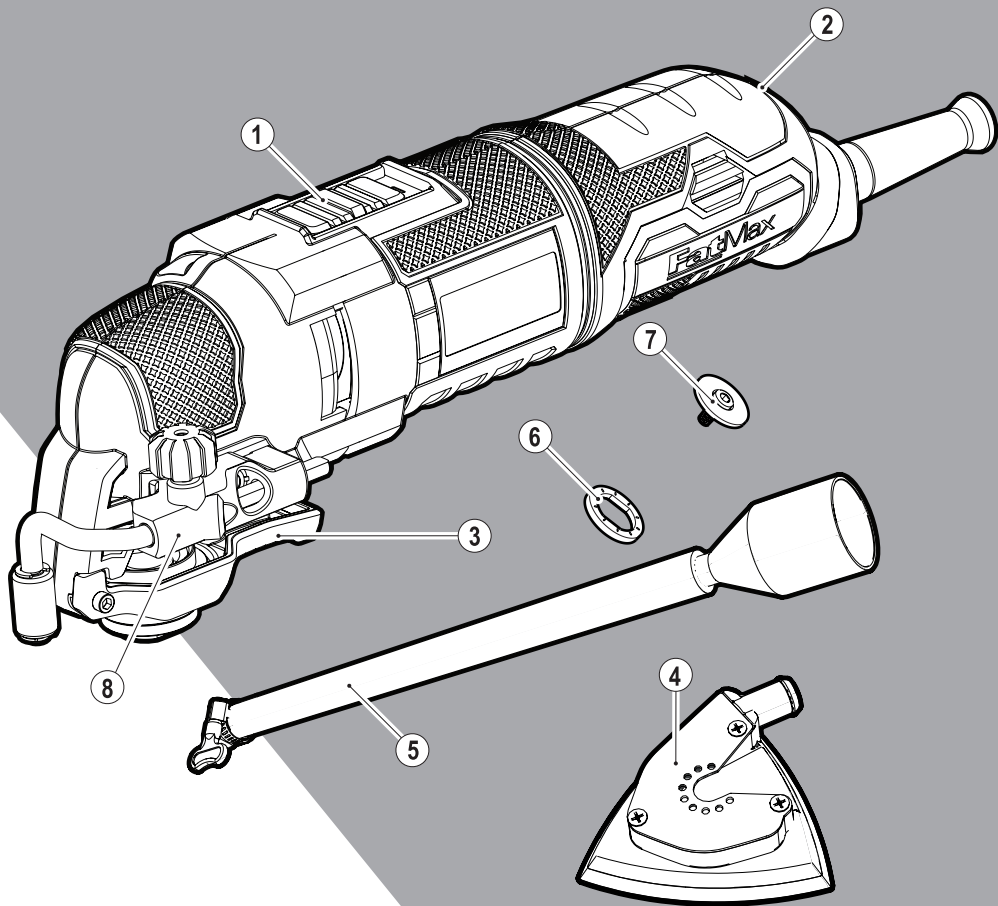


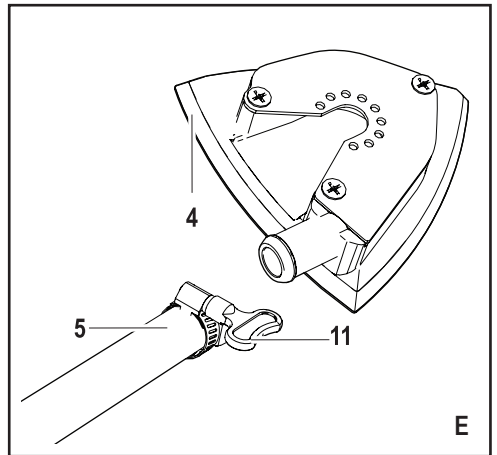
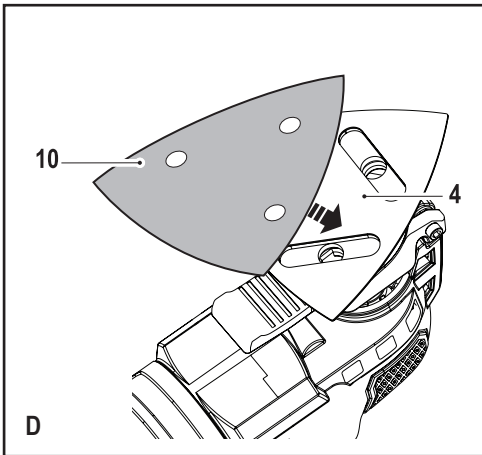
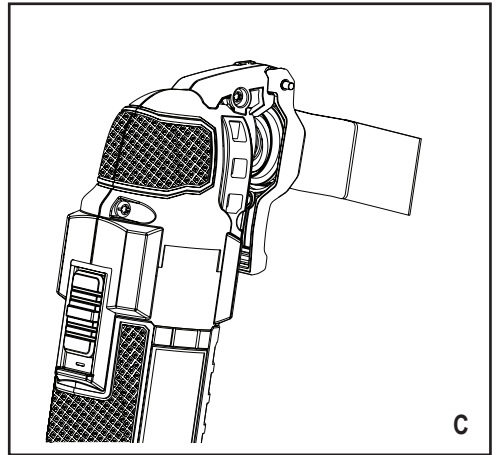
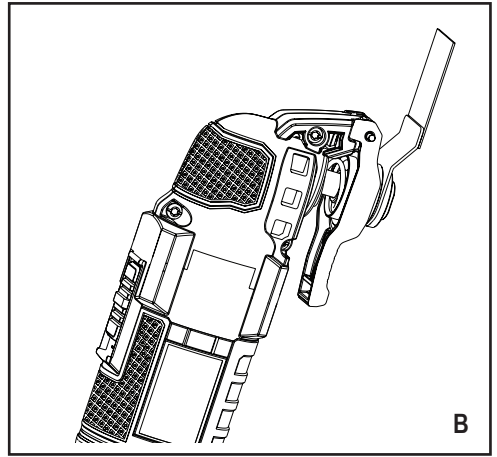
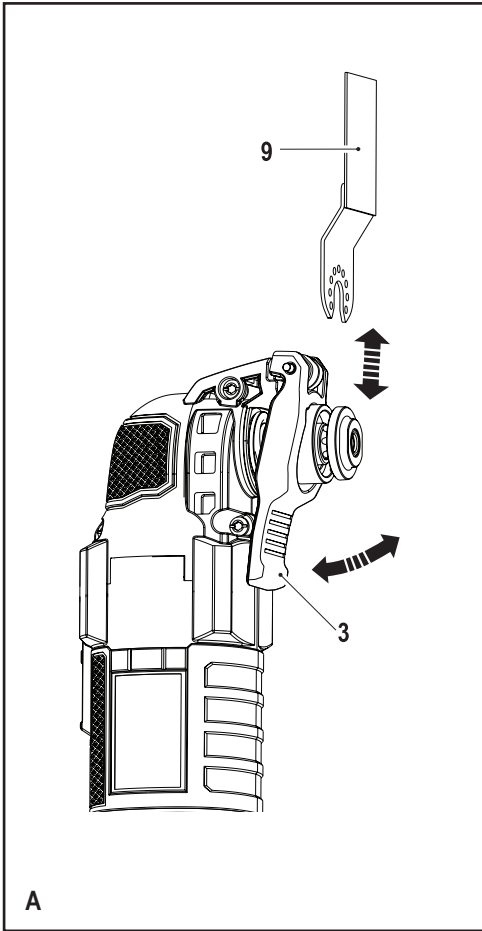
STANLEY[®]

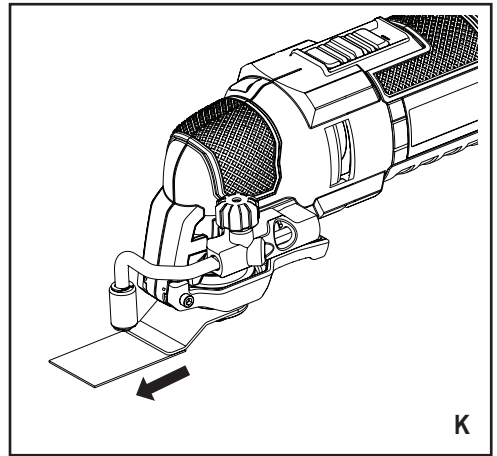
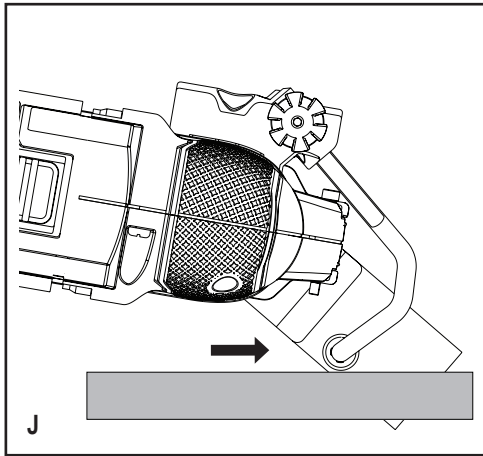
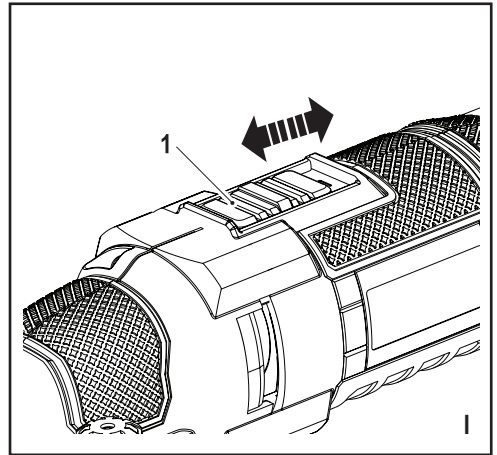
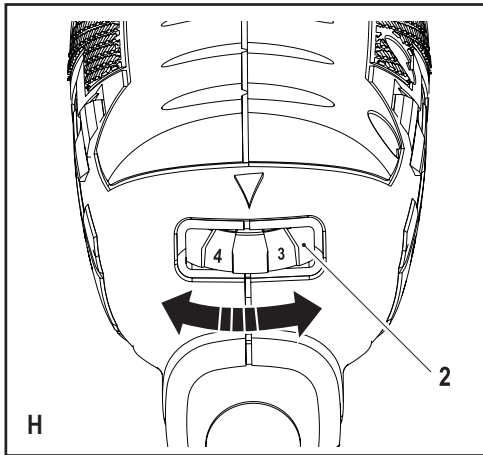
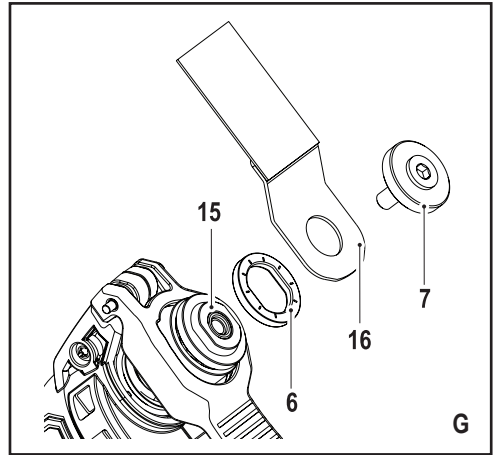
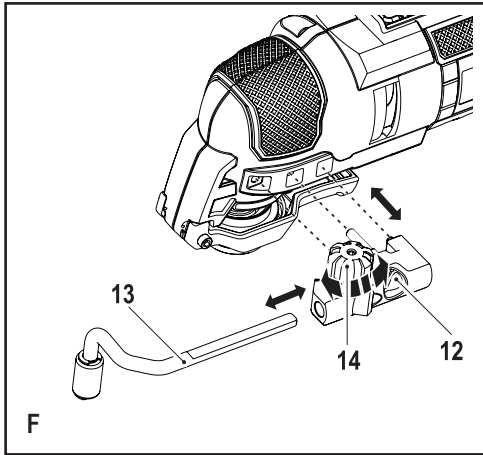
FATMAX[®]



www.stanleytools.com.au
www.stanleytools.co.nz

FME650





Intended use

Your STANLEY FATMAX FME650 oscillating tool has been designed for DIY applications such as sanding operations. It is also suitable for cutting wooden materials, plastic, gypsum, non-ferrous metals and fastening elements (e.g., unhardened nails, staples), working soft wall tiles and scraping of small surfaces. This tool is intended for professional and private, non professional users.

Safety instructions

General power tool safety warnings



Warning! Read all safety warnings, instructions, illustrations and specifications provided with this power tool. Failure to follow all instructions listed below may result in electric shock, fire and/or serious injury.

Save all warnings and instructions for future reference.

The term "power tool" in all of the warnings listed below refers to your mains operated (corded) power tool or battery operated (cordless) power tool.

1. Work area safety

- a. **Keep work area clean and well lit.** Cluttered or dark areas invite accidents.
- b. **Do not operate power tools in explosive atmospheres, such as in the presence of flammable liquids, gases or dust.** Power tools create sparks which may ignite the dust or fumes.
- c. **Keep children and bystanders away while operating a power tool.** Distractions can cause you to lose control.

2. Electrical safety

- a. **Power tool plugs must match the outlet. Never modify the plug in any way.**
Do not use any adapter plugs with earthed (grounded) power tools. Unmodified plugs and matching outlets will reduce risk of electric shock.
- b. **Avoid body contact with earthed or grounded surfaces such as pipes, radiators, ranges and refrigerators.** There is an increased risk of electric shock if your body is earthed or grounded.
- c. **Do not expose power tools to rain or wet conditions.** Water entering a power tool will increase the risk of electric shock.
- d. **Do not abuse the cord. Never use the cord for carrying, pulling or unplugging the power tool. Keep cord away from heat, oil, sharp edges or moving parts.** Damaged or entangled cords increase the risk of electric shock.
- e. **When operating a power tool outdoors, use an extension cord suitable for outdoor use.** Use of a cord suitable for outdoor use reduces the risk of electric shock.

- f. **If operating a power tool in a damp location is unavoidable, use a residual current device (RCD) protected supply.** Use of an RCD reduces the risk of electric shock.

3. Personal safety

- a. **Stay alert, watch what you are doing and use common sense when operating a power tool. Do not use a power tool while you are tired or under the influence of drugs, alcohol or medication.** A moment of inattention while operating power tools may result in serious personal injury.
- b. **Use personal protective equipment. Always wear eye protection.** Protective equipment such as a dust mask, non-skid safety shoes, hard hat, or hearing protection used for appropriate conditions will reduce personal injuries.
- c. **Prevent unintentional starting. Ensure the switch is in the off-position before connecting to power source and/or battery pack, picking up or carrying the tool.** Carrying power tools with your finger on the switch or energising power tools that have the switch on invites accidents.
- d. **Remove any adjusting key or wrench before turning the power tool on.** A wrench or a key left attached to a rotating part of the power tool may result in personal injury.
- e. **Do not overreach. Keep proper footing and balance at all times.** This enables better control of the power tool in unexpected situations.
- f. **Dress properly. Do not wear loose clothing or jewellery. Keep your hair and clothing away from moving parts.** Loose clothes, jewellery or long hair can be caught in moving parts.
- g. **If devices are provided for the connection of dust extraction and collection facilities, ensure these are connected and properly used.** Use of dust collection can reduce dust-related hazards.
- h. **Do not let familiarity gained from frequent use of tools allow you to become complacent and ignore tool safety principles.** A careless action can cause severe injury within a fraction of a second.

4. Power tool use and care

- a. **Do not force the power tool. Use the correct power tool for your application.**
The correct power tool will do the job better and safer at the rate for which it was designed.
- b. **Do not use the power tool if the switch does not turn it on and off.** Any power tool that cannot be controlled with the switch is dangerous and must be repaired.
- c. **Disconnect the plug from the power source and/or remove the battery pack, if detachable, from the power tool before making any adjustments,**

changing accessories, or storing power tools. Such preventive safety measures reduce the risk of starting the power tool accidentally.

d. Store idle power tools out of the reach of children and do not allow persons unfamiliar with the power tool or these instructions to operate the power tool. Power tools are dangerous in the hands of untrained users.

e. Maintain power tools and accessories. Check for misalignment or binding of moving parts, breakage of parts and any other condition that may affect the power tools operation. If damaged, have the power tool repaired before use. Many accidents are caused by poorly maintained power tools.

f. Keep cutting tools sharp and clean. Properly maintained cutting tools with sharp cutting edges are less likely to bind and are easier to control.

g. Use the power tool, accessories and tool bits etc. in accordance with these instructions, taking into account the working conditions and the work to be performed.

Use of the power tool for operations different from those intended could result in a hazardous situation.

h. Keep handles and grasping surfaces dry, clean and free from oil and grease. Slippery handles and grasping surfaces do not allow for safe handling and control of the tool in unexpected situations.

5. Service

a. Have your power tool serviced by a qualified repair person using only identical replacement parts. This will ensure that the safety of the power tool is maintained.

b. Power to the tool should always be supplied via residual current device with a rated residual current of 30mA or less.

Additional safety warnings for oscillating tools

- **Hold power tool by insulated gripping surfaces when performing an operation where the cutting accessory may contact hidden wiring.** Cutting accessory contacting a "live" wire may make exposed metal parts of the power tool "live" and could give the operator an electric shock

- **Use clamps or another practical way to secure and support the workpiece to a stable platform.** Holding the workpiece by hand or against your body leaves it unstable and may lead to loss of control.



Warning! Contact with or inhalation of dusts arising from sanding applications may endanger the health of the operator and possible bystanders. Wear a dust mask specifically designed for protection against dust and fumes and ensure that persons within or entering the work area are also protected.

- Thoroughly remove all dust after sanding.

- Take special care when sanding paint which is possibly lead based or when sanding some woods and metal which may produce toxic dust:
 - ◆ Do not let children or pregnant women enter the work area.
 - ◆ Do not eat, drink or smoke in the work area.
 - ◆ Dispose of dust particles and any other debris safely.
- The intended use is described in this instruction manual. The use of any accessory or attachment or performance of any operation with this tool other than those recommended in this instruction manual may present a risk of personal injury and/or damage to property.
- The accessory will continue to move after releasing the switch. Always switch the tool off and wait for the accessory to come to a complete standstill before putting the tool down.
- **Keep hands away from cutting area.** Never reach underneath the work piece for any reason. Do not insert fingers or thumb into the vicinity of the reciprocating blade and blade clamp. Do not stabilize the saw by gripping the shoe.
- **Keep blades sharp.** Dull or damaged blades may cause the saw to swerve or stall under pressure. Always use the appropriate type of saw blade for the workpiece material and type of cut.
- When cutting pipe or conduit, make sure that they are free from water, electrical wiring, etc.
- Do not touch the workpiece or the blade immediately after operating the tool. They can become very hot.
- Be aware of hidden hazards, before cutting into walls, floors or ceilings, check for the location of wiring and pipes.

Safety of others

- This appliance is not intended for use by persons (including children) with reduced physical, sensory or mental capabilities, or lack of experience and knowledge, unless they have been given supervision or instruction concerning use of the appliance by a person responsible for their safety.
- Children should be supervised to ensure that they do not play with the appliance.

Residual risks.

Additional residual risks may arise when using the tool which may not be included in the enclosed safety warnings. These risks can arise from misuse, prolonged use etc.

Even with the application of the relevant safety regulations and the implementation of safety devices, certain residual risks can not be avoided. These include:

- Injuries caused by touching any rotating/moving parts.
- Injuries caused when changing any parts, blades or accessories.
- Injuries caused by prolonged use of a tool. When using any tool for prolonged periods ensure you take regular breaks.
- Impairment of hearing.

- Health hazards caused by breathing dust developed when using your tool (example:- working with wood, especially oak, beech and MDF.)

Vibration

The declared vibration emission values stated in the technical data and the declaration of conformity have been measured in accordance with a standard test method provided by EN62841 and may be used for comparing one tool with another. The declared vibration emission value may also be used in a preliminary assessment of exposure.



Warning! The vibration emission value during actual use of the power tool can differ from the declared value depending on the ways in which the tool is used. The vibration level may increase above the level stated.

When assessing vibration exposure to determine safety measures required by 2002/44/EC to protect persons regularly using power tools in employment, an estimation of vibration exposure should consider, the actual conditions of use and the way the tool is used, including taking account of all parts of the operating cycle such as the times when the tool is switched off and when it is running idle in addition to the trigger time.

Labels on tool

The following symbols are shown on the tool along with the date code:



Warning! To reduce the risk of injury, the user must read the instruction manual.



Warning! Always wear a dust mask when using this tool.

Electrical safety



This tool is double insulated; therefore no earth wire is required. Always check that the power supply corresponds to the voltage on the rating plate.

- If the supply cord is damaged, it must be replaced by the manufacturer or an authorised STANLEY FATMAX Service Centre in order to avoid a hazard.

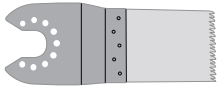
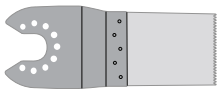
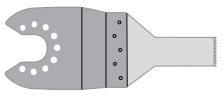
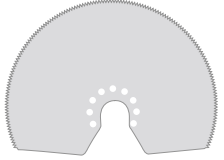
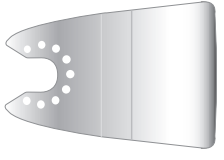

Features

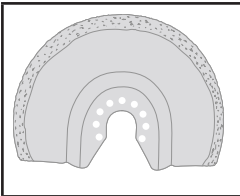
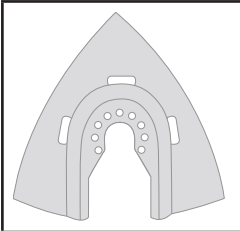
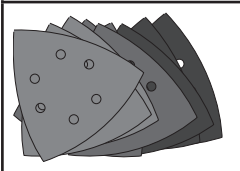
This tool includes some or all of the following features.

- On/Off switch
- Variable speed dial
- Super-lok™ Tool free accessory clamping lever
- Sanding base
- Dust extraction adapter (fig. E Where supplied)
- Tooled accessory adapter (spacer)
- Tooled accessory adapter (Fixing bolt)
- Cut/Depth guide

Accessories

This tool includes some or all of the following accessories. The performance of your tool depends on the accessory used. STANLEY FATMAX accessories are engineered to high quality standards and designed to enhance the performance of your tool. By using these accessories you will get the very best from your tool.

	<p>Precision plunge cut saw blade for wooden materials, soft plastics. (Part number - STA26105-XJ)</p> <p>Separating, plunge and flush cutting of wood and soft plastics. Ideal for working on doors, skirting boards, windowsills and flooring.</p>
	<p>Plunge cut saw blade for wood and metal. (Part number - STA26110-XJ)</p> <p>Separating, plunge and flush cutting of wood, plastics, thin-walled non-ferrous pipes and extrusions, nails and screws.</p>
	<p>Plunge cut saw blade for wood and metal. (Part number - STA26115-XJ)</p> <p>Separating, plunge and flush cutting of wood, plastics, thin-walled non-ferrous pipes and extrusions.</p>
	<p>Segmented saw blade. (Part number - STA26120-XJ)</p> <p>Long life blade which is ideal for cutting wood, plastics, thin walled ferrous and non-ferrous material.</p>
	<p>Rigid scraper. (Part number - STA26135-XJ)</p> <p>Ideal for removal of hard and soft material from flat surfaces such as the removal of vinyl flooring, bonded carpet adhesive, tile floor adhesive, grout, paint and varnish.</p>
	<p>Flexible scraper. (Part number - STA26140-XJ)</p> <p>Ideal for removal of elastomer materials from hard flat surfaces in difficult to reach areas such as silicon sealant and other caulking materials.</p>

	<p>Carbide grout removal blade. (Part number - STA26125-XJ)</p> <p>Carbide coated surface ideal for clearing grout and tile adhesive from flat surfaces and for fast stock removal of wood, chipboard and fibreglass.</p>
	<p>Carbide rasp. (Part number - STA26130-XJ)</p> <p>Carbide coated surface ideal for grout removal and for fast stock removal of plastics, chipboard and fibreglass.</p>
	<p>Sanding Sheets. (Part number - STA32348-XJ)</p> <p>Various grades for sanding of wood, painted and varnished surfaces.</p>

Assembly

Fitting and removing the accessories (fig. A–G)



Warning! Before fitting an accessory, disconnect the tool from the mains supply.

Fitting a STANLEY FATMAX accessory (fig. A–C)

- Hold the tool and squeeze the accessory clamping lever (3).
- Slide the accessory (9) between the shaft and the accessory holder making sure the accessory engages all eight pins on the holder and is flush with the shaft.
- Release the accessory clamping lever.

Note: Some accessories, such as scrapers and blades can be mounted at an angle if required (fig. C).

Removing a STANLEY FATMAX accessory accessory (fig. A)

- Hold the tool and squeeze the accessory clamping lever (3).
- Pull the accessory from the tool making sure the accessory dis-engages from all eight pins on the holder.
- Release the accessory clamping lever.



Warning! Gloves must be worn when removing accessories as they may become hot during use.

Fitting a sanding sheet (fig. D)

- Line up the sanding sheet (10) with the sanding base (4) as shown.
- Press the sheet firmly and evenly onto the sanding base, making sure that the holes in the sheet coincide with the holes in the base.

Removing a sanding sheet

- Pull the sanding sheet off the sanding base (4).



Warning! Never use the sanding base without a sanding sheet or accessory in place.

Fitting the dust extraction adaptor (fig. E)

- Line up the dust extraction adaptor (5) with the sanding base (4) as shown.
- Press the adaptor firmly and evenly in to the sanding base.
- Secure the adaptor by turning the locking nut (11) clockwise.
- Connect a vacuum cleaner to the dust extraction adaptor.

Removing the dust extraction adaptor

- Turn the locking nut (11) anti-clockwise.
- Pull the dust extraction adaptor (5) out of the sanding base (4).

Fitting the depth/cut guide (fig. F)

The depth/cut guide allows you to precisely cut material at a specified depth and more accurately track a marked cut line.

- Attach the depth/cut block (8) by inserting the tabs on the guide into the slots on the main body.
- Secure the block to the main body with the bolt (12) and tighten with the supplied hex wrench.
- Insert the guide (13) into the required position and secure by turning the depth/cut adjustment knob (14) clockwise.

Fitting alternative accessories (fig. G)

- Place the spacer (6) onto the collar (15).
- Place the alternative accessory (16) onto the collar (15).
- Firmly attach the fixing bolt (7) into place to ensure a tight fit for the alternative accessory (16).

Note: The spacer and fixing bolt are not used to attach STANLEY FATMAX accessories. STANLEY FATMAX accessories are attached using the Super-lok™ Tool free accessory clamping lever.

Use



Warning! Let the tool work at its own pace. Do not overload.



Warning! Before cutting into walls, floors or ceilings, check for the location of wiring and pipes.

Variable speed control (fig. H)

The variable speed control allows you to adapt the speed of the tool to the application.

- Set the variable speed dial (2) to the desired setting. At setting 1 the tool will operate at low speed, 10,000 min⁻¹. At setting 6 the tool will operate at the maximum speed, 22,000 min⁻¹.

Switching on and off (fig. I)

- To switch the tool on, slide the on/off switch (1) forward (position I).
- To switch the tool off, slide the on/off switch (1) to the rear (position O).

Cut guide (fig. F & J)

This feature allows you to more accurately track a marked cut line.

- To use the cut guide, insert the guide (13) as shown in figure J into the front slot on the depth/cut guide block (8).

- Adjust the length of the guide by pulling out or pushing inward to achieve the desired cut depth.
- Secure the guide in place by turning the depth/cut adjustment knob (12) clockwise. To release the guide turn the depth/cut adjustment knob anti-clockwise.

Depth guide (fig. F & K)

This feature allows you to precisely cut material at a specified depth.

- To use the depth guide, insert the guide (13) as shown in figure K into the front slot on the depth/cut guide block (8).
- Adjust the length of the guide by pulling out or pushing inward to achieve the desired cut depth.
- Secure the guide in place by turning the depth/cut adjustment knob (12) clockwise. To release the guide turn the depth/cut adjustment knob anti-clockwise.

Hints for optimum use

- Always hold the tool securely. For precision work, hold the tool near the front.
- Clamp the workpiece whenever possible, especially when using cutting blades.
- Do not exert too much pressure on the tool.
- Always use the appropriate type of attachment for the workpiece material and type of cut.
- Regularly check the condition of accessories. Replace when necessary.
- Mark the desired starting point.
- Switch the tool on and slowly feed attachments into the workpiece at the desired starting point.
- Clamp a piece of plywood or soft wood to the back of the workpiece and saw through the combination in order to obtain a clear cut.
- Do not force the cutting blade into the workpiece. Note that cutting sheet metal will normally take more time than sawing thicker wooden workpieces.
- When cutting metal spread a thin film of oil along the cutting line before cutting.
- When sanding new layers of paint before applying another layer, use extra fine grit.
- On very uneven surfaces, or when removing layers of paint, start with a coarse grit. On other surfaces, start with a medium grit. In both cases, gradually change to a fine grit for a smooth finish.
- Consult your retailer for more information on available accessories.

Maintenance

Your STANLEY FATMAX tool has been designed to operate over a long period of time with a minimum of maintenance. Continuous satisfactory operation depends upon proper tool care and regular cleaning.



Warning! Before performing any maintenance on the tool, unplug the tool. Unplug the charger before cleaning it.

- Regularly clean the ventilation slots in your tool using a soft brush or dry cloth.
- Regularly clean the motor housing using a damp cloth.

Do not use any abrasive or solvent-based cleaner.

Protecting the environment



Separate collection. Products and batteries marked with this symbol must not be disposed of with normal household waste.

Products and batteries contain materials that can be recovered or recycled, reducing demand for raw materials. Please recycle electrical products and batteries according to local provisions. Further information is available at www.2helpU.com

Technical data

FME650		
Voltage	V _{sc}	230
No-load speed	min ⁻¹	10,000-22,000
Oscillating angle	Degrees	1.4 - 2.8
Power	W	300
Weight	kg	1.53

Level of sound pressure according to EN62841:

Sound pressure (L_p) 94.2 dB(A), uncertainty (K) 3 dB(A)

Sound power (L_w) 105.2 dB(A), uncertainty (K) 3 dB(A)

Vibration total values (triax vector sum) according to EN62841:

Cutting wood (a_{h, cut}) 7.9 m/s², uncertainty (K) 1.5 m/s²

Cutting metal (a_{h, cut}) 7.9 m/s², uncertainty (K) 1.5 m/s²

Sanding (a_h) 8.2 m/s², uncertainty (K) 1.5 m/s²

EC declaration of conformity

MACHINERY DIRECTIVE



FME650 oscillating tool

STANLEY FATMAX declares that these products described under "technical data" are in compliance with:
EN62841-1:2015 , EN62841-2-4:2014.

These products also comply with Directive 2006/42/EC, 2014/30/EU and 2011/65/EU. For more information, please contact STANLEY FATMAX at the following address or refer to the back of the manual.

The undersigned is responsible for compilation of the technical file and makes this declaration on behalf of STANLEY FATMAX .

Patrick Diepenbach

Patrick Diepenbach
General Manager, Benelux
STANLEY FATMAX,
Stanley, Richard-Klinger-Strasse 11,
65510 Idstein, Germany
30/04/2019

Australia & New Zealand
Stanley Black & Decker
www.stanleytools.com.au
www.stanleytools.co.nz
Tel. 1800 338 002 (Aust) or Tel. 0800 339 258 (NZ)
810 Whitehorse Road Box Hill VIC 3128, Australia

NA485663
10/2023