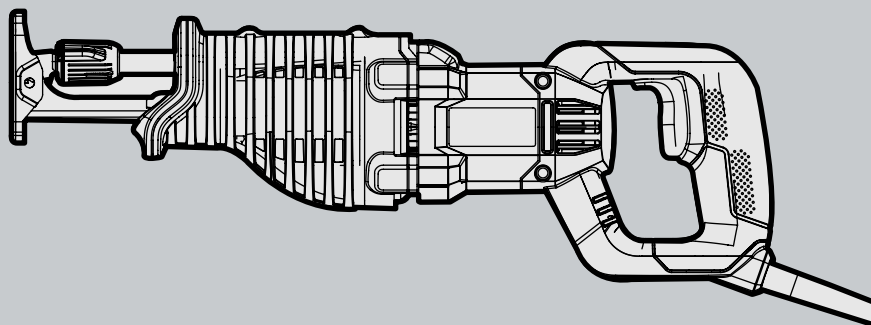
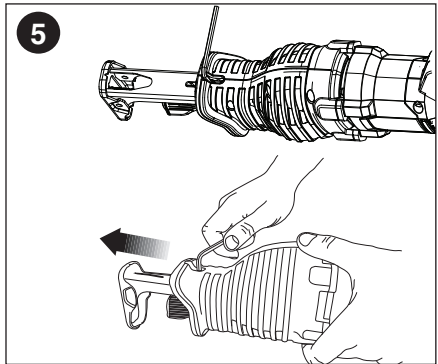
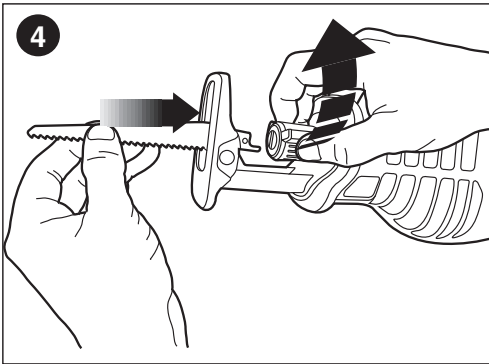
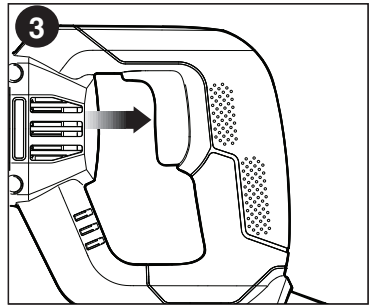
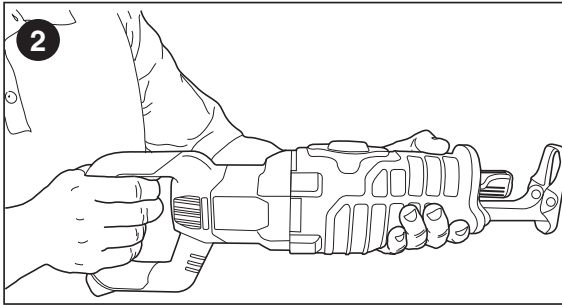
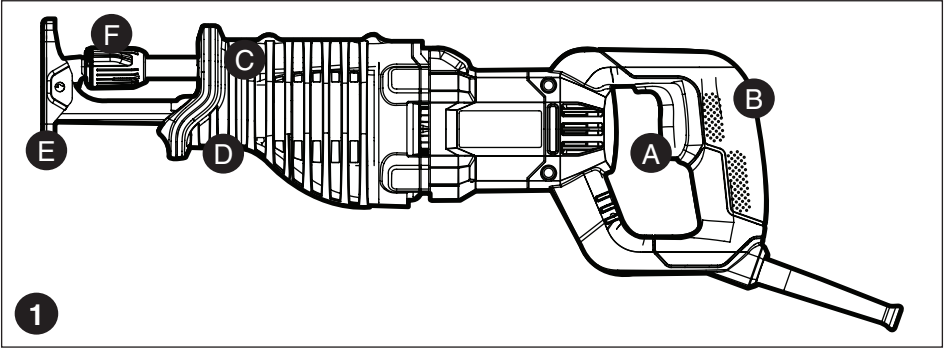


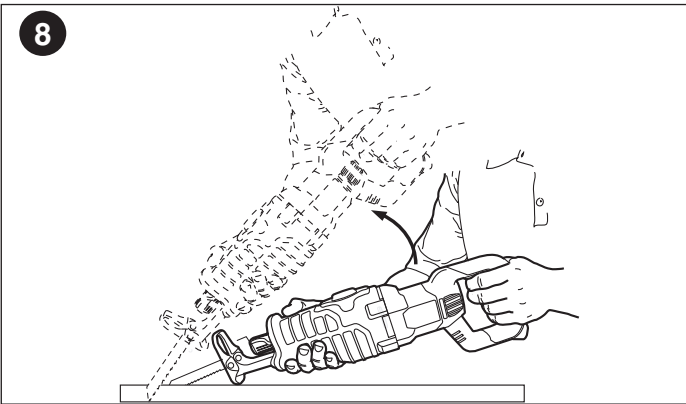
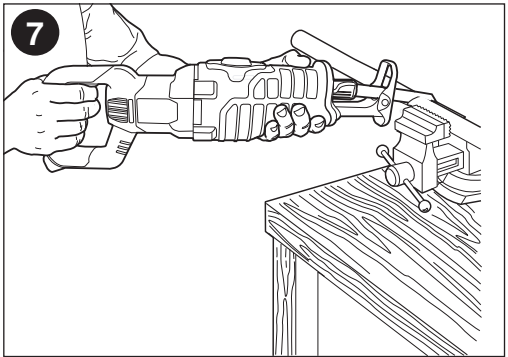
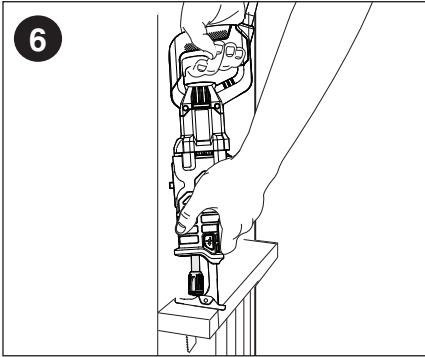
# STANLEY



**STEL365**  
**STPT0900**

English (Original)	3
Indonesia	8
ภาษาไทย	12
Tiếng Việt	16





# STEL365/STPT0900 Reciprocating Saw

## TECHNICAL DATA

SPECIFICATION		STEL365/STPT0900
POWER	W	900
VOLTAGE	V	220-240
NO-LOAD SPEED	/min	0-3200
Weight	KG	3.2

## INTENDED USE

Your Stanley hand-held saw has been designed for sawing wood, plastics and sheet metal.

## GENERAL POWER TOOL SAFETY WARNINGS

**WARNING! Read all safety warnings and all instructions.**

Failure to follow the warnings and instructions may result in electric shock, fire and/or serious injury.

**Save all warnings and instructions for future reference.**

The term "power tool" in the warnings refers to your mains-operated (corded) power tool or battery-operated (cordless) power tool.

## SAVE THESE INSTRUCTIONS

- 1. Work area safety**
  - a. Keep work area clean and well lit.** Cluttered and dark areas invite accidents.
  - b. Do not operate power tools in explosive atmospheres, such as in the presence of flammable liquids, gases or dust.** Power tools create sparks which may ignite the dust or fumes.
  - c. Keep children and bystanders away while operating a power tool.** Distractions can cause you to lose control.
- 2. Electrical safety**
  - a. Power tool plugs must match the outlet. Never modify the plug in any way. Do not use any adapter plugs with earthed (grounded) power tools.** Unmodified plugs and matching outlets will reduce risk of electric shock.
  - b. Avoid body contact with earthed or grounded surfaces such as pipes, radiators, ranges and refrigerators.** There is an increased risk of electric shock if your body is earthed or grounded.
  - c. Do not expose power tools to rain or wet conditions.** Water entering a power tool will increase the risk of electric shock.
  - d. Do not abuse the cord. Never use the cord for carrying, pulling or unplugging the power tool. Keep cord away from heat, oil, sharp edges or moving parts.** Damaged or entangled cords increase the risk of electric shock.
  - e. When operating a power tool outdoors, use an extension cord suitable for outdoor use.** Use of a cord suitable for outdoor use reduces the risk of electric shock.
- f. If operating a power tool in a damp location is unavoidable, use a residual current device (RCD) protected supply.** Use of an RCD reduces the risk of electric shock.
- 3. Personal safety.**
  - a. Stay alert, watch what you are doing and use common sense when operating a power tool. Do not use a power tool while you are tired or under the influence of drugs, alcohol or medication.** A moment of inattention while operating power tools may result in serious personal injury.
  - b. Use personal protective equipment. Always wear eye protection.** Protective equipment such as dust mask, non-skid safety shoes, hard hat, or hearing protection used for appropriate conditions will reduce personal injuries.
  - c. Prevent unintentional starting. Ensure the switch is in the off-position before connecting to power source and/or battery pack, picking up or carrying the tool.** Carrying power tools with your finger on the switch or energising power tools that have the switch on invites accidents.
  - d. Remove any adjusting key or wrench before turning the power tool on.** A wrench or a key left attached to a rotating part of the power tool may result in personal injury.
  - e. Do not overreach. Keep proper footing and balance at all times.** This enables better control of the power tool in unexpected situations.
  - f. Dress properly. Do not wear loose clothing or jewellery. Keep your hair, clothing and gloves away from moving parts.** Loose clothes, jewellery or long hair can be caught in moving parts.
  - g. If devices are provided for the connection of dust extraction and collection facilities, ensure these are connected and properly used.** Use of dust collection can reduce dust related hazards.
- 4. Power tool use and care**
  - a. Do not force the power tool. Use the correct power tool for your application.** The correct power tool will do the job better and safer at the rate for which it was designed.
  - b. Do not use the power tool if the switch does not turn it on and off.** Any power tool that cannot be controlled with the switch is dangerous and must be repaired.
  - c. Disconnect the plug from the power source and/or the battery pack from the power tool before making any adjustments, changing accessories, or storing power tools.** Such preventive safety measures reduce the risk of starting the power tool accidentally.
  - d. Store idle power tools out of the reach of children and do not allow persons unfamiliar with the power tool or these instructions to**

**operate the power tool.** Power tools are dangerous in the hands of untrained users.

- e. **Maintain power tools. Check for misalignment or binding of moving parts, breakage of parts and any other condition that may affect the power tool's operation. If damaged, have the power tool repaired before use.** Many accidents are caused by poorly maintained power tools.
- f. **Keep cutting tools sharp and clean.** Properly maintained cutting tools with sharp cutting edges are less likely to bind and are easier to control.
- g. **Use the power tool, accessories and tool bits etc., in accordance with these instructions, taking into account the working conditions and the work to be performed.** Use of the power tool for operations different from those intended could result in a hazardous situation.

## 5. Service

- a. **Have your power tool serviced by a qualified repair person using only identical replacement parts.** This will ensure that the safety of the power tool is maintained.

## Additional power tool safety warnings



Warning! Additional safety warnings for hand-held saws.

- **Hold power tool by insulated gripping surfaces, when performing an operation where the cutting accessory may contact hidden wiring or its own cord.** Cutting accessory contacting a "live" wire may make exposed metal parts of the power tool "live" and could give the operator an electric shock.
- **Use clamps or another practical way to secure and support the work piece to a stable platform.** Holding the work by hand or against your body leaves it unstable and may lead to loss of control.
- **Hold saw firmly with both hands for all cutting operations.** During cutting operations, the blade may suddenly bind in the work and may cause the saw to kickback towards the operator.
- **Keep hands away from cutting area.** Never reach underneath the material for any reason. Hold front of saw by grasping the contoured gripping area. Do not insert fingers or thumb into the vicinity of the reciprocating blade and blade clamp. Do not stabilize the saw by gripping the shoe.
- **Keep blades sharp.** Dull blades may cause the saw to swerve or stall under pressure.
- **Use extra caution when cutting overhead** and pay particular attention to overhead wires, gas or water lines, which may be hidden from view. Anticipate the path of falling branches and debris ahead of time.

- **When cutting pipe or conduit** ensure that they are free from water, electrical wiring, etc.
- **Do not touch the work piece or the blade immediately after operating the tool.** They can become very hot.

## Labels on tools



**Warning!** To reduce the risk of injury, the user must read the instruction manual.

## Electrical safety






This tool is double insulated; therefore no earth wire is required. Always check that the power supply corresponds to the voltage on the rating plate.

- This appliance is not intended for use by young or infirm persons without supervision. Children must be supervised to ensure they do not play with the appliance.
- If the supply cord is damaged, it must be replaced by the manufacturer or an authorised Stanley Service Centre in order to avoid a hazard.

## Symbols

The label on your tool may include the following symbols:

V	volts
A	Amperes
Hz	Hertz
W	Watts
min.	Minutes
~	Alternating current
—	Direct current
$n_0$	No load speed
	Class II Construction
	Earthing terminal
	Safety alert symbol
.../min	Revolutions or reciprocation per minute
.../bpm	Beats per minute

## Features (Fig. 1)

- A. Trigger Switch
- B. Main Handle
- C. Secondary Gripping Handle
- D. Adjustable Shoe Screws
- E. Adjustable Shoe
- F. Blade Clamp

## Assembly and Adjustment

**⚠ WARNING: CUT HAZARD.** Turn off and disconnect tool from power source before making any adjustments or removing or installing attachments or accessories.

**⚠ WARNING:** Hold saw firmly with both hands for all cutting operations.

**⚠ WARNING:** Inspect work area for hidden electrical wiring, gas pipes or water pipes before making blind or plunge cuts. Failure to do so may result in electrical shock, fire, explosion, or property damage.

**⚠ WARNING: CUTHAZARD.** Blade breakage may occur if the blade does not extend past the shoe and the workpiece during the cut. Increased risk of personal injury, as well as damage to the shoe and workpiece may result.

**⚠ WARNING: ALWAYS use safety glasses.** Everyday eyeglasses are NOT safety glasses. Also use face or dust mask if cutting operation is dusty. ALWAYS WEAR CERTIFIED SAFETY EQUIPMENT.

**⚠ WARNING: CUT HAZARD.** Before cutting any type of material, be sure it is firmly anchored or clamped to prevent slipping.

- Switch on saw motor before applying pressure.
- Place blade lightly against work to be cut.

**⚠ WARNING: CUT HAZARD.** Never hold and use the product with your fingers wrapped around shoe adjustment button. Always hold saw firmly with both hands while cutting as shown in **Figure 2**. Whenever possible, the saw shoe must be held firmly against the material being cut. This will prevent the saw from jumping or vibrating and minimize blade breakage.

### VARIABLE SPEED SWITCH (fig.3)

The variable speed trigger switch will give you added versatility. The further the trigger is depressed the higher the speed of the saw. To turn the tool "OFF" release the trigger.

**⚠ WARNING: CUTHAZARD.** This tool has no provision to lock the switch in the ON position, and should never be locked in the ON position by any other means.

### BLADE INSTALLATION AND REMOVAL (fig.4)

**⚠ WARNING: CUT HAZARD.** Turn off and disconnect tool from power source before making any adjustments or removing or installing attachments or accessories.

The blade should extend past the shoe and the thickness of the workpiece during the cut. Select the blade best suitable for the material to be cut and use the shortest blade suitable for the thickness of the material. Do not use jigsaw blades with this tool.

**⚠ WARNING: CUT HAZARD.** Blade breakage may occur if the blade does not extend past the shoe and the workpiece during the cut. Increased risk of personal injury, as well as damage to the shoe and workpiece may result.

### TO INSTALL BLADE INTO SAW

1. Point tool away from body.
2. Rotate blade clamp collar in the direction shown in fig.4.
3. Insert blade shank fully into blade clamp collar.
4. Release blade clamp collar to lock blade into position.

**NOTE:** Blade can be installed with the teeth up to assist in flush-to-cutting.

### TO REMOVE BLADE FROM SAW

**⚠ WARNING: CUTHAZARD.** Turn off and disconnect tool from power source before making any adjustments or removing or installing attachments or accessories.

**⚠ WARNING: Burn hazard.** Do not touch the blade immediately after use. Contact with the blade may result in personal injury.

1. Rotate blade clamp collar to release position.
2. Remove blade.

### ADJUSTABLE SHOE (fig.5)

**⚠ WARNING: CUT HAZARD.** Blade breakage may occur if the blade does not extend past the shoe and the workpiece during the cut. Increased risk of personal injury, as well as damage to the shoe and workpiece may result.

**⚠ WARNING: CUT HAZARD.** Turn off and disconnect tool from power source before making any adjustments or removing or installing attachments or accessories. The shoe will adjust to limit the depth of cut. Using a M4(5/32in.) hex wrench (not supplied), loosen the screws (Figure5) and slide the shoe out to the desired depth then retighten screws securely.

**⚠ CAUTION: CUTHAZARD.** To prevent loss of control, never use tool without shoe.

**⚠ CAUTION: RISK OF PERSONAL INJURY AND PROPERTY DAMAGE.** Ensure the shoe is locked into position before using tool.

### FLUSH CUTTING (fig.6)

- The compact design of the reciprocating saw motor housing and pivoting shoe permit close cutting to floors, corners and other difficult areas.
- To maximize flush cutting capabilities, insert the blade shaft into the blade clamp with the teeth of the blade facing up.
- Turn the saw upside down so you are as close to the work surface as possible.

## METALCUTTING (fig.7)

- Use a finer blade for ferrous metals and a coarse blade for non-ferrous materials.
- In thin gauge sheet metals it is best to clamp wood to the underside of the sheet. This will ensure a clean cut without excess vibration or tearing of metal.
- Avoid forcing cutting blade as this reduces blade life and causes costly blade breakage.

**NOTE:** Spread a thin film of oil or other coolant along the line ahead of the saw cut for easier operation and longer blade life.

## POCKET CUTTING-WOODONLY (fig.8)

- Measure the surface area to be cut and mark clearly with a pencil, chalk or scribe.
- Insert blade in blade clamp and tighten blade clamp securely.
- Tip the saw backward until the back edge of the shoe is resting on the work surface and the fully extended moving blade will clear the surface.
- Grip unit with both hands, switch motor on permitting blade to obtain maximum speed.
- Begin a slow, deliberate upward swing with the main handle of the saw.
- The blade will begin to feed into material. Always be sure blade is completely through material before continuing with pocket cut.

**NOTE:** In areas where blade visibility is limited, use the edge of the shoe as a guide.

## PROJECT TIPS

- Cut only with sharp blades; they cut cleaner, faster and put less strain on the motor while cutting.
- When cutting, always ensure that the shoe is held firmly against the workpiece and the workpiece is secured from moving/deflecting. This will improve operator control and minimize vibration.
- For longer blade life, use bi-metal blades. These utilize a carbon steel back welded to high speed steel teeth making the blade more flexible and less prone to breaking.

## ACCESSORIES

This saw will accept up to a 12 inch long blade. Always use the shortest blade suitable for your project but long enough to keep the blade cutting through the material. Longer blades are more likely to be bent or damaged during use. During operation some longer blades may vibrate or shake if the saw is not kept in contact with the workpiece.

**⚠ WARNING:** Since accessories, other than those offered by Stanley, have not been tested with this product, use of such accessories with this tool could be hazardous. To reduce the risk of injury, only Stanley recommended accessories should be used with this product.

## Maintenance

Your Stanley tool has been designed to operate over a long period of time with a minimum of maintenance. Continuous satisfactory operation depends upon proper tool care and regular cleaning.

**Warning!** Before performing any maintenance, switch off and unplug the tool.

- Regularly clean the ventilation slots in your tool using a soft dry brush or dry cloth.
- Regularly clean the motor housing using a clean damp cloth. Do not use any abrasive or solvent-based cleaner.

## Service Information

Stanley offers a full network of company-owned and authorized service locations throughout Asia. All Stanley Service Centers are staffed with trained personnel to provide customers with efficient and reliable power tool service. Whether you need technical advice, repair, or genuine factory replacement parts, contact the Stanley location nearest to you.

## Notes

- Stanley's policy is one of continuous improvement to our products and, as such, we reserve the right to change product specifications without prior notice.
- Standard equipment and accessories may vary by country.
- Product specifications may differ by country.
- Complete product range may not be available in all countries. Contact your local Stanley dealers for range availability.

## STEL365/STPT0900

### Gergaji Listrik

#### DATA TEKNIS

SPEKIFIKASI	STEL365/STPT0900	
DAYA	W	900
VOLTASE	V	220-240
KECEPATAN TANPA BEBAN	/menit	0-3200
Berat	KG.	3.2

#### TUJUAN PENGGUNAAN

Gergaji listrik genggam Stanley Anda dirancang untuk menggergaji kayu, plastik, dan logam lembaran.

#### ATURAN KESELAMATAN UMUM

Peringatan! Baca seluruh petunjuk. Kegagalan mengikuti seluruh instruksi yang tercantum di bawah ini dapat mengakibatkan sengatan listrik, kebakaran, dan/atau cedera berat. Istilah "alat listrik" dalam seluruh peringatan yang tercantum di bawah ini merujuk pada alat listrik bertenaga listrik (berkabel) atau alat listrik bertenaga baterai (nirkabel) Anda.

#### SIMPAN PETUNJUK-PETUNJUK INI

##### 1. Area kerja

- Jaga agar area kerja tetap bersih dan terang.** Area yang berantakan atau gelap mengundang kecelakaan.
- Jangan mengoperasikan alat listrik ini di lingkungan yang mudah menimbulkan bahaya ledakan, seperti di tempat yang terdapat cairan, gas, atau debu yang mudah terbakar.** Alat listrik menimbulkan percikan api yang dapat menyulut debu atau uap.
- Jauhkan anak-anak dan orang yang berada di sekitar, sewaktu mengoperasikan alat listrik.** Gangguan dapat menyebabkan Anda kehilangan kendali.

##### 2. Keselamatan kelistrikan

- Steker alat listrik harus sesuai dengan soketnya.** Jangan pernah memodifikasi steker dengan cara apa pun. Jangan gunakan steker adaptor apa pun dengan alat listrik yang dibumikan (grounded). Steker yang tidak dimodifikasi dan stopkontak yang sesuai akan mengurangi risiko sengatan listrik.
- Hindari kontak badan dengan permukaan yang dibumikan (grounded), seperti pipa, radiator, kompor, dan kulkas.** Risiko sengatan listrik dapat meningkat jika tubuh Anda bersentuhan dengan permukaan yang dibumikan.
- Jangan sampai alat listrik ini terkena hujan atau terpapar ke kondisi yang basah.** Air yang masuk ke alat listrik akan meningkatkan risiko sengatan listrik.
- Jangan menyalahgunakan kabel.** Jangan sekali-kali menggunakan kabel untuk membawa, menarik, atau mencabut alat listrik. Jauhkan kabel dari panas,

minyak, tepi tajam, atau komponen yang bergerak. Kabel yang rusak atau terbelit meningkatkan risiko sengatan listrik.

- Bila mengoperasikan alat listrik di luar ruangan, gunakan kabel sambungan yang sesuai untuk penggunaan di luar ruangan.** Menggunakan kabel yang sesuai untuk penggunaan di luar ruangan akan mengurangi risiko sengatan listrik.
- Jika penggunaan alat listrik di lokasi yang lembap tidak dapat dihindari, gunakan suplai yang terlindung oleh perangkat arus sisa (RCD).** Penggunaan RCD akan mengurangi risiko sengatan listrik.

##### 3. Keselamatan diri

- Tetap waspada, perhatikan apa yang Anda kerjakan dan gunakan akal sehat saat mengoperasikan alat listrik.** Jangan mengoperasikan alat listrik bila Anda sedang lelah, atau berada di bawah pengaruh obat, alkohol, atau pengobatan. Kelengahan sesaat saja saat mengoperasikan alat listrik dapat mengakibatkan cedera diri serius.
  - Gunakan perlengkapan keselamatan. Selalu kenakan alat pelindung mata.** Peralatan pelindung, seperti masker debu, sepatu keselamatan anti-selip, helm proyek, atau pelindung telinga yang digunakan untuk kondisi yang sesuai akan menghindarkan cedera diri.
  - Hindari menyalakan alat tanpa disengaja. Pastikan bahwa sakelar sudah dalam posisi mati sebelum menghubungkannya ke sumber listrik dan/atau baterai, mengambil, atau membawa alat.** Membawa alat listrik dengan jari Anda masih menempel pada tombol atau menghidupkan alat listrik yang tombolnya masih menyalakan akan berpotensi mengakibatkan kecelakaan.
  - Lepaskan semua kunci setelah atau kunci pas sebelum menghidupkan alat listrik.** Kunci pas atau kunci yang dibiarkan terpasang pada komponen alat listrik yang berputar dapat mengakibatkan cedera diri.
  - Jangan menjangkau melampaui batas. Selalu jaga pijakan dan keseimbangan yang baik.** Hal ini memungkinkan Anda untuk mengendalikan alat listrik dengan lebih baik dalam situasi yang tidak terduga.
  - Kenakan pakaian yang sesuai. Jangan mengenakan pakaian longgar atau perhiasan. Jauhkan rambut, pakaian dan sarung tangan dari komponen yang bergerak.** Pakaian yang longgar, perhiasan atau rambut panjang dapat tersangkut pada komponen yang bergerak.
  - Jika disediakan perangkat untuk sambungan fasilitas pengeluaran dan pengumpulan debu, pastikan alat ini dihubungkan dan digunakan dengan sesuai.** Menggunakan perangkat ini dapat mengurangi bahaya terkait debu.
- ##### 4. Penggunaan dan pemeliharaan alat listrik
- Jangan menggunakan alat listrik dengan paksa. Gunakan alat listrik yang sesuai untuk aplikasi Anda.** Alat listrik yang tepat akan bekerja lebih baik dan aman pada tingkat kelajuan yang telah dirancang untuk alat itu.
  - Jangan gunakan alat listrik ini jika tombol tidak dapat menghidupkan dan mematikan alat.** Alat listrik apa pun yang tidak dapat dikendalikan dengan tombol adalah



- berbahaya dan harus diperbaiki.
- Lepaskan stopkontak dari sumber listrik dan/atau baterai dari alat listrik sebelum melakukan penyetelan apa pun, mengganti aksesoris, atau menyimpan alat listrik.**Tindakan pencegahan untuk keselamatan seperti itu akan mengurangi risiko menyalakan alat listrik secara tidak disengaja
  - Simpan alat listrik yang tidak digunakan jauh dari jangkauan anak-anak, dan jangan membolehkan orang yang tidak memahami alat listrik atau petunjuk ini untuk mengoperasikannya.** Alat listrik dapat berbahaya bila digunakan oleh pengguna yang tidak terlatih.
  - Rawat alat listrik. Lakukan pemeriksaan untuk mengetahui apakah ada komponen bergerak yang tidak sejajar atau bengkok, komponen yang patah, dan kondisi lainnya yang dapat memengaruhi pengoperasian alat listrik. Jika rusak, perbaiki alat listrik sebelum digunakan.**Banyak terjadi kecelakaan akibat alat listrik yang tidak dirawat dengan baik.
  - Jaga ketajaman dan kebersihan alat pemotong.**Alat pemotong yang terawat dengan baik dengan mata potong yang tajam akan kecil kemungkinannya untuk macet serta lebih mudah untuk dikendalikan.
  - Gunakan alat listrik, aksesoris, dan mata bor, dsb., sesuai petunjuk ini, dengan memperhitungkan persyaratan kerja dan jenis pekerjaan yang harus dilakukan.**Penggunaan alat listrik untuk pengoperasian yang tidak sesuai dengan tujuan penggunaan dapat mengakibatkan situasi yang berbahaya.
5. **Servis**
- Alat listrik sebaiknya diservis oleh teknisi yang berkualifikasi dan hanya menggunakan komponen pengganti yang persis sama.**Hal ini akan membuat keamanan alat listrik selalu terjaga.

## Peringatan tambahan untuk keamanan alat listrik



**Peringatan!**Peringatan keselamatan tambahan untuk gergaji listrik genggam.

- **Pegang alat listrik pada permukaan pegangan berinsulasi saat melakukan operasi karena aksesoris pemotong dapat mengenai kabel yang tersembunyi atau kabelnya sendiri.**Aksesoris pemotong yang bersentuhan dengan kabel bertegangan listrik dapat mengalirkan arus listrik pada komponen logam alat listrik dan mengakibatkan sengatan listrik pada pengguna.
- **Gunakan penjepit atau cara praktis lain untuk mengencangkan dan menyangga benda kerja di permukaan yang stabil.**Memegang benda dengan tangan atau disandarkan pada tubuh Anda akan membuatnya tidak stabil dan dapat mengakibatkan hilangnya kendali.
- **Pegang gergaji kuat-kuat dengan kedua tangan untuk semua operasi pemotongan.**Selama operasi pemotongan, pisau gergaji bisa secara tiba-tiba tersangkut pada benda kerja dan dapat membuat gergaji bereaksi balik terhadap operator.

- **Jauhkan kedua tangan dari area pemotongan.**Jangan pernah berada di bawah material kerja untuk tujuan apa pun. Tahan bagian depan gergaji dengan memegang area pegangan berkontur. Jangan memasukkan jari atau jempol ke sekitar pisau gergaji dan penjepit pisau gergaji yang bergerak maju mundur. Jangan menstabilkan gergaji dengan memegang bantalan gergaji.
- **Jaga agar pisau gergaji tetap tajam.**Pisau gergaji yang tumpul dapat menyebabkan gergaji melenceng atau berhenti di bawah tekanan.
- **Lebih berhati-hati saat memotong di atas kepala.**terutama kabel, saluran gas, atau air terutama yang terletak di atas kepala, yang mungkin tidak tampak. Antisipasi arah jatuhnya cabang dan serpihan terlebih dahulu.
- **Ketika memotong pipa atau saluran,**pastikan bahwa semuanya bebas dari air, kabel listrik, dsb.
- **Jangan sentuh benda kerja atau pisau gergaji segera setelah selesai mengoperasikan alat.**Keduanya bisa jadi sangat panas.

## Label pada alat



**Peringatan!** Untuk mengurangi risiko cedera, pengguna harus membaca buku petunjuk.

## Keselamatan kelistrikan



Alat ini berisolasi ganda; sehingga kabel arde (ground) tidak diperlukan. Selalu periksa apakah catu daya sesuai dengan nilai tegangan yang tercantum pada papan nilai.

- Peralatan ini tidak ditujukan untuk digunakan oleh anak-anak atau orang yang lemah tanpa adanya pengawasan. Anak-anak harus diawasi untuk memastikan agar mereka tidak bermain dengan peralatan ini.
- Jika kabel suplai rusak, kabel suplai harus diganti oleh pihak pabrik atau Pusat Layanan Stanley resmi untuk menghindari bahaya.

## Simbol-simbol

Label pada alat Anda dapat memuat simbol-simbol berikut ini:

V	volt
A	Ampere
Hz	Hertz
W	Watt
min.	Menit
~	Arus balik
---	Arus searah
$n_0$	Kecepatan tanpa beban
	Konstruksi Kelas II
	Terminal arde
	Simbol waspada keselamatan
.../mnt	Putaran atau pemutarbalikan per menit

.../bpm Ketukan per menit

### Fitur (Gbr. 1)

- A. Sakelar Pemicu
- B. Pegangan Utama
- C. Gagang Pegangan Sekunder
- D. Sekrup Bantalan yang Dapat Disesuaikan
- E. Bantalan yang Dapat Disesuaikan
- F. Penjepit Pisau Gergaji

### Perakitan dan Penyesuaian

**⚠ PERINGATAN: BAHAYA TERPOTONG.** Matikan dan cabut alat dari sumber daya sebelum melakukan penyetelan atau melepas atau memasang alat atau aksesoris.

**⚠ PERINGATAN:** Pegang gergaji kuat-kuat dengan kedua tangan untuk semua operasi pemotongan.

**⚠ PERINGATAN:** Periksa area kerja untuk mengetahui kabel listrik, pipa gas, atau pipa air yang tersembunyi sebelum melakukan pemotongan di area tak terlihat atau pemotongan rumit. Kegagalan untuk melakukannya dapat mengakibatkan sengatan listrik, kebakaran, ledakan, atau kerusakan harta benda.

**⚠ PERINGATAN: BAHAYA TERPOTONG.** Pisau gergaji bisa patah jika pisau gergaji itu tidak melewati bantalan dan benda kerja pada saat pemotongan. Peningkatan risiko cedera diri, serta kerusakan pada bantalan dan benda kerja mungkin terjadi.

**⚠ PERINGATAN: SELALU kenakan kacamata pengaman.** Kacamata biasa BUKAN merupakan kacamata pengaman. Juga kenakan masker wajah atau debu jika pengoperasian pemotongan penuh debu. SELALU PAKAI PERALATAN KESELAMATAN YANG TELAH DISERTIFIKASI.

**⚠ PERINGATAN: BAHAYA TERPOTONG.** Sebelum memotong jenis bahan apa pun, pastikan bahan tersebut sudah ditahan atau dijepit dengan erat agar tidak tergelincir.

- Nyalakan motor gergaji sebelum memberikan tekanan.
- Taruh pisau gergaji menghadap benda kerja yang akan dipotong.

**⚠ PERINGATAN: BAHAYA TERPOTONG.** Jangan pernah memegang atau menggunakan produk jika jari-jari Anda masih terbelit di tombol penyesuaian bantalan. Selalu pegang gergaji dengan erat menggunakan kedua tangan saat memotong seperti yang ditunjukkan pada **Gambar2**. Jika memungkinkan, bantalan gergaji harus tertahan erat pada bahan yang sedang dipotong. Ini agar gergaji tidak meloncat atau bergoyang dan meminimalkan kerusakan pisau gergaji.

### SAKELAR KECEPATAN VARIABEL (gbr.3)

Sakelar pemicu kecepatan variabel akan memberikan Anda tambahan serbaguna. Makin dalam pemicu ditekan, makin cepat kecepatan gergajinya. Untuk mengatur alat ke posisi "OFF" (MATI), lepaskan pemicu.

**⚠ PERINGATAN: BAHAYA TERPOTONG.** Alat ini tidak memiliki fungsi untuk mengunci sakelar di posisi ON (NYALA) dan tidak boleh dikunci di posisi ON (NYALA) dengan cara lain.

### PEMASANGAN DAN PENCABUTAN PISAU GERGAJI (gbr.4)

**⚠ PERINGATAN: BAHAYA TERPOTONG.** Matikan dan cabut alat dari sumber daya sebelum melakukan penyetelan atau melepas atau memasang alat atau aksesoris.

Pisau gergaji harus melewati bantalan dan ketebalan benda kerja pada saat pemotongan. Pilih pisau gergaji yang paling cocok untuk bahan yang akan dipotong dan gunakan pisau terpendek yang sesuai untuk ketebalan bahan. Jangan gunakan pisau jigsaw dengan alat ini.

**⚠ PERINGATAN: BAHAYA TERPOTONG.** Pisau gergaji bisa patah jika pisau gergaji itu tidak melewati bantalan dan benda kerja pada saat pemotongan. Peningkatan risiko cedera, serta kerusakan pada bantalan dan benda kerja mungkin terjadi.

### UNTUK MEMASANG PISAU KE GERGAJI

1. Jauhkan ujung alat dari badan.
2. Putar cincin penjepit pisau gergaji ke arah seperti yang ditunjukkan dalam gbr.4.
3. Masukkan gagang pisau gergaji sepenuhnya ke dalam cincin penjepit pisau gergaji.
4. Lepaskan cincin penjepit pisau gergaji untuk mengunci pisau pada posisinya.

**CATATAN:** Pisau gergaji dapat dipasang dengan gigi menghadap atas untuk membantu pemotongan sama rata.

### UNTUK MELEPAS PISAU DARI GERGAJI

**⚠ PERINGATAN: BAHAYA TERPOTONG.** Matikan dan cabut alat dari sumber daya sebelum melakukan penyetelan atau melepas atau memasang alat atau aksesoris.

**⚠ PERINGATAN:** Bahaya terbakar. Jangan langsung menyentuh pisau gergaji setelah digunakan. Kontak dengan pisau gergaji dapat mengakibatkan cedera diri.

1. Putar cincin penjepit pisau gergaji untuk melepas posisi.
2. Lepaskan pisau gergaji.

### BANTALAN YANG DAPAT DISESUAIKAN (gbr.5)

**⚠ PERINGATAN: BAHAYA TERPOTONG.** Pisau gergaji bisa patah jika pisau gergaji itu tidak melewati bantalan dan benda kerja pada saat pemotongan. Peningkatan risiko cedera, serta kerusakan pada sepatu dan benda kerja mungkin terjadi.

**⚠ PERINGATAN: BAHAYA TERPOTONG.** Matikan dan cabut alat dari sumber daya sebelum melakukan penyetelan atau melepas atau memasang alat atau aksesoris.

Bantalan ini akan menyesuaikan diri untuk membatasi kedalaman pemotongan. Menggunakan kunci pas hex M4(5/32in.) (tidak disediakan), longgarkan sekrup (Gambar5) dan geser bantalan ke luar hingga kedalaman yang diinginkan, lalu kencangkan sekrup kembali dengan aman.

**⚠ PERINGATAN: BAHAYA TERPOTONG.** Agar tidak hilang kendali, jangan pernah menggunakan alat tanpa bantalan.

**⚠ PERHATIAN: RISIKO CEDERA DIRI DAN KERUSAKAN HARTA BENDA.** Pastikan bantalan terkunci di posisinya

sebelum alat digunakan.

### PEMOTONGAN SAMA RATA (gbr.6)

- Desain badan motor gergaji ringkas yang bergerak maju mundur dan bantalan yang dapat memutar memungkinkan pemotongan akurat untuk ubin, sudut, dan area sulit lainnya.
- Untuk memaksimalkan kemampuan pemotongan sama rata, masukkan batang pisau gergaji ke dalam penjepit pisau dengan gigi pisau menghadap ke atas.
- Putar gergaji atas bawah sehingga Anda bisa sedekat mungkin dengan permukaan kerja.

### PEMOTONGAN LOGAM (gbr.7)

- Gunakan pisau gergaji yang lebih halus untuk logam besi dan pisau gergaji kasar untuk bahan-bahan non-besi.
- Pada logam lembaran tipis, sebaiknya kayu dijepitkan di bagian bawah lembaran. Ini akan memastikan potongan yang rapi tanpa getaran berlebihan atau logam yang koyak.
- Hindari memaksakan pisau pemotong karena akan mengurangi umur pakai pisau gergaji dan menyebabkan pisau patah.

**CATATAN:** Sebarikan selapis tipis minyak atau pendingin lain di sepanjang garis pemotongan gergaji untuk pengoperasian yang lebih mudah dan umur pisau yang lebih lama.

### PEMOTONGAN BERONGGA -KHUSUS KAYU (gbr.8)

- Ukur area permukaan yang akan dipotong dan tandai secara jelas dengan pensil, kapur, atau penggores.
- Masukkan pisau gergaji ke penjepit pisau dan kencangkan penjepit pisau dengan aman.
- Rebahkan gergaji ke belakang sampai ujung belakang bantalan berada di atas permukaan kerja dan pisau gergaji yang sedang bergerak dan sepenuhnya terbentang akan membersihkan permukaan.
- Genggam alat dengan kedua tangan, nyalakan motor sehingga pisau gergaji bisa mendapatkan kecepatan maksimum.
- Mulai ayunkan ke atas secara perlahan dan hati-hati dengan pegangan utama gergaji.
- Pisau gergaji akan mulai menembus bahan. Selalu pastikan pisau gergaji sepenuhnya menembus bahan sebelum melanjutkan dengan potongan berongga.

**CATATAN:** Di area di mana pisau gergaji tidak begitu terlihat jelas, gunakan ujung bantalan sebagai panduan.

### Tips Penggunaan

- Potong hanya dengan pisau gergaji yang tajam; pisau semacam ini mampu memotong dengan lebih bersih, lebih cepat dan tak menimbulkan banyak beban pada motor pada saat pemotongan.
- Saat memotong, selalu pastikan bantalan sudah tertahan dengan erat pada benda kerja dan benda kerjanya sudah diamankan agar tidak bergerak/berbelok. Ini akan meningkatkan kendali operator dan meminimalkan

goyangan.

- Untuk umur pakai pisau gergaji yang lebih lama, gunakan pisau dwi-logam. Pisau gergaji ini memanfaatkan baja karbon yang dilas balik ke gigi baja berkecepatan tinggi, sehingga membuat pisau gergaji menjadi lebih fleksibel dan tak gampang patah.

### AKSESORI

Gergaji ini dapat digunakan dengan pisau gergaji dengan panjang maksimal 12 inci. Selalu gunakan pisau gergaji terpendek yang sesuai dengan proyek Anda, namun cukup panjang untuk menjaga pisau gergaji tetap bisa menembus bahan. Pisau gergaji yang lebih panjang lebih mudah bengkok atau rusak saat digunakan.

Pada saat operasi, beberapa pisau gergaji yang lebih panjang mungkin bergetar atau goyang jika gergaji tidak selalu menyentuh dengan benda kerja.

**⚠ PERINGATAN:** Berhubung aksesori-aksesori lain, di luar yang disediakan oleh Stanley, belum pernah diuji coba menggunakan produk ini, maka penggunaan aksesori semacam itu dengan alat ini dapat berbahaya. Untuk mengurangi risiko cedera, gunakan hanya aksesori yang direkomendasikan Stanley dengan produk ini.

### Pemeliharaan

Alat listrik Stanley telah dirancang untuk penggunaan jangka panjang dengan pemeliharaan minimal. Pengoperasian yang memuaskannya secara terus-menerus bergantung pada cara pemeliharaan yang benar dan pembersihan alat secara teratur.

**Peringatan!** Sebelum melakukan perawatan apa pun, matikan alat dan cabut stekernya.

- Bersihkan celah ventilasi pada alat secara teratur dengan menggunakan sikat kering atau lap kering yang halus.
- Bersihkan secara teratur kerangka motor dengan menggunakan kain bersih yang lembap. Jangan gunakan bahan pembersih abrasif atau pembersih berbahan dasar larutan apa pun.

### Informasi Servis

Stanley menawarkan jaringan lengkap milik perusahaan dan lokasi servis resmi di seluruh Asia. Semua Pusat Layanan Stanley memiliki tenaga kerja terlatih untuk memberikan servis alat listrik yang efisien dan tepercaya kepada pelanggan. Bilamana Anda memerlukan saran teknis, perbaikan, atau komponen pengganti asli pabrik, hubungi lokasi Stanley yang terdekat dengan tempat Anda.

### Catatan

- Salah satu kebijakan Stanley adalah peningkatan yang berkelanjutan pada produk kami, dan karenanya, kami berhak mengubah spesifikasi produk tanpa pemberitahuan sebelumnya.
- Perlengkapan dan aksesori standar mungkin akan berbeda di setiap negara.
- Spesifikasi produk mungkin akan berbeda di setiap negara.
- Pilihan produk lengkap mungkin tidak tersedia di semua negara. Hubungi dealer Stanley setempat Anda untuk

**STEL365/STPT0900****เลื่อยชักใบไฟฟ้า****ข้อมูลทางด้านเทคนิค**

ข้อมูลจำเพาะ	STEL365/STPT0900	
กำลังไฟ	W	900
แรงดันไฟฟ้า	V	220-240
ความเร็วขณะไม่มีภาระโหลด	/นาท	0-3200
น้ำหนัก	กก.	3.2

**วัตถุประสงค์ในการใช้งาน**

เลื่อยไฟฟ้ามีถือ Stanley เครื่องนี้ได้รับการออกแบบมาสำหรับการเลื่อยไม้ พลาสติก และแผ่นโลหะ

**กฎความปลอดภัยทั่วไป**

คำเตือน! อ่านคำแนะนำทั้งหมด การไม่ปฏิบัติตามคำเตือนและข้อปฏิบัติเหล่านี้ อาจทำให้เกิดไฟฟ้าช็อต เกิดอัคคีภัย และ/หรือบาดเจ็บสาหัสได้ คำว่า "เครื่องมือไฟฟ้า" ในคำเตือนทั้งหมดที่แสดงไว้ข้างล่าง หมายถึง เครื่องมือไฟฟ้า (แบบมีสาย) ที่ทำงานด้วยแหล่งจ่ายไฟหลัก หรือเครื่องมือไฟฟ้า (แบบไร้สาย) ที่ทำงานด้วยแบตเตอรี่

**เก็บรักษาคำแนะนำเหล่านี้ไว้**

- พื้นที่ทำงาน
  - รักษาความสะอาดและจัดให้มีแสงสว่างเพียงพอในบริเวณที่ทำงาน บริเวณที่มีมืดและมีช่องว่างระเกะระกะทำให้เกิดอุบัติเหตุได้
  - ห้ามใช้เครื่องมือไฟฟ้าในบริเวณที่อาจเกิดการระเบิด เช่น ในสถานที่ที่มีของเหลว แก๊ส หรือฝุ่นละอองที่มีคุณสมบัติไวไฟ เครื่องมือไฟฟ้าจะทำให้เกิดประกายไฟที่อาจทำให้เกิดลวดยไฟหรือเปลวไฟขึ้นได้
  - ระวังไม่ให้เด็กเล็กและคนเดินผ่านไปมาเข้าใกล้ในขณะที่ใช้งานเครื่องมือไฟฟ้า สิ่งรบกวนอาจทำให้คุณเสียสมาธิได้
- ความปลอดภัยทางไฟฟ้า
  - ปลั๊กไฟของเครื่องต้องเป็นชนิดเดียวกับเต้ารับ ห้ามดัดแปลงปลั๊กไม่ว่าด้วยวิธีใด ห้ามใช้ปลั๊กอะแดปเตอร์ใดๆ กับเครื่องมือไฟฟ้าที่ต่อสายดิน (ลงกราวด์) ปลั๊กที่ไม่มีการดัดแปลงและเต้ารับชนิดเดียวกันจะช่วยลดความเสี่ยงจากการถูกไฟฟ้าช็อต
  - หลีกเลี่ยงการสัมผัสพื้นผิวที่ต่อสายดินหรือลงกราวด์ เช่น ท่อ หม้อน้ำ เตาหุงต้ม และตู้เย็น มีความเสี่ยงเพิ่มสูงขึ้นหากไฟฟ้าช็อตตกกร่างกายเป็นสื่อเชื่อมต่อกับดินหรือลงกราวด์
  - อย่าให้เครื่องมือไฟฟ้าถูกฝนหรือเปียกน้ำ น้ำที่เข้าเครื่องมือไฟฟ้าจะเพิ่มความเสี่ยงในการเกิดไฟฟ้าช็อต
  - ห้ามใช้สายไฟผิดวัตถุประสงค์ ห้ามใช้สายไฟเพื่อการหิ้ว ดึง หรือถอดปลั๊กเครื่องมือไฟฟ้า เก็บสายไฟให้

พ้นจากความร้อน น้ามัน ของมีคม หรือ ชิ้นส่วนที่ กำลังเคลื่อนที่ สายไฟที่ชำรุดหรือพันกันเป็นการเพิ่มความเสี่ยงต่อการเกิดไฟฟ้าช็อต

- เมื่อใช้เครื่องมือไฟฟ้ากลางแจ้ง ให้ใช้สายต่อพ่วงที่เหมาะสมสำหรับการใช้งานกลางแจ้ง การใช้สายไฟที่เหมาะสมสำหรับการใช้งานกลางแจ้งจะช่วยลดความเสี่ยงจากการเกิดไฟฟ้าช็อต
  - หากไม่สามารถหลีกเลี่ยงการใช้เครื่องมือไฟฟ้าในบริเวณที่ชื้นและได้ ให้ใช้อุปกรณ์ป้องกันไฟดูด (RCD) การใช้ RCD จะเป็นการลดความเสี่ยงจากการถูกไฟฟ้าช็อต
- ความปลอดภัยส่วนบุคคล
    - ตื่นตัวและมีสมาธิกับสิ่งที่คุณกำลังทำ รวมทั้งใช้สามัญสำนึกในขณะที่กำลังใช้งานเครื่องมือไฟฟ้า ห้ามใช้เครื่องมือไฟฟ้าในขณะที่คุณกำลังเหนื่อยหรือได้รับอิทธิพลจากยา แอลกอฮอล์ หรือการรักษายาบางอย่าง การขาดความระมัดระวังในการใช้เครื่องมือไฟฟ้าแม้ชั่วขณะหนึ่งอาจทำให้บาดเจ็บสาหัสได้
    - การใช้อุปกรณ์นิรภัย สวมอุปกรณ์ป้องกันดวงตาเสมอ การใช้อุปกรณ์นิรภัย เช่น หน้ากากกันฝุ่น รองเท้านิรภัยกันสั่น หมวกนิรภัย หรืออุปกรณ์ป้องกันเสียงดัง ซึ่งอยู่ในสภาพที่เหมาะสมจะช่วยลดอาการบาดเจ็บส่วนบุคคลได้
    - ป้องกันเครื่องมือเปิดทำงานโดยไม่ตั้งใจ สวิตช์ต้องอยู่ในตำแหน่งปิดก่อนที่จะเสียบปลั๊กเข้ากับแหล่งจ่ายไฟ และ/หรือ ชุดแบตเตอรี่ หรือก่อนจะยกหรือหิ้วเครื่องมือ การยกเครื่องมือไฟฟ้าในขณะที่นิ้วอยู่ที่สวิตช์ หรือใช้เครื่องมือไฟฟ้าที่สวิตช์เปิดอยู่ อาจทำให้เกิดอุบัติเหตุได้
    - ถอดกุญแจปรับตั้งหรือประแจออกก่อนเปิดสวิตช์เครื่องมือไฟฟ้า ประแจหรือกุญแจที่เสียบค้างอยู่ในชิ้นส่วนที่หมุนได้ของเครื่องมือไฟฟ้าอาจทำให้เกิดการบาดเจ็บได้
    - ห้ามยืนเขย่งเท้าขณะใช้เครื่อง ควรยืนในท่าที่เหมาะสมและสมดุลตลอดเวลา เพื่อช่วยในการควบคุมเครื่องมือไฟฟ้าได้ดียิ่งขึ้นในสถานการณ์ที่ไม่คาดคิด
    - แต่งกายให้เหมาะสม ห้ามสวมเสื้อผ้าหลวมหรือใส่เครื่องประดับ ระวังผม ขายเสื้อ และถุงมือให้ห่างจากชิ้นส่วนที่กำลังหมุน เสื้อผ้าที่หลวมหรือยาวรุ่มร่าม เครื่องประดับ หรือผมที่ยาวอาจเข้าไปพันกับชิ้นส่วนที่กำลังหมุน
    - หากมีอุปกรณ์สำหรับตัดและเก็บฝุ่น ต้องตรวจสอบให้แน่ใจว่าได้เชื่อมต่อและใช้งานอุปกรณ์นั้นอย่างเหมาะสม การใช้อุปกรณ์เหล่านี้จะช่วยลดอันตรายที่เกี่ยวข้องกับฝุ่นได้
  - การใช้และการดูแลรักษาเครื่องมือไฟฟ้า
    - ห้ามฝืนใช้เครื่องมือไฟฟ้า เลือกใช้เครื่องมือไฟฟ้าที่ถูกต้องตรงกับลักษณะการใช้งานของคุณ เครื่องมือไฟฟ้าที่ถูกต้องย่อมทำงานได้ดีกว่าและปลอดภัยกว่าเมื่อใช้งานตามปกติที่เครื่องมีได้รับการออกแบบมา
    - ห้ามใช้เครื่องมือไฟฟ้าถ้าสวิตช์เปิดปิดเครื่องไม่ทำงาน เครื่องมือไฟฟ้าที่ไม่สามารถควบคุมผ่านสวิตช์ได้ ถือว่ามีอันตรายและต้องส่งซ่อม
    - ถอดปลั๊กของเครื่องมือไฟฟ้าออกจากแหล่งจ่ายไฟ

และ/หรือ แบตเตอรี่ก่อนทำการปรับแต่ง เปลี่ยน อุปกรณ์เสริม หรือจัดเก็บ มาตรการเพื่อความปลอดภัยเชิงการป้องกันนี้จะช่วยลดความเสี่ยงในการเปลืองเปิดเครื่องให้ทำงานโดยไม่ตั้งใจ

- จ) เก็บเครื่องมือไฟฟ้าที่ไม่ได้ใช้งานให้พ้นมือเด็ก และไมอนุญาตให้บุคคลที่ไม่คุ้นเคยกับเครื่องมือไฟฟ้าหรือข้อปฏิบัติเหล่านี้เป็นผู้ใช้เครื่องมือ เครื่องมือไฟฟ้าจะเป็นอันตรายหากอยู่ในมือผู้ใช้ที่ไม่มีความชำนาญ
- ฉ) บำรุงรักษาเครื่องมือไฟฟ้า ตรวจสอบว่าชิ้นส่วนที่เคลื่อนที่ได้มีการวางไม่ตรงแนวหรือติดขัดหรือไม่ มีชิ้นส่วนที่แตกหัก และสภาพอื่นใดที่อาจส่งผลกระทบต่อการทำงานของเครื่องมือไฟฟ้าหรือไม่ หากชำรุดเสียหาย ให้นำเครื่องมือไปส่งซ่อมก่อนนำมาใช้ อุบัติเหตุจำนวนมากเกิดจากการดูแลรักษาเครื่องมือไฟฟ้าไม่เพียงพอ
- ช) เครื่องมือตัดต้องคมและสะอาดอยู่เสมอ เครื่องมือตัดที่ได้รับการดูแลรักษาอย่างถูกต้อง และมีขอบตัดคม จะมีปัญหาติดขัดน้อย และควบคุมได้ง่ายกว่า
- ข) ใช้เครื่องมือไฟฟ้า อุปกรณ์เสริมและชุดอุปกรณ์ต่างๆ ให้สอดคล้องกับคำแนะนำเหล่านี้ โดยพิจารณาถึงสภาพการทำงานและงานที่ทำเป็นสำคัญ การใช้เครื่องมือไฟฟ้าทำงานอื่นนอกเหนือจากที่กำหนดไว้ อาจทำให้เกิดอันตรายได้

## 5. การบริการ

- ก) ให้ช่างซ่อมที่มีความเชี่ยวชาญเป็นผู้ซ่อมเครื่องมือ และใช้อะไหล่แท้เท่านั้น ซึ่งจะช่วยให้มั่นใจได้ว่า เครื่องมือไฟฟ้ายังมีความปลอดภัยอยู่

## คำเตือนเพื่อความปลอดภัยเพิ่มเติมสำหรับการใช้เครื่องมือไฟฟ้า



**คำเตือน!** คำเตือนเพื่อความปลอดภัยเพิ่มเติมสำหรับเลื่อยมือถือ

- จับเครื่องมือไฟฟ้าที่พื้นผิวส่วนที่ใช้จับซึ่งมีจำนวนป้องกัน เมื่อใช้งานเครื่องและอุปกรณ์เสริมที่ใช้กับงานตัดอาจสัมผัสกับสายไฟที่ซ่อนอยู่หรือสายไฟของตัวเครื่องเอง อุปกรณ์เสริมสำหรับงานตัดที่สัมผัสทุกสายไฟ "ที่มีไฟฟ้า" อาจทำให้ส่วนที่เป็นโลหะของเครื่องที่ถูกสัมผัส "มีไฟฟ้า" และทำให้ผู้ใช้เครื่องถูกไฟฟ้าช็อตได้
- ใช้ตัวจับชิ้นงานหรือวิธีอื่นๆ ที่ได้ผลเพื่อยึดและหมุนชิ้นงานบนแท่นที่มั่นคง การไม่จับหรือให้ชิ้นงานพังกับลำตัวจะไม่มั่นคงและอาจทำให้สูญเสียการควบคุมได้
- ถู้อะไหล่ไฟฟ้าด้วยมือทั้งสองข้างให้แน่นในขณะที่ตัด ในขณะที่ทำงานตัด ใบเลื่อยอาจเข้าไปติดขัดอยู่ในชิ้นงาน โดยยกขึ้นทันที และอาจเป็นสาเหตุให้เลื่อยติดกลับมายังผู้ใช้ปฏิบัติงานได้
- มือต้องอยู่ห่างจากบริเวณที่ตัดตลอดเวลา ห้ามสอดมือเข้าไปใต้ชิ้นงานเด็ดขาดไม่ว่าจะด้วยเหตุผลใดๆ จับด้านหน้าของเลื่อยด้วยการจับตรงบริเวณพื้นที่จับที่โค้งมน ห้ามสอดนิ้วมือหรือหัวแม่มือเข้าไปในช่องว่างระหว่างใบเลื่อยที่กำลังเคลื่อนที่กับตัวจับใบเลื่อย ห้าม

ปรับเลื่อยโดยการจับที่ฐาน

- ใบเลื่อยต้องคมอยู่เสมอ ใบเลื่อยที่ทื่ออาจทำให้เลื่อยเปลี่ยนทิศทางหรือติดขัดเมื่อได้รับแรงกด
- ใช้ความระมัดระวังเป็นพิเศษเมื่อต้องตัดในตำแหน่งที่อยู่เหนือศีรษะ และใส่ใจเป็นพิเศษกับสายไฟ ท่อแก๊ส หรือท่อน้ำที่อยู่ด้านบนซึ่งอาจซ่อนไว้จนมองไม่เห็น เตรียมพร้อมกันทั้งไม้และเศษชิ้นงานที่จะร่วงหล่นตามแนวเส้นทางการตัดไว้ล่วงหน้า
- เมื่อตัดท่อน้ำหรือท่อหุ้มสายไฟ ต้องตรวจสอบให้แน่ใจว่าท่อไม่มีน้ำ หรือสายไฟ หรือวัสดุอื่นอยู่ภายใน
- อย่าสัมผัสชิ้นงานหรือใบเลื่อยทันทีหลังจากการใช้เครื่องมือ เนื่องจากอาจมีความร้อนสูงมาก

## ป้ายสัญลักษณ์บนเครื่องมือ



คำเตือน! เพื่อลดความเสี่ยงต่อการบาดเจ็บ ผู้ใช้ต้องอ่านคู่มือการใช้งานเล่มนี้

## ความปลอดภัยทางไฟฟ้า



เครื่องมือนี้มีความแรงสองชั้น ดังนั้นจึงไม่จำเป็นต้องต่อสายดิน ต้องตรวจสอบกำลังไฟเพื่อให้ตรงกับแรงดันไฟฟ้าบนแผ่นแสดงพิกัดเสมอ

- เครื่องมือนี้ไม่ได้มีไว้เพื่อการใช้งานโดยผู้เยาว์หรือผู้ที่ขาดความเชี่ยวชาญโดยไม่มีการควบคุมดูแล เด็กต้องได้รับการดูแลเพื่อให้แน่ใจว่าเด็กจะไม่เล่นเครื่องมือ
- ถ้าสายไฟของตัวเครื่องชำรุดเสียหาย ต้องเปลี่ยนโดยผู้ผลิตหรือศูนย์บริการของ Stanley ที่ได้รออนุญาตเพื่อหลีกเลี่ยงอันตรายที่อาจเกิดขึ้นได้

## สัญลักษณ์

ป้ายบนเครื่องมือของคุณอาจมีสัญลักษณ์ต่อไปนี้:

V	โวลต์
A	แอมแปร์
Hz	เฮิร์ตซ์
W	วัตต์
min.	นาที
~	ไฟกระแสสลับ
==	ไฟกระแสตรง
No	ความเร็วขณะไม่มีโหลด
	โครงสร้างชั้น II
	ชีวิติน
	สัญลักษณ์เตือนความปลอดภัย
.../mnt	รอบการหมุนหรือรอบการทำงานต่อนาที
.../bpm	ครั้งต่อนาที

## คุณสมบัติ (รูปที่ 1)

- A. สวิตช์
- B. มือจับหลัก
- C. มือจับเสริม
- D. สกรูฐานเลื่อยแบบปรับได้
- E. ฐานเลื่อยแบบปรับได้
- F. ตัวจับใบเลื่อย

## การประกอบและการปรับตั้ง

**⚠ คำเตือน:** ระวังถูกใบเลื่อยบาด ปิดและถอดปลั๊กเครื่องก่อนทำการปรับใดๆ หรือก่อนถอดหรือใส่อุปกรณ์ยึดติดหรืออุปกรณ์เสริม

**⚠ คำเตือน:** ถือเลื่อยไฟฟ้าด้วยมือทั้งสองข้างให้แน่นในขณะที่ตัด

**⚠ คำเตือน:** ตรวจสอบพื้นที่ทำงานเพื่อหาสายไฟฟ้า ท่อแก๊ส หรือท่อน้ำที่ซ่อนอยู่ก่อนที่จะทำการตัดในพื้นที่ ปิดหรือการตัดแบบเข่าระอ่ง มิฉะนั้นอาจทำให้เกิดไฟฟ้าช็อต ไฟไหม้ การระเบิด หรือทรัพย์สินเสียหายได้

**⚠ คำเตือน:** อันตรายจากการตัด ใบเลื่อยอาจแตกหักได้ ถ้าใบเลื่อยไม่เย็นผ่านฐานเลื่อยและชิ้นงาน ในระหว่างการตัด มีความเสี่ยงเพิ่มขึ้นที่จะได้รับบาดเจ็บ รวมทั้งอาจทำให้เกิดความเสียหายต่อฐานเลื่อยและชิ้นงานได้

**⚠ คำเตือน:** สวมแว่นตานิรภัยเสมอ แว่นตาที่สวมประจำวันไม่ใช่แว่นตานิรภัย นอกจากนี้ให้ใช้หน้ากากป้องกันใบหน้าหรือหน้ากากกันฝุ่นด้วยการการตัดจะทำให้มีฝุ่นมาก สวมใส่อุปกรณ์นิรภัยที่ได้รับการรับรองเสมอ

**⚠ คำเตือน:** อันตรายจากการตัด ก่อนตัดวัสดุประเภทใดๆ ตรวจสอบให้แน่ใจว่าได้ยึดหรือจับวัสดุนั้นไว้แน่นหนาดีแล้วเพื่อป้องกันการสั่นไหว

- เปิดสวิตช์เครื่องมือก่อนออกแรงกด
- จรดใบเลื่อยกับงานที่จะตัดอย่างเบามือ

**⚠ คำเตือน:** อันตรายจากการตัด ห้ามจับและใช้เครื่องมือด้วยวิธีการเกี่ยวเกี่ยวของคุณไวรอบมุมปรับฐานเลื่อย จับเลื่อยด้วยมือทั้งสองข้างให้แน่นทุกครั้ง ในขณะที่ตัด รูป 2 ฐานต้องวางชิดกับวัสดุที่กำลังตัดอย่างมั่นคงทุกครั้งที่จะเป็นไปได้ ซึ่งจะช่วยป้องกันการสั่นไหว การสั่นสะเทือน และลดการหักของใบเลื่อย

## สวิตช์ปรับระดับความเร็ว (รูป 3)

สวิตช์ปรับระดับความเร็วจะเพิ่มการใช้งานที่หลากหลายยิ่งขึ้น ยิ่งกดสวิตช์ให้ลึกเท่าใด ความเร็วของเลื่อยก็จะสูงขึ้นเท่านั้น เมื่อต้องการ "ปิด" เครื่องมือ ให้ปล่อยสวิตช์

**⚠ คำเตือน:** อันตรายจากการตัด เครื่องมือนี้ไม่มีกลไกสำหรับล็อคสวิตช์ให้เปิดตลอด และไม่ควรรีบล็อคสวิตช์ให้เปิดตลอดเวลาด้วยวิธีการใดๆ ก็ตาม

## การใส่และการถอดใบเลื่อย (รูป 4)

**⚠ คำเตือน:** อันตรายจากการตัด ปิดและถอดปลั๊กเครื่องก่อนทำการปรับใดๆ หรือก่อนถอดหรือใส่อุปกรณ์ยึดติดหรืออุปกรณ์เสริม ใบมีดควรเย็นผ่านฐานเลื่อยและความหนาของชิ้นงานในระหว่างการตัด เลือกใบเลื่อยที่เหมาะสมที่สุดกับวัสดุที่จะตัด และใช้ใบเลื่อยที่สั้นที่สุดที่เหมาะสมกับความหนาของวัสดุ อย่ายังใช้ใบเลื่อยจิกซอร์กับเครื่องมือนี้

**⚠ คำเตือน:** อันตรายจากการตัด ใบเลื่อยอาจแตกหักได้ ถ้าใบเลื่อยไม่เย็นผ่านฐานเลื่อยและชิ้นงานในระหว่างการตัด มีความเสี่ยงเพิ่มขึ้นที่จะได้รับบาดเจ็บ รวมทั้งอาจทำให้เกิดความเสียหายต่อฐานเลื่อยและชิ้นงานได้

## เมื่อต้องการควมใส่ใบเลื่อยเข้าไปในเลื่อย

1. หันหัวเครื่องมือออกจากกรงกาย
  2. หมุนปลอกตัวจับใบเลื่อยในทิศทางที่แสดงในรูป 4
  3. สอดก้านใบเลื่อยเข้าไปในปลอกตัวจับใบเลื่อยจนสุด
  4. ปล่อยให้ปลอกตัวยึดใบเลื่อยเพื่อล็อคใบเลื่อยให้เข้าที่
- หมายเหตุ: สามารถใส่ใบเลื่อยโดยให้ฟันใบเลื่อยอยู่ด้านบนเพื่อช่วยในการตัดให้เสมอ

## เมื่อต้องการถอดใบเลื่อยออกจากเลื่อย

**⚠ คำเตือน:** อันตรายจากการตัด ปิดและถอดปลั๊กเครื่องก่อนทำการปรับใดๆ หรือก่อนถอดหรือใส่อุปกรณ์ยึดติดหรืออุปกรณ์เสริม

**⚠ คำเตือน:** อันตรายจากไฟไหม้ อย่ายัมผัสใบเลื่อยทันทีหลังจากใช้งาน การสัมผัสใบเลื่อยอาจทำให้ได้รับบาดเจ็บได้

1. หมุนปลอกตัวจับใบเลื่อยเพื่อปลดออกจากตำแหน่ง
2. ถอดใบเลื่อยออก

## ฐานเลื่อยแบบปรับได้ (รูป 5)

**⚠ คำเตือน:** อันตรายจากการตัด ใบเลื่อยอาจแตกหักได้ ถ้าใบเลื่อยไม่เย็นผ่านฐานเลื่อยและชิ้นงานในระหว่างการตัด มีความเสี่ยงเพิ่มขึ้นที่จะได้รับบาดเจ็บ รวมทั้งอาจทำให้เกิดความเสียหายต่อฐานเลื่อยและชิ้นงานได้

**⚠ คำเตือน:** อันตรายจากการตัด ปิดและถอดปลั๊กเครื่องก่อนทำการปรับใดๆ หรือก่อนถอดหรือใส่อุปกรณ์ยึดติดหรืออุปกรณ์เสริม

ฐานเลื่อยจะปรับไปที่ขีดจำกัดความลึกของการตัด โดยใช้ประแจหกเหลี่ยม M4(5/32in.) (ไม่มีมาให้) คลายสกรู (รูป 5) แล้วเลื่อนฐานเลื่อยไปยังความลึกที่ต้องการจากนั้นไขสกรูกลับให้แน่น

**⚠ ข้อควรระวัง:** อันตรายจากการตัด เพื่อป้องกันการสูญเสียการควบคุม ห้ามใช้เครื่องมือโดยไม่มีฐานเลื่อย

**⚠ ข้อควรระวัง:** ความเสี่ยงจากการบาดเจ็บและทรัพย์สินเสียหาย ตรวจสอบให้แน่ใจว่าฐานเลื่อยถูกล็อคอยู่ในตำแหน่งก่อนที่จะใช้เครื่องมือ

## การตัดเสมอ (รูป 6)

- ด้วยขนาดที่กะทัดรัดของตัวมอเตอร์และฐานเลื่อยที่ปรับหมุนได้ของเลื่อยชักใบนี้ทำให้สามารถตัดพื้น ผนัง และพื้นที่เข้าถึงยากได้ใกล้ๆ
- เพื่อประสิทธิภาพในการตัดให้เสมอที่สุด ให้ใส่ตามใบเลื่อยลงในตัวจับใบเลื่อยโดยให้ฟันของใบเลื่อยหงายขึ้นด้านบน
- คว้าเลื่อยลงเพื่อให้คุณสามารถทำงานได้ชิดกับผิวงานมากที่สุด

## การตัดโลหะ (รูป 7)

- ใช้ใบเลื่อยฟันละเอียดสำหรับโลหะเหล็กและใบเลื่อยฟันหยาบสำหรับโลหะที่ไม่ใช่เหล็ก
- สำหรับแผ่นโลหะเบือบาง ควรจับยึดที่ส่วนล่างของแผ่น การทำเช่นนี้ช่วยให้อัดได้ตรงโดยไม่มีการสั่นคลอนหรือทำให้โลหะฉีกขาด
- หลีกเลี่ยงการฝืนใบเลื่อยในการตัดเพราะทำให้อายุการใช้งานสั้นลง และทำให้ใบเลื่อยเสียหาย

**หมายเหตุ:** ฉีดน้ำมันหรือสารหล่อเย็นเป็นฟิล์มบางๆ ไปตามแนวการตัดของเลื่อยล่วงหน้าเพื่อให้ตัดได้ง่ายขึ้น และช่วยยืดอายุการใช้งานของใบเลื่อย

## การเจาะช่อง - สำหรับไม้เท่านั้น (รูป 8)

- วัดบริเวณพื้นผิวที่จะตัด แล้วทำเครื่องหมายด้วยดินสอ ขอลง หรือเหล็กขีดให้ชัดเจน
- ใส่ใบเลื่อยลงในตัวจับใบเลื่อย และขันตัวจับใบเลื่อยให้แน่น
- เอียงเลื่อยไปด้านหลังจนขอบล่างของฐานเลื่อยวางอยู่บนพื้นผิวงาน และตำแหน่งของใบเลื่อยเมื่อยื่นสุดจะแตะพื้นผิว
- จับอุปกรณ์ด้วยสองมือ เปิดสวิตช์มอเตอร์ให้ใบเลื่อยทำงานด้วยความเร็วสูงสุด
- ค่อยๆ เริ่มเอียงเลื่อยไปข้างหน้าอย่างระมัดระวังโดยจับอยู่ที่ตัวเลื่อย
- ใบเลื่อยจะเริ่มตัดเข้าไปในวัสดุ ให้แน่ใจเสมอว่าใบเลื่อยได้ตัดทะลุวัสดุก่อนทำการเจาะให้เป็นช่องต่อไป

**หมายเหตุ:** ในพื้นที่ซึ่งมองเห็นใบเลื่อยได้จำกัด ให้ใช้ขอบของฐานเลื่อยเป็นตัวช่วยระยะ

## คำแนะนำการทำงาน

- ตัดด้วยใบเลื่อยที่คมเท่านั้น เนื่องจากตัดได้ตรงและรวดเร็วกว่า และยังม่แรงดึงต่อมอเตอร์ในขณะที่ตัดน้อยกว่า
- ในขณะตัด ให้แน่ใจเสมอว่าฐานเลื่อยอยู่ติดชิดกับชิ้นงาน และตัวชิ้นงานมีความมั่นคงไม่เคลื่อนหรือเลื่อนไถล การทำเช่นนี้จะควบคุมการทำงานได้ดียิ่งขึ้นและช่วยลดการสั่น
- เพื่อการใช้งานที่ยาวนาน ให้ใช้ใบเลื่อยที่เป็นโลหะสองชนิด ตัวใบเลื่อยทำจากเหล็กคาร์บอนที่เชื่อมประกบกับพื้นผิวที่เป็นเหล็กสำหรับงานความเร็วสูง ทำให้ตัวใบเลื่อยมีความยืดหยุ่นมากขึ้นและมีโอกาสแตกหักน้อยกว่า

## อุปกรณ์เสริม

เลื่อยนี้สามารถรับใบเลื่อยที่มีขนาดยาวได้ถึง 12 นิ้ว ให้ใช้ใบเลื่อยขนาดสั้นที่สุดที่เหมาะสมสำหรับงานของคุณ แต่มีความยาวเพียงพอที่ใบเลื่อยจะตัดทะลุวัสดุ ใบเลื่อยขนาดยาวมีโอกาสที่จะบิดงอหรือเสียหายระหว่างการใช้งานได้มากกว่า

ในระหว่างการทำงาน ใบเลื่อยที่มีขนาดยาวอาจแกว่งหรือสั่นถ้าเลื่อยไม่ได้สัมผัสอยู่กับชิ้นงาน

**คำเตือน:** เนื่องจากอุปกรณ์เสริมอื่นนอกเหนือจากที่ Stanley มีจำหน่าย ไม่ได้ผ่านการทดสอบร่วมกับผลิตภัณฑ์นี้ จึงอาจเป็นอันตรายหากใช้อุปกรณ์เสริมดังกล่าวร่วมกับเครื่องมือนี้ เพื่อเป็นการลดความเสี่ยงจากการได้รับบาดเจ็บ ให้ใช้อุปกรณ์เสริมเฉพาะที่ Stanley แนะนำให้ใช้ร่วมกับผลิตภัณฑ์นี้เท่านั้น

## การบำรุงรักษา

เครื่องมือ Stanley ออกแบบมาเพื่อให้สามารถใช้งานได้ยาวนานต่อเนื่องโดยมีการบำรุงรักษาขั้นต่ำที่สุด การทำงานที่สร้างความพึงพอใจอย่างต่อเนื่องจะขึ้นอยู่กับ การดูแลรักษาที่เหมาะสมและการทำความสะอาดอย่าง

สม่ำเสมอ

**คำเตือน!** ก่อนทำการบำรุงรักษาเครื่องมือ ให้ปิดสวิตช์และถอดปลั๊กเครื่องมือทุกครั้ง

- ทำความสะอาดช่องระบายอากาศในเครื่องมือของคุณเป็นประจำโดยใช้แปรงขนอ่อนแห้งหรือผ้าแห้ง
- ทำความสะอาดส่วนหุ้มมอเตอร์เป็นประจำโดยใช้ผ้าสะอาดขนนุ่มหนาๆ ห้ามใช้ยาทำความสะอาดที่มีฤทธิ์กัดกร่อนหรือมีส่วนผสมของตัวทำละลาย

## ข้อมูลการบริการ

Stanley ให้บริการเครือข่ายศูนย์บริการของบริษัทเอง และศูนย์ฯ ที่ได้รับการรับรองเต็มรูปแบบทั่วทั้งทวีปเอเชีย ศูนย์บริการ Stanley ทุกแห่งมีพนักงานที่ผ่านการฝึกอบรมเพื่อให้บริการเกี่ยวกับเครื่องมือไฟฟ้าได้อย่างมีประสิทธิภาพและเชื่อถือได้ ไม่ว่าคุณจะต้องการคำแนะนำด้านเทคนิค การซ่อมแซม หรืออะไหล่แท้จากโรงงานโปรดติดต่อศูนย์ Stanley ใกล้บ้านคุณ

## หมายเหตุ

- เนื่องจาก Stanley มุ่งนโยบายพัฒนาปรับปรุงผลิตภัณฑ์อย่างต่อเนื่อง ดังนั้น เราจึงขอสงวนสิทธิ์ในการเปลี่ยนแปลงข้อมูลจำเพาะของผลิตภัณฑ์โดยไม่แจ้งให้ทราบล่วงหน้า
- อุปกรณ์มาตรฐานและอุปกรณ์เสริมอาจแตกต่างกันในแต่ละประเทศ
- ข้อมูลจำเพาะของผลิตภัณฑ์อาจแตกต่างกันในแต่ละประเทศ
- ตัวเลือกผลิตภัณฑ์อาจมีจำหน่ายไม่ครบทุกรายการในบางประเทศ โปรดสอบถามตัวเลือกผลิตภัณฑ์จากตัวแทนจำหน่ายของ Stanley ในประเทศของคุณ

## STEL365/STPT0900

### Máy cưa kiểm

## THÔNG SỐ KỸ THUẬT

THÔNG SỐ	STEL365/STPT0900	
CÔNG SUẤT	W	900
ĐIỆN ÁP	V	220-240
TỐC ĐỘ KHÔNG TẢI	/phút	0-3200
Trọng lượng	KG	3,2

## MỤC ĐÍCH SỬ DỤNG

Cưa cầm tay Stanley được thiết kế để cưa gỗ, nhựa và kim loại tấm.

## CÁC QUY TẮC AN TOÀN CHUNG

Cảnh báo! Đọc mọi hướng dẫn. Việc không tuân theo tất cả các hướng dẫn được liệt kê bên dưới có thể dẫn đến điện giật, cháy và/hoặc chấn thương nghiêm trọng. Thuật ngữ “dụng cụ điện cầm tay” trong phần cảnh báo chỉ thiết bị chạy bằng điện nguồn (có dây điện) hoặc thiết bị chạy bằng pin (không có dây điện).

## GIỮ LẠI NHỮNG HƯỚNG DẪN NÀY

### 1. Khu vực làm việc

- Khu vực làm việc phải sạch sẽ và đủ ánh sáng.** Những khu vực bừa bộn hoặc thiếu ánh sáng dễ gây tai nạn.
- Không vận hành dụng cụ điện cầm tay trong các môi trường dễ cháy nổ, như các môi trường có chất lỏng, khí hoặc bụi dễ cháy.** Dụng cụ điện cầm tay tạo ra các tia lửa điện có thể gây cháy bụi hoặc bốc khói.
- Không cho trẻ em và những người quan sát lại gần khi đang vận hành dụng cụ điện cầm tay.** Những lúc xao lãng có thể khiến bạn mất kiểm soát.

### 2. An toàn điện

- Phích cắm của dụng cụ điện cầm tay phải vừa với ổ cắm.** Không được sửa đổi phích cắm dưới bất kỳ hình thức nào. Không được sử dụng các phích cắm tiếp hợp với những dụng cụ điện cầm tay có nối đất. Phích cắm nguyên trạng và ổ cắm phù hợp sẽ giúp giảm nguy cơ bị điện giật.
- Tránh tiếp xúc với các bề mặt được nối đất như đường ống, lò sưởi, bếp nướng và tủ**

**lạnh.** Nguy cơ bị điện giật sẽ cao hơn nếu cơ thể bạn tiếp xúc trực tiếp với đất.

- Không để các dụng cụ điện cầm tay ngoài trời mưa hoặc ở nơi ẩm ướt.** Nước vào trong dụng cụ điện cầm tay sẽ làm tăng nguy cơ bị điện giật.
- Không dùng dây điện cho các mục đích khác.** Tuyệt đối không sử dụng dây điện để mang, kéo hoặc rút phích cắm dụng cụ điện cầm tay. Để dây điện cách xa nguồn nhiệt, dầu mỡ, các cạnh sắc hoặc các bộ phận chuyển động. Dây điện bị hỏng hoặc bị vướng sẽ làm tăng nguy cơ bị điện giật.
- Khi vận hành dụng cụ điện cầm tay ngoài trời, hãy sử dụng dây nối dài phù hợp để sử dụng ngoài trời.** Sử dụng dây điện phù hợp để sử dụng ngoài trời sẽ giúp giảm nguy cơ bị điện giật.
- Nếu bắt buộc phải vận hành dụng cụ điện cầm tay ở nơi ẩm ướt, hãy sử dụng nguồn được bảo vệ bởi thiết bị ngắt mạch tự động (RCD).** Sử dụng RCD giúp giảm nguy cơ bị điện giật.

### 3. An toàn cá nhân

- Hãy tập trung, chú ý vào những gì bạn đang làm và tỉnh táo khi vận hành dụng cụ điện cầm tay.** Không được sử dụng công cụ điện khi bạn đang mệt hoặc đang bị ảnh hưởng của ma túy, rượu hoặc thuốc. Chỉ một khoảnh khắc mất tập trung trong khi vận hành dụng cụ điện cầm tay cũng có thể dẫn đến chấn thương cá nhân nghiêm trọng.
- Sử dụng thiết bị bảo hộ.** Luôn đeo kính bảo hộ. Thiết bị bảo hộ an toàn như mặt nạ chống bụi, giày chống trượt, mũ cứng hoặc bảo vệ tai nếu được sử dụng ở những điều kiện phù hợp sẽ giảm các chấn thương cá nhân.
- Tránh vô tình bật máy.** Đảm bảo rằng công tắc ở vị trí tắt trước khi nối với nguồn điện và/hoặc pin, khi cầm hoặc mang dụng cụ. Việc cầm dụng cụ điện cầm tay khi ngón tay đặt vào công tắc hoặc sạc pin cho dụng cụ điện cầm tay khi công tắc đang bật có thể gây tai nạn.
- Hãy tháo hết khóa điều chỉnh hoặc cờ lê trước khi bật dụng cụ điện cầm tay.** Cờ lê hoặc khóa vẫn để ở bộ phận quay của dụng cụ điện cầm tay có thể dẫn đến chấn thương cá nhân.
- Không được với tay.** Hãy đứng ở tư thế thích hợp và luôn giữ thẳng bằng. Điều đó



giúp kiểm soát dụng cụ điện cầm tay tốt hơn khi gặp các tình huống không lường trước được.

- f. **Mặc quần áo phù hợp. Không mặc quần áo rộng hoặc đeo đồ trang sức. Giữ cho tóc, quần áo và găng tay tránh xa các bộ phận chuyển động.** Quần áo rộng, đồ trang sức hoặc tóc dài có thể bị mắc vào các bộ phận chuyển động.
- g. **Nếu các thiết bị được cung cấp để nối các phương tiện hút hoặc gom bụi, hãy đảm bảo những thiết bị này được nối và sử dụng đúng cách.** Sử dụng các thiết bị này có thể giảm các nguy cơ liên quan đến bụi.

#### 4. Sử dụng và bảo quản dụng cụ điện cầm tay

- a. **Sử dụng dụng cụ điện cầm tay phù hợp. Sử dụng dụng cụ điện cầm tay phù hợp với mục đích của bạn.** Dụng cụ phù hợp sẽ giúp bạn làm việc hiệu quả và an toàn hơn theo đúng tốc độ được thiết kế.
- b. **Không sử dụng dụng cụ điện cầm tay nếu công tắc không bật và tắt được.** Những dụng cụ điện cầm tay không điều khiển được bằng công tắc đều rất nguy hiểm và cần phải được sửa chữa.
- c. **Rút phích cắm dụng cụ điện cầm tay ra khỏi nguồn điện và/hoặc pin ra khỏi dụng cụ điện cầm tay trước khi thực hiện các điều chỉnh, thay phụ kiện hoặc bảo quản dụng cụ điện cầm tay.** Các biện pháp an toàn phòng ngừa đó giúp giảm nguy cơ vô tình khởi động dụng cụ điện cầm tay.
- d. **Bảo quản các dụng cụ điện cầm tay không sử dụng tránh xa tầm tay trẻ em và không cho phép những người không quen với dụng cụ điện cầm tay hoặc những hướng dẫn này vận hành dụng cụ điện cầm tay.** Dụng cụ điện cầm tay sẽ rất nguy hiểm khi được sử dụng bởi những người chưa được huấn luyện.
- e. **Bảo trì dụng cụ điện cầm tay. Kiểm tra các bộ phận di chuyển xem có bị lắp lệch hoặc kẹt không, các bộ phận có bị vỡ không và bất kỳ tình trạng nào khác có thể ảnh hưởng đến việc vận hành dụng cụ.** Nếu dụng cụ điện cầm tay bị hỏng, hãy sửa chữa trước khi sử dụng. Rất nhiều tai nạn xảy ra do công tác bảo trì các dụng cụ điện cầm tay kém.
- f. **Đảm bảo các thiết bị cắt luôn sắc và sạch sẽ.** Các dụng cụ cắt được bảo trì đúng cách với các cạnh cắt sắc sẽ ít bị kẹt hơn và dễ điều khiển hơn.

- g. **Sử dụng dụng cụ điện cầm tay, các phụ kiện và mũi khoan, v.v. theo các hướng dẫn này, chú ý đến các điều kiện làm việc và công việc cần thực hiện.** Sử dụng dụng cụ điện cầm tay sai mục đích có thể gây nguy hiểm.

#### 5. Bảo dưỡng

- a. **Hãy để nhân viên bảo dưỡng có chuyên môn tiến hành bảo dưỡng dụng cụ điện cầm tay cho bạn và chỉ sử dụng các bộ phận thay thế chính hãng.** Điều này giúp đảm bảo độ an toàn của dụng cụ điện cầm tay đó.

#### Cảnh báo khác về an toàn dụng cụ điện cầm tay



**Cảnh báo!** Cảnh báo an toàn khác cho cửa cầm tay.

- **Chỉ cầm dụng cụ điện cầm tay ở phần bề mặt tay cầm cách điện, khi thực hiện thao tác nối mà phụ kiện cắt có thể tiếp xúc với hệ thống dây điện chìm hoặc dây điện của chính dụng cụ.** Phụ kiện cắt tiếp xúc với dây "có điện" có thể khiến các bộ phận kim loại hở của dụng cụ điện cầm tay "nhiễm điện" và khiến người vận hành bị điện giật.
- **Dùng kẹp hay áp dụng một biện pháp thực tế khác nhằm bảo đảm và cố định phôi gia công trên bàn máy.** Giữ phôi bằng tay hay dựa vào người bạn đều làm cho phôi không vững và có thể dẫn tới mất kiểm soát.
- **Cầm chắc cửa bằng cả hai tay khi thực hiện các hoạt động cửa.** Trong khi thực hiện các hoạt động cửa, lưỡi cửa có thể bất ngờ kẹt vào phôi gia công và có thể khiến cửa bị giật lại về phía người vận hành.
- **Tay phải để xa vùng cửa.** Tuyệt đối không với xuống dưới vật liệu vì bất cứ lý do gì. Giữ mặt trước của cửa bằng cách nắm chặt khi vực kẹp có viên. Không để ngón tay hoặc ngón tay cái gần lưỡi cửa và kẹp lưỡi cửa đang chuyển động. Không cố định máy cửa bằng cách kẹp chân đế máy cửa.
- **Đảm bảo lưỡi cửa luôn sắc.** Lưỡi cửa cùn có thể khiến máy cửa bị chệch hoặc ngừng chạy khi tác dụng lực.
- **Thận trọng hơn khi cắt ở trên cao** và đặc biệt chú ý đến dây điện, đường ống khí ga hoặc nước ở trên cao, bạn có thể không nhìn thấy những vật này. Dự đoán trước hướng rơi của cành cây và các mảnh vụn.

- **Khi cửa ống hoặc đường ống**, phải đảm bảo chúng không chứa nước, dây điện, v.v.
- **Không chạm vào phôi gia công hoặc lưỡi cửa ngay sau khi vận hành xong dụng cụ.** Có thể chúng sẽ rất nóng.

### Ký hiệu trên máy



**Cảnh báo!** Để giảm nguy cơ chấn thương, người dùng phải đọc hướng dẫn sử dụng.

### An toàn điện



Do dụng cụ này được cách điện kép nên không cần dây nối đất. Luôn kiểm tra nguồn điện có tương ứng với điện áp trên biển thông số định mức hay không.

- Thiết bị này không được thiết kế cho người thiếu kinh nghiệm hoặc không đủ sức khỏe sử dụng mà không có sự giám sát. Phải giám sát để đảm bảo trẻ không nghịch thiết bị này.
- Nếu dây cáp điện bị hỏng, việc thay thế phải do nhà sản xuất hoặc trung tâm bảo hành được ủy quyền của Stanley thực hiện để tránh gây nguy hiểm.

### Kí hiệu

Trên dụng cụ của bạn có thể có những ký hiệu sau:

V	vôn
A	Ampe
Hz	Hertz
W	Watt
phút	Phút
~	Dòng xoay chiều
==	Dòng một chiều
$n_0$	Tốc độ không tải
	Thiết kế cách điện kép
	Dây nối đất
	Ký hiệu cảnh báo an toàn
.../phút	Số vòng quay hoặc số lần qua lại trong một phút
.../bpm	Lần/phút

### Tính năng (Hình 1)

- Công tắc khởi động.
- Tay cầm chính
- Tay cầm phụ
- Vít chân đế điều chỉnh
- Chân đế điều chỉnh
- Kẹp lưỡi cửa

### Lắp ráp và điều chỉnh

**⚠ CẢNH BÁO: NGUY CƠ BỊ LƯỖI CỬA CỬA PHẢI.** Tắt và rút phích cắm dụng cụ ra khỏi nguồn điện trước khi điều chỉnh hoặc tháo lắp các giá nối hoặc phụ kiện.

**⚠ CẢNH BÁO:** Cầm chắc cửa bằng cả hai tay khi thực hiện hoạt động cắt.

**⚠ CẢNH BÁO:** Kiểm tra khu vực làm việc xem có dây điện, đường ống khí ga hoặc nước ngầm không trước khi cắt chìm hoặc cắt khuất. Không làm như vậy có thể dẫn đến giật điện, hỏa hoạn, nổ hoặc hư hỏng tài sản.

**⚠ CẢNH BÁO: NGUY CƠ BỊ LƯỖI CỬA CỬA PHẢI.** Lưỡi cửa có thể bị vỡ nếu không chuyển động tự do bên trong chân đế và cửa qua phôi gia công trong quá trình cửa. Điều này có thể làm tăng nguy cơ chấn thương cá nhân cũng như hỏng chân đế và phôi gia công.

**⚠ CẢNH BÁO: LUÔN đeo kính bảo hộ.** Kính đeo mắt hàng ngày KHÔNG phải là kính bảo hộ. Cũng có thể đeo mặt nạ che mặt hoặc chống bụi khi thực hiện các thao tác cắt gây ra bụi. LUÔN ĐEO THIẾT BỊ BẢO HỘ ĐÃ ĐƯỢC CHỨNG NHẬN.

**⚠ CẢNH BÁO: NGUY CƠ BỊ LƯỖI CỬA CỬA PHẢI.** Trước khi cửa bất kỳ loại vật liệu này, hãy đảm bảo cố định hoặc kẹp chặt để vật liệu không bị trượt.

- Bật động cơ máy cửa trước khi tác dụng lực.
- Nhẹ nhàng đặt lưỡi cửa vào phôi gia công cần cửa.

**⚠ CẢNH BÁO: NGUY CƠ BỊ LƯỖI CỬA CỬA PHẢI.** Tuyệt đối không cầm và sử dụng sản phẩm khi ngón tay của bạn cầm vào nút điều chỉnh chân đế. Luôn cầm chắc máy cửa bằng cả hai tay khi cửa như được minh họa trong **Hình 2**. Luôn ấn chắc chân đế máy cửa vào vật liệu được cửa trong trường hợp có thể. Việc này sẽ ngăn máy cửa này hoặc rung đồng thời giảm thiểu khả năng vỡ lưỡi cửa.

### CÔNG TẮC ĐIỀU TỐC (hình 3)

Công tắc điều tốc sẽ giúp bạn điều khiển thiết bị linh hoạt hơn. Càng ấn mạnh công tắc điều tốc thì tốc độ cửa càng lớn. Để "TẮT" dụng cụ, hãy nhả công tắc khởi động.

**⚠ CẢNH BÁO: NGUY CƠ BỊ LƯỖI CỬA CỬA PHẢI.** Dụng cụ này không có bộ phận khóa công tắc điều tốc vào vị trí BẬT và không được dùng các vật dụng khác để khóa công tắc vào vị trí này.

## THÁO VÀ LẮP LƯỚI CỬA (hình 4)

**⚠ CẢNH BÁO: NGUY CƠ BỊ LƯỚI CỬA CỬA PHẢI.** Tắt và rút phích cắm dụng cụ ra khỏi nguồn điện trước khi điều chỉnh hoặc tháo lắp các gá nổi hoặc phụ kiện.

Lưới cửa phải di chuyển tự do bên trong chân đế và cửa qua độ dày của phôi gia công trong quá trình cửa. Chọn lưới cửa phù hợp nhất cho vật liệu cần cửa và sử dụng lưới cửa ngắn nhất phù hợp với độ dày của vật liệu. Không sử dụng lưới cửa xoi với dụng cụ này.

**⚠ CẢNH BÁO: NGUY CƠ BỊ LƯỚI CỬA CỬA PHẢI.** Lưới cửa có thể bị vỡ nếu không chuyển động tự do bên trong chân đế và cửa qua phôi gia công trong quá trình cửa. Điều này có thể làm tăng nguy cơ chấn thương cá nhân cũng như hỏng hóc chân đế và phôi gia công.

**⚠ CẢNH BÁO: NGUY CƠ BỊ LƯỚI CỬA CỬA PHẢI.** Lưới cửa có thể bị vỡ nếu không chuyển động tự do bên trong chân đế và cửa qua phôi gia công trong quá trình cửa. Điều này có thể làm tăng nguy cơ chấn thương cá nhân cũng như hỏng hóc chân đế và phôi gia công.

### ĐỂ LẮP LƯỚI CỬA VÀO MÁY CỬA

1. Hướng dụng cụ ra xa cơ thể.
2. Xoay vòng kẹp lưới cửa theo hướng như được minh họa trong hình 4.
3. Lắp cán cửa lưới cửa vào vòng kẹp lưới cửa.
4. Nhả vòng kẹp lưới cửa để khóa lưới cửa vào đúng vị trí.

**LƯU Ý:** Có thể lắp lưới cửa sao cho răng cửa quay lên trên để hỗ trợ cắt phẳng.

### ĐỂ THÁO LƯỚI CỬA RA KHỎI MÁY CỬA

**⚠ CẢNH BÁO: NGUY CƠ BỊ LƯỚI CỬA CỬA PHẢI.** Tắt và rút phích cắm dụng cụ ra khỏi nguồn điện trước khi điều chỉnh hoặc tháo lắp các gá nổi hoặc phụ kiện.

**⚠ CẢNH BÁO:** Nguy cơ gây bông. Không được chạm vào lưới cửa ngay sau khi sử dụng. Tiếp xúc với lưới cửa có thể gây chấn thương cá nhân.

1. Xoay vòng kẹp lưới cửa tới vị trí nhả.
2. Tháo lưới cửa.

### CHÂN ĐẾ ĐIỀU CHỈNH (hình 5)

**⚠ CẢNH BÁO: NGUY CƠ BỊ LƯỚI CỬA CỬA PHẢI.** Lưới cửa có thể bị vỡ nếu không chuyển động tự do bên trong chân đế và cửa qua phôi gia công trong quá trình cửa. Điều này có thể làm tăng nguy cơ chấn thương cá nhân cũng như hỏng hóc chân đế và phôi gia công.

**⚠ CẢNH BÁO: NGUY CƠ BỊ LƯỚI CỬA CỬA PHẢI.**

**PHẢI.** Tắt và rút phích cắm dụng cụ ra khỏi nguồn điện trước khi điều chỉnh hoặc tháo lắp các gá nổi hoặc phụ kiện.

Chân đế sẽ điều chỉnh để hạn chế độ sâu vết cắt. Sử dụng chia lục giác M4 (5/32 inch) (không đi kèm với dụng cụ) để nối lỏng vít (Hình 5) rồi trượt chân đế ra đến độ sâu mong muốn, sau đó vặn chặt lại vít.

**⚠ THẬN TRỌNG: NGUY CƠ BỊ LƯỚI CỬA CỬA PHẢI.** Để tránh mất kiểm soát, tuyệt đối không được sử dụng dụng cụ mà không có chân đế.

**⚠ THẬN TRỌNG: NGUY CƠ CHẤN THƯƠNG CÁ NHÂN VÀ HƯ HỎNG TÀI SẢN.** Đảm bảo rằng để đã được khóa vào vị trí trước khi sử dụng dụng cụ.

### CẮT PHẪNG (hình 6)

- Thiết kế chắc chắn của vỏ động cơ máy cửa kiểm và chân đế trực cho phép cắt sát với sàn, các góc và các khu vực khó cắt khác.
- Để tối đa hóa khả năng cắt phẳng, hãy lắp cán cửa lưới cửa vào kẹp lưới cửa sao cho răng cửa quay lên trên.
- Lật úp máy cửa xuống sao cho bạn gần với mặt phẳng làm việc nhất có thể.

### CẮT KIM LOẠI (hình 7)

- Dùng lưới cửa có răng sắc hơn cho kim loại đen và lưới cửa thô cho kim loại màu.
- Khi cửa kim loại tấm mỏng, tốt nhất là kẹp gỗ vào mặt dưới của tấm kim loại. Điều này sẽ đảm bảo tạo ra đường cắt thẳng mà không gây rung quá mức hoặc rách kim loại.
- Tránh ấn mạnh lưới cửa vì điều này làm giảm tuổi thọ của lưới cửa và gây ra hiện tượng vỡ lưới cửa tốn kém.

**LƯU Ý:** Bôi một lớp dầu mỏng hoặc chất làm mát khác dọc theo đường cửa để thực hiện dễ dàng hơn và kéo dài tuổi thọ của lưới cửa hơn.

### CỬA TẠO HÓC - CHỈ VỚI GỖ (hình 8)

- Đo diện tích bề mặt cần cửa và đánh dấu rõ ràng bằng bút chì, phấn hoặc mũi nhọn.
- Lắp lưới cửa vào kẹp lưới cửa rồi vặn chặt.
- Đưa máy cửa về phía sau cho đến khi cạnh dưới của chân đế nằm trên bề mặt phôi và lưới cửa di chuyển ra ngoài hết cỡ sẽ không chạm vào bề mặt.
- Cầm dụng cụ bằng cả hai tay, bật động cơ rồi chờ lưới cửa đạt đến tốc độ tối đa.

- Bắt đầu từ từ nâng tay cầm chính của máy cưa lên.
- Lưỡi cưa sẽ bắt đầu cưa vào vật liệu. Luôn đảm bảo rằng lưỡi cưa cưa qua vật liệu hoàn toàn trước khi tiếp tục cưa tạo hốc.

**LƯU Ý:** Ở những nơi khó quan sát lưỡi cưa, hãy sử dụng cạnh của chân đế làm cơ sở.

## CẮM NANG LÀM VIỆC

- Chỉ cưa bằng lưỡi cưa sắc; lưỡi cưa sắc cưa thẳng hơn, nhanh hơn và tác dụng ít lực vào động cơ hơn trong quá trình cưa.
- Trong quá trình cưa, luôn đảm bảo chân đế ty chắc chắn vào phôi gia công và cố định để phôi gia công không di chuyển/bị lệch. Điều này sẽ giúp nâng cao khả năng kiểm soát của người vận hành và giảm thiểu hiện tượng rung.
- Để kéo dài tuổi thọ của lưỡi cưa, hãy sử dụng lưỡi cưa hai kim loại. Những lưỡi cưa này sử dụng phần thân bằng thép cacbon được hàn với răng cưa thép tốc độ cao làm cho lưỡi cưa linh hoạt hơn và giảm nguy cơ vỡ lưỡi cưa.

## PHỤ KIỆN

Máy cưa này có thể sử dụng cùng với lưỡi cưa có độ dài lên đến 12 inch. Luôn sử dụng lưỡi cưa ngắn nhất thích hợp với công việc của bạn tuy nhiên đủ để sử dụng lưỡi cưa cắt vật liệu. Lưỡi cưa dài hơn sẽ dễ bị bẻ cong hoặc hỏng trong quá trình sử dụng.

Trong quá trình sử dụng, một số lưỡi cưa dài hơn có thể lắc hoặc rung nếu cưa không tiếp xúc với phôi gia công.

**⚠ CẢNH BÁO:** Vì các phụ kiện, ngoài các phụ kiện do Stanley cung cấp, chưa được kiểm tra với sản phẩm này nên việc sử dụng chúng cùng với dụng cụ này có thể gây nguy hiểm. Để giảm nguy cơ chấn thương, chỉ được sử dụng các phụ kiện do Stanley khuyến nghị cho sản phẩm này.

## Bảo trì

Dụng cụ của Stanley được thiết kế để vận hành trong thời gian dài và ít phải bảo trì nhất. Dụng cụ vận hành liên tục theo ý muốn tùy thuộc vào việc bảo quản dụng cụ đúng cách và vệ sinh thường xuyên.

**⚠ Cảnh báo!** Trước khi tiến hành bảo trì, hãy tắt và rút phích cắm dụng cụ ra khỏi ổ cắm.

- Thường xuyên lau chùi các khe thông gió trong dụng cụ bằng chổi khô mềm hoặc khăn khô.
- Thường xuyên lau chùi vỏ động cơ bằng khăn

ấm sạch. Không dùng chất tẩy rửa có chứa dung môi hay chất mài mòn.

## Thông tin dịch vụ

Stanley có sẵn một mạng lưới các trung tâm trực thuộc và ủy quyền trên khắp Châu Á. Tất cả các trung tâm dịch vụ đều có đội ngũ nhân viên lành nghề để cung cấp tới khách hàng dịch vụ hiệu quả và đáng tin cậy. Khi cần tư vấn kỹ thuật, sửa chữa hoặc phụ kiện thay thế chính hãng, liên hệ với Stanley gần bạn nhất.

## Lưu ý

- Chính sách của Stanley không ngừng cải thiện với các sản phẩm và do đó, chúng tôi có quyền thay đổi thông số kỹ thuật sản phẩm mà không cần báo trước.
- Các thiết bị và phụ kiện chuẩn có thể khác nhau tùy theo từng quốc gia.
- Thông số kỹ thuật của sản phẩm có thể khác nhau tùy theo từng quốc gia.
- Danh mục sản phẩm hoàn chỉnh có thể không có mặt tại tất cả các quốc gia. Liên hệ với các đại lý của Stanley tại quốc gia bạn để được cung cấp danh mục sản phẩm.