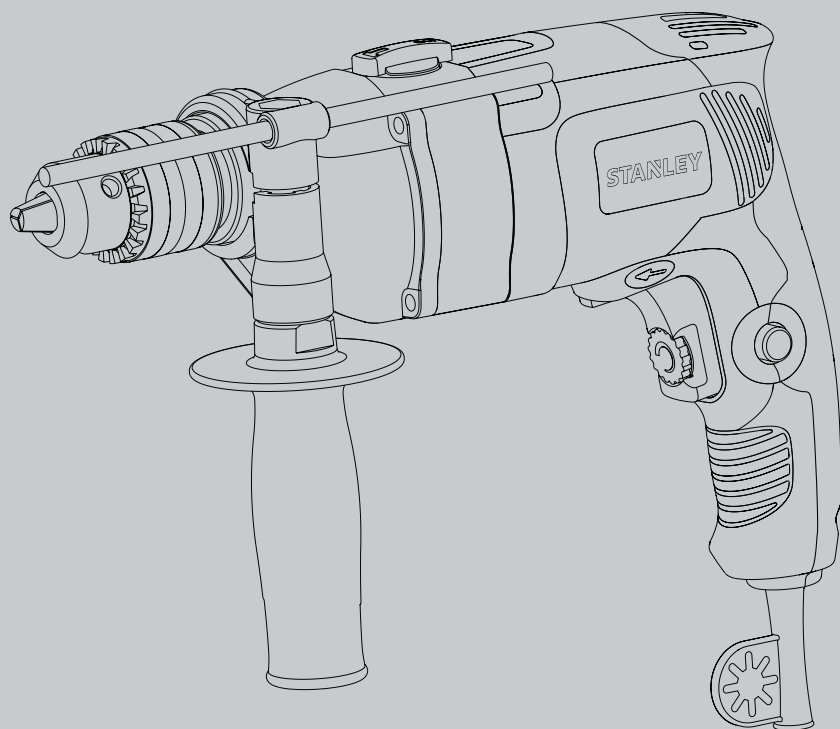
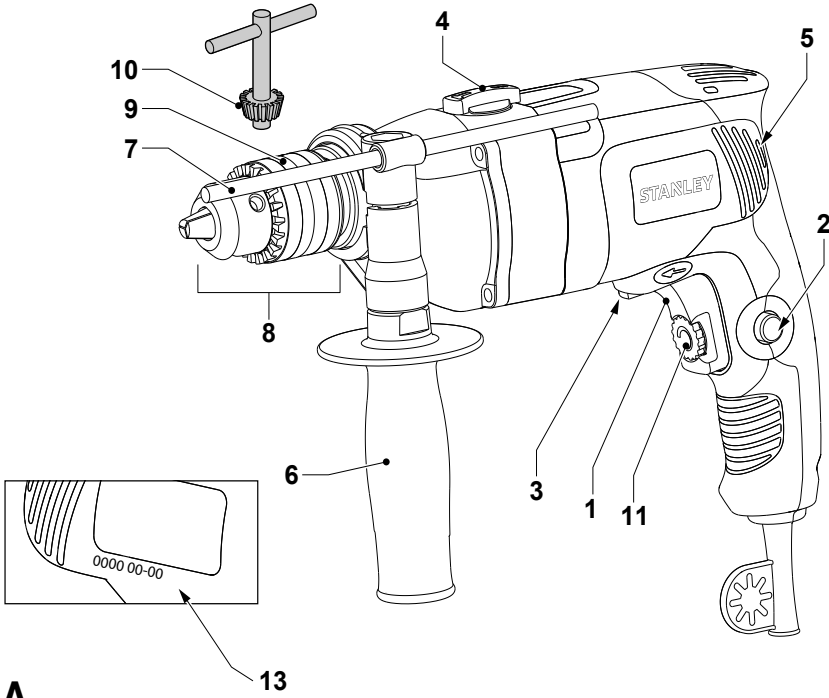


STANLEY

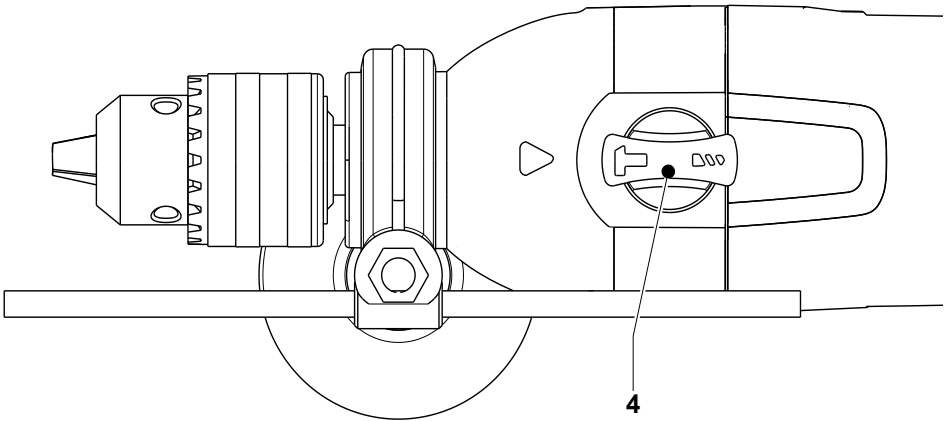


STDH7213

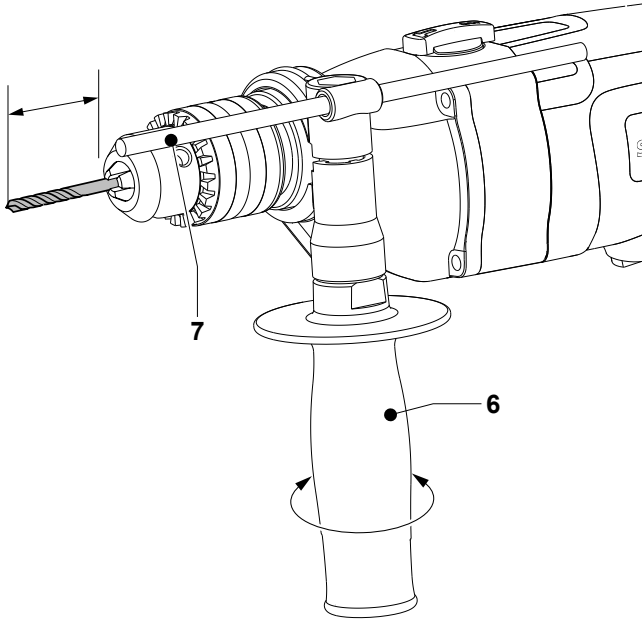
ENGLISH	4
繁体中文	10
한국어	16
Bahasa Indonesia	22
ภาษาไทย	28
Tiếng Việt	35



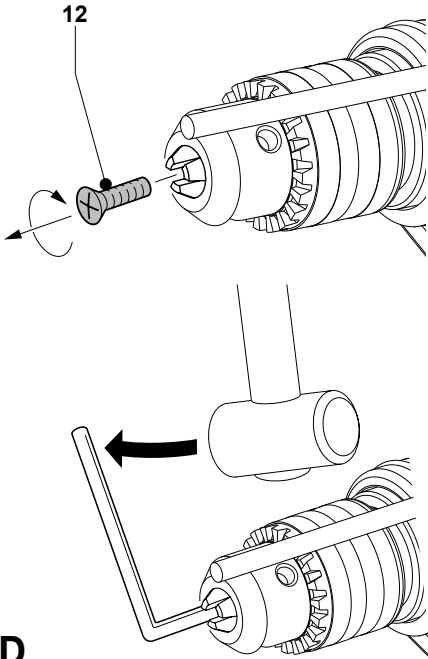
A



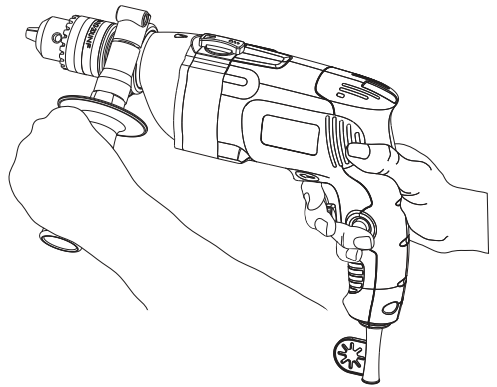
B



C



D



E

STDH7213 13mm Impact Drill

Technical data

Impact Drill		STDH7213			
		-B1	-XD	-TW	-KR
Voltage	V	220-240	220-240	110	220
Frequency	Hz	50/60	50/60	60	60
Power input	W	720			
No-load speed	/min	0-3000 (0-2900 TW)			
Impact rate	IPM	54000 (52200 TW)			
Reverse/Forward rotation		Yes			
Chuck capacity	mm	1.5-13			
Max capacity	mm				
- Concrete		16			
- Metal		13			
-Wood		32			
Weight	kg	2.5			

Intended use

Your Stanley impact drill has been designed for drilling in wood, metal and concrete. This tool is intended for consumer use only.

General Power tool Safety Warnings



Warning! Read all safety warnings and all instructions. Failure to follow the warnings and instructions may result in electric shock, fire and/or serious injury.

Save all warnings and instructions for future reference. The term "power tool" in all of the warnings listed below refers to your mains operated (corded) power tool or battery operated (cordless) power tool.

1. Work area safety

- Keep work area clean and well lit.** Cluttered or dark areas invite accidents.
- Do not operate power tools in explosive atmospheres, such as in the presence of flammable liquids, gases or dust.** Power tools create sparks which may ignite the dust or fumes.

- Keep children and bystanders away while operating a power tool.** Distractions can cause you to lose control.

2. Electrical safety

- Power tool plugs must match the outlet. Never modify the plug in any way. Do not use any adapter plugs with earthed (grounded) power tools.** Unmodified plugs and matching outlets will reduce risk of electric shock.
- Avoid body contact with earthed or grounded surfaces, such as pipes, radiators, ranges and refrigerators.** There is an increased risk of electric shock if your body is earthed or grounded.
- Do not expose power tools to rain or wet conditions.** Water entering a power tool will increase the risk of electric shock.
- Do not abuse the cord. Never use the cord for carrying, pulling or unplugging the power tool. Keep cord away from heat, oil, sharp edges or moving parts.** Damaged or entangled cords increase the risk of electric shock.
- When operating a power tool outdoors, use an extension cord suitable for outdoor use.** Use of a cord suitable for outdoor use reduces the risk of electric shock.
- If operating a power tool in a damp location is unavoidable, use a residual current device (RCD) protected supply.** Use of an RCD reduces the risk of electric shock.

3. Personal safety

- Stay alert, watch what you are doing and use common sense when operating a power tool. Do not use a power tool while you are tired or under the influence of drugs, alcohol or medication.** A moment of inattention while operating power tools may result in serious personal injury.
- Use personal protective equipment. Always wear eye protection.** Protective equipment such as dust mask, non-skid safety shoes, hard hat, or hearing protection used for appropriate conditions will reduce personal injuries.
- Prevent unintentional starting. Ensure the switch is in the off-position before connecting to power source and/or battery pack, picking up or carrying the tool.** Carrying power tools with your finger on the switch or energising power tools that have the switch on invites accidents.
- Remove any adjusting key or wrench before**

turning the power tool on. A wrench or a key left attached to a rotating part of the power tool may result in personal injury.

- e. **Do not overreach. Keep proper footing and balance at all times.** This enables better control of the power tool in unexpected situations.
- f. **Dress properly. Do not wear loose clothing or jewellery. Keep your hair, clothing and gloves away from moving parts.** Loose clothes, jewellery or long hair can be caught in moving parts.
- g. **If devices are provided for the connection of dust extraction and collection facilities, ensure these are connected and properly used.** Use of dust collection can reduce dust-related hazards.

4. Power tool use and care

- a. **Do not force the power tool. Use the correct power tool for your application.** The correct power tool will do the job better and safer at the rate for which it was designed.
- b. **Do not use the power tool if the switch does not turn it on and off.** Any power tool that cannot be controlled with the switch is dangerous and must be repaired.
- c. **Disconnect the plug from the power source and/or the battery pack from the power tool before making any adjustments, changing accessories, or storing power tools.** Such preventive safety measures reduce the risk of starting the power tool accidentally.
- d. **Store idle power tools out of the reach of children and do not allow persons unfamiliar with the power tool or these instructions to operate the power tool.** Power tools are dangerous in the hands of untrained users.
- e. **Maintain power tools. Check for misalignment or binding of moving parts, breakage of parts and any other condition that may affect the power tool's operation. If damaged, have the power tool repaired before use.** Many accidents are caused by poorly maintained power tools.
- f. **Keep cutting tools sharp and clean.** Properly maintained cutting tools with sharp cutting edges are less likely to bind and are easier to control.
- g. **Use the power tool, accessories and tool bits etc. in accordance with these instructions, taking into account the working conditions and the work to be performed.** Use of the power tool for operations different from those intended could result in a hazardous

situation.

5. Service

- a. **Have your power tool serviced by a qualified repair person using only identical replacement parts.** This will ensure that the safety of the power tool is maintained.

Additional Power Tool Safety Warnings



Warning! Additional safety warnings for drills and impact drills

Drill Safety Warnings

- ◆ **Wear ear protectors when impact drilling.** Exposure to noise can cause hearing loss.
- ◆ **Use auxiliary handle(s), if supplied with the tool.** Loss of control can cause personal injury.
- ◆ **Hold power tool by insulated gripping surfaces, when performing an operation where the cutting accessory may contact hidden wiring or its own cord.** Cutting accessory contacting a "live" wire may make exposed metal parts of the power tool "live" and could give the operator an electric shock.
- ◆ Use clamps or another practical way to secure and support the workpiece to a stable platform. Holding the work by hand or against your body leaves it unstable and may lead to loss of control.
- ◆ Before drilling into walls, floors or ceilings, check for the location of wiring and pipes.
- ◆ Avoid touching the tip of a drill bit just after drilling, as it may be hot.
- ◆ This tool is not intended for use by persons (including children) with reduced physical, sensory or mental capabilities, or lack of experience and knowledge, unless they have been given supervision or instruction concerning use of the appliance by a person responsible for their safety. Children should be supervised to ensure that they do not play with the appliance.
- ◆ The intended use is described in this instruction manual. The use of any accessory or attachment or performance of any operation with this tool other than those recommended in this instruction manual may present a risk of personal injury and/or damage to property.

Safety of others

- ◆ This appliance is not intended for use by persons (including children) with reduced physical, sensory or mental capabilities, or lack of experience and knowledge, unless they have been given supervision or instruction concerning use

of the appliance by a person responsible for their safety.

- ◆ Children should be supervised to ensure that they do not play with the appliance.

Residual risks

Additional residual risks may arise when using the tool which may not be included in the enclosed safety warnings. These risks can arise from misuse, prolonged use etc. Even with the application of the relevant safety regulations and the implementation of safety devices, certain residual risks can not be avoided. These include:

- ◆ Injuries caused by touching any rotating/moving parts.
- ◆ Injuries caused when changing any parts, blades or accessories.
- ◆ Injuries caused by prolonged use of a tool. When using any tool for prolonged periods ensure you take regular breaks.
- ◆ Impairment of hearing.
- ◆ Health hazards caused by breathing dust developed when using your tool (example:- working with wood, especially oak, beech and MDF.)

Label on the tool

The following symbols are shown on the tool:



Warning! In order to reduce the risk of injury, the user must read the manual.

Date code position (fig. A)

The date code (13) is printed on the housing of the tool, which also contains the year of manufacture.

For example: 2014 XX JN

Year of manufacture

Electrical safety



Double insulation measures are taken in this power tool, so no grounding is needed. Please check whether the voltage of power supplied is consistent with the voltage on the nameplate or not.

- ◆ If the wire is damaged, it should be replaced by the manufacturer or a service center authorized by Stanley, to avoid danger.

Using an extension cable

If an extension cable is required, use an approved

extension cable suitable for the power input of this tool (see technical data). The minimum conductor size is 1.5 mm².

When using a cable reel, always unwind the cable completely.

Also refer to the table below.

Conductor size (mm ²)		Cable rating (Amperes)					
0.75		6					
1.00		10					
1.50		15					
2.50		20					
4.00		25					
Cable length (m)							
		7.5	15	25	30	45	60
Voltage	Amperes	Cable rating (Amperes)					
115	0 - 2.0	6	6	6	6	6	10
	2.1 - 3.4	6	6	6	6	15	15
	3.5 - 5.0	6	6	10	15	20	20
	5.1 - 7.0	10	10	15	20	20	25
	7.1 - 12.0	15	15	20	25	25	-
230	12.1 - 20.0	20	20	25	-	-	-
	0 - 2.0	6	6	6	6	6	6
	2.1 - 3.4	6	6	6	6	6	6
	3.5 - 5.0	6	6	6	6	10	15
	5.1 - 7.0	10	10	10	10	15	15
7.1 - 12.0	15	15	15	15	20	20	
12.1 - 20.0	20	20	20	20	25	-	

Package contents

The package contains:

- 1 Impact drill
- 1 Side handle
- 1 Depth gauge
- 1 Chuck key
- 1 Instruction manual
- ◆ Check for damage to the tool, parts or accessories which may have occurred during transport.
- ◆ Take the time to thoroughly read and understand this manual prior to operation.

Description (fig. A)


- 1 Variable speed switch
- 2 Lock-on button
- 3 Forward/reverse slider
- 4 Mode selector
- 5 Ventilation slots
- 6 Side handle
- 7 Depth adjustment rod
- 8 Keyed chuck
- 9 Sleeve
- 10 Chuck key
- 11.Speed dial


Assembly

Warning! Before assembly, please ensure that the power tool is powered off and the power plug of the tool is unplugged from the power source.

Selecting the operating mode (fig. B)

The tool can be used in two operating modes:

 Rotary drilling:
for steel, wood and plastics.

 Impact drilling:
simultaneous rotating and impacting for
concrete and masonry drilling operations.

- ◆ Select the required operating mode by rotating the mode selector (4) to the required position.

Inserting and removing a bit (fig. A)

Keyed chuck

- ◆ Open the chuck by turning the sleeve (9) counterclockwise and insert the bit shank.
- ◆ Put the chuck key (10) into each hole in the side of the chuck and turn clockwise until tight.
- ◆ To remove the bit, proceed in reverse order.

Fitting the side handle (fig. A)

The side handle (6) can be fitted to suit both RH- and LH-users.



Always use the drill with the side handle properly assembled.

- ◆ Loosen the side handle.
- ◆ For RH-users, slide the side handle clamp over the collar behind the chuck, handle at the left.
- ◆ For LH-users, slide the side handle clamp over the collar behind the chuck, handle at the right.
- ◆ Rotate the side handle to the desired position and tighten the handle.

Setting the drilling depth (fig. C)

- ◆ Insert the required drill bit into the chuck.
- ◆ Slacken the side handle (6).
- ◆ Fit the depth adjustment rod (7) through the hole in the side handle clamp.
- ◆ Adjust the drilling depth as shown.
- ◆ Tighten the side handle.

Forward/reverse slider (fig. A)

- ◆ To select forward or reverse rotation, use the forward/reverse-switch (3) (see arrow on tool).



Always wait until the motor has come to a complete standstill before changing the

direction of rotation.

Chuck removal (fig. D)

- ◆ Open the chuck jaws as far as possible
- ◆ Insert a screwdriver into the chuck and remove the chuck retaining screw (12) by turning clockwise.
- ◆ Tighten an Allen key into the chuck and strike it with a hammer as shown.

Instructions for use

- ◆ Always observe the safety instructions and applicable regulations.
- ◆ Be aware of the location of pipework and wiring.
- ◆ Apply only a gentle pressure to the tool. Excessive force does not speed up drilling but decreases tool performance and may shorten tool life.
- ◆ Wear ear protectors with impact drills. Exposure to noise can cause hearing loss.
- ◆ Use auxiliary handles supplied with the tool. Loss of control can cause personal injury.
- ◆ Hold power tool by insulated gripping surfaces, when performing an operation where the cutting accessory may contact hidden wiring or its own cord. Cutting accessory contacting a "live" wire may make exposed metal parts of the power tool "live" and shock the operator.
- ◆ If operating a power tool in a damp location is unavoidable, use a residual current device (RCD) protected supply. Use of an RCD reduces the risk of electric shock.

Prior to operation

- ◆ Insert the appropriate bit.
- ◆ Mark the spot where the hole is to be drilled.

Proper Hand Position (fig. A, E)



WARNING: To reduce the risk of serious personal injury, **ALWAYS** use proper hand position as shown.



WARNING: To reduce the risk of serious personal injury, **ALWAYS** hold securely in anticipation of a sudden reaction.

Proper hand position requires one hand on the side handle (6), with the other hand on the main handle.

Switching on and off

- ◆ To switch the tool on, press the variable speed switch (1). The tool speed depends on how far

you press the switch.

- ◆ For continuous operation, press the lock-on button (2) and release the variable speed switch. This option is available only at full speed.
- ◆ To switch the tool off, release the variable speed switch. To switch the tool off when in continuous operation, press the variable speed switch once more and release it.
- ◆ Based on the different applications, turn around the speed dial (11) to control the maximum speed.

Drilling in metal

Start drilling with slow speed and increase to full power while applying firm pressure on the tool. A smooth even flow of metal chips indicates the proper drilling rate. Use a cutting lubricant when drilling metals. The exceptions are cast iron and brass which should be drilled dry.

NOTE: Large [5/16" (8 mm) to 1/2" (13 mm)] holes in steel can be made easier if a pilot hole [5/32" (4 mm) to 3/16" (5 mm)] is drilled first.

Drilling in wood

Start drilling with slow speed and increase to full power while applying firm pressure on the tool. Holes in wood can be made with the same twist drills used for metal. These bits may overheat unless pulled out frequently to clear chips from the flutes. Work that is apt to splinter should be backed up with a block of wood.

Drilling in masonry

When drilling in masonry, use carbide-tipped bits rated for Impact drilling and be certain that the bits are sharp. Use a constant and firm force on the tool to drill most effectively. A smooth, even flow of dust indicates the proper drilling rate.

Screwdriving

- ◆ Select forward or reverse rotation.

Impact drilling (fig. A)

- ◆ Select the Impact mode.
- ◆ Press the switch (1).

Rotary drilling (fig. A)

- ◆ Select the rotary drilling mode.
 - ◆ Proceed as described for Impact drilling.
- Consult your dealer for further information on the

appropriate accessories.

Accessories

The performance of an electric tool depends on its accessories. Stanley accessories are designed according to high quality standards, to enhance the performance of electric tool. The use of these accessories can help you conveniently operate the tool.

Maintenance

The Stanley cord / cordless appliance / tools are of sophisticated design, can be used for a long time, and only little maintenance is needed. To obtain consistent satisfactory use, proper maintenance and regular cleaning of the tools are necessary.

Warning! Before performing any maintenance work on the cord / cordless electric tools, the following points must be implemented:

- ◆ Switch off the power of the equipment / tools and pull off the plug;
- ◆ If the equipment / tools are equipped with independent battery pack, please turn off the power and remove the battery pack from the equipment / tools.
- ◆ If the equipment / tools are equipped with an integrated battery, please run out the battery, before turning off its power.
- ◆ Before the cleaning, unplug the charger plug from the power source. In addition, except the regular cleaning on your charger, no other maintenance is needed.
- ◆ Regularly use the soft brush or dry cloth to clean the ventilation slot of the equipment / tools / charger.
- ◆ Regularly use a damp cloth to clean the motor housing. Please do not use any abrasive cleaning agents or solvent-based cleansing agents.
- ◆ Regularly open the clamping chuck and tap it gently to remove any internal dust (after installation).



Cleaning



Warning! Once the visible dust build-up is found at and/or around the ventilating ports, immediately flush the dust and powder within the host shell with clean dry air. To perform this procedure, wear the approved safety equipment and dust mask.



Warning! It is strictly forbidden to clean the non-metallic parts of the tool with the solvents or other irritant chemicals. These chemicals may weaken the materials of these components. Use a cloth moistened with a mild soapy water to clean it. Do not let any substance permeate into the tool and do not immerse any part of the tool into a liquid.

Protect the environment



Separate collection. This product may not be disposed together with the ordinary household waste.

If you find that your Stanley products are needed to be replaced or you will no longer need to use these products, please do not put them together with the household waste. Please place them separately to recycle.



Separate collection of the used products and packaging materials allow the materials to be recycled and reused.

Reuse of the recycled materials helps to prevent the pollution of the environment, and reduces the demand for raw materials. Local regulations may provide separate collection of the electrical products from the household, at the municipal waste sites or by the retailer when you purchase a new product.

Service Information

Stanley offers a full network of company-owned and authorized service locations throughout Asia. All Stanley Service Centers are staffed with trained personnel to provide customers with efficient and reliable power tool service. Whether you need technical advice, repair, or genuine factory replacement parts, contact the Stanley location nearest to you.

Notes

- ◆ Stanley's policy is one of continuous improvement to our products and, as such, we reserve the right to change product specifications without prior notice.
- ◆ Standard equipment and accessories may vary by country.
- ◆ Product specifications may differ by country.
- ◆ Complete product range may not be available in all countries. Contact your local Stanley dealers for range availability.

STDH7213 13mm 震動電鑽

技術資料

震動電鑽		STDH7213			
		-B1	-XD	-TW	-KR
電壓	V	220-240	220-240	110	220
赫茲	Hz	50/60	50/60	60	60
輸入功率	W			720	
空載速度	/min	0-3000 (0-2900 TW)			
衝擊率	IPM	54000 (52200 TW)			
反向/正向旋轉		有			
夾頭尺寸	mm	1.5-13			
最大效能	mm				
- 混凝土		16			
- 金屬		13			
- 木材		32			
重量	kg	2.5			

設計用途

您的 Stanley 震動電鑽設計用於在木材、金屬和混凝土上鑽孔。本工具只供消費者使用。

電動工具一般安全警告



警告！ 請閱讀安全警告及所有指示。不遵循這些警告和指示可能會導致觸電、火災及/或嚴重傷害。

請妥善保存所有的警告和使用手冊以備將來查閱。警告中的名詞「電動工具」是指電源驅動（插電）電動工具，或者電池驅動（充電）電動工具。

1. 工作場地安全

- 保持工作場地清潔明亮。混亂或黑暗的場地會引發事故。
- 不要在易爆環境，如有易燃液體、氣體或粉塵的環境中操作電動工具。電動工具產生的火花會

點燃粉塵或氣體。

- 請等待兒童和旁觀者離開之後才操縱電動工具。分心會導致您疏於控制。

2. 電氣安全

- 電動工具插頭必須與插座相符。切勿以任何方式改裝插頭。需接地的電動工具不能使用任何配接器插頭。未經改裝的插頭和相符的插座可以減少觸電危險。
- 避免人體接觸接地表面，如管道、散熱片、爐灶和冰箱。若您的身體接地，可增加觸電危險。
- 不得將電動工具暴露在雨中或潮濕環境中。水進入電動工具會增加觸電危險。
- 切勿濫用電線。請勿使用電線來搬運、拉動電動工具或拔出插頭。讓電線遠離熱、油、銳邊和活動部件。受損或纏繞的電線可增加觸電危險。
- 若要在戶外使用電動工具，請使用適合戶外使用的延長電纜。使用適合戶外使用的電線可減少觸電危險。
- 若必須在潮濕場合使用電動工具，請使用漏電保護器 (RCD)。使用 RCD 可降低觸電危險。

3. 人身安全

- 保持警覺；在操作電動工具時，請留意所執行的操作並按照一般的常識執行。切勿在疲倦，或受到藥物、酒精或治療的影響下操作電動工具。操作電動工具期間注意力分散會導致嚴重人身傷害。
- 使用個人防護裝置。始終佩戴護目裝備。防護裝置，例如在適當條件下可使用的防塵面具、防滑安全鞋、安全帽或聽力保護等裝置可減少人身傷害。
- 避免意外啟動。連接電源及/或電池組、撿取或搬運電動工具之前，請確定開關處於關閉位置。搬運電動工具時若將手指放在開關上，或是在接通開關電源時插入插頭都會引發危險。
- 接通電動工具之前，請卸下所有的調整鑰匙或扳手。遺留在電動工具旋轉部件上的扳手或鑰匙會導致人身傷害。
- 不要過度伸張雙手。時刻注意腳下和身體的平衡。如此即可在發生意外的情況下更好地控制電動工具。

- f. 適當穿著。不要穿寬鬆衣服或佩戴飾品。寬鬆衣服、佩飾和長髮可能會捲入活動部件。寬鬆衣服、佩飾和長髮可能會捲入活動部件。
- g. 若配備用於連接排屑裝置、集塵設備的裝置，請確定正確連接和使用這些裝置。使用集塵設備可減少與粉塵有關的危險。
4. 電動工具的使用與注意事項
- a. 不要超負荷使用電動工具。根據您的用途使用適當的電動工具。使用適當的電動工具在其設計可負荷的應用內，會讓您更有效、更安全地執行工作。
- b. 若開關不能開啟或關閉電源，切勿使用該電動工具。不能用開關來控制的電動工具將存在危險，必須進行維修。
- c. 在執行任何調整、更換配件或儲存電動工具之前，必須從電源上拔掉插頭及/或卸下電池組。這類防護性措施可降低電動工具意外啟動的風險。
- d. 將閒置的電動工具儲存在兒童無法接觸的地方，並且不要讓不熟悉電動工具或對這些說明不瞭解的人員操作電動工具。電動工具在未經培訓的使用者手中會發生危險。
- e. 維護電動工具。檢查活動部件是否對準或卡住、是否存在任何破損情況，或任何能影響電動工具運行的其他情況。若有損毀，必須在使用之前修理電動工具。許多事故都是由於電動工具欠缺維護所導致。
- f. 保持刀具鋒利和清潔。妥善維護、切削鋒利的切割工具不會輕易卡住並可更輕鬆控制。
- g. 遵循使用指示、特定類型電動工具的專用方式，以及工作條件和所要執行的工作來使用電動工具、配件和工具鑽頭等。不按照設計目使用電動工具將會導致危險。

5. 檢修

- a. 本電動工具必須由合格的維修人員並只採用相同的原廠零件來執行檢修。這將確保電動工具的安全性。

電動工具之附加安全警告



警告！ 電鑽與震動電鑽之附加安全警告

電鑽之安全警告

- ◆ 請在使用震動電鑽時佩戴聽力保護器。噪音會使聽力受損。
- ◆ 請使用工具隨附的輔助手柄。工具失控會導致人身傷害。
- ◆ 若在執行操作時切削配件可能會接觸隱藏的電線或它本身的電線，則從絕緣手柄表面握住電動工具。切削配件接觸到「帶電」導線，電動工具金屬部件表面就會「帶電」，從而導致操作人員觸電。
- ◆ 使用夾具或採取其他可行的方法，將工件固定、支撐到穩定的平台上。手持工件或用身體抵住工件會使工件不穩定並可能導致失控。
- ◆ 在牆上、地板和天花板上鑽孔前，請檢查電線和鋼管位置。
- ◆ 不要在鑽孔後立刻碰觸可能還帶熱的鑽頭尖端。
- ◆ 體力、感覺或智力不足，或者缺乏經驗及知識的人員（包括小孩）不適合使用本工具，除非負責他們安全的人員已經為他們提供關於使用此器具的監督或指示。必須監督小孩，確保他們沒有耍玩器具。
- ◆ 本說明書對器具的設計用途進行了描述。使用非本使用手冊所建議的任何其他配件或附件，或使用本工具執行非本使用手冊中所建議的任何其他操作，可能會有的人身傷害及/或財損的風險。

他人的安全

- ◆ 體力、感覺或智力不足，或者缺乏經驗及知識的人員（包括小孩）不適合使用本器具，除非負責他們安全的人員已經為他們提供關於使用此器具的監督或指示。
- ◆ 必須監督小孩，確保他們沒有耍玩器具。

剩餘風險

使用工具時可能會出現未包括在隨附的安全警告中的其他剩餘風險。濫用、長時間使用等也會導致這些風險。即使應用有關的安全規定並採用安全設

備，仍然還有一些無法避免的剩餘風險。此類風險包括：

- ◆ 接觸旋轉/活動部件引起的傷害。
- ◆ 更換任何部件、刀片或配件引起的傷害。
- ◆ 長時間使用工具引起的傷害。長時間使用任何工具時，請確保定期休息。
- ◆ 聽力受損。
- ◆ 吸入使用工具時產生的塵埃引起的健康危害（譬如：在木材上使用時，尤其是櫟木、山毛櫸和中密度纖維板(MDF)）。

工具上的標籤

工具上可能會附帶下列符號：



警告！ 為了降低受傷的風險，使用者必須仔細閱讀使用手冊。

日期代碼位置（圖 A）

日期代碼 (13) 亦包括製造年份，已印刷在工具外殼上。

例如： 2014 XX JN
製造年份

電氣安全



本電動工具採用雙重絕緣，因此無需接地線。請檢查電源電壓是否與銘牌上的電壓一致。

- ◆ 若電源線損毀，必須讓製造廠商或 STANLEY 授權維修中心進行更換以避免發生危險。

使用延長電纜

若需要使用延長電纜，請使用適合本工具電源輸入的認證延長電纜（參閱技術資料）。導體的最小尺寸為 1.5 mm²。

使用電纜捲筒時，每次必須把電纜完全展開。

同時請參考下表。

導體斷面面積 (mm ²)		纜線額定電流 (安培)					
0.75		6					
1.00		10					
1.50		15					
2.50		20					
4.00		25					
		纜線長度 (m)					
		7.5	15	25	30	45	60
電壓	安培	纜線額定電流 (安培)					
115	0-2.0	6	6	6	6	6	10
	2.1-3.4	6	6	6	6	15	15
	3.5-5.0	6	6	10	15	20	20
	5.1-7.0	10	10	15	20	20	25
	7.1-12.0	15	15	20	25	25	-
230	0-2.0	20	20	25	-	-	-
	2.1-3.4	6	6	6	6	6	6
	3.5-5.0	6	6	6	6	10	15
	5.1-7.0	10	10	10	10	15	15
	7.1-12.0	15	15	15	15	20	20
	12.1-20.0	20	20	20	20	25	-

套裝內容

本套裝包括：

- 1 個震動電鑽
- 1 個側手柄
- 1 個深度計
- 1 個夾頭扳手
- 1 本使用手冊
- ◆ 檢查工具、部件或配件有否在運送途中損壞。
- ◆ 操作前，請抽空徹底地閱讀和掌握本手冊的內容。

說明（圖 A）

- 變速開關
- 鎖定按鈕
- 正/反轉開關
- 模式選擇器
- 通風孔
- 側手柄
- 深度調整桿
- 帶鑰匙夾頭
- 套管
- 夾頭扳手
- 轉速刻度盤

裝配

警告！組裝之前，請確保電動工具關閉，並且已從電源上拔除工具插頭。

選擇操作模式（圖 B）

本工具有兩種操作模式。

1 旋轉鑽孔：
適用於鋼材、木材和塑膠。

T 衝擊鑽孔：
適用於在混凝土和磚石上的同步旋轉和衝擊鑽孔操作

- ◆ 將模式選擇器 (4) 轉到所需的位置，可選擇所需的操作模式。

插入和拆卸鑽頭（圖 A）


帶鑰匙夾頭

- ◆ 逆時針轉動套管 (9) 打開夾頭，插入鑽頭軸。
- ◆ 將夾頭扳手 (10) 插入夾頭側邊的各孔中，然後順時針轉緊。
- ◆ 若要取下鑽頭，請按相反的順序操作。

安裝側手柄（圖 A）

側手柄 (6) 可根據

右手和左手操作使用者的需要安裝。

 請務必在已正確地安裝側手柄的情況下操作衝擊鑽。

- ◆ 鬆開側手柄
- ◆ 對於右手操作者，滑動側手柄越過工具夾持器後面的調整環上方，手柄在左側。
- ◆ 對於左手操作者，滑動側手柄越過工具夾持器後面的調整環上方，手柄在右側。
- ◆ 將側手柄旋轉至所需位置，擰緊手柄。

設定鑽孔深度（圖 C）

- ◆ 將所需的鑽頭插入夾頭中。
- ◆ 鬆開側手柄 (6)
- ◆ 使深度調節桿 (7) 穿過側手柄夾的孔。
- ◆ 如圖所示調整鑽孔深度。
- ◆ 擰緊側手柄。

正/反轉開關（圖 A）

- ◆ 若要選擇正向或反向旋轉，請使用正/反轉開關 (3)（參見工具上的箭頭）。



在更改旋轉方向之前，請務必等待直到電動機完全停止。

取下夾頭（圖 D）

- ◆ 儘可能用最快的速度打開夾頭鉗爪。
- ◆ 將螺絲起子插入夾頭中，順時針轉出夾頭固定螺釘 (12)。
- ◆ 將內六角起子轉緊到夾頭內，然後用榔頭輕敲，如圖所示。

使用說明

- ◆ 務必遵守安全指示和適用的規則。
- ◆ 小心管道和佈線的所在位置。
- ◆ 輕輕地對工具施加壓力。過大力度並不會加快鑽孔的速度，並會降低工具的效能和縮短工具的壽命。
- ◆ 請在使用衝擊鑽時佩戴聽力保護器。噪音會使聽力受損。
- ◆ 請使用工具隨附的輔助手柄。工具失控會導致人身傷害。
- ◆ 若在執行操作時切割配件可能會接觸隱藏的電線或它本身的電線，則只能從絕緣手柄表面握住電動工具。切割配件若接觸到「帶電」導線，電動工具金屬部件表面也會「帶電」，從而導致操作人員觸電。
- ◆ 若必須在潮濕場合使用電動工具，請使用漏電保護器 (RCD)。使用 RCD 可降低觸電危險。

使用前的準備工作

- ◆ 插入相應的鑽頭。
- ◆ 在要鑽孔的位置做標記。

正確的雙手放置位置（圖 A、E）



警告：為了減低造成嚴重人身傷害的風險，務必如圖示那樣正確放置雙手。



警告：為了減低造成嚴重人身傷害的風險，預期有突然反應時務必握緊。

正確的雙手放置位置是一隻手放在側手柄 (6) 上，另一隻手握住主手柄。

開啟與關閉

- ◆ 若要打開工具電源，請按下變速開關 (1)。工具轉速取決於您按下開關的程度。
- ◆ 若要執行持續操作，請按下鎖定按鈕 (2) 並釋放變速開關。此選項只有在以全速運行時才有效。
- ◆ 若要關閉工具電源，請放開變速開關。若要在持續操作時關閉工具電源，請再次按下並釋放變速開關即可。
- ◆ 根據不同應用的需要，轉動轉速刻度盤 (11) 以控制工具的最大轉速。

在金屬上鑽孔

開始鑽孔時，採用較低速度，並在對工具施加固壓力的同時逐漸增加至全功率。

如果金屬屑平滑、均勻地流出，則表明鑽孔速度適當。在金屬上鑽孔時使用切割潤滑劑。鑄鐵和黃銅是例外，它們應保持乾燥而直接鑽孔。

註：如果先鑽一個導向孔 [5/32" (4 mm) 至 3/16" (5 mm)] 則在鋼材上鑽大孔時 [5/16" (8 mm) 至 1/2" (13 mm)] 會更容易。

在木材上鑽孔

開始鑽孔時，採用較低速度，並在對工具施加固壓力的同時逐漸增加至全功率。

木材鑽孔可以使用和鋼材鑽孔一樣的麻花鑽頭。如果不經常拔出鑽頭來清理鑽屑，這些鑽頭可能會過熱。易碎裂材料應墊上木塊。

在磚石上鑽孔

在磚石上鑽孔時，請使用適用於衝擊鑽孔操作的硬合金鑽頭，並確保鑽頭保持鋒利。對工具施加恆定穩固的力度有助於獲得最有效的鑽孔效果。如果鑽屑平滑、均勻地流出，則表明鑽孔速度適當。

螺旋操作

- ◆ 選擇正向或反向旋轉。

衝擊鑽孔 (圖 A)

- ◆ 選擇衝擊模式。
- ◆ 按下開關 (1)。

旋轉鑽孔 (圖 A)

- ◆ 選擇旋轉鑽孔模式。
- ◆ 按衝擊鑽孔部分所述進行操作。
如需進一步瞭解適用配件的相關資訊，請洽詢當地代理商。

配件

電動工具的效能取決於其配件。Stanley 配件依據高品質標準設計，可增強電動工具的效能。使用這些配件有助於更方便地操作工具。

維護

Stanley 插電式/充電式裝置/工具設計精良，能夠長時間使用，並且只需最少的維護。若要持續獲得滿意的使用效果，需要進行正確的工具維護和定期的清潔。

警告！在執行任何插電式/充電式電動工具的維護工作前，必須先執行以下幾項操作：

- ◆ 關閉設備電源/工具並拔下插頭；
- ◆ 若設備/工具配備獨立電池組，請關閉電源並從設備/工具中取出電池組。
- ◆ 若設備/工具配備內置電池，關閉電源前請先耗盡電池電力。
- ◆ 清潔前，請從電源上拔除充電器插頭。另外，除了定期清潔充電器之外，無需再進行其他維護。
- ◆ 定期使用軟刷或乾布清潔設備/工具/充電器的通風槽。
- ◆ 定期使用濕布清潔電動機外殼。請勿使用任何研磨性或基於溶劑的清潔劑。
- ◆ 定期打開夾頭並輕敲以去除內部的任何粉塵（安裝後）。



清潔



警告！一旦通風口和/或其周圍出現可見的粉塵，請立即使用乾燥的空氣吹掉主機內的粉塵和碎屑。執行此步驟時，請佩戴經認可的安全裝置和防塵面具。



警告！嚴禁使用溶劑或其他刺激性化學品來清潔工具的非金屬部件。這些化學品可能會削弱零件中使用的材料。請使用抹布蘸中性肥皂水進行清潔。不要讓任何物質進入工具，不要讓工具的任何部分浸入液體中。

保護環境



分類收集。本產品必須與一般家庭廢物分開處置。

若您發現您的 Stanley 產品需要更換，或您已經不再需要使用這些產品，請不要將它們與家庭廢物一起處置。請將它們分別進行回收。



分類收集用過的產品和包裝允許材料循環再生利用。重新使用回收的材料有助於防止環境污染，並降低對原材料的需求。當地法規可能要求由市政廢物回收點，或由向您出售新產品的經銷商來提供將電子產品與家庭廢物分類收集的服務。

當地法規可能要求由市政廢物回收點，或由向您出售新產品的經銷商來提供將電子產品與家庭廢物分類收集的服務。

維修資訊

Stanley 提供覆蓋整個亞洲的公司隸屬和授權檢修地點。所有的 Stanley 服務中心都具有訓練有素的人員，為客戶提供高效和可靠的電動工具服務。不論您是需要技術建議、維修或原廠替換部件，請聯絡離您最近的 Stanley 站點。

備註

- ◆ Stanley 的政策是持續改善我們的產品，因此，我們保留隨時變更產品規格的權利，恕不另行通知。
- ◆ 標準裝置和配件可能會根據不同的國家/地區而有所不同。
- ◆ 產品規格可能會根據不同的國家而有所不同。

- ◆ 並非所有的國家/地區都將提供完整的產品系列。如需瞭解產品系列的供應情況，請聯絡您當地的 Stanley 代理商。

進口商：永安實業股份有限公司

地址：新北市三重區新北大道二段137號

電話：02-29994633

STDH7213
13mm 진동 드릴

기술 데이터

진동 드릴		STDH7213			
		-B1	-XD	-TW	-KR
전압	V	220-240	220-240	110	220
주파수	Hz	50/60	50/60	60	60
소비 전력	W	720			
무부하 속도	/분	0-3000 (0-2900 TW)			
분당타격수	IPM	54000 (52200 TW)			
후진/전진 회전		예			
척 용량	mm	1.5-13			
최대 용량	mm				
- 콘크리트		16			
- 철재		13			
- 목재		32			
무게	kg	2.5			

용도

스탠리 진동 드릴은 나무, 금속 및 콘크리트 드릴용으로 설계되었습니다. **본 공구는 전문가 및 일반 소비자용입니다.**

전동 공구에 관한 일반 안전 경고



경고! 안전 경고와 지시사항을 모두 읽으십시오. 경고와 지시 사항을 준수하지 않으면 감전, 화재 및/또는 심각한 부상을 초래할 수 있습니다.

항후 참고할 수 있도록 모든 경고 및 지시 사항을 보관해두십시오. 아래의 모든 경고에서 사용된 "전동 공구"라는 말은 주 공급 전원에 의해 전기가 공급되는(유선) 전동 공구 또는 충전식(무선) 전동 공구를 의미합니다.

1. 작업장 안전

- a. **작업 영역을 청결하고 밝게 유지하십시오.**
혼잡하거나 어두운 작업장에서는 사고가 발생하기 쉽습니다.
- b. **가연성 액체, 가스 또는 먼지 등 폭발 가능성이 있는 환경에서 전동 공구를 사용하지 마십시오.**
전동 공구에서 먼지나 가스를 발화시킬 수 있는

불꽃이 될 수 있습니다

- c. **전동 공구로 작업할 동안에는 어린이와 주변 사람들이 작업 영역에 가까이 들어오지 못하도록 하십시오.** 주변이 산만해져 통제력을 잃을 수 있습니다.
- 2. 전기 안전**
- a. **전동 공구의 플러그는 콘센트와 형식이 일치해야 합니다.** 플러그를 어떤 방식으로든 절대 개조하지 마십시오. 접지된(지면 접지) 전동 공구에 어떤 어댑터 플러그도 사용하지 마십시오. 개조되지 않은 플러그 및 형식이 일치하는 콘센트를 사용하면 감전 위험이 줄어듭니다.
 - b. **파이프, 라디에이터, 렌즈 및 냉장고 등과 같이 접지된 표면에 몸이 닿지 않도록 하십시오.** 신체가 접지되어 있으면, 감전 위험이 높아집니다.
 - c. **전동 공구를 비 또는 습한 환경에 노출하지 않도록 주의하십시오.** 전동 공구에 물이 들어가면 감전 위험이 높아집니다.
 - d. **코드를 함부로 다루지 마십시오.** 코드를 사용하여 전동 공구를 운반하거나 잡아당기거나 플러그를 뽑지 마십시오. 열, 오일, 날카로운 모서리 또는 움직이는 부품에서 멀리 떨어진 장소에 코드를 보관하십시오. 코드가 손상되거나 얽혀 있으면 감전 위험이 높아집니다
 - e. **전동 공구를 실외에서 사용할 때는 실외 사용에 적합한 연장 코드를 사용하십시오.** 실외 사용에 적합한 코드를 사용하면 감전 위험이 줄어듭니다.
 - f. **어쩔 수 없이 습한 장소에서 전동 공구를 사용해야 하는 경우에는 누전 차단기(RCD)로 보호된 전원 공급 장치를 사용하십시오.** RCD를 사용하면 감전 위험이 줄어듭니다.
- 3. 신체 안전 사항**
- a. **전동 공구로 작업할 때는 방심하지 말고 작업에 주의하면서 상식에 따르십시오.** 피곤한 상태이거나 약물, 술, 치료제를 복용한 상태에서는 전동 공구를 사용하지 마십시오. 전동 공구를 사용하다 잠깐만 눈 눈을 팔아도 심각한 부상을 당할 수 있습니다.
 - b. **신체 보호 장비를 착용하십시오.** 항상 보안경을 착용하십시오. 적합한 상황에서 방진 마스크, 미끄럼 방지 안전화, 안전모 또는 청력 보호 기구 등의 보호 장비를 사용하면 신체 부상 위험이 줄어듭니다.
 - c. **갑작스러운 장비 가동을 방지하십시오.** 전원 및/또는 배터리 팩에 연결한 상태로 공구를 선택 또는 운반할 때는 사전에 스위치가 꺼짐 위치에

- 있는지 반드시 확인하십시오. 스위치가 켜짐 위치에 있는 상태에서 스위치에 손가락이 닿은 상태로 전동 공구를 운반하거나 전동 공구에 전원을 공급하면 사고가 발생합니다.
- d. 전동 공구를 켜기 전에 모든 조정 키 또는 렌치를 제거하십시오. 전동 공구의 회전 부품에 렌치나 키가 부착되어 있으면 부상을 당할 수 있습니다.
- e. 무리하게 팔을 뻗지 마십시오. 항상 올바른 자세로 서서 균형을 유지하십시오. 그러면 예기치 않은 상황에서의 전동 공구 제어 능력이 향상됩니다.
- f. 적절한 의복을 착용하십시오. 헐렁한 옷이나 장신구를 착용하지 마십시오. 머리카락, 옷 및 장갑이 움직이는 부품에 닿지 않도록 유의하십시오. 헐렁한 옷, 장신구 또는 긴 머리가 움직이는 부품에 걸 수 있습니다.
- g. 먼지 배출 및 집진 시설 연결을 위한 장치가 제공된 경우, 이를 장치가 연결되어 적절히 사용되고 있는지 반드시 확인하십시오. 집진 장치를 사용하면 먼지와 관련된 위험을 줄일 수 있습니다.
4. 전동 공구 사용 및 관리
- a. 전동 공구에 무리한 힘을 가하지 마십시오. 해당 용도에 맞는 올바른 전동 공구를 사용하십시오. 올바른 전동 공구를 사용해야 설계된 속도로 작업을 더욱 안전하고 정확하게 수행할 수 있습니다.
- b. 스위치 켜짐/꺼짐이 되지 않는 전동 공구는 사용하지 마십시오. 스위치로 제어되지 않는 전동 공구는 위험하며 수리해야 합니다.
- c. 전동 공구를 조정하거나 액세서리를 변경하거나 보관하기 전에 전원 및/또는 배터리 팩에서 플러그를 빼십시오. 이러한 예방적 안전 조치를 따라야 전동 공구가 갑자기 작동할 위험이 줄어듭니다.
- d. 사용하지 않는 전동 공구는 어린이의 손이 닿지 않는 곳에 보관하고, 전동 공구나 본 지시 사항에 익숙하지 않은 사람이 전동 공구를 절대 사용하지 못하게 하십시오. 전동 공구는 훈련을 받지 않은 사용자가 다루면 위험합니다.
- e. 전동 공구 유지 보수. 움직이는 부품의 잘못된 정렬이나 바인딩, 부품 파손 및 기타 전동 공구의 작동에 영향을 미칠 수 있는 상태가 있는지 확인하십시오. 손상된 부분이 있는 경우 사용하기 전에 전동 공구를 수리하십시오. 많은 사고는 전동 공구를 제대로 유지 보수하지 않아 발생합니다.
- f. 절삭 공구를 예리하고 깨끗한 상태로 유지하십시오. 절단식 가장자리를 예리하게 잘 유지하면 절단 작업시 바인딩이 적고 다루기가 용이합니다.

- g. 작업 환경과 수행할 작업을 고려하여, 본 지시 사항에 따라 전동 공구, 액세서리 및 톨 비트 등을 사용하십시오. 본 사용 설명서의 내용과 다른 용도로 전동 공구를 사용하면 위험한 상황이 발생할 수 있습니다.

5. 정비

- a. 자격을 갖춘 기술자가 동일 교체 부품을 사용하여 정비 작업을 수행해야 합니다. 그래야 전동 공구의 안전이 보장됩니다.

전동 공구에 관한 추가 안전 경고



경고! 드릴 및 임팩트 드릴에 대한 추가 안전 경고

드릴 안전 경고

- ◆ 임팩트 드릴 작업 시에는 귀 보호 장구를 착용하십시오. 소음에 노출되면 청력이 손상될 수 있습니다.
- ◆ 보조 핸들(공구와 함께 제공된 경우)을 사용하십시오. 제어력을 잃으면 신체 부상을 당할 수 있습니다.
- ◆ 절삭 액세서리가 숨겨진 배선 또는 자체 코드에 접촉할 수 있는 작업을 수행할 때는 절연된 손잡이 표면만 당도록 하여 전동 공구를 잡으십시오. "전류가 흐르는" 전선에 접촉된 절삭 액세서리는 전동 공구의 노출된 금속 부품을 "전류가 흐르는" 상태로 만들어 작업자를 감전시킬 수 있습니다.
- ◆ 클램프 또는 다른 적절한 것을 사용하여 작업물을 작업대에 고정 및 지지하십시오. 작업물을 손으로 잡거나 몸으로 지탱하는 행동은 불안정하여 제어력을 잃을 수 있습니다.
- ◆ 벽, 바닥 또는 천장에 드릴 작업을 하기 전에 배선 및 파이프의 위치를 확인하십시오.
- ◆ 드릴 작업을 한 후에는 드릴 끝이 뜨거울 수 있으므로 만지지 마십시오.
- ◆ 이 공구는 신체, 지각 또는 정신 능력이 낮거나 경험 및 지식이 부족한 사람(어린이 포함)이 사용하도록 설계되지 않았습니다. 이러한 사람이 사용할 때는 안전 책임자의 감독 또는 제품 사용과 관련된 지시 사항이 필요합니다. 어린이가 본 제품을 가지고 놀지 못하도록 항상 주시해야 합니다.
- ◆ 본 사용 설명서에 제품의 용도가 설명되어 있습니다. 본 사용 설명서에서 권장하는 방식 이외의 다른 방식으로 본 공구를 조작하거나 액세서리 또는 부착물을 사용하는 경우 신체 부상의 위험이 있거나 재산상의 손해가 발생할 수 있습니다.

다른 사람들의 안전

- ◆ 이 제품은 신체, 지각 또는 정신 능력이 낮거나 경험 및 지식이 부족한 사람(어린이 포함)이 사용하도록 설계되지 않았습니다. 이러한 사람이 사용할 때는 안전 책임자의 감독 또는 제품 사용과 관련된 지시 사항이 필요합니다.
- ◆ 어린이가 본 제품을 가지고 놀지 못하도록 항상 주시해야 합니다.

기타 발생 가능한 위험

공구를 사용할 때 동봉된 안전 경고에 포함되어 있지 않은 잔류 위험이 발생할 수 있습니다. 이러한 위험은 오용, 장시간 사용 등으로 인해 발생할 수 있습니다. 관련된 안전 규정을 준수하고 안전 장치를 사용한다고 해도 어떤 잔류 위험은 피할 수 없습니다. 이러한 위험으로는 다음과 같은 것들이 있습니다.

- ◆ 회전 부품이나 작동 부품을 만져 발생하는 부상.
- ◆ 부품, 톱날 또는 액세서리 변경으로 인한 부상.
- ◆ 장시간에 걸친 공구 사용으로 인한 부상. 어떤 공구이든 장시간에 걸쳐 사용할 때는 반드시 정기적인 휴식을 취하십시오.
- ◆ 청력 손상.
- ◆ 공구 사용 중에 발생하는 먼지를 호흡하여 유발되는 건강 위해성(예: 목재, 특히 오크, 너도밤나무 및 MDF 가공 작업).

공구에 부착된 라벨

공구에는 다음과 같은 기호가 표시되어 있습니다.



경고! 부상 위험을 줄이려면 사용자는 사용 설명서를 주의 깊게 읽어야 합니다.

날짜 코드 위치(그림 A)

날짜 코드(13)는 공구 케이스에 인쇄되어 있고, 제조년도도 포함되어 있습니다.

예: 2014 XX JN
제조년도

전기 안전



이 전동 공구에는 이중 절연 조치가 되어 있으므로, 접지할 필요가 없습니다. 공급된 전원의 전압이 명판의 전압과 일치하는지 여부를 확인하십시오.

- ◆ 전선이 손상된 경우, 제조업체 또는 스탠리에서 승인한 서비스 센터에서 교체해 위험을 방지해야 합니다.

연장 케이블 이용

연장 케이블이 필요할 경우 이 공구의 전원 입력에 맞는 승인된 연장 케이블을 사용하십시오(기술 데이터 참조). 최소 도체 크기는 1.5 mm²입니다.

케이블 릴을 사용할 때는 항상 케이블을 완전히 푸십시오.

아래 표를 참조하십시오.

도체 크기(mm ²)		정격 케이블(암페어)					
0.75		6					
1.00		10					
1.50		15					
2.50		20					
4.00		25					
케이블 길이(m)							
		7.5	15	25	30	45	60
전압	암페어	정격 케이블(암페어)					
110	0 - 2.0	6	6	6	6	6	10
	2.1 - 3.4	6	6	6	6	15	15
	3.5 - 5.0	6	6	10	15	20	20
	5.1 - 7.0	10	10	15	20	20	25
	7.1 - 12.0	15	15	20	25	25	-
230	12.1 - 20.0	20	20	25	-	-	-
	0 - 2.0	6	6	6	6	6	6
	2.1 - 3.4	6	6	6	6	6	6
	3.5 - 5.0	6	6	6	6	10	15
	5.1 - 7.0	10	10	10	10	15	15
7.1 - 12.0	15	15	15	15	20	20	
12.1 - 20.0	20	20	20	20	25	-	

포장 내용물

포장에는 다음 내용물이 들어 있습니다.

- 진동 드릴 1개
- 사이드 핸들 1개
- 깊이 게이지 1개
- 척 키 1개
- 사용 설명서 1개

- ◆ 운반 중에 발생할 수 있는 공구, 부품 또는 액세서리의 손상 여부를 확인하십시오.
- ◆ 작동 전에 시간을 내어 본 사용 설명서를 읽고 숙지하십시오.

설명 (그림 A)

- 1 변속 스위치
- 2 락온 버튼
- 3 전진/후진 슬라이더
- 4 모드 선택기
- 5 환기 구멍
- 6 사이드 핸들
- 7 깊이 조절자
- 8 키 척
- 9 슬리브
- 10 척 키
- 11 속도 다이얼

조립

경고! 조립하기 전에 전동 공구의 전원이 꺼져 있고 공구의 전원 플러그가 전원에서 뽑혀 있는지 확인

하십시오.

작동 모드 선택(그림 B)

두 가지의 작동 모드에서 공구를 사용할 수 있습니다.

1 회전 드릴:

철, 목재 및 플라스틱용

T 진동 드릴:

콘크리트 및 석재 드릴 작업 시에는
동시 회전 및 충격.

- ◆ 모드 선택기(4)를 필요한 위치로 돌려서 필요한 작동 모드를 선택합니다.


비트 장착 및 분리(그림 A)

키가 있는 척

- ◆ 슬리브(9)를 시계 반대 방향으로 돌려 척을 열고 비트 상크를 끼우십시오.
- ◆ 척의 옆면에 있는 각 구멍마다 척 키(10)를 끼우고 팍 조여질 때까지 시계 방향으로 돌리십시오.
- ◆ 비트를 분리하려면 반대 순서로 진행합니다.

사이드 핸들 장착(그림 A)

사이드 핸들(6)은 오른손 사용자 및 왼손 사용자 모두에 맞게 장착할 수 있습니다.

 항상 사이드 핸들을 올바르게 조립된 상태에서 드릴을 사용하십시오.


- ◆ 사이드 핸들을 폼니다.
- ◆ 오른손 사용자의 경우, 사이드 핸들 클램프를 척 뒤의 카라 위로 밀고 왼쪽에서 조종합니다.
- ◆ 왼손 사용자의 경우, 사이드 핸들 클램프를 척 뒤의 카라 위로 밀고 오른쪽에서 조종합니다.
- ◆ 사이드 핸들을 원하는 위치로 돌리고 핸들을 조입니다.

드릴 깊이 설정(그림 C)

- ◆ 필요한 드릴 비트를 척에 삽입합니다.
- ◆ 사이드 핸들(6)을 폼니다.
- ◆ 깊이 조절자(7)를 사이드 핸들 클램프의 구멍을 통해 장착합니다.
- ◆ 그림과 같이 드릴 깊이를 조절합니다.
- ◆ 사이드 핸들을 조입니다.

전진/후진 슬라이더(그림 A)

- ◆ 전진/후진 회전을 선택하려면 전진/후진 슬라이더(3)를 사용합니다(공구의 화살표 참조).

 회전 방향을 바꾸기 전에 항상 모터가 완전히 멈출 때까지 기다리십시오.

척 제거(그림 D)

- ◆ 척 초(비트를 무는 3개의 짐 쇠)를 최대한 엽니다.
- ◆ 드라이버를 척에 끼우고 척 고정 나사(12)를 시계

방향으로 돌려서 분리합니다.

- ◆ 육각 렌치를 척에 조이고 그림과 같이 망치로 칩니다.


사용 지침


- ◆ 안전 지시 사항과 해당 규정을 항상 준수하십시오.
- ◆ 파이프 구조 및 배선 위치를 알아 두십시오.
- ◆ 공구에 적당한 압력만 가하십시오. 과도한 힘을 가하면 드릴 속도가 올라가지 않고 공구 성능이 감소하고 공구 수명이 단축될 수 있습니다.
- ◆ 임팩트 드릴 작업 시에는 귀 보호 장구를 착용하십시오. 소음에 노출되면 청력이 손상될 수 있습니다.
- ◆ 공구와 함께 제공되는 사이드 핸들을 사용하십시오. 제어력을 잃으면 신체 부상을 당할 수 있습니다.
- ◆ 절삭 액세서리가 숨겨진 배선 또는 자체 코드에 접촉할 수 있는 작업을 수행할 때는 절연된 손잡이 표면만 닿도록 하여 전동 공구를 잡으십시오. "전류가 흐르는" 전선에 접촉된 절삭 액세서리는 전동 공구의 노출된 금속 부품을 "전류가 흐르는" 상태로 만들어 작업자를 감전시킬 수 있습니다.
- ◆ 어쩔 수 없이 습한 장소에서 전동 공구를 사용해야 하는 경우에는 누전 차단기(RCD)로 보호된 전원 공급 장치를 사용하십시오. RCD를 사용하면 감전 위험이 줄어듭니다.

작동을 하기 전에

- ◆ 작업에 알맞은 적절한 비트를 삽입합니다.
- ◆ 드릴 작업을 할 구멍의 지점을 표시합니다.

올바른 손의 위치(그림 A, E)

 **경고:** 심각한 신체 부상의 위험을 줄이려면, **항상** 그림과 같이 올바르게 손을 위치하십시오.

 **경고:** 심각한 신체 부상의 위험을 줄이려면, **항상** 급작스러운 반동을 예상하고 확실하게 잡으십시오.

손 위치는 한 손을 기본 핸들 위에 놓고 다른 손을 사이드 핸들(6) 위에 놓는 것이 바람직합니다.

전원 켜기/끄기

- ◆ 공구 스위치를 켜려면 가변 속도 스위치(1)를 누릅니다. 공구 속도는 스위치를 누르는 속도에 따라 다릅니다.
- ◆ 연속 작동시키려면 락온 버튼(2)을 누른 상태에서 변속 스위치에서 손을 떼십시오. 이 옵션은 최대 속도에서만 사용할 수 있습니다.
- ◆ 공구 스위치를 끄려면 가변 속도 스위치를 놓습니다. 연속 작업 중에 공구를 끄려면 변속 스위치를 한 번 더 눌렀다 떼십시오.
- ◆ 다양한 용도에 맞게 속도 다이얼(11)을 돌려서 최

대 속도를 제어합니다.

금속 드릴 작업

낮은 속도로 드릴 작업을 시작하고 공구를 힘껏 잡은 상태에서 트리거를 끝까지 당깁니다.

금속 조각이 균일하고 부드럽게 빠져나오면 드릴 속도가 적당하다는 것을 나타냅니다. 금속 드릴 작업 시에는 절삭 윤활유를 사용하십시오. 건조 상태로 드릴 작업을 해야 하는 주철과 황동의 경우는 예외입니다.

참고: 먼저 예비 구멍 [5/32" (4 mm) to 3/16" (5 mm)]을 뚫어놓으면 큰 스틸 구멍 [5/16" (8 mm) ~ 1/2" (13 mm)]을 뚫기가 쉬워집니다.

나무 드릴 작업

낮은 속도로 드릴 작업을 시작하고 공구를 힘껏 잡은 상태에서 트리거를 끝까지 당깁니다.

금속용 트위스트 드릴로 나무도 뚫을 수 있습니다. 비트를 자주 빼내어 나선형 홈에서 칩을 비우지 않으면 비트가 과열될 수 있습니다. 쪼개지기 쉬운 작업물은 나무 블록으로 지지해야 합니다.

석재 드릴 작업

석재 드릴 작업 시에는, 진동 드릴용의 정격 카바이드 팁 비트를 사용하고 비트가 날카로운지 확인하십시오. 가장 효과적으로 드릴 작업을 하려면 공구에 균일하고 흔들리지 않는 힘을 가하십시오. 먼지가 균일하고 부드럽게 빠져나오면 드릴 속도가 적당한 것입니다.

나사 조이기

- ◆ 전진 또는 후진 회전을 선택합니다.

진동 드릴(그림 A)

- ◆ 진동 모드를 선택합니다.
- ◆ 스위치(1)를 누릅니다.

회전 드릴 작업(그림 A)

- ◆ 회전 드릴 모드를 선택합니다.
- ◆ 진동 드릴 작업의 경우 설명대로 진행합니다. 해당 액세서리에 대한 자세한 정보는 판매 대리점으로 문의하십시오.

액세서리

전동 공구의 성능은 액세서리에 따라 다릅니다. 알맞은 액세서리를 사용하면 공구를 편리하게 조작할 수 있도록 합니다.

유지 보수

스탠리 유선/무선 제품/공구는 정교하게 설계되었으므로, 장기간 사용할 수 있고 거의 유지 보수가 필요하지 않습니다. 항상 만족스러운 사용을 하려면, 공구를 적절하게 유지 보수하고 정기적으로 청소해야 합니다.

경고! 유선/무선 전동 공구에 유지 보수 작업을 하기 전에, 다음 사항을 이행해야 합니다.

- ◆ 장비/공구의 전원을 끄고 플러그를 빼고,
- ◆ 장비/공구에 별개의 배터리 팩이 장착되어 있는 경우, 전원을 끄고 장비/공구에서 배터리 팩을 분리하십시오.
- ◆ 장비/공구에 내장 배터리가 장착되어 있는 경우, 전원을 끄기 전에 배터리를 다 쓰십시오.
- ◆ 청소하기 전에 충전기의 플러그를 전원에 꽂아 뽑으십시오. 게다가, 충전기를 주기적으로 청소하는 것 외에 다른 유지 보수는 필요하지 않습니다.
- ◆ 부드러운 브러시 또는 마른 헝겊을 사용해 장비/공구/충전기의 환기구를 주기적으로 청소하십시오.
- ◆ 젖은 헝겊을 사용해 모터 하우징을 정기적으로 청소하십시오. 연마재 또는 유성 세제를 사용하지 마십시오.
- ◆ 침식으로 고정한 척을 주기적으로 열고 살짝 두드려서 안의 먼지를 제거하십시오.



청소



경고! 환기 포트 또는 주변에 눈에 보이는 먼지가 쌓여 있는 것이 보이면, 즉시 깨끗한 건조 공기로 호스트 쉘 내의 먼지와 가루를 씻어 내십시오. 이 절차를 수행하려면, 승인된 안전 장비 및 먼지 마스크를 착용하십시오.



경고! 용제 또는 자극성 화학제품을 사용해서 공구의 비금속 부품을 청소하는 것은 엄격하게 금지됩니다. 이러한 화학제품은 부품의 재질을 약화시킬 수 있습니다. 순한 비눗물을 묻힌 헝겊을 사용해 청소하십시오. 공구 속으로 어떠한 물질이 스며들지 않도록 하고 공구의 어떤 부품도 액체 속에 담그지 마십시오.

환경 보호



분리 수거. 이 제품은 일반 가정용 쓰레기로 처리할 수 없습니다.

스탠리 제품을 교체해야 하거나 더 이상 쓸모가 없다고 판단되는 경우, 가정용 쓰레기와 함께 처리하지 마십시오. 재활용할 수 있도록 별도로 두십시오.



사용하던 제품과 포장을 분리 수거하면 자원을 재활용 및 재사용할 수 있습니다. 재활용 자원을 재사용하면 환경 오염이 방지되고 원자재에 대한 수요를 줄일 수 있습니다. 지역에 따라 가정용 가전제품을 분리 수거하는 규정이 마련되어 있거나 새 제품을 구입할 때 판매점에서 폐기 방법을 알려줄 수 있습니다.

서비스 정보

스탠리는 대한민국 전역에 영업소를 자체 운영하거나 공인 서비스 센터를 두고 있습니다. 모든 스탠리 서비스 센터에는 교육을 이수한 전문 인원이 배치되어 있어 고객에게 효과적이고 믿을 수 있는 전동 공구 서비스를 제공하고 있습니다. 기술 지원, 수리 또는 순정 교체 부품이 필요한 모든 경우에 가까운 스탠리 서비스 센터로 연락하십시오.

참고

- ◆ 스탠리의 정책은 제품을 지속적으로 개선시키는 것이기 때문에 사전 통지 없이 제품 사양이 변경될 수 있습니다.
- ◆ 기본 장비 및 액세서리 구성은 각 국가에 따라 다를 수 있습니다.
- ◆ 제품 사양은 국가에 따라 다를 수 있습니다.
- ◆ 국가에 따라 판매하지 않는 제품도 있을 수 있습니다. 제품 판매 여부는 해당 지역에 있는 스탠리 판매점으로 문의하십시오.

STDH7213 Bor Perkusi 13 mm

Data teknis

Bor Perkusi		STDH7213			
		-B1	-XD	-TW	-KR
Voltase	V	220-240	220-240	110	220
Frekuensi	Hz	50/60	50/60	60	60
Input daya		W		720	
Kecepatan tanpa beban	/mnt	0-3000 (0-2900 TW)			
Taraf tumbukan	IPM	54000 (52200 TW)			
Rotasi Maju/Mundur		Ya			
Kapasitas gagang gerak	mm	1.5-13			
Kapasitas maksimal	mm				
- Beton				16	
- Logam				13	
-Kayu				32	
Berat	kg	2.5			

Tujuan penggunaan

Bor perkusi Stanley dirancang sebagai bor kayu, logam, dan beton. Alat ini hanya ditujukan untuk penggunaan non-profesional.

Peringatan Keselamatan Alat Listrik Umum



Peringatan! Baca seluruh peringatan keselamatan dan seluruh petunjuk. Kegagalan untuk mengikuti peringatan dan instruksi dapat mengakibatkan sengatan listrik, kebakaran, dan/atau cedera berat.

Simpan semua peringatan dan petunjuk untuk referensi di masa mendatang. Istilah "alat listrik" dalam semua peringatan yang tercantum di bawah mengacu pada alat listrik yang dioperasikan menggunakan listrik (berkabel) atau alat listrik yang dioperasikan menggunakan baterai (nirkabel).

1. Keselamatan area kerja

a. Jaga agar area kerja tetap bersih dan terang.

Area yang berantakan atau gelap berpotensi mengakibatkan

kecelakaan.

- b. **Jangan mengoperasikan alat listrik di lingkungan yang mudah menimbulkan bahaya ledakan, seperti di tempat yang terdapat cairan, gas, atau debu yang mudah terbakar.** Alat listrik menimbulkan percikan api yang dapat menyulut debu atau asap.
- c. **Jauhkan anak-anak dan orang yang berada di sekitar, sewaktu mengoperasikan alat listrik.** Gangguan dapat menyebabkan Anda kehilangan kendali.

2. Keselamatan kelistrikan

- a. **Steker alat listrik harus sesuai dengan soketnya. Jangan pernah memodifikasi steker dengan cara apa pun. Jangan gunakan steker adaptor apa pun dengan alat listrik yang dibumikan (grounded).** Steker yang tidak dimodifikasi dan stopkontak yang sesuai akan mengurangi risiko sengatan listrik.
- b. **Jagalah agar badan Anda tidak bersentuhan dengan permukaan yang dibumikan, seperti pipa, radiator, kompor, dan kulkas.** Risiko sengatan listrik dapat meningkat jika tubuh Anda bersentuhan dengan permukaan yang dibumikan.
- c. **Jangan sampai alat listrik ini terkena hujan atau terpapar pada kondisi yang basah.** Air yang masuk ke alat listrik akan meningkatkan risiko sengatan listrik.
- d. **Jangan menyalahgunakan kabel. Jangan sekali-kali menggunakan kabel untuk membawa, menarik, atau mencabut alat listrik. Jauhkan kabel dari panas, minyak, tepi tajam, atau komponen yang bergerak.** Kabel yang rusak atau terbelit meningkatkan risiko sengatan listrik.
- e. **Bila mengoperasikan alat listrik di luar ruangan, gunakan kabel ekstensi yang sesuai untuk penggunaan di luar ruangan.** Menggunakan kabel yang sesuai untuk penggunaan di luar ruangan akan mengurangi risiko sengatan listrik.
- f. **Jika penggunaan alat listrik di lokasi yang lembap tidak dapat dihindari, gunakan suplai yang terlindung oleh perangkat arus sisa (RCD).** Penggunaan RCD akan mengurangi risiko sengatan listrik.

3. Keselamatan diri

- a. **Tetap waspada, perhatikan apa yang Anda kerjakan dan gunakan akal sehat saat mengoperasikan alat listrik. Jangan mengoperasikan alat listrik bila Anda sedang lelah, atau berada di bawah pengaruh obat, alkohol, atau pengobatan.** Kelengahan sesaat saja ketika mengoperasikan alat listrik dapat menyebabkan cedera diri yang parah.

- b. **Gunakan peralatan pelindung diri. Selalu kenakan alat pelindung mata.** Peralatan pelindung, seperti masker debu, sepatu keselamatan antiselip, helm proyek, atau pelindung telinga yang digunakan untuk kondisi yang sesuai akan mengurangi risiko cedera diri.
 - c. **Hindari menyalakan alat tanpa disengaja. Pastikan bahwa sakelar sudah dalam posisi mati sebelum menghubungkannya ke sumber listrik dan/atau baterai, mengambil, atau membawa alat.** Membawa alat listrik dengan jari Anda yang masih menempel pada tombol atau menghidupkan alat listrik yang tombolnya masih menyala akan berpotensi mengakibatkan kecelakaan.
 - d. **Lepaskan semua kunci setelan atau kunci pas sebelum menghidupkan alat listrik.** Kunci pas atau kunci yang dibiarkan terpasang pada komponen alat listrik yang berputar dapat menyebabkan cedera diri.
 - e. **Jangan menjangkau melampaui batas. Selalu jaga pijakan dan keseimbangan yang baik.** Hal ini memungkinkan Anda untuk mengendalikan alat listrik dengan lebih baik dalam situasi yang tidak terduga.
 - f. **Kenakan pakaian yang sesuai. Jangan mengenakan pakaian longgar atau perhiasan. Jauhkan rambut, pakaian dan sarung tangan dari komponen yang bergerak.** Pakaian yang longgar, perhiasan atau rambut panjang dapat tersangkut pada komponen yang bergerak.
 - g. **Jika disediakan perangkat untuk sambungan fasilitas pengeluaran dan pengumpulan debu, pastikan alat ini dihubungkan dan digunakan dengan sesuai.** Penggunaan alat pengumpul debu dapat mengurangi bahaya yang ditimbulkan oleh debu.
4. **Penggunaan dan pemeliharaan alat listrik**
 - a. **Jangan menggunakan alat listrik dengan paksa. Gunakan alat listrik yang sesuai untuk aplikasi Anda.** Alat listrik yang tepat akan bekerja lebih baik dan aman pada tingkat kelajuan yang telah dirancang untuk alat itu.
 - b. **Jangan gunakan alat listrik ini jika tombol tidak dapat menghidupkan dan mematikan alat.** Alat listrik apa pun yang tidak dapat dikendalikan dengan tombol adalah berbahaya dan harus diperbaiki.
 - c. **Lepaskan stopkontak dari sumber listrik dan/ atau baterai dari alat listrik sebelum melakukan penyetulan apa pun, mengganti aksesori, atau menyimpan alat listrik.** Tindakan pencegahan demi keselamatan tersebut mengurangi risiko menjalankan alat listrik secara tak sengaja.
 - d. **Simpan alat listrik yang tidak digunakan jauh dari jangkauan anak-anak, dan jangan membolehkan orang yang tidak memahami alat**

listrik atau petunjuk ini untuk mengoperasikannya.

- Alat listrik bisa berbahaya bila digunakan oleh pengguna yang tidak terlatih.
- e. **Rawat alat listrik. Lakukan pemeriksaan untuk mengetahui apakah ada komponen bergerak yang tidak sejajar atau bengkok, komponen yang patah, dan kondisi lainnya yang dapat memengaruhi pengoperasian alat listrik. Jika rusak, perbaiki alat listrik sebelum digunakan.** Banyak terjadi kecelakaan akibat alat listrik yang tidak terawat baik.
 - f. **Jaga ketajaman dan kebersihan alat pemotong.** Alat pemotong yang terawat dengan baik dengan mata potong yang tajam akan kecil kemungkinannya untuk macet serta lebih mudah untuk dikendalikan.
 - g. **Gunakan alat listrik, aksesori, dan mata bor, dsb., sesuai instruksi-instruksi ini, dengan memperhitungkan persyaratan kerja dan jenis pekerjaan yang harus dilakukan.** Menggunakan alat listrik untuk pengoperasian yang berbeda dengan yang dimaksudkan akan mengakibatkan situasi yang membahayakan.
5. **Servis**
 - a. **Alat listrik sebaiknya diservis oleh teknisi yang berkualifikasi dan hanya menggunakan komponen pengganti yang persis sama.** Ini akan menjamin keselamatan alat terpelihara.

Peringatan Keselamatan Tambahan untuk Alat Listrik



Peringatan! Peringatan keselamatan tambahan untuk bor dan bor tumbuk

Peringatan Keselamatan Bor

- ◆ **Gunakan pelindung telinga saat melakukan pengeboran tumbuk.** Paparan terhadap kebisingan dapat menyebabkan kehilangan pendengaran.
- ◆ **Gunakan pegangan tambahan, bila disertakan dengan alat ini.** Hilangnya kendali dapat menimbulkan cedera diri.
- ◆ **Pegang alat listrik pada permukaan pegangan berpenyekat saat melakukan pengoperasian di mana aksesori pemotong dapat bersentuhan dengan kabel tersembunyi atau kabelnya sendiri.** Aksesori pemotong yang bersentuhan dengan kabel bertegangan listrik dapat mengalirkan arus listrik pada komponen logam dari alat listrik dan menyebabkan sengatan listrik pada pengguna.
- ◆ **Gunakan jepitan atau cara praktis lain untuk mengamankan dan menyangga benda kerja pada landasan yang stabil. Me-**

megang benda dengan tangan atau disandarkan pada tubuh Anda akan membuatnya tidak stabil dan dapat mengakibatkan hilangnya kendali.

- ◆ Sebelum mengebor tembok, lantai, atau langit-langit, periksa dulu penempatan kabel dan pipa.
- ◆ Hindari menyentuh ujung mata bor segera setelah mengebor, karena mungkin panas.
- ◆ Produk ini tidak ditujukan untuk penggunaan oleh orang (termasuk anak-anak) yang menderita kekurangan kemampuan fisik, sensorik, atau mental, atau kurang pengalaman dan pengetahuan, kecuali apabila mereka diawasi atau diarahkan dalam penggunaan peralatan ini oleh orang yang bertanggung jawab atas keselamatan mereka. Anak-anak harus diawasi agar mereka tidak bermain-main dengan peralatan ini.
- ◆ Tujuan penggunaan dijelaskan dalam buku petunjuk ini. Menggunakan aksesoris atau peralatan tambahan, maupun mengoperasikan alat ini dengan cara yang tidak sesuai dengan yang disarankan dalam panduan pengguna ini dapat menimbulkan risiko cedera tubuh dan/atau kerusakan benda-benda milik pribadi.

Keselamatan orang lain

- ◆ Alat ini tidak ditujukan untuk penggunaan oleh orang (termasuk anak-anak) yang menderita kekurangan kemampuan fisik, sensorik, atau mental, atau kurang pengalaman dan pengetahuan, kecuali apabila mereka diawasi atau diarahkan dalam penggunaan peralatan ini oleh orang yang bertanggung jawab atas keselamatan mereka.
- ◆ Anak-anak harus diawasi agar mereka tidak bermain-main dengan alat ini.

Risiko-risiko lain

Risiko-risiko lain dapat timbul saat menggunakan alat, yang mungkin tidak tercantum dalam peringatan keselamatan yang disertakan. Risiko ini dapat timbul karena penggunaan yang salah atau penggunaan yang dalam jangka waktu yang lama, dll. Sekalipun peraturan keselamatan terkait sudah diterapkan dan peralatan pengaman sudah digunakan, risiko-risiko residual tidak dapat dihindari. Ini meliputi:

- ◆ Cedera yang diakibatkan karena menyentuh komponen yang berputar/bergerak.
- ◆ Cedera yang terjadi saat mengganti komponen, pemotong, atau aksesoris.
- ◆ Cedera yang diakibatkan karena penggunaan alat untuk waktu lama. Jika menggunakan alat apa pun untuk waktu yang lama, pastikan Anda mengistirahatkannya secara berkala.
- ◆ Kerusakan indera pendengaran.

- ◆ Bahaya kesehatan yang disebabkan oleh menghirup debu yang ditimbulkan oleh penggunaan alat (contoh:- mengebor kayu, khususnya kayu oak, beech, dan MDF.)

Label pada alat

Simbol-simbol berikut ini tertulis pada alat:



Peringatan! Untuk mengurangi risiko cedera, pengguna harus membaca buku petunjuk.

Posisi kode tanggal (gbr. A)

Kode tanggal (13) dicetak pada kerangka alat, yang juga mencantumkan tahun pembuatan.

Contoh: 2014 XX JN

Tahun pembuatan

Keselamatan kelistrikan



Isolasi ganda dilakukan pada alat listrik ini, sehingga tidak perlu dibumikan. Harap periksa apakah voltase listrik yang mengalir sama dengan voltase di pelat nama atau tidak.

- ◆ Jika kabel rusak, maka harus diganti oleh pabrik atau pusat servis Stanley untuk menghindari bahaya.

Menggunakan kabel ekstensi

Jika kabel ekstensi diperlukan, gunakan selalu kabel ekstensi yang telah diakui dan sesuai dengan input daya alat ini (lihat data teknis). Ukuran konduktor minimum adalah 1,5 mm².

Bila menggunakan gulungan kabel, selalu ulur kabel sepenuhnya.

Juga lihat tabel di bawah ini.

Ukuran konduktor (mm ²)		Nilai kabel (Ampere)					
0.75		6					
1.00		10					
1.50		15					
2.50		20					
4.00		25					
		Panjang kabel (m)					
		7.5	15	25	30	45	60
Tegangan	Ampere	Nilai kabel (Ampere)					
115	0 - 2.0	6	6	6	6	6	10
	2.1 - 3.4	6	6	6	6	15	15
	3.5 - 5.0	6	6	10	15	20	20
	5.1 - 7.0	10	10	15	20	20	25
	7.1 - 12.0	15	15	20	25	25	-
	12.1 - 20.0	20	20	25	-	-	-
230	0 - 2.0	6	6	6	6	6	6
	2.1 - 3.4	6	6	6	6	6	6

3.5 - 5.0	6	6	6	6	10	15
5.1 - 7.0	10	10	10	10	15	15
7.1 - 12.0	15	15	15	15	20	20
12.1 - 20.0	20	20	20	20	25	-

Isi kemasan

Kemasan memuat:

- 1 Bor perkusi
- 1 Pegangan samping
- 1 Pengukur kedalaman
- 1 Kunci gagang gerak
- 1 Buku petunjuk

- ◆ Periksa kemungkinan adanya kerusakan pada alat, komponen, atau aksesoris yang bisa jadi terjadi selama transportasi.
- ◆ Ambil waktu untuk membaca seluruh isi buku petunjuk ini dan memahaminya sebelum pengoperasian.

Penjelasan (gbr. A)

- 1 Sakelar kecepatan variabel
- 2 Tombol pengunci
- 3 Penggeser maju/mundur
- 4 Pemilih mode
- 5 Celah-celah ventilasi
- 6 Pegangan samping
- 7 Batang pengaturan Kedalaman
- 8 Gagang gerak berkunci
- 9 Gir
- 10 Kunci gagang gerak
- 11. Pemilih kecepatan

Perakitan

Peringatan! Sebelum dirakit, harap pastikan bahwa alat listrik dalam keadaan mati dan stop kontak alat listrik dilepas dari sumber listrik.

Memilih mode operasi (gambar B)

Alat dapat digunakan dalam tiga mode operasi:

I Pengeboran putar:
untuk baja, kayu, dan plastik.

T Pengeboran perkusi:
pemutaran dan tumbukan simultan untuk pengeboran beton dan tembok.

- ◆ Pilih mode operasi yang diperlukan dengan memutar tombol pemilih mode (4) ke posisi yang diperlukan.

Memasang dan melepas mata bor (gbr. A)

Gagang gerak berkunci

- ◆ Buka gagang dengan cara memutar gir (9) berlawanan arah jarum jam dan masukkan batang mata bor/obeng.
- ◆ Masukkan kunci gagang gerak (10) ke dalam tiap lubang di sisi gagang gerak, lalu putar searah jarum jam hingga kencang.
- ◆ Untuk melepas mata bor/obeng, ikuti langkah-langkah di atas secara terbalik.

Memasang pegangan samping (gbr. A)

Pegangan samping (6) dapat dipasang agar sesuai dengan pengguna kidal dan normal.



Selalu operasikan bor dengan pegangan samping sudah terpasang betul.

- ◆ Kendurkan pegangan samping.
- ◆ Untuk pengguna normal, geser penjepit pegangan samping ke atas cincin di balik gagang gerak, pegang dengan tangan kiri.
- ◆ Untuk pengguna kidal, geser penjepit pegangan samping ke atas cincin di balik gagang gerak, pegang dengan tangan kanan.
- ◆ Putar pegangan samping ke posisi yang diinginkan, lalu kencangkan pegangan.

Menyetel kedalaman pengeboran (gambar C)

- ◆ Masukkan mata bor ke dalam gagang gerak.
- ◆ Kendurkan pegangan samping (6).
- ◆ Pasang batang penyesuaian kedalaman (7) melalui lubang dalam penjepit pegangan samping.
- ◆ Atur kedalaman pengeboran seperti yang ditunjukkan.
- ◆ Kencangkan pegangan samping.

Penggeser maju/mundur (gbr. A)

- ◆ Untuk memilih rotasi maju atau mundur, gunakan sakelar maju/mundur (3) (lihat tanda panah pada alat).



Selalu tunggu sampai motor berhenti sepenuhnya sebelum mengubah arah rotasi.

Pelepasan gagang gerak (gbr. D)

- ◆ Buka tang gagang gerak selebar mungkin.
- ◆ Masukkan obeng ke dalam gagang dan lepaskan sekrup penahan gagang (12) dengan memutarinya searah jarum jam.
- ◆ Kencangkan kunci Allen ke dalam gagang gerak, lalu pukul dengan palu seperti yang ditunjukkan.

Petunjuk penggunaan

- ◆ Selalu patuhi petunjuk keselamatan dan peraturan yang berlaku.

- ◆ Ketahui lokasi saluran pipa dan kabel.
- ◆ Hanya gunakan tekanan ringan pada alat. Daya berlebihan tidak akan mempercepat pengeboran, namun justru menurunkan kinerja alat dan dapat memperpendek usia pakai alat.
- ◆ Gunakan pelindung telinga saat melakukan pengeboran tumbuk. Paparan terhadap kebisingan dapat menyebabkan kehilangan pendengaran.
- ◆ Gunakan pegangan tambahan yang disertakan dengan alat ini. Lepasnya kendali dapat menimbulkan cedera diri.
- ◆ Pegang alat listrik pada permukaan pegangan berinsulasi saat melakukan operasi karena aksesoris pemotong dapat mengenai kabel yang tersembunyi atau kabelnya sendiri. Aksesoris pemotong yang bersentuhan dengan kabel bertegangan listrik dapat mengalirkan arus listrik pada komponen logam dari alat listrik dan menyebabkan sengatan listrik pada pengguna.
- ◆ Jika penggunaan alat listrik di lokasi yang lembap tidak dapat dihindari, gunakan suplai yang terlindung oleh perangkat arus sisa (RCD). Penggunaan RCD akan mengurangi risiko sengatan listrik.

Sebelum memulai operasi

- ◆ Masukkan mata bor yang sesuai.
- ◆ Tandai titik yang akan dilubangi dengan bor.

Posisi Tangan yang Benar (gbr. A, E)



PERINGATAN: Untuk mengurangi risiko cedera diri yang serius, **SELALU** gunakan posisi tangan yang tepat sesuai petunjuk gambar.



PERINGATAN: Untuk mengurangi risiko cedera diri yang serius, **SELALU** pegang dengan erat untuk mengantisipasi reaksi mendadak.

Posisi tangan yang benar berarti satu tangan pada pegangan samping (6) dan tangan lainnya pada pegangan utama.

Menyalakan dan mematikan

- ◆ Untuk menyalakan alat, tekan sakelar kecepatan variabel (1). Kecepatan alat tergantung pada seberapa jauh Anda menekan sakelar.
- ◆ Untuk operasi terus menerus, tekan tombol pengunci (2) dan lepaskan sakelar kecepatan variabel. Pilihan ini tersedia hanya bila digunakan pada kecepatan tinggi.
- ◆ Untuk mematikan alat, lepas sakelar kecepatan variabel. Untuk mematikan alat saat dalam pengoperasian yang terus menerus, tekan sakelar kecepatan variabel sekali lagi dan lepaskan.

- ◆ Berdasarkan aplikasi yang berbeda, putarlah tombol cepat (11) untuk mengendalikan kecepatan maksimum.

Mengebor logam

Mulailah mengebor dengan kecepatan rendah dan tingkatkan ke daya penuh sambil menekan erat-erat pada alat.

Aliran serpihan logam yang lancar menunjukkan laju pengeboran yang tepat. Gunakan pelumas pemotong saat mengebor logam. Kecuali untuk besi tuangan dan kuningan yang harus dibor kering.

CATATAN: Lubang besar [5/16" (8 mm) sampai 1/2" (13 mm)] lubang di baja dapat dibuat dengan lebih mudah jika lubang percontohan [5/32" (4 mm) sampai 3/16" (5 mm)] dibor terlebih dahulu.

Mengebor kayu

Mulailah mengebor dengan kecepatan rendah dan tingkatkan ke daya penuh sambil menekan erat-erat pada alat.

Lubang di kayu dapat dibuat dengan bor ulir yang sama yang digunakan untuk logam. Mata bor ini bisa menjadi terlalu panas kecuali sering ditarik keluar untuk membersihkan serpihan dari galur. Pekerjaan yang dapat menyerpih harus diberi alas dengan balok kayu.

Mengebor dinding bata

Gunakan mata bor berujung karbit yang dinilai untuk pengeboran perkusi saat mengebor dinding dan pastikan mata bornya tajam. Gunakan kekuatan konstan dan tetap pada alat untuk pengeboran yang paling efektif. Aliran debu yang lancar menunjukkan laju pengeboran yang tepat.

Mengobeng

- ◆ Pilih rotasi maju atau mundur.

Pengeboran perkusi (gbr. A)

- ◆ Pilih mode perkusi.
- ◆ Tekan sakelar (1).

Pengeboran putar (gbr. A)

- ◆ Pilih mode pengeboran putar.
- ◆ Lanjutkan sama seperti pada pengeboran perkusi. Tanyakan kepada dealer Anda untuk informasi selengkapnya seputar aksesoris yang sesuai.

Aksesoris

Kinerja alat listrik tergantung pada aksesorinya. Aksesoris Stanley dirancang sesuai standar mutu tinggi

untuk meningkatkan kinerja alat listrik. Dengan menggunakan aksesoris ini, Anda dapat mengoperasikan alat dengan mudah dan nyaman.

Pemeliharaan

Alat/peralatan nirkabel/berkabel Stanley memiliki desain yang canggih dan dapat digunakan untuk waktu yang lama, namun hanya memerlukan sedikit pemeliharaan. Untuk mencapai penggunaan yang selalu maksimal, Anda perlu melakukan pemeliharaan yang benar dan pembersihan peralatan secara berkala.

Peringatan! Sebelum melakukan pemeliharaan pada alat listrik berkabel/nirkabel, terapkan poin berikut:

- ◆ Matikan daya peralatan/alat dan lepaskan steker;
- ◆ Jika peralatan/alat dilengkapi dengan baterai terpisah, harap matikan listrik dan lepaskan baterai dari peralatan/alat.
- ◆ Jika peralatan/alat dilengkapi dengan baterai yang terintegrasi, harap kosongkan baterai, sebelum mematikan dayanya.
- ◆ Sebelum membersihkan, lepaskan pengisi daya dari sumber listrik. Selain itu, kecuali untuk pembersihan berkala pada pengisi daya Anda, pemeliharaan lainnya tidak diperlukan.
- ◆ Gunakan kuas yang lembut atau kain kering secara berkala untuk membersihkan celah ventilasi peralatan/alat/pengisi daya.
- ◆ Gunakan kain lembap secara berkala untuk membersihkan kerangka motor. Jangan gunakan bahan pembersih abrasif atau bahan pembersih berbahan dasar larutan.
- ◆ Buka gagang penjepit secara berkala dan ketuk-ketuk secara perlahan untuk mengeluarkan debu bagian dalam (setelah pemasangan).



Pembersihan



Peringatan! Setelah jelas-jelas ada penumpukan debu di dan/atau di sekitar lubang ventilasi, segera bilas debu dan serbuk dalam kerangka dengan udara yang kering dan bersih. Untuk melakukan prosedur ini, pakailah peralatan keselamatan dan masker debu yang disetujui.



Peringatan! Dilarang keras membersihkan komponen alat yang tidak terbuat dari logam dengan pelarut atau bahan kimia lainnya yang dapat merusak. Bahan kimia ini dapat

merapuhkan material pada komponen ini. Gunakan kain yang dibasahi dengan air sabun yang lembut untuk membersihkannya. Jangan sampai zat apa pun masuk ke dalam alat dan jangan rendam komponen alat dalam cairan.

Melindungi lingkungan



Pengumpulan terpisah. Produk ini tidak boleh dibuang bersama limbah rumah tangga biasa.

Jika Anda perlu mengganti produk Stanley atau tidak lagi menggunakan produk ini, jangan letakkan bersama dengan limbah rumah tangga. Letakkan produk tersebut secara terpisah untuk didaur ulang.



Mengumpulkan produk dan bahan kemasan yang sudah digunakan secara terpisah dapat membuat bahan tersebut didaur ulang dan digunakan kembali. Penggunaan kembali bahan yang didaur ulang membantu mencegah pencemaran lingkungan dan mengurangi kebutuhan bahan baku. Peraturan setempat mungkin memfasilitasi pengumpulan produk-produk listrik terpisah dari sampah rumah tangga, di tempat pembuangan sampah kota atau oleh pedagang ritel pada saat Anda membeli produk baru.

Informasi Servis

Stanley menawarkan jaringan lengkap milik perusahaan dan lokasi servis resmi di seluruh Asia. Semua Pusat Layanan Stanley memiliki personel terlatih untuk menyediakan layanan alat listrik yang efisien dan dapat diandalkan oleh pelanggan. Jika Anda membutuhkan nasihat teknis, perbaikan, atau penggantian komponen pabrik asli, hubungi kantor Stanley terdekat dengan Anda.

Catatan

- ◆ Kebijakan Stanley mencakup pengembangan produk-produk kami secara terus menerus, dan karena itu, kami memiliki hak untuk mengubah spesifikasi produk tanpa pemberitahuan sebelumnya.
- ◆ Perlengkapan dan aksesoris standar mungkin akan berbeda menurut negara.
- ◆ Spesifikasi produk mungkin akan berbeda menurut negara.
- ◆ Pilihan produk lengkap mungkin tidak tersedia di semua negara. Hubungi dealer Stanley setempat Anda untuk ketersediaan produk.

STDH7213

สว่านเจาะกระแทก 13 มม.

ข้อมูลด้านเทคนิค

สว่านเจาะกระแทก	STDH7213			
	- B1	-XD	-TW	-KR
แรงดันไฟฟ้า	V	220-240	220-240	110 220
ความถี่	Hz	50/60	50/60	60 60
กำลังไฟเข้า			วัตต์	720
ความเร็วขณะไม่มีโหลด / นาที			0-3000 (0-2900 TW)	
อัตราเจาะกระแทก	IPM		54000 (52200 TW)	
การหมุนย้อนกลับ/การหมุนไปด้านหลัง			มี	
ขนาดหัวจับดอกสว่าน	มม.		1.5-13	
ความสามารถในการเจาะสูงสุด	มม.			
- คอนกรีต				16
- โลหะ				13
- ไม้				32
น้ำหนัก	กก.			2.5

วัตถุประสงค์ในการใช้งาน

สว่านเจาะกระแทก Stanley ออกแบบมาเพื่อการเจาะไม้ โลหะ และคอนกรีต เครื่องมือนี้มีวัตถุประสงค์เพื่อการใช้งานภายในบ้านเท่านั้น

คำเตือนเพื่อความปลอดภัยทั่วไป
สำหรับการใช้เครื่องมือไฟฟ้า

คำเตือน! โปรดอ่านคำเตือนและข้อปฏิบัติเพื่อความปลอดภัยทั้งหมด การไม่ปฏิบัติตามคำเตือนและข้อปฏิบัติเหล่านี้ อาจทำให้ถูกไฟฟ้าช็อต เกิดเพลิงไหม้ และ/หรือได้รับบาดเจ็บสาหัสได้

โปรดเก็บรักษาคำเตือนและคำแนะนำไว้เพื่อการอ้างอิงในอนาคต คำว่า "เครื่องมือไฟฟ้า" ในคำเตือนทั้งหมดที่แสดงไว้ข้างล่าง หมายถึงเครื่องมือไฟฟ้า (แบบมีสาย) ที่ทำงานด้วยแหล่งจ่ายไฟหลัก หรือเครื่องมือไฟฟ้า

(แบบไร้สาย) ที่ทำงานด้วยแบตเตอรี่

1. ความปลอดภัยในบริเวณที่ทำงาน

- ก) พื้นที่ทำงานจะต้องสะอาดและมีแสงสว่างเพียงพอ บริเวณที่มีดหรือมีคมของวงระเกะระกะอาจทำให้เกิดอุบัติเหตุได้
- ข) ห้ามใช้เครื่องมือไฟฟ้าในบริเวณที่อาจเกิดการระเบิด เช่น เมื่อมีของเหลว แก๊ส หรือ ผุ่นละอองที่ไวไฟ เครื่องมือไฟฟ้าจะทำให้เกิดประกายไฟที่อาจทำให้เกิดละอองไฟหรือเปลวไฟขึ้นได้
- ค) ระมัดระวังไม่ให้เด็กเล็กและคนเดินผ่านไปมาเข้าใกล้ ในขณะที่ใช้งานเครื่องมือไฟฟ้า สิ่งรอบนอกอาจทำให้คุณเสียสมาธิได้

2. ความปลอดภัยทางไฟฟ้า

- ก) ปลั๊กไฟของเครื่องต้องเป็นชนิดเดียวกับเต้ารับ ห้ามตัดแปลงปลั๊กไม่ว่าด้วยวิธีใด ห้ามใช้ปลั๊กอะแดปเตอร์ใด ๆ กับเครื่องมือไฟฟ้าที่ต่อสายดิน (ลงกราวด์) ปลั๊กที่ไม่มีการดัดแปลงและเต้ารับชนิดเดียวกันจะช่วยลดความเสี่ยงจากการถูกไฟฟ้าช็อต
- ข) หลีกเลี่ยงการสัมผัสพื้นผิวที่ต่อสายดินหรือลงกราวด์ เช่น ท่อ เครื่องทำความร้อน เตาหุงต้ม และตู้เย็น มีความเสี่ยงเพิ่มขึ้นที่จะถูกไฟฟ้าช็อตหากร่างกายของคุณเป็นสื่อเชื่อมต่อลงดินหรือลงกราวด์
- ค) อย่าให้เครื่องมือไฟฟ้าถูกฝนหรือเปียกน้ำ น้ำที่เข้าเครื่องมือไฟฟ้าจะทำให้มีความเสี่ยงในการถูกไฟฟ้าช็อตเพิ่มขึ้น
- ง) ห้ามใช้สายไฟผิดวัตถุประสงค์ ห้ามใช้สายไฟเพื่อการหิ้ว ดึง หรือถอดปลั๊กเครื่องมือไฟฟ้า เก็บสายไฟให้พ้นจากความร้อน น้ำมัน ของมีคม หรือ ชิ้นส่วนที่กำลังเคลื่อนที่ สายไฟที่ชำรุดหรือพันกันเป็นการเพิ่มความเสี่ยงจากการถูกไฟฟ้าช็อต
- จ) เมื่อใช้เครื่องมือไฟฟ้านอกอาคาร ให้ใช้สายต่อพ่วงที่เหมาะสมสำหรับการใช้งานนอกอาคาร การใช้สายไฟที่เหมาะสมสำหรับการใช้งานนอกอาคารจะช่วยลดความเสี่ยงต่อการเกิดไฟฟ้าช็อต
- ฉ) หากไม่สามารถหลีกเลี่ยงการใช้เครื่องมือไฟฟ้าในบริเวณที่ชื้นแฉะได้ ให้ใช้อุปกรณ์ป้องกันไฟฟ้าสะสม (RCD) ที่จัดให้ การใช้ RCD จะช่วยลดความ

เสี่ยงจากการถูกไฟฟ้าช็อต

3. ความปลอดภัยส่วนบุคคล

- ก) **ตื่นตัวและมีสมาธิกับสิ่งที่กำลังทำ รวมทั้งใช้สามัญสำนึก** ในขณะที่กำลังใช้งานเครื่องมือไฟฟ้า ห้ามใช้เครื่องมือไฟฟ้าในขณะที่คุณกำลังเหนื่อยหรือได้รับอิทธิพลจากยา แอลกอฮอล์ หรือการริบหรี่บางอย่าง การขาดความระมัดระวังในการใช้เครื่องมือไฟฟ้าแม้ชั่วขณะหนึ่งอาจทำให้บาดเจ็บสาหัสได้
- ข) **ใช้อุปกรณ์คุ้มครองความปลอดภัยส่วนบุคคลสวมอุปกรณ์ป้องกันดวงตาเสมอ** อุปกรณ์ป้องกัน เช่น หน้ากากกันฝุ่น รองเท้านิรภัยกันลื่น หมวกนิรภัย หรืออุปกรณ์ป้องกันเสียงดังสำหรับสภาพที่เหมาะสม จะช่วยลดอาการบาดเจ็บทางร่างกาย
- ค) **ป้องกันเครื่องเปิดทำงานโดยไม่ตั้งใจ** สวิตช์ต้องอยู่ในตำแหน่งปิดก่อนที่จะเสียบปลั๊กของเครื่องเข้ากับแหล่งจ่ายไฟ และ/หรือแบตเตอรี่ หรือก่อนยกหรือหิ้วเครื่องมือ การยกเครื่องมือไฟฟ้าในขณะที่นิ้วอยู่ที่สวิตช์ หรือใช้เครื่องมือไฟฟ้าที่สวิตช์เปิดอยู่ อาจทำให้เกิดอุบัติเหตุได้
- ง) **ถอดกุญแจปรับแต่งหรือประแจออกก่อนเปิดสวิตช์เครื่องมือไฟฟ้า** ประแจหรือกุญแจที่เสียบค้างอยู่ในชิ้นส่วนที่หมุนได้ของเครื่องมือไฟฟ้าอาจทำให้ได้รับบาดเจ็บได้
- จ) **ห้ามยืนเหยงเท้าขณะใช้เครื่อง** ควรยืนในท่าที่เหมาะสมและสมดุลตลอดเวลา เพื่อช่วยในการควบคุมเครื่องมือไฟฟ้าได้ดียิ่งขึ้นในสถานการณ์ที่ไม่คาดคิด
- ฉ) **แต่งกายให้เหมาะสม ห้ามสวมเสื้อผ้าหลวมหรือใส่เครื่องประดับ** รวบผม ชายเส้น และถุงมือให้ห่างจากชิ้นส่วนที่กำลังหมุน เสื้อผ้าที่หลวมเครื่องประดับ หรือผมที่ยาวอาจเข้าไปพันกับชิ้นส่วนที่กำลังหมุน
- ช) **หากมีอุปกรณ์สำหรับตูดและเก็บฝุ่น** ต้องตรวจสอบให้แน่ใจว่าได้เชื่อมต่อและใช้งานอุปกรณ์นั้นอย่างเหมาะสม การใช้อุปกรณ์เก็บฝุ่นจะช่วยลดอันตรายที่เกี่ยวข้องกับฝุ่นได้

4. การใช้และการดูแลรักษาเครื่องมือไฟฟ้า

- ก) **ห้ามฝืนใช้เครื่องมือไฟฟ้า** เลือกใช้เครื่องมือไฟฟ้าที่ถูกต้องตรงกับลักษณะการใช้งานของคุณ เครื่องมือไฟฟ้าที่ถูกต้องย่อมทำงานได้ดีกว่าและปลอดภัยกว่า เมื่อใช้งานตามพิกัดที่เครื่องมือได้รับการออกแบบมา
- ข) **ห้ามใช้เครื่องมือไฟฟ้าถ้าสวิตช์เปิดปิดเครื่องไม่ทำงาน** เครื่องมือไฟฟ้าที่ไม่สามารถควบคุมผ่านสวิตช์ได้ ถือว่ามีอันตรายและต้องส่งซ่อม
- ค) **ถอดปลั๊กของเครื่องมือไฟฟ้าออกจากแหล่งจ่ายไฟ และ/หรือชุดแบตเตอรี่ก่อนทำการปรับแต่ง เปลี่ยนอุปกรณ์เสริม หรือจัดเก็บเครื่องมือไฟฟ้า** มาตรการเพื่อความปลอดภัยเชิงการป้องกันนี้จะช่วยลดความเสี่ยงในการเผลอเปิดเครื่องให้ทำงานโดยไม่ตั้งใจ
- ง) **เก็บเครื่องมือไฟฟ้าที่ไม่ใช้งานไว้ให้พ้นมือเด็ก** และไม่อนุญาตให้บุคคลที่ไม่คุ้นเคยกับเครื่องมือไฟฟ้าหรือคำแนะนำเหล่านี้เป็นผู้ใช้เครื่องมือ เครื่องมือไฟฟ้าจะเป็นอันตรายหากอยู่ในมือผู้ใช้ที่ไม่มี ความชำนาญ
- จ) **บำรุงรักษาเครื่องมือไฟฟ้า** ตรวจสอบว่าชิ้นส่วนที่เคลื่อนที่ได้มีกราวงไม่ตรงแนวหรือติดขัดหรือไม่ มีชิ้นส่วนที่แตกหัก และสภาพอื่นใดที่อาจส่งผลกระทบต่อการทำงานของเครื่องมือไฟฟ้าหรือไม่ หากชำรุดเสียหาย ให้นำเครื่องมือไปส่งซ่อมก่อนนำมาใช้อุบัติเหตุจำนวนมากเกิดจากการดูแลรักษาเครื่องมือไฟฟ้าไม่ดีพอ
- ฉ) **เครื่องมือตัดต้องคมและสะอาดอยู่เสมอ** เครื่องมือตัดที่ได้รับการดูแลรักษาอย่างถูกต้อง และมีขอบตัดคม จะมีปัญหาติดขัดน้อย และควบคุมได้ง่ายกว่า
- ช) **ใช้เครื่องมือไฟฟ้า อุปกรณ์เสริมและชุดอุปกรณ์ต่าง ๆ ให้สอดคล้องกับคำแนะนำเหล่านี้และตรงตามวัตถุประสงค์การใช้งานของเครื่องมือไฟฟ้าแต่ละชนิด** โดยพิจารณาถึงสภาพการทำงานและงานที่ทำเป็นสำคัญ การใช้เครื่องมือไฟฟ้าทำงานอื่นนอกเหนือจากที่กำหนดไว้อาจทำให้เกิดอันตรายได้

5. การบริการ

- ก) ให้ช่างซ่อมที่มีความเชี่ยวชาญเป็นผู้ซ่อมเครื่องมือ และใช้อะไหล่แท้เท่านั้น ซึ่งจะช่วยให้มั่นใจได้ว่า เครื่องมือไฟฟ้ายังมีความปลอดภัยอยู่

คำเตือนเพื่อความปลอดภัยเพิ่มเติม สำหรับการใช้เครื่องมือไฟฟ้า



คำเตือน! คำเตือนด้านความปลอดภัย
เพิ่มเติมสำหรับสว่านและสว่านเจาะกระแทก

คำเตือนด้านความปลอดภัยในการเจาะกระแทก

- ♦ สวมใส่อุปกรณ์ป้องกันเสียงดังเมื่อทำงานเจาะกระแทก การเผชิญกับเสียงดังมาก ๆ อาจทำให้สูญเสียความสามารถในการได้ยิน
- ♦ ใช้มีดจับเสริม หากให้มาพร้อมกับเครื่อง การสูญเสียการควบคุมเครื่องอาจทำให้ได้รับบาดเจ็บได้
- ♦ จับเครื่องมือไฟฟ้าที่พื้นผิวส่วนที่ใช้จับซึ่งมีฉนวนป้องกัน เมื่อใช้งานเครื่องและอุปกรณ์เสริมที่ใช้กับงานตัดอาจสัมผัสกับสายไฟที่ซ่อนอยู่หรือสายไฟของตัวเครื่องเอง อุปกรณ์เสริมที่ใช้กับงานตัดที่สัมผัสกับสายไฟ "ที่มีไฟฟ้า" อาจทำให้ส่วนของโลหะที่ถูกสัมผัส "มีไฟฟ้า" และช็อตผู้ใช้เครื่องได้
- ♦ ใช้ตัวจับชิ้นงานหรือวิธีอื่น ๆ ที่ได้ผลเพื่อยึดและหนุนชิ้นงานบนแท่นที่มั่นคง การใช้มีดจับหรือให้ชิ้นงานพังกับลำตัวจะไม่มั่นคงและอาจทำให้สูญเสียการควบคุมได้
- ♦ ก่อนเจาะผนัง พื้น หรือเพดาน ให้ตรวจหาตำแหน่งสายไฟและท่อน้ำ
- ♦ หลีกเลี่ยงการสัมผัสปลายดอกสว่านหลังจากเพิ่งเจาะเสร็จ เนื่องจากดอกสว่านอาจร้อน
- ♦ เครื่องมือนี้ไม่ได้มีไว้เพื่อการใช้งานโดยบุคคล (ซึ่งรวมถึงผู้เยาว์) ที่มีความบกพร่องทางร่างกาย ทางกรับความรู้สึก หรือทางจิตประสาท หรือขาดประสบการณ์และความรู้ เว้นเสียแต่จะได้รับการควบคุมดูแลหรือคำแนะนำการใช้เครื่องมือโดยผู้ที่รับผิดชอบต่อความปลอดภัยของบุคคลเหล่านั้น เด็กควรได้รับการควบคุมดูแลเพื่อให้แน่ใจว่าเด็กจะไม่เล่นเครื่องมือ
- ♦ วัตถุประสงค์ในการใช้งานได้อธิบายไว้ในคู่มือแนะนำการใช้งานฉบับนี้ การใช้งานอุปกรณ์เสริมหรืออุปกรณ์

ต่อพ่วง หรือการใช้งานอื่นใดกับเครื่องมือนี้ นอกเหนือจากที่ได้แนะนำไว้ในคู่มือการใช้งานนี้ อาจทำให้เสี่ยงต่อการบาดเจ็บ และ/หรือความเสียหายต่อทรัพย์สินได้

ความปลอดภัยของบุคคลอื่น

- ♦ เครื่องมือนี้ไม่ได้มีไว้เพื่อการใช้งานโดยบุคคล (ซึ่งรวมถึงผู้เยาว์) ที่มีความสามารถทางกายภาพ ความสามารถทางการรับรู้ หรือความสามารถทางสมอง บกพร่อง หรือบุคคลซึ่งขาดประสบการณ์และความรู้ เว้นเสียแต่จะได้รับการควบคุมดูแลหรือคำแนะนำการใช้งานเครื่องมือจากผู้รับผิดชอบความปลอดภัยของบุคคลเหล่านั้น
- ♦ เด็กควรได้รับการควบคุมดูแลเพื่อให้แน่ใจว่าเด็กจะไม่เล่นเครื่องมือ

ความเสี่ยงอื่น ๆ ที่ยังมีอยู่

ความเสี่ยงอื่น ๆ ที่ไม่ได้ระบุในคำเตือนเพื่อความปลอดภัยนี้ อาจเกิดขึ้นได้เมื่อใช้เครื่องมือ ความเสี่ยงเหล่านี้อาจเกิดขึ้นจากการใช้อย่างไม่ถูกต้อง การใช้งานเป็นเวลานาน เป็นต้น แม้ว่าจะปฏิบัติตามข้อกำหนดด้านความปลอดภัยที่เกี่ยวข้อง และใช้อุปกรณ์นิรภัย แต่ความเสี่ยงอื่น ๆ ที่ยังมีอยู่บางอย่างก็ไม่สามารถหลีกเลี่ยงได้ ความเสี่ยงเหล่านั้น ได้แก่:

- ♦ การบาดเจ็บที่เกิดจากการสัมผัสชิ้นส่วนที่หมุน/เคลื่อนที่
- ♦ การบาดเจ็บที่เกิดขึ้นขณะเปลี่ยนชิ้นส่วน ใบมีด หรืออุปกรณ์เสริม
- ♦ การบาดเจ็บที่เกิดจากการใช้เครื่องมือเป็นเวลานาน เมื่อใช้เครื่องมือเป็นระยะเวลาสั้น ต้องแน่ใจว่าคุณได้หยุดพักเป็นระยะ
- ♦ ความบกพร่องในการได้ยินเสียง
- ♦ อันตรายต่อสุขภาพที่เกิดจากการสูดดมฝุ่นจากการใช้เครื่องมือ (ตัวอย่างเช่น การทำงานกับไม้ โดยเฉพาะไม้ไผ่ ไม้บีช และไม้ MDF)

สัญลักษณ์บนเครื่องมือ

สัญลักษณ์ต่อไปนี้จะปรากฏบนเครื่องมือ:



คำเตือน! เพื่อลดความเสี่ยงต่อการบาดเจ็บ ผู้ใช้ต้องอ่านคู่มือการใช้งานเล่มนี้

ตำแหน่งของรหัสวันที่ (รูป A)

รหัสวันที่ (13) ซึ่งรวมถึงปีที่ผลิตจะถูกพิมพ์ไว้บนตัวเครื่อง ตัวอย่างเช่น: 2014 XX JN
ปีที่ผลิต

ความปลอดภัยทางไฟฟ้า



เนื่องจากเครื่องมือไฟฟ้านี้ฉนวนสองชั้น จึงไม่จำเป็นต้องต่อสายดิน โปรดตรวจสอบว่าแรงดันไฟฟ้าของแหล่งจ่ายไฟตรงกับแรงดันไฟฟ้าที่อยู่บนแผ่นป้ายหรือไม่

- ♦ ถ้าสายไฟชำรุดเสียหายต้องเปลี่ยนโดยผู้ผลิตหรือศูนย์บริการที่ได้รับอนุญาตโดย Stanley เพื่อหลีกเลี่ยงอันตราย

การใช้สายต่อพ่วง

ถ้าจำเป็นต้องใช้สายพ่วง ควรใช้สายพ่วงที่ผ่านการรับรองและเหมาะสมกับกำลังไฟเข้าของเครื่องมือนี้ (ดูข้อมูลทางเทคนิค) ขนาดของสื่อนำไฟฟ้าต่ำสุด คือ 1.5 ตร.มม. เมื่อมีการใช้อุปกรณ์ม้วนเก็บสายไฟ ให้คลายสายไฟออกจนหมดทุกครั้ง

นอกจากนี้ ให้อ้างถึงตารางด้านล่าง

ขนาดของสื่อนำไฟฟ้า (มม. ²)	พิทช์ของสายไฟ (แอมแปร์)						
0.75	6						
1.00	10						
1.50	15						
2.50	20						
4.00	25						
	ความยาวของสายไฟ (ม.)						
	7.5	15	25	30	45	60	
แรงดันไฟ	แอมแปร์	พิทช์ของสายไฟ (แอมแปร์)					
115	0 - 2.0	6	6	6	6	10	
	2.1 - 3.4	6	6	6	6	15 15	
	3.5 - 5.0	6	6	10	15	20 20	
	5.1 - 7.0	10	10	15	20	20 25	
	7.1 - 12.0	15	15	20	25	25 -	
	12.1 - 20.0	20	20	25	-	- -	
230	0 - 2.0	6	6	6	6	6 6	
	2.1 - 3.4	6	6	6	6	6 6	
	3.5 - 5.0	6	6	6	6	10 15	
	5.1 - 7.0	10	10	10	10	15 15	
	7.1 - 12.0	15	15	15	15	20 20	
	12.1 - 20.0	20	20	20	20	25 -	

รายการส่วนประกอบบรรจุภัณฑ์

ภายในบรรจุภัณฑ์ประกอบด้วย:

สว่านเจาะกระแทก 1 เครื่อง

มือจับเสริมด้านข้าง 1 ชิ้น

เกจวัดความลึก 1 อัน

จําป้ซ้นห้ว้จ้บดอกส่วน 1 ซ้่น

คู่มือการใช้งาน 1 เล่ม

- ♦ ตรวจสอบร่องรอยความเสียหายของเครื่องมือ ชิ้นส่วน หรืออุปกรณ์เสริม ที่อาจเกิดขึ้นในระหว่างการขนส่ง
- ♦ โปรดอ่านและทำความเข้าใจคู่มือเล่มนี้ก่อนการใช้งาน

คำอธิบาย (รูป A)

- สวิตช์ปรับระดับความเร็ว
- ปุ่มล็อค
- ปุ่มเลื่อนเดินหน้า/ถอยหลัง
- สวิตช์ปรับโหมด
- ช่องระบายความร้อน
- มือจับเสริมด้านข้าง
- ก้านปรับระยะการเจาะ
- หัวจับดอกสว่าน
- ปลอกล็อค
- จําป้ซ้นห้ว้จ้บดอกส่วน
- หน้าปิดความเร็ว

การประกอบ

คำเตือน! ก่อนการประกอบ ตรวจสอบให้แน่ใจว่าเครื่อง ปิดสวิตช์ขั้วและถอดปลั๊กไฟออกจากแหล่งจ่ายไฟแล้ว

การเลือกโหมดการทำงาน (รูป B)

เครื่องมือสามารถใช้ในโหมดการทำงานได้สองโหมด

1

การเจาะปั่น:

สำหรับเหล็ก ไม้ และพลาสติก

T

การเจาะกระแทก:

การเจาะแบบหมุนและกระแทกไปพร้อมกัน

สำหรับการเจาะคอนกรีตและปูน

- ♦ เลือกโหมดการทำงานที่ต้องการโดยการหมุนสวิตช์ปรับโหมด (4) ไปยังตำแหน่งที่ต้องการ

การใส่และการถอดดอกสว่าน (รูป A)

หัวจับดอกสว่าน

- ♦ เปิดหัวจับดอกสว่านโดยการหมุนปลอก (9) ทวนเข็มนาฬิกาแล้วสอดก้านดอกสว่านเข้าไป

- ♦ สอดจำปาขันหัวจับดอกสว่าน (10) เข้าไปในรูด้านข้างหัวจับดอกสว่านแล้วหมุนตามเข็มนาฬิกาจนแน่น
- ♦ หากต้องการถอดดอกสว่านออก ให้ทำตามขั้นตอนโดยย้อนลำดับการทำงาน

การติดตั้งมือจับเสริมด้านข้าง (รูป A)

มือจับด้านข้าง (6) สามารถติดตั้งเพื่อให้เหมาะสมสำหรับทั้งผู้ใช้ที่ถนัดมือซ้ายและมือขวา



ใช้งานส่วนไฟฟ้าดังกล่าวโดยมีมือจับเสริมด้านข้างติดตั้งอย่างถูกต้องเสมอ

- ♦ คลายมือจับเสริมด้านข้าง
- ♦ สำหรับผู้ใช้ที่ถนัดมือขวา ให้เลื่อนตัวยึดมือจับเสริมด้านข้างไปบนปลอกหมุนซึ่งอยู่ด้านหลังตัวจับอุปกรณ์ให้มือจับอยู่ด้านซ้าย
- ♦ สำหรับผู้ใช้ที่ถนัดมือซ้าย ให้เลื่อนตัวยึดมือจับเสริมด้านข้างไปบนปลอกหมุนซึ่งอยู่ด้านหลังตัวจับอุปกรณ์ให้มือจับอยู่ด้านขวา
- ♦ หมุนมือจับเสริมด้านข้างไปยังตำแหน่งที่ต้องการแล้วขันมือจับให้แน่น

การปรับตั้งความลึกของการเจาะ (รูป C)

- ♦ ใส่ดอกสว่านที่ต้องการตามวิธีที่อธิบายข้างต้น
- ♦ คลายมือจับเสริมด้านข้าง (6)
- ♦ สอดก้านปรับระยะการเจาะ (7) ผ่านช่องที่อยู่ในตัวยึดก้านปรับระยะการเจาะ
- ♦ ปรับตั้งความลึกของการเจาะตามที่แสดงในภาพ
- ♦ ขันมือจับเสริมด้านข้างให้แน่น

ปุ่มเลื่อนเดินหน้า/ถอยหลัง (ภาพ A)

- ♦ เลือกทิศทางการหมุนไปข้างหน้าหรือย้อนกลับโดยใช้ปุ่มเลื่อนเดินหน้า/ถอยหลัง (3) (ดูคู่มือบนเครื่องมือ) รอจนกระทั่งมอเตอร์หยุดนิ่งก่อนเปลี่ยนทิศทาง การหมุนทุกครั้ง



การถอดหัวจับดอกสว่าน (รูป D)

- ♦ เปิดหัวจับดอกสว่านให้กว้างที่สุดเท่าที่จะทำได้
- ♦ สอดไขควงเข้าไปในหัวจับดอกสว่าน แล้วถอดสลักยึดตัวจับดอกสว่าน (12) โดยขันไปตามเข็มนาฬิกา
- ♦ ใส่ประแจหกเหลี่ยมขนาดใหญ่ เข้าไปในหัวจับดอกสว่านให้แน่นแล้วตอกด้วยค้อนดังแสดงในรูป

วิธีการใช้เครื่อง

- ♦ ทำตามคำแนะนำด้านความปลอดภัยและข้อกำหนดที่บังคับใช้เสมอ
- ♦ ระมัดระวังตำแหน่งของระบบท่อน้ำและสายไฟ
- ♦ ออกแรงกดไปยังเครื่องมือเพียงเบา ๆ การออกแรงกดมากเกินไป ไม่ได้ช่วยให้สามารถเจาะได้เร็วขึ้น แต่ยังเป็นกรลดประสิทธิภาพของเครื่องมือ และทำให้เครื่องมืออายุการใช้งานสั้นลงอีกด้วย
- ♦ สวมใส่อุปกรณ์ป้องกันเสียงดังเมื่อทำงานเจาะกระแทก การเผชิญกับเสียงดังมาก ๆ อาจทำให้สูญเสียความสามารถในการได้ยิน
- ♦ ใช้มือจับเสริมที่นำมาพร้อมกับเครื่อง การสูญเสียการควบคุมเครื่องมืออาจทำให้ได้รับบาดเจ็บได้
- ♦ จับเครื่องมือไฟฟ้าที่พื้นผิวส่วนที่จับซึ่งมีฉนวนป้องกันเมื่อใช้งานเครื่องและอุปกรณ์เสริมที่ใช้กับงานตัดอาจสัมผัสกับสายไฟที่ซ่อนอยู่หรือสายไฟของตัวเครื่องเอง อุปกรณ์เสริมที่ใช้กับงานตัดที่สัมผัสกับสายไฟ "ที่มีไฟฟ้า" อาจทำให้ส่วนของโลหะที่ถูกสัมผัส "มีไฟฟ้า" และช็อคผู้ใช้เครื่องได้
- ♦ หากไม่สามารถหลีกเลี่ยงการใช้เครื่องมือไฟฟ้าในบริเวณที่ชื้นและได้ ให้ใช้อุปกรณ์ป้องกันไฟดูด (RCD) การใช้ RCD จะเป็นการลดความเสี่ยงจากการถูกไฟฟ้าช็อค

ก่อนการใช้งาน

- ♦ ใส่ดอกสว่านที่เหมาะสม
- ♦ ทำเครื่องหมายจุดที่ต้องการเจาะรู

ตำแหน่งการจับที่เหมาะสม (รูป A, E)



คำเตือน: เพื่อลดความเสี่ยงต่อการได้รับบาดเจ็บสาหัส ให้ใช้ตำแหน่งมือที่เหมาะสมตามที่แสดงเสมอ



คำเตือน: เพื่อลดความเสี่ยงจากการได้รับบาดเจ็บสาหัส จะต้องจับเครื่องมือให้แน่นทุกครั้ง เพื่อเตรียมพร้อมสำหรับแรงปฏิกิริยาที่เกิดขึ้นแบบทันทีทันใด

ตำแหน่งของการจับที่ถูกต้องคือ มือหนึ่งอยู่บนมือจับเสริมด้านข้าง (6) อีกมือหนึ่งอยู่บนมือจับหลัก

การเปิดและปิดสวิตช์

- ◆ เมื่อต้องการเปิดเครื่อง ให้กดสวิตช์ปรับระดับความเร็ว (1) ความเร็วของเครื่องมือจะขึ้นอยู่กับความลึกของสวิตช์ที่คุณกดลงไป
- ◆ หากต้องการใช้งานอย่างต่อเนื่อง ให้กดปุ่มล็อค (2) และปล่อยสวิตช์ปรับระดับความเร็ว ตัวเลือกนี้จะใช้งานได้ที่ความเร็วสูงสุดเท่านั้น
- ◆ เมื่อต้องการปิดเครื่อง ให้ปล่อยสวิตช์ปรับระดับความเร็ว เมื่อจะปิดเครื่องระหว่างการใช้งานต่อเนื่อง ให้กดสวิตช์ปรับระดับความเร็วอีกหนึ่งครั้งแล้วปล่อย
- ◆ ให้หมุนปรับหน้าปัดความเร็ว (11) เพื่อควบคุมความเร็วสูงสุดสำหรับการใช้งานที่แตกต่างกัน

การเจาะโลหะ

เริ่มเจาะโดยใช้ความเร็วต่ำก่อนและเพิ่มเป็นความเร็วสูงสุดขณะที่ออกแรงกดที่เครื่องมือ

เศษโลหะที่ร่วงออกมาอย่างต่อเนื่องแสดงว่าใช้อัตราการเจาะที่เหมาะสม ใช้สารหล่อลื่นสำหรับงานตัดขณะเจาะโลหะ ยกเว้นเหล็กหล่อและทองเหลืองที่ควรเจาะขณะแห้ง

หมายเหตุ: เจาะรูขนาดใหญ่ [5/16" (8 มม.) ถึง 1/2" (13 มม.)] ในแผ่นเหล็กได้ง่ายขึ้นถ้าเจาะรูนำร่อง [5/32" (4 มม.) ถึง 3/16" (5 มม.)] ก่อน

การเจาะไม้

เริ่มเจาะโดยใช้ความเร็วต่ำก่อนและเพิ่มเป็นความเร็วสูงสุดขณะที่ออกแรงกดที่เครื่องมือ

เจาะรูในงานไม้ได้ด้วยการใช้ดอกสว่านแบบเกลียวเช่นเดียวกับที่ใช้กับงานโลหะ ดอกสว่านเหล่านี้อาจร้อนเกินไป เว้นแต่จะดึงออกบ่อย ๆ เพื่อนำเศษไม้ออกจากร่อง ควรใช้ท่อนไม้รองงานไม้ที่จะเกิดเสียงไม้

การเจาะเข้าไปในปูน

เมื่อเจาะเข้าไปในปูน ให้ใช้ดอกสว่านหัวคาร์ไบด์ที่มีพิทักสำหรับการเจาะกระแทก และตรวจสอบให้แน่ใจว่าดอกสว่านมีความคม ใช้แรงกดที่สม่ำเสมอและมั่นคงไปยังเครื่องมือในขณะที่เจาะเพื่อให้เกิดประสิทธิภาพสูงสุด ฝุ่นที่ออกมาอย่างต่อเนื่อง บ่งบอกถึงอัตราการเจาะที่เหมาะสม

การขันสกรู

- ◆ เลือกการหมุนไปด้านหน้าหรือย้อนกลับ

การเจาะกระแทก (รูบ A)

- ◆ เลือกโหมดเจาะกระแทก
- ◆ กดสวิตช์ (1)

การเจาะปั่น (รูบ A)

- ◆ เลือกโหมดเจาะปั่น
 - ◆ ดำเนินการตามขั้นตอนที่อธิบายไว้สำหรับการเจาะกระแทก
- โปรดติดต่อด่วนเจ้าหน้าที่หากต้องการข้อมูลเพิ่มเติมเกี่ยวกับอุปกรณ์เสริมที่เหมาะสม

อุปกรณ์เสริม

สมรรถนะของเครื่องมือจะขึ้นกับอุปกรณ์เสริมที่ใช้ อุปกรณ์เสริมของ Stanley ได้รับการออกแบบทางวิศวกรรมให้มีมาตรฐานคุณภาพสูงเพื่อเพิ่มสมรรถนะของเครื่องมือไฟฟ้าของคุณ การใช้อุปกรณ์เสริมเหล่านี้สามารถช่วยให้คุณใช้เครื่องมือได้อย่างสะดวก

การบำรุงรักษา

เครื่องมือแบบมีสาย/ไร้สายของ Stanley ได้รับการออกแบบมาให้มีคุณสมบัติพิเศษเพื่อให้สามารถใช้งานได้อย่างยาวนานต่อเนื่องโดยมีการบำรุงรักษาน้อยที่สุด เพื่อให้เครื่องทำงานได้ดีอย่างต่อเนื่อง จำเป็นต้องมีการดูแลรักษาที่เหมาะสมและทำความสะอาดเครื่องมืออย่างสม่ำเสมอ

คำเตือน! ก่อนทำการบำรุงรักษาเครื่องมือไฟฟ้าที่มีสาย / ไร้สาย ต้องปฏิบัติตามข้อปฏิบัติต่อไปนี้

- ◆ ปิดสวิตช์อุปกรณ์ / เครื่องมือ แล้วถอดปลั๊ก
- ◆ ถ้ามีการติดตั้งแบตเตอรี่แยกต่างหากจากอุปกรณ์ / เครื่องมือ โปรดปิดเครื่องแล้วถอดแบตเตอรี่ออกมาจากอุปกรณ์ / เครื่องมือ
- ◆ ถ้ามีการติดตั้งแบตเตอรี่ในตัวอุปกรณ์ / เครื่องมือ โปรดใช้แบตเตอรี่ให้หมดก่อนก่อนเปิดสวิตช์เครื่องมือ
- ◆ ก่อนทำความสะอาด ต้องถอดปลั๊กเครื่องชาร์จออกจากแหล่งจ่ายไฟ นอกจากนี้ ยกเว้นการทำความสะอาดเครื่องชาร์จของคุณตามปกติ ไม่จำเป็นต้องทำการบำรุงรักษาอื่น ๆ
- ◆ ใช้แปรงนุ่ม ๆ หรือผ้าแห้งทำความสะอาดช่องระบาย

- อากาศของอุปกรณ์ / เครื่องมือ / เครื่องจักรเป็นประจำ
- ทำความสะอาดตัวมอเตอร์เป็นประจำโดยใช้ผ้าชุบน้ำหมาดๆ ปรอดอย่าใช้น้ำยาทำความสะอาดที่มีฤทธิ์กัดกร่อนหรือมีส่วนผสมของตัวทำละลาย
- ถอดหัวจับดอกสว่านออกมาเคาะเป็นประจำเพื่อกำจัดฝุ่นที่ติดอยู่ในหัวจับ (หลังจากติดตั้ง)



การทำความสะอาด



คำเตือน! เมื่อปรากฏว่ามีฝุ่นสะสมอยู่/หรือมีฝุ่นเกาะที่รอบช่องระบายอากาศ ให้ทำความสะอาด ฝุ่นละอองและผงภายในตัวครอบเครื่องด้วยลมแห้งที่สะอาด ในการดำเนินการขั้นตอนนี้ ให้สวมใส่อุปกรณ์นิรภัยที่ได้รับการรับรองและหน้ากากกันฝุ่น



คำเตือน! ห้ามทำความสะอาดชิ้นส่วนที่ไม่ใช่โลหะของเครื่องมือด้วยสารที่เป็นตัวทำละลายหรือสารเคมีที่มีฤทธิ์กัดกร่อนอย่างเด็ดขาด สารเคมีเหล่านี้อาจส่งผลกระทบต่อผู้ใช้ในชิ้นส่วนเหล่านี้ ใช้ผ้าชุบน้ำสะอาดๆ เพื่อความสะอาด อย่าปล่อยให้สารเคมีซึมเข้าไปในเครื่องมือ และอย่าจุ่มส่วนใดส่วนหนึ่งของเครื่องมือลงไปในของเหลว

การปกป้องสิ่งแวดล้อม



การเก็บรวบรวมแบบคัดแยก ผลิตภัณฑ์นี้ไม่สามารถทิ้งร่วมกับขยะในครัวเรือนทั่วไป

ถ้าคุณพบว่าผลิตภัณฑ์ของ Stanley จำเป็นต้องเปลี่ยนหรือเครื่องมือนี้ไม่เป็นประโยชน์สำหรับคุณอีกต่อไป โปรดอย่าทิ้งผลิตภัณฑ์นี้ร่วมกับขยะในครัวเรือน โปรดเก็บรวบรวมเพื่อนำไปรีไซเคิลแยกต่างหาก



การเก็บรวบรวมแบบคัดแยกสำหรับบรรจุภัณฑ์และผลิตภัณฑ์ที่ใช้แล้วทำให้สามารถรีไซเคิลวัสดุและนำมาใช้งานได้อีกครั้ง

การนำวัสดุรีไซเคิลมาใช้อีกครั้งจะช่วยป้องกันมลพิษต่อสิ่งแวดล้อมและลดความต้องการวัตถุดิบ ตามกฎระเบียบท้องถิ่นอาจมีการจัดเตรียมสถานที่สำหรับการเก็บรวบรวม

แบบคัดแยกอุปกรณ์ไฟฟ้าที่ใช้ภายในครัวเรือนไว้ ณ แหล่งรับขยะของเทศบาล หรืออาจมีการรับอุปกรณ์ใช้แล้วจากผู้ค้าปลีกในกรณีที่คุณซื้อผลิตภัณฑ์ชิ้นใหม่

ข้อมูลการบริการ

Stanley ให้บริการเครือข่ายศูนย์บริการของบริษัทเองและศูนย์ฯ ที่ได้รับการรับรองเต็มรูปแบบทั่วทั้งทวีปเอเชีย ศูนย์บริการ Stanley ทุกแห่งมีพนักงานที่ผ่านการฝึกอบรมเพื่อให้บริการเกี่ยวกับเครื่องมือไฟฟ้าได้อย่างมีประสิทธิภาพ และเชื่อถือได้ ไม่ว่าคุณจะต้องการคำแนะนำด้านเทคนิค การซ่อมแซม หรืออะไหล่จากโรงงาน โปรดติดต่อศูนย์ Stanley ใกล้บ้านคุณ

หมายเหตุ

- เนื่องจาก Stanley มีนโยบายพัฒนาปรับปรุงผลิตภัณฑ์อย่างต่อเนื่อง ดังนั้น เราจึงขอสงวนสิทธิ์ในการเปลี่ยนแปลงข้อมูลจำเพาะของผลิตภัณฑ์โดยไม่แจ้งให้ทราบล่วงหน้า
- อุปกรณ์มาตรฐานและอุปกรณ์เสริมอาจแตกต่างกันในแต่ละประเทศ
- ข้อมูลจำเพาะของผลิตภัณฑ์อาจแตกต่างกันในแต่ละประเทศ
- ตัวเลือกผลิตภัณฑ์อาจมีจำหน่ายไม่ครบทุกรายการในบางประเทศ โปรดสอบถามตัวเลือกผลิตภัณฑ์จากตัวแทนจำหน่ายของ Stanley ในประเทศของคุณ

STDH7213 Máy khoan động lực 13mm

Thông số kỹ thuật

Máy khoan động lực		STDH7213			
		-B1	-XD	-TW	-KR
Điện áp	V	220-240	220-240	110	220
Tần số	Hz	50/60	50/60	60	60
Công suất đầu vào	W	720			
Tốc độ không tải	/phút	0-3000 (0-2900 TW)			
Tốc độ va đập	Lần/phút	54000 (52200 TW)			
Đảo chiều thuận /nghịch		Có			
Kích thước đầu kẹp	mm	1,5-13			
Khả năng khoan tối đa	mm				
- Tường		16			
- Kim loại		13			
- Gỗ		32			
Trọng lượng	kg	2,5			

Mục đích sử dụng

Máy khoan động lực Stanley được thiết kế để khoan gỗ, kim loại, và tường. Dụng cụ này phù hợp với người tiêu dùng.

Cảnh báo chung về an toàn cho dụng cụ điện cầm tay



Cảnh báo! Hãy đọc tất cả các cảnh báo và hướng dẫn về an toàn. Việc không tuân theo các cảnh báo và hướng dẫn có thể gây giật điện, cháy nổ và/hoặc chấn thương nghiêm trọng.

Giữ lại tất cả các cảnh báo và hướng dẫn để tham khảo về sau. Thuật ngữ "dụng cụ điện cầm tay" trong phần cảnh báo chỉ thiết bị chạy bằng điện nguồn (có dây điện) hoặc thiết bị chạy bằng pin (không có dây điện).

1. An toàn tại nơi làm việc

- Đảm bảo nơi làm việc luôn sạch sẽ và đủ ánh sáng.** Những khu vực bừa bộn hoặc thiếu ánh sáng dễ gây tai nạn.

- Không vận hành dụng cụ điện cầm tay trong các môi trường dễ cháy nổ, như các môi trường có chất lỏng, khí ga hoặc bụi dễ cháy.** Dụng cụ điện cầm tay tạo ra các tia lửa điện có thể gây cháy bụi hoặc bốc khói.
- Không cho trẻ em và những người quan sát lại gần khi đang vận hành dụng cụ điện cầm tay.** Những lúc xao lãng có thể khiến bạn mất kiểm soát.

2. An toàn điện

- Phích cắm của dụng cụ điện cầm tay phải vừa với ổ cắm.** Không sửa đổi phích cắm bằng bất kỳ cách nào. Không sử dụng các phích cắm chuyên đổi với những dụng cụ điện cầm tay có nối đất. Phích cắm nguyên trạng và ổ cắm phù hợp sẽ giúp giảm nguy cơ bị điện giật.
- Tránh tiếp xúc với các bề mặt được nối đất như đường ống, lò sưởi, bếp nướng và tủ lạnh.** Nguy cơ bị điện giật sẽ cao hơn nếu cơ thể bạn tiếp xúc trực tiếp với đất.
- Không để các dụng cụ điện cầm tay ngoài trời mưa hoặc ở nơi ẩm ướt.** Nước vào trong dụng cụ điện cầm tay sẽ làm tăng nguy cơ bị điện giật.
- Không dùng dây điện cho các mục đích khác.** Tuyệt đối không sử dụng dây điện để mang, kéo hoặc rút phích cắm dụng cụ điện cầm tay. Giữ dây điện cách xa nguồn nhiệt, dầu mỡ, các cạnh sắc hoặc các bộ phận chuyển động. Dây điện bị hỏng hoặc bị vướng sẽ làm tăng nguy cơ bị điện giật.
- Không vận hành dụng cụ điện cầm tay ngoài trời, hãy sử dụng dây nối dài phù hợp để sử dụng ngoài trời.** Sử dụng dây điện phù hợp để sử dụng ngoài trời sẽ giúp giảm nguy cơ bị điện giật.
- Nếu bắt buộc phải vận hành dụng cụ điện cầm tay ở nơi ẩm ướt, hãy sử dụng nguồn được bảo vệ bởi thiết bị ngắt mạch tự động (RCD).** Sử dụng RCD giúp giảm nguy cơ bị điện giật.

3. An toàn cá nhân

- Hãy tập trung, chú ý vào những gì bạn đang làm và tinh táo khi vận hành dụng cụ điện cầm tay.** Không sử dụng dụng cụ điện cầm tay khi bạn đang mệt hoặc chịu ảnh hưởng của rượu bia, ma túy hoặc chất kích thích. Chỉ một khoảnh khắc mất tập trung trong khi vận hành dụng cụ điện cầm tay cũng có thể

dẫn đến chấn thương cá nhân nghiêm trọng.

- b. Sử dụng thiết bị bảo hộ cá nhân. Luôn đeo kính bảo hộ.** Thiết bị bảo hộ như mặt nạ chống bụi, giày chống trượt, mũ cứng hoặc thiết bị bảo vệ tai - nếu được sử dụng ở những điều kiện phù hợp - sẽ giúp giảm các chấn thương cá nhân.
- c. Tránh vô tình bật máy. Đảm bảo công tắc ở vị trí tắt trước khi nối với nguồn điện và/hoặc pin, khi cầm lên hoặc mang dụng cụ.** Việc cầm dụng cụ điện cầm tay khi ngón tay đặt vào công tắc hoặc sạc pin cho dụng cụ điện cầm tay khi công tắc đang bật có thể gây tai nạn.
- d. Hãy tháo hết khóa điều chỉnh hoặc cờ lê trước khi bật dụng cụ điện cầm tay.** Không tháo hết cờ lê hoặc khóa ra khỏi bộ phận quay của dụng cụ điện cầm tay có thể dẫn đến chấn thương cá nhân.
- e. Không được với tay. Hãy luôn đứng đúng tư thế và giữ thẳng bằng.** Điều đó giúp kiểm soát dụng cụ điện cầm tay tốt hơn trong các tình huống bất ngờ.
- f. Mặc quần áo phù hợp. Không mặc quần áo rộng hoặc đeo đồ trang sức. Giữ cho tóc, quần áo và găng tay tránh xa các bộ phận chuyển động.** Quần áo rộng, đồ trang sức hoặc tóc dài có thể bị vướng vào các bộ phận chuyển động.
- g. Nếu các thiết bị được cung cấp để nối các phương tiện hút và gom bụi, hãy đảm bảo những thiết bị này được nối và sử dụng đúng cách.** Sử dụng thiết bị gom bụi có thể giảm các nguy cơ liên quan đến bụi.

4. Sử dụng và bảo quản dụng cụ điện cầm tay

- a. Sử dụng dụng cụ điện cầm tay phù hợp. Sử dụng dụng cụ điện cầm tay phù hợp với mục đích của bạn.** Dụng cụ điện cầm tay phù hợp sẽ giúp bạn làm việc hiệu quả và an toàn hơn theo đúng tốc độ được thiết kế.
- b. Không sử dụng dụng cụ điện cầm tay nếu công tắc không bật và tắt được.** Mọi dụng cụ điện cầm tay không điều khiển được bằng công tắc đều rất nguy hiểm và cần phải được sửa chữa.
- c. Rút phích cắm dụng cụ điện cầm tay ra khỏi nguồn điện và/hoặc pin ra khỏi dụng cụ điện cầm tay trước khi thực hiện các điều chỉnh, thay phụ kiện hoặc bảo quản dụng cụ điện cầm tay.** Các biện pháp an toàn phòng ngừa đó giúp giảm nguy cơ vô tình khởi động dụng cụ điện cầm tay.
- d. Bảo quản các dụng cụ điện cầm tay không**

sử dụng tránh xa tầm tay trẻ em và không cho phép những người không quen với dụng cụ điện cầm tay hoặc những hướng dẫn này vận hành dụng cụ điện cầm tay.

Dụng cụ điện cầm tay sẽ rất nguy hiểm khi được sử dụng bởi những người chưa được huấn luyện.

- e. Bảo trì dụng cụ điện cầm tay. Kiểm tra các bộ phận di chuyển xem có bị lắp lệch hoặc kẹt không, các bộ phận có bị vỡ không và bất kỳ tình trạng nào khác có thể ảnh hưởng đến việc vận hành dụng cụ. Nếu dụng cụ điện cầm tay bị hỏng, hãy sửa chữa trước khi sử dụng.** Rất nhiều tai nạn xảy ra do công tác bảo trì các dụng cụ điện cầm tay kém.
- f. Giữ cho các dụng cụ cắt luôn sắc và sạch sẽ.** Các dụng cụ cắt được bảo trì đúng cách với các cạnh cắt sắc sẽ ít bị kẹt hơn và dễ điều khiển hơn.
- g. Sử dụng dụng cụ điện cầm tay, các phụ kiện và mũi khoan, v.v. theo các hướng dẫn này, chú ý đến các điều kiện làm việc và công việc cần thực hiện.** Sử dụng dụng cụ điện cầm tay sai mục đích có thể gây nguy hiểm.

5. Bảo dưỡng

- a. Hãy để nhân viên bảo dưỡng có chuyên môn tiến hành bảo dưỡng dụng cụ điện cầm tay cho bạn và chỉ sử dụng các bộ phận thay thế chính hãng.** Điều này giúp đảm bảo độ an toàn của dụng cụ điện cầm tay đó.

Cảnh báo bổ sung về an toàn dụng cụ điện cầm tay



Cảnh báo! Các cảnh báo bổ sung về an toàn cho các máy khoan và máy khoan búa

Cảnh báo an toàn với Máy khoan

- ◆ **Đeo thiết bị bảo vệ tai khi làm việc với máy khoan búa.** Việc tiếp xúc với tiếng ồn có thể gây giảm thính lực.
- ◆ **Sử dụng (các) tay cầm phụ, nếu được cung cấp kèm theo dụng cụ.** Việc mất kiểm soát có thể gây chấn thương cá nhân.
- ◆ **Cầm dụng cụ điện cầm tay ở phần bề mặt tay cầm cách điện khi thực hiện thao tác mà phụ kiện cắt có thể tiếp xúc với hệ thống dây điện chìm hoặc dây điện của chính dụng cụ.** Phụ kiện cắt tiếp xúc với dây điện "có điện" có thể truyền điện cho các bộ phận kim loại hở của dụng cụ điện cầm tay và có thể khiến nhân viên vận hành bị điện giật.
- ◆ **Dùng kẹp hay áp dụng một biện pháp thực tế**

khác nhằm bảo đảm và cố định phối gia công trên bàn máy. Giữ phối bằng tay hay dựa vào người bạn đều làm cho phối không vững và có thể dẫn tới mất kiểm soát.

- ◆ Trước khi khoan vào tường, sàn hay trần nhà, hãy kiểm tra vị trí lắp đặt đường dây điện và đường ống.
- ◆ Tránh chạm vào đầu mũi khoan ngay sau khi khoan vì lúc này mũi khoan có thể vẫn nóng.
- ◆ Không cho phép những người (bao gồm cả trẻ em) bị suy giảm năng lực thể chất, trí tuệ hoặc cảm giác, hay người thiếu kinh nghiệm và kiến thức sử dụng dụng cụ điện cầm tay này, trừ khi có sự giám sát hoặc hướng dẫn của người chịu trách nhiệm về vấn đề an toàn của họ. Phải giám sát để đảm bảo trẻ không nghịch thiết bị.
- ◆ Mục đích sử dụng được mô tả trong hướng dẫn sử dụng này. Việc sử dụng bất kỳ phụ kiện hay đồ gá hoặc thực hiện bất kỳ thao tác nào với dụng cụ này không theo các mục đích sử dụng khuyến nghị trong hướng dẫn sử dụng này có thể dẫn đến nguy cơ chấn thương cá nhân và/hoặc hư hỏng tài sản.

Vấn đề an toàn đối với người khác

- ◆ Không cho phép những người (bao gồm cả trẻ em) bị suy giảm năng lực thể chất, trí tuệ hoặc cảm giác, hay người thiếu kinh nghiệm và kiến thức sử dụng dụng cụ điện cầm tay này, trừ khi có sự giám sát hoặc hướng dẫn của người chịu trách nhiệm về vấn đề an toàn của họ.
- ◆ Phải giám sát để đảm bảo trẻ không nghịch thiết bị.

Các nguy cơ còn lại

Các nguy cơ khác có thể phát sinh khi sử dụng dụng cụ không nằm trong các cảnh báo an toàn đính kèm. Những nguy cơ này có thể phát sinh từ việc sử dụng sai mục đích, sử dụng trong thời gian dài, v.v. Kể cả việc áp dụng các quy tắc an toàn liên quan và dùng các thiết bị an toàn cũng không thể tránh được một số nguy cơ khác. Những nguy cơ này gồm:

- ◆ Chấn thương do chạm vào các bộ phận đang quay/chuyển động.
- ◆ Chấn thương khi thay các bộ phận, lưỡi dao hay phụ kiện.
- ◆ Chấn thương do sử dụng dụng cụ trong thời gian dài. Khi sử dụng bất kỳ một dụng cụ nào trong khoảng thời gian dài, bạn phải đảm bảo nghỉ giải lao thường xuyên.
- ◆ Suy giảm thính lực.

- ◆ Các mối nguy hại cho sức khỏe do hít phải nhiều bụi khi sử dụng dụng cụ (chẳng hạn:- làm việc với gỗ, đặc biệt là gỗ sồi, gỗ dẻ gai và gỗ ép).

Ký hiệu trên dụng cụ

Trên dụng cụ có những ký hiệu sau:



Cảnh báo! Để giảm nguy cơ chấn thương, người dùng phải đọc hướng dẫn sử dụng.

Vị trí mã ngày (Hình A)

Mã ngày (13) được in trên vỏ dụng cụ, bao gồm cả năm sản xuất.

Ví dụ: 2014 XX JN
Năm sản xuất

An toàn điện



Dụng cụ điện cầm tay này được cách điện kép, vì vậy không cần dây nối đất. Hãy kiểm tra xem điện áp nguồn có bằng với điện áp trên tấm kim loại ghi thông tin hay không.

- ◆ Nếu dây điện bị hỏng, hãy để nhà sản xuất hoặc trung tâm bảo hành được Stanley ủy quyền thay thế để tránh nguy hiểm.

Sử dụng dây nối dài

Nếu cần sử dụng dây điện, phải sử dụng loại dây đã được phê duyệt phù hợp với công suất đầu vào của dụng cụ này (xem phần thông số kỹ thuật). Kích thước dây dẫn tối thiểu phải là 1,5 mm².

Khi sử dụng tang dây, luôn trải hết dây ra.

Tham khảo cả bảng dưới đây.

Kích thước dây dẫn (mm ²)		Dòng điện định mức của dây (Ampe)					
0,75		6					
1,00		10					
1,50		15					
2,50		20					
4,00		25					
		Chiều dài dây (m)					
		7,5	15	25	30	45	60
Điện áp	Ampe	Dòng điện định mức của dây (Ampe)					
115	0 - 2,0	6	6	6	6	6	10
	2,1 - 3,4	6	6	6	6	15	15
	3,5 - 5,0	6	6	10	15	20	20
	5,1 - 7,0	10	10	15	20	20	25
	7,1 - 12,0	15	15	20	25	25	-
	12,1 - 20,0	20	20	25	-	-	-
230	0 - 2,0	6	6	6	6	6	6

2,1 - 3,4	6	6	6	6	6	6
3,5 - 5,0	6	6	6	6	10	15
5,1 - 7,0	10	10	10	10	15	15
7,1 - 12,0	15	15	15	15	20	20
12,1 - 20,0	20	20	20	20	25	-

Thiết bị trong hộp

Hộp sản phẩm bao gồm:

- 1 máy khoan động lực
- 1 tay cầm bên
- 1 thước đo độ sâu
- 1 khoá đầu kẹp mũi khoan
- 1 hướng dẫn sử dụng
- ◆ Kiểm tra dụng cụ, các bộ phận hoặc phụ kiện xem có bị hư hỏng do quá trình vận chuyển hay không.
- ◆ Dành thời gian đọc kỹ và hiểu rõ hướng dẫn sử dụng trước khi vận hành máy.

Mô tả (hình A)

- 1 Công tắc tốc độ biến thiên
- 2 Nút khóa công tắc
- 3 Nút đảo chiều thuận/ngịch
- 4 Nút chọn chế độ
- 5 Khe thoát khí
- 6 Tay cầm bên
- 7 Thước đo độ sâu
- 8 Đầu kẹp có khóa
- 9 Ống nối
- 10 Khoá đầu kẹp mũi khoan
- 11 Nút điều chỉnh tốc độ

Lắp ráp

Cảnh báo! Trước khi lắp ráp, hãy đảm bảo tất dụng cụ điện cầm tay và rút phích cắm dụng cụ ra khỏi nguồn điện.

Lựa chọn chế độ vận hành (hình B)

Có thể sử dụng dụng cụ ở hai chế độ vận hành:

1 Khoan xoay:
để khoan thép, gỗ và nhựa.

T Khoan đập:
xoay và đập đồng thời để khoan bê tông và tường.

- ◆ Chọn chế độ vận hành bằng cách xoay núm chọn chế độ (4) đến vị trí mong muốn.

Lắp và tháo mũi khoan (hình 5)

Đầu kẹp có khóa

- ◆ Mở đầu kẹp bằng cách xoay ống nối (9) ngược

chiều kim đồng hồ và lắp chuôi mũi khoan vào.

- ◆ Đặt khóa đầu kẹp (10) vào từng lỗ bên hông đầu kẹp và vặn chặt theo chiều kim đồng hồ.
- ◆ Thực hiện theo quy trình ngược lại để tháo mũi khoan.

Lắp tay cầm bên (hình A)

Tay cầm bên (6) có thể lắp để phù hợp với cả người thuận tay phải và người thuận tay trái.



Luôn sử dụng máy khoan với tay cầm bên được lắp đúng cách.

- ◆ Nói lỏng tay cầm bên.
- ◆ Đối với người thuận tay phải, trượt móc tay cầm bên qua vòng điều chỉnh đẳng sau đầu kẹp, cầm bên trái.
- ◆ Đối với người thuận tay trái, trượt móc tay cầm bên qua vòng điều chỉnh đẳng sau đầu kẹp, cầm bên phải.
- ◆ Xoay tay cầm bên đến vị trí mình muốn và vặn chặt lại.

Thiết lập độ sâu khoan (hình C)

- ◆ Lắp mũi khoan cần dùng vào đầu kẹp.
- ◆ Nói lỏng tay cầm bên (6).
- ◆ Lắp thước đo độ sâu (7) qua lỗ móc tay cầm bên.
- ◆ Điều chỉnh độ sâu mũi khoan như trong hình vẽ.
- ◆ Vặn chặt tay cầm bên.

Nút đảo chiều thuận/ngịch (hình A)

- ◆ Để lựa chọn chiều quay thuận hoặc nghịch, hãy sử dụng nút đảo chiều thuận/ngịch (3) (xem chiều mũi tên trên dụng cụ).



Luôn đợi cho động cơ dừng hẳn rồi mới thay đổi chiều quay.

Tháo đầu kẹp (hình D)

- ◆ Mở mô đầu kẹp hết cỡ
- ◆ Lắp tước nở vít vào đầu kẹp và tháo vít giữ (12) bằng cách xoay theo chiều kim đồng hồ.
- ◆ Vặn chặt chia vận vào đầu kẹp rồi dùng búa đập như hình vẽ.

Hướng dẫn sử dụng

- ◆ Luôn tuân theo các hướng dẫn và quy tắc hiện hành về an toàn.
- ◆ Nắm rõ vị trí đường ống và đường dây.
- ◆ Chỉ tác dụng lực nhẹ lên dụng cụ. Lực quá mạnh sẽ không làm tăng tốc độ khoan mà sẽ làm giảm hiệu suất và tuổi thọ của dụng cụ.
- ◆ Mang thiết bị bảo vệ tai khi dùng máy khoan

búa. Việc tiếp xúc với tiếng ồn có thể gây tổn hại đến thính lực.

- ◆ Sử dụng các tay cầm phụ kèm theo dụng cụ. Việc mất khả năng kiểm soát có thể gây chấn thương cá nhân.
- ◆ Chỉ cầm dụng cụ điện cầm tay ở phần bề mặt tay cầm cách điện khi thực hiện thao tác mà phụ kiện cắt có thể tiếp xúc với hệ thống dây điện chìm hoặc dây điện của chính dụng cụ. Phụ kiện cắt tiếp xúc với dây "có điện" có thể khiến các bộ phận kim loại hở của dụng cụ điện cầm tay bị nhiễm điện và khiến người vận hành bị giật.
- ◆ Nếu bắt buộc phải vận hành dụng cụ điện cầm tay ở nơi ẩm ướt, hãy sử dụng nguồn được bảo vệ bởi thiết bị ngắt mạch tự động (RCD). Sử dụng RCD giúp giảm nguy cơ bị điện giật.

Trước khi vận hành

- ◆ Lắp mũi khoan phù hợp.
- ◆ Vạch điểm cần khoan lỗ.

Vị trí tay phù hợp (hình A, E)



CẢNH BÁO: Để giảm nguy cơ chấn thương cá nhân nghiêm trọng, **LUÔN** để tay ở vị trí phù hợp như trong hình vẽ.



CẢNH BÁO: Để giảm nguy cơ chấn thương cá nhân nghiêm trọng, **LUÔN** giữ chặt tay để tránh trường hợp bị giật lại đột ngột.

Vị trí tay phù hợp yêu cầu một tay đặt lên tay cầm bên (6), còn tay kia đặt lên tay cầm chính.

Bật và tắt

- ◆ Để bật dụng cụ, ấn công tắc điều chỉnh tốc độ (1). Tốc độ của dụng cụ phụ thuộc vào lực ấn công tắc của bạn.
- ◆ Để khoan liên tục, nhấn nút khóa công tắc (2) và nhà công tắc điều tốc. Thao tác này chỉ thực hiện được khi chạy ở tốc độ tối đa.
- ◆ Để tắt dụng cụ, nhà công tắc điều tốc. Để tắt dụng cụ khi hoạt động liên tục, hãy ấn công tắc điều tốc thêm một lần nữa và nhà ra.
- ◆ Căn cứ vào các mục đích sử dụng khác nhau, xoay bánh quay tốc độ (11) để điều chỉnh tốc độ tối đa.

Khoan kim loại

Bắt đầu khoan với tốc độ chậm và tăng lên toàn bộ công suất khi sử dụng lực mạnh trên dụng cụ. Dòng phôi kim loại nhẵn đều cho thấy tốc độ

khoan phù hợp. Dùng dầu bôi trơn khi khoan kim loại. Ngoại trừ gang và đồng thau, những chất liệu này nên được khoan khô.

LƯU Ý: Bạn có thể khoan những lỗ khoan lớn [từ 5/16 inch (8 mm) đến 1/2 inch (13 mm)] vào thép dễ dàng hơn nếu bạn khoan lỗ khoan thử nghiệm [từ 5/32 inch (4 mm) đến 3/16 inch (5 mm)] trước.

Khoan gỗ

Bắt đầu khoan với tốc độ chậm và tăng lên toàn bộ công suất khi sử dụng lực mạnh trên dụng cụ.

Có thể tạo các lỗ khoan trên gỗ bằng khoan xoắn sử dụng cho kim loại. Mũi khoan có thể quá nóng nếu không được tháo ra thường xuyên để loại bỏ hết mạt nhòe khỏi rãnh. Phôi gia công có thể bị vỡ vụn nên được gia cố bằng một miếng gỗ.

Khoan tường

Khi khoan tường, sử dụng mũi khoan cacbua chuyên dùng cho khoan đập và phải đảm bảo rằng mũi khoan còn sắc. Ấn đều và mạnh lên dụng cụ để khoan được hiệu quả nhất. Dòng bụi nhả đều cho biết tốc độ khoan phù hợp.

Vặn vít

- ◆ Chọn chiều quay thuận hoặc nghịch.

Chế độ khoan đập (hình A)

- ◆ Chọn chế độ khoan đập.
- ◆ Ấn công tắc (1).

Chế độ khoan xoay (hình A)

- ◆ Chọn chế độ khoan xoay.
- ◆ Các bước tiếp theo giống với chế độ khoan đập.

Hỏi ý kiến đại lý để biết thêm thông tin về các phụ kiện phù hợp.

Phụ kiện

Hiệu suất làm việc của dụng cụ điện cầm tay tùy thuộc vào phụ kiện. Phụ kiện của Stanley được thiết kế theo tiêu chuẩn chất lượng cao nhằm tăng cường hiệu suất làm việc cho dụng cụ điện cầm tay. Sử dụng những phụ kiện này có thể giúp bạn vận hành dụng cụ một cách dễ dàng.

Bảo trì

Thiết bị/dụng cụ có dây/không dây của Stanley được thiết kế tinh vi, có thể sử dụng trong một thời gian dài và ít cần bảo trì. Để sử dụng ổn định theo ý muốn, cần bảo trì đúng cách và vệ sinh dụng cụ thường xuyên.

Cảnh báo! Trước khi thực hiện bất kỳ công việc bảo trì nào trên dụng cụ điện có dây/không dây, hãy thực hiện các công việc sau:

- ◆ Tắt thiết bị/dụng cụ rồi rút phích cắm ra;
- ◆ Nếu thiết bị/dụng cụ được trang bị pin độc lập, hãy tắt thiết bị/dụng cụ rồi tháo pin ra.
- ◆ Nếu thiết bị/dụng cụ được trang bị pin tích hợp, hãy dùng hết pin trước khi tắt thiết bị/dụng cụ.
- ◆ Trước khi vệ sinh, rút phích cắm bộ sạc ra khỏi nguồn điện. Ngoài việc vệ sinh thường xuyên, bạn không cần tiến hành bất kỳ công việc bảo trì nào khác đối với bộ sạc.
- ◆ Thường xuyên sử dụng bàn chải mềm hoặc khăn khô để vệ sinh khe thông gió của thiết bị/dụng cụ/bộ sạc.
- ◆ Thường xuyên sử dụng khăn ẩm để vệ sinh vỏ động cơ. Không sử dụng các chất tẩy rửa mài mòn hay có chứa dung môi.
- ◆ Thường xuyên mở đầu kẹp rồi vỗ nhẹ để trút hết bụi bên trong ra (sau khi lắp).



Vệ sinh



Cảnh báo! Khi thấy bụi nhiều bụi tích tụ ở và/hoặc xung quanh các khe thông gió, ngay lập tức thổi sạch bụi bên trong vỏ dụng cụ. Để thực hiện quy trình này, hãy đeo thiết bị bảo hộ và mặt nạ chống bụi đã được phê duyệt.



Cảnh báo! Nghiêm cấm sử dụng dung môi hay hóa chất kích thích để vệ sinh các bộ phận không làm bằng kim loại của dụng cụ. Những hóa chất này có thể làm tổn hại vật liệu của những bộ phận này. Sử dụng khăn thấm nước xà phòng nhẹ để vệ sinh những bộ phận không làm bằng kim loại. Không để bất kỳ chất nào lọt vào bên trong dụng cụ và không nhúng bất kỳ bộ phận nào của dụng cụ vào chất lỏng.

Bảo vệ môi trường



Thu gom riêng. Không vứt bỏ sản phẩm này chung với rác thải gia đình thông thường.

Nếu bạn nhận thấy cần phải thay thế sản phẩm Stanley hoặc bạn không cần sử dụng sản phẩm này nữa, vui lòng không để chúng chung với rác thải gia đình. Hãy để chúng riêng để tái chế.



Thu gom riêng sản phẩm và bao bì đóng gói đã qua sử dụng sẽ cho phép tái chế và tái sử dụng vật liệu. Tái sử dụng vật liệu tái chế giúp ngăn chặn ô nhiễm môi trường cũng như giảm nhu cầu vật liệu thô. Luật lệ địa phương có thể quy định việc thu gom riêng các sản phẩm điện gia dụng, tại các bãi rác thải đô thị hoặc bởi những người bán lẻ khi bạn mua sản phẩm mới.

Thông tin dịch vụ

Stanley có sẵn một mạng lưới các trung tâm trực thuộc và ủy quyền trên khắp Châu Á. Tất cả các trung tâm dịch vụ của Stanley đều có đội ngũ nhân viên lành nghề để cung cấp tới khách hàng dịch vụ hiệu quả và đáng tin cậy. Khi cần tư vấn kỹ thuật, sửa chữa hoặc cần phụ kiện thay thế chính hãng, hãy liên hệ với trụ sở Stanley nơi gần nhất.

Lưu ý

- ◆ Chính sách của Stanley là không ngừng cải thiện sản phẩm và do đó chúng tôi có toàn quyền thay đổi chi tiết kỹ thuật sản phẩm mà không cần báo trước.
- ◆ Các thiết bị và phụ kiện chuẩn có thể khác nhau tùy theo từng quốc gia.
- ◆ Thông số kỹ thuật của sản phẩm có thể khác nhau tùy theo từng quốc gia.
- ◆ Danh mục sản phẩm hoàn chỉnh có thể không có mặt tại tất cả các quốc gia. Liên hệ với các đại lý của Stanley tại quốc gia bạn để được cung cấp danh mục sản phẩm.