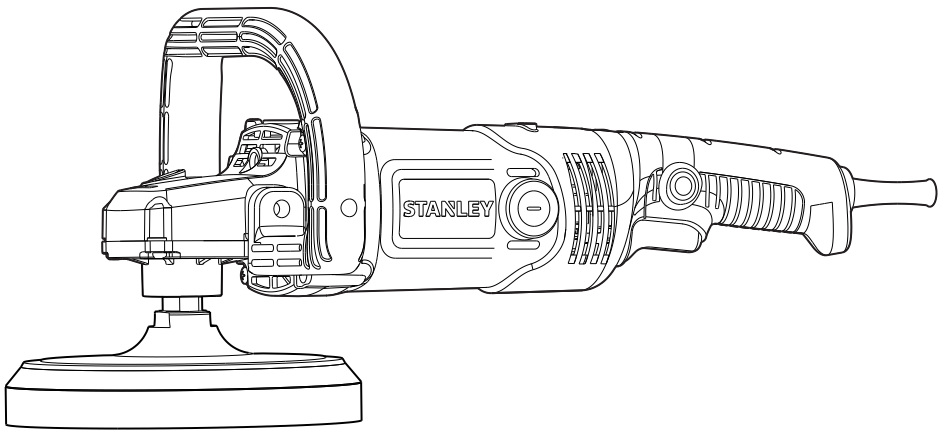


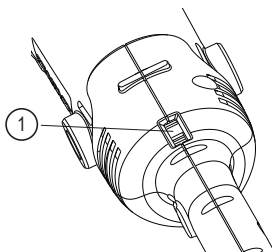
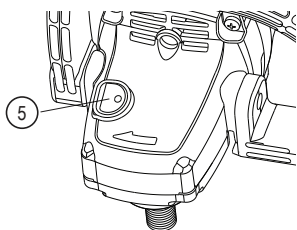
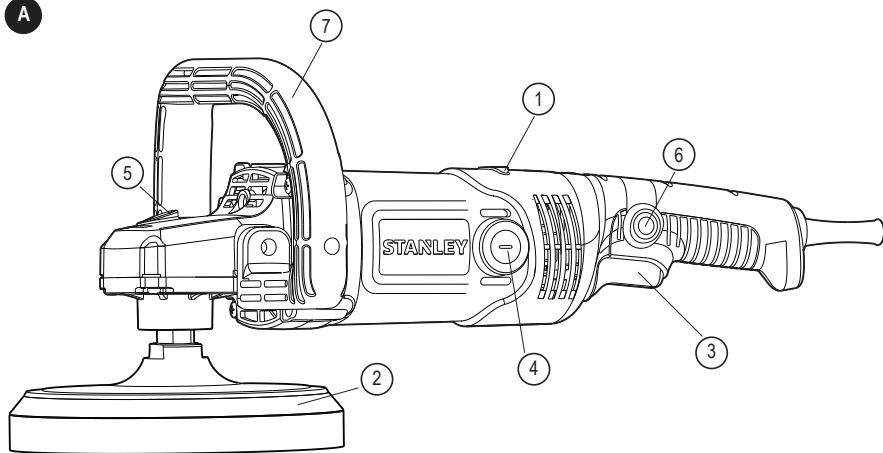
# STANLEY®



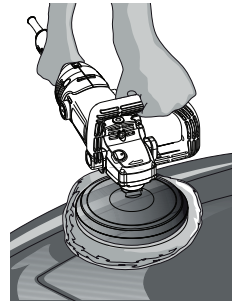
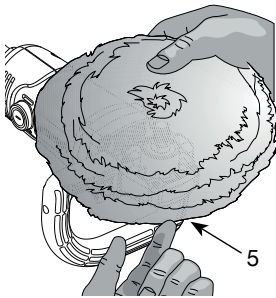
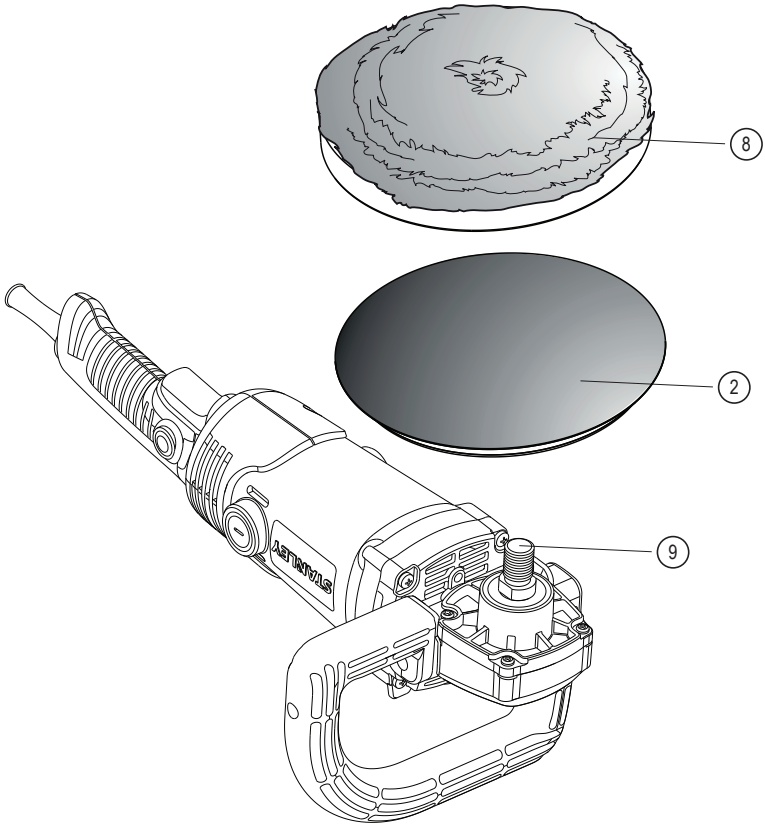
**SP137**

English	Page	04
French	Page	11
Russian	Page	19
Ukrainian	Page	29
Turkish	Page	38
العربية	Page	53

A



B



**INTENDED USE**

Your STANLEY Polisher SP137 has been designed for professional use at auto-detailing and various material surfaces polishing. Do not use under humid conditions or in presence of flammable liquids or gases. This tool is intended for professional use.

**SAFETY INSTRUCTIONS**

The definitions below describe the level of severity for each signal word. Please read the manual and pay attention to these symbols.



**DANGER:** Indicates an imminently hazardous situation which, if not avoided, **will result in death or serious injury.**



**WARNING:** Indicates a potentially hazardous situation which, if not avoided, **could result in death or serious injury.**



**CAUTION:** Indicates a potentially hazardous situation which, if not avoided, **may result in minor or moderate injury.**

**NOTICE:** Indicates a practice not related to personal injury which, if not avoided, **may result in property damage.**



Denotes risk of electric shock.



Denotes risk of fire.



**Warning:** To reduce the risk of injury, read the instruction manual.

**General power tool safety warnings**

**WARNING!** Read all safety warnings, instructions, illustrations and specifications provided with this power tool. Failure to follow all instructions listed below may result in electric shock, fire and/or serious injury.

**Save all warnings and instructions for future reference.**

The term "power tool" in the warnings refers to your mains-operated (corded) power tool or battery-operated (cordless) power tool.

**1. Work area safety**

- a. **Keep work area clean and well lit.** Cluttered or dark areas invite accidents.
- b. **Do not operate power tools in explosive atmospheres, such as in the presence of flammable liquids, gases or dust.** Power tools create sparks which may ignite the dust or fumes.
- c. **Keep children and bystanders away while operating a power tool.** Distractions can cause you to lose control.

**2. Electrical safety**

- a. **Power tool plugs must match the outlet. Never modify the plug in any way. Do not use any adapter plugs with earthed (grounded) power tools.** Unmodified plugs and matching outlets will reduce risk of electric shock.

- b. **Avoid body contact with earthed or grounded surfaces such as pipes, radiators, ranges and refrigerators.** There is an increased risk of electric shock if your body is earthed or grounded.
- c. **Do not expose power tools to rain or wet conditions.** Water entering a power tool will increase the risk of electric shock.
- d. **Do not abuse the cord. Never use the cord for carrying, pulling or unplugging the power tool. Keep cord away from heat, oil, sharp edges or moving parts.** Damaged or entangled cords increase the risk of electric shock.
- e. **When operating a power tool outdoors, use an extension cord suitable for outdoor use.** Use of a cord suitable for outdoor use reduces the risk of electric shock.
- f. **If operating a power tool in a damp location is unavoidable, use a residual current device (RCD) protected supply.** Use of an RCD reduces the risk of electric shock.

**3. Personal safety**

- a. **Stay alert, watch what you are doing and use common sense when operating a power tool. Do not use a power tool while you are tired or under the influence of drugs, alcohol or medication.** A moment of inattention while operating power tools may result in serious personal injury.
  - b. **Use personal protective equipment. Always wear eye protection.** Protective equipment such as a dust mask, non-skid safety shoes, hard hat, or hearing protection used for appropriate conditions will reduce personal injuries.
  - c. **Prevent unintentional starting. Ensure the switch is in the off-position before connecting to power source and/or battery pack, picking up or carrying the tool.** Carrying power tools with your finger on the switch or energising power tools that have the switch on invites accidents.
  - d. **Remove any adjusting key or wrench before turning the power tool on.** A wrench or a key left attached to a rotating part of the power tool may result in personal injury.
  - e. **Do not overreach. Keep proper footing and balance at all times.** This enables better control of the power tool in unexpected situations.
  - f. **Dress properly. Do not wear loose clothing or jewellery. Keep your hair and clothing away from moving parts.** Loose clothes, jewellery or long hair can be caught in moving parts.
  - g. **If devices are provided for the connection of dust extraction and collection facilities, ensure these are connected and properly used.** Use of dust collection can reduce dust-related hazards.
  - h. **Do not let familiarity gained from frequent use of tools allow you to become complacent and ignore tool safety principles.** A careless action can cause severe injury within a fraction of a second.
- 4. Power tool use and care**
- a. **Do not force the power tool. Use the correct power tool for your application.** The correct power tool will

- do the job better and safer at the rate for which it was designed.
- b. **Do not use the power tool if the switch does not turn it on and off.** Any power tool that cannot be controlled with the switch is dangerous and must be repaired.
  - c. **Disconnect the plug from the power source and/ or remove the battery pack, if detachable from the power tool before making any adjustments, changing accessories, or storing power tools.** Such preventive safety measures reduce the risk of starting the power tool accidentally.
  - d. **Store idle power tools out of the reach of children and do not allow persons unfamiliar with the power tool or these instructions to operate the power tool.** Power tools are dangerous in the hands of untrained users.
  - e. **Maintain power tools and accessories. Check for misalignment or binding of moving parts, breakage of parts and any other condition that may affect the power tools operation. If damaged, have the power tool repaired before use.** Many accidents are caused by poorly maintained power tools.
  - f. **Keep cutting tools sharp and clean.** Properly maintained cutting tools with sharp cutting edges are less likely to bind and are easier to control.
  - g. **Use the power tool, accessories and tool bits etc. in accordance with these instructions, taking into account the working conditions and the work to be performed.** Use of the power tool for operations different from those intended could result in a hazardous situation.
  - h. **Keep handles and grasping surfaces dry, clean and free from oil and grease.** Slippery handles and grasping surfaces do not allow for safe handling and control of the tool in unexpected situations.
5. **Service**
- a. **Have your power tool serviced by a qualified repair person using only identical replacement parts.** This will ensure that the safety of the power tool is maintained

## SAFETY INSTRUCTIONS FOR ALL OPERATIONS

### Safety warnings common for polishing

- a. **This power tool is intended to function as a polisher. Read all safety warnings, instructions, illustrations and specifications provided with this power tool.** Failure to follow all instructions listed below may result in electric shock, fire and/or serious injury.
- b. **Operations such as grinding, sanding, wire brushing or cutting-off are not recommended to be performed with this power tool.** Operations for which the power tool was not designed may create a hazard and cause personal injury.
- c. **Do not use accessories which are not specifically designed and recommended by the tool manufacturer.** Just because the accessory can be attached to your power tool, it does not assure safe operation.
- d. **The rated speed of the accessory must be at least equal to the maximum speed marked on the power tool.** Accessories running faster than their rated speed can break and fly apart.
- e. **The outside diameter and the thickness of your accessory must be within the capacity rating of your power tool.** Incorrectly sized accessories cannot be adequately guarded or controlled.
- f. **Threaded mounting of accessories must match the grinder spindle thread. For accessories mounted by flanges, the arbour hole of the accessory must fit the locating diameter of the flange.** Accessories that do not match the mounting hardware of the power tool will run out of balance, vibrate excessively and may cause loss of control.
- g. **Do not use a damaged accessory. Before each use inspect the accessory such as abrasive wheels for chips and cracks, backing pad for cracks, tear or excess wear, wire brush for loose or cracked wires. If power tool or accessory is dropped, inspect for damage or install an undamaged accessory. After inspecting and installing an accessory, position yourself and bystanders away from the plane of the rotating accessory and run the power tool at maximum no-load speed for one minute.** Damaged accessories will normally break apart during this test time.
- h. **Wear personal protective equipment. Depending on application, use face shield, safety goggles or safety glasses. As appropriate, wear dust mask, hearing protectors, gloves and workshop apron capable of stopping small abrasive or workpiece fragments. The eye protection must be capable of stopping flying debris generated by various operations.** The dust mask or respirator must be capable of filtering particles generated by your operation. Prolonged exposure to high intensity noise may cause hearing loss.
- i. **Keep bystanders a safe distance away from work area. Anyone entering the work area must wear personal protective equipment.** Fragments of workpiece or of a broken accessory may fly away and cause injury beyond immediate area of operation.
- j. **Hold power tool by insulated gripping surfaces only, when performing an operation where the cutting accessory may contact hidden wiring or its own cord. Cutting accessory contacting a "live" wire may make exposed metal parts of the power tool "live" and shock the operator.**
- k. **Position the cord clear of the spinning accessory.** If you lose control, the cord may be cut or snagged and your hand or arm may be pulled into the spinning accessory.
- l. **Never lay the power tool down until the accessory has come to a complete stop.** The spinning accessory may grab the surface and pull the power tool out of your control.
- m. **Do not run the power tool while carrying it at your side.** Accidental contact with the spinning accessory could snag your clothing, pulling the accessory into your body.
- n. **Regularly clean the power tool's air vents.** The motor's fan will draw the dust inside the housing and

excessive accumulation of powdered metal may cause electrical hazards.

- o. **Do not operate the power tool near flammable materials.** Sparks could ignite these materials.
- p. **Do not use accessories that require liquid coolants.** Using water or other liquid coolants may result in electrocution or shock.

### FURTHER SAFETY INSTRUCTIONS FOR ALL OPERATIONS

#### Kickback and related warnings

Kickback is a sudden reaction to a pinched or snagged rotating wheel, backing pad, brush or any other accessory. Pinching or snagging causes rapid stalling of the rotating accessory which in turn causes the uncontrolled power tool to be forced in the direction opposite of the accessory's rotation at the point of the binding.

For example, if an abrasive wheel is snagged or pinched by the workpiece, the edge of the wheel that is entering into the pinch point can dig into the surface of the material causing the wheel to climb out or kick out. The wheel may either jump toward or away from the operator, depending on direction of the wheel's movement at the point of pinching. Abrasive wheels may also break under these conditions.

Kickback is the result of tool misuse and/or incorrect operating procedures or conditions and can be avoided by taking proper precautions as given below:

- a. **Maintain a firm grip on the power tool and position your body and arm to allow you to resist kickback forces. Always use auxiliary handle, if provided, for maximum control over kickback or torque reaction during start up.** The operator can control torque reaction or kickback forces, if proper precautions are taken.
- b. **Never place your hand near the rotating accessory.** Accessory may kickback over your hand.
- c. **Do not position your body in the area where power tool will move if kickback occurs.** Kickback will propel the tool in direction opposite to the wheel's movement at the point of snagging.
- d. **Use special care when working corners, sharp edges, etc. Avoid bouncing and snagging the accessory.** Corners, sharp edges or bouncing have a tendency to snag the rotating accessory and cause loss of control or kickback.
- e. **Do not attach a saw chain woodcarving blade or toothed saw blade.** Such blades create frequent kickback and loss of control.

### ADDITIONAL SAFETY INSTRUCTIONS FOR POLISHING OPERATIONS

#### Safety warnings specific for polishing operations

- a. **Do not allow any loose portion of the polishing bonnet or its attachment strings to spin freely. Tuck away or trim any loose attachment strings.** Loose and spinning attachment strings can entangle your fingers or snag on the workpiece.
- b. **When adding lubricating oil and changing accessories please follow this manual instruction.**
- c. **The handle must keep dry clean and without oil.**

### ADDITIONAL SPECIFIC SAFETY RULES



#### WARNING! Safety instructions for polisher

- a. **Always use eye protection.** All users and bystanders must wear eye protection that conforms to ANSI Z87.1.
- b. **Clean out your tool often, especially after heavy use.** Dust and grit containing metal particles often accumulate on interior surfaces and could create an electric shock hazard.
- c. **Do not operate this tool for long periods of time.** Vibration caused by the operating action of this tool may cause permanent injury to fingers, hands and arms. Use gloves to provide extra cushion, take frequent rest periods and limit daily time of use.
- d. **Air vents often cover moving parts and should be avoided.** Loose clothes, jewelry or long hair can be caught in moving parts.



**WARNING:** ALWAYS use safety glasses. Everyday eyeglasses are NOT safety glasses. Also use face or dust if cutting operation is dusty. ALWAYS WEAR CERTIFIED SAFETY EQUIPMENT.



**WARNING:** Always wear proper personal hearing protection that conforms to ANSI S12.6 (S3.19) during use. Under some conditions and duration of use, noise from this product may contribute to hearing loss.



**WARNING:** Use of this tool can generate and/or disperse dust, which may cause serious and permanent respiratory or other injury. Always use NIOSH/OSHA approved respiratory protection appropriate for the dust exposure. Direct particles away from face and body.



**CAUTION:** Use extra care when working into a corner because a sudden, sharp movement of the polisher may be experienced when the wheel or other accessory contacts a secondary surface or a surface edge.

#### Additional safety information



**WARNING:** We recommend the use of a residual current device with a residual current rating of 30mA or less.

### SAFETY OF OTHERS

- This tool is not intended for use by persons (including children) with reduced physical, sensory or mental capabilities, or lack of experience and knowledge, unless they have been given supervision or instruction concerning use of the tool by a person responsible for their safety.
- Children should be supervised to ensure that they do not play with the appliance.

### RESIDUAL RISKS

In spite of the application of the relevant safety regulations and the implementation of safety devices, certain residual risks cannot be avoided. These are:

- Impairment of hearing
- Risk of personal injury due flying particles.

- Risk of burns due to accessories becoming hot during operation.
- Risk of personal injury due to prolonged use.
- Risk of dust from hazardous substances.

## ELECTRICAL SAFETY



Your tool is double insulated; therefore no earth wire is required. Always check that the main voltage corresponds to the voltage on the rating plate.



**WARNING!** If the power cord is damaged, it must be replaced by the manufacturer, authorized STANLEY Service Center or an equally qualified person in order to avoid damage or injury. If the power cord is replaced by an equally qualified person, but not authorized by STANLEY, the warranty will not be valid.

## USING AN EXTENSION CABLE

If an extension cable is required, use an approved 3-core extension cable suitable for the power input of this tool (see Technical data). The minimum conductor size is 1.5 mm<sup>2</sup>; the maximum length is 30 m. When using a cable reel, always unwind the cable completely.

Cable cross-sectional area (mm <sup>2</sup> )	Cable rated current (Ampere)
0.75	6
1.00	10
1.50	15
2.50	20
4.00	25

Cable length (m)						
	7.5	15	25	30	45	60

Voltage	Amperes	Cable rated current (Ampere)					
110-127	0 - 2.0	6	6	6	6	6	10
	2.1 - 3.4	6	6	6	6	15	15
	3.5 - 5.0	6	6	10	15	20	20
	5.1 - 7.0	10	10	15	20	20	25
	7.1 - 12.0	15	15	20	25	25	-
220-240	12.1 - 20.0	20	20	25	-	-	-
	0 - 2.0	6	6	6	6	6	6
	2.1 - 3.4	6	6	6	6	6	6
	3.5 - 5.0	6	6	6	6	10	15
	5.1 - 7.0	10	10	10	10	15	15
	7.1 - 12.0	15	15	15	15	20	20
	12.1 - 20.0	20	20	20	20	25	-

## LABELS ON TOOL

The label on your tool may include the following symbols:

	must read the instruction manual before use. <b>WARNING!</b> To reduce the risk of injury, the user		
	Wear safety glasses or goggles.		
	Wear ear protection.		
	Wear a dust mask.		
V	Volts		Direct Current
A	Amperes	$\eta_0$	No-Load Speed
Hz	Hertz		Class II Construction
W	Watts		Earthing Terminal
min	minutes		Safety Symbol Alert Symbol
	Alternating Current	/min.	Revolutions or Reciprocation per minute

## Position of date code

The Date Code, which also includes the year of manufacture, is printed into the housing.

Example:

2017 XX JN  
Year of manufacturing

## PACKAGE CONTAINS

- 1 Polisher
- 1 Velcro backing pad
- 1 Velcro wool bonnet
- 1 Instruction manual
- 1 Warranty card
- Check for damage to the tool, parts or accessories which may have occurred during transport.
- Take the time to thoroughly read and understand this manual prior to operation.

## FEATURES (Fig A)



**WARNING:** Never modify the power tool or any part of it. Damage or personal injury could result.

1. Speed control wheel
2. Velcro backing pad
3. Trigger switch
4. Brush cap
5. Spindle lock button
6. Lock-on button
7. D-handle
8. Velcro bonnet
9. Spindle

## ASSEMBLY



**WARNING:** To reduce the risk of serious personal injury, turn tool off and disconnect tool from power source before making any adjustments or removing/installing attachments or accessories. Before reconnecting the tool, depress and release the trigger switch to ensure that the tool is off. An accidental start-up can cause injury.

### Speed control wheel (Fig A)

The maximum speed of your tool can be changed by rotating the speed control wheel (1) to the desired setting. The wheel incorporates detents to prevent inadvertent wheel movement and to facilitate speed selection. For added versatility, the switch may be locked in its full on position and tool speed changed by means of the speed control wheel (1) alone.

The electronic speed control not only lets you select the speed to suit the job, but also helps to maintain that consistent speed as you load the tool by pressing down.

The speed control wheel (1) can be set for any speed between 500 and 3600 RPM from level 1 to level MAX.

### Spindle lock button (Fig B)



**WARNING:** To reduce the risk of serious personal injury, turn tool off and disconnect tool from power source before making any adjustments or removing/installing attachments or accessories. Before reconnecting the tool, depress and release the trigger switch to ensure that the tool is off.

In order to prevent the spindle of the tool from rotating while installing or removing backing pad, a spindle lock button has been provided in the gear head of the machine. To lock the spindle, depress and hold the lock button. NEVER DEPRESS THE SPINDLE LOCK BUTTON WITH THE TOOL RUNNING OR COASTING.

## USE



**WARNING!** To reduce the risk of serious personal injury, turn tool off and disconnect tool from power source before making any adjustments or removing/installing attachments or accessories. Before reconnecting the tool, depress and release the trigger switch to ensure that the tool is off.

### Attaching and removing polishing pads (Fig. B)



**WARNING!** To reduce the risk of serious personal injury, do not allow any loose portion of the polishing pads.

Install backing pad (2) onto spindle (9), fasten it by hand while depressing spindle lock button (5); Turn off the pad in the opposite way.

The SP137 could use Velcro bonnets and the bonnets with strings. Velcro bonnet can be attached and peel off to the backing pad (2) directly, being careful to center the bonnets with the pad.

Suppose the pads with strings are applied, ensure no any loose portion of the pads or its attachment strings to spin freely. Tuck away or trim any loose attachment strings. Loose and spinning attachment strings can entangle your finger or snag on the workpiece.

### Polishing

These instructions and suggestions are intended to familiarize new operators in overall general operation of power polishing. You will develop your own techniques which will make the job easier and faster as you learn power polishing.

- You should use utmost care when power polishing around or over sharp objects and contours of the car body. It is very important to use the correct pressure while polishing various sections of an automobile body. For example, light pressure should be applied when polishing over sharp edges of body panels, or over edges of the rain gutter along the top.
- Since everyone does not use the same type of power polish, we recommend you clean and polish a test section on a flat area of the car first. From this test section, you can judge the strength or cleaning action of your power polish.
- Remember, all power polish is not the same. Different brands will react differently on various painted surfaces. Also, you are now using a power polisher with the variable speed setting. This is entirely different from any hand application which you may have done before. Wash the car before power polishing it. Washing will remove loose dirt, scum, road salt, etc. which could act as an abrasive and damage paint. Loose dirt, etc. will also clog the polishing pad and you will have to clean it more often.
- Without turning the tool on, grasp the handles of the tool and pick it up. Keep the tool away from your body and



depress the trigger switch. Make sure you have a firm grip on the handles and operate the tool freely without forced effort or unnecessary pressure. The side handle can be easily changed to either side of the tool for left-handed or right-handed operation.

**NOTE:** The high speed rubbing action of the polishing bonnet upon the surface of an automobile can build a static charge on the metal portions of this tool. This can result in a sensation of a very short mild electric shock when the metal area of the tool is touched, and will be more noticeable on days when the humidity is low. This is a harmless phenomenon but you are invited to bring the tool to a STANLEY service center where it can be checked to assure that no electrical malfunction is present.

## MAINTENANCE

Your STANLEY power tool has been designed to operate over a long period of time with a minimum of maintenance. Continuous satisfactory operation depends upon proper tool care and regular cleaning.

- Regularly clean the ventilation slots in your tool using a soft brush or dry cloth.
- Regularly clean the motor housing using a damp cloth. Do not use any abrasive or solvent-based cleaner. This machine is not user-serviceable. If problems occur contact an authorized repair agent.



### Lubrication

Your power tool requires no additional lubrication.



### Cleaning



**WARNING:** Blow dirt and dust out of the main housing with dry air as often as dirt is seen collecting in and around the air vents. Wear approved eye protection and approved dust mask when performing this procedure.



**WARNING:** Never use solvents or other harsh chemicals for cleaning the non-metallic parts of the tool. These chemicals may weaken the materials used in these parts. Use a cloth dampened only with water and mild soap. Never

let any liquid get inside the tool; never immerse any part of the tool into a liquid. To maintain products SAFETY and RELIABILITY, repair, carbon brush inspection and replacement, any other maintenance or adjustment should be performed by STANLEY Service Centers, always using Stanley replacement parts.

## ACCESSORIES



**WARNING:** Since accessories, other than those offered by STANLEY, have not been tested with this product, use of such accessories with this tool could be hazardous. To reduce the risk of injury, only STANLEY recommended accessories should be used with this product.

Consult your dealer for further information on the appropriate accessories.

## PROTECTING THE ENVIRONMENT



Separate collection. This product must not be disposed of with normal household waste.

Should you find one day that your STANLEY product needs replacement, or if it is of no further use to you, do not dispose of it with household waste. Make this product available for separate collection.



STANLEY provides a facility for the collection and recycling of STANLEY products once they have reached the end of their working life. To take advantage of this service please return your product to any authorised repair agent who will collect them on our behalf.

You can check the location of your nearest authorised repair agent by contacting your local STANLEY office at the address indicated in this manual. Alternatively, a list of authorised STANLEY repair agents and full details of our after-sales service and contacts are available on the Internet at: [www.2helpU.com](http://www.2helpU.com)

## NOTES

STANLEY's policy is one of continuous improvement to our products and as such, we reserve the right to change product specifications without prior notice. Standard equipment and accessories may vary by country. Product specifications may differ by country. Complete product range may not be available in all countries. Contact your local STANLEY dealers for range availability

## SERVICE INFORMATION

STANLEY offers a full network of company-owned and authorized service locations. All STANLEY Service Centers are staffed with trained personnel to provide customers with efficient and reliable power tool service. For more information about our authorized service centers and if you need technical advice, repair, or genuine factory replacement parts, contact the STANLEY location nearest you.

## TECHNICAL DATA

POLISHER	SP137	
Voltage	V <sub>AC</sub>	220~240
Frequency	Hz	50-60
Power input	W	1300
Rated speed	min <sup>-1</sup>	500-3600
Pad diameter	mm	180
Spindle size		M14
Aux handle		D handle
Weight	kg	3.2

## Level of sound pressure according to EN60745

Sound pressure ( $L_{pA}$ )	dB(A)	86.6
Sound pressure uncertainty ( $K_{pA}$ )	dB(A)	3
Sound power ( $L_{WA}$ )	dB(A)	97.6
Sound power uncertainty ( $K_{WA}$ )	dB(A)	3

## Vibration emission value ah:

(ah) =	$m/s^2$	4.4
Uncertainty (K) =	$m/s^2$	1.5

## VIBRATION AND NOISE

The declared vibration and noise emission values stated in the technical data and the declaration of conformity have been measured in accordance with a standard test method provided by EN 62841 and may be used for comparing one tool with another. The declared vibration and noise emission value may also be used in a preliminary assessment of exposure.



**WARNING!** The vibration and noise emission value during actual use of the power tool can differ from the declared value depending on the ways in which the tool is used. The vibration and noise level may increase above the level stated.

When assessing vibration and noise exposure to determine safety measures required by 2002/44/EC to protect persons regularly using power tools in employment, an estimation of vibration and noise exposure should consider, the actual conditions of use and the way the tool is used, including taking account of all parts of the operating cycle such as the times when the tool is switched off and when it is running idle in addition to the trigger time.

## EC declaration of conformity

MACHINERY DIRECTIVE



SP137 - Polisher

STANLEY declares that these products described under "technical data" are in compliance with: 2006/42/EC, EN 60745-1:2009 + A11:2010, EN 60745-2-3:2011+ A2:2013 + A11:2014 + A12:2014 + A13:2015.

These products also comply with Directive 2014/30/EU and 2011/65/EU. For more information, please contact STANLEY at the following address or refer to the back of the manual.

The undersigned is responsible for compilation of the technical file and makes this declaration on behalf of STANLEY.

R.Laverick

Engineering Manager

STANLEY, Europe, Egide Walschaertsstraat14-18,

2800 Mechelen, Belgium

06.2018

## TWO YEAR WARRANTY

If your STANLEY product becomes defective due to faulty materials or workmanship within 24 months from the date of purchase, STANLEY guarantees to replace all defective parts free of charge or – at our discretion – replace the unit free of charge provided that:

- The product has not been misused and has been used in accordance with the instruction manual;
- The product has been subject to fair wear and tear;
- Repairs have not been attempted by unauthorized persons;
- Proof of purchase is produced;
- The STANLEY product is returned complete with all original components;
- The product hasn't been used for hire purposes.

If you wish to make a claim, contact your seller or check the location of your nearest authorised STANLEY repair agent in the STANLEY catalogue or contact your local STANLEY office at the address indicated in this manual. A list of authorised STANLEY repair agents and full details of our after sales service is available on the internet at: [www.2helpU.com](http://www.2helpU.com)

## UTILISATION PRÉVUE

Votre polisseuse SP137 de STANLEY a été conçue pour un usage professionnel chez un spécialiste en esthétique automobile et pour polir des surfaces en matériaux divers. N'utilisez pas cet outil dans des environnements humides ou en présence de liquides inflammables ou de gaz. Cet outil est destiné à une utilisation professionnelle.

## CONSIGNES DE SÉCURITÉ

Les définitions ci-dessous définissent le niveau de gravité de chaque mention d'avertissement. Veuillez lire le manuel et prêter attention à ces symboles.



**DANGER:** Indique une situation imminente dangereuse qui, si elle n'est pas évitée, entraînera des blessures graves ou la mort.



**AVERTISSEMENT:** Indique une situation potentiellement dangereuse qui, si elle n'est pas évitée, entraînera des blessures graves ou la mort.



**ATTENTION:** Indique une situation potentiellement dangereuse qui, si elle n'est pas évitée, entraînera des blessures légères ou mineures.

**AVIS :** Indique une pratique ne concernant pas les blessures corporelles qui, si elle n'est pas évitée, peut entraîner des dommages matériels.



Indique un risque d'électrocution.



Indique un risque d'incendie.



**Avertissement :** Afin de réduire le risque de blessure, lisez le manuel d'instruction.

**Avertissements de sécurité générale concernant l'outil électrique**



**AVERTISSEMENT!** Lisez tous les avertissements de sécurité, les instructions, les illustrations et les spécifications fournies avec cet outil électrique. Le non-respect de ces avertissements et de ces instructions peut provoquer un incendie, une électrocution et/ou de graves blessures.

**Conservez ces avertissements et ces instructions à titre de référence ultérieure.** Le terme « outil électrique » dans les avertissements fait référence à votre outil électrique alimenté par le courant (avec cordon d'alimentation) ou fonctionnant sur batterie (sans cordon).

### 1. Sécurité de l'aire de travail

- Travaillez dans un endroit propre et bien éclairé.** Les zones encombrées et sombres peuvent entraîner des accidents.
- Ne mettez pas en marche votre outil électrique dans un environnement explosif, ou en présence de liquides inflammables, de gaz, ou de poussières.** La mise en marche de l'outil crée des étincelles qui peuvent enflammer les poussières ou vapeurs.
- Éloignez les enfants et les personnes présentes de la zone lorsque l'outil est en fonctionnement.** Toute distraction peut vous faire perdre le contrôle de l'outil.

### 2. Sécurité électrique

- Les fiches de l'outil électrique doivent correspondre à la prise secteur.** Ne modifiez jamais la fiche, de quelque manière que ce soit. N'utilisez pas d'adaptateurs avec des outils ayant une prise de terre (mis à la terre). Des fiches non modifiées et raccordées aux prises murales correspondantes réduiront les risques de choc électrique.
- Évitez le contact direct avec les surfaces mises à la terre ou mises à la masse comme les canalisations, les radiateurs, les cuisinières et les réfrigérateurs.** Le risque de choc électrique augmente si votre corps est mis à la terre ou à la masse.
- N'utilisez pas d'outils électriques dans des environnements pluvieux ou humides.** Si de l'eau s'introduit dans un outil électrique, le risque de choc électrique augmentera.
- Ne malmenez pas le cordon d'alimentation.** N'utilisez jamais le cordon pour transporter, tirer ou débrancher l'outil électrique. Veillez à garder le cordon éloigné des sources de chaleur, des huiles, des rebords coupants ou des pièces mobiles. Les câbles endommagés ou entremêlés augmentent le risque de choc électrique.
- Lorsqu'un outil électrique est utilisé à l'extérieur, utilisez uniquement une rallonge spécialement prévue à cet effet.** L'usage d'une rallonge adaptée à l'utilisation en extérieur réduit le risque de choc électrique.
- Habilitez-vous correctement. Ne portez pas de vêtements amples ou de bijoux.** Gardez vos cheveux, vos vêtements et vos gants éloignés des pièces mobiles. Tenez vos cheveux, vêtements et gants éloignés des pièces mobiles. Les vêtements amples, les bijoux ou les cheveux longs peuvent être happés par les pièces mobiles.

### 3. Sécurité personnelle

- Soyez vigilant, regardez bien ce que vous faites et faites preuve de bon sens lorsque vous utilisez l'outil électrique.** N'utilisez pas d'outil électrique si vous êtes sous l'influence de drogues, d'alcool ou de médicaments. Un instant d'inattention pendant l'utilisation d'outils électriques peut entraîner des blessures graves.
- Utilisez un équipement de protection individuel. Utilisez toujours une protection oculaire.** L'utilisation d'équipements de protection tels que les masques anti-poussière, les chaussures de sécurité antidérapantes, les casques de sécurité ou les protections auditives dans des conditions appropriées réduiront les risques de blessures corporelles.
- Évitez les démarrages intempestifs.** Veillez à ce que l'interrupteur soit en position d'arrêt avant de brancher l'outil à une source d'alimentation et/ou une batterie, de ramasser l'outil ou de le transporter. Transporter les outils électriques avec le doigt sur l'interrupteur ou brancher les outils électriques avec l'interrupteur en position de marche peut entraîner des accidents.

- d. **Retirez toute clé à molette ou autre clé de réglage avant de mettre l'outil électrique en marche.** Laissez une clé à molette ou une clé sur une partie rotative de l'outil électrique peut engendrer des blessures corporelles.
  - e. **Ne vous penchez pas trop.** Gardez en permanence une position stable et un bon équilibre. Cela permet un meilleur contrôle de l'outil électrique dans des situations imprévues.
  - f. **Portez des vêtements appropriés.** Ne portez pas de vêtements amples ou de bijoux. Tenez vos cheveux, vêtements et gants éloignés des pièces mobiles. Les vêtements amples, les bijoux ou les cheveux longs peuvent être happés par les pièces mobiles.
  - g. **Si des dispositifs destinés au raccordement d'installations d'extraction et de recueil de la poussière sont fournis, assurez-vous qu'ils sont correctement raccordés et utilisés.** L'utilisation de cet outil peut réduire les dangers associés à la présence de poussières.
  - h. **Ne pensez pas que la familiarité que vous avez acquise en utilisant fréquemment des outils vous permet d'être complaisant et d'ignorer les principes de sécurité concernant l'utilisation des outils.** Une action imprudente peut causer de graves blessures en une fraction de seconde.
- 4. Utilisation et entretien de l'outil électrique**
- a. **Ne forcez pas l'outil électrique.** Utilisez l'outil électrique adapté à votre travail. L'outil adapté est plus efficace et moins dangereux s'il est utilisé à la vitesse pour laquelle il a été conçu.
  - b. **N'utilisez pas l'outil si l'interrupteur ne le met pas en position de marche et d'arrêt.** Tout outil qui ne peut être contrôlé par l'interrupteur est dangereux et doit être réparé.
  - c. **Débrancher la fiche de l'alimentation source et / ou la batterie de la outil électrique avant de faire ajustements, changement d'accessoires, ou stockage d'outils électriques.** Ces mesures de sécurité préventives réduisent le risque de démarrage accidentel de l'outil électrique.
  - d. **Conservez les outils électriques inutilisés hors de la portée des enfants et ne laissez pas de personnes non familiarisées avec l'outil ou ces instructions utiliser l'outil électrique.** Les outils électriques sont dangereux pour les utilisateurs inexpérimentés.
  - e. **Maintenir les outils électriques.** Vérifiez la dérive d'alignement ou l'attache des pièces mobiles, toute possibilité de rupture de pièces et tout état pouvant affecter l'outil lors de son utilisation. Si l'outil est endommagé, faites-le réparer avant de l'utiliser. De nombreux accidents sont dus à des outils électriques mal entretenus.
  - f. **Maintenez les outils de coupe aiguisés et propres.** Les outils de coupe bien entretenus aux bords aiguisés sont moins susceptibles de se coincer et plus faciles à contrôler.
  - g. **Utilisez l'outil électrique, les accessoires et les mèches de l'outil etc., conformément à ces instructions en prenant en compte les conditions**

**de travail et la tâche à réaliser.** L'utilisation de l'outil électrique pour des opérations différentes de celles pour lesquelles il a été conçu peut entraîner une situation dangereuse.

- h. **Maintenez les poignées et les surfaces de préhension sèches, propres et exemptes d'huile et de graisse.** Des poignées et des surfaces de préhension glissantes ne permettent pas de manipuler l'outil en toute sécurité et de le contrôler dans des situations inattendues.

## **5. Réparation**

- a. **Faites réparer votre outil électrique par un réparateur agréé utilisant uniquement les pièces de rechange identiques.** Cela permettra de garantir la sécurité de l'outil électrique.

## **CONSIGNES DE SÉCURITÉ POUR TOUTE UTILISATION**

### **Avertissements de sécurité spécifiques au polissage**

- a. **Cet outil électrique est destiné à fonctionner comme polisseuse. Lisez tous les avertissements de sécurité, les instructions et les illustrations accompagnant cet outil électrique.** Le non-respect des instructions énumérées ci-dessous peut entraîner une décharge électrique, un incendie ou des blessures graves.
- b. **Cet outil électrique n'est pas destiné à être utilisé comme une ponceuse, une brosse circulaire ou une tronçonneuse et une telle utilisation n'est pas recommandée.** Toute utilisation de l'outil électrique non conforme à l'usage prévu est dangereuse et peut provoquer des blessures corporelles.
- c. **N'utilisez pas d'accessoires autres que ceux spécialement conçus et recommandés par le fabricant de l'outil.** Le simple fait de pouvoir fixer un accessoire à votre outil électrique ne signifie pas que son utilisation est sécurisée.
- d. **La vitesse nominale de l'accessoire doit être au moins égale à la vitesse maximale indiquée sur l'outil électrique.** Les accessoires utilisés à une vitesse supérieure à leur vitesse nominale peuvent se briser et se détacher.
- e. **Le diamètre extérieur et l'épaisseur de votre accessoire doivent être inférieurs à la capacité nominale de votre outil électrique.** Les accessoires de taille incorrecte ne peuvent être correctement protégés ou contrôlés.
- f. **Le taraudage des accessoires utilisés doit correspondre au filetage de la broche de la polisseuse. Pour les accessoires montés avec des flasques, le diamètre intérieur de l'accessoire doit correspondre au diamètre extérieur de positionnement du flasque.** Les accessoires qui ne correspondent pas au matériel de montage de l'outil électrique seront déséquilibrés, ce qui entraînera des vibrations excessives pouvant aboutir à une perte de contrôle.
- g. **N'utilisez pas d'accessoire endommagé. Avant chaque utilisation, vérifiez que l'accessoire, comme un disque abrasif, n'est pas ébréché, craquelé ou défectueux, que la plaque n'est pas fissurée ou usée et que la brosse est bien fixée et**

en bon état. En cas de chute de l'outil électrique ou de l'accessoire, vérifiez qu'il n'est pas endommagé ou installez un accessoire en bon état. Après avoir vérifié et installé un accessoire, placez-vous ainsi que les personnes présentes à distance de la surface tournante de l'accessoire et faites tourner l'outil électrique à vitesse maximale à vide pendant une minute. Les accessoires endommagés vont normalement se briser pendant ce test.

- h. **Portez un équipement de protection individuelle.** En fonction de l'utilisation, utilisez un écran facial, des lunettes protectrices contre les agents chimiques ou des lunettes de sécurité. Si nécessaire, portez un masque anti-poussière, des protections auditives, des gants et un tablier capables d'arrêter les petits fragments abrasifs ou les copeaux de la pièce à polir. La protection oculaire doit pouvoir arrêter les projections de débris générés au cours de différentes opérations. Le masque anti-poussière ou le respirateur doivent être capables de filtrer les particules produites par vos travaux. Une exposition prolongée à des bruits de forte intensité peut provoquer une perte de l'audition.
- i. **Les personnes présentes doivent se tenir à distance de la zone de travail.** Toute personne entrant dans la zone de travail doit porter un équipement de protection individuelle. Des fragments de la pièce à polir ou de l'accessoire peuvent être projetés au-delà de la zone d'utilisation immédiate et provoquer des blessures.
- j. **Tenez l'outil électrique uniquement par les surfaces isolées lorsque vous effectuez une opération au cours de laquelle l'accessoire coupant peut être en contact avec des câbles cachés ou avec son propre câble d'alimentation.** Si l'accessoire coupant entre en contact avec un câble « alimenté », les pièces métalliques de l'outil électrique risquent de transmettre le courant et exposer ainsi l'opérateur à une décharge électrique.
- k. **Éloignez le cordon de l'accessoire en rotation.** Si vous perdez le contrôle de l'outil, le cordon peut être coupé ou s'enrouler autour de l'outil, attirant votre main ou bras en contact avec l'accessoire en rotation.
- l. **Ne posez jamais l'outil électrique avant que l'accessoire ne soit à l'arrêt complet.** L'accessoire en rotation peut accrocher la surface et vous faire perdre le contrôle de l'outil électrique.
- m. **Ne faites pas fonctionner l'outil électrique lorsque vous le transportez sur le côté.** Un contact accidentel avec l'accessoire en rotation peut accrocher vos vêtements et mettre l'accessoire en contact avec votre corps.
- n. **Nettoyez régulièrement les orifices d'aération de l'outil électrique.** Le ventilateur du moteur risque d'attirer la poussière à l'intérieur du logement et une accumulation excessive de métaux peut provoquer des dangers électriques.
- o. **Ne faites pas fonctionner l'outil électrique à proximité de matériaux inflammables.** Des étincelles pourraient enflammer ces matériaux.
- p. **N'utilisez pas d'accessoires qui nécessitent des liquides de refroidissement.** L'usage d'eau ou

d'autres liquides de refroidissement peut entraîner une électrocution ou une décharge électrique.

### CONSIGNES DE SÉCURITÉ ADDITIONNELLES POUR TOUTE UTILISATION

#### Recul et mises en garde associées

Le recul est une réaction soudaine provoquée par le pincement ou l'accrochage d'un disque, d'une assiette-support, d'une brosse ou de tout autre accessoire en rotation. L'accessoire en rotation cale alors rapidement, ce qui projette l'outil électrique non contrôlé dans la direction opposée à la rotation de l'accessoire au point de pincement entre l'accessoire et la pièce.

Par exemple, si un disque abrasif est accroché ou pincé par la pièce à polir, le rebord du disque qui entre dans le point de pincement peut accrocher la surface du matériau, provoquant des sauts ou des retours de disque. Le disque peut alors dévier vers l'opérateur ou dans la direction opposée selon la direction de rotation du disque au point de pincement. Les disques abrasifs peuvent également se rompre dans ces conditions.

Le recul résulte d'un mauvais usage de l'outil et/ou de l'inobservation des procédures d'utilisation et peut être évité en suivant les précautions appropriées indiquées ci-dessous :

- a. **Maintenez fermement l'outil électrique et placez votre corps et vos bras de manière à résister aux reculs.** Utilisez toujours la poignée auxiliaire, s'il y en a une, afin d'avoir une maîtrise maximale du recul ou de la réaction de couple lors du démarrage. L'opérateur peut maîtriser les réactions de couple ou les forces de recul s'il prend les précautions appropriées.
- b. **Ne placez jamais votre main à proximité de l'accessoire en rotation.** L'accessoire peut rebondir sur votre main.
- c. **Ne vous placez pas dans la zone où l'outil électrique se déplacera en cas de rebond.** Le recul propulse l'outil dans la direction opposée au mouvement du disque au point d'accrochage.
- d. **Soyez particulièrement attentif lorsque vous travaillez sur des angles, des rebords coupants, etc.** Évitez d'accrocher ou de faire rebondir l'accessoire. Les coins, les rebords tranchants et les rebonds ont tendance à accrocher l'accessoire en rotation et à provoquer une perte de contrôle ou un recul.
- e. **Ne montez pas de chaîne coupante, de lame à sculpter ou toute autre lame de scie dentée.** Ces lames provoquent souvent des retours et des pertes de contrôle.

### CONSIGNES DE SÉCURITÉ SUPPLÉMENTAIRES POUR LES OPÉRATIONS DE POLISSAGE

**Avvertissements de sécurité spécifiques aux opérations de polissage**

- a. **Ne laissez aucune partie lâche du bonnet de polissage ou ses cordons tourner librement.** Cachez ou coupez tout cordon lâche. Des cordons lâches ou en rotation peuvent saisir vos doigts ou s'accrocher à la pièce à polir.

- b. Lors de l'ajout d'huile de lubrification et du changement d'accessoires, veuillez observer ces instructions du manuel.
- c. La poignée doit être maintenue sèche, propre et sans huile.

### CONSIGNES DE SÉCURITÉ SPÉCIFIQUES ADDITIONNELLES



**AVERTISSEMENT !** Consignes de sécurité relatives au polissage

- a. **Utilisez toujours une protection oculaire.** Tous les utilisateurs et personnes à proximité doivent porter des lunettes de protection conformes à la norme ANSI Z87.1.
- b. **Nettoyez votre outil souvent, particulièrement après une utilisation intensive.** La poussière et les grains contenant des particules de métaux s'accumulent souvent sur les surfaces intérieures et peuvent entraîner des risques de décharge électrique.
- c. **N'utilisez pas cet outil pendant de longues périodes.** Les vibrations causées durant le fonctionnement de l'outil peuvent causer des blessures permanentes aux doigts, aux mains et aux bras. Utilisez des gants pour amortir davantage les vibrations, prenez des périodes de repos fréquentes et limitez la durée quotidienne d'utilisation de l'outil.
- d. **Les bouches d'aération couvrent souvent les pièces mobiles et devraient être évitées.** Les vêtements amples, les bijoux ou les cheveux longs peuvent être happés par les pièces mobiles.



**AVERTISSEMENT :** Portez TOUJOURS des lunettes de protection. Les lunettes de vue ordinaires ne sont PAS des lunettes de sécurité. Utilisez également un masque pour le visage ou un masque anti-poussière si le polissage produit beaucoup de poussière. **PORTEZ TOUJOURS UN ÉQUIPEMENT DE SÉCURITÉ CERTIFIÉ.**



**AVERTISSEMENT :** Durant l'utilisation de l'outil, portez toujours une protection antibruit personnelle appropriée qui est conforme à la norme ANSI S12.6 (S3.19). Selon les conditions et durées d'utilisation, le bruit provoqué par cet outil peut entraîner une perte auditive.



**AVERTISSEMENT :** L'utilisation de cet outil peut générer et/ou disperser de la poussière pouvant provoquer des blessures respiratoires ou autres, graves et permanentes. Utilisez toujours des protections respiratoires certifiées OSHA/NIOSH appropriées à l'exposition à la poussière. Dirigez les particules loin du visage et du corps.



**ATTENTION :** Soyez extrêmement prudent lors du polissage dans un coin, pour éviter tout mouvement intempestif de la polisseuse lorsque le disque entre en contact avec une seconde surface ou une arête.

#### Consignes de sécurité supplémentaires



**AVERTISSEMENT :** Nous recommandons l'utilisation d'un dispositif à courant résiduel avec un courant résiduel nominal de 30 mA ou moins.

### БЕЗОПАСНОСТЬ ПОСТОРОННИХ ЛИЦ

- Данное изделие не может использоваться людьми (включая детей) со сниженными физическими, сенсорными и умственными способностями или при отсутствии необходимого опыта или навыка, за исключением, если они выполняют работу под присмотром лица, отвечающего за их безопасность.
- Не позволяйте детям играть с инструментом.

### ОСТАТОЧНЫЕ РИСКИ

Несмотря на соблюдение соответствующих инструкций по технике безопасности и использование предохранительных устройств, некоторые остаточные риски невозможно полностью исключить. К ним относятся:

- Ухудшение слуха
- Риск получения травмы от разлетающихся частиц.
- Риск получения ожогов от принадлежностей и насадок, которые в процессе работы сильно нагреваются.
- Риск получения травмы, связанный с продолжительным использованием инструмента.
- Риск вдыхания пыли от опасных для здоровья веществ.

### ЭЛЕКТРОБЕЗОПАСНОСТЬ



Данный инструмент защищён двойной изоляцией, что исключает потребность в заземляющем проводе. Всегда проверяйте, соответствует ли напряжение, указанное на табличке с техническими параметрами, напряжению электросети.



**ВНИМАНИЕ!** Во избежание повреждений или получения травмы, замена повреждённого кабеля питания должна производиться только на заводе-изготовителе, в авторизованном сервисном центре STANLEY или квалифицированным персоналом. При замене кабеля питания квалифицированным лицом, но не имеющим авторизацию STANLEY, гарантия на продукт будет недействительной.

### ИСПОЛЬЗОВАНИЕ УДЛИНИТЕЛЬНОГО КАБЕЛЯ

При необходимости использования удлинительного кабеля, используйте только утверждённые 3-х жильные кабели промышленного изготовления, рассчитанные на мощность не меньшую, чем потребляемая мощность данного инструмента (см. раздел «Технические характеристики»). Минимальный размер проводника должен составлять 1,5 мм<sup>2</sup>; максимальная длина кабеля не должна превышать 30 м. При использовании кабельного барабана, всегда полностью разматывайте кабель.

Поперечное сечение проводника (мм <sup>2</sup> )	Номинал кабеля (Ампер)
0.75	6
1.00	10
1.50	15
2.50	20
4.00	25

Длина кабеля (м)						
	7.5	15	25	30	45	60

Напряжение	Ампер	Номинал кабеля (Ампер)					
110-127	0 - 2.0	6	6	6	6	6	10
	2.1 - 3.4	6	6	6	6	15	15
	3.5 - 5.0	6	6	10	15	20	20
	5.1 - 7.0	10	10	15	20	20	25
	7.1 - 12.0	15	15	20	25	25	-
220-240	0 - 2.0	6	6	6	6	6	6
	2.1 - 3.4	6	6	6	6	6	6
	3.5 - 5.0	6	6	6	6	10	15
	5.1 - 7.0	10	10	10	10	15	15
	7.1 - 12.0	15	15	15	15	20	20
	12.1-20.0	20	20	20	20	25	-

## МАРКИРОВКА ИНСТРУМЕНТА

На инструменте имеются следующие знаки:

	<b>ВНИМАНИЕ!</b> Полное ознакомление с руководством по эксплуатации перед использованием инструмента снизит риск получения травмы.		
	Надевайте защитные очки или маску.		
	Используйте средства защиты органов слуха.		
	Надевайте защитную маску или респиратор.		
V	Вольт		Постоянный ток
A	Ампер	$\eta_0$	Скорость без нагрузки
Hz	Герц		Конструкция Класса II
W	Ватт		Клемма заземления
min	минут		Символ опасности
	Переменный ток	/min.	Кол-во оборотов или шагов в минуту

### Место положения кода даты

Код даты, который также включает в себя год изготовления, отштампован на поверхности корпуса инструмента.

Пример:

2017 XX JN  
Год изготовления

## L'ENSEMBLE CONTIENT

- 1 polisseuse
- 1 assiette-support à Velcro
- 1 bonnet en laine à Velcro
- 1 manuel d'instruction
- 1 carte de garantie
- Vérifiez que l'outil, les pièces détachées et les accessoires n'ont pas été endommagés durant le transport.
- Prenez le temps de bien lire et comprendre ce manuel avant d'utiliser l'outil.

**CARACTÉRISTIQUES (Fig. A)**

**AVERTISSEMENT** : Ne modifiez jamais l'outil électrique ou toute partie de celui-ci. Des dommages ou des blessures pourraient en résulter.

1. Molette de réglage de la vitesse
2. Assiette-support à velcro
3. Gâchette
4. Couvrecl de brosse
5. Bouton de verrouillage de la broche
6. Bouton de verrouillage
7. Poignée en D
8. Bonnet à velcro
9. Broche

**MONTAGE**

**AVERTISSEMENT** : Pour réduire le risque de blessures physiques graves, arrêtez l'outil et débranchez-le du secteur avant de réaliser des réglages ou de démonter/installer des accessoires. Avant de rebrancher l'outil, appuyez sur la gâchette et relâchez-la pour vous assurer que l'outil est déjà hors tension. Un démarrage accidentel peut provoquer des blessures.

**Molette de réglage de la vitesse (Fig. A)**

La vitesse maximale de votre outil peut être modifiée en tournant la molette de réglage de vitesse (1) sur la position désirée. La molette a des crans d'arrêt pour éviter qu'elle ne tourne par inadvertance et pour faciliter le choix de la vitesse. Pour plus de polyvalence, la gâchette peut être verrouillée dans sa position de marche normale et la vitesse de rotation de l'outil peut être alors modifiée à l'aide de la molette de réglage de vitesse (1) uniquement.

La régulation électronique de la vitesse vous permet non seulement de sélectionner la vitesse en fonction du polissage à effectuer, mais aussi de maintenir cette vitesse constante lorsque vous appuyez l'outil sur la pièce à polir.

La molette de réglage de la vitesse (1) peut être réglée entre 500 (niveau 1) et 3600 tr/min (niveau MAX).

**Bouton de verrouillage de la broche (Fig. B)**

**AVERTISSEMENT** : Pour réduire le risque de blessures physiques graves, arrêtez l'outil et débranchez-le du secteur avant de réaliser des réglages ou de démonter/installer des accessoires. Avant de rebrancher l'outil, appuyez sur la gâchette et relâchez-la pour vous assurer que l'outil est déjà hors tension.

Afin d'éviter que la broche de l'outil ne tourne pendant l'installation ou le retrait de l'assiette-support, la tête d'entraînement de l'outil est dotée d'un bouton de verrouillage de broche. Pour verrouiller la broche, abaissez et maintenez le bouton de verrouillage enfoncé. **N'APPUYEZ JAMAIS SUR LE BOUTON DE VERROUILLAGE DE LA BROCHE LORSQUE L'OUTIL EST UTILISÉ OU TOURNE EN ROUE LIBRE.**

**UTILISATION**

**AVERTISSEMENT** ! Pour réduire le risque de blessures physiques graves, arrêtez l'outil et débranchez-le du secteur avant de réaliser des réglages ou de démonter/installer des accessoires. Avant de rebrancher l'outil, appuyez sur la gâchette et relâchez-la pour vous assurer que l'outil est déjà hors tension.

**Montage et démontage des tampons de polissage (Fig. B)**

**AVERTISSEMENT** ! Afin de réduire le risque de blessures graves, ne permettez aucune partie lâche des tampons de polissage.

Installez l'assiette-support (2) sur la broche (9), en la vissant à la main alors que le bouton verrouillage de la broche (5) est enfoncé – tournez l'assiette dans le sens opposé de rotation.

Le SP137 peut utiliser des bonnets à Velcro et des bonnets avec cordons. Les bonnets à Velcro peuvent être attachés et détachés de l'assiette-support (2) directement, en veillant à bien centrer le bonnet sur l'assiette-support.

Si vous installez un tampon à cordons, assurez-vous qu'aucune partie du tampon n'est lâche et que les cordons ne tournent pas librement. Cachez ou coupez tout cordon lâche. Des cordons lâches ou en rotation peuvent saisir vos doigts ou s'accrocher à la pièce à polir.

**Polissage**

Ces instructions et suggestions visent à familiariser les nouveaux utilisateurs à l'utilisation générale d'une polisseuse électrique. Vous pourrez élaborer vos propres techniques facilitant et accélérant vos tâches de polissage alors que vous apprenez à vous servir de la polisseuse.

- Vous devez faire preuve de beaucoup de précautions lorsque vous utilisez la polisseuse autour ou sur des objets coupants et les contours d'une carrosserie de voiture. Il est très important d'utiliser la pression correcte lors du polissage des différentes parties d'une carrosserie. Par exemple, une légère pression devrait être appliquée lors du polissage des arêtes vives des panneaux de carrosserie, ou des bords des gouttières, le long de la partie supérieure.
- Comme chacun utilise un outil et des accessoires de polissage différents, nous vous recommandons de nettoyer et de polir une section d'essai sur une surface plane de la voiture. À l'aide de cette section d'essai, estimez la force ou l'action de nettoyage de votre polisseuse électrique.
- N'oubliez pas que des polisseuses et accessoires différents produisent un lustrage différent. Différentes marques agiront différemment sur diverses surfaces peintes. De plus, vous utilisez maintenant une polisseuse électrique à vitesse variable. Le résultat est tout à fait différent de n'importe quel polissage à la main que vous avez pu faire dans le passé. Lavez la voiture avant de passer la polisseuse. Le lavage éliminera les saletés, l'écume, le sel de voirie, etc. qui pourraient agir comme un abrasif et endommager la peinture. La



saleté, etc. va également obstruer le tampon de polissage et vous aurez à le nettoyer plus souvent.

- Sans tourner l'outil, saisissez les poignées de l'outil et soulevez-le. Maintenez l'outil éloigné de votre corps et appuyez sur la gâchette. Assurez-vous de tenir fermement les poignées et utilisez l'outil librement sans forcer ou exercer de pressions inutiles. La poignée latérale peut être facilement changée de côté selon que vous êtes droitier ou gaucher.

**REMARQUE** : La vitesse élevée de frottement du bonnet sur la surface d'une automobile peut générer une charge électrostatique sur les parties métalliques de l'outil. Vous pouvez ressentir une sensation de décharge électrique très légère et courte lorsque vous touchez la surface métallique de l'outil, sensation d'autant plus perceptible que l'humidité est faible. Il s'agit d'un phénomène inoffensif, mais nous vous invitons à apporter l'outil à un centre de réparations de STANLEY afin de le faire vérifier pour s'assurer qu'il ne présente aucune défaillance électrique.

## ENTRETIEN

Votre outil de STANLEY a été conçu pour fonctionner pendant une longue période avec un minimum d'entretien. Un fonctionnement continu satisfaisant de l'outil dépend d'un entretien soigneux et régulier.

- Nettoyez régulièrement les fentes d'aération de votre outil à l'aide d'une brosse douce et d'un chiffon sec.
- Nettoyez régulièrement le boîtier du moteur à l'aide d'un chiffon humide. N'utilisez pas d'agent nettoyant abrasif ou à base de solvant. Cet outil n'est pas réparable par l'utilisateur. Si des problèmes surviennent, consultez un agent de réparation agréé.



### Lubrification

Votre outil électrique ne nécessite aucune lubrification supplémentaire.



### Nettoyage



**AVERTISSEMENT** : Soufflez les saletés et la poussière qui pénètrent dans le cadre de l'outil avec de l'air sec dès que vous observez que de la saleté s'accumule à l'intérieur et autour des prises d'air. Portez des lunettes de protection et des masques anti-poussière approuvés lors de cette procédure.



**AVERTISSEMENT** : N'utilisez jamais de solvants ou autres produits chimiques corrosifs pour nettoyer les parties non métalliques de l'outil. Ces matériaux chimiques peuvent affaiblir les matériaux de ces parties. Utilisez uniquement un chiffon imbibé d'eau mélangée à un savon doux.

Ne laissez jamais couler un liquide à l'intérieur et ne plongez jamais une partie quelconque de l'outil dans l'eau. Pour maintenir la SÉCURITÉ et la FIABILITÉ des produits, toute réparation, toute inspection et tout remplacement des balais de charbon, et tout autre

entretien ou réglage doivent être effectués par un centre de réparations de STANLEY, en utilisant toujours des pièces de rechange d'origine de Stanley.

## ACCESSOIRES EN OPTION



**AVERTISSEMENT** : Puisque les accessoires autres que ceux qui sont offerts par STANLEY n'ont pas été testés avec ce produit, l'utilisation de tels accessoires avec cet outil pourrait être dangereuse. Pour réduire le risque de blessures, seuls les accessoires recommandés par STANLEY devraient être utilisés avec ce produit.

Consultez votre revendeur pour obtenir de plus amples informations sur les accessoires appropriés.

## PROTECTION DE L'ENVIRONNEMENT



Collecte séparée. Ce produit ne doit pas être jeté avec les ordures ménagères.

Si vous décidez de remplacer ce produit STANLEY, ou si vous n'en avez plus l'utilité, ne le jetez pas avec vos déchets domestiques. Mettez-le dans un point de collecte séparée approprié.



STANLEY met à votre disposition un centre de collecte et de recyclage pour les produits STANLEY ayant atteint la fin de leur durée de service. Pour profiter de ce service, veuillez retourner votre produit à un agent de réparation agréé qui se chargera de la collecte.

Vous pouvez trouver l'agent de service agréé le plus proche en contactant votre agence STANLEY locale à l'adresse indiquée dans ce manuel. Autrement, une liste d'agents de réparation agréés STANLEY et des informations complètes concernant notre service après-vente, y compris les coordonnées, sont disponibles en ligne à l'adresse suivante : [www.2helpU.com](http://www.2helpU.com).

## REMARQUES

STANLEY mène une politique d'amélioration continue de ses produits et se réserve, de ce fait, le droit d'en modifier les caractéristiques sans préavis. Les accessoires ou équipements peuvent varier selon le pays. Les spécifications du produit peuvent varier selon le pays. La gamme complète du produit peut ne pas être disponible dans tous les pays. Contactez votre revendeur STANLEY local concernant la disponibilité de la gamme.

## INFORMATION CONCERNANT LE CENTRE DE SERVICE

STANLEY offre un réseau complet de centres de service agréés. Tous les centres de services STANLEY disposent d'un personnel formé afin de fournir un service efficace et de confiance aux clients concernant les outils électriques. Si vous désirez plus d'informations sur les centres de service agréés, ou si vous avez besoin d'informations techniques, de réparation ou de pièce authentique d'usine, contactez le centre STANLEY le plus proche de chez vous.

## CARACTÉRISTIQUES TECHNIQUES

POLISSEUSE		SP137
Tension	$V_{CA}$	De 220 à 240 environ
Fréquence	Hz	50-60
Alimentation électrique	W	1300
Vitesse nominale	$\text{min}^{-1}$	500-3600
Diamètre du patin	mm	180
Taille de la broche		M14
Poignée auxiliaire		Poignée en D
Poids	kg	3,2

## GARANTIE DE DEUX ANS

Si un produit STANLEY s'avère défectueux en raison de matériaux en mauvais état ou d'une erreur humaine dans les 24 mois suivant la date d'achat, STANLEY garantit le remplacement gratuit de toutes les pièces défectueuses ou, à votre discrétion, le remplacement gratuit de l'unité si :

- Le produit a été correctement utilisé et a été utilisé en respectant les instructions du manuel ;
- L'usure du produit est normale ;
- Aucune réparation n'a été tentée par des personnes non autorisées ;
- Une preuve d'achat est donnée ;
- Le produit STANLEY est réexpédié avec tous les composants d'origine ;
- Le produit n'a pas été loué.

Si vous souhaitez faire une réclamation, contactez votre vendeur ou vérifiez l'emplacement de l'agent de réparation agréé STANLEY le plus proche

dans votre catalogue STANLEY ou contactez votre bureau local STANLEY à l'adresse indiquée dans ce manuel. Une liste d'agents de réparation agréés STANLEY et des informations complètes concernant notre service après-vente sont disponibles en ligne à l'adresse suivante : [www.2helpU.com](http://www.2helpU.com).

**НАЗНАЧЕНИЕ**

Ваша полировальная машина STANLEY SP137 предназначена для профессиональных работ по отделке автомобилей и полировке поверхностей из различных материалов. Не используйте инструмент во влажных условиях или при наличии в окружающем пространстве легко воспламеняющихся жидкостей или газов. Данный инструмент предназначен для профессионального использования.

**ИНСТРУКЦИИ ПО ТЕХНИКЕ БЕЗОПАСНОСТИ**

Следующие определения указывают на степень важности каждого сигнального слова. Прочтите руководство по эксплуатации и обратитесь внимание на данные символы.



**ОПАСНО:** Означает чрезвычайно опасную ситуацию, которая приводит к смертельному исходу или получению тяжёлой травмы.



**ВНИМАНИЕ:** Означает потенциально опасную ситуацию, которая может привести к смертельному исходу или получению тяжёлой травмы.



**ПРЕДУПРЕЖДЕНИЕ:** Означает потенциально опасную ситуацию, которая может привести к получению травмы лёгкой или средней тяжести.

**ПРЕДОСТЕРЕЖЕНИЕ:** Означает ситуацию, не связанную с получением телесной травмы, которая, однако, может привести к повреждению инструмента.



**Риск поражения электрическим током!**



**Огнеопасность!**



**ВНИМАНИЕ:** Внимательно прочтите руководство по эксплуатации для снижения риска получения травмы.

**ПРАВИЛА БЕЗОПАСНОСТИ**

**Общие правила безопасности при работе с электроинструментами**



**ВНИМАНИЕ!** Внимательно прочтите все инструкции по использованию, правила безопасности, спецификации, а также рассмотрите все иллюстрации, входящие в руководство по эксплуатации данного электроинструмента. Несоблюдение всех перечисленных ниже инструкций может привести к поражению электрическим током, возникновению пожара и/или получению серьёзной травмы.

Сохраните все инструкции по безопасности и руководство по эксплуатации для их дальнейшего использования. Термин «Электроинструмент» во всех приведённых ниже указаниях относится к вашему сетевому (с кабелем) или аккумуляторному (беспроводному) электроинструменту.

**1. Безопасность рабочего места**

- Содержите рабочее место в чистоте и обеспечьте хорошее освещение.** Плохое освещение или беспорядок на рабочем месте может привести к несчастному случаю.
- Не используйте электроинструменты, если есть опасность возгорания или взрыва, например, вблизи легко воспламеняющихся жидкостей, газов или пыли.** В процессе работы электроинструменты создают искровые разряды, которые могут воспалить пыль или горючие пары.
- Во время работы с электроинструментом не подпускайте близко детей или посторонних лиц.** Отвлечение внимания может вызвать у Вас потерю контроля над рабочим процессом.

**2. Электробезопасность**

- Вилка кабеля электроинструмента должна соответствовать штепсельной розетке.** Ни в коем случае не видоизменяйте вилку электрического кабеля. Не используйте соединительные штепсели-переходники, если в силовом кабеле электроинструмента есть провод заземления. Использование оригинальной вилки кабеля и соответствующей ей штепсельной розетки уменьшает риск поражения электрическим током.
- Во время работы с электроинструментом избегайте физического контакта с заземлёнными объектами, такими как трубопроводы, радиаторы отопления, электроплиты и холодильники.** Риск поражения электрическим током увеличивается, если Ваше тело заземлено.
- Не используйте электроинструмент под дождём или во влажной среде.** Попадание воды в электроинструмент увеличивает риск поражения электрическим током.
- Бережно обращайтесь с электрическим кабелем.** Ни в коем случае не используйте кабель для переноски электроинструмента или для вытягивания его вилки из штепсельной розетки. Не подвергайте электрический кабель воздействию высоких температур и смазочных веществ; держите его в стороне от острых кромок и движущихся частей электроинструмента. Повреждённый или запутанный кабель увеличивает риск поражения электрическим током.
- При работе с электроинструментом на открытом воздухе используйте удлинительный кабель, предназначенный для наружных работ.** Использование кабеля, пригодного для работы на открытом воздухе, снижает риск поражения электрическим током.
- При необходимости работы с электроинструментом во влажной среде используйте источник питания, оборудованный устройством защитного отключения (УЗО).** Использование УЗО снижает риск поражения электрическим током.

### 3. Личная безопасность

- a. При работе с электроинструментами будьте внимательны, следите за тем, что Вы делаете, и руководствуйтесь здравым смыслом. Не используйте электроинструмент, если Вы устали, а также находясь под действием алкоголя или понижающих реакцию лекарственных препаратов и других средств. Малейшая неосторожность при работе с электроинструментами может привести к серьёзной травме.
- b. При работе используйте средства индивидуальной защиты. Всегда надевайте защитные очки. Своевременное использование защитного снаряжения, а именно: пылезащитной маски, ботинок на нескользящей подошве, защитного шлема или противозумовых наушников, значительно снижает риск получения травмы.
- c. Не допускайте непреднамеренного запуска. Перед тем, как подключить электроинструмент к сети и/или аккумулятор, поднять или перенести его, убедитесь, что выключатель находится в положении «выключено». Не переносите электроинструмент с нажатым курковым выключателем и не подключайте к сетевой розетке электроинструмент, выключатель которого установлен в положение «включено», это может привести к несчастному случаю.
- d. Перед включением электроинструмента снимите с него все регулировочные или гаечные ключи. Регулировочный или гаечный ключ, оставленный закреплённым на вращающейся части электроинструмента, может стать причиной получения тяжёлой травмы.
- e. Работайте в устойчивой позе. Всегда твёрдо стойте на ногах, сохраняя равновесие. Это позволит Вам не потерять контроль при работе электроинструментом в непредвиденной ситуации.
- f. Одевайтесь соответствующим образом. Во время работы не надевайте свободную одежду или украшения. Следите за тем, чтобы Ваши волосы или одежда находились в постоянном отдалении от движущихся частей инструмента. Свободная одежда, украшения или длинные волосы могут попасть в движущиеся части инструмента.
- g. Если электроинструмент снабжён устройством сбора и удаления пыли, убедитесь, что данное устройство подключено и используется надлежащим образом. Использование устройства пылеудаления значительно снижает риск возникновения несчастного случая, связанного с запылённостью рабочего пространства.
- h. Даже если Вы являетесь опытным пользователем и часто используете подобные инструменты, не позволяйте себе расслабляться и игнорировать правила безопасности при использовании инструментов. Неосторожность и невнимательность при работе могут привести к тяжёлым травмам за доли секунды.

### 4. Использование электроинструментов и технический уход

- a. Не перегружайте электроинструмент. Используйте Ваш инструмент по назначению. Электроинструмент работает надёжно и безопасно только при соблюдении параметров, указанных в его технических характеристиках.
  - b. Не используйте электроинструмент, если его выключатель не устанавливается в положение включения или выключения. Электроинструмент с неисправным выключателем представляет опасность и подлежит ремонту.
  - c. Отключайте электроинструмент от сетевой розетки и/или извлекайте аккумулятор (если имеется) перед регулировкой, заменой принадлежностей или при хранении электроинструмента. Такие меры предосторожности снижают риск случайного включения электроинструмента.
  - d. Храните неиспользуемые электроинструменты в недоступном для детей месте и не позволяйте лицам, не знакомым с электроинструментом или данными инструкциями, работать с электроинструментом. Электроинструменты представляют опасность в руках неопытных пользователей.
  - e. Регулярно проверяйте исправность электроинструмента и дополнительных принадлежностей. Проверяйте точность совмещения и легкость перемещения подвижных частей, целостность деталей и любых других элементов электроинструмента, воздействующих на его работу. Не используйте неисправный электроинструмент, пока он не будет полностью отремонтирован. Большинство несчастных случаев являются следствием недостаточного технического ухода за электроинструментом.
  - f. Следите за остротой заточки и чистотой режущих принадлежностей. Принадлежности с острыми кромками позволяют избежать заклинивания и делают работу менее утомительной.
  - g. Используйте электроинструмент, аксессуары и насадки в соответствии с данным Руководством по эксплуатации и с учётом рабочих условий и характера будущей работы. Использование электроинструмента не по назначению может создать опасную ситуацию.
  - h. Следите, чтобы рукоятки и поверхности захвата оставались сухими, чистыми и не содержали следов масла и консистентной смазки. Скользкие рукоятки и поверхности захвата не обеспечивают безопасное обращение и управление инструментом в неожиданных ситуациях.
- ### 5. Техническое обслуживание
- a. Ремонт Вашего электроинструмента должен производиться только квалифицированными специалистами с

использованием идентичных запасных частей. Это обеспечит безопасность Вашего электроинструмента в дальнейшей эксплуатации.

## МЕРЫ БЕЗОПАСНОСТИ ПРИ ВЫПОЛНЕНИИ ВСЕХ ОПЕРАЦИЙ

**Общие правила безопасности при работе полировальными машинами**

- a. **Данный электроинструмент предназначен для полировки. Внимательно прочтите все инструкции по использованию, правила безопасности, спецификации, а также рассмотрите все иллюстрации, входящие в руководство по эксплуатации данного электроинструмента.** Несоблюдение всех перечисленных ниже инструкций может привести к поражению электрическим током, возникновению пожара и/или получению серьёзной травмы.
- b. **Не рекомендуется выполнение данным инструментом работ по шлифованию, зачистке, очистке металлической щёткой и резке.** Использование инструмента не по назначению может привести к повреждению инструмента и получению телесной травмы.
- c. **Не используйте дополнительные принадлежности и насадки, специально не разработанные и не рекомендованные производителем инструмента.** Возможность установки принадлежностей и насадок на электроинструмент не обеспечивает безопасности при его использовании.
- d. **Номинальная скорость вращения насадок должна соответствовать скорости, указанной на электроинструменте.** Насадки при вращении на скорости, превышающей их номинальную скорость, могут разрушиться и сорваться с крепления.
- e. **Внешний диаметр и толщина насадки должны соответствовать диапазону мощности вашего электроинструмента.** Насадка неправильного размера не закрывается надлежащим образом защитным кожухом и не обеспечивает контроля при управлении инструментом.
- f. **Монтажная резьба насадок должна соответствовать резьбе шпинделя шлифмашины.** Для насадок, устанавливаемых на фланцы: **посадочное отверстие насадки должно соответствовать установочному диаметру фланца.** Насадки, не соответствующие крепёжным деталям электроинструмента, могут стать причиной разбалансированности, повышенной вибрации и потери контроля над электроинструментом.
- g. **Не используйте повреждённые насадки. Перед каждым использованием проверяйте абразивные диски на наличие сколов и трещин, диски-подшвы - на наличие надрывов и трещин, проволочные щётки - на наличие ослабленной или сломанной проволоки.** В случае падения электроинструмента или насадки проверьте их на наличие повреждений или установите неповреждённую насадку. После проверки и установки насадки отведите электроинструмент от себя и посторонних лиц в сторону и запустите его на максимальной скорости без нагрузки в течение одной минуты. Повреждённые насадки отлетят в сторону в течение данного тестового периода.
- h. **Используйте средства индивидуальной защиты.** В зависимости от типа выполняемых работ надевайте щиток для защиты лица, защитную маску или защитные очки. В соответствии с необходимостью надевайте респиратор, защитные наушники, перчатки и рабочий фартук, способный защитить от отлетающих мелких абразивных частиц и фрагментов обрабатываемой детали. Средства защиты для глаз должны останавливать частицы, вылетающие при выполнении различных видов работ. Противопылевая маска или респиратор должны обеспечивать фильтрацию твёрдых частиц, образующихся в ходе работ. Длительное воздействие шума высокой интенсивности может привести к нарушениям слуха.
- i. **Не подпускайте посторонних лиц близко к рабочей зоне.** Любое лицо, входящее в рабочую зону, должно использовать средства индивидуальной защиты. Отлетающие фрагменты обрабатываемой детали или разрушенной насадки могут стать причиной получения травмы даже за пределами рабочей зоны.
- j. **Держите электроинструмент только за изолированные поверхности при выполнении работ, во время которых режущая принадлежность может задеть скрытую проводку или кабель подключения к электросети.** При контакте с находящимся под напряжением проводом, на неизолированных металлических частях инструмента также появляется напряжение, что приводит к поражению электрическим током.
- k. **Располагайте кабель подключения к электросети на удалении от вращающейся насадки.** В случае потери контроля кабель может быть разрезан или защемлён, а Ваша рука может быть затянута вращающейся насадкой.
- l. **Никогда не кладите электроинструмент, пока насадка полностью не остановится.** Вращающаяся насадка может задеть за поверхность, и электроинструмент вырвется из ваших рук.
- m. **Не включайте электроинструмент, если насадка направлена на вас.** Случайный

контакт с вращающейся насадкой может привести к захвату насадкой вашей одежды и получению телесной травмы.

- p. **Регулярно очищайте вентиляционные отверстия электроинструмента.** Вентилятор электродвигателя затягивает пыль внутрь корпуса, а скопление большого количества пыли на металле электродвигателя повышает риск поражения электрическим током.
- o. **Не используйте электроинструмент вблизи с пожароопасными материалами.** Искровые разряды могут привести к их воспламенению.
- p. **Не используйте насадки, требующие жидкостного охлаждения.** Использование воды или других жидких охлаждающих средств может привести к поражению электрическим током вплоть до смертельного исхода.

### ДОПОЛНИТЕЛЬНЫЕ МЕРЫ БЕЗОПАСНОСТИ ПРИ ВЫПОЛНЕНИИ ВСЕХ ОПЕРАЦИЙ

#### Причины обратного удара и меры по его предотвращению

Обратный удар является внезапной реакцией на защемление или застревание вращающегося диска, диска-подшвы, щётки или какой-либо другой насадки. Защемление или застревание могут стать причиной мгновенной остановки вращающейся насадки, что в свою очередь приводит к потере контроля над электроинструментом и его внезапному отбрасыванию назад в направлении, противоположном вращению насадки.

Например, если абразивный диск был защёмлён или застрял в заготовке, край диска в момент защемления может врезаться в поверхность заготовки, в результате чего диск поднимается или отскакивает назад. В зависимости от направления движения диска в момент защемления, диск может резко подняться в сторону или от оператора. В этот момент абразивные диски могут также сломаться.

Обратный удар является результатом использования инструмента не по назначению и/или неправильных действий оператора и условий работы, и его можно избежать, соблюдая следующие меры безопасности:

- a. **Крепко удерживайте электроинструмент и следите за положением тела и рук, чтобы эффективно противостоять воздействию обратного удара. Для максимального контроля силы обратного удара или реакции от крутящего момента всегда используйте вспомогательную рукоятку, если она предусмотрена.** При соблюдении соответствующих мер предосторожности оператор может контролировать силу обратного удара и реакцию от крутящего момента.

- b. **Никогда не держите руки вблизи от вращающейся насадки.** При обратном ударе насадка может поранить ваши руки.
- c. **Не стойте в зоне действия обратного удара электроинструмента.** В момент заклинивания сила обратного удара отбросит инструмент в направлении, обратном движению диска.
- d. **Будьте особенно осторожны при обрабатывании углов, острых кромок и пр. Избегайте отскакивания и заклинивания насадки.** Именно при обработке углов, острых кромок или при отскакивании высока вероятность заклинивания вращающейся насадки, что может послужить причиной потери контроля над инструментом или образования обратного удара.
- e. **Не устанавливайте на инструмент диск для резьбы по дереву или зубчатый пильный диск.** Данные диски увеличивают вероятность возникновения обратного удара и потери контроля над инструментом.

### ДОПОЛНИТЕЛЬНЫЕ ПРАВИЛА БЕЗОПАСНОСТИ ПРИ ВЫПОЛНЕНИИ ОПЕРАЦИИ ПО ПОЛИРОВКЕ

#### Специальные меры безопасности при полировке

- a. **Следите за тем, чтобы полировальная насадка была плотно установлена на подшве, а концы завязок были убраны. Уберите или отрежьте все выступающие концы завязок.** Свободно свисающие и вращающиеся завязки могут запутать Ваши пальцы или застрять в обрабатываемой заготовке.
- b. **При нанесении смазочного масла и при смене насадок следуйте инструкциям в данном руководстве по эксплуатации.**
- c. **Рукоятка должна оставаться чистой, сухой и без следов смазки.**

### ДОПОЛНИТЕЛЬНЫЕ СПЕЦИАЛЬНЫЕ ПРАВИЛА БЕЗОПАСНОСТИ



**ВНИМАНИЕ!** Правила безопасности при работе с полировальными машинами

- a. **Всегда надевайте защитные очки.** Все операторы и посторонние лица должны надевать защитные очки, соответствующие ANSI Z87.1.
- b. **Часто очищайте инструмент, особенно после интенсивного использования.** На внутренних поверхностях часто собирается содержащая металлические частицы пыль, повышая риск поражения электрическим током.
- c. **Не допускается непрерывная работа данным электроинструментом в течение длительного периода времени.** Вибрация, возникающая во время использования инструмента, может привести к неизлечимым травмам пальцев и рук. Используйте перчатки для лучшей антивибрационной

защиты, устраивайте частые перерывы в работе и ограничьте время работы инструмента.

- d. **Движущиеся части часто скрываются за вентиляционными прорезями; избегайте контакта с ними.** Свободная одежда, украшения или длинные волосы могут попасть в движущиеся части инструмента.



**ВНИМАНИЕ:** ВСЕГДА работайте в защитных очках. Повседневные очки НЕ ЯВЛЯЮТСЯ защитными очками. Если во время работы вырабатывается много пыли, надевайте защитную маску или респиратор. ВСЕГДА ИСПОЛЬЗУЙТЕ СРЕДСТВА ЗАЩИТЫ УТВЕРЖДЁННОГО ТИПА.



**ВНИМАНИЕ:** Во время работы всегда используйте защитные наушники, соответствующие ANSI S12.6 (S3.19). При некоторых условиях и продолжительности использования, шум, производимый данным инструментом, может способствовать потере слуха.



**ВНИМАНИЕ:** При использовании данного инструмента может образовываться и/или рассеиваться пыль, способная привести к серьёзным и хроническим заболеваниям дыхательных путей или другим травмам. Всегда используйте пылезащитный респиратор, одобренный NIOSH (Национальный институт по охране труда и промышленной гигиене США)/OSHA (Федеральное Агентство по Охране Труда и Здоровья США). Следите за тем, чтобы лицо и тело было в стороне от линии выброса пыли.



**ПРЕДУПРЕЖДЕНИЕ:** Будьте особенно внимательны при работе в углах - при контакте насадки или другой принадлежности со вторичной поверхностью или краем поверхности полировальная машина может резко отскочить.

#### Дополнительные инструкции по безопасности



**ВНИМАНИЕ:** Рекомендуется использование устройства защитного отключения с остаточным током 30 мА или менее.

#### БЕЗОПАСНОСТЬ ПОСТОРОННИХ ЛИЦ

- Данное изделие не может использоваться людьми (включая детей) со сниженными физическими, сенсорными и умственными способностями или при отсутствии необходимого опыта или навыка, за исключением, если они выполняют работу под присмотром лица, отвечающего за их безопасность.
- Не позволяйте детям играть с инструментом.

#### ОСТАТОЧНЫЕ РИСКИ

Несмотря на соблюдение соответствующих инструкций по технике безопасности и использование предохранительных устройств, некоторые остаточные риски невозможно полностью исключить. К ним относятся:

- Ухудшение слуха
- Риск получения травмы от разлетающихся частиц.
- Риск получения ожогов от принадлежностей и насадок, которые в процессе работы сильно нагреваются.
- Риск получения травмы, связанный с продолжительным использованием инструмента.
- Риск вдыхания пыли от опасных для здоровья веществ.

#### ЭЛЕКТРОБЕЗОПАСНОСТЬ



Данный инструмент защищён двойной изоляцией, что исключает потребность в заземляющем проводе.

Всегда проверяйте, соответствует ли напряжение, указанное на табличке с техническими параметрами, напряжению электросети.



**ВНИМАНИЕ!** Во избежание поврежденной или получения травмы, замена повреждённого кабеля питания должна производиться только на заводе-изготовителе, в авторизованном сервисном центре STANLEY или квалифицированным персоналом.

При замене кабеля питания квалифицированным лицом, но не имеющим авторизацию STANLEY, гарантия на продукт будет недействительной.

#### ИСПОЛЬЗОВАНИЕ УДЛИНИТЕЛЬНОГО КАБЕЛЯ

При необходимости использования удлинительного кабеля, используйте только утверждённые 3-х жильные кабели промышленного изготовления, рассчитанные на мощность не меньшую, чем потребляемая мощность данного инструмента (см. раздел «Технические характеристики»). Минимальный размер проводника должен составлять 1,5 мм<sup>2</sup>; максимальная длина кабеля не должна превышать 30 м. При использовании кабельного барабана, всегда полностью разматывайте кабель.

Поперечное сечение проводника (мм <sup>2</sup> ) Номинал кабеля (Ампер)	Поперечное сечение проводника (мм <sup>2</sup> ) Номинал кабеля (Ампер)
0.75	6
1.00	10
1.50	15
2.50	20
4.00	25

Длина кабеля (м)						
	7.5	15	25	30	45	60

Напряжение	Ампер	Номинал кабеля (Ампер)					
110-127	0 - 2.0	6	6	6	6	6	10
	2.1 - 3.4	6	6	6	6	15	15
	3.5 - 5.0	6	6	10	15	20	20
	5.1 - 7.0	10	10	15	20	20	25
	7.1 - 12.0	15	15	20	25	25	-
12.1 - 20.0	12.1 - 20.0	20	20	25	-	-	-
	0 - 2.0	6	6	6	6	6	6
	2.1 - 3.4	6	6	6	6	6	6
	3.5 - 5.0	6	6	6	6	10	15
	5.1 - 7.0	10	10	10	10	15	15
7.1 - 12.0	7.1 - 12.0	15	15	15	15	20	20
	12.1 - 20.0	20	20	20	20	25	-

### Место положения кода даты

Код даты, который также включает в себя год изготовления, отштампован на поверхности корпуса инструмента.

Пример:

2017 XX JN  
Год изготовления

### В УПАКОВКУ ВХОДЯТ:

- 1 Полировальная машина
  - 1 Подошва с липучкой
  - 1 Шерстяной полировальный колпак на липучке
  - 1 Руководство по эксплуатации
  - 1 Гарантийный талон
- Проверьте инструмент, детали и дополнительные приспособления на наличие повреждений, которые могли произойти во время транспортировки.
  - Перед началом работы необходимо внимательно прочитать настоящее руководство и принять к сведению содержащуюся в нём информацию.

### МАРКИРОВКА ИНСТРУМЕНТА

На инструменте имеются следующие знаки:

	<b>ВНИМАНИЕ!</b> Полное ознакомление с руководством по эксплуатации перед использованием инструмента снизит риск получения травмы.		
	Надевайте защитные очки или маску.		
	Используйте средства защиты органов слуха.		
	Надевайте защитную маску или респиратор.		
V	Вольт		Постоянный ток
A	Ампер	$n_0$	Скорость без нагрузки
Hz	Герц		Конструкция Класса II
W	Ватт		Клемма заземления
min	минут		Символ опасности
	Переменный ток	/min.	Кол-во оборотов или шагов в минуту

### ОПИСАНИЕ (Рис. А)



**ВНИМАНИЕ:** Ни в коем случае не модифицируйте электроинструмент или какую-либо его деталь. Это может привести к получению травмы или повреждению инструмента.

1. Дискосовый переключатель скоростей
2. Подошва с липучкой
3. Курковый пусковой выключатель
4. Крышка щёткодержателя
5. Кнопка блокировки шпинделя
6. Кнопка блокировки пускового выключателя
7. D-рукоятка
8. Полировальный колпак на липучке
9. Шпиндель

### СБОРКА



**ВНИМАНИЕ:** Для снижения риска получения тяжёлой травмы, перед регулировкой или снятием/установкой дополнительных принадлежностей или насадок выключайте инструмент и отсоединяйте его от электросети. Перед повторным подключением инструмента нажмите и отпустите курковый выключатель, чтобы убедиться, что инструмент действительно выключен. Непреднамеренный запуск инструмента может привести к получению травмы.

### Дискосовый переключатель скоростей (Рис. А)

Максимальная скорость вашего инструмента может меняться путём поворачивания дискосового переключателя скоростей (1) на



нужную позицию. Дисксовой переключатель оборудован встроенными стопперами, предотвращающими непреднамеренное вращение дискового переключателя и облегчающими процесс выбора скорости. Для большей универсальности пусковой выключатель может быть заблокирован в полностью включённом положении, и скорость инструмента может быть изменена только с помощью дискового переключателя скоростей (1).

Электронное управление скоростью не только позволяет выбрать скорость в соответствии с заданием, но также помогает поддерживать постоянную скорость при нахождении инструмента под нагрузкой и прижатым к обрабатываемой поверхности.

Дисксовой переключатель скоростей (1) помогает установить любую скорость от 500 до 3600 об/мин. от 1 уровня до МАКС. уровня.

#### Кнопка блокировки шпинделя (Рис. В)



**ВНИМАНИЕ:** Для снижения риска получения тяжёлой травмы, перед регулировкой или снятием/установкой дополнительных принадлежностей или насадок выключайте инструмент и отсоединяйте его от электросети. Перед повторным подключением инструмента нажмите и отпустите курковый выключатель, чтобы убедиться, что инструмент действительно выключен. Для предотвращения вращения шпинделя во время установки или снятия подошвы в верхней части коробки редуктора предусмотрена кнопка блокировки шпинделя. Чтобы заблокировать шпиндель, нажмите и удерживайте нажатой кнопку блокировки шпинделя. НИКОГДА НЕ НАЖИМАЙТЕ НА КНОПКУ БЛОКИРОВКИ ШПИНДЕЛЯ, ЕСЛИ ИНСТРУМЕНТ РАБОТАЕТ ИЛИ НАХОДИТСЯ ПОД НАПРЯЖЕНИЕМ.

### ЭКСПЛУАТАЦИЯ



**ВНИМАНИЕ!** Для снижения риска получения тяжёлой травмы, перед регулировкой или снятием/установкой дополнительных принадлежностей или насадок выключайте инструмент и отсоединяйте его от электросети. Перед повторным подключением инструмента нажмите и отпустите курковый выключатель, чтобы убедиться, что инструмент действительно выключен.

#### Крепление и снятие полировальных подошв (Рис. В)



**ВНИМАНИЕ!** Для снижения риска получения тяжёлой травмы, не допускайте, чтобы какая-либо часть полировальной подошвы оставалась незакреплённой.

Установите подошву (2) на шпindel (9) и затяните её вручную, удерживая нажатой кнопку блокировки шпинделя (5). Поверните подошву в противоположную сторону.

С SP137 могут использоваться полировальные колпаки на липучке или с завязками. Полировальный колпак на липучке может быть установлен непосредственно на подошву (2); следите, чтобы колпак располагался точно по центру подошвы.

Если предполагается использование полировального колпака на завязках, убедитесь, что никакая часть колпака не осталась незакреплённой и ни одна завязка не закручивается. Уберите или отрежьте все выступающие концы завязок. Свободно свисающие и вращающиеся завязки могут запутать ваши пальцы или застрять в обрабатываемой заготовке.

#### Полировка

Данные инструкции и пожелания предназначены для ознакомления новых операторов с общими операциями с использованием электрической полировальной машины. После освоения полировки электрическим инструментом у вас появятся собственные методы, которые значительно облегчат и ускорят работу.

- Вы должны быть предельно осторожны при полировке вокруг или над острыми предметами и контурами кузова автомобиля. Очень важно использовать правильное давление при полировке различных частей кузова автомобиля. Например, при полировке острых краёв панелей кузова или краёв водосточного желоба вдоль верхней части кузова следует применять лёгкое давление.
- Поскольку каждый использует различный тип электрических полировальных машин, мы рекомендуем сначала очистить и отполировать пробный участок на ровной поверхности автомобиля. По этому пробному участку вы сможете судить о мощности или чистящей способности вашей полировальной машины.
- Помните, все электрические полировальные машины разные. Различные бренды могут по-разному реагировать на различные окрашенные поверхности. Кроме того, теперь вы используете полировальную машину с регулировкой скорости. Работа такой машиной полностью отличается от всех операций, которые, возможно, вы выполняли раньше. Перед полировкой вымойте автомобиль. Мойка удалит грязь, накипь, дорожную соль и пр., которые при полировке могут оказаться абразивами и повредить краску. Также оставшаяся грязь забьёт полировальную подошву, и вам придётся чаще её чистить.
- Не включая инструмент, обхватите обе рукоятки и поднимите инструмент. Держа инструмент в стороне от тела, нажмите на

курковый пусковой выключатель. Убедитесь, что вы крепко держитесь за рукоятки и свободно управляете инструментом без принудительного усилия или ненужного давления. Боковая рукоятка может быть легко переустановлена с любой стороны инструмента для пользователей с рабочей левой или правой рукой.

**ПРИМЕЧАНИЕ:** Высокоскоростное трение полирующего колпака по поверхности автомобиля может создавать статический заряд на металлических частях инструмента. Это может привести к ощущению очень короткого и слабого электрического удара при прикосновении к металлической поверхности инструмента, и оно будет более заметным в дни, когда влажность низкая. Это безвредное явление, но мы предлагаем вам отнести инструмент в сервисный центр STANLEY, где его можно проверить, чтобы убедиться в отсутствии электрических неисправностей.

### ТЕХНИЧЕСКОЕ ОБСЛУЖИВАНИЕ

Ваш электроинструмент STANLEY рассчитан на работу в течение продолжительного времени при минимальном техническом обслуживании. Срок службы и надёжность инструмента увеличивается при правильном уходе и регулярной чистке.

- Регулярно очищайте вентиляционные отверстия вашего инструмента мягкой щёткой или сухой тканью.
- Регулярно очищайте корпус двигателя влажной тканью. Не используйте абразивные чистящие средства, а также чистящие средства на основе растворителей. Данный инструмент не обслуживается пользователем. В случае возникновения проблем до истечения указанного срока, обращайтесь в авторизованный сервисный центр.



#### Смазка

Ваш электроинструмент не требует дополнительной смазки.



#### Чистка



**ВНИМАНИЕ:** Выдувайте грязь и пыль из корпуса сухим сжатым воздухом по мере видимого скопления грязи внутри и вокруг вентиляционных отверстий. Выполняйте данную процедуру, надев средство защиты глаз и респиратор утверждённого типа.



**ВНИМАНИЕ:** Никогда не используйте растворители или другие агрессивные химические средства для очистки неметаллических деталей инструмента. Эти химикаты могут ухудшить свойства материалов, применённых в данных деталях.

Используйте ткань, смоченную в воде с мягким мылом. Не допускайте попадания какой-либо жидкости внутрь инструмента; ни в коем случае не погружайте какую-либо часть инструмента в жидкость. В целях обеспечения БЕЗОПАСНОСТИ и ДОЛГОВЕЧНОСТИ в использовании продукта ремонт, осмотр угольных щёток, замена деталей и прочее техническое обслуживание и регулировка должны производиться только в авторизованных сервисных центрах STANLEY и только с использованием идентичных запасных частей Stanley.

### ПРИНАДЛЕЖНОСТИ



**ВНИМАНИЕ:** Поскольку принадлежности, отличные от тех, которые предлагает STANLEY, не проходили тесты на данном изделии, то использование этих принадлежностей может привести к опасной ситуации. Во избежание риска получения травмы, с данным продуктом должны использоваться только дополнительные принадлежности, рекомендованные STANLEY.

По вопросу приобретения дополнительных принадлежностей обращайтесь к вашему продавцу.

### ЗАЩИТА ОКРУЖАЮЩЕЙ СРЕДЫ



Раздельный сбор. Данное изделие нельзя утилизировать вместе с обычными бытовыми отходами.

Если однажды вы захотите заменить ваше изделие STANLEY или вы больше в нём не нуждаетесь, не выбрасывайте его вместе с бытовыми отходами. Отнесите изделие в специальный приёмный пункт.



Фирма STANLEY обеспечивает приём и переработку отслуживших свой срок изделий STANLEY. Чтобы воспользоваться этой услугой, вы можете сдать ваше изделие в любой авторизованный сервисный центр, который собирает их по нашему поручению.

Вы можете узнать место нахождения вашего ближайшего авторизованного сервисного центра, обратившись в ваш местный офис STANLEY по адресу, указанному в данном руководстве по эксплуатации. Кроме того, список авторизованных сервисных центров STANLEY и полную информацию о нашем послепродажном обслуживании и контактах Вы можете найти в интернете по адресу: [www.2helpU.com](http://www.2helpU.com).

### ПРИМЕЧАНИЯ

Политика STANLEY нацелена на постоянное усовершенствование нашей продукции, поэтому фирма оставляет за собой право изменять технические характеристики изделий без предварительного уведомления. Стандартное оборудование и дополнительные принадлежности могут меняться в зависимости от страны продаж. Технические характеристики продуктов могут различаться в зависимости от страны продаж.

Полная линия продуктов присутствует на рынках не всех стран. Для получения информации касательно линии продуктов в вашей стране обратитесь в ближайший сервисный центр STANLEY

### ИНФОРМАЦИЯ ПО ТЕХНИЧЕСКОМУ ОБСЛУЖИВАНИЮ

STANLEY имеет обширную сеть принадлежащих компании и авторизованных сервисных центров. В целях предоставления клиентам эффективного и надёжного технического обслуживания электроинструментов во всех сервисных центрах STANLEY работает обученный персонал. За дополнительной информацией о наших авторизованных сервисных центрах, а также, если вы нуждаетесь в технической консультации, ремонте или покупке оригинальных запасных частей, обратитесь в ближайший к вам сервисный центр STANLEY.

### ТЕХНИЧЕСКИЕ ХАРАКТЕРИСТИКИ

ПОЛИРОВАЛЬНАЯ МАШИНА		SP137
Напряжение	V <sub>перем.</sub> тока	220~240
Частота	Гц	50-60
Потребляемая мощность	Вт	1300
Число ходов под нагрузкой	ход/ мин.	500-3600
Диаметр подошвы	мм	180
Размер шпинделя		M14
Дополнительная рукоятка		D handle
Вес	кг	3,2



**Приложение к руководству по эксплуатации электроинструмента**  
**Машины шлифовальные:**

**151ST+  
187ST**

Модели: STGS6100\*-, STGS7115\*-, STGS9115\*-, STGS9125\*-, STGS1125\*-, STGL2223\*-, STGL2123\*-, STGL2023\*-, STGL2218\*-, STGL2018\*-, STGS9100\*-, STGS5100\*-, STGS5115\*-, STGS7100\*-, STGS5800\*-, STGS5815\*-, STGS58100\*-, STGS8115\*-, STGD5006\*-, STGP1318\*-, STSS025\*-, FME440\*-, FMEG230\*-, FMEG825\*-, FMEG725\*-, FME811K\*-, FME811\*-, FME841K\*-, FMEK890\*-, где \*- не более 5 символов (буква от «А» до «Z» и/или цифра от 0 до 9, знак дефис или их отсутствие)

СЕРТИФИКАТ СООТВЕТСТВИЯ № RU C-DE.AЯ46.B.84291 Действителен до: 01 марта 2021 г.

**Машины шлифовальные:**

Модели: SP137\*-, SL209\*-, SL229\*-, где \*- не более 5 символов (буква от «А» до «Z» и/или цифра от 0 до 9, знак дефис или их отсутствие)

СЕРТИФИКАТ СООТВЕТСТВИЯ № RU C-DE.AЯ46.B.89083 Действителен до: 28 октября 2021 г.

**Сертификат выдан:** Орган по сертификации "РОСТЕСТ- Москва", Адрес: 119049, г. Москва, улица Житная, д. 14, стр. 1; 117418, Москва, Нахимовский просп., 31 (фактический), Телефон: (499) 1292311, (495) 6682893, Факс: (495) 6682893, E-mail: office@rostest.ru

Изготовитель: Изготовитель: Блэк энд Деккер Холдингс ГмбХ, Германия, 65510, Идштайн, ул. Блэк энд Деккер, 40, тел. +496126212790.

**Хранение.**

Необходимо хранить в сухом месте, вдали от источников повышенных температур и воздействия солнечных лучей. При хранении необходимо избегать резкого перепада температур. Хранение без упаковки не допускается

**Срок службы.**

Срок службы изделия составляет 5 лет. Не рекомендуется к эксплуатации по истечении 5 лет хранения с даты изготовления без предварительной проверки.

Дата изготовления (код даты) указана на корпусе инструмента.

Код даты, который также включает год изготовления, отштампован на поверхности корпуса изделия.

Пример:

2018 46 XX, где 2018 –год изготовления, 46-неделя изготовления.

Определить месяц изготовления по указанной неделе изготовления можно согласно приведенной ниже таблице.

**Уполномоченное изготовителем юрлицо:**

ООО "Стэнли Блэк энд Деккер", 117485, город Москва, улица Обручева, дом 30/1, строение 2

Телефон: + 7 (495) 258-3981, факс: + 7 (495) 258-3984, E-mail:

inbox@dewalt.com

Сведения о импортере указаны в сопроводительной документации и/или на упаковке

**Транспортировка.**

Категорически не допускается падение и любые механические воздействия на упаковку при транспортировке.

При разгрузке/погрузке не допускается использование любого вида техники, работающей по принципу зажима упаковок.

**Перечень критических отказов, возможные ошибочные действия персонала.**

Не допускается эксплуатация изделия:

- При появлении дыма из корпуса изделия
- При поврежденном и/или оголенном сетевом кабеле
- при повреждении корпуса изделия, защитного кожуха, рукоятки
- при попадании жидкости в корпус
- при возникновении сильной вибрации
- при возникновении сильного искрения внутри корпуса

**Критерии предельных состояний.**

- При поврежденном и/или оголенном сетевом кабеле
- при повреждении корпуса изделия

Месяц	Январь	Февраль	Март	Апрель	Май	Июнь	Июль	Август	Сентябрь	Октябрь	Ноябрь	Декабрь	Год производства
Неделя	01	05	09	13	17	22	26	31	35	39	44	48	2016
	02	06	10	14	18	23	27	32	36	40	45	49	
	03	07	11	15	19	24	28	33	37	41	46	50	
	04	08	12	16	20	25	29	34	38	42	47	51	
		09	13	17	21	26	30	35	39	43	48	52	
				22						44			
Неделя	01	05	09	13	18	22	26	31	35	39	44	48	2017
	02	06	10	14	19	23	27	32	36	40	45	49	
	03	07	11	15	20	24	28	33	37	41	46	50	
	04	08	12	16	21	25	29	34	38	42	47	51	
	05	09	13	17	22	26	30	35	39	43	48	52	
						31				44			
Неделя	01	05	09	13	18	22	26	31	35	40	44	48	2018
	02	06	10	14	19	23	27	32	36	41	45	49	
	03	07	11	15	20	24	28	33	37	42	46	50	
	04	08	12	16	21	25	29	34	38	43	47	51	
	05	09	13	17	22	26	30	35	39	44	48	52	
				18			31						
Неделя	01	05	09	14	18	22	27	31	35	40	45	48	2019
	02	06	10	15	19	23	28	32	36	41	46	49	
	03	07	11	16	20	24	29	33	37	42	47	50	
	04	08	12	17	21	25	30	34	38	43	48	51	
	05	09	13	18	22	26	31	35	39	44		52	
									40				
Неделя	01	05	09	14	18	23	27	31	36	40	44	49	2020
	02	06	10	15	19	24	28	32	37	41	45	51	
	03	07	11	16	20	25	29	33	38	42	46	51	
	04	08	12	17	21	26	30	34	39	43	47	52	
	05	09	13	18	22	27	31	35	40	44	48	53	
			14					36		49			

## ПРИЗНАЧЕННЯ

Полірувальна машина STANLEY SP137 призначена для професійного використання при виконанні робіт з автомобільного деталінгу або полірування різноманітних металевих поверхонь. Забороняється використовувати в умовах підвищеної вологості, а також в середовищі з наявністю легкозаймистих рідин і газів. Цей інструмент призначений для професійного використання.

## ІНСТРУКЦІ З ТЕХНІКИ БЕЗПЕКИ

Наведені нижче визначення описують рівень небезпеки, якому відповідає кожне сигнальне слово. Необхідно ретельно ознайомитись із вмістом цього посібника та звернути увагу на наступні знаки.



**НЕБЕЗПЕЧНО:** Вказує на неминучу небезпечну ситуацію, яка, якщо її не усунути, обов'язково призведе до серйозних травм або смерті.



**ОБЕРЕЖНО!** Вказує на потенційно небезпечну ситуацію, яка, якщо її не усунути, може призвести до серйозних травм або смерті.



**УВАГА:** Вказує на потенційно небезпечну ситуацію, яка, якщо її не усунути, може призвести до травм легкого та середнього ступеню тяжкості.

**ПРИМІТКА:** Вказує на дію, що не пов'язана з особистою безпекою, але яка, якщо її не усунути, може призвести до пошкодження майна.



Вказує на небезпеку ураження електричним струмом.



Вказує на небезпеку виникнення пожежі.



**Обережно:** Щоб знизити ризик травмування, необхідно ретельно ознайомитись із вмістом цього посібника.

**Загальні вказівки щодо безпечної роботи з електричним інструментом**



**УВАГА!** Необхідно ретельно ознайомитись із усіма попереджувальними знаками, вказівками щодо безпечної роботи, графічними матеріалами та технічними описами, що додаються до цього електричного інструмента. Недотримання вказівок щодо безпечної роботи може призвести до ураження електричним струмом, пожежі та/або серйозних травм персоналу.

Зберігайте всі попереджувальні написи та вказівки щодо безпечної роботи для використання в майбутньому. Термін

«електричний інструмент», що використовується в попереджувальних написах та вказівках щодо техніки безпеки, відносяться до електричного інструмента, який працює від мережі (зі шнуром електроживлення) або від акумуляторної батареї (без шнура живлення).

**1. Вказівки з техніки безпеки на робочому місці**

**a. Утримуйте робоче місце в чистоті і добре освітленим.** Безлад або погане освітлення на робочому місці можуть призвести до нещасного випадку.

**b. Не працюйте з електроінструментом в місці зберігання вибухонебезпечних матеріалів, наприклад, у присутності легкозаймистих рідин, газів або пилу.** Електричні інструменти створюють іскри, що можуть запалити пил або пари.

**c. Забороняється перебування дітей та сторонніх осіб поблизу працюючого електричного інструмента.** Ви можете відволіктися і втратити контроль за роботою інструмента.

**2. Електрична безпека**

**a. Вилка шнура живлення інструмента повинна відповідати мережів розетці.** Забороняється вносити будь-які зміни у вилку шнура живлення. Не використовуйте жодних вилок-перехідників із заземленими (зануленими) електроінструментами. Відсутність змін у вилках шнурів живлення та відповідність електричних вилок і розеток знижує ризик ураження електричним струмом.

**b. Не торкайтесь поверхонь заземлених чи занулених предметів, наприклад труб, радіаторів, електроплит або холодильників.** Заземлення чи занулення тіла підвищує ризик ураження електричним струмом.

**c. Забороняється піддавати електричні інструменти впливу дощу чи підвищеної вологості.** При попаданні вологи всередину електричного інструмента підвищується ризик ураження електричним струмом.

**d. Забороняється пошкоджувати шнур живлення.** У жодному разі не використовуйте шнур живлення для перенесення чи зміни положення інструмента; не тягніть за шнур, виймаючи вилку з розетки. Не прокладайте шнур живлення поруч із гарячими предметами, мастилом, гострими кінцями і рухомими деталями. Пошкодження й заплутування шнурів живлення підвищує ризик ураження електричним струмом.

**e. Під час роботи з електричним інструментом за межами приміщень використовуйте відповідний подовжувач.** Використання подовжувача, призначеного для роботи поза приміщеннями, знижує ризик ураження електричним струмом.

**f. Якщо електричним інструментом необхідно користуватись у вологому місці,**

слід використовувати пристрій захисного відключення (ПЗВ) електричної мережі. Використання ПЗВ знижує ризик ураження електричним струмом.

### 3. Безпека персоналу

- a. Під час роботи з електричним інструментом необхідно бути обачним, слідкувати за виконуваною роботою та керуватися здоровим глуздом. Забороняється працювати з електричним інструментом у стані втоми чи під впливом наркотиків, алкоголю й лікарських препаратів. Ослаблення уваги навіть на мить може призвести до серйозної травми.
- b. Використовуйте засоби індивідуального захисту. Завжди користуйтеся засобами захисту очей. Використання у відповідних умовах засобів індивідуального захисту, наприклад пилозахисної маски, протиковзного захисного взуття, захисної каски або засобів захисту органів слуху, завжди знижує ризик отримання травми.
- c. Не допускайте ненавмисного вмикання інструмента. Перш ніж підключити джерело живлення та/або акумулятор, піднімати чи переносити інструмент, переконайтесь, що його вимикач переведено у положення «вимкнено». Якщо тримати палець на вимикачі під час перенесення інструмента чи підключення увімкненого інструмента до мережі, це підвищує ризик нещасного випадку.
- d. Перш ніж увімкнути електричний інструмент, обов'язково вийміть із нього регульовальний чи гайковий ключ. Ключ, залишений ключ на обертовій деталі інструмента, може призвести до травмування.
- e. Не намагайтеся дотягнутися до важкодоступних місць. Завжди міцно тримайтеся на ногах і зберігайте рівновагу під час роботи. Це дозволяє краще контролювати електричний інструмент у непередбачуваних ситуаціях.
- f. Необхідно використовувати захисний одяг. Забороняється одягати вільний одяг та прикраси. Волосся та одяг мають знаходитися на безпечній відстані від рухомих деталей інструменту. Вільний одяг, прикраси чи довге волосся можуть бути захоплені рухомими елементами.
- g. Якщо встановлені пристрої підключення засобів вилловлювання та пилозбірників, необхідно перевіряти, щоб вони були підключені та використовувалися належним чином. Використання цих пристроїв знижує рівень ризику, пов'язаного з пилом.
- h. Довід роботи з електричним інструментом та часте його використання не повинні ставати причиною легковажного ставлення до правил безпечної експлуатації чи їх ігнорування. Легковажне ставлення навіть на частку секунди може призвести до серйозної травми.

### 4. Використання та догляд за електричним інструментом

- a. Не застосовуйте надмірне зусилля до електричного інструмента. Використовуйте електричний інструмент тільки за призначенням. Правильно підібраний електроінструмент дозволить виконати роботу краще і безпечніше при швидкості, для якої він був розроблений.
- b. Забороняється використовувати цей електричний інструмент, якщо не вдається ввімкнути чи вимкнути його вимикачем. Будь-який електричний інструмент, роботою якого неможливо керувати за допомогою вимикача, є небезпечним, і його обов'язково потрібно відремонтувати.
- c. Перш ніж регулювати електричний інструмент, замінювати на ньому приладдя чи класти на зберігання, необхідно витягти вилку живлення з розетки та/або від'єднати від нього акумулятор. Такий запобіжний захід безпеки знижує ризик ненавмисного увімкнення інструменту.
- d. Зберігайте електричний інструмент, який в даний момент не використовується, в недоступному для дітей місці та не дозволяйте працювати з інструментом особам, які не знайомі з ним або з цими вказівками. Електричний інструмент є небезпечним в руках ненавченої людини.
- e. Технічне обслуговування електроінструмента та приладдя. Перевіряйте центрування та з'єднання рухомих деталей, наявність пошкоджених деталей та будь-які фактори, які можуть негативно позначитися на роботі електричного інструмента. У разі виявлення пошкодження електричний інструмент необхідно відремонтувати перед використанням. Багато нещасних випадків трапляється через неналежне технічне обслуговування електричних інструментів.
- f. Ріжучі інструменти мають бути загостреними й чистими. Підтримуваний у належному робочому стані ріжучий інструмент з гострими лезами менше застряє, ним легше керувати.
- g. Використовуйте електричний інструмент, приладдя, вставні різці і т. п. відповідно до даних вказівок, враховуючи умови експлуатації та роботу, яка має бути виконана. Використання електричного інструменту не за призначенням може призвести до небезпечної ситуації.
- h. Необхідно забезпечувати відсутність бруду, вологи та залишків оливи та мастила на рукоятках та поверхнях утримання інструменту. Слизькі рукоятки та поверхні утримання є джерелами небезпеки під час роботи з електричним інструментом та не дозволяють надійно керувати інструментом в нештатних ситуаціях.

**5. Обслуговування**

a. Обслуговувати електричний інструмент повинен тільки кваліфікований ремонтний персонал із використанням лише ідентичних запасних частин. Це забезпечить утримання електричного інструмента у безпечному стані.

**ВКАЗІВКИ ЩОДО БЕЗПЕЧНОГО ВИКОНАННЯ ВСІХ ОПЕРАЦІЙ**

**Запобіжні заходи, загальні для всіх операцій полірування**

- a. Цей електричний інструмент призначений для використання в якості полірувальної машини. Необхідно ретельно ознайомитись із усіма попереджувальними знаками, вказівками щодо безпечної роботи, графічними матеріалами та технічними описами, що додаються до цього електричного інструмента. Недотримання вказівок щодо безпечної роботи може призвести до ураження електричним струмом, пожежі та/або серйозних травм персоналу.
- b. Цим електричним інструментом не рекомендується виконувати такі операції як шліфування каменем, шліфування абразивним папером або тканиною, оброблення дротяною щіткою та різання. Операції, на які не розрахована конструкція цього електричного інструмента, можуть призвести до виникнення аварійної ситуації та травм.
- c. Не використовуйте приладдя, що не були розроблені та не рекомендовані виробником інструменту. Якщо приладдя можна встановити на ваш інструмент, це ще не є гарантією безпечної роботи.
- d. Номінальна швидкість приладдя повинна хоча б дорівнювати максимальній швидкості, зазначеній на електричному інструменті. Приладдя, що працює з швидкістю, яка перевищує свою номінальну швидкість, може зруйнуватися та розлетітися в сторони.
- e. Зовнішній діаметр і товщина приладдя повинні лежати в межах характеристик вашого електричного інструмента. Приладдя неправильного розміру не можуть бути належним чином захищені захисним щитком, і їх роботу неможливо нормально контролювати.
- f. Різьбове кріплення приладдя повинно збігатися з різьбою шпинделя шліфувальної машини. Для приладдя, що кріпиться за допомогою фланців, центровий отвір повинен відповідати кріпильному діаметру фланця. Приладдя, що не збігається з елементами кріплення електричного інструмента, буде розбалансованим, буде відчувати надмірні вібрації та може стати причиною втрати контролю за інструментом.

- g. Забороняється використовувати пошкоджене приладдя. Перед початком роботи завжди перевіряйте приладдя: шліфувальні диски — на наявність сколів і тріщин, підшову — на наявність тріщин, розривів і надмірного зносу, а дротяну щітку — на наявність ослабленого або обломаного дроту. У випадку падіння електричного інструмента та приладдя перевірте їх на наявність пошкоджень або замініть пошкоджене приладдя. Після перевірки та установки приладдя оператор та сторонні особи повинні відійти убік від площини обертання приладдя, після чого необхідно увімкнути електричний інструмент на максимальну швидкість холостого ходу без навантаження. Пошкоджене приладдя за цей час звичайно розлітається.
- h. Використовуйте засоби індивідуального захисту. Залежно від способу використання, використовуйте захисну прозору маску, відкриті або закриті захисні окуляри. У разі необхідності одягайте пілозахисну маску, засоби захисту органів слуху, захисні рукавички та робочий фартух, що здатні зупинити дрібні абразивні частки або осколки робочої деталі. Засіб захисту очей повинен зупиняти частинки, які розлітаються під час роботи. Пілозахисна маска або респіратор мають відфільтровувати частинки, які з'являються під час роботи. Тривалий вплив сильного шуму може призвести до погіршення слуху.
- i. Сторонні особи повинні перебувати на безпечній відстані від робочої зони. Будь-які особи, які входять до робочої зони, повинні використовувати засоби індивідуального захисту. Уламки робочої деталі або зруйнованого приладдя можуть розлітатися і стати причиною травмування персоналу за межами безпосередньої зони роботи.
- j. Під час виконання робіт, коли ріжуче коло може контактувати з прихованою електропроводкою, інструмент необхідно тримати за ізольовані частини. Приконтаті ріжучої деталі з проводом, що знаходиться під напругою, під напругою можуть потрапити металеві деталі електричного інструмента, внаслідок чого виникає небезпека ураження оператора електричним струмом.
- k. Шнур електроживлення повинен знаходитися на максимальному віддаленні від обертального приладдя. У разі втрати контролю можливе обривання шнура або оголення проводів, а ваша рука може потраждати від контакту з рухомими деталями.
- l. Забороняється класти інструмент до повної зупинки рухомих деталей. Обертове приладдя може захопити частину

поверхні, в результаті чого інструмент вийде з-під вашого контролю.

- m. **Не вмикайте електричний інструмент, який знаходиться збоку від вас.** В разі випадкового контакту обертового приладдя може порватися ваш одяг, а приладдя може увійти в тіло.
- n. **Виконуйте регулярне очищення вентиляційних отворів електричного інструменту.** Вентилятор двигуна може втягувати пил всередину його корпусу, і через надмірне скупчення металевого пилю може виникнути небезпека ураження електричним струмом.
- o. **Не використовуйте електроінструмент поблизу легкозаймистих матеріалів.** Такі матеріали можуть займатися від іскор.
- p. **Не використовуйте приладдя, що потребує рідких охолоджувачів.** Використання води та інших рідких охолоджувачів може призвести до ураження електричним струмом або навіть до летального наслідку.

### **ДОДАТКОВІ ІНСТРУКЦІЇ ЩОДО БЕЗПЕЧНОГО ВИКОНАННЯ ОПЕРАЦІЇ**

#### **Віддача та пов'язані з нею вказівки щодо безпечної роботи**

Віддача — це миттєва реакція на затиснуте або застопорене приладдя, яке обертається: підшуву, щітку тощо. Затискання або стопоріння призводить до швидкої зупинки обертового приладдя, що, у свою чергу, призводить до того, що некерований електричний інструмент починає обертатися в напрямку, протилежному напрямку обертання приладдя, в точці зчеплення.

Наприклад, якщо шліфувальний диск застопорився або був затиснутий деталлю, що оброблюється, то край диска, який заходить в місце затиснення, може заглибитися в поверхню матеріалу, що призведе до виштовхування або віддачі з боку диска. В залежності від напрямку обертання диска в точці затиснення диск може відскочити в напрямку оператора або від нього. У таких умовах шліфувальні диски можуть також руйнуватися.

Віддача є результатом неправильного використання інструмента та/або неправильної послідовності виконання дій і неправильних умов роботи, і може бути усунена в разі дотримання заходів безпеки, зазначених нижче:

- a. **Необхідно міцно тримати інструмент і зайняти таке положення тіла та рук, що дозволяє чинити опір силам віддачі. Щоб максимально контролювати віддачу і реакцію від крутильного моменту під час пуску, необхідно використовувати додаткову рукоятку, якщо вона входить в комплект.** Оператор може контролювати реакцію від крутильного моменту або віддачу, якщо були забезпечено виконання належних запобіжних заходів.

- b. **Забороняється тримати руки поблизу приладдя, що обертається.** Приладдя може відскочити назад через руку.
- c. **Забороняється ставати в напрямку руху інструменту в разі віддачі.** Віддача буде штовхати інструмент в напрямку, протилежному напрямку руху диску в місці затискання.
- d. **Під час роботи з кутами, гострими краями тощо необхідно зберігати особливу пильність. Необхідно уникати підстрибування та затискання приладдя.** Кути, гострі краї та підстрибування призводять до затискання обертового приладдя і втрати контролю або віддачі.
- e. **Забороняється прикріплювати до інструменту ніж ланцюгової пили для дерева або зубчастий різальний диск.** Таке різальне приладдя часто спричиняє віддачу та втрату керуваності.

### **ДОДАТКОВІ ВКАЗІВКИ ЩОДО БЕЗПЕЧНОГО ВИКОНАННЯ ПОЛІРУВАЛЬНИХ ОПЕРАЦІЙ**

#### **Спеціальні вказівки щодо безпечного виконання полірування**

- a. **Не дозволяйте відокремленим ділянкам полірувальної насадки або шнурка для кріплення вільно обертатися. Сховайте або відріжте вільний край шнурка для кріплення.** Вільно звисаючий шнурок для кріплення може чіплятися за пальці чи оброблювану деталь.
- b. **При додаванні змащувальних матеріалів та заміні приладдя дотримуйтеся інструкцій, наведених в даному посібнику.**
- c. **Руків'я завжди повинне залишатися чистим та сухим, без жодних слідів мастила.**

### **ДОДАТКОВІ СПЕЦІАЛЬНІ ПРАВИЛА ТЕХНІКИ БЕЗПЕКИ**



**УВАГА!** Техніка безпеки під час використання полірувальної машини

- a. **Необхідно завжди користуватися засобами захисту очей.** Всі оператори приладдя та сторонні особи, які знаходяться поруч, повинні використовувати засоби захисту очей, що відповідають ANSI Z87.1.
- b. **Необхідно регулярно чистити інструмент, особливо після роботи під великим навантаженням.** Пил і абразив, що містять металеві частинки, часто накопичуються на внутрішніх поверхнях деталей і можуть спричинити ураження електричним струмом.
- c. **Забороняється надмірно тривала експлуатація інструменту.** Вібрація, спричинена роботою інструменту, може призвести до травми пальців, долонь та рук. Для забезпечення додаткового захисту рекомендується застосовувати захисні рукавички та обмежувати час використання інструменту.



d. **Вентиляційні отвори можуть знаходитись навпроти рухомих частин, тому їх потрібно уникати.** Вільний одяг, прикраси чи довге волосся можуть бути затягнуті рухомими елементами.



**ОБЕРЕЖНО:** ЗАВЖДИ вдягайте захисні окуляри. У якості захисних окулярів забороняється використовувати звичайні окуляри. Крім того, в умовах запиленого робочого місця слід користуватися захисною маскою або респіратором. **ЗАВЖДИ ВИКОРИСТОВУЙТЕ ЛИШЕ СЕРТИФІКОВАНЕ ЗАХИСНЕ СПОРЯДЖЕННЯ.**



**ОБЕРЕЖНО:** Під час використання завжди застосовуйте засоби захисту органів слуху, що відповідають вимогам ANSI S12.6 (S3.19). За деяких умов та тривалості використання, шум, спричинений цим виробом, може призвести до втрати слуху.



**ОБЕРЕЖНО:** Використання інструменту може призвести до утворення або підняття у повітря пилу, що здатен викликати серйозні та хронічні респіраторні захворювання, а також спричинити інші травми. Завжди використовуйте засоби захисту органів дихання для захисту від пилу, які схвалені відповідними органами з охорони праці. Запобігайте потраплянню часток матеріалу, що обробляється на обличчя і тіло.



**УВАГА:** Будьте дуже уважними під час полірування на кутах, оскільки раптовий контакт диска полірувальної машини з іншою поверхнею (яка прилягає до основної) або гранню оброблюваного об'єкту може призвести до різкої віддачі інструмента.

#### Додаткові інструкції з техніки безпеки



**ОБЕРЕЖНО:** Рекомендується використовувати пристрій захисного відключення з номінальним струмом вимкнення до 30 мА.

#### БЕЗПЕКА ІНШИХ ОСІБ

- Цей інструмент не призначений для використання особами (включаючи дітей) з обмеженими фізичними, сенсорними або розумовими здібностями або особами, у яких відсутній необхідний досвід і знання, крім випадків, коли вони знаходяться під наглядом і отримали належні інструкції по роботі з інструментом від особи, відповідальної за їхню безпеку.
- Щоб діти не гралися з інструментом, вони повинні знаходитися під наглядом.

#### ЗАЛИШКОВИЙ РИЗИК

Навіть за умов дотримання всіх відповідних правил техніки безпеки та використання захисних пристроїв, неможливо повністю усунути залишковий ризик. Серед таких небезпек:

- погіршення слуху;
- безпека травмування частинками, що розлітаються;
- безпека опіків внаслідок нагрівання приладдя під час роботи;
- безпека травмування внаслідок тривалої роботи;
- безпека, що спричинена пилом шкідливих речовин.

#### ЕЛЕКТРИЧНА БЕЗПЕКА



Цей інструмент має подвійну ізоляцію, тому дріт заземлення для нього не потрібен. Завжди перевіряйте, чи мережева напруга відповідає значенню, вказаному в таблиці з паспортними даними.



**ОБЕРЕЖНО!** Щоб уникнути травм і матеріальних збитків, пошкоджений шнур живлення необхідно замінити, звернувшись до виробника, в авторизований сервісний центр STANLEY чи до особи, яка має відповідну кваліфікацію. Якщо заміну шнура живлення виконує особа, яка має відповідну кваліфікацію, але не уповноважена компанією STANLEY, гарантію буде анульовано.

#### ВИКОРИСТАННЯ ПОДОВЖУВАЧА

Дозволяється використовувати лише 3-дротовий схвалений для застосування подовжувач, що відповідає вхідній потужності інструменту (див. Технічні характеристики). Мінімальний перетин кабелю має бути 1,5 мм<sup>2</sup>, максимальна довжина — 30 метрів. У разі використання кабелюної катушки обов'язково розмотувати подовжувач повністю.

Площа перерізу кабелю, мм <sup>2</sup>	Номінальний струм кабелю, А
0.75	6
1.00	10
1.50	15
2.50	20
4.00	25

Довжина кабелю, м

	7.5	15	25	30	45	60
--	-----	----	----	----	----	----

Напруга	Ампер	Номинальний струм кабелю (ампер)					
110-127	0 - 2.0	6	6	6	6	6	10
	2.1 - 3.4	6	6	6	6	15	15
	3.5 - 5.0	6	6	10	15	20	20
	5.1 - 7.0	10	10	15	20	20	25
	7.1 - 12.0	15	15	20	25	25	-
220-240	0 - 2.0	6	6	6	6	6	6
	2.1 - 3.4	6	6	6	6	6	6
	3.5 - 5.0	6	6	6	6	10	15
	5.1 - 7.0	10	10	10	10	15	15
	7.1 - 12.0	15	15	15	15	20	20
	12.1-20.0	20	20	20	20	25	-

НАКЛЕЙКИ НА ІНСТРУМЕНТІ

Наклейка на вашому інструменті може містити наступні символи:

	прочитати інструкцію з експлуатації перед його використанням. <b>ОБЕРЕЖНО!</b> Щоб знизити ризик травмування, необхідно уважно		
	Використовуйте відкриті і закриті захисні окуляри.		
	Необхідно застосовувати засоби захисту органів слуху.		
	Одягайте маску для захисту від пилу.		
V	Вольт		Постійний струм
A	Ампер	$n_0$	Швидкість холостого ходу
Гц	Герц		Конструкція II класу
Вт	Ват		Клема заземлення
хв	хвилини		Попереджувальний знак
	Змінний струм	/хв.	Кількість обертів або зворотно-поступальних рухів за хвилину

Положення коду з датою

На корпусі надрукований код з датою, який також містить рік виготовлення.

Приклад:

2017 XX JN

Рік виготовлення

ДО КОМПЛЕКТУ ПОСТАВКИ ВХОДЯТЬ

- 1 полірувальна машина
- 1 диск-підшова з липучкою
- 1 повстяна насадка з липучкою
- 1 посібник з експлуатації
- 1 гарантійний талон
- Переверніть інструмент, деталі та приладдя на предмет пошкоджень, що могли виникнути внаслідок транспортування.
- Перш ніж починати роботу з інструментом, слід уважно прочитати і вивчити вказівки, які містяться у даному посібнику.

ДЕТАЛІ ІНСТРУМЕНТА (РИС. А)



**ОБЕРЕЖНО:** Заборонено змінювати конструкцію інструмента або його частин. Це може призвести до травмування.

1. Коліщатко регулювання швидкості
2. Диск-підшова з липучкою
3. Пусковий перемикач
4. Щіткотримач
5. Кнопка фіксації шпинделя
6. Кнопка фіксації
7. D-подібне руків'я
8. Насадка кола на липучці
9. Шпиндель

МОНТАЖ



**ОБЕРЕЖНО:** Щоб запобігти травмуванню, перед початком регулювання або зняття/встановлення приладдя необхідно завжди вимикати інструмент та від'єднувати його від джерела живлення. Перед повторним під'єднанням інструменту необхідно натиснути та відпустити пусковий вимикач, щоб переконатися, що інструмент вимкнений. Раптове увімкнення може призвести до травмування.

Коліщатко регулювання швидкості (Рис. А)

Максимальну швидкість вашого інструменту можна відрегулювати, встановивши коліщатко регулювання швидкості (1) в бажане положення. Диск має фіксатори для запобігання випадковому руху диска і для полегшення вибору швидкості. Для забезпечення універсальності вимикач можна заблокувати в повністю увімкненому

положенні, а швидкість інструмента можна змінювати лише за допомогою коліщатка регулювання швидкості (1).

Електронне регулювання швидкості не тільки дозволяє вам обрати потрібну для роботи швидкість, але й підтримувати незмінну швидкість при притисканні інструмента до оброблюваної поверхні.

Коліщатко регулювання швидкості (1) можна встановити на будь-яку швидкість між 500 та 3600 об/хв від рівня 1 до рівня MAX.

**Кнопка фіксації шпинделя (Рис. В)**



**ОБЕРЕЖНО:** Щоб запобігти травмуванню, перед початком регулювання або зняття/встановлення приладдя необхідно завжди вимикати інструмент та від'єднувати його від джерела живлення. Перед повторним під'єднанням інструменту необхідно натиснути та відпустити пусковий вимикач, щоб переконатися, що інструмент вимкнений.

Аби запобігти обертанню шпинделя інструмента під час встановлення диску-підшови, можна задіяти кнопку блокування шпинделя, яка знаходиться на верхній частині шпиндельної бабки. Щоб заблокувати шпиндель, натисніть та утримуйте кнопку блокування. **НИКОЛИ НЕ НАТИСКАЙТЕ КНОПКУ БЛОКУВАННЯ ШПИНДЕЛЯ ПІД ЧАС РОБОТИ ІНСТРУМЕНТА АБО ЙОГО ЗУПИНКИ ЗА ІНЕРЦІЄЮ.**

**ВИКОРИСТАННЯ**



**УВАГА!** Щоб запобігти травмуванню, перед початком регулювання або зняття/встановлення приладдя необхідно завжди вимикати інструмент та від'єднувати його від джерела живлення. Перед повторним під'єднанням інструменту необхідно натиснути та відпустити пусковий вимикач, щоб переконатися, що інструмент вимкнений.

**Прикріплення та зняття полірувальних дисків (рис. В)**



**УВАГА!** Аби знизити ризик отримання серйозних травм, потрібно слідкувати за тим, щоб від полірувальних дисків не відходили шматки матерії.

Встановіть диск-підшову (2) на шпиндель (9), затягніть її рукою, одночасно натискаючи кнопку блокування шпинделя (5); Для зняття диска виконуйте цю процедуру в зворотному порядку.

На SP137 можуть використовуватися насадки на липучках та насадки на зав'язках. Насадку на липучці можна ліпити та знімати безпосередньо на диск-підшову (2), слідкуючи при цьому, щоб насадки залишалися по центру диска.

У випадку використання дисків на зав'язках слід переконатися в тому, що при обертанні диску не залишається жодних незакріплених частин або

зав'язок. Сховайте або відріжте вільний край шнурка для кріплення. Вільно звисаючі зав'язки для кріплення можуть чіплятися за пальці чи оброблювану деталь.

**Полірування**

Дані інструкції та рекомендації призначені для того, щоб ознайомити нових операторів із загальним порядком експлуатації полірувального електроінструмента. В ході набуття практичних навичок із застосування полірувального електроінструменту ви виробите власну техніку, яка зробить вашу роботу простішою.

- Слід бути максимально обережними під час полірування поверхонь навколо або поверх гострих предметів, а також контурів кузова автомобіля. Під час полірування різних ділянок кузова автомобіля надзвичайно важливо застосовувати правильний тиск. Наприклад, слід докладати невелике зусилля при поліруванні гострих граней на панелях кузова, а також граней водостічного жолоба уздовж верхньої частини.
  - Оскільки всі використовують різні види полірування, ми рекомендуємо вам спочатку очистити та відполірувати пробну ділянку на пласкій поверхні автомобіля. За результатами, отриманими на пробній ділянці, ви зможете визначити силу, яку слід докладати до інструмента при виконанні полірувальних робіт.
  - Пам'ятайте, полірування із використанням електроінструменту може суттєво відрізнятись. Різні марки по-різному реагують на різні фарбовані поверхні. Крім того, тепер ви використовуєте полірувальний електроінструмент з можливістю регулювання швидкості. Це докорінно відрізняється від будь-яких ручних способів полірування, якими ви користувалися раніше. Помийте автомобіль перед тим, як приступати до полірування. Миття автомобіля дозволяє видалити бруд, нашарування, дорожню сіль і т.д., які можуть виступати в якості абразиву і пошкоджувати фарбу. Крім того, невідчищений бруд при роботі може відставати від поверхні і забивати полірувальне коло, тому вам доведеться очищувати його частіше.
  - Не вмикаючи інструмент, візьміться за обидва руків'я інструменту та підніміть його. Тримаючи інструмент на відстані від тіла, натисніть пусковий перемикач. Міцно та надійно візьміться за обидва руків'я, щоб вільно працювати з інструментом, не докладуючи неналежного зусилля та не створюючи зайвий тиск. Бічне руків'я можна легко переставити на будь-який бік інструменту, щоб забезпечити зручний хват лівою або правою рукою.
- ПРИМІТКА:** Висока швидкість тертя полірувальної насадки по поверхні автомобіля може призвести до утворення заряду статичної електрики на металевих частинах цього інструменту. Це може призвести до відчуття

дуже короткого та слабкого удару струмом при доторку до металеві поверхні, і в сухі дні цей ефекти стає помітнішим. Це явище не наносить шкоди здоров'ю, але ви завжди можете принести інструмент до сервісного центру STANLEY, де його перевірять, щоб виключити будь-яку можливість електричної несправності.

## ТЕХНІЧНЕ ОБСЛУГОВУВАННЯ

Конструкція інструмента STANLEY розрахована на роботу протягом тривалого періоду часу з максимальним технічним обслуговуванням. Для тривалої й належної роботи інструменту потрібен догляд і регулярне очищення.

- Необхідно регулярно очищувати вентиляційні прорізи в інструменті і зарядному пристрої за допомогою м'якої щітки або сухої тканини.
- Необхідно регулярно очищувати корпус двигуна за допомогою вологої тканини. Забороняється використовувати для очищення абразивні матеріали та засоби очищення на основі розчинників. Інструмент не призначений для обслуговування користувачем. В разі виникнення несправностей необхідно звернутися до авторизованого сервісного центру.



### Змащування

Ваш електричний інструмент не потребує додаткового змащування.



### Очищення



**ОБЕРЕЖНО:** Видувати бруд і пил з корпусу дозволяється за допомогою сухого повітря під тиском по мірі накопичення бруду всередині і навколо вентиляційних отворів. Під час виконання цієї процедури необхідно використовувати засоби захисту очей і респіратор встановленого зразка.



**ОБЕРЕЖНО:** Для очищення неметалевих частин інструменту забороняється використовувати розчинники та агресивні хімічні речовини. Ці хімічні речовини можуть пошкодити матеріали, з яких складаються ці деталі. Для очищення потрібно використовувати суху ганчірку та м'який мильний розчин.

Не дозволяється проникнення рідини всередину інструменту і занурення інструменту будь-якою частиною в рідину. Для забезпечення БЕЗПЕКИ та НАДІЙНОСТІ інструменту ремонт, перевірку стану графітових щіток та їхню заміну, а також будь-які інші операції з технічного обслуговування мають проводити працівники сервісних центрів STANLEY, а для заміни потрібно використовувати тільки запасні частини Stanley.

## ПРИЛАДДА



**ОБЕРЕЖНО:** Оскільки приладдя сторонніх виробників, що не входять до переліку приладдя STANLEY, не було випробоване з цим виробом, його використання може бути небезпечним. Для запобігання травмуванню необхідно використовувати лише рекомендовані компанією STANLEY приладдя та обладнання.

Детальну інформацію про доступне приладдя можна дізнатися у офіційного дилера.

## ЗАХИСТ НАВКОЛИШНЬОГО СЕРЕДОВИЩА



Роздільний збір відходів. Забороняється утилізувати цей виріб разом зі звичайними побутовими відходами.

Якщо ви вирішите, що ваш виріб STANLEY необхідно замінити, або припините його використовувати, не викидайте його разом із побутовими відходами. Цей виріб підлягає роздільному збору відходів.



Компанія STANLEY має систему збору і повторної переробки виробів STANLEY після закінчення терміну експлуатації. Щоб скористатися перевагою цього сервісу, будь ласка, надішліть ваш виріб будь-якому уповноваженому представнику з ремонту, який збирає такі вироби від нашого імені.

Адресу вашого найближчого уповноваженого представника з ремонту можна дізнатися, звернувшись у регіональне представництво STANLEY за адресою, наведеною в цій інструкції. Крім того, список уповноважених представників з ремонту STANLEY, детальну інформацію про обслуговування після продажу та контактні дані можна знайти на сайті: [www.2helpU.com](http://www.2helpU.com).

## ПРИМІТКИ

Одним із принципів політики STANLEY є постійне вдосконалення наших виробів, тому ми залишаємо за собою право змінювати характеристики нашої продукції без попереднього сповіщення. Перелік стандартного та додаткового обладнання може різнитися залежно від країни. Технічні характеристики виробів можуть різнитися залежно від країни. Повний асортимент продукції може бути доступний не в усіх країнах. З питання наявності наших продуктів зверніться до дилерів STANLEY.

## ІНФОРМАЦІЯ З ОБСЛУГОВУВАННЯ

Компанія STANLEY має широку мережу власних та авторизованих сервісних центрів. Всі сервісні центри компанії STANLEY укомплектовано персоналом із відповідною підготовкою, який виконує ефективно і надійне сервісне обслуговування власників електричних інструментів. Щоб отримати додаткову інформацію про авторизовані сервісні центри, пораду технічного спеціаліста чи замовити ремонт та оригінальні запасні частини, зверніться до найближчого представництва STANLEY.

**ТЕХНІЧНІ ДАНІ**

<b>ПОЛІРУВАЛЬНА МАШИНА</b>		<b>SP137</b>
Напруга	$V_{зм.ст}$	220-240
Частота	Гц	50-60
Споживана потужність	Вт	1300
Номінальна швидкість	хв. <sup>-1</sup>	500-3600
Діаметр контактної тарілки	мм	180
Розмір шпинделя		M14
Доп. руків'я		D-подібне руків'я
Вага	кг	3,2

## KULLANIM AMACI

STANLEY SP137 polisaj makineniz otomotiv detaylandırmada profesyonel kullanım ve çeşitli yüzeylerin polisaj uygulamaları için tasarlanmıştır. Islak koşullarda veya yanıcı sıvı ya da gazların mevcut olduğu ortamlarda KULLANMAYIN. Bu alet profesyonel kullanım içindir.

## GÜVENLİK TALİMATLARI

Aşağıdaki tanımlar her işaret sözcüğü ciddiyet derecesini gösterir. Lütfen kılavuzu okuyunuz ve bu simgelere dikkat ediniz.



**TEHLİKE:** Engellenmemesi halinde ölüm veya ciddi yaralanma ile sonuçlanabilecek çok yakın bir tehlikeli durumu gösterir.



**UYARI:** Engellenmemesi halinde ölüm veya ciddi yaralanma ile sonuçlanabilecek potansiyel bir tehlikeli durumu gösterir.



**DİKKAT:** Engellenmemesi halinde önemsiz veya orta dereceli yaralanma ile sonuçlanabilecek potansiyel bir tehlikeli durumu gösterir.

**İKAZ:** Engellenmemesi halinde maddi hasara neden olabilecek, yaralanma ile ilişkisi olmayan durumları gösterir.



**Elektrik çarpması riskine işaret eder.**



**Yangın riskini belirtir.**



**UYARI:** Yaralanma riskini azaltmak için, kullanım kılavuzunu okuyun.

## GÜVENLİK TALİMATLARI

### Genel elektrikli alet güvenliği uyarıları



**UYARI! Bu elektrikli alet ile verilen tüm güvenlik uyarıları, talimatlar, resimli açıklamalar ve teknik özellikleri okuyun.** Aşağıda belirtilen tüm talimatların herhangi birisine uyulmaması elektrik çarpması, yangın ve/veya ciddi yaralanma riskine neden olabilir.

Uyarılarda yer alan «elektrikli alet» terimi şebeke elektrifiyle (kablolu) veya akü/pille (şarjlı) çalışan elektrikli aletinizi ifade etmektedir.

### 1. Çalışma alanının güvenliği

- Çalışma alanını temiz ve aydınlık tutun.** Karışık veya karanlık alanlar kazaya davetiye çıkarır.
- Elektrikli aletleri, yanıcı sıvılar, gazlar ve tozların bulunduğu yerler gibi yanıcı ortamlarda çalıştırmayın.** Elektrikli aletler, toz veya dumanları ateşleyebilecek kıvılcımlar çıkarır.
- Bir elektrikli aleti çalıştırırken çocuklardan ve etraftaki kişilerden uzak tutun.** Dikkatinizi dağıtıcı şeyler kontrolü kaybetmenize neden olabilir.

### 2. Elektrikli güvenliği

- Elektrikli aletlerin fişleri prizlere uygun olmalıdır. Fiş üzerinde kesinlikle hiçbir değişiklik yapmayın.** Topraklı elektrikli aletlerde hiçbir adaptör fişi kullanmayın. Değiştirilmemiş fişler ve uygun prizler elektrik çarpması riskini azaltacaktır.
- Borular, radyatörler, ocaklar ve buzdolapları gibi topraklanmamış yüzeylerle vücut temasından kaçının.** Vücudunuzun topraklanması halinde yüksek bir elektrik çarpması riski vardır.
- Elektrikli aletleri yağmura maruz bırakmayın veya ıslatmayın.** Elektrikli alete su girmesi elektrik çarpması riskini arttıracaktır.
- Elektrik kablosunu uygun olmayan amaçlarla kullanmayın.** Elektrikli aleti kesinlikle kablodan tutarak taşımayın, çekmeyin veya prizden çıkartmayın. Kabloyu sıcağın, yağdan, keskin kenarlardan veya hareketli parçalardan uzak tutun. Hasarlı veya dolaşmış kablolar elektrik çarpması riskini artırır.
- Elektrikli bir aleti açık havada çalıştırıyorsanız, açık havada kullanıma uygun bir uzatma kablosu kullanın.** Açık havada kullanıma uygun bir kablodonun kullanılması elektrik çarpması riskini azaltır.
- Eğer bir elektrikli aletin nemli bir bölgede çalıştırılması zorluyorsa, bir artık akım aygıtı (RCD) korumalı bir kaynak kullanın.** Bir RCD kullanılması elektrik şoku riskini azaltır.

### 3. Kişisel güvenlik

- Elektrikli bir aleti kullanırken her zaman dikkatli olun, yaptığınız işe yoğunlaşın ve sağduyulu davranın.** Elektrikli bir aleti yorgunken veya ilaç ya da alkolün etkisi altındayken kullanmayın. Elektrikli aletleri kullanırken bir anlık dikkatsizlik ciddi kişisel yaralanmayla sonuçlanabilir.
- Kişisel koruyucu ekipmanları mutlaka kullanın. Daima koruyucu gözlük takın.** Koşullara uygun toz maskesi, kaymayan güvenlik ayakkabıları, baret veya kulaklık gibi koruyucu donanımların kullanılması kişisel yaralanmaları azaltacaktır.
- İstem dışı çalıştırılmasını önleyin. Aleti güç kaynağına ve/veya aküye bağlamadan, yerden kaldırmadan veya taşımadan önce açma/kapama düğmesinin kapalı konumda olduğundan emin olun.** Aleti, parmağınız tetik üzerinde bulunacak şekilde taşımak veya açık konumdaki elektrikli aletleri elektrik şebekesine bağlamak kazaya davetiye çıkarır.
- Elektrikli aleti açmadan önce tüm ayarlama anahtarlarını çıkartın.** Elektrikli aletin hareketli bir parçasına takılı kalmış bir anahtar kişisel yaralanmaya neden olabilir.
- Ulaşmakta zorlandığınız yerlerde kullanmayın. Daima sağlam ve dengeli basın.** Bu, beklenmedik durumlarda elektrikli aletin daha iyi kontrol edilmesine olanak tanır.

f. **Uygun şekilde giyinin. Bol elbiseler giymeyin ve takı takmayın.** Saçınızı ve elbiselerinizi hareketli parçalardan uzak tutun. Bol elbiseler ve takılar veya uzun saç hareketli parçalara takılabilir.

g. **Eğer kullandığınız üründe toz emme ve toplama özellikleri olan ataşmanlar varsa bunların bağlı olduğundan ve doğru şekilde kullanıldığında emin olun.** Bu toz toplama ataşmanların kullanılması tozla ilgili tehlikeleri azaltabilir.

h. **Aletlerin sık kullanımından edindiğiniz aşinalığın sizi dikkatsiz kılmasına ve alet güvenlik prensiplerini önemsememeye izin vermeyin.** Dikkatsiz bir eylem, bir saniyeden daha az sürede ciddi yaralanmalara neden olabilir.

#### 4. Elektrikli aletlerin kullanımı ve bakımı

a. **Elektrikli aleti zorlamayın. Uygulamanız için doğru elektrikli aleti kullanın.** Doğru elektrikli alet, belirlendiği kapasite ayarında kullanıldığında daha iyi ve güvenli çalışacaktır.

b. **Tetik açmıyor ve kapatıyorsa elektrikli aleti kullanmayın.** Tetikle kontrol edilemeyen tüm elektrikli aletler tehlikelidir ve tamir edilmesi gerekmektedir.

c. **Herhangi bir ayarlama, aksesuar değişimi veya elektrikli aletlerin saklanması öncesinde fişi güç kaynağından çekin ve/veya aküyü elektrikli aletten ayırın.** Bu tür önleyici güvenlik tedbirleri aletin istem dışı olarak çalıştırılması riskini azaltacaktır.

d. **Elektrikli aleti, çocukların ulaşamayacağı yerlerde saklayın ve elektrikli aleti tanımayan veya bu talimatları bilmeyen kişilerin elektrikli aleti kullanmasına izin vermeyin.** Elektrikli aletler, eğitimsiz kullanıcıların elinde tehlikelidir.

e. **Elektrikli aletleri ve aksesuarları iyi durumda muhafaza edin. Hareketli parçalardaki hizalama hatalarını ve tutuklukları, parçalardaki kırılmalar ve elektrikli aletin çalışmasını etkileyebilecek tüm diğer koşulları kontrol edin. Hasarlı ise, elektrikli aleti kullanmadan önce tamir ettirin.** Kazaların çoğu, elektrikli aletlerin bakımının yeterli şekilde yapılmamasından kaynaklanır.

f. **Kesim aletlerini keskin ve temiz tutun.** Bakımı uygun şekilde yapılmış keskin kesim uçlu kesim aletlerinin sıkışma ihtimali daha düşüktür ve kontrol edilmesi daha kolaydır.

g. **Elektrikli aleti, aksesuarlarını ve aletin diğer parçalarını kullanırken bu talimatlara mutlaka uyun ve çalışma ortamının koşullarını ve yapılacak işin ne olduğunu göz önünde bulundurun.** Elektrikli aletin öngörülen işlemler dışındaki işlemler için kullanılması tehlikeli durumlara neden olabilir.

h. **Kolları ve kavrama yüzeylerini kuru, yağsız ve gressiz tutun.** Kaygan kollar ve kavrama yüzeyleri, beklenmeyen durumlarda aletin güvenli bir şekilde taşınması ve kontrol edilmesine izin vermez.

#### 5. Servis

a. **Elektrikli aletinizi, sadece orijinal yedek parçaların kullandığı yetkili servise tamir ettirin.** Bu, elektrikli aletin güvenliğinin muhafaza edilmesini sağlayacaktır.

### BÜTÜN UYGULAMALAR İÇİN GÜVENLİK TALİMATLARI

#### Polisaj uygulamaları için güvenlik talimatları

a. **Bu elektrikli alet bir taşlama makinesi olarak kullanılmak üzere tasarlanmıştır. Bu elektrikli alet ile verilen tüm güvenlik uyarıları, talimatlar, resimli açıklamalar ve teknik özellikleri okuyun.** Aşağıda belirtilen tüm talimatların herhangi birisine uyulmaması elektrik çarpması, yangın ve/veya ciddi yaralanma riskine neden olabilir.

b. **Taşlama, zımparalama, fırçalama veya kesme işlerinin bu elektrikli alet ile yapılması tavsiye edilmez.** Elektrikli aletin tasarlanma amacı dışındaki işlemler tehlike ve kişisel yaralanmalara neden olabilir.

c. **Üretici firma tarafından özel olarak tasarlanmamış ve tavsiye edilmemiş aksesuarları kullanmayın.** Aksesuarın elektrikli aletinize takılabilir olması güvenli bir çalışma temin edeceği anlamına gelmemektedir.

d. **Aksesuarın nominal hızı en az elektrikli alet üzerinde yazan maksimum hıza eşit olmalıdır.** Nominal hızından daha hızlı çalışan aksesuarlar kırılabilir ve etrafa saçılabilir.

e. **Aksesuarınızın dış çapı ve kalınlığı elektrikli aletinizin kapasite oranı içinde olmalıdır.** Yanlış ebatlı aksesuarlar yeterli kadar korunamaz ve kontrol edilemez.

f. **Metrik dişli aksesuarlar taşlamanın mil boyutuna uymalıdır.** Flañşın monte edilen aksesuarların delikleri flañşın geçme çapına uygun uymalıdır. Elektrikli aletin montaj donanımına uymayan aksesuarlar dengesiz çalışır, aşırı titreşim yapar ve kontrolü kaybetmeye neden olabilir.

g. **Hasar görmüş olan bir aksesuarı kullanmayın. Her kullanımdan önce aksesuarları inceleyin, örneğin diski talaş ve çatlaklara karşı, tabanı çatlak, kopma ya da aşırı kullanıma karşı, tel fırçayı gevşek ya da kırık tellere karşı kontrol edin . Elektrikli alet ya da aksesuar düşürülürse, hasar olup olmadığını kontrol edin ya da sağlam aksesuar takın. Aksesuarın incelenmesi ve monte edilmesinden sonra kendinizi ve etraftaki kişileri dönen aksesuarın düzleminde uzakta yerleştirin ve bir dakika boyunca elektrikli aleti boşa ve maksimum hızda çalıştırın.** Bu test süresince hasarlı aksesuarlar normal olarak kırılarak dağılacaktır.

h. **Kişisel koruyucu ekipmanları mutlaka kullanın. Uygulamaya bağlı olarak yüz kalkanı, koruyucu gözlük ya da güvenlik gözlükleri kullanın. Yeri geldiğinde küçük aşındırıcı maddeleri ya da işleme tabi tuvalan parçaları durdurabilen toz maskesi, kulaklık,**

**eldiven ve iş önlüğü giyin. Göz koruması, çeşitli işlemler sonucu açığa çıkan uçan parçacıkları durdurabilmelidir.** Toz maskesi ya da gaz maskesi yaptığınız işlem sonucu açığa çıkan parçacıkları filtreleyebilmelidir. Uzun süreli yüksek şiddetli gürültüye maruz kalınması işitme kaybına neden olabilir.

- i. **Çevrede bulunan şahısları çalışma alanından uzakta güvenli bir mesafede tutun. Çalışma alanına giren şahıslar kişisel koruyucu ekipman giymelidir.** İşleme tabi tutulan parçanın ya da kırık bir aksesuarın parçacıkları fırlatabilir ve çalışma alanının yakın çevresinde yaralanmalara neden olabilir.
- j. **Kesme aksesuarının gizli kabloları veya kendi kablosuna temas edebileceği yerlerde çalışma yaparken elektrikli aleti yalıtımlı kavrama yüzeylerinden tutun.** Kesme aksesuarının «akım taşıyan» bir kabloya temas etmesi durumunda elektrikli aletin metal kısımları da «akım taşıyıcı» hale gelecek ve kullanıcının çarpmasına neden olabilir.
- k. **Kabloyu dönen aksesuardan uzak tutun.** Kontrolü kaybederseniz kablo kesilebilir ya da kopabilir ve eliniz ya da kolunuz dönen aksesuar içine çekilebilir.
- l. **Aksesuar tamamen durmadıkça elektrikli aleti asla yere koymayın.** Dönen aksesuar yüzeyi yakalayabilir ve elektrikli aleti kontrolünüzden çıkarabilir.
- m. **Elektrikli aleti yanınızda taşırken çalıştırmayın.** Kaza ile temas halinde, dönen aksesuar giysinize takılabilir, aksesuarı vücudunuza doğru çekebilir.
- n. **Elektrikli aletin hava çıkışlarını düzenli olarak temizleyin.** Motor fanı, tozu muhafaza içine çeker ve aşırı metal toplanması elektriksiz tehlike yaratabilir.
- o. **Elektrikli aleti yanıcı malzemelerin yakınında çalıştırmayın.** Kıvılcım bu malzemeleri tutuşturabilir.
- p. **Sıvı soğutucu gerektiren aksesuarlar kullanmayın. Su ya da diğer sıvı soğutucuların kullanılması elektrik çarpması ya da şok ile sonuçlanabilir.**

## **BÜTÜN UYGULAMALAR İÇİN EK GÜVENLİK TALİMATLARI**

### **Geri tepme ve ilgili uyarılar**

Geri tepme, sıkışmış veya takılmış bir disk, taban, fırça veya diğer aksesuarlara verilen ani tepkidir. Sıkışma veya takılma dönen aksesuarın aniden durmasına neden olur, bu daha sonra temas noktasında elektrikli aletin kontrolsüzce, aksesuarın dönme yönünün tersine doğru zorlanmasına yol açar.

Örneğin, bir aşındırıcı disk, işleme tabi tutulan parçaya takılır ya da sıkışır; sıkışma noktasına giren disk kenarı malzemenin yüzeyine saplanarak, diskin geri tepmesine ya da fırlamasına neden olabilir. Disk, sıkışma noktasındaki hareket yönüne bağlı olarak ya kullanıcıya doğru ya da kullanıcıdan uzağa

fırlatabilir. Aşındırıcı diskler bu koşullar altında kırılabilir.

Geri tepme, aletin yanlış kullanılmasından ve/veya yanlış çalıştırma işlemleri veya koşullarından kaynaklanır ve aşağıda da belirtilen uygun tedbirler alınarak önenebilir:

- a. **Elektrikli aleti sıkıca tutun, vücudunuzu ve kolunuzu geri tepme gücüne karşı koyacak şekilde konumlandırın. Geri tepmeye ya da çalıştırma sırasındaki döndürme momenti tepkisine karşı maksimum kontrol sağlamak için eğer varsa yan tutma kolunu kullanın.** Doğru önlemler alınırsa döndürme momenti tepkileri ya da geri tepmeler kullanıcı tarafından kontrol edilebilir.
- b. **Döner aksesuar civarına asla elinizi sokmayın.** Aksesuar elinizde geri tepme etkisi yapabilir.
- c. **Geri tepmenin meydana gelmesi durumunda vücudunuzu elektrikli aletin hareket edeceği alanda bulundurmayın.** Geri tepme hareketi aleti takılma noktasında disk hareketine ters yönde itecektir.
- d. **Köşe, keskin kenarlar vb. yerlerle çalışırken özellikle dikkatli olun. Aksesuarın sekmesinden ve takılmasından kaçının.** Köşeler, keskin kenarlar ya da sektirme hareketi döner aksesuarı engelleme eğilimindedir ve kontrolün kaybedilmesine ya da geri tepmeye neden olabilir.
- e. **Zincirli testere zinciri, ahşap oyma bıçağı ya da dişli daire/gönye testere bıçağı takmayın.** Bu tür bıçaklar sık sık geri tepme ve kontrol kaybı oluşturur.

## **POLİSAJ UYGULAMALARINA İLAVE GÜVENLİK UYARILARI**

### **Polisaj uygulamalarına özel ilave güvenlik uyarıları**

- a. **Polisaj bonesinin sarkan kısımlarının ya da bağlantı iplerinin serbestçe dönmesine izin vermeyin. Sarkan bağlantı iplerini bonenin içine sokun ya da kesin. Sarkan veya dönen bağlantı ipleri parmaklarınıza dolanabilir veya çalışma malzemesine takılabilir.**
- b. **Kayganlaştırma yağı eklerken ve aksesuarları değiştirirken lütfen bu kılavuzdaki talimatları izleyin.**
- c. **Kol kuru ve yağsız tutulmalıdır.**

## **ÖZEL EK GÜVENLİK TALİMATLARI**



**UYARI!** Polisaj makineleri için güvenlik talimatları

- a. **Daima koruyucu gözlük takın.** Tüm kullanıcılar ve etraftaki kişiler ANSI Z87.1'e uygun koruyucu gözlük kullanmalıdır.
- b. **Aleti sık sık, özellikle yoğun kullanımdan sonra temizleyin.** Metal içeren toz ve parçacıklar sık sık iç yüzeylerde birikir ve elektrik şoku tehlikesine neden olabilir.



- c. **Bu aleti uzun süre çalıştırmayın.** Çalışma hareketinin neden olduğu titreşim parmak, el ve kollarda kalıcı yaralanmaya neden olabilir. Fazladan koruma sağlamak için eldiven kullanın, sık sık dinlenin ve günlük kullanma zamanını sınırlayın.
- d. **Havalandırma delikleri genellikle hareketli parçaları kaplar ve bunlardan kaçınılmalıdır.** Bol elbiseler ve takılar veya uzun saç hareketli parçalara takılabilir.



**UYARI:** HER ZAMAN koruyucu gözlük takın. Gündelik gözlük koruyucu gözlük DEĞİLDİR. Kesim sırasında fazla toz oluşuyorsa yüz veya toz maskesini takın. DAİMA SERTİFİKALI KORUYUCU EKİPMANLARINI KULLANIN.



**UYARI:** Kullanım sırasında daima ANSI S12.6 (S3.19) ile uyumlu koruyucu kulaklık kullanın. Bazı koşullarda ve kullanım süresine göre bu aletin gürültüsü işitme kaybına neden olabilir.



**UYARI:** Bu aletin kullanılması ciddi ve kalıcı solunum problemlerine veya diğer yaralanmalara neden olabilen toz üretebilir ve/veya etrafa dağıtabilir. Her zaman NIOSH / OSHA tarafından onaylı toz maruziyeti için uygun bir solunum korumasını kullanın. Yüzünüzü ve vücudunuzu uçan parçacıklardan uzakta tutun.



**DİKKAT:** Köşelerde çalışırken ekstra özen gösterin - disk veya diğer aksesuar ikincil bir yüzeye veya yüzey kenarına temas ettiğinde polisaj makinesi ani ve keskin bir hareket yapabilir.

#### Ek güvenlik talimatları



**UYARI:** Alet, 30mA akımı aşmayan akım kesici cihazla beraber kullanılmaya tavsiye edilir.

#### Diğer kişilerin güvenliği

- Bu alet fiziksel ve zihinsel kapasitesinin yanı sıra algılama gücü azalmış olan veya yeterince deneyim ve bilgisi bulunmayan kişiler (çocuklar dahil) tarafından kullanılmak üzere üretilmemiştir. Bu tür kişileri aleti ancak güvenliklerinden sorumlu bir kişi tarafından cihazın kullanımıyla ilgili talimatların verilmesi veya sürekli kontrol altında tutulması durumunda kullanabilir.
- Çocuklar, aletle oynamalarını önlemek amacıyla kontrol altında tutulmalıdır.

#### Diğer tehlikeler

Emniyet tedbirlerini düzenleyen yönetmeliğin uygulanmasına ve emniyet sağlayıcı aygıtların kullanılmasına rağmen, başka belirli risklerden kaçınılamaz. Bunlar:

- Duyuma bozukluğu
- Sıçrayan parçacıklardan kaynaklanan yaralanma riski.
- Çalışma sırasında ısınan aksesuarlardan kaynaklanan yanık tehlikesi.

- Uzun süreli kullanımdan kaynaklanan yaralanma riski.
- Tehlikeli maddeler içeren tozun oluşması riski.

#### ELEKTRİK GÜVENLİĞİ



Bu alet çift yalıtımlıdır. Bu yüzden hiçbir topraklama kablosuna gerek yoktur. Her zaman şebeke geriliminin aletin üretim etiketinde belirlenmiş değerlere uyup uymadığını kontrol edin.



**UYARI!** Elektrik kablosu hasarlı ise, bir tehlike oluşmasını önlemek için üretici ya da yetkili STANLEY Servis Merkezi tarafından değiştirilmelidir. Elektrik kablosu STANLEY yetkili servisi haricinde değiştirilirse, garanti geçerli olmayacaktır.

#### UZATMA KABLOLARININ KULLANIMI

Bir uzatma kablosu gerekli ise, bu aletin elektrik girişine uygun (Teknik Özellikleri bölümüne bakın), onaylı bir 3 telli uzatma kablo kullanın. Minimum iletken boyutu 1,5 mm<sup>2</sup>'dir; maksimum uzunluk 30 m'dir. Bir kablo makarası kullanırken, kabloyu daima sonuna kadar açın.







İletken boyutu (mm <sup>2</sup> ) Kablo gücü (Amper)	İletken boyutu (mm <sup>2</sup> ) Kablo gücü (Amper)
0.75	6
1.00	10
1.50	15
2.50	20
4.00	25

Kablo uzunluğu (m)						
	7.5	15	25	30	45	60

Voltaj	Amper	Kablo gücü (Amper)					
		6	6	6	6	6	10
110-127	0 - 2.0	6	6	6	6	6	10
	2.1 - 3.4	6	6	6	6	15	15
	3.5 - 5.0	6	6	10	15	20	20
	5.1 - 7.0	10	10	15	20	20	25
	7.1 - 12.0	15	15	20	25	25	-
220-240	12.1 - 20.0	20	20	25	-	-	-
	0 - 2.0	6	6	6	6	6	6
	2.1 - 3.4	6	6	6	6	6	6
	3.5 - 5.0	6	6	6	6	10	15
	5.1 - 7.0	10	10	10	10	15	15
	7.1 - 12.0	15	15	15	15	20	20
	12.1 - 20.0	20	20	20	20	25	-

**ALET ÜZERİNDEKİ ETİKETLER**

Aletin etiketinde aşağıdaki semboller bulunabilir:

	<b>UYARI!</b> Yaralanma riskini en aza indirmek için kullanıcı kullanım talimatlarını mutlaka okumalıdır.		
	Koruyucu gözlük takın.		
	Kulaklık takın.		
	Toz maskesi takın.		
V	Volt		Doğru akım
A	Amper	$n_0$	Yüksüz hızı
Hz	Hertz		Çift yalıtım
W	Watt		Topraklı terminal
min	dakikalar		Güvenlik uyarı sembolü
	Dalgalı akım	/min.	Dakikada devir veya darbe sayısı

**Tarih kodu konumu**

İmalat yılını da içeren Tarih Kodu gövdeye basılıdır.

Örnek:

2017 XX JN  
İmalat Yılı

**AMBALAJ, AŞAĞIDAKİ PARÇALARI İÇERMEKTEDİR**

- 1 Polisaj makinesi
- 1 Cırt cırt taban
- 1 Cırt cırt yün bone
- 1 Kullanım kılavuzu
- 1 Garanti kartı

- Alette, parçalarda veya aksesuarlarda nakliye sırasında meydana gelmiş olabilecek hasarı kontrol edin.
- Aleti çalıştırmadan önce, bu kullanım kılavuzunu baştan sonra okuyup anlamak için gerekli zamanı ayırın.

**ÖZELLİKLER (ŞEKİL A)**

**UYARI!** Hiçbir zaman elektrikli aleti veya herhangi bir parçasını değiştirmeyin. Hasarla veya yaralanmayla sonuçlanabilir.

1. Hız kontrol kadranı
2. 1 Cırt cırt taban
3. Açma/kapama tetik düğmesi
4. Kömür kapağı
5. Mil kilidi düğmesi
6. Kesintisiz çalıştırma düğmesi
7. D-sap
8. Cırt cırt bone
9. Mil

**MONTAJ**

**UYARI!** Ciddi yaralanma riskini azaltmak için herhangi bir ayar yapmadan ya da parça veya aksesuarları söküp takmadan önce aleti kapatın ve güç kaynağından ayırın. Aleti yeniden bağlamadan önce aletin kapalı olduğundan emin olmak için tetiğe basıp bırakın. Aletin yanlışlıkla çalıştırılması yaralanmaya neden olabilir.

**Hız kontrol kadranı (Şekil A)**

Aletinizin maksimum hızı, hız kontrol kadranını (1) istenen ayara döndürerek değiştirilebilir. Kadran, yanlışlıkla kadranın hareketini önlemek ve hız seçimini kolaylaştırmak için tutucular içerir. Daha çok yönlü kullanım için, açma/kapama tetik düğmesi tamamen açık konumunda kilitlenebilir ve sadece hız kontrol kadranını (1) kullanarak aletin hızı değiştirilebilir.

Elektronik hız kontrolü sadece işe uygun olan hızı seçmenize değil, aynı zamanda alet aşağı doğru bastırıldığında da tutarlı hızın korunmasına yardımcı olur.

Hız kontrol kadranı (1), 500 ve 3600 dev/dak. arasındaki herhangi bir hız için 1. seviyeden MAKS. seviyesine kadar ayarlanabilir.

**Mil kilidi düğmesi (Şekil B)**

**UYARI!** Ciddi yaralanma riskini azaltmak için herhangi bir ayar yapmadan ya da parça veya aksesuarları söküp takmadan önce aleti kapatın ve güç kaynağından ayırın. Aleti yeniden bağlamadan önce aletin kapalı olduğundan emin olmak için tetiğe basıp bırakın. Aleti tabanı takarken ya da sökerken milin dönmesini önlemek için, aletin vites kutusundaki bir mil kilidi düğmesi sağlanmıştır. Mili kilitlemek için mil kilit düğmesine basın ve basılı tutun. **ALET ÇALIŞIRKEN VEYA YÜK ALTINDAYKEN MİL KİLİT DÜĞMESİNE ASLA BASMAYIN.**

**KULLANIM**

**UYARI!** Ciddi yaralanma riskini azaltmak için herhangi bir ayar yapmadan ya da parça veya aksesuarları söküp takmadan önce aleti kapatın ve güç kaynağından ayırın. Aleti yeniden bağlamadan önce aletin kapalı olduğundan emin olmak için tetiğe basıp bırakın.

## Polisaj tabanlarının takılması ve çıkartılması (Şekil B)



**UYARI!** Ciddi kişisel yaralanma riskini azaltmak için, polisaj tabanlarında gevşek bir kısmın kalmasına izin vermeyin.

Tabanı (2) mil (9) üzerine yerleştirin ve mil kilit düğmesine (5) basarak tabanı elle sabitleyin. Tabanı ters yönde çevirerek sabitleyin.

SP137 ile cırt cırt boneler veya bağlama ipli boneler kullanılır. Cırt cırt boneler direk tabana(2) takılır ve çıkartılabilir, ancak bonenin taban üzerinde ortalanmasına dikkat ediniz.

Bağlanma ipleri olan boneleri takarken, bonenin gevşek bir kısmının veya iplerinin serbestçe dönmemesini sağlayın. Sarkan bağlanma iplerini bonenin içine sokun ya da kesin. Sarkan veya dönen bağlantı ipleri parmaklarınıza dolanabilir veya çalışma malzemesine takılabilir.

### Polisaj

Bu talimatlar ve öneriler, genel elektrikli polisaj işlemini yeni kullanıcıları tanımak içindir. Elektrikli polisajı öğrenirken işi daha kolay ve daha hızlı hale getirecek kendi tekniklerinizi geliştireceksiniz.

- Keskin nesnelerin veya araba gövdesinin kıvrımlarının etrafını veya üstünü polisaj ederken çok dikkatli olmalısınız. Bir araba gövdesinin çeşitli bölümlerini polisaj ederken doğru baskını kullanmak çok önemlidir. Örneğin, gövde panellerinin keskin kenarlarından veya üst kısmındaki yağmur oluğunun kenarlarından polisaj ederken hafif baskın uygulanmalıdır.
- Herkes aynı tip elektrikli polisaj makinesi kullanmadığından, öncelikle arabanın düz bir alanı üzerinde bir deney bölümü temizlemenizi ve polisaj işi uygulamanızı öneririz. Bu deney bölümünden, elektrikli polisaj makinesinizin gücünü veya temizleme hareketini değerlendirebilirsiniz.
- Unutmayın, tüm elektrikli polisaj makineleri aynı değildir. Farklı markalar, çeşitli boyalı yüzeylerde farklı tepkiler gösterirler. Ayrıca, şimdi değişken hız ayarlı bir elektrikli polisaj makinesini kullanıyorsanız, Bu, daha önce yapmış olabileceğiniz tüm el uygulamalarından tamamen farklıdır. Polisaj etmeden önce arabayı yıkayınız. Yıkama, aşındırıcı ve boyaya zarar verebilecek gevşek kir, pislik, yol tuzu vb. yok eder. Gevşek kir, vb. ayrıca polisaj tabanını tıkayacaktır ve daha sık temizlemeniz gerekecektir.
- Aleti açmadan önce aletin kollarını kavrayın ve aleti kaldırın. Aleti vücudunuzdan uzak tutun ve tetik düğmesine basın. Kolları sıkı bir şekilde tuttuğunuzdan emin olun ve aleti zorla ve gereksiz baskı olmadan serbestçe çalıştırın. Yan kol, sol ve sağ elini kullanan kullanıcılar uygun olması için aletin herhengi bir tarafından takılabilir.

**NOT:** Polisaj bonesinin bir arabanın yüzeyine yüksek hızlı sürtünme hareketi aletin metal kısımları üzerinde statik bir yük oluşturabilir. Bu, aletin metal

alanına dokunulduğunda çok kısa bir hafif elektrik çarpması hissine yol açabilir ve nemin düşük olduğu günlerde daha belirgin olacaktır. Bu zararsız bir olay, ancak aleti hiçbir elektriksiz arıza olmadığından emin olmak için aleti kontrol edilebileceği STANLEY servis merkezine getirebilirsiniz.

### BAKIM

STANLEY elektrikli aletinin minimum bakımla uzun bir süre çalışacak şekilde tasarlanmıştır. Kesintisiz olarak memnuniyet verici bir şekilde çalışması gerekli özenin gösterilmesine ve düzenli temizliğe bağlıdır.

- Aletinizdeki havalandırma deliklerini yumuşak bir fırça veya kuru bir bezle düzenli olarak temizleyin.
- Motor muhafazasını düzenli olarak nemli bir bezle silin. Aşındırıcı veya çözücü bazlı temizleyiciler kullanmayın. Bu aletin servisi kullanıcı tarafından yapılamaz. Bir sorun çıkarsa, yetkili servisiyle temasa geçin.



### Yağlama

Elektrikli aletinin ek bir yağlama gerektirmemektedir.



### Temizleme



**UYARI:** Havalandırma deliklerinde ve etrafında toz toplanması halinde bu tozu ve kiri kuru hava kullanarak ana gövdeden uzaklaştırın. Bu işlemi gerçekleştirirken onaylı bir göz koruması ve onaylı toz maskesi takın.



**UYARI:** Aletin metalik olmayan parçalarını temizlemek için asla çözücü veya başka sert kimyasal kullanmayın. Bu kimyasallar bu parçalarda kullanılan malzemeleri güçsüzleştirir. Yalnızca su ve yumuşak sabunla nemlendirilmiş bir bez kullanın. Aletin içine sıvı kaçmasına kesinlikle izin vermeyin; aletin herhangi bir parçasını bir sıvı içine daldırmayın. Alet EMNİYET GÜVENLİĞİ ve GÜVENİLİRLİK için motor kömürünün kontrol edilmesi ve değiştirilmesi dahil olarak tamir, bakım ve ayarlamaların her zaman orijinal Stanley yedek parça kullanılarak, STANLEY yetkili servisler tarafından yapılması gerekmektedir.

### İLAVE AKSESUARLAR



**UYARI:** STANLEY tarafından tedarik veya tavsiye edilenlerin dışındaki aksesuarlar bu ürün üzerinde test edilmediğinden, söz konusu aksesuarların bu aletle birlikte kullanılması tehlikeli olabilir. Yaralanma riskini azaltmak için bu ürünle birlikte sadece STANLEY tarafından tavsiye edilen aksesuarlar kullanılmalıdır.

Uygun aksesuarlarla ilgili daha ayrıntılı bilgi için bayiinize danışın.

**ÇEVRENİN KORUNMASI**

Ayrı olarak atın. Bu ürün, normal evsel atıklarla birlikte atılmamalıdır.

STANLEY ürününüzün değiştirilmesi gerektiğini düşünmeniz veya artık kullanılamaz durumda olması halinde onu, evsel atıklarla birlikte atmayın. Bu ürünü, ayrı olarak toplanacak şekilde atın.



STANLEY, hizmet ömrünün sonuna ulaşan STANLEY ürünlerinin toplanması ve geri dönüşüme sokulması için bir imkân sunmaktadır. Bu hizmetin avantajlarından faydalanmak için, lütfen, ürününüzü bizim adımıza teslim alacak herhangi bir yetkili servise iade edin.

Bu kılavuzda belirtilen listeden size en yakın STANLEY yetkili tamir servisinin yerini öğrenebilirsiniz. Ya da, alternatif olarak internet'ten STANLEY yetkili tamir servislerinin listesini ve satış sonrası hizmetlerimizle ilgili tüm bilgiler ve temas bilgilerine aşağıdaki siteden ulaşabilirsiniz. [www.2helpU.com](http://www.2helpU.com)

**NOTLAR**

STANLEY olarak, ürünlerimizi sürekli iyileştirme politikası uyguladığımızdan, önceden haber vermeden ürün özelliklerini değiştirme hakkını saklı tutarız. Standart ekipman ve aksesuarlar ülkeye göre değişebilir. Ürün özellikleri ülkelere göre farklı olabilir. Komple ürün çeşidi tüm ülkelerde geçerli olmayabilir. Ürün çeşidi durumu hakkında lütfen en yakın STANLEY yetkili servisiyle temas kurun

**SERVİS BİLGİLERİ**

STANLEY, kendisine ait ve yetkili servisler ile tam bir servis ağı sunmaktadır. Tüm STANLEY Servis Merkezleri müşterilere etkili ve güvenilir elektrikli el aleti hizmeti sunmak için eğitimli personel ile donatılmıştır. Yetkili servis merkezlerimiz hakkında daha fazla bilgi almak istiyorsanız veya teknik danışmanlık, onarım ya da orijinal fabrika yedek parçası ihtiyacınız varsa, size en yakın STANLEY satış noktasına başvurun.

**TEKNİK ÖZELLİKLERİ**

POLİSAJ MAKİNESİ		SP137
Voltaj	$V_{AC}$	220~240
Frekans	Hz	50-60
Giriş gücü	W	1300
Nominal hız	dev/dak.	500-3600
Taban çapı	mm	180
Mil boyutu		M14
Ek sap		D-sap
Ağırlık	kg	3.2

**Level of sound pressure according to EN 62841:**

Ses basıncı ( $L_{pA}$ )	dB(A)	86.6
belirsizlik ( $K_{pA}$ )	dB(A)	3
Akustik güç ( $L_{WA}$ )	dB(A)	97.6
belirsizlik ( $K_{WA}$ )	dB(A)	3

**Vibration emission value ah:**

(ah) =	$m/s^2$	4.4
belirsizlik (K) =	$m/s^2$	1.5

**TİTREŞİM**

Teknik veriler ve uygunluk beyanati içerisinde belirtilen titreşim emisyon değerleri EN62841 tarafından belirlenen standart bir test yöntemine uygun olarak ölçülmektedir ve diğer bir aletle karşılaştırma yaparken kullanılabilir. Beyan edilen titreşim emisyon değeri aynı zamanda maruz kalmanın önceden değerlendirilmesinde de kullanılabilir



**UYARI!** Elektrikli aletin mevcut kullanımı sırasındaki titreşim emisyon değeri, aletin kullanım yöntemine bağlı olarak, beyan edilen değere göre farklılık sergileyebilir. Titreşim düzeyi belirlenen seviyenin üzerinde artış gösterebilir."

İşyerinde düzenli olarak elektrikli alet kullanan çalışanları korumak amacıyla 2002/44/EC tarafından getirilen elektrik güvenliği önlemlerini belirlemek üzere titreşime maruz kalmayı değerlendirirken, çalışma döngüsü içerisinde örneğin aletin kapalı olduğu ve aktif durumda olmasının yanı sıra boşta çalıştığı zamanlar gibi, bütün zaman dilimleri dahil olmak üzere mevcut kullanım durumu ve aletin kullanım şekli göz önünde bulundurularak değerlendirilmelidir.

## AT Uygunluk Beyanatı MAKİNE DİREKTİFİ



### SP137 - polisaj

STANLEY, «teknik özellikleri» bölümünde açıklanan bu ürünlerin aşağıda belirtilen yönergelere uygun olduğunu beyan eder: 2006/42/EC, EN 60745-1:2009 + A11:2010, EN 60745-2-3:2011+ A2:2013 + A11:2014 + A12:2014 + A13:2015

Bu ürünler ayrıca 2014/30/EU ve 2011/65/EU Direktiflerine de uygundur.

Daha fazla bilgi için, lütfen aşağıdaki adresten STANLEY ile irtibata geçin veya kılavuzun arkasına bakın. Bu belge altında imzası bulunan yetkili, teknik dosyanın derlenmesinden sorumludur ve bu beyanı STANLEY adına vermiştir.

### R.Laverick

Mühendislik Bölümü Müdürü  
STANLEY Europe, Egide Walschaertsstraat 14-18,  
2800 Mechelen, Belçika  
06.2018

## İKİ YILLIK GARANTİ

Sahip olduğunuz STANLEY ürünü satın alma tarihinden itibaren 24 ay içinde hatalı malzeme veya işçilik nedeniyle bozulursa, STANLEY aşağıdaki şartlara uyulması koşuluyla ücretsiz olarak tüm kusurlu parçaların yenilenmesini veya -kendi inisiyatifine bağlı olarak- satın alınan ürünün değiştirilmesini garanti eder:

- Ürün, hatalı kullanılmamış kullanım kılavuzuna uygun kullanılmıştır;
- Ürün yıpranmamış, hırpalanmamış ve aşınmamıştır;
- Yetkili olmayan kişilerce tamire çalışılmamıştır;
- Satın alma belgesi (fatura) ibraz edilmiştir;
- STANLEY ürünü, tüm orijinal parçaları ile birlikte iade edilmiştir;
- Ürün kiraya verilmemiştir.

Garanti talebinde bulunmak için, lütfen satıcıyla irtibata geçin veya STANLEY katalogunda belirtilen size en yakın STANLEY yetkili satıcı adresini kontrol edin veya ürünün kılavuzunda belirtilen adresteki yerel STANLEY yetkili tamir servisi ile temas kurun. İnternet'ten Stanley yetkili tamir servislerinin listesine ve satış sonrası hizmetlerimizle ilgili tüm bilgilerine aşağıdaki siteden ulaşabilirsiniz: [www.2helpU.com](http://www.2helpU.com)

Sanayi ve Ticaret Bakanlığı tebliğince kullanım ömrü 7 yıldır.

Türkiye Distribütörü

**STANLEY BLACK&DECKER TURKEY ALET URETİM  
SAN. TIC. LTD.STI. AND Kozyatağı**

İçerenköy Mahallesi Umut Sokak

No:10-12 Kat :19 Ataşehir / İstanbul

Tel : (0216) 665 29 00

Faks : (0216) 665 29 01

E-posta: [info-tr@sbdinc.com](mailto:info-tr@sbdinc.com)

البيانات الفنية		
الملمع	SP137	
الجهد الكهربائي	فولت	220~240
التردد	Hz	50-60
دخل الطاقة	W	1300
السرعة المقدرة	دقيقة <sup>1</sup>	500-3600
قطر الوسادة	ملم	180
مقاس محور الدوران		M14
المقبض المساعد	مقبض على شكل حرف D	
الوزن	كجم	3.2

## ضمان لمدة سنتين

إذا تلف منتج STANLEY الخاص بك بسبب عيب في المواد أو جودة الصنع وذلك أثناء 24 شهر من تاريخ الشراء، فإن شركة STANLEY تضمن استبدال كل الأجزاء المعيبة دون مقابل أو - وفقًا لتقديرنا - استبدال الوحدة بدون مقابل بشرط أن:

- عدم إساءة استخدام المنتج واستخدامه وفقًا لتعليمات الدليل؛
- خضوع المنتج للاستهلاك العادل؛
- عدم قيام أفراد غير معتمدين بالتصليح؛
- تم إصدار دليل شراء؛
- تم إرجاع منتج STANLEY كاملاً مع كل المحتويات الأصلية؛
- لم يتم استخدام المنتج في أغراض التأجير.

إذا رغبت في عمل شكوى، اتصل ببائعك أو تحقق من مكان أقرب وكيل إصلاح STANLEY معتمد بالقرب منك

STANLEY معتمد بالقرب منك في دليل STANLEY أو اتصل بمكتب STANLEY المحلي لديك على العنوان المبين في هذا الدليل. تتوفر قائمة بوكلاء الصيانة المعتمدين التابعين لشركة STANLEY والتفاصيل الكاملة لخدمات ما بعد البيع على الإنترنت على

[www.2helpU.com](http://www.2helpU.com)

الإصابة، يجب استخدام الملحقات الموصى بها من قبل STANLEY فقط مع هذا المنتج.

راجع بائع التجزئة لديك لمزيد من المعلومات عن الملحقات المناسبة.

### حماية البيئة

الجمع المنفصل. يلزم عدم التخلص من هذا المنتج مع القمامة المنزلية العادية.



إذا لزم في يوم ما استبدال منتج STANLEY الخاص بك، أو إذا لم تعد تستخدمه، فلا تتخلص منه مع القمامة المنزلية الأخرى. اجعل هذا المنتج جاهزاً لعملية جمع المخلفات وفرزها.

توفر STANLEY التسهيلات لاستلام وإعادة تصنيع منتجات STANLEY عندما تصل إلى نهاية حياتها العملية. للاستفادة من هذه الخدمة، يُرجى إعادة منتجك لوكيل الصيانة المعتمد وسوف يستلمها بالنيابة عنك.



يمكنك التعرف على موقع أقرب وكيل صيانة معتمد عبر الاتصال بمتك STANLEY المحلي لديك على العنوان الموضح في هذا الدليل. وبدلاً من ذلك، توجد قائمة بوكلاء الصيانة المعتمدين التابعين لشركة STANLEY والتفاصيل الكاملة لخدمات ما بعد البيع ووسائل الاتصال على الإنترنت على: [www.2helpU.com](http://www.2helpU.com).

### ملاحظات

تعتمد سياسة شركة STANLEY على التحسين المستمر لمنتجاتنا، ومن ثم فإننا نحتفظ بحق إجراء أي تعديلات على خصائص المنتج بدون إشعار مسبق. يمكن أن تتباين التجهيزات والملحقات القياسية من بلد لآخر. ويمكن أن تتباين مواصفات المنتج من بلد لآخر. يمكن ألا تتوفر المجموعة الكاملة للمنتج في كل البلدان. اتصل بوكيل STANLEY المحلي لديك للتحقق من نطاق التوفر.

### معلومات الخدمة

توفر شركة STANLEY شبكة كاملة من مراكز الصيانة المملوكة للشركة وكذلك المعتمدة. لدى كل مراكز صيانة STANLEY فرق عمل مدربة لإمداد العملاء بخدمة فعالة ومعتمدة للأدوات الكهربائية. للحصول على مزيد من المعلومات حول مراكز الخدمة المعتمدة وإذا كنت بحاجة إلى المشورة الفنية أو الإصلاح أو قطع غيار أصلية من المصنع فاتصل بأقرب وكيل STANLEY لديك.

أنك تمسك المقبض بحزم وأن تشغيل الأداة بحرية بدون بذل أي جهد جبري أو ضغط غير ضروري. يمكن تغيير المقبض الجانبي للجانِب الآخر من الأداة لتنفيذ العمليات باليد اليمنى أو اليسرى.

**ملاحظة:** يمكن أن تسبب حركة الفك عالية السرعة الخاصة بقلنسوة التلميع على سطح السيارة في توليد شحنة استاتيكية على الأجزاء المعدنية للأداة. وقد يؤدي هذا إلى الإحساس بصدمة كهربائية خفيفة جداً عند ملامسة المنطقة المعدنية للأداة، وستكون ملموسة أكثر في الأيام التي تقل فيها الرطوبة. وتُعتبر هذه ظاهرة غير ضارة ولكن يمكنك أن تذهب بالأداة إلى مركز خدمة STANLEY حيث يمكن فحصها للتأكد من عدم وجود عطل كهربائي.

### الصيانة

تم تصميم الأداة الكهربائية من STANLEY لكي تعمر لفترة طويلة بأقل قدر من الحاجة للصيانة. ويعتمد استمرار الآلة في أداء عملها على النحو المرضي على العناية المناسبة والتنظيف المنتظم.

- استخدم فرشاة ناعمة أو قطعة قماش جافة لتنظيف فتحة تهوية الأداة بانتظام.
- نظف مبيت المحرك بانتظام باستخدام قطعة قماش مبللة. لا تستخدم المنظفات الكاشطة أو المذيبة. لا يمكن صيانة هذا الجهاز بواسطة المستخدم. فإذا حدثت أي مشكلات، يجب الاتصال بوكيل إصلاح معتمد.

### التشحيم



لا تحتاج الأداة الكهربائية إلى تشحيم إضافي.

### التنظيف



**تحذير:** تخلص من الأوساخ والأتربة المتراكمة بالعلبة الرئيسية عن طريق استخدام الهواء الجاف كلما رأيت التراب قد تجمع في فتحات التهوية وحولها. أثناء القيام بهذا الإجراء، ارتدِ واقي للعين معتمد مع فناع معتمد للوقاية من التراب.

**تحذير:** لا تستخدم مطلقاً المذيبات أو المواد الكيماوية القوية الأخرى لتنظيف الأجزاء غير المعدنية في الأداة. يمكن أن تسبب تلك المواد الكيماوية في إضعاف المواد المستخدمة في هذه الأجزاء. استخدم قطعة قماش رطبة مع ماء وصابون خفيف.

لا تترك أي سوائل تتسرب إلى داخل الأداة؛ ولا تغمر أي جزء من أجزاء الأداة في السائل. للمحافظة على سلامة المنتجات وموثوقيتها في العمل، يجب إجراء جميع عمليات الإصلاح وفحص فرشاة الكربون والاستبدال وأي عمليات صيانة أو تعديل بواسطة مراكز خدمة STANLEY، وباستخدام قطع الغيار المعتمدة من STANLEY فقط.

### ملحقات

**تحذير:** بما أن أي ملحقات أخرى غير تلك المقدمة من قبل STANLEY لم تُختبر مع هذا المنتج، فإن استخدامها قد يكون خطراً للغاية. وللحد من خطر



الاستخدام



تحذير! للحد من مخاطر الإصابة الجسدية الخطيرة، أوقف تشغيل الأداة وافصل الأداة من مصدر الطاقة قبل إجراء أي تعديلات أو إزالة/تركيب الملحقات أو الكماليات. قبل إعادة توصيل الأداة، اضغط وحرر مفتاح التشغيل للتأكد من أن الأداة متوقفة بالفعل.

تركيب وإزالة وسائد التلميع (الشكل B)



تحذير! لتقليل خطر الإصابة الشخصية الجسيمة، لا تترك أي جزء مرتخي في وسائد التلميع.

ركب وسادة التدعيم (2) في محور الدوران (9)، واربطها يدويًا بينما تضغط على زر قف محور الدوران (5)؛ أوقف الوسادة في الاتجاه المعاكس.

يمكن استخدام قلنسوات فيلكرو وقلنسوات مع الطراز SP137. يمكن تركيب قلنسوة فيلكرو وإزالتها من وسادة التدعيم (2) مباشرة، مع الحرص على توسيط القلنسوات مع الوسادة.

مع اعتبار أن القلنسوات بالأربطة قد رُكبت، تأكد من عدم وجود أي جزء مرتخي في الوسائد أو في الأربطة المرفقة بها حتى يمكن الدوران بحرية. قم بتشذيب أو قطع أية أربطة مرفقة مرتخية. فالأربطة المرفقة المرترخية أو الملتفة يمكن أن تتشابك مع أصابعك أو تتعثر مع قطعة الشغل.

التلميع

تهدف هذه التعليمات والاقتراحات إلى تعويد المشغلين الجدد على التشغيل العام للتلميع الآلي. سوف تطور تقنيات الخاصة بك والتي ستجعل العمل أسهل وأسرع أثناء تعلمك للتلميع الآلي.

- يجب عليك توخي أقصى الحذر عند التلميع الآلي حول أو فوق أشياء حادة ومنحنيات جسم السيارة. من الأهمية بمكان استخدام الضغط الصحيح أثناء تلميع قطاعات عديدة من جسم السيارة. على سبيل المثال، يجب تطبيق الضغط الخفيف عند التلميع فوق حواف حادة من ألواح الهيكل أو فوق حواف مجرى المطر بطول قمة السيارة.
- نظرًا لأن الجميع لا يستخدم نفس نوع التلميع الآلي، فإننا ننصحك بتنظيف وتلميع قطاع اختبار على منطقة مسطحة من السيارة أولاً. واستناداً لقطاع الاختبار هذا، يمكنك الحكم على حركة القوة والنظافة الخاصة بالتلميع الآلي.
- تذكر، ليست كل أنواع التلميع الآلي سواء. تتفاعل العلامات التجارية بشكل مختلف على مختلف الأسطح المطلية. كذلك، أنت الآن تستخدم ملمع آلي مع إعداد سرعة متغيرة. وهذا يختلف تمامًا عن أي تطبيق يدوي قد يكون قمت به من قبل. اغسل السيارة قبل تلميعها آليًا. سوف يزيل الغسيل الأوساخ السائبة والزبد وملح الطريق إلخ، والتي من الممكن أن تكون عامل جلع وتلف الطلاء. سوف تتسبب كذلك الأوساخ السائبة وغيرها في انسداد وسادة التلميع وستضطر إلى تنظيفها بكثرة.
- بدون تشغيل الأداة، أمسك مقابض الأداة وارفعها لأعلى. أبقي الأداة بعيدًا عن جسمك واضغط على مفتاح الزناد. تأكد من

الخصائص (الشكل A)



تحذير: يحظر تعديل الأداة الكهربائية أو أي جزء منها. فقد تتعرض الأداة للتلف أو تتسبب في وقوع إصابة جسدية.

1. عجلة التحكم في السرعة
2. وسائد دعم فيلكرو
3. مفتاح الزناد
4. غطاء الفرشاة
5. زر قفل محور الدوران
6. زر تثبيت وضع التشغيل
7. مقبض على شكل حرف D
8. قلنسوة فيلكرو
9. المحور

التجميع



تحذير: للحد من مخاطر الإصابة الجسدية الخطيرة، أوقف تشغيل الأداة وافصل الأداة من مصدر الطاقة قبل إجراء أي تعديلات أو إزالة/تركيب الملحقات أو الكماليات. قبل إعادة توصيل الأداة، اضغط وحرر مفتاح التشغيل للتأكد من أن الأداة متوقفة بالفعل. حيث إن بدء التشغيل العرضي قد يؤدي إلى حدوث إصابة.

عجلة التحكم في السرعة (الشكل A)

يمكن تغيير السرعة القصوى لأداتك عبر تدوير عجلة التحكم في السرعة (1) إلى الإعداد المطلوب. تشتمل العجلة على ماسكات لمنع حركة العجلة الغير مقصودة ولتسهيل تحديد السرعة. لمزيد من تعدد الاستخدامات، يمكن غلق المفتاح وهو على وضع التشغيل وتغيير سرعة الأداة بواسطة عجلة التحكم في السرعة (1) وحدها.

لا يتيح لك التحكم الإلكتروني في السرعة اختيار السرعة التي تناسب العمل فقط، ولكنها تساعد كذلك على الحفاظ على تلك السرعة المتناغمة أثناء تحميلك للأداة بواسطة الضغط لأسفل.

يمكن تحديد عجلة التحكم في السرعة (1) على أي سرعة بين 500 و3600 دورة في الدقيقة من المستوى 1 حتى المستوى MAX.

زر قفل عمود الدوران (الشكل B)



تحذير: للحد من مخاطر الإصابة الجسدية الخطيرة، أوقف تشغيل الأداة وافصل الأداة من مصدر الطاقة قبل إجراء أي تعديلات أو إزالة/تركيب الملحقات أو الكماليات. قبل إعادة توصيل الأداة، اضغط وحرر مفتاح التشغيل للتأكد من أن الأداة متوقفة بالفعل.

تم توفير زر قفل محور الدوران في رأس تشعيق الآلة بهدف منع محور دوران الأداة أثناء تركيب أو إزالة وسادة التدعيم. لقفل محور الدوران، اضغط مع الاستمرار على زر القفل. لا تضغط مطلقًا على زر قفل محور الدوران أثناء تشغيل أو تحريك الأداة.



## الملصقات الموجودة على الأداة

يمكن أن يحتوي الملصق الموجود على الأداة على الرموز التالية:

يجب قراءة دليل التعليمات قبل الاستخدام. تحذير! لتقليل خطر الإصابة، يجب على المستخدم قراءة دليل التعليمات قبل الاستخدام			
نظارات حماية أو أمان.			
واقى الأذن.			
ارتدِ قناع غبار.			
تيار مباشر	===	فولت	V
سرعة بدون تحميل	$n_0$	أمبير	A
تصميم من الفئة الثانية		هرتز	Hz
طرف أرضي		وات	W
رمز تبيه الأمان		دقائق	min
عدد الدورات أو الترددات في الدقيقة	/min.	تيار متردد	~

## موضع رمز التاريخ

يوجد كود التاريخ، والذي يحتوي على سنة الصنع، مطبوعًا على العلبة.

مثال:

XX JN 2017

سنة الصنع

## تحتوي العبوة على

1 ملمع

1 وسادة دعم فيلكرو

1 قلنسوة صوف فيلكرو

1 دليل تعليمات

1 بطاقة ضمان

- تحقق من أي تلف قد يحدث في الأداة أو أجزائها أو الملحقات أثناء النقل.
- استغرق الوقت الكافي لقراءة وفهم هذا الدليل بالكامل قبل الاستخدام.

## طول الكابل (م)

60 45 30 25 15 7.5

تيار الكابل المقتن (بالأمبير)						أمبير	الجهد الكهربائي
10	6	6	6	6	6	0 - 2.0	110-127
15	15	6	6	6	6	2.1 - 3.4	
20	20	15	10	6	6	3.5 - 5.0	
25	20	20	15	10	10	5.1 - 7.0	
-	25	25	20	15	15	7.1 - 12.0	
-	-	-	25	20	20	12.1 - 20.0	
6	6	6	6	6	6	0 - 2.0	220-240
6	6	6	6	6	6	2.1 - 3.4	
15	10	6	6	6	6	3.5 - 5.0	
15	15	10	10	10	10	5.1 - 7.0	
20	20	15	15	15	15	7.1 - 12.0	
-	25	20	20	20	20	12.1 - 20.0	

المخاطر المتبقية

على الرغم من سريان تعليمات السلامة وتطبيق تجهيزات السلامة فهناك بعض المخاطر الأخرى التي لا يمكن تجنب وقوعها. وهي:

- تضرر السمع
- خطر التعرض لإصابات جسدية جراء الجزيئات المتطايرة.
- خطر التعرض لحروق جراء الملمقات التي تسخن أثناء التشغيل.
- خطر التعرض لإصابات جسدية جراء الاستخدام لفترات طويلة.
- خطر التعرض لغبار المواد الخطرة.

السلامة من مخاطر الكهرباء

الأداة الخاصة بك مزدوجة العزل؛ وبالتالي لا حاجة إلى توصيل سلك أرضي. تحقق دائماً من توافق جهد مصدر التيار الكهربائي مع الجهد الموضح على لوحة التحنين.

تحذيراً! في حالة تلف سلك الطاقة، يجب استبداله من قبل مُصنِع الجهاز، أو مركز خدمة معتمد لدى شركة STANLEY، أو أي فني مؤهل على نفس المستوى لتجنب أي تلف أو إصابة. في حالة استبدال سلك الطاقة بواسطة فني مؤهل على نفس المستوى، ولكنه غير معتمد لدى شركة STANLEY، فسوف تسقط صلاحية الضمان.

استخدام سلك إطالة

إذا احتجت إلى سلك تمديد، فاستخدم سلك تمديد ثلاثي القلوب معتمداً يتناسب مع دخل الطاقة لهذه الأداة (راجع البيانات الفنية). الحد الأدنى لحجم الموصل 1.5 ملم<sup>2</sup>، والحد الأقصى للطول 30 م. عند استخدام بكرة كابل، ابسط الكابل بالكامل.

مساحة المقطع العرضي للكابل (ملم <sup>2</sup> ) للتيار المقنن للكابل (أمبير)	مساحة المقطع العرضي للكابل (ملم <sup>2</sup> ) للتيار المقنن للكابل (أمبير)
6	0.75
10	1.00
15	1.50
20	2.50
25	4.00

قواعد سلامة إضافية خاصة

تحذير! تعليمات السلامة الخاصة بالملمع



- a. استخدم دائماً واقعي العينين. يجب على كل المستخدمين والموجودين ارتد واقعي العينين الذي يتوافق مع المواصفة ANSI Z87.1.
- b. نظّف الأداة بصورة متكررة، خاصة بعد الاستخدام الشاق. غالباً ما يتراكم الغبار والحبيبات المحتوية على جزيئات معدنية على الأسطح الداخلية ويمكن أن تسبب خطر الصدمة الكهربائية.
- c. تجنب تشغيل هذه الأداة لفترات طويلة. فقد يتسبب الاهتزاز الناشئ عن إجراء التشغيل لهذه الأداة في تعرض الأصابع أو الأيدي أو الأذرع لإصابة دائمة. استخدم القفازات لتوفير حشوية إضافية وتوقف للاستراحة بشكل متكرر والحد من وقت الاستخدام اليومي.
- d. تغطي فتحات الهواء عادة أجزاءً متحركة ويجب تجنبها. فقد تعلق الملابس الفضفاضة أو المجوهرات أو الشعر الطويل في الأجزاء المتحركة.

تحذير: ارتد نظارة أمان دائماً. النظارات العادية المخصصة للاستخدام اليومي ليست نظارات أمان. استخدم كذلك قناع وجه أو قناع غبار إذا كانت عملية القطع تثير غباراً. ارتد دائماً معدات سلامة معتمدة.

تحذير: ارتد دائماً واقعي أذن شخصي مناسب أثناء الاستخدام والذي يتوافق مع (ANSI S12.6 (S3.19)). في بعض الظروف ومع الاستخدام المتواصل للأداة، يمكن أن تسبب الضوضاء الناتجة عن المنتج في فقدان قدرة السمع.

تحذير: استخدم تلك الأداة يمكن أن يولد وأو يثير الغبار، حيث ربما يسبب إصابات بالغة ودائمة للجهاز التنفسي وإصابات أخرى. استخدم دائماً واقعي تنفس معترف به من NIOSH/OSHA ومناسباً للتعرض للغبار. وجه الجزيئات بعيداً عن الوجه والجسم.

تنبيه: توخ أقصى الحذر عند العمل في الزوايا حين يمكن أن تحدث فجأة حركة حادة من الملمع عند احتكاك القرص أو أي ملحق آخر بالسطح الثانوي أو بحافة السطح.

تعليمات الأمان الإضافية

تحذير: نحن ننصح باستخدام أداة تعمل بالتيار المتبقي مع معدل التيار المتبقي لـ 30 ملي أمبير أو أقل.



سلامة الآخرين

- هذا الجهاز غير مصمم ليستخدمه الأشخاص ذوو القدرات الجسدية والحسية والعقلية المتدنية أو من تنقصهم الخبرة والمعرفة (بما في ذلك الأطفال) إلا في ظل الإشراف عليهم أو إعطائهم التعليمات المتعلقة باستخدام الجهاز من قبل الشخص المسؤول عن سلامتهم.
- ينبغي مراقبة الأطفال لضمان عدم عبثهم بالجهاز.

## تعليمات أمان إضافية لكل العمليات

## الارتداد والتحذيرات المتعلقة به

يُقصد بالارتداد هو رد الفعل المفاجئ للقرص الدوار المضغوط أو العالق أو لوح التدعيم أو الفرشاة أو أية ملحقات أخرى. الانزلاق أو التشابك يتسبب في التعطل السريع لقطعة الكماليات الدوارة التي تتسبب في دورانها في دفع الأداة بشكل غير محكوم للتحرك في اتجاه مقابل لاتجاه دوران قطعة الكماليات في نقطة الاتصال.

على سبيل المثال، إذا علق أو انضغط قرص الجليخ في قطعة الشغل، فإن حافة القرص الداخلة في نقطة الضغط قد تدخل في سطح المادة مما قد يسبب انثناء القرص أو اعوجاجه. العجلة يمكن أن ترتد إلى الأمام أو بعيداً عن المشغل، بحسب اتجاه حركة العجلة في نقطة الانزلاق. قد تنكسر أيضًا أقراص الجليخ تحت تأثير هذه الظروف.

يحدث الارتداد نتيجة لسوء استخدام الأداة وأو طريقة أو ظروف التشغيل غير الصحيحة، ويمكن تجنب ذلك من خلال اتخاذ الاحتياطات المناسبة، مثل:

- أحكم قبضتك على الأداة الكهربائية وثبت جسمك وذراعك في وضع يسمح لك بمقاومة قوى الارتداد. احرص دائماً على استخدام مقبض إضافي، إن وجد، للتحكم الأقصى في الارتداد أو رد فعل عزم الدوران أثناء بدء التشغيل. يمكن للمشغل التحكم في رد فعل عزم الدوران أو قوى الارتداد، وذلك في حال اتخاذ الاحتياطات المناسبة.
- لا تضع يدك مطلقاً بالقرب من الملحق الدوار. حيث قد ترتد قطعة الملحقات تجاه يدك.
- لا تضع جسمك في المنطقة التي سوف تتجه إليها الأداة الكهربائية في حالة حدوث الارتداد. الارتداد سوف يعمل على توجيه الأداة في الاتجاه المقابل لحركة العجل في نقطة التشابك.
- يجب توجيهه بعناية خاصة عند العمل في الزوايا أو الحواف الحادة وما إلى ذلك. وتجنب انزلاق أو علق الملحق. قد تسبب الزوايا أو الحواف الحادة أو الانزلاق علق قطعة الملحقات الدوارة؛ ما يؤدي إلى فقدان السيطرة أو الارتداد.
- لا توصل شفرة حفر الخشب بجزير المنشار أو شفرة المنشار المسنن. قد تتسبب مثل هذه الشفرات في عمل ارتداد متكرر وفقدان القدرة على التحكم.

## تعليمات سلامة إضافية لعمليات التلميع

## تحذيرات السلامة الخاصة بعمليات التلميع

- لا تترك أي أجزاء سائبة لطربوش التلميع أو خيوط الملحقة تدور بشكل حر. قم بتشذيب أو قطع أية أربطة مرفقة مرتخية. فخيوط الملحقة السائبة أو التي تدور بشكل حر يمكن أن تشبكت مع أصابعك أو تتمزق على قطعة الشغل.
- يُرجى اتباع تعليمات الدليل هذا عند إضافة زيت تشحيم أو عند تغيير الملحقات.
- يجب أن يظل المقبض جافاً ونظيفاً وبدون زيت.

البلى الزائد، أو الفرشاة السلكية للتحقق من الأسلاك المرتخية أو المشقوقة. إذا سقطت الأداة الكهربائية أو الملحقات، فتتحقق من وجود تلف أو قم بترييب ملحق غير تالف. بعد الانتهاء من فحص وتركيب قطعة ملحقة فاحرص على أن تكون أنت والمرافقين بعيدين عن نطاق القطعة الملحقة الدوارة وقم بتشغيل الأداة الكهربائية على أقصى سرعة بدون حمل لمدة دقيقة. سوف تنكسر الملحقات التالفة في المعتاد أثناء فترة الاختبار هذه.

- ارتد معدات الحماية الشخصية. حسب التطبيق، استخدم واقي الوجه أو نظارات الوقاية أو نظارات الأمان. حسب الحاجة، ارتد قناع الأتربة وواقيات الأذن والقفازات ومئزر العمل القادرة على الحماية من الكواشط وشظايا العمل الصغيرة. يجب أن يكون واقي العينين قادراً على منع البقايا المتطايرة المتولدة عن العمليات المختلفة. يجب أن يكون قناع الأتربة أو الكمامة قادرين على تقيية الجزيئات المتولدة عن العملية. يمكن أن يتسبب التعرض المستمر لضجيج شديد الكثافة في فقدان السمع.
- احرص على إبعاد المتواجدين في منطقة العمل مسافة أمان كافية. يجب على أي شخص يدخل منطقة العمل ارتداء معدات الحماية الشخصية، يمكن أن تتطاير شظايا قطع العمل أو الملحقات المكسورة وتتسبب في إلحاق إصابات خارج نطاق منطقة التشغيل.
- احرص على حمل الأداة الكهربائية باستخدام أسطح الإمساك المعزولة عند القيام بالتشغيل في الأماكن التي يمكن أن ينشأ فيه تلامس بين ملحقات التقطيع وبين الأسلاك المختفية. يمكن أن تتسبب ملحقات التقطيع التي تلامس سلك "حي" في تحويل الأجزاء المعدنية المكشوفة للأداة الكهربائية إلى "طرف حي" وتتسبب في حدوث صدمة كهربائية للمشغل.
- ضع السلك بحيث يكون خالياً من الملحقات الدوارة. إذا فقدت توازنك، فيمكن أن يتعرض السلك للقطع أو للتمزق، ويمكن أن تُسحب يدك أو ذراعك إلى داخل الملحق الدوار.
- لا تقم مطلقاً بإزالة الأداة الكهربائية حتى تتوقف تماماً عن الحركة. يمكن أن يتعلق الملحق الدوار بالسطح ويُخرج الأداة الكهربائية عن تحكملك.
- لا تقم بتشغيل الأداة الكهربائية أثناء حملها على جانبك. يمكن أن يؤدي التلامس المفاجئ مع الملحق الدوار أن إلى التشابك ملباسك وسحب الملحق تجاه جسمك.
- نظف فتحات تهوية الأداة الكهربائية بانتظام. سوف تقوم مروحة المحرك بإدخال الغبار إلى المبيت، وقد يسبب التراكم الزائد للغبار المعدني وقوع مخاطر كهربائية.
- لا تشغل الأداة الكهربائية بالقرب من مواد قابلة للاشتعال. حيث يمكن أن يشعل الشرر هذه المواد.
- لا تستخدم الملحقات التي تتطلب مواد تبريد سائلة. قد يتسبب استخدام الماء أو أية سوائل تبريد أخرى في التعرض لصدمة كهربائية أو الصعق.

- g. موصل بالجزء الدوار من الأداة الكهربائية في وقوع إصابات شخصية.
- e. تجنب المبالغة، ضع قديمك في وضع مناسب واحتفظ باتزانك في كل الأوقات. حيث يتيح ذلك إمكانية تحكم أفضل في الأداة الكهربائية في المواقف غير المتوقعة.
- f. ارتدِ زيًا مناسبًا. لا ترتدِ الملابس الفضفاضة أو الحلي. احرص على إبعاد شعرك وملابسك عن الأجزاء المتحركة. فقد تعلق الملابس الفضفاضة أو الحلي أو الشعر الطويل في الأجزاء المتحركة.
- g. إذا كانت الأجهزة معدة للتوصيل بوسائل إزالة أو تجميع الأتربة، فتأكد من توصيلها واستخدامها بشكل مناسب. استخدام هذه الأجهزة يمكن أن يقلل من المخاطر المتعلقة بالغبجار.
- h. لا تسمح لاعتيادك على استخدام الأدوات بشكل متكرر أن يبعث داخلك اطمئنانًا قد يدفعك إلى تجاهل مبادئ سلامة الخاصة بالأداة، فأي تصرف طائش يمكن أن يتسبب في وقوع إصابات خطيرة في لمح البصر.
4. استخدام الأداة الكهربائية والعناية بها
- a. لا تضغط على الأداة الكهربائية. استخدم الأداة الكهربائية المناسبة لاستعمالك. حيث أن الأداة الكهربائية المناسبة سوف تقوم بأداء العمل بشكل أفضل وأكثر أمانًا وفقًا للمعدل التي صُممت لأجله.
- b. لا تستخدم الأداة الكهربائية إذا لم يقم المفتاح بالتشغيل والإيقاف، أية أداة كهربائية لا يمكن التحكم فيها باستخدام المفتاح تصبح خطرة ويجب إصلاحها.
- c. أفضل القابض عن مصدر الكهرباء و/أو أخرج حزمة البطارية، إن كانت قابلة للإزالة، من الأداة الكهربائية قبل إجراء أي تعديلات أو تغيير أي ملحقات أو تخزين الأدوات الكهربائية. تعمل إجراءات السلامة الوقائية هذه على الحد من خطر بدء تشغيل الأداة الكهربائية بدون قصد.
- d. خزن الأدوات الكهربائية غير المستخدمة بعيدًا عن متناول الأطفال ولا تسمح للأشخاص الغير معتمدين على الأداة الكهربائية أو هذه التعليمات بتشغيل الأداة الكهربائية. تمثل الأدوات الكهربائية خطرًا في أيدي المستخدمين غير المتدربين.
- e. هـ. صيانة الأدوات الكهربائية والملحقات. تحقق من وجود أي محاذرة خاطئة أو عائق في الأجزاء المتحركة، أو كسر في الأجزاء، وأية حالة أخرى يمكن أن تؤثر على تشغيل الأدوات الكهربائية. في حالة تلفها، يتم إصلاح الأداة الكهربائية قبل استخدامها. تقع العديد من الحوادث جراء صيانة الأدوات الكهربائية بشكل سيء.
- f. احرص على أن تظل أدوات القطع حادة ونظيفة. تعمل الصيانة المناسبة لأدوات القطع ذات الحواف الحادة على تقليل احتمالية أن تلثم ويمكن التحكم فيها بشكل أسهل.
- g. لا تستخدم ملحقات تالفة. قبل كل استخدام احرص على فحص الملحقات مثل أقراص الجليخ من للتتحقق لشقوق وخدوش، أو وسادة التدعيم للتتحقق من الشقوق أو التمزق أو
- استخدم الأداة الكهربائية والكماليات ولقم الأداة وما إلى ذلك بما يتوافق مع هذه التعليمات، مع الوضع في الاعتبار ظروف العمل والعمل الذي يتعين القيام به. استخدام الأداة الكهربائية لتنفيذ العمليات في الأغراض غير المخصصة يمكن أن يتسبب في التعرض لمواقف خطيرة.
- h. حافظ على جفاف المقابض والأسطح القابضة ونظافتها وخلوها من الزيت والشحم. فالمقابض والأسطح القابضة المنزلفة لا تسمح بالتعامل مع الأداة والتحكم فيها بأمان في المواقف غير المتوقعة.
5. الخدمة
- a. احرص على أن يقوم فني متخصص بإصلاح الأداة الكهربائية الخاصة بك وباستخدام قطع الغيار المتطابقة فقط. وذلك يضمن سلامة صيانة الأداة الكهربائية.

### تعليمات السلامة لكل العمليات

#### تحذيرات الأمان الشائعة عند التلميع

- a. أداة الطاقة الكهربائية هذه مخصصة للعمل كأداة تلميع. احرص على قراءة كل تحذيرات السلامة والتعليمات والرسوم التوضيحية ذات الصلة والمواصفات المرفقة مع الأداة الكهربائية. أي قصور في اتباع تعليمات السلامة الموضحة أدناه يمكن أن يتسبب في حدوث صدمة كهربائية و/أو نشوب حريق و/أو التعرض لإصابات بالغة.
- b. لا يوصى بتنفيذ عمليات الجليخ أو الصفرية باستخدام هذه الأداة الكهربائية أو استخدامها كفرشاة سلكية أو قاطعة. إن استخدام الأداة الكهربائية في العمليات التي لم تُصمم لتنفيذها يمكن أن يتسبب في وقوع مخاطر وإصابات شخصية بالغة.
- c. لا تستخدم الملحقات التي لم تُصمم خصيصًا وموصى بها من قبل الجهة المصنعة للأداة. لأن الملحقات يمكن توصيلها بالأداة الكهربائية الخاصة بك، ولا تضمن تشغيلًا آمنًا.
- d. يجب أن تكون السرعة المقتنة للملحقات على الأقل مساوية للسرعة القصوى الموضحة على الأداة الكهربائية. يمكن أن تنكسر وتتطاير الملحقات التي تعمل بمعدل أسرع من سرعتها المقررة.
- e. القطر الخارجي وسمك الملحقات الخاصة بك يجب أن يكون في إطار تقييم القدرة للأداة الكهربائية. الكماليات غير صحيحة المقاس لا يمكن أن تتم حمايتها أو التحكم فيها بشكل مناسب.
- f. يجب أن يتوافق التركيب المسنن للملحقات مع سن محور دوران المجلخة. بالنسبة للملحقات التي تُركب بواسطة الشفاه، ينبغي أن يتلائم الملحق مع قطر موضع الشفة. الملحقات غير المتوافقة مع الأجزاء المركبة للأداة الكهربائية سوف تفقد توازنها، وتهتز بشدة ويمكن أن تتسبب في فقدان التحكم.
- g. لا تستخدم ملحقات تالفة. قبل كل استخدام احرص على فحص الملحقات مثل أقراص الجليخ من للتتحقق لشقوق وخدوش، أو وسادة التدعيم للتتحقق من الشقوق أو التمزق أو

## الغرض من الاستخدام

2. السلامة من مخاطر الكهرباء
- a. يلزم توافق قوابس الأداة الكهربائية مع مقبس التيار الكهربائي. يُحظر تعديل القابس بأي طريقة. لا تستخدم قوابس مهايئ مع الأدوات الكهربائية المتصلة بالأرضي (مؤرضة). عدم تعديل القابس واستخدام مخارج تيار مناسبة يحد من مخاطر الصدمات الكهربائية.

## تعليمات السلامة

- b. تجنب ملامسة الجسم مع أسطح مؤرضة أو أرضية، مثل المواسير والمدافئ والأفران والمبردات. يزداد خطر التعرض لصدمة كهربائية إذا كان جسمك في وضع تأريض أو أرضي.
- c. لا تعرض الأدوات الكهربائية للمطر أو لظروف رطبة. سوف يؤدي تسرب الماء إلى داخل الأداة الكهربائية إلى زيادة مخاطر التعرض للصدمات الكهربائية.
- d. لا تسنّ استخدام السلك. لا تستخدم السلك مطلقاً في حمل أو سحب الأداة الكهربائية أو فصلها من المقبس. ابق السلك بعيداً عن الحرارة والزيوت والحواف الحادة والأجزاء المتحركة. تزيد الأسلاك التالفة أو المتشابكة من مخاطر التعرض للصدمات الكهربائية.
- e. عند تشغيل الأداة الكهربائية في الخارج، استخدم سلك إطالة مناسباً للاستخدام الخارجي. استخدام سلك مناسب لأغراض الاستخدام الخارجي يقلل من مخاطر التعرض للصدمات الكهربائية.



التعريفات الموضحة أدناه تبين مستوى القسوة لكل إشارة مكتوبة. يرجى قراءة الدليل مع مراعاة هذه الرموز.

**خطر:** يشير إلى موقف خطر وشيك سوف تنتج عنه الوفاة أو إصابات خطيرة في حال عدم تجنبه.



**تحذير:** يشير إلى موقف خطر محتمل من الممكن أن تنتج عنه الوفاة أو إصابات خطيرة في حال عدم تجنبه.



**ملاحظة:** يشير إلى ممارسة لا تنطوي على إلحاق إصابات جسدية للمشغل، ولكن يمكن أن ينتج عنه تلف الممتلكات إن لم يتم تجنبه.



يشير إلى خطر التعرض لصدمة كهربائية.



يشير إلى خطر نشوب حريق.



تحذير: لتجنب خطر التعرض للإصابات، تجب قراءة دليل التعليمات.

- f. إذا لم يكن هناك مفر من تشغيل الأداة الكهربائية في منطقة رطبة، فاستخدم شبكة تغذية محمية بقاطع تفاضلي (RCD). استخدام قاطع الدائرة يقلل من مخاطر التعرض للصدمات الكهربائية.

## تحذيرات عامة متعلقة بسلامة أداة الطاقة الكهربائية

- a. كن متيقظاً، وراقب ما تفعل واستخدم حسك العام عند تشغيل الأداة الكهربائية. لا تستخدم الأداة الكهربائية عندما تكون مجهداً أو تحت تأثير المخدرات أو الكحوليات أو الأدوية. في حالة عدم الانتباه عند تشغيل الأداة الكهربائية يمكن أن تتسبب في وقوع إصابات شخصية بالغة.
- b. استخدم معدات الحماية الشخصية. احرص دائماً على ارتداء واقي العينين. سوف تعمل معدات الحماية، مثل قناع الغبار وأحذية السلامة المقاومة للانزلاق والخوذة الصلبة وواقي الأذن المستخدمة في ظروف مناسبة على تقليل معدل الإصابات الشخصية.



تحذير! احرص على قراءة كل تحذيرات السلامة والتعليمات والرسوم التوضيحية ذات الصلة والمواصفات المرفقة مع ة.

## احتفظ بكل التحذيرات والتعليمات كمرجع مستقبلي

- يشير مصطلح «الأداة الكهربائية» الوارد في التحذيرات إلى الأداة الكهربائية المشغلة عن طريق التيار الكهربائي (بكابسل) أو بطارية (بدون كابسل).

## 1. سلامة منطقة العمل

- a. حافظ على منطقة العمل نظيفة ومضاءة جيداً. فالمناطق غير المرتبة أو المظلمة عرضة لوقوع حوادث.
- b. لا تشغل الأدوات الكهربائية في أجواء قابلة للانفجار، مثل وجود سوائل أو غازات أو غبار قابلة للاشتعال. تطلق الأدوات الكهربائية شرراً يمكن أن يشعل الغبار أو الأدخنة.
- c. احرص على إبعاد الأطفال والمتواجدين في منطقة العمل عند تشغيل الأداة الكهربائية. مصادر صرف الانتباه يمكن أن تجعلك تفقد القدرة على التحكم.

- d. تخلص من أية مفاتيح ضبط أو ربط قبل تشغيل الأداة الكهربائية. يمكن أن يتسبب أي مفتاح ربط أو ضبط





