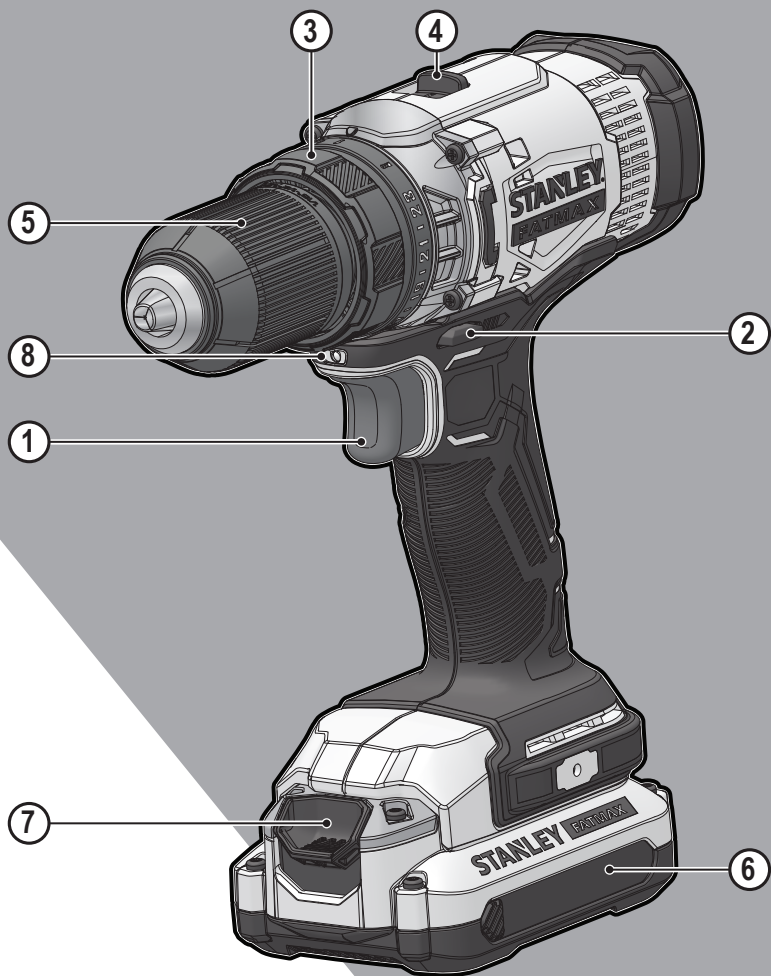
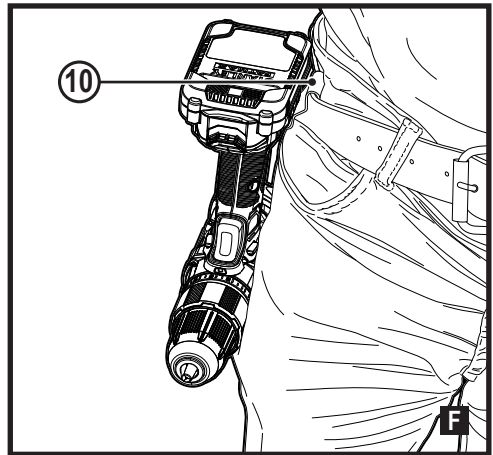
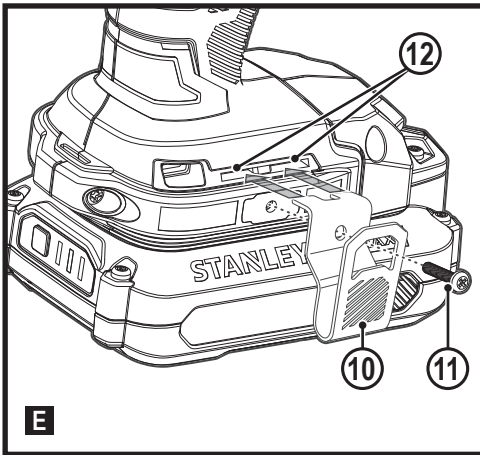
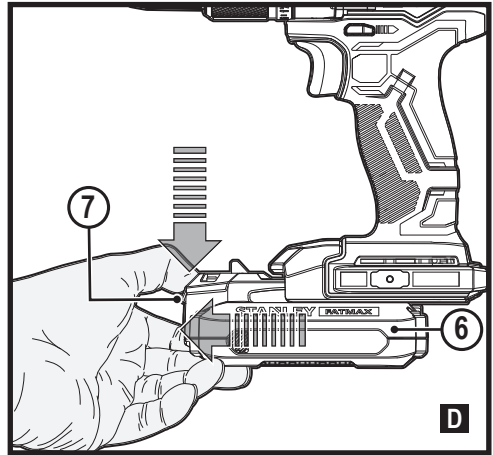
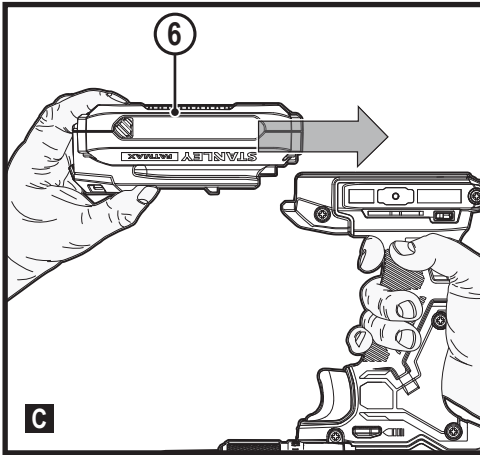
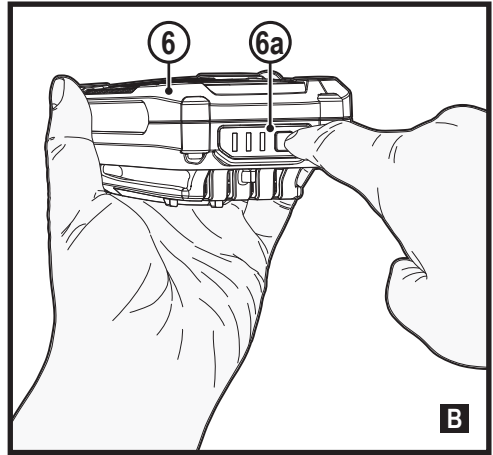
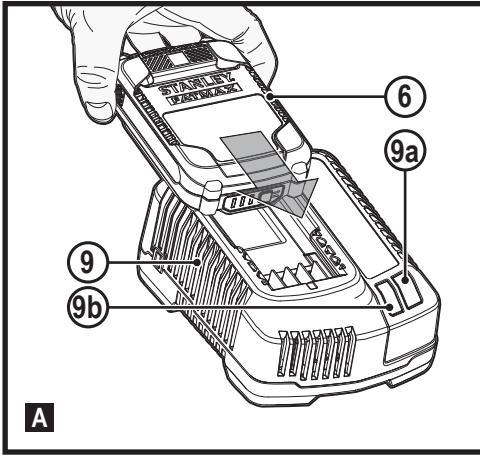


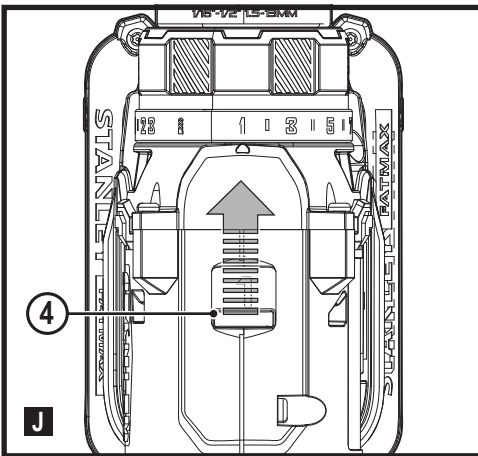
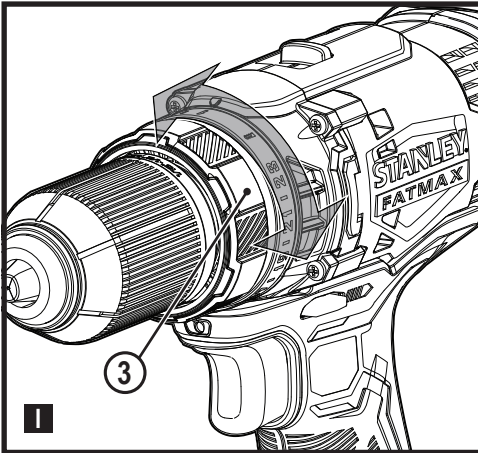
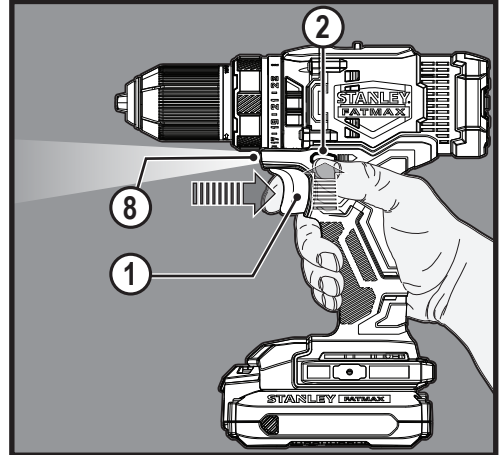
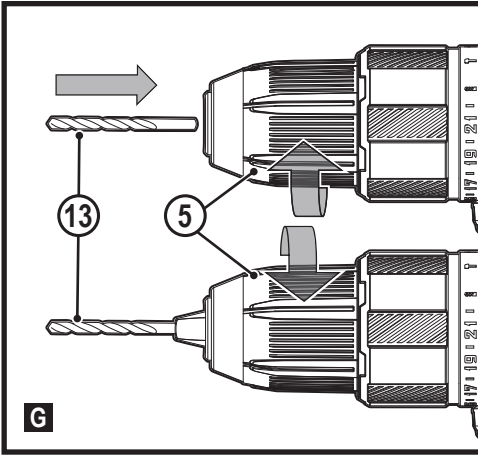
STANLEY[®] FATMAX[®] V20 LITHIUM ION



www.stanley.eu

SCD708





Intended use

Your STANLEY FATMAX SCD708 drill/screwdriver has been designed for screwdriving applications and for drilling in wood, metal and plastics. This appliance is intended for professional and private, non professional users.

Safety instructions

General power tool safety warnings



Warning! Read all safety warnings, instructions, illustrations and specifications provided with this power tool. Failure to follow the warnings and instructions listed below may result in electric shock, fire and/or serious injury..

Save all warnings and instructions for future reference.

The term "power tool" in all of the warnings listed below refers to your mains operated (corded) power tool or battery operated (cordless) power tool.

1. Work area safety

- a. **Keep work area clean and well lit.** Cluttered or dark areas invite accidents.
- b. **Do not operate power tools in explosive atmospheres, such as in the presence of flammable liquids, gases or dust.** Power tools create sparks which may ignite the dust or fumes.
- c. **Keep children and bystanders away while operating a power tool.** Distractions can cause you to lose control.

2. Electrical safety

- a. **Power tool plugs must match the outlet. Never modify the plug in any way.**

- Do not use any adapter plugs with earthed (grounded) power tools.** Unmodified plugs and matching outlets will reduce risk of electric shock.
- b. **Avoid body contact with earthed or grounded surfaces such as pipes, radiators, ranges and refrigerators.** There is an increased risk of electric shock if your body is earthed or grounded.
 - c. **Do not expose power tools to rain or wet conditions.** Water entering a power tool will increase the risk of electric shock.
 - d. **Do not abuse the cord. Never use the cord for carrying, pulling or unplugging the power tool. Keep cord away from heat, oil, sharp edges or moving parts.** Damaged or entangled cords increase the risk of electric shock.
 - e. **When operating a power tool outdoors, use an extension cord suitable for outdoor use.** Use of a cord suitable for outdoor use reduces the risk of electric shock.
 - f. **If operating a power tool in a damp location is unavoidable, use a residual current device (RCD) protected supply.** Use of an RCD reduces the risk of electric shock.
3. **Personal safety**
 - a. **Stay alert, watch what you are doing and use common sense when operating a power tool.**
Do not use a power tool while you are tired or under the influence of drugs, alcohol or medication. A moment of inattention while operating power tools may result in serious personal injury.
 - b. **Use personal protective equipment. Always wear eye protection.** Protective equipment such as dust mask, non-skid safety shoes, hard hat, or hearing protection used for appropriate conditions will reduce personal injuries.
 - c. **Prevent unintentional starting. Ensure the switch is in the off-position before connecting to power source and/or battery pack, picking up or carrying the tool.** Carrying power tools with your finger on the switch or energising power tools that have the switch on invites accidents.
 - d. **Remove any adjusting key or wrench before turning the power tool on.** A wrench or a key left attached to a rotating part of the power tool may result in personal injury.
 - e. **Do not overreach. Keep proper footing and balance at all times.** This enables better control of the power tool in unexpected situations.
 - f. **Dress properly. Do not wear loose clothing or jewellery. Keep your hair and clothing away from moving parts.** Loose clothes, jewellery or long hair can be caught in moving parts.
 - g. **If devices are provided for the connection of dust extraction and collection facilities, ensure these are connected and properly used.** Use of dust collection can reduce dust-related hazards.
 - h. **Do not let familiarity gained from frequent use of tools allow you to become complacent and ignore tool safety principles.** A careless action can cause severe injury within a fraction of a second.
4. **Power tool use and care**
 - a. **Do not force the power tool. Use the correct power tool for your application.** The correct power tool will do the job better and safer at the rate for which it was designed.
 - b. **Do not use the power tool if the switch does not turn it on and off.** Any power tool that cannot be controlled with the switch is dangerous and must be repaired.
 - c. **Disconnect the plug from the power source and/or remove the battery pack, if detachable, from the power tool before making any adjustments, changing accessories, or storing power tools.** Such preventive safety measures reduce the risk of starting the power tool accidentally.
 - d. **Store idle power tools out of the reach of children and do not allow persons unfamiliar with the power tool or these instructions to operate the power tool.** Power tools are dangerous in the hands of untrained users.
 - e. **Maintain power tools and accessories. Check for misalignment or binding of moving parts, breakage of parts and any other condition that may affect the power tools operation. If damaged, have the power tool repaired before use.** Many accidents are caused by poorly maintained power tools.
 - f. **Keep cutting tools sharp and clean.** Properly maintained cutting tools with sharp cutting edges are less likely to bind and are easier to control.
 - g. **Use the power tool, accessories and tool bits etc. in accordance with these instructions, taking into account the working conditions and the work to be performed.**
Use of the power tool for operations different from those intended could result in a hazardous situation.
 - h. **Keep handles and grasping surfaces dry, clean and free from oil and grease.** Slippery handles and grasping surfaces do not allow for safe handling and control of the tool in unexpected situations.
 5. **Battery tool use and care**
 - a. **Recharge only with the charger specified by the manufacturer.** A charger that is suitable for one type of battery pack may create a risk of fire when used with another battery pack.

- b. **Use power tools only with specifically designated battery packs.** Use of any other battery packs may create a risk of injury and fire.
- c. **When battery pack is not in use, keep it away from other metal objects, like paper clips, coins, keys, nails, screws, or other small metal objects, that can make a connection from one terminal to another.** Shorting the battery terminals together may cause burns or a fire.
- d. **Under abusive conditions, liquid may be ejected from the battery; avoid contact. If contact accidentally occurs, flush with water. If liquid contacts eyes, additionally seek medical help.** Liquid ejected from the battery may cause irritation or burns.
- e. **Do not use a battery pack or tool that is damaged or modified.** Damaged or modified batteries may exhibit unpredictable behaviour resulting in fire, explosion or risk of injury.
- f. **Do not expose a battery pack or tool to fire or excessive temperature.** Exposure to fire or temperature above 130 °C may cause explosion.
- g. **Follow all charging instructions and do not charge the battery pack or tool outside the temperature range specified in the instructions.** Charging improperly or at temperatures outside the specified range may damage the battery and increase the risk of fire.

6. Service

- a. **Have your power tool serviced by a qualified repair person using only identical replacement parts. This will ensure that the safety of the power tool is maintained.**
- b. **Never service damaged battery packs. Service of battery packs should only be performed by the manufacturer or authorized service providers.**

1) Safety instructions for all operations

- a. **Brace the tool properly before use.** This tool produces a high output torque and without properly bracing the tool during operation, loss of control may occur resulting in personal injury.
- b. **Hold the power tool by insulated gripping surfaces, when performing an operation where the cutting accessory may contact hidden wiring.** Cutting accessory contacting a "live" wire may make exposed metal parts of the power tool "live" and could give the operator an electric shock.

2) Safety instructions when using long drill bits

- a. **Never operate at higher speed than the maximum speed rating of the drill bit.** At higher speeds, the bit is likely to bend if allowed to rotate freely without contacting the workpiece, resulting in personal injury.

- b. **Always start drilling at low speed and with the bit tip in contact with the workpiece.** At higher speeds, the bit is likely to bend if allowed to rotate freely without contacting the workpiece, resulting in personal injury.
- c. **Apply pressure only in direct line with the bit and do not apply excessive pressure.** Bits can bend causing breakage or loss of control, resulting in personal injury.

Additional safety warnings for screwdrivers

- **Hold power tool by insulated gripping surfaces, when performing an operation where the Fasteners may contact hidden wiring.** Fasteners contacting a "live" wire may make exposed metal parts of the power tool "live" and could give the operator an electric shock.
- **Use clamps or another practical way to secure and support the work piece to a stable platform.** Holding the work by hand or against your body leaves it unstable and may lead to loss of control.
- **Before driving fasteners into walls, floors or ceilings, check for the location of wiring and pipes.**
- **The intended use is described in this instruction manual.**
- **The use of any accessory or attachment or performance of any operation with this tool other than those recommended in this instruction manual may present a risk of personal injury and/or damage to property.**

Safety of others

- This tool is not intended for use by persons (including children) with reduced physical, sensory or mental capabilities, or lack of experience and knowledge, unless they have been given supervision or instruction concerning use of the appliance by a person responsible for their safety.
- Children should be supervised to ensure that they do not play with the appliance.

Residual risks

Additional residual risks may arise when using the tool which may not be included in the enclosed safety warnings. These risks can arise from misuse, prolonged use etc.

Even with the application of the relevant safety regulations and the implementation of safety devices, certain residual risks can not be avoided. These include:

- Injuries caused by touching any rotating/moving parts.
- Injuries caused when changing any parts, blades or accessories.
- Injuries caused by prolonged use of a tool. When using any tool for prolonged periods ensure you take regular breaks.
- Impairment of hearing.

- Health hazards caused by breathing dust developed when using your tool (example:- working with wood, especially oak, beech and MDF.)

Vibration

The declared vibration emission values stated in the technical data and the declaration of conformity have been measured in accordance with a standard test method provided by EN62841 and may be used for comparing one tool with another.

The declared vibration emission value may also be used in a preliminary assessment of exposure.



Warning! The vibration emission value during actual use of the power tool can differ from the declared value depending on the ways in which the tool is used. The vibration level may increase above the level stated.

When assessing vibration exposure to determine safety measures required by 2002/44/EC to protect persons regularly using power tools in employment, an estimation of vibration exposure should consider, the actual conditions of use and the way the tool is used, including taking account of all parts of the operating cycle such as the times when the tool is switched off and when it is running idle in addition to the trigger time.

Labels on tool

The following pictograms along with the date code are shown on the tool:



Warning! To reduce the risk of injury, the user must read the instruction manual.

Additional safety instructions for batteries and chargers

Batteries

- Never attempt to open for any reason.
- Do not expose the battery to water.
- Do not store in locations where the temperature may exceed 40 °C.
- Charge only at ambient temperatures between 10 °C and 40 °C.
- Charge only using the charger provided with the tool.
- When disposing of batteries, follow the instructions given in the section "Protecting the environment".

Chargers

- Use your STANLEY FATMAX charger only to charge the battery in the tool with which it was supplied. Other batteries could burst, causing personal injury and damage.
- Never attempt to charge non-rechargeable batteries.
- Have defective cords replaced immediately.

- Do not expose the charger to water.
- Do not open the charger.
- Do not probe the charger.



The charger is intended for indoor use only.



Read the instruction manual before use.



Do not attempt to charge damaged batteries.

Electrical safety



Your charger is double insulated; therefore no earth wire is required. Always check that the mains voltage corresponds to the voltage on the rating plate. Never attempt to replace the charger unit with a regular mains plug.

- If the supply cord is damaged, it must be replaced by the manufacturer or an authorised STANLEY FATMAX Service Centre in order to avoid a hazard.



Warning! Never attempt to replace the charger unit with a regular mains plug.

Features

This appliance includes some or all of the following features.

1. Trigger Switch
2. Forward/Reverse Button
3. Torque Adjust Collar
4. Dual Range Gear Selector
5. Keyless Chuck
6. Battery
7. Battery Release Button
8. LED Work Light

Use



Warning! Let the tool work at its own pace. Do not overload.

Charging the battery (Fig. A)

The battery needs to be charged before first use and whenever it fails to produce sufficient power on jobs that were easily done before.

The battery may become warm while charging; this is normal and does not indicate a problem.



Warning! Do not charge the battery at ambient temperatures below 10 °C or above 40 °C. Recommended charging temperature: approx. 24 °C.







Note: The charger will not charge a battery if the cell temperature is below approximately 10 °C or above 40 °C. The battery should be left in the charger and the charger will begin to charge automatically when the cell

temperature warms up or cools down.

Note: To ensure maximum performance and life of lithium-ion battery packs, charge the battery pack fully before first use.

- Plug the charger (9) into an appropriate outlet before inserting battery pack (6).
- The green charging light (9a) will blink continuously indicating that the charging process has started.
- The completion of charge will be indicated by the green charging light (9a) remaining ON continuously. The battery pack (6) is fully charged and may be removed and used at this time or left in the charger.
- Charge discharged batteries within 1 week. Battery life will be greatly diminished if stored in a discharged state.

Charger LED Modes

	Charging: Green LED Intermittent	
	Fully Charged: Green LED Solid	
	Hot/Cold Pack Delay: Green LED Intermittent Red LED Solid	

Note: The compatible charger(s) will not charge a faulty battery pack. The charger will indicate a faulty battery pack by refusing to light.

Note: This could also mean a problem with a charger. If the charger indicates a problem, take the charger and battery pack to be tested at an authorized service centre.

Leaving the battery in the charger

The charger and battery pack can be left connected with the LED glowing indefinitely. The charger will keep the battery pack fresh and fully charged.

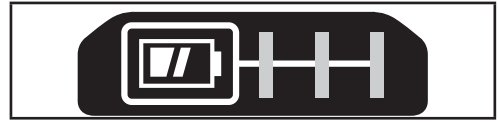
Hot/Cold Pack Delay

When the charger detects a battery that is too hot or too cold, it automatically starts a Hot/Cold Pack Delay, the green LED (9a) will flash intermittently, while the red LED (9b) will remain on continuously, suspending charging until the battery has reached an appropriate temperature. The charger then automatically switches to the pack charging mode. This feature ensures maximum battery life.

Battery state of charge indicator (Fig. B)

The battery includes a state of charge indicator to quickly determine the extent of battery life as shown in figure B. By

pressing the state of charge button (6a) you can easily view the charge remaining in the battery as illustrated in figure B.

**Installing and Removing the Battery Pack from the tool**

Warning! Make certain the lock-off button is engaged to prevent switch actuation before removing or installing battery.

To install battery pack (Fig. C)

- Insert battery pack firmly into tool until an audible click is heard as shown in figure C. Ensure battery pack is fully seated and fully latched into position.

To remove battery pack (Fig. D)

- Depress the battery release button (7) as shown in figure D and pull battery pack out of tool.

Belt hook (Optional extra) (Fig. E, F)

Warning! To reduce the risk of serious personal injury, place the forward/reverse button in the lock-off position or turn tool off and disconnect battery pack before making any adjustments or removing/installing attachments or accessories. An accidental start-up can cause injury.



Warning! To reduce the risk of serious personal injury, ONLY use the tool's belt hook (10) to hang the tool from a work belt. DO NOT use the belt hook for tethering or securing the tool to a person or object during use. DO NOT suspend tool overhead or suspend objects from the belt hook.



Warning! To reduce the risk of serious personal injury, ensure the screw (11) holding the belt hook is secure.

Note: When attaching or replacing the belt hook (10), use only the screw (11) that is provided. Be sure to securely tighten the screw.

The belt hook (10) can be attached by sliding into the slots (12) on either side of the tool using only the screw (11) provided, to accommodate left- or right- handed users. If the hook is not desired at all, it can be removed from the tool. To move the belt hook, remove the screw (11) that holds the belt hook (10) in place then reassemble on the opposite side. Be sure to securely tighten the screw (11).

Note: Various trackwall hooks and storage configurations are available.

Please visit our website www.stanleytools.eu/3 for further information.

Keyless chuck (Fig. G)



Warning! Make certain the battery pack is removed to prevent tool actuation before installing or removing accessories.

To insert a drill bit or other accessory:

- Grasp the chuck (5) and rotate it in the counterclockwise direction, as viewed from the chuck end.
- Insert the bit or other accessory (13) fully into the chuck, and tighten securely by rotating the chuck in the clockwise direction as viewed from the chuck end.



Warning! Do not attempt to tighten or loosen drill bits (or any other accessory) by gripping the front part of the chuck and turning the tool on.

Damage to the chuck and personal injury may occur when changing accessories.

Trigger switch & forward/reverse button (Fig H)

- The drill is turned ON and OFF by pulling and releasing the trigger switch (1) shown in figure H. The farther the trigger is depressed, the higher the speed of the drill.
- A forward/reverse control button (2) determines the rotational direction of the tool and also serves as a lock off button.
- To select forward rotation, release the trigger switch and depress the forward/reverse control button on the right side of the tool.
- To select reverse, depress the forward/reverse control button on the left side of the tool.
- The center position of the control button locks the tool in the off position. When changing the position of the control button, be sure the trigger is released.

Adjusting torque control (Fig I)

This tool is fitted with a torque adjustment collar (3) to select the operating mode and to set the torque for tightening screws. Large screws and hard workpiece materials require a higher torque setting than small screws and soft workpiece materials.

- For drilling in wood, metal and plastics, set the collar (3) to the drilling position symbol.
- For screwdriving, set the collar to the desired setting. If you do not yet know the appropriate setting, proceed as follows:
 - ◆ Set the collar to the lowest torque setting.
 - ◆ Tighten the first screw.
 - ◆ If the clutch ratchets before the desired result is achieved, increase the collar setting and continue tightening the screw.
 - ◆ Repeat until you reach the correct setting.
 - ◆ Use this setting for the remaining screws.

Dual range switch (Fig J)

The dual range feature of your drill allows you to shift gears for greater versatility.

- To select low speed, high torque setting (position 1), turn tool off and permit to stop. Slide gear shifter button (4) away from the chuck.
- To select the high speed, low torque setting (position 2), turn tool off and permit to stop. Slide gear shifter button back toward the chuck.

Note: Do not change gears when tool is running. If you are having trouble changing gears, make sure that the dual range gear button is either completely pushed forward or completely pushed back.

Screw driving

- For driving fasteners, the forward/reverse button should be pushed to the left.
- Use reverse (button pushed to the right) for removing fasteners.

Note: When moving from forward to reverse, or vice versa, always release the trigger switch first.

Drilling

- Use sharp drill bits only.
- Support and secure work properly, as instructed in the Safety Instructions.
- Use appropriate and required safety equipment, as instructed in the Safety Instructions.
- Secure and maintain work area, as instructed in the Safety Instructions.
- Run the drill very slowly, using light pressure, until the hole is started enough to keep the drill bit from slipping out of it.
- Apply pressure in a straight line with the bit. Use enough pressure to keep the bit biting but not so much as to stall the motor or deflect the bit.
- Hold the drill firmly with two hands, one hand on the handle, and the other gripping the bottom around the battery area or the auxiliary handle if provided.
- DO NOT CLICK THE TRIGGER OF A STALLED DRILL OFF AND ON IN AN ATTEMPT TO START IT. DAMAGE TO THE DRILL CAN RESULT.
- Minimize stalling on breakthrough by reducing pressure and slowly drilling through the last part of the hole.
- Keep the motor running while pulling the bit out of a drilled hole. This will help reduce jamming.
- Make sure switch turns drill on and off.

Drilling in wood

Holes in wood can be made with the same twist drill bits used for metal or with spade bits. These bits should be sharp and should be pulled out frequently when drilling to clear chips from the flutes.

Drilling in metal

Use a cutting lubricant when drilling metals.

The exceptions are cast iron and brass which should be drilled dry. The cutting lubricants that work best are sulphurized cutting oil.

LED work light (Fig H)

When drill is activated by pulling the trigger switch (1), the integrated LED work light (8) will automatically illuminate the work area.

Note: The work light is for lighting the immediate work surface and is not intended to be used as a flashlight.

Troubleshooting

Problem	Possible cause	Possible solution
Unit will not start.	Battery pack not installed properly.	Check battery pack installation.
	Battery pack not charged.	Check battery pack charging requirements
Unit starts immediately upon inserting battery	The switch has been left in the "on" position.	The switch must be moved to "off" to prevent the tool from immediately starting when battery is inserted.
Battery pack will not charge.	Battery pack not inserted into charger.	Insert battery pack into charger until LED lights.
	Charger not plugged in. Surrounding air temperature too hot or too cold.	Plug charger into a working outlet. Move charger and battery pack to a surrounding air temperature of above 45° C or below +40.5° C.
Unit shuts off abruptly.	Battery pack has reached its maximum thermal limit.	Allow battery pack to cool down.
	Out of charge. (To maximize the life of the battery pack it is designed to shutoff abruptly when the charge is depleted)	Place on charger and allow to charge.

Maintenance

Your STANLEY FATMAX tool has been designed to operate over a long period of time with a minimum of maintenance. Continuous satisfactory operation depends upon proper tool care and regular cleaning.

Your charger does not require any maintenance apart from regular cleaning.



Warning! Before performing any maintenance on the tool, remove the battery from the tool. Unplug the charger before cleaning it.

- Regularly clean the ventilation slots in your tool and charger using a soft brush or dry cloth.
- Regularly clean the motor housing using a damp cloth.
- Do not use any abrasive or solvent-based cleaner.

Protecting the environment



Separate collection. Products and batteries marked with this symbol must not be disposed of with normal household waste.

Products and batteries contain materials that can be recovered or recycled reducing the demand for raw materials. Please recycle electrical products and batteries according to local provisions. Further information is available at www.2helpU.com

Technical data

		SCD708
Voltage	V _{DC}	18V
No-load speed	Min ⁻¹	0-400/0-1500
Max. torque	Nm	52
Chuck capacity	mm	13
Max Drilling capacity		
Steel/wood/masonry	mm	13/35/13
Weight	kg	1.2

Charger		SC125	SC200	SC400 SC401
Input Voltage	V _{AC}	220-240	220-240	220-240
Output Voltage	V _{DC}	18V (20V MAX)	18V (20V MAX)	18V (20V MAX)
Current	A	1.25	2	4

Battery		SB201	SB202	SB204	SB206
Voltage	V _{DC}	18V (20V MAX)	18V (20V MAX)	18V (20V MAX)	18V (20V MAX)
Capacity	Ah	1.5	2.0	4.0	6.0
Type		Li-Ion	Li-Ion	Li-Ion	Li-Ion

Level of sound pressure according to EN62841:

Sound pressure (L_{pA}) 70.0 dB(A), uncertainty (K) 5 dB(A)

Sound power (L_{WA}) 81.0 dB(A), uncertainty (K) 5 dB(A)

Vibration total values (triax vector sum) according to EN62841:

Drilling into metal (a_{h,D}) 1.2 m/s², uncertainty (K) 1.5 m/s²

EC declaration of conformity

MACHINERY DIRECTIVE



SCD708 - Drill

STANLEY Europe declares that these products described under "technical data" are in compliance with:
EN62841-1:2015 , EN62841-2-1:2018.

These products also comply with Directive 2006/42/EC, 2014/30/EU and 2011/65/EU. For more information, please contact STANLEY Europe at the following address or refer to

the back of the manual.

For more information, please contact STANLEY FATMAX at the following address or refer to the back of the manual.

The undersigned is responsible for compilation of the technical file and makes this declaration on behalf of
STANLEY FATMAX.

A handwritten signature in black ink that reads "Patrick Diepenbach". The signature is written in a cursive, flowing style.

Patrick Diepenbach
Technical Director of Engineering
STANLEY Europe, Egide Walschaertsstraat14-18,
2800 Mechelen, Belgium
11.03.2021

Guarantee

STANLEY FATMAX is confident of the quality of its products and offers consumers a 12 month guarantee from the date of purchase. This guarantee is in addition to and in no way prejudices your statutory rights. The guarantee is valid within the territories of the Member States of the European Union and the European Free Trade Area.

To claim on the guarantee, the claim must be in accordance with STANLEY FATMAX Terms and Conditions and you will need to submit proof of purchase to the seller or an authorised repair agent. Terms and conditions of the STANLEY FATMAX 1 year guarantee and the location of your nearest authorised repair agent can be obtained on the Internet at www.2helpU.com, or by contacting your local STANLEY FATMAX office at the address indicated in this manual.

Please visit our website www.stanleytools.eu/3 to register your new STANLEY FATMAX product and receive updates on new products and special offers

Назначение

Дрель-шуруповерт STANLEY FATMAX SCD708 предназначена для заворачивания винтов, а также для высверливания отверстий в дереве, металле и пластиках. Данный инструмент предназначен для профессионального использования, а также для бытового использования частными пользователями.

Правила техники безопасности

Общие правила безопасности при работе с электроинструментом



Внимание! Прочитайте и просмотрите все предупреждения, инструкции, иллюстрации и спецификации по данному электроинструменту.

Несоблюдение представленных ниже предупреждений и инструкций может привести к поражению электрическим током, возгоранию и/или тяжелым травмам.

Сохраните все инструкции для последующего обращения к ним.

Термин «электроинструмент» во всех приведенных ниже предупреждениях относится к питаемому от электросети (проводному) или от аккумуляторных батарей (беспроводному) электроинструменту.

1. Безопасность на рабочем месте

- a. Следите за чистотой и хорошим освещением на рабочем месте. Беспорядок или плохое освещение на рабочем месте могут стать причиной несчастного случая.
- b. Запрещается работать с электроинструментами во взрывоопасных местах, например, вблизи легковоспламеняющихся жидкостей, газов и пыли. Искры, которые появляются при работе электроинструментов могут привести к воспламенению пыли или паров.
- c. Следите за тем, чтобы во время работы с электроинструментом в зоне работы не было посторонних и детей. Отвлекаясь от работы вы можете потерять контроль над инструментом.

2. Электробезопасность

- a. Штепсельная вилка электроинструмента должна соответствовать розетке. Никогда не меняйте вилку инструмента. Запрещается использовать переходники к вилкам для электроинструментов с заземлением. Использование оригинальных штепсельных вилок, соответствующих типу сетевой розетки снижает риск поражения электрическим током.

- b. Избегайте контакта с заземленными поверхностями, такими как трубы, радиаторы и холодильники. Если вы будете заземлены, увеличивается риск поражения электрическим током.
 - c. Запрещается оставлять электроинструмент под дождем и в местах повышенной влажности. При попадании воды в электроинструмент, риск поражения электрическим током возрастает.
 - d. Берегите кабель от повреждений. Никогда не используйте кабель для переноски электроинструмента, не тяните за него, пытайтесь отключить инструмент от сети. Держите кабель подальше от источников тепла, масла, острых углов или движущихся предметов. Поврежденный или запутанный кабель питания повышает риск поражения электрическим током.
 - e. При работе с электроинструментом вне помещения необходимо пользоваться удлинителем, рассчитанным на эксплуатацию в соответствующих условиях. Использование кабеля питания, предназначенного для использования вне помещения, снижает риск поражения электрическим током.
 - f. При необходимости эксплуатации устройства в местах с повышенной влажностью используйте устройство защитного отключения (УЗО). Использование УЗО снижает риск поражения электрическим током.
3. Обеспечение индивидуальной безопасности
 - a. При работе с электроинструментом сохраняйте бдительность, следите за своими действиями и руководствуйтесь здравым смыслом. Не работайте с электроинструментом, если вы устали, находитесь в состоянии наркотического, алкогольного опьянения или под воздействием лекарственных препаратов. Невнимательность при работе с электроинструментом может привести к серьезным травмам.
 - b. Используйте средства индивидуальной защиты. Всегда надевайте защитные очки. Средства защиты, такие как пылезащитная маска, обувь с нескользящей подошвой, каска и защитные наушники, используемые при работе, уменьшают риск получения травм.
 - c. Примите меры для предотвращения случайного включения. Перед тем как подключить электроинструмент к сети и/или аккумуляторной батарее, возьмите инструмент или перенести его в другое место, убедитесь в том, что выключатель находится в положении «Выкл.». Если при

- переноске электроинструмента он подключен к сети, и при этом ваш палец находится на выключателе, это может стать причиной несчастных случаев.
- d. **Уберите все регулировочные или гаечные ключи перед включением электроинструмента.** Ключ, оставленный на вращающейся части электроинструмента, может привести к травме.
- e. **Не пытайтесь дотянуться до слишком удаленных поверхностей. Всегда твердо стойте на ногах, сохраняя равновесие.** Это позволит лучше контролировать электроинструмент в непредвиденных ситуациях.
- f. **Одевайтесь соответствующим образом. Не носите свободную одежду и ювелирные украшения.** Следите за тем, чтобы волосы и одежда не попадали под движущиеся детали. Возможно наматывание свободной одежды, ювелирных изделий и длинных волос на движущиеся детали.
- g. **При наличии устройств для подключения оборудования для удаления и сбора пыли необходимо обеспечить правильность их подключения и эксплуатации.** Использование устройства для пылеудаления сокращает риски, связанные с пылью.
- h. **Не позволяйте хорошему знанию от частого использования инструментов стать причиной самонадеянности и игнорирования правил техники безопасности.** Небрежное действие может повлечь серьезные травмы за долю секунды.
4. **Эксплуатация электроинструмента и уход за ним**
- a. **Избегайте чрезмерной нагрузки электроинструмента. Используйте электроинструмент в соответствии с назначением.** Правильно подобранный электроинструмент выполнит работу более эффективно и безопасно при стандартной нагрузке.
- b. **Не пользуйтесь инструментом, если не работает выключатель.** Любой инструмент, управляемый выключением и включением которого невозможно, опасен, и его необходимо отремонтировать.
- c. **Перед выполнением любых настроек, сменой дополнительных принадлежностей или прежде чем убрать инструмент на хранение, отключите его от сети и/или снимите с него аккумуляторную батарею, если ее можно снять.** Такие превентивные меры безопасности сокращают риск случайного включения электроинструмента.
- d. **Храните электроинструмент в недоступном для детей месте и не позволяйте работать с инструментом людям, не имеющим соответствующих навыков работы с такого рода инструментами.** Электроинструмент представляет опасность в руках неопытных пользователей.
- e. **Поддерживайте электроинструмент и принадлежности в исправном состоянии. Проверьте движущиеся детали на точность совмещения или заклинивание, наличие поломок или каких-либо других условий, которые могут повлиять на эксплуатацию электроинструмента. В случае обнаружения повреждений, прежде чем приступить к эксплуатации электроинструмента, его следует отремонтировать.** Большинство несчастных случаев происходит из-за электроинструментов, которые не обслуживаются должным образом.
- f. **Следите за остротой заточки и чистой режущей принадлежностей.** Вероятность заклинивания инструмента, за которым следят должным образом и который хорошо заточен, значительно меньше, а работать с ним легче.
- g. **Используйте данный электроинструмент, а также дополнительные приспособления и насадки в соответствии с данными инструкциями и с учетом условий и специфики работы.** Использование электроинструмента для выполнения операций, для которых он не предназначен, может привести к созданию опасных ситуаций.
- h. **Все рукоятки и поверхности захватывания должны быть сухими и без следов смазки.** Скользкие рукоятки и поверхности захватывания не позволяют обеспечить безопасность работы и управления инструментом в непредвиденных ситуациях.
5. **Использование инструментов с аккумуляторами и уход за ними**
- a. **Используйте для зарядки аккумуляторной батареи только указанное производителем зарядное устройство.** Использование зарядного устройства определенного типа для зарядки других батарей может привести к возгоранию.
- b. **Используйте для электроинструмента только батареи указанного типа.** Использование других аккумуляторных батарей может стать причиной травмы и пожара.
- c. **Оберегайте батарею от попадания в нее скрепок, монет, ключей, гвоздей, болтов или других мелких металлических предметов, которые могут вызывать замыкание контактов.** Короткое замыкание контактов аккумуляторной батареи может привести к пожару или получению ожогов.
- d. **При повреждении аккумуляторной батареи, из нее может вытечь электролит. При случайном контакте с электролитом смойте его водой. При попадании**

электролита в глаза обратитесь за медицинской помощью. Жидкость, находящаяся внутри аккумуляторной батареи, может вызвать раздражение или ожоги.

- e. **Не используйте поврежденные или измененные аккумуляторные батареи или инструменты.** Поврежденные или измененные аккумуляторные батареи могут работать непредсказуемо, что может привести к возгоранию, взрыву или риску получения травм.
- f. **Не подвергайте аккумуляторные батареи или инструмент воздействию огня или повышенной температуры.** Открытый огонь или воздействие высокой температуры выше 130 °C может привести к взрыву.
- g. **Следуйте всем инструкциям по зарядке и не заряжайте аккумуляторную батарею или инструмент вне температурного диапазона, указанного в инструкции.** Неправильная зарядка или зарядка вне указанного температурного диапазона может привести к повреждению батареи и увеличить риск возгорания.

6. Сервисное обслуживание

- a. **Обслуживание электроинструмента должно выполняться только квалифицированным техническим персоналом. Это позволит обеспечить безопасность обслуживаемого инструмента.**
- b. **Не выполняйте обслуживание поврежденных аккумуляторных батарей. Обслуживание аккумуляторных батарей должно выполняться только производителем или авторизованными поставщиками услуг.**

1) Правила техники безопасности для всех видов работ

- a. **Перед использованием правильно захватите инструмент.** Инструмент создает высокий крутящий момент, что, в отсутствие должного крепления во время работы, может привести к потере управления и последующим травмам.
- b. **Удерживайте инструмент за изолированные поверхности захватывания при выполнении работ, во время которых имеется вероятность контакта инструмента со скрытой электропроводкой.** Если вы держитесь за металлические детали инструмента, то в случае перерезания находящегося под напряжением провода, возможно поражение оператора электрическим током.

2) Правила техники безопасности при использовании длинных сверл

- a. **Не работайте со скоростью выше максимальной рекомендуемой скорости насадки.** На более высокой скорости повышается вероятность искривления насадки при свободном вращении без контакта с заготовкой, что может повлечь за собой травмы.
- b. **Всегда начинайте сверлить на низкой скорости и только при контакте насадки с заготовкой.** На более высокой скорости повышается вероятность искривления насадки при свободном вращении без контакта с заготовкой, что может повлечь за собой травмы.
- c. **Прилагайте усилие только параллельно насадке и не прилагайте чрезмерное усилие.** Это может погнуть насадку, что может привести к поломке или потере управления, что может повлечь за собой травмы.

Дополнительные правила техники безопасности для шуруповертов

- **Удерживайте инструмент за изолированные поверхности захватывания при выполнении работ, во время которых имеется вероятность контакта крепежного элемента со скрытой электропроводкой.** Если вы держитесь за металлические детали инструмента, в случае соприкосновения с находящимся под напряжением провода возможно поражение оператора электрическим током.
- **Используйте зажимы или другие уместные средства фиксации заготовки на стабильной опоре.** Держать заготовку на весу или в руках перед собой неудобно и это может привести к потере контроля над инструментом.
- **Перед заворачиванием крепежных элементов в стены, полы или потолки проверьте места прохождения проводки и трубопровода.**
- **Назначение инструмента описывается в данном руководстве по эксплуатации.**
- **Использование любых принадлежностей или приспособлений, а также выполнение данным инструментом любых видов работ, не рекомендованных данным руководством по эксплуатации, может привести к несчастному случаю и/или повреждению личного имущества.**

Безопасность окружающих

- **Данный инструмент не предназначен для использования лицами (включая детей) с ограниченными физическими, сенсорными или умственными способностями, а также лицами**

без достаточного опыта и знаний, если они не находятся под наблюдением лица, отвечающего за их безопасность, или не получают от такого лица указания по использованию инструмента.

- Не позволяйте детям играть с данным инструментом.

Остаточные риски

При работе с инструментом возможно возникновение дополнительных остаточных рисков, которые не вошли в описанные здесь правила техники безопасности. Это может произойти при неправильной эксплуатации или продолжительном использовании инструмента и т. п. Несмотря на соблюдение соответствующих инструкций по технике безопасности и использование предохранительных устройств, некоторые остаточные риски невозможно полностью исключить. К ним относятся:

- Травмы в результате касания вращающихся/ движущихся частей.
- Травмы, которые могут произойти в результате смены деталей, лезвий или аксессуаров.
- Травмы, связанные с продолжительным использованием инструмента. При использовании любого инструмента в течение продолжительного периода времени не забывайте делать перерывы.
- Ухудшение слуха.
- Ущерб здоровью в результате вдыхания пыли в процессе работы с инструментом (например, при обработке древесины, в особенности, дуба, бука и МДФ.)

Вибрация

Заявленные значения вибрации, указанные в технических спецификациях и заявлении о соответствии, были измерены в соответствии со стандартным методом тестирования EN62841 и пригодны для сравнения инструментов.

Приведенные значения уровня вибрации могут также использоваться для предварительной оценки величины вибрационного воздействия.



Внимание! Значения вибрационного воздействия при работе с электроинструментом зависят от вида работ, выполняемых данным инструментом, и могут отличаться от заявленных значений. Уровень вибрации может быть выше заявленного.

При оценке уровня вибрации для определения меры безопасности, предусмотренного 2002/44/ЕС для защиты людей, регулярно пользующихся электроинструментом при работе, нужно принимать во внимание уровень вибрации, реальные условия использования и способ использования инструмента, а также учитывать все этапы цикла работы – когда инструмент выключается, когда он работает на холостом ходу, а также время переключения с одного режима на другой.

Условные обозначения на инструменте

На инструмент нанесены следующие обозначения вместе с кодом даты:



Внимание! Во избежание риска получения травм прочтите руководство по эксплуатации.

Дополнительные правила техники безопасности при работе с аккумуляторными батареями и зарядными инструментами

Аккумуляторные батареи

- Никогда не пытайтесь разобрать аккумуляторные батареи.
- Не подвергайте аккумуляторные батареи воздействию воды.
- Не оставляйте в местах, где температура превышает 40 °С.
- Заряжайте только при температуре от 10 °С до 40 °С.
- Заряжайте аккумуляторные батареи только в зарядном устройстве, которое прилагается к инструменту.
- При утилизации батарей следуйте инструкциям, указанным в разделе «Защита окружающей среды».

Зарядные устройства

- Используйте зарядное устройство STANLEY FATMAX только для зарядки аккумуляторной батареи того инструмента, с которым оно поставлялось. Использование аккумуляторных батарей другого типа может привести к взрыву, травмам и повреждениям.
- Никогда не пытайтесь заряжать одноразовые батареи.
- Немедленно заменяйте поврежденный кабель питания.
- Не подвергайте зарядное устройство воздействию воды.
- Не вскрывайте зарядное устройство.
- Не разбирайте зарядное устройство.



Зарядное устройство можно использовать только в помещении.



Перед началом работы прочтите руководство по эксплуатации.



Не пытайтесь заряжать поврежденные аккумуляторные батареи.

Электробезопасность



Ваше зарядное устройство имеет двойную изоляцию, поэтому не требует заземления. Необходимо обязательно убедиться в том, что напряжение источника питания соответствует указанному на паспортной табличке устройства. Никогда не пытайтесь заменить зарядное устройство обычной сетевой вилкой.

- При повреждении кабеля питания, во избежание рисков, замените его у производителя или в официальном сервисном центре STANLEY FATMAX.



Внимание! Никогда не пытайтесь заменить зарядное устройство обычной сетевой вилкой.

Составные части

Инструмент может содержать все или некоторые из перечисленных ниже составных частей.

1. Курковый пусковой выключатель
2. Переключатель направления вращения
3. Муфта установки крутящего момента
4. Переключатель скоростей
5. Быстрозажимной патрон
6. Аккумуляторная батарея
7. Отпирающая кнопка батареи
8. Светодиодная подсветка

Эксплуатация



Внимание! Инструмент должен работать в обычном режиме.

Не подвергайте инструмент повышенным нагрузкам.

Зарядка аккумуляторной батареи (Рис. А)

Аккумуляторную батарею нужно заряжать перед первым использованием и каждый раз, когда заряда недостаточно для выполняемых работ.

Во время зарядки аккумуляторная батарея нагревается, это нормально и не означает неисправность.



Внимание! Не заряжайте батарею при температуре окружающей среды ниже 10 °С или выше 40 °С. Рекомендуемая температура при зарядке: приблизительно 24 °С.

Примечание: Зарядное устройство не будет заряжать аккумуляторную батарею, если температура элемента ниже 10 °С или выше 40 °С.

Аккумуляторную батарею нужно оставить в зарядном устройстве; зарядка начнется автоматически, когда температура элемента аккумуляторной батареи выровняется до нормальных значений.

Примечание: Чтобы обеспечить максимальную производительность и срок службы ионно-литиевых

батарей, перед первым использованием полностью зарядите аккумуляторную батарею.

- Перед установкой аккумуляторной батареи (6) подключите зарядное устройство (9) к соответствующей розетке.
- Зеленый индикатор зарядки (9a) начнет мигать, означая, что процесс зарядки начался.
- По окончании зарядки, зеленый индикатор зарядки (9a) будет гореть непрерывно, не мигая. Теперь батарея (6) полностью заряжена, и ее можно использовать или оставить в зарядном устройстве.
- Разряженные аккумуляторные батареи заряжайте в течение 1 недели после разрядки. Срок службы аккумуляторной батареи значительно уменьшается, если ее хранить в разряженном состоянии.

Режимы горения светодиодного индикатора зарядного устройства

	Зарядка: Мигающий зеленый светодиод	
	Полностью заряжен: Непрерывно горящий зеленый светодиод	
	Температурная задержка: Мигающий зеленый светодиод Непрерывно горящий красный светодиод	

Примечание: Зарядное(-ые) устройство(-а) не сможет(-гут) зарядить неисправную аккумуляторную батарею.

При неисправной аккумуляторной батарее индикатор на зарядном устройстве не загорится.

Примечание: Также это может указывать на проблему с зарядным устройством. Если зарядное устройство указывает на наличие проблемы, проверьте аккумуляторную батарею и зарядное устройство в авторизованном сервисном центре.

Хранение аккумуляторной батареи в зарядном устройстве

Аккумуляторную батарею можно оставлять в зарядном устройстве на неопределенное время, когда горит светодиод. Зарядное устройство будет поддерживать полную зарядку аккумуляторной батареи.

Температурная задержка

При слишком низкой или слишком высокой температуре батареи, зарядное устройство автоматически переходит в режим температурной задержки: зеленый светодиод (9a) будет мигать, в то время как красный светодиод (9b) будет

гореть постоянно; при этом зарядка не начинается до тех пор, пока батарея не достигнет нужной температуры. Как только нужная температура будет достигнута, устройство автоматически перейдет в режим зарядки. Данная функция обеспечивает максимальный срок эксплуатации аккумуляторной батареи.

Индикатор заряда (Рис. В)

Аккумуляторная батарея имеет индикатор заряда, который позволяет быстро установить состояние заряда батареи, как показано на Рис. В. Нажатие кнопки заряда (6а) позволяет легко посмотреть оставшийся заряд батареи, как показано на Рис. В.



Установка и извлечение аккумуляторной батареи из инструмента

Внимание! Проверьте, нажата ли кнопка блокировки, чтобы исключить вероятность срабатывания пускового выключателя при извлечении или установке батареи.

Установка батареи (Рис. С)

- Вставьте аккумуляторную батарею в инструмент до щелчка, как показано на Рис. С. Убедитесь, что батарея полностью вошла и зафиксирована на месте.

Извлечение батареи (Рис. D)

- Нажмите на отпирающую кнопку батареи (7), как показано на Рис. D, и извлеките аккумуляторную батарею из инструмента.

Крепление для ремня (дополнительная принадлежность) (Рис. Е, F)

Внимание! Чтобы снизить риск получения серьезной травмы, устанавливайте переключатель направления вращения в положение выключения или выключайте инструмент и отсоединяйте батарею, прежде чем выполнять какую-либо регулировку либо удалять/устанавливать какие-либо дополнительные приспособления. Случайный запуск может привести к травме.

Внимание! Во избежание получения травмы или повреждения инструмента, подвешивайте инструмент на ремень ТОЛЬКО за крепление для ремня (10). ЗАПРЕЩАЕТСЯ использовать крепление для ремня для крепления инструмента во время эксплуатации. НЕ ПОДВЕШИВАЙТЕ инструмент над головой и не прицепляйте другие объекты к креплению для ремня.

Внимание! Во избежание получения серьезной травмы убедитесь в том, что винт (11) крепления для ремня хорошо затянут.

Примечание: Прикрепляя или меняя крепление для ремня (10), используйте только входящий в комплектацию винт (11). Убедитесь в надежности затяжки винта. Крепление для ремня (10) можно закреплять в пазах (12) с любой стороны инструмента, чтобы им могли пользоваться люди с ведущей правой или левой рукой, и исключительно с помощью винта (11), поставляемого в комплекте с устройством. Если крепление не нужно, его можно снять с инструмента.

Чтобы передвинуть крепление для ремня (10), открутите винт (11), удерживающий его, и установите его на противоположной стороне. Убедитесь в надежности затяжки винта (11).

Примечание: Доступны различные крюки для настенных направляющих и конфигураций хранения. Дополнительную информацию см. на нашем веб-сайте по адресу www.stanleytools.eu/3.

Быстрозажимной патрон (Рис. G)

Внимание! Убедитесь в том, что аккумуляторная батарея извлечена из инструмента, чтобы исключить вероятность срабатывания инструмента при снятии или установке дополнительных принадлежностей.

Чтобы вставить насадку или другую принадлежность:

- Возьмитесь за патрон (5) и поворачивайте его против часовой стрелки, если смотреть с конца патрона.
- Вставьте насадку (13) или другую принадлежность в патрон до упора и надежно затяните, поворачивая патрон по часовой стрелке, если смотреть с конца патрона.

Внимание! Не пытайтесь затягивать или ослаблять насадки (или любую другую принадлежность), удерживая патрон и включая инструмент.

При смене принадлежностей можно повредить патрон и получить травму.

Курковый пусковой выключатель и переключатель направления вращения (Рис. H)

- Дрель включается и выключается нажатием и отпусканием куркового пускового выключателя (1), как показано на Рис. H. Чем сильнее нажат выключатель, тем выше скорость дрели.
- Переключатель направления вращения (2) определяет направление вращения инструмента, а также используется для блокировки инструмента.
- Для установки вращения вперед отпустите курковый пусковой выключатель и нажмите на переключатель направления вращения с правой стороны инструмента.

- Для установки вращения назад нажмите на переключатель направления вращения с левой стороны инструмента.
- Центральное положение переключателя направления вращения блокирует инструмент в выключенном положении. При изменении положения переключателя направления вращения, пусковой выключатель должен быть отпущен.

Регулировка крутящего момента (Рис. I)

Данный инструмент оборудован муфтой установки крутящего момента (3), позволяющей выбирать режим работы и настроить крутящий момент для заворачивания винтов. Для крупных винтов и жестких рабочих материалов требуется больший крутящий момент, чем для маленьких винтов и мягких материалов.

- Для сверления отверстий в дереве, металле и пластике, установите муфту (3) в положение сверления, отмеченное соответствующим символом.
- Для заворачивания установите муфту в нужное положение. Если вы не уверены в правильности настройки, следуйте, как описано ниже:
 - ◆ Установите муфту на самое малое значение крутящего момента.
 - ◆ Затяните первый винт.
 - ◆ Если до завершения операции муфта пробуксовывает, увеличьте крутящий момент и продолжите заворачивание.
 - ◆ Повторяйте до тех пор, пока не найдете нужные значения настроек.
 - ◆ Используйте эту настройку для остальных винтов.

Переключатель скоростей (Рис. J)

Двухскоростной редуктор вашего инструмента позволяет легко переключаться с одной скорости на другую для максимальной универсальности применения инструмента.

- Для работы на низкой скорости с высоким крутящим моментом (положение 1), выключите инструмент и дождитесь его остановки. Сдвиньте переключатель скоростей (4) назад от патрона.
- Для работы на высокой скорости с низким крутящим моментом (положение 2), выключите инструмент и дождитесь его остановки. Сдвиньте переключатель скоростей обратно к патрону.

Примечание: Не переключайте скорости на работающем инструменте. В случае затрудненного переключения скоростей, убедитесь в том, что переключатель сдвинут до упора вперед либо назад.

Заворачивание

- Для заворачивания саморезов полностью вдвиньте переключатель направления вращения влево.
- Используйте направление назад (кнопка, нажатая вправо) для извлечения крепежных элементов.

Примечание: При переключении направления

вращения всегда сначала отпустите курковый пусковой выключатель.

Сверление

- Используйте только хорошо заточенные насадки.
- Работайте только с надежно установленными и закрепленными заготовками, как указано в правилах техники безопасности.
- Используйте соответствующие и необходимые средства индивидуальной защиты, как указано в правилах техники безопасности.
- Содержите рабочее место в чистоте и порядке, как указано в правилах техники безопасности.
- Вводите дрель очень медленно, с приложением небольшого усилия до тех пор, пока просверленное отверстие не будет достаточно большим, чтобы предотвратить выскальзывание насадки.
- Прилагайте усилие параллельно насадке. Прилагайте усилия, достаточные для работы насадки, но не прилагайте чрезмерных усилий во избежание остановки двигателя или деформации насадки.
- Крепко удерживайте дрель двумя руками, одной рукой на рукоятке и другой рукой за нижнюю часть корпуса рядом с батарейным отсеком или на дополнительной рукоятке, если таковая имеется.
- НЕ НАЖИМАЙТЕ НА КУРКОВЫЙ ПУСКОВОЙ ВЫКЛЮЧАТЕЛЬ, ЧТОБЫ ЗАПУСТИТЬ ОСТАНОВИВШУЮСЯ ДРЕЛЬ. ЭТО МОЖЕТ ПОВРЕДИТЬ ДРЕЛЬ.
- Сводите заклинивание при прорыве к минимуму путем уменьшения усилия и медленного сверления последнего участка отверстия.
- Не выключайте электродвигатель при извлечении насадки из высверленного отверстия. Это поможет уменьшить риск ее зажатия.
- Убедитесь, что выключатель включает и выключает дрель.

Сверление древесины

Для высверливания отверстий в древесине можно использовать те же спиральные сверла, что и для металла или перовые сверла. Данные сверла должны быть острыми и часто выниматься при сверлении для очистки кромок канавок от щепок.

Сверление металла

При сверлении металла используйте смазочно-охлаждающую жидкость.

Исключения составляют чугун и латунь – их следует сверлить сухими. Наиболее эффективные смазочные материалы – сульфированная СОЖ.

Светодиодная подсветка (Рис. H)

При включении дрели нажатием на курковый пусковой выключатель (1), встроенная светодиодная подсветка (8) автоматически подсветит область работы.

Примечание: Подсветка предназначена для освещения рабочей поверхности и не может использоваться в качестве фонаря.

Неисправности и способы их устранения

Неисправность	Возможная причина	Возможное решение
Инструмент не включается.	Аккумуляторная батарея установлена неправильно. Аккумуляторная батарея не заряжена.	Проверьте правильность установки аккумуляторной батареи. Проверьте требования по зарядке аккумуляторной батареи
Инструмент включается сразу после установки аккумуляторной батареи	Пусковой выключатель оставлен в положении включения.	Выключатель следует установить в положении выключения, чтобы предотвратить немедленный запуск инструмента после установки батареи.
Аккумуляторная батарея не заряжается.	Аккумуляторная батарея не вставлена в зарядное устройство. Зарядное устройство не подключено к сети. Температура окружающей среды слишком высокая или слишком низкая.	Вставьте аккумуляторную батарею в зарядное устройство так, чтобы загорелся светодиод. Подключите зарядное устройство к рабочей розетке. Переместите зарядное устройство или аккумуляторную батарею в место с температурой выше +4,5 °C или ниже +40,5 °C.
Инструмент внезапно выключается.	Аккумуляторная батарея нагрелась до предельно допустимой температуры. Аккумуляторная батарея разряжена. Чтобы увеличить срок службы аккумуляторной батареи, ее конструкция предусматривает отключение после разрядки	Позвольте аккумуляторной батарее остыть. Установите в зарядное устройство и позвольте зарядиться.

Техническое обслуживание

Ваш инструмент STANLEY FATMAX имеет длительный срок эксплуатации и требует минимальных затрат на техобслуживание. Для длительной безотказной работы необходимо обеспечить правильный уход за инструментом и его регулярную чистку. Зарядное устройство не требует никакого обслуживания кроме регулярной чистки.



Внимание! Перед выполнением любых работ по обслуживанию инструмента, извлекайте аккумуляторную батарею из инструмента. Перед чисткой зарядного устройства отключите его от источника питания.

- Регулярно очищайте вентиляционные прорези инструмента и зарядного устройства мягкой щеткой или сухой тканевой салфеткой.
- Регулярно очищайте корпус двигателя влажной тканью.
- Не используйте никакие абразивные чистящие средства или средства на основе растворителей.

Защита окружающей среды



Отдельная утилизация. Изделия и аккумуляторные батареи с данным символом на маркировке запрещается утилизировать с обычными бытовыми отходами.

Изделия и аккумуляторные батареи содержат материалы, которые могут быть извлечены или переработаны, снижая потребность в исходном сырье.

Пожалуйста, утилизируйте электрические изделия и аккумуляторные батареи в соответствии с местными нормами. Дополнительная информация доступна по адресу www.2helpU.com

Технические характеристики

		SCD708	
Напряжение	V _{пост. тока}	18 В	
Скорость без нагрузки	Мин ⁻¹	0-400/0-1500	
Макс. крутящий момент	Нм	52	
Патрон	мм	13	
Максимальный диаметр сверления			
Сталь/дерево/каменная кладка	мм	13/35/13	
Вес	кг	1,2	

Зарядное устройство		SC125	SC200	SC400 SC401
Входное напряжение	V _{перем. тока}	220-240	220-240	220-240
Выходное напряжение	V _{пост. тока}	18 В (20 В макс.)	18 В (20 В макс.)	18 В (20 В макс.)
Ток	А	1,25	2	4

Аккумуляторная батарея		SB201	SB202	SB204	SB206
Напряжение	V _{пост. тока}	18 В (20 В макс.)	18 В (20 В макс.)	18 В (20 В макс.)	18 В (20 В макс.)
Емкость	Ач	1,5	2,0	4,0	6,0
Тип		Ионно-литиевая	Ионно-литиевая	Ионно-литиевая	Ионно-литиевая

Уровень звукового давления согласно EN62841:Звуковое давление (L_{pA}) 70,0 дБ(А), погрешность (К) 5 дБ(А)Акустическая мощность (L_{WA}) 81,0 дБ (А), погрешность (К) 5 дБ (А)**Сумма величин вибрации (сумма векторов по трем осям), измеренных в соответствии со стандартом EN62841:**Сверление в металле ($a_{n,D}$) 1,2 м/с², погрешность (К) 1,5 м/с²**Заявление о соответствии нормам ЕС**

ДИРЕКТИВА ПО МЕХАНИЧЕСКОМУ ОБОРУДОВАНИЮ



Дрель - SCD708

STANLEY Europe заявляет, что продукция, описанная в разделе «Технические характеристики», соответствует: EN62841-1:2015, EN62841-2-1:2018.

Эти изделия также соответствуют Директивам 2006/42/ЕС, 2014/30/EU и 2011/65/EU. За дополнительной информацией обращайтесь в STANLEY Europe по адресу, указанному ниже или приведенному на задней стороне обложки

руководства.

За дополнительной информацией обращайтесь в STANLEY Europe по адресу, указанному ниже или приведенному на задней стороне обложки руководства.

Нижеподписавшийся несет ответственность за составление технической документации и составил данную декларацию по поручению компании STANLEY FATMAX.

Patrick Diepenbach

Генеральный директор, Бенилюкс,
Black and Decker, Egide Walschaertsstraat14-18,
2800 Mechelen, Бельгия
11.03.2021

продавцу или авторизованному специалисту по ремонту подтверждение покупки. Положения и условия гарантии STANLEY FATMAX на 1 год и местонахождение ближайшего авторизованного специалиста по ремонту можно узнать через Интернет по адресу www.2helpU.com, или связавшись с местным представительством STANLEY FATMAX по адресу, указанному в данном руководстве.

Посетите наш веб-сайт www.stanleytools.eu/3, чтобы зарегистрировать свое новое изделие STANLEY FATMAX и получать информацию о новинках и специальных предложениях

Дату изготовления (код даты) указан на корпусе инструмента. Код даты, который так же включает год изготовления, отштампован на поверхности корпуса изделия. Пример: 2021 46 XX, где 2021 – год изготовления, 46-неделя изготовления, XX – код завода изготовителя.

ТОВАР СЕРТИФИЦИРОВАН. Орган по сертификации "РОСТЕСТ- Москва", Адрес: 119049, г. Москва, улица Житная, д. 14, стр. 1; 117418, Москва, Нахимовский просп., 31 (факт.). Тел.: (499) 1292311, (495) 6682893, E-mail: office@rostest.ru

Изготовитель: Изготовитель: Блэк энд Деккер Холдингс ГмбХ, Германия, 65510, Идштайн, ул. Блэк энд Деккер, 40, тел. +496126212790.

Уполномоченное изготовителем юр.лицо: ООО "Стэнли Блэк энд Деккер", 117485, город Москва, улица Обручева, дом 30/1, строение 2, Телефон: + 7 (495) 258-3981, факс: + 7 (495) 258-3984, E-mail: inbox@dewalt.com. Сведения о импортере указаны в сопроводительной документации и/или на упаковке.

Гарантия

STANLEY FATMAX с уверенностью в качестве своей продукции предлагает клиентам гарантию на 12 месяцев с момента покупки. Данная гарантия является дополнительной и ни в коей мере не направлена на ущемление ваших юридических прав. Гарантия действует на территории стран-участниц Европейского союза и в Европейской зоне свободной торговли.

Чтобы подать заявку по гарантии, заявка должна соответствовать положениям и условиям STANLEY FATMAX, кроме того, вам потребуется предъявить



Приложение к руководству по эксплуатации электрооборудования для определения месяца производства по номеру текущей календарной недели года

Электрооборудование торговых марок "Dewalt", "Stanley", "Stanley FatMAX", "BLACK+DECKER".

Директивы 2014/30/EU ЕВРОПЕЙСКОГО ПАРЛАМЕНТА И СОВЕТА от 26 февраля 2014 г. "О гармонизации законодательства Государств-членов ЕС в области электромагнитной совместимости", 2006/42/ЕС ЕВРОПЕЙСКОГО ПАРЛАМЕНТА И СОВЕТА от 17 мая 2006 г. "О машинах и оборудовании"; 2014/35/EU ЕВРОПЕЙСКОГО ПАРЛАМЕНТА И СОВЕТА от 26 февраля 2014 г. "О гармонизации законодательства государств-членов в области размещения на рынке электрооборудования, предназначенного для использования в определенных пределах напряжения". Серийный выпуск.

ТОВАР СЕРТИФИЦИРОВАН

Орган по сертификации "РОСТЕСТ- Москва", Адрес: 119049, г. Москва, улица Житная, д. 14, стр. 1; 117418, Москва, Нахимовский просп., 31 (фактический), Телефон: (499) 1292311, (495) 6682893, Факс: (495) 6682893, E-mail: office@rostest.ru
Изготовитель: Изготовитель: Блэк энд Деккер Холдингс ГмбХ, Германия, 66510, Идштайн, ул. Блэк энд Деккер, 40, тел. +496126212790.

Уполномоченное изготовителем юр.лицо:

ООО "Стэджи Блэк энд Деккер", 117485, город Москва, улица Обручева, дом 30/1, строение 2
Телефон: + 7 (495) 258-3981, факс: + 7 (495) 258-3984, E-mail: info@dewalt.com
Сведения о импортере указаны в сопроводительной документации и/или на упаковке

Хранение.

Необходимо хранить в сухом месте, вдали от источников повышенных температур и воздействия солнечных лучей. При хранении необходимо избегать резкого перепада температур. Хранение без упаковки не допускается

Срок службы.

Срок службы изделия составляет 5 лет. Не рекомендуется к эксплуатации по истечении 5 лет хранения с даты изготовления без предварительной проверки.

Дата изготовления (код даты) указана на корпусе инструмента.

Код даты, который также включает год изготовления, отштампован на поверхности корпуса изделия.

Пример:

2014 46 XX, где 2014 — год изготовления, 46 — неделя изготовления.

Определить месяц изготовления по указанной неделе изготовления можно согласно приведенной ниже таблице.

Транспортировка.

Категорически не допускается падение и любые механические воздействия на упаковку при транспортировке.

При разгрузке/погрузке не допускается использование любого вида техники, работающей по принципу захвата упаковки.

Перечень критических отказов, возможные ошибочные действия персонала.

Не допускается эксплуатация изделия:

- При появлении дыма из корпуса изделия
- При поврежденном и/или оголенном сетевом кабеле
- при повреждении корпуса изделия, защитного кожуха, рукоятки
- при попадании жидкости в корпус
- при возникновении сильной вибрации
- при возникновении сильного искрения внутри корпуса

Критерии предельных состояний.

- При поврежденном и/или оголенном сетевом кабеле
- при повреждении корпуса изделия

Месяц	Январь	Февраль	Март	Апрель	Май	Июнь	Июль	Август	Сентябрь	Октябрь	Ноябрь	Декабрь	Год производства
Неделя	1	5	9	14	18	23	27	31	36	40	44	49	2018
	2	6	10	15	19	24	28	32	37	41	45	50	
	3	7	11	16	20	25	29	33	38	42	46	51	
	4	8	12	17	21	26	30	34	39	43	47	52	
Неделя			13		22			35			48		2019
	1	6	10	14	18	23	27	31	36	40	45	49	
	2	7	11	15	19	24	28	32	37	41	46	50	
	3	8	12	16	20	25	29	33	38	42	47	51	
	4	9	13	17	21	26	30	34	39	43	48	52	
Неделя					22			35		44			2020
	1	6	10	14	19	23	27	32	36	40	45	49	
	2	7	11	15	20	24	28	33	37	41	46	50	
	3	8	12	16	21	25	29	34	38	42	47	51	
	4	9	13	17	22	26	30	35	39	43	48	52	
Неделя				18			31			44			2021
	2	6	10	14	19	23	27	32	36	41	45	49	
	3	7	11	15	20	24	28	33	37	42	46	50	
	4	8	12	16	21	25	29	34	38	43	47	51	
	5	9	13	17	22	26	30	35	39	44	48	52	
Неделя				18			31			40		1	2022
	2	6	10	15	19	23	28	32	36	41	45	49	
	3	7	11	16	20	24	29	33	37	42	46	50	
	4	8	12	17	21	25	30	34	38	43	47	51	
	5	9	13	18	22	26	31	35	39	44	48	52	
Неделя			14			27			40			1	2022

STANLEY
FATMAX

ГАРАНТИЙНЫЙ ТАЛОН

3 ГОДА
ГАРАНТИИ

1. Поздравляем Вас с покупкой высококачественного изделия STANLEY FatMAX и выражаем признательность за Ваш выбор.
2. При покупке изделия требуйте проверки его комплектности и исправности в Вашем присутствии, инструкцию по эксплуатации и заполненный Гарантийный талон на русском языке. В гарантийном талоне должны быть внесены: модель, дата продажи, серийный номер, дата производства инструмента; название, печать и подпись торговой организации. При отсутствии у Вас правильно заполненного Гарантийного талона, а также несоответствия указанных в нем данных, мы будем вынуждены отклонить Ваши претензии по качеству данного изделия.
3. Во избежание недоразумений, убедительно просим Вас перед началом работы с изделием внимательно ознакомиться с инструкцией по его эксплуатации. Правовой основой настоящих гарантийных условий является действующее Законодательство. Гарантийный срок на данное изделие составляет 36 месяцев и исчисляется со дня продажи. В случае устранения недостатков изделия, гарантийный срок продлевается на период его нахождения в ремонте. Срок службы изделия составляет 5 лет со дня продажи.
4. В случае возникновения каких-либо проблем в процессе эксплуатации изделия рекомендуем Вам обращаться только в уполномоченные сервисные центры STANLEY FatMAX, адреса и телефоны которых Вы сможете найти на сайте www.2helpU.com или узнать в магазине. Наши сервисные станции - это не только квалифицированный ремонт, но и широкий ассортимент запчастей и принадлежностей.
5. Производитель рекомендует проводить периодическую проверку и техническое обслуживание изделия в уполномоченных сервисных центрах.
6. Наши гарантийные обязательства распространяются только на неисправности, выявленные в течение гарантийного срока и вызванные дефектами производства и / или материалов.
7. Гарантийные условия не распространяются на неисправности изделия, возникшие в результате:
 - 7.1. Несоблюдения пользователем предписаний инструкции по эксплуатации изделия, применения изделия не по назначению, неправильному хранении, использовании принадлежностей, расходных материалов и запчастей, не предусмотренных производителем.
 - 7.2. Механического повреждения (сколы, трещины и разрушения) внутренних и внешних деталей изделия, основных и вспомогательных рукояток, сетевого электрического кабеля, вызванного внешним ударным или любым иным воздействием.
 - 7.3. Попадания в вентиляционные отверстия и проникновение внутрь изделия посторонних предметов, материалов или веществ, не являющихся отходами, сопровождающим применение изделия по назначению, такими как: стружка, опилки, песок, и пр.
 - 7.4. Воздействия на изделие неблагоприятных атмосферных и иных внешних факторов, таких как дождь, снег, повышенная влажность, нагрев, агрессивные среды, несоответствие параметров питающей электросети, указанных на инструменте.
 - 7.5. Стихийного бедствия. Повреждение или утрата изделия, связанное с непредвиденными бедствиями, стихийными явлениями, в том числе вследствие действия непреодолимой силы (пожар, молния, потоп и другие природные явления), а также вследствие перепадов напряжения в электросети и других причин, которые находятся вне контроля производителя.
8. Гарантийные условия не распространяются:
 - 8.1. На инструменты, подвергавшиеся вскрытию, ремонту или модификации вне уполномоченного сервисного центра.
 - 8.2. На детали и узлы, имеющие следы естественного износа, такие как: приводные ремни и колеса, угольные щетки, смазка, подшипники, зубчатое зацепление редукторов, резиновые уплотнения, сальники, направляющие ролики, муфты сцепления, бойки, толкатели, стволы, и т.п.
 - 8.3. На сменные и расходные части: цанги, зажимные гайки и фланцы, фильтры, ножи, шлифовальные подошвы, цепи, звездочки, пильные шины, защитные кожухи, пилки, абразивы, пильные и абразивные диски, фрезы, сверла, буры и т.п.
 - 8.4. На неисправности, возникшие в результате перегрузки инструмента (как механической, так и электрической), повлекшей выход из строя одновременно двух и более деталей и узлов, таких как ротора и статора, обеих обмоток статора, ведомой и ведущей шестерни редуктора или других узлов и деталей. К безусловным признакам перегрузки изделия относятся, помимо прочего: появление цветов побежалости, деформация или оплавление деталей и узлов изделия, потемнение или обугливание изоляции проводов электродвигателя под воздействием высокой температуры.

Товар получен в исправном состоянии, без видимых повреждений, в полной комплектации, проверен в моем присутствии, претензий по качеству товара не имею. С условиями гарантийного обслуживания ознакомлен и согласен.

Ф. И. О. и подпись покупателя _____

Уважаемые клиенты, наша сеть авторизованных сервисных центров постоянно расширяется. Актуальную информацию об обслуживании в интересующем вас городе вы можете узнать на сайте

www.2helpU.com

Информация об инструменте

Наименование инструмента	
Модель	
Наименование продавца	
Дата продажи	

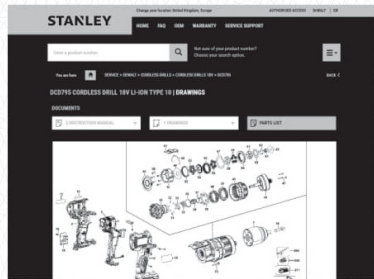
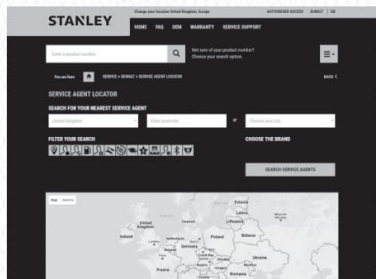
М.П.
Продавца

Серийный номер / Дата производства

Инструмент	
Зарядное устройство	
Аккумулятор 1	
Аккумулятор 2	

На сайте www.2helpU.com доступны следующие функции:

- Список авторизованных сервисных центров
- Удобный поиск ближайшего сервисного центра
- Руководство по эксплуатации
- Технические характеристики
- Список деталей и запасных частей
- Схема сборки инструмента



**Также данную информацию вы можете получить, позвонив по телефону:
8(800) 1000 876**

ОТМЕТКА О ПРОВЕДЕНИИ СЕРВИСНОГО ОБСЛУЖИВАНИЯ

№1	№2	№3	№4
№ заказа	№ заказа	№ заказа	№ заказа
Дата поступления	Дата поступления	Дата поступления	Дата поступления
Дата ремонта	Дата ремонта	Дата ремонта	Дата ремонта
Печать и подпись сервисного центра	Печать и подпись сервисного центра	Печать и подпись сервисного центра	Печать и подпись сервисного центра

Kullanım amacı

STANLEY FATMAX SCD708 matkap/vidalama aletiniz, vida takma/sökme uygulamaları ve ahşap, metal ve plastik delme işlemleri için tasarlanmıştır. Bu alet profesyonel amaçlı, özel ve profesyonel amaç dışı kullanıma uygundur.

Güvenlik talimatları**Elektrikli el aletleri için genel güvenlik uyarıları**

Uyarı! Bu elektrikli aletle verilen tüm güvenlik uyarılarını, talimatları, resimleri ve teknik özellikleri okuyun. Aşağıda listelenen uyarı ve talimatlara uyulmaması elektrik şoku, yangın ve/veya ciddi boyutta yaralanmalara neden olabilir.

Bütün uyarı ve güvenlik talimatlarını ilerde bilmek üzere muhafaza edin. Aşağıda yer alan uyarılardaki "elektrikli alet" terimi şebeke elektrliğiyle (kablolu) veya batarya/pille (şarjlı) çalışan elektrikli aletinizi ifade etmektedir.

1. Çalışma alanının güvenliği

- Çalışma alanınızı temiz ve aydınlık tutun.** Dağınık ve karanlık alanlar kazaya davetiye çıkarır.
- Elektrikli aletleri, alev alabilir sıvıların, gazların veya tozların bulunduğu alanlar gibi patlama olasılığı bulunan ortamlarda kullanmayın.** Elektrikli aletler tozu veya dumanı ateşleyebilecek kıvılcımlar çıkarmaktadır.
- Elektrikli aletle çalışırken çocukları ve çevrede bulunanları uzak tutun.** Dikkatinizin dağılması kontrolü kaybetmenize neden olabilir.

2. Elektrik güvenliği

- Elektrikli aleti fişleri prize uymalıdır. Fiş üzerinde kesinlikle hiçbir değişiklik yapmayın. Topraklı (topraklamalı) elektrikli aletlerde hiçbir adaptör fişi kullanmayın.** Değiştirilmemiş fişler ve uygun prizler elektrik çarpması riskini azaltacaktır.
- Borular, radyatörler, ocaklar ve buzdolapları gibi topraklanmamış yüzeylerle vücut temasından kaçının.** Vücudunuzun topraklanması halinde yüksek bir elektrik çarpması riski vardır.
- Elektrikli aletleri yağmurda veya ıslak ortamlarda bulundurmuyun.** Elektrikli alete su girmesi elektrik çarpması riskini artırır.
- Kabloyu özenli kullanın. Elektrikli aleti kesinlikle kablodan tutarak taşımayın, çekmeyin veya prizden çıkartmayın. Kabloyu ısı, yağ, keskin köşeler veya hareketli parçalardan uzak tutun.** Hasarlı veya dolaşmış kablolar elektrik çarpması riskini artırır.

- Elektrikli aleti açık havada kullanmak için açık havada kullanıma uygun bir uzatma kablosu kullanın.** Açık havada kullanıma uygun bir kablunun kullanılması elektrik çarpması riskini azaltır.
- Elektrikli aletin nemli ortamda çalıştırılması kaçınılmazsa, bir artık akım cihazı (RCD) korumalı besleme kullanın.** Bir RCD kullanılması elektrik çarpması riskini azaltır.

3. Kişisel güvenlik

- Bir elektrikli aleti çalıştırırken dikkatli olun ve sağduyuyla hareket edin. Elektrikli bir aleti yorgunken veya ilaç ya da alkolün etkisi altındayken kullanmayın.** Elektrikli aletleri kullanırken bir anlık dikkatsizlik ciddi kişisel yaralanmaya sonuçlanabilir.
- Koruyucu ekipman kullanın. Daima koruyucu gözlük takın.** Koşullara uygun toz maskesi, kaymayan güvenlik ayakkabıları, baret veya kulaklık gibi koruyucu donanımların kullanılması kişisel yaralanmaları azaltacaktır.
- İstem dışı çalıştırmaya karşı önlem alın. Cihazı güç kaynağına ve/veya bataryaya bağlamadan, yerden kaldırmadan veya taşımadan önce düğmenin kapalı konumda olduğundan emin olun.** Aleti, parmağınız tetik üzerinde bulunacak şekilde taşımak veya açık durumdaki elektrikli aletleri elektrik şebekesine bağlamak kazaya davetiye çıkarır.
- Elektrikli aleti çalıştırmadan önce, varsa ayar anahtarlarını çıkartın.** Elektrikli aletin hareketli bir parçasına takılı kalmış bir anahtar ciddi yaralanmaya neden olabilir.
- Ulaşmakta zorlandığınız yerlerde kullanmayın. Daima sağlam ve dengeli basın.** Bu, beklenmedik durumlarda elektrikli aletin daha iyi kontrol edilmesine olanak tanır.
- Uygun şekilde giyinin. Bol elbiseler giymeyin ve takı takmayın. Saçınızı ve elbiselerinizi hareketli parçalardan uzak tutun.** Bol elbiseler ve takılar veya uzun saç hareketli parçalara takılabilir.
- Eğer kullandığınız üründe toz emme ve toplama özellikleri olan ataşmanlar varsa bunların bağlı olduğundan ve doğru şekilde kullanıldığından emin olun.** Bu cihazların kullanılması toza ilgili tehlikeleri azaltabilir.
- Aletlerin sık kullanılmasından edindiğiniz bilgi birikiminin sizi aşırı rehavete sürüklemesine izin vermeyin ve araç güvenliği ilkelerini göz ardı etmeyin.** Dikkatsiz bir eylem, saniyeden bile daha kısa sürede ciddi yaralanmalara neden olabilir.

4. Elektrikli aletlerin kullanımı ve bakımı

- a. **Aleti zorlamayın. Uygulamanız için doğru elektrikli aleti kullanın.** Doğru elektrikli alet, belirlendiği kapasite ayarında kullanıldığında daha iyi ve güvenli çalışacaktır.
- b. **Anahtar açık kapatmıyorsa elektrikli aleti kullanmayın.** Düğmeyle kontrol edilemeyen tüm elektrikli aletler tehlikelidir ve tamir edilmesi gerekmektedir.
- c. **Herhangi bir ayarlama, aksesuar değişimi veya elektrikli aletlerin saklanması öncesinde fişi güç kaynağından çekin ve/veya çıkartılabilir tipteyse, bataryayı aletten ayırın.** Bu tür önleyici güvenlik tedbirleri elektrikli aletin istem dışı olarak çalıştırılması riskini azaltacaktır.
- d. **Çalışmaz durumdaki elektrikli aletleri çocuklardan uzak tutun ve elektrikli aleti tanımayan veya bu talimatları bilmeyen kişilerin ilgili aleti çalıştırmasına izin vermeyin.** Elektrikli aletler, eğitimsiz kullanıcıların elinde tehlikelidir.
- e. **Elektrikli aletlerin ve aksesuarların bakımını yapın.** Hareketli parçaların doğru hizalanıp hizalanmadıklarını veya takılıp takılmadıklarını, parçaların sağlamlığını ve elektrikli aletlerin çalışmasını etkileyebilecek tüm durumları kontrol edin. **Hasarlı ise, elektrikli aleti kullanmadan önce tamir ettirin.** Kazaların çoğu, elektrikli aletlerin bakımının yeterli şekilde yapılmamasından kaynaklanır.
- f. **Kesme araçlarını keskin ve temiz tutun.** Bakımı uygun şekilde yapılmış keskin kesim uçlu kesim aletlerinin sıkışma ihtimali daha düşüktür ve kontrol edilmesi daha kolaydır.
- g. **Elektrikli aleti, aksesuarlarını ve aletin diğer parçalarını kullanırken bu talimatlara mutlaka uyun ve çalışma ortamının koşullarını ve yapılacak işin ne olduğunu göz önünde bulundurun.** Elektrikli aletin öngörülen işlemler dışındaki işlemler için kullanılması tehlikeli durumlara neden olabilir.
- h. **Tutamakları ve tutma yerlerini kuru, temiz ve yağdan arındırılmış şekilde muhafaza edin.** Kaygan tutamaklar ve yağlı tutma yerleri, beklenmedik durumlarda aletin güvenli olarak taşınmasına ve kontrol edilmesine izin vermez.

5. Batarya kullanımı ve bakımı

- a. **Yalnızca üretici tarafından belirtilen cihazla şarj edin.** Bir batarya için uygun olan şarj cihazı başka bir batarya ile kullanıldığında yangın tehlikesi yaratabilir.
- b. **Elektrikli aletleri sadece özel olarak beraberinde verilen bataryalarla kullanın.** Herhangi başka bir bataryanın kullanımı yaralanma ve yangın tehlikesi yaratabilir.

- c. **Batarya kullanılmadığında, iki kutbu birbirine temas ettirebilecek ataç, bozuk para, anahtar, çivi, vida ve diğer küçük metal nesnelere uzak tutun.** Batarya kutuplarının kısa devre yaptırılması yanık veya yangına neden olabilir.
- d. **Kötü şartlar altında, batarya sıvı sızdırabilir, temastan kaçının. Yanlışlıkla temas halinde, suyla yıkayın. Sıvı gözlere temas ederse, ayrıca doktora da başvurun.** Bataryadan sızan sıvı tahriş veya yanıklara neden olabilir.
- e. **Hasar görmüş veya modifiye edilmiş bir batarya veya alet kullanmayın.** Hasar görmüş veya modifiye edilmiş bataryalar, yangın, patlama veya yaralanma ile sonuçlanabilecek öngörülemeyen riskler doğurabilir.
- f. **Bataryayı veya aleti ateşe veya aşırı sıcaklığa maruz bırakmayın.** Doğrudan ateş veya 130°C üzeri sıcaklıklara maruz kalması patlamaya neden olabilir.
- g. **Tüm şarj etme talimatlarına uyun ve bataryayı veya aleti talimatlarda belirtilen sıcaklık aralığının dışında şarj etmeyin.** Uygun olmayan şekilde veya belirtilen aralığın dışındaki sıcaklıklarda şarj edilmesi, bataryaya zarar verebilir ve yangın riskini artırabilir.

6. Servis

- a. **Elektrikli aleti sadece orijinal yedek parça kullanan nitelikli bir servise götürün. Bu, elektrikli aletin güvenliğinin muhafaza edilmesini sağlayacaktır.**
- b. **Asla hasarlı bataryalara servis yapmayın. Bataryaların servisi sadece üretici veya yetkili servis tarafından yapılabilir.**

1) Tüm işlemler için ek güvenlik talimatları

- a. **Kullanmadan önce aleti uygun şekilde kavrayın.** Bu alet yüksek bir çıkış torku üretir ve çalışma sırasında aleti doğru şekilde kavramamak ciddi yaralanmalara neden olacak şekilde kontrol kaybına yol açabilir.
- b. **Kesim aksesuarının, gömülü elektrik kablolarına temas etmesine yol açabilecek durumlarda aleti yalıtımlı saplarından tutun.** Kesici aletin, elektrik akımı bulunan kablolarla teması halinde akım elektrikli aletin iletken metal parçaları üzerinden operatöre iletilerek elektrik çarpmasına yol açabilir.

2) Uzun matkap uçları kullanmayla ilgili güvenlik talimatları

- a. **Asla matkap ucunun maksimum hız değerinden daha yüksek hızda çalıştırmayın.** Daha yüksek hızlarda, iş parçasına temas etmeden serbestçe dönmesine izin verilirse uç büyütülebilir ve bu da yaralanmaya neden olur.
- b. **Daima düşük hızda ve matkap ucu iş parçasına temas edecek şekilde delmeye başlayın.** Daha yüksek hızlarda, iş parçasına temas etmeden serbestçe dönmesine izin verilirse uç büyütülebilir ve bu da yaralanmaya neden olur.

- c. **Basıncı sadece uçla aynı doğrultuda uygulayın ve aşırı basınç uygulamayın.** Uçlar bükülerek kırılmaya veya kontrol kaybı sonucunda yaralanmaya neden olabilir.

Tornavidalar için ek güvenlik uyarıları

- **Bir çalışma sırasında sabitleyicinin gömülü elektrik kablolarına temas edebileceğini göz önünde bulundurarak elektrikli aleti, yalıtımlı kavrama yüzeylerinden tutun.** Sabitleyiciler elektrik akımı bulunan kablolarla temas ettiğinde, akım elektrikli aletin iletken metal parçaları üzerinden kullanıcıya iletilerek elektrik çarpmasına yol açabilir.
- **İş parçasını dengeli bir yüzeye sabitlemek ve desteklemek için kelepçe veya başka pratik yöntemler kullanın.** İş parçasını elle tutmak veya vücudunuza dayamak dengesizliğe ve kontrol kaybına neden olabilir.
- **Duvar, zemin veya tavana perçin çakmadan önce kablo ve boruların konumunu kontrol edin.**
- **Kullanım amacı bu kullanma kılavuzunda anlatılmıştır.**
- **Aletin bu kılavuzda önerilenlerden başka aksesuar ve ek parçalarla kullanılması ya da başka amaçlarla çalıştırılması yaralanmalara ve/veya mal hasarına yol açabilir.**

Diğer kişilerin güvenliği

- Bu alet fiziksel ve zihinsel kapasitesinin yanı sıra algılama gücü azalmış olan veya yeterince deneyim ve bilgisi bulunmayan kişiler (çocuklar dahil) tarafından kullanılmak üzere üretilmemiştir. Bu tür kişiler aleti ancak güvenliklerinden sorumlu bir kişi tarafından cihazın kullanımıyla ilgili talimatların verilmesi veya sürekli kontrol altında tutulması durumunda kullanabilir.
- Cihazla oynamadıklarından emin olmak için çocuklar gözetim altında tutulmalıdır.

Kalıcı riskler

Alet kullanılırken, ekteki güvenlik uyarılarında bulunmayan ek kalıcı riskler oluşabilir. Bu riskler yanlış kullanım, uzun süreli kullanım, vb. nedenlerden kaynaklanabilir.

İlgili güvenlik talimatlarına uyulması ve güvenlik aletlerinin kullanılması halinde bile bazı kalıcı riskler engellenemeyebilir.

Bunlar aşağıdakileri içermektedir:

- Dönen/hareket eden parçalara dokunma sonucu oluşan yaralanmalar.
- Parça, bıçak veya aksesuar değiştirirken oluşan yaralanmalar.
- Aletin uzun süreli kullanılmasıyla oluşan yaralanmalar. Herhangi bir aracı uzun süre kullanıyorsanız, düzenli olarak kullanıma ara vermeyi unutmayın.
- İtme kaybı.
- Alet kullanılırken oluşan tozun solunmasıyla ortaya çıkan sağlık sorunları (örneğin: ahşap, özellikle meşe, kayın ve MDF ile çalışırken.)

Titreşim

Teknik veriler ve uygunluk beyanati içerisinde belirtilen titreşim emisyon değerleri EN62841 tarafından belirlenen standart bir test yöntemine uygun olarak ölçülmektedir ve diğer bir aletle karşılaştırma yaparken kullanılabilir.

Bildirilen titreşim emisyon değeri ilk maruz kalma değerlendirmesinde kullanılabilir.



Uyarı! Elektrikli aletin mevcut kullanımını sırasındaki titreşim emisyon değeri, aletin kullanım yöntemine bağlı olarak, beyan edilen değere göre farklılık sergileyebilir. Titreşim düzeyi bildirilen düzeyden yüksek olabilir.

İşinde düzenli olarak güç aracı kullanan kişilerin korunması amacıyla 2002/44/EC uyarınca gerekli kılınan güvenlik önlemlerini tespit etmek için titreşim maruz kalma durumunu değerlendirilirken, yapılan bir titreşim maruz kalma durumunu tahmini esas kullanım koşullarını ve aracın kullanım şeklini dikkate almalıdır, ayrıca çalışma döngüsünün aracın kapalı olduğu süre ve başlama süresine ek olarak rölantide çalıştığı süre gibi tüm kısımlarını da hesaba katmalıdır.

Alet üzerindeki etiketler

Takip eden piktogramlar tarih kodu ile birlikte cihazın üzerinde yer almaktadır:



Uyarı! Yaralanma riskini en aza indirmek için kullanıcı kullanım talimatlarını mutlaka okumalıdır.

Bataryalar ve şarj aygıtları için ek emniyet talimatları

Bataryalar

- Kesinlikle, hiçbir nedenle açmaya çalışmayın.
- Bataryayı su ile temas ettirmeyin.
- Sıcaklığın 40 °C'yi aşabileceği yerlerde saklamayın.
- Sadece 10 °C ile 40 °C arasındaki ortam sıcaklıklarında şarj edin.
- Sadece aletle birlikte verilen şarj cihazını kullanarak şarj edin.
- Bataryaları atarken "Çevrenin Korunması" başlıklı bölümde verilen talimatları uygulayın.

Şarj cihazları

- Stanley FatMax şarj cihazınızı, yalnızca aletle birlikte verilen bataryayı şarj etmek için kullanın. Diğer bataryalar patlayarak yaralanmanıza veya hasar meydana gelmesine yol açabilir.
- Şarj edilme özelliği olmayan bataryaları kesinlikle şarj etmeye çalışmayın.
- Zarar gören kabloları vakit kaybetmeden değiştirin.
- Bataryayı su ile temas ettirmeyin.
- Şarj cihazını açmayın.
- Şarj cihazını kurcalamayın.



Şarj cihazı sadece kapalı alanda kullanıma uygundur.



Kullanmadan önce kullanım kılavuzunu okuyun.



Hasarlı bataryaları şarj etmeye çalışmayın.

Elektrik güvenliği



Şarj cihazınız çift yalıtımlıdır bu yüzden hiçbir topraklama kablosuna gerek yoktur. Her zaman şebeke geriliminin aletin üretim etiketinde belirlenmiş değerlere uyup uymadığını kontrol edin. Şarj cihazını asla normal bir elektrik fişi ile değiştirmeye çalışmayın.

- Elektrik kablosu hasarlı ise, bir tehlike oluşmasını önlemek için üretici ya da yetkili Stanley FatMax Servis Merkezi tarafından değiştirilmelidir.



Uyarı! Şarj cihazını asla normal bir elektrik fişi ile değiştirmeye çalışmayın.

Özellikler

Bu cihaz, aşağıdaki özelliklerin bir kısmını veya tümünü içermektedir.

1. Tetik Düğmesi
2. İleri/Geri Düğmesi
3. Tork Ayar Bileziği
4. İki Aralıklı Hız Seçici
5. Anahtarsız Mandren
6. Batarya
7. Batarya Serbest Bırakma Düğmesi
8. LED Çalışma Lambası

Kullanım



Uyarı! Aletin kendi hızında çalışmasına izin verin. Aşırı yüklenmeyin.

Bataryayı şarj etme (Şekil A)

Bataryanın, ilk kullanımdan önce ve daha önce kolayca yapılan işler için yeterli güç üretmediği hallerde şarj edilmesi gereklidir.

Batarya şarj sırasında ısınabilir; bu normaldir ve bir sorun olduğu anlamına gelmez.



Uyarı! Bataryayı, 10°C'nin altında veya 40 °C'nin üzerindeki sıcaklıklarda şarj etmeyin. Tavsiye edilen şarj sıcaklığı: yaklaşık 24°C.

Not: Hücre sıcaklığı yaklaşık olarak 10°C'nin altında ya da 40°C'nin üzerinde ise, şarj cihazı bataryayı şarj etmez.

Batarya şarj cihazının içinde bırakılmalıdır ve hücre ısındığında ya da soğuduğunda şarj cihazı otomatik olarak şarj etmeye başlayacaktır.

Not: Lityum-iyon bataryalardan maksimum performans almak

ve kullanım ömrünü uzatmak için, ilk kullanımdan önce tam olarak şarj edin.

- Bataryayı (6) takmadan önce şarj cihazını (9) uygun prize takın.
- Yeşil şarj ışığı (9a) sürekli yanıp sönerek şarj işleminin başladığını gösterir.
- Şarjın tamamlandığı, yeşil şarj ışığının (9a) sürekli yanmasıyla belirtilir. Batarya (6) tamamen şarj olmuştur, çıkartılıp kullanılabilir ya da şarj cihazında bırakılabilir.
- Boşalmış bataryaları 1 hafta içerisinde şarj edin. Batarya, şarjı boşalmış şekilde depoya kaldırıldığında batarya ömrü azalır.

Şarj Cihazı LED Modları

	Şarj oluyor: Yeşil LED Yanıp Sönüyor	
	Tam Şarj Olmuş: Yeşil LED Sabit	
	Sıcak/Soğuk Batarya Ertelemesi: Yeşil LED Yanıp Sönüyor Kırmızı LED Sabit	

Not: Uyumlu şarj cihazı arızalı bir bataryayı şarj etmeyecektir. Şarj cihazının ışığı yanmadığında, bu durum bataryada arıza olduğunu gösterir.

Not: Bu aynı zamanda şarj cihazının arızalı olduğu anlamına da gelebilir. Şarj cihazı bir sorun gösteriyorsa, şarj cihazını ve bataryayı test edilmek üzere yetkili bir servis merkezine gönderin.

Bataryanın şarj cihazında bırakılması

Batarya, LED yanıyor şekilde sonsuza kadar şarj cihazına bağlı olarak bırakılabilir. Şarj cihazı, bataryayı yeni ve tam şarj edilmiş olarak koruyacaktır.

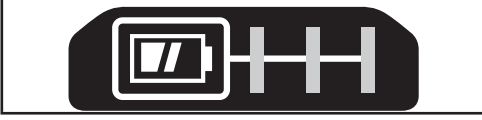
Sıcak/Soğuk Batarya Ertelemesi

Şarj aleti çok sıcak veya çok soğuk bir batarya tespit ettiğinde, otomatik olarak Sıcak/Soğuk Gecikmesini başlatır, yeşil LED (9a) aralıklı olarak yanıp sönerken kırmızı LED (9b) ise sürekli yanmaya devam ederek durumu bildirir ve batarya uygun sıcaklığa gelene kadar şarjı durdurur. Şarj aleti sonrasında otomatik olarak şarj moduna geçer. Bu özellik maksimum batarya ömrü sağlar.

Batarya şarj durumu göstergesi (Şekil B)

Bataryada, Şekil B'de gösterildiği gibi batarya ömrünün ne kadar olduğunu hızlı bir şekilde belirlemek için bir şarj durumu göstergesi mevcuttur. Şarj durumu düğmesine (6a) basarak,

Şekil B'de gösterildiği gibi bataryada kalan şarjı kolayca görüntüleyebilirsiniz.



Bataryanın Alete Takılması Ve Aletten Çıkartılması



Uyarı! Anahtarın etkinleşmesini önlemek için, bataryayı çıkarmadan ya da takmadan kilitleme düğmesinin devrede olduğundan emin olun.

Bataryanın takılması (Şekil C)

- Şekil C'de gösterildiği gibi, duyulabilir bir klik sesi duyulana kadar bataryayı alete sıkıca yerleştirin. Bataryanın tam olarak oturduğundan ve yerine tam olarak kilitlendiğinden emin olun.

Bataryanın çıkartılması (Şekil D)

- Şekil D'de gösterildiği gibi batarya serbest bırakma düğmesine (7) basın ve bataryayı aletten çıkartın.

Kemer kancası (İsteğe bağlı ekstra) (Şekil E, F)



Uyarı! Ciddi fiziksel yaralanma riskini azaltmak için, herhangi bir ayar yapmadan veya ekleri ya da aksesuarları çıkarmadan/takmadan önce ileri/geri düğmesini kilitli konuma getirin veya aleti kapatın ve bataryayı aletten çıkartın. Kazara çalışma yaralanmalarına neden olabilir.



Uyarı! Ciddi fiziksel yaralanma riskini azaltmak için, aleti bir iş kemerine asmak istediğinizde SADECE aletin kemer kancasını (10) kullanın. Kullanım sırasında aleti bir kişiye veya nesneye bağlamak veya sabitlemek için kemer kancasını KULLANMAYIN. Aleti başınızın üzerine ASMAYIN veya nesnelere kemer kancasını ASMAYIN.



Uyarı! Ciddi yaralanma riskini azaltmak için, kemer kancasını tutan vidanın (11) sağlam olduğundan emin olun.

Not: Kemer kancasını (10) takarken veya değiştirirken, sadece birlikte verilen vidayı (11) kullanın. Vidanın sağlam bir şekilde sıkıldığından emin olun.

Sol veya sağ elini kullanan kullanıcılarla uyumlu olması açısından kemer kancası (10) sadece birlikte verilen vida (11) kullanılmak suretiyle aletin her iki tarafındaki yuvalara (12) kaydırarak takılabilir. Kanca istenmiyorsa aletten kaldırılabilir. Kemer kancasının yerini değiştirmek için kemer kancasını (10) yerinde tutan vidayı (11) söküp ardından diğer tarafa tekrar monte edin. Vidanın (11) emniyetli bir şekilde sıkıldığından emin olun.

Not: Çeşitli raylı duvar askı sistemi kancaları ve saklama konfigürasyonları mevcuttur.

Daha ayrıntılı bilgi için lütfen www.stanleytools.eu/3 adresindeki web sitemizi ziyaret edin.

Anahtarsız mandren (Şekil G)



Uyarı! Anahtarın devreye girmesini önlemek için, aksesuarları takmadan ya da çıkarmadan önce bataryanın çıkartıldığından emin olun.

Bir matkap ucu veya başka bir aksesuar takmak için:

- Mandreni (5) kavrayın ve mandren ucundan görüldüğü şekliyle saat yönünün tersine çevirin.
- Matkap ucunu veya diğer aksesuarı (13) mandrene yerleştirin ve mandreni mandren ucundan görünen şekilde saat yönünün tersine döndürerek sıkın.



Uyarı! Mandrenin ön kısmını tutup aleti çevirerek matkap ucu (veya başka herhangi bir aksesuar) takmayı veya çıkartmayı denemeyin.

Aksesuarları değiştirirken mandren hasarına veya yaralanmaya neden olabilir.

Tetik düğmesi ve ileri/geri düğmesi (Şekil H)

- Matkap, Şekil H'de gösterilen tetik düğmesi (1) çekilerek ve serbest bırakılarak AÇIK ve KAPALI konuma getirilir. Tetiğe ne kadar çok basılırsa, matkabın hızı o kadar yüksek olur.
- Bir ileri/geri kontrol düğmesi (2) aletin dönüş yönünü belirler ve aynı zamanda kilitleme düğmesi olarak görev yapar.
- İleri dönüşü seçmek için, tetik düğmesini bırakın ve aletin sağ tarafındaki ileri/geri kontrol düğmesine basın.
- Geriyi seçmek için, aletin sol tarafındaki ileri/geri kontrol düğmesine basın.
- Kontrol düğmesinin ortadaki konumu aleti kapalı konumda kilitlet. Kontrol düğmesinin konumunu değiştirirken, tetiğin serbest olduğundan emin olun.

Tork kontrolünün ayarlanması (Şekil I)

Bu alette, çalışma modunun seçilmesi ve vida sıkma torkunun ayarlanması için bir bilezik (3) mevcuttur. Büyük vidalar ve üzerinde çalışılan sert malzemeler küçük vidalara ve yumuşak malzemelere göre daha yüksek bir tork ayarı gerektirir.

- Ahşap, metal ve plastik malzemelerde delme için, bileziği (3) delme simgesine getirin.
- Vida takma ve sökme işlemleri için bileziği istediğiniz konuma getirin. Henüz uygun ayarı bilmiyorsanız, aşağıda belirtildiği şekilde ilerleyin:
 - ◆ Bileziği en düşük tork ayarına getirin.
 - ◆ Birinci vidayı sıkın.
 - ◆ İstenen sonuç elde edilmeden önce kavrama mandallarına ulaşırsanız, bilezik ayarını artırın ve sıkmaya devam edin.
 - ◆ Doğru ayara ulaşına kadar tekrarlayın.
 - ◆ Kalan vidalar için de bu ayarı kullanın.

İki aralıklı hız düğmesi (Şekil J)

Matkabın ikili aralıklı hız özelliği daha esnek kullanım için hızı değiştirebilmenizi sağlar.

- Düşük hızlı, yüksek torklu ayarı (konum1) seçmek için aleti kapatın ve durmasını bekleyin. Hız değiştirme düğmesini (4) mandrenden uzağa kaydırın.
- Yüksek hızlı, düşük torklu ayarı (konum 2) seçmek için aleti kapatın ve durmasını bekleyin. Hız değiştirme düğmesini mandrene doğru geri kaydırın.

Not: Hızı alet çalışırken değiştirmeyin. Hızı değiştirmekte zorluk yaşıyorsanız, iki aralıklı hız değiştiricinin tamamen ileride veya geride olduğundan emin olun.

Vidalama

- Vidaları takmak için, ileri/geri düğmesi sola itilmelidir.
- Vidaları gevşetmek için tersini (düğme sağa itilmiş şekilde) kullanın.

Not: İleri veya geriye doğru hareket ettirmek için daima öncesinde tetik düğmesini serbest bırakın.

Delme

- Yalnızca keskin matkap uçları kullanın.
- İş parçasını Güvenlik Talimatlarında belirtildiği gibi uygun şekilde destekleyerek sabitleyin.
- Güvenlik Talimatlarında belirtildiği üzere uygun ve gerekli güvenilir ekipmanlarını kullanın.
- Güvenlik Talimatlarında belirtildiği üzere, çalışma alanını emniyete alın ve koruyun.
- Matkap ucu delikten dışarı doğru kaymaya başlayacak seviyeye gelene kadar, matkabı çok yavaş ve düşük basınç uygulayarak çalıştırın.
- Uçla düz bir çizgi halinde basınç uygulayın. Ucu delmesini sürdürmesine yetecek, ancak motoru durdurmayacak veya ucu saptırmayacak derecede basınç uygulayın.
- Matkabı, bir eliniz tutamağın üzerinde, diğer eliniz ise alt kısımda batarya bölgesinin veya varsa yardımcı tutamağın etrafında olacak şekilde sıkıca tutun.
- DURMUŞ BİR MATKABI YENİDEN BAŞLATMAK İÇİN TETİĞİNE BASARAK AÇMA KAPAMA YAPMAYIN. BU, MATKABA HASAR VEREBİLİR.
- Basıncı azaltarak ve deliğin dip kısmını yavaşça delerek çalışma sırasındaki durmaları minimuma indirin.
- Ucu açılmış bir delikten dışarıya doğru çekerken motoru çalışır durumda tutun. Bu, sıkışmayı önlemeye yardımcı olur.
- Düğmenin matkabı açıp kapatabildiğinden emin olun.

Ahşapta delme işlemi

Ahşapta, metal için kullanılanlarla aynı döner matkap uçlarıyla veya kürek uçlarla delikler açılabilir. Bu uçlar keskin olmalı ve oluklarda meydana gelen talaşları temizlemek için sıkça dışarı çıkarılmalıdır.

Metalde delme işlemi

Metalleri delerken bir kesme yağlayıcısı kullanın. Kuru delinmesi gereken dökme demir ve piring malzemeler istisnadır. En etkili kesme yağlayıcıları sülfüride kesme yağdır.

LED çalışma lambası (Şekil H)

Matkap, tetik düğmesi (1) çekilerek etkinleştirildiğinde, dahili LED çalışma ışığı (8) çalışma alanını otomatik olarak aydınlatır.

Not: Bu çalışma lambası, el feneri olarak kullanılmak üzere değil yakın çalışma yüzeyinin aydınlatılması için tasarlanmıştır.

Sorun Giderme

Sorun	Olası neden	Olası çözüm
Ünite çalışmıyor.	Batarya doğru şekilde takılmamış. Batarya şarjı değil.	Bataryanın takılma şeklini kontrol edin. Batarya şarj gerekliliklerini kontrol edin
Alet, batarya takılır takılmaz çalışmaya başlıyor	Düğme "açık" konumunda basılı kalmıştır.	Aletin batarya takılır takılmaz çalışmasını önlemek için düğme "kapalı" konuma getirilmelidir.
Batarya şarj olmuyor.	Batarya şarj cihazına takılmamış. Şarj cihazı fişe takılı değil. Ortamdaki hava sıcaklığı aşırı yüksek veya aşırı düşük.	LED ışıkları yanana kadar bataryayı şarj cihazına takın. Şarj cihazını çalışır durumda bir prize takın. Şarj cihazını ve bataryayı 4,5° C üzeri veya +40,5° C altındaki bir hava sıcaklığına sahip ortama taşıyın.
Ünite aniden kapanıyor.	Batarya maksimum sıcaklık limitine ulaştı. Şarjı bitmiş. (Bataryanın ömrünü en üst seviyeye çıkarmak için şarjı bittiğinde aniden kapanacak şekilde tasarlanmıştır)	Bataryayı soğumaya bırakın. Şarj cihazının üzerine yerleştirin ve şarj olmasını bekleyin.

Bakım

STANLEY FATMAX aletinizin en az bakımla uzun bir süre çalışacak şekilde tasarlanmıştır. Aletin uzun süre boyunca verimli bir şekilde çalışması, uygun bakımın ve düzenli temizliğin yapılmasına bağlıdır.

Şarj cihazınızın, düzenli temizlik dışında herhangi bir bakım gerektirmemektedir.



Uyarı! Alet üzerinde herhangi bir bakım yapmadan önce bataryayı aletten çıkartın. Temizlemeden önce, şarj aygıtını prizden çekin.

- Aletinizdeki ve şarj cihazındaki havalandırma deliklerini yumuşak bir fırça veya kuru bir bezle düzenli olarak temizleyin.
- Motor muhafazasını hafif ıslak bir bezle düzenli olarak silin.
- Aşındırıcı veya çözücü madde içeren temizleyiciler kullanmayın.

Çevrenin korunması

Ayrı toplama. Bu sembole işaretlenen ürünler ve bataryalar normal evsel atıklarla birlikte atılmamalıdır.

Ürünler ve bataryalar, hammaddede ihtiyacı azaltabilecek geri kazanılabilir veya geri dönüştürülebilir materyaller içerir.

Lütfen elektrikli aletleri ve bataryaları yerel hükümler doğrultusunda geri dönüşüme tabi tutun. Daha fazla bilgi www.2helpU.com adresinde mevcuttur

Teknik veriler

		SCD708
Voltaaj	V_{DC}	18 V
Yüksüz devir	Dak ⁻¹	0-400/0-1500
Maks. tork	Nm	52
Mandren kapasitesi	mm	13
Maks. Delme kapasitesi		
Çelik/ahşap/duvar	mm	13/35/13
Ağırlık	kg	1,2

Şarj cihazı		SC125	SC200	SC400 SC401
Giriş Voltajı	V_{AC}	220-240	220-240	220-240
Çıkış Voltajı	V_{DC}	18V (20V MAKS.)	18V (20V MAKS.)	18V (20V MAKS.)
Akım	A	1,25	2	4

Batarya		SB201	SB202	SB204	SB206
Voltaaj	V_{DC}	18	18V (20V MAKS.)	18V (20V MAKS.)	18V (20V MAKS.)
Kapasite	Ah	1,5	2,0	4,0	6,0
Tip		Li-iyon	Li-iyon	Li-iyon	Li-iyon

EN62841'e göre ses basıncı düzeyi:

Ses basıncı (L_{pA}) 70,0 dB(A), belirsizlik (K) 5 dB(A)

Ses gücü (L_{WA}) 81,0 dB(A), belirsizlik (K) 5 dB(A)

EN62841'e uygun olarak titreşim toplam değerleri (triaks vektör toplamı):

Metal kesme ($a_{h,D}$) 1.2 m/s², belirsizlik (K) 1.5 m/s²

AB uygunluk beyanı

MAKİNE YÖNETMELİĞİ



SCD708 - Matkap

STANLEY Europe, "teknik veriler" altında tanımlanan bu ürünlerin aşağıdakilere uygun olduğunu beyan eder:
EN62841-1:2015, EN62841-2-1:2018.

Bu ürünler aynı zamanda 2006/42/EC, 2014/30/EU ve 2011/65/EU nolu Yönetmeliklere de uygundur. Daha fazla bilgi için, lütfen aşağıdaki adresten STANLEY Europe ile irtibata

geçin veya kılavuzun arkasına bakın.

Daha fazla bilgi için, lütfen aşağıdaki adresten STANLEY FATMAX ile irtibata geçin veya kılavuzun arkasına bakın.

Bu belge altında imzası bulunan yetkili, teknik dosyanın derlenmesinden sorumludur ve bu beyanı

STANLEY FATMAX.

Patrick Diepenbach

TGenel Müdür, Benelüks,

Black and Decker, Egide Walschaertsstraat14-18,

2800 Mechelen, Belçika

11.03.2021

Garanti

STANLEY FATMAX ürün kalitesine güvenir ve tüketicilerine, satın alma tarihinden itibaren geçerli 12 aylık bir garanti sunar. Bu garanti yasal haklarınıza bir ek olup bunları hiçbir şekilde etkilemez. İşbu garanti Avrupa Birliğine üye ülkeler ile Avrupa Serbest Ticaret Bölgesi sınırları dahilinde geçerlidir.

Garanti hakkını kazanmak için, talebin STANLEY FATMAX Hüküm ve Koşulları ile uyumlu olması ve satın alma belgenizi satıcıya veya yetkili onarım temsilcisine göndermeniz gerekir. STANLEY FATMAX tarafından sunulan 1 yıl garantinin koşullarını ve size en yakın yetkili servis merkezini öğrenmek için www.2helpU.com adresine veya bu kılavuzda belirtilen adresteki yerel STANLEY FATMAX ofisine başvurun.

Yeni STANLEY FATMAX ürününüzü kaydettirmek, yeni ürünler ve özel teklifler hakkında sürekli güncel bilgi almak üzere www.stanley.eu/3 adresindeki İnternet sitemizi ziyaret edin

Сфера застосування

Ваш дріль/шурупокрут SCD708 виробництва компанії STANLEY FATMAX розроблений для використання в якості викрутки та для свердління деревини, металу та пластику. Цей пристрій призначений для професійного використання, а також для приватних непрофесійних користувачів.

Інструкції з техніки безпеки

Загальні правила безпеки для електричного інструмента



Увага! Ознайомтеся з усіма попередженнями, інструкціями з техніки безпеки, зображеннями та специфікаціями, які поставляються з цим електричним інструментом. Невиконання наведених нижче попереджень та інструкцій може призвести до ураження електричним струмом, пожежі та/або серйозних травм.

Збережіть всі попередження та інструкції для використання в майбутньому. Термін «електричний інструмент» в усіх попередженнях, перерахованих нижче, стосується використовуваних вами інструментів, що працюють від мережі енергоспоживання (з використанням електричного кабелю) або батарей (без кабелю).

1. Безпека робочої зони

- a. Робоча зона завжди має бути чистою та добре освітленою. Захаращена або темна робоча зона призводить до нещасних випадків.
- b. **Не використовуйте електричні інструменти у вибухонебезпечній атмосфері, наприклад поруч із вогненебезпечними рідинами, газами та пилом.** Електричні інструменти створюють іскри, що можуть запалити пил або пару.
- c. **Тримайте дітей та сторонніх подалі під час використання інструмента.** Відвернення уваги може призвести до втрати контролю.

2. Електрична безпека

- a. **Вилка електричного інструмента повинна відповідати розетці. Ніколи жодним чином не змінюйте вилку.**
Не використовуйте адаптери з заземленими електричними інструментами. Немодифіковані вилки та розетки, що підходять до них, зменшують ризик ураження електричним струмом.

- b. **Уникайте контакту тіла з заземленими поверхнями, такими як труби, радіатори, плити та холодильники.** Якщо ваше тіло заземлене, збільшується ризик ураження електричним струмом.
- c. **Не залишайте електричні інструменти під дощем або в умовах підвищеної вологості.** Вода, що потрапляє в електричний інструмент, підвищує ризик ураження електричним струмом.
- d. **Не використовуйте кабель живлення не за призначенням. Ніколи не переносьте, не тягніть та не відключайте електричний інструмент від розетки електроживлення за допомогою шнура.** Тримайте шнур подалі від високих температур, мастила, гострих предметів та рухомих деталей. Пошкоджені або перекручені шнури підвищують ризик ураження електричним струмом.
- e. **При використанні електричного інструмента на вулиці, використовуйте подовжувальний шнур, що підходить для використання на вулиці.** Використання шнура, що призначений для використання поза приміщенням, знижує ризик ураження електричним струмом.
- f. **Якщо неможливо уникнути використання електричного інструмента в умовах підвищеної вологості, використовуйте живлення, захищене пристроєм залишкового струму (RCD).** Використання RCD знижує ризик ураження електричним струмом.

3. Особиста безпека

- a. **Будьте в стані готовності, дивіться, що ви робите, та будьте розсудливі, працюючи з електричним інструментом.**
Не використовуйте електричний інструмент, коли ви втомлені або знаходитесь під впливом наркотичних речовин, алкоголю або ліків. Втрата уваги під час роботи з електричними інструментами може призвести до серйозних травм.
- b. **Використовуйте особисті засоби безпеки. Завжди використовуйте засоби захисту очей.** Засоби безпеки, такі як протипилова маска, нековзкі безпечні черевики, захисний шолом та засоби захисту слухового апарату, використані для відповідних умов, зменшують імовірність особистих травм.
- c. **Уникайте випадкового запуску. Переконайтесь в тому, що перемикач знаходиться в позиції Вимк., перш ніж підключати інструмент до джерела електроживлення та/або акумулятора, переміщувати або переносити.** Може статися нещасний випадок, коли ви переносите інструмент, тримаючи палець на вимикачі, або підключаєте живлення до вимикача в позиції Увімк.

- d. **Зніміть усі ключі для регулювання або гайкові ключі, перш ніж вмикати електричний інструмент.** Гайковий ключ, що залишився прикріпленим до якоїсь деталі електричного пристрою, що обертається, може призвести до травм.
- e. **Не прикладайте надмірних зусиль. Завжди утримуйте правильну постановку ніг і рівновагу.** Це дає вам змогу краще контролювати інструмент в неочікуваних ситуаціях.
- f. **Одягайтеся відповідним чином. Не вдягайте вільний одяг або прикраси. Тримайте ваше волосся та одяг подалі від рухомих деталей.** Вільний одяг, прикраси або довге волосся можуть зачепитися за рухомі деталі.
- g. **Якщо передбачені пристрої для підключення до засобів виділення та збирання пилу, переконайтеся, що вони правильно підключені та використовуються.** Використання таких пристроїв зменшує ризик виникнення небезпечних ситуацій, що пов'язані з потраплянням пилу.
- h. **Навіть якщо ви добре знаєте інструмент та часто його використовуйте, не розслабляйтесь та не забувайте про принципи техніки безпеки.** Необережні дії можуть за долю секунди призвести до важких тілесних ушкоджень.
4. **Використання електричного інструмента та догляд за ним**
- a. **Не прикладайте надмірних зусиль під час роботи з інструментом. Використовуйте електричний інструмент, який відповідає завданню, що виконується.** Правильно обраний інструмент виконає завдання краще та безпечніше за умов, для яких він був розроблений.
- b. **Не використовуйте інструмент, якщо його неможливо ввімкнути та вимкнути за допомогою вимкача.** Будь-який електричний інструмент, яким неможливо керувати за допомогою вимкача, є небезпечним і має бути відремонтований.
- c. **Якщо вилка змінна, відключіть її від джерела живлення та/або вийміть акумулятор, перш ніж виконувати будь-які налаштування, змінювати додаткове обладнання або зберігати електроінструмент.** Ці профілактичні заходи зменшують ризик випадкового запуску електричного інструмента.
- d. **Зберігайте вимкнені електричні інструменти в недоступному для дітей місці та не дозволяйте особам, що не знайомі з електричним інструментом або цими інструкціями, використовувати електричний інструмент.** Електричні інструменти є небезпечними, якщо вони використовуються некваліфікованими користувачами.
- e. **Технічне обслуговування електричних інструментів та аксесуарів. Перевіряйте несумісність або заїдання рухомих деталей, наявність ушкоджених частин та інших умов, що можуть впливати на роботу електричного інструмента.** Якщо є пошкодження, відремонтуйте електричний інструмент перед використанням. Нещасні випадки часто є результатом того, що інструмент не пройшов відповідного технічного обслуговування.
- f. **Різальні інструменти мають бути гострими та чистими.** Правильно доглянуті різальні інструменти з гострими різальними кромками мають меншу імовірність заїдання, і ними легше керувати.
- g. **Використовуйте електричний інструмент, додаткові інструменти та деталі інструменту тощо у відповідності до цих інструкцій та відповідно до даного типу електричних інструментів, зважаючи на умови використання та роботу, яка має бути виконана.**
- Використання електричних інструментів не за призначенням може призвести до виникнення небезпечних ситуацій.
- h. **Всі ручки та поверхні для тримання інструмента мають бути сухими, без залишків мастила.** Слизькі ручки та поверхні для тримання не дозволяють безпечно працювати та контролювати інструмент у неочікуваних ситуаціях.
5. **Використання та догляд за інструментом, що працює від батареї**
- a. **Заряджайте інструмент лише за допомогою зарядного пристрою, вказаного виробником.** Зарядний пристрій, що підходить до одного типу акумуляторів, може призвести до пожежі в разі використання з іншим акумулятором.
- b. **Використовуйте електричні інструменти лише з призначеними для них акумуляторами.** Використання інших акумуляторів може призвести до травм або пожежі.
- c. **Коли акумулятори не використовуються, зберігайте їх подалі від металевих предметів, як скріпки, монети, ключі, цвяхи, гвинти або інші невеликі предмети, що можуть призвести до замикання двох контактів.** Коротке замикання клем акумулятора може призвести до вибуху або пожежі.
- d. **За невідповідних умов використання рідина може витікати з акумулятора; уникайте контакту з цією рідиною.** Якщо контакт таки стався, промийте забруднену ділянку водою. Якщо рідина потрапила в очі, промийте водою та зверніться до лікаря. Рідина, що витікає з акумулятора, може призвести до подразнень та опіків.

- e. **Не використовуйте пошкоджений або модифікований акумулятор або інструмент.**
Пошкоджені або модифіковані акумулятори можуть поводити себе непередбачуваним чином, призводячи до пожежі, вибуху або тілесним ушкодженням.
 - f. **Не піддавайте акумулятор та інструмент дії вогню та надмірних температур.** Вплив вогню або температури вище 130 °C може спричинити вибух.
 - g. **Виконуйте всі інструкції щодо зарядки; заряджайте акумулятор та інструмент тільки в межах температурного діапазону, вказаного в інструкціях.** Неналежна зарядка або зарядка поза межами вказаного температурного діапазону може пошкодити акумулятор та підвищити ризик пожежі.
6. **Обслуговування**
- a. **Надавайте ваш електричний інструмент для обслуговування кваліфікованим спеціалістом з ремонту та використовуйте тільки ідентичні замінні деталі. Це забезпечить безпеку електричного пристрою, що обслуговується.**
 - b. **Ніколи не обслуговуйте пошкоджені акумулятори самостійно. Обслуговування акумуляторів мають виконувати представники виробника або працівники офіційного сервісного центру.**

1) Інструкції з техніки безпеки при виконанні будь-яких робіт

- a. **Надійно зафіксуйте інструмент в руках перед використанням.** Цей інструмент створює високий крутний момент і без належної фіксації під час роботи втрата контролю може стати причиною травмування.
- b. **Тримайте електричний інструмент за ізольовану поверхню для тримання під час виконання операцій, коли різальне приладдя може торкнутися схованої проводки.** Ріжучі елементи при контакті з дротом під напругою може призвести до появи напруги в інструменті та ураження оператора електричним струмом.

2) Інструкції з техніки безпеки при використанні довгих свердел

- a. **Швидкість роботи з інструментом не повинна перевищувати максимальний індекс швидкості свердла.** При роботі на надто високій швидкості свердло може згинатись, якщо обертається вільно, не торкаючись заготовки, і стати причиною травмування.
- b. **Завжди починайте роботу на низькій швидкості та торкайтеся свердлом поверхні заготовки.** При роботі на надто високій швидкості свердло може згинатись, якщо обертається вільно, не торкаючись заготовки, і стати причиною травмування.

- c. **Прикладайте тиск тільки по прямій лінії зі свердлом, але не натискайте занадто сильно.** Свердла можуть згинатись, призводячи до ушкодження або втрати контролю, що може стати причиною травмування.

Додаткові попередження з техніки безпеки для шурупокрута

- Під час виконання операції, коли кріпильний елемент може контактувати зі схованою електропроводкою, тримайте електроінструмент на ізольованій поверхні. Контакт кріпильних елементів з проводкою під напругою може призвести до появи напруги в інструменті та ураження оператора електричним струмом
- Використовуйте затискачі або інший спосіб закріплення деталей, що оброблюється, на стабільній платформі. Утримування деталі в руці та притискання її до тіла робить її нестабільною та може призвести до втрати контролю.
- Перед використанням гайковерту для закручування в стіни, підлогу та стелю переконайтесь, що в цьому місці не розташована проводка та труби.
- Використання за призначенням описане в цьому керівництві з використання.
- Використання аксесуарів або приладдя, виконання будь-яких дій з інструментом, що суперечать рекомендаціям цієї інструкції, може становити небезпеку травмування людини та/або пошкодження майна.

Безпека оточення

- Цей інструмент не призначений для використання особами (включаючи дітей) із зниженими фізичними, сенсорними або розумовими можливостями або особами, яким бракує досвіду або знань за винятком випадків, коли такі особи працюють під наглядом або отримали інструкції щодо використання пристрою від особи, яка несе відповідальність за їх безпеку.
- Уважно слідкуйте за тим, щоб діти не гралися з пристроєм.

Залишкові ризики

Під час використання інструмента можуть виникнути додаткові залишкові ризики, які не внесені до попереджень щодо техніки безпеки в цьому посібнику. Ці ризики можуть виникнути як результат неправильного використання, тривалого використання, тощо.

Незважаючи на виконання всіх відповідних правил техніки безпеки та використання захисних пристроїв, неможливо уникнути деяких залишкових ризиків. Сюди належать:

- Травми через контакт з деталями, що рухаються/обертаються.

- Травми при заміні деталей, пильних полотен або аксесуарі.
- Травми через занадто тривале використання інструменту. При використанні будь-якого інструменту протягом тривалого періоду часу не забувайте робити регулярні перерви.
- Порушення слуху.
- Небезпека для здоров'я через вдихання пилю, що утворюється при використанні інструмента (наприклад, при роботі з деревом, особливо з дубом, березою та ДВП).

Вібрація

Значення вібрації, вказані в технічних даних та в декларації про відповідність виміряні з дотриманням стандартних методів тестування, наданих у EN62841, та їх можна використовувати для порівняння одного інструмента з іншим.

Задекларовані значення вібрації можна також використовувати для попереднього оцінювання впливу вібрації.



Увага! Значення вібрації під час використання інструмента може відрізнятись від задекларованого в залежності від способів використання інструмента. Рівень вібрації може перевищувати вказані значення.

Оцінюючи вплив вібрації для визначення заходів безпеки за вимогами 2002/44/EC, щоб захистити людей, які регулярно використовують інструменти в роботі, необхідно враховувати реальні умови та способи використання інструмента, у тому числі всі періоди робочого циклу, наприклад час, коли інструмент вимкнено та коли він працює в режимі холостого ходу, а також час, потрібний для запуску інструмента.

Написи на інструменті

На інструменті нанесені подані нижче позначки та код дати:



Увага! Щоб зменшити ризик травм, користувач повинен прочитати інструкцію з експлуатації.

Додаткові інструкції з техніки безпеки для батарей та зарядних пристроїв

Батареї

- Ніколи не намагайтесь відкривати батарею.
- Не занурюйте батарею у воду.
- Не зберігайте у місцях, де температура може перевищувати 40 °C.
- Заряджайте лише за температури навколишнього середовища між 10 °C та 40 °C.
- Заряджайте лише за допомогою зарядного пристрою, що надається з інструментом.

- Під час утилізації батарей виконуйте інструкції, наведені в розділі «Захист навколишнього середовища».

Зарядні пристрої

- Використовуйте зарядний пристрій STANLEY FATMAX зарядки батарей лише того інструмента, з яким він був у комплекті. Інші батареї можуть вибухнути, спричинивши травми та пошкодження.
- Ніколи не намагайтесь заряджати батареї, що не підлягають зарядці.
- Негайно замініть пошкоджений шнур живлення.
- Не занурюйте зарядний пристрій у воду.
- Не відкривайте корпус зарядного пристрою.
- Не розбирайте зарядний пристрій.



Зарядний пристрій призначений для використання в приміщенні.



Прочитайте інструкції цього посібника перед використанням.



Не заряджайте пошкоджені батареї.

Електрична безпека



Зарядний пристрій має подвійну ізоляцію, тому заземлення непотрібне. Завжди перевіряйте відповідність джерела живлення напрузі, що вказана на таблиці з паспортними даними. Ніколи не намагайтесь замінити зарядний пристрій звичайним мережним штепселем.

- Якщо силовий кабель пошкоджений, його необхідно замінити у виробника або в офіційному сервісному центрі STANLEY FATMAX для уникнення небезпеки.



Увага! Ніколи не намагайтесь замінити зарядний пристрій звичайним мережним штепселем.

Компоненти

Цей пристрій має всі або деякі з нижче перерахованих компонентів.

1. Тригерний перемикач
2. Кнопка реверсу (вперед/назад)
3. Налаштувальне кільце крутного моменту
4. Селектор двохшвидкісного приводу
5. Патрон без ключа
6. Батарея
7. Кнопка звільнення акумулятора
8. Світлодіодний індикатор роботи

Використання



Увага! Інструмент повинен працювати з рекомендованою швидкістю. Не перевантажуйте його.

Зарядження акумуляторної батареї (рис. А)

Необхідно зарядити батарею перед першим використанням, а також коли вона не може забезпечити достатню потужність для виконання завдань, які легко виконувались раніше.

Батарея може стати теплою під час зарядки; це нормально та не є показником проблеми.



Увага! Не заряджайте батарею за температури навколишнього середовища нижче 10 °C або вище 40 °C. Рекомендована температура зарядки: приблизно 24 °C.




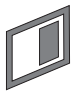
Примітка. Зарядний пристрій не заряджає батарею, якщо її температура нижче приблизно 10 °C або вище 40 °C.



Батарею потрібно залишити у зарядному пристрої, який автоматично почне її заряджати, коли температура батареї підніметься або зменшиться.

Примітка. Щоб забезпечити максимальну продуктивність та тривалість роботи літій-іонних акумуляторів, повністю заряджайте їх перед першим використанням.

- Підключіть зарядний пристрій (9) до відповідної розетки перед встановленням акумулятора (6).
- Зелений індикатор зарядки (9a) буде блимати постійно, вказуючи на те, що процес зарядки розпочався.
- Після завершення зарядки зелений індикатор зарядки (9a) залишається постійно включеним. Це означає, що акумулятор (6) повністю заряджений та може бути вийнятий та використовуватися одразу або залишатися в зарядному пристрої.
- Не тримайте батареї розрядженими більше 1 тижня. Термін служби батареї значно зменшується, якщо вона зберігається у незарядженому стані.

Режими світлодіода зарядного пристрою

	Заряджається: Зелений світлодіод блимає	
	Повністю заряджений: Зелений світлодіод постійно горить	

	Затримка через надмірно високу/низьку температуру батареї: Зелений світлодіод блимає Червоний світлодіод постійно горить	
-----------------------------------------------------------------------------------	---------------------------------------------------------------------------------------------------------------------------------------	------------------------------------------------------------------------------------

Примітка. Сумісний зарядний пристрій не буде заряджати несправний акумулятор. Зарядний пристрій розпізнає несправну акумуляторну батарею та не ввімкне світловий індикатор.

Примітка. Це також може свідчити про проблему з зарядним пристроєм. Якщо виявлено проблему із зарядним пристроєм, віднесіть зарядний пристрій та акумулятор для перевірки в авторизований сервісний центр.

Залишення батареї в зарядному пристрої

Батареї можна залишити в зарядному пристрої на необмежений час з індикатором, який працює. Зарядний пристрій буде підтримувати батарею у повністю зарядженому стані.

Затримка через надмірно високу/низьку температуру батареї

Якщо зарядний пристрій визначає, що батарея є занадто гарячою або занадто холодною, він автоматично вмикає режим температурної затримки, зелений світлодіодний індикатор (9a) буде періодично блимати, а червоний світлодіодний індикатор (9b) буде постійно горіти, припиняючи процес зарядки, доки батарея не досягне відповідної температури. Після досягнення прийнятної температури зарядний пристрій автоматично перемикається в режим зарядки батареї. Ця функція забезпечує максимальний термін служби акумулятора.

Індикатор стану зарядки акумулятора (рис. В)

Акумулятор містить індикатор стану зарядки для швидкого визначення заряду батареї, як показано на рисунку В. Натиснувши кнопку стану зарядки (6a), можна легко переглянути, скільки заряду залишилося в акумуляторі, як показано на рисунку В.



Встановлення акумулятора в інструмент та його виймання з інструмента



Увага! Перед встановленням та зніманням батареї переконайтесь, що інструмент заблокований, щоб уникнути його випадкового запуску.

Встановлення акумуляторної батареї (рис. С)

- Вставте акумулятор в інструмент до упору, щоб почути звук клацання, як показано на рисунку А. Переконайтеся, що акумулятор повністю вставлений і зафіксований в цьому положенні.

Виймання акумуляторної батареї (рис. D)

- Натисніть кнопку вивільнення батареї (7), як показано на рисунку D, та витягніть її з пристрою.

Гачок для ремня (додатковий аксесуар) (рис. E, F)

Увага! Щоб знизити ризик серйозних травм, встановіть кнопку реверсу (вперед/назад) у положення блокування або вимкніть інструмент та відключіть акумулятор перед виконанням будь-яких налаштувань або зніманням/встановленням насадок або аксесуарів. Випадковий запуск може призвести до травм.



Увага! Для зменшення ризику травматизму використовуйте поясний гач (10) ЛИШЕ для підвішування інструменту на робочому поясі. НЕ використовуйте поясний гач для підвішування або фіксації інструмента, який працює, на тілі людини або іншому предметі. НЕ підвішуйте інструмент догори ногами та не вішайте предмети на поясний гач.



Увага! Щоб знизити ризик отримання важких травм, переконайтеся у надійній фіксації гвинта (11), який утримує поясний гачок.

Примітка. Для встановлення або заміни поясного гачка (10) використовуйте лише гвинт (11), який йде в комплекті. Переконайтеся, що гвинт надійно затягнутий. Поясний гач (10) можна припасувати у проризи (12) з будь-якої сторони приладу з використанням того гвинта (11), який надається в комплекті для використання правшами та шульгами. Якщо гач непотрібний взагалі, його можна зняти з інструмента. Щоб переставити поясний гачок (10), викрутіть гвинт (11), який його кріпить, а потім встановіть його з протилежної сторони. Переконайтеся, що гвинт надійно затягнутий (11).

Примітка. Можливі різні конфігурації зберігання і гачка для пересувного підвішування на стіну.

Відвідайте наш сайт www.stanleytools.eu/3 для подальшої інформації.

Патрон без ключа (рис. G)

Увага! Перед встановленням та зніманням насадок переконайтеся, що акумулятор витягнений з нього, щоб уникнути випадкового запуску інструменту.

Встановлення свердла та інших насадок:

- Візьміть патрон (5) і поверніть його проти годинникової стрілки, якщо дивитися з точки зору патрону.

- Повністю вставте свердел або іншу насадку (13) повністю у патрон та міцно затягніть його, повертаючи патрон за годинниковою стрілкою, якщо дивитися з точки зору патрону.



Увага! Не намагайтеся затягувати або відпускати свердел (або іншу насадку), тримаючи передню частину патрону та вмикаючи інструмент.

Заміна насадок може призвести до ушкодження патрону та травм.

Тригерний перемикач та кнопка вперед/назад (рис. H)

- Дриль вмикається і вимикається шляхом натискання і відпускання тригерного перемикача (1), показаного на рисунку H. Чим сильніше натискається перемикач, тим вище буде швидкість свердла.
- Реверсивна кнопка (2) визначає напрямок обертання інструменту, а також є кнопкою блокування.
- Для активації обертання вперед, відпустіть тригерний перемикач та натисніть кнопку перемикачання напрямку обертання вперед/назад на правій стороні інструменту.
- Щоб обрати обертання назад, натисніть реверсивну кнопку на лівій стороні інструменту.
- Реверсивна кнопка у центральному положенні блокує інструмент у вимкненому стані. При зміні положення кнопки переконайтеся, що тригер відпущений.

Налаштування регулятора крутного моменту (рис. I)

Інструмент оснащено кільцем регулювання крутного моменту (3), що дозволяє обрати робочий режим та встановити крутний момент для затягування гвинтів. Великі гвинти та тверді матеріали вимагають більшого крутного моменту, ніж малі гвинти та м'які матеріали.

- Для свердління дерева, металу та пластику встановіть налаштувальне кільце (3) на символ свердління.
- Для використання в якості викрутки встановіть кільце у бажане положення. Якщо ви не знаєте точно, в яке положення потрібно його встановити, виконайте наступні дії:
 - ◆ Встановіть кільце на найнижче значення крутного моменту.
 - ◆ Затягніть перший гвинт.
 - ◆ Якщо муфта зупиниться до досягнення бажаного результату, збільшіть значення кільця та продовжуйте затягування гвинта.
 - ◆ Повторіть до встановлення бажаного положення кільця.
 - ◆ Використовуйте це положення для інших гвинтів.

Перемикач режимів швидкості (рис. J)

Підтримка двох швидкостей роботи дрילה дозволяє змінювати швидкість для виконання різноманітних завдань.

- Щоб обрати повільну швидкість, високий крутний момент (положення 1), вимніть інструмент та зачекайте його повної зупинки. Перемістіть кнопку зміни швидкості (4) від затискного патрону.
- Щоб обрати високу швидкість, низький крутний момент (положення 2), вимніть інструмент та зачекайте його повної зупинки. Перемістіть кнопку зміни швидкості назад до затискного патрону.

Примітка. Не змінюйте швидкість під час роботи пристрою. Якщо у вас виникли проблеми зі зміною швидкості, переконайтесь, що кнопка зміни швидкості переміщена повністю вперед або повністю назад.

Закручування шурупів

- Для закручування кріпильних елементів потягніть кнопку реверсу (вперед/назад) вліво.
- Скористайтесь також кнопкою реверсу (потягніть її вправо) для викручування кріпильних елементів.

Примітка. Завжди спочатку відпустіть тригерний перемикач, щоб змінити положення реверсивної кнопки вперед-назад чи навпаки.

Свердління

- Завжди використовуйте гострі свердла.
- Добре підтримуйте та фіксуйте деталь, з якою працюєте, як описано у розділі Інструкції з техніки безпеки.
- Використовуйте відповідні засоби безпеки, як описано у розділі Інструкції з техніки безпеки.
- Підтримуйте безпеку та охайність робочої зони, як описано у розділі Інструкції з техніки безпеки.
- Працюйте з дрилем повільно, використовуючи незначний тиск, доки просвердлений отвір буде достатнім, щоб утримувати свердел.
- Натискайте на інструмент, спрямовуючи силу по прямій лінії зі свердлом. Натискайте так, щоб свердел продовжував робити отвір, але не дуже сильно, щоб не спричинити заїдання мотору та згинання свердла.
- Тримайте дріль міцно двома руками, одна рука повинна бути на ручці, а інша – знизу біля акумулятора або на допоміжній ручці, якщо вона передбачена.
- НЕ НАТИСКАЙТЕ ТРИГЕРНИЙ ПЕРЕМІКАЧ ДРИЛЮ, ЯКИЙ ЗАЇВ, У СПРОБІ ЙОГО ЗАПУСКУ. ЦЕ МОЖЕ ПРИЗВЕСТИ ДО ПОШКОДЖЕННЯ ДРИЛЮ.**
- Скоротіть вірогідність заїдання на останньому етапі просвердлювання отвору, зменшуючи тиск та повільно завершуючи свердління отвору.
- Мотор повинен працювати, коли ви витягаєте свердел з просвердленого отвору. Це дозволить уникнути заїдання.
- Переконайтесь, що перемикач вмикає та вимикає дріль.

Свердління деревини

Отвори в дереві можна просвердлити такими самими спіральними свердлами, що використовуються для металу, або за допомогою перовими свердлами. Ці свердла мають бути гострими, їх потрібно часто витягати під час свердління, щоб очистити тирсу з пазів.

Свердління металу

Використовуйте мастильно-охолоджуючу рідину при свердлінні металу. Винятками при цьому є чавун та латунь, які повинні бути сухими під час свердління. Найкраще використовувати сульфовану мастильно-охолоджуючу рідину.

Світлодіодний індикатор (рис. H)

Коли дріль активується шляхом натискання тригерного перемикача (1), вбудований світлодіодний індикатор (8) автоматично освітлює робочу зону.

Примітка. Таке підсвічування призначено для освітлення безпосередньої робочої поверхні та не повинно використовуватись в якості ліхтарика.

Пошук та усунення несправностей

Проблема	Можлива причина	Можливе рішення
Пристрій не запускається.	Акумулятор встановлений невірно. Акумулятор не заряджається.	Перевірте установку акумулятора. Перевірте вимоги до зарядки акумуляторного блоку
Пристрій запускається відразу після установки акумулятора	Перемикач був залишений у положенні Увімк.	Перемикач необхідно перемістити в положення Вимк., щоб уникнути миттєвого запуску інструменту після установки акумулятора.
Акумулятор не заряджається.	Акумулятор не вставлений у зарядний пристрій. Зарядний пристрій не підключений до мережі живлення. Температура навколишнього середовища занадто висока або занадто низька.	Вставте акумулятор у зарядний пристрій так, щоб загорівся індикатор. Підключіть зарядний пристрій до робочої розетки. Помістіть зарядний пристрій та інструмент у середовище з температурою вище 45 °C або нижче +40,5 °C.
Пристрій різко вимкнувся.	Акумулятор досягнув максимального термічного ліміту. Розряджений акумулятор. (Щоб максимально подовжити термін роботи акумулятора, він розроблений таким чином, що пристрій різко вимикається, коли акумулятор розряджається)	Дайте акумулятору охолонути. Встановіть акумулятор в зарядний пристрій та зарядіть його.

Технічне обслуговування

Ваш інструмент виробництва компанії BLACKDECKER призначений для роботи протягом тривалого часу з мінімальним обслуговуванням. Довга задовільна робота приладу залежить від належного обслуговування приладу та регулярного його очищення.

Зарядний пристрій не вимагає технічного обслуговування, потрібно лише виконувати регулярне очищення.



Увага! Перед проведенням будь-яких робіт по технічному обслуговуванню необхідно вилучити батарею з інструмента. Витягніть зарядний пристрій з розетки перед очищенням.

- Регулярно очищуйте вентиляційні отвори інструменту та зарядного пристрою, використовуючи м'яку щітку або суху тканину.
- Регулярно очищуйте корпус двигуна вологою тканиною.
- Не використовуйте абразивні очищувачі та засоби, що містять розчинники.

Захист навколишнього середовища



Роздільний збір. Пристрої та батареї, позначені цим символом, не можна викидати зі звичайним побутовим сміттям.

Пристрої та батареї містять матеріали, які можна відновити та переробити, що зменшить потребу у сировині.

Будь ласка, віддавайте електричні інструменти та батареї на переробку відповідно до місцевих постанов.

Більш детальну інформацію можна отримати на сайті www.2helpU.com

Технічні характеристики

		SCD708
Напруга	V _{пост. струму}	18 В
Швидкість без навантаження	X _B ⁻¹	0-400/0-1500
Макс. крутний момент	Н·м	52
Найбільший діаметр свердла, що затискається в патроні	мм	13
Максимальна глибина свердління		
Метал/деревина/кам'яна кладка	мм	13/35/13
Маса	кг	1,2

Зарядний пристрій		SC125	SC200	SC400 SC401
Вхідна напруга	V _{мін. струму}	220-240	220-240	220-240

Зарядний пристрій		SC125	SC200	SC400 SC401
Вихідна напруга	V _{пост. струму}	18 В (20 В МАКС)	18 В (20 В МАКС)	18 В (20 В МАКС)
Струм	A	1,25	2	4

Батарея		SB201	SB202	SB204	SB206
Напруга	V _{пост. струму}	18 В (20 В МАКС)	18 В (20 В МАКС)	18 В (20 В МАКС)	18 В (20 В МАКС)
Ємність	Ам-пер-го-дин	1,5	2,0	4,0	6,0
Тип		Літій-іонна	Літій-іонна	Літій-іонна	Літій-іонна

Рівень звукового тиску згідно з EN62841:

Звуковий тиск (L_{рА}) 70,0 дБ(А), похибка (К) 5 дБ(А)

Звукова потужність (L_{WA}) 81,0 дБ(А), похибка (К) 5 дБ(А)

Загальні значення вібрації (векторна сума трьох векторів) згідно з EN62841:

Свердління металу (a_{h, D}) 1,2 м/с², похибка (К) 1,5 м/с²

Декларація про відповідність нормам ЄС

ДИРЕКТИВА ДЛЯ МЕХАНІЧНОГО ОБЛАДНАННЯ



SCD708 – Дриль

Компанія STANLEY Europe заявляє, що продукти, описані у розділі «Технічні дані» відповідають вимогам: EN62841-1:2015, EN62841-2-1:2018.

Ці вироби також відповідають Директиві 2006/42/EC, 2014/30/EU і 2011/65/EU. Для отримання додаткової інформації зверніться до компанії STANLEY Europe за наведеною нижче адресою або прочитайте інформацію на

зворотному боці цього посібника.

Для отримання додаткової інформації, будь ласка, зверніться до компанії STANLEY FATMAX за наведеною нижче адресою або прочитайте інформацію на зворотному боці цього посібника.

Нижчепідписаний несе відповідальність за упорядкування файлу технічних характеристик та робить цю заяву від компанії

STANLEY FATMAX.



Patrick Diepenbach

Генеральний директор, Бенелюкс,
Black and Decker, Egide Walschaertsstraat14-18,
2800 Мехелен, Бельгія
11.03.2021

Гарантія

Компанія STANLEY FATMAX впевнена в якості своєї продукції та пропонує споживачам гарантію тривалістю 12 місяців з дати покупки. Ця гарантія доповнює і жодним чином не обмежує ваші законні права. Ця гарантія є чинною на території країн-членів Європейського союзу та в європейській зоні вільної торгівлі.

Позив за гарантією повинен відповідати умовам компанії Stanley FATMAX, при цьому вам необхідно буде надати доказ покупки продавцю або спеціалісту офіційного сервісного центру. Умови гарантії компанії STANLEY FATMAX на 1 рік та місцезнаходження найближчого сервісного центру можна дізнатися в інтернеті на сайті www.2helpU.com або звернутися до місцевого представництва компанії STANLEY FATMAX за адресою, вказаною у цьому керівництві.

Відвідайте наш сайт www.stanleytools.eu/3, щоб зареєструвати свій новий продукт STANLEY FATMAX та отримувати інформацію про нові продукти та спеціальні пропозиції



Виробник:

"Stanley Black & Decker Deutschland GmbH" Black-&-Decker Str.40, D-65510 Idstein, Німеччина

STANLEY
FATMAX

ГАРАНТІЙНИЙ ТАЛОН

3 РОКИ
ГАРАНТІЇ

1. Вітаємо Вас з покупкою високоякісного виробу Stanley FATMAX і висловлюємо вдячність за Ваш вибір.
2. При покупці виробу вимагайте перевірки його комплектності і справності у Вашій присутності, інструкцію з експлуатації та заповнений гарантійний талон українською мовою. В гарантійному талоні повинні бути внесені: модель, дата продажу, серійний номер, дата виробництва інструменту, назва, печатка і підпис торгової організації. За відсутності у Вас правильно заповненого гарантійного талону, а також при невідповідності зазначених у ньому даних ми будемо змушені відхилити Ваші претензії щодо якості даного виробу.
3. Щоб уникнути непорозуміння, переконливо просимо Вас перед початком роботи з виробом уважно ознайомитися з інструкцією з його експлуатації. Правовою основою справжніх гарантійних умов є чинне Законодавство. Гарантійний термін на даний виріб складає 36 місяців і обчислюється з дня продажу. У разі усунення недоліків виробу, гарантійний строк продовжується на період його перебування в ремонті. Термін служби виробу становить 5 років з дня продажу.
4. У разі виникнення будь-яких проблем у процесі експлуатації виробу рекомендуємо Вам звертатися тільки в уповноважені сервісні центри Stanley FATMAX, адреси та телефони яких Ви зможете знайти в гарантійному талоні, на сайті www.2helpU.com або дізнатися в магазині. Наші сервісні станції - це не тільки кваліфікований ремонт, але і широкий асортимент запчастин і аксесуарів.
5. Виробник рекомендує проводити періодичну перевірку і технічне обслуговування виробу в уповноважених сервісних центрах.
6. Наші гарантійні зобов'язання поширюються тільки на несправності, виявлені протягом гарантійного терміну і викликані дефектами виробництва та \ або матеріалів.
7. Гарантійні умови не поширюються на несправності виробу, що виникли в результаті:
 - 7.1. Недотримання користувачем приписів інструкції з експлуатації виробу, застосування виробу не за призначенням, неправильного зберігання, використання приладдя, витратних матеріалів і запчастин, що не передбачені виробником.
 - 7.2. Механічного пошкодження (відколю, тріщини і руйнування) внутрішніх і зовнішніх деталей виробу, основних і допоміжних рукояток, мережевого кабелю, що викликані зовнішнім ударним або будь-яким іншим впливом
 - 7.3. Потраплення у вентиляційні отвори та проникнення всередину виробу сторонніх предметів, матеріалів або речовин, що не є відходами, які супроводжують застосування виробу за призначенням, такими як: стружка, тирса, пісок, та ін.
 - 7.4. Впливу на виріб несприятливих атмосферних і інших зовнішніх факторів, таких як дощ, сніг, підвищена вологість, нагрівання, агресивні середовища, невідповідність параметрів електромережі, що зазначені на інструменті.
 - 7.5. Стихійного лиха. Пошкодження або втрати виробу, що пов'язані з непередбаченими лихами, стихійними явищами, у тому числі внаслідок дії непереборної сили (пожежа, блискавка, потоп і інші природні явища), а також внаслідок перепадів напруги в електромережі та іншими причинами, які знаходяться поза контролем виробника.
8. Гарантійні умови не поширюються:
 - 8.1. На інструменти, що піддавались розкриттю, ремонту або модифікації поза уповноваженим сервісним центром.
 - 8.2. На деталі, вузли та матеріали, що мають сліди природного зносу, такі як: приводні реміні і колеса, вугільні шітки, мастило, підшипники, зубчасті зчеплення редукторів, гумові ущільнення, сальники, направляючі ролики, муфти, вимикачі, бойки, штовхачі, стовпи тощо.
 - 8.3. На змінні частини: патрони, цанги, затискні гайки і фланці, фільтри, ножі, шліфувальні підшови, ланцюги, зірочки, пильні шини, захисні кожухи, пилки, абразиви, пильні і абразивні диски, фрези, свердла, бури тощо
 - 8.4. На несправності, що виникли в результаті перевантаження інструменту (як механічного, так і електричного), що спричинили вихід з ладу одночасно двох і більше деталей і вузлів, таких як: ротора і статора, обох обмоток статора, веденої і ведучої шестерень редуктора або інших вузлів і деталей. До безумовних ознак перевантаження виробу відносяться, крім інших: поява кольорів мінливості, деформація або оплавлення деталей і вузлів виробу, потемніння або обуглювання ізоляції проводів електродровгуну під впливом високої температури.

Товар отриманий в справному стані, без видимих ушкоджень, в повній комплектції, перевірений у моїй присутності, претензій щодо якості товару не маю. З умовами гарантійного обслуговування ознайомлений і згоден.

П. І. Б. та підпис власника _____

Шановні клієнти, наша мережа авторизованих сервісних центрів постійно розширюється. Актуальну інформацію про обслуговування в місті, що цікавить вас, ви можете дізнатися на сайті

www.2helpU.com

Інформація про інструмент

Найменування інструменту	
Модель	
Найменування продавця	
Дата продажу	

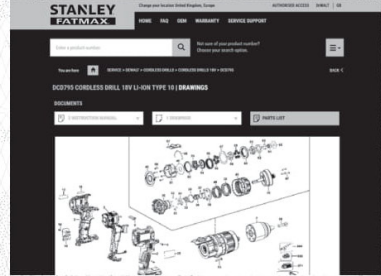
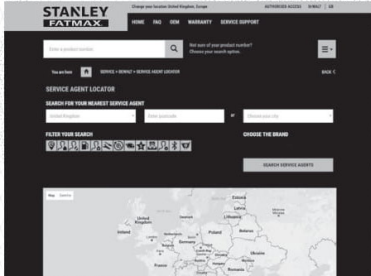
М.П.
Продавця

Серійний номер/Дата виробництва

Інструмент	
Зарядний пристрій	
Акумулятор 1	
Акумулятор 2	

На сайті www.2helpU.com доступні наступні функції:

- Список авторизованих сервісних центрів
- Зручний пошук найближчого сервісного центру
- Керівництво з експлуатації
- Технічні характеристики
- Список деталей і запасних частин
- Схема складання інструменту



Також дану інформацію ви можете отримати, зателефонувавши за номером:
0 (800) 211 521 в Україні

ВІДМІТКА ПРО ПРОВЕДЕННЯ СЕРВІСНОГО ОБСЛУГОВУВАННЯ

№1	№2	№3	№4
№ замовлення	№ замовлення	№ замовлення	№ замовлення
Дата прийому	Дата прийому	Дата прийому	Дата прийому
Дата ремонту	Дата ремонту	Дата ремонту	Дата ремонту
Печатка і підпис сервісного центру	Печатка і підпис сервісного центру	Печатка і підпис сервісного центру	Печатка і підпис сервісного центру

