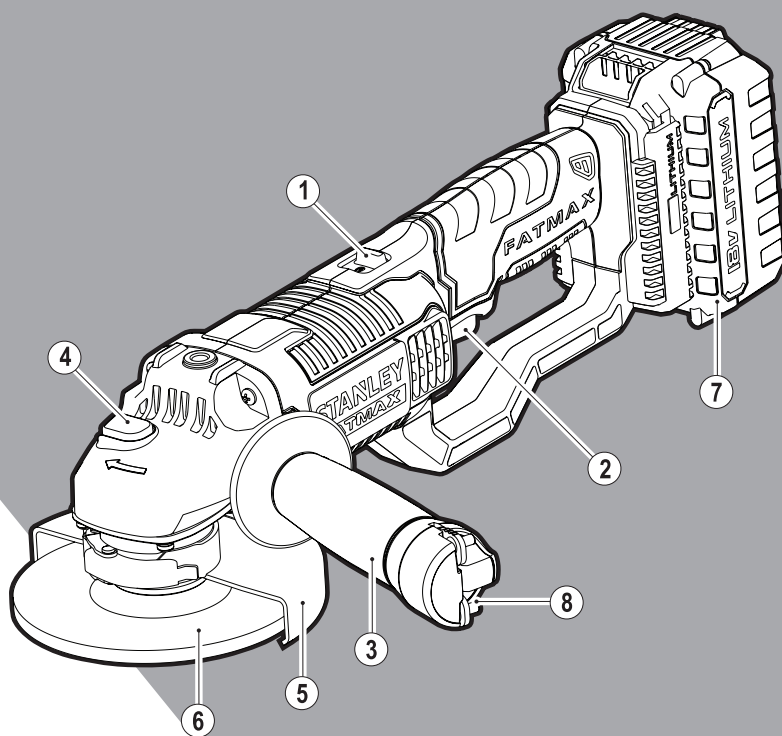


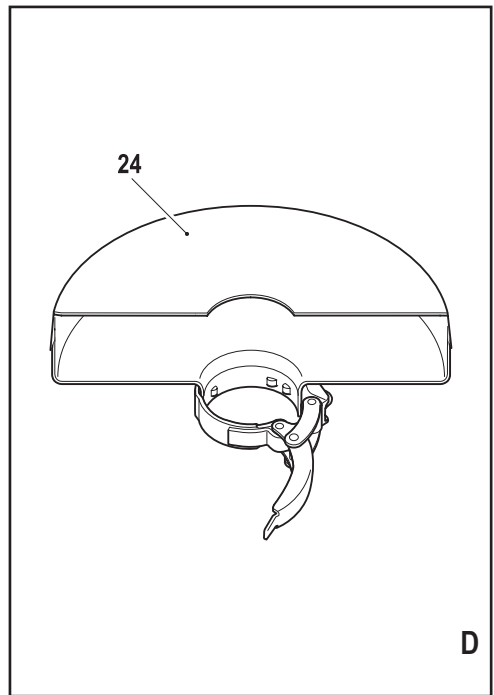
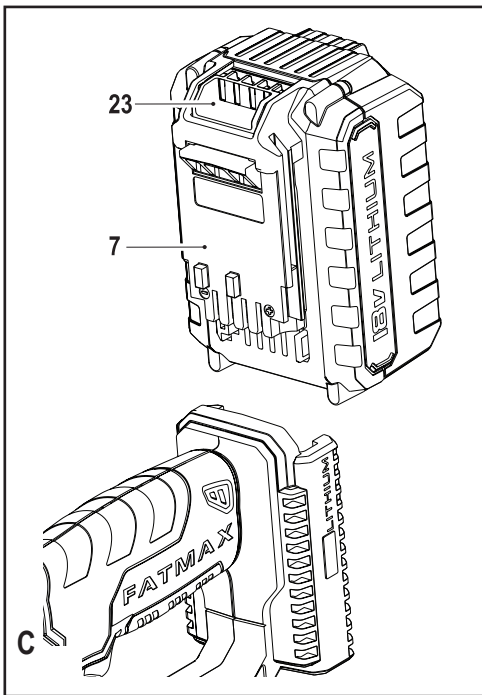
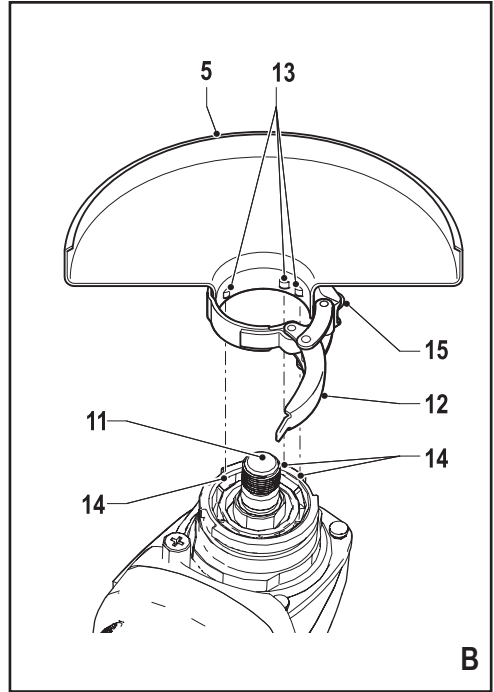
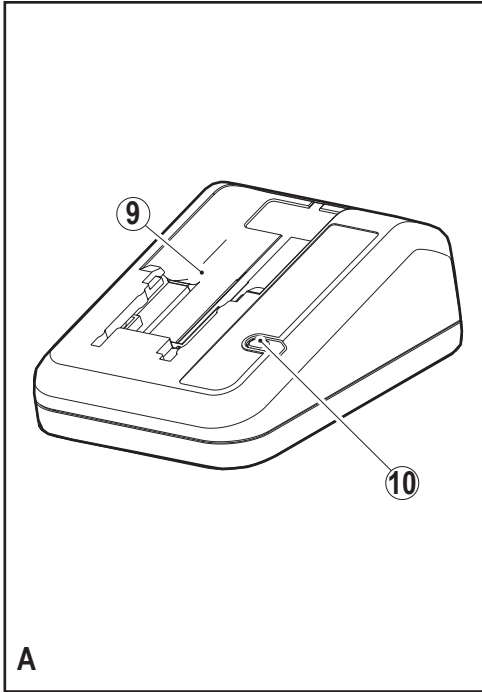
STANLEY®

FATMAX®



www.stanley.eu

FMC761



Intended use

Your Stanley Fat Max FMC721 angle grinder has been designed for grinding and cutting metal and masonry using the appropriate type of cutting or grinding disc. The tool must be fitted with the appropriate guard. This tool is intended for professional and private, non professional users.

Safety instructions

General power tool safety warnings



Warning! Read all safety warnings and all instructions. Failure to follow the warnings and instructions listed below may result in electric shock, fire and/or serious injury.

Save all warnings and instructions for future reference.

The term "power tool" in all of the warnings listed below refers to your mains operated (corded) power tool or battery operated (cordless) power tool.

1. Work area safety

- a. **Keep work area clean and well lit.** Cluttered or dark areas invite accidents.
- b. **Do not operate power tools in explosive atmospheres, such as in the presence of flammable liquids, gases or dust.** Power tools create sparks which may ignite the dust or fumes.
- c. **Keep children and bystanders away while operating a power tool.** Distractions can cause you to lose control.

2. Electrical safety

- a. **Power tool plugs must match the outlet. Never modify the plug in any way. Do not use any adapter plugs with earthed (grounded) power tools.** Unmodified plugs and matching outlets will reduce risk of electric shock.
- b. **Avoid body contact with earthed or grounded surfaces such as pipes, radiators, ranges and refrigerators.** There is an increased risk of electric shock if your body is earthed or grounded.
- c. **Do not expose power tools to rain or wet conditions.** Water entering a power tool will increase the risk of electric shock.
- d. **Do not abuse the cord. Never use the cord for carrying, pulling or unplugging the power tool. Keep cord away from heat, oil, sharp edges or moving parts.** Damaged or entangled cords increase the risk of electric shock.
- e. **When operating a power tool outdoors, use an extension cord suitable for outdoor use.** Use of a cord suitable for outdoor use reduces the risk of electric shock.
- f. **If operating a power tool in a damp location is unavoidable, use a residual current device (RCD)**

protected supply. Use of an RCD reduces the risk of electric shock.

3. Personal safety

- a. **Stay alert, watch what you are doing and use common sense when operating a power tool. Do not use a power tool while you are tired or under the influence of drugs, alcohol or medication.** A moment of inattention while operating power tools may result in serious personal injury.
- b. **Use personal protective equipment. Always wear eye protection.** Protective equipment such as dust mask, non-skid safety shoes, hard hat, or hearing protection used for appropriate conditions will reduce personal injuries.
- c. **Prevent unintentional starting. Ensure the switch is in the off-position before connecting to power source and/or battery pack, picking up or carrying the tool.** Carrying power tools with your finger on the switch or energising power tools that have the switch on invites accidents.
- d. **Remove any adjusting key or wrench before turning the power tool on.** A wrench or a key left attached to a rotating part of the power tool may result in personal injury.
- e. **Do not overreach. Keep proper footing and balance at all times.** This enables better control of the power tool in unexpected situations.
- f. **Dress properly. Do not wear loose clothing or jewellery. Keep your hair, clothing and gloves away from moving parts.** Loose clothes, jewellery or long hair can be caught in moving parts.
- g. **If devices are provided for the connection of dust extraction and collection facilities, ensure these are connected and properly used.** Use of dust collection can reduce dust-related hazards.

4. Power tool use and care

- a. **Do not force the power tool. Use the correct power tool for your application.** The correct power tool will do the job better and safer at the rate for which it was designed.
- b. **Do not use the power tool if the switch does not turn it on and off.** Any power tool that cannot be controlled with the switch is dangerous and must be repaired.
- c. **Disconnect the plug from the power source and/or the battery pack from the power tool before making any adjustments, changing accessories, or storing power tools.** Such preventive safety measures reduce the risk of starting the power tool accidentally.
- d. **Store idle power tools out of the reach of children and do not allow persons unfamiliar with the power tool or these instructions to operate the power tool.** Power tools are dangerous in the hands of untrained users.

- e. **Maintain power tools. Check for misalignment or binding of moving parts, breakage of parts and any other condition that may affect the power tools operation. If damaged, have the power tool repaired before use.** Many accidents are caused by poorly maintained power tools.
- f. **Keep cutting tools sharp and clean.** Properly maintained cutting tools with sharp cutting edges are less likely to bind and are easier to control.
- g. **Use the power tool, accessories and tool bits etc. in accordance with these instructions, taking into account the working conditions and the work to be performed.** Use of the power tool for operations different from those intended could result in a hazardous situation.
5. **Battery tool use and care**
- a. **Recharge only with the charger specified by the manufacturer.** A charger that is suitable for one type of battery pack may create a risk of fire when used with another battery pack.
- b. **Use power tools only with specifically designated battery packs.** Use of any other battery packs may create a risk of injury and fire.
- c. **When battery pack is not in use, keep it away from other metal objects, like paper clips, coins, keys, nails, screws, or other small metal objects, that can make a connection from one terminal to another.** Shorting the battery terminals together may cause burns or a fire.
- d. **Under abusive conditions, liquid may be ejected from the battery; avoid contact. If contact accidentally occurs, flush with water. If liquid contacts eyes, additionally seek medical help.** Liquid ejected from the battery may cause irritation or burns.
6. **Service**
- a. **Have your power tool serviced by a qualified repair person using only identical replacement parts.** This will ensure that the safety of the power tool is maintained.

Additional power tool safety warnings



Warning! Additional safety warnings for grinding, sanding, wire brushing, polishing or abrasive cutting-off operations.

- ◆ **This power tool is intended to function as a grinder, sander, wire brush, polisher or cut-off tool. Read all safety warnings, instructions, illustrations and specifications provided with this power tool.** Failure to follow all instructions listed below may result in electric shock, fire and/or serious injury.
- ◆ **Operations for which the power tool was not designed may create a hazard and cause personal injury.**
- ◆ **Do not use accessories which are not specifically designed and recommended by the tool manufacturer.** Just because the accessory can be attached to your power tool, it does not assure safe operation.
- ◆ **The rated speed of the accessory must be at least equal to the maximum speed marked on the power tool.** Accessories running faster than their rated speed can break and fly apart
- ◆ **The outside diameter and the thickness of your accessory must be within the capacity rating of your power tool.** Incorrectly sized accessories cannot be adequately guarded or controlled.
- ◆ **Threaded mounting of accessories must match the grinder spindle thread. For accessories mounted by flanges, the arbour hole of the accessory must fit the locating diameter of the flange.** Accessories that do not match the mounting hardware of the power tool will run out of balance, vibrate excessively and may cause loss of control.
- ◆ **Do not use a damaged accessory. Before each use inspect the accessory such as abrasive wheels for chips and cracks, backing pad for cracks, tear or excess wear, wire brush for loose or cracked wires. If power tool or accessory is dropped, inspect for damage or install an undamaged accessory. After inspecting and installing an accessory, position yourself and bystanders away from the plane of the rotating accessory and run the power tool at maximum no-load speed for one minute.** Damaged accessories will normally break apart during this test time.
- ◆ **Wear personal protective equipment. Depending on application, use face shield, safety goggles or safety glasses. As appropriate, wear dust mask, hearing protectors, gloves and workshop apron capable of stopping small abrasive or workpiece fragments.** The eye protection must be capable of stopping flying debris generated by various operations. The dust mask or respirator must be capable of filtering particles generated by your operation. Prolonged exposure to high intensity noise may cause hearing loss.
- ◆ **Keep bystanders a safe distance away from work area. Anyone entering the work area must wear personal protective equipment.** Fragments of workpiece or of a broken accessory may fly away and cause injury beyond immediate area of operation.
- ◆ **Hold power tool by insulated gripping surfaces only, when performing an operation where the cutting accessory may contact hidden wiring or its own cord.** Cutting accessory contacting a "live" wire may make exposed metal parts of the power tool "live" and could give the operator an electric shock.

- ◆ **Position the cord clear of the spinning accessory.** If you lose control, the cord may be cut or snagged and your hand or arm may be pulled into the spinning accessory.
- ◆ **Never lay the power tool down until the accessory has come to a complete stop.** The spinning accessory may grab the surface and pull the power tool out of your control.
- ◆ **Do not run the power tool while carrying it at your side.** Accidental contact with the spinning accessory could snag your clothing, pulling the accessory into your body.
- ◆ **Regularly clean the power tool's air vents.** The motor's fan will draw the dust inside the housing and excessive accumulation of powdered metal may cause electrical hazards.
- ◆ **Do not operate the power tool near flammable materials.** Sparks could ignite these materials.
- ◆ **Do not use accessories that require liquid coolants.** Using water or other liquid coolants may result in electrocution or shock.

Note: The above warning does not apply for power tools specifically designed for use with a liquid system.

Kickback and related warnings

Kickback is a sudden reaction to a pinched or snagged rotating wheel, backing pad, brush or any other accessory. Pinching or snagging causes rapid stalling of the rotating accessory which in turn causes the uncontrolled power tool to be forced in the direction opposite of the accessory's rotation at the point of the binding.

For example, if an abrasive wheel is snagged or pinched by the workpiece, the edge of the wheel that is entering into the pinch point can dig into the surface of the material causing the wheel to climb out or kick out. The wheel may either jump toward or away from the operator, depending on direction of the wheel's movement at the point of pinching. Abrasive wheels may also break under these conditions.

Kickback is the result of power tool misuse and/or incorrect operating procedures or conditions and can be avoided by taking proper precautions as given below.

- ◆ **Maintain a firm grip on the power tool and position your body and arm to allow you to resist kickback forces. Always use auxiliary handle, if provided, for maximum control over kickback or torque reaction during start-up.** The operator can control torque reactions or kickback forces, if proper precautions are taken.
 - ◆ **Never place your hand near the rotating accessory.** Accessory may kickback over your hand.
 - ◆ **Do not position your body in the area where power tool will move if kickback occurs.** Kickback will propel the tool in direction opposite to the wheel's movement at the point of snagging.
- ◆ **Use special care when working corners, sharp edges etc. Avoid bouncing and snagging the accessory.** Corners, sharp edges or bouncing have a tendency to snag the rotating accessory and cause loss of control or kickback.
 - ◆ **Do not attach a saw chain woodcarving blade or toothed saw blade.** Such blades create frequent kickback and loss of control.

Safety Warnings Specific for Grinding and Abrasive Cutting-Off Operations:

- ◆ **Use only wheel types that are recommended for your power tool and the specific guard designed for the selected wheel.** Wheels for which the power tool was not designed cannot be adequately guarded and are unsafe.
- ◆ **The grinding surface of centre depressed wheels must be mounted below the plane of the guard lip.** An improperly mounted wheel that projects through the plane of the guard lip cannot be adequately protected.
- ◆ **The guard must be securely attached to the power tool and positioned for maximum safety, so the least amount of wheel is exposed towards the operator.** The guard helps to protect operator from broken wheel fragments, accidental contact with wheel and sparks that could ignite clothing.
- ◆ **Wheels must be used only for recommended applications. For example: do not grind with the side of cut-off wheel.** Abrasive cut-off wheels are intended for peripheral grinding, side forces applied to these wheels may cause them to shatter.
- ◆ **Always use undamaged wheel flanges that are of correct size and shape for your selected wheel.** Proper wheel flanges support the wheel thus reducing the possibility of wheel breakage. Flanges for cut-off wheels may be different from grinding wheel flanges.
- ◆ **Do not use worn down wheels from larger power tools.** Wheel intended for larger power tool is not suitable for the higher speed of a smaller tool and may burst.

Additional safety warnings specific for abrasive cutting-off operations

- ◆ **Do not "jam" the cut-off wheel or apply excessive pressure. Do not attempt to make an excessive depth of cut.** Over stressing the wheel increases the loading and susceptibility to twisting or binding of the wheel in the cut and the possibility of kickback or wheel breakage.
- ◆ **Do not position your body in line with and behind the rotating wheel.** When the wheel, at the point of operation, is moving away from your body, the possible kickback may propel the spinning wheel and the power tool directly at you.
- ◆ **When wheel is binding or when interrupting a cut for any reason, switch off the power tool and hold the**

power tool motionless until the wheel comes to a complete stop. Never attempt to remove the cut-off wheel from the cut while the wheel is in motion otherwise kickback may occur. Investigate and take corrective action to eliminate the cause of wheel binding.

- ◆ **Do not restart the cutting operation in the workpiece. Let the wheel reach full speed and carefully re-enter the cut.** The wheel may bind, walk up or kickback if the power tool is restarted in the workpiece.
- ◆ **Support panels or any oversized workpiece to minimise the risk of wheel pinching and kickback.** Large workpieces tend to sag under their own weight. Supports must be placed under the workpiece near the line of cut and near the edge of the workpiece on both sides of the wheel.
- ◆ **Use extra caution when making a "pocket cut" into existing walls or other blind areas.** The protruding wheel may cut gas or water pipes, electrical wiring or objects that can cause kickback.

Safety warnings specific for sanding operation

- ◆ **Do not use excessively oversized sanding disc paper. Follow manufacturers recommendations, when selecting sanding paper.** Larger sanding paper extending beyond the sanding pad presents a laceration hazard and may cause snagging, tearing of the disc or kickback.

Safety warnings specific for polishing operation

- ◆ **Do not allow any loose portion of the polishing bonnet or its attachment strings to spin freely. Tuck away or trim any loose attachment strings.** Loose and spinning attachment strings can entangle your fingers or snag on the workpiece.

Safety warnings specific for wire brushing operations

- ◆ **Be aware that wire bristles are thrown by the brush even during ordinary operation. Do not overstress the wires by applying excessive load to the brush.** The wire bristles can easily penetrate light clothing and/or skin.
- ◆ **If the use of a guard is recommended for wire brushing, do not allow any interference of the wire wheel or brush with the guard.** Wire wheel or brush may expand in diameter due to work load and centrifugal forces.



Warning! Contact with or inhalation of dusts arising from sanding applications may endanger the health of the operator and possible bystanders. Wear a dust mask specifically designed for protection against dust and fumes and ensure that persons within or entering the work area are also protected.

Safety of others

- ◆ This tool can be used by children aged from 8 years and above and persons with reduced physical, sensory or mental capabilities or lack of experience and knowledge if they have been given supervision or instruction concerning use of the appliance in a safe way and understand the hazards involved.
- ◆ Children shall not play with the appliance. Cleaning and user maintenance shall not be made by children without supervision.

Residual risks

Additional residual risks may arise when using the tool which may not be included in the enclosed safety warnings. These risks can arise from misuse, prolonged use etc.

Even with the application of the relevant safety regulations and the implementation of safety devices, certain residual risks can not be avoided. These include:

- ◆ Injuries caused by touching any rotating/moving parts.
- ◆ Injuries caused when changing any parts, blades or accessories.
- ◆ Injuries caused by prolonged use of a tool. When using any tool for prolonged periods ensure you take regular breaks.
- ◆ Impairment of hearing.
- ◆ Health hazards caused by breathing dust developed when using your tool (example:- working with wood, especially oak, beech and MDF.)

Vibration

The declared vibration emission values stated in the technical data and the declaration of conformity have been measured in accordance with a standard test method provided by EN 60745 and may be used for comparing one tool with another. The declared vibration emission value may also be used in a preliminary assessment of exposure.

Warning! The vibration emission value during actual use of the power tool can differ from the declared value depending on the ways in which the tool is used. The vibration level may increase above the level stated.

When assessing vibration exposure to determine safety measures required by 2002/44/EC to protect persons regularly using power tools in employment, an estimation of vibration exposure should consider, the actual conditions of use and the way the tool is used, including taking account of all parts of the operating cycle such as the times when the tool is switched off and when it is running idle in addition to the trigger time.

Labels on tool

The following symbols are shown on the tool along with the date code:



Warning! To reduce the risk of injury, the user must read the instruction manual.



Wear safety glasses or goggles when operating this tool.



Wear ear protection when operating this tool.

Additional safety instructions for batteries and chargers

Batteries

- ◆ Never attempt to open for any reason.
- ◆ Do not expose the battery to water.
- ◆ Do not store in locations where the temperature may exceed 40 °C.
- ◆ Charge only at ambient temperatures between 10 °C and 40 °C.
- ◆ Charge only using the charger provided with the tool.
- ◆ When disposing of batteries, follow the instructions given in the section "Protecting the environment".



Do not attempt to charge damaged batteries.

Chargers

- ◆ Use your Stanley Fat Max charger only to charge the battery in the tool with which it was supplied. Other batteries could burst, causing personal injury and damage.
- ◆ Never attempt to charge non-rechargeable batteries.
- ◆ Have defective cords replaced immediately.
- ◆ Do not expose the charger to water.
- ◆ Do not open the charger.
- ◆ Do not probe the charger.



The charger is intended for indoor use only.



Read the instruction manual before use.

Electrical safety



Your charger is double insulated; therefore no earth wire is required. Always check that the mains voltage corresponds to the voltage on the rating plate. Never attempt to replace the charger unit with a regular mains plug.

- ◆ If the supply cord is damaged, it must be replaced by the manufacturer or an authorised Stanley Fat Max Service Centre in order to avoid a hazard.

Features

This appliance includes some or all of the following features.

1. Lock off switch
2. Trigger switch
3. Side handle
4. Spindle lock
5. Grinding guard
6. Grinding disc
7. Battery
8. Two pin spanner

fig. A

9. Battery charger
10. Charge indicator

Use

Warning! Let the tool work at its own pace. Do not overload.

- ◆ Be prepared for a stream of sparks when the grinding or cutting disc touches the workpiece.
- ◆ Always position the tool in such a way that the guard provides optimum protection from the grinding or cutting disc.

Charging the battery (fig. A)

The battery needs to be charged before first use and whenever it fails to produce sufficient power on jobs that were easily done before. The battery may become warm while charging; this is normal and does not indicate a problem.

Warning! Do not charge the battery at ambient temperatures below 10 °C or above 40 °C. Recommended charging temperature: approx. 24 °C.

Note: The charger will not charge a battery if the cell temperature is below approximately 10 °C or above 40 °C. The battery should be left in the charger and the charger will begin to charge automatically when the cell temperature warms up or cools down.

- ◆ To charge the battery (7), insert it into the charger (9).
The battery will only fit into the charger in one way. Do not force. Be sure that the battery is fully seated in the charger.
- ◆ Plug in the charger and switch on at the mains.

The charging indicator (10) will blink.

The charge is complete when the charging indicator (10) switches to continuously on. The charger and the battery can be left connected indefinitely. The LED will switch on as the charger occasionally tops up the battery charge.

- ◆ Charge discharged batteries within 1 week. Battery life will be greatly diminished if stored in a discharged state.

Leaving the battery in the charger

The charger and battery pack can be left connected with the LED glowing indefinitely. The charger will keep the battery pack fresh and fully charged.

Charger diagnostics

If the charger detects a weak or damaged battery, the charging indicator (10) will flash red at a fast rate. Proceed as follows:

- ◆ Re-insert the battery (7).
- ◆ If the charging indicators continues flashing red at a fast rate, use a different battery to determine if the charging process works properly.
- ◆ If the replaced battery charges correctly, the original battery is defective and should be returned to a service centre for recycling.
- ◆ If the new battery gives the same indication as the original battery, take the charger to be tested at an authorised services centre.

Note: It may take as long as 30 minutes to determine that the battery is defective. If the battery is too hot or too cold, the LED will alternately blink red, fast and slow, one flash at each speed and repeat.

Switching on and off

- ◆ To switch on, slide the lock off switch (1) forward then press and hold the trigger switch (2).
- ◆ To switch off, release the trigger switch (2).

Warning! Do not switch the tool on or off while under load.

Warning! Always slide the lock off switch (1) backwards to the locked position when the tool is not in use.

Hints for optimum use

- ◆ Firmly hold the tool with one hand around the side handle and the other hand around the main handle.

Surface grinding with grinding wheels

- ◆ Allow the tool to reach full speed before touching the tool to the work surface.
- ◆ Apply minimum pressure to the work surface, allowing the tool to operate at high speed. Grinding rate is greatest when the tool operates at high speed.
- ◆ Maintain a 20° to 30° angle between the tool and work surface.
- ◆ Continuously move the tool in a forward and back motion to avoid creating gouges in the work surface.
- ◆ Remove the tool from work surface before turning tool off. Allow the tool to stop rotating before laying it down.

Edge grinding with grinding wheels

Wheels used for cutting and edge grinding may break or kick back if they bend or twist while the tool is being used

to do cut-off work or deep grinding. To reduce the risk of serious injury, limit the use of these wheels with a standard Type 27 guard to shallow cutting and notching (less than 1/2 inch (13mm) in depth). The open side of the guard must be positioned away from the operator. For deeper cutting with a Type 1 cut-off wheel, use a closed Type 1 guard. See the Grinding and cutting chart which can be found at the back of language section.

- ◆ Allow the tool to reach full speed before touching the tool to the work surface.
- ◆ Apply minimum pressure to the work surface, allowing the tool to operate at high speed. Grinding rate is greatest when the tool operates at high speed.
- ◆ Position yourself so that the open-underside of the wheel is facing away from you.
- ◆ Once a cut is begun and a notch is established in the workpiece, do not change the angle of the cut. Changing the angle will cause the wheel to bend and may cause wheel breakage. Edge grinding wheels are not designed to withstand side pressures caused by bending.
- ◆ Remove the tool from the work surface before turning the tool off. Allow the tool to stop rotating before laying it down.

Do not use edge grinding/cutting wheels for surface grinding applications because these wheels are not designed for side pressures encountered with surface grinding. Wheel breakage and injury may result.

Surface finishing with sanding flap discs

- ◆ Allow the tool to reach full speed before touching the tool to the work surface.
- ◆ Apply minimum pressure to work surface, allowing the tool to operate at high speed. Sanding rate is greatest when the tool operates at high speed.
- ◆ Maintain a 5° to 10° angle between the tool and work surface.
- ◆ Continuously move the tool in a forward and back motion to avoid creating gouges in the work surface.
- ◆ Remove the tool from work surface before turning tool off. Allow the tool to stop rotating before laying it down.

Using sanding backing pads

Choose the proper grit sanding discs for your application.

Sanding discs are available in various grits. Coarse grits yield faster material removal rates and a rougher finish.

Finer grits yield slower material removal and a smoother finish.

Begin with coarse grit discs for fast, rough material removal.

Move to a medium grit paper and finish with a fine grit disc for optimal finish.

- ◆ Coarse 16 - 30 grit
- ◆ Medium 36 - 80 grit
- ◆ Fine Finishing 100 - 120 grit

- ◆ Very Fine Finishing 150 - 180 grit
- ◆ Allow the tool to reach full speed before touching tool to the work surface.
- ◆ Apply minimum pressure to work surface, allowing the tool to operate at high speed. Sanding rate is greatest when the tool operates at high speed.
- ◆ Maintain a 5° to 15° angle between the tool and work surface. The sanding disc should contact approximately one inch (25mm) of work surface.
- ◆ Move the tool constantly in a straight line to prevent burning and swirling of work surface. Allowing the tool to rest on the work surface without moving, or moving the tool in a circular motion causes burning and swirling marks on the work surface.
- ◆ Remove the tool from work surface before turning tool off. Allow the tool to stop rotating before laying it down.

Using wire cup brushes and wire wheels

Wire wheels and brushes can be used for removing rust, scale and paint, and for smoothing irregular surfaces.

Note: The same precautions should be taken when wire brushing paint as when sanding paint.

- ◆ Allow the tool to reach full speed before touching the tool to the work surface.
- ◆ Apply minimum pressure to work surface, allowing the tool to operate at high speed. Material removal rate is greatest when the tool operates at high speed.
- ◆ Maintain a 5° to 10° angle between the tool and work surface for wire cup brushes.
- ◆ Maintain contact between the edge of the wheel and the work surface with wire wheels.
- ◆ Continuously move the tool in a forward and back motion to avoid creating gouges in the work surface. Allowing the tool to rest on the work surface without moving, or moving the tool in a circular motion causes burning and swirling marks on the work surface.
- ◆ Remove the tool from the work surface before turning the tool off. Allow the tool to stop rotating before setting it down.

Use extra care when working over an edge, as a sudden sharp movement of grinder may be experienced.

Precautions to take when sanding or wire brushing paint

- ◆ Sanding of lead based paint is NOT RECOMMENDED due to the difficulty of controlling the contaminated dust. The greatest danger of lead poisoning is to children and pregnant women.
- ◆ Since it is difficult to identify whether or not a paint contains lead without a chemical analysis, we recommend the following precautions when sanding any paint:

Personal safety

- ◆ No children or pregnant women should enter the work area where the paint sanding is being done until all clean up is completed.
- ◆ A dust mask or respirator should be worn by all persons entering the work area. The filter should be replaced daily or whenever the wearer has difficulty breathing.

Note: Only those dust masks suitable for working with lead paint dust and fumes should be used. Ordinary painting masks do not offer this protection. See your local hardware dealer for the proper respiratory protection.

- ◆ NO EATING, DRINKING or SMOKING should be done in the work area to prevent ingesting contaminated paint particles. Workers should wash and clean up BEFORE eating, drinking or smoking. Articles of food, drink, or smoking should not be left in the work area where dust would settle on them.

Environmental safety

- ◆ Paint should be removed in such a manner as to minimize the amount of dust generated.
- ◆ Areas where paint removal is occurring should be sealed with plastic sheeting of 4 mils thickness.
- ◆ Sanding should be done in a manner to reduce tracking of paint dust outside the work area.

Cleaning and disposal

- ◆ All surfaces in the work area should be vacuumed and thoroughly cleaned daily for the duration of the sanding project. Vacuum filter bags should be changed frequently.
- ◆ Plastic drop cloths should be gathered up and disposed of along with any dust chips or other removal debris. They should be placed in sealed refuse receptacles and disposed of through regular trash pick-up procedures. During clean up, children and pregnant women should be kept away from the immediate work area.
- ◆ All toys, washable furniture and utensils used by children should be washed thoroughly before being used again.

Using cutting wheels

Do not use edge grinding/cutting wheels for surface grinding applications because these wheels are not designed for side pressures encountered with surface grinding.

Wheel breakage and injury may result.

- ◆ Allow tool to reach full speed before touching tool to work surface.
- ◆ Apply minimum pressure to work surface, allowing tool to operate at high speed. Cutting rate is greatest when the tool operates at high speed.
- ◆ Once a cut is begun and a notch is established in the workpiece, do not change the angle of the cut. Changing the angle will cause the wheel to bend and may cause wheel breakage.

- ◆ Remove the tool from work surface before turning tool off. Allow the tool to stop rotating before setting it down.

Maintenance

Your Stanley Fat Max tool has been designed to operate over a long period of time with a minimum of maintenance. Continuous satisfactory operation depends upon proper tool care and regular cleaning.

Your charger does not require any maintenance apart from regular cleaning.

Warning! Before performing any maintenance on corded/cordless power tools:

- ◆ Switch off and unplug the appliance/tool.
- ◆ Or switch off and remove the battery from the appliance/tool if the appliance/tool has a separate battery pack.
- ◆ Or run the battery down completely if it is integral and then switch off.
- ◆ Unplug the charger before cleaning it. Your charger does not require any maintenance apart from regular cleaning.
- ◆ Regularly clean the ventilation slots in your appliance/tool/charger using a soft brush or dry cloth.
- ◆ Regularly clean the motor housing using a damp cloth. Do not use any abrasive or solvent-based cleaner.
- ◆ Regularly open the chuck and tap it to remove any dust from the interior (when fitted).

Protecting the environment



Separate collection. Products and batteries marked with this symbol must not be disposed of with normal household waste.

Products and batteries contain materials that can be recovered or recycled reducing the demand for raw materials. Please recycle electrical products and batteries according to local provisions. Further information is available at www.2helpU.com.

Technical data

FMC761 (H1)		
Voltage	V_{DC}	18
No-load speed	Min^{-1}	9,000
Disc diameter	mm	125
Disc bore	mm	22
Max disc thickness		
grinding disc	mm	6
cutting disc	mm	3.5
Spindle diameter		M14
Spindle length (with the inner flange fitted)	mm	14
Spindle length (without the inner flange fitted)	mm	19.5
Weight	kg	2.9

Charger	905998**	906086**	
Input voltage	V_{AC}	230	230
Output voltage	V_{DC}	18	18
Current	A	1	2
Approx. charge time	min	90-240	45-120

Battery	FMC685L	FMC687L	FMC688L	
Voltage	V_{AC}	18	18	18
Capacity	Ah	1.5	2.0	4.0
Type		Li-Ion	Li-Ion	Li-Ion

Level of sound pressure according to EN 60745:

Sound pressure (L_{pA}) 80.5 dB(A), uncertainty (K) 3 dB(A)
 Sound power (L_{WA}) 91.5 dB(A), uncertainty (K) 3 dB(A)

Vibration total values (triax vector sum) according to EN 60745:

Surface grinding ($a_{h,SG}$) 3.9 m/s^2 , uncertainty (K) 1.5 m/s^2
 Polishing ($a_{h,p}$) 2.0 m/s^2 , uncertainty (K) 1.5 m/s^2
 Disc sanding ($a_{h,DS}$) 4.5 m/s^2 , uncertainty (K) 1.5 m/s^2

Caution! Applications such as cutting-off or wire brushing may have different vibration emissions.

EC declaration of conformity

MACHINERY DIRECTIVE



FMC761 - Cordless angle grinder

Stanley Fat Max declares that these products described under "technical data" are in compliance with:
 EN60745-1:2009+A11:2010, EN60745-2-3:2011+A12:2014

These products also comply with Directive
 2006/42/EC, 2014/30/EU and 2011/65/EU.

For more information, please contact Stanley Fat Max at the following address or refer to the back of the manual.

The undersigned is responsible for compilation of the technical file and makes this declaration on behalf of

Stanley Fat Max.

R. Laverick
 Engineering Director
 Stanley Fat Max Europe, Egide Walschaertsstraat14-18,
 2800 Mechelen, Belgium
 06/02/2020

Guarantee

Stanley Fat Max is confident of the quality of its products and offers consumers a 12 month guarantee from the date of purchase. This guarantee is in addition to and in no way prejudices your statutory rights. The guarantee is valid within the territories of the Member States of the European Union and the European Free Trade Area.

To claim on the guarantee, the claim must be in accordance with Stanley Fat Max Terms and Conditions and you will need to submit proof of purchase to the seller or an authorised repair agent. Terms and conditions of the Stanley Fat Max 1 year guarantee and the location of your nearest authorised repair agent can be obtained on the Internet at www.2helpU.com, or by contacting your local Stanley Fat Max office at the address indicated in this manual.

Please visit our website www.stanley.eu/3 to register your new Stanley Fat Max product and receive updates on new products and special offers

Назначение

Ваша угловая шлифовальная машина Stanley Fat Max FMC721 предназначена для отрезных и шлифовальных работ по металлу и кирпичной кладке соответствующими дисками для резки и шлифовки при установке надлежащего кожуха. Данный инструмент предназначен для профессионального использования, а также для бытового использования частными пользователями.

Правила техники безопасности

Общие правила безопасности при работе с электроинструментом



Внимание! Полностью прочтите инструкции по технике безопасности и все руководства по эксплуатации. Несоблюдение представленных ниже предупреждений и инструкций может привести к поражению электрическим током, возгоранию и/или тяжелым травмам.

Сохраните все инструкции для последующего обращения к ним. Термин «электроинструмент» во всех приведенных ниже предупреждениях относится к питаемому от электросети (проводному) или от аккумуляторных батарей (беспроводному) электроинструменту.

1. Безопасность на рабочем месте

- a. **Содержите рабочее место в чистоте и обеспечьте его хорошую освещенность.** Плохое освещение или беспорядок на рабочем месте может привести к несчастному случаю.
- b. **Не используйте электроинструмент во взрывоопасной атмосфере, например, при наличии горючих жидкостей, газов или пыли.** Искры, которые появляются при работе электроинструмента, могут привести к воспламенению пыли или паров.
- c. **Не разрешайте детям и посторонним лицам находиться рядом с вами при работе с электроинструментом.** Отвлекаясь от работы, вы можете потерять контроль над инструментом.

2. Электробезопасность

- a. **Сетевые вилки электроинструмента должны соответствовать розеткам. Никогда не меняйте вилку инструмента. Запрещается использовать переходники к вилкам для электроинструментов с заземлением.** Использование оригинальных штепсельных вилок, соответствующих типу сетевой розетки, снижает риск поражения электрическим током.

- b. **Следует избегать контакта с заземленными поверхностями, такими как трубы, радиаторы, батареи и холодильники.** Если вы будете заземлены, увеличивается риск поражения электрическим током.
 - c. **Не допускайте нахождения электроинструментов под дождем или в условиях повышенной влажности.** Попадание воды в электроинструмент может привести к поражению электрическим током.
 - d. **Бережно обращайтесь с кабелем питания. Никогда не используйте кабель для переноски инструмента, не тяните за него, пытайтесь отключить инструмент от сети. Держите кабель подальше от источников тепла, масла, острых углов или движущихся предметов.** Поврежденный или запутанный кабель питания повышает риск поражения электротоком.
 - e. **При работе с электроинструментом вне помещения необходимо пользоваться удлинительным кабелем, рассчитанным на эксплуатацию вне помещения.** Использование кабеля, предназначенного для применения на открытом воздухе, снижает риск поражения электрическим током.
 - f. **При необходимости эксплуатации электроинструмента в местах с повышенной влажностью используйте устройство защиты от токов замыкания на землю (УЗО).** Использование УЗО сокращает риск поражения электрическим током.
3. **Обеспечение индивидуальной безопасности**
 - a. **При работе с электроинструментом сохраняйте бдительность, следите за своими действиями и руководствуйтесь здравым смыслом. Запрещается работать с электроинструментом в состоянии усталости, наркотического, алкогольного опьянения или под воздействием лекарственных препаратов.** Минутная невнимательность при работе с электроинструментом может привести к серьезным травмам.
 - b. **Используйте средства индивидуальной защиты. Всегда используйте защитные очки.** Средства защиты, такие как пылезащитная маска, обувь на нескользящей подошве, каска и защитные наушники, используемые при работе, уменьшают риск получения травм.
 - c. **Примите меры для предотвращения случайного включения. Перед тем как подключить электроинструмент к сети и/или аккумуляторной батарее, возьмите инструмент или перенести его на другое место, убедитесь в том, что выключатель находится в положении «Выкл.».** Если при переноске электроинструмента он подключен к сети, и

при этом ваш палец находится на выключателе, это может стать причиной несчастных случаев.

- d. **Уберите все регулировочные или гаечные ключи перед включением электроинструмента.** Ключ, оставленный на вращающейся части электроинструмента, может привести к травме.
 - e. **Не пытайтесь дотянуться до слишком удаленных поверхностей. Всегда твердо стойте на ногах, сохраняя равновесие.** Это позволит лучше контролировать электроинструмент в непредвиденных ситуациях.
 - f. **Надевайте подходящую одежду. Избегайте носить свободную одежду и ювелирные украшения.** Следите за тем, чтобы волосы, одежда и перчатки не попадали под движущиеся детали. Возможно наматывание свободной одежды, ювелирных изделий и длинных волос на движущиеся детали.
 - g. **При наличии устройств для подключения оборудования для удаления и сбора пыли необходимо обеспечить правильность их подключения и эксплуатации.** Использование устройства для пылеудаления сокращает риски, связанные с пылью.
4. **Эксплуатация электроинструмента и уход за ним**
- a. **Избегайте чрезмерной нагрузки электроинструмента. Используйте электроинструмент в соответствии с назначением.** Правильно подобранный электроинструмент выполнит работу более эффективно и безопасно при стандартной нагрузке.
 - b. **Не используйте электроинструмент, если не работает его выключатель.** Любой электроинструмент, управлять выключением и включением которого невозможно, опасен, и его необходимо отремонтировать.
 - c. **Перед выполнением любой регулировки, заменой дополнительных приспособлений или хранением электроинструмента отключите инструмент от сети или извлеките батарею из инструмента.** Такие превентивные меры безопасности сокращают риск случайного включения электроинструмента.
 - d. **Храните электроинструмент в недоступном для детей месте и не позволяйте работать с инструментом людям, не имеющим соответствующих навыков работы с такого рода инструментами.** Электроинструмент представляет опасность в руках неопытных пользователей.
 - e. **Проводите обслуживание электроинструментов.** Проверьте движущиеся детали на точность совмещения или заклинивание, поломку либо какие-либо другие условия, которые могут повлиять на эксплуатацию электроинструмента. В

случае обнаружения повреждений, прежде чем приступить к эксплуатации электроинструмента, его нужно отремонтировать. Большинство несчастных случаев происходит из-за электроинструментов, которые не обслуживаются должным образом.

- f. **Необходимо содержать режущий инструмент в остро заточенном и чистом состоянии.** Вероятность заклинивания инструмента, за которым следят должным образом и который хорошо заточен, значительно меньше, а работать с ним легче.
 - g. **Используйте данный электроинструмент, а также дополнительные приспособления и насадки в соответствии с данными инструкциями и с учетом условий и специфики работы.** Использование электроинструмента для работ, для которых он не предназначен, может привести к несчастным случаям.
5. **Использование аккумуляторных электроинструментов и уход за ними**
- a. **Используйте для зарядки аккумуляторной батареи только указанное производителем зарядное устройство.** Использование зарядного устройства определенного типа для зарядки других батарей может привести к возгоранию.
 - b. **Используйте для электроинструмента только батареи указанного типа.** Использование других аккумуляторных батарей может стать причиной травмы и пожара.
 - c. **Избегайте попадания внутрь батареи скрепок, монет, ключей, гвоздей, болтов или других мелких металлических предметов, которые могут вызывать замыкание ее контактов.** Короткое замыкание контактов аккумуляторной батареи может привести к пожару или получению ожогов.
 - d. **При повреждении батареи, из нее может вытечь электролит; избегайте контакта с ним. При случайном контакте с электролитом смойте его водой. При попадании электролита в глаза обратитесь за медицинской помощью.** Жидкость, находящаяся внутри батареи, может вызвать раздражение или ожоги.
6. **Сервисное обслуживание**
- a. **Обслуживание электроинструмента должно выполняться только квалифицированным техническим персоналом.** Это позволит обеспечить безопасность обслуживаемого электроинструмента.

Дополнительные правила безопасности при работе с электроинструментом



Внимание! Дополнительные меры предосторожности для шлифования, зачистки, очистки проволочной щеткой, полировки или абразивной резки.

- ◆ Данный электроинструмент предназначен для шлифования, зачистки, очистки проволочной щеткой, полировки и абразивной резки. Прочитайте и просмотрите все предупреждения, инструкции, иллюстрации и спецификации по данному электроинструменту. Несоблюдение всех приведенных ниже инструкций может стать причиной поражения электрическим током, возгорания и/или тяжелой травмы.
- ◆ Выполнение операций, не предусмотренных для данного инструмента, представляет опасность и может привести к травме.
- ◆ Не используйте дополнительные принадлежности, которые не рекомендованы производителем инструмента и не предназначены для него специально. Возможность установки принадлежности на электроинструмент не обеспечивает безопасности при ее использовании.
- ◆ Номинальная скорость принадлежности должна, как минимум, равняться максимальной скорости, указанной на электроинструменте. Принадлежность, которая вращается со скоростью, превышающей ее номинальную скорость вращения, может разрушиться и отлететь в сторону.
- ◆ Внешний диаметр и толщина принадлежности должны соответствовать диапазону мощности электроинструмента. Принадлежности неправильного подобранного размера не закрываются защитным кожухом и не обеспечивают надлежащего контроля управления.
- ◆ Винтовая резьба принадлежностей должна соответствовать резьбе оси шлифовальной машины. Для принадлежности, установленной на фланцы, отверстие для инструментальной оправки должно соответствовать установочному диаметру фланца. Принадлежности, которые не подходят монтажной арматуре электроинструмента, работают несбалансированно, слишком вибрируют и могут привести к потере управления.
- ◆ Не используйте поврежденные принадлежности. Перед каждым использованием проверяйте принадлежности, как то: абразивные круги — на наличие сколов и трещин, диск-подшву — на наличие надрывов, трещин или чрезмерного износа, проволочные щетки — на наличие ослабленной или сломанной проволоки. В случае падения электроинструмента или принадлежности проверьте наличие повреждений или установите неповрежденную принадлежность. После проверки и установки принадлежности оператор и посторонние лица не должны находиться на одной плоскости с вращающейся принадлежностью. Запустите электроинструмент на максимальной скорости без нагрузки и дайте ему поработать одну минуту. Поврежденные принадлежности, как правило, ломаются в течение этого тестового периода.
- ◆ Используйте средства индивидуальной защиты. В зависимости от типа выполняемых работ надевайте щиток для защиты лица или защитные очки. В соответствии с необходимостью надевайте респиратор, защитные наушники, перчатки и рабочий фартук, способный защитить от мелких абразивных частиц и фрагментов обрабатываемой детали. Средства защиты для глаз должны останавливать частицы, вылетающие при выполнении различных видов работ. Пылезащитная маска или респиратор должны обеспечивать фильтрацию твердых частиц, образующихся при выполнении работ. Длительное воздействие шума высокой мощности может привести к нарушениям слуха.
- ◆ Не подпускайте посторонних лиц близко к рабочей зоне. Любое лицо, входящее в рабочую зону, должно использовать средства индивидуальной защиты. Фрагменты обрабатываемой детали или разрушенной принадлежности могут отлететь в сторону и стать причиной травмы даже за пределами рабочей зоны.
- ◆ Удерживайте электроинструмент во время выполнения работ только за изолированные поверхности захватывания в тех случаях, когда режущая принадлежность может задеть скрытую электропроводку или собственный кабель питания. При удерживании металлических деталей инструмента, в случае перерезания находящегося под напряжением провода, возможно поражение оператора электрическим током.
- ◆ Располагайте кабель питания на удалении от вращающейся принадлежности. В случае потери контроля над инструментом кабель питания может быть разрезан или ободран, а ваша рука может быть затянута вращающейся принадлежностью.
- ◆ Никогда не кладите электроинструмент до тех пор, пока он полностью не остановится. Вращающаяся принадлежность может задеть за поверхность, из-за чего электроинструмент может вырваться из рук.
- ◆ Не включайте электроинструмент, если принадлежность направлена на вас. Случайный контакт с вращающейся принадлежностью может привести к наматыванию одежды и контакту принадлежности с

вашим телом.

- ◆ Регулярно очищайте вентиляционные прорези электроинструмента. Вентилятор электродвигателя затягивает пыль внутрь корпуса, а скопление большого количества пыли на металлических частях электродвигателя повышает риск поражения электротоком.
- ◆ Не используйте электроинструмент рядом с горючими материалами. Искры могут привести к их воспламенению.
- ◆ Не используйте принадлежности, требующие жидкостного охлаждения. Использование воды или других жидких охлаждающих средств может привести к поражению электрическим током вплоть до смертельного исхода.

Примечание: Предупреждение выше не относится к электроинструментам, специально предназначенным для использования с водяной системой.

Отдача и предупреждения, имеющие отношения к ней

Обратный удар представляет собой внезапную реакцию в результате заклинивания или деформации вращающегося круга, диска-подшвы, щетки или любых других насадок. Заклинивание или деформация вызывают мгновенную остановку вращающейся принадлежности, что, в свою очередь, приводит к потере управления инструментом и его резкого смещения в сторону, противоположную направлению вращения насадки в точке заклинивания.

Например, в случае заклинивания или деформации абразивного круга в обрабатываемой детали, заклинивающий край круга может врезаться в поверхность материала, что приводит к поднятию или выталкиванию круга. Круг может отскочить в сторону оператора или в другом направлении, в зависимости от направления вращения круга в точке заклинивания. Это может также привести к поломке абразивных кругов.

Отдача является результатом неправильного использования инструмента и/или использованием неправильных методов или режимов работы; избежать этого явления можно путем выполнения указанных далее мер предосторожности.

- ◆ Прочно удерживайте электроинструмент обеими руками и располагайтесь таким образом, чтобы иметь возможность погасить энергию отдачи. Для эффективного управления инструментом в случае возникновения отдачи или реактивного крутящего момента во время запуска всегда пользуйтесь вспомогательной рукояткой, если таковая имеется. Оператор может контролировать энергию крутящего момента или отдачи при соблюдении надлежащих мер предосторожности.

- ◆ Никогда не держите руки поблизости от вращающейся принадлежности. Принадлежность может отскочить в направлении вашей руки.
- ◆ Не стойте с той стороны, куда будет сдвигаться инструмент в случае возникновения обратного удара. В результате отдачи, инструмент отскакивает в направлении, противоположном вращению круга в точке заклинивания.
- ◆ Соблюдайте особую осторожность при обработке углов, острых кромок и т. д. Избегайте дрожания и заклинивания принадлежности. Углы, острые кромки или дрожание могут вызвать заклинивание принадлежности в заготовке и привести к потере управления в случае возникновения обратного удара.
- ◆ Не устанавливайте диски для пильных цепей или зубчатые режущие диски. Такие круги часто вызывают отдачу и потерю управления инструментом.

Специальные меры безопасности при выполнении операций по шлифованию и резке с использованием абразивных кругов:

- ◆ Используйте только такие типы кругов, которые рекомендованы для данного электроинструмента, а также специальные кожухи, предназначенные для конкретных кругов. Круги, не предназначенные для работы с электроинструментом, не могут быть закрыты кожухами надлежащим образом и представляют собой опасность.
- ◆ Шлифовальная поверхность кругов с утопленным центром должна быть ниже поверхности края кожуха. Невозможно обеспечить надежную защиту при использовании кругов, выступающих за края защитного кожуха.
- ◆ Кожух должен быть надежно закреплен на электроинструменте и находиться в положении, обеспечивающем максимальную защиту, чтобы минимально возможная часть круга находилась в одной плоскости с оператором. Кожух помогает защитить оператора от отколовшихся фрагментов круга и случайного контакта с кругом, а также искр, от которых может загореться одежда.
- ◆ Используйте круги для выполнения только рекомендованных типов работ. Например: не выполняйте шлифование при помощи отрезного круга. Абразивные отрезные круги предназначены для работы периферией круга; боковая нагрузка, прилагаемая к таким кругам, может привести к их разрушению.
- ◆ Всегда используйте исправные фланцы для кругов, размер и форма которых соответствуют конкретному кругу. Соответствующие фланцы надежно фиксируют круг, что снижает вероятность его поломки. Фланцы для отрезных кругов могут отличаться от фланцев для шлифовальных кругов.

- ◆ **Не используйте сильно изношенные круги от электроинструментов больших размеров.** Круг, предназначенный для электроинструмента больших размеров, не подходит для более высокой скорости, на которой работает инструмент меньшего размера, и поэтому может разрушиться.

Дополнительные меры предосторожности при абразивной резке

- ◆ **Избегайте застревания отрезного круга в заготовке и не прилагайте чрезмерных усилий. Не пытайтесь выполнять разрез слишком большой глубины.**
Слишком сильное нажатие на круг увеличивает нагрузку и возможность его деформации или заклинивания в заготовке, а также возможность возникновения отдачи или поломки круга.
- ◆ **Не стойте на одной линии с вращающимся кругом и позади него.** Если диск вращается в противоположном от вас направлении, то в случае отдачи, вращающийся диск и инструмент будут направлены непосредственно на вас.
- ◆ **В случае заклинивания диска или прекращения резки по какой-либо причине выключите электроинструмент и удерживайте его в неподвижном состоянии до полной остановки. Никогда не пытайтесь извлечь отрезной круг из разреза, когда он находится в движении. В противном случае, это может привести к возникновению отдачи.** Выясните причину и примите надлежащие меры по устранению причины заклинивания круга.
- ◆ **Не возобновляйте работу, когда круг находится внутри заготовки. Дождитесь, пока круг наберет полные обороты, и осторожно поместите его в начатый разрез.** В случае заклинивания, круг может подскочить вверх из детали или привести к отдаче при повторном запуске.
- ◆ **Для снижения риска заклинивания круга и отдачи обеспечьте надлежащую опору для длинных панелей или прочих заготовок большого размера.** Заготовки большого размера могут висеть под собственным весом. Опоры необходимо поместить под панель возле линии распила и возле края панели по обеим сторонам круга.
- ◆ **Соблюдайте повышенную осторожность при выполнении врезного пиления стен или в других слепых зонах.** Можно случайно перерезать газовые или водопроводные трубы, электрическую проводку, а также предметы, которые могут вызвать отдачу.

Меры безопасности при выполнении зачистки

- ◆ **Не используйте шлифовальную бумагу слишком большого размера.** Соблюдайте рекомендации производителей, выбирая шлифовальную бумагу.

Шлифовальная бумага, свисающая с диска, представляет угрозу разрыва и может привести к задиранию, износу диска или возникновению отдачи.

Меры безопасности при полировании

- ◆ **Не допускайте потери части шлифовальной юбки или свисания и закручивания бечевки. Уберите или отрежьте все выступающие концы завязок.** Свободно свисающие и закручивающиеся бечевки насадок могут зацепиться за пальцы или обрабатываемые детали.

Меры предосторожности при выполнении очистки проволочной щеткой

- ◆ **Имейте в виду, что проволочный ворс отлетает от щетки даже при нормальной эксплуатации. Не прижимайте щетку слишком сильно к обрабатываемой поверхности.** Проволочный ворс может без труда пробить одежду и/или кожу.
- ◆ **Если для работы проволочной щеткой рекомендуется использовать защитный кожух не допускайте прикосновения проволочной щетки или диска к коже.** Диск проволочная щетка может увеличиваться в диаметре в результате воздействия центробежных сил.



Внимание! Контакт с пылью или вдыхание пыли, которая может образоваться при шлифовании, представляет опасность здоровью оператора и тех, кто находится поблизости. Надевайте пылезащитную маску, которая специально предназначена для защиты от пыли и испарений, и обеспечивает защиту для людей, выполняющих данные работы или находящихся в зоне проведения работ.

Безопасность окружающих

- ◆ Данный инструмент могут использовать дети в возрасте от 8 лет и старше, а также лица с ограниченными физическими, сенсорными или умственными способностями или лица с недостаточным опытом и знаниями, если они находятся под наблюдением или действуют согласно указаниям в отношении безопасного использования устройства и понимают связанные с ним риски.
- ◆ Не позволяйте детям играть с инструментом. Чистку и обслуживание не должны выполнять дети, если они не находятся под присмотром.

Остаточные риски

При работе с данным инструментом возможно возникновение дополнительных остаточных рисков, которые не вошли в описанные здесь правила техники безопасности.

Эти риски могут возникнуть при неправильном или продолжительном использовании изделия и т. п. Несмотря на соблюдение соответствующих инструкций по технике безопасности и использование предохранительных устройств, некоторые остаточные риски невозможно полностью исключить. К ним относятся:

- ◆ Травмы в результате касания вращающихся/движущихся частей.
- ◆ Травмы, которые могут произойти в результате смены деталей, лезвий или дополнительных принадлежностей.
- ◆ Травмы, связанные с продолжительным использованием инструмента. При использовании любого инструмента в течение продолжительного периода времени, не забывайте делать перерывы.
- ◆ Ухудшение слуха.
- ◆ Ущерб здоровью в результате вдыхания пыли в процессе работы с инструментом (например, при обработке древесины, в особенности, дуба, бука и МДФ)

Вибрация

Заявленные значения вибрации указанные в технических спецификациях и заявлении о соответствии были измерены в соответствии с стандартным методом тестирования EN 60745 и могут быть использованы для сравнения инструментов. Заявленное значение эмиссии вибрации также может использоваться при предварительной оценке воздействия вибрации.

Внимание! Значение эмиссии вибрации в каждом конкретном случае применения электроинструмента может отличаться от заявленного в зависимости от того, каким образом используется инструмент. Уровень вибрации может быть выше заявленного.

При оценке уровня вибрации для определения степени безопасности, предусмотренного 2002/44/ЕС для защиты людей, регулярно пользующихся электроинструментом при работе, нужно принимать во внимание уровень вибрации, реальные условия использования и способ использования инструмента, а также учитывать все этапы цикла работы - когда инструмент выключается, когда он работает на холостом ходу, а также время переключения с одного режима на другой.

Условные обозначения на инструменте

Помимо кода даты на инструменте имеются следующие знаки:



Внимание! Во избежание риска получения травм, прочтите руководство по эксплуатации.



При работе с инструментом надевайте защитные очки или маску.



Работая с инструментом надевайте наушники.

Дополнительные меры безопасности при работе с аккумуляторными батареями и зарядными устройствами

Аккумуляторные батареи

- ◆ Никогда не пытайтесь разобрать аккумуляторные батареи.
- ◆ Не подвергайте аккумуляторные батареи воздействию воды.
- ◆ Не оставляйте в местах, где температура превышает 40 °С.
- ◆ Заряжайте только при температуре 10 °С - 40 °С.
- ◆ Заряжайте аккумуляторные батареи только с зарядным устройством, которое прилагается к инструменту.
- ◆ При утилизации батарей следуйте инструкциям, указанным в разделе «Защита окружающей среды».



Не пытайтесь заряжать поврежденные аккумуляторные батареи.

Зарядные устройства

- ◆ Используйте свое зарядное устройство Stanley Fat Max только для зарядки аккумуляторной батареи инструмента, с которым оно поставлялось. Использование аккумуляторных батарей другого типа может привести к взрыву, травмам и повреждениям.
- ◆ Не пытайтесь заряжать одноразовые батареи.
- ◆ Немедленно заменяйте поврежденный кабель питания.
- ◆ Не подвергайте зарядное устройство воздействию воды.
- ◆ Не вскрывайте зарядное устройство.
- ◆ Не разбирайте зарядное устройство.



Зарядное устройство можно использовать только в помещении.



Перед началом работы прочтите руководство по эксплуатации.

Электробезопасность



Ваше зарядное устройство имеет двойную изоляцию, поэтому не требует заземления. Необходимо обязательно убедиться в том, что напряжение источника питания соответствует указанному на паспортной табличке устройства. Никогда не пытайтесь заменить зарядное устройство на обычную сетевую вилку.

- ◆ Если поврежден сетевой кабель, его нужно заменить у производителя или в авторизованном сервисном центре Stanley Fat Max, чтобы избежать проблем.

Составные элементы (Комплектация)

Ваш инструмент может содержать все или некоторые из перечисленных ниже составных частей.

1. Кнопка блокировки
2. Курковый пусковой выключатель
3. Боковая рукоятка
4. Кнопка блокировки шпинделя
5. Защитный кожух
6. Шлифовальный круг (может не входить в комплект поставки)
7. Аккумулятор (может не входить в комплект поставки)
8. Ключ с двумя штифтами

Рис. А

9. Зарядное устройство (может не входить в комплект поставки)
10. Индикатор заряда

Использование

Внимание! Инструмент должен работать в обычном режиме. Избегайте перегрузок.

- ◆ Будьте готовы к потоку искр когда шлифовальный или отрезной диск касается заготовки.
- ◆ Всегда размещайте инструмент таким образом, чтобы защитный кожух обеспечивал оптимальную защиту при работе шлифовальным или отрезным диском.

Зарядка аккумуляторной батареи (Рис. А)

Аккумуляторную батарею нужно заряжать перед первым использованием и каждый раз, когда заряда недостаточно для выполняемых работ. Во время зарядки аккумуляторная батарея нагревается, это нормально и не означает неисправность.

Внимание! Не заряжайте батарею при температуре окружающей среды ниже 10 °C или выше 40 °C. Рекомендуемая температура при зарядке: приблизительно 24 °C.
Примечание: Зарядное устройство не будет заряжать

аккумуляторную батарею, если температура элемента аккумуляторной батареи ниже 10 °C или выше 40 °C.

Аккумуляторную батарею нужно оставить в зарядном устройстве; зарядка начнется автоматически, когда температура элемента аккумуляторной батареи выровняется до нормальных значений.

- ◆ Чтобы зарядить аккумуляторную батарею, вставьте батарею (7) в зарядное устройство (9). Аккумуляторная батарея устанавливается в зарядное устройство только одним способом. Не прилагайте чрезмерные усилия. Проследите, чтобы батарея полностью вошла в зарядное устройство.
- ◆ Подключите зарядное устройство к сети и включите его.

Начнет мигать индикатор зарядки (10).

Зарядка завершена если индикатор зарядки (10) будет непрерывно гореть. Зарядное устройство и аккумуляторную батарею можно оставить подключенными на неопределенное время. Светодиод будет включаться по мере периодической полной зарядки зарядным устройством.

- ◆ Заряжайте разряженные батареи 1 раз в неделю. Срок службы аккумуляторной батареи значительно уменьшается, если ее хранить в разряженном состоянии.

Хранение аккумуляторной батареи в зарядном устройстве

Зарядное устройство и аккумуляторную батарею можно оставить подключенными к сети с горящим светодиодным индикатором. Зарядное устройство будет поддерживать полную зарядку аккумуляторной батареи.

Диагностика зарядного устройства

При обнаружении слабости или повреждения аккумуляторной батареи, индикатор зарядки (10) начнет мигать красным светом в ускоренном режиме. Выполните следующие действия:

- ◆ Извлеките и повторно вставьте батарею (7).
- ◆ Если индикатор продолжает часто мигать красным светом, вставьте другую аккумуляторную батарею, чтобы убедиться, что процесс зарядки проходит в правильном режиме.
- ◆ Если сменная аккумуляторная батарея заряжается правильно, это означает, что первоначальная аккумуляторная батарея повреждена и должна быть сдана в сервисный центр на утилизацию.
- ◆ Если при установке сменной батареи наблюдается то же частое мигание, что и при установке первоначальной батареи,несите зарядное устройство в сервисный центр для тестирования.

Примечание: На определение неисправности аккумуляторной батареи может понадобиться приблизи-

тельно 30 минут. Если аккумуляторная батарея очень горячая или очень холодная, красный светодиод будет попеременно мигать быстро и медленно.

Включение и выключение

- ◆ Чтобы включить инструмент, переместите кнопку блокировки (1) вперед, затем нажмите и удерживайте курковый пусковой выключатель (2).
- ◆ Чтобы выключить инструмент, отпустите курковый пусковой выключатель (2).

Внимание! Не включайте и не выключайте инструмент под нагрузкой.

Внимание! Всегда перемещайте кнопку блокировки (1) назад в положение блокировки, когда инструмент не используется.

Советы по оптимальному использованию

- ◆ Крепко держите инструмент одной рукой за боковую рукоятку, а другой рукой за основную ручку.

Шлифование поверхности шлифовальными кругами

- ◆ Дождитесь, пока инструмент наберет полные обороты, прежде чем прикасаться им к обрабатываемой поверхности.
- ◆ Прилагайте минимальное давление к заготовке, позволяя инструменту работать на высокой скорости. Чем выше частота оборотов инструмента, тем быстрее происходит шлифование.
- ◆ Соблюдайте угол в 20° - 30° между инструментом и заготовкой.
- ◆ Постепенно перемещайте инструмент вперед и назад, чтобы предотвратить образование неровностей на поверхности заготовки.
- ◆ Поднимайте инструмент от обрабатываемой поверхности перед его выключением. Прежде чем положить инструмент, дождитесь его остановки.

Шлифование кромок шлифовальными кругами

При выполнении отрезов или глубокого шлифования круги для шлифования кромок и отрезные круги могут разрушиться или привести к отдаче в случае изгибания или скручивания. Для снижения риска травм используйте только те круги, которые подходят для кожуха типа 27, выполняя неглубокие отрезные работы и нанесение насечек (глубиной не более 13 мм). Открытая часть кожуха должна быть направлена от оператора. Для более глубоких отрезных работ используйте отрезной круг типа 1 с закрытым кожухом типа 1. См. Таблицу принадлежностей для шлифования и резки в конце языкового раздела.

- ◆ Дождитесь, пока инструмент наберет полные обороты, прежде чем прикасаться им к обрабатываемой поверхности.

- ◆ Прилагайте минимальное давление на рабочую поверхность, чтобы инструмент работал на высоких оборотах. Чем выше частота оборотов инструмента, тем быстрее происходит шлифование.
- ◆ Располагайтесь таким образом, чтобы открытая нижняя часть круга была направлена в сторону от вас.
- ◆ После начала резки и образования надреза на обрабатываемой детали не меняйте угол резки. Изменение угла приведет к изгибанию круга и может привести к его разрушению. Шлифовальные круги для обработки кромок не предназначены для выдерживания боковых нагрузок.
- ◆ Поднимите инструмент от обрабатываемой поверхности перед его выключением. Прежде чем положить инструмент, дождитесь его остановки.

Запрещается использовать круги для шлифования кромок/отрезные круги для шлифования поверхностей, так как они не рассчитаны на боковые нагрузки. Это может привести к разрушению круга и личным травмам.

Отделка поверхности шлифовальными веерными дисками

- ◆ Дождитесь, пока инструмент наберет полные обороты, прежде чем прикасаться им к обрабатываемой поверхности.
- ◆ Прилагайте минимальное давление на рабочую поверхность, чтобы инструмент работал на высоких оборотах. Чем выше частота оборотов инструмента, тем быстрее происходит шлифование.
- ◆ Соблюдайте угол в 5° - 10° между инструментом и заготовкой.
- ◆ Постепенно перемещайте инструмент вперед и назад, чтобы предотвратить образование неровностей на поверхности заготовки.
- ◆ Поднимайте инструмент от обрабатываемой поверхности перед его выключением. Прежде чем положить инструмент, дождитесь его остановки.

Использование дисков-подошв для шлифования

Подбирайте шлифовальные диски с подходящим абразивным зерном в зависимости от применения. Имеются шлифовальные диски с абразивным зерном разного размера. Абразивное зерно большого размера подходит для быстрого удаления материала и грубой обработки поверхности.

Абразивное зерно меньшего размера удаляет материал медленнее, но поверхность получается более гладкой. Начинайте обработку шлифовальными дисками с крупным абразивным зерном. Затем перейдите к шлифовальным дискам со средним абразивным зерном, и, наконец — малым абразивным зерном.

- ◆ Крупн. 16–30 зернист.
- ◆ Средн. 36–80 зернист.
- ◆ Мелк. 100–120 зернист.
- ◆ Очень мелк. 150–180 зернист.
- ◆ Дождитесь, пока инструмент наберет полные обороты, прежде чем прикасаться им к обрабатываемой поверхности.
- ◆ Прилагайте минимальное давление на рабочую поверхность, чтобы инструмент работал на высоких оборотах. Чем выше частота оборотов инструмента, тем быстрее происходит шлифование.
- ◆ Соблюдайте угол в 5° - 15° между инструментом и заготовкой. Шлифовальный диск должен касаться приблизительно 25 мм обрабатываемой поверхности.
- ◆ Перемещайте инструмент по прямой линии, предотвращая появление ожогов и царапин на обрабатываемой поверхности. Длительное удержание инструмента на одном месте, а также круговые движения по поверхности приводят к образованию отметок ожога и спиральных царапин.
- ◆ Поднимайте инструмент от обрабатываемой поверхности перед его выключением. Прежде чем положить инструмент, дождитесь его остановки.

Использование чашеобразных проволочных щеток и проволочных дисков

Проволочные диски можно использовать для удаления коррозии и краски, а также для выравнивания неровных поверхностей.

Примечание: При обработке окрашенных поверхностей проволочной щеткой применимы те же меры предосторожности что и при шлифовании окрашенных поверхностей.

- ◆ Дождитесь, пока инструмент наберет полные обороты, прежде чем прикасаться им к обрабатываемой поверхности.
- ◆ Прилагайте минимальное давление на рабочую поверхность, чтобы инструмент работал на высоких оборотах. Чем выше частота оборотов инструмента, тем быстрее происходит удаление материала.
- ◆ При работе с чашеобразными проволочными щетками поддерживайте угол в 5° - 10° между инструментом и заготовкой.
- ◆ При работе с проволочными дисками прижимайте край диска к рабочей поверхности.
- ◆ Постепенно перемещайте инструмент вперед и назад, чтобы предотвратить образование неровностей на поверхности заготовки. Длительное удержание инструмента на одном месте, а также круговые движения по поверхности приводят к образованию отметок ожога и спиральных царапин.
- ◆ Поднимите инструмент от обрабатываемой поверхности перед его выключением. Прежде чем положить

инструмент, дождитесь его полной остановки. Соблюдайте особую осторожность при работе вблизи краев, так как при этом увеличена вероятность резкого смещения инструмента.

Меры предосторожности при зачистке или очистке проволочными щетками окрашенных поверхностей

- ◆ Зачистка заготовок, покрашенных краской на основе свинца, НЕ РЕКОМЕНДУЕТСЯ из-за образующейся вредной пыли. Наибольшую опасность отравление свинцом представляет для детей и беременных женщин.
- ◆ Так как определение наличия свинца в краске без проведения химического анализа достаточно сложно, мы рекомендуем соблюдать следующие меры предосторожности при выполнении наждачной чистки окрашенных поверхностей:

Обеспечение индивидуальной безопасности

- ◆ В рабочей зоне, где производится шлифовка, не должны находиться дети и беременные женщины, пока место проведения работ не будет полностью очищено.
- ◆ Все люди, входящие в рабочую зону, должны надевать пылезащитные маски или респираторы. Фильтр следует заменять ежедневно или всякий раз, когда у пользователя возникают трудности с дыханием.

Примечание: Допускается использование только тех пылезащитных масок, которые подходят для работы с пылью и парами свинцовой краски. Стандартные маски для работы с краской не предлагают эту защиту. Купите в строительном магазине защитную маску утвержденного типа.

- ◆ Чтобы предотвратить попадание загрязненных частиц краски в организм, запрещается ЕСТЬ, ПИТЬ и КУРИТЬ в месте проведения работ. ПЕРЕД тем как поест, попить или покурить, рабочие должны тщательно смыть с себя пыль. Запрещается оставлять продукты питания, питьевые жидкости и сигареты в местах, где на них может осесть пыль.

Экологическая безопасность

- ◆ Краску следует удалять таким образом, чтобы свести к минимуму количество образуемой пыли.
- ◆ Рабочая зона, в которой происходит удаление краски, должна быть запечатана пластиковой пленкой толщиной не менее 4 мил.
- ◆ Зачистку следует проводить таким образом, чтобы пыль краски не покидала зону проведения работ.

Чистка и утилизация

- ◆ Все поверхности в рабочей зоне должны быть тщательно очищены и пропылесосены на протяжении

проведения работ. Заменяйте пылесборники как можно чаще.

- ◆ Пленку необходимо собирать и утилизировать вместе с пылевой стружкой и другим мусором. Они должны быть помещены в герметичные мешки для мусора и утилизированы в рамках стандартной процедуры сбора мусора. Во время выполнения работ по очистке детям и беременным женщинам запрещается входить в место проведения работ.
- ◆ Все игрушки, моющаяся мебель и посуда, используемые детьми, должны быть тщательно вымыты перед использованием.

Использование отрезных кругов

Запрещается использовать круги для шлифования кромок/отрезные круги для шлифования поверхностей, так как они не рассчитаны на боковые нагрузки.

Это может привести к разрушению круга и личным травмам.

- ◆ Дождитесь, пока инструмент наберет полные обороты, прежде чем прикасаться им к обрабатываемой поверхности.
- ◆ Прилагайте минимальное давление на рабочую поверхность, чтобы инструмент работал на высоких оборотах. Чем выше частота оборотов инструмента, тем быстрее происходит отрезание.
- ◆ После начала резки и образования надреза на обрабатываемой детали не меняйте угол резки. Изменение угла приведет к изгибанию круга и может привести к его разрушению.
- ◆ Поднимайте инструмент от обрабатываемой поверхности перед его выключением. Прежде чем положить инструмент, дождитесь его полной остановки.

Техническое обслуживание

Ваш инструмент Stanley Fat Max рассчитан на работу в течение продолжительного времени при минимальном техническом обслуживании. Срок службы и надежность инструмента увеличивается при правильном уходе и регулярной чистке.

Зарядное устройство не требует никакого обслуживания кроме регулярной чистки.

Внимание! Перед выполнением любых работ по обслуживанию проводных/беспроводных инструментов:

- ◆ Выключите и отключите от сети устройство/инструмент.
- ◆ Или выключите устройство/инструмент и извлеките аккумуляторную батарею, если он оснащен отдельной аккумуляторной батареей.
- ◆ Или полностью выработайте заряд аккумуляторной батареи, если она встроена и затем выключите

инструмент.

- ◆ Перед чисткой зарядного устройства отключите его от источника питания. Зарядное устройство не требует никакого обслуживания кроме регулярной чистки.
- ◆ Регулярно очищайте вентиляционные отверстия зарядного устройства с помощью мягкой щетки или сухой тканевой салфетки.
- ◆ Регулярно очищайте корпус двигателя с помощью влажной ткани. Не используйте никакие абразивные чистящие средства или средства на основе растворителей.
- ◆ Регулярно открывайте патрон и сверху очищайте ее от грязи (после установки).

Защита окружающей среды



Отдельная утилизация. Изделия и аккумуляторные батареи с данным символом на маркировке запрещается утилизировать с обычными бытовыми отходами.

Изделия и аккумуляторные батареи содержат материалы, которые могут быть извлечены или переработаны, снижая потребность в исходном сырье.

Пожалуйста, утилизируйте электрические изделия и аккумуляторные батареи в соответствии с местными нормами. Дополнительная информация доступна по адресу www.2helpU.com.

Технические характеристики

		FMC761 (H1)	
Напряжение	$V_{\text{пост. тока}}$	18	
Скорость без нагрузки	Мин^{-1}	9,000	
Диаметр диска	мм	125	
Диаметр посадочного отверстия	мм	22	
Максимальная толщина диска			
шлифовальные диски	мм	6	
отрезные диски	мм	3,5	
Диаметр шпинделя		M14	
Длина шпинделя (с установленным внутренним фланцем)	мм	14	
Длина шпинделя (без установленного внутреннего фланца)	мм	19,5	
Вес	кг	2,9	

		905998**	906086**
Зарядное устройство			
Входное напряжение	$V_{\text{пост. тока}}$	230	230
Выходное напряжение	$V_{\text{пост. тока}}$	18	18
Ток	A	1	2
Приблизительное время зарядки	МИН.	90-240	45-120

Аккумуляторная Батарея		FMC685L	FMC687L	FMC688L
Напряжение	$V_{\text{ном. тока}}$	18	18	18
Емкость	Ач	1,5	2,0	4,0
Тип		Ионно-литиевая	Ионно-литиевая	Ионно-литиевая

Уровень звукового давления в соответствии с EN 60745:	
Звуковое давление (L_{pA})	80,5 дБ(А), погрешность (К) 3 дБ(А)
Акустическая мощность (L_{WA})	91,5 дБ(А), погрешность (К) 3 дБ(А)

Сумма величин вибрации (сумма векторов по трем осям), измеренных в соответствии со стандартом EN 60745:	
Шлифование поверхностей ($a_{\text{h,sg}}$)	3,9 м/с ² , погрешность (К) 1,5 м/с ²
Полировка ($a_{\text{h,p}}$)	2,0 м/с ² , погрешность (К) 1,5 м/с ²
Зачистка диском ($a_{\text{h,ds}}$)	4,5 м/с ² , погрешность (К) 1,5 м/с ²

Внимание! При выполнении таких операций как резка или очистка проволочной щеткой уровень вибрации может иметь разные значения.

Заявление о соответствии нормам ЕС

ДИРЕКТИВА ПО МЕХАНИЧЕСКОМУ ОБОРУДОВАНИЮ



FMC761 - Аккумуляторная угловая шлифовальная машина

Stanley Fat Max заявляет, что продукция, описанная в разделе «Технические характеристики» соответствует: EN60745-1:2009+A11:2010, EN60745-2-3:2011+A12:2014

Эти продукты также соответствуют Директивам 2006/42/ЕС, 2014/30/EU и 2011/65/EU.

За дополнительной информацией обращайтесь в компанию Stanley Fat Max по адресу, указанному ниже или приведенному на задней стороне обложки руководства.

Нижеподписавший несет ответственность за составление технической документации и составил данную декларацию по поручению компании Stanley Fat Max.

Р. Лейверик (R. Laverick)
 Директор по разработке и производству
 Stanley Fat Max Europe, Egide Walschaertsstraat 14-18,
 2800 Mechelen, Бельгия
 06/02/2020

Гарантия

Компания Stanley Fat Max уверена в качестве своей продукции и предлагает клиентам гарантии на 12 месяцев с момента покупки. Данная гарантия является дополнительной и ни в коей мере не направлена на ущемление Ваших юридических прав. Гарантия действует на территории стран-участниц ЕС и в Европейской зоне свободной торговли.

Чтобы подать заявку по гарантии, заявка должна соответствовать положениям и условиям Stanley Fat Max; кроме того, Вам потребуется предъявить продавцу или авторизованному специалисту по ремонту подтверждение покупки. Положения и условия 1-летней гарантии Stanley Fat Max и местонахождение ближайшего авторизованного специалиста по ремонту можно узнать через Интернет по адресу www.2helpU.com, или связавшись с местным представительством Stanley Fat Max по адресу, указанному в данном руководстве.

Посетите наш веб-сайт www.stanley.eu/3, чтобы зарегистрировать свое новое изделие Stanley Fat Max и получать информацию о новинках и специальных предложениях



Приложение к руководству по эксплуатации электрооборудования для определения месяца производства по номеру текущей календарной недели года

Электрооборудование торговых марок "Dewalt", "Stanley", "Stanley FatMAX", "BLACK+DECKER".

Директивы 2014/30/EU ЕВРОПЕЙСКОГО ПАРЛАМЕНТА И СОВЕТА от 26 февраля 2014 г. "О гармонизации законодательства Государств-членов ЕС в области электромагнитной совместимости", 2006/42/ЕС ЕВРОПЕЙСКОГО ПАРЛАМЕНТА И СОВЕТА от 17 мая 2006 г. "О машинах и оборудовании"; 2014/35/EU ЕВРОПЕЙСКОГО ПАРЛАМЕНТА И СОВЕТА от 26 февраля 2014 г. "О гармонизации законодательства государств-членов в области размещения на рынке электрооборудования, предназначенного для использования в определенных пределах напряжения". Серийный выпуск.

ТОВАР СЕРТИФИЦИРОВАН

Орган по сертификации "РОСТЕСТ- Москва",
Адрес: 119049, г. Москва, улица Житная, д. 14, стр. 1; 117418, Москва, Нахимовский просп., 31 (фактический),
Телефон: (499) 1292311, (495) 6682893, Факс: (495) 6682893,
E-mail: office@rostest.ru
Изготовитель: Изготовитель: Блэк энд Деккер Холдингс ГмбХ,
Германия, 65510, Идштайн, ул. Блэк энд Деккер, 40,
тел. +496126212790.

Уполномоченное изготовителем юр.лицо:

ООО "Стэнли Блэк энд Деккер", 117485, город Москва, улица Обручева, дом 30/1, строение 2
Телефон: + 7 (495) 258-3981, факс: + 7 (495) 258-3984,
E-mail: inbox@dewalt.com
Сведения о импортере указаны в сопроводительной документации и/или на упаковке

Хранение.

Необходимо хранить в сухом месте, вдали от источников повышенных температур и воздействия солнечных лучей. При хранении необходимо избегать резкого перепада температур. Хранение без упаковки не допускается

Срок службы.

Срок службы изделия составляет 5 лет. Не рекомендуется к эксплуатации по истечении 5 лет хранения с даты изготовления без предварительной проверки.

Дата изготовления (код даты) указана на корпусе инструмента/продукции.

Код даты, который также включает год изготовления, отштампован на поверхности корпуса изделия.

Пример:

2014 46 XX, где 2014 –год изготовления, 46-неделя изготовления. Определить месяц изготовления по указанной неделе изготовления можно согласно приведенной ниже таблице.

Транспортировка.

Категорически не допускается падение и любые механические воздействия на упаковку при транспортировке. При разгрузке/погрузке не допускается использование любого вида техники, работающей по принципу зажима упаковки.

Перечень критических отказов, возможные ошибочные действия персонала.

Не допускается эксплуатация изделия:

- При появлении дыма из корпуса изделия
- При поврежденном и/или оголенном сетевом кабеле
- При повреждении корпуса изделия, защитного кожуха, рукоятки
- При попадании жидкости в корпус
- При возникновении сильной вибрации
- При возникновении сильного искрения внутри корпуса

Критерии предельных состояний.

- При поврежденном и/или оголенном сетевом кабеле
- При повреждении корпуса изделия

Месяц	Январь	Февраль	Март	Апрель	Май	Июнь	Июль	Август	Сентябрь	Октябрь	Ноябрь	Декабрь	Год производства
Неделя	1	5	9	14	18	23	27	31	36	40	44	49	2018
	2	6	10	15	19	24	28	32	37	41	45	50	
	3	7	11	16	20	25	29	33	38	42	46	51	
	4	8	12	17	21	26	30	34	39	43	47	52	
			13		22				35			48	
Неделя	1	6	10	14	18	23	27	31	36	40	45	49	2019
	2	7	11	15	19	24	28	32	37	41	46	50	
	3	8	12	16	20	25	29	33	38	42	47	51	
	4	9	13	17	21	26	30	34	39	43	48	52	
	5					22			35				
Неделя	1	6	10	14	19	23	27	32	36	40	45	49	2020
	2	7	11	15	20	24	28	33	37	41	46	50	
	3	8	12	16	21	25	29	34	38	42	47	51	
	4	9	13	17	22	26	30	35	39	43	48	52	
	5				18						44		
Неделя	2	6	10	14	19	23	27	32	36	41	45	49	2021
	3	7	11	15	20	24	28	33	37	42	46	50	
	4	8	12	16	21	25	29	34	38	43	47	51	
	5	9	13	17	22	26	30	35	39	44	48	52	
				18				31		40			
Неделя	2	6	10	15	19	23	28	32	36	41	45	49	2022
	3	7	11	16	20	24	29	33	37	42	46	50	
	4	8	12	17	21	25	30	34	38	43	47	51	
	5	9	13	18	22	26	31	35	39	44	48	52	
				14			27			40			

STANLEY FATMAX®

3 ГОДА ГАРАНТИИ
ТРЕБУЕТСЯ ОНЛАЙН РЕГИСТРАЦИЯ
СТАНДАРТНАЯ ГАРАНТИЯ 1 ГОД
подробные условия гарантии и формы регистрации см. по ссылке ниже
sfm.stanley.ru

ГАРАНТИЙНЫЕ УСЛОВИЯ

Уважаемый покупатель!

1. Поздравляем Вас с покупкой высококачественного изделия STANLEY FATMAX и выражаем признательность за Ваш выбор.

2. При покупке изделия требуйте проверки его комплектности и исправности в Вашем присутствии. В комплекте с инструментом должна быть инструкция по эксплуатации и гарантийные условия производителя на русском языке. Сохраняйте на весь срок гарантии Ваш документ, удостоверяющий факт покупки изделия. Убедитесь, что в чеке указаны: фискальный номер чека, модель/наименование изделия, дата продажи и название торговой организации.

3. Во избежание недоразумений убедительно просим Вас перед началом работы с изделием внимательно ознакомиться с инструкцией по его эксплуатации. Правовой основой настоящих гарантийных условий является действующее Законодательство. Гарантийный срок на данное изделие составляет 12 месяцев* и исчисляется со дня продажи. В случае устранения недостатков изделия гарантийный срок продлевается на период его нахождения в ремонте. Срок службы изделия составляет 5 лет со дня продажи.

4. В случае возникновения каких-либо проблем в процессе эксплуатации изделия рекомендуем Вам обращаться только в уполномоченные сервисные центры STANLEY FATMAX, адреса и телефоны которых Вы можете найти на сайте www.2helpU.com или узнать в магазине. Наши сервисные станции это не только квалифицированный ремонт, но и широкий ассортимент запчастей и принадлежностей.

5. Производитель рекомендует проводить периодическую проверку и техническое обслуживание изделия в уполномоченных сервисных центрах.

6. Наши гарантийные обязательства распространяются только на неисправности, выявленные в течение гарантийного срока и вызванные дефектами материалов или сборки изделия.

7. **Гарантийные условия не распространяются на неисправности изделия, возникшие в результате:**

7.1. Несоблюдения пользователем предписаний инструкции по эксплуатации изделия, применения изделия не по назначению, неправильном хранении, использования принадлежностей, расходных материалов и запчастей, не предусмотренных производителем.

7.2. Механического повреждения (сколы, трещины и разрушения) внутренних и внешних деталей изделия, основных и вспомогательных рукояток, сетевого электрического кабеля, вызванного внешним ударным или любым иным воздействием.

7.3. Попадания в вентиляционные отверстия и проникновение внутрь



ОБЯЗАТЕЛЬНО СОХРАНЯЙТЕ КАССОВЫЙ ЧЕК

изделия посторонних предметов, материалов или веществ, не являющихся отходами, сопровождающими применение изделия по назначению, такими как: стружка, опилки, песок, и пр.

7.4. Воздействий на изделие неблагоприятных атмосферных и иных внешних факторов, таких как дождь, снег, повышенная влажность, нагрев, агрессивные среды, несоответствие параметров питающей электросети, указанных на инструменте.

7.5. Стихийного бедствия. Повреждение или утрата изделия, связанное с непредвиденными бедствиями, стихийными явлениями, в том числе вследствие действия непреодолимой силы (пожар, молния, потоп и другие природные явления), а также вследствие перепадов напряжения в электросети и другими причинами, которые находятся вне контроля производителя.

8. **Гарантийные условия не распространяются:**

8.1. На инструменты, подвергавшиеся вскрытию, ремонту или модификации вне уполномоченного сервисного центра.

8.2. На детали и узлы, имеющие следы естественного износа, такие как: приводные ремни и колеса, угольные щетки, смазка, подшипники, зубчатое зацепление редукторов, резиновые уплотнения, сальники, направляющие ролики, муфты сцепления, бойки, толкатели, стволы, и т.п.

8.3. На сменные и расходные части: цанги, зажимные гайки и фланцы, фильтры, ножи, шлифовальные подошвы, цепи, звездочки, пыльные шины, защитные кожухи, пилки, абразивы, пыльные и абразивные диски, фрезы, сверла, буры и т.п.

8.4. На неисправности, возникшие в результате перегрузки инструмента (как механической, так и электрической), повлекшей выход из строя одновременно двух и более деталей и узлов, таких как ротора и статора, обеих обмоток статора, ведомой и ведущей шестерни редуктора или других узлов и деталей. К безусловным признакам перегрузки изделия относятся, помимо прочего: появление цветов побежалости, деформация или оплавление деталей и узлов изделия, потемнение или обугливание изоляции проводов электродвигателя под воздействием высокой температуры.

* **Зарегистрируйте ваш новый электроинструмент STANLEY FATMAX чтобы получить 3 года гарантии.**

- требуется регистрация продукта в течение 4-х недель со дня покупки;

- для регистрации посетите наш сайт sfm.stanley.ru



Горячая линия

8-800-1000-876

Актуальную информацию об обслуживании в интересующем вас городе вы можете узнать на сайте

service.stanley.ru

■ Список авторизованных сервисных центров

■ Поиск ближайшего сервисного центра

■ Руководство по эксплуатации

■ Технические характеристики

■ Список деталей и запасных частей

■ Схема сборки инструмента

ГАРАНТИЙНОЕ ОБСЛУЖИВАНИЕ

С БЕСПЛАТНОЙ ДОСТАВКОЙ

Теперь вы можете сдать инструмент в сервис, даже если его нет в вашем городе.

Скачать/распечатать инструкцию с сайта

service.stanley.ru



Отметки о проведении сервисного обслуживания

№1	№2	№3	№4
№ заказа	№ заказа	№ заказа	№ заказа
Дата поступления	Дата поступления	Дата поступления	Дата поступления
Дата ремонта	Дата ремонта	Дата ремонта	Дата ремонта
Печать и подпись сервисного центра	Печать и подпись сервисного центра	Печать и подпись сервисного центра	Печать и подпись сервисного центра



ПОДАРОК ЗА ОТЗЫВ*

- 1 Зарегистрируйся на my.stanley.ru
- 2 Напиши отзыв о покупке
- 3 Получи подарок на выбор**



*Акция проводится на территории Российской Федерации. Подробные условия акции указаны на my.stanley.ru

** Подарок может отличаться от изображенного, актуальный перечень см. на my.stanley.ru

Сфера застосування

Ваші кутові шліфувальні станки FMC721 виробництва компанії Stanley Fat Max розроблені для шліфування та відсікання металу та каменю за допомогою відповідного ріжучого або шліфувального диску і мають бути оснащені відповідним захисним кожухом. Цей пристрій призначений для професійного використання, а також для приватних непрофесійних користувачів.

Інструкції з техніки безпеки

Загальні правила безпеки для електричного інструмента



Увага! Прочитайте всі попередження та інструкції. Невиконання наведених нижче попереджень та інструкцій може призвести до ураження електричним струмом, пожежі та/або серйозних травм.

Збережіть всі попередження та інструкції для використання в майбутньому. Термін «електричний інструмент»

в усіх попередженнях, перерахованих нижче, стосується використовуваних вами інструментів, що працюють від мережі енергоспоживання (з використанням електричного кабелю) або батарей (без кабелю).

1. Безпека робочої зони

- a. **Тримайте робочу зону чистою та добре освітленою.** Невпорядковані й темні робочі зони збільшують імовірність нещасного випадку.
- b. **Не використовуйте електричні інструменти у вибухонебезпечній атмосфері, наприклад у присутності займистих газів та пилу.** Електричні інструменти створюють іскри, що можуть запалити пил або випаровування.
- c. **Тримайте дітей та сторонніх подалі під час використання інструменту.** Відвернення уваги може призвести до втрати контролю.

2. Електрична безпека

- a. **Вилка електричного інструмента має відповідати розетці. Ніколи жодним чином не змінюйте вилку. Не використовуйте адаптери з заземленими електричними інструментами.** Немодифіковані вилки та розетки, що відповідають їм, зменшують ризик ураження електричним струмом.
- b. **Уникайте контакту тіла із заземленими поверхнями, такими як труби, радіатори, плити та холодильники.** Якщо ваше тіло заземлене, збільшується ризик ураження електричним струмом.
- c. **Не залишайте електричні інструменти під дощем або за умов підвищеної вологості.** Вода, що

потрапляє в електричний інструмент, підвищує ризик ураження електричним струмом.

- d. **Не використовуйте кабель живлення не за призначенням. Ніколи не переносьте, не тягніть та не відключайте електричний інструмент від розетки живлення за допомогою шнура. Тримайте шнур подалі від високих температур, мастила, гострих предметів та рухомих деталей.** Пошкоджені або перекручені шнури підвищують ризик ураження електричним струмом.
 - e. **При використанні електричного інструменту на вулиці, використовуйте подовжувачий шнур, що підходить для використання на вулиці.** Використання шнура, що підходить для вулиці, знижує ризик ураження електричним струмом.
 - f. **Якщо неможливо уникнути використання електричного інструменту за умов підвищеної вологості, використовуйте джерело живлення, захищене пристроєм залишкового струму (RCD).** Використання RCD знижує ризик ураження електричним струмом.
- ### 3. Особиста безпека
- a. **Будьте в стані готовності, дивіться, що ви робите, та використовуйте загальний глудз, коли ви працюєте з електричним інструментом. Не використовуйте електричний інструмент, коли ви втомлені або знаходитесь під впливом наркотичних речовин, алкоголю або ліків.** Втрата уваги при роботі з електричними інструментами можуть призвести до серйозних травм.
 - b. **Використовуйте особисті засоби безпеки. Завжди використовуйте засоби захисту очей.** Засоби безпеки, такі як протипилова маска, нековзкі безпечні черевики, захисний шолом та засоби захисту слухового апарату, які використані для відповідних умов, зменшують імовірність особистих травм.
 - c. **Уникайте випадкового запуску. Переконайтесь в тому, що перемикач знаходиться в позиції Вимк., перш ніж підключати інструмент до джерела живлення та/або акумулятора, переміщувати або переносити.** Якщо ви переносите інструмент, тримаючи палець на перемикачі, або підключаєте живлення з перемикачем в позиції Увімк., це може призвести до нещасного випадку.
 - d. **Зніміть всі налаштувальні ключі або гайкові ключі перед вмиканням електричного інструмента.** Гайковий ключ, що залишився прикріпленим до якоїсь деталі електричного пристрою, що обертається, може призвести до травм.
 - e. **Не перенапружуйтеся. Завжди утримуйте правильну постановку ніг і рівновагу.** Це дає вам змогу краще контролювати інструмент в

непередбачуваних ситуаціях.

- f. **Вдягайте відповідний одяг. Не вдягайте вільний одяг або прикраси. Тримайте ваше волосся, одяг та рукавички подалі від рухомих деталей.** Вільний одяг, прикраси або довге волосся можуть зачепитися за рухомі деталі.
- g. **Якщо передбачені пристрої для підключення до засобів виділення та збирання пилу, переконайтеся, що вони правильно підключені та використовуються.** Використання таких пристроїв зменшує ризик виникнення небезпечних ситуацій, що пов'язані з потраплянням пилу.
4. **Використання електричного інструмента та догляд за ним**
 - a. **Не застосовуйте надмірні зусилля під час роботи з інструментом. Використовуйте електричний інструмент, який відповідає завданню, що виконується.** Правильно обраний інструмент виконає завдання краще та безпечніше за умов, для яких він був розроблений.
 - b. **Не використовуйте інструмент, вмикач якого не вмикає та не вимикає його.** Будь-який електричний інструмент, який не може управлятися вмикачем, є небезпечним і має бути відремонтований.
 - c. **Відключіть вилку від джерела живлення та/або зніміть акумуляторний блок з електричного інструмента перед тим, як робити будь-які налаштування, змінювати додаткове обладнання чи зберігати електричні інструменти.** Ці профілактичні заходи зменшують ризик випадкового запуску електричного інструмента.
 - d. **Зберігайте вимкнені електричні інструменти подалі від дітей та не дозволяйте особам, що не знайомі з електричним інструментом або цими інструкціями, використовувати електричний інструмент.** Електричні інструменти є небезпечними, якщо вони використовуються некваліфікованими користувачами.
 - e. **Технічне обслуговування електричних інструментів. Перевіряйте несумісність або заїдання рухомих деталей, наявність ушкоджених частин та інших умов, що можуть впливати на роботу електричного інструмента. Якщо є пошкодження, відремонтуйте електричний інструмент перед використанням.** Багато нещасних випадків є результатом того, що інструмент не пройшов відповідного технічного обслуговування.
 - f. **Тримайте ріжучі інструменти гострими та чистими.** Правильно доглянуті ріжучі інструменти з гострими ріжучими кромками мають меншу ймовірність заїдання, та ними легше керувати.
 - g. **Використовуйте електричний інструмент, приладдя та деталі інструмента тощо у**

відповідності до цих інструкцій, зважаючи на умови використання та роботу, яка має бути виконана. Використання електричних інструментів не за призначенням може призвести до виникнення небезпечних ситуацій.

5. **Використання та догляд за інструментом, що працює від батареї**
 - a. **Заряджайте інструмент лише за допомогою зарядного пристрою, що вказаний виробником.** Зарядний пристрій, що підходить до одного типу акумуляторів, може призвести до пожежі, коли використовується з іншим акумулятором.
 - b. **Використовуйте електричні інструменти лише зі спеціально розробленими комплектами батарей.** Використання інших акумуляторів може призвести до травм або пожежі.
 - c. **Коли акумулятори не використовуються, зберігайте їх подалі від металевих предметів, як скріпки, монети, ключі, цвяхи, гвинти або інші невеликі предмети, що можуть призвести до замикання двох контактів.** Коротке замикання клем акумулятора може призвести до вибуху або пожежі.
 - d. **За невідповідних умов використання рідина може витікати з батареї, уникайте контакту з цією рідиною.** Якщо контакт таки стався, промийте забруднену ділянку водою. Якщо рідина потрапила в очі, промийте водою та зверніться до лікаря. Рідина, що витікає з батареї, може призвести до подразнень та опіків.
6. **Обслуговування**
 - a. **Надавайте ваш електричний інструмент для обслуговування кваліфікованим спеціалістом з ремонту та використовуйте тільки ідентичні замінні деталі.** Це забезпечить безпеку електричного пристрою.

Додаткові правила безпеки для електричного інструмента



Увага! Додаткові інструкції з техніки безпеки для операцій шліфування, пікоструминної обробки, очищення дротовими щітками, полірування або абразивного обрізання.

- ◆ Цей електричний інструмент призначений для шліфування, пікоструминного очищення, очищення за допомогою дротової щітки, полірування та відрізання. Ознайомтеся з усіма попередженнями, інструкціями з техніки безпеки, зображеннями та специфікаціями, які поставляються з даним електричним інструментом. Невиконання нижченаведених інструкцій може призве-

сти до ураження електричним струмом, пожежі та/або серйозних тілесних ушкоджень.

- ◆ Використання інструменту не за призначенням може бути небезпечним та призвести до особистих травм.
- ◆ Не використовуйте приладдя, що не було розроблено спеціально для цього інструмента та не рекомендовано виробником. При експлуатації насадок з швидкістю, що перевищує їх номінальні характеристики, вони можуть зламатися або розлетітися під час роботи з інструментом.
- ◆ Номінальна швидкість приладдя повинна щонайменше дорівнювати максимальній швидкості, вказаній на електричному інструменті. Аксесуари з більшою швидкістю можуть зламатися та розлетітися
- ◆ Зовнішній діаметр та товщина вашого приладдя повинні знаходитись у рамках характеристики потужності цього електричного інструмента. Експлуатація насадок невідповідних розмірів не підлягає належному контролю.
- ◆ Приладдя з різьбленням повинно відповідати різьбленню шпинделя шліфувального станка. При встановленні приладдя з фланцем в отвір оправлення воно має відповідати діаметру фланця на інструменті. Насадки, які не відповідають елементам кріплення електричного інструмента, можуть втрачати баланс, надмірно вібрувати та призводити до втрати контролю.
- ◆ Не використовуйте пошкоджене приладдя. Перед кожним використанням необхідно оглянути насадки, наприклад, абразивні диски - на наявність пошкоджень та тріщин, опорні пластини - на наявність тріщин або надмірний знос, дротову щітку - на порив дротів чи тріщини. Якщо електричний інструмент або приладдя падали, необхідно оглянути їх на пошкодження та встановити приладдя без дефектів. Після огляду та встановлення насадки відступіть на певну відстань та попросіть сторонніх відійти від площини обертання приладдя. Запустіть електричний інструмент при максимальній швидкості без навантаження та залиште його в робочому стані впродовж однієї хвилини. Пошкоджені насадки звичайно зламаються під час такого запуску.
- ◆ Використовуйте особисті засоби безпеки. У залежності від способу експлуатації інструмента слід використовувати захисний щиток, захисні окуляри або маску. За необхідності одягайте протипилову маску, засоби захисту слуху, рукавиці або робочий фартух, що захистять вас від попадання абразивних частинок або фрагментів заготовки. Захисні окуляри захистять вас від частинок, що здатні розлітатися під час певних видів робіт. Протипилова

маска або респіратор повинні фільтрувати частинки, що утворюються під час роботи. Тривалий вплив інтенсивного шуму може призвести до втрати слуху.

- ◆ Сторонні особи повинні перебувати подалі від робочої зони. Будь-яка особа, яка наближається до робочої зони, повинна використовувати засоби особистого захисту. Фрагменти заготовки або уламки аксесуарів можуть відлетіти та призвести до травм, навіть поза безпосередньою зоною роботи.
- ◆ Тримайте електричний інструмент лише за ізолювану поверхню при виконанні операцій, коли ріжучі насадки можуть торкнутися проводки або власного кабелю. При контакті з дротом під напругою, ріжучі елементи можуть спричинити появу напруги на інструменті та ураження оператора електричним струмом.
- ◆ Розмістіть кабель подалі від приладдя, що обертається. Якщо ви втратите контроль, кабель може розрізатися або зачепитися, а ваша рука чи палець - доторкнутися до насадки, що обертається.
- ◆ У жодному разі не кладіть інструмент, доки всі його деталі повністю не зупиняться. Насадка, що обертається, може захопити поверхню та потягнути електричний інструмент з рук.
- ◆ Не тримайте увімкнений інструмент біля власного тіла. Випадковий контакт з насадкою, що обертається, може зачепити одяг, потягнувши інструмент до вашого тіла.
- ◆ Регулярно очищуйте вентиляційні отвори електричного інструмента. Вентилятор двигуна буде втягувати пил всередину корпусу, надмірна кількість металевих частинок може призвести до ризику ураження електричним струмом.
- ◆ Не використовуйте електричний інструмент біля легкозаймистих матеріалів. Іскри можуть викликати спалах цих матеріалів.
- ◆ Не використовуйте приладдя, що вимагає рідкого холодоагенту. Використання води та інших рідких охолоджувачів може призвести до смерті від електричного удару або ураження електричним струмом.

Примітка. Вище наведене попередження не стосується інструментів, що спеціально розроблені для використання з рідкою системою.

Віддача та відповідні попередження

Віддача — це раптова реакція на затиснений або деформований поворотний диск, опорну прокладку, щітку або інше приладдя. Затиснення або нерівності викликають різке уповільнення швидкості обертання рухомого приладдя, що, в свою чергу, викликає відхилення неконтрольованого електричного інструмента в напрямку, протилежному напрямку обертання приладдя в місці зчеплення.

Наприклад, якщо абразивний диск затиснений заготовкою, край диска, що входить у зону затиснення, може увійти в поверхню матеріалу, спричиняючи віддачу диска. При цьому диск відскочить від оператора або на оператора, в залежності від напрямку руху диска в точці заїдання. Абразивні диски також можуть зламатися за цих умов.

Віддача є результатом невірної використання інструмента або/та невірних способів або умов експлуатації, її можна уникнути, живляючи відповідних заходів, перерахованих нижче.

- ◆ **Добре тримайте інструмент та розташуйте своє тіло та руки так, щоб можна було протистояти віддачі.** Завжди використовуйте додаткову ручку, якщо така є, для максимального контролю віддачі або реактивного крутного моменту при запуску. Оператор може контролювати реактивний крутний момент або сили віддачі, якщо вжиті відповідні заходи.
- ◆ **Ніколи не розташуйте руки біля різальних поверхонь.** Віддача насадки може скеровуватись на руку.
- ◆ **Не розташуйте своє тіло в зоні, куди буде рухатися інструмент у разі віддачі.** Віддача призведе до руху інструмента в напрямку, протилежному руху диска в точці заїдання.
- ◆ **Будьте особливо уважними коли обробляєте кути, гострі краї тощо.** Уникайте відстрибування та заїдання приладдя. Кути, гострі краї або відстрибування можуть призвести до затиснення аксесуару та викликати втрату контролю або віддачу.
- ◆ **Не прикріплюйте полотно для різьблення ланцюгової пилки чи зубчастого полотна.** Такі полотна призводять до частих віддач та втрати контролю.

Попередження з техніки безпеки для операцій шліфування та абразивного відрізання:

- ◆ **Використовуйте лише ті типи дисків, що рекомендовані для цього електричного інструмента, та спеціальні захисні кожухи, розроблені для обраного диска.** Диски, що не призначені для використання з даним електричним інструментом, неможливо відповідно закріпити, тому їх використання може бути небезпечним.
- ◆ **Шліфувальна поверхня дисків з опущеним центром повинна знаходитися нижче площини кромки захисного кожуха.** Невідповідно встановлений диск, який виступає над площиною кромки захисного кожуху, неможливо належно захистити.
- ◆ **Захисний кожух необхідно надійно прикріпити до електричного інструмента та розмістити для максимальної безпеки так, щоб найменша область диска була спрямована на оператора.** Захисний кожух допомагає захистити оператора від фрагментів

зламаного диску, випадкового контакту з диском та іскор, що можуть запалити одяг.

- ◆ **Диски повинні використовуватись лише для рекомендованих видів діяльності.** Наприклад, не проводьте шліфування боковою стороною різального диска. Абразивні ріжучі диски призначені для шліфування периферійних ділянок, при чому бокове навантаження, застосоване до цих дисків, може призвести до їх розхитування.
- ◆ **Завжди використовуйте непошкоджені фланці дисків відповідного розміру та форми для обраного диска.** Відповідні фланці диску підтримують диск, зменшуючи можливість поломки диску. Фланці ріжучих дисків можуть відрізатися від фланців шліфувальних дисків.
- ◆ **Не використовуйте зношені диски більших електричних інструментів.** Диски, призначені для більших електричних інструментів, не підходять для більшої швидкості менших інструментів, і тому можуть вибухнути.

Додаткові попередження з техніки безпеки для операцій абразивного відрізання

- ◆ **Не «затискайте» різальний диск та не застосовуйте надмірний тиск до інструмента.** Не намагайтесь створювати надглибокі розрізи. Надмірний тиск на диск збільшує навантаження і чутливість до заїдання або деформації диска в розрізі та можливість віддачі або поломки диска.
- ◆ **Не ставите в одну лінію з диском, що обертається, або позаду нього.** Коли диск в точці роботи рухається від вашого тіла, можлива віддача може штовхнути диск, що обертається, та інструмент на вас.
- ◆ **Якщо диск заїдає або припиняє виконувати розріз з будь-якої причини, вимкніть інструмент та утримуйте його нерухомим, доки диск не буде повністю зупинений.** Ніколи не намагайтесь витягувати диск з розрізу в момент його руху, щоб уникнути можливого ефекту віддачі. Проаналізуйте ситуацію, забезпечте виконання необхідних заходів для уникнення затиснення диска.
- ◆ **Не поновлюйте роботу інструмента в заготовці.** Дайте диску досягти повної швидкості та обережно вставте його в розпочатий розріз. Диск може бути затиснений або піднятися при поновленні роботи інструмента.
- ◆ **Опорні пластини або заготовки великого розміру можуть допомогти звести до мінімуму ризик заїдання диска та віддачі.** Великі заготовки можуть прогинатися під власною вагою. Опори необхідно розташувати під заготовкою біля лінії розрізу та біля краю заготовки з обох боків диска.

- ◆ Будьте особливо уважні під час виконання «врізання» в наявні стіни або інші місця, де не видно, що знаходиться під поверхнею. Виступаючий диск здатний розрізати газову або водяну трубу, електричні кабелі або інші предмети, що може спровокувати віддачу.

Попередження з техніки безпеки для виконання піскоструминної обробки

- ◆ Не використовуйте папір для наждакових дисків завеликого розміру. При виборі паперу для наждакових дисків дотримуйтесь рекомендацій виробників. Наждаковий папір більшого розміру, що виступає за основу для полірування, представляє небезпеку та може спричинити обдирання, розривання диску або віддачу.

Попередження з техніки безпеки для виконання полірування

- ◆ Не дозволяйте вільно обертатися частинкам, що утворюються при поліруванні, або фіксуючим пружинам. Сховайте або обріжте всі вільні фіксуєчі пружини. Вільні фіксуєчі пружини можуть заплутати ваші пальці або застрягти на заготовці.

Попередження з техніки безпеки для виконання очищення дротовою щіткою

- ◆ Не забувайте, що щетинки з дроту відлітають від щітки навіть за умови звичайної роботи. Не застосовуйте надмірного навантаження на дротову щітку. Уламки щетинок можуть легко проникнути в тонкий одяг та/або шкіру.
- ◆ Якщо захисний пристрій рекомендований для використання з дротовою щіткою, не дозволяйте контактів дротового диска або щітки з захисним пристроєм. Дротовий диск або щітка може збільшитися в діаметрі через надмірне навантаження та відцентрові сили.



Увага! Вдихання пилу, що утворюється при шліфуванні може бути небезпечним для здоров'я оператора та навіть спостерігачів. Необхідно використовувати протипилову маску, яка призначена спеціально для захисту від пилу та випаровувань, та переконайтесь, що особи, які знаходяться в робочій зоні, також використовують засоби захисту.

Безпека оточення

- ◆ Цей інструмент можуть використовувати діти віком від 8 років та особи зі зниженими фізичними, сенсорними та розумовими можливостями або з недостатнім досвідом та знаннями, якщо вони знаходяться під

наглядом та отримали інструкції щодо використання цього пристрою безпечним чином і зрозуміли можливу небезпеку.

- ◆ Не дозволяйте дітям грати з пристроєм. Не дозволяйте дітям очищувати пристрій та виконувати його технічне обслуговування.

Залишкові ризики

Під час використання інструмента можуть виникнути додаткові залишкові ризики, які не внесено до попереджень щодо техніки безпеки в цьому посібнику. Ці ризики можуть виникнути як результат неправильного використання, тривалого використання тощо.

Незважаючи на виконання всіх відповідних правил техніки безпеки та використання захисних пристроїв, неможливо уникнути деяких залишкових ризиків. Сюди належать:

- ◆ Травми через контакт з деталями, що рухаються/обертаються.
- ◆ Травми під час заміни деталей, пильних полотен або аксесуарів.
- ◆ Травми через занадто тривале використання інструменту. Під час використання будь-якого інструменту протягом тривалого періоду часу не забувайте робити регулярні перерви.
- ◆ Порушення слуху.
- ◆ Небезпека для здоров'я через вдихання пилу, що утворюється під час використання інструменту (наприклад, при роботі з деревом, особливо з дубом, буком та ДВП).

Вібрація

Значення вібрації, вказані в технічних даних та в декларації про відповідність, були виміряні з дотриманням стандартних методів тестування, наданих в EN 60745, та можуть використовуватися для порівняння одного інструменту з іншим. Задекларовані значення вібрації можна також використовувати для попередньої оцінки впливу вібрації.

Увага! Значення вібрації під час використання інструмента може відрізнятись від задекларованого в залежності від способів використання інструмента. Рівень вібрації може перевищувати вказані значення.

Оцінюючи вплив вібрації для визначення заходів безпеки за вимогами 2002/44/ЕС, щоб захистити людей, які регулярно використовують інструменти в роботі, необхідно враховувати реальні умови та способи використання інструмента, у тому числі всі періоди робочого циклу, наприклад час, коли інструмент вимкнено та коли він працює в режимі холостого ходу, а також час, потрібний для запуску інструмента.

Написи на інструменті

Наведені нижче символи нанесені на інструмент разом з кодом дати:



Увага! Щоб зменшити ризик травм, користувач повинен прочитати посібник з експлуатації.



Використовуйте захисні окуляри під час роботи з інструментом.



При роботі з даним інструментом слід використовувати засоби захисту органів слуху.

Додаткові інструкції з техніки безпеки для батарей та зарядних пристроїв

Батареї

- ◆ Ніколи не намагайтесь відкривати батарею.
- ◆ Не занурюйте батарею у воду.
- ◆ Не зберігайте у місцях, де температура може перевищувати 40 °C.
- ◆ Заряджайте лише за температури навколишнього середовища між 10 °C та 40 °C.
- ◆ Заряджайте лише за допомогою зарядного пристрою, що надається з інструментом.
- ◆ При утилізації батарей дотримуйтесь інструкцій, наведених у розділі «Захист навколишнього середовища».



Не заряджайте пошкоджені батареї.

Зарядні пристрої

- ◆ Використовуйте зарядний пристрій Stanley Fat Max лише для зарядки батарей того інструменту, з яким він продавався. Інші батареї можуть вибухнути, спричинивши травми та пошкодження.
- ◆ Ніколи не намагайтесь заряджати батареї, що не підлягають зарядці.
- ◆ негайно замінійте пошкоджений дріт живлення.
- ◆ Уникайте контакту зарядного пристрою з водою.
- ◆ Не відкривайте корпус зарядного пристрою.
- ◆ Не розбирайте зарядний пристрій.



Зарядний пристрій призначений лише для використання в приміщенні.



Прочитайте інструкції цього посібника перед використанням.

Електрична безпека



Зарядний пристрій має подвійну ізоляцію, тому заземлення непотрібне. Завжди перевіряйте відповідність джерела живлення напрузі, що вказана на табличці з паспортними даними. Ніколи не намагайтесь замінювати зарядний пристрій звичайним мережним штепселем.

- ◆ Якщо шнур живлення пошкоджений, його необхідно замінити у виробника або в офіційному сервісному центрі компанії Stanley Fat Max для уникнення небезпеки.

Компоненти

Цей пристрій має всі або деякі з нижче перерахованих компонентів.

1. Перемикач блокування
2. Тригерний перемикач
3. Бокова ручка
4. Фіксатор шпинделя
5. Захисний кожух для шліфування
6. Шліфувальний диск
7. Батарея
8. Ріжковий гайковий ключ

рис. А

9. Зарядний пристрій для батарей
10. Індикатор зарядки

Використання

Увага! Інструмент повинен працювати з рекомендованою швидкістю. Не перевантажуйте його.

- ◆ Будьте готові до появи іскор, коли шліфувальний та ріжучий диск торкається деталі.
- ◆ Завжди розміщуйте інструмент таким чином, щоб захисний кожух надавав оптимальний захист від шліфувального та ріжучого диска.

Встановлення батареї (рис. А)

Необхідно зарядити батарею перед першим використанням, а також коли вона не може забезпечити достатню потужність для виконання завдань, які легко виконувались раніше. Батарея може стати теплою під час зарядки; це нормально та не є показником проблеми.

Увага! Не заряджайте батарею за температури навколишнього середовища нижче 10 °C або вище 40 °C. Рекомендована температура зарядки: приблизно 24 °C.

Примітка. Зарядний пристрій не заряджає батарею, якщо її температура нижче приблизно 10 °C або вище 40 °C.

Батарею потрібно залишити у зарядному пристрої, який автоматично почне її заряджати, коли температура батареї підніметься або зменшиться.

- ◆ Для заряджання батареї (7) вставте її у зарядний пристрій (9). Батарею можна вставити в зарядний пристрій лише одним способом. Не прикладайте силу. Переконайтеся, що батарея вставлена в зарядний пристрій до кінця.
- ◆ Включіть зарядний пристрій у розетку мережі живлення.

Індикатор зарядки (10) почне блимати.

Заряджання завершено, коли індикатор (10) починає горіти постійно. Батарею можна залишати підключеною до зарядного пристрою на необмежений час. Індикатор буде увімкнений, коли зарядний пристрій підзаряджатиме батарею до необхідного рівня.

- ◆ Не тримайте батареї розрядженими більше 1 тижня. Термін служби батареї значно зменшується, якщо вона зберігається у незарядженому стані.

Залишення батареї в зарядному пристрої

Батареї можна залишити в зарядному пристрої на необмежений час з індикатором, який працює. Зарядний пристрій буде підтримувати батарею у повністю зарядженому стані.

Діагностика зарядного пристрою

Якщо зарядний пристрій виявляє слабку або пошкоджену батарею, індикатор зарядки (10) буде швидко миготіти червоним. Виконайте описані далі дії:

- ◆ Витягніть та вставте батарею знов (7).
- ◆ Якщо індикатор заряджання продовжує швидко блимати червоним, візьміть іншу батарею, щоб перевірити, чи правильно відбувається процес заряджання.
- ◆ Якщо інша батарея заряджається правильно, це означає, що оригінальну батарею пошкоджено, і її потрібно повернути до сервісного центру на переробку.
- ◆ Якщо нова батарея поводить себе так само, як і оригінальна, віднесіть зарядний пристрій на перевірку в один з авторизованих сервісних центрів.

Примітка. Потрібно до 30 хвилин, щоб визначити, що батарея пошкоджена. Якщо батарея занадто гаряча або холодна, індикатор буде почергово миготіти швидко та повільно червоним (одне миготіння з кожною швидкістю, а потім повтор).

Увімкнення та вимкнення

- ◆ Щоб увімкнути, перемістіть перемикач блокування (1) уперед, потім натисніть і утримуйте тригерний перемикач (2).
- ◆ Щоб вимкнути, відпустіть тригерний перемикач Увімк./Вимк. (2).

Увага! Не вмикайте і не вимикайте інструмент під навантаженням.

Увага! Завжди переміщайте перемикач блокування (1) назад у положення блокування, коли не використовуєте інструмент.

Підказки для оптимального використання

- ◆ Добре утримуйте інструмент однією рукою за бокову ручку та іншою рукою за головну ручку.

Шліфування поверхні без шліфувальних дисків

- ◆ Дозвольте інструменту досягти повної швидкості до того, як він торкнеться робочої поверхні.
- ◆ Застосовуйте мінімальний тиск до робочої поверхні, дозволяючи інструменту працювати на високій швидкості. Швидкість шліфування найбільша, коли інструмент працює на високій швидкості.
- ◆ Зберігайте кут 20° – 30° між інструментом та робочою поверхнею.
- ◆ Постійно переміщайте інструмент вперед та назад, щоб уникнути появи канавок на робочій поверхні.
- ◆ Заберіть інструмент з робочої поверхні до його вимкнення. Дозвольте інструменту повністю зупинитися перед тим, як покласти його.

Шліфування кромки без шліфувальних дисків

Диски, що використовуються для різання та шліфування кромки, можуть зламатися або спричинити віддачу, якщо вони зігнуться або скрутяться при використанні інструменту для виконання розрізів або глибокого шліфування. Щоб знизити ризик серйозних травм, використовуйте ці диски лише зі стандартним захисним кожухом Типу 27 для неглибоких розрізів та зарубок (менше 1/2 дюйма (13 мм) глибиною). Відкрита сторона захисного кожуху повинна бути спрямована від оператора. Для більш глибоких розрізів дискон Типу 1 використовуйте закритий захисний кожух Типу 1. Див. таблицю шліфування та відрізання, яку можна знайти на наприкінці мовного розділу.

- ◆ Дозвольте інструменту досягти повної швидкості до того, як він торкнеться робочої поверхні.
- ◆ Застосовуйте мінімальний тиск до робочої поверхні, дозволяючи інструменту працювати на високій швидкості. Швидкість шліфування найбільша, коли інструмент працює на високій швидкості.
- ◆ Відкрита нижня частина диска повинна бути спрямована від вас.
- ◆ Коли інструмент розпочав робити розріз та в заготовці вже зроблена канавка, не змінюйте кут різання. Зміна кута може призвести до згинання диска та спричинити його поломку. Диски для шліфування кромки не витримують бокового тиску, що спричиняється згинанням.
- ◆ Заберіть інструмент з робочої поверхні до його вимкнення. Дозвольте інструменту повністю зупинитися перед тим, як покласти його.

не використовуйте диски для шліфування/розрізання кромки для шліфування поверхні, тому що вони не розраховані на боковий тиск, що виникає при шліфуванні поверхні. Це може призвести до поломки диску та травми.

Шліфування поверхні за допомогою шліфувальних коліс

- ◆ Дозвольте інструменту досягти повної швидкості до того, як він торкнеться робочої поверхні.
- ◆ Застосовуйте мінімальний тиск до робочої поверхні, дозволяючи інструменту працювати на високій швидкості. Швидкість обробки найбільша, коли інструмент працює на високій швидкості.
- ◆ Зберігайте кут 5° – 10° між інструментом та робочою поверхнею.
- ◆ Постійно переміщайте інструмент вперед та назад, щоб уникнути появи канавок на робочій поверхні.
- ◆ Заберіть інструмент з робочої поверхні до його вимкнення. Дозвольте інструменту повністю зупинитися перед тим, як покласти його.

Використання опорних прокладок для зачищення

Оберіть опорні прокладки для піскоструминної обробки, що підходять для вашої задачі. Диски для зачищення доступні різної зернистості. Диски з грубою зернистістю швидше знімають матеріал та забезпечують більш грубу обробку.

Диски з меншою зернистістю повільніше знімають матеріал та забезпечують більш гладку обробку.

Починайте з дисків великої зернистості для швидкого грубого зняття матеріалу. Потім перейдіть на диск з середньою зернистістю та завершіть диском з мількою зернистістю для отримання оптимального результату.

- ◆ Велика зернистість 16 – 30
- ◆ Середня зернистість 36 – 80
- ◆ Мала зернистість 100 – 120
- ◆ Дуже мала зернистість 150 – 180
- ◆ Дозвольте інструменту досягти повної швидкості до того, як він торкнеться робочої поверхні.
- ◆ Застосовуйте мінімальний тиск до робочої поверхні, дозволяючи інструменту працювати на високій швидкості. Швидкість обробки найбільша, коли інструмент працює на високій швидкості.
- ◆ Зберігайте кут 5° – 15° між інструментом та робочою поверхнею. Диск піскоструминної обробки повинен торкатися приблизно одного дюйму (25 мм) робочої поверхні.
- ◆ Постійно переміщайте інструмент по прямій лінії, щоб уникнути займання та закручування робочої поверхні. Якщо покласти інструмент на робочу поверхню без руху або якщо переміщати інструмент круговими рухами, це може спричинити займання або закручування робочої поверхні.
- ◆ Заберіть інструмент з робочої поверхні до його вимкнення. Дозвольте інструменту повністю зупинитися перед тим, як покласти його.

Використання дископодібних дротових щіток і інших щіток, що зачищають

Дископодібні дротові щітки та інші щітки можна використовувати для зняття іржі, нагару та фарби, а також для вирівнювання нерівної поверхні.

Примітка. При зніманні фарби щіткою потрібно дотримуватися таких самих застережних заходів, як і при шліфуванні фарбованої поверхні.

- ◆ Дозвольте інструменту досягти повної швидкості до того, як він торкнеться робочої поверхні.
- ◆ Застосовуйте мінімальний тиск до робочої поверхні, дозволяючи інструменту працювати на високій швидкості. Швидкість зняття матеріалу найбільша, коли інструмент працює на високій швидкості.
- ◆ Зберігайте кут 5° – 10° між інструментом та робочою поверхнею при роботі із зачищаючими щітками, як показано на малюнку 1.
- ◆ Край дископодібних дротових щіток повинен торкатися робочої поверхні.
- ◆ Постійно переміщайте інструмент вперед та назад, щоб уникнути появи канавок на робочій поверхні. Якщо покласти інструмент на робочу поверхню без руху або якщо переміщати інструмент круговими рухами, це може спричинити займання або закручування робочої поверхні.
- ◆ Заберіть інструмент з робочої поверхні до його вимкнення. Дозвольте інструменту повністю зупинитися перед тим, як покласти його.

Будьте особливо уважні під час роботи з кромкою, тому що шліфувальний інструмент може різко зміститися.

Застереження при шліфуванні або зніманні фарби

- ◆ Шліфування поверхні з фарбою, що містить свинець, НЕ РЕКОМЕНДУЄТЬСЯ через складність контролю забрудненого пилу. Найбільш небезпечним отруєнням свинцем є для дітей та вагітних жінок.
- ◆ Оскільки без хімічного аналізу важко визначити, чи містить фарба свинець, ми рекомендуємо нижченаведені застережні заходи при обробці фарбованої поверхні.

Особиста безпека

- ◆ Діти та вагітні жінки не повинні знаходитися в робочій зоні при обробці фарбованих поверхонь до завершення прибирання.
- ◆ Слід вдягнути протипилову маску або респіратор під час входу в робочу зону. Фільтр слід міняти щоденно або якщо оператору важко дихати.

Примітка. слід використовувати лише протипилові маски, що розраховані для роботи при наявності пилу або випаровувань фарби, що містить свинець. Звичайні маски для фарбування не надають такого захисту. Зверніться до

свого місцевого дилера для отримання відповідних засобів для захисту дихальних шляхів.

- ◆ У робочій зоні заборонено ЇСТИ, ПИТИ та ПАЛИТИ, щоб уникнути потрапляння частинок фарби в організм. Робочі повинні помитися ПЕРЕД тим, як їсти, пити або палити. Їжу, напої та цигарки не слід залишати у робочій зоні, де на них може потрапити пил.

Безпека навколишнього середовища

- ◆ Фарбу слід знімати так, щоб звести до мінімуму утворення пилу.
- ◆ Зони, де знімається фарба, слід закрити листами пластику товщиною 4 міл.
- ◆ Обробку наждаком слід виконувати так, щоб скоротити потрапляння пилу за межі робочої зони.

Очищення та утилізація

- ◆ Всі поверхні робочої зони потрібно щоденно чистити пилосмоком ти та ретельно мити протягом всього процесу обробки. Фільтруючі мішки пилососа потрібно часто міняти.
- ◆ Пластикові панелі потрібно збирати та утилізувати разом з пилом та іншим сміттям. Їх потрібно помістити у закритий контейнер для сміття та викинути звичайним способом збирання сміття. Під час прибирання діти та вагітні жінки повинні знаходитись подалі від робочої зони.
- ◆ Всі іграшки, меблі та посуд, що використовуються дітьми, потрібно ретельно помити перед наступним використанням.

Використання ріжучих дисків

не використовуйте диски для шліфування/розрізання кромки для шліфування поверхні, тому що вони не розраховані на боковий тиск, що виникає при шліфуванні поверхні. Це може призвести до поломки диску та травми.

- ◆ Дозвольте інструменту досягти повної швидкості до того, як він торкнеться робочої поверхні.
- ◆ Застосовуйте мінімальний тиск до робочої поверхні, дозволяючи інструменту працювати на високій швидкості. Швидкість різання найбільша, коли інструмент працює на високій швидкості.
- ◆ Коли інструмент розпочав роботу розріз та в заготовці вже зроблена канавка, не змінюйте кут різання. Зміна кута може призвести до згинання диска та спричинити його поломку.
- ◆ Заберіть інструмент з робочої поверхні до його вимкнення. Дозвольте інструменту повністю зупинитися перед тим, як покласти його.

Технічне обслуговування

Ваш пристрій виробництва компанії Stanley Fat Max призначений для роботи протягом довгого часу з мінімальним

обслуговуванням. Тривала задовільна робота приладу залежить від належного обслуговування приладу та регулярного його очищення.

Зарядний пристрій не вимагає технічного обслуговування, потрібно лише виконувати регулярне очищення.

Увага! Перед виконанням будь-якого технічного обслуговування інструмента зі шнуром живлення або без нього виконайте такі дії.

- ◆ Вимкніть інструмент та відключіть його від мережі живлення.
- ◆ Або вимкніть інструмент та витягніть акумулятор з нього, якщо ваш пристрій має окремий акумуляторний блок.
- ◆ Або повністю розрядіть акумулятор, якщо пристрій має вбудований акумулятор, а потім вимкніть інструмент.
- ◆ Витягніть зарядний пристрій з розетки перед очищенням. Зарядний пристрій не вимагає технічного обслуговування, потрібно лише виконувати регулярне очищення.
- ◆ Регулярно очищуйте вентиляційні отвори пристрою/інструмента/зарядного пристрою за допомогою м'якої щітки або сухої ганчірки.
- ◆ Регулярно очищайте корпус двигуна вологою ганчіркою. Не використовуйте абразивні очищувачі та засоби, що містять розчинники.
- ◆ Регулярно відкривайте затискний патрон та струшуйте його, щоб видалити пил з середини (якщо патрон наявний).

Захист навколишнього середовища



Роздільний збір. Пристрій та батареї, позначені цим символом, не можна викидати зі звичайним побутовим сміттям.

Пристрої та батареї містять матеріали, які можна відновити та переробити, що зменшить потребу у сировині.

Будь ласка, віддавайте електричні інструменти та батареї на переробку відповідно до місцевих постанов. Більш детальну інформацію можна отримати на сайті www.2helpU.com.

Технічні характеристики

		FMC761 (H1)
Напруга	V _{пост.} струму	18
Швидкість без навантаження	хв. ⁻¹	9 000
Діаметр диска	мм	125
Діаметр отвору диска	мм	22
Макс. товщина диска		
шліфувальний диск	мм	6

FMC761 (H1)			
ріжучий диск	мм		3,5
Діаметр шпинделя			M14
Довжина шпинделя (з установленим внутрішнім фланцем)	мм		14
Довжина шпинделя (без установленого внутрішнього фланця)	мм		19,5
Маса	кг		2,9

Зарядний пристрій		905998**	906086**
Вхідна напруга	V_{AC}	230	230
Вихідна напруга	$V_{пост. струму}$	18	18
Струм	A	1	2
Приблизний час першого зарядження	хв.	90 – 240	45 – 120

Батарея		FMC685L	FMC687L	FMC688L
Напруга	V_{AC}	18	18	18
Ємність	ам-пер-го-дин	1,5	2,0	4,0
Тип		Літій-іонна	Літій-іонна	Літій-іонна

Рівень звукового тиску згідно з EN 60745:	
Звуковий тиск (L_{pA})	80,5 дБ(A), похибка (K) 3 дБ(A)
Звукова потужність (L_{WA})	91,5 дБ(A), похибка (K) 3 дБ(A)

Загальні значення вібрації (векторна сума трьох векторів) згідно з EN 60745:	
Шліфування поверхні ($a_{h,SD}$)	3,9 м/с ² , похибка (K) 1,5 м/с ²
Полірування ($a_{h,p}$)	2,0 м/с ² , похибка (K) 1,5 м/с ²
Піскоструминна обробка ($a_{h,DS}$)	4,5 м/с ² , похибка (K) 1,5 м/с ²

ОБЕРЕЖНО! При застосуванні інструменту для розрізання або очищення дротоною щіткою значення вібрації може відрізнятися.

Декларація про відповідність нормам ЄС

ДИРЕКТИВА ДЛЯ МЕХАНІЧНОГО ОБЛАДНАННЯ



FMC761 – Акумуляторний кутовий шліфувальний станок

Компанія Stanley Fat Max заявляє, що продукти, описані у розділі «Технічні дані» відповідають вимогам: EN60745-1:2009+A11:2010, EN60745-2-3:2011+A12:2014

Ці продукти також відповідають Директивам 2006/42/EC, 2014/30/EU і 2011/65/EU.

Для отримання додаткової інформації, будь ласка, зверніться до компанії Stanley Fat Max за наведеною нижче

адресою або прочитайте інформацію на зворотному боці цього посібника.

Особа, яка підписалася нижче, несе відповідальність за упорядкування файлу технічних характеристик та робить цю заяву від компанії Stanley Fat Max.

Р. Лаверік (R. Laverick),
Технічний директор

Stanley Fat Max Europe, Egide Walschaertsstraat14-18,
2800 Mechelen, Бельгія
06/02/2020

Гарантія

Компанія Stanley Fat Max впевнена в якості своєї продукції та пропонує споживачам гарантію тривалістю 12 місяці з дати покупки. Ця гарантія доповнює і жодним чином не обмежує ваші законні права. Ця гарантія є чинною на території країн-членів Європейського Союзу та в європейській зоні вільної торгівлі.

Позив за гарантією повинен відповідати умовам компанії Stanley Fat Max, при цьому вам необхідно буде надати доказ покупки продавцю або спеціалісту офіційного сервісного центру. Умови 1-річної гарантії компанії Stanley Fat Max та місцезнаходження найближчого сервісного центру можна дізнатися в інтернеті на сайті www.2helpU.com або звернутися до місцевого представництва компанії Stanley Fat Max за адресою, вказаною у цьому керівництві.

Відвідайте наш сайт www.stanley.eu/3, щоб зареєструвати свій новий продукт Stanley Fat Max та отримувати інформацію про нові продукти та спеціальні пропозиції.



Виробник:
"Stanley Black & Decker Deutschland
GmbH" Black-&-Decker Str.40, D-65510
Idstein, Німеччина

STANLEY
FATMAX

ГАРАНТІЙНИЙ ТАЛОН

3 РОКИ
ГАРАНТІЇ

1. Вітаємо Вас з покупкою високоякісного виробу Stanley FATMAX і висловлюємо вдячність за Ваш вибір.
2. При покупці виробу вимагайте перевірки його комплектності і справності у Вашій присутності, інструкцію з експлуатації та заповнений гарантійний талон українською мовою. В гарантійному талоні повинні бути внесені: модель, дата продажу, серійний номер, дата виробництва інструменту, назва, печатка і підпис торгової організації. За відсутності у Вас правильно заповненого гарантійного талону, а також при невідповідності зазначених у ньому даних ми будемо змушені відхилити Ваші претензії щодо якості даного виробу.
3. Щоб уникнути непорозумінь, переконливо просимо Вас перед початком роботи з виробом уважно ознайомитися з інструкцією з його експлуатації. Правовою основою справжніх гарантійних умов є чинне Законодавство. Гарантійний термін на даний виріб складає 36 місяці і обчислюється з дня продажу. У разі усунення недоліків виробу, гарантійний строк продовжується на період його перебування в ремонті. Термін служби виробу становить 5 років з дня продажу.
4. У разі виникнення будь-яких проблем у процесі експлуатації виробу рекомендуємо Вам звертатися тільки в уповноважені сервісні центри Stanley FATMAX, адреси та телефони яких Ви зможете знайти в гарантійному талоні, на сайті www.2helpU.com або дізнатися в магазині. Наші сервісні станції - це не тільки кваліфікований ремонт, але і широкий асортимент запчастин і аксесуарів.
5. Виробник рекомендує проводити періодичну перевірку у технічне обслуговування виробу в уповноважених сервісних центрах.
6. Наші гарантійні зобов'язання поширюються тільки на несправності, виявлені протягом гарантійного терміну і викликані дефектами виробництва та \ або матеріалів.
7. Гарантійні умови не поширюються на несправності виробу, що виникли в результаті:
 - 7.1. Недотримання користувачем приписів інструкції з експлуатації виробу, застосування виробу не за призначенням, неправильного зберігання, використання приладдя, витратних матеріалів і запчастин, що не передбачені виробником.
 - 7.2. Механічного пошкодження (відколи, тріщини і руйнування) внутрішніх і зовнішніх деталей виробу, основних і допоміжних рукояток, мережевого кабелю, що викликані зовнішнім ударним або будь-яким іншим впливом
 - 7.3. Потраплення у вентиляційні отвори та проникнення всередину виробу сторонніх предметів, матеріалів або речовин, що не є відходами, які супроводжують застосування виробу за призначенням, такими як: стружка, тирса, пісок, та ін.
 - 7.4. Впливу на виріб несприятливих атмосферних і інших зовнішніх факторів, таких як дощ, сніг, підвищена вологість, нагрівання, агресивні середовища, невідповідність параметрів електромережі, що зазначені на інструменті.
 - 7.5. Стихійного лиха. Пошкодження або втрати виробу, що пов'язані з непередбаченими лихами, стихійними явищами, у тому числі внаслідок дії непереборної сили (пожежа, блискавка, потоп і інші природні явища), а також внаслідок перепадів напруги в електромережі та іншими причинами, які знаходяться поза контролем виробника.
8. Гарантійні умови не поширюються:
 - 8.1. На інструменти, що піддавались розкриттю, ремонту або модифікації поза уповноваженим сервісним центром.
 - 8.2. На деталі, вузли та матеріали, що мають сліди природного зносу, такі як: приводні ремені і колеса, вугільні щітки, мастило, підшипники, зубчасті зчеплення редукторів, гумові ущільнення, сальники, направляючі ролики, муфти, вимикачі, бойки, штовхачі, стволи тощо.
 - 8.3. На змінні частини: патрони, цанги, затискні гайки і фланці, фільтри, ножі, шліфувальні підшви, ланцюги, зірочки, пильні шини, захисні кожухи, пилки, абразиви, пильні і абразивні диски, фрези, свердла, бури тощо
 - 8.4. На несправності, що виникли в результаті перевантаження інструменту (як механічного, так і електричного), що спричинили вихід з ладу одночасно двох і більше деталей і вузлів, таких як: ротора і статора, обох обмоток статора, веденої і ведучої шестерень редуктора або інших вузлів і деталей. До безумовних ознак перевантаження виробу відносяться, крім інших: поява кольорів мільності, деформація або оплавлення деталей і вузлів виробу, потемніння або обуглювання ізоляції проводів електродвигуна під впливом високої температури.

Товар отриманий в справному стані, без видимих ушкоджень, в повній комплектації, перевірений у моєї присутності, претензій щодо якості товару не маю. З умовами гарантійного обслуговування ознайомлений і згоден.

П. І. Б. та підпис власника _____

Шановні клієнти, наша мережа авторизованих сервісних центрів постійно розширюється. Актуальну інформацію про обслуговування в місті, що цікавить вас, ви можете дізнатися на сайті

www.2helpU.com

Редакція ВК/16-04-2018

Інформація про інструмент

Найменування інструменту	
Модель	
Найменування продавця	
Дата продажу	

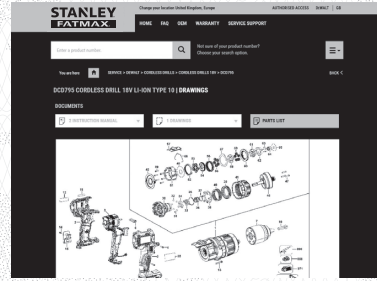
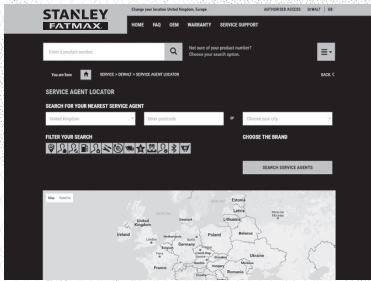
М.П.
Продавця

Серійний номер/Дата виробництва

Інструмент	
Зарядний пристрій	
Акумулятор 1	
Акумулятор 2	

На сайті www.2helpU.com доступні наступні функції:

- Список авторизованих сервісних центрів
- Зручний пошук найближчого сервісного центру
- Керівництво з експлуатації
- Технічні характеристики
- Список деталей і запасних частин
- Схема складання інструменту



Також дану інформацію ви можете отримати, зателефонувавши за номером:
0 (800) 211 521 в Україні

ВІДМІТКА ПРО ПРОВЕДЕННЯ СЕРВІСНОГО ОБСЛУГОВУВАННЯ

№1	№2	№3	№4
№ замовлення	№ замовлення	№ замовлення	№ замовлення
Дата прийому	Дата прийому	Дата прийому	Дата прийому
Дата ремонту	Дата ремонту	Дата ремонту	Дата ремонту
Печатка і підпис сервісного центру	Печатка і підпис сервісного центру	Печатка і підпис сервісного центру	Печатка і підпис сервісного центру



