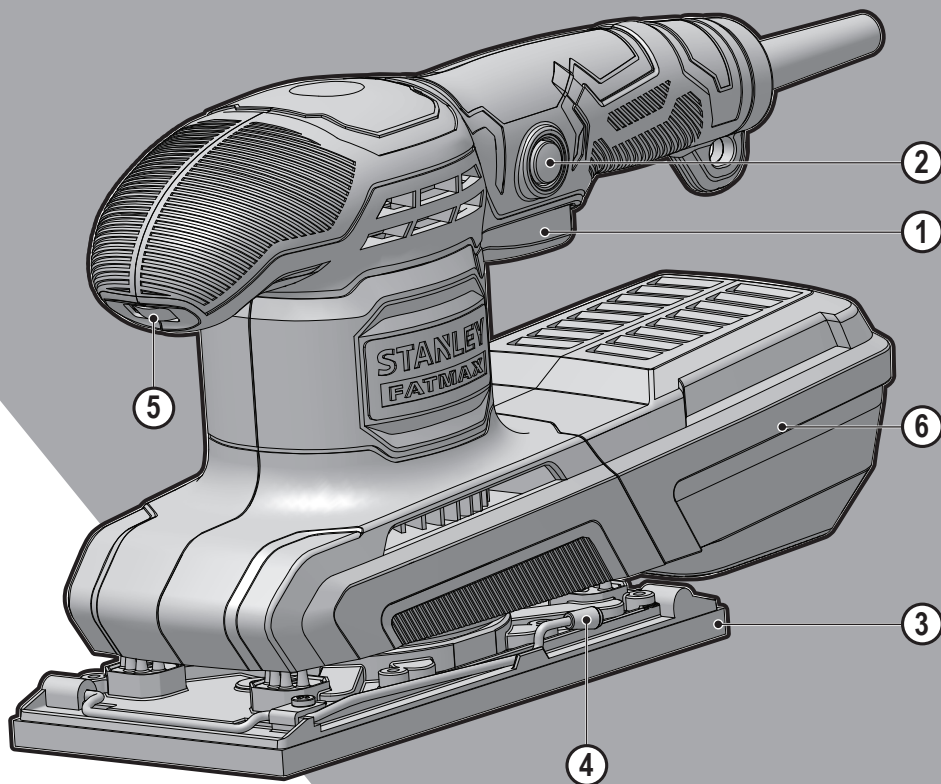


STANLEY®

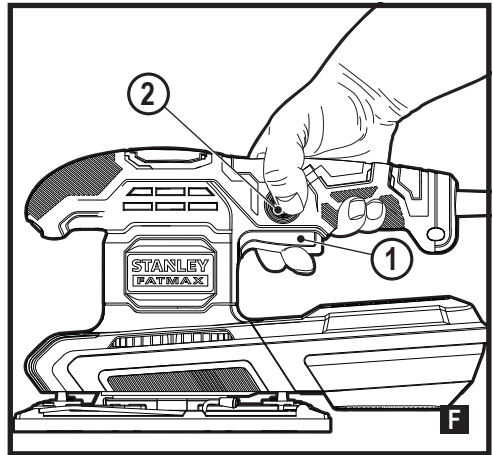
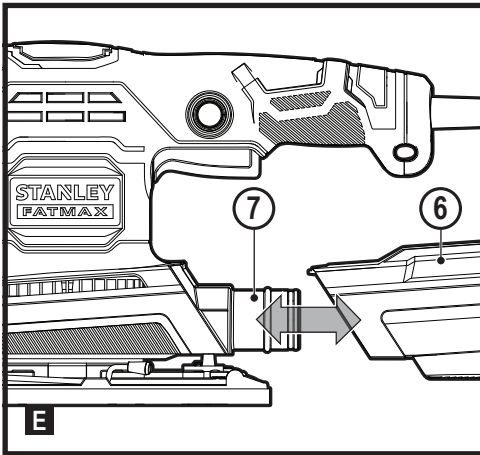
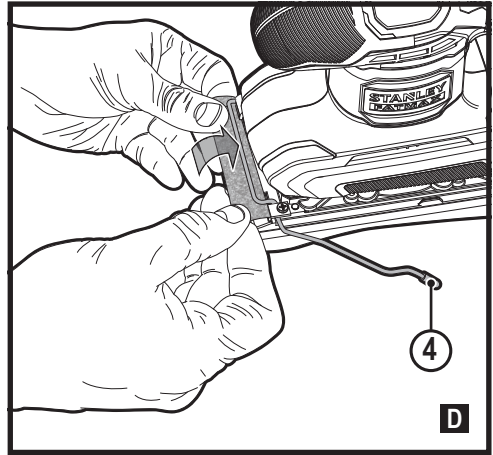
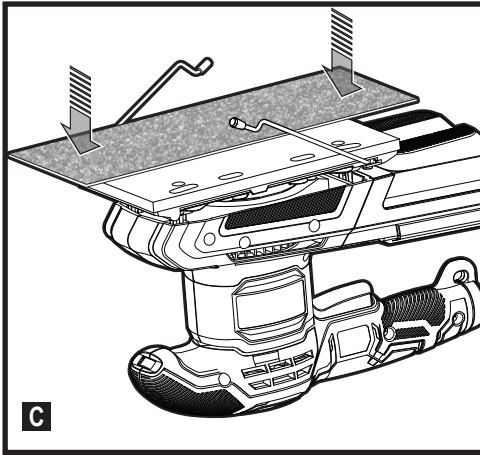
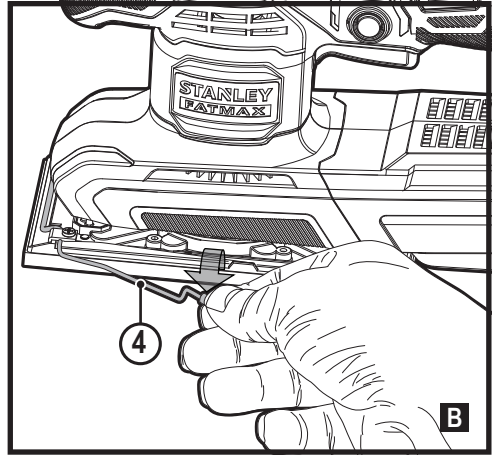
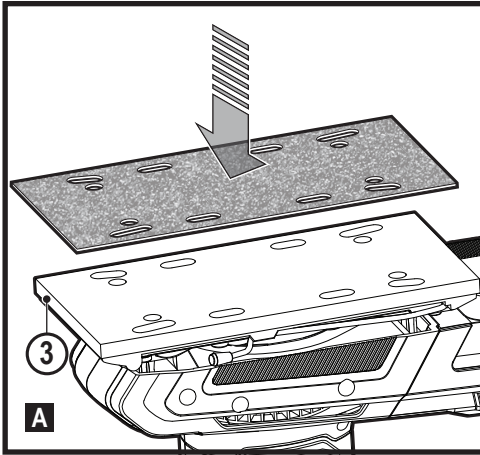
FATMAX®

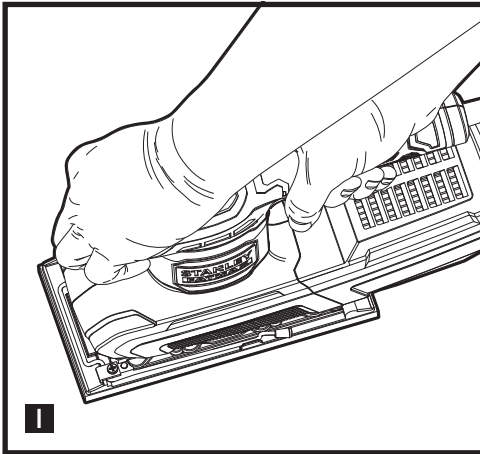
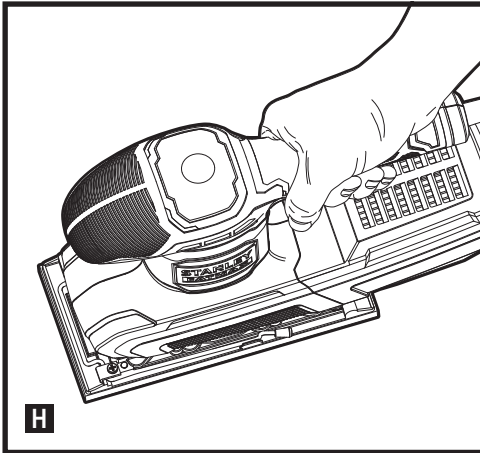
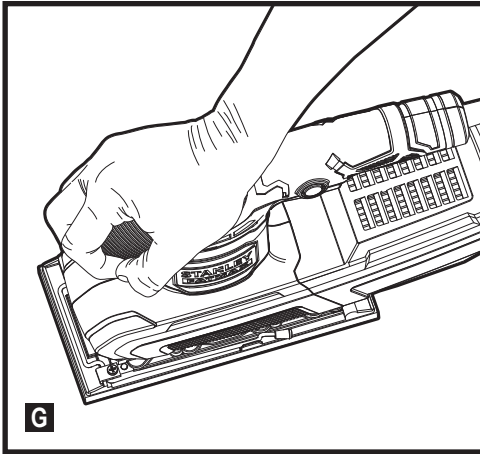
EN



www.stanley.eu

KFFMEW210
FMEW214





Intended use

Your FMEW214, KFFMEW210 Stanley Fat Max sanders have been designed for sanding wood, plastics and painted surfaces. These tools are intended for professional and private, non professional users.

Safety instructions

General power tool safety warnings



Warning! Read all safety warnings, instructions, illustrations and specifications provided with this power tool. Failure to follow the warnings and instructions listed below may result in electric shock, fire and/or serious injury.

Save all warnings and instructions for future reference.

The term "power tool" in all of the warnings listed below refers to your mains operated (corded) power tool or battery operated (cordless) power tool.

1. Work area safety

- a. **Keep work area clean and well lit.** Cluttered or dark areas invite accidents.
- b. **Do not operate power tools in explosive atmospheres, such as in the presence of flammable liquids, gases or dust.** Power tools create sparks which may ignite the dust or fumes.
- c. **Keep children and bystanders away while operating a power tool.** Distractions can cause you to lose control.

2. Electrical safety

- a. **Power tool plugs must match the outlet. Never modify the plug in any way. Do not use any adapter plugs with earthed (grounded) power tools.** Unmodified plugs and matching outlets will reduce risk of electric shock.
- b. **Avoid body contact with earthed or grounded surfaces such as pipes, radiators, ranges and refrigerators.** There is an increased risk of electric shock if your body is earthed or grounded.
- c. **Do not expose power tools to rain or wet conditions.** Water entering a power tool will increase the risk of electric shock.
- d. **Do not abuse the cord. Never use the cord for carrying, pulling or unplugging the power tool. Keep cord away from heat, oil, sharp edges or moving parts.** Damaged or entangled cords increase the risk of electric shock.
- e. **When operating a power tool outdoors, use an extension cord suitable for outdoor use.** Use of a cord suitable for outdoor use reduces the risk of electric shock.
- f. **If operating a power tool in a damp location is unavoidable, use a residual current device (RCD) protected supply.** Use of an RCD reduces the risk of electric shock.

3. Personal safety

- a. **Stay alert, watch what you are doing and use common sense when operating a power tool. Do not use a power tool while you are tired or under the influence of drugs, alcohol or medication.** A moment of inattention while operating power tools may result in serious personal injury.
- b. **Use personal protective equipment. Always wear eye protection.** Protective equipment such as dust mask, non-skid safety shoes, hard hat, or hearing protection used for appropriate conditions will reduce personal injuries.
- c. **Prevent unintentional starting. Ensure the switch is in the off-position before connecting to power source and/or battery pack, picking up or carrying the tool.** Carrying power tools with your finger on the switch or energising power tools that have the switch on invites accidents.
- d. **Remove any adjusting key or wrench before turning the power tool on.** A wrench or a key left attached to a rotating part of the power tool may result in personal injury.
- e. **Do not overreach. Keep proper footing and balance at all times.** This enables better control of the power tool in unexpected situations.
- f. **Dress properly. Do not wear loose clothing or jewellery. Keep your hair, clothing and gloves away from moving parts.** Loose clothes, jewellery or long hair can be caught in moving parts.
- g. **If devices are provided for the connection of dust extraction and collection facilities, ensure these are connected and properly used.** Use of dust collection can reduce dust-related hazards.
- h. **Do not let familiarity gained from frequent use of tools allow you to become complacent and ignore tool safety principles.** A careless action can cause severe injury within a fraction of a second.

4. Power tool use and care

- a. **Do not force the power tool. Use the correct power tool for your application.**
The correct power tool will do the job better and safer at the rate for which it was designed.
- b. **Do not use the power tool if the switch does not turn it on and off.** Any power tool that cannot be controlled with the switch is dangerous and must be repaired.
- c. **Disconnect the plug from the power source and/or the battery pack from the power tool before making any adjustments, changing accessories, or storing power tools.** Such preventive safety measures reduce the risk of starting the power tool accidentally.
- d. **Store idle power tools out of the reach of children and do not allow persons unfamiliar with the power tool or these instructions to operate the power tool.**

Power tools are dangerous in the hands of untrained users.

- e. **Maintain power tools and accessories. Check for misalignment or binding of moving parts, breakage of parts and any other condition that may affect the power tools operation. If damaged, have the power tool repaired before use.** Many accidents are caused by poorly maintained power tools.
- f. **Keep cutting tools sharp and clean.** Properly maintained cutting tools with sharp cutting edges are less likely to bind and are easier to control.
- g. **Use the power tool, accessories and tool bits etc. in accordance with these instructions, taking into account the working conditions and the work to be performed.** Use of the power tool for operations different from those intended could result in a hazardous situation.
- h. **Keep handles and grasping surfaces dry, clean and free from oil and grease.**
Slippery handles and grasping surfaces do not allow for safe handling and control of the tool in unexpected situations.

5. Service

- a. **Have your power tool serviced by a qualified repair person using only identical replacement parts.**
This will ensure that the safety of the power tool is maintained.

Additional power tool safety warnings



Warning! Additional safety warnings for sanders

- ◆ **Hold the power tool by insulated gripping surfaces, because the sanding surface may contact its own cord.** Cutting a "live" wire may make exposed metal parts of the power tool "live" and could give the operator an electric shock.
- ◆ **Use clamps or another practical way to secure and support the workpiece to a stable platform.** Holding the work by hand or against your body leaves it unstable and may lead to loss of control.
- ◆ **Warning! Contact with or inhalation of dusts arising from sanding applications may endanger the health of the operator and possible bystanders.** Wear a dust mask specifically designed for protection against dust and fumes and ensure that persons within or entering the work area are also protected.
- ◆ **Thoroughly remove all dust after sanding.**
- ◆ **Take special care when sanding paint which is possibly lead based or when sanding some woods and metal which may produce toxic dust:**
 - ◆ Do not let children or pregnant women enter the

work area.

- ◆ Do not eat, drink or smoke in the work area.
- ◆ Dispose of dust particles and any other debris safely.
- ◆ The intended use is described in this instruction manual.

The use of any accessory or attachment or performance of any operation with this tool other than those recommended in this instruction manual may present a risk of personal injury and/or damage to property.

Safety of others

- ◆ This appliance is not intended for use by persons (including children) with reduced physical, sensory or mental capabilities, or lack of experience and knowledge, unless they have been given supervision or instruction concerning use of the appliance by a person responsible for their safety.
- ◆ Children should be supervised to ensure that they do not play with the appliance.

Residual risks.

Additional residual risks may arise when using the tool which may not be included in the enclosed safety warnings. These risks can arise from misuse, prolonged use etc.

Even with the application of the relevant safety regulations and the implementation of safety devices, certain residual risks can not be avoided. These include:

- ◆ Injuries caused by touching any rotating/moving parts.
- ◆ Injuries caused when changing any parts, blades or accessories.
- ◆ Injuries caused by prolonged use of a tool. When using any tool for prolonged periods ensure you take regular breaks.
- ◆ Impairment of hearing.
- ◆ Health hazards caused by breathing dust developed when using your tool (example:- working with wood, especially oak, beech and MDF.)

Vibration

The declared vibration emission values stated in the technical data and the declaration of conformity have been measured in accordance with a standard test method provided by EN62841 and may be used for comparing one tool with another. The declared vibration emission value may also be used in a preliminary assessment of exposure.

Warning! The vibration emission value during actual use of the power tool can differ from the declared value depending on the ways in which the tool is used. The vibration level may increase above the level stated.

When assessing vibration exposure to determine safety measures required by 2002/44/EC to protect persons regularly using power tools in employment, an estimation of vibration

exposure should consider, the actual conditions of use and the way the tool is used, including taking account of all parts of the operating cycle such as the times when the tool is switched off and when it is running idle in addition to the trigger time.

Labels on tool

The following symbols are shown on the tool, along with the date code:



Warning! To reduce the risk of injury, the user must read the instruction manual.

Electrical safety

This tool is double insulated; therefore no earth wire is required. Always check that the power supply corresponds to the voltage on the rating plate.

- ◆ If the replacement of the supply cord is necessary, this has to be done by the manufacturer or authorised Stanley FatMax Service Centre in order to avoid a safety hazard.

Features

This tool includes some or all of the following features.

1. On/off switch
2. Lock on button
3. Sanding base
4. Paper clamp lever
5. Variable speed control knob
6. Dust cannister

Assembly

Warning! Before assembly, make sure that the tool is switched off and unplugged.

Fitting sanding sheets (fig. A, B, C, D)

Warning! Never use the tool without a sanding sheet or accessory in place.

Fitting sanding sheets with nylon loops (fig. A)

- ◆ Make sure that the tool is switched off and unplugged.
- ◆ Press the sheet firmly and evenly onto the sanding base (3).

Fitting regular sanding sheets (fig. B, C, D)

- ◆ Make sure that the tool is switched off and unplugged.
- ◆ Soften the sanding sheet by rubbing its non-abrasive side over the edge of a worktop.
- ◆ Press the paper clamp levers (4) upwards to release them from the retaining grooves and open the paper clamps by pressing them down (fig. B).
- ◆ Place the sheet onto the sanding base (3) (fig. C).
- ◆ Insert the edge of the sanding sheet into the front paper clamp as shown (fig. D).

- ◆ Press the front paper clamp lever (4) downwards and locate it in the retaining groove.
- ◆ While keeping a slight tension on the sheet, insert the rear edge of the sheet into the rear paper clamp.
- ◆ Press the rear paper clamp lever (4) downwards and locate it in the retaining groove.

Fitting and removing the dust cannister (fig. E)

- ◆ Fit the dust cannister (6) over the dust extraction outlet (7).
- ◆ Slide the dust cannister onto the tool and make sure that it is securely located.
- ◆ To remove the dust cannister, pull it to the rear and off the outlet.

Use

Warning! Let the tool work at its own pace. Do not overload.

Warning! Do not cover the ventilation slots when using the tool. Make sure that the sanding base is flat on the workpiece.

Variable speed control

The variable speed control allows you to adapt the speed of the tool to the workpiece material.

- ◆ Set the control knob (5) to the desired setting. Use a high speed for wood, medium speed for veneer and synthetics and low speed for acrylic glass and for removing paints

Switching on and off (fig. F)

- ◆ To switch the tool on, press the on/off switch (1).
- ◆ For continuous operation, press the lock-on button (2) and release the on/off switch.
- ◆ To switch the tool off, release the on/off switch. To switch the tool off when in continuous operation, press the on/off switch once more and release it.

Emptying the dust cannister

The dust cannister (2) should be emptied after every ten minutes of use.

- ◆ Pull the dust cannister (6) to the rear and off the tool away from the connection port.
- ◆ Empty into a suitable receptacle and replace on tool.

Hints for optimum use

- ◆ For user comfort, the tool can be operated with one or two hands (fig. G, H, I). Do not place your hands over the ventilation slots.
- ◆ Do not exert too much pressure on the tool.
- ◆ Regularly check the condition of the sanding sheet. Replace when necessary.
- ◆ Always sand with the grain of the wood.
- ◆ When sanding new layers of paint before applying another layer, use extra fine grit.

- ◆ On very uneven surfaces, or when removing layers of paint, start with a coarse grit. On other surfaces, start with a medium grit. In both cases, gradually change to a fine grit for a smooth finish.
- ◆ Consult your retailer for more information on available accessories.

Maintenance

Your Stanley Fat Max tool has been designed to operate over a long period of time with a minimum of maintenance. Continuous satisfactory operation depends upon proper tool care and regular cleaning.

Warning! Before performing any maintenance on the tool, remove unplug the charger before cleaning it.

- ◆ Regularly clean the ventilation slots in your tool using a soft brush or dry cloth.
- ◆ Regularly clean the motor housing using a damp cloth. Do not use any abrasive or solvent-based cleaner.

Mains plug replacement (U.K. & Ireland only)

If a new mains plug needs to be fitted:

- ◆ Safely dispose of the old plug.
- ◆ Connect the brown lead to the live terminal in the new plug.
- ◆ Connect the blue lead to the neutral terminal.

Warning! No connection is to be made to the earth terminal. Follow the fitting instructions supplied with good quality plugs. Recommended fuse: 5 A.

Protecting the environment



Separate collection. Products and batteries marked with this symbol must not be disposed of with normal household waste.

Products and batteries contain materials that can be recovered or recycled reducing the demand for raw materials. Please recycle electrical products and batteries according to local provisions. Further information is available at www.2helpU.com

Technical data

		KFFMEW210	FMEW214
Input voltage	V _{AC}	230	230
Power input	W	280	280
Oscillations (no load)	min ⁻¹	24000	24000
Orbits (no load)	min ⁻¹	12000	12000
Sanding base surface	mm	187 x 90	187 x 90
Weight	kg	2.0	2.0

Level of sound pressure according to EN 62841:

KFFMEW210 Sound pressure (L_{pa}) 85 dB(A), uncertainty (K) 3 dB(A)
FMEW214 Sound pressure (L_{pa}) 85 dB(A), uncertainty (K) 3 dB(A)

Level of sound pressure according to EN 62841:

KFFMEW210 Sound power (L_{WA}) 96 dB(A), uncertainty (K) 3 dB(A)
 FMEW214 Sound power (L_{WA}) 96 dB(A), uncertainty (K) 3 dB(A)

Vibration total values (triax vector sum) according to EN 62841:

KFFMEW210 (a) 6 m/s², uncertainty (K) 1.5 m/s²
 FMEW214 (a) 6 m/s², uncertainty (K) 1.5 m/s²

EC declaration of conformity
 MACHINERY DIRECTIVE



KFFMEW210, FMEW214 Sander

Stanley Europe declares that these products described under "technical data" are in compliance with:
 2006/42/EC, EN62841-1:2015, EN62841-2-4:2014.

These products also comply with Directive 2014/30/EU and 2011/65/EU. For more information, please contact Stanley Europe at the following address or refer to the back of the manual.

The undersigned is responsible for compilation of the technical file and makes this declaration on behalf of Stanley FatMax.

R. Laverick
 Director of Engineering
 Stanley Europe, Egide Walschaertsstraat14-18,
 2800 Mechelen, Belgium
 28/08/2018

Guarantee

Stanley Fat Max is confident of the quality of its products and offers consumers a 12 month guarantee from the date of purchase. This guarantee is in addition to and in no way prejudices your statutory rights. The guarantee is valid within the territories of the Member States of the European Union and the European Free Trade Area.

To claim on the guarantee, the claim must be in accordance with Stanley Fat Max Terms and Conditions and you will need to submit proof of purchase to the seller or an authorised repair agent. Terms and conditions of the Stanley Fat Max 1 year guarantee and the location of your nearest authorised repair agent can be obtained on the Internet at www.2helpU.com, or by contacting your local Stanley Fat Max office at the address indicated in this manual.

Please visit our website www.stanley.eu/3 to register your new Stanley Fat Max product and receive updates on new products and special offers.

United Kingdom

Stanley Fat Max
210 Bath Road
Slough, Berkshire SL1 3YD

Tel. 01753 511234
Fax 01753 572112
www.stanleytools.co.uk