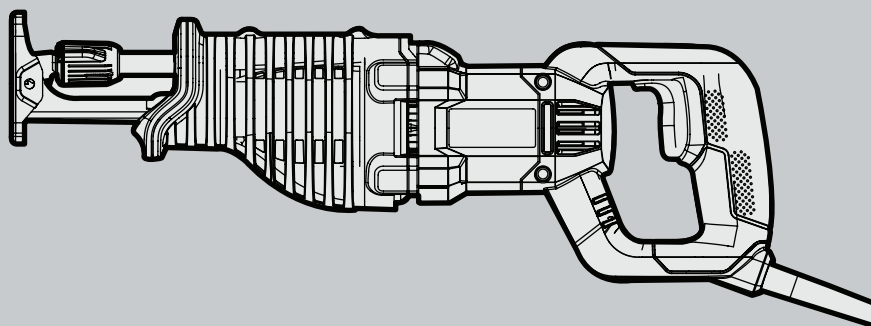


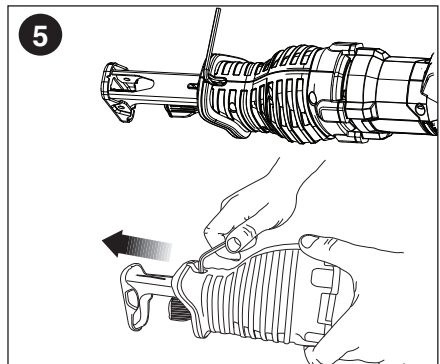
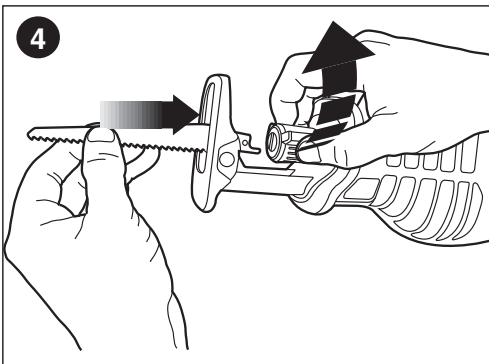
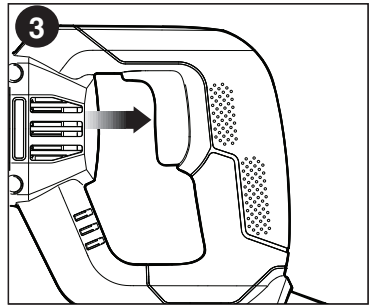
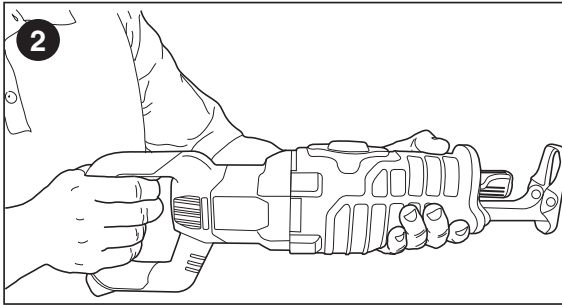
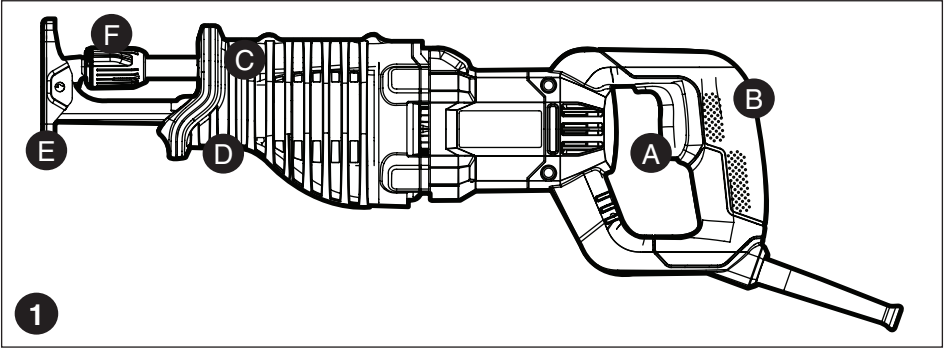
# STANLEY

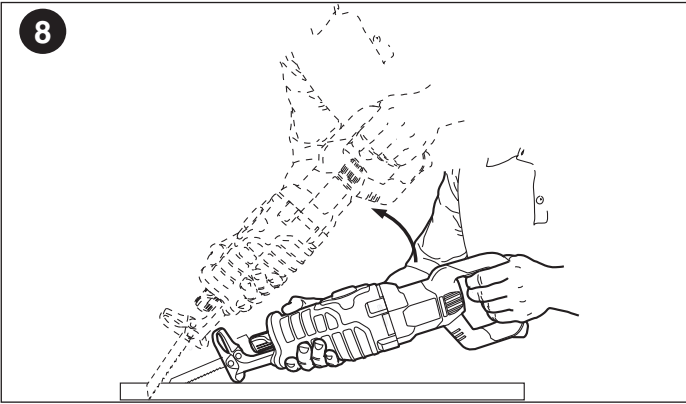
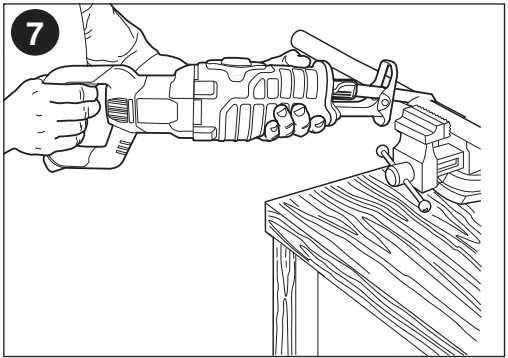
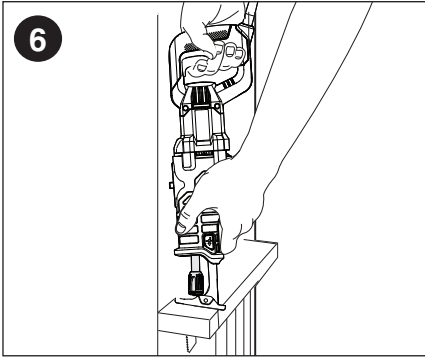


**STEL365**

**English**  
**繁體中文**

**3**  
**8**





## STEL365 Reciprocating Saw

### TECHNICAL DATA

SPECIFICATION		STEL365
POWER	W	900
VOLTAGE	V	110
NO-LOAD SPEED	/min	0-3200
Weight	KG	3.2

### INTENDED USE

Your Stanley hand-held saw has been designed for sawing wood, plastics and sheet metal.

### GENERAL SAFETY RULES

**Warning! Read all instructions.** Failure to follow all instructions listed below may result in electric shock, fire and/or serious injury. The term “power tool” in all of the warnings listed below refers to your mains operated (corded) power tool or battery operated (cordless) power tool.

### SAVE THESE INSTRUCTIONS

1. **Work area**
  - a. **Keep work area clean and well lit.** Cluttered and dark areas invite accidents.
  - b. **Do not operate power tools in explosive atmospheres, such as in the presence of flammable liquids, gases or dust.** Power tools create sparks which may ignite the dust or fumes.
  - c. **Keep children and bystanders away while operating a power tool.** Distractions can cause you to lose control.
2. **Electrical safety**
  - a. **Power tool plugs must match the outlet. Never modify the plug in any way. Do not use any adapter plugs with earthed (grounded) power tools.** Unmodified plugs and matching outlets will reduce risk of electric shock.
  - b. **Avoid body contact with earthed or grounded surfaces such as pipes, radiators, ranges and refrigerators.** There is an increased risk of electric shock if your body is earthed or grounded.
  - c. **Do not expose power tools to rain or wet conditions.** Water entering a power tool will increase the risk of electric shock.
  - d. **Do not abuse the cord. Never use the cord for carrying, pulling or unplugging the power tool. Keep cord away from heat, oil, sharp edges or moving parts.** Damaged or entangled cords increase the risk of electric shock.
  - e. **When operating a power tool outdoors, use an extension cord suitable for outdoor use.** Use of a cord suitable for outdoor use reduces the risk of electric shock.
- f. **If operating a power tool in a damp location is unavoidable, use a residual current device (RCD) protected supply.** Use of an RCD reduces the risk of electric shock.
3. **Personal safety**
  - a. **Stay alert, watch what you are doing and use common sense when operating a power tool. Do not use a power tool while you are tired or under the influence of drugs, alcohol or medication.** A moment of inattention while operating power tools may result in serious personal injury.
  - b. **Use safety equipment. Always wear eye protection.** Safety equipment such as dust mask, non-skid safety shoes, hard hat, or hearing protection used for appropriate conditions will reduce personal injuries.
  - c. **Prevent unintentional starting. Ensure the switch is in the off-position before connecting to power source and/or battery pack, picking up or carrying the tool.** Carrying power tools with your finger on the switch or energising power tools that have the switch on invites accidents.
  - d. **Remove any adjusting key or wrench before turning the power tool on.** A wrench or a key left attached to a rotating part of the power tool may result in personal injury.
  - e. **Do not overreach. Keep proper footing and balance at all times.** This enables better control of the power tool in unexpected situations.
  - f. **Dress properly. Do not wear loose clothing or jewellery. Keep your hair, clothing and gloves away from moving parts.** Loose clothes, jewellery or long hair can be caught in moving parts.
  - g. **If devices are provided for the connection of dust extraction and collection facilities, ensure these are connected and properly used.** Use of these devices can reduce dust related hazards.
4. **Power tool use and care**
  - a. **Do not force the power tool. Use the correct power tool for your application.** The correct power tool will do the job better and safer at the rate for which it was designed.
  - b. **Do not use the power tool if the switch does not turn it on and off.** Any power tool that cannot be controlled with the switch is dangerous and must be repaired.
  - c. **Disconnect the plug from the power source and/or the battery pack from the power tool before making any adjustments, changing accessories, or storing power tools.** Such preventive safety measures reduce the risk of starting the power tool accidentally.
  - d. **Store idle power tools out of the reach of children and do not allow persons unfamiliar with the power tool or these instructions to**


**operate the power tool.** Power tools are dangerous in the hands of untrained users.

- e. **Maintain power tools. Check for misalignment or binding of moving parts, breakage of parts and any other condition that may affect the power tools operation. If damaged, have the power tool repaired before use.** Many accidents are caused by poorly maintained power tools.
- f. **Keep cutting tools sharp and clean.** Properly maintained cutting tools with sharp cutting edges are less likely to bind and are easier to control.
- g. **Use the power tool, accessories and tool bits etc., in accordance with these instructions, taking into account the working conditions and the work to be performed.** Use of the power tool for operations different from those intended could result in a hazardous situation.

## 5. Service

- a. **Have your power tool serviced by a qualified repair person using only identical replacement parts.** This will ensure that the safety of the power tool is maintained.

## Additional power tool safety warnings

 Warning! Additional safety warnings for hand-held saws.

- **Hold power tool by insulated gripping surfaces, when performing an operation where the cutting accessory may contact hidden wiring or its own cord.** Cutting accessory contacting a "live" wire may make exposed metal parts of the power tool "live" and could give the operator an electric shock.
- **Use clamps or another practical way to secure and support the work piece to a stable platform.** Holding the work by hand or against your body leaves it unstable and may lead to loss of control.
- **Hold saw firmly with both hands for all cutting operations.** During cutting operations, the blade may suddenly bind in the work and may cause the saw to kickback towards the operator.
- **Keep hands away from cutting area.** Never reach underneath the material for any reason. Hold front of saw by grasping the contoured gripping area. Do not insert fingers or thumb into the vicinity of the reciprocating blade and blade clamp. Do not stabilize the saw by gripping the shoe.
- **Keep blades sharp.** Dull blades may cause the saw to swerve or stall under pressure.
- **Use extra caution when cutting overhead** and pay particular attention to overhead wires, gas or water lines, which may be hidden from view. Anticipate the path of falling branches and debris ahead of time.

- **When cutting pipe or conduit** ensure that they are free from water, electrical wiring, etc.
- **Do not touch the work piece or the blade immediately after operating the tool.** They can become very hot.

## Labels on tools



**Warning!** To reduce the risk of injury, the user must read the instruction manual.

## Electrical safety






This tool is double insulated; therefore no earth wire is required. Always check that the power supply corresponds to the voltage on the rating plate.

- This appliance is not intended for use by young or infirm persons without supervision. Children must be supervised to ensure they do not play with the appliance.
- If the supply cord is damaged, it must be replaced by the manufacturer or an authorised Stanley Service Centre in order to avoid a hazard.

## Symbols

The label on your tool may include the following symbols:

V	volts
A	Amperes
Hz	Hertz
W	Watts
min.	Minutes
~	Alternating current
—	Direct current
$n_0$	No load speed
	Class II Construction
	Earthing terminal
	Safety alert symbol
.../min	Revolutions or reciprocation per minute
.../bpm	Beats per minute

## Features (Fig. 1)

- A. Trigger Switch
- B. Main Handle
- C. Secondary Gripping Handle
- D. Adjustable Shoe Screws
- E. Adjustable Shoe
- F. Blade Clamp

## Assembly and Adjustment

**⚠ WARNING: CUT HAZARD.** Turn off and disconnect tool from power source before making any adjustments or removing or installing attachments or accessories.

**⚠ WARNING:** Hold saw firmly with both hands for all cutting operations.

**⚠ WARNING:** Inspect work area for hidden electrical wiring, gas pipes or water pipes before making blind or plunge cuts. Failure to do so may result in electrical shock, fire, explosion, or property damage.

**⚠ WARNING: CUTHAZARD.** Blade breakage may occur if the blade does not extend past the shoe and the workpiece during the cut. Increased risk of personal injury, as well as damage to the shoe and workpiece may result.

**⚠ WARNING: ALWAYS use safety glasses.** Everyday eyeglasses are NOT safety glasses. Also use face or dust mask if cutting operation is dusty. ALWAYS WEAR CERTIFIED SAFETY EQUIPMENT.

**⚠ WARNING: CUT HAZARD.** Before cutting any type of material, be sure it is firmly anchored or clamped to prevent slipping.

- Switch on saw motor before applying pressure.
- Place blade lightly against work to be cut.

**⚠ WARNING: CUT HAZARD.** Never hold and use the product with your fingers wrapped around shoe adjustment button. Always hold saw firmly with both hands while cutting as shown in **Figure 2**. Whenever possible, the saw shoe must be held firmly against the material being cut. This will prevent the saw from jumping or vibrating and minimize blade breakage.

### VARIABLE SPEED SWITCH (fig.3)

The variable speed trigger switch will give you added versatility. The further the trigger is depressed the higher the speed of the saw. To turn the tool "OFF" release the trigger.

**⚠ WARNING: CUTHAZARD.** This tool has no provision to lock the switch in the ON position, and should never be locked in the ON position by any other means.

### BLADE INSTALLATION AND REMOVAL (fig.4)

**⚠ WARNING: CUT HAZARD.** Turn off and disconnect tool from power source before making any adjustments or removing or installing attachments or accessories.

The blade should extend past the shoe and the thickness of the workpiece during the cut. Select the blade best suitable for the material to be cut and use the shortest blade suitable for the thickness of the material. Do not use jigsaw blades with this tool.

**⚠ WARNING: CUT HAZARD.** Blade breakage may occur if the blade does not extend past the shoe and the workpiece during the cut. Increased risk of personal injury, as well as damage to the shoe and workpiece may result.

### TO INSTALL BLADE INTO SAW

1. Point tool away from body.
2. Rotate blade clamp collar in the direction shown in fig.4.
3. Insert blade shank fully into blade clamp collar.
4. Release blade clamp collar to lock blade into position.

**NOTE:** Blade can be installed with the teeth up to assist in flush-to cutting.

### TO REMOVE BLADE FROM SAW

**⚠ WARNING: CUTHAZARD.** Turn off and disconnect tool from power source before making any adjustments or removing or installing attachments or accessories.

**⚠ WARNING: Burn hazard.** Do not touch the blade immediately after use. Contact with the blade may result in personal injury.

1. Rotate blade clamp collar to release position.
2. Remove blade.

### ADJUSTABLE SHOE (fig.5)

**⚠ WARNING: CUT HAZARD.** Blade breakage may occur if the blade does not extend past the shoe and the workpiece during the cut. Increased risk of personal injury, as well as damage to the shoe and workpiece may result.

**⚠ WARNING: CUT HAZARD.** Turn off and disconnect tool from power source before making any adjustments or removing or installing attachments or accessories. The shoe will adjust to limit the depth of cut. Using a M4(5/32in.) hex wrench (not supplied), loosen the screws (Figure5) and slide the shoe out to the desired depth then retighten screws securely.

**⚠ CAUTION: CUTHAZARD.** To prevent loss of control, never use tool without shoe.

**⚠ CAUTION: RISK OF PERSONAL INJURY AND PROPERTY DAMAGE.** Ensure the shoe is locked into position before using tool.

### FLUSH CUTTING (fig.6)

- The compact design of the reciprocating saw motor housing and pivoting shoe permit close cutting to floors, corners and other difficult areas.
- To maximize flush cutting capabilities, insert the blade shaft into the blade clamp with the teeth of the blade facing up.
- Turn the saw upside down so you are as close to the work surface as possible.

## METALCUTTING (fig.7)

- Use a finer blade for ferrous metals and a coarse blade for non-ferrous materials.
- In thin gauge sheet metals it is best to clamp wood to the underside of the sheet. This will ensure a clean cut without excess vibration or tearing of metal.
- Avoid forcing cutting blade as this reduces blade life and causes costly blade breakage.

**NOTE:** Spread a thin film of oil or other coolant along the line ahead of the saw cut for easier operation and longer blade life.

## POCKET CUTTING-WOODONLY (fig.8)

- Measure the surface area to be cut and mark clearly with a pencil, chalk or scribe.
- Insert blade in blade clamp and tighten blade clamp securely.
- Tip the saw backward until the back edge of the shoe is resting on the work surface and the fully extended moving blade will clear the surface.
- Grip unit with both hands, switch motor on permitting blade to obtain maximum speed.
- Begin a slow, deliberate upward swing with the main handle of the saw.
- The blade will begin to feed into material. Always be sure blade is completely through material before continuing with pocket cut.

**NOTE:** In areas where blade visibility is limited, use the edge of the shoe as a guide.

## PROJECT TIPS

- Cut only with sharp blades; they cut cleaner, faster and put less strain on the motor while cutting.
- When cutting, always ensure that the shoe is held firmly against the workpiece and the workpiece is secured from moving/deflecting. This will improve operator control and minimize vibration.
- For longer blade life, use bi-metal blades. These utilize a carbon steel back welded to high speed steel teeth making the blade more flexible and less prone to breaking.

## ACCESSORIES

This saw will accept up to a 12 inch long blade. Always use the shortest blade suitable for your project but long enough to keep the blade cutting through the material. Longer blades are more likely to be bent or damaged during use. During operation some longer blades may vibrate or shake if the saw is not kept in contact with the workpiece.

**⚠ WARNING:** Since accessories, other than those offered by Stanley, have not been tested with this product, use of such accessories with this tool could be hazardous. To reduce the risk of injury, only Stanley recommended accessories should be used with this product.

## Maintenance

Your Stanley tool has been designed to operate over a long period of time with a minimum of maintenance. Continuous satisfactory operation depends upon proper tool care and regular cleaning.

**Warning!** Before performing any maintenance, switch off and unplug the tool.

- Regularly clean the ventilation slots in your tool using a soft dry brush or dry cloth.
- Regularly clean the motor housing using a clean damp cloth. Do not use any abrasive or solvent-based cleaner.

## Service Information

Stanley offers a full network of company-owned and authorized service locations throughout Asia. All Stanley Service Centers are staffed with trained personnel to provide customers with efficient and reliable power tool service. Whether you need technical advice, repair, or genuine factory replacement parts, contact the Stanley location nearest to you.

## Notes

- Stanley's policy is one of continuous improvement to our products and, as such, we reserve the right to change product specifications without prior notice.
- Standard equipment and accessories may vary by country.
- Product specifications may differ by country.
- Complete product range may not be available in all countries. Contact your local Stanley dealers for range availability.

## STEL365 軍刀鋸

### 技術資料

規格	STEL365	
功率	瓦特	900
電壓	伏特	110
空載轉速	/分	0-3200
重量	千克	3.2

### 設計用途

您的 Stanley 軍刀鋸設計用於切割木材、塑膠和金屬板材。

### 一般安全規定



**警告！請閱讀所有指示。**不遵循下列的任何指示可能會導致觸電、火災及/或嚴重傷害。下列所有警告中的名詞「電動工具」是指電源驅動（插電）電動工具，或者電池驅動（充電）電動工具。

### 請保存這些安全指示

#### 1. 工作場地

- 保持工作場地清潔和明亮。混亂和黑暗的場地會引發事故。
- 不要在易爆環境，如有易燃液體、氣體或塵埃的環境中操作電動工具。電動工具產生的火花會點燃塵埃或氣體。
- 請等待兒童和旁觀者離開之後才操縱電動工具。分心會導致您疏於控制。

#### 2. 電力安全

- 電動工具插頭必須與插座相符。請勿以任何方式改裝插頭。需接地的電動工具不能使用任何配接器插頭。未經改裝的插頭和相符的插座可以減少觸電危險。
- 避免人體接觸接地表面，如管道、散熱片、爐灶和冰箱。若您的身體接地，會增加觸電危險。
- 不得將電動工具暴露在雨中或潮濕環境中。水進入電動工具會增加觸電危險。
- 請勿濫用電線。請勿使用電線來搬運、拉動電動工具或拔出插頭。讓電線遠離熱、油、銳邊或活動部件。受損或纏繞的電線會增加觸電危險。
- 若要在戶外使用電動工具，請使用適合戶外使用的延長電線。使用適合戶外使用的電線可減少觸電危險。
- 若必須在潮濕場合使用電動工具，請使用漏電保護器 (RCD)。使用 RCD 可降低觸電危險。

#### 3. 人身安全

- 保持警覺；在操作電動工具時，請留意所執行的操作並按照一般的流程執行。請勿在疲倦，或受到藥物、酒精或治療的影響下操作電動工具。操作電動工具期間注意力分散會導致嚴重人身傷害。
- 使用安全裝置。始終佩戴護目裝備。安全裝置，例如在適當條件下使用的防塵面具、防滑安全鞋、安全帽或聽力保護等裝置可減少人身傷害。
- 避免意外啟動。連接電源/或電池組、撿取或搬運電動工具之前，請確定開關處於關閉位置。搬運電動工具時若將手指放在開關上，或是在接通開關電源時插入插頭都會引發危險。
- 接通電動工具之前，請卸下所有的調整鑰匙或扳手。遺留在電動工具旋轉部件上的扳手或鑰匙會導致人身傷害。
- 不要過度伸張雙手。時刻注意腳下和身體的平衡。如此即可在發生意外的情況下更好地控制電動工具。
- 適當穿著。不要穿寬鬆衣服或佩戴飾品。讓您的頭髮、衣服和手套遠離活動部件。寬鬆衣服、佩飾或長髮可能會捲入活動部件。
- 若配備用於連接排屑裝置、集塵設備的裝置，請確定正確連接和使用這些裝置。使用這些裝置可減少與塵埃有關的危險。

#### 4. 電動工具的使用與注意事項


- 不要超負荷使用電動工具。根據您的用途使用適當的電動工具。使用適當的電動工具在其設計可負荷的應用內，會讓您更有效、更安全地執行工作。
- 若開關不能開啟或關閉電源，請勿使用該電動工具。不能用開關來控制的電動工具將存在危險，因此必須進行修理。
- 在執行任何調整、更換配件或儲存電動工具之前，請從電源上拔掉插頭及/或卸下電池組。這類防護性安全措施可降低電動工具意外啟動的風險。
- 將閒置的電動工具儲存在兒童無法接觸的地方，並且不要讓不熟悉電動工具或對這些使用指示不瞭解的人員操作電動工具。電動工具在未經培訓的使用者手中會發生危險。
- 維護電動工具。檢查活動部件是否對準或卡住、破損情況以及是否存在影響電動工具運行的其他情況。若有損毀，必須在使用之前修理電動工具。許多事故都是由於電動工具欠缺維護所導致。
- 保持刀具鋒利和清潔。妥善維護、切削鋒利的刀具不會輕易卡住並可更輕鬆控制。
- 遵循使用指示以及工作條件和所要執行的工作使用電動工具、配件和工具刀頭等。不按照設計目的使用電動工具會導致危險。



## 5. 檢修

- a. 本電動工具必須由合格的維修人員並只採用相同的替換零件來執行檢修。這樣將確保電動工具的安全。

## 電動工具之附加安全警告

 警告！手提鋸之附加安全警告。

- 若在執行操作時切削配件可能會接觸隱藏的電線或它本身的電線，則只能從絕緣手柄表面握住電動工具。若切削配件接觸到「帶電」導線，電動工具金屬部件表面就會「帶電」，從而導致操作人員觸電。
- 使用夾具或老虎鉗，將工件固定、支撐到穩定的平台上。手持工件或用身體抵住工件會使工件不穩定並可能導致失控。
- 進行所有切割操作時，務必始終使用雙手握緊電鋸。切割操作時，鋸片可能會突然卡在工件中，從而導致電鋸向操作人員反沖。
- 雙手遠離切割區域。不論任何原因，都不要接觸材料下方。握緊波狀區域以抓緊電鋸的前部。請勿將手指或大拇指伸入軍刀鋸和鋸片夾具的鄰近區域。請勿通過緊握導板來穩固電鋸。
- 保持鋸片鋒利。鈍化的鋸片會導致電鋸在壓力下偏斜或停止。
- 在頭頂上方切割時須倍加小心，要特別留意頭頂上方視野無法看到的電線、氣管和水管。提前預判下落碎條和碎片的路徑。
- 切割管道或導管時，請確認其中無水或電線等障礙物。
- 請勿在使用工具後馬上觸摸工件或鋸片。它們可能會變得很燙。

## 工具上的標籤



**警告！**為了降低受傷的風險，使用者必須仔細閱讀使用手冊。

## 電力安全



本工具採用雙重絕緣，因此無需接地線。請務必檢查電源電壓是否與銘牌一致。

- 除非有人監督，年紀小或體弱的人不適合使用本器具。必須監督小孩，確保他們沒有耍玩器具。
- 若電源線損毀，必須讓製造廠商或 Stanley 授權服務中心進行更換以避免發生危險。

## 符號

您的工具上可能包含下列符號：

V	.....	伏特
A	.....	安培
Hz	.....	赫茲
W	.....	瓦特
Min.	.....	分鐘
~	.....	交流電
—	.....	直流電
n <sub>0</sub>	.....	空載轉速
	.....	II 級結構
	.....	接地終端
	.....	安全警告符號
.../min	.....	每分鐘轉數或往返數
.../bpm	.....	每分鐘衝擊次數

## 功能部件 (圖 1)

- 觸發開關
- 主手柄
- 側握柄
- 可調整的導板螺釘
- 可調整的導板
- 鋸片夾具

## 裝配與調整



**警告：切割危險。**關閉工具的電源並拔下插頭，然後調整、卸下或安裝附件或配件。



**警告：**進行所有切割操作時，務必始終使用雙手握緊電鋸。



**警告：**在進行盲切或切入式切割前，請檢查工作場地是否存有隱藏的煤氣管、水管或電線。否則可能導致爆炸、觸電、火災或財產損失。



**警告：切割危險。**切割時若鋸片長度未能超出導板長度 and 工件厚度，可能發生鋸片斷裂。這將會增加人身傷害的風險，並導致導板和工件損壞。



**警告：務必使用護目鏡。**日常眼鏡不是護目鏡。如果切割操作將產生很多灰塵，也請使用面罩或防塵面具。務必佩戴經過鑒定的安全裝置。



**警告：切割危險。**在切割任何種類材料前，請確保將其穩固地固定或夾緊，防止滑動。

- 施加壓力前，開啟電鋸的電動機。
- 讓鋸片輕輕碰到待鋸工件。



**警告：切割危險。**使用和握持產品時，請勿讓手指環繞導板調整按鈕。切割時，始終用雙手牢握電鋸，如圖 2 所示。任何時候只要有可能，電鋸導板必須緊抵住正被切割的材料。這樣可以防止電鋸跳起或震動，最大程度降低鋸片斷裂風險。

## 變速開關 (圖 3)

變速觸發開關可讓您獲得更多靈活性。您愈用力擠壓觸發器，電鋸便會以愈快的速度運轉。若要將工具關掉，請鬆開觸發開關。

**警告：切割危險。** 此工具不提供將開關鎖定在開啟 (ON) 位置的功能，請勿透過任何其他方式來鎖定開啟 (ON)。

## 安裝和卸下鋸片 (圖 4)

**警告：切割危險。** 關閉工具的電源並拔下插頭，然後調整、卸下或安裝附件或配件。請確保鋸片超出導板長度和切割工件的厚度。選擇最適合待鋸材料的鋸片，在能夠切割材料厚度的眾鋸片中，選出盡可能短的鋸片使用。請勿在此工具上使用線鋸機鋸片。

**警告：切割危險。** 切割時若鋸片長度未能超出導板長度和工件厚度，可能發生鋸片斷裂。這將會增加人身傷害的風險，並導致導板和工件損壞。

## 將鋸片安裝到電鋸中

- 讓工具遠離身體。
  - 如圖 4 中所示方向旋轉鋸片夾具調整環。
  - 將鋸片柄完全插入鋸片夾具調整環。
  - 釋放鋸片夾具調整環以將鋸片鎖定到位。
- 注：鋸片可以鋸齒朝上安裝，方便進行齊平切割。

## 將鋸片從電鋸卸下

**警告：切割危險。** 關閉工具的電源並拔下插頭，然後調整、卸下或安裝附件或配件。

**警告：燒傷危險。** 使用工具後請勿馬上去觸摸鋸片。接觸鋸片可能導致人身傷害。

- 旋轉鋸片夾具調整環以釋放位置。
- 卸下鋸片。

## 可調整的導板 (圖 5)

**警告：切割危險。** 切割時若鋸片長度未能超出導板長度和工件厚度，可能發生鋸片斷裂。這將會增加人身傷害的風險，並導致導板和工件損壞。

**警告：切割危險。** 關閉工具的電源並拔下插頭，然後調整、卸下或安裝附件或配件。導板將依據切割深度的限制自行調整。使用一個 M4 (5/32 英尺) 六角扳手 (不隨附)，扭松螺釘 (圖 5)，然後將導板滑動至所需的深度，重新將螺釘牢固固定。

**小心：切割危險。** 為防止失控，操作工具時務必使用導板。

**小心：人身傷害和財產損失風險。** 使用工具前，確保導板已鎖定到位。

## 齊平切割 (圖 6)

- 電鋸電動機外殼和樞軸導板設計緊湊，允許對地板、牆角和其他難以切割的區域進行極其靠近的切割。
- 為了最大限度地提高齊平切割能力，保持鋸齒朝上，將鋸片柄插入鋸片夾具中。
- 將電鋸上下倒置，盡可能靠近作業表面。

## 金屬切割 (圖 7)

- 對於含鐵金屬使用更精製的鋸片，對於有色金屬材料使用粗製鋸片。
- 切割薄尺寸金屬板材時最好是在板材背面夾上木材。這將確保精確切割，沒有過多震動或金屬撕裂。
- 避免對切割鋸片過分用力，否則將縮短鋸片壽命並導致鋸片斷裂，此後果代價將非常昂貴。

注：為更容易操作和延長鋸片壽命，請沿切割線提前塗上一層油膜或其他冷卻液。

## 盲切削—僅木材 (圖 8)

- 測量待切割的表面區域，並使用鉛筆、粉筆或畫線器標註清楚。
- 將鋸片插入鋸片夾具，牢固鎖緊鋸片夾具。
- 將電鋸往後傾斜，直到導板後緣停留在作業表面，鋸片在操作並完全伸展時沒有接觸到作業表面。
- 雙手緊握電鋸，開啟電動機，待鋸片達到最大速度。
- 握住電鋸手柄，將電鋸小心翼翼地緩慢向上轉動。
- 鋸片將開始深入材料中。繼續進行盲切削前請務必確保鋸片完全穿透材料。

注：在視野受限、無法看見鋸片的區域，請利用電鋸導板邊緣做為參考。

## 項目執行秘訣

- 僅使用鋒利的鋸片進行切割，以確保精確切割，並讓電動機在切割時也不那麼費力。
- 切割時，始終確保導板穩固抵住正被切割的材料，工件牢固，不會移動或偏斜。這能讓操作人員更好地控制操作，並減少震動。
- 為提高鋸片壽命，請使用雙金屬鋸片。這些鋸片由碳鋼背面與高速鋼鋸齒焊接在一起，讓鋸片能夠更加靈活，不容易斷裂。

## 配件

本電鋸將能使用長度高達 12 英尺的鋸片。始終在能夠切割材料厚度的鋸片中選出最可能短的鋸片使用。較長的鋸片更有可能在操作時彎曲或損壞。操作時，如果電鋸沒有一直與工件接觸，有些較長的鋸片可能會震動或搖動。

**警告：**由於非 Stanley 提供的配件未在本產品上進行過使用測試，在本產品上使用這些附件可能發生危險。為降低傷害危險，在本產品上只應使用 Stanley 所推薦的配件。

## 維護

Stanley 工具採用卓越的設計，能夠長時間使用，並且只需最少的維護。若要持續獲得滿意的操作效果，需進行正確的工具維護和定期的清潔。

**警告！**在工具上執行任何維護工作之前，請關閉電源並拔下工具的插頭。

- 定期使用軟刷或幹布清潔工具內的通風槽。
- 定期使用乾淨的濕布清潔電動機外殼。請勿使用任何研磨型或溶劑型清潔劑。

## 注意

- Stanley 的政策是持續改善我們的產品，因此，我們保留隨時變更產品規格的權利，恕不另行通知。
- 標準裝置和配件可能會根據不同的國家而有所不同。
- 產品規格可能會根據不同的國家而有所不同。
- 並非所有的國家都有提供完整的產品系列。如需各產品系列的供應情況，請聯絡您當地的 Stanley 代理商。

進口商: 新加坡商百得電動工具(股)臺灣分公司

地址: 臺北市北投區裕民六路120號4F

電話: 02-28201065

總經銷商: 永安實業股份有限公司

地址: 新北市三重區新北大道二段137號

電話: 02-29994633

