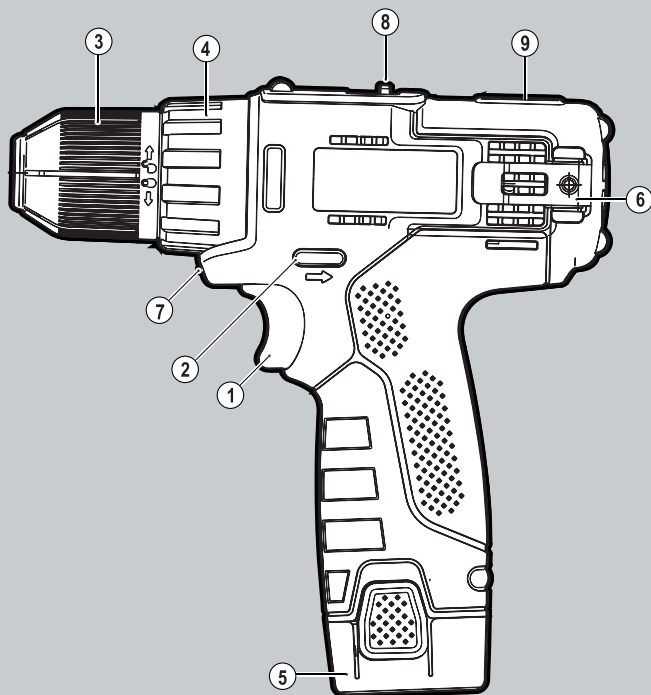
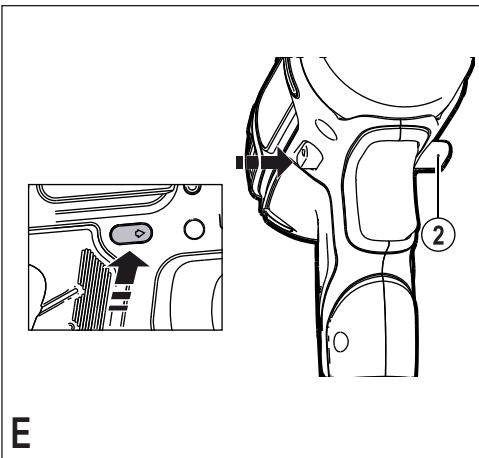
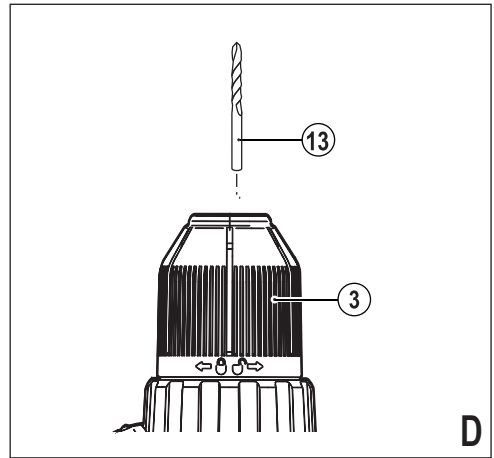
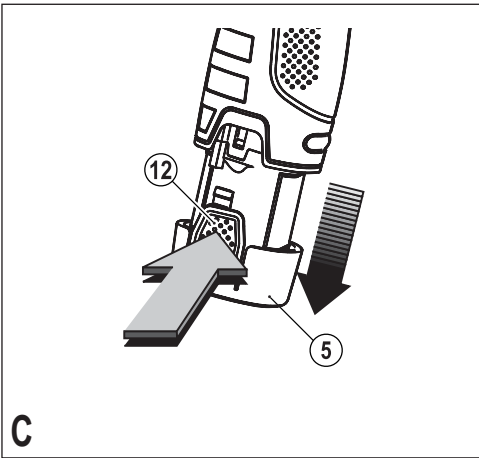
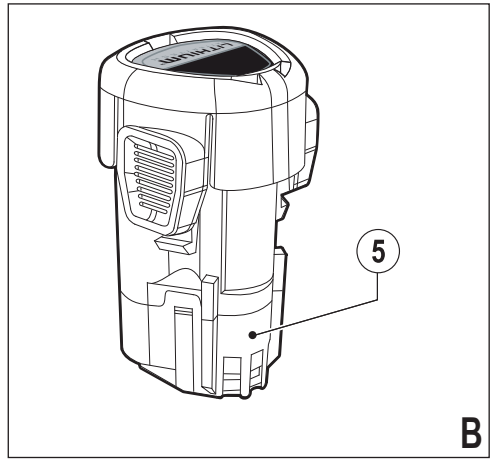
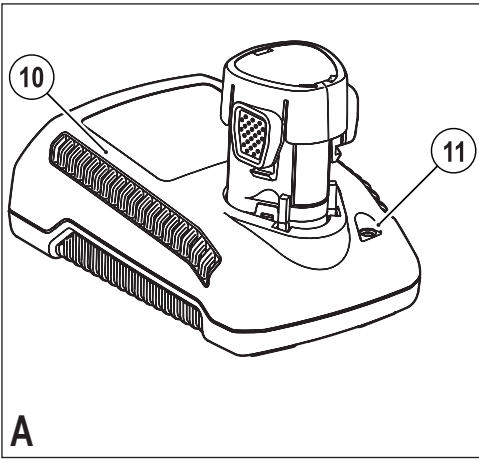


STANLEY



STDC001L
STCD1080

English	3
简体中文	8
한국어	13
INDONESIA	18
ภาษาไทย	23
繁體中文	29
TIẾNG VIỆT	34



STDC001L /STCD1080

10.8V LI-ION DRILL

Technical data

STDC001L/STCD1080		
Voltage	V_{DC}	10.8
No-load speed	/min	0-315, 0-1200
Max. torque (PTI Rating)	Nm	27
Chuck capacity	mm	10
Max Drilling capacity		
Steel/wood	mm	10/25
Weight	kg	1.1
Charger		
Input Voltage	V_{AC}	220-240
Output Voltage	V_{DC}	10.8
Output Current(DC)	A	2
Approx. charge time	min	30
Battery		
Voltage	V_{DC}	10.8
Capacity	Ah	1.5
Type		Li-Ion

Intended use

Your Stanley drill/screwdriver has been designed for screwdriving applications and for drilling in wood, metal and plastics.

Safety instructions

General power tool safety warnings



Warning! Read all safety warnings and all instructions. Failure to follow the warnings and instructions listed below may result in electric shock, fire and/or serious injury.

Save all warnings and instructions for future reference.

The term "power tool" in all of the warnings listed below refers to your mains operated (corded) power tool or battery operated (cordless) power tool.

1. Work area safety

- Keep work area clean and well lit.** Cluttered or dark areas invite accidents.
- Do not operate power tools in explosive atmospheres, such as in the presence of flammable liquids, gases or dust.** Power tools create sparks which may ignite the dust or fumes.
- Keep children and bystanders away while operating a power tool.** Distractions can cause you to lose control.

2. Electrical safety

- Power tool plugs must match the outlet. Never modify the plug in any way. Do not use any adapter plugs with earthed (grounded) power tools.** Unmodified plugs and matching outlets will reduce risk of electric shock.

- Avoid body contact with earthed or grounded surfaces such as pipes, radiators, ranges and refrigerators.** There is an increased risk of electric shock if your body is earthed or grounded.
- Do not expose power tools to rain or wet conditions.** Water entering a power tool will increase the risk of electric shock.
- Do not abuse the cord. Never use the cord for carrying, pulling or unplugging the power tool. Keep cord away from heat, oil, sharp edges or moving parts.** Damaged or entangled cords increase the risk of electric shock.
- When operating a power tool outdoors, use an extension cord suitable for outdoor use.** Use of a cord suitable for outdoor use reduces the risk of electric shock.
- If operating a power tool in a damp location is unavoidable, use a residual current device (RCD) protected supply.** Use of an RCD reduces the risk of electric shock.

3. Personal safety

- Stay alert, watch what you are doing and use common sense when operating a power tool. Do not use a power tool while you are tired or under the influence of drugs, alcohol or medication.** A moment of inattention while operating power tools may result in serious personal injury.
- Use personal protective equipment. Always wear eye protection.** Protective equipment such as dust mask, non-skid safety shoes, hard hat, or hearing protection used for appropriate conditions will reduce personal injuries.
- Prevent unintentional starting. Ensure the switch is in the off-position before connecting to power source and/or battery pack, picking up or carrying the tool.** Carrying power tools with your finger on the switch or energising power tools that have the switch on invites accidents.
- Remove any adjusting key or wrench before turning the power tool on.** A wrench or a key left attached to a rotating part of the power tool may result in personal injury.
- Do not overreach. Keep proper footing and balance at all times.** This enables better control of the power tool in unexpected situations.
- Dress properly. Do not wear loose clothing or jewellery. Keep your hair, clothing and gloves away from moving parts.** Loose clothes, jewellery or long hair can be caught in moving parts.
- If devices are provided for the connection of dust extraction and collection facilities, ensure these are connected and properly used.** Use of dust collection can reduce dust-related hazards.

4. Power tool use and care

- a. **Do not force the power tool. Use the correct power tool for your application.** The correct power tool will do the job better and safer at the rate for which it was designed.
- b. **Do not use the power tool if the switch does not turn it on and off.** Any power tool that cannot be controlled with the switch is dangerous and must be repaired.
- c. **Disconnect the plug from the power source and/or the battery pack from the power tool before making any adjustments, changing accessories, or storing power tools.** Such preventive safety measures reduce the risk of starting the power tool accidentally.
- d. **Store idle power tools out of the reach of children and do not allow persons unfamiliar with the power tool or these instructions to operate the power tool.** Power tools are dangerous in the hands of untrained users.
- e. **Maintain power tools. Check for misalignment or binding of moving parts, breakage of parts and any other condition that may affect the power tools operation. If damaged, have the power tool repaired before use.** Many accidents are caused by poorly maintained power tools.
- f. **Keep cutting tools sharp and clean.** Properly maintained cutting tools with sharp cutting edges are less likely to bind and are easier to control.
- g. **Use the power tool, accessories and tool bits etc. in accordance with these instructions, taking into account the working conditions and the work to be performed.** Use of the power tool for operations different from those intended could result in a hazardous situation.

5. Battery tool use and care

- a. **Recharge only with the charger specified by the manufacturer.** A charger that is suitable for one type of battery pack may create a risk of fire when used with another battery pack.
- b. **Use power tools only with specifically designated battery packs.** Use of any other battery packs may create a risk of injury and fire.
- c. **When battery pack is not in use, keep it away from other metal objects, like paper clips, coins, keys, nails, screws, or other small metal objects, that can make a connection from one terminal to another.** Shorting the battery terminals together may cause burns or a fire.
- d. **Under abusive conditions, liquid may be ejected from the battery; avoid contact. If contact accidentally occurs, flush with water. If liquid contacts eyes, additionally seek medical help.** Liquid ejected from the battery may cause irritation or burns.

6. Service

- a. **Have your power tool serviced by a qualified repair person using only identical replacement parts.** This will ensure that the safety of the power tool is maintained.

Additional power tool safety warnings

Warning! Additional safety warnings for drills and impact drills

- ◆ **Wear ear protectors with impact drills.** Exposure to noise can cause hearing loss.
- ◆ **Use auxiliary handles supplied with the tool.** Loss of control can cause personal injury.
- ◆ **Hold power tool by insulated gripping surfaces when performing an operation where the cutting accessory may contact hidden wiring.** Cutting accessory contacting a "live" wire may make exposed metal parts of the power tool "live" and could give the operator an electric shock.
- ◆ **Hold power tool by insulated gripping surfaces when performing an operation where the fastener may contact hidden wiring.** Fasteners contacting a "live" wire may make exposed metal parts of the power tool "live" and could give the operator an electric shock.
- ◆ **Use clamps or another practical way to secure and support the workpiece to a stable platform.** Holding the work by hand or against your body leaves it unstable and may lead to loss of control.
- ◆ Before drilling into walls, floors or ceilings, check for the location of wiring and pipes.
- ◆ Avoid touching the tip of a drill bit just after drilling, as it may be hot.
- ◆ This tool is not intended for use by persons (including children) with reduced physical, sensory or mental capabilities, or lack of experience and knowledge, unless they have been given supervision or instruction concerning use of the appliance by a person responsible for their safety. Children should be supervised to ensure that they do not play with the appliance.
- ◆ The intended use is described in this instruction manual. The use of any accessory or attachment or performance of any operation with this tool other than those recommended in this instruction manual may present a risk of personal injury and/or damage to property.

Safety of others

- ◆ This appliance is not intended for use by persons (including children) with reduced physical, sensory or mental capabilities, or lack of experience and knowledge, unless they have been given supervision or instruction concerning use of the appliance by a person responsible for their safety.
- ◆ Children should be supervised to ensure that they do not play with the appliance.

Residual risks.

Additional residual risks may arise when using the tool which may not be included in the enclosed safety warnings. These risks can arise from misuse, prolonged use etc.

Even with the application of the relevant safety regulations and the implementation of safety devices, certain residual risks can not be avoided. These include:

- ◆ Injuries caused by touching any rotating/moving parts.
- ◆ Injuries caused when changing any parts, blades or accessories.
- ◆ Injuries caused by prolonged use of a tool. When using any tool for prolonged periods ensure you take regular breaks.
- ◆ Impairment of hearing.
- ◆ Health hazards caused by breathing dust developed when using your tool (example:- working with wood, especially oak, beech and MDF.)

Labels on tool

The following symbols are shown on the tool:



Warning! To reduce the risk of injury, the user must read the instruction manual.

Additional safety instructions for batteries and chargers

Batteries

- ◆ Never attempt to open for any reason.
- ◆ Do not expose the battery to water.
- ◆ Do not store in locations where the temperature may exceed 40 °C.
- ◆ Charge only at ambient temperatures between 10 °C and 40 °C.
- ◆ Charge only using the charger provided with the tool.
- ◆ When disposing of batteries, follow the instructions given in the section "Protecting the environment".

Do not attempt to charge damaged batteries.



Chargers

- ◆ Use your Stanley charger only to charge the battery in the tool with which it was supplied. Other batteries could burst, causing personal injury and damage.
- ◆ Never attempt to charge non-rechargeable batteries.
- ◆ Have defective cords replaced immediately.
- ◆ Do not expose the charger to water.
- ◆ Do not open the charger.
- ◆ Do not probe the charger.



The charger is intended for indoor use only.



Read the instruction manual before use.

Electrical safety



Your charger is double insulated; therefore no earth wire is required. Always check that the mains voltage corresponds to the voltage on the rating plate. Never attempt to replace the charger unit with a regular mains plug.

- ◆ If the supply cord is damaged, it must be replaced by the manufacturer or an authorised Stanley Service Centre in order to avoid a hazard.

Features

This tool includes some or all of the following features.

1. Variable speed switch
2. Forward/reverse slider
3. Chuck
4. Torque adjustment collar
5. Battery
6. Belt clip
7. LED work light
8. Speed selector
9. Magnetic bit holder

Fig. A

10. Charger
11. Charging indicator

Assembly

Warning! Before assembly, remove the battery from the tool.

Fitting and removing the battery (fig. C)

- ◆ To fit the battery (5), line it up with the receptacle on the tool. Slide the battery into the receptacle and push until the battery snaps into place.

- ◆ To remove the battery, push the release buttons (12) while at the same time pulling the battery out of the receptacle.

Fitting and removing a drill bit or screwdriver bit (fig. D)

This tool is fitted with a keyless chuck to allow for an easy exchange of bits.

- ◆ Lock the tool by setting the forward/reverse slider (2) to the centre position.
- ◆ Grasp the chuck (3) and rotate it in the counterclockwise direction, as viewed from the chuck end.
- ◆ Insert the bit shaft (13) into the chuck.
- ◆ Firmly tighten the chuck by rotating it in the clockwise direction as viewed from the chuck end.

Warning! Do not attempt to tighten drill bits (or any other accessory) by gripping the front part of the chuck and turning the tool on. Damage to the chuck and personal injury may occur when changing accessories in this manner.

Use

Warning! Let the tool work at its own pace. Do not overload.

Charging the battery (fig. A)

The battery needs to be charged before first use and whenever it fails to produce sufficient power on jobs that were easily done before. The battery may become warm while charging; this is normal and does not indicate a problem.

Warning! Do not charge the battery at ambient temperatures below 10 °C or above 40 °C. Recommended charging temperature: approx. 24 °C.

Note: The charger will not charge a battery if the cell temperature is below approximately 10 °C or above 40 °C. The battery should be left in the charger and the charger will begin to charge automatically when the cell temperature warms up or cools down.

- ◆ To charge the battery (5), insert it into the charger (10).
The battery will only fit into the charger in one way. Do not force. Be sure that the battery is fully seated in the charger.
- ◆ Plug in the charger and switch on at the mains.

The charging indicator (11) will flash green continuously (slowly).

The charge is complete when the charging indicator (11) lights green continuously. The charger and the battery can be left connected indefinitely with the LED illuminated. The LED will change to flashing green (charging) state as the charger occasionally tops up the battery charge. The charging indicator (11) will be lit as long as the battery is connected to the plugged-in charger.

- ◆ Charge discharged batteries within 1 week. Battery life will be greatly diminished if stored in a discharged state.

Leaving the battery in the charger

The charger and battery pack can be left connected with the LED glowing indefinitely. The charger will keep the battery pack fresh and fully charged.

Charger diagnostics

If the charger detects a weak or damaged battery, the charging indicator (11) will flash red at a fast rate. Proceed as follows:

- ◆ Re-insert the battery (5).
- ◆ If the charging indicators continues flashing red at a fast rate, use a different battery to determine if the charging process works properly.
- ◆ If the replaced battery charges correctly, the original battery is defective and should be returned to a service centre for recycling.
- ◆ If the new battery gives the same indication as the original battery, take the charger to be tested at an authorised service centre.

Note: It may take as long as 60 minutes to determine that the battery is defective. If the battery is too hot or too cold, the LED will alternately blink red, fast and slow, one flash at each speed and repeat.


Selecting the direction of rotation (fig. E)

For drilling and for tightening screws, use forward (clockwise) rotation. For loosening screws or removing a jammed drill bit, use reverse (counterclockwise) rotation.

- ◆ To select forward rotation, push the forward/reverse slider (2) to the left.
- ◆ To select reverse rotation, push the forward/reverse slider to the right.
- ◆ To lock the tool, set the forward/reverse slider into the centre position.

Selecting the torque

This tool is fitted with a collar to set the torque for various screwdriving and drilling applications. Large screws and hard workpiece materials require a higher torque setting than small screws and soft workpiece materials. For the definition of the symbol refer to the listing below.

- ◆ For drilling in wood, metal and plastics, set the torque adjustment collar (4) to the  symbol.
- ◆ For screwdriving, set the collar to the desired setting. If you do not yet know the appropriate setting, proceed as follows:
 - Set the torque adjustment collar (4) to the lowest torque setting.
 - Tighten the first screw.
 - If the clutch ratchets before the desired result is achieved, increase the collar setting and continue tightening the screw. Repeat until you reach the correct setting. Use this setting for the remaining screws.

Speed selector

- ◆ For drilling in steel and for screwdriving applications, slide the speed selector (8) towards the rear of the tool (1st gear).
- ◆ For drilling in materials other than steel, slide the speed selector (8) towards the front of the tool (2nd gear).

Drilling/screwdriving

- ◆ Select forward or reverse rotation using the forward/reverse slider (2).
- ◆ To switch the tool on, press the switch (1). The tool speed depends on how far you press the switch.
- ◆ To switch the tool off, release the switch.

LED work light

The LED work light (7) is activated automatically when the trigger is depressed. The LED work light will illuminate when the trigger is partially depressed, before the unit begins running.

Hints for optimum use

Drilling

- ◆ Always apply a light pressure in a straight line with the drill bit.
- ◆ Just before the drill tip breaks through the other side of the workpiece, decrease pressure on the tool.
- ◆ Use a block of wood to back up workpieces that may splinter.
- ◆ Use spade bits when drilling large diameter holes in wood.
- ◆ Use HSS drill bits when drilling in metal.
- ◆ Use masonry bits when drilling in soft masonry.
- ◆ Use a lubricant when drilling metals other than cast iron and brass.
- ◆ Make an indentation using a centre punch at the centre of the hole to be drilled in order to improve accuracy.

Screwdriving

- ◆ Always use the correct type and size of screwdriver bit.
- ◆ If screws are difficult to tighten, try applying a small amount of washing liquid or soap as a lubricant.
- ◆ Always hold the tool and screwdriver bit in a straight line with the screw.

Maintenance

Your Stanley tool has been designed to operate over a long period of time with a minimum of maintenance. Continuous satisfactory operation depends upon proper tool care and regular cleaning.

Your charger does not require any maintenance apart from regular cleaning.

Warning! Before performing any maintenance on the tool, remove the battery from the tool. Unplug the charger before cleaning it.

- ◆ Regularly clean the ventilation slots in your tool and charger using a soft brush or dry cloth.
- ◆ Regularly clean the motor housing using a damp cloth. Do not use any abrasive or solvent-based cleaner.
- ◆ Regularly open the chuck and tap it to remove any dust from the interior.

Protecting the environment



Separate collection. This product must not be disposed of with normal household waste.

Should you find one day that your Stanley product needs replacement, or if it is of no further use to you, do not dispose of it with household waste. Make this product available for separate collection.



Separate collection of used products and packaging allows materials to be recycled and used again. Re-use of recycled materials helps prevent environmental pollution and reduces the demand for raw materials.

Local regulations may provide for separate collection of electrical products from the household, at municipal waste sites or by the retailer when you purchase a new product.

Batteries



Run the battery down completely, then remove it from the tool.

- ◆ NiCd, NiMH and Li-Ion batteries are recyclable. Take them to any authorised repair agent or a local recycling station.

STCD1080

10.8伏特 锂电池电源电钻

技术参数

STCD1080		
电压	伏 (直流)	10.8
空载速度	转/分	0-315, 0-1200
最大扭矩 (PTI额定)	牛米	27
夹头尺寸	毫米	10
最大钻孔性能 钢材/木材	毫米	10/25
重量	千克	1.1
充电器		
输入电压	伏 (交流)	220
输出电压	伏 (直流)	10.8
输出电流 (直流)	安培	2
充满电大约时间	分钟	30
电池		
电压	伏 (直流)	10.8
容量	安培小时	1.5
类型		Li-ion

设计用途

本史丹利电钻/起子机的设计用途是拧螺丝，以及在木材、金属、和塑料材料上钻孔。

安全须知

电动工具安全通则



警告！阅读说明。没有按照以下列举的说明而使用或操作将导致触电、着火和/或严重伤害。

请妥善保管所有警示与须知，以备将来参考使用。

在所有以下列举的警告中术语“电动工具”指用电动驱动（有线）电动工具或电池驱动（无线）电动工具。

1. 工作场地

- 保持工作场地清洁和明亮。**混乱和黑暗的场地会引发事故。
- 不要在易爆环境，如有易燃液体、气体或粉尘的环境下操作电动工具。**电动工具产生的火花会点燃粉尘或气体。
- 让儿童和旁观者离开后操纵电动工具。**分心会使你放松控制。

2. 电气安全

- 电动工具插头必须与插座相配。**不能以任何方式改装插头。需接地的电动工具不能使用任何转换插头。未经改装的插头和相配的插座将减少触电危险。
- 避免人体接触接地表面，如管道、散热片和冰箱。**如果你身体接地会增加触电危险。
- 不得将电动工具暴露在雨中或潮湿环境中。**水进入电动工具将增加触电危险。
- 不得滥用电线。绝不用电线搬运、拉动电动工具或拔出其插头。**让电动工具远离热、油、锐边或运动部件。受损或缠绕的电线会增加触电危险。
- 当在户外使用电动工具时，使用适合户外使用的外接电线。**适合户外使用的电线将减少触电危险。
- 如果在潮湿的环境中使用电动工具，请使用漏电保护装置（RCD）。**使用此装置可降低触电危险。

3. 人身安全

- 保持警觉，当操作电动工具时关注所从事的操作并保持清醒。**切勿在有疲倦、药物、酒精或治疗反应下操作电动工具。在操作电动工具期间精力分散会导致严重人身伤害。
- 使用安全装置。始终配戴护目镜。**安全装置，诸如适当条件下的防尘面具、防滑安全鞋、安全帽、听力防护等装置能减少人身伤害。
- 避免突然起动。**确保开关在插入插头时处于关断位置。手指放在已接通电源的开关上或开关处于接通时插入头可能会导致危险。
- 在电动工具接通之前，拿掉所有调节钥匙或扳手。**遗留在电动工具旋转零件上的扳手或钥匙会导致人身伤害。
- 手不要伸得太长。**时刻注意脚下和身体平衡。这样在意外情况下能很好地控制电动工具。
- 着装适当。不要穿宽松衣服或佩带饰品。**让你的头发、衣服和袖子远离运动部件。宽松衣服、佩饰或长发可能会卷入运动部件。
- 如果提供了与排屑装置、集尘设备连接用的装置，则确保他们连接完好且使用得当。**使用这些装置可减少碎屑引起的危险。

4. 电动工具使用和注意事项

- a. **不要滥用电动工具，根据用途使用适当的电动工具。** 选用适当的设计额值的电动工具会使你工作有效、更安全。
- b. **如果开关不能接通或关断工具电源，则不能使用该电动工具。** 不能用开关来控制的电动工具是危险的且必须进行修理。
- c. **在进行任何调节、更换附件或贮存电动工具之前，必须从电源上拔掉插头和 / 或将电池盒脱开电源。** 这种防护性措施将减少电动工具突然起动的危险。
- d. **将闲置电动工具贮存在儿童所及范围之外，并且不要让不熟悉电动工具或对这些说明不了解的人操作电动工具。** 电动工具在未经训练的用户手中是危险的。
- e. **保养电动工具。** 检查运动部件的安装偏差或卡住、零件破损情况和影响电动工具运行的其它条件。如有损坏，电动工具必须在使用前修理好。许多事故由维护不良的电动工具引发。
- f. **保持切削刀具锋利和清洁。** 保养良好的有锋利切削刃的刀具不易卡住而且容易控制。
- g. **按照使用说明书以及打算使用的电动工具的特殊类型要求的方式，考虑作业条件和进行的作业来使用电动工具、附件和工具的刀头等。** 电动工具用作那些与要求不符的操作可能会导致危险情况。

5. 电池式工具使用和注意事项

- a. **确保开关在插入电池盒前处于断开状态。** 将电池盒插入到开关状态为接通的电动工具上会引发事故。
- b. **只用制造商规定的充电器充电。** 将适用于某种电池盒的充电器用到其他电池盒时会发生着火危险。
- c. **只使用配有特制电池盒的电动工具。** 使用其他电池盒会发生损坏和着火危险。
- d. **当电池盒不用时，将它远离其他金属物体，例如回形针、硬币、钥匙、钉子、螺钉或其他小金属物体，以防一端与另一端连接。** 电池端部短路会引起燃烧或者火灾。
- e. **在滥用条件下，液体会从电池中溅出；避免接触。** 如果无意间碰到了，用水冲洗。如果液体碰到了眼睛，还要寻求医疗帮助。从电池中溅出的液体会发生腐蚀或燃烧。

6. 维修

- a. 让专业维修人员使用特定备件维修电动工具。这将保证所维修的电动工具安全。

电动工具的附加安全守则



注意！ 请遵守电钻和冲击钻的附加安全守则。

- ◆ **使用冲击钻时，请佩戴听力保护器。** 暴露在噪音中会损伤听力。
- ◆ **请使用随工具提供的辅助手柄。** 工具失控会导致人身伤害。
- ◆ **工具配件可能接触隐藏的导线时，请仅握持绝缘的把手表面。** 如果配件接触“带电”的导线，工具暴露金属部件的表面会“带电”，并且导致操作人员触电。
- ◆ **紧固件可能接触隐藏的导线时，请仅握持绝缘的把手表面。** 如果紧固件接触“带电”导线，工具暴露金属部件的表面会“带电”，并且导致操作人员触电。
- ◆ **请使用夹钳或其它切实可行的方法来固定和支撑工件，将其固定到稳定的工作台上。** 用手抓住工字钢件或用身体抵住工件并不稳定，可能会导致工件失控。
- ◆ **钻进墙壁，地板或天花板之前，请首先检查导线和管道的位置。**
- ◆ **刚刚钻完时，避免接触钻头，** 因为钻头可能很烫。
- ◆ **除非其安全负责人进行工具使用的监督或指导，** 否则体力，感知能力或心智不足的人（包括儿童），以及缺乏经验与相关知识的人不得使用本工具。必须看管儿童，勿使其拿本工具玩耍。
- ◆ **本指导手册已经说明了预定用途，** 如果配件或附件的使用，本工具的操作超出本指导手册建议的范围，则可能出现人身伤害和/或财产损失风险。

他人安全

- ◆ **除非其安全负责人进行工具使用的监督或指导，** 否则体力、感知能力或心智不足的人（包括儿童）不得使用本工具。
- ◆ **必须看管儿童，** 勿使其拿本工具玩耍。

残余风险

使用工具时，可能出现本安全警示之外的其它残余风险。这些风险可能来自使用不当、使用时间过长等。

尽管实行了相关的安全法规、采用安全装置，某些残余风险是不可避免的，这包括：

- ◆ 接触旋转/移动部件时的伤害风险。
- ◆ 更换部件、刀具或配件时的伤害风险。
- ◆ 长期使用时的伤害风险。长期使用任何工具时，均应定期休息。
- ◆ 听力损伤。
- ◆ 吸入工具使用过程中产生的粉尘后，导致健康风险（例如：使用木材，特别是橡木、山毛榉和中密度纤维板时）。

工具上的标志

本工具有如下图形标志：



警告！为降低伤害风险，使用前务必阅读使用手册。

电池组和充电器安全附则

电池

- ◆ 禁止以任何理由试图打开电池。
- ◆ 禁止与水接触。
- ◆ 禁止存放在温度可能超过40°C的地点。
- ◆ 仅在10到40°C的环境温度范围内充电。
- ◆ 仅使用随工具配备的充电器。
- ◆ 丢弃电池时，请遵守“保护环境”章节中的规定。



禁止给损坏的电池充电。

充电器

- ◆ 本史丹利充电器仅限于随电器/工具提供的电池充电。如用于其它电池，会导致电池爆炸，造成人身伤害与损坏。
- ◆ 严禁给非充电电池充电。
- ◆ 有问题的电源线应立即更换。
- ◆ 禁止暴露在水中。
- ◆ 请勿打开充电器。
- ◆ 请勿使用探针等直探充电器。



本充电座仅限室内使用。



使用工具前，请仔细阅读使用手册。

电气安全



本工具采用双重绝缘；因此不需要地线。请务必检查电源是否与铭牌上的电压一致。禁止使用普通插头代替充电器单元。

- ◆ 如果电源线损坏，必须由厂商或史丹利授权服务中心更换，以排除隐患。

部件名称

本工具包含以下部分或全部部件：

1. 调速开关
2. 正转/倒转拨杆
3. 工具夹头
4. 扭力调节环
5. 电池
6. 皮带夹
7. LED工作指示灯
8. 速度选择开关
9. 磁性夹头

图A

10. 充电器
11. 充电指示灯

组装

警告！组装之前，请把电池从工具上取下。

电池安装与拆卸步骤（图C）

- ◆ 要安装电池（5），将其对准工具上的电池插槽。然后，滑动电池进入插槽，向里推直至电池咬合到位。
- ◆ 要取下电池，按下释放按钮（12），同时把电池从插槽中拉出。

钻头或起子头的安装与拆卸步骤（图D）

本工具配有无键夹头，便于更换工具头。

- ◆ 把正转/倒转拨杆（2）设定到中心位置，即可锁定工具。
- ◆ 握住夹头（3）并逆时针旋转（从夹头端看）。
- ◆ 把工具头柄（13）插入夹头。
- ◆ 把夹头顺时针拧紧（从夹头端看）。

警告！禁止通过握住夹头前部并启动工具来紧固钻头（或任何其它配件）。这会损坏夹头并导致人身伤害。

使用步骤

警告！让电动工具在自有节奏下工作，请勿过载。

给电池充电（图A）

电池在首次使用前须充电；一旦不能产生充足电力来完成此前轻易完成的工作，亦需充电。充电过程中，电池会变热；这是正常现象，并非故障。

警告！请勿在环境温度低于10°C或大于40°C时给电池充电。建议充电温度为大约24°C。

注意：当电池温度低于大约10°C或高于40°C时，充电器不能给电池充电。此时，应把电池留在充电器中。当电池温度回暖或冷却下来后，充电器会自动开始充电。

- ◆ 要给电池（5）充电，将其插入充电器（10）中。电池只能以一种方式插入充电器。切勿强行插入。请确保电池与充电器完全配合到位。
- ◆ 插上充电器插头并打开电源开关。

充电指示灯（11）会连续闪烁绿光（慢速）。

充电指示灯（11）连续发绿光时，表明充电已经完成。充电器和电池可以无限期连接在一起，同时LED亮。充电器偶然给电池加满电时，LED会转变为绿色闪光（充电）状态。只要电池与插好插头的充电器保持连接，充电指示灯（11）就会发光。

- ◆ 电池放电后1个星期内应充电。如果存放放电后的电池，电池寿命会大大缩短。

把电池留在充电器中

充电器和电池组可以保持无期限连接，此时LED发光；充电器会保持电池充电并充满。

充电器故障诊断

如果充电器检测到电池已经老化或损坏，充电指示灯（11）会快速闪烁红光。此时，请按如下步骤操作：

- ◆ 重新插入电池（5）。
- ◆ 如果充电指示灯继续快速闪烁红光，请使用另一块电池来确定充电过程是否正常。

- ◆ 如果另一电池可以正常充电，则表明原电池失效，应送交维修中心回收。
- ◆ 如果另一电池遇到原电池同样的问题，请把充电器送往授权维修中心检测。

注意：确定电池是否失效需要的时间可能长达60分钟。如果电池过热或过冷，LED灯会快、慢交替闪红光，快、慢闪光各闪一次，如此往复。


选择旋转方向（图E）

当钻孔和紧固螺丝时，采用正转（顺时针）。松开螺丝或撤出卡住的钻头时，使用反转（逆时针）。

- ◆ 要选择正转，把正转/反转拨杆（2）推向左边。
- ◆ 要选择反转，把正转/反转拨杆推向右边。
- ◆ 要锁定工具，把正转/反转拨杆置于中间位置。

力矩的选择

本工具配有扭力调节环，可以满足各种锁螺丝和钻孔需要。对于大螺丝和硬材质工件，其力矩要求比小螺丝和软材质工件要高。各符号的定义如下：

- ◆ 在木材、金属及塑料上钻孔时，请把力矩调节环（4）设定到  图标。
- ◆ **锁螺丝时，把调节环设定到所需档位。如果您不清楚正确设定，请按如下步骤操作：**
 - 请把扭力调节环（4）设定到最小档。
 - 锁固第一颗螺丝。
 - 如果在达到所需结果前，离合器松开，请增加调节环的设定，继续锁螺丝，重复本步骤直到达到正确设定，并使用该设定来锁其余的螺丝。

速度选择开关

- ◆ 在钢材上钻孔，或锁螺丝时，请把速度选择开关（8）滑动到工具后部（1档）。
- ◆ 在非钢材材料上钻孔时，请把速度选择开关（8）滑动到工具前部（2档）。

钻孔/锁螺丝

- ◆ 使用正转/倒转拨杆（2）选择正转或倒转。
- ◆ 要启动工具，请按下开关（1）。工具速度取决于您按下开关的程度。
- ◆ 要关闭工具，松开开关即可。

LED工作指示灯

当触发开关被按下时，LED工作指示灯（7）会自动启动。当触发开关被部分按下时，在工具开始旋转之前，LED工作指示灯亮。

最佳操作提示

钻孔

- ◆ 始终保持轻度压力，与钻头成一直线。
- ◆ 在钻头即将透过工件另一侧时，降低对工具施加的压力。
- ◆ 如果工件可能碎裂，应衬以木块。
- ◆ 在木块上钻大直径孔时，应使用铲形钻头。
- ◆ 在金属上钻孔时，应使用HSS钻头。
- ◆ 在软砖上钻孔时，应使用砖石钻头。
- ◆ 在除铸铁或黄铜之外的金属上钻孔时，应使用润滑油剂。
- ◆ 使用中心冲头冲出孔的中心点，以提高准确性。

锁螺丝

- ◆ 请始终使用正确类型和尺寸的起子头。
- ◆ 如果螺丝难于紧固，可使用少量的洗涤剂或肥皂做润滑剂。
- ◆ 请始终保持工具和起子头与螺丝在同一直线上。

维护

本史丹利电动工具设计精良，可以长期运作，而只需极少的维护。要取得连续的令人满意的工作效果，需要您做合适的保养和定期的清洁。

除了定期清洁外，本充电器无须其它维护。

警告！维护工具前，必须从工具上取下电池；清洁充电器前，请拔下插头。

- ◆ 定期使用软刷或干布清洁工具的通风槽。
- ◆ 定期使用湿布清洁马达外壳，但不得使用任何研磨性或溶剂型清洁剂。
- ◆ 定期打开并轻拍夹头，清除内部灰尘。

保护环境



个别收集。本产品必须与一般家庭废物分开处理。

如果您发现您的史丹利产品需要进行替换，或您已经不再需要使用这些产品，请不要将它们与家庭废物一起处理。务必将本产品送往个别收集处。



个别收集用过的产品和包装允许材料再循环利用。重新使用循环利用的材料有助于防止环境污染，并减少原始材料的需求。

当您购买新产品时，可能提供从家用、城市垃圾站通过零售商个别收集电气产品的当地法规。

电池组



把电池组电力完全耗尽，然后从工具上取下。

- ◆ 镍镉和镍氢电池是可以回收的。把它们送往经销商或者本地的回收站。

制造厂：史丹利百得精密制造（深圳）有限公司
地 址：广东省深圳市宝安区石岩街道水田社区捷和工业城

STDC001L 10.8V 리튬이온 드릴 기술 데이터

		STDC001L	
전압	V _{DC}	10.8	
무부하회전수	/min	0-315, 0-1200	
최대 토크 (PTI 등급)	Nm	27	
척 크기	mm	10	
최대 작업능력			
금속/목재	mm	10/25	
무게	kg	1.1	
충전기			
입력 전압	V _{AC}	220	
출력 전압	V _{DC}	10.8	
출력 전류(DC)	A	2	
대략적 충전 시간	min	30	
배터리			
전압	V _{DC}	10.8	
하중	Ah	1.5	
유형		리튬 이온	

용도

스탠리 드릴/드라이버는 나사를 조이거나 나무, 금속 및 플라스틱의 드릴 작업용으로 설계되었습니다.

안전 지침

전동 공구에 관한 일반 안전 경고



경고! 모든 안전 경고와 모든 지시사항을 읽으십시오. 아래 나열된 경고와 지시 사항을 준수하지 않으면 감전, 화재 및/또는 심각한 부상을 초래할 수 있습니다.

향후 참고할 수 있도록 모든 경고 및 지시 사항을 보관해 두십시오.

아래의 모든 경고에서 사용된 "전동 공구"라는 말은 주 공급 전원에 의해 전기 공급되는(코드 있음) 전동 공구 또는 충전식(코드 없음) 전동 공구를 의미합니다.

1. 작업장 안전

- a. 작업 영역을 청결하고 조명을 밝게 유지하십시오. 혼잡하거나 어두운 작업장에서는 사고가 발생하기 쉽습니다.
- b. 기연성 액체, 가스 또는 먼지 등이 있는 폭발성 대기에서 전동 공구를 사용하지 마십시오. 전동 공구에서 먼지나 가스를 발사시킬 수 있는 불꽃이 될 수 있습니다.
- c. 전동 공구로 작업하는 동안에는 어린이와 주변 사람들이 작업 영역에 가까이 들어오지 못하도록 하십시오. 주변이 산만해져 통제력을 잃을 수 있습니다.

2. 전기 안전

- a. 전동 공구의 플러그는 콘센트와 형식이 일치해야 합니다. 플러그를 어떤 방식으로든 절대 개조하지 마십시오.

- 접지된(지면 접지) 전동 공구에 어떤 어댑터 플러그도 사용하지 마십시오. 개조되지 않은 플러그 및 형식이 일치하는 콘센트를 사용하면 감전 위험이 줄어듭니다.
- b. 파이프, 라디에이터, 렌즈 및 냉장고 등과 같이 접지된 표면에 신체가 접촉하지 않도록 하십시오. 신체가 접지되어 있으면 감전 위험이 높아집니다.
- c. 전동 공구를 비 또는 습한 환경에 노출하지 않도록 주의하십시오. 전동 공구에 물이 들어가면 감전 위험이 높아집니다.
- d. 코드를 함부로 다루지 마십시오. 코드를 사용하여 전동 공구를 운반하거나 잡아당기거나 플러그를 뽑지 마십시오. 열, 오일, 날카로운 모서리 또는 움직이는 부품에서 멀리 떨어진 장소에 코드를 보관하십시오. 코드가 손상되거나 얽혀 있으면 감전 위험이 높아집니다.
- e. 전동 공구를 실외에서 사용할 때는 실외 사용에 적합한 연장 코드를 사용하십시오. 실외 사용에 적합한 코드를 사용하면 감전 위험이 줄어듭니다.
- f. 어쩔 수 없이 습한 장소에서 전동 공구를 사용해야 하는 경우에는 누전 차단기(RCD)로 보호된 전원을 공급하십시오. RCD를 사용하면 감전 위험이 줄어듭니다.

3. 신체 안전

- a. 전동 공구로 작업할 때는 방심하지 말고 작업에 주의하면서 상식에 따르십시오. 피곤한 상태이거나 약물, 술, 치료제를 복용한 상태에서는 전동 공구를 사용하지 마십시오. 전동 공구를 사용하는 중에 주의력을 잃어 순간적으로 부상을 당할 수 있습니다.
- b. 신체 보호 장비를 착용하십시오. 항상 보안경을 착용하십시오. 상황에 맞게 방진 마스크, 미끄럼 방지 안전화, 안전모 또는 청력 보호 기구 등의 보호 장비를 사용하면 신체 부상 위험이 줄어듭니다.
- c. 갑작스러운 장비 가동을 방지하십시오. 전원 및/또는 배터리 팩에 연결한 상태로 공구를 선택 또는 운반할 때는 사전에 스위치가 꺼짐 위치에 있는지 반드시 확인하십시오. 스위치가 켜짐 위치에 있는 상태에서 스위치에 손가락이 닿은 상태로 전동 공구를 운반하거나 전동 공구에 전원을 공급하면 사고가 발생합니다.
- d. 전동 공구를 켜기 전에 모든 조정 키 또는 렌치를 제거하십시오. 전동 공구의 회전 부품에 렌치나 키가 부착되어 있으면 부상을 당할 수 있습니다.
- e. 무리하게 팔을 뻗지 마십시오. 항상 올바른 자세로 서서 균형을 유지하십시오. 그러면 예기치 않은 상황에서 전동 공구에 대한 제어력이 향상됩니다.
- f. 적절한 의복을 착용하십시오. 헐렁한 옷이나 장신구를 착용하지 마십시오. 머리카락, 옷 및 장갑이 움직이는 부품에 닿지 않도록 유의하십시오. 헐렁한 옷, 장신구 또는 긴 머리카락은 움직이는 부품에 낄 수 있습니다.
- g. 먼지 배출 및 집진 시설 연결을 위한 장치가 제공된 경우, 이를 장치가 연결되어 적절히 사용되고 있는지 반드시 확인하십시오. 집진 장치를 사용하면 먼지와 관련된 위험을 줄일 수 있습니다.

4. 전동 공구 사용 및 관리

- a. 전동 공구에 무리한 힘을 가하지 마십시오. 해당 용도에 맞는 올바른 전동 공구를 사용하십시오. 올바른 전동 공구를 사용하여 설계된 속도로 작업을 더욱 안전하고 정확하게 수행할 수 있습니다.
- b. 스위치 켜짐/꺼짐이 되지 않는 전동 공구는 사용하지 마십시오. 스위치로 제어되지 않는 전동 공구는 위험하며 수리해야 합니다.
- c. 전동 공구를 조정하거나 액세서리를 변경하거나 보관하기 전에 전원 및/또는 배터리 팩에서 플러그를 뽑으십시오. 이러한 예방적 안전 조치를 따라야 전동 공구가 갑자기 작동할 위험이 줄어듭니다.
- d. 사용하지 않는 전동 공구는 어린이의 손이 닿지 않는 곳에 보관하고, 전동 공구나 본 지시 사항에 익숙하지 않은 사람이 전동 공구를 절대 사용하지 못하게 하십시오. 전동 공구는 훈련을 받지 않은 사용자가 다루면 위험합니다.
- e. 전동 공구 유지 보수, 움직이는 부품의 잘못된 정렬이나 바인딩, 부품 파손 및 기타 전동 공구의 작동에 영향을 미칠 수 있는 상태가 있는지 확인하십시오. 손상된 부분이 있는 경우 사용하기 전에 전동 공구를 수리하십시오. 많은 사고는 전동 공구를 제대로 유지 보수하지 않아 발생합니다.
- f. 절삭 공구를 예리하고 깨끗한 상태로 유지하십시오. 절단지식 가장자리를 예리하게 잘 유지하면 절단기를 사용할 때 바인딩이 적고 다루기가 용이합니다.
- g. 작업 환경과 수행할 작업을 고려하여, 본 지시 사항에 따라 전동 공구, 액세서리 및 톨 비트 등을 사용하십시오. 본 사용 설명서의 내용과 다른 용도로 전동 공구를 사용하면 위험한 상황이 발생할 수 있습니다.

5. 배터리 공구 사용 및 관리

- a. 다시 충전할 때는 제조업체에서 지정한 충전기만 사용하십시오. 한 배터리 팩 유형에 적합한 충전기를 다른 배터리 팩과 함께 사용할 경우 화재의 위험이 있습니다.
- b. 전동 공구를 사용할 때는 특수 설계된 배터리 팩을 함께 사용하십시오. 다른 배터리 팩을 사용하면 부상을 입거나 화재의 위험이 있습니다.
- c. 배터리 팩을 사용하지 않을 때에는 클립, 동전, 키, 못, 나사 등의 금속 물체가, 단자 간에 연결할 수 있는 작은 금속 물체가 닿지 않도록 멀리 두십시오. 배터리 단자가 단락되면 화상을 입거나 화재가 발생할 위험이 있습니다.
- d. 배터리를 과다 사용하면 액체가 배터리에서 흘러 나올 수 있으므로 접촉을 피하십시오. 실수로 접촉한 경우에는 물로 씻으십시오. 액체가 눈에 들어가면 치료를 받으십시오. 배터리에서 나온 액체는 통증을 유발하거나 화상을 입힐 수 있습니다.

6. 정비

- a. 자격을 갖춘 기술자가 동일 교체 부품을 사용하여 정비 작업을 수행해야 합니다. 그래야 전동 공구의 안전이 보장됩니다.

전동 공구에 관한 추가 안전 경고



경고! 드릴 및 임팩트 드릴에 대한 추가 안전 경고

- ◆ 임팩트 드릴 사용 시 귀 보호 장비를 착용하십시오. 소음에 노출되면 청력이 손상될 수 있습니다.
- ◆ 공구와 함께 제공되는 사이드 핸들을 사용하십시오. 제어력을 잃으면 신체 부상을 당할 수 있습니다.
- ◆ 절삭 액세서리가 숨겨진 배선에 접촉할 수 있는 작업을 수행할 때는 절연된 그림핑 표면이 닿도록 하여 전동 공구를 잡으십시오. "전류가 흐르는" 전선에 접촉된 절삭 액세서리는 전동 공구의 노출된 금속 부품을 "전류가 흐르는" 상태로 만들어 작업자를 감전시킬 수 있습니다.
- ◆ 패스너가 숨겨진 배선에 접촉할 수 있는 작업을 수행할 때는 전동 공구 손잡이의 절연된 부분을 잡으십시오. "전류가 흐르는" 전선에 접촉된 패스너는 전동 공구의 노출된 금속 부품을 "전류가 흐르는" 상태로 만들어 작업자를 감전시킬 수 있습니다.
- ◆ 클램프 또는 다른 적절한 방식을 이용하여 안정된 작업대에 작업 공구들을 고정 및 지지하십시오. 작업물을 손으로 잡거나 몸으로 지탱하는 행동은 불안정하여 제어력을 잃을 수 있습니다.
- ◆ 벽, 바닥 또는 천장에 드릴 작업을 하기 전에 배선 및 파이프의 위치를 확인하십시오.
- ◆ 드릴 작업을 한 후에는 드릴 끝이 뜨거울 수 있으므로 만지지 마십시오.
- ◆ 이 공구는 신체, 지각 또는 정신 능력이 낮거나 경험 및 지식이 부족한 사람(어린이 포함)이 사용하도록 설계되지 않았습니다. 이러한 사람이 사용할 때는 안전 책임자의 감독 또는 제품 사용과 관련된 지시 사항이 필요합니다. 어린이가 본 제품을 가지고 놀지 못하도록 항상 주시해야 합니다.
- ◆ 본 사용 설명서에 제품의 용도가 설명되어 있습니다. 본 사용 설명서에서 권장하는 방식 이외의 다른 방식으로 본 공구를 조작하거나 액세서리 또는 부착물을 사용하는 경우 신체 부상의 위험이 있거나 재산상의 손해가 발생할 수 있습니다.

다른 사람들의 안전

- ◆ 이 제품은 신체, 시각 또는 정신 능력이 낮거나 경험 및 지식이 부족한 사람(어린이 포함)이 사용하도록 설계되지 않았습니다. 이러한 사람이 사용할 때는 안전 책임자의 감독 또는 제품 사용과 관련된 지시 사항이 필요합니다.
- ◆ 어린이가 본 제품을 가지고 놀지 못하도록 항상 주시해야 합니다.

기타 잔류 위험.

공구를 사용할 때 동봉된 안전 경고에 포함되어 있지 않은 잔류 위험이 발생할 수 있습니다. 이러한 위험은 오용, 장시간 사용 등으로 인해 발생할 수 있습니다. 관련된 안전 규정을 준수하고 안전 장치를 사용한다고 해도 어떤 잔류 위험은 피할 수 없습니다. 이러한 위험으로는 다음과 같은 것들이 있습니다.

- ◆ 회전 부품이나 작동 부품을 만져 발생하는 부상.
- ◆ 부품, 톱날 또는 액세서리 변경으로 인한 부상.
- ◆ 장시간에 걸친 공구 사용으로 인한 부상.
어떤 공구이든 장시간에 걸쳐 사용할 때는 반드시 정기적인 휴식을 취하십시오.
- ◆ 청력 손상.
- ◆ 공구 사용 중에 발생하는 먼지를 호흡하여 유발되는 건강 위해성(예: 목재, 특히 오크, 너도밤나무 및 MDF 가공 작업).

공구 라벨

공구에는 다음과 같은 기호가 표시되어 있습니다.



경고! 부상 위험을 줄이려면 사용자는 사용 설명서를 주의 깊게 읽어야 합니다.

배터리와 충전기 관련 추가 안전 지시 사항

배터리

- ◆ 어떤 이유로든 배터리 팩을 절대 열려고 하지 마십시오.
- ◆ 배터리에 물이 닿지 않도록 하십시오.
- ◆ 온도가 40 °C를 초과할 수 있는 곳에 보관하지 마십시오.
- ◆ 주변 온도가 10 °C-40 °C 사이에 있을 때에만 충전하십시오.
- ◆ 충전할 때는 이 공구와 함께 제공된 충전기만 사용해야 합니다.
- ◆ 배터리를 폐기할 때는 "환경 보호" 단원에 나와 있는 지시 사항을 따르십시오.



손상된 배터리를 충전하지 마십시오.

충전기

- ◆ 공구와 함께 제공된 배터리를 충전할 때는 스텐리 충전기만 사용하십시오. 다른 배터리를 사용하면 배터리가 폭발하여 신체 부상을 당하거나 손해를 입을 수 있습니다.
- ◆ 절대로 비충전식 배터리를 충전하려고 하지 마십시오.
- ◆ 손상된 코드는 즉시 교체하십시오.
- ◆ 충전기에 물이 닿지 않도록 하십시오.
- ◆ 충전기를 해체하거나 열지 마십시오.
- ◆ 충전기 내부를 검사하지 마십시오.



충전기는 실내용으로만 사용합니다.



사용하기 전에 사용 설명서의 내용을 숙지하십시오.

전기 안전



본 충전기는 이중으로 절연되어 있으므로 접지가 필요 없습니다. 전원 전압이 명판에 기재된 전압과 일치하는지 항상 확인하십시오. 충전기를 절대로 일반 전원 플러그로 교체하지 마십시오.

- ◆ 전원 코드가 손상된 경우 사고가 발생하지 않도록 제조업체 또는 공인 스텐리 서비스 센터에서 교체해야 합니다.

기능

본 공구에는 다음 기능들 중 일부 또는 모두가 포함되어 있습니다.

1. 변속 스위치
2. 전진/후진 슬라이더
3. 척
4. 토크 조절 칼라
5. 배터리
6. 벨트 클립
7. LED 작업등
8. 속도 선택기
9. 마그네틱 비트 홀더

그림 A

10. 충전기
11. 충전 표시등

조립

경고! 조립하기 전에 공구에서 배터리를 분리하십시오.

배터리 장착 및 분리(그림 C)

- ◆ 배터리(5)를 끼우려면 배터리를 공구의 배터리 장착부에 맞춥니다. 배터리를 배터리 장착부에 밀어 넣어 제자리에 끼웁니다.

- ◆ 배터리를 분리하려면 두 개의 해제 버튼(12)을 누름과 동시에 배터리를 배터리 장착부 밖으로 뺍니다.

드릴 비트 또는 드라이버 비트 장착 및 분리(그림 D)

이 공구에는 키가 필요없는 척이 장착되어 있어 비트를 쉽게 교환할 수 있습니다.

- ◆ 전진/후진 슬라이더(2)를 가운데로 설정하여 공구를 잠급니다.
- ◆ 척(3)을 잡고, 척 끝에서 봤을 때 시계 반대 방향으로 척을 돌립니다.
- ◆ 비트 상크(13)를 척에 삽입합니다.
- ◆ 척 끝에서 봤을 때 시계 반대 방향으로 척을 돌려 척을 꽉 조입니다.

경고! 척의 앞부분을 쥐고 공구를 켜는 식으로 드릴 비트(또는 다른 모든 액세서리)를 조이지 마십시오. 이런 식으로 액세서리를 교체할 경우 척이 손상되거나 신체 부상이 발생할 수 있습니다.

사용 방법

경고! 공구를 정상 속도로 가동하십시오. 과부하가 발생하면 안 됩니다.

배터리 충전(그림 A)

배터리는 처음 사용하기 전에, 그리고 이전에 간단히 수행했던 작업에서 전력이 부족할 때마다 충전해야 합니다. 충전 중에 배터리가 뜨거워질 수도 있습니다. 이는 정상적인 현상이며 고장이 아닙니다.

경고! 주변 온도가 10°C 미만 또는 40°C를 초과했을 때는 배터리를 충전하지 마십시오. 권장되는 충전 온도는 약 24°C입니다.

참고: 셀 온도가 10°C 미만이거나 40°C를 초과했을 때는 충전기가 배터리를 충전하지 않습니다. 배터리를 충전기에 남겨 두면 셀 온도가 증가하거나 냉각되면 충전기가 자동으로 충전을 시작합니다.

- ◆ 배터리(6)를 충전하려면, 충전기(10)에 배터리를 삽입합니다. 배터리는 충전기에 한 방향으로만 장착됩니다. 힘을 주지 마십시오. 충전기에 배터리가 완전히 장착되도록 하십시오.
- ◆ 충전기를 꽂은 뒤 본체의 전원을 켜십시오. 충전 표시등(11)이 녹색으로 천천히 깜빡입니다. 충전 표시등(11)이 녹색으로 계속 켜져 있으면 충전이 완료된 것입니다. 충전기와 배터리를 계속 연결된 상태로 둘 수 있는데, 이 경우 LED는 계속 켜집니다. 충전기가 배터리 전하를 충전할 때마다 LED가 녹색 점멸 상태(충전)로 바뀝니다. 전원이 들어오는 충전기에 연결된 동안 충전 표시등(11)이 계속 켜져 있습니다.
- ◆ 방전된 배터리는 1주일 안에 충전하십시오. 방전된 상태로 보관하면 배터리 수명이 크게 저하됩니다.

배터리를 충전기에 두기

충전기와 배터리 팩이 연결된 상태로 둘 수 있는데, 이 경우 LED는 계속 켜진 상태로 유지됩니다. 충전기는 배터리 팩을 완전 충전 상태로 유지합니다.

충전기 진단

충전기가 약하거나 손상된 배터리를 감지하면 충전 표시등(11)이 적색으로 빠르게 깜빡입니다. 다음과 같이 조치하십시오.

- ◆ 배터리(5)를 다시 삽입합니다.
- ◆ 충전 표시등(11)이 적색으로 빠르게 깜빡이면 다른 배터리를 사용해 충전 프로세스가 제대로 작동하는지 확인하십시오.
- ◆ 교체한 배터리가 제대로 충전되면 원래의 배터리에 결함이 있는 것이므로 재활용을 위해 서비스 센터에 보내야 합니다.
- ◆ 새 배터리가 원래의 배터리와 동일한 증상을 보인다면 공인 서비스 센터에서 충전기를 검사하십시오.

참고: 배터리 결함 유무를 확인하는 데는 약 60분이 소요됩니다. 배터리 온도가 너무 높거나 낮으면 LED가 적색으로 빠른 점멸과 느린 점멸을 한 번씩 반복합니다.

회전 방향 선택(그림 E)

드릴 작업을 하고 나사를 조이려면 전진(시계 방향) 회전을 사용하십시오. 나사를 풀거나 꽉 끼인 드릴 비트를 분리하려면 후진(시계 반대 방향) 회전을 사용하십시오.

- ◆ 전진 회전을 선택하려면 전진/후진 슬라이더(2)를 왼쪽으로 누릅니다.
- ◆ 후진 회전을 선택하려면 전진/후진 슬라이더를 오른쪽으로 누릅니다.
- ◆ 공구를 잠그려면 전진/후진 슬라이더를 가운데로 설정합니다.

토크 선택

이 공구는 칼라를 사용해 다양한 드라이버 작업 및 드릴 작업에 맞추어 토크를 설정할 수 있습니다. 대형 나사 및 경질 작업물 재료는 소형 나사 및 연성 작업물 재료보다 더 높은 토크 설정이 필요합니다. 기호에 대한 설명은 아래의 표를 참조하십시오.

- ◆ 목재, 금속 및 플라스틱의 드릴 작업 시에는 토크 조절 칼라(4)를 2 기호로 설정합니다.
- ◆ 나사를 조일 때는 칼라를 원하는 설정으로 지정합니다. 적절한 설정을 모를 경우에는 다음과 같이 진행하십시오.
 - 토크 조절 칼라(4)를 최저 토크 설정으로 지정합니다.
 - 첫 번째 나사를 조입니다.
 - 원하는 결과를 얻기 전에 클러치가 단계적으로 올라가면 칼라 설정을 증가시키고 나사를 계속 조입니다. 올바른 설정이 될 때까지 반복합니다. 나머지 나사에 이 설정을 사용합니다.

속도 선택기

- ◆ 강철 드릴 작업 및 나사를 조이는 작업에 사용할 경우에는 속도 선택기(8)를 공구 뒤쪽(1단기어)으로 맞춥니다.
- ◆ 강철 이외 소재에서의 드릴 작업에서는 속도 선택기(8)를 공구 앞쪽(2단 기어)으로 맞춥니다.

드릴 작업/나사 조이기

- ◆ 전진/후진 슬라이더(2)를 사용하여 전진 또는 후진 회전을 선택합니다.
- ◆ 공구를 켜려면 스위치(1)를 누릅니다. 공구 속도는 스위치를 누르는 깊이에 따라 달라집니다.
- ◆ 공구를 끄려면 스위치를 해제합니다.

LED 작업등

LED 작업등(7)은 트리거를 누르면 자동으로 작동됩니다. 공구가 작동하기 전에 트리거를 살짝 누르면 LED 작업등이 자동으로 켜집니다.

최적의 사용법

드릴 작업

- ◆ 항상 드릴 비트에 직선으로 가벼운 압력을 가하십시오.
- ◆ 드릴 끝이 작업물의 다른 쪽 끝을 뚫고 나오기 전에 공구에 가하는 압력을 줄이십시오.
- ◆ 쪼개지기 쉬운 작업물을 지지하려면 나무 블록을 사용하십시오.
- ◆ 나무에 큰 지름의 구멍을 뚫을 때는 스페이드 비트를 사용하십시오.
- ◆ 금속의 드릴 작업 시에는 HSS 드릴 비트를 사용하십시오.
- ◆ 연성 석재의 드릴 작업 시에는 석재용 비트를 사용하십시오.
- ◆ 주철과 황동 이외의 금속 드릴 작업 시에는 윤활유를 사용하십시오.
- ◆ 정확도를 향상시키기 위해 드릴 작업을 하려면 구멍 가운데에서 중앙 펀치를 사용하여 톱니 모양으로 만드십시오.

나사 조이기

- ◆ 항상 올바른 유형과 크기의 드라이버 비트를 사용하십시오.
- ◆ 나사를 조이기 어려우면 소량의 액체 세제 또는 비누를 윤활유로 사용해 보십시오.
- ◆ 항상 공구와 드라이버 비트가 나사와 일직선이 되게 잡으십시오.

유지 보수

스탠리 전동 공구는 최소한의 유지 보수로 장기간에 걸쳐 작업이 가능하도록 설계되어 있습니다. 연속 작동은 적절한 공구 관리와 정기적인 청소로 따라 그 성능이 달라질 수 있습니다.

충전기는 정기적인 청소 이외에 유지 보수가 필요하지 않습니다.

경고! 공구를 유지 보수하려면 먼저 공구에서 배터리를 분리하십시오. 충전기를 청소하기 전에 충전기의 플러그를 뽑으십시오. 부드러운 브러시와 마른 헝겊으로 공구 및 충전기의 환기구를 주기적으로 청소하십시오.

- ◆ 젖은 헝겊으로 모터 하우징을 주기적으로 청소하십시오.
- ◆ 연마재 및 유성 클리너를 사용하지 마십시오.
- ◆ 척을 주기적으로 열고 가법게 두드려 내부의 먼지를 털어내십시오.

환경 보호



분리 수거. 본 제품을 일반 가정용 쓰레기로 처리하면 안됩니다.

스탠리 제품을 교체해야 하거나 더 이상 쓸모가 없어졌다고 판단될 때는 본 제품을 가정용 쓰레기와 함께 처리하지 마십시오. 이 제품은 분리 수거하십시오.



사용하던 제품과 포장을 분리 수거하면 자원을 재활용 및 재사용할 수 있습니다. 재활용 자원을 이용하면 환경 오염이 방지되고 고철 자원에 대한 수요를 줄일 수 있습니다.

지역에 따라 가정용 가전제품을 분리 수거하는 규정이 마련되어 있거나 새로운 제품을 구입할 때 판매점에서 폐기 방법을 알려줄 수 있습니다.

배터리



배터리를 완전히 사용하고 난 후 공구에서 분리하십시오.

- ◆ NiCd, NiMH 및 리튬이온 배터리는 재활용할 수 있습니다. 공인 수리점이나 지역 재활용 센터로 가져가십시오.

STDC001L 10.8V BOR LI-ION

Data teknis

STDC001L		
Voltase	V_{DC}	10.8
Kecepatan tanpa beban	/min	0-315, 0-1200
Kopel maksimum (Rating PTI)	Nm	27
Kapasitas gagang gerak	mm	10
Kapasitas bor maksimum		
Baja/kayu	mm	10/25
Berat	kg	1.1
Pengisi daya		
Voltase masuk	V_{AC}	220-240
Voltase keluar	V_{DC}	10.8
Arus keluar (DC)	A	2
Kisaran waktu isi ulang daya	min	30
Baterai		
Voltase	V_{DC}	10.8
Kapasitas	Ah	1.5
Tipe		Li-Ion

Tujuan penggunaan

Bor/obeng Stanley Anda dirancang untuk aplikasi mengobeng dan mengebor kayu, logam, dan plastik.

Petunjuk keselamatan

Peringatan umum untuk keamanan perkakas listrik



Peringatan! Baca seluruh peringatan keselamatan dan seluruh petunjuk. Kegagalan mengikuti peringatan dan petunjuk yang tercantum di bawah ini dapat mengakibatkan sengatan listrik, kebakaran, dan/atau cedera berat.

Simpan semua peringatan dan petunjuk untuk pedoman pada masa mendatang.

Istilah "perkakas listrik" dalam seluruh peringatan yang tercantum di bawah ini merujuk pada perkakas listrik induk (berkabel) atau perkakas listrik baterai (tanpa kabel) Anda.

1. Keselamatan area kerja

- Jaga agar area kerja tetap bersih dan terang. Area yang berantakan atau gelap mengundang kecelakaan.
- Jangan mengoperasikan perkakas listrik ini di lingkungan yang mudah menimbulkan bahaya ledakan, seperti di tempat yang terdapat cairan mudah terbakar, gas, atau debu. Perkakas listrik ini menimbulkan percikan api yang dapat membakar debu atau uap.
- Jauhkan anak-anak dan orang yang berada di sekitar, sewaktu mengoperasikan perkakas listrik. Gangguan dapat menyebabkan Anda kehilangan kendali.

2. Keamanan listrik

- Steker perkakas listrik harus sesuai dengan soketnya. Jangan sekali-kali memodifikasi steker dengan cara apa pun. Jangan gunakan steker adaptor apa pun

dengan perkakas listrik yang dibumikan (grounded). Steker yang tidak dimodifikasi dan stop kontak yang sesuai akan mengurangi risiko sengatan listrik.

- Hindari kontak badan dengan permukaan yang dibumikan (grounded), seperti pipa, radiator, kompor, dan kulkas. Risiko sengatan listrik dapat bertambah jika tubuh Anda mengenai permukaan yang dibumikan (grounded).
- Jangan sampai perkakas listrik ini terkena hujan atau terpapar ke kondisi yang basah. Air yang masuk ke perkakas listrik akan meningkatkan risiko sengatan listrik.
- Jangan menyalahgunakan kabel. Jangan sekali-kali menggunakan kabel untuk membawa, menarik atau mencabut perkakas listrik. Jauhkan kabel dari panas, minyak, tepi tajam, atau komponen yang bergerak. Kabel rusak atau terbelit meningkatkan risiko sengatan listrik.
- Bila mengoperasikan perkakas listrik di luar ruangan, gunakan kabel sambungan yang sesuai untuk penggunaan di luar ruangan. Menggunakan kabel yang sesuai untuk penggunaan di luar ruangan akan mengurangi risiko sengatan listrik.
- Jika penggunaan perkakas listrik di lokasi yang lembab tidak dapat dihindari, gunakan suplai terlindung piranti arus listrik residual (RCD). Penggunaan RCD mengurangi risiko sengatan listrik.

3. Keselamatan diri

- Tetap waspada, perhatikan apa yang Anda kerjakan dan gunakan akal sehat ketika mengoperasikan perkakas listrik. Jangan mengoperasikan perkakas listrik bila Anda sedang lelah, atau berada di bawah pengaruh obat, alkohol, dan pengobatan. Kelengahan sesaat saja ketika mengoperasikan perkakas listrik dapat menyebabkan cedera diri yang parah.
- Gunakan peralatan pelindung diri. Selalu kenakan alat pelindung mata. Peralatan pelindung, seperti masker debu, sepatu keselamatan anti-selip, topi keras, atau pelindung telinga yang digunakan untuk kondisi yang sesuai akan menghindarkan cedera diri.
- Hindarkan menyalakan perkakas tanpa disengaja. Pastikan bahwa saklar sudah dalam posisi mati sebelum menghubungkannya ke sumber listrik dan/atau kemasam baterai, mengambil, atau membawa perkakas. Membawa perkakas listrik dengan jari Anda pada saklar pada saklar atau menghidupkan perkakas listrik yang saklarnya masih menyala akan mengundang kecelakaan.
- Lepaskan semua kunci setelan atau kunci pas sebelum menghidupkan perkakas listrik. Kunci pas atau kunci yang dibiarkan terpasang pada komponen perkakas listrik yang berputar dapat menyebabkan cedera diri.
- Jangan melampaui batas. Selalu jaga pijakan dan keseimbangan yang baik. Hal ini memungkinkan Anda untuk mengendalikan perkakas listrik dengan lebih baik dalam situasi yang tidak terduga.
- Kenakan pakaian yang sesuai. Jangan mengenakan pakaian longgar atau perhiasan. Jauhkan rambut, pakaian dan sarung tangan dari komponen yang bergerak. Pakaian yang longgar, perhiasan, atau rambut

panjang dapat terperangkap dalam komponen yang bergerak.

- g. Jika disediakan perangkat untuk sambungan fasilitas pengeluaran dan pengumpulan debu, pastikan perangkat ini dihubungkan dan digunakan dengan sesuai. Penggunaan perangkat pengumpul debu dapat mengurangi bahaya yang ditimbulkan oleh debu.
4. Penggunaan dan perawatan perkakas listrik
 - a. Jangan menggunakan perkakas listrik dengan paksa. Gunakan perkakas listrik yang benar untuk aplikasi Anda. Perkakas listrik yang tepat akan bekerja lebih baik dan aman pada tingkat kelajuan yang telah dirancang untuk perkakas itu.
 - b. Jangan gunakan perkakas listrik ini jika tombol tidak dapat menghidupkan dan mematikan perkakas. Perkakas listrik apa pun yang tidak dapat dikendalikan dengan tombol adalah berbahaya dan harus diperbaiki.
 - c. Lepaskan stop kontak dari sumber listrik dan/atau kemasan baterai dari perkakas listrik sebelum melakukan penyetelan apa pun, mengganti aksesoris, atau menyimpan perkakas listrik. Tindakan pencegahan demi keselamatan tersebut mengurangi risiko menjalankan perkakas listrik secara tak sengaja.
 - d. Simpan perkakas listrik yang tidak digunakan jauh dari jangkauan anak-anak, dan jangan membolehkan orang yang tidak memahami perkakas listrik atau petunjuk ini untuk mengoperasikannya. Perkakas listrik bisa berbahaya bila digunakan oleh pengguna yang tidak terlatih.
 - e. Rawat perkakas listrik. Lakukan pemeriksaan untuk mengetahui apakah ada komponen bergerak yang tidak seajar atau bengkok, komponen yang patah, dan kondisi lainnya yang dapat mempengaruhi pengoperasian perkakas listrik. Jika rusak, perbaiki dahulu perkakas listrik sebelum digunakan. Banyak terjadi kecelakaan akibat perkakas listrik yang tidak terawat baik.
 - f. Jaga ketajaman dan kebersihan alat pemotong. Alat potong yang terawat baik dengan tepi pemotongan yang tajam akan lebih mudah dikendalikan dan kecil kemungkinannya untuk terjepit.
 - g. Gunakan perkakas listrik, aksesoris, dan mata bor, dsb. sesuai instruksi-instruksi ini, dengan memperhatikan persyaratan kerja dan jenis pekerjaan yang harus dilakukan. Menggunakan perkakas listrik untuk pengoperasian yang berbeda dengan yang dimaksudkan akan mengakibatkan situasi yang membahayakan.
 5. Penggunaan dan perawatan perkakas bertenaga baterai
 - a. Isi ulang daya baterai dengan pengisi daya yang ditetapkan oleh pabrikan. Pengisi daya yang cocok untuk satu tipe kemasan baterai bisa menimbulkan risiko kebakaran jika digunakan dengan kemasan baterai lainnya.
 - b. Gunakan perkakas hanya dengan kemasan baterai yang ditunjukkan secara khusus. Penggunaan kemasan baterai lainnya bisa menimbulkan risiko cedera dan kebakaran.
 - c. Pada saat kemasan baterai tidak dipakai, jauhkan kemasan baterai dari benda logam seperti klip penjepit

kertas, koin, kunci, paku, sekrup, atau benda logam kecil lainnya yang dapat membuat hubungan dari satu terminal dengan terminal lainnya. Memendekkan terminal baterai dapat menyebabkan luka bakar.

- d. Pemakaian yang salah bisa menyebabkan keluarnya cairan dari baterai; hindari kontak. Jika tidak sengaja terjadi kontak, bilas dengan air. Jika cairan mengenai mata, cari bantuan medis juga. Cairan yang keluar dari baterai bisa menyebabkan iritasi atau luka bakar.

6. Servis

- a. Perkakas listrik sebaiknya diservis oleh teknisi yang mahir dan hanya menggunakan komponen pengganti yang sama persis. Ini akan menjamin keselamatan perkakas terpelihara.

Peringatan tambahan untuk keamanan perkakas listrik



Peringatan! Peringatan keselamatan tambahan untuk bor dan bor dampak

- ◆ Gunakan pelindung telinga saat menggunakan bor tumbuk. Paparan terhadap kebisingan dapat mengakibatkan ketulian.
- ◆ Gunakan gagang pembantu yang disertakan bersama perkakas. Lepasnya kendali dapat menimbulkan cedera diri.
- ◆ Pegang perkakas listrik pada permukaan pegangan berpenyekat saat melakukan pengeboran di mana aksesoris pemotong dapat bersentuhan dengan kabel tersembunyi. Aksesoris pemotong yang bersentuhan dengan kabel bertegangan listrik dapat mengalirkan arus listrik pada komponen logam dari perkakas listrik dan menyebabkan sengatan listrik pada pengguna.
- ◆ Pegang perkakas listrik pada permukaan pegangan berpenyekat saat melakukan pengeboran di mana apitan baterai dapat bersentuhan dengan kabel tersembunyi. Apitan baterai yang bersentuhan dengan kabel bertegangan listrik dapat mengalirkan arus listrik pada komponen logam dari perkakas listrik dan menyebabkan sengatan listrik pada pengguna.
- ◆ Gunakan jepitan atau cara praktis lain untuk mengamankan dan menyangga benda yang dikerjakan pada landasan yang stabil. Memegang benda dengan tangan atau disandarkan pada tubuh Anda akan membuatnya tidak stabil dan dapat mengakibatkan lepasnya kendali.
- ◆ Sebelum mengebor tembok, lantai, atau langit-langit, periksa dulu penempatan kabel dan pipa.
- ◆ Hindari menyentuh ujung mata bor segera setelah mengebor, karena mungkin panas.
- ◆ Perkakas ini tidak ditujukan untuk penggunaan oleh orang (termasuk anak-anak) dengan kekurangan kemampuan fisik, sensorik, atau mental, atau kurang pengalaman dan pengetahuan, kecuali apabila mereka diberi pengawasan atau petunjuk tentang penggunaan alat ini oleh orang yang bertanggung jawab atas keselamatan mereka. Anak-anak harus diawasi agar mereka tidak bermain-main dengan perkakas ini.

- ◆ Tujuan penggunaan dijelaskan dalam buku petunjuk ini. Penggunaan aksesoris, atau tambahan, atau kinerja operasi apa pun dengan perkakas ini yang tidak sesuai dengan anjuran buku petunjuk ini dapat mendatangkan risiko cedera diri dan/atau kerusakan terhadap barang.

Keselamatan orang lain

- ◆ Peralatan ini tidak ditujukan untuk penggunaan oleh orang (termasuk anak-anak) dengan kekurangan kemampuan fisik, sensorik, atau mental, atau kurang pengalaman dan pengetahuan, kecuali apabila mereka diberi pengawasan atau instruksi tentang penggunaan alat ini oleh orang yang bertanggung jawab atas keselamatan mereka.
- ◆ Anak-anak harus diawasi agar mereka tidak bermain-main dengan perkakas ini.

Risiko-risiko lain.

Risiko-risiko lain dapat timbul saat menggunakan perkakas, yang mungkin tidak tercantum dalam peringatan keselamatan yang disertakan. Risiko-risiko ini dapat diakibatkan oleh penyalahgunaan, penggunaan yang terlalu lama, dsb. Sekalipun peraturan keselamatan terkait sudah diterapkan dan peralatan pengaman sudah digunakan, risiko-risiko lain tertentu tidak dapat dihindari. Ini meliputi:

- ◆ Cedera yang diakibatkan karena menyentuh komponen yang berputar/bergerak.
- ◆ Cedera yang terjadi saat mengganti komponen, pemotong, atau aksesoris.
- ◆ Cedera yang diakibatkan karena penggunaan perkakas untuk waktu lama. Jika menggunakan perkakas apa pun untuk waktu yang lama, pastikan Anda mengistirahatkannya secara berkala.
- ◆ Kerusakan indera pendengaran
- ◆ Bahaya kesehatan yang disebabkan oleh menghirup debu yang ditimbulkan oleh penggunaan perkakas (contoh: mengebor kayu, khususnya kayu oak, beech, dan MDF).

Label pada perkakas

Simbol-simbol berikut ini tertulis pada perkakas:



Peringatan! Untuk mengurangi risiko cedera, pengguna harus membaca buku petunjuk.

Petunjuk keselamatan tambahan untuk baterai dan pengisi daya

Baterai

- ◆ Jangan pernah membuka baterai untuk alasan apa pun.
- ◆ Jangan paparkan baterai pada air.
- ◆ Jangan simpan di lokasi dengan suhu di atas 40 °C.
- ◆ Lakukan pengisian daya hanya pada suhu lingkungan antara 10 °C dan 40 °C.
- ◆ Isi ulang baterai menggunakan pengisi daya yang disediakan bersama perkakas.
- ◆ Saat membuang baterai, ikuti petunjuk yang diberikan dalam bagian "Melindungi Lingkungan".



Jangan pernah mengisi ulang daya baterai rusak.

Pengisi daya

- ◆ Gunakan pengisi daya Stanley Anda hanya untuk mengisi ulang daya baterai dalam perkakas yang digunakan untuknya. Baterai lain dapat pecah, menyebabkan cedera diri dan kerusakan.
- ◆ Jangan pernah mengisi ulang daya baterai yang tidak dapat diisi ulang.
- ◆ Segera ganti kabel yang cacat.
- ◆ Jangan paparkan pengisi daya pada air.
- ◆ Jangan membuka pengisi daya.
- ◆ Jangan mengutak-atik pengisi daya.



Pengisi daya ini ditujukan hanya untuk penggunaan dalam ruangan.



Baca buku petunjuk sebelum penggunaan.

Keselamatan Kerja Kelistrikan



Pengisi daya ini berisolasi ganda; oleh sebab itu tidak perlu kabel arde (ground). Selalu periksa apakah voltase induk sesuai dengan tegangan yang tercantum pada papan tarif (rating plate). Jangan pernah menggantikan unit pengisi daya dengan stop kontak induk biasa.

- ◆ Jika kabel suplai rusak, harus diganti oleh pihak pabrik atau Pusat Layanan Stanley resmi untuk menghindari bahaya.

Fitur

Perkakas ini memiliki beberapa atau semua fitur berikut ini.

1. Saklar kecepatan variabel
2. Penggeser maju/mundur
3. Gagang gerak
4. Bantalan penyetelan kopel
5. Baterai
6. Klip ban
7. Lampu kerja LED
8. Pemilih kecepatan
9. Penahan mata bor magnetis

Gambar A

10. Pengisi daya
11. Indikator pengisian daya

Perakitan

Peringatan! Sebelum merakit, lepaskan baterai dari perkakas.

Memasang dan melepas baterai (gambar C)

- ◆ Untuk memasang baterai (5), sejajarkan dengan wadah pada perkakas. Sorongkan baterai masuk ke dalam wadahnya dan dorong sampai baterai terpasang dengan pas.

- ◆ Untuk melepas baterai, tekan tombol lepas (12) sambil menarik baterai keluar dari wadah.

Memasang dan melepas mata bor atau mata obeng (gambar D)

Perkakas ini dipasang dengan gagang gerak tanpa kunci untuk memudahkan pergantian mata bor.

- ◆ Kunci perkakas dengan menyatel penggeser maju/mundur (2) ke posisi tengah.
- ◆ Pegang gagang gerak (3) erat-erat dan putar ke arah berlawanan jarum jam, seperti terlihat dari ujung gagang.
- ◆ Masukkan tangkai mata bor (13) ke dalam gagang gerak.
- ◆ Kencangkan gagang gerak (3) dengan kuat dan putar searah jarum jam, seperti terlihat dari ujung gagang.

Peringatan! Jangan pernah mengencangkan mata bor (atau aksesoris apa pun) dengan cara memegang erat bagian depan gagang gerak dan menyalakan perkakas. Mengganti aksesoris dengan cara seperti ini dapat mengakibatkan kerusakan pada gagang gerak dan cedera diri.

Penggunaan

Peringatan! Biarkan perkakas bekerja sesuai kecepatannya. Jangan dibebani berlebihan.

Mengisi ulang baterai (gambar A)

Baterai perlu diisi ulang sebelum penggunaan pertama dan apabila gagal menghasilkan daya yang memadai untuk mengerjakan pekerjaan yang sebelumnya mudah dilakukan. Baterai akan menghangat pada saat diisi ulang; ini wajar dan tidak menandakan adanya masalah.

Peringatan! Jangan mengisi ulang baterai pada suhu lingkungan di bawah 10 °C atau di atas 40 °C. Suhu pengisian ulang daya yang dianjurkan: kurang lebih 24 °C.

Catatan: Pengisi daya tidak akan mengisi ulang baterai jika suhu sel di bawah kurang lebih 10 °C atau di atas 40 °C. Baterai harus dibiarkan dalam pengisi daya, dan pengisi daya akan mulai mengisi ulang daya secara otomatis bilamana suhu sel menghangat atau mendingin.

- ◆ Untuk mengisi ulang baterai (5), masukkan ke dalam pengisi daya (10). Baterai hanya dapat masuk ke dalam pengisi daya pada satu sisi. Jangan dipaksa. Pastikan bahwa baterai sudah terpasang sepenuhnya pada pengisi daya.
- ◆ Pasang pengisi daya pada stop kontak dan nyalakan arus listrik.

Indikator pengisian daya (11) akan terus menerus berkedip hijau (perlahan).

Pengisian daya selesai bilamana indikator pengisian daya (11) terus menerus menyala hijau. Pengisi daya dan baterai dapat dibiarkan terhubung tanpa batas waktu dengan lampu LED. LED akan berubah ke kondisi berkedip hijau (mengisi daya) setiap kali pengisi daya melewati batas isi ulang baterai. Indikator pengisian daya (11) akan menyala selama baterai terhubung dengan pengisi daya yang terpasang pada stop kontak.

- ◆ Isi ulang baterai kosong sebelum 1 minggu. Masa pakai baterai akan menurun drastis jika disimpan dalam kondisi kosong.

Meninggalkan baterai dalam pengisi daya

Pengisi daya dan kemasan baterai dapat dibiarkan terhubung dengan lampu LED menyala tanpa batas waktu. Pengisi daya akan menjaga kemasan baterai tetap dalam kondisi baik dan terisi penuh.

Diagnosa pengisi daya

Jika pengisi daya mendeteksi baterai yang lemah atau rusak, indikator pengisian daya (11) akan berkedip-kedip cepat dengan sinar merah. Ikuti petunjuk di bawah ini:

- ◆ Masukkan ulang baterai (5).
- ◆ Jika indikator pengisian daya tetap berkedip merah dengan proses pengisian daya berjalan dengan benar.
- ◆ Jika baterai pengganti dapat diisi ulang dengan benar, berarti baterai yang pertama itu rusak dan harus dikembalikan ke pusat layanan untuk didaur ulang.
- ◆ Jika baterai pengganti menunjukkan indikasi yang sama seperti baterai pertama, bawa pengisi daya untuk diuji di pusat layanan resmi.

Catatan: Pengujian dapat makan waktu hingga 60 menit untuk memastikan bahwa baterai itu rusak. Jika baterai terlalu panas atau terlalu dingin, LED akan berkedip merah bergantian, cepat dan lambat, satu kedipan pada tiap kecepatan, dan diulang kembali.

Memilih arah rotasi (gambar E)

Untuk mengebor dan mengencangkan sekrup, gunakan rotasi maju (berlawanan arah jarum jam). Untuk melonggarkan sekrup atau melepaskan mata bor yang macet, gunakan rotasi mundur (berlawanan arah jarum jam).

- ◆ Untuk memilih rotasi maju, dorong penggeser maju/mundur (2) ke kiri,
- ◆ Untuk memilih rotasi mundur, dorong penggeser maju/mundur (2) ke kanan,
- ◆ Untuk mengunci perkakas, setel penggeser maju/mundur ke posisi tengah.

Memilih kopel

Perkakas ini dipasang dengan bantalan untuk menyatel kopel untuk berbagai aplikasi pengobengan dan pengeboran. Sekrup besar dan material benda keras membutuhkan penyetalan kopel yang lebih tinggi dibandingkan sekrup kecil dan material benda lunak. Untuk definisi simbol, lihat daftar berikut ini.

- ◆ Untuk mengebor kayu, logam, dan plastik, setel bantalan penyetalan kopel (4) kesimbol **1**.
- ◆ Untuk mengobeng, setel bantalan ke penyetalan yang diinginkan. Jika Anda belum mengetahui setelan yang tepat, ikuti langkah-langkah berikut:

- Setel bantalan penyetalan kopel (4) ke setelan kopel terendah,

- Kencangkan sekrup pertama.

- Jika kopling berputar ke satu arah saja sebelum hasil yang diinginkan tercapai, tingkatkan penyetalan bantalan dan teruskan mengencangkan sekrup. Ulangi sampai Anda mendapatkan setelan yang tepat. Gunakan setelan ini untuk sekrup-sekrup selanjutnya.

Pemilih kecepatan

- ◆ Untuk mengebor baja dan aplikasi pengobengan, geser pemilih kecepatan (8) ke arah belakang perkakas (gigi satu).
- ◆ Untuk mengebor material lain di samping baja, geser pemilih kecepatan (8) ke arah depan perkakas (gigi dua).

Mengebor/mengobeng

- ◆ Pilih rotasi maju atau mundur dengan menggunakan penggeser maju/mundur (2).
- ◆ Untuk menyalakan perkakas, tekan tombol (1). Kecepatan perkakas tergantung pada sejauh mana Anda menekan tombol.
- ◆ Untuk mematikan perkakas, lepas tombol.

Lampu kerja LED

Lampu kerja LED (7) akan hidup secara otomatis bila pemicu ditekan. Lampu kerja LED akan menyala apabila pemicu ditekan sebagian, sebelum alat mulai bekerja.

Petunjuk untuk penggunaan optimal

Mengebor

- ◆ Selalu gunakan tekanan ringan segaris dengan mata bor.
- ◆ Sesaat sebelum ujung mata bor menembus sisi lain benda yang dikerjakan, kurangi tekanan pada perkakas.
- ◆ Gunakan sepotong kayu untuk mengalasi benda yang dapat menyerpih.
- ◆ Gunakan mata bor yang berujung lebar saat mengebor lubang berdiameter besar pada kayu.
- ◆ Gunakan mata bor HSS saat mengebor logam.
- ◆ Gunakan mata bor batu saat mengebor batuan lunak.
- ◆ Gunakan pelumas saat mengebor logam di luar besi cor dan kuningan.
- ◆ Buatlah lekukan menggunakan pelubang tengah pada bagian tengah lubang yang akan dibor untuk mempertepat akurasi.

Mengobeng

- ◆ Selalu gunakan tipe dan ukuran mata obeng yang benar.
- ◆ Jika sekrup sulit dikencangkan, coba olesi dengan sedikit cairan pencuci atau sabun cair untuk melumasinya.
- ◆ Selalu pegang perkakas dan mata obeng lurus dengan sekrup.

Perawatan

Perkakas listrik Stanley telah dirancang untuk penggunaan jangka panjang dengan pemeliharaan minimal. Pengoperasian yang memuaskan secara terus-menerus bergantung pada cara pemeliharaan yang layak dan pembersihan perkakas secara teratur.

Pengisi daya tidak membutuhkan perawatan lain di luar pembersihan berkala.

Peringatan! Sebelum melakukan perawatan apa pun pada perkakas, lepaskan dulu baterai dari perkakas. Cabut pengisi daya sebelum membersihkannya.

- ◆ Bersihkan celah ventilasi pada perkakas dan pengisi daya secara teratur dengan menggunakan sikat lembut atau lap kering.
- ◆ Bersihkan secara teratur kerangka motor dengan menggunakan kain bersih yang lembap. Jangan gunakan bahan pembersih abrasif atau pembersih berbahan dasar larutan apa pun.
- ◆ Secara berkala, buka dan tepuk-tepuk gagang gerak untuk membersihkan debu dari dalam perkakas.

Melindungi lingkungan



Pengumpulan Terpisah. Produk ini tidak boleh dibuang bersama limbah rumah tangga biasa.

Seandainya suatu hari Anda melihat bahwa produk Stanley Anda butuh diganti, atau tidak lagi berguna bagi Anda, jangan buang perkakas ini bersama limbah rumah tangga biasa. Pisahkan pengumpulan produk ini.



Pisahkan pengumpulan produk dan kemasan bekas agar bahan-bahannya dapat didaur ulang dan digunakan lagi. Penggunaan kembali bahan yang didaur ulang membantu mencegah pencemaran lingkungan dan mengurangi kebutuhan bahan baku.

Undang-undang setempat mungkin memfasilitasi pengumpulan produk-produk elektrik terpisah dari sampah rumah tangga, di tempat pembuangan sampah kota atau oleh pedagang ritel pada saat Anda membeli produk baru.

Baterai



Kosongkan baterai sama sekali, lalu lepas dari perkakas.

- ◆ Baterai-baterai NiCd, NiMH, dan Li-Ion dapat didaur ulang. Bawalah ke agen reparasi resmi atau pangkalan daur ulang setempat.

STDC001L**ส่วน 10.8V LI-ION****ข้อมูลทางเทคนิค**

STDC001L		
แรงดันไฟฟ้า	V _{DC}	10.8
ความเร็วขณะไม่มีภาระโหลด	/min	0-315, 0-1200
แรงบิดสูงสุด (อัตรา PTI)	Nm	27
ขนาดตัวจับดอกสว่าน	mm	10
ความสามารถในการเจาะสูงสุด เหล็ก/ไม้	mm	10/25
น้ำหนัก	kg	1.1
เครื่องชาร์จ		
แรงดันไฟเข้า	V _{AC}	220-240
แรงดันไฟออก	V _{DC}	10.8
กระแสไฟออก (DC)	A	2
ระยะเวลาชาร์จโดยประมาณ	min	30
แบตเตอรี่		
แรงดันไฟฟ้า	V _{DC}	10.8
การรับน้ำหนัก	Ah	1.5
ชนิด		Li-Ion

วัตถุประสงค์ในการใช้งาน

ส่วนไขควงไฟฟ้า Stanley เครื่องนี้ออกแบบมาเพื่อการขันสกรูและการเจาะไม้ โลหะ และพลาสติก

คำแนะนำเพื่อความปลอดภัย**คำเตือนด้านความปลอดภัยสำหรับการใช้เครื่องมือไฟฟ้าทั่วไป**

คำเตือน! โปรดอ่านคำเตือนและคำแนะนำด้านความปลอดภัยทั้งหมด การไม่ปฏิบัติตามคำเตือนและคำแนะนำที่แสดงไว้ต่อไปนี้อาจทำให้เกิดไฟดูด เกิดเพลิงไหม้และ/หรือบาดเจ็บสาหัสได้

โปรดเก็บรักษาคำเตือนและคำแนะนำไว้เพื่อการอ้างอิงในอนาคต คำว่า “เครื่องมือไฟฟ้า” ในคำเตือนทั้งหมดที่แสดงไว้ข้างล่าง หมายถึง เครื่องมือไฟฟ้าที่ทำงานผ่านแหล่งจ่ายไฟหลัก (แบบมีสาย) หรือเครื่องมือไฟฟ้า (แบบไร้สาย) ที่ทำงานด้วยแบตเตอรี่

1. ความปลอดภัยในบริเวณที่ทำงาน

- ก. รักษาความสะอาดและจัดให้มีแสงสว่างเพียงพอในบริเวณที่ทำงาน บริเวณที่คับแคบหรือมืดทำให้เกิดอุบัติเหตุได้
- ข. ห้ามใช้เครื่องมือไฟฟ้าในบริเวณที่อาจเกิดการระเบิด เช่น ในสถานที่ที่มีของเหลว แก๊ส หรือฝุ่นผงที่มีคุณสมบัติไวไฟ เครื่องมือไฟฟ้าจะทำให้เกิดประกายไฟที่อาจทำให้เกิดลวของไฟหรือเปลวไฟขึ้นได้
- ค. ระวังไม่ให้เด็กเล็กและคนเดินผ่านไปมาเข้าใกล้ในขณะที่ใช้งานเครื่องมือไฟฟ้า สิ่งรบกวนอาจทำให้คุณเสียสมาธิได้

2. ความปลอดภัยทางไฟฟ้า

- ก. ปลั๊กไฟของเครื่องต้องเป็นชนิดเดียวกับเต้ารับ ห้ามดัดแปลงปลั๊กไม่ว่าด้วยวิธีใด ห้ามใช้ปลั๊กอะแดปเตอร์ใดๆ กับเครื่องมือไฟฟ้าที่ต่อสายดิน (ลงกราวด์) ปลั๊กที่ไม่มีการดัดแปลง และเต้ารับชนิดเดียวกันจะช่วยลดความเสี่ยงจากการถูกไฟดูด
 - ข. หลีกเลี่ยงการสัมผัสพื้นผิวที่ต่อสายดินหรือลงกราวด์ เช่น ท่อ เครื่องทำความร้อน เตาหุงต้ม และตู้เย็น ความเสี่ยงที่จะถูกไฟดูดจะเพิ่มมากขึ้น หากร่างกายของคุณเป็นสื่อเชื่อมต่อกับดิน
 - ค. อย่าให้เครื่องมือไฟฟ้าถูกฝนหรือเปียกน้ำ น้ำที่เข้าเครื่องมือไฟฟ้าจะทำให้เกิดความเสี่ยงในการถูกไฟดูดเพิ่มขึ้น
 - ง. ห้ามใช้สายไฟผิดวัตถุประสงค์ ห้ามใช้สายไฟเพื่อหิ้ว ดึง หรือถอดปลั๊กเครื่องมือไฟฟ้า เก็บสายไฟให้พ้นจากความร้อน น้ำมัน ของมีคม หรือชิ้นส่วนที่กำลังเคลื่อนที่ สายไฟที่ชำรุดหรือพันกันเป็นการเพิ่มความเสี่ยงจากการถูกไฟดูด
 - จ. เมื่อใช้เครื่องมือไฟฟ้านอกอาคาร ให้ใช้สายต่อพ่วงที่เหมาะสมสำหรับการใช้งานนอกอาคาร การใช้สายไฟที่เหมาะสมสำหรับการใช้งานนอกอาคารจะลดความเสี่ยงในการถูกไฟดูด
 - ฉ. หากไม่สามารถหลีกเลี่ยงการใช้เครื่องมือไฟฟ้าในบริเวณที่ชื้นแฉะได้ ให้ใช้อุปกรณ์ป้องกันไฟฟ้าสะสม (RCD) การใช้ RCD จะเป็นการลดความเสี่ยงจากการถูกไฟดูด
- 3. ความปลอดภัยส่วนบุคคล**
- ก. ดินตัวและมีสมาธิกับสิ่งที่คุณกำลังทำ รวมทั้งใช้สามัญสำนึกในขณะที่กำลังใช้งานเครื่องมือไฟฟ้า ห้ามใช้เครื่องมือไฟฟ้าในขณะที่คุณกำลังเหนื่อยหรือได้รับอิทธิพลจากยา แอลกอฮอล์ หรือการรักษายาบางอย่าง การขาดความระมัดระวังในการใช้เครื่องมือไฟฟ้า แม้ชั่วขณะหนึ่งอาจทำให้บาดเจ็บสาหัสได้
 - ข. ใช้อุปกรณ์ป้องกันส่วนบุคคล สวมอุปกรณ์ป้องกันดวงตาเสมอ อุปกรณ์ป้องกัน เช่น หน้ากากกันฝุ่น รองเท้ากันภัยกันลื่น หมวกกันภัย หรืออุปกรณ์ป้องกันเสียงดังสำหรับสภาพที่เหมาะสมจะช่วยลดอาการบาดเจ็บของคุณลงได้
 - ค. ปิดกั้นเครื่องเปิดทำงานโดยไม่ตั้งใจ สวิตช์ต้องอยู่ในตำแหน่งปิดก่อนเสียบปลั๊กของเครื่องเข้ากับแหล่งจ่ายไฟ และ/หรือแบตเตอรี่ หรือก่อนจะยกหรือหิ้วเครื่องมือ การยกเครื่องมือไฟฟ้าในขณะที่นิ้วอยู่ที่สวิตช์หรือการจ่ายไฟไปยังเครื่องมือไฟฟ้าที่สวิตช์เปิดอยู่ อาจทำให้เกิดอุบัติเหตุได้
 - ง. ถอดกุญแจปรับแต่งหรือประแจออกก่อนเปิดสวิตช์เครื่องมือไฟฟ้า ประแจหรือกุญแจที่เสียบค้างอยู่ในชิ้นส่วนที่หมุนได้ของเครื่องมือไฟฟ้าอาจทำให้ได้รับบาดเจ็บได้

- จ. ห้ามยื่นแขนงเท้าขณะใช้เครื่อง ขณะใช้เครื่องมือ ควรยืนให้มั่นคงและมีความสมดุลตลอดเวลา เพื่อช่วยในการควบคุมเครื่องมือไฟฟ้าได้ดียิ่งขึ้นในสถานการณ์ที่ไม่คาดคิด
- ฉ. แต่งกายที่เหมาะสม ห้ามสวมเสื้อผ้าหลวมหรือใส่เครื่องประดับ รวบผม ชายเสื้อ และถุงมือให้ห่างจากชิ้นส่วนที่กำลังหมุน เสื้อผ้าที่หลวมหรือยาวรุ่มร่าม เครื่องประดับ หรือผมที่ยาว อาจเข้าไปพันกับชิ้นส่วนที่กำลังหมุน
- ช. หากมืออุปกรณ์สำหรับกดและเก็บฝุ่น ต้องตรวจสอบให้แน่ใจว่าได้เชื่อมต่อและใช้งานอุปกรณ์นั้นอย่างเหมาะสม การใช้อุปกรณ์เก็บฝุ่นสามารถลดอันตรายที่เกิดจากฝุ่นได้
4. การใช้และการดูแลรักษาเครื่องมือไฟฟ้า
- ก. ห้ามฝนใช้เครื่องมือไฟฟ้า เลือกใช้เครื่องมือไฟฟ้าที่ถูกต้องตรงกับการใช้งานของคุณ เครื่องมือไฟฟ้าที่ถูกต้องจะทำงานได้ดีกว่าและปลอดภัยกว่าตามขีดความสามารถของเครื่องมือที่ได้รับการออกแบบมา
- ข. ห้ามใช้เครื่องมือไฟฟ้าถ้าสวิตช์เปิดปิดเครื่องไม่ทำงาน เครื่องมือไฟฟ้าที่ไม่สามารถควบคุมผ่านสวิตช์ได้ ถือว่ามีอันตรายและต้องส่งซ่อม
- ค. ถอดปลั๊กของเครื่องมือไฟฟ้าออกจากแหล่งจ่ายไฟ และ/หรือ แบตเตอรี่ก่อนทำการปรับแต่ง เปลี่ยนอุปกรณ์เสริม หรือจัดเก็บ มาตรการเพื่อความปลอดภัยซึ่งการป้องกันนี้จะช่วยลดความเสี่ยงในการปล่อยเปิดเครื่องให้ทำงานโดยไม่ได้ตั้งใจ
- ง. เก็บเครื่องมือไฟฟ้าที่ไม่ได้ใช้งานไว้ให้พ้นมือเด็ก และไม่อนุญาตให้บุคคลที่ไม่คุ้นเคยกับเครื่องมือไฟฟ้าหรือคำแนะนำเหล่านี้ใช้เครื่องมือ เครื่องมือไฟฟ้าจะเป็นอันตรายหากถูกใช้โดยผู้ที่ไม่มีความชำนาญ
- จ. บำรุงรักษาเครื่องมือไฟฟ้า ตรวจหาส่วนที่บิดเบี้ยวและการติดขัดในส่วนของเคลื่อนที่ได้ ชิ้นส่วนที่แตกหักและสภาพอื่นๆ ที่อาจส่งผลกระทบต่อการทำงานของเครื่องมือไฟฟ้า หากชำรุดเสียหาย ให้นำเครื่องมือไปส่งซ่อมก่อนนำมาใช้ อุบัติเหตุจำนวนมากเกิดจากการดูแลรักษาเครื่องมือไฟฟ้าไม่เพียงพอ
- ฉ. เครื่องมือตัดต้องคมและสะอาดอยู่เสมอ เครื่องมือตัดที่ได้รับการดูแลรักษาอย่างถูกต้อง และมีขอบตัดคม จะมีปัญหาติดขัดน้อย และควบคุมได้ง่ายกว่า
- ช. ใช้เครื่องมือไฟฟ้า อุปกรณ์เสริมและชุดอุปกรณ์ต่างๆ ให้สอดคล้องกับคำแนะนำเหล่านี้ โดยพิจารณาถึงสภาพการทำงานและงานที่ทำเป็นสำคัญ การใช้เครื่องมือไฟฟ้าทำงานอื่นนอกเหนือจากที่กำหนดไว้อาจทำให้เกิดอันตรายได้
5. การใช้และการดูแลรักษาแบตเตอรี่
- ก) ชาร์จแบตเตอรี่ด้วยเครื่องชาร์จที่ผู้ผลิตแนะนำเท่านั้น

- เครื่องมือชาร์จที่เหมาะสมกับก้อนแบตเตอรี่แบบหนึ่งถ้านำมาใช้ร่วมกับก้อนแบตเตอรี่อีกแบบหนึ่งอาจทำให้เกิดไฟไหม้ได้
- ข. ใช้เครื่องมือไฟฟ้าเฉพาะกับก้อนแบตเตอรี่ที่ออกแบบมาเป็นพิเศษเท่านั้น การใช้ก้อนแบตเตอรี่แบบอื่นอาจทำให้เกิดการบาดเจ็บหรือเกิดไฟไหม้ได้
- ค. เมื่อไม่ได้ใช้ก้อนแบตเตอรี่ ให้เก็บออกห่างจากวัตถุอื่นที่เป็นโลหะ เช่น คลิปหนีบกระดาษ เหรียญ กุญแจ เข็ม สกรูหรือวัตถุขนาดเล็กอื่นๆ ที่ห่างจากโลหะที่อาจทำให้เกิดการเชื่อมต่องจากขั้วหนึ่งไปอีกขั้วหนึ่ง การลัดวงจรบริเวณขั้วแบตเตอรี่อาจทำให้เกิดไฟไหม้ได้
- ง. เมื่ออยู่ภายใต้สภาวะที่ไม่เหมาะสมอาจมีของเหลวไหลออกมาจากแบตเตอรี่ ให้หลีกเลี่ยงการสัมผัสกับของเหลวนี้ หากสัมผัสกับของเหลวเข้าให้ล้างด้วยน้ำปริมาณมาก หากของเหลวกระเด็นเข้าตา ควรรีบไปพบแพทย์ ของเหลวที่ออกมาจากแบตเตอรี่อาจทำให้เกิดอาการระคายเคืองหรือรอยไหม้ได้
6. การบริการ
- ก. ให้ช่างซ่อมที่มีความเชี่ยวชาญเป็นผู้ซ่อมเครื่องมือ และใช้อะไหล่แท้เท่านั้น ซึ่งจะช่วยรับประกันได้ว่าเครื่องมือไฟฟ้ายังมีความปลอดภัยอยู่

คำเตือนด้านความปลอดภัยเพิ่มเติมสำหรับการใช้เครื่องมือไฟฟ้า



คำเตือน! คำเตือนด้านความปลอดภัยเพิ่มเติมสำหรับส่วนและส่วนเจาะกระแทก

- ♦ สวมใส่อุปกรณ์ป้องกันเสียงดังเมื่อใช้ส่วนเจาะกระแทก การเผชิญกับเสียงดังมาก อาจทำให้สูญเสียความสามารถในการได้ยิน
- ♦ ใช้มือจับเสริมที่ให้มาพร้อมกับเครื่อง การสูญเสียการควบคุมเครื่องอาจทำให้ได้รับบาดเจ็บได้
- ♦ จับเครื่องมือไฟฟ้าที่พื้นผิวส่วนที่จับซึ่งมีฉนวนป้องกันเท่านั้น เมื่อใช้งานเครื่องและอุปกรณ์เสริมสำหรับงานตัดอาจสัมผัสกับสายไฟที่ซ่อนอยู่ อุปกรณ์เสริมที่ใช้กับงานตัดที่สัมผัสกับสายไฟที่ "มีไฟฟ้า" อาจทำให้พื้นผิวเปิดที่ทำจากโลหะของเครื่องมือไฟฟ้า "มีไฟฟ้า" ด้วย และอาจทำให้ผู้ใช้เครื่องมือถูกไฟดูดได้
- ♦ จับเครื่องมือไฟฟ้าที่พื้นผิวส่วนที่จับซึ่งมีฉนวนป้องกันเท่านั้น เมื่อใช้งานเครื่องกับงานที่ด้วยอีกอาจสัมผัสกับสายไฟที่ซ่อนอยู่ ตัวยึดที่สัมผัสกับสายไฟที่ "มีไฟฟ้า" อาจทำให้พื้นผิวเปิดที่ทำจากโลหะของเครื่องมือไฟฟ้า "มีไฟฟ้า" ด้วย และอาจทำให้ผู้ใช้เครื่องมือถูกไฟดูดได้
- ♦ ใช้ตัวจับชิ้นงานหรือจับยึดด้วยวิธีอื่นๆ เพื่อยึดและรองชิ้นงานบนแท่นที่มั่นคง การใช้มือจับหรือใช้ลำตัวกดชิ้นงานจะไม่มั่นคงและอาจทำให้สูญเสียการควบคุมได้

- ◆ ก่อนเจาะผนัง พื้น หรือเพดาน ให้ตรวจสอบตำแหน่ง สายไฟและท่อน้ำ
- ◆ หลีกเลี่ยงการสัมผัสปลายดอกสว่านหลังจากการเจาะเสร็จทันทีเนื่องจากดอกสว่านอาจมีความร้อน
- ◆ เครื่องมือนี้ไม่ได้มีไว้เพื่อการใช้งานโดยบุคคล (ซึ่งรวมถึงผู้เยาว์) ที่มีความบกพร่องทางร่างกาย ทางการเรียนรู้ ความรู้สึก หรือทางจิตประสาท หรือขาดประสบการณ์และความรู้ เว้นเสียแต่จะได้รับการควบคุมดูแลหรือคำแนะนำ การใช้เครื่องมือโดยผู้ที่รับผิดชอบต่อความปลอดภัยของบุคคลเหล่านั้น
- ◆ เด็กควรได้รับการควบคุมดูแลเพื่อให้แน่ใจว่าเด็กจะไม่เล่นเครื่องมือ
- ◆ วัตถุประสงค์ในการใช้งานได้อธิบายไว้ในคู่มือแนะนำการใช้งานฉบับนี้ การใช้งานอุปกรณ์เสริมหรืออุปกรณ์ต่อพ่วง หรือการใช้งานอื่นใดกับเครื่องมือนี้ นอกเหนือจากที่ได้แนะนำไว้ในคู่มือการใช้งานนี้ อาจทำให้เสี่ยงต่อการบาดเจ็บ และ/หรือความเสียหายต่อทรัพย์สินได้

ความปลอดภัยของบุคคลอื่น

- ◆ เครื่องมือนี้ไม่ได้มีไว้เพื่อการใช้งานโดยบุคคล (ซึ่งรวมถึงผู้เยาว์) ที่มีความสามารถทางกายภาพ ความสามารถทางการรับรู้ หรือความสามารถทางสมองบกพร่อง หรือบุคคลซึ่งขาดประสบการณ์และความรู้ เว้นเสียแต่จะได้รับการควบคุมดูแลหรือคำแนะนำการใช้งานเครื่องมือจากผู้รับผิดชอบความปลอดภัยของบุคคลเหล่านั้น
- ◆ เด็กต้องได้รับการดูแลเพื่อให้แน่ใจว่าเด็กจะไม่เล่นเครื่องมือ

ความเสี่ยงที่เหลือนอยู่

ความเสี่ยงที่เหลือนอยู่อาจเกิดขึ้นเมื่อใช้เครื่องมือนี้ และอาจไม่ได้มีอยู่ในคำเตือนเพื่อความปลอดภัยที่กล่าวไว้แล้ว ความเสี่ยงเหล่านี้อาจเกิดขึ้นจากการใช้อย่างไม่ถูกต้อง การใช้เป็นเวลานาน เป็นต้น

แม้ว่าจะปฏิบัติตามข้อกำหนดด้านความปลอดภัย ที่เกี่ยวข้อง และข้ออุปกรณ์นี้ภัย แต่ความเสี่ยงเหล่านั้นได้แก่

- ◆ การบาดเจ็บจากการสัมผัสชิ้นส่วนที่หมุน/เคลื่อนที่
- ◆ การบาดเจ็บที่เกิดขึ้นขณะเปลี่ยนชิ้นส่วน ไบมีด หรืออุปกรณ์เสริม
- ◆ การบาดเจ็บที่เกิดจากการใช้เครื่องมือต่อเนื่องเป็นเวลานาน เมื่อใช้เครื่องมือเป็นระยะเวลาสั้น ต้องแน่ใจว่าคุณได้หยุดพักเป็นระยะ
- ◆ ความบกพร่องในการได้ยินเสียง
- ◆ อันตรายต่อสุขภาพที่เกิดจากการสูดดมฝุ่นจากการใช้เครื่องมือ (ตัวอย่าง:- การทำงานกับไม้ โดยเฉพา ไม้โอ๊ค ไม้บีช และ MDF)

ป้ายสัญลักษณ์บนอุปกรณ์

สัญลักษณ์ต่อไปนี้จะปรากฏบนเครื่องมือ:



คำเตือน! เพื่อลดความเสี่ยงต่อการบาดเจ็บ ผู้ใช้ต้องอ่านคู่มือการใช้งานเล่มนี้

คำแนะนำเพื่อความปลอดภัยเพิ่มเติมสำหรับแบตเตอรี่และเครื่องชาร์จ

แบตเตอรี่

- ◆ ห้ามพยายามแกะตัวแบตเตอรี่ในทุกกรณี
- ◆ อย่าให้แบตเตอรี่สัมผัสน้ำ
- ◆ ห้ามเก็บรักษาแบตเตอรี่ในสถานที่อุณหภูมิอาจสูงเกิน 40 °C
- ◆ ชาร์จแบตเตอรี่ที่อุณหภูมิห้องระหว่าง 10 °C ถึง 40 °C เท่านั้น
- ◆ ชาร์จแบตเตอรี่ด้วยเครื่องชาร์จที่หามาพร้อมอุปกรณ์เท่านั้น
- ◆ เมื่อจะทิ้งแบตเตอรี่ ให้ทำตามคำแนะนำในส่วน "การปกป้องสิ่งแวดล้อม"



อย่าพยายามชาร์จแบตเตอรี่ที่ชำรุดเสียหาย

เครื่องชาร์จ

- ◆ ใช้เครื่องชาร์จ Stanley เพื่อชาร์จแบตเตอรี่ภายในอุปกรณ์ที่หามาพร้อมกันเท่านั้น การชาร์จแบตเตอรี่ชนิดอื่นๆ อาจทำให้แบตเตอรี่ระเบิดและเกิดการบาดเจ็บและความเสียหายได้
- ◆ ห้ามชาร์จแบตเตอรี่ชนิดชาร์จซ้ำไม่ได้
- ◆ เปลี่ยนสายไฟที่ชำรุดทันที
- ◆ อย่าให้เครื่องชาร์จสัมผัสน้ำ
- ◆ ห้ามแกะเปิดเครื่องชาร์จ
- ◆ ห้ามใช้สิ่งใดเหย้าเข้าไปในตัวเครื่องชาร์จ



เครื่องชาร์จนี้มีวัตถุประสงค์เพื่อการใช้งานในที่ร่มเท่านั้น



โปรดอ่านคู่มือการใช้งานก่อนใช้เครื่อง

ความปลอดภัยทางไฟฟ้า



เครื่องมือนี้มีฉนวนสองชั้น ดังนั้นจึงไม่จำเป็นต้องต่อสายดิน ต้องตรวจสอบกำลังไฟเพื่อให้ตรงกับแรงดันไฟฟ้าบนแผ่นแสดงพิกัดเสมอ ห้ามเปลี่ยนสายปลั๊กไฟของเครื่องชาร์จเป็นสายปลั๊กไฟธรรมดาโดยเด็ดขาด

- ♦ ถ้าสายไฟของตัวเครื่องชำรุดเสียหาย ต้องเปลี่ยนโดยผู้ผลิตหรือศูนย์บริการของ Stanley ที่ได้รับอนุญาต เพื่อหลีกเลี่ยงอันตรายที่อาจเกิดขึ้นได้

ส่วนประกอบสำคัญ

เครื่องมือนี้มีส่วนประกอบสำคัญบางส่วนหรือทั้งหมดดังต่อไปนี้

1. สวิตช์ปรับระดับความเร็ว
2. ปุ่มเลื่อนเดินหน้า/ถอยหลัง
3. ตัวจับดอกสว่าน
4. ปลอกปรับเบรค
5. แบตเตอรี่
6. ตัวยึดเข็มขัด
7. ไฟทำงาน LED
8. ตัวเลือกความเร็ว
9. ปลอกแม่เหล็กยึดดอกสว่าน

รูป A

10. เครื่องชาร์จ
11. ไฟแสดงสถานะการชาร์จ

การประกอบ

คำเตือน! ต้องถอดแบตเตอรี่ออกจากเครื่องมือก่อนประกอบ

การติดตั้งและการถอดแบตเตอรี่ (รูป C)

- ♦ เมื่อจะประกอบแบตเตอรี่ (5) ให้จัดตำแหน่งแบตเตอรี่ให้ตรงกับเบ้ารับของเครื่องมือ จากนั้นเลื่อนแบตเตอรี่เข้าไปในเบ้ารับจนกระทั่งแบตเตอรี่ล็อกเข้าที่
- ♦ เมื่อจะถอดแบตเตอรี่ ให้กดปุ่มปลดล็อก (12) พร้อมกับดึงแบตเตอรี่ออกจากเบ้า

การประกอบและถอดดอกสว่านหรือดอกไขควง (รูป D)

อุปกรณ์นี้ใช้วิธีประกอบด้วยตัวจับดอกสว่านแบบไม่ใช้จำปา เพื่อให้การเปลี่ยนดอกทำได้ง่าย

- ♦ การล็อกเครื่องมือทำได้โดยการเลื่อนปุ่มเลื่อนเดินหน้า/ถอยหลัง (2) ไปที่ตำแหน่งกึ่งกลาง
- ♦ จับตัวจับดอกสว่าน (3) แล้วหมุนไปตามทิศทางทวนเข็มนาฬิกาเมื่อมองจากปลายของตัวจับดอกสว่าน
- ♦ สอดแกนดอกสว่าน (13) เข้าไปในตัวจับดอกสว่าน
- ♦ ขันตัวจับดอกสว่านให้แน่นโดยหมุนไปตามทิศทางตามเข็มนาฬิกาเมื่อมองจากปลายของตัวจับดอกสว่าน

คำเตือน! ห้ามเปลี่ยนดอกสว่าน (หรืออุปกรณ์เสริมอื่นๆ) ด้วยการจับยึดด้านหน้าของตัวจับดอกสว่านแล้วเปิดเครื่องมือ การเปลี่ยนอุปกรณ์เสริมด้วยวิธีนี้อาจทำให้เกิดความเสียหายกับตัวจับดอกสว่านและเกิดการบาดเจ็บได้

การใช้งาน

คำเตือน! ปล่อยให้เครื่องมือทำงานตามความเร็วของเครื่อง ห้ามใช้งานเกินโหลตที่เหมาะสม

การชาร์จแบตเตอรี่ (รูป A)

แบตเตอรี่ต้องการการชาร์จไฟก่อนการใช้งานครั้งแรกและทุกครั้งเมื่อแบตเตอรี่ไม่สามารถจ่ายพลังงานได้เพียงพอ สำหรับงานที่แค่ทำได้โดยง่าย แบตเตอรี่อาจอุณหภูมิขึ้นระหว่างการชาร์จ ซึ่งถือเป็นเรื่องปกติและไม่ใช่ว่าบ่งชี้ว่าการผิดปกติ

คำเตือน! ห้ามชาร์จแบตเตอรี่ในอุณหภูมิห้องที่ต่ำกว่า 10 °C หรือสูงกว่า 40 °C อุณหภูมิการชาร์จที่แนะนำ: ประมาณ 24 °C หมายเหตุ: เครื่องชาร์จจะไม่ชาร์จแบตเตอรี่หากอุณหภูมิของแบตเตอรี่ต่ำกว่าประมาณ 10 °C หรือสูงกว่า 40 °C ให้ทิ้งแบตเตอรี่ไว้ในเครื่องชาร์จ แล้วเครื่องชาร์จจะเริ่มชาร์จไฟเองโดยอัตโนมัติเมื่ออุณหภูมิของแบตเตอรี่อุ่นขึ้นหรือเย็นลง

- ♦ เมื่อจะชาร์จแบตเตอรี่ (5) ให้ใส่แบตเตอรี่ลงในเครื่องชาร์จ (10) แบตเตอรี่สามารถประกอบเข้ากับเครื่องชาร์จได้เพียงวิธีเดียว ห้ามใช้แรงฝืนกดแบตเตอรี่ รวมทั้งตรวจสอบให้แน่ใจว่าแบตเตอรี่ประกอบเข้ากับเครื่องชาร์จสนิทแล้ว
- ♦ เสียบปลั๊กเครื่องชาร์จและเปิดสวิตช์ที่แหล่งจ่ายไฟหลักไฟแสดงการชาร์จ (11) จะกะพริบเป็นสีเขียวอย่างต่อเนื่อง (ซ้ำๆ)

การชาร์จเสร็จสิ้นเมื่อไฟแสดงการชาร์จ (11) เป็นสีเขียวตลอดเวลา การต่อเครื่องชาร์จกับแบตเตอรี่นั้นสามารถปล่อยให้เชื่อมต่อได้ไม่จำกัดเวลาโดยที่ไฟ LED ติดสว่างไฟ LED จะชาร์จเป็นสถานะไฟสีเขียวกะพริบ (กำลังชาร์จ)

เมื่อการชาร์จเต็มประจุให้แบตเตอรี่เป็นระยะ ไฟแสดงการชาร์จ (11) จะสว่างตลอดเวลาทราบเท่าที่แบตเตอรี่ยังคงเชื่อมต่ออยู่กับเครื่องชาร์จที่เสียบปลั๊กไฟไว้

- ♦ ชาร์จแบตเตอรี่ที่ไม่ประจุภายใน 1 สัปดาห์ อายุการใช้งานแบตเตอรี่จะลดลงอย่างรวดเร็วหากเก็บรักษาไว้ในสภาพไม่มีประจุ

การทิ้งแบตเตอรี่ไว้ในเครื่องชาร์จ

การต่อเครื่องชาร์จกับแบตเตอรี่นั้นสามารถปล่อยให้เชื่อมต่อได้ไม่จำกัดเวลาโดยที่ไฟ LED ติดสว่าง เครื่องชาร์จจะรักษาแบตเตอรี่และชาร์จไฟไว้ให้เต็มอยู่เสมอ

การวินิจฉัยเครื่องชาร์จ

หากเครื่องชาร์จตรวจพบแบตเตอรี่ที่มีกำลังไฟอ่อนหรือชำรุดเสียหาย ไฟแสดงสถานะการชาร์จ (11) จะกะพริบไฟสีแดงถี่ๆ ให้ทำตามขั้นตอนดังนี้:

- ♦ ถอดแบตเตอรี่ (5) ออกและใส่เข้าไปใหม่อีกครั้ง
- ♦ หากไฟแสดงสถานะการชาร์จยังคงกะพริบไฟสีแดงถี่ๆ อยู่ ให้เปลี่ยนแบตเตอรี่ก่อนอื่นเพื่อทดสอบว่ากระบวน การชาร์จยังทำงานปกติดีอยู่หรือไม่
- ♦ หากแบตเตอรี่ที่นำมาเปลี่ยนสามารถชาร์จได้ตามปกติ หมายความว่าแบตเตอรี่ก้อนเดิมนั้นเสื่อมสภาพแล้วและควรส่งคืนศูนย์บริการเพื่อนำไปรีไซเคิล
- ♦ หากแบตเตอรี่ก้อนใหม่แสดงสถานะการชาร์จแบบเดียวกันกับก้อนเดิมให้นำเครื่องชาร์จไปทดสอบที่ศูนย์บริการที่ผ่านการรับรอง

หมายเหตุ: การประเมินการเสื่อมสภาพของแบตเตอรี่อาจต้องใช้เวลาจนถึง 60 นาที หากแบตเตอรี่ร้อนหรือเย็นเกินไป ไฟ LED จะกะพริบไฟสีแดงสลัวและเร็วอย่างละหนึ่งครั้งไปเรื่อยๆ

การเลือกทิศทางลม (รูป E)

สำหรับการเจาะและขันสกรูเข้า ให้ใช้การหมุนไปด้านหน้า (ตามเข็มนาฬิกา) สำหรับขันคลายสกรูหรือถอนดอกสว่านที่ติด ให้ใช้การหมุนย้อนกลับ (ทวนเข็มนาฬิกา)

- ◆ เมื่อต้องการเลือกให้หมุนไปด้านหน้า ให้ดันปุ่มเลื่อนเดินทาง/ถอยหลัง (2) ไปทางด้านซ้าย
- ◆ เมื่อต้องการเลือกให้หมุนย้อนกลับ ให้ดันปุ่มเลื่อนเดินทาง/ถอยหลังไปทางด้านขวา
- ◆ เมื่อต้องการล็อคเครื่องมือ ให้ตั้งปุ่มเลื่อนเดินทาง/ถอยหลังไปที่ตำแหน่งกึ่งกลาง

การเลือกแรงบิด

เครื่องมือนี้มีปลอกสำหรับกำหนดแรงบิดที่ต้องการใช้ในงานขันสกรูและงานเจาะประเภทต่างๆ ติดตั้งอยู่ สกรูขนาดใหญ่และวัสดุชิ้นงานที่เนื้อแข็งจะต้องใช้การตั้งค่าแรงบิดสูงกว่า สกรูขนาดเล็กและวัสดุชิ้นงานที่เนื้ออ่อน ความหมายของสัญลักษณ์ต่างๆ โปรดดูที่ด้านล่าง

- ◆ สำหรับการเจาะไม้ เหล็ก และพลาสติก ให้ปรับปลอกปรับแรงบิด (4) ไปที่สัญลักษณ์ 1
- ◆ ในการขันสกรู ให้ตั้งค่าปลอกตามความต้องการ หากคุณไม่ทราบการตั้งค่าที่เหมาะสม โปรดดำเนินการดังนี้
 - ปรับปลอกปรับแรงบิด (4) ไปที่ค่าแรงบิดต่ำสุด
 - ขันสกรูตัวแรก
 - หากคลัทช์หมุนฟรีก่อนจะได้ผลลัพธ์ที่ต้องการ ให้เพิ่มแรงบิดแล้วขันสกรูต่อ ทำซ้ำจนกว่าจะได้การตั้งค่าที่ถูกต้อง จากนั้น ให้ใช้ค่านี้นับกับสกรูที่เหลือ

ตัวเลือกความเร็ว

- ◆ ในการเจาะเหล็กและงานขันสกรู ให้เลื่อนตัวเลือกความเร็ว (8) ไปทางด้านท้ายของเครื่องมือ (เกียร์ 1)
- ◆ ในการเจาะวัสดุอื่นที่ไม่ใช่เหล็ก ให้เลื่อนตัวเลือกความเร็ว (8) ไปทางด้านหน้าของเครื่องมือ (เกียร์ 2)

การเจาะ/ขันสกรู

- ◆ เลือกทิศทางลมหมุนไปข้างหน้าหรือย้อนกลับโดยใช้ปุ่มเลื่อนเดินทาง/ถอยหลัง (2)
- ◆ เมื่อต้องการเปิดเครื่อง ให้กดสวิตช์ (1) ความเร็วของเครื่องมือจะขึ้นอยู่กับความลึกของสวิตช์ที่คุณกดลงไป
- ◆ เมื่อจะปิดเครื่อง ให้ปล่อยสวิตช์

ไฟ LED แสดงการทำงาน

ไฟ LED แสดงการทำงาน (7) จะทำงานโดยอัตโนมัติเมื่อกดไกบังคับการทำงาน ไฟ LED แสดงการทำงานจะเริ่มติดสว่างเมื่อไกบังคับการทำงานถูกกดลงเล็กน้อย ก่อนที่อุปกรณ์จะเริ่มทำงาน

คำแนะนำเพื่อการใช้งานอย่างเหมาะสม

การเจาะ

- ◆ ออกแรงกดเล็กน้อยเป็นแนวตรงกับดอกสว่านเสมอ
- ◆ ก่อนที่ปลายดอกสว่านจะเจาะทะลุวัสดุของชิ้นงานเล็กน้อย ให้ลดแรงที่กดลงบนเครื่องมือ
- ◆ ใช้ไม้รองรับชิ้นงานที่อาจมีเศษแตกกระเด็น
- ◆ ใช้ดอกสว่านใบพายเมื่อต้องการเจาะรูขนาดใหญ่ลงไม่ไม้
- ◆ ใช้ดอกสว่าน HSS เมื่อเจาะโลหะ
- ◆ ใช้ดอกสว่านเจาะปูนเมื่อเจาะปูนเนื้ออ่อน
- ◆ ใช้สารหล่อลื่นเมื่อเจาะโลหะที่ไม่ใช่เหล็กและทองเหลือง
- ◆ ทำรอบบายตัวด้วยตัวปากจุกกึ่งกลางที่จุกกึ่งกลางรูที่ต้องการเจาะเพื่อเพิ่มความแม่นยำ

การขันสกรู

- ◆ ใช้ดอกไขควงชนิดและขนาดที่เหมาะสมเสมอ
- ◆ หากสกรูขันได้ยาก ให้ลองทาน้ำสบู่เป็นสารหล่อลื่นเล็กน้อย
- ◆ จับเครื่องมือและดอกไขควงให้อยู่ในแนวเดียวกับสกรูเสมอ

การบำรุงรักษา

เครื่องมือ Stanley ออกแบบมาเพื่อให้สามารถใช้งานได้ยาวนานต่อเนื่องโดยมีการบำรุงรักษาที่น้อยที่สุด การทำงานในระดับที่สร้างความพึงพอใจได้อย่างต่อเนื่องจะขึ้นอยู่กับการดูแลรักษาเครื่องมือที่เหมาะสมและการทำความสะอาดอย่างสม่ำเสมอ

เครื่องชาร์จไม่ต้องการการดูแลพิเศษอื่นใดนอกเหนือจากการทำความสะอาดเป็นประจำ

คำเตือน ก่อนดำเนินการบำรุงรักษาเครื่องมือ ให้ถอดแบตเตอรี่ออกจากเครื่องมือก่อน ถอดปลั๊กเครื่องชาร์จออกก่อนจะทำความสะอาด

- ◆ ทำความสะอาดช่องระบายอากาศในเครื่องมือและเครื่องชาร์จของคุณเป็นประจำโดยใช้แปรงขนอ่อนหรือผ้าแห้ง
- ◆ ทำความสะอาดตัวมอเตอร์เป็นประจำโดยใช้ผ้าชุบน้ำหมาดๆ ห้ามใช้น้ำยาทำความสะอาดที่มีฤทธิ์กัดกร่อนหรือมีส่วนผสมของตัวทำละลาย
- ◆ เปิดตัวจับดอกสว่านออกมาเคาะเป็นประจำเพื่อกำจัดฝุ่นที่ติดอยู่ในตัวจับ

การปกป้องสิ่งแวดล้อม



การเก็บรวบรวมแยกขยะ ห้ามทิ้งผลิตภัณฑ์นี้ร่วมกับขยะในครัวเรือนปกติ

หากวันหนึ่งคุณพบว่า จำเป็นต้องเปลี่ยนผลิตภัณฑ์ Stanley ของคุณ หรือถ้าเครื่องมือไม่เป็นประโยชน์สำหรับคุณอีกต่อไปอย่าทิ้งผลิตภัณฑ์นี้รวมกับขยะในครัวเรือน โปรดจัดการกับผลิตภัณฑ์นี้เพื่อการเก็บรวบรวมแบบคัดแยก



การเก็บรวบรวมแบบคัดแยกสำหรับบรรจุภัณฑ์ และผลิตภัณฑ์ที่ใช้แล้วทำให้สามารถรีไซเคิลวัสดุ และนำมาใช้งานอีกครั้ง การนำวัสดุรีไซเคิลมาใช้อีกครั้งจะช่วยป้องกันมลพิษต่อสิ่งแวดล้อมและลดความต้องการวัตถุดิบ

ตามกฎหมายระเบียบท้องถิ่นอาจมีการจัดเตรียมสถานที่สำหรับการเก็บรวบรวมแบบคัดแยกอุปกรณ์ไฟฟ้าที่ใช้ภายในครัวเรือนไว้ ณ แหล่งรับขยะของเทศบาล หรืออาจมีการรับอุปกรณ์ใช้แล้วจากผู้ค้าปลีกในกรณีที่คุณซื้อผลิตภัณฑ์ชิ้นใหม่

แบตเตอรี่



ใช้แบตเตอรี่ให้หมดเกลี้ยง จากนั้นถอดแบตเตอรี่ออกจากอุปกรณ์

- ♦ แบตเตอรี่ชนิด NiCd, NiMH และ Li-Ion นั้นสามารถรีไซเคิลได้ โปรดนำแบตเตอรี่เหล่านี้ไปยังตัวแทนซ่อมแซมที่ได้รับการรับรองหรือศูนย์รีไซเคิลในท้องถิ่น

技術參數

STDC001L		
電壓	伏 (直流)	10.8
空載速度	轉/分	0-315, 0-1200
最大扭矩 (PTI 額定)	Nm	27
夾頭尺寸	毫米	10
最大鑽孔性能		
鋼材/木材	毫米	10/25
重量	千克	1.06

充電器		
輸入電壓	伏 (交流)	110
輸出電壓	伏 (直流)	10.8
電流	安培	2
充滿電大約時間	分鐘	30

電池	BL1110	BL1310	BL1510
電壓	伏 (直流) 10.8	10.8	10.8
容量	安培小時 1.1	1.3	1.5
類型	鋰離子	鋰離子	鋰離子

設計用途

本史丹利電鑽/起子機的設計用途是鎖螺絲，以及在木木材、金屬、和塑料材料上鑽孔。本工具僅限普通消費者使用。

安全須知

電動工具安全通則



警告！請閱讀所有安全警示與須知內容。如未能遵守以下任何指導內容，會導致觸電、火災或嚴重的人身傷害。

請妥善保管所有警示與須知，以備將來參考使用。下列警告提示中的術語“電動工具”指電驅動（有線）電動工具或電池驅動（無線）電動工具。

1. 工作場地

- 保持工作場地清潔和明亮。**混亂和黑暗的場地會引發事故。
- 請勿在易爆環境，如有易燃液體、氣體或粉塵的環境下操作電動工具。**電動工具產生的火花會點燃粉塵或氣體。
- 操作電動工具時請遠離兒童和旁觀者。**注意力不集中會導致工具失控。

2. 電氣安全

- 電動工具插頭必須與插座相配。**請勿以任何方式**改裝插頭**。需接地的電動工具不能使用任何轉換插頭。原裝的插頭和相配的插座將減少觸電危險。
- 避免人體接觸接地表面，如管道、散熱片和冰箱。**身體接地會增加觸電危險。
- 請勿將電動工具暴露在雨中或潮濕環境中。**電動工具接觸水將增加觸電危險。
- 請勿濫用電源線。**絕不能用電源線搬運、拉動**電動工具或拔出其插頭**。讓電源線遠離熱、油、銳邊或運動部件。受損或纏繞的電源線會增加觸電危險。
- 當在戶外使用電動工具時，請使用適合戶外使用的延長電線。**適合戶外使用的電線將減少觸電危險。
- 如果在潮濕的環境中使用電動工具，請使用漏電保護裝置 (RCD)，**使用此裝置可降低觸電危險。

3. 人身安全

- 保持警覺，當操作電動工具時關注所從事的操作並保持清醒。**切勿在有疲倦、藥物、酒精或治療反應下操作電動工具。在操作電動工具期間精力分散會導致嚴重人身傷害。
- 使用安全裝置，始終配戴護目鏡。**在適當條件下使用防塵面具、防滑安全鞋、安全帽、聽力防護等裝置能減少人身傷害。
- 避免意外運動。**確保工具在接入電源/電池、攜帶時**開關處於關閉狀態**。手指放在已接通電源的開關上火開關處於接通時插入電源可能會導致危險。
- 在電動工具起動之前，取掉所有調節鑰匙或扳手。**遺留在電動工具旋轉零件上的扳手或鑰匙會導致人身傷害。

- e. **不要超越操作距離。**時刻注意身體平衡，這樣在意外情況下能更好地控制電動工具。
- f. **合理著裝，操作工具時不要穿寬鬆衣服或佩帶飾品。**讓你的頭髮、衣服和袖子遠離運動部件。寬鬆服裝、佩飾或長發可能會捲入運動部件。
- g. **如果電動工具提供了與排屑裝置、集塵設備連接用的裝置，則確保他們連接完好且使用得當。**使用這些裝置可減少碎屑引起的危險。

4. 電動工具使用和注意事項

- a. **不要濫用電動工具，根據用途選用適當的電動工具。**合適的電動工具能在其額定的參數下更好更安全的完成作業。
- b. **如果開關不能接通或關閉工具電源，則不能使用該電動工具。**不能用開關來控制的電動工具是危險的且必須進行修理。
- c. **在進行任何調節、更換附件或存放電動工具之前，必須從電源上拔掉插頭和/或將電池盒脫開。**這種防護性措施將減少電動工具意外起動的危險。
- d. **將閒置電動工具貯存在兒童所及範圍之外，並且不要讓不熟悉電動工具或對這些說明不了解的人操作電動工具。**電動工具在未經培訓的用戶手中是危險的。
- e. **對電動工具進行維護。檢查運動部件的安裝偏差、零件破損情況和影響電動工具運行的其它條件。**如有損壞，電動工具必須在使用前修理好。許多事故是由於維護不良而引發。
- f. **保持刀具有良好鋒利的切削刃，這樣工具不易卡死且易控制。**
- g. **按照作業條件和工況情況，同時參照本說明書合理使用工具，附件及刀具。**電動工具用作那些與要求不符的操作可能會導致危險情況。

5. 電池驅動工具的使用和注意事項

- a. **僅使用廠家規定的充電器充電。**如利用某種電池的充電器給其它電池組充電，則可能會引發火災。
- b. **僅使用電動工具專門指定的電池組。**使用其它電池組可能引發傷害與火災。
- c. **不用時，把電池組保存在遠離其它金屬物體的地方，**如回形針、硬幣、鑰匙、釘子、螺釘或其它能夠連接兩個接線端子的細小金屬物體。電池端子短路可能引起燃燒或火災。
- d. **在濫用的情況下，電池可能噴出液體；應避免接觸液體。**如不小心接觸液體，請立即用水沖洗。如果液體進入眼睛，還應及時就醫。電池噴出的液體可能引起過敏或灼傷。

6. 維修

- a. **電動工具的維修必須由專業維修人員完成，且只能更換使相同規格的部件。**這樣能確保所維修的電動工具的安全性。

電動工具的附加安全守則



注意！請遵守電鑽和衝擊鑽的附加安全守則。

- ◆ **使用衝擊鑽時，請佩戴聽力保護器。**暴露在噪音中會損傷聽力。
- ◆ **請使用隨工具提供的輔助手柄。**工具失控會導致人身傷害。
- ◆ **工具配件可能接觸隱藏的導線時，請僅握持絕緣的把手錶面。**如果配件接觸“帶電”導線，工具暴露金屬部件的表面會“帶電”，並且導致操作員觸電。
- ◆ **緊固件可能接觸隱藏的導線時，請僅握持絕緣的把手錶面。**如果緊固件接觸“帶電”導線，工具暴露金屬部件的表面會“帶電”，並且導致操作員觸電。
- ◆ **請使用夾鉗或其它切實可行的方法來固定和支撐工件，將其固定到穩定的工作台上。**用手抓住工件或用身體抵住工件並不穩定，可能會導致工件失控。
- ◆ **鑽進牆壁、地板或天花板之前，請首先檢查導線和管道的位置。**
- ◆ **剛剛鑽完時，避免接觸鑽頭，**因為鑽頭可能很燙。
- ◆ **除非其安全負責人進行工具使用的監督或指導，**否則體力、感知能力或心智不足的人（包括兒童），以及缺乏經驗與相關知識的人不得使用本工具。必須看管兒童，勿使其拿本工具玩耍。
- ◆ **本指導手冊已經說明了預定用途。**如果配件或附件的使用、本工具的操作超出本指導手冊建議的範圍，則可能出現人身傷害和/或財產損壞風險。

他人安全

- ◆ **除非其安全負責人進行工具使用的監督或指導，**否則體力、感知能力或心智不足的人（包括兒童）不得使用本工具。
- ◆ **必須看管兒童，勿使其拿本工具玩耍。**

殘餘風險

使用工具時，可能出現本安全警示之外的其它殘餘風險。這些風險可能來自使用不當、使用時間過長等。

儘管實行了相關的安全法規、採用安全裝置，某些殘餘風險是不可避免的，這包括：

- ◆ 接觸旋轉/移動部件時的傷害風險。
- ◆ 更換部件、刀具或配件時的傷害風險。
- ◆ 長期使用時的傷害風險。長期使用任何工具時，均應定期休息。
- ◆ 聽力損傷。
- ◆ 吸入工具使用過程中產生的粉塵後，導致健康風險（例如：使用木材，特別是橡木、山毛櫸和中密度纖維板時）。

工具上的標誌

本工具有如下圖形標誌：



警告！為降低傷害風險，使用前務必閱讀使用手冊。

電池組和充電器安全附則

電池

- ◆ 禁止以任何理由試圖打開電池。
- ◆ 禁止與水接觸。
- ◆ 禁止存放在溫度可能超過40°C的地點。
- ◆ 僅在10到40°C的環境溫度範圍內充電。
- ◆ 僅使用隨工具配備的充電器。
- ◆ 丟棄電池時，請遵守“保護環境”章節中的規定。



禁止給損壞的電池充電。

充電器

- ◆ 本史丹利充電器僅限於隨電器/工具提供的電池充電。如用於其它電池，會導致電池爆炸，造成人身傷害與損壞。
- ◆ 嚴禁給非充電電池充電。
- ◆ 有問題的電源線應立即更換。
- ◆ 禁止暴露在水中。
- ◆ 請勿打開充電器。
- ◆ 請勿使用探針等查探充電器。



本充電座僅限室內使用。



使用工具前，請仔細閱讀使用手冊。

電氣安全



本工具所使用的充電器採用雙重絕緣；因此不需要地線。請務必檢查電源是否與銘牌上的電壓一致。禁止使用普通插頭代替充電器單元。

- ◆ 如果電源線損壞，必須由廠商或史丹利授權服務中心更換，以排除隱患。

部件名稱

本工具包含以下部分或全部部件：

1. 調速開關
2. 正轉/倒轉撥桿
3. 工具夾頭
4. 扭力調節環
5. 電池
6. 皮帶夾
7. LED工作指示燈
8. 速度選擇開關
9. 磁性夾頭
10. 充電器
11. 充電指示燈

圖A

10. 充電器
11. 充電指示燈

組裝

警告！組裝之前，請把電池從工具上取下。

電池安裝與拆卸步驟（圖C）

- ◆ 要安裝電池（5），將其對準工具上的電池插槽。然後，滑動電池進入插槽，向裡推直至電池咬合到位。
- ◆ 要取下電池，按下釋放按鈕（12），同時把電池從插槽中拉出。

鑽頭或起子頭的安裝與拆卸步驟（圖D）

本工具配有無鍵夾頭，便於更換工具頭。

- ◆ 把正轉/倒轉撥桿（2）設定到中心位置，即可鎖定工具。
- ◆ 握住夾頭（3）並逆時針旋轉（從夾頭端看）。
- ◆ 把工具頭柄（13）插入夾頭。
- ◆ 把夾頭順時針擰緊（從夾頭端看）。

警告！禁止通過握住夾頭前部並啟動工具來緊固鑽頭（或任何其它配件）。這會損壞夾頭並導致人身傷害。

給電池充電（圖A）

電池在首次使用前須充電；一旦不能產生充足電力來完成此前輕易完成的工作，亦需充電。充電過程中，電池會變熱；這是正常現象，並非故障。

警告！請勿在環境溫度低於10°C或大於40°C時給電池充電。建議充電溫度為大約24°C。

注意：當電池溫度低於大約10°C或高於40°C時，充電器不能給電池充電。此時，應把電池留在充電器中。當電池溫度回暖或冷卻下來後，充電器會自動開始充電。

- ◆ 要給電池（5）充電，將其插入充電器（10）中。電池只能以一種方式插入充電器。切勿強行插入。請確保電池與充電器完全配合到位。
- ◆ 插上充電器插頭並打開電源開關。

充電指示燈（11）會連續閃爍綠光（慢速）。充電指示燈（11）連續發綠光時，表明充電已經完成。充電器和電池可以無限期連接在一起，同時LED亮。充電器偶然給電池加滿電時，LED會轉變為綠色閃光（充電）狀態。只要電池與插好插頭的充電器保持連接，充電指示燈（11）就會發光。

- ◆ 電池放電後1個星期內應充電。如果存放放電後的電池，電池壽命會大大縮短。

把電池留在充電器中

充電器和電池組可以保持無期限連接，此時LED發光；充電器會保持電池充電並充滿。

充電器故障診斷

如果充電器檢測到電池已經老化或損壞，充電指示燈（11）會快速閃爍紅光。此時，請按如下步驟操作：

- ◆ 重新插入電池（5）。
- ◆ 如果充電指示燈繼續快速閃爍紅光，請使用另一塊電池來確定充電過程是否正常。
- ◆ 如果另一電池可以正常充電，則表明原電池失效，應送交維修中心回收。
- ◆ 如果另一電池遇到原電池同樣的問題，請把充電器送往授權維修中心檢測。

注意：確定電池是否失效需要的時間可能長達60分鐘。如果電池過熱或過冷，LED燈會快、慢交替閃紅光，快、慢閃光各閃一次，如此往復。

選擇旋轉方向（圖E）

當鑽孔和緊固螺絲時，採用正轉（順時針）。鬆開螺絲或撤出卡住的鑽頭時，使用反轉（逆時針）。

- ◆ 要選擇正轉，把正轉/反轉撥桿（2）推向左邊。
- ◆ 要選擇反轉，把正轉/反轉撥桿推向右邊。
- ◆ 要鎖定工具，把正轉/反轉撥桿置於中間位置。

力矩的選擇

本工具配有扭力調節環，可以滿足各種鎖螺絲和鑽孔需要。對於大螺絲和硬材質工件，其力矩要求比小螺絲和軟材質工件要高。各符號的定義如下：

- ◆ 在木材、金屬及塑料上鑽孔時，請把力矩調節環（4）設定到 1 圖標。
- ◆ 鎖螺絲時，把調節環設定到所需檔位。如果您不清楚正確設定，請按如下步驟操作：
 - 請把扭力調節環（4）設定到最小檔。
 - 鎖固第一顆螺絲。
 - 如果在達到所需結果前，離合器鬆開，請增加調節環的設定，繼續鎖螺絲，重複本步驟直到達到正確設定，並使用該設定來鎖其餘的螺絲。

速度選擇開關

- ◆ 在鋼材上鑽孔，或鎖螺絲時，請把速度選擇開關（8）滑動到工具後部（1檔）。
- ◆ 在非鋼材材料上鑽孔時，請把速度選擇開關（8）滑動到工具前部（2檔）。

鑽孔/鎖螺絲

- ◆ 使用正轉/倒轉撥桿（2）選擇正轉或倒轉。
- ◆ 要啟動工具，請按下開關（1）。工具速度取決於您按下開關的程度。
- ◆ 要關閉工具，鬆開開關即可。

LED工作指示燈

當觸發開關被按下時，LED工作指示燈（7）會自動啟動。當觸發開關被部分按下時，在工具開始旋轉之前，LED工作指示燈亮。

最佳操作提示

鑽孔

- ◆ 始終保持輕度壓力，與鑽頭成一直線。
- ◆ 在鑽頭即將透過工件另一側時，降低對工具施加的壓力。
- ◆ 如果工件可能碎裂，應襯以木塊。
- ◆ 在木塊上鑽大直徑孔時，應使用錐形鑽頭。
- ◆ 在金屬上鑽孔時，應使用HSS鑽頭。
- ◆ 在軟磚上鑽孔時，應使用磚石鑽頭。

- ◆ 在除鑄鐵或黃銅之外的金屬上鑽孔時，應使用潤滑劑。
- ◆ 使用中心沖頭衝出孔的中心點，以提高準確性。

鎖螺絲

- ◆ 請始終使用正確類型和尺寸的起子頭。
- ◆ 如果螺絲難於緊固，可使用少量的洗滌液或肥皂做潤滑劑。
- ◆ 請始終保持工具和起子頭與螺絲在同一直線上。

維護


本史丹利電動工具設計精良，可以長期運作，而只需極少的維護。要取得連續的令人滿意的工作效果，需要您做合適的保養和定期的清潔。

除了定期清潔外，本充電器無須其它維護


警告！維護工具前，必須從工具上取下電池；清潔充電器前，請拔下插頭。

- ◆ 定期使用軟刷或乾布清潔工具的通風槽。
- ◆ 定期使用濕布清潔馬達外殼，但不得使用任何研磨性或溶劑型清潔劑。
- ◆ 定期打開並輕拍夾頭，清除內部灰塵。

保護環境

 個別收集。本產品必須與一般家庭廢物分開處理。

如果您發現您的史丹利產品需要進行替換，或您已經不再需要使用這些產品，請不要將它們與家庭廢物一起處理。務必將本產品送往個別收集處。

 個別收集用過的產品和包裝允許材料再循環利用。重新使用循環利用的材料有助於防止環境污染，並減少原始材料的需求。

當您購買新產品時，可能提供從家用、城市垃圾站通過零售商個別收集電氣產品的當地法規。

史丹利提供設施收集和再循環利用使用壽命到期的史丹利產品。要利用這項服務，請將您的產品送往任何授權的維修代理，他們將協助我們收集這些回收產品。

要查詢最靠近您的授權維修代理，您可聯絡手冊中所載的您當地的史丹利辦事處。您也可以通過網站獲得授權的史丹利維修代理列表以及我們售後服務與聯絡人的完整詳情。

電池組



把電池組電力完全耗盡，然後從工具上取下。

- ◆ NiCd和NiMH電池是可以回收的。把它們送往經銷商或者本地的回收站。

進口商：新加坡商百得電動工具(股)台灣分公司

地址：台北市北投區裕民六路120號4F

電話：02-28201065

總經銷商：永安實業股份有限公司

地址：新北市三重區新北大道二段137號

電話：02-29994633

STDC001L
MÁY KHOAN DÙNG PIN LI-ION 10,8V

Thông số kỹ thuật

STDC001L		
Điện áp	V _{oc}	10,8
Tốc độ không tải	/phút	0-315, 0-1200
Mô men tối đa (Định mức PTI)	Nm	27
Công suất đầu kẹp	mm	10
Công suất khoan tối đa		
Thép/gỗ	mm	10/25
Trọng lượng	kg	1,1
Bộ sạc		
Điện áp đầu vào	V _{Ac}	220-240
Điện áp đầu ra	V _{oc}	10,8
Dòng điện đầu ra (Một chiều)	A	2
Thời gian sạc xấp xỉ	phút	30
Pin		
Điện áp	V _{oc}	10,8
Công suất	Ah	1,5
Loại		Li-Ion

Mục đích sử dụng

Máy khoan/vít được thiết kế để vận và khoan gỗ, kim loại và nhựa.

Hướng dẫn an toàn

Cảnh báo chung về an toàn các dụng cụ điện cầm tay



Cảnh báo! Đọc tất cả các cảnh báo và hướng dẫn về an toàn. Việc không tuân theo các cảnh báo và hướng dẫn được liệt kê dưới đây có thể gây giật điện, cháy nổ và/hoặc chấn thương nghiêm trọng.

Giữ lại tất cả các cảnh báo và hướng dẫn để tham khảo về sau.

Thuật ngữ "dụng cụ điện cầm tay" trong phần cảnh báo bên dưới chỉ thiết bị chạy bằng điện nguồn (có dây điện) hoặc thiết bị chạy bằng pin (không có dây điện).

1. An toàn tại nơi làm việc

- a. **Đảm bảo nơi làm việc luôn sạch sẽ và đủ ánh sáng.**
Những khu vực bừa bộn hoặc thiếu ánh sáng dễ gây tai nạn.
- b. **Không vận hành dụng cụ điện cầm tay trong các môi trường dễ cháy nổ, như các môi trường có chất lỏng, khí ga hoặc bụi.** Dụng cụ điện cầm tay tạo ra các tia lửa điện có thể gây cháy bụi hoặc bốc khói.
- c. **Không cho trẻ em và người quan sát lại gần khi đang vận hành dụng cụ điện cầm tay.** Những lúc xao lãng có thể khiến bạn mất kiểm soát.

2. An toàn điện

- a. **Phích cắm của dụng cụ điện cầm tay phải vừa với ổ cắm.** Không được sửa đổi phích cắm dưới bất kỳ hình thức nào. Không được sử dụng các phích cắm tiếp hợp với những dụng cụ điện cầm tay có nối đất. Phích cắm không vừa chừa và ổ cắm phù hợp sẽ giảm nguy cơ bị điện giật.

- b. **Tránh tiếp xúc với các bề mặt được nối đất như đường ống, lò sưởi, bếp nướng và tủ lạnh.** Nguy cơ bị điện giật sẽ cao hơn nếu cơ thể bạn nối đất.
- c. **Không được để các dụng cụ điện cầm tay ở ngoài mưa hoặc nơi ẩm ướt.** Nước vào trong dụng cụ điện cầm tay sẽ làm tăng nguy cơ bị điện giật.
- d. **Không được dùng dây điện cho các mục đích khác.** Tuyết đối không sử dụng dây điện để mang, kéo hoặc rút phích cắm dụng cụ điện cầm tay. **Đề dây điện cách xa nguồn nhiệt, dầu mỡ, các cạnh sắc hoặc các bộ phận chuyển động.** Dây điện bị hỏng hoặc bị vướng sẽ làm tăng nguy cơ bị điện giật.
- e. **Khi vận hành dụng cụ điện cầm tay ngoài trời, hãy sử dụng dây nối dài phù hợp để sử dụng ngoài trời.** Sử dụng dây điện phù hợp để sử dụng ngoài trời sẽ giảm nguy cơ bị điện giật.
- f. **Nếu bắt buộc phải vận hành dụng cụ điện cầm tay ở nơi ẩm ướt, hãy sử dụng nguồn được bảo vệ bởi thiết bị ngắt mạch tự động (RCD).** Sử dụng RCD giảm nguy cơ bị điện giật.

3. An toàn cá nhân

- a. **Hãy tập trung, chú ý vào những gì bạn đang làm và tình táo khi vận hành dụng cụ điện cầm tay.** Không được sử dụng dụng cụ điện cầm tay khi bạn đang mệt hoặc uống rượu bia, sử dụng ma túy hoặc chất kích thích. Một khoảng khắc mắt tập trung trong khi vận hành dụng cụ điện cầm tay có thể dẫn đến chấn thương cá nhân nghiêm trọng.
- b. **Sử dụng trang bị bảo hộ cá nhân.** Luôn đeo kính bảo hộ. Thiết bị bảo hộ như mặt nạ chống bụi, giày chống trượt, mũ cứng, hoặc bảo vệ tai nếu được sử dụng ở những điều kiện phù hợp sẽ giảm các chấn thương cá nhân.
- c. **Tránh bật máy không chủ định.** **Đảm bảo rằng công tắc ở vị trí tắt trước khi nối với nguồn điện và/hoặc pin, khi cầm lên hoặc mang dụng cụ.** Việc cầm dụng cụ điện cầm tay khi ngón tay đặt vào công tắc hoặc sac pin cho dụng cụ điện cầm tay khi công tắc đang bật có thể gây tai nạn.
- d. **Hãy tháo hết khóa điều chỉnh hoặc cờ lê trước khi bật dụng cụ điện cầm tay.** Cờ lê hoặc khóa vẫn để ở bộ phận quay của dụng cụ điện cầm tay có thể dẫn đến chấn thương cá nhân.
- e. **Không được với tay.** **Hãy đứng ở tư thế thích hợp và luôn giữ thăng bằng.** Điều đó giúp kiểm soát dụng cụ điện cầm tay tốt hơn ở các tình huống không lường trước.
- f. **Mặc quần áo phù hợp.** **Không mặc quần áo rộng hoặc đeo đồ trang sức.** Giữ cho tóc, quần áo và găng tay tránh xa khỏi các bộ phận chuyển động. Quần áo rộng, đồ trang sức hoặc tóc dài có thể bị mắc vào các bộ phận chuyển động.
- g. **Nếu các dụng cụ được cung cấp để nối các phương tiện hút hoặc gom bụi, hãy đảm bảo những dụng cụ này được nối và sử dụng đúng cách.** Sử dụng thiết bị gom bụi có thể giảm các nguy cơ liên quan đến bụi.

4. **Sử dụng và bảo quản dụng cụ điện cầm tay**
- a. **Sử dụng dụng cụ điện cầm tay phù hợp.** Sử dụng dụng cụ điện cầm tay phù hợp với mục đích của bạn. Dụng cụ điện cầm tay phù hợp sẽ giúp cho công việc tốt hơn và an toàn hơn theo đúng tốc độ được thiết kế.
- b. **Không sử dụng dụng cụ điện cầm tay nếu công tác không bền và tắt được.** Những dụng cụ điện cầm tay không điều khiển được bằng công tắc đều rất nguy hiểm và cần phải được sửa chữa.
- c. **Rút phích cắm dụng cụ điện cầm tay khỏi nguồn điện và/hoặc pin trước khi thực hiện các điều chỉnh, thay đổi phụ kiện hoặc cất giữ dụng cụ.** Các biện pháp an toàn phòng ngừa đó giúp giảm nguy cơ khởi động dụng cụ điện cầm tay một cách tình cờ.
- d. **Bảo quản các dụng cụ điện cầm tay không sử dụng ngoài tầm với của trẻ em và không cho phép những người không quen với dụng cụ điện cầm tay hoặc những hướng dẫn này vận hành dụng cụ điện cầm tay.** Dụng cụ điện cầm tay sẽ rất nguy hiểm khi được những người chưa được huấn luyện.
- e. **Bảo trì dụng cụ điện cầm tay.** Kiểm tra các bộ phận di chuyển xem có bị lắp lệch hoặc kẹt không, các bộ phận có bị vỡ không và bất kỳ tình trạng nào khác có thể ảnh hưởng đến việc vận hành dụng cụ điện cầm tay. Nếu dụng cụ điện cầm tay bị hỏng, hãy sửa chữa trước khi sử dụng. Rất nhiều tai nạn là do các dụng cụ điện cầm tay được bảo trì kém.
- f. **Đảm bảo các dụng cụ cắt luôn sắc và sạch sẽ.** Các dụng cụ cắt được bảo trì đúng cách với các cạnh cắt sắc sẽ ít bị kẹt hơn và dễ điều khiển hơn.
- g. **Sử dụng dụng cụ điện cầm tay, các phụ kiện và dụng cụ cắt không quay... theo các chỉ dẫn này, chú ý đến các điều kiện làm việc và công việc cần thực hiện.** Việc sử dụng dụng cụ điện cầm tay cho các mục đích khác có thể dẫn đến tình huống nguy hiểm.
5. **Sử dụng và bảo quản pin**
- a. **Chỉ sạc bằng bộ sạc mà nhà sản xuất đưa ra.** Nếu sử dụng bộ sạc không thích hợp với pin có thể dẫn tới nguy cơ gây cháy nổ.
- b. **Chỉ sử dụng pin được thiết kế riêng cho dụng cụ.** Sử dụng các loại pin khác có thể dẫn tới nguy cơ bị chấn thương và gây cháy nổ.
- c. **Khi không sử dụng pin, để pin tránh xa các vật dụng kim loại như kẹp giấy, tiền đồng, chìa khóa, đinh, vít, hay các vật dụng kim loại nhỏ khác có thể tạo kết nối từ cực này sang cực khác.** Trường hợp các cực của pin bị chạm mạch với nhau có thể gây ra hỏa hoạn.
- d. **Nếu lạm dụng pin, dung dịch có thể chảy ra từ pin; tránh tiếp xúc.** Nếu vô tình tiếp xúc, hãy rửa lại với nước. Nếu chất lỏng dính vào mắt, tìm kiếm trợ giúp y tế. Dung dịch chảy từ pin có thể gây kích ứng hoặc bỏng da.

6. Bảo dưỡng

- a. **Hãy mang dụng cụ điện cầm tay đi bảo dưỡng bởi nhân viên bảo dưỡng có chuyên môn, chỉ sử dụng các phụ tùng thay thế chính hãng.** Điều này giúp duy trì mức độ an toàn của dụng cụ điện cầm tay.

Cảnh báo khác về an toàn dụng cụ điện cầm tay



Cảnh báo! Các cảnh báo bổ sung về an toàn cho các máy khoan và máy khoan va đập

- ◆ **Đeo bảo vệ tai khi làm việc với chế độ khoan búa.** Việc tiếp xúc với tiếng ồn có thể gây tổn hại đến thính lực.
- ◆ **Sử dụng các tay cầm phụ kèm theo dụng cụ.** Việc mất khả năng kiểm soát có thể gây chấn thương cá nhân.
- ◆ **Chỉ cầm dụng cụ điện cầm tay ở phần bề mặt tay cầm cách điện khi thực hiện thao tác mà phụ kiện cắt có thể tiếp xúc với hệ thống dây điện chìm.** Phụ kiện cắt tiếp xúc với dây "có điện" có thể khiến các bộ phận kim loại hở của dụng cụ điện cầm tay "nhiễm điện" và khiến người vận hành bị giật điện.
- ◆ **Chỉ cầm dụng cụ điện cầm tay ở phần bề mặt tay cầm cách điện khi thực hiện thao tác mà mô cặp có thể tiếp xúc với hệ thống dây điện chìm.** Mô cặp tiếp xúc với dây "có điện" có thể khiến các bộ phận kim loại hở của dụng cụ điện cầm tay "nhiễm điện" và khiến người vận hành bị giật điện.
- ◆ **Dùng kẹp hay áp dụng một biện pháp thực tế khác nhằm bảo đảm và cố định phối gia công trên bàn máy.** Giữ phối bằng tay hay dựa phối vào người bạn đều làm cho phối không vững và có thể khiến bạn mất kiểm soát.
- ◆ **Trước khi khoan vào tường, sàn hay trần nhà, hãy kiểm tra vị trí lắp đặt đường dây và đường ống.**
- ◆ **Tránh chạm vào đầu mũi khoan ngay sau khi khoan vì mũi khoan lúc này vẫn có thể đang nóng.**
- ◆ **Không cho phép những cá nhân (bao gồm cả trẻ em) bị suy giảm khả năng thể chất, trí tuệ hoặc cảm giác, hay người thiếu kinh nghiệm và kiến thức sử dụng dụng cụ điện cầm tay này, trừ khi có sự giám sát hoặc hướng dẫn của người chịu trách nhiệm về vấn đề an toàn của những cá nhân này. Phải giám sát để đảm bảo trẻ không nghịch thiết bị.**
- ◆ **Mục đích sử dụng được mô tả trong tài liệu hướng dẫn này.** Việc sử dụng bất kỳ phụ kiện hay đồ giá hoặc thực hiện vận hành dụng cụ này ngoài các mục đích sử dụng khuyến nghị trong tài liệu hướng dẫn này có thể dẫn đến nguy cơ chấn thương cá nhân và/hoặc hư hỏng tài sản.

An toàn cho người khác

- ◆ Không cho phép những cá nhân (bao gồm cả trẻ em) bị suy giảm khả năng thể chất, trí tuệ hoặc cảm giác, hay người thiếu kinh nghiệm và kiến thức sử dụng dụng cụ điện cầm tay này, trừ khi có sự giám sát hoặc hướng dẫn của người chịu trách nhiệm về vấn đề an toàn của những cá nhân này.
- ◆ Phải giám sát để đảm bảo trẻ không nghịch thiết bị.

Các nguy cơ còn lại.

Các nguy cơ còn lại khác có thể phát sinh khi sử dụng dụng cụ không nằm trong các cảnh báo an toàn đính kèm. Những nguy cơ này có thể phát sinh từ việc sử dụng sai mục đích, sử dụng trong thời gian dài,...

Kể cả việc áp dụng các quy tắc an toàn liên quan và dùng các dụng cụ an toàn cũng không thể tránh được một số nguy cơ còn lại. Những nguy cơ này gồm:

- ◆ Chấn thương do chạm vào bất kỳ bộ phận đang quay/chuyển động nào.
- ◆ Chấn thương do thay đổi bất kỳ bộ phận, lưỡi dao hay phụ kiện nào.
- ◆ Chấn thương do sử dụng dụng cụ trong thời gian dài. Khi sử dụng bất kỳ một dụng cụ nào trong khoảng thời gian dài, bạn phải đảm bảo nghỉ giải lao thường xuyên.
- ◆ Suy giảm thính lực.
- ◆ Các mối nguy hại cho sức khỏe do hít phải nhiều bụi khi sử dụng dụng cụ (chẳng hạn:- làm việc với gỗ, đặc biệt là gỗ sồi, gỗ dẻ gai và gỗ ép.)

Ký hiệu trên máy

Những ký hiệu sau có trên dụng cụ:



Cảnh báo! Để giảm nguy cơ chấn thương, người sử dụng phải đọc sổ tay hướng dẫn.

Các hướng dẫn an toàn bổ sung cho pin và bộ sạc

Pin

- ◆ Không được cố mở pin dù bất cứ lý do nào.
- ◆ Không để pin tiếp xúc với nước.
- ◆ Không bảo quản ở nơi nhiệt độ có khả năng vượt quá 40°C.
- ◆ Chỉ sạc pin khi nhiệt độ xung quanh dao động từ 10°C đến 40°C.
- ◆ Chỉ sử dụng bộ sạc pin được cung cấp cùng với dụng cụ.
- ◆ Khi vứt bỏ pin, phải tuân theo các hướng dẫn nêu trong phần "Bảo vệ môi trường".



Không cố sạc pin khi đã hỏng.

Bộ sạc

- ◆ Chỉ sử dụng bộ sạc của Stanley để sạc pin cho máy mà pin đi kèm, các loại pin khác có thể gây cháy nổ, gây chấn thương cá nhân và gây hỏng hóc.
- ◆ Tuyệt đối không cố sạc loại pin dùng một lần.
- ◆ Lặp tức thay dây nguồn đã hỏng.
- ◆ Không để bộ sạc tiếp xúc với nước.
- ◆ Không mở bộ sạc ra.
- ◆ Không chọc que vào bộ sạc.



Bộ sạc chỉ sử dụng trong nhà.



Đọc kỹ hướng dẫn sử dụng trước khi dùng.

An toàn điện



Bộ sạc được cách điện kép nên không cần dây nối đất. Luôn kiểm tra điện áp nguồn xem có bằng với điện áp trên tấm định mức hay không. Tuyệt đối không thay bộ sạc bằng loại phích cắm điện thông thường.

- ◆ Dây điện bị hỏng phải được thay thế bởi nhà sản xuất hoặc trung tâm bảo hành Stanley được ủy quyền để tránh nguy hiểm.

Tính năng

Dụng cụ này gồm một số hoặc tất cả những tính năng sau.

1. Công tắc thay đổi tốc độ
2. Nút đảo chiều thuận/ngịch
3. Đầu kẹp
4. Vòng điều chỉnh mô men
5. Pin
6. Kẹp đai
7. Đèn làm việc LED
8. Công tắc chọn tốc độ
9. Giá đỡ mũi khoan tự

Hình A

10. Bộ sạc
11. Đèn báo sạc

Lắp ráp

Cảnh báo! Trước khi lắp, tháo pin ra khỏi dụng cụ.

Lắp và tháo pin (hình C)

- ◆ **Để lắp pin (5), đặt pin vào hốc cắm trên thiết bị.** Trượt và ấn pin vào hốc cắm sao cho lắp vừa khít pin vào đúng vị trí.

- ◆ Để tháo pin, nhấn nút tháo pin (12) đồng thời kéo pin ra khỏi hốc cắm.

Tháo và lắp mũi khoan hoặc mũi vít (hình D)

Dụng cụ này khớp với đầu kẹp không cần khóa để cho phép dễ dàng thay mũi khoan.

- ◆ Khóa dụng cụ bằng cách đưa nút đảo chiều thuận/ngịch (2) về vị trí trung tâm.
- ◆ Vỗ đầu kẹp (3) và xoay theo ngược chiều kim đồng hồ theo hướng nhìn từ đầu kia của đầu kẹp.
- ◆ Lắp trực mũi khoan (13) vào đầu kẹp.
- ◆ Xiết chặt đầu kẹp bằng cách xoay nó theo chiều kim đồng hồ theo hướng nhìn từ đầu kia của đầu kẹp.

Cảnh báo! Không xiết chặt mũi khoan (hoặc bất kỳ phụ kiện nào khác) bằng cách kẹp phần mặt trước của đầu kẹp và bật dụng cụ. Có thể làm hỏng đầu kẹp và gây chấn thương cá nhân khi thay phụ kiện bằng cách này.

Sử dụng

Cảnh báo! Đảm bảo dụng cụ làm việc ở tốc độ cho phép. Không được chạy quá tải.

Sạc pin (hình A)

Cần sạc pin trước lần sử dụng đầu tiên và bất cứ khi nào pin không đủ điện để thực hiện công việc mà trước đó đã được thực hiện một cách dễ dàng. Khi sạc, pin sẽ ấm lên; điều này là bình thường và không có vấn đề gì.

Cảnh báo! Không sạc pin khi nhiệt độ xung quanh dưới 10 °C hoặc trên 40 °C. Nên sạc pin ở nhiệt độ khoảng 24 °C.

Lưu ý: Bộ sạc sẽ không sạc pin nếu nhiệt độ pin thấp hơn khoảng 10 °C hoặc trên 40 °C. **Cần để pin trong bộ sạc và bộ sạc sẽ bắt đầu tự động sạc pin khi nhiệt độ pin ấm lên hoặc giảm xuống.**

- ◆ Để sạc pin (5), lắp pin vào bộ sạc (10). **Pin sẽ chỉ khớp vào bộ sạc theo một chiều.** Không được ấn. Đảm bảo pin hoàn toàn khớp vào bộ sạc.
- ◆ Cắm bộ sạc và bật nguồn.

Đèn báo sạc (11) sẽ liên tục nhấp nháy màu xanh (chậm).

Sạc xong khi đèn báo sạc (11) liên tục sáng màu xanh lá. Bộ sạc và pin có thể **kết nối liên tục khi đèn LED sáng.**

Đèn LED sẽ thay đổi sang trạng thái nhấp nháy màu xanh (đang sạc) khi bộ sạc thường xuyên sạc đầy. Đèn báo sạc (11) sẽ phát sáng ngay khi pin được kết nối với bộ sạc đã cắm nguồn.

- ◆ Sạc pin hết điện trong vòng 1 tuần. Tuổi thọ của pin sẽ bị giảm đáng kể nếu bảo quản ở các trạng thái không có điện.

Để pin trong bộ sạc

Bộ sạc và pin có thể để kết nối khi đèn LED **phát sáng liên tục. Bộ sạc sẽ giữ cho pin luôn mới và đầy.**

Chẩn đoán bộ sạc

Nếu bộ sạc phát hiện pin yếu hay bị hỏng, đèn **cách dòng (11) sẽ nhấp nháy màu đỏ rất nhanh. Thực hiện** như sau:

- ◆ Lắp lại pin (5).
- ◆ **Nếu đèn báo sạc vẫn tiếp tục nhấp nháy màu đỏ nhanh** thì sử dụng pin khác để xác định xem quá trình sạc đúng cách hay chưa.
- ◆ Nếu pin thay thế có thể sạc được, thì pin ban đầu đã bị hỏng và nên mang trả lại trung tâm bảo hành để tái chế.
- ◆ Nếu pin mới vẫn hiển thị báo như pin cũ, thì mang bộ sạc tới kiểm tra tại trung tâm bảo hành ủy quyền.

Lưu ý: Có thể mất 60 phút để xác định xem pin có bị hỏng hay không. **Nếu pin quá nóng hoặc lạnh, đèn LED sẽ lần lượt nhấp nháy đỏ, nhanh và chậm, một lần chớp tại mỗi tốc độ và lặp đi lặp lại.**

Chọn hướng quay (hình E)

Để khoan hay xiết vít, sử dụng chiều quay thuận (theo chiều kim đồng hồ). Để tháo vít hoặc tháo mũi khoan bị kẹt, sử dụng chiều quay nghịch (ngược chiều kim đồng hồ).

- ◆ Để chọn quay theo chiều thuận, đẩy nút đảo chiều thuận/ngịch (2) sang bên trái.
- ◆ Để chọn chiều quay nghịch, đẩy nút đảo chiều thuận/ngịch sang bên phải.
- ◆ Để khóa máy, đưa nút đảo chiều thuận/ngịch về vị trí trung tâm.

Chọn mô men

Thiết bị này được gá bằng một vòng chuyển tốc độ để đặt mô men cho nhiều ứng dụng bắt vít và khoan. Vít kích thước lớn hoặc vật liệu phối cứng đòi hỏi mô men cao hơn loại vít nhỏ và vật liệu phối mềm. Để biết thêm về ý nghĩa biểu tượng, tham khảo phần liệt kê phía dưới.

- ◆ Để khoan gỗ, kim loại và nhựa, đặt vòng điều chỉnh mô men (4) tại vị trí 1 biểu tượng.
- ◆ Để bắt vít, đặt vòng chuyển tốc độ vào vị trí mong muốn. Nếu bạn chưa biết cách đặt phù hợp, thực hiện như sau:
 - Đặt vòng điều chỉnh mô men (4) vào vị trí mô men thấp nhất.
 - **Xiết chặt vít đầu tiên.**
 - Nếu khớp ly hợp tạo bánh cóc trước khi đạt tới kết quả mong muốn thì tăng mức xiết vòng điều chỉnh và tiếp tục xiết vít. Lặp lại cho đến khi bạn đã thiết lập chính xác. Sử dụng cách thiết lập này cho các vít còn lại.

Công tắc chọn tốc độ

- ◆ Để khoan thép hoặc bắt vít, kéo bộ chọn tốc độ (8) về phía sau thiết bị (01số).
- ◆ Để khoan vật liệu khác ngoài thép, kéo bộ chọn tốc độ (8) về phía trước thiết bị (số 2).

Khoan/bắt vít

- ◆ Chọn chiều quay thuận hoặc nghịch sử dụng nút đảo chiều thuận/ngịch (2).
- ◆ Để bật dụng cụ lên, ấn công tắc (1). Tốc độ dụng cụ phụ thuộc vào lực ấn công tắc của bạn.
- ◆ Để tắt dụng cụ, nhả công tắc.

Đèn làm việc LED

Đèn làm việc LED (7) tự động khởi động khi ấn công tắc khởi động. Đèn làm việc LED sẽ sáng khi ấn công tắc khởi động một phần, trước khi máy bắt đầu chạy.

Gợi ý để sử dụng tối ưu

Khoan

- ◆ Luôn tác dụng lực nhẹ trên một đường thẳng với mũi khoan.
- ◆ Ngay trước khi đầu mũi khoan xuyên thủng tới mặt kia của phối, giảm lực tác dụng lên máy.
- ◆ Dùng một miếng gỗ để lót phía dưới phối có thể bị vụn.
- ◆ Dùng mũi khoan hình mai khi khoan lỗ có đường kính lớn trên gỗ.
- ◆ Dùng mũi khoan HSS khi khoan kim loại.
- ◆ Sử dụng mũi khoan tường, gạch vữa, khi khoan các tường, gạch vữa, mềm.
- ◆ Dùng dầu bôi trơn khi khoan kim loại, trừ gang và đồng thau.
- ◆ Đánh dấu bằng mũi đục tâm tại tâm của lỗ để khoan chính xác hơn.

Bắt vít

- ◆ Luôn sử dụng đúng loại và kích cỡ mũi khoan vít.
- ◆ **Nếu khó vận chặt vít, hãy thử bôi một chút** dung dịch tẩy rửa hoặc dầu bôi trơn.
- ◆ Luôn đặt dụng cụ và mũi đinh vít thẳng hàng với vít.

Bảo trì

Dụng cụ của Stanley được thiết kế để vận hành trong thời gian dài và ít phải bảo trì nhất. Dụng cụ vận hành liên tục theo ý muốn tùy thuộc vào việc bảo quản dụng cụ đúng cách và vệ sinh thường xuyên.

Bộ sạc không cần bảo dưỡng nhưng phải thường xuyên lau chùi.

Cảnh báo! Trước khi tiến hành bảo dưỡng trên dụng cụ, tháo pin ra khỏi dụng cụ. Rút phích cắm bộ sạc trước khi vệ sinh.

- ◆ Thường xuyên lau chùi các khe thông gió trong dụng cụ và bộ sạc bằng chổi mềm hoặc khăn khô.
- ◆ Thường xuyên lau chùi vỏ động cơ bằng khăn ẩm. Không dùng chất tẩy rửa có chứa dung môi hay chất mài mòn.
- ◆ Thường xuyên mở đầu kẹp và vỏ nhẹ để trút bụi ở bên trong ra.

Bảo vệ Môi trường



Thu gom riêng. Không được vứt bỏ sản phẩm này với rác thải sinh hoạt thông thường.

Nếu sản phẩm Stanley của bạn cần phải thay thế, hoặc bạn không sử dụng nó trong tương lai nữa, đừng thải bỏ cùng với rác thải sinh hoạt. Sản phẩm phải được thu gom riêng.



Thu gom riêng sản phẩm đã qua sử dụng và đóng gói lại sẽ cho phép tái chế và tái sử dụng vật liệu. Tái sử dụng vật liệu tái sinh giúp ngăn chặn ô nhiễm môi trường và giảm nhu cầu đối với vật liệu thô.

Luật lệ địa phương có thể quy định việc thu gom riêng các sản phẩm điện gia dụng, tại các bãi rác thải đô thị hoặc bởi những người bán lẻ khi bạn mua sản phẩm mới.

Pin



Xả hết pin, sau đó tháo pin ra khỏi dụng cụ.

- ◆ Các loại pin NiCd, NiMH và Li-Ion có thể tái chế được. Hãy mang chúng đến bất kỳ đại lý sửa chữa ủy quyền hoặc trạm tái chế địa phương nào.

