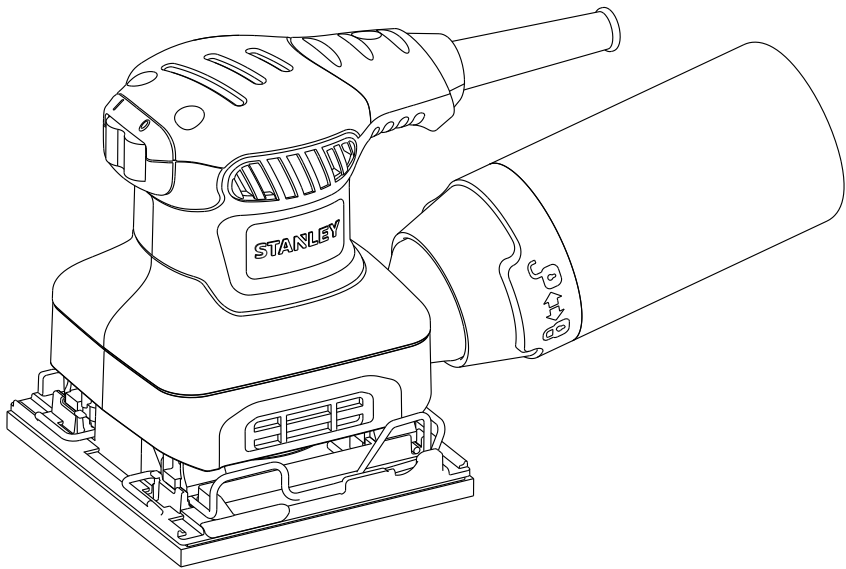


# STANLEY



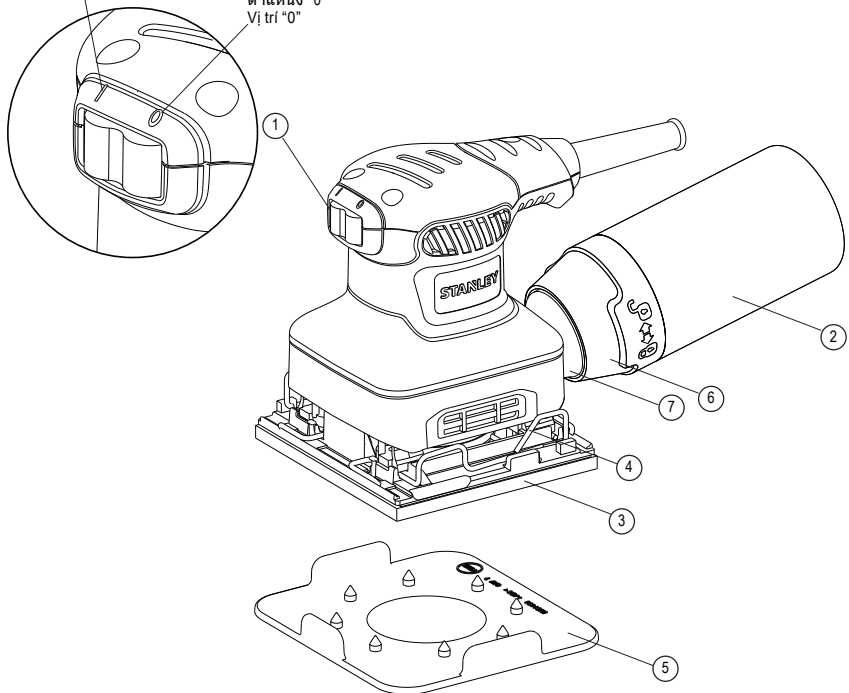
**SS24**

English	5
简体中文	10
繁體中文	14
한국어	19
BAHASA INDONESIA	24
ภาษาไทย	30
TIẾNG VIỆT	36

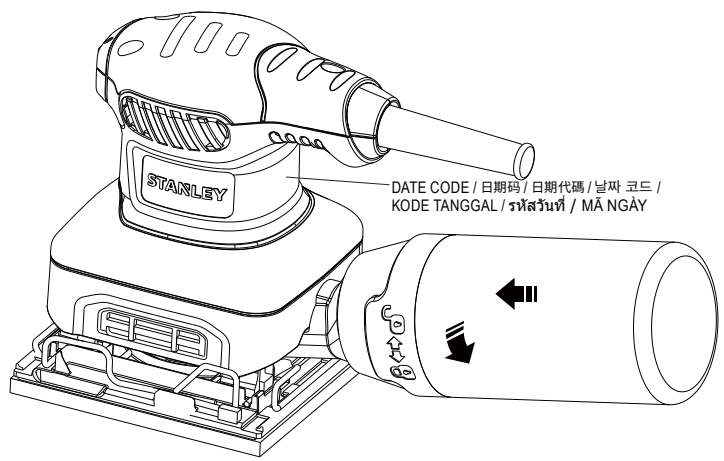
A

"1" Place  
 "1" 位置  
 「1」位置  
 "1" 위치  
 Tempat "1"  
 ตำแหน่ง "1"  
 Vị trí "1"

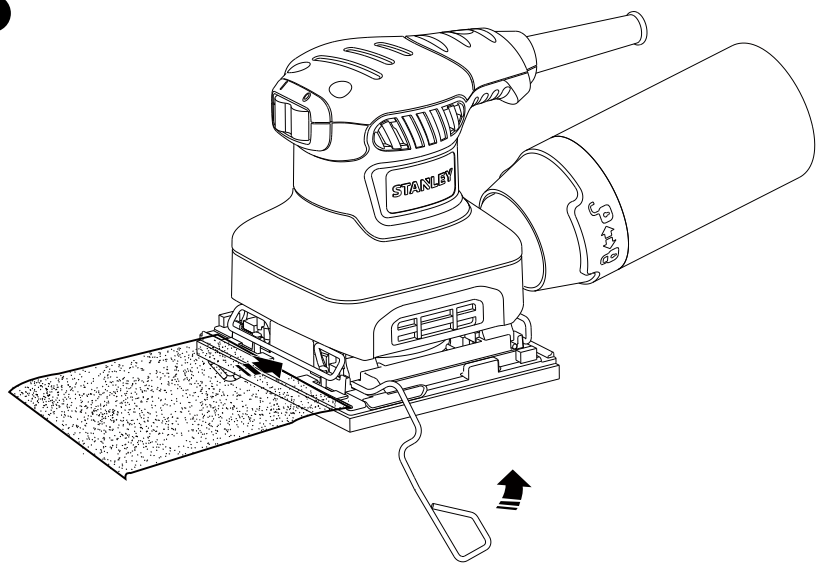
"0" Place  
 "0" 位置  
 「0」位置  
 "0" 위치  
 Tempat "0"  
 ตำแหน่ง "0"  
 Vị trí "0"



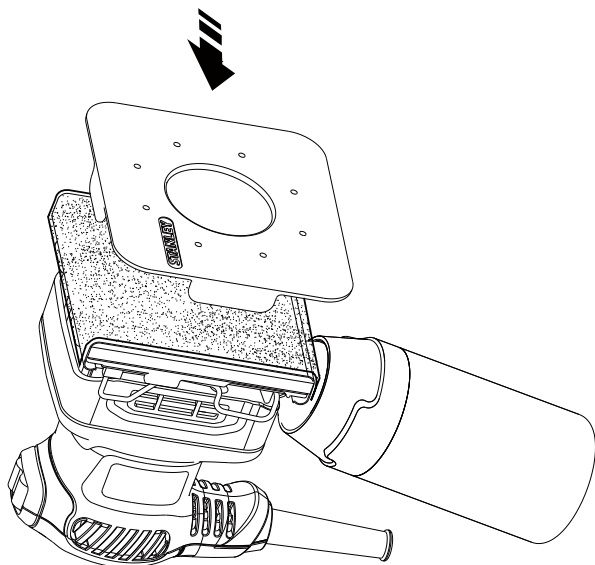
**B**



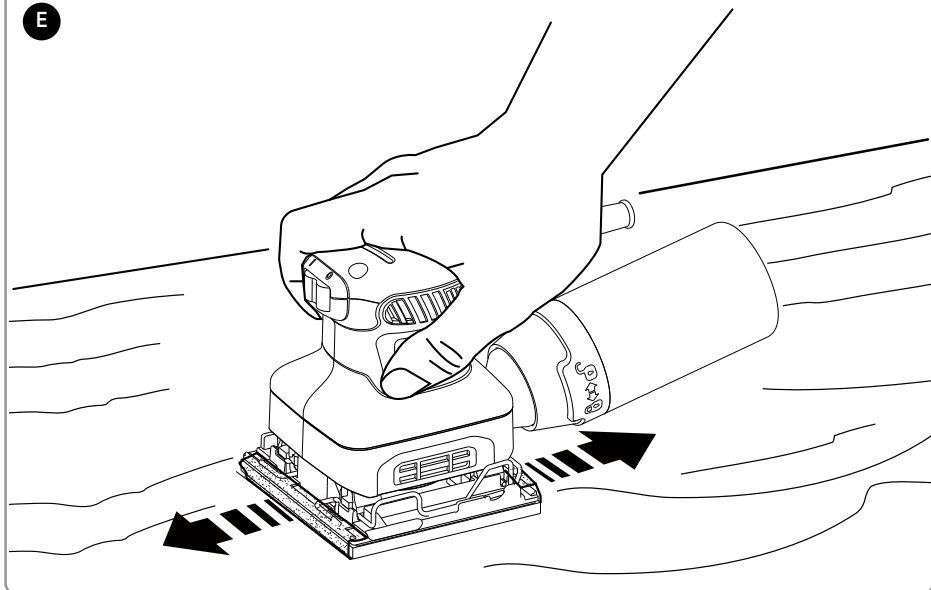
**C**



D



E



## INTENDED USE

Your STANLEY 1/4 Sheet Sander SS24 has been designed for sanding wood, metal, plastics and painted surfaces. This tool is intended for professional use.

## SAFETY INSTRUCTIONS

The definitions below describe the level of severity for each signal word. Please read the manual and pay attention to these symbols.



**DANGER:** Indicates an imminently hazardous situation which, if not avoided, **will result in death or serious injury.**



**WARNING:** Indicates a potentially hazardous situation which, if not avoided, **could result in death or serious injury.**



**CAUTION:** Indicates a potentially hazardous situation which, if not avoided, **may result in minor or moderate injury.**

**NOTICE:** Indicates a practice not related to personal injury which, if not avoided, **may result in property damage.**



Denotes risk of electric shock.



Denotes risk of fire.



**Warning:** To reduce the risk of injury, read the instruction manual.

## General Power Tool Safety Warnings



**WARNING!** Read all safety warnings, instructions, illustrations and specifications provided with this power tool. Failure to follow all instructions listed below may result in electric shock, fire and/or serious injury.

### Save all warnings and instructions for future reference

The term "power tool" in the warnings refers to your mains-operated (corded) power tool or battery operated (cordless) power tool.

#### 1. Work area safety

- Keep work area clean and well lit.** Cluttered or dark areas invite accidents.
- Do not operate power tools in explosive atmospheres, such as in the presence of flammable liquids, gases or dust.** Power tools create sparks which may ignite the dust or fumes.
- Keep children and bystanders away while operating a power tool.** Distractions can cause you to lose control.

#### 2. Electrical Safety

- Power tool plugs must match the outlet. Never modify the plug in any way. Do not use any adapter plugs with earthed (grounded) power**

**tools.** Unmodified plugs and matching outlets will reduce risk of electric shock.

- Avoid body contact with earthed or grounded surfaces such as pipes, radiators, ranges and refrigerators.** There is an increased risk of electric shock if your body is earthed or grounded.
- Do not expose power tools to rain or wet conditions.** Water entering a power tool will increase the risk of electric shock.
- Do not abuse the cord. Never use the cord for carrying, pulling or unplugging the power tool. Keep cord away from heat, oil, sharp edges or moving parts.** Damaged or entangled cords increase the risk of electric shock.
- When operating a power tool outdoors, use an extension cord suitable for outdoor use.** Use of a cord suitable for outdoor use reduces the risk of electric shock.
- If operating a power tool in a damp location is unavoidable, use a residual current device (RCD) protected supply.** Use of an RCD reduces the risk of electric shock.

#### 3. Personal Safety

- Stay alert, watch what you are doing and use common sense when operating a power tool. Do not use a power tool while you are tired or under the influence of drugs, alcohol or medication.** A moment of inattention while operating power tools may result in serious personal injury.
- Use personal protective equipment. Always wear eye protection.** Protective equipment such as a dust mask, non-skid safety shoes, hard hat, or hearing protection used for appropriate conditions will reduce personal injuries.
- Prevent unintentional starting. Ensure the switch is in the off position before connecting to power source and/or battery pack, picking up or carrying the tool.** Carrying power tools with your finger on the switch or energising power tools that have the switch on invites accidents.
- Remove any adjusting key or wrench before turning the power tool on.** A wrench or a key left attached to a rotating part of the power tool may result in personal injury.
- Do not overreach. Keep proper footing and balance at all times.** This enables better control of the power tool in unexpected situations.
- Dress properly. Do not wear loose clothing or jewellery. Keep your hair and clothing away from moving parts.** Loose clothes, jewellery or long hair can be caught in moving parts.
- If devices are provided for the connection of dust extraction and collection facilities, ensure these are connected and properly used.** Use of dust collection can reduce dust-related hazards.
- Do not let familiarity gained from frequent use of tools allow you to become complacent and ignore tool safety principles.** A careless action can cause severe injury within a fraction of a second.

**4. Power Tool Use And Care**

- a. **Do not force the power tool. Use the correct power tool for your application.** The correct power tool will do the job better and safer at the rate for which it was designed.
  - b. **Do not use the power tool if the switch does not turn it on and off.** Any power tool that cannot be controlled with the switch is dangerous and must be repaired.
  - c. **Disconnect the plug from the power source and/ or remove the battery pack, if detachable from the power tool before making any adjustments, changing accessories, or storing power tools.** Such preventive safety measures reduce the risk of starting the power tool accidentally.
  - d. **Store idle power tools out of the reach of children and do not allow persons unfamiliar with the power tool or these instructions to operate the power tool.** Power tools are dangerous in the hands of untrained users.
  - e. **Maintain power tools and accessories. Check for misalignment or binding of moving parts, breakage of parts and any other condition that may affect the power tool's operation. If damaged, have the power tool repaired before use.** Many accidents are caused by poorly maintained power tools.
  - f. **Keep cutting tools sharp and clean.** Properly maintained cutting tools with sharp cutting edges are less likely to bind and are easier to control.
  - g. **Use the power tool, accessories and tool bits etc. in accordance with these instructions, taking into account the working conditions and the work to be performed.** Use of the power tool for operations different from those intended could result in a hazardous situation.
  - h. **Keep handles and grasping surfaces dry, clean and free from oil and grease.** Slippery handles and grasping surfaces do not allow for safe handling and control of the tool in unexpected situations.
- 5. Service**
- a. **Have your power tool serviced by a qualified repair person using only identical replacement parts.** This will ensure that the safety of the power tool is maintained.

- c. Thoroughly remove all dust after sanding.
- d. Take special care when sanding paint which is possibly lead based or when sanding some woods and metal which may produce toxic dust:
  - Do not let children or pregnant women enter the work area.
  - Do not eat, drink or smoke in the work area.
  - Dispose of dust particles and any other debris safely.

**Additional Safety Information**



**WARNING:** We recommend the use of a residual current device with a residual current rating of 30mA or less.

**RESIDUAL RISKS**

In spite of the application of the relevant safety regulations and the implementation of safety devices, certain residual risks cannot be avoided. These are:

- Impairment of hearing
- Risk of personal injury due flying particles.
- Risk of burns due to accessories becoming hot during operation.
- Risk of personal injury due to prolonged use.
- Risk of dust from hazardous substances.

**ELECTRICAL SAFETY**

Only one voltage is applicable to this tool. Be sure to check that the power supply corresponds to the voltage on the rating plate.



Your Stanley tool is equipped with double insulation, hence, it does not require to be earthed.

When the power cord is damaged, have it sent to a STANLEY service center for replacement to specially prepared cables.

**USING AN EXTENSION CABLE**

If an extension cable is required, use an approved 3-core extension cable suitable for the power input of this tool (see **Technical Data**).The minimum conductor size is 1.5 mm<sup>2</sup>; the maximum length is 30 m.

When using a cable reel, always unwind the cable completely.

**ADDITIONAL SPECIFIC SAFETY RULES**



**WARNING! Safety Instructions for Sanders**

- a. **Hold power tools by insulated gripping surfaces, because the sanding surface may contact its own cord.** Cutting a "live" wire may make exposed metal parts of the power tool "live" and could give the operator an electric shock.
- b. **Warning!** Contact with or inhalation of dusts arising from sanding applications may endanger the health of the operator and possible bystanders. Wear a dust mask specifically designed for protection against dust and fumes and ensure that persons within or entering the work area are also protected.

**LABELS ON TOOL**

In addition to the pictographs used in this manual, the labels on the tool show the following pictographs:

	WARNING! To reduce the risk of injury, the user must read the instruction manual before use.
	Wear safety glasses or goggles.
	Wear ear protection.
	Wear a dust mask.

V	Volts		Direct Current
A	Amperes	$n_0$	No-Load Speed
Hz	Hertz		Class II Construction
W	Watts		Earthing Terminal
min	minutes		Safety Alert Symbol
	Alternating Current	/min.	Revolutions or Reciprocation per minute

### Date Code Position (Fig. B)

The Date Code, which also includes the year of manufacture, is printed into the housing.

Example:                   2018 XX XX  
                                  Year of Manufacture

### USING AN EXTENSION CABLE

If it is necessary to use an extension cable, please used an approved extension cable that fits the tool's power input specifications. The minimum cross-sectional area of the conducting wire is 1.5 sq. mm. Cables should be untangled before reeling up.

Cable cross-sectional area (mm <sup>2</sup> )	Cable rated current (Ampere)
0.75	6
1.00	10
1.50	15
2.50	20
4.00	25

Cable length (m)						
	7.5	15	25	30	45	60

Voltage	Amperes	Cable rated current (Ampere)					
115	0 - 2.0	6	6	6	6	6	10
	2.1 - 3.4	6	6	6	6	15	15
	3.5 - 5.0	6	6	10	15	20	20
	5.1 - 7.0	10	10	15	20	20	25
	7.1 - 12.0	15	15	20	25	25	-
230	12.1 - 20.0	20	20	25	-	-	-
	0 - 2.0	6	6	6	6	6	6
	2.1 - 3.4	6	6	6	6	6	6
	3.5 - 5.0	6	6	6	6	10	15
	5.1 - 7.0	10	10	10	10	15	15
7.1 - 12.0	15	15	15	15	20	20	
12.1 - 20.0	20	20	20	20	25	-	

### THE PACKAGE CONTAINS

- 1 1/4 Sander
- 1 Punch Plate
- 1 Dust Bag
- 1 Instruction manual
- 1 Warranty card
- 1 Service center list
- ◆ Check for damage to the tool, parts or accessories which may have occurred during transport.
- ◆ Take the time to thoroughly read and understand this manual prior to operation.

### Description (Fig. A)



**WARNING:** Never modify the power tool or any part of it. Damage or personal injury could result.

1. On/off switch
2. Dust Bag
3. Sanding Base
4. Paper clamp lever
5. Punch Plate
6. Dust Bag Collar
7. Dust extraction Outlet

### ASSEMBLY AND ADJUSTMENT



**WARNING:** To reduce the risk of serious personal injury, turn tool off and disconnect tool from power source before making any adjustments or removing/installing attachments or accessories. Before reconnecting the tool, depress and release the trigger switch to ensure that the tool is off. An accidental start-up can cause injury.

### Dust Extraction (Fig. B)

**WARNING:** Since woodworking with a sander produces dust, always install a dust bag designed in compliance with the applicable directives regarding dust emission.

**WARNING:** Do not use a dust bag or vacuum extractor without proper spark protection when sanding metal.

Your sander has a dust extraction methods: a built-in outlet (7) which allows either the supplied dust bag (2) or a shop vacuum system to be connected.

#### TO ATTACH THE DUST BAG

- ◆ While holding the sander, fit the dust bag collar(6) to the outlet (7) as shown in Figure C.
- ◆ Turn the collar (6) anticlockwise to lock the dust bag (2) in place.

#### TO EMPTY THE DUST BAG

**NOTE:** Be sure to wear approved eye protection and approved dust mask when performing this procedure.

For efficient dust extraction, empty the dust collector when it is about one third full.

- ◆ While holding the sander, turn the collar (6) clockwise to unlock the dust bag (2).
- ◆ Remove dust bag from the sander and gently shake or tap the dust bag to empty.
- ◆ Reattach the dust bag back onto the outlet and lock into place by turning the dust bag collar clockwise.

**FITTING REGULAR SANDING SHEETS (FIG. C)**

**WARNING:** Make sure that the tool is switched off and unplugged.

- ◆ Soften the sanding sheet by rubbing its non-abrasive side over the edge of a worktop.
- ◆ Lift the paper clamp levers (4) upwards to release them from the retaining grooves and open the paper clamps (4) by pressing them down.
- ◆ Place the sheet onto the sanding base (3).
- ◆ Insert the edge of the sanding sheet into the front paper clamp (4) as shown.
- ◆ Lift the front paper clamp lever (4) upwards and locate it in the retaining groove.
- ◆ While keeping a slight tension on the sheet, insert the rear edge of the sheet into the rear paper clamp (4).
- ◆ Press the rear paper clamp lever (4) downwards and locate it in the retaining groove.

**WHEN USING THE DUST BAG, USE A PUNCH PLATE AS PICTURE (FIG.D) SHOW. PUNCH HOLES ON THE SANDING PAPER.**

- ◆ Place the tool upside down.
- ◆ Place the punch plate on the sanding paper to make the punch plate front side is corresponding to the tool forward, the correct place please see ( FIG.D).
- ◆ Then press the punch plate to punch holes on the sanding paper.

**WARNING:** Be sure to remove the punch plate before operating the tool.

**USE**



**WARNING:** Let the tool work at its own pace. Do not overload.

**Switching on and off**

- ◆ To switch the tool on, press the on/off switch (1) to the "I" place, see (FIG.A)
- ◆ To switch the tool off press the on/off switch to the "0" place, see (FIG.A)

**◆ Hints for optimum use (Figure. E)**

- ◆ Do not exert too much pressure on the tool.
- ◆ Regularly check the condition of the sanding paper.
- ◆ Replace when necessary.
- ◆ It is better to sand along the grain of the wood.
- ◆ When sanding new layers of paint before applying another layer, use extra fine grit.
- ◆ On very uneven surfaces, or when removing layers of paint, start with a coarse grit. On other surfaces, start

with a medium grit. In both cases, gradually change to a fine grit for a smooth finish.

- ◆ Consult your retailer for more information on available accessories.

**Residual risks**

Additional residual risks may arise when using the tool which may not be included in the enclosed safety warnings. These risks can arise from misuse, prolonged use etc.

Even with the application of the relevant safety regulations and the implementation of safety devices, certain residual risks can not be avoided. These include:

- ◆ Injuries caused by touching any rotating/moving parts.
- ◆ Injuries caused when changing any parts, blades or accessories.
- ◆ Injuries caused by prolonged use of a tool. When using any tool for prolonged periods ensure you take regular breaks.
- ◆ Impairment of hearing.
- ◆ Health hazards caused by breathing dust developed when using your tool (example:- working with wood, especially oak, beech and MDF.)

**MAINTENANCE**

Your STANLEY power tool has been designed to operate over a long period of time with a minimum of maintenance. Continuous satisfactory operation depends upon proper tool care and regular cleaning.

- ◆ Regularly clean the ventilation slots in your tool using a soft brush or dry cloth.
- ◆ Regularly clean the motor housing using a damp cloth. Do not use any abrasive or solvent-based cleaner. This machine is not user-serviceable. If problems occur contact an authorised repair agent.



**Lubrication**

Your power tool requires no additional lubrication.



**Cleaning**



**WARNING:** Blow dirt and dust out of the main housing with dry air as often as dirt is seen collecting in and around the air vents. Wear approved eye protection and approved dust mask when performing this procedure.



**WARNING:** Never use solvents or other harsh chemicals for cleaning the non-metallic parts of the tool. These chemicals may weaken the materials used in these parts. Use a cloth dampened only with water and mild soap. Never let any liquid get inside the tool; never immerse any part of the tool into a liquid.

To maintain products SAFETY and RELIABILITY, repair, carbon brush inspection and replacement, any other maintenance or adjustment should be performed by STANLEY Service Centers, always using Stanley replacement parts.



## OPTIONAL ACCESSORIES



**WARNING:** Since accessories, other than those offered by STANLEY, have not been tested with this product, use of such accessories with this tool could be hazardous. To reduce the risk of injury, only STANLEY recommended accessories should be used with this product. Consult your dealer for further information on the appropriate accessories.

## PROTECTING THE ENVIRONMENT



Separate collection. This product must not be disposed of with normal household waste.

Should you find one day that your STANLEY product needs replacement, or if it is of no further use to you, do not dispose of it with household waste. Please sort it out for separate recycling.



Separate collection of used products and packaging allows materials to be recycled and used again. Re-use of recycled materials helps prevent environmental pollution and reduces the demand for raw materials.

## NOTES

STANLEY's policy is one of continuous improvement to our products and as such, we reserve the right to change product specifications without prior notice.

Standard equipment and accessories may vary by country.

Product specifications may differ by country.

Complete product range may not be available in all countries. Contact your local STANLEY dealers for range availability.

## SERVICE INFORMATION

STANLEY offers a full network of company-owned and/or authorized service agents throughout your country. All STANLEY Service Centers are staffed with trained personnel to provide customers with efficient and reliable power tool service. Whether you need technical advice, repair, or genuine factory replacement parts, contact the STANLEY location nearest to you.

## TECHNICAL DATA

1/4 SHEET SANDER		SS24			
Voltage	$V_{AC}$	B1/XD	KR	A9	TW
		220-240	220	220	110
Frequency	Hz	50-60	60	50	60
Power input	W	240			
Orbits(no load)	$\text{min}^{-1}$	16000			
Sanding base surface	mm	110x104			
Weight	kg	1.1			

## 设计用途

您的 STANLEY 1/4 方形砂光机 SS24 设计用于对木料、金属、塑料和涂漆表面进行砂光。本工具可供专业使用。

## 安全说明

下列定义描述了各警示词的严重程度。请仔细阅读本手册，并注意这些标志。



**危险：**表示存在紧急危险情况，如果不加以避免，将导致死亡或严重伤害。



**警告：**表示存在潜在的危險情况，如果不加以避免，可能导致死亡或严重伤害。



**警告：**表示存在潜在危险情况，如果不加以避免，可能导致轻度或中度伤害。

**注意：**表示存在不涉及人身伤害的情况，如果不加以避免，可能导致财产损失。



表示存在触电风险。



表示存在火灾风险。



**警告：**为降低伤害风险，请阅读本说明手册。

## 电动工具通用安全警告



**警告！**阅读随电动工具提供的所有安全警告、说明、图示和规定。不遵照以下所列说明会导致电击、着火和/或严重伤害。

## 保存所有警告和说明书以备查阅。

警告中的术语“电动工具”指市电驱动（有线）电动工具或电池驱动（无线）电动工具。

## a) 工作场地的安全

- 1) 保持工作场地清洁和明亮。杂乱和黑暗的场地会引发事故。
- 2) 不要在易爆环境，如有易燃液体、气体或粉尘的环境下操作电动工具。电动工具产生的火花会点燃粉尘或气体。
- 3) 操作电动工具时，远离儿童和旁观者。注意力不集中会使你失去对工具的控制。

## b) 电气安全

- 1) 电动工具插头必须与插座相配。绝不能以任何方式改装插头。需接地的电动工具不能使用任何转换插头。未经改装的插头和相配的插座将降低电击风险。
- 2) 避免人体接触接地表面，如管道、散热片和冰箱。如果你身体接触接地表面会增加电击风险。
- 3) 不得将电动工具暴露在雨中或潮湿环境中。水进入电动工具将增加电击风险。
- 4) 不得滥用软线。绝不能用软线搬运、拉动电动工具或拔出其插头。使软线远离热源、油、锐边或运动部件。受损或缠绕的软线会增加电击风险。

- 5) 当在户外使用电动工具时，使用适合户外使用的延长线。适合户外使用的电线将降低电击风险。
- 6) 如果无法避免在潮湿环境下操作电动工具，应使用带有剩余电流装置（RCD）保护的电源。RCD的使用可降低电击风险。

## c) 人身安全

- 1) 保持警觉，当操作电动工具时关注所从事的操作并保持清醒。当你感到疲倦，或在有药物、酒精或治疗反应时，不要操作电动工具。在操作电动工具时瞬间的疏忽会导致严重人身伤害。
- 2) 使用个人防护装置。始终佩戴护目镜。防护装置，诸如适当条件下使用防尘面具、防滑安全鞋、安全帽、听力防护等装置能减少人身伤害。
- 3) 防止意外启动。在连接电源和/或电池盒、拿起或搬运工具前确保开关处于关断位置。手指放在开关上搬运工具或开关处于接通时通电会导致危险。
- 4) 在电动工具接通之前，拿掉所有调节钥匙或扳手。遗留在电动工具旋转零件上的扳手或钥匙会导致人身伤害。
- 5) 手不要过分伸展。时刻注意立足点和身体平衡。这样能在意外情况下能更好地控制住电动工具。
- 6) 着装适当。不要穿宽松衣服或佩戴饰品。让你的头发和衣服远离运动部件。宽松衣服、配饰或长发可能会卷入运动部件。
- 7) 如果提供了与排屑、集尘设备连接用的装置，要确保其连接完好且使用得当。使用集尘装置可降低尘屑引起的危险。
- 8) 不要因为频繁使用工具而产生的熟悉感而掉以轻心，忽视工具的安全准则。某个粗心的动作可能在瞬间导致严重的伤害。

## d) 电动工具使用和注意事项

- 1) 不要勉强使用电动工具，根据用途使用合适的电动工具。选用合适的按照额定值设计的电动工具会使你工作更有效、更安全。
- 2) 如果开关不能接通或关断电源，则不能使用该电动工具。不能通过开关来控制的电动工具是危险的且必须进行修理。
- 3) 在进行任何调节、更换附件或贮存电动工具之前，必须从电源上拔掉插头和/或卸下电池包（如可拆卸）。这种防护性的安全措施降低了电动工具意外起动的风险。
- 4) 将闲置不用的电动工具贮存在儿童所及范围之外，并且不允许不熟悉电动工具和不了解这些说明的人操作电动工具。电动工具在未经培训的使用者手中是危险的。
- 5) 维护电动工具及其附件。检查运动部件是否调整到位或卡住，检查零件破损情况和影响电动工具运行的其他状况。如有损坏，应在使用前修理好电动工具。许多事故是由维护不良的电动工具引发的。
- 6) 保持切削刀具锋利和清洁。维护良好地有锋利切削刃的刀具不易卡住而且容易控制。
- 7) 按照使用说明，并考虑作业条件和要进行的作业来选择电动工具、附件和工具的刀头等。将电动工具用于那些与其用途不符的操作可能会导致危险情况。

- 8) 保持手柄和握持表面干燥、清洁，不得沾有油脂。在意外的情况下，湿滑的手柄不能保证握持的安全和对工具的控制。

### e) 维修

让专业维修人员使用相同的备件维修电动工具。这将保证所维修的电动工具的安全。

## 附加安全细则



### 警告！砂光机的安全说明

- 握住工具的绝缘表面，因为砂光机表面可能会触及自身电源线。切割“带电”导线可能使电动工具外露的金属部件带电，从而导致操作人员触电。
- 警告！** 接触或吸入砂光应用产生的灰尘可能会危害操作人员以及旁观者的健康。应佩戴专用于防护粉尘和烟雾的防尘面具，并确保工作场所内或进入工作场所的人员也受到保护。
- 砂光后请彻底去除所有粉尘。
- 打磨可能含有铅的油漆或可能会产生有毒粉尘的木材和金属时，请特别注意：
  - 请勿让儿童或孕妇进入工作场所。
  - 请勿在工作场所内饮食或抽烟。
  - 以安全的方式处理粉尘颗粒和任何其他碎屑。

## 附加安全信息



**警告：** 我们建议使用漏电保护额定电流为 30 毫安或以下的漏电保护装置。

## 剩余风险

尽管遵守了相关的安全法规并采用了安全装备，某些剩余风险仍然是无法避免的。这些风险包括：

- 听力损伤
- 飞散颗粒造成的人身伤害风险。
- 操作过程中附件加热而产生的烧伤风险。
- 长时间使用引起的人身伤害风险。
- 有害物质粉尘引起的风险。

## 电气安全

只有一种电压适用于本工具。请务必检查电源电压是否与铭牌上的电压一致。



本 Stanley 工具配备双重绝缘功能，因此不需要接地。

若电源线受损，请将其送到 STANLEY 服务中心，以更换特制的电源线。

## 使用延长线

如需使用延长电缆，请使用与本工具的输入功率（见**技术参数**）匹配的经验 3 芯延长线。最小导体尺寸为 1.5 平方毫米，最大长度为 30 米。

使用电缆卷筒时，请务必拉出所有的电缆。

## 工具上的标签

除了在本手册中所使用的标志，工具上的标签还包括以下标志：

	警告！为降低伤害风险，用户必须在使用前阅读说明手册。
	请务必佩戴安全眼镜或护目镜。
	请佩戴听力保护器。
	请佩戴防尘面罩。

V	伏特	===	直流电
A	安培	n <sub>0</sub>	空载转速
Hz	赫兹	□	II 级结构
W	瓦特	⊕	接地终端
min	分钟	⚠	安全警告标识
~	交流电	/min.	每分钟旋转或往复次数

## 日期码位置 (图 B)

包含制造年份的日期码打印在工具机壳内。

示例： 2018 XX XX  
制造年份

## 使用延长线

如果需要使用延长线，请使用与此工具输入功率规格相匹配的经认证延长线。导线的最小横截面积为 1.5 平方毫米。在卷起线缆之前，应清理线缆，避免缠绕。

线缆横截面积 (平方毫米)	线缆额定电流 (安培)
0.75	6
1.00	10
1.50	15
2.50	20
4.00	25

线缆长度 (米)						
	7.5	15	25	30	45	60

电压	安培	线缆额定电流 (安培)					
115	0 - 2.0	6	6	6	6	6	10
	2.1 - 3.4	6	6	6	6	15	15
	3.5 - 5.0	6	6	10	15	20	20
	5.1 - 7.0	10	10	15	20	20	25
	7.1 - 12.0	15	15	20	25	25	-
230	12.1 - 20.0	20	20	25	-	-	-
	0 - 2.0	6	6	6	6	6	6
	2.1 - 3.4	6	6	6	6	6	6
	3.5 - 5.0	6	6	6	6	10	15
	5.1 - 7.0	10	10	10	10	15	15
	7.1 - 12.0	15	15	15	15	20	20
	12.1 - 20.0	20	20	20	20	25	-

### 包装内的物品包括

- 1 只 1/4 砂光机
- 1 个打孔板
- 1 个集尘袋
- 1 本使用手册
- 1 张保修卡
- 1 份服务中心列表
- ◆ 检查工具、部件或配件是否在运输过程中损坏。
- ◆ 操作前，请抽空仔细阅读并掌握本手册。

### 说明 (图 A)



警告：切勿改装本电动工具或其任何部件，否则可能会导致损坏或人身伤害。

1. 开关
2. 集尘袋
3. 砂光底座
4. 纸夹杆
5. 打孔板
6. 集尘袋轴环
7. 集尘出口

### 组装与调整



警告：为降低严重的人身伤害风险，在进行任何调整或取出/安装附件或配件之前，请关闭工具电源和断开工具电源连接。重新连接工具之前，请按下并松开触发开关以确保工具已关闭。意外启动可能会导致人身伤害。

### 集尘 (图 B)

警告：由于在木工中使用砂光机会生成粉尘，务必根据粉尘排出情况按照适用说明安装集尘袋。

警告：如果在砂光金属时没有使用合适的火花防护装备，请勿使用集尘袋或真空吸尘器。

本砂光机采用两种粉尘吸取方法：可连接随附的集尘袋 (2) 或商店出售的真空系统的内置出口 (7)。

#### 安装集尘袋

- ◆ 握住砂光机，将集尘袋轴环 (6) 安装到出口 (7) 上，如图 C 所示。
- ◆ 按逆时针方向旋转轴环 (6)，将集尘袋 (2) 锁定到位。

#### 清空集尘袋

注：执行此过程时，务必戴上经认可的护目装备和防尘面具。

为了高效集尘，请在粉尘量达到三分之一时清空集尘袋。

- ◆ 握住砂光机时，按顺时针方向旋转轴环 (6) 以解锁集尘袋 (2)。
- ◆ 从砂光机上移除集尘袋，然后轻抖或轻拍集尘袋以将其清空。
- ◆ 将集尘袋重新安装到出口上，按顺时针方向旋转集尘袋轴环，将其锁定到位。

#### 安装普通砂纸 (图 C)

警告：请确保关闭工具电源并拔下工具插头。

- ◆ 通过将砂纸的非研磨面在工作台边缘上摩擦来软化砂纸。
- ◆ 向上提起纸夹杆 (4) 以将其从固定槽中释放出来，然后向下按压以打开纸夹 (4)。
- ◆ 将砂纸放在砂光底座 (3) 上。
- ◆ 如图所示，将砂纸的边缘插入前纸夹 (4)。
- ◆ 向上提起前纸夹杆 (4) 并将其放入固定槽中。
- ◆ 一边对砂纸轻微施压，一边将砂纸的后边缘插入后纸夹 (4)。
- ◆ 将后纸夹杆 (4) 向下按并将其放入固定槽中。

使用防尘袋时，请使用打孔板，如图 (图 D) 所示。在砂纸上打孔。

- ◆ 将工具倒放。
- ◆ 将打孔板放在砂纸上，使打孔板前端对应工具前方，正确位置请参见 (图 D)。
- ◆ 然后按压打孔板，在砂纸上打孔。

警告：在操作工具之前，请务必移除打孔板。

### 使用方法



警告：请让工具在自有速度下工作。请勿过载。

#### 开启和关闭

- ◆ 要打开工具电源，请将开关 (1) 按下至“1”位置，参见 (图 A)
- ◆ 要关闭工具电源，请将开关按下至“0”位置，参见 (图 A)

## 最佳使用提示 (图 E)

- ◆ 请勿对工具施加过多压力。
- ◆ 定期检查砂纸的状况。
- ◆ 必要时更换。
- ◆ 沿木材纹理打磨能获得更好的效果。
- ◆ 在另刷一层油漆前砂光新油漆层时, 请使用超细砂粒。
- ◆ 在坑坑洼洼的表面, 或者去除油漆层时, 请先使用粗砂石。在其他表面, 请先使用中等砂石。在两种情况下, 都需要逐步更换为细砂石以使表面光滑。
- ◆ 有关可用配件的详细信息, 请咨询零售商。

## 剩余风险

使用工具时, 可能出现本安全警示之外的其他剩余风险。这些风险可能来自使用不当、使用时间过长。

尽管遵守了相关的安全法规并采用了安全装备, 某些剩余风险仍然是无法避免的。这些风险包括:

- ◆ 接触旋转/运动部件时所导致的伤害风险。
- ◆ 更换部件、锯片或配件时所导致的伤害风险。
- ◆ 长期使用工具所导致的伤害风险。长期使用任何工具时, 均应定期休息。
- ◆ 听力损伤。
- ◆ 吸入工具使用过程中产生的粉尘导致的健康危害 (例如, 锯切木材, 特别是橡木、山毛榉和中密度纤维板时)。

## 维护

本 STANLEY 电动工具设计精良, 可以长时间使用, 只需极少的维护。要连续获得令人满意的工作效果, 需要进行合适的工具维护和定期清洁。

- ◆ 定期使用软刷或干布清洁工具内的通风槽。
- ◆ 定期使用湿布清洁电动机外壳。请勿使用任何研磨性或基于溶剂的清洁剂。本工具不允许用户自行维修。如果发生问题, 请联系授权维修代理。



### 润滑

本电动工具无需另行润滑。



### 清洁

**警告:** 一旦看到通风口及其周围积聚了尘屑, 请用干燥的空气将灰尘和尘屑从主机外壳内吹出。执行此过程时, 需戴上经认可的护目装备和防尘面具。



**警告:** 请勿使用溶剂或其它刺激性化学制品来清洁工具的非金属部件。这些化学物质可能会削弱这些部位使用的材料。请用布蘸温和的肥皂水擦拭。切勿让任何液体渗入工具, 切勿让工具的任何部件浸在液体中。

为保持产品安全可靠, 维修、碳刷检查和更换以及其他任何维护或调整操作, 均应由 STANLEY 服务中心执行, 并务必使用 Stanley 替换部件进行更换。

## 可选配件



**警告:** 除了 STANLEY 提供的配件之外, 其他配件都未经此产品兼容性测试, 如果将此类配件与本工具一起使用将存在安全隐患。为降低伤害风险, 本产品仅应使用 STANLEY 推荐的配件。

请向您的经销商咨询更多关于合适配件的信息。

## 保护环境



分类回收。本产品不得与普通家庭垃圾一起处理。

如果您发现您的 STANLEY 产品需要更换或您已经不再需要使用这些产品, 请不要将它们与家庭垃圾一起处理。请将其分类, 以便分类回收。



分类回收使用过的产品和包装能够让材料得以再循环和再利用。再生材料的再利用有助于防止环境污染, 并降低对原材料的需求。

## 备注

STANLEY 的政策是持续改进我们的产品, 因此, 我们保留随时更改产品规格的权利, 恕不另行通知。

标准设备和附件可能会因国家 (地区) 而异。

不同国家 (地区) 的产品规格也可能会有所不同。

并非所有的国家 (地区) 都可提供完整的产品系列。有关各产品系列的供货情况, 请联系您当地的 STANLEY 经销商。

## 服务信息

STANLEY 提供覆盖您所在国家的公司隶属和/或授权服务点。所有 STANLEY 服务中心都具有训练有素的人员, 为客户提供高效和可靠的电动工具服务。不论您是需要技术建议、维修还是原厂替换部件, 都可以联系最靠近您的 STANLEY 服务点。

## 技术参数

1/4 方形砂光机		SS24			
电压	伏特 <sub>交流</sub>	B1/XD	KR	A9	TW
		220~240	220	220	110
频率	赫兹	50-60	60	50	60
输入功率	瓦	240			
偏摆 (空载)	转/分	16000			
砂光底座表面	毫米	110x104			
重量	千克	1.1			

制造商: 史丹利五金工具(上海)有限公司

制造商地址: 中国 (上海) 自由贸易试验区美盛路263号

产地: 江苏启东

## 設計用途

您的 STANLEY 砂磨機 SS24 設計用於對木材、金屬、塑料和塗漆表面進行砂磨。本工具僅供專業用途。

## 安全說明

以下定義描述了每一個詞彙的嚴厲程度。請閱讀手冊並注意這些符號。



**危險：**表示緊急危險狀況，若未能避免，將導致死亡或嚴重傷害。



**警告：**表示潛在危險情況，若未能避免，可能導致死亡或嚴重傷害。



**小心：**表示潛在危險情況，若未能避免，可能導致輕微或中度傷害。

**注意：**表示非人身傷害的行為，若未能避免，可能導致財產損失。



表示觸電危險。



表示火災危險。



**警告：**為了降低受傷的風險，請閱讀使用手冊。

## 電動工具一般安全警告



**警告！**請閱讀本電動工具隨附的所有安全警告、指示、圖示和規格。不遵循下列的所有指示可能會導致觸電、火災及/或嚴重傷害。

## 請妥善保存所有警告與指示以備將來查閱

警告中的名詞「電動工具」是指電源驅動（插電）電動工具，或者電池驅動（充電）電動工具。

## 1. 工作場地安全

- 保持工作場地清潔和明亮。混亂或黑暗的場地會引發事故。
- 請勿在易爆環境，如有易燃液體、氣體或粉塵的環境中操作電動工具。電動工具產生的火花可能會引燃粉塵或煙霧。
- 請等待兒童和旁觀者離開之後才操縱電動工具。分心會導致您疏於控制。

## 2. 電氣安全

- 電動工具插頭必須與插座相符。切勿以任何方式改裝插頭。需接地的電動工具不能使用任何配接器插頭。使用未經改裝的插頭與相符的插座可降低觸電風險。
- 避免人體接觸接地表面，如管道、散熱片、爐灶和製冷機。若您的身體接地，會增加觸電危險。
- 請勿將電動工具暴露在雨中或潮濕環境中。水進入電動工具會增加觸電危險。

- 請勿濫用電線。請勿使用電線來搬運、拉動電動工具或拔出插頭。讓電線遠離熱、油、銳邊和活動部件。受損或纏繞的電線會增加觸電危險。
- 若要在戶外使用電動工具，請使用適合戶外使用的延長電線。使用適合戶外使用的電線可減少觸電危險。
- 若必須在潮濕場合使用電動工具，請使用漏電保護器 (RCD)。使用 RCD 可降低觸電風險。

## 3. 人身安全

- 保持警覺；在操作電動工具時，請留意所執行的操作並按照一般的常識執行。請勿在疲倦或在受到毒品、酒精或藥物的影響時使用電動工具。操作電動工具時，一時的注意力分散可能會導致嚴重人身傷害。
- 使用個人防護裝置。始終佩戴護目裝置。防護裝置，例如在適當條件下使用的防護面具、防滑安全鞋、安全帽或聽力保護等裝置可減少人身傷害。
- 避免意外啟動。連接電源及/或電池組、舉抬或搬運電動工具之前，請確定開關處於關閉位置。若搬運電動工具時將手指放在開關上，或者在電動工具開關開啟時將插頭插入電源插座，這兩種行為都會引發事故。
- 啟動電動工具之前，請卸下所有的調整鑰匙或扳手。電動工具旋轉部件上遺留的扳手或鑰匙可能會導致人身傷害。
- 請勿過度伸張雙手。時刻注意腳下與身體的平衡。如此可在意外情況下更好地控制電動工具。
- 適當穿著。請勿穿寬鬆衣服或佩戴飾品。讓頭髮、衣服和手套遠離活動部件。寬鬆衣服、飾物或長髮可能會捲入活動部件中。
- 若配備用於連接排屑裝置和集塵設備的裝置，請確定正確連接和使用這些裝置。使用集塵設備可減少與粉塵有關的危險。
- 請勿因頻繁使用而對工具特別熟悉，讓您變得自滿而忽略工具的安全原則。粗心操作可以在片刻間造成嚴重傷害。

## 4. 電動工具的使用與注意事項

- 請勿超負荷使用電動工具。請根據您的應用使用正確的電動工具。若使用的電動工具正確無誤，該工具能以設計額定值更有效、更安全地執行工作。
- 若開關不能開啟或關閉電源，請勿使用該電動工具。若開關無法控制電動工具，則電動工具存在危險，必須予以維修。
- 在執行任何調整、更換配件或儲存電動工具之前，必須從電源上拔掉插頭及/或卸下電池組（若可卸下）。這類防護性措施可降低電動工具意外啟動的風險。
- 將閒置的電動工具儲存在兒童無法接觸的地方，並且不要讓不熟悉電動工具或對這些使用指示不瞭解的人員操作電動工具。未經訓練的使用者操作電動工具會發生危險。
- 維護工具與配件。檢查活動部件是否對準或卡住、破損情況以及是否存在影響電動工具運行的其他情況。若有損毀，必須在使用之前修理電動工具。許多事故都是由於電動工具欠缺維護所導致。
- 保持切削工具鋒利和清潔。妥善維護、刀刃鋒利的刀具卡住的可能性更低，更易于控制。



- g. 使用電動工具、配件和工具刀頭等時，請遵循這些指示使用，且指示須包含工作環境和所要執行工作的注意事項。不按照設計目的使用電動工具會導致危險。
- h. 保持手柄及抓握表面乾燥、清潔、無油脂。光滑手柄和抓握表面不便於在意外情況下對工具進行安全處理與控制。
5. 檢修
- a. 本電動工具必須由合格的維修人員並只採用相同的替換零件來執行檢修。這樣將確保電動工具的安全。

### 附加特殊安全規則



#### 警告！砂磨機之安全指示

- a. 請從絕緣手柄表面握住電動工具，因為砂磨表面可能會接觸到它本身的電線。若切削到「帶電」導線，電動工具金屬部件表面就會「帶電」，從而導致操作人員觸電。
- b. 警告！接觸或吸入砂磨應用所產生的粉塵會危及操作人員及可能出現的旁觀者的健康。請佩戴專為防範粉塵及煙霧而設計防塵面具，並確保工作場地內或進入工作場地的人亦受到保護。
- c. 在執行砂磨操作後徹底清除所有粉塵。
- d. 砂磨鉛底的漆面或某些木材以及會產生有毒粉塵的金屬時要特別小心：
- 請勿讓兒童或孕婦進入工作區。
  - 請勿在工作區飲食或吸菸。
  - 請以安全方式清理粉塵顆粒和任何其他碎片。

### 附加安全資訊



警告：建議使用漏電額定值不超過 30 毫安的漏電保護器。

### 剩餘風險

即使應用有關的安全規定並採用安全設備，仍然還有一些無法避免的剩餘風險。危險包括：

- 聽力受損。
- 飛散的碎片引起的人身傷害風險。
- 操作過程中配件變熱引起的灼傷風險。
- 長時間使用引起的人身傷害風險。
- 危害物質粉塵引起的風險。

### 電氣安全

本工具只適用一種電壓。請務必檢查電源電壓是否與銘牌一致。



本 Stanley 工具配有雙重絕緣，因此無需接地線。

如果電源線損毀，請將其送至 STANLEY 維修中心更換特製的電源線。

### 使用延長電纜

若需要使用延長電纜，請使用適合本工具功率輸入的認證 3 芯延長電纜（請參閱技術資料）。導體的最小橫截面積為 1.5 平方公釐；最大長度為 30 米。

使用電纜捲筒時，每次必須把電纜完全展開。

### 工具上的標籤

除了本手冊的圖示之外，工具上的標籤包含以下圖示：

	警告！為了降低受傷的風險，使用者在使用前必須仔細閱讀使用手冊。
	請佩戴安全防護眼鏡或護目鏡。
	請佩戴聽力保護器。
	請佩戴防塵面具。

V	伏特	—	直流電
A	安培	$n_0$	空載轉速
Hz	赫茲		II 級結構
W	瓦特		接地終端
min	分鐘		安全警告符號
	交流電	/min.	每分鐘旋轉或往復次數

### 日期代碼位置 (圖 B)

日期代碼亦包括製造年份，已印刷在工具外殼上。

範例： 2018 XX XX  
製造年份

### 使用延長電纜

若需要使用延長電源線，請使用適合本工具電源輸入規格且經核准的延長電源線。導線的最小橫截面積為 1.5 平方毫米。卷起電源線時請確保線纜無纏繞。

電源線橫截面積 (mm <sup>2</sup> )	電源線額定電流 (安培)
0.75	6
1.00	10
1.50	15
2.50	20
4.00	25

纜線長度(米)					
	7.5	15	25	30	60

電壓	安培	電源線額定電流 (安培)					
110-127	0 - 2.0	6	6	6	6	6	10
	2.1 - 3.4	6	6	6	6	15	15
	3.5 - 5.0	6	6	10	15	20	20
	5.1 - 7.0	10	10	15	20	20	25
	7.1 - 12.0	15	15	20	25	25	-
230	12.1 - 20.0	20	20	25	-	-	-
	0 - 2.0	6	6	6	6	6	6
	2.1 - 3.4	6	6	6	6	6	6
	3.5 - 5.0	6	6	6	6	10	15
	5.1 - 7.0	10	10	10	10	15	15
	7.1 - 12.0	15	15	15	15	20	20
	12.1 - 20.0	20	20	20	20	25	-

### 本套裝包括

- 1 個 1/4 砂磨機
- 1 個打洞板
- 1 個集塵袋
- 1 本使用手冊
- 1 張保固卡
- 1 份維修中心清單
- ◆ 檢查工具、部件或配件有否在運送途中損壞。
- ◆ 操作前，請抽空徹底地閱讀和掌握本手冊的內容。

### 說明 (圖 A)



警告：請勿改動本電動工具或其任何部件，否則可能會導致損壞或人身傷害。

1. 電源開關
2. 集塵袋
3. 砂磨底座
4. 紙夾具桿
5. 打洞板
6. 集塵袋調整環
7. 集塵口

### 組裝和調整



警告：為了降低造成嚴重人身傷害的風險，在進行任何調整或卸下或安裝附件或配件之前，切記關閉工具並斷開工具電源。重新連接工具之前，請按下並鬆開觸發開關以確保工具已關閉。意外啟動工具可能會造成傷害。

### 集塵 (圖 B)

警告：因為在木工活中使用砂磨機會產生粉塵，請務必根據粉塵排放相關的適用指令安裝集塵袋。

警告：對金屬砂光時，請勿使用無適當火花防護裝置的集塵袋或真空吸塵器。

本砂磨機的集塵方法：使用內建集塵口 (7)，可以連接隨附的集塵袋 (2) 或車間真空系統。

#### 安裝集塵袋

- ◆ 在握住砂磨機的同時，將集塵袋調整環 (6) 安裝到集塵口 (7) 上，如圖 C 所示。
- ◆ 逆時針方向旋轉調整環 (6)，將集塵袋 (2) 鎖定到位。

#### 清空集塵袋

註：執行此步驟時，確保佩戴經認可的護目裝備及防塵面罩。

為了高效集塵，請在集塵器大約三分之一滿時清空集塵器。

- ◆ 在握住砂磨機的同時，順時針方向旋轉調整環 (6) 以解鎖集塵袋 (2)。
- ◆ 從砂磨機上取下集塵袋，然後輕抖或輕拍集塵袋以將其清空。
- ◆ 將集塵袋裝回到出口上，順時針方向旋轉集塵袋調整環，將其鎖定到位。

#### 安裝常規砂紙 (圖 C)

警告：請確定已關閉工具電源並拔出插頭。

- ◆ 在工作檯邊緣摩擦砂紙的非研磨面，以將其軟化。
- ◆ 將紙夾具桿 (4) 向上拉，使其脫離固定槽，然後將其向下按緊以打開紙夾具 (4)。
- ◆ 將砂紙放置在砂磨底座 (3) 上。
- ◆ 如圖所示，將砂紙邊緣插入前紙夾具 (4)。
- ◆ 將前紙夾具桿 (4) 向上拉，並將其放入固定槽中。
- ◆ 輕輕按壓砂紙的同時，將砂紙的後邊緣插入後紙夾具 (4)。
- ◆ 向下按壓後紙夾具桿 (4)，並將其放入固定槽中。

使用集塵袋時，請使用打洞板，如圖 (圖 D) 所示。在砂紙上打洞。

- ◆ 將工具倒放。
- ◆ 將打洞板放在砂紙上，使打洞板的前側對應工具前方，正確位置請參見 (圖 D)。
- ◆ 然後按壓打洞板，以在砂紙上打洞。

警告：請確保在操作工具前移除打洞板。

### 使用



警告：請勿使工具超出本身之設計速度操作。請勿過載。

#### 開啟與關閉

- ◆ 若要開啟工具電源，請按下電源開關 (1) 至「1」位置，參見 (圖 A)。
- ◆ 若要關閉工具電源，請按下電源開關至「0」位置，參見 (圖 A)。



## 最佳使用提示 (圖 E)

- ◆ 不要對工具施加過大的壓力。
- ◆ 定期檢查砂紙的使用狀況。
- ◆ 必要時進行更換。
- ◆ 請沿木料的紋理進行砂磨。
- ◆ 請先使用特幼的砂紙砂磨新的油漆層，然後才塗上另一層油漆。
- ◆ 在非常不平坦的表面上，或者去除油漆時，從最粗的砂紙開始。在其他表面上，使用粗細適中的砂紙。請在砂磨的過程中逐漸轉為使用細砂紙，以保持表面的光潔度。
- ◆ 如需進一步瞭解可用配件的相關資訊，請洽詢當地零售商。

## 剩餘風險

使用本工具時，可能會出現隨附安全警告中所不包括的其他剩餘風險。誤用、長時間使用工具等因素會導致這些風險。即使遵循相關安全規定並採用安全裝置，仍然無法避免某些剩餘風險。此類風險包括：

- ◆ 接觸旋轉/活動部件引起的傷害。
- ◆ 更換任何部件、刀片或配件引起的傷害。
- ◆ 長時間使用工具引起的傷害。長時間使用任何工具時，請確保定期休息。
- ◆ 聽力受損。
- ◆ 吸入使用工具時產生的粉塵引起的健康危害（譬如：在木材上使用時，尤其是櫟木、山毛櫸和中密度纖維板 (MDF)）。

## 維護

本 STANLEY 電動工具採用卓越的設計，能夠長時間使用，並且只需最少的維護。若要持續獲得滿意的操作效果，需進行正確的工具維護和定期的清潔。

- ◆ 定期使用軟刷或幹布清潔工具內的通風槽。
- ◆ 定期使用濕布清潔電動機外殼。請勿使用任何研磨性或基於溶劑的清潔劑。此機器不可由使用者檢修。如果發生問題，請聯絡授權維修機構。



### 潤滑

本電動工具毋需額外潤滑。



### 清潔

**警告：**一旦通風口及其周圍積聚可見的粉塵，請立即使用乾燥的壓縮空氣吹掉主機外殼內的粉塵和灰塵。執行此步驟時，請佩戴經認可的護目裝備和防塵面罩。

**警告：**請勿使用溶劑或其他刺激性化學品來清潔工具的非金屬部件。這些化學品可能會削弱零件中使用的材料。只能使用抹布蘸中性肥皂水進行清潔。不要讓任何液體進入工具；不要讓工具的任何部分浸入液體中。

為了保持產品安全可靠，修理、碳刷檢查與更換及其他任何維護或調整作業應由 STANLEY 維修中心執行，並務必使用 Stanley 更換零件。

## 選購配件



**警告：**由於非 STANLEY 所提供的配件未在本產品上進行過使用測試，在本產品上使用這些配件可能會導致危險。為降低傷害風險，在本產品上只應使用 STANLEY 所推薦的配件。如需進一步瞭解適用配件的相關資訊，請洽詢當地代理商。

## 保護環境



分類收集。本產品必須與一般家庭廢物分開處置。若您發現您的 STANLEY 產品需要進行替換，或您已經不再需要使用這些產品，請不要將它們與家庭廢物一起處置。請將其分類以進行單獨回收。



分類收集用過的產品和包裝允許材料循環再生利用。重複使用回收的材料有助於防止環境污染，並降低對原材料的需求。

## 備註

STANLEY 的政策是持續改善我們的產品，因此，我們保留隨時變更產品規格的權利，恕不另行通知。

標準裝置和配件可能會根據不同的國家/地區而有所不同。產品規格可能會根據不同的國家而有所不同。

並非所有的國家/地區都將提供完整的產品系列。如需瞭解產品系列的供應情況，請聯絡您當地的 STANLEY 代理商。

## 維修資訊

STANLEY 提供覆蓋您所在國家的公司隸屬及/或授權服務點。所有的 STANLEY 維修中心都擁有訓練有素的人員，為客戶提供高效可靠的電動工具服務。不論您需要技術建議、修理服務還是原廠更換零件，只需聯絡最近的 STANLEY 服務點即可。

## 技術資料

砂磨機		SS24			
電壓	伏特 <sub>交流</sub>	B1/XD	KR	A9	TW
		220-240	220	220	110
頻率	赫茲	50-60	60	50	60
輸入功率	瓦特		240		
軌道 (無負載)	轉/分		16000		
砂磨底座的表面	公釐		110x104		
重量	kg		1.1		

進口商: 新加坡商百得電動工具 (股) 公司台灣分公司  
地址: 台北市士林區德行西路 33 號 2 樓  
電話: 02-28341741

總經銷商: 永安實業股份有限公司  
地址: 新北市三重區新北大道二段 137 號  
電話: 02-29994633

設備名稱：砂磨機

型號（型式）：SS24

Equipment name

Type designation (Type)

單元 Unit	限用物質及其化學符號 Restricted substances and its chemical symbols					
	鉛Lead (Pb)	汞Mercury (Hg)	鎘Cadmium (Cd)	六價鉻Hexava- lent chromium (Cr <sup>6+</sup> )	多溴聯苯 Polybrominated biphenyls (PBB)	多溴二苯醚 Polybrominated diphenyl ethers (PBDE)
外殼	○	○	○	○	○	○
馬達	○	○	○	○	○	○
電源線	○	○	○	○	○	○
電源開關	○	○	○	○	○	○
內部配線	○	○	○	○	○	○

備考1. “超出0.1 wt %”及“超出0.01 wt %”係指限用物質之百分比含量超出百分比含量基準值。

Note 1: “Exceeding 0.1 wt %” and “exceeding 0.01 wt %” indicate that the percentage content of the restricted substance exceeds the reference percentage value of presence condition.

備考2. “○”係指該項限用物質之百分比含量未超出百分比含量基準值。

Note 2: “○” indicates that the percentage content of the restricted substance does not exceed the percentage of reference value of presence.

備考3. “—”係指該項限用物質為排除項目。

Note 3: The “—” indicates that the restricted substance corresponds to the exemption.

## 용도

STANLEY 1/4 시트 샌더 SS24는 목재, 금속, 플라스틱 및 도장한 표면의 샌딩용으로 설계되었습니다. 본 공구는 전문가용입니다.

## 안전 지침

다음 정의는 각 경고 문구의 심각도를 설명합니다. 사용 설명서를 읽고 다음 기호들에 유의하십시오.



**위험:** 절박한 위험 상태를 나타내며, 방지하지 않으면 사망 또는 심각한 부상을 초래합니다.



**경고:** 잠재적 위험 상태를 나타내며, 방지하지 않으면 사망 또는 심각한 부상을 초래할 수 있습니다.



**주의:** 잠재적으로 위험한 상태를 나타내며, 방지하지 않으면 경미하거나 가벼운 부상을 초래할 수 있습니다.

**참고:** 신체 부상을 초래하지 않는 행위를 나타내며, 방지하지 않으면 재산상의 손해가 발생할 수 있습니다.



**감전 위험을 나타냅니다.**



**화재 위험을 나타냅니다.**



**경고:** 부상 위험을 줄이려면, 사용 설명서의 내용을 숙지하십시오.

## 전동 공구에 관한 일반 안전 경고



경고 이 전동 공구와 함께 제공되는 모든 안전 경고와 지시사항, 설명 및 사양을 읽으십시오.

아래 설명한 모든 지시 사항을 따르지 않으면 감전, 화재 및/또는 심각한 부상을 초래할 수 있습니다.

**항후 참고 할 수 있도록 본 사용자설명서를 잘 보관해두시기 바랍니다.**

경고에서 사용된 "전동 공구"라는 용어는 주 공급 전원에 의해 전기가 공급되는(유선) 전동 공구 또는 충전식(무선) 전동 공구를 의미합니다.

## 1. 작업장 안전

- 작업장을 항상 청결하고 밝게 유지하십시오. 혼잡하거나 어두운 작업장에서는 사고가 발생하기 쉽습니다.
- 가연성 액체, 가스 또는 먼지 등 폭발성 물질이 있는 공간에서는 전동공구 사용을 자제하십시오. 전동 공구에서 먼지나 가스를 발화시킬 수 있는 불꽃이 될 수 있습니다.
- 전동 공구로 작업하는 동안에는 어린이와 주변 사람들이 작업 영역에 가까이 들어오지 못하도록 하십시오. 주변이 산만해져 통제력을 잃을 수 있습니다.

## 2. 전기 안전

- 전동공구의 플러그는 콘센트와 형식이 일치해야 하며, 플러그를 어떤 형태로든 개조 하지 마십시오. 또한 접지된 전동공구에 다른 어댑터 플러그를 사용하지 마십시오. 개조되지 않은 플러그 및 형식이 일치하는 콘센트를 사용하면 감전 위험이 줄어듭니다.

- 파이프 관, 라디에이터, 렌지, 냉장고 등의 접지 표면에 물이 닿지 않도록 하십시오. 몸에 닿을 경우 감전이 될 위험이 높아집니다.
- 전동 공구를 비 또는 습한 환경에 노출하지 않도록 주의하십시오. 전동 공구에 물이 들어가면 감전 위험이 높아집니다.
- 코드를 함부로 다루지 마십시오. 코드를 사용하여 전동공구를 운반하거나, 코드를 과도하게 잡아당겨서 플러그를 뽑지 않도록 주의 하십시오. 전열코드가 열기 또는 오일과 접촉되는 것을 피하고, 날카로운 모서리 또는 기기의 기동 부위에 닿지 않도록 주의 하십시오. 코드가 손상되거나 얽혀 있으면 감전 위험이 높아집니다.
- 전동 공구를 실외에서 사용할 때는 실외 사용에 적합한 연장 코드를 사용하십시오. 실외 사용에 적합한 코드를 사용하면 감전 위험이 줄어듭니다.
- 전동공구를 습한 공간에서 사용할 경우, 반드시 누전차단기(RCD)를 사용하십시오. RCD를 사용하면 감전 위험이 줄어듭니다.

## 3. 신체 안전 사항

- 전동 공구로 작업할 때는 방심하지 말고 작업에 주의하면서 상식에 따르십시오. 피곤한 상태이거나 약물, 술, 치료제를 복용한 상태에서는 전동 공구를 사용하지 마십시오. 전동 공구를 사용하는 중에 주의력을 잃어 순간적으로 부상을 당할 수 있습니다.
- 신체 보호 장비를 착용하십시오. 항상 보안경을 착용하십시오. 적합한 상황에서 방진 마스크, 미끄럼 방지 안전화, 안전모 또는 청력 보호 기구 등의 보호 장비를 사용하면 신체 부상 위험이 줄어듭니다.
- 의도하지 않은 장비 가동 방지. 전원 및/또는 배터리 팩에 연결한 상태로 공구를 선택 또는 운반할 때는 사전에 스위치가 꺼진 위치에 있는지 반드시 확인하십시오. 스위치가 켜진 위치에 있는 상태에서 스위치에 손가락이 닿은 상태로 전동 공구를 운반하거나 전동 공구에 전원을 공급하면 사고가 발생할 수 있습니다.
- 전동 공구를 켜기 전에 모든 조정 키 또는 렌치를 제거하십시오. 전동 공구의 회전 부품에 렌치나 키가 부착되어 있으면 부상을 당할 수 있습니다.
- 전동공구를 사용할 땀 항상 올바른 자세로 서서 균형을 유지 하십시오. 안정된 자세로 작업을 할 경우 전동 공구를 안전하게 사용할 수 있습니다.
- 적절한 작업복을 착용합니다. 헐렁한 옷이나 장신구를 착용하지 마십시오. 머리카락과 옷이 움직이는 부품에 닿지 않도록 유의하십시오. 헐렁한 옷, 장신구 또는 긴 머리카락이 움직이는 부품에 걸 수 있습니다.
- 먼지 배출 및 집진 시설 연결을 위한 장치가 제공된 경우, 이를 장치가 연결되어 적절히 사용되고 있는지 반드시 확인하십시오. 집진 장치를 사용하면 먼지와 관련된 위험을 줄일 수 있습니다.
- 장치를 자주 사용함으로써 생긴 익숙함으로 인해 현실에 अनु하거나 공구 안전 원칙을 무시하지 않도록 하십시오. 부주의한 작동은 순식간에 심각한 부상을 야기할 수 있습니다.

## 4. 전동 공구 사용 및 관리

- 전동 공구에 무리한 힘을 가하지 마십시오. 해당 용도에 맞는 올바른 전동 공구를 사용하십시오. 올바른 전동

공구를 사용해야 설계된 속도로 작업을 더욱 안전하고 정확하게 수행할 수 있습니다.

- b. **커지지 않거나 꺼지지 않는 경우 전동 공구를 사용하지 마십시오.** 스위치가 제어되지 않는 전동 공구는 위험하므로 수리해야 합니다.
- c. **전동 공구를 조정하거나 액세서리를 변경하거나 보관하기 전에 전동 공구에서 분리되는 경우 전원에서 플러그를 뽑거나 또는 배터리 팩을 분리하십시오.** 이러한 예방적 안전 조치를 따라야 전동 공구가 갑자기 작동할 위험이 줄어듭니다.
- d. **사용하지 않는 전동 공구는 어린이의 손이 닿지 않는 곳에 보관하고, 전동 공구나 본 지시 사항에 익숙하지 않은 사람이 전동 공구를 절대 사용하지 못하게 하십시오.** 전동공구에 대한 훈련을 받지 않은 사용자가 전동공구를 함부로 다룰 경우 예기치 않은 사고를 초래 할 수 있습니다.
- e. **전동 공구 및 액세서리 유지 보수. 움직이는 부품의 잘못된 정렬이나 바인딩, 부품 파손 및 기타 전동 공구의 작동에 영향을 미칠 수 있는 기타 모든 상태를 확인하십시오. 손상된 부분이 있는 경우 사용하기 전에 전동 공구를 수리하십시오.** 많은 사고는 전동 공구를 제대로 유지 보수하지 않아 발생합니다.
- f. **절단 공구를 예리하고 깨끗한 상태로 유지하십시오.** 절삭 가장자리를 예리하게 잘 유지하면 절삭기를 사용할 때 바인딩이 적고 다루기가 용이합니다.
- g. **작업 환경과 수행할 작업을 고려하여, 본 지시 사항에 따라 전동 공구, 액세서리 및 톨 비트 등을 사용하십시오.** 본 사용 설명서의 내용과 다른 용도로 전동 공구를 사용하면 위험한 상황이 발생할 수 있습니다.
- h. **핸들과 잡는 표면은 건조하고 깨끗한 상태를 유지하고 오일기름이 묻지 않도록 하십시오.** 미끄러운 핸들과 잡는 면은 예기치 못한 상황에서 안전한 취급과 공구 관리를 보장하지 않습니다.

**5. 정비**

- a. **작업을 갖춘 기술자가 동일 교체 부품을 사용하여 정비 작업을 수행해야 합니다.** 그래야 전동 공구의 안전이 보장됩니다.

**추가적인 특정 안전 규칙**



**경고! 샌더에 대한 안전 지시 사항**

- a. **샌딩 표면이 자체 코드에 접촉할 수 있으므로, 절연된 그림형 표면으로 전동 공구를 잡으십시오.** “전류가 흐르는” 전선을 자르면 전동 공구의 노출된 금속 부품을 “전류가 흐르는” 상태로 만들어 작업자를 감전시킬 수 있습니다.
- b. **경고! 샌딩 작업 중에 발생한 먼지와 접촉하거나 흡입할 경우 작업자와 주변 사람들의 건강에 나쁜 영향을 줄 수 있습니다.** 먼지와 연기로부터 보호하도록 특수 설계된 방진 마스크를 착용하고 작업장 내부에 있는 사람이나 작업장 내부로 들어오는 사람들도 마스크를 착용하도록 하십시오.
- c. 샌딩 후에는 먼지를 깔끔하게 제거하십시오.

- d. **납이 함유되어 있는 페인트나 유독성 먼지를 발생시킬 수 있는 목재 및 금속을 샌딩할 때는 특히 주의하십시오.**
  - 어린이와 임산부의 작업장 출입을 차단하십시오.
  - 작업장에서 식사하거나 음료를 마시거나 담배를 피우지 마십시오.
  - 먼지 및 기타 부스러기는 안전하게 폐기하십시오.

**추가 안전 정보**



**경고:** 정격 잔류 전류가 30mA 미만인 누전 차단기 (RCD)를 사용하는 것이 좋습니다.

**기타 발생 가능한 위험**

관련된 안전 규정을 준수하고 안전 장치를 사용한다고 해도 특정한 위험은 피할 수 없습니다. 이러한 위험은 다음과 같습니다.

- 청력 손상.
- 파편 날림으로 인한 신체 부상 위험.
- 작업 중 뜨거워지는 액세서리로 인한 화상 위험.
- 장시간 사용으로 인한 신체 부상의 위험.
- 유해 물질에서 발생하는 먼지 위험.

**전기 안전**

이 공구에는 한 개의 전압만 적용할 수 있습니다. 전원이 전동기 라벨에 기재된 전압과 일치하는지 확인하십시오.



스탠리 공구는 이중 절연 되어 있으므로 접지할 필요가 없습니다.

전동 공구가 손상된 경우, 특별히 준비된 케이블로 교체할 수 있도록 STANLEY 서비스 센터로 가져가십시오.

**연장 케이블 이용**

연장 케이블이 필요할 경우 이 공구의 소비전력에 맞는 승인된 3 코어 연장 케이블을 사용하십시오(**기술 데이터** 참조). 최소 도체 크기는 1.5 mm<sup>2</sup>, 최대 길이는 30 m입니다.

케이블 릴을 사용할 때는 항상 케이블을 완전히 푸십시오.

**공구 라벨**

본 설명서에 사용된 그림 외에도 공구에 부착된 레이블에는 다음과 같은 그림이 표시되어 있습니다.

	경고! 부상 위험을 줄이려면 사용자는 사용 전에 사용 설명서를 주의 깊게 읽어야 합니다.
	항상 보호 안경 또는 고글을 착용하십시오.
	귀 보호 장구를 착용하십시오.
	방진 마스크를 착용하십시오.

V	볼트		직류
A	암페어	$n_0$	무부하 속도
Hz	헤르츠		클래스 II 건설 산업용
W	와트		접지 단자
분	분		안전 경고 기호
	교류 전류	/분.	분당 회전 또는 왕복 수

포장에는 다음 내용물이 들어 있습니다.

- 1 1/4 샌더
- 1 펀치 고정판
- 1 먼지주머니
- 1 사용 설명서
- 1 보증 카드
- 1 서비스 센터 목록

- ◆ 운반 중에 발생할 수 있는 공구, 부품 또는 액세서리의 손상 여부를 확인하십시오.
- ◆ 작동 전에 시간을 내어 본 사용 설명서를 읽고 숙지하십시오.

**날짜 코드 위치(그림 B)**

날짜 코드에는 제조년도도 포함되어 케이스에 인쇄되어 있습니다.

예: 2018 XX XX  
 제조년도 포장 내용물

**연장 케이블 이용**

연장 케이블을 사용해야 할 경우 이 공구의 소비전력 사양에 맞는 승인된 연장 케이블을 사용하십시오. 도선의 최소 횡단면은 1.5 sq. mm입니다. 케이블은 감아 올리기 전에 풀어야 합니다.

케이블 단면적(mm <sup>2</sup> )	케이블 정격 전류(암페어)
0.75	6
1.00	10
1.50	15
2.50	20
4.00	25

케이블 길이(m)						
	7.5	15	25	30	45	60

전압	암페어	케이블 정격 전류(암페어)						
115	0 - 2.0	6	6	6	6	6	6	10
	2.1 - 3.4	6	6	6	6	15	15	
	3.5 - 5.0	6	6	10	15	20	20	
	5.1 - 7.0	10	10	15	20	20	25	
	7.1 - 12.0	15	15	20	25	25	-	
230	12.1 - 20.0	20	20	25	-	-	-	
	0 - 2.0	6	6	6	6	6	6	6
	2.1 - 3.4	6	6	6	6	6	6	6
	3.5 - 5.0	6	6	6	6	10	15	
	5.1 - 7.0	10	10	10	10	15	15	
	7.1 - 12.0	15	15	15	15	20	20	
	12.1 - 20.0	20	20	20	20	25	-	

**설명(그림 A)**



경고: 전동 공구 또는 전동 공구의 어떤 부품도 절대 개조하지 마십시오. 제품이 파손되거나 신체 부상을 당할 수도 있습니다.

1. 커짐/끼임 스위치
2. 먼지주머니
3. 샌딩 베이스
4. 페이퍼 클램프 레버
5. 펀치 고정판
6. 먼지주머니 칼라
7. 먼지 배출구

**조립 및 조정**



경고: 심각한 신체 부상의 위험을 줄이려면 부착물 또는 액세서리를 조정하거나 제거/설치하기 전에 공구를 끄고 전원에서 공구 플러그를 빼십시오.

공구를 다시 연결하기 전에 트리거 스위치를 당겼다 놓아 공구가 꺼졌는지 확인하십시오. 공구가 갑자기 작동하여 부상을 당할 수 있습니다.

**먼지 배출(그림 B)**

경고: 샌더를 사용하는 목공 작업은 먼지를 발생시키므로, 항상 먼지 배출에 관해 적용되는 지침에 따라 설계된 먼지주머니를 설치하십시오.

경고: 금속을 샌딩할 때는 적절한 스파크 보호 기능 없이 먼지주머니 또는 진공 환기 장치를 사용하지 마십시오.

샌더에는 먼지 배출 방법이 있는데, 즉, 제공된 먼지주머니(2) 또는 매장용 진공 장치를 연결할 수 있는 내장 배출구(7)가 있습니다.

**먼지주머니를 장착하려면**

- ◆ 샌더를 잡은 상태에서, 그림 C와 같이 먼지주머니 칼라(6)를 배출구(7)에 맞춥니다.
- ◆ 칼라(6)를 시계 반대 방향으로 돌려서 먼지주머니(2)를 제 자리에 잠급니다.

**먼지주머니를 비우려면**

참고: 이 절차를 수행할 때에는 승인된 눈 보호 장구 및 승인된 방진 마스크를 반드시 착용하십시오.

효율적인 집진을 위해, 약 1/3이 가득 차면 먼저 흡입부를 비웁니다.

- ◆ 샌더를 잡고 있는 상태에서, 칼라(6)를 시계 방향으로 돌려서 먼지주머니(2)의 잠금을 풉니다.
- ◆ 샌더에서 먼지주머니를 분리한 다음 먼지주머니를 살짝 흔들거나 두드려서 먼지를 비웁니다.
- ◆ 먼지주머니를 배출구에 다시 장착하고 먼지주머니 칼라를 시계 방향으로 돌려서 제 자리에 고정합니다.

**일반 샌딩 시트 장착(그림 C)**

**경고:** 공구 스위치가 꺼져 있고 플러그를 뽑았는지 반드시 확인하십시오.

- ◆ 작업대 가장자리 위에서 비연마재 쪽을 문질러서 샌딩 시트를 부드럽게 해 주십시오.
- ◆ 종이 클램프 레버(4)를 들어 올려 고정 홀에서 푼 뒤 종이 클램프(4)를 아래쪽으로 눌러 여십시오.
- ◆ 샌딩시트를 샌딩 베이스(3)에 올려 놓습니다.
- ◆ 그림에서와 같이 샌딩 시트의 가장자리를 앞쪽 종이 클램프(4)에 끼우십시오.
- ◆ 앞쪽 종이 클램프 레버(4)를 위로 들어 올려 고정 홀에 위치시킵니다.
- ◆ 샌딩시트를 팽팽하게 하여 시트 뒤쪽 가장자리를 뒤쪽 종이 클램프(4)에 끼우십시오.
- ◆ 뒤쪽 종이 클램프 레버(4)를 아래로 눌러 고정 홀에 위치시킵니다.

**먼지 주머니를 사용 할 때는 사진(그림D)과 같이 펀치 고정판을 사용하여 샌딩시트에 구멍을 뚫습니다.**

- ◆ 공구를 거꾸로 놓습니다.
- ◆ 펀치 고정판 앞쪽이 공구 앞쪽과 일치하도록 사포에 펀치 고정판을 놓으십시오. 정확한 위치는 그림 D를 참조하십시오.
- ◆ 그런 다음 펀치 고정판을 눌러서 샌딩시트에 구멍을 뚫습니다.

**경고:** 공구를 작동하기 전에 펀치 고정판을 반드시 제거하십시오.

**사용법**



경고:공구를 정상 속도로 가동하십시오. 과부하가 발생하면 안 됩니다.

**전원 켜기/끄기**

- ◆ 공구 스위치를 켜려면 on/off 스위치(1)를 “1” 위치로 누릅니다(그림 A 참조).
- ◆ 공구 스위치를 끄려면 on/off 스위치를 “0” 위치로 누릅니다(그림 A 참조).

**최적의 사용법(그림 E)**

- ◆ 공구에 너무 많은 압력을 가하지 마십시오.
- ◆ 샌딩시트의 상태를 정기적으로 점검하십시오.
- ◆ 필요하면 교체합니다.
- ◆ 목재 결에 맞춰 샌딩하는 것이 좋습니다.
- ◆ 추가 도색 전에 새 도장면을 샌딩할 때는 아주 미세한 입자의 샌딩시트를 사용하십시오.

- ◆ 작업 면이 아주 거칠거나 도색을 제거할 때는 거친 샌딩시트로 시작하십시오. 그 밖의 다른 면에서는 중간 크기의 입자를 가진 샌딩시트부터 사용하십시오. 두 가지 경우 모두, 매끄러운 마감 처리를 위해 고운 입자의 샌딩시트로 점진적으로 바꿔 나가십시오.
- ◆ 사용 가능한 액세서리에 대한 자세한 정보는 판매 대리점으로 문의하십시오.

**기타 발생 가능한 위험**

공구를 사용할 때 동봉된 안전 경고에 포함되어 있지 않은 기타 발생 가능한 위험들이 있을 수 있습니다. 이러한 위험은 오용, 장시간 사용 등으로 인해 발생할 수 있습니다.

관련된 안전 규정을 준수하고 안전 장치를 사용한다고 해도 어떤 위험들은 피하지 못할 수도 있습니다. 이러한 위험으로는 다음과 같은 것들이 있습니다.

- ◆ 회전 부품이나 작동 부품을 만져 발생하는 부상.
- ◆ 부품, 톱날 또는 액세서리 변경으로 인한 부상.
- ◆ 장시간에 걸친 공구 사용으로 인한 부상. 어떤 공구이든 장시간에 걸쳐 사용할 때는 반드시 정기적인 휴식을 취하십시오.
- ◆ 청력 손상.
- ◆ 공구 사용 중에 발생하는 먼지를 호흡하여 유발되는 건강 위해성(예: 목재, 특히 오크, 너도밤나무 및 MDF 가공 작업).

**유지 보수**

STANLEY 전동 공구는 최소한의 유지 보수로 장기간에 걸쳐 작업이 가능하도록 설계되어 있습니다. 만족스러운 연속 작동은 적절한 공구 관리와 정기적인 청소에 따라 그 성능이 달라질 수 있습니다.

- ◆ 부드러운 브러시와 마른 헝겊으로 공구의 환기 슬롯을 주기적으로 청소하십시오.
- ◆ 젖은 헝겊으로 모터 하우징을 주기적으로 청소하십시오. 거친 재질 또는 유성 클리너를 사용하지 마십시오. 본 공구는 사용자 가 직접 수리 할 수 없습니다. 문제가 발생할 경우 공식 스탠리 대리점에 문의 하십시오.



**윤활방법**

전동 공구는 별도의 윤활 작업이 필요하지 않습니다.



**청소**



경고: 통풍구 속이나 주변에 먼지가 쌓여있는 것이 보이면 가능한 한 자주 건조한 공기를 이용하여 몸체에서 먼지를 불어내십시오. 이 절차를 수행할 때에는 승인된 눈 보호 장구 및 승인된 방진 마스크를 착용하십시오.



경고: 공구의 금속 이물질 부품을 청소할 때는 용제 등의 강력한 화학약품을 절대 사용하지 마십시오. 그렇지 않으면 이러한 부분에 사용된 재료가 약해질 수 있습니다. 헝겊에 물과 순한 비누를 적셔 닦아주십시오. 공구 내부에 액체를 넣거나 공구 부품을 액체에 담그는 행동은 절대 금물입니다.

제품의 안전과 신뢰성을 유지하려면, 수리, 카본 브러시 검사 및 교체, 기타 유지보수 또는 조정은 항상 스탠리 교체 부품을 사용해서 스탠리 서비스 센터에서 수행되어야 합니다.

### 선택 액세서리



**경고:** 알맞지 않은 액세서리를 이 공구와 함께 사용하면 위험할 수 있습니다. 신체 부상의 위험을 줄이려면 본 제품에 STANLEY 권장 액세서리만 사용해야 합니다.

해당 액세서리에 대한 자세한 정보는 판매 대리점으로 문의하십시오.

### 환경 보호



분리 수거. 본 제품을 일반 가정용 쓰레기로 처리하면 안됩니다.

STANLEY 제품을 교체해야 하거나 더 이상 쓸모가 없어졌다고 판단될 때는 본 제품을 가정용 쓰레기와 함께 처리하지 마십시오. 분리 재활용으로 분류하십시오.



사용하던 제품과 포장을 분리 수거하면 자원을 재활용 및 재사용할 수 있습니다. 재활용 자원을 이용하면 환경 오염이 방지되고 고철 자원에 대한 수요를 줄일 수 있습니다.

### 참고

STANLEY는 고객 만족을 극대화 하기 위하여 제품을 지속적으로 개선하는 노력을 하고 있습니다. 이에 사전 통지 없이 제품의 사양이 변경 될 수 있습니다.

제품 사양 및 기본 장비, 액세서리 구성 등은 출시되는 국가에 따라 다를 수 있습니다.

국가에 따라 판매하지 않는 제품도 있을 수 있습니다. 제품 판매 여부는 해당 지역에 있는 스탠리 판매점으로 문의 하시기 바랍니다.

### 서비스 정보

STANLEY는 대한민국 전역에 자체 운영하거나 공인된 영업소 및 서비스 센터를 두고 있습니다. 모든 스탠리 서비스 센터에는 교육을 이수한 전문 직원이 배치되어 있어 고객에게 효과적이고 믿을 수 있는 전동 공구 서비스를 제공하고 있습니다. 기술 지원, 수리 또는 순정 교체 부품이 필요한 모든 경우에 가까운 STANLEY 지정 대리점으로 연락하십시오.

### 기술 데이터

1/4 시트 센터	SS24				
전압	VAC	B1/XD	KR	A9	TW
		220~240	220	220	110
주파수	Hz	50-60	60	50	60
소비전력	W		240		
회전(무부하)	min <sup>-1</sup>		16000		
샌딩 베이스 표면	mm		110x104		
무게	kg		1.1		



## TUJUAN PENGGUNAAN

Pengampelas Elektrik 1/4 STANLEY SS24 telah dirancang untuk mengampelas permukaan kayu, logam, plastik, dan cat. Alat ini ditujukan untuk penggunaan profesional.

## PETUNJUK KESELAMATAN

Definisi berikut ini menjelaskan tingkat bahaya untuk setiap kata sinyal. Harap baca buku petunjuk dan perhatikan simbol-simbol ini.



**BAHAYA:** Mengindikasikan situasi berbahaya yang tak terelakkan, yang jika tidak dihindari, akan mengakibatkan kematian atau cedera berat.



**PERINGATAN:** Mengindikasikan situasi berbahaya yang berpotensi terjadi, yang jika tidak dihindari, dapat mengakibatkan kematian atau cedera berat.



**PERHATIAN:** Mengindikasikan situasi berbahaya yang berpotensi terjadi, yang jika tidak dihindari, dapat mengakibatkan cedera ringan atau sedang.

**PEMBERITAHUAN:** Mengindikasikan suatu praktik yang tidak berhubungan dengan cedera pribadi, yang jika tidak dihindari, mungkin mengakibatkan kerusakan barang.



Menunjukkan risiko sengatan listrik.



Menunjukkan risiko kebakaran.



**Peringatan:** Untuk mengurangi risiko cedera, baca buku petunjuk.

### Peringatan Keselamatan Alat Listrik Umum



**PERINGATAN!** Baca semua peringatan keamanan, instruksi, ilustrasi, dan spesifikasi yang disertakan bersama alat listrik ini. Kegagalan mengikuti seluruh instruksi yang tercantum di bawah ini dapat mengakibatkan sengatan listrik, kebakaran, dan/atau cedera berat.

### Simpan semua peringatan dan petunjuk untuk referensi di masa mendatang

Istilah "alat listrik" dalam peringatan merujuk pada alat listrik beroperasi listrik induk (berkabel) atau alat listrik beroperasi baterai (nirkabel).

#### 1. Keselamatan area kerja

- Jaga agar area kerja tetap bersih dan terang. Area yang berantakan atau gelap berpotensi mengakibatkan kecelakaan.
- Jangan operasikan alat listrik di lingkungan yang dapat meledak, misalnya jika terdapat cairan, gas,

atau debu yang mudah terbakar. Alat listrik menimbulkan percikan api yang dapat menyulut debu atau uap.

- Jauhkan anak-anak dan orang-orang di sekitar Anda saat mengoperasikan alat listrik. Gangguan dapat mengakibatkan Anda kehilangan kendali.
- #### 2. Keselamatan Kelistrikan
- Steker alat listrik harus sesuai dengan stopkontak. Jangan pernah memodifikasi steker dengan cara apa pun. Jangan gunakan steker adaptor apa pun dengan alat listrik yang dibumikan (grounded). Steker yang tidak dimodifikasi dan stopkontak yang sesuai akan mengurangi risiko sengatan listrik.
  - Hindari kontak badan dengan permukaan yang dibumikan (grounded), seperti pipa, radiator, kompor, dan kulkas. Risiko sengatan listrik dapat meningkat jika tubuh Anda bersentuhan dengan permukaan yang dibumikan.
  - Jangan sampai alat listrik ini terkena hujan atau terpapar ke kondisi yang basah. Air yang masuk ke alat listrik akan meningkatkan risiko sengatan listrik.
  - Jangan menyalahgunakan kabel. Jangan sekali-kali menggunakan kabel untuk membawa, menarik, atau mencabut alat listrik. Jauhkan kabel dari panas, minyak, tepi tajam, atau komponen yang bergerak. Kabel yang rusak atau terbelit meningkatkan risiko sengatan listrik.
  - Bila mengoperasikan alat listrik di luar ruangan, gunakan kabel sambungan yang sesuai untuk penggunaan di luar ruangan. Menggunakan kabel yang sesuai untuk penggunaan di luar ruangan akan mengurangi risiko sengatan listrik.
  - Jika penggunaan alat listrik di lokasi yang lembap tidak dapat dihindari, gunakan suplai yang terlindung oleh perangkat arus sisa (RCD). Penggunaan RCD akan mengurangi risiko sengatan listrik.
- #### 3. Keselamatan Diri
- Tetap waspada, perhatikan apa yang Anda kerjakan dan gunakan akal sehat saat mengoperasikan alat listrik. Jangan mengoperasikan alat listrik bila Anda sedang lelah, atau berada di bawah pengaruh obat, alkohol, atau pengobatan. Kelengahan sesaat saja saat mengoperasikan alat listrik dapat mengakibatkan cedera diri serius.
  - Gunakan peralatan pelindung diri. Selalu kenakan alat pelindung mata. Peralatan pelindung, seperti masker debu, sepatu keselamatan antiselip, helm proyek, atau pelindung telinga yang digunakan untuk kondisi yang sesuai akan mengurangi risiko cedera diri.
  - Hindarkan menyalakan alat tanpa disengaja. Pastikan bahwa sakelar sudah dalam posisi mati sebelum menghubungkannya ke sumber listrik dan/atau baterai, mengambil, atau membawa alat. Membawa perkakas listrik dengan jari Anda masih menempel pada tombol atau menghidupkan perkakas



listrik yang tombolnya masih menyala akan berpotensi mengakibatkan kecelakaan.

- d. **Lepaskan semua kunci setelah atau kunci pas sebelum menghidupkan alat listrik.** Kunci pas atau kunci yang dibiarkan terpasang pada komponen alat listrik yang berputar dapat mengakibatkan cedera diri.
- e. **Jangan melampaui batas. Selalu jaga pijakan dan keseimbangan yang baik.** Hal ini memungkinkan Anda untuk mengendalikan alat listrik secara lebih baik dalam situasi yang tidak terduga.
- f. **Kenakan pakaian yang sesuai. Jangan mengenakan pakaian longgar atau perhiasan. Jauhkan rambut dan pakaian dan dari komponen yang bergerak.** Pakaian yang longgar, perhiasan atau rambut panjang dapat tersangkut pada komponen yang bergerak.
- g. **Jika disediakan perangkat untuk sambungan fasilitas pengeluaran dan pengumpulan debu, pastikan perangkat ini dihubungkan dan digunakan dengan sesuai.** Penggunaan alat pengumpul debu dapat mengurangi bahaya yang ditimbulkan oleh debu.
- h. **Jangan biarkan keakraban karena keseringan menggunakan alat membuat Anda berpuas diri dan mengabaikan prinsip keselamatan alat.** Tindakan ceroboh dapat menyebabkan cedera parah dalam hitungan sepersekian detik.

#### 4. Penggunaan Dan Perawatan Alat Listrik

- a. **Jangan menggunakan alat listrik dengan paksa. Gunakan alat listrik yang sesuai untuk aplikasi Anda.** Alat listrik yang tepat akan bekerja lebih baik dan aman pada tingkatan kerja yang telah dirancang untuk alat itu.
- b. **Jangan gunakan alat listrik ini jika tombol tidak dapat menghidupkan dan mematikan alat.** Alat listrik apa pun yang tidak dapat dikendalikan dengan tombol adalah berbahaya dan harus diperbaiki.
- c. **Lepaskan stop kontak dari sumber listrik dan/ atau baterai, jika dilepas dari alat listrik sebelum melakukan penyetulan apa pun, mengganti aksesoris, atau menyimpan alat listrik.** Tindakan pencegahan untuk keselamatan seperti itu akan mengurangi risiko menyalakan alat listrik secara tidak disengaja.
- d. **Simpan alat listrik yang tidak digunakan jauh dari jangkauan anak-anak, dan jangan membolehkan orang yang tidak memahami alat listrik atau petunjuk ini untuk mengoperasikannya.** Alat listrik dapat berbahaya bila digunakan oleh pengguna yang tidak terlatih.
- e. **Rawat alat dan aksesoris listrik. Lakukan pemeriksaan untuk mengetahui apakah ada komponen bergerak yang tidak sejajar atau bengkok, komponen yang patah, dan kondisi lainnya yang dapat mempengaruhi pengoperasian alat listrik. Jika rusak, perbaiki alat listrik sebelum digunakan.** Banyak terjadi kecelakaan akibat alat listrik yang tidak terawat dengan baik.

- f. **Jaga ketajaman dan kebersihan alat pemotong.** Alat pemotong yang terawat dengan baik dengan mata potong yang tajam akan kecil kemungkinannya untuk macet serta lebih mudah untuk dikendalikan.
  - g. **Gunakan alat listrik, aksesoris, dan mata bor, dsb., sesuai petunjuk ini, dengan memperhitungkan persyaratan kerja dan jenis pekerjaan yang harus dilakukan.** Penggunaan alat listrik untuk pengoperasian yang tidak sesuai dengan tujuan penggunaan dapat mengakibatkan situasi yang berbahaya.
  - h. **Jaga agar pegangan dan permukaan pegangan tetap kering, bersih, dan bebas dari minyak dan lemak.** Pegangan dan permukaan pegangan yang licin tidak memungkinkan untuk melakukan penanganan dan pengendalian alat dengan aman saat dalam situasi tak terduga.
5. **Servis**
- a. **Alat listrik sebaiknya diservis oleh teknisi yang mahir dan hanya menggunakan komponen pengganti yang persis sama.** Hal ini akan membuat keamanan alat listrik selalu terjaga.

### PERATURAN KESELAMATAN KHUSUS TAMBAHAN



#### PERINGATAN! Petunjuk Keselamatan untuk Pengampelas

- a. **Pegang alat listrik di permukaannya yang berpelindung, karena permukaan ampelas dapat mengenai kabel.** Memotong kabel yang bertegangan listrik dapat mengalirkan arus listrik pada komponen logam perkakas listrik dan mengakibatkan sengatan listrik pada pengguna.
- b. **Peringatan!** Bersentuhan dengan atau menghirup debu yang timbul karena mengampelas dapat membahayakan kesehatan operator dan orang lain yang mungkin berdekatan. Pakai masker debu yang dirancang secara khusus untuk melindungi terhadap debu dan uap, dan pastikan bahwa orang yang berada di dalam atau yang memasuki area kerja juga terlindungi.
- c. Buanglah semua serbuk debu setelah mengampelas.
- d. Lakukan dengan lebih berhati-hati bila mengampelas cat yang mungkin berbasis timah atau bila mengampelas bahan kayu dan logam yang dapat menghasilkan debu toksin:
  - Jauhkan anak-anak atau wanita hamil dari area kerja.
  - Jangan makan, minum, atau merokok di area kerja.
  - Buang partikel debu dan kotoran lainnya dengan aman.

#### Petunjuk Keselamatan Tambahan



**PERINGATAN:** Kami merekomendasikan penggunaan perangkat arus sisa dengan nilai arus sisa sebesar 30mA atau kurang.

**RISIKO-RISIKO LAIN**

Sekalipun peraturan keselamatan terkait sudah diterapkan dan peralatan pengaman sudah digunakan, risiko-risiko lain tertentu tidak dapat dihindari. Antara lain:

- Kerusakan indra pendengaran
- Risiko cedera pribadi karena partikel-partikel yang beterbangan.
- Risiko luka bakar karena aksesoris menjadi panas selama operasi.
- Risiko cedera pribadi karena penggunaan berkepanjangan.
- Risiko debu dari zat-zat berbahaya.

**KESELAMATAN KELISTRIKAN**

Hanya satu tegangan yang berlaku untuk alat ini. Pastikan untuk memeriksa bahwa catu daya sesuai dengan voltase pada papan nilai.



Alat Stanley Anda dilengkapi dengan isolasi ganda, oleh karena itu tidak perlu dibumikan.

Bila kabel listrik rusak, kirim ke pusat layanan STANLEY untuk diganti dengan kabel yang disiapkan secara khusus.

**MENGGUNAKAN KABEL EKSTENSI**

Jika kabel sambungan diperlukan, gunakan kabel sambungan 3 inti yang disetujui dan sesuai untuk input daya alat ini (lihat **Data Teknis**). Ukuran konduktor minimum adalah 1,5 mm<sup>2</sup>; panjang maksimum adalah 30 m.

Bila menggunakan gulungan kabel, selalu ulur kabel sepenuhnya.

**LABEL PADA ALAT**

Sebagai tambahan gambar-gambar yang digunakan dalam buku petunjuk ini, label-label pada alat menunjukkan gambar-gambar berikut ini:

	<b>PERINGATAN!</b> Untuk mengurangi risiko cedera, pengguna harus membaca buku petunjuk sebelum digunakan.
	Kenakan kacamata pengaman atau pelindung.
	Gunakan pelindung telinga.
	Kenakanlah masker debu.

V	Voltase		Arus Langsung (DC)
A	Ampere	$n_0$	Kecepatan Tanpa Beban
Hz	Hertz		Konstruksi Kelas II
W	Watt		Terminal Arde (Pentanahan)
mnt	menit		Simbol Waspada Keselamatan
	Arus Bolak-Balik	/mnt.	Putaran atau Bolak-balik per menit

**Posisi Kode Tanggal (Gbr. B)**

Kode Tanggal, yang juga mencantumkan tahun produksi, dicetak pada kerangka alat.

Contoh:

2018 XX XX

Tahun Produksi Isi Kemasan

**MENGGUNAKAN KABEL EKSTENSI**

Jika kabel ekstensi harus digunakan, gunakan kabel ekstensi yang disetujui yang sesuai dengan spesifikasi input daya pada alat. Luas penampang minimum dari kabel penghubung adalah 1,5 mm persegi. Kabel harus diurai sebelum digulung.

Luas penampang kabel (mm <sup>2</sup> )	Nilai arus kabel (Ampere)
0,75	6
1,00	10
1,50	15
2,50	20
4,00	25

Panjang kabel (m)						
	7,5	15	25	30	45	60

Voltase	Ampere	Nilai arus kabel (Ampere)					
115	0 - 2,0	6	6	6	6	6	10
	2,1 - 3,4	6	6	6	6	15	15
	3,5 - 5,0	6	6	10	15	20	20
	5,1 - 7,0	10	10	15	20	20	25
	7,1 - 12,0	15	15	20	25	25	-
230	12,1 - 20,0	20	20	25	-	-	-
	0 - 2,0	6	6	6	6	6	6
	2,1 - 3,4	6	6	6	6	6	6
	3,5 - 5,0	6	6	6	6	10	15
	5,1 - 7,0	10	10	10	10	15	15
	7,1 - 12,0	15	15	15	15	20	20
12,1 - 20,0	20	20	20	20	25	-	

## KEMASAN BERISI

- 1 Pengampelas 1/4
- 1 Pelat Lubang
- 1 Kantong Debu
- 1 Buku petunjuk
- 1 Kartu garansi
- 1 Daftar pusat layanan

- ◆ Periksa kemungkinan adanya kerusakan pada alat, komponen, atau aksesoris yang bisa jadi terjadi selama transportasi.
- ◆ Luangkan waktu untuk membaca seluruh isi buku petunjuk ini dan memahaminya sebelum pengoperasian.

### Penjelasan (Gbr. A)



**PERINGATAN:** Jangan pernah memodifikasi alat listrik atau komponennya. Ini dapat mengakibatkan kerusakan atau cedera pribadi.

1. Sakelar on/off
2. Kantong Debu
3. Alas ampelas
4. Tuas penjepit kertas
5. Pelat Lubang
6. Katup Kantong Debu
7. Soket Pengeluaran Debu

## PERAKITAN DAN PENYESUAIAN



**PERINGATAN:** Untuk mengurangi risiko cedera pribadi yang berat, matikan alat dan lepaskan dari sumber listrik sebelum melakukan penyesuaian apa pun atau melepaskan/memasang pelengkap atau aksesoris. Sebelum menghubungkan kembali alat, tekan dan lepas tombol pemacu untuk memastikan bahwa alat sudah mati. Alat yang mendadak menyala dapat mengakibatkan cedera.

### Pengeluaran Debu (Gbr. B)

**PERINGATAN:** Karena pekerjaan kayu menggunakan pengampelas menghasilkan debu, selalu pasang kantong debu yang dirancang sesuai dengan arahan yang berlaku terkait emisi debu.

**PERINGATAN:** Jangan gunakan kantong debu atau ekstraktor vakum tanpa perlindungan percikan api yang tepat saat mengampelas logam.

Pengampelas Anda memiliki dua metode pengeluaran: lubang pengeluaran bawaan (7) yang memungkinkan tersambung kantong debu yang disertakan (2) atau sistem pengisap debu toko.

## UNTUK MEMASANGKAN KANTONG DEBU

- ◆ Sambil menahan pengampelas, pasang kantong debu (6) ke lubang pengeluaran (7) seperti pada Gambar C.
- ◆ Putar katup (6) berlawanan arah jarum jam untuk mengunci kantong debu (2) di posisinya.

## UNTUK MENGOSONGKAN KANTONG DEBU

**CATATAN:** Pastikan untuk menggunakan pelindung mata yang sesuai dan masker debu yang sesuai bila melakukan prosedur ini.

Agar ekstraksi debu berjalan efisien, kosongkan pengumpul debu jika sudah terisi kira-kira sepertiga bagian.

- ◆ Sambil menahan pengampelas, putar katup (6) searah jarum jam untuk membuka kantong debu (2).
- ◆ Lepaskan kantong debu dari pengampelas dan goyangkan atau ketuk kantong debu untuk mengosongkannya.
- ◆ Pasangkan lagi kantong debu ke lubang pengeluaran dan kunci di posisinya dengan memutar katup kantong debu searah jarum jam.

## MEMASANG AMPELAS REGULER (Gbr. C)

**PERINGATAN:** Pastikan bahwa perkakas sudah dimatikan dan dicabut dari stopkontak.

- ◆ Haluskan ampelas dengan cara menggosok sisi non-abrasif pada tepi bidang meja kerja.
- ◆ Angkat tuas penjepit kertas (4) ke arah atas untuk melepaskannya dari alur penahan, dan buka penjepit kertas (4) dengan cara menekannya ke bawah.
- ◆ Taruh lembaran pada alas ampelas (3).
- ◆ Sisipkan tepi ampelas ke dalam penjepit kertas depan (4) seperti terlihat pada gambar.
- ◆ Angkat tuas penjepit kertas depan (4) ke arah atas, dan tempatkan di dalam alur penahan.
- ◆ Seraya menahan sedikit regangan pada lembaran, sisipkan tepi belakang lembaran ke dalam penjepit kertas belakang (4).
- ◆ Tekan tuas penjepit kertas belakang (4) ke bawah, dan tempatkan di dalam alur penahan.

## SAAT MENGGUNAKAN KANTONG DEBU, GUNAKAN PELAT LUBANG SEPerti GAMBAR (Gbr.D) . BUAT LUBANG PADA KERTAS AMPELAS.

- ◆ Tempatkan alat secara terbalik.
- ◆ Tempatkan pelat lubang pada kertas ampelas untuk membuat sisi depan pelat lubang sesuai dengan bagian depan alat. Untuk tempat yang benar, silakan lihat (Gbr. D).
- ◆ Lalu tekan pelat lubang untuk membuat lubang pada kertas ampelas.

**PERINGATAN:** Pastikan untuk melepaskan pelat lubang sebelum mengoperasikan alat.

**PENGUNAAN**



**PERINGATAN:** Biarkan alat bekerja sesuai kecepatannya. Jangan dibebani berlebihan.

**Menyalakan dan mematikan**

- ♦ Untuk menghidupkan alat, tekan bagian tombol on/off (1) ke "I", lihat (GBR.A)
- ♦ Untuk mematikan alat, tekan bagian tombol on/off ke "O", lihat (GBR.A)

**Petunjuk untuk penggunaan secara optimal (Gambar. E)**

- ♦ Jangan menekan alat secara berlebihan.
- ♦ Periksa secara teratur kondisi kertas ampelas.
- ♦ Gantilah bila perlu.
- ♦ Sebaiknya mengampelas searah urat kayu.
- ♦ Bila mengampelas lapisan cat yang baru sebelum mengampelas lapisan lainnya, gunakan grit (butiran pasir) yang sangat halus.
- ♦ Pada permukaan yang tidak rata, atau bila menghilangkan lapisan cat, mulailah dengan grit (butiran) yang kasar. Pada permukaan lainnya, mulailah dengan grit (butiran) sedang. Pada kedua pengampelasan tersebut, gantilah secara bertahap ke butiran halus agar hasil akhirnya halus.
- ♦ Dapatkan informasi lebih lanjut mengenai aksesoris yang tersedia di toko yang menjual alat tersebut.

**Risiko-risiko lain**

Risiko-risiko lain dapat timbul saat menggunakan alat, yang mungkin tidak tercantum dalam peringatan keselamatan yang disertakan. Risiko-risiko ini dapat diakibatkan oleh penyalahgunaan, penggunaan yang terlalu lama, dsb.

Sekalipun peraturan keselamatan terkait sudah diterapkan dan peralatan pengaman sudah digunakan, risiko-risiko lain tertentu tidak dapat dihindari. Ini meliputi:

- ♦ Cedera yang diakibatkan karena menyentuh komponen yang berputar/bergerak.
- ♦ Cedera yang terjadi saat mengganti komponen, pemotong, atau aksesoris.
- ♦ Cedera yang diakibatkan karena penggunaan alat untuk waktu lama. Jika menggunakan alat apa pun untuk waktu yang lama, pastikan Anda mengistirahatkannya secara berkala.
- ♦ Kerusakan indra pendengaran.
- ♦ Bahaya kesehatan yang disebabkan oleh menghirup debu yang ditimbulkan oleh penggunaan alat (contoh: mengampelas kayu, khususnya kayu oak, beech, dan MDF)

**PEMELIHARAAN**

Alat listrik STANLEY dirancang untuk pengoperasian jangka waktu panjang dengan pemeliharaan minimum. Pengoperasian yang memuaskan secara terus-menerus bergantung pada cara pemeliharaan yang benar dan pembersihan alat secara teratur.

- ♦ Bersihkan celah-celah ventilasi dalam alat Anda secara berkala menggunakan sikat lembut atau kain kering.
- ♦ Bersihkan kerangka motor secara teratur dengan menggunakan kain bersih yang lembap. Jangan gunakan bahan pembersih abrasif atau pembersih berbahan dasar larutan apa pun. Mesin ini tidak boleh diservis sendiri oleh pengguna. Jika muncul masalah, hubungi agen reparasi resmi.



**Pelumasan**

Alat listrik Anda tidak membutuhkan pelumas tambahan.



**Pembersihan**



**PERINGATAN:** Semprot ke luar kotoran dan debu pada bodi utama dengan udara kering sesering mungkin saat kotoran terlihat mengendap di dalam dan di sekitar ventilasi udara. Gunakan pelindung mata yang sesuai dan masker debu yang sesuai bilamana mengerjakan prosedur ini.



**PERINGATAN:** Jangan gunakan pelarut atau bahan kimia keras lainnya untuk membersihkan bagian alat yang tidak terbuat dari logam. Zat-zat kimia tersebut dapat merapuhkan bahan yang digunakan dalam komponen-komponen ini. Gunakan kain yang dilembapkan hanya dengan air dan sabun yang lembut. Jangan sampai bagian dalam alat kemasukan air; jangan pernah rendam komponen alat dalam cairan.

Untuk menjaga KESELAMATAN dan KEANDALAN produk, perbaikan, pemeriksaan dan penggantian kuas karbon, pemeliharaan atau penyesuaian apa pun harus dilakukan oleh Pusat Servis STANLEY, dengan selalu menggunakan komponen pengganti dari Stanley.

**AKSESORI YANG DAPAT DIPIILIH**



**PERINGATAN:** Berhubung aksesoris-aksesori lain, di luar yang disediakan oleh STANLEY, belum pernah diuji coba menggunakan produk ini, maka penggunaan aksesoris semacam itu dengan alat ini dapat berbahaya. Untuk mengurangi risiko cedera, gunakan hanya aksesoris yang direkomendasikan STANLEY dengan produk ini.

Tanyakan kepada dealer Anda untuk informasi selengkapnya seputar aksesoris yang sesuai.

**MELINDUNGI LINGKUNGAN**



Pengumpulan terpisah. Produk ini tidak boleh dibuang bersama limbah rumah tangga biasa.

Seandainya suatu hari Anda jumpai produk STANLEY Anda butuh diganti, atau tidak lagi berguna bagi Anda, jangan buang alat ini bersama limbah rumah tangga biasa. Anda harus memilahnya untuk daur ulang terpisah.



Pengumpulan produk dan kemasan bekas secara terpisah memungkinkan material untuk didaur ulang dan digunakan lagi. Penggunaan kembali bahan yang didaur ulang membantu mencegah pencemaran lingkungan dan mengurangi kebutuhan bahan baku.

**CATATAN**

Kebijakan STANLEY adalah salah satu peningkatan yang berkelanjutan pada produk kami, dan karenanya, kami berhak mengubah spesifikasi produk tanpa pemberitahuan sebelumnya.

Perlengkapan dan aksesoris standar mungkin akan berbeda di setiap negara.

Spesifikasi produk mungkin akan berbeda di setiap negara.

Pilihan produk lengkap mungkin tidak tersedia di semua negara. Hubungi dealer STANLEY setempat Anda untuk ketersediaan produk.

**INFORMASI SERVIS**

STANLEY menawarkan jaringan lengkap milik perusahaan dan lokasi servis resmi di seluruh negara Anda. Semua Pusat Servis STANLEY memiliki tenaga kerja terlatih untuk memberikan servis alat listrik yang efisien dan tepercaya kepada pelanggan. Apabila Anda memerlukan saran teknis, perbaikan, atau komponen pengganti asli pabrik, hubungi lokasi STANLEY yang terdekat dengan tempat Anda.

**DATA TEKNIS**

PENGAMPELAS ELEKTRIK 1/4		SS24			
Voltase	$V_{AC}$	B1/XD	KR	A9	TW
		220~240	220	220	110
Frekuensi	Hz	50-60	60	50	60
Input daya	W	240			
Putaran(tanpa beban)	mnt <sup>-1</sup>	16000			
Permukaan alas ampelas	mm	110x104			
Berat	kg	1.1			

## วัตถุประสงค์ในการใช้งาน

เครื่องตัดกระดาดหยาบ 1/4 รุ่น SS24 ของ STANLEY ได้รับการออกแบบมาสำหรับการตัดไม้ โลหะ พลาสติก และพื้นผิวที่มีการทาสี เครื่องมือนี้มีวัตถุประสงค์เพื่อการใช้งานระดับมืออาชีพ

## ข้อปฏิบัติเพื่อความปลอดภัย

คำจำกัดความด้านล่างอธิบายถึงระดับความรุนแรงของ ความอันตรายที่ใช้เรียกสัญลักษณ์ต่างๆ โปรดอ่านคู่มือ และใส่ใจกับสัญลักษณ์ต่างๆ เหล่านี้



**อันตราย:** หมายถึงสถานการณ์ที่ก่อให้เกิดอันตรายได้อย่างฉับพลัน ซึ่งหากไม่ระวัง จะทำให้เสียชีวิตหรือได้รับบาดเจ็บสาหัสได้



**คำเตือน:** หมายถึงสถานการณ์ที่มีแนวโน้มว่า อาจก่อให้เกิดอันตราย ซึ่งหากไม่ระวัง สามารถทำให้เกิดอันตรายถึงชีวิตหรือบาดเจ็บสาหัสได้



**ข้อควรระวัง:** หมายถึงสถานการณ์ที่มีแนวโน้มว่า จะก่อให้เกิดอันตราย ซึ่งหากไม่ระวัง อาจทำให้ได้รับบาดเจ็บเล็กน้อยหรือปานกลาง

**ข้อสังเกต:** หมายถึงการปฏิบัติที่ไม่เกี่ยวข้องกับการบาดเจ็บซึ่งหากไม่ระวังอาจทำให้ทรัพย์สินเสียหายได้



แสดงถึงอันตรายจากการถูกไฟฟ้าช็อต



แสดงถึงอันตรายจากการเกิดเพลิงไหม้



**คำเตือน:** เพื่อลดความเสี่ยงจากการบาดเจ็บ โปรดอ่านคู่มือการใช้งานเล่มนี้

## คำเตือนเพื่อความปลอดภัยทั่วไปสำหรับกร ใช้เครื่องมือไฟฟ้า



**คำเตือน!** อ่านคำเตือน ข้อปฏิบัติเพื่อความปลอดภัยทั้งหมด รวมทั้งภาพประกอบและ ข้อมูลจำเพาะที่ให้มา กับเครื่องมือไฟฟ้านี้ การไม่ปฏิบัติตามคำเตือนและข้อปฏิบัติเหล่านี้อาจทำให้เกิดไฟฟ้าช็อต เกิดอัคคีภัย และ/หรือบาดเจ็บสาหัสได้

## จัดเก็บเอกสารคำเตือนและคำแนะนำทั้งหมดไว้เพื่อการอ้างอิงในภายหลัง

คำว่า “เครื่องมือไฟฟ้า” ในคำเตือน หมายถึงเครื่องมือไฟฟ้า (แบบมีสาย) ที่ทำงานผ่านแหล่งจ่ายไฟหลัก หรือ เครื่องมือไฟฟ้า (แบบไร้สาย) ที่ทำงานผ่านแบตเตอรี่

### 1. ความปลอดภัยในบริเวณที่ทำงาน

- รักษาความสะอาดและจัดให้มีแสงสว่างเพียงพอ ในบริเวณที่ทำงาน บริเวณที่มีดหรือมีขวงวางระเกะระกะอาจทำให้เกิดอุบัติเหตุได้
- ห้ามใช้เครื่องมือไฟฟ้าในบริเวณที่อาจเกิดการระเบิดได้ เช่น ในสถานที่ที่มีของเหลว แก๊ส

หรือฝุ่นละอองที่มีคุณสมบัติไวไฟ เครื่องมือไฟฟ้า จะทำให้เกิดประกายไฟที่อาจทำให้เกิดละอองหรือ เปลวไฟขึ้นได้

- ระวังไม่ให้เด็กเล็กและคนที่เดินผ่านไปมาเข้าใกล้ ในขณะทำงานเครื่องมือไฟฟ้า สิ่งรบกวนต่างๆ อาจทำให้คุณเสียสมาธิได้

### 2. ความปลอดภัยทางไฟฟ้า

- ปลั๊กไฟของเครื่องต้องเป็นชนิดเดียวกับกับเต้ารับ ห้ามตัดแปลงปลั๊กไฟไม่ว่าจะด้วยวิธีใดก็ตาม ห้ามใช้ปลั๊กอะแดปเตอร์ใดๆ กับเครื่องมือไฟฟ้าที่ต่อสายดิน (ลงกราวด์) ปลั๊กไฟที่ไม่ได้รับการตัดแปลงและเต้ารับชนิดเดียวกันจะช่วยลดความเสี่ยงจากการถูกไฟฟ้าช็อต
- หลีกเลี่ยงการสัมผัสพื้นผิวที่ต่อสายดินหรือลงกราวด์ เช่น ท่อ หม้อน้ำ เตาหุงต้ม และตู้เย็น มีความเสี่ยงเพิ่มขึ้นที่จะเกิดไฟฟ้าช็อตหากร่างกายเป็นสื่อเชื่อมต่อดินหรือลงกราวด์
- อย่าให้เครื่องมือไฟฟ้าถูกฝนหรืออยู่ในสภาพที่เปียกชื้น น้ำที่ไหลเข้าเครื่องมือไฟฟ้าจะเพิ่มความเสี่ยงในการเกิดไฟฟ้าช็อต
- ห้ามใช้สายไฟผิดวัตถุประสงค์ ห้ามใช้สายไฟเพื่อหิ้ว ดึง หรือถอดปลั๊กเครื่องมือไฟฟ้า เก็บสายไฟให้พ้นจากความร้อน น้ำมัน ของมีคม หรือชิ้นส่วนต่างๆ ที่กำลังเคลื่อนที่ สายไฟที่ชำรุดหรือพันกันจะทำให้มีความเสี่ยงเพิ่มมากขึ้นที่จะถูกไฟฟ้าช็อตได้
- เมื่อใช้เครื่องมือไฟฟ้านอกอาคาร ให้ใช้สายต่อพ่วงที่เหมาะสมสำหรับการใช้งานนอกอาคาร การใช้สายไฟที่เหมาะสมสำหรับการใช้งานนอกอาคาร จะช่วยลดความเสี่ยงจากการเกิดไฟฟ้าช็อต
- หากไม่สามารถหลีกเลี่ยงการใช้เครื่องมือไฟฟ้าในบริเวณที่ชื้นแฉะได้ ให้ใช้อุปกรณ์ป้องกันไฟดูด (RCD) การใช้ RCD จะลดความเสี่ยงจากการถูกไฟฟ้าช็อต

### 3. ความปลอดภัยส่วนบุคคล

- ต้นตัวและมีสมาธิกับสิ่งที่กำลังทำ รวมทั้งใช้สามัญสำนึกในขณะที่กำลังใช้งานเครื่องมือไฟฟ้า ห้ามใช้เครื่องมือไฟฟ้าในขณะที่คุณกำลังเหนื่อยล้า หรือได้รับอิทธิพลจากยา แอลกอฮอล์ หรือการรักษาบางอย่าง การขาดความระมัดระวังในการใช้เครื่องมือไฟฟ้าแม้ชั่วขณะหนึ่งอาจทำให้บาดเจ็บสาหัสได้
- ใช้อุปกรณ์ป้องกันส่วนบุคคล สวมอุปกรณ์ป้องกันดวงตาเสมอ อุปกรณ์ป้องกัน เช่น หน้ากากกันฝุ่น รองเท้านิรภัยกันชน หมวกนิรภัย หรืออุปกรณ์ป้องกันเสียงดังที่ใช้ในสถานที่ที่เหมาะสมจะช่วยลดอาการบาดเจ็บทางร่างกาย
- ป้องกันเครื่องมือเปิดทำงานโดยไม่ตั้งใจ สวิตช์ต้องอยู่ในตำแหน่งปิดก่อนที่จะเสียบปลั๊กของเครื่องเข้ากับแหล่งจ่ายไฟ และ/หรือแบตเตอรี่ หรือก่อนยกหรือหิ้วเครื่องมือ การยกเครื่องมือ

ไฟฟ้าในขณะที่นิ้วอยู่ที่สวิตช์ หรือใช้เครื่องมือไฟฟ้าที่สวิตช์เปิดอยู่ อาจทำให้เกิดอุบัติเหตุได้

- ง. ถอดปลั๊กเครื่องตั้งหรือประแจออกก่อนเปิดสวิตช์เครื่องมือไฟฟ้า ประแจหรือกุญแจที่เสียบค้างอยู่ในชิ้นส่วนที่หมุนได้ของเครื่องมือไฟฟ้าอาจทำให้เกิดการบาดเจ็บส่วนบุคคลได้
- จ. ห้ามยืนเขย่งเท้าขณะใช้เครื่อง ต้องยืนอย่างมั่นคงและสมดุลเสมอ เพื่อช่วยในการควบคุมเครื่องมือไฟฟ้าได้ดียิ่งขึ้นในสถานการณ์ที่ไม่คาดคิด
- ฉ. แต่งกายให้เหมาะสม ห้ามสวมเสื้อผ้าหลวมหรือใส่เครื่องประดับ รวบผมและเสื้อผ้าให้ห่างจากชิ้นส่วนที่กำลังหมุน เสื้อผ้าที่หลวมหรือยาวรุ่มร่าม เครื่องประดับ หรือผมที่ยาวอาจเข้าไปพันกับชิ้นส่วนที่กำลังหมุน
- ช. หากมีอุปกรณ์สำหรับดูดและเก็บฝุ่น ต้องตรวจสอบให้แน่ใจว่าได้เชื่อมต่อและใช้งานอุปกรณ์นั้นอย่างเหมาะสม การใช้อุปกรณ์เก็บฝุ่นจะช่วยลดอันตรายที่เกี่ยวข้องกับฝุ่นได้
- ซ. อย่าให้ความเคยชินจากการใช้งานทำให้คุณประมาทและละเลยการปฏิบัติตามหลักการเพื่อความปลอดภัย การใช้งานโดยไม่ระวังอาจทำให้เกิดการบาดเจ็บสาหัสได้ภายในเวลาเพียงเสี้ยววินาที

#### 4. การใช้งานและการดูแลรักษาเครื่องมือไฟฟ้า

- ก. ห้ามฝืนใช้เครื่องมือไฟฟ้า เลือกใช้เครื่องมือไฟฟ้าให้ตรงกับลักษณะการใช้งานของคุณ เครื่องมือไฟฟ้าที่ถูกต้องย่อมทำงานได้ดีและปลอดภัยกว่า เมื่อใช้งานตามปกติที่เครื่องมือได้รับการออกแบบมา
- ข. ห้ามใช้เครื่องมือไฟฟ้าหากสวิตช์เปิดปิดเครื่องไม่ทำงาน เครื่องมือไฟฟ้าที่ไม่สามารถควบคุมผ่านสวิตช์ได้ ถือว่ามีอันตรายและต้องได้รับการซ่อมแซม
- ค. ถอดปลั๊กของเครื่องมือไฟฟ้าออกจากรีเลย์จ่ายไฟ และ/หรือ หากถอดแบตเตอรี่ได้ ให้ถอดแบตเตอรี่ออกก่อนทำการปรับแต่ง เปลี่ยนอุปกรณ์เสริม หรือจัดเก็บเครื่องมือไฟฟ้า มาตรการเพื่อความปลอดภัยเชิงป้องกันนี้จะช่วยลดความเสี่ยงในการเปลืองเปิดเครื่องให้ทำงานโดยไม่ตั้งใจ
- ง. เก็บเครื่องมือไฟฟ้าที่ไม่ได้ใช้งานไว้ในหีบห่อเด็ก และใช้มือนุญาตให้บุคคลที่ไม่คุ้นเคยกับเครื่องมือไฟฟ้าหรือคำแนะนำเหล่านี้เป็นผู้ใช้เครื่องมือ เครื่องมือไฟฟ้าจะเป็นอันตรายหากอยู่ในมือผู้ใช้ที่ไม่มีความชำนาญ
- จ. บำรุงรักษาเครื่องมือไฟฟ้าและอุปกรณ์เสริมต่างๆ ตรวจสอบว่าชิ้นส่วนที่เคลื่อนที่ได้มีการวางในตำแหน่งหรือติดขัดหรือไม่ มีชิ้นส่วนที่แตกหัก และสภาพอื่นใดที่อาจส่งผลกระทบต่อการทำงานของเครื่องมือไฟฟ้าหรือไม่ หากเครื่องมือไฟฟ้าชำรุดเสียหาย ให้นำไปส่งซ่อมก่อนนำมาใช้งาน อุบัติเหตุจำนวนมากเกิดจากการดูแลรักษาเครื่องมือไฟฟ้าไม่เพียงพอ
- ฉ. เครื่องมือตัดตัดต้องคมและสะอาดอยู่เสมอ เครื่องมือตัดที่ได้รับการดูแลรักษาอย่างถูกต้องและมีขอบตัดคม จะมีปัญหาติดขัดน้อย และควบคุมได้ง่ายกว่า

- ช. ใช้เครื่องมือไฟฟ้า อุปกรณ์เสริม และดอกสว่านของเครื่องมือ ฯลฯ ตามข้อปฏิบัติเหล่านี้ โดยพิจารณาถึงสภาพการทำงานและงานที่ทำให้เป็นสำคัญ การใช้เครื่องมือไฟฟ้าทำงานอื่นนอกเหนือจากที่กำหนดไว้อาจทำให้เกิดอันตรายได้
- ซ. หมั่นดูแลให้มือจับและพื้นผิวที่จับนั้นแห้ง สะอาด ปราศจากน้ำมันและจาระบี มือจับและผิวสัมผัสที่ชื้นอาจทำให้เกิดการใช้งานที่ไม่ปลอดภัยและทำให้ไม่สามารถควบคุมเครื่องมือในสถานการณ์คับขันได้อย่างถูกต้อง

#### 5. การบริการ

- ก. ให้ช่างซ่อมที่มีความเชี่ยวชาญเป็นผู้ซ่อมเครื่องมือ และใช้อะไหล่แทนที่เท่านั้น ซึ่งจะช่วยรับประกันได้ว่าเครื่องมือไฟฟ้ายังมีความปลอดภัยอยู่

#### กฎความปลอดภัยเพิ่มเติมเฉพาะเครื่องมือ



**คำเตือน!** ข้อปฏิบัติเพื่อความปลอดภัยสำหรับการใช้งานเครื่องชดกระดาดทราย

- ก. จับเครื่องมือไฟฟ้าตรงพื้นผิวที่มีฉนวนป้องกัน เพราะพื้นผิวชดอาจสัมผัสกับสายไฟของตัวเครื่องเอง งานตัดที่สัมผัสกับสายไฟ “ที่มีไฟฟ้า” อาจทำให้ส่วนของโลหะที่ถูกสัมผัส “มีไฟฟ้า” และทำให้ผู้ใช้เครื่องมือถูกไฟฟ้าช็อตได้
- ข. **คำเตือน!** การสัมผัสหรือสอดดุนผมลงเองที่เกิดจากการชดด้วยกระดาดทรายอาจเป็นอันตรายต่อสุขภาพของผู้ใช้เครื่องมือและผู้ที่เคยผ่านไปมาได้ ให้สวมหมวกกันฝุ่นที่ออกแบบมาเป็นพิเศษสำหรับการป้องกันฝุ่นและควัน และต้องแน่ใจว่าผู้ที่อยู่ภายในพื้นที่ทำงานหรือกำลังเข้าไปในพื้นที่ทำงานมีการป้องกันกันด้วยเช่นกัน
- ค. ชดฝุ่นให้ทั่วบริเวณทั้งหมดหลังจากชดด้วยกระดาดทรายแล้ว
- ง. ให้ความระมัดระวังเป็นพิเศษเมื่อชดสีซึ่งอาจมีส่วนผสมของตะกั่ว หรือเมื่อชดไม้และโลหะซึ่งอาจก่อให้เกิดฝุ่นพิษได้:
  - อย่าให้เด็กหรือสตรีมีครรภ์เข้าไปในพื้นที่ทำงาน
  - ออกรับประทานอาหาร ดื่มน้ำ หรือสูบบุหรี่ในพื้นที่ทำงาน
  - กำจัดเศษฝุ่นและเศษอื่นๆ ทิ้งอย่างปลอดภัย

#### ข้อมูลเพื่อความปลอดภัยเพิ่มเติม



**คำเตือน:** เราขอแนะนำการใช้อุปกรณ์ป้องกันไฟดูดที่มีกระแสฟัดไม่เกิน 30 มิลลิแอมป์

#### ความเสี่ยงอื่นๆ ที่ยังมีอยู่

แม้จะปฏิบัติตามข้อกำหนดด้านความปลอดภัยที่เกี่ยวข้องและใช้อุปกรณ์นิรภัยแล้วก็ตาม แต่ก็ไม่สามารถหลีกเลี่ยงความเสี่ยงบางอย่างได้ ความเสี่ยงเหล่านั้นได้แก่

- ความบกพร่องในการได้ยินเสียง
- ความเสี่ยงที่จะได้รับบาดเจ็บจากเศษชิ้นงานที่ปลิวว่อน



- ความเสี่ยงที่จะเกิดรอยไหม้เนื่องจากอุปกรณ์เสริมที่ร้อนขึ้นในระหว่างการใช้งาน
- ความเสี่ยงที่จะได้รับบาดเจ็บเนื่องจากการใช้งานเป็นเวลานาน
- ความเสี่ยงที่จะได้รับฝุ่นจากสารที่เป็นอันตราย

**ความปลอดภัยทางไฟฟ้า**

เครื่องมือนี้ใช้กับแรงดันไฟฟ้าขนาดเดียวกัน ตรวจสอบให้แน่ใจว่ากำลังไฟของแหล่งจ่ายไฟตรงกับค่าแรงดันไฟฟ้าบนแผ่นแสดงพิกัด



เครื่องมือ Stanley ของคุณมีฉนวนสองชั้น ดังนั้นจึงไม่จำเป็นต้องต่อสายดิน

หากสายไฟชำรุดเสียหาย โปรดส่งไปยังศูนย์บริการของ STANLEY เพื่อเปลี่ยนเป็นสายไฟที่จัดเตรียมมาเป็นพิเศษ

**การใช้สายพ่วง**

ในกรณีที่ต้องใช้สายพ่วง ให้ใช้สายพ่วง 3 ขั้วที่มีการรับรองและเหมาะสมกับปริมาณไฟเข้าของอุปกรณ์ (ดูข้อมูลทางเทคนิค) ขนาดของสายนำไฟฟ้าที่เล็กที่สุดคือ 1.5 ตร.มม. และความยาวสูงสุดอยู่ที่ 30 ม. เมื่อมีการใช้อุปกรณ์แล้วเก็บสายไฟ ให้คลายสายไฟออกจนหมดทุกครั้ง

**สัญลักษณ์บนเครื่องมือ**

นอกเหนือจากสัญลักษณ์ภาพที่ใช้ในคู่มือเล่มนี้แล้ว บนเครื่องมือจะมีสัญลักษณ์ภาพดังต่อไปนี้:

	คำเตือน! เพื่อลดความเสี่ยงต่อการบาดเจ็บ ผู้ใช้ต้องอ่านคู่มือการใช้งานเล่มนี้ก่อนใช้เครื่อง
	สวมแว่นตานิรภัยหรือแว่นครอบตา
	สวมอุปกรณ์ป้องกันเสียงดัง
	สวมหน้ากากกันฝุ่น

V	โวลต์	===	ไฟกระแสดัง
A	แอมแปร์	$\eta_0$	ความเร็วขณะไม่มีโหลด
Hz	เฮิร์ตซ์		โครงสร้างคลาส II
W	วัตต์		สายดิน
min	นาที		สัญลักษณ์เตือนความปลอดภัย
~	ไฟกระแสสลับ	/นาที	รอบการหมุนหรือรอบการทำงานต่อนาที

**ตำแหน่งของรหัสรุ่นที่ (รูป B)**

รหัสรุ่นที่ ซึ่งรวมถึงปีที่ผลิต จะพิมพ์อยู่บนตัวเครื่อง ตัวอย่างเช่น: 2018 XX XX  
ปีที่ผลิตของรายการในบรรจุภัณฑ์

**การใช้สายพ่วง**

หากจำเป็นจะต้องใช้สายพ่วง โปรดใช้สายพ่วงที่ได้มาตรฐานและตรงตามข้อกำหนดจำเพาะสำหรับกำลังไฟเข้าของเครื่องมือ ขนาดพื้นที่หน้าตัดต่ำสุดของสายไฟคือ 1.5 ตร.มม. ควรคลายสายไฟก่อนหมุนเก็บ

พื้นที่หน้าตัดของสายไฟ (ตร.มม.)	กระแสไฟฟ้าตามพิกัดของสายไฟ (แอมแปร์)
0.75	6
1.00	10
1.50	15
2.50	20
4.00	25

ความยาวของสายไฟ (ม.)						
	7.5	15	25	30	45	60

แรงดันไฟฟ้า	แอมแปร์	กระแสไฟฟ้าตามพิกัดของสายไฟ (แอมแปร์)					
		6	6	6	6	10	15
115	0 - 2.0	6	6	6	6	6	10
	2.1 - 3.4	6	6	6	6	15	15
	3.5 - 5.0	6	6	10	15	20	20
	5.1 - 7.0	10	10	15	20	20	25
	7.1 - 12.0	15	15	20	25	25	-
230	12.1 - 20.0	20	20	25	-	-	-
	0 - 2.0	6	6	6	6	6	6
	2.1 - 3.4	6	6	6	6	6	6
	3.5 - 5.0	6	6	6	6	10	15
	5.1 - 7.0	10	10	10	10	15	15
	7.1 - 12.0	15	15	15	15	20	20
	12.1 - 20.0	20	20	20	20	25	-

**ภายในบรรจุภัณฑ์ประกอบด้วย**

- เครื่องขัดกระดาษทราย 1/4 1 เครื่อง
- แผ่นยึดพันธซ์ 1 แผ่น
- ถุงเก็บฝุ่น 1 ใบ
- คู่มือการใช้งาน 1 เล่ม
- ใบรับประกัน 1 ใบ
- รายชื่อบริการ 1 ชุด



- ♦ โปรดตรวจหาร่องรอยความเสียหายของเครื่องมือชิ้นส่วน หรืออุปกรณ์เสริมที่อาจเกิดขึ้นในระหว่างการขนส่ง
- ♦ โปรดอ่านและทำความเข้าใจคู่มือเล่มนี้ก่อนการใช้งาน

## คำอธิบาย (รูป A)



คำเตือน: ห้ามดัดแปลงเครื่องมือไฟฟ้าหรือส่วนประกอบต่างๆ เพราะอาจทำให้เครื่องมือชำรุดหรือผู้ใช้ได้รับบาดเจ็บได้

1. สวิตช์เปิด/ปิด
2. ถูงเก็บฝุ่น
3. ฐานขัด
4. คันโยกหนีบกระดาษทราย
5. แผ่นยึดฟันซี่
6. ปลอกตัวจับถูงเก็บฝุ่น
7. ช่องระบายฝุ่น

## การประกอบและการปรับแต่ง



คำเตือน: ปิดเครื่องมือและถอดปลั๊กออกจากแหล่งจ่ายไฟก่อนทำการปรับตั้ง หรือทำการถอด/ติดตั้งอุปกรณ์ยึดติดหรืออุปกรณ์เสริมใดๆ ทุกครั้ง เพื่อลดความเสี่ยงจากการได้รับบาดเจ็บรุนแรงและปล่อยสวิตช์เพื่อให้อุ่นใจว่าเครื่องมือหยุดก่อนต่อเครื่องมือใหม่อีกครั้ง การผลอบเปิดเครื่องมือโดยไม่ได้ตั้งใจอาจเป็นสาเหตุให้เกิดการบาดเจ็บได้

## การดูดฝุ่น (รูป B)

คำเตือน: เนื่องจากการขัดงานไม่จะทำให้เกิดฝุ่นโปรดติดตั้งถูงเก็บฝุ่นตามท่อออกแบบมาให้ใช้กับเครื่องมือนี้ทุกครั้ง เพื่อให้เป็นไปตามระเบียบเกี่ยวกับการปล่อยฝุ่นละออง

คำเตือน: ห้ามใช้ถูงเก็บฝุ่นหรืออุปกรณ์ดูดฝุ่นโดยไม่มี การป้องกันกการเกิดประกายไฟที่เหมาะสมเมื่อขัดโลหะ เครื่องขัดกระดาษทรายเครื่องมือนี้วิธีการในการเก็บฝุ่น ดังนี้ คือ ช่องระบายฝุ่นในตัวเครื่อง (7) ซึ่งสามารถใช้ เชื่อมต่อกับถูงเก็บฝุ่นที่ใหม่ (2) หรือเชื่อมต่อกับระบบดูดฝุ่นของโรงงาน

## เมื่อต้องการใส่ถูงเก็บฝุ่น

- ♦ ในขณะที่ยึดเครื่องขัดกระดาษทรายไว้ ให้สวมปลอกตัวจับถูงเก็บฝุ่น (6) เข้ากับช่องระบายฝุ่น (7) ตามที่แสดงในรูป C
- ♦ หมุนปลอก (6) ทวนเข็มนาฬิกาเพื่อล็อกถูงเก็บฝุ่น (2) ให้เข้าที่

## หากต้องการเทฝุ่นออกจากถูงเก็บฝุ่น

หมายเหตุ: ตรวจสอบให้แน่ใจว่ามีการสวมอุปกรณ์ป้องกันดวงตาและหน้ากากกันฝุ่นที่ไม่มาตรฐานในขณะที่ดำเนินการขั้นตอนนี้

เพื่อให้การดูดฝุ่นมีประสิทธิภาพ ให้เทเศษฝุ่นออกจากตัวเก็บฝุ่นเมื่อมีปริมาณฝุ่นเต็มอยู่ประมาณหนึ่งในสามส่วน

- ♦ ในขณะที่ยึดเครื่องขัดกระดาษทรายไว้ หมุนปลอก (6) ตามเข็มนาฬิกาเพื่อปลดล็อกถูงเก็บฝุ่น (2)
- ♦ ถอดถูงเก็บฝุ่นออกจากเครื่องขัดกระดาษทรายและค่อยๆ เขย่าหรือเคาะถูงเก็บฝุ่นเบาๆ เพื่อให้สิ่งที่อยู่ข้างในออกมานทั้งหมด
- ♦ ใส่ถูงเก็บฝุ่นกลับเข้าเข้าไปปิดกับช่องระบายแล้ว ล็อกให้เข้าที่โดยการหมุนปลอกตัวจับถูงเก็บฝุ่นตามเข็มนาฬิกา

## การใส่กระดาษทรายธรรมดา (รูป C)

คำเตือน: ตรวจสอบให้แน่ใจว่าเครื่องมือปิดสวิตช์อยู่ และถอดปลั๊กไฟแล้ว

- ♦ ทำให้กระดาษทรายนุ่มลง โดยการถูด้านที่ไม่หยาบเข้ากับขอบของโต๊ะ
- ♦ ยกคันโยกหนีบกระดาษทราย (4) ขึ้น เพื่อปลดคันโยกจากรองยึด และเปิดตัวหนีบกระดาษทราย (4) โดยการกดลง
- ♦ วางแผ่นกระดาษทรายลงบนฐานขัด (3)
- ♦ สอดขอบของกระดาษทรายเข้าไปในตัวหนีบกระดาษด้านหน้า (4) ตามที่แสดง
- ♦ ยกคันโยกของตัวหนีบกระดาษด้านหน้า (4) ขึ้นด้านบน และใส่คันโยกเข้าไปในร่องยึด
- ♦ ดึงกระดาษให้ตึงเล็กน้อย สอดขอบด้านหลังของกระดาษทรายเข้าไปในตัวหนีบด้านหลัง (4)
- ♦ กดคันโยกของตัวหนีบกระดาษด้านหลัง (4) ลง และเลื่อนเข้าไปในร่องยึด

## เมื่อใช้ถูงเก็บฝุ่น ให้ใช้แผ่นยึดฟันซี่ดั่งที่ (รูป D) แสดง เเจาะรูบนกระดาษทราย

- ♦ วางเครื่องมือคว่ำลง
- ♦ วางแผ่นยึดฟันซี่บนกระดาษทรายเพื่อให้ด้านหน้าแผ่นยึดฟันซี่ตรงกับเครื่องมือด้านหน้า ในตำแหน่งที่ถูกต้อง โปรดดู (รูป D)
- ♦ จากนั้นกดแผ่นยึดฟันซี่เพื่อเจาะรูบนกระดาษทราย

คำเตือน: อยาลืมเอาแผ่นยึดฟันซี่ออกก่อนที่จะเปิดใช้เครื่องมือ

## การใช้



คำเตือน: ปล่อยให้เครื่องมือทำงานตามความเร็วของเครื่อง ห้ามใช้งานเกินกำลัง

## การเปิดและปิดเครื่อง

- ♦ เมื่อต้องการเปิดสวิตช์เครื่องมือ ให้กดสวิตช์เปิด/ปิด (1) ไปยังตำแหน่ง "I" ดุที่ (รูป A)
- ♦ เมื่อต้องการปิดสวิตช์เครื่องมือ ให้กดสวิตช์เปิด/ปิด ไปยังตำแหน่ง "O" ดุที่ (รูป A)

## ข้อแนะนำเพื่อให้การใช้งานมีประสิทธิภาพที่สุด (รูป E)

- ♦ อย่าใช้แรงกดเครื่องมือมากเกินไป
- ♦ ตรวจสอบสภาพของกระดาษทรายเป็นประจำ
- ♦ และเปลี่ยนใหม่เมื่อจำเป็น
- ♦ แนะนำให้ขัดไปตามลายไม้
- ♦ เมื่อจะขัดชั้นของสีชั้นใหม่ก่อนจะทาสีอีกชั้น ให้ใช้กระดาษทรายที่มีความละเอียดมาก
- ♦ ในการขัดพื้นผิวที่ไม่สม่ำเสมอ หรือขัดลอกชั้นสี ให้เริ่มด้วยกระดาษทรายหยาบ ส่วนพื้นผิวเรียบอื่น ๆ ให้เริ่มด้วยกระดาษทรายหยาบปานกลาง ทั้งสองกรณี ให้ค่อยๆ เปลี่ยนเป็นกระดาษทรายที่มีความละเอียดเพิ่มขึ้นเพื่อให้ได้ผิวชิ้นงานที่เรียบ
- ♦ สำหรับข้อมูลเพิ่มเติมเกี่ยวกับอุปกรณ์เสริมที่มีจำหน่าย โปรดปรึกษาตัวแทนจำหน่ายของคุณ

### ความเสี่ยงอื่นๆ ที่ยังมีอยู่

ความเสี่ยงอื่นๆ ที่ไม่ได้ระบุในคำเตือนเพื่อความปลอดภัยนี้อาจเกิดขึ้นได้เมื่อใช้เครื่องมือ ความเสี่ยงเหล่านี้ อาจเกิดขึ้นจากการใช้งานอย่างไม่ถูกต้อง การใช้งานเป็นเวลานาน เป็นต้น

แม้ว่าจะปฏิบัติตามข้อกำหนดด้านความปลอดภัยที่เกี่ยวข้อง และใช้อุปกรณ์นิรภัย แต่ความเสี่ยงอื่นๆ ที่ยังมีอยู่บางอย่างก็ไม่สามารถหลีกเลี่ยงได้ ความเสี่ยงเหล่านี้ ได้แก่

- ♦ การบาดเจ็บที่เกิดจากการสัมผัสชิ้นส่วนที่หมุนหรือเคลื่อนที่
- ♦ การบาดเจ็บที่เกิดขึ้นขณะเปลี่ยนชิ้นส่วน ใบมีด หรืออุปกรณ์เสริมต่างๆ
- ♦ การบาดเจ็บที่เกิดจากการใช้เครื่องมือเป็นเวลานาน เมื่อใช้เครื่องมือเป็นระยะเวลานาน ต้องแน่ใจว่าคุณได้หยุดพักเป็นระยะๆ
- ♦ ความบกพร่องในการได้ยินเสียง
- ♦ อันตรายต่อสุขภาพที่เกิดจากการสูดดมฝุ่นจากการใช้เครื่องมือ (ตัวอย่างเช่น การทำงานกับไม้ โดยเฉพาะไม้ไผ่ ไม้บีช และไม้ MDF)

### การบำรุงรักษา

เครื่องมือไฟฟ้า STANLEY ออกแบบมาเพื่อให้สามารถใช้งานได้ยาวนานต่อเนื่องโดยมีการบำรุงรักษาที่น้อยที่สุด การทำงานที่สร้างความพึงพอใจอย่างต่อเนื่องขึ้นอยู่กับ การดูแลรักษาเครื่องมืออย่างเหมาะสมและการทำความสะอาดอย่างสม่ำเสมอ

- ♦ ทำความสะอาดช่องระบายอากาศเครื่องมือของคุณเป็นประจำโดยใช้แปรงขนอ่อนหรือผ้าแห้ง

- ♦ ทำความสะอาดตัวมอเตอร์เป็นประจำโดยใช้ผ้าขุบน้ำบิดหมาด ห้ามใช้น้ำยาทำความสะอาดที่มีฤทธิ์กัดกร่อนหรือมีส่วนผสมของตัวทำละลาย เครื่องมือนี้ผู้ใช้ไม่สามารถซ่อมเองได้ หากมีข้อสงสัยใดๆ เกิดขึ้นโปรดติดต่อศูนย์ซ่อมที่ได้รับอนุญาต



### การหลอ่ลน

ไม่จำเป็นต้องใช้การหลอ่ลนเพิ่มเติมกับเครื่องมือไฟฟ้านี้



### การทำความสะอาด



**คำเตือน:** หมั่นเป่าสิ่งสกปรกและฝุ่นละอองที่สะสมออกจากตัวเครื่องเป็นประจำด้วยลมแรง เนื่องจากสิ่งสกปรกมักสะสมอยู่ภายในและโดยรอบช่องระบายอากาศ สวมอุปกรณ์ป้องกันดวงตาและหน้ากากกันฝุ่นที่ได้มาตรฐานในขณะดำเนินการขั้นตอนนี้



**คำเตือน:** ห้ามใช้สารที่เป็นตัวทำละลายหรือสารเคมีที่มีฤทธิ์กัดกร่อนรุนแรงอื่นๆ ทำความสะอาดชิ้นส่วนที่ไม่ใช่โลหะของเครื่องมือ สารเคมีเหล่านี้ อาจส่งผลต่อวัสดุที่ใช้ในชิ้นส่วนเหล่านี้ ใช้เฉพาะผ้าขนนุ่มสำล่อนๆ เท่านั้น อย่าให้มีของเหลวใดๆ เข้าไปในเครื่องมือเด็ดขาด ห้ามจุ่มส่วนใดๆ ของเครื่องมือลงในของเหลวเด็ดขาด

การซ่อมแซม การตรวจสอบและการปรับปรุงถ่าน การบำรุงรักษาหรือการปรับเปลี่ยนใดๆ ควรกระทำโดยศูนย์บริการของ STANLEY โดยใช้อะไหล่ของ Stanley เท่านั้น เพื่อรักษาความปลอดภัยและความเชื่อถือได้ของเครื่องมือ

### อุปกรณ์เสริม



**คำเตือน:** เนื่องจากอุปกรณ์เสริมอื่นซึ่งนอกเหนือจากที่ STANLEY มีจำหน่าย ไม่ได้ผ่านการทดสอบร่วมกับผลิตภัณฑ์นี้ จึงอาจเป็นอันตรายหากใช้อุปกรณ์เสริมดังกล่าวร่วมกับเครื่องมือนี้ เพื่อเป็นการลดความเสี่ยงจากการได้รับบาดเจ็บ ให้ใช้อุปกรณ์เสริมเฉพาะที่ STANLEY แนะนำให้ใช้ร่วมกับผลิตภัณฑ์เหล่านี้

โปรดติดต่อตัวแทนจำหน่ายหากต้องการข้อมูลเพิ่มเติมเกี่ยวกับอุปกรณ์เสริมที่เหมาะสม

### การปกป้องสิ่งแวดล้อม



การเก็บรวบรวมแบบคัดแยก ห้ามทิ้งผลิตภัณฑ์นี้ร่วมกับขยะทั่วไปในครัวเรือน

หากคุณเห็นว่าจำเป็นต้องเปลี่ยนผลิตภัณฑ์ STANLEY ของคุณ หรือเครื่องมือนี้ไม่เป็นประโยชน์สำหรับคุณอีกต่อไป อย่าทิ้งผลิตภัณฑ์นี้ร่วมกับขยะในครัวเรือน โปรดคัดแยกเพื่อนำไปรีไซเคิลแยกประเภท



เราจะสามารถนำวัสดุมารีไซเคิลและใช้งานได้อีกครั้ง หากบรรจุภัณฑ์และผลิตภัณฑ์ที่ใช้แล้วได้รับการเก็บรวบรวมแบบคัดแยก การนำวัสดุรีไซเคิลมาใช้อีกครั้งจะช่วยป้องกันมลพิษต่อสิ่งแวดล้อมและลดความต้องการวัตถุดิบ

### หมายเหตุ

เนื่องจาก STANLEY มีนโยบายพัฒนาปรับปรุงผลิตภัณฑ์อย่างต่อเนื่อง ดังนั้นเราจึงขอสงวนสิทธิ์ในการเปลี่ยนแปลงข้อมูลจำเพาะของผลิตภัณฑ์โดยไม่แจ้งให้ทราบล่วงหน้า อุปกรณ์มาตรฐานและอุปกรณ์เสริมอาจแตกต่างกันในแต่ละประเทศ

ข้อมูลจำเพาะของผลิตภัณฑ์อาจแตกต่างกันในแต่ละประเทศ

ตัวเลือกผลิตภัณฑ์อาจมีจำหน่ายไม่ครบทุกรายการในบางประเทศ โปรดสอบถามรายละเอียดเกี่ยวกับตัวเลือกผลิตภัณฑ์จากตัวแทนจำหน่าย STANLEY ในประเทศของคุณ

### ข้อมูลการบริการ

STANLEY ให้บริการเครือข่ายศูนย์บริการของบริษัทเองและ/หรือศูนย์ฯ ที่ได้รับการรับรองเต็มรูปแบบทั่วประเทศของคุณ ศูนย์บริการ STANLEY ทุกแห่งมีพนักงานที่ผ่านการฝึกอบรมเพื่อให้บริการเกี่ยวกับเครื่องมือไฟฟ้าได้อย่างมีประสิทธิภาพและเชื่อถือได้ ไม่ว่าคุณจะต้องการคำแนะนำด้านเทคนิค การซ่อมแซม หรืออะไหล่แท้จากโรงงาน โปรดติดต่อศูนย์ STANLEY ใกล้บ้านคุณ

### ข้อมูลด้านเทคนิค

เครื่องขัด	SS24				
กระดานทราย 1/4					
แรงดันไฟฟ้า	โวลต์ <sub>AC</sub>	B1/XD	KR	A9	TW
		220~240	220	220	110
ความถี่	Hz	50-60	60	50	60
กำลังไฟเข้า	W		240		
อัตราการหมุน (ไม่มีโหลด)	รอบต่อนาที		16000		
พื้นที่ผิวฐานทราย	มม.		110x104		
น้ำหนัก	กก.		1.1		

**MỤC ĐÍCH SỬ DỤNG**

Máy chà nhám tẩm 1/4 STANLEY SS24 được thiết kế để chà gỗ, kim loại, nhựa và các bề mặt sơn. Đây là máy chuyên dụng.

**HƯỚNG DẪN AN TOÀN**

Các định nghĩa dưới đây mô tả mức độ nghiêm trọng của từng từ ký hiệu. Vui lòng đọc sổ hướng dẫn sử dụng và chú ý đến các biểu tượng này.



**NGUY HIỂM:** Chỉ tình huống nguy hiểm sắp xảy ra sẽ gây tử vong hoặc chấn thương nghiêm trọng nếu không phòng tránh.



**CẢNH BÁO:** Chỉ tình huống nguy hiểm tiềm ẩn có thể gây tử vong hoặc chấn thương nghiêm trọng nếu không phòng tránh.



**THẬN TRỌNG:** Chỉ tình huống nguy hiểm tiềm ẩn có thể gây chấn thương nhẹ hoặc vừa nếu không phòng tránh.

**LƯU Ý:** Chỉ hành động không liên quan đến chấn thương cá nhân có thể gây hư hỏng tài sản nếu không phòng tránh.



Biểu thị nguy cơ bị điện giật.



Biểu thị nguy cơ hỏa hoạn.



Cảnh báo: Để giảm nguy cơ chấn thương, hãy đọc sổ hướng dẫn sử dụng.

**Cảnh báo chung về an toàn cho máy điện cầm tay**



**CẢNH BÁO!** Đọc kỹ mọi cảnh báo an toàn, hướng dẫn, hình minh họa và thông số kỹ thuật kèm theo máy điện cầm tay này. Việc

không tuân thủ mọi hướng dẫn được liệt kê bên dưới có thể dẫn đến điện giật, cháy và/hoặc chấn thương nghiêm trọng.

**Lưu giữ mọi cảnh báo và hướng dẫn để tham khảo sau này**

Thuật ngữ “máy điện cầm tay” trong các cảnh báo đề cập đến máy điện cầm tay chạy bằng điện nguồn (có dây) hoặc máy điện cầm tay chạy bằng pin (không dây).

**1. An toàn tại khu vực làm việc**

- a. **Giữ cho khu vực làm việc sạch sẽ và đủ ánh sáng.** Những khu vực bừa bộn hoặc thiếu ánh sáng dễ gây tai nạn.

- b. **Không vận hành máy điện cầm tay trong các môi trường dễ cháy nổ, chẳng hạn như khi có chất lỏng, khí hoặc bụi dễ cháy.** Máy điện cầm tay tạo ra các tia lửa điện có thể gây cháy bụi hoặc bốc khói.
- c. **Không cho trẻ em và người quan sát lại gần khi đang vận hành máy điện cầm tay.** Những lúc xao lãng có thể khiến bạn mất kiểm soát.

**2. An toàn điện**

- a. **Phích điện của máy điện cầm tay phải vừa với ổ cắm. Không được sửa đổi phích điện dưới bất kỳ hình thức nào. Không được sử dụng các phích chuyển đổi với máy điện cầm tay có nối đất (tiếp đất).** Phích điện chưa sửa đổi và ổ cắm phù hợp sẽ giúp giảm nguy cơ bị điện giật.
- b. **Tránh cơ thể tiếp xúc với các bề mặt được nối hoặc tiếp đất như đường ống, lò sưởi, bếp nướng và tủ lạnh.** Nguy cơ bị điện giật sẽ cao hơn nếu cơ thể bạn được nối hoặc tiếp đất.
- c. **Không để các máy điện cầm tay ngoài trời mưa hoặc ở nơi ẩm ướt.** Nước thâm nhập vào máy điện cầm tay sẽ làm tăng nguy cơ bị điện giật.
- d. **Không dùng dây điện sai mục đích. Tuyệt đối không sử dụng dây điện để mang, kéo hoặc rút phích cắm máy điện cầm tay. Để dây điện cách xa nguồn nhiệt, dầu mỡ, các cạnh sắc hoặc bộ phận chuyển động.** Dây điện bị hỏng hoặc bị vướng sẽ làm tăng nguy cơ bị điện giật.
- e. **Khi vận hành máy điện cầm tay ngoài trời, hãy sử dụng dây nối dài phù hợp với mục đích sử dụng ngoài trời.** Sử dụng dây điện phù hợp với mục đích sử dụng ngoài trời sẽ giúp giảm nguy cơ bị điện giật.
- f. **Nếu bắt buộc phải vận hành máy điện cầm tay ở nơi ẩm ướt, hãy sử dụng nguồn điện được bảo vệ bởi thiết bị ngắt mạch tự động (RCD).** Sử dụng RCD giúp giảm nguy cơ bị điện giật.

**3. An toàn cá nhân**

- a. **Hãy cảnh giác, chú ý vào những gì bạn đang làm và tỉnh táo khi vận hành máy điện cầm tay. Không được dùng máy điện cầm tay khi bạn đang mệt hoặc đang bị ảnh hưởng bởi ma túy, rượu hoặc thuốc.** Chỉ một khoảnh khắc mất tập trung trong khi vận hành máy điện cầm tay cũng có thể dẫn đến chấn thương cá nhân nghiêm trọng.
- b. **Sử dụng thiết bị bảo hộ cá nhân. Luôn đeo kính bảo hộ.** Thiết bị bảo hộ như mặt nạ chống bụi, giày chống trượt, mũ cứng hoặc thiết bị bảo vệ tai, được sử dụng ở những điều kiện phù hợp, sẽ giúp giảm các chấn thương cá nhân.

- c. **Tránh vô tình bật máy. Đảm bảo công tắc nằm ở vị trí tắt trước khi nối với nguồn điện và/ hoặc pin, khi cầm hoặc mang máy.** Việc cầm máy điện cầm tay với ngón tay đặt vào công tắc hoặc sạc pin cho máy điện cầm tay với công tắc đang bật có thể gây ra tai nạn.
- d. **Hãy tháo hết khóa điều chỉnh hoặc chìa vận trước khi bật máy điện cầm tay.** Chìa vận hoặc khóa còn lại gắn với bộ phận quay của máy điện cầm tay có thể dẫn đến chấn thương cá nhân.
- e. **Không được với tay quá xa. Hãy đứng ở tư thế thích hợp và luôn giữ thăng bằng.** Điều này giúp kiểm soát máy điện cầm tay tốt hơn trong các tình huống bất ngờ.
- f. **Mặc quần áo phù hợp. Không mặc quần áo rộng hoặc đeo đồ trang sức. Giữ cho tóc và quần áo tránh xa các bộ phận chuyển động.** Quần áo rộng, đồ trang sức hoặc tóc dài có thể bị mắc vào các bộ phận chuyển động.
- g. **Nếu các thiết bị được cung cấp để kết nối các phương tiện hút hoặc gom bụi, phải đảm bảo những thiết bị này được kết nối và sử dụng đúng cách.** Sử dụng thiết bị gom bụi có thể giảm các nguy cơ liên quan đến bụi.
- h. **Không nên tự mãn vì đã dùng thành thạo máy mà bỏ qua các nguyên tắc an toàn của máy.** Một hành động bất cẩn cũng có thể gây ra thương tích nghiêm trọng trong tích tắc.

**4. Sử dụng và bảo dưỡng máy điện cầm tay**

- a. **Không tác động mạnh lên máy điện cầm tay. Dùng máy điện cầm tay phù hợp cho từng mục đích sử dụng.** Máy điện cầm tay phù hợp sẽ giúp bạn làm việc hiệu quả và an toàn hơn theo đúng tốc độ được thiết kế.
- b. **Không dùng máy điện cầm tay nếu công tắc không bật và tắt được.** Mọi máy điện cầm tay không điều khiển được bằng tay một cách tinh cở. nguy hiểm và cần phải sửa chữa.
- c. **Rút phích cắm khỏi nguồn điện và/hoặc tháo pin ra nếu có thể tháo rời khỏi máy điện cầm tay, trước khi thực hiện các điều chỉnh, thay đổi phụ kiện hoặc cất giữ máy điện cầm tay.** Các biện pháp an toàn phòng ngừa đó giúp giảm nguy cơ khởi động máy điện cầm tay một cách tình cờ.
- d. **Cất giữ các máy điện cầm tay không sử dụng xa tầm tay trẻ em và không cho phép những người không quen với máy điện cầm tay hoặc các hướng dẫn này vận hành máy điện cầm tay.** Máy điện cầm tay rất nguy hiểm đối với những người dùng chưa được huấn luyện.
- e. **Bảo trì các phụ kiện và máy điện cầm tay. Kiểm tra các bộ phận di chuyển xem có bị lắp**

- lệch hoặc kẹt không, các bộ phận có bị vỡ không và bất kỳ tình trạng nào khác có thể ảnh hưởng đến việc vận hành máy điện cầm tay. Nếu máy điện cầm tay bị hỏng, hãy sửa chữa trước khi sử dụng.** Rất nhiều tai nạn xảy ra do các máy điện cầm tay được bảo trì kém.
- f. **Đảm bảo các dao cắt luôn sắc và sạch sẽ.** Các dao cắt được bảo trì đúng cách với cạnh cắt sắc bén sẽ ít bị kẹt hơn và cũng dễ điều khiển hơn.
- g. **Sử dụng máy điện cầm tay, các phụ kiện và mũi khoan, v.v.. theo hướng dẫn này, chú ý đến các điều kiện làm việc và công việc cần thực hiện.** Dùng máy điện cầm tay sai mục đích có thể gây ra tình huống nguy hiểm.
- h. **Giữ các tay cầm và bề mặt cầm nắm luôn khô ráo, sạch sẽ và không dính dầu mỡ.** Các tay cầm và bề mặt cầm nắm trơn trượt không cho phép xử lý và kiểm soát máy an toàn trong những tình huống bất ngờ.

**5. Bảo dưỡng**

- a. **Hãy để nhân viên bảo dưỡng có chuyên môn tiến hành bảo dưỡng máy điện cầm tay cho bạn và chỉ sử dụng các linh kiện thay thế chính hãng.** Điều này giúp đảm bảo duy trì được độ an toàn của máy điện cầm tay.

**CÁC QUY TẮC AN TOÀN CỤ THỂ BỔ SUNG**



**CẢNH BÁO!** Hướng dẫn an toàn về máy chà nhám

- a. **Cầm máy ở phần bề mặt tay cầm cách điện vì bề mặt chà có thể chạm vào dây điện của máy.** Cát phải dây "có điện" có thể khiến các bộ phận kim loại của máy "nhiễm điện" và khiến người vận hành bị điện giật.
- b. **Cảnh báo!** Tiếp xúc hoặc hít phải bụi sinh ra trong quá trình chà nhám có thể gây nguy hiểm tới sức khỏe của người vận hành và những người xung quanh. Hãy đeo mặt nạ chống bụi được thiết kế riêng để chống bụi và khởi động khi phải đảm bảo rằng những cá nhân trong khu vực làm việc đều được bảo vệ.
- c. **Phải toàn bộ bụi sau khi chà nhám đi.**
- d. **Đặc biệt chú ý khi chà nhám sơn chứa chì hoặc khi chà nhám một số loại gỗ và kim loại có thể sinh ra bụi độc:**
  - Không cho trẻ em hoặc phụ nữ mang thai vào khu vực làm việc.
  - Không được ăn, uống hoặc hút thuốc trong khu vực làm việc.
  - Thải bỏ bụi và các mảnh vụn khác ở nơi an toàn.

**Thông tin an toàn bổ sung**



**CẢNH BÁO:** Bạn nên sử dụng thiết bị ngắt mạch tự động có công suất dòng điện dư từ 30mA trở xuống.

**CÁC NGUY CƠ KHÁC**

Cho dù áp dụng các quy định an toàn liên quan và thực hiện các thiết bị an toàn, bạn cũng không thể tránh khỏi một số nguy cơ khác. Chúng bao gồm:

- Mất thính giác
- Nguy cơ chấn thương cá nhân do các phân tử bay vào người.
- Nguy cơ bị bỏng do các phụ kiện trở nên nóng trong khi vận hành.
- Nguy cơ chấn thương cá nhân do sử dụng trong một thời gian dài.
- Nguy cơ hít phải bụi từ các chất nguy hại.

**AN TOÀN ĐIỆN**

Máy chỉ hoạt động ở một mức điện áp. Nhớ kiểm tra xem nguồn điện có phù hợp với điện áp trên bảng công suất hay không.



Máy chà nhám Stanley được trang bị công nghệ cách điện kép, do đó không cần phải nối đất.

Khi dây điện bị hỏng, hãy gửi tới trung tâm bảo hành của STANLEY để được thay thế bằng dây điện đặc biệt có sẵn.





**SỬ DỤNG DÂY ĐIỆN NỐI DÀI**

Nếu cần dùng dây điện nối dài, hãy sử dụng loại dây 3 lõi được chấp nhận phù hợp với công suất đầu vào của máy (xem phần **Thông số kỹ thuật**). Kích thước dây dẫn tối thiểu là 1,5 mm<sup>2</sup>; chiều dài tối đa là 30 m.

Khi sử dụng lõi quấn dây điện, luôn trải hết dây ra.

**KÝ HIỆU TRÊN MÁY**

Ngoài các biểu tượng dùng trong sổ hướng dẫn sử dụng, trên máy còn có các ký hiệu sau:

	<b>CẢNH BÁO!</b> Để giảm nguy cơ chấn thương, người dùng phải đọc hướng dẫn sử dụng.
	Đeo kính bảo hộ.
	Đeo thiết bị bảo vệ tai.
	Đeo mặt nạ chống bụi.

V	Vôn	≡	Dòng Một chiều
A	Ampe	n <sub>0</sub>	Tốc độ không tải
Hz	Hertz	□	Thiết kế cách điện kép
W	Watt	⊕	Dây nối đất
phút	phút	⚠	Biểu tượng cảnh báo an toàn
~	Dòng điện xoay chiều	/ph	Số vòng quay hoặc số lần qua lại mỗi phút

**Vị trí mã ngày (Hình B)**

Mã ngày, bao gồm cả năm sản xuất, được in trên vỏ máy.

Ví dụ: 2018 XX XX

Năm sản xuất Thiết bị trong thùng đựng

**SỬ DỤNG DÂY ĐIỆN NỐI DÀI**

Nếu cần sử dụng dây nối dài, vui lòng sử dụng loại được phê duyệt phù hợp với thông số công suất đầu vào của máy. Tiết diện tối thiểu của dây dẫn là 1,5 mm<sup>2</sup>. Phải gỡ những đoạn dây bị rối trước khi cuộn vào ống.

Diện tích mặt cắt ngang của dây (mm <sup>2</sup> )	Dòng điện định mức của dây (Ampe)
0,75	6
1,00	10
1,50	15
2,50	20
4,00	25

Chiều dài dây (m)						
	7,5	15	25	30	45	60

Điện áp	Ampe	Dòng điện định mức của dây (Ampe)					
		6	6	6	6	6	10
115	0 - 2,0	6	6	6	6	6	10
	2,1 - 3,4	6	6	6	6	15	15
	3,5 - 5,0	6	6	10	15	20	20
	5,1 - 7,0	10	10	15	20	20	25
230	7,1 - 12,0	15	15	20	25	25	-
	12,1 - 20,0	20	20	25	-	-	-
	0 - 2,0	6	6	6	6	6	6
	2,1 - 3,4	6	6	6	6	6	6
	3,5 - 5,0	6	6	6	6	10	15
	5,1 - 7,0	10	10	10	10	15	15
	7,1 - 12,0	15	15	15	15	20	20
	12,1 - 20,0	20	20	20	20	25	-

## THÙNG DỰNG CHỮA

1 Máy chà nhám 1/4

1 Tấm dập lỗ

1 Túi chứa bụi

1 Sổ hướng dẫn sử dụng

1 Thẻ bảo hành

1 Danh sách trung tâm bảo hành

- ♦ Kiểm tra máy, các bộ phận hoặc phụ kiện xem có bị hư hỏng do quá trình vận chuyển hay không.
- ♦ Dành thời gian đọc kỹ và hiểu rõ hướng dẫn sử dụng trước khi vận hành máy.

### Mô tả (hình A)



**CẢNH BÁO:** Không được sửa đổi máy điện cầm tay hoặc bất kỳ bộ phận nào liên quan. Điều này có thể làm hỏng máy hoặc gây chấn thương cá nhân.

1. Công tắc bật/tắt
2. Túi chứa bụi
3. Đế chà nhám
4. Cản kẹp giấy ráp
5. Tấm dập lỗ
6. Vòng kẹp túi chứa bụi
7. Cửa xả bụi

## LẮP RÁP VÀ ĐIỀU CHỈNH



**CẢNH BÁO:** Để giảm nguy cơ chấn thương cá nhân nghiêm trọng, hãy tắt máy và ngắt điện trước khi thực hiện bất kỳ điều chỉnh nào hoặc tháo/lắp các đồ gá hay phụ kiện. Trước khi kết nối lại máy, hãy ấn và nhả công tắc khởi động để đảm bảo máy đã tắt. Việc vô tình khởi động có thể gây ra chấn thương.

### Hút bụi (Hình B)

**CẢNH BÁO:** Vì việc chà nhám gỗ bằng máy chà nhám sản sinh ra bụi, luôn lắp túi chứa bụi được thiết kế phù hợp với các quy định hiện hành về phát thải bụi.

**CẢNH BÁO:** Không sử dụng túi chứa bụi hoặc máy hút bụi chân không mà không có tấm chắn tia lửa phù hợp khi chà nhám kim loại.

Máy chà nhám của bạn có hai phương pháp hút bụi: cửa xả bụi tích hợp (7) để lắp túi chứa bụi được cung cấp (2) hoặc hệ thống hút bụi chân không.

### ĐỂ LẮP TÚI CHỨA BỤI

- ♦ Trong khi cầm máy chà nhám, hãy lắp vòng kẹp túi chứa bụi (6) vào cửa xả (7) như được minh họa trong Hình C.
- ♦ Xoay vòng kẹp (6) ngược chiều kim đồng hồ để khóa chặt túi chứa bụi (2).

### ĐÓ HẾT BỤI TRONG TÚI CHỨA BỤI RA

**LƯU Ý:** Đảm bảo đeo kính bảo hộ và mặt nạ chống bụi được phê duyệt khi thực hiện quy trình này.

Để hút bụi hiệu quả, hãy đổ sạch túi gom bụi khi túi đầy khoảng một phần ba.

- ♦ Trong khi giữ máy chà nhám, xoay vòng kẹp (6) theo chiều kim đồng hồ để mở khóa túi chứa bụi (2).
- ♦ Tháo túi chứa bụi ra khỏi máy chà nhám rồi nhẹ nhàng lắc hoặc gõ túi để đổ hết bụi.
- ♦ Lắp lại túi chứa bụi vào cửa xả rồi khóa chặt bằng cách xoay vòng kẹp túi chứa bụi theo chiều kim đồng hồ.

### LẮP GIẤY RÁP THÔNG THƯỜNG (HÌNH C)

**CẢNH BÁO:** Đảm bảo đã tắt và rút phích nguồn của máy.

- ♦ Làm mềm giấy ráp bằng cách chà mặt không mòn của giấy lên cạnh của mặt bàn.
- ♦ Nâng cản kẹp giấy ráp (4) lên trên để nhả cản ra khỏi khe giữ và mở kẹp giấy (4) bằng cách ấn xuống.
- ♦ Đặt giấy ráp lên đế chà nhám (3).
- ♦ Đặt cạnh của giấy ráp vào kẹp giấy phía trước (4) như trong hình vẽ.
- ♦ Nâng cản kẹp giấy phía trước (4) lên và đặt vào khe giữ.
- ♦ Vừa căng nhẹ giấy ráp vừa đặt cạnh sau của giấy vào kẹp giấy phía sau (4).
- ♦ Ấn cản kẹp giấy phía sau (4) xuống dưới và đặt vào khe giữ.

### KHI DÙNG TÚI CHỨA BỤI, HÃY SỬ DỤNG TẤM DẬP LỖ NHƯ TRONG HÌNH (HÌNH D) . DẬP LỖ LÊN MẶT GIẤY RÁP.

- ♦ Đặt máy úp xuống dưới.
- ♦ Đặt tấm dập lỗ lên mặt giấy ráp sao cho mặt trước của tấm dập lỗ cùng chiều với chiều của máy. Vui lòng xem (Hình D) để biết cách đặt chính xác.
- ♦ Sau đó nhấn tấm dập lỗ để dập lỗ trên mặt giấy ráp.

**CẢNH BÁO:** Hãy nhớ tháo tấm dập lỗ trước khi vận hành máy.



**SỬ DỤNG**



**CẢNH BÁO:** Đảm bảo máy làm việc ở tốc độ cho phép. Không được chạy quá tải.

**Bật và tắt**

- ◆ Để bật máy, ấn công tắc bật/tắt (1) sang vị trí "I", xem (Hình A).
- ◆ Để tắt máy, ấn công tắc bật/tắt sang vị trí "O", xem (Hình A).

**Gợi ý để sử dụng tối ưu (Hình E)**

- ◆ Không tác dụng lực quá mạnh lên máy.
- ◆ Thường xuyên kiểm tra tình trạng đĩa chà nhám.
- ◆ Thay thế khi cần thiết.
- ◆ Tốt hơn nên chà dọc thớ gỗ.
- ◆ Khi chà một lớp sơn mới trước khi phủ một lớp khác, hãy sử dụng thêm tấm chà mịn.
- ◆ Trên các bề mặt không bằng phẳng, hoặc khi chà các lớp sơn đi, ban đầu hãy sử dụng một tấm chà thô. Trên các bề mặt khác, hãy từ từ thay đổi sang dùng tấm chà mịn để hoàn thiện.
- ◆ Hỏi nhà bán lẻ để biết thêm thông tin chi tiết về các phụ kiện được cung cấp.

**Các nguy cơ khác**

Các nguy cơ khác có thể phát sinh khi sử dụng máy có thể không được đề cập trong các cảnh báo an toàn đính kèm. Những nguy cơ này có thể phát sinh từ việc sử dụng sai mục đích và trong một thời gian dài, v.v...

Ngay cả khi áp dụng các quy định an toàn liên quan và thực hiện các thiết bị an toàn, bạn cũng không thể tránh khỏi một số nguy cơ khác. Những nguy cơ này gồm:

- ◆ Chấn thương do chạm vào bất kỳ bộ phận đang quay/chuyển động nào.
- ◆ Chấn thương do thay đổi bất kỳ bộ phận, lưới cửa hay phụ kiện nào.
- ◆ Chấn thương do sử dụng máy cửa trong một thời gian dài. Khi sử dụng bất kỳ máy cửa nào trong một khoảng gian dài, bạn phải đảm bảo nghỉ giải lao thường xuyên.
- ◆ Suy giảm thính lực.
- ◆ Các mối nguy hại cho sức khỏe do hít phải nhiều bụi khi sử dụng thiết bị (chẳng hạn:- làm việc với gỗ, đặc biệt là gỗ sồi, gỗ dẻ gai và gỗ ép.)

**BẢO TRÌ**

Máy điện cầm tay của STANLEY được thiết kế để vận hành trong thời gian dài và ít phải bảo trì nhất. Máy có thể vận hành liên tục nếu được bảo quản đúng cách và vệ sinh thường xuyên.

- ◆ Thường xuyên lau chùi các khe thông gió trong máy bằng chổi mềm hoặc khăn khô.
- ◆ Thường xuyên lau chùi vỏ động cơ bằng khăn ẩm. Không dùng chất tẩy rửa có chứa dung môi hay chất mài mòn. Người dùng không được tự ý bảo trì máy. Nếu xảy ra sự cố, hãy liên hệ với đại lý sửa chữa được ủy quyền.



**Tra dầu**

Máy điện cầm tay không cần tra thêm dầu.



**Vệ sinh**



**CẢNH BÁO:** Thường xuyên thổi bụi bằng khí khô vào máy khi thấy bám bụi xung quanh các khe thông gió. Đeo kính bảo hộ và mặt nạ chống bụi được phê duyệt khi thực hiện quy trình này.



**CẢNH BÁO:** Tuyệt đối không sử dụng các dung môi và hóa chất thô để vệ sinh các bộ phận không làm bằng kim loại của máy. Các hóa chất có thể làm tổn hại đến các nguyên vật liệu sử dụng trong các bộ phận này.

Chỉ sử dụng khăn được làm ẩm bằng nước và xà phòng có tính tẩy nhẹ. Tuyệt đối không để chất lỏng lọt vào bên trong máy; không được ngâm các bộ phận của máy vào chất lỏng.

Để duy trì sản phẩm hoạt động AN TOÀN và LÂU BỀN, việc sửa chữa, kiểm tra và thay thế chổi than, cũng như bất kỳ sự bảo trì hoặc điều chỉnh nào khác phải được thực hiện bởi Trung tâm Bảo hành STANLEY và luôn sử dụng các bộ phận thay thế của Stanley.

**PHỤ KIỆN TỰ CHỌN**



**CẢNH BÁO:** Vì các phụ kiện, ngoài các phụ kiện do STANLEY cung cấp, chưa được kiểm tra với sản phẩm này nên việc sử dụng chúng cùng với máy có thể gây nguy hiểm. Để giảm nguy cơ chấn thương, chỉ được sử dụng các phụ kiện do STANLEY khuyến nghị cho sản phẩm này.

Hỏi ý kiến đại lý bạn để biết thêm thông tin về các phụ kiện phù hợp.



**BẢO VỆ MÔI TRƯỜNG**

Thu gom riêng. Không được vứt bỏ sản phẩm với rác thải sinh hoạt thông thường.

Nếu sản phẩm STANLEY của bạn cần phải thay thế, hoặc bạn không sử dụng trong tương lai nữa, không được vứt bỏ sản phẩm cùng với rác thải gia đình. Hãy phân loại chúng để tái chế riêng.



Thu gom riêng sản phẩm và bao bì đã qua sử dụng sẽ cho phép tái chế và tái sử dụng vật liệu. Tái sử dụng vật liệu tái chế giúp ngăn chặn ô nhiễm môi trường và giảm nhu cầu vật liệu thô.

**LƯU Ý**

Chính sách của STANLEY không ngừng cải thiện với các sản phẩm và do đó, chúng tôi có quyền thay đổi thông số kỹ thuật sản phẩm mà không cần báo trước.

Các thiết bị và phụ kiện chuẩn có thể khác nhau tùy theo từng quốc gia.

Thông số kỹ thuật của sản phẩm có thể khác nhau tùy theo từng quốc gia.

Danh mục sản phẩm hoàn chỉnh có thể không có mặt tại tất cả các quốc gia. Liên hệ với các đại lý của STANLEY tại quốc gia bạn để được cung cấp danh mục sản phẩm.

**THÔNG TIN DỊCH VỤ**

STANLEY có sẵn một mạng lưới các đại lý bảo dưỡng trực thuộc và/hoặc được ủy quyền trên khắp quốc gia của bạn. Tất cả các Trung tâm dịch vụ STANLEY đều có đội ngũ nhân viên lành nghề để cung cấp tới khách hàng dịch vụ hiệu quả và đáng tin cậy. Khi cần tư vấn kỹ thuật, sửa chữa hoặc phụ kiện thay thế chính hãng, liên hệ với STANLEY gần bạn nhất.

**THÔNG SỐ KỸ THUẬT****MÁY CHÀ NHÁM 1/4****SS24**

Điện áp	V <sub>AC</sub>	B1/XD	KR	A9	TW
		220~240	220	220	110
Tần số	Hz	50-60	60	50	60
Công suất đầu vào	W		240		
Số vòng (không tải)	phút <sup>-1</sup>		16000		
Bề mặt để chà nhám	mm		110x104		
Trọng lượng	kg		1.1		





