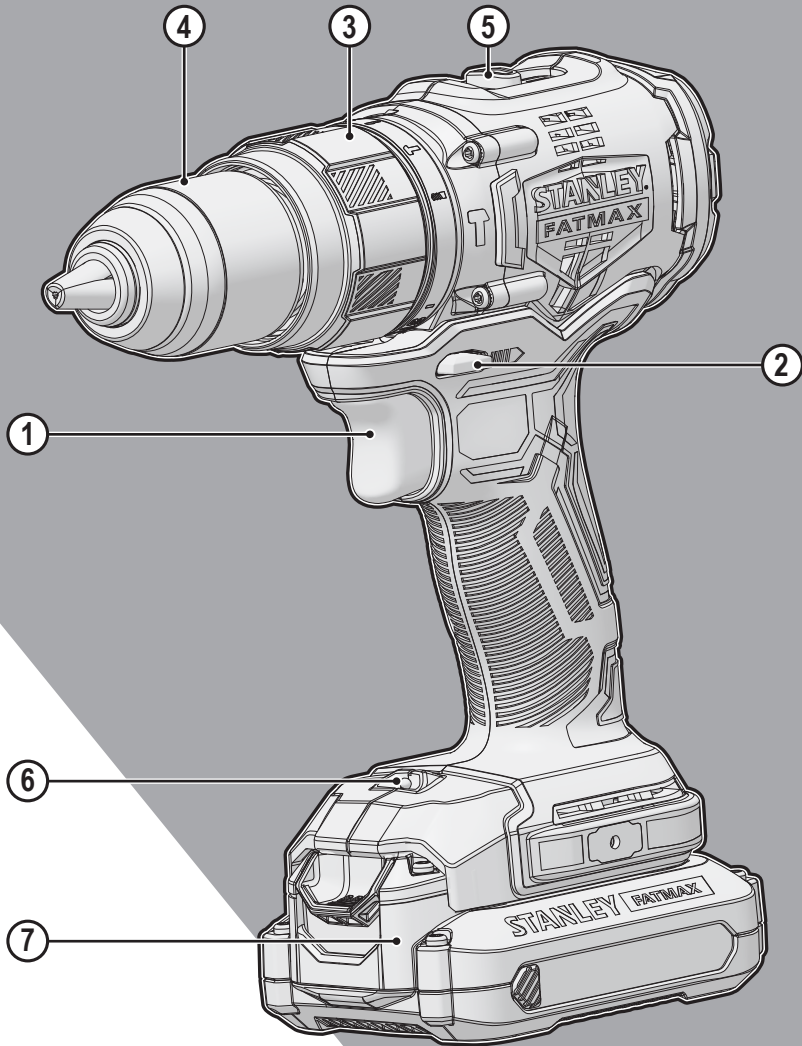


STANLEY
FATMAX

V20
LITHIUM ION

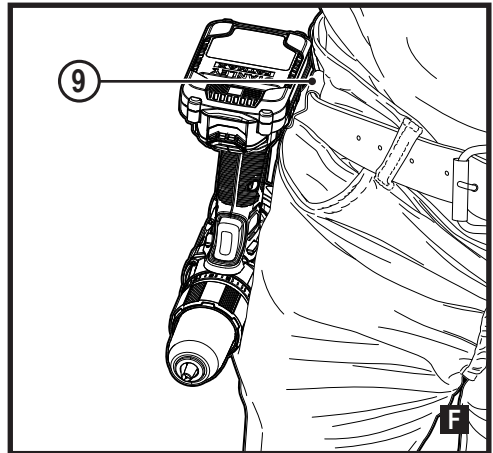
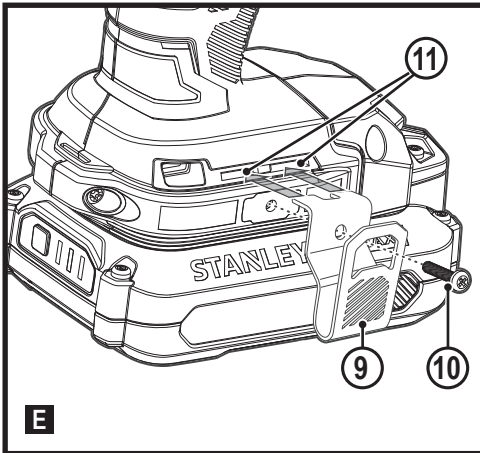
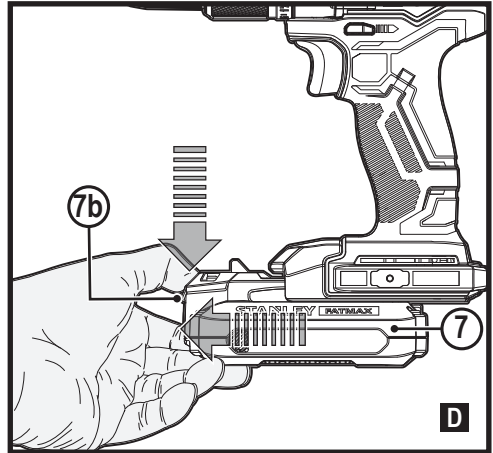
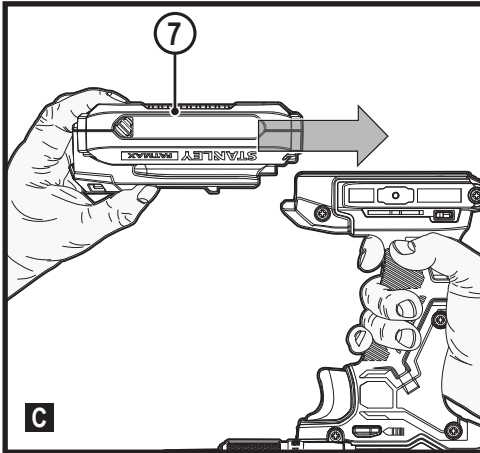
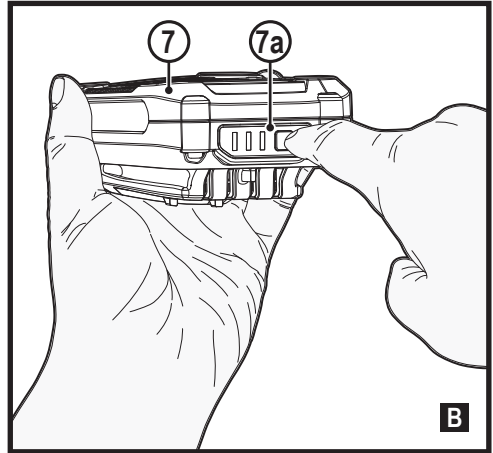
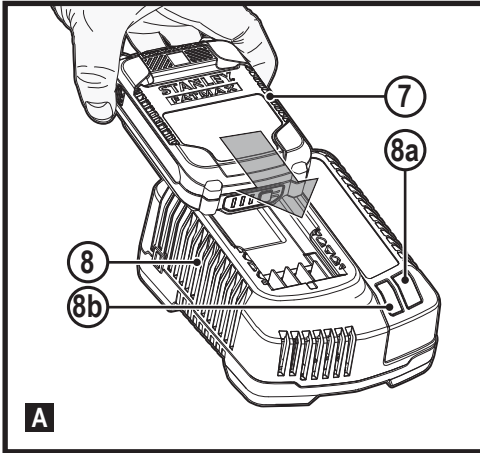


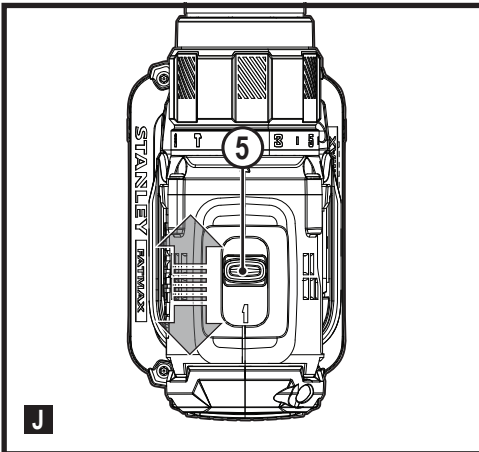
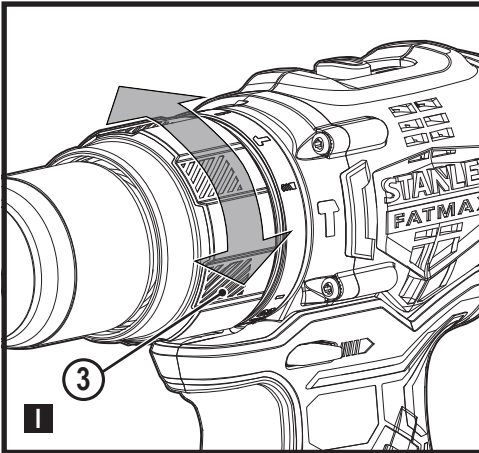
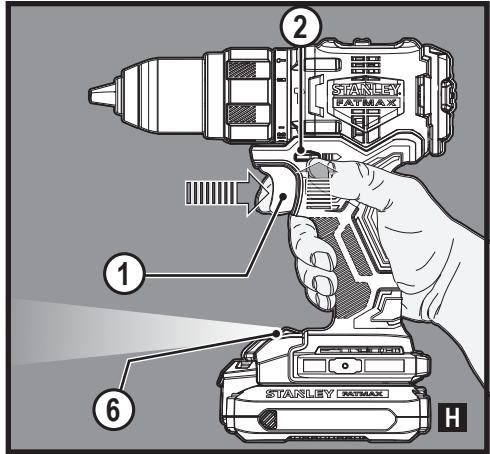
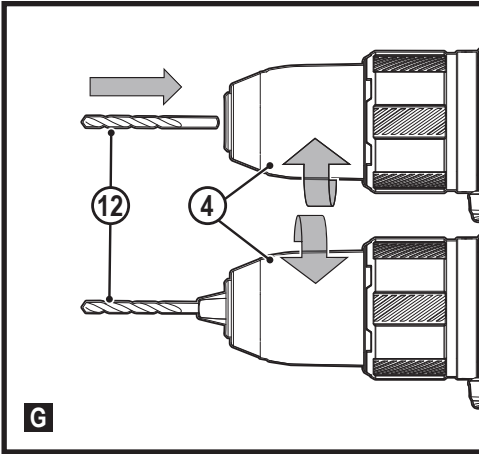
English (*original instructions*)

4

한국어

11





Intended use

Your STANLEY FATMAX SBD721 brushless hammer drill has been designed for screwdriving applications and for drilling in wood, metal, plastics and soft masonry. This appliance is intended for professional and private, non professional users.

Safety instructions

General power tool safety warnings



Warning! Read all safety warnings, instructions, illustrations and specifications provided with this power tool. Failure to follow the warnings and instructions listed below may result in electric shock, fire and/or serious injury.

Save all warnings and instructions for future reference.

The term "power tool" in all of the warnings listed below refers to your mains operated (corded) power tool or battery operated (cordless) power tool.

1. **Work area safety**
 - a. **Keep work area clean and well lit.** Cluttered or dark areas invite accidents.
 - b. **Do not operate power tools in explosive atmospheres, such as in the presence of flammable liquids, gases or dust.** Power tools create sparks which may ignite the dust or fumes.
 - c. **Keep children and bystanders away while operating a power tool.** Distractions can cause you to lose control.
2. **Electrical safety**
 - a. **Power tool plugs must match the outlet. Never modify the plug in any way.**

- Do not use any adapter plugs with earthed (grounded) power tools.** Unmodified plugs and matching outlets will reduce risk of electric shock.
- b. **Avoid body contact with earthed or grounded surfaces such as pipes, radiators, ranges and refrigerators.** There is an increased risk of electric shock if your body is earthed or grounded.
 - c. **Do not expose power tools to rain or wet conditions.** Water entering a power tool will increase the risk of electric shock.
 - d. **Do not abuse the cord. Never use the cord for carrying, pulling or unplugging the power tool. Keep cord away from heat, oil, sharp edges or moving parts.** Damaged or entangled cords increase the risk of electric shock.
 - e. **When operating a power tool outdoors, use an extension cord suitable for outdoor use.** Use of a cord suitable for outdoor use reduces the risk of electric shock.
 - f. **If operating a power tool in a damp location is unavoidable, use a residual current device (RCD) protected supply.** Use of an RCD reduces the risk of electric shock.
3. **Personal safety**
 - a. **Stay alert, watch what you are doing and use common sense when operating a power tool.**
Do not use a power tool while you are tired or under the influence of drugs, alcohol or medication. A moment of inattention while operating power tools may result in serious personal injury.
 - b. **Use personal protective equipment. Always wear eye protection.** Protective equipment such as dust mask, non-skid safety shoes, hard hat, or hearing protection used for appropriate conditions will reduce personal injuries.
 - c. **Prevent unintentional starting. Ensure the switch is in the off-position before connecting to power source and/or battery pack, picking up or carrying the tool.**
Carrying power tools with your finger on the switch or energising power tools that have the switch on invites accidents.
 - d. **Remove any adjusting key or wrench before turning the power tool on.** A wrench or a key left attached to a rotating part of the power tool may result in personal injury.
 - e. **Do not overreach. Keep proper footing and balance at all times.** This enables better control of the power tool in unexpected situations.
 - f. **Dress properly. Do not wear loose clothing or jewellery. Keep your hair and clothing away from moving parts.** Loose clothes, jewellery or long hair can be caught in moving parts.
 - g. **If devices are provided for the connection of dust extraction and collection facilities, ensure these are connected and properly used.** Use of dust collection can reduce dust-related hazards.
 - h. **Do not let familiarity gained from frequent use of tools allow you to become complacent and ignore tool safety principles.** A careless action can cause severe injury within a fraction of a second.
4. **Power tool use and care**
 - a. **Do not force the power tool. Use the correct power tool for your application.**
The correct power tool will do the job better and safer at the rate for which it was designed.
 - b. **Do not use the power tool if the switch does not turn it on and off.** Any power tool that cannot be controlled with the switch is dangerous and must be repaired.
 - c. **Disconnect the plug from the power source and/or the battery pack from the power tool before making any adjustments, changing accessories, or storing power tools.** Such preventive safety measures reduce the risk of starting the power tool accidentally.
 - d. **Store idle power tools out of the reach of children and do not allow persons unfamiliar with the power tool or these instructions to operate the power tool.**
Power tools are dangerous in the hands of untrained users.
 - e. **Maintain power tools and accessories. Check for misalignment or binding of moving parts, breakage of parts and any other condition that may affect the power tools operation. If damaged, have the power tool repaired before use.** Many accidents are caused by poorly maintained power tools.
 - f. **Keep cutting tools sharp and clean.** Properly maintained cutting tools with sharp cutting edges are less likely to bind and are easier to control.
 - g. **Use the power tool, accessories and tool bits etc. in accordance with these instructions, taking into account the working conditions and the work to be performed.**
Use of the power tool for operations different from those intended could result in a hazardous situation.
 - h. **Keep handles and grasping surfaces dry, clean and free from oil and grease.** Slippery handles and grasping surfaces do not allow for safe handling and control of the tool in unexpected situations.
 5. **Battery tool use and care**
 - a. **Recharge only with the charger specified by the manufacturer.** A charger that is suitable for one type of battery pack may create a risk of fire when used with another battery pack.
 - b. **Use power tools only with specifically designated battery packs.** Use of any other battery packs may create a risk of injury and fire.

- c. **When battery pack is not in use, keep it away from other metal objects, like paper clips, coins, keys, nails, screws, or other small metal objects, that can make a connection from one terminal to another.** Shorting the battery terminals together may cause burns or a fire.
- d. **Under abusive conditions, liquid may be ejected from the battery; avoid contact. If contact accidentally occurs, flush with water. If liquid contacts eyes, additionally seek medical help.** Liquid ejected from the battery may cause irritation or burns.
- e. **Do not use a battery pack or tool that is damaged or modified.** Damaged or modified batteries may exhibit unpredictable behaviour resulting in fire, explosion or risk of injury.
- f. **Do not expose a battery pack or tool to fire or excessive temperature.** Exposure to fire or temperature above 130 °C may cause explosion.
- g. **Follow all charging instructions and do not charge the battery pack or tool outside the temperature range specified in the instructions.** Charging improperly or at temperatures outside the specified range may damage the battery and increase the risk of fire.
6. **Service**
- a. **Have your power tool serviced by a qualified repair person using only identical replacement parts.** This will ensure that the safety of the power tool is maintained.
- b. **Never service damaged BATTERY packs.** Service of BATTERY packs should only be performed by the manufacturer or authorized service providers.

Additional power tool safety warnings

- ◆ **Use clamps or another practical way to secure and support the work piece to a stable platform.** Holding the work by hand or against your body leaves it unstable and may lead to loss of control.
- ◆ **Before driving fasteners into walls, floors or ceilings, check for the location of wiring and pipes.**
- ◆ **The intended use is described in this instruction manual.**
- ◆ **The use of any accessory or attachment or performance of any operation with this tool other than those recommended in this instruction manual may present a risk of personal injury and/or damage to property.**

1) Safety instructions for all operations

- a) **Wear ear protectors when impact drilling.** Exposure to noise can cause hearing loss.
- b) **Brace the tool properly before use.** This tool produces a high output torque and without properly bracing the tool during operation, loss of control may occur resulting in

personal injury.

- c) **Hold the power tool by insulated gripping surfaces, when performing an operation where the cutting accessory may contact hidden wiring.** Cutting accessory contacting a "live" wire may make exposed metal parts of the power tool "live" and could give the operator an electric shock.

2) Safety instructions when using long drill bits

- a) **Never operate at higher speed than the maximum speed rating of the drill bit.** At higher speeds, the bit is likely to bend if allowed to rotate freely without contacting the workpiece, resulting in personal injury.
- b) **Always start drilling at low speed and with the bit tip in contact with the workpiece.** At higher speeds, the bit is likely to bend if allowed to rotate freely without contacting the workpiece, resulting in personal injury.
- c) **Apply pressure only in direct line with the bit and do not apply excessive pressure.** Bits can bend causing breakage or loss of control, resulting in personal injury.

Safety of others

- ◆ This tool is not intended for use by persons (including children) with reduced physical, sensory or mental capabilities, or lack of experience and knowledge, unless they have been given supervision or instruction concerning use of the appliance by a person responsible for their safety.
- ◆ Children should be supervised to ensure that they do not play with the appliance.

Residual risks










Additional residual risks may arise when using the tool which may not be included in the enclosed safety warnings. These risks can arise from misuse, prolonged use etc.

Even with the application of the relevant safety regulations and the implementation of safety devices, certain residual risks can not be avoided. These include:

- ◆ Injuries caused by touching any rotating/moving parts.
- ◆ Injuries caused when changing any parts, blades or accessories.
- ◆ Injuries caused by prolonged use of a tool. When using any tool for prolonged periods ensure you take regular breaks.
- ◆ Impairment of hearing.
- ◆ Health hazards caused by breathing dust developed when using your tool (example:- working with wood, especially oak, beech and MDF.)

Labels on tool

The label on your tool may include the following symbols:

	WARNING! To reduce the risk of injury, the user must read the instruction manual before use.		
	Wear safety glasses or goggles.		
	Wear ear protection.		
	Wear a dust mask.		
V	Volts		Direct Current
A	Amperes	n_0	No-Load Speed
Hz	Hertz		Class II Construction
W	Watts		Earthing Terminal
min	minutes		Safety Alert Symbol
	Alternating Current	/min.	Revolutions or Reciprocation per minute

Position of date code

The Date Code, which also includes the year of manufacture, is printed into the housing.

Example:

2020 XX JN
Year of manufacturing

Additional safety instructions for batteries and chargers

Batteries

- ◆ Never attempt to open for any reason.
- ◆ Do not expose the battery to water.
- ◆ Do not store in locations where the temperature may exceed 40 °C.
- ◆ Charge only at ambient temperatures between 10 °C and 40 °C.
- ◆ Charge only using the charger provided with the tool.
- ◆ When disposing of batteries, follow the instructions given in the section "Protecting the environment".

Chargers

- ◆ Use your STANLEY FATMAX charger only to charge the battery in the tool with which it was supplied. Other batteries could burst, causing personal injury and damage.
- ◆ Never attempt to charge non-rechargeable batteries.
- ◆ Have defective cords replaced immediately.
- ◆ Do not expose the charger to water.

- ◆ Do not open the charger.
- ◆ Do not probe the charger.



The charger is intended for indoor use only.



Read the instruction manual before use.



Do not attempt to charge damaged batteries.

Electrical safety



Your charger is double insulated; therefore no earth wire is required. Always check that the mains voltage corresponds to the voltage on the rating plate. Never attempt to replace the charger unit with a regular mains plug.

- ◆ If the supply cord is damaged, it must be replaced by the manufacturer or an authorised STANLEY FATMAX Service Centre in order to avoid a hazard.

Warning! Never attempt to replace the charger unit with a regular mains plug.

Features

This appliance includes some or all of the following features.

1. Trigger Switch
2. Forward/Reverse Button
3. Torque Adjust Collar
4. Keyless Chuck
5. Speed selector
6. LED Work Light
7. Battery

Use

Warning! Let the tool work at its own pace. Do not overload.

Charging the battery (Fig. A)

The battery needs to be charged before first use and whenever it fails to produce sufficient power on jobs that were easily done before. The battery may become warm while charging; this is normal and does not indicate a problem.

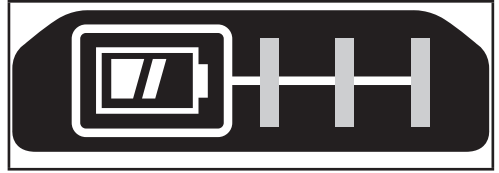
Warning! Do not charge the battery at ambient temperatures below 10 °C or above 40 °C. Recommended charging temperature: approx. 24 °C.

Note: The charger will not charge a battery if the cell temperature is below approximately 10 °C or above 40 °C. The battery should be left in the charger and the charger will begin to charge automatically when the cell temperature warms up or cools down.

Note: To ensure maximum performance and life of lithium-ion battery packs, charge the battery pack fully before first use.

- ◆ Plug the charger (8) into an appropriate outlet before inserting battery pack (7).

- ◆ The green charging light (8a) will blink continuously indicating that the charging process has started.
- ◆ The completion of charge will be indicated by the green charging light (8a) remaining ON continuously. The battery pack (7) is fully charged and may be removed and used at this time or left in the charger (8).
- ◆ Charge discharged batteries within 1 week. Battery life will be greatly diminished if stored in a discharged state.



Installing and Removing the Battery Pack from the tool

Warning! Make certain the lock-off button is engaged to prevent switch actuation before removing or installing battery.

To install battery pack (Fig. C)

- ◆ Insert battery pack firmly into tool until an audible click is heard as shown in figure C. Ensure battery pack is fully seated and fully latched into position.

To remove battery pack (Fig. D)

- ◆ Depress the battery release button (7b) as shown in figure D and pull battery pack out of tool.

Belt hook (Optional extra) (Fig. E, F)

Warning! To reduce the risk of serious personal injury, place the forward/reverse button in the lock-off position or turn tool off and disconnect battery pack before making any adjustments or removing/installing attachments or accessories. An accidental start-up can cause injury.

Warning! To reduce the risk of serious personal injury, ONLY use the tool's belt hook (9) to hang the tool from a work belt. DO NOT use the belt hook (9) for tethering or securing the tool to a person or object during use. DO NOT suspend tool overhead or suspend objects from the belt hook.

Warning! To reduce the risk of serious personal injury, ensure the screw (10) holding the belt hook is secure.

Note: When attaching or replacing the belt hook (9), use only the screw (10) that is provided. Be sure to securely tighten the screw.

The belt hook (9) can be attached by sliding into the slots (11) on either side of the tool using only the screw (10) provided, to accommodate left- or right- handed users. If the hook is not desired at all, it can be removed from the tool. To move the belt hook, remove the screw (10) that holds the belt hook (9) in place then reassemble on the opposite side. Be sure to securely tighten the screw (10).

Note: Various trackwall hooks and storage configurations are available.

Please visit our website www.stanley.eu/3 for further information.

Keyless chuck (Fig. G)

Warning! Make certain the battery pack is removed to prevent tool actuation before installing or removing accessories.

Charger LED Modes

	Charging: Green LED Intermittent	
	Fully Charged: Green LED Solid	
	Hot/Cold Pack Delay: Green LED Intermittent Red LED Solid	

Note: The compatible charger(s) will not charge a faulty battery pack. The charger will indicate a faulty battery pack by refusing to light.

Note: This could also mean a problem with a charger. If the charger indicates a problem, take the charger and battery pack to be tested at an authorized service centre.

Leaving the battery in the charger

The charger and battery pack can be left connected with the LED glowing indefinitely. The charger will keep the battery pack fresh and fully charged.

Hot/Cold Pack Delay

When the charger detects a battery that is too hot or too cold, it automatically starts a Hot/Cold Pack Delay, the green LED (8a) will flash intermittently, while the red LED (8b) will remain on continuously, suspending charging until the battery has reached an appropriate temperature. The charger then automatically switches to the pack charging mode. This feature ensures maximum battery life.

Battery state of charge indicator (Fig. B)

The battery includes a state of charge indicator to quickly determine the extent of battery life as shown in figure B. By pressing the state of charge button (7a) you can easily view the charge remaining in the battery as illustrated in figure B.

To insert a drill bit or other accessory:

- ◆ Grasp the chuck (4) and rotate it in the counterclockwise direction, as viewed from the chuck end.
- ◆ Insert the bit or other accessory (12) fully into the chuck and tighten securely by rotating the chuck in the clockwise direction as viewed from the chuck end.

Warning! Do not attempt to tighten or loosen drill bits (or any other accessory) by gripping the front part of the chuck and turning the tool on.

Damage to the chuck and personal injury may occur when changing accessories.

Trigger switch & forward/reverse button (Fig H)

- ◆ The drill is turned ON and OFF by pulling and releasing the trigger switch (1) shown in figure H. The farther the trigger is depressed, the higher the speed of the drill.
- ◆ A forward/reverse control button (2) determines the rotational direction of the tool and also serves as a lock off button.
- ◆ To select forward rotation, release the trigger switch and depress the forward/reverse control button on the right side of the tool.
- ◆ To select reverse, depress the forward/reverse control button on the left side of the tool.
- ◆ The centre position of the control button locks the tool in the off position. When changing the position of the control button, be sure the trigger is released.

Adjusting torque control (Fig I)

This tool is fitted with a torque adjustment collar (3) to select the operating mode and to set the torque for tightening screws. Large screws and hard workpiece materials require a higher torque setting than small screws and soft workpiece materials.

- ◆ For drilling in wood, metal and plastics, set the collar (3) to the drilling position symbol.
- ◆ For drilling in light masonry, set the collar (3) to the hammer drilling position.
- ◆ For screwdriving, set the collar to the desired setting. If you do not yet know the appropriate setting, proceed as follows:
 - ◆ Set the collar to the lowest torque setting.
 - ◆ Tighten the first screw.
 - ◆ If the clutch ratchets before the desired result is achieved, increase the collar setting and continue tightening the screw.
 - ◆ Repeat until you reach the correct setting.
 - ◆ Use this setting for the remaining screws.

Speed selector switch (Fig J)

The dual range feature of your drill allows you to shift gears for greater versatility.

- ◆ To select low speed, high torque setting (position 1), turn

tool off and permit to stop. Slide gear shifter button (5) away from the chuck.

- ◆ To select the high speed, low torque setting (position 2), turn tool off and permit to stop. Slide gear shifter button back toward the chuck.

Note: Do not change gears when tool is running. If you are having trouble changing gears, make sure that the dual range gear button is either completely pushed forward or completely pushed back.

Screw driving

- ◆ For driving fasteners, the forward/reverse button should be pushed to the left.
- ◆ Use reverse (button pushed to the right) for removing fasteners.

Note: When moving from forward to reverse, or vice versa, always release the trigger switch first.

Drilling

- ◆ Use sharp drill bits only.
- ◆ Support and secure work properly, as instructed in the Safety Instructions.
- ◆ Use appropriate and required safety equipment, as instructed in the Safety Instructions.
- ◆ Secure and maintain work area, as instructed in the Safety Instructions.
- ◆ Run the drill very slowly, using light pressure, until the hole is started enough to keep the drill bit from slipping out of it.
- ◆ Apply pressure in a straight line with the bit. Use enough pressure to keep the bit biting but not so much as to stall the motor or deflect the bit.
- ◆ Hold the drill firmly with two hands, one hand on the handle, and the other gripping the bottom around the battery area or the auxiliary handle if provided.
- ◆ **DO NOT CLICK THE TRIGGER OF A STALLED DRILL OFF AND ON IN AN ATTEMPT TO START IT. DAMAGE TO THE DRILL CAN RESULT.**
- ◆ Minimize stalling on breakthrough by reducing pressure and slowly drilling through the last part of the hole.
- ◆ Keep the motor running while pulling the bit out of a drilled hole. This will help reduce jamming.
- ◆ Make sure switch turns drill on and off.

Drilling in wood

Holes in wood can be made with the same twist drill bits used for metal or with spade bits. These bits should be sharp and should be pulled out frequently when drilling to clear chips from the flutes.

Drilling in metal

Use a cutting lubricant when drilling metals. The exceptions are cast iron and brass which should be drilled dry. The cutting lubricants that work best are sulphurized cutting oil.

Drilling in masonry

For drilling in masonry, set the collar (3) to the hammer drilling position by aligning the symbol with the marking. Use carbide tipped masonry bits. . Keep even force on the drill. A smooth, even flow of dust indicates the proper drilling rate.

LED work light (Fig H)

When drill is activated by pulling the trigger switch (1), the integrated LED work light (6) will automatically illuminate the work area.

Note: The work light is for lighting the immediate work surface and is not intended to be used as a flashlight.

Troubleshooting

Problem	Possible cause	Possible solution
Unit will not start.	Battery pack not installed properly. Battery pack not charged.	Check battery pack installation. Check battery pack charging requirements.
Unit starts immediately upon inserting battery	The switch has been left in the "on" position.	The switch must be moved to "off" to prevent the tool from immediately starting when battery is inserted.
Battery pack will not charge.	Battery pack not inserted into charger. Charger not plugged in. Surrounding air temperature too hot or too cold.	Insert battery pack into charger until LED lights. Plug charger into a working outlet. Move charger and battery pack to a surrounding air temperature of above 45 °C or below +40.5 °C.
Unit shuts off abruptly.	Battery pack has reached its maximum thermal limit. Out of charge. (To maximize the life of the battery pack it is designed to shutoff abruptly when the charge is depleted	Allow battery pack to cool down. Place on charger and allow to charge.

Maintenance

Your STANLEY FATMAX tool has been designed to operate over a long period of time with a minimum of maintenance. Continuous satisfactory operation depends upon proper tool care and regular cleaning.

Your charger does not require any maintenance apart from regular cleaning.

Warning! Before performing any maintenance on the tool, remove the battery from the tool. Unplug the charger before cleaning it.

- ◆ Regularly clean the ventilation slots in your tool and charger using a soft brush or dry cloth.
- ◆ Regularly clean the motor housing using a damp cloth.
- ◆ Do not use any abrasive or solvent-based cleaner.

Protecting the environment



Separate collection. Products and batteries marked with this symbol must not be disposed of with normal household waste.

Products and batteries contain materials that can be recovered or recycled reducing the demand for raw materials. Please recycle electrical products and batteries according to local provisions. Further information is available at www.2helpU.com

Technical data

		SBD721
Voltage	V _{DC}	18V (20V MAX)
No-load speed	Min ⁻¹	0-600 / 0-2100
Max. torque	Nm	80
Chuck capacity	mm	1.5-13
Max Drilling capacity		
Steel/wood/masonry	mm	13/40/13
Weight	kg	1.2 (without battery)

Charger		SC125	SC200	SC400 SC401
Input Voltage	V _{AC}	220-240	220-240	220-240
Output Voltage	V _{DC}	18V (20V MAX)	18V (20V MAX)	18V (20V MAX)
Current	A	1.25	2	4

Battery		SB201	SB202	SB204	SB206
Voltage	V _{DC}	18V (20V MAX)	18V (20V MAX)	18V (20V MAX)	18V (20V MAX)
Capacity	Ah	1.5	2.0	4.0	6.0
Type		Li-Ion	Li-Ion	Li-Ion	Li-Ion

SERVICE INFORMATION

STANLEY FATMAX offers a full network of company-owned and authorized service locations. All STANLEY FATMAX Service Centers are staffed with trained personnel to provide customers with efficient and reliable power tool service. For more information about our authorized service centers and if you need technical advice, repair, or genuine factory replacement parts, contact the STANLEY FATMAX location nearest you or visit us at www.stanleytools.com.

용도

STANLEY FATMAX SBD721 브러시리스 해머 드릴은 스크루 드라이빙 작업과 목재, 금속, 플라스틱 및 연질 석조 드릴링 용으로 설계되었습니다. 이 공구는 전문가 및 개인, 비전문 사용자를 위한 것입니다.

안전 지침

일반 안전 경고



경고: 이 전동 공구와 함께 제공되는 모든 안전 경고와 지시사항, 설명 및 사양을 읽으십시오.

아래 설명한 모든 지시 사항을 따르지 않으면 감전, 화재 및/또는 심각한 부상을 초래할 수 있습니다.

항후 참고할 수 있도록 모든 경고 및 지시 사항을 보관해두십시오. 경고에서 사용된 "전동 공구"라는 용어는 주 공급 전원에 의해 전기가 공급되는(유선) 전동 공구 또는 충전식(무선) 전동 공구를 의미합니다.

1. 작업장 안전

- 작업장을 항상 청결하고 밝게 유지하십시오.** 혼잡하거나 어두운 작업장에서는 사고가 발생하기 쉽습니다.
- 가연성 액체, 가스 또는 먼지 등이 있는 폭발성 대기에서 전동 공구를 사용하지 마십시오.** 전동 공구에서 먼지나 가스를 발하시킬 수 있는 불꽃이 될 수 있습니다.
- 전동 공구로 작업하는 동안에는 어린이와 주변 사람들이 작업 영역에 가까이 들어오지 못하도록 하십시오.** 주변이 산만해져 통제력을 잃을 수 있습니다.

2. 전기 안전

- 동공구의 플러그는 콘센트와 형식이 일치해야 하며, 플러그를 어떤 형태로든 개조하지 마십시오.** 또한 접지된 전동공구에 다른 어댑터 플러그를 사용하지 마십시오. 개조되지 않은 플러그 및 형식이 일치하는 콘센트를 사용하면 감전 위험이 줄어듭니다.
- 파이프 관, 라디에이터, 렌치, 냉장고 등의 접지 표면에 물이 닿지 않도록 하십시오.** 몸에 닿을 경우 감전이 될 위험이 높아집니다.
- 전동 공구를 비 또는 습한 환경에 노출하지 않도록 주의하십시오.** 전동 공구에 물이 들어가면 감전 위험이 높아집니다.
- 코드를 함부로 다루지 마십시오.** 코드를 사용하여 전동공구를 운반하거나, 코드를 과도하게 잡아당겨서 플러그를 뽑지 않도록 주의하십시오. 전열코드가 열기 또는 오일과 접촉되는 것을 피하고, 날카로운 모서리 또는 기기의 기동 부위에 닿지 않도록 주의 하십시오. 코드가 손상되거나 얽혀 있으면 감전 위험이 높아집니다.
- 전동 공구를 실외에서 사용할 때는 실외 사용에 적합한 연장 코드를 사용하십시오.** 실외 사용에 적합한 코드를 사용하면 감전 위험이 줄어듭니다.
- 전동공구를 습한 공간에서 사용할 경우, 반드시 누전 차단기를 사용하십시오.** 누전 차단기 (RCD) 를 사용하면 감전의 위험이 줄어듭니다. RCD 를 사용하면 감전 위험이 줄어듭니다.

3. 신체 안전 사항

- 전동 공구로 작업할 때는 방심하지 말고 작업에 주의하면서 상식에 따르십시오.** 피곤한 상태이거나 약물, 술, 치료제를 복용한 상태에서는 전동 공구를 사용하지 마십시오. 전동 공구를 사용하다 잠깐만 한 눈을 팔아도 심각한 부상을 당할 수 있습니다.
- 신체 보호 장비를 착용하십시오.** 항상 보안경을 착용하십시오. 적합한 상황에서 방진 마스크, 미끄럼 방지 안전화, 안전모 또는 청력 보호 기구 등의 보호 장비를 사용하면 신체 부상 위험이 줄어듭니다.
- 의도하지 않은 장비 가동 방지.** 전원 및/또는 배터리 팩에 연결한 상태로 공구를 선택 또는 운반할 때는 사전에 스위치가 꺼짐 위치에 있는지 반드시 확인하십시오. 스위치가 꺼짐 위치에 있는 상태에서 스위치가 손가락이 닿은 상태로 전동 공구를 운반하거나 전동 공구에 전원을 공급하면 사고가 발생합니다.
- 전동 공구를 켜기 전에 모든 조정 키 또는 렌치를 제거하십시오.** 전동 공구의 회전 부품에 렌치나 키가 부착되어 있으면 부상을 당할 수 있습니다.
- 무리하게 팔을 뻗지 마십시오.** 항상 올바른 자세로 서서 균형을 유지하십시오. 안정된 자세로 작업을 할 경우 전동 공구를 안전하게 사용할 수 있습니다.
- 절한 의복을 착용하십시오.** 헐렁한 옷이나 장신구를 착용하지 마십시오. 머리카락과 옷이 움직이는 부품에 닿지 않도록 유의하십시오. 헐렁한 옷, 장신구 또는 긴 머리가 움직이는 부품에 걸 수 있습니다.
- 먼지 배출 및 집진 시설 연결을 위한 장치가 제공된 경우, 이를 장치가 연결되어 적절히 사용되고 있는지 반드시 확인하십시오.** 집진 장치를 사용하면 먼지와 관련된 위험을 줄일 수 있습니다.
- 장치를 자주 사용함으로써 생긴 익숙함으로 인해 현실에 안주하거나 공구 안전 원칙을 무시하지 않도록 하십시오.** 부주의한 작동은 순식간에 심각한 부상을 야기할 수 있습니다.

4. 전동 공구 사용 및 관리

- 전동 공구에 무리한 힘을 가하지 마십시오.** 해당 용도에 맞는 올바른 전동 공구를 사용하십시오. 올바른 전동 공구를 사용해야 설계된 속도로 작업을 더욱 안전하고 정확하게 수행할 수 있습니다.
- 꺼지지 않거나 꺼지지 않는 경우 전동 공구를 사용하지 마십시오.** 스위치로 제어되지 않는 전동 공구는 위험하므로 수리해야 합니다.
- 전동 공구를 조정하거나 액세스리를 변경하거나 보관하기 전에 전동 공구에서 분리되는 경우 전원에서 플러그를 뽑거나 또는 배터리 팩을 분리하십시오.** 이러한 예방적 안전 조치를 따라야 전동 공구가 갑자기 작동할 위험이 줄어듭니다.
- 사용하지 않는 전동 공구는 어린이의 손이 닿지 않는 곳에 보관하고, 전동 공구나 본 지시 사항에 익숙하지 않은 사람이 전동 공구를 절대 사용하지 못하게 하십시오.** 전동 공구는 훈련을 받지 않은 사용자가 다루면 위험합니다.
- 전동 공구 및 액세스리 유지 보수.** 움직이는 부품의 잘못된 정렬이나 바인딩, 부품 파손 및 기타 전동 공구의 작동에 영향을 미칠 수 있는 기타 모든 상태를 확인하십시오. 손상된

부분이 있는 경우 사용하기 전에 전동 공구를 수리하십시오. 많은 사고는 전동 공구를 제대로 유지 보수하지 않아 발생합니다.

- f. 공구를 깨끗한 상태로 유지하십시오. 절삭 가장자리를 예리하게 잘 유지하면 절삭기를 사용할 때 바인딩이 적고 다루기가 용이합니다.
- g. 작업 환경과 수행할 작업을 고려하여, 본 지시 사항에 따라 전동 공구, 액세서리 및 톨 비트 등을 사용하십시오. 본 사용 설명서의 내용과 다른 용도로 전동 공구를 사용하면 위험한 상황이 발생할 수 있습니다.
- h. 핸들과 잡는 표면은 건조하고 깨끗한 상태를 유지하고 오일/기름이 묻지 않도록 하십시오. 미끄러운 핸들과 잡는 면은 예기치 못한 상황에서 안전한 취급과 공구 관리를 보장하지 않습니다.

5. 배터리 공구 사용 및 주의 사항

- a. 다시 충전할 때는 제조업체에서 지정한 충전기만 사용하십시오. 하나의 배터리 팩 유형에 적합한 충전기를 다른 배터리 팩과 함께 사용할 경우 화재의 위험이 있습니다.
- b. 전동 공구를 사용할 때는 구체적으로 지정되어 있는 배터리 팩만 사용하십시오. 다른 배터리 팩을 사용하면 부상을 입거나 화재의 위험이 있습니다.
- c. 배터리 팩을 사용하지 않을 때에는 클립, 동전, 키, 못, 나사 등의 금속 물체나, 단자 간에 연결할 수 있는 작은 금속 물체가 닿지 않도록 멀리 두십시오. 배터리 단자가 단락되면 화상을 입거나 화재의 위험이 있습니다.
- d. 배터리를 과다 사용하면 액체가 배터리에서 흘러 나올 수 있으므로, 접촉을 피하십시오. 실수로 접촉한 경우에는 물로 씻으십시오. 액체가 눈에 들어간 경우 치료를 받으십시오. 배터리에서 나온 액체는 통증을 유발하거나 화상을 입힐 수 있습니다.
- e. 손상되거나 변경된 배터리 팩 또는 공구를 사용하지 마십시오. 손상되거나 개조된 배터리는 예측할 수 없는 작용을 보여, 화재, 폭발 또는 부상 위험을 야기할 수 있습니다.
- f. 배터리 팩 또는 공구를 불이나 과도한 온도에 노출하지 마십시오. 불 또는 130 °C 이상의 온도에 노출되면 폭발할 수 있습니다.
- g. 모든 충전 지침을 따르고 배터리 팩 또는 공구를 설명서에 지정된 범위 밖의 온도에서 충전하지 마십시오. 적절하지 않게 충전하거나 지정된 범위 밖의 온도에서 충전하면 배터리가 손상되어 화재 위험이 증가될 수 있습니다.

6. 정비

- a. 자격을 갖춘 기술자가 동일 교체 부품을 사용하여 정비 작업을 수행해야 합니다. 그래야 전동 공구의 안전이 보장됩니다.
- b. 손상된 배터리 팩을 정비하지 마십시오. 배터리 팩은 제조업체 또는 공인 서비스 공급업체를 통해서만 점검을 받아야 합니다.

추가 전동 공구 안전 경고

- ◆ 클램프 또는 바이스를 사용하여 공작물을 안정적인 플랫폼에 고정하고 지지하십시오. 공작물을 손으로 잡거나 몸에 대면 불안정하게되어 제어력을 잃을 수 있습니다.

- ◆ 패스너를 벽, 바닥 또는 천장에 박기 전에 배선 및 파이프의 위치를 확인하십시오.
- ◆ 사용 목적은 이 사용 설명서에 설명되어 있습니다.
- ◆ 이 지침 설명서에서 권장하는 것 이외의 액세서리 나 부속물을 사용하거나 이 공구로 작업을 수행하면 부상 및 / 또는 재산 피해의 위험이 있습니다.

1) 모든 작업에 대한 안전 지침

- a) **임팩트 드릴링시 귀마개를 착용하십시오.** 소음에 노출되면 청력이 손상될 수 있습니다.
- b) **사용하기 전에 공구를 적절하게 고정하십시오.** 이 공구는 높은 출력 토크를 생성하며 작동중에 공구를 적절히 고정하지 않으면 제어력이 상실되어 부상을 입을 수 있습니다.
- c) **패스너가 숨겨진 배선과 접촉할 수 있는 작업을 수행할 때 절연 그림 표면으로 전동 공구를 잡으십시오.** "전기가 통하는"전선과 접촉하는 패스너는 전동 공구의 노출 된 금속 부분을 "통전"시켜 작업자가 감전될 수 있습니다.

2) 긴 드릴 비트 사용시 안전 지침

- a) **드릴 비트의 최대 속도 등급보다 높은 속도로 작동하지 마십시오.** 고속에서 공작물에 접촉하지 않고 자유롭게 회전하면 비트가 구부러져 부상을 입을 수 있습니다.
- b) **항상 저속으로 드릴링을 작동하고 비트 팁이 공작물에 닿은 상태에서 드릴링을 시작하십시오.** 고속에서 공작물에 접촉하지 않고 자유롭게 회전하면 비트가 구부러져 부상을 입을 수 있습니다.
- c) **비트와 일직선으로 만 압력을 가하고 과도한 압력을 가하지 마십시오.** 비트가 구부러져 파손되거나 제어력이 상실되어 부상을 입을 수 있습니다.

타인의 안전

- ◆ 이 기기는 안전을 책임지는 사람이 기기 사용에 대해 감독하거나 지시하지 않는 한 신체적, 감각적 또는 정신적 능력이 약하거나 경험과 지식이 부족한 사람(어린이 포함)이 사용하도록 설계되지 않았습니다.
- ◆ 어린이가 기기를 가지고 놀지 않도록 감독해야 합니다.

기타 발생 가능한 위험

기기를 사용할 때 동봉된 안전 경고에 포함되어 있지 않은 기타 발생 가능한 위험들이 발생할 수 있습니다. 이러한 위험은 오용, 장시간 사용 등으로 인해 발생할 수 있습니다.

관련된 안전 규정을 준수하고 안전 장치를 사용한다고 해도 어떤 위험들은 피하지 못할 수도 있습니다. 이러한 위험으로는 다음과 같은 것들이 있습니다.

- ◆ 회전 부품이나 작동 부품을 만져 발생하는 부상.
- ◆ 부품, 톨날 또는 액세서리 변경으로 인한 부상.
- ◆ 장시간에 걸친 기기 사용으로 인한 부상. 어떤 기기이든 장시간에 걸쳐 사용할 때는 반드시 정기적인 휴식을 취하십시오.
- ◆ 청력 손상.
- ◆ 기기 사용 중에 발생하는 먼지를 호흡하여 유발되는 건강 위협성 (예: 목재, 특히 오크, 너도밤나무 및 MDF 가공 작업).

공구의 레이블

날짜 코드와 함께 다음 그림이 공구에 표시됩니다.

	경고! 부상 위험을 줄이려면 사용자는 사용 전에 사용 설명서를 주의 깊게 읽어야 합니다.		
	항상 보호 안경 또는 고글을 착용하십시오.		
	귀 보호 장구를 착용하십시오.		
	방진 마스크를 착용하십시오.		
V	볼트		직류
A	암페어	η_0	평가 속도
Hz	헤르츠		클래스 II 건설 산업용
W	와트		접지 단자
min	분		안전 경고 기호
	교류 전류	/min.	분당 회전 또는 왕복 수

데이터 코드 위치

날짜 코드에는 제조년도도 포함되어 케이스에 인쇄되어 있습니다.
예:

2020 XX JN
Year of manufacturing
제조년도

배터리 및 충전기에 대한 추가 안전 지침

배터리

- ◆ 어떤 이유로든 열지 마십시오.
- ◆ 배터리를 물에 노출시키지 마십시오.
- ◆ 온도가 40 °C를 초과할 수 있는 장소에 보관하지 마십시오.
- ◆ 주변 온도가 10 °C ~ 40 °C 인 경우에만 충전하십시오.
- ◆ 공구와 함께 제공된 충전기 만 사용하여 충전하십시오.
- ◆ 배터리를 폐기할 때는 "환경 보호" 섹션의 지침을 따르십시오.

충전기

- ◆ STANLEY FATMAX 충전기는 제공된 도구로 배터리를 충전하는 데만 사용하십시오. 다른 배터리는 파열되어 부상을 입거나 손상될 수 있습니다.
- ◆ 비 충전식 배터리를 충전하지 마십시오.
- ◆ 결함이 있는 코드는 즉시 교체하십시오.
- ◆ 충전기를 물에 노출시키지 마십시오.
- ◆ 충전기를 열지 마십시오.
- ◆ 충전기를 조사하지 마십시오.



충전기는 실내 전용입니다.



사용하기 전에 사용 설명서를 읽으십시오.



손상된 배터리를 충전하지 마십시오.

전기 안전



충전기는 특정 전압에 맞게 설계되었습니다. 전원 전압이 명판의 전압과 일치하는지 항상 확인하십시오. 충전기를 일반 전원 플러그로 교체하지 마십시오.

- ◆ 전원 코드가 손상된 경우 위험을 피하기 위해 제조업체 또는 공인 된 STANLEY FATMAX 서비스 센터에서 교체해야 합니다.

경고! 충전기를 일반 전원 플러그로 교체하지 마십시오.

기능

이 공구에는 다음 기능 중 일부 또는 모두가 포함되어 있습니다.

1. 트리거 스위치
2. 정 회전 / 역 회전 버튼
3. 토크 조정 칼라
4. 키리스 척
5. 1단 2단 기어변속 레버
6. LED 작업등
7. 배터리

사용

경고! 공구가 자체 속도로 작동하도록하십시오. 과부하하지 마십시오.

배터리 충전 (그림 A)

배터리는 처음 사용하기 전과 이전에 쉽게 수행했던 작업에서 충분한 전력을 공급하지 못할 때마다 충전해야 합니다. 충전하는 동안 배터리가 따뜻해질 수 있습니다. 이것은 정상적인 현상이며 문제를 나타내는 것이 아닙니다.

경고! 주변 온도가 10 °C 이하 또는 40 °C 이상인 장소에서는 배터리를 충전하지 마십시오. 권장 충전 온도 : 약 24 °C.

참고: 배터리 온도가 약 10 °C 이하이거나 40 °C 이상이면 충전기가 배터리를 충전하지 않습니다.

배터리는 충전기에 그대로 두어야 하며 셀 온도가 예열되거나 냉각되면 충전기가 자동으로 충전되지 시작합니다.

참고: 리튬 이온 배터리 팩의 최대 성능과 수명을 보장하려면 처음 사용하기 전에 배터리 팩을 완전히 충전하십시오.

- ◆ 배터리 팩 (8) 을 삽입하기 전에 충전기 (7) 를 적절한 콘센트에 꽂으십시오.
- ◆ 녹색 충전 표시등 (8a) 이 계속 깜박이면 충전 프로세스가 시작되었음을 나타냅니다.
- ◆ 충전이 완료되면 녹색 충전 표시등 (8a) 이 계속 켜져 있습니다. 배터리 팩 (7) 은 완전히 충전되었으며 이때 분리하여 사용하거나 충전기 (8) 에 그대로 둘 수 있습니다.
- ◆ 방전 된 배터리는 1 주일 이내에 충전하십시오. 방전 된 상태로 보관하면 배터리 수명이 크게 줄어듭니다

충전기 LED 모드

	충전 중: 녹색 LED 깜박임	
	완전 충전: 녹색 LED 켜짐	
	핫 / 콜드 팩 지연: 녹색 LED 깜박임 빨간색 LED 켜짐	

참고: 호환되는 충전기는 결함이 있는 배터리 팩을 충전하지 않습니다. 충전기는 점등되 지 않음으로써 배터리 팩에 결함이 있음을 나타냅니다.

참고: 이것은 또한 충전기 문제를 의미할 수도 있습니다. 충전기에 문제가 있는 것으로 나타나면 충전기와 배터리 팩을 가지고 공인 서비스 센터에서 테스트를 받으십시오.

충전기에 배터리 보관

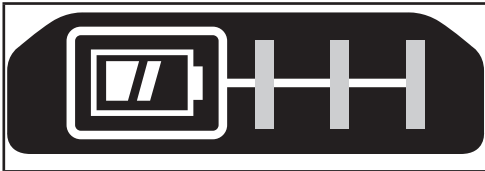
충전기와 배터리 팩은 LED 표시등이 점등된 상태로 연결되어 있을 수 있습니다. 충전기는 배터리 팩을 완전히 충전 된 상태로 유지합니다.

핫 / 콜드 팩 딜레이

충전기가 배터리가 너무 뜨겁거나 너무 차가움을 감지하면 자동으로 핫 / 콜드 팩 딜레이를 시작하고 녹색 LED (8a) 표시등이 간헐적으로 깜박이고 빨간색 LED (8b) 표시등이 계속 켜져 있습니다. 그러면 충전기가 자동으로 팩 충전 모드로 전환됩니다. 이 기능은 최대 배터리 수명을 보장합니다.

배터리 충전 상태 표시기 (그림 B)

배터리에는 그림 B와 같이 배터리의 수명 범위를 빠르게 확인할 수 있는 충전 상태 표시기가 포함되어 있습니다. 충전 상태 버튼(7a)을 누르면 그림 B와 같이 배터리의 잔량을 쉽게 확인할 수 있습니다.



공구에서 배터리 팩 설치 및 제거

경고! 배터리를 제거하거나 설치하기 전에 스위치 작동을 방지하기 위해 잠금 해제 버튼이 잠겨 있는지 확인하십시오.

배터리 팩을 설치하려면 (그림 C)

- ◆ 그림 C와 같이 딸깍 소리가 날 때까지 배터리 팩을 공구에 단단히 삽입하십시오. 배터리 팩이 완전히 장착되고 제자리에 완전히 고정되었는지 확인하십시오.

배터리 팩을 제거하려면 (그림 D)

- ◆ 그림 D와 같이 배터리 해제 버튼 (7b)을 누르고 배터리 팩을 공구에서 빼냅니다.

벨트 후크 (그림 E, F)

경고! 심각한 부상의 위험을 줄이려면 전진 / 후진 버튼을 잠금 해제 위치에 두거나 도구를 끄고 부착물 또는 액세서리를 제거 / 설치하기 전에 배터리 팩을 분리하십시오. 실수로 작동하면 부상을 입을 수 있습니다.

경고! 심각한 부상의 위험을 줄이려면 공구의 벨트 후크 (9) 만 사용하여 작업 벨트에 공구를 걸십시오. 벨트 후크 (9) 를 사용하여 공구를 사람이나 물체에 묶거나 고정하는 데 사용하지 마십시오. 공구를 머리 위에 매달거나 벨트 후크에 물건을 매달 지 마십시오.

경고! 심각한 부상의 위험을 줄이려면 벨트 후크를 고정하는 나사 (10) 가 단단히 고정되었는지 확인하십시오.

참고: 벨트 후크 (9) 를 부착하거나 교체할 때는 제공된 나사 (10) 만 사용하십시오. 나사를 단단히 조이십시오.

벨트 후크 (9) 는 공구 양쪽의 슬롯 (11) 에 밀어 넣어 부착할 수 있습니다. 제공된 나사 (10) 만 사용하여 원손잡이 또는 오른 손잡이 사용자를 수용합니다. 후크가 전혀 필요하지 않은 경우 공구에서 제거할 수 있습니다.

벨트 후크를 이동하려면 벨트 후크 (9) 를 제자리에 고정하는 나사 (10) 를 제거한 후 반대쪽에서 다시 조립하십시오. 나사 (10) 를 단단히 조이십시오.

키리스 척 (그림 G)

경고! 액세서리를 설치하거나 제거하기 전에 공구 작동을 방지하기 위해 배터리 팩을 제거했는지 확인하십시오.

드릴 비트 또는 기타 액세서리를 삽입하려면 :

- ◆ 척 (4)을 잡고 척 끝에서 봤을 때 시계 반대 방향으로 돌립니다.
- ◆ 비트 또는 기타 액세서리 (12) 를 척에 완전히 삽입하고 척 끝에서 볼 때 척을 시계 방향으로 돌려 단단히 조입니다.

경고! 척의 앞부분을 잡고 공구를 커서 드릴 비트 (또는 기타 액세서리)를 조이거나 풀지 마십시오.

액세서리 교체시 척 손상 및 부상이 발생할 수 있습니다.

트리거 스위치 및 전진 / 후진 버튼 (그림 H)

- ◆ 드릴은 그림 H에 표시된 트리거 스위치 (1)를 당기고 놓으면 켜고 끌 수 있습니다. 트리거를 더 많이 누를수록 드릴 속도가 빨라집니다.
- ◆ 정 회전 / 역 회전 제어 버튼 (2)은 공구의 회전 방향을 결정하고 잠금 해제 버튼 역할도 합니다.
- ◆ 정 회전을 선택하려면 트리거 스위치를 놓고 공구 오른쪽에 있는 정 회전 / 역 회전 제어 버튼을 누르십시오.
- ◆ 역 회전을 선택하려면 공구 왼쪽에 있는 정 회전 / 역 회전 제어 버튼을 누르십시오.
- ◆ 제어 버튼의 중앙 위치는 공구를 꺼짐 위치에 고정합니다. 제어 버튼의 위치를 변경할 때 트리거가 해제되었는지 확인하십시오.

토크 제어 조정 (그림 I)

이 공구에는 작동 모드를 선택하고 나사 조임 토크를 설정하기 위한 토크 조정 칼라 (3)가 장착되어 있습니다. 큰 나사 및 단단한

공작물 재료는 작은 나사 및 부드러운 공작물 재료보다 높은 토크 설정이 필요합니다.

- ◆ 목재, 금속 및 플라스틱 드릴링의 경우 칼라 (3)를 드릴링 위치 기호로 설정합니다.
- ◆ 가벼운 벽돌에서 드릴링하려면 칼라 (3)를 해머 드릴링 위치로 설정하십시오.
- ◆ 스크류 드라이빙의 경우 칼라를 원하는 설정으로 설정하십시오. 적절한 설정을 아직 모르는 경우 다음과 같이 진행하십시오.
 - ◆ 칼라를 최저 토크 설정으로 설정합니다.
 - ◆ 첫 번째 나사를 조입니다.
 - ◆ 원하는 결과를 얻기 전에 클러치가 래치되면 칼라 설정을 높이고 나사를 계속 조입니다.
 - ◆ 올바른 설정에 도달할 때까지 반복하십시오.
 - ◆ 나머지 나사에는 이 설정을 사용하십시오.

기어 변속 스위치 (그림 J)

드릴의 이중 범위 기능을 사용하면 더 큰 다양성을 위해 기어를 변속할 수 있습니다.

- ◆ 저속, 고 토크 설정 (위치)을 선택하려면 공구를 끄고 정지를 허용하십시오. 척에서 기어 시프터 버튼 (5)을 밀어냅니다.
- ◆ 고속, 저 토크 설정 (위치 2)을 선택하려면 공구를 끄고 멈춥니다. 기어 시프터 버튼을 척쪽으로 다시 밀니다.

참고: 공구가 작동 중일 때 기어를 변경하지 마십시오. 기어를 변경하는 데 문제가 있는 경우 이중 범위 기어 버튼을 완전히 앞으로 밀거나 완전히 뒤로 밀었는지 확인하십시오.

나사 드라이빙

- ◆ 패스너를 구동하려면 정 회전 / 역 회전 버튼을 왼쪽으로 눌러야 합니다.
- ◆ 패스너를 제거하려면 역 회전 버튼(오른쪽으로 눌러 버튼)을 사용하십시오.

참고: 정 회전에서 역 회전으로 또는 그 반대로 이동할 때는 항상 트리거 스위치를 먼저 놓으십시오.

드릴링

- ◆ 날카로운 드릴 비트 만 사용하십시오.
- ◆ 안전 지침의 지시에 따라 제대로 지원하고 안전하게 작업하십시오.
- ◆ 안전 지침에 설명 된대로 적절하고 필요한 안전 장비를 사용하십시오.
- ◆ 안전 지침의 지시에 따라 작업 영역을 고정하고 유지 관리하십시오.
- ◆ 드릴 비트가 빠져 나가지 않도록 구멍이 충분히 시작될 때까지 약간의 압력을 사용하여 드릴을 매우 천천히 실행하십시오.
- ◆ 비트로 직선으로 압력을 가하십시오. 비트를 물지 않도록 충분한 압력을 사용하되 모터를 정지 시키거나 비트를 편향시키지 않도록 하십시오.
- ◆ 두 손으로 드릴을 단단히 잡으십시오. 한 손은 핸들을 잡고 다른 한 손은 배터리 영역 또는 보조 핸들 (제공된 경우) 주위의 바닥을 잡습니다.
- ◆ 시작을 시도할 때 끊인 드릴의 트리거를 클릭하지 마십시오. **드릴에 손상이 발생할 수 있습니다.**
- ◆ 압력을 줄이고 구멍의 마지막 부분을 천천히 드릴링하여 돌파시 스톨을 최소화합니다.

- ◆ 드릴 된 구멍에서 비트를 당기면서 모터를 계속 작동시키십시오. 이렇게 하면 끼임을 줄이는 데 도움이 됩니다.
- ◆ 스위치가 드릴을 켜고 끄는 지 확인하십시오.

목재 드릴링

나무의 구멍은 금속 또는 스페이드 비트에 사용되는 것과 동일한 트위스트 드릴 비트로 만들 수 있습니다. 이 비트는 날카롭고 플루트에서 칩을 제거하기 위해 드릴링할 때 자주 당겨야 합니다.

금속 드릴링

금속을 드릴링할 때 절삭 윤활유를 사용하십시오. 건식 드릴링해야 하는 주철과 황동은 제외됩니다. 가장 잘 작동하는 절삭유는 황화 절삭유입니다.

석조물 드릴링

석조 드릴링의 경우 기호를 표시와 정렬하여 칼라 (3)를 해머 드릴링 위치로 설정합니다. 카바이드 팁 석조 비트를 사용하십시오. 드릴에 균일 한 힘을 유지하십시오. 부드럽고 균일 한 먼지 흐름은 적절한 드릴링 속도를 나타냅니다.

LED 작업등 (그림 H)

트리거 스위치 (1)를 당겨 드릴이 활성화되면 통합 LED 작업 등 (6)이 자동으로 작업 영역을 비춥니다.

참고: 작업등은 바로 작업 표면을 비추기 위한 것이며 손전등으로 사용할 수 없습니다.

문제 해결

문제	가능한 원인	가능한 해결책
기기가 작동하지 않습니다	배터리 팩이 제대로 설치되지 않았습니까. 배터리 팩이 충전되지 않았습니까.	배터리 팩 설치를 확인하십시오. 배터리 팩 충전 요구 사항을 확인하십시오.
배터리 삽입 즉시 장치 작동	스위치가 "켜짐" 위치에 있습니까.	배터리를 삽입 할 때 공구가 즉시 시작되지 않도록 스위치를 "꺼짐"으로 설정해야 합니다.
배터리 팩이 충전되지 않습니다.	배터리 팩이 충전기에 삽입되지 않았습니까. 충전기가 연결되지 않았습니까. 주변 공기 온도가 너무 높거나 너무 낮습니까.	LED가 켜질 때까지 배터리 팩을 충전기에 삽입합니다. 충전기를 작동하는 콘센트에 꽂습니다. 적정 온도에서 충전을 하십시오.
장치가 갑자기 꺼집니다.	배터리 팩이 최대 열 한계에 도달했습니다. 충전이 되지 않습니다. (배터리 팩의 수명을 최대화하기 위해 충전이 고갈되면 갑자기 꺼 지도록 설계되었습니다.	배터리 팩을 식하십시오. 충전기에 놓고 충전하십시오.

유지 보수

STANLEY FATMAX 공구는 최소한의 유지 보수로 장기간 작동하도록 설계되었습니다. 만족스러운 연속 작동은 적절한 공구 관리와 정기적인 청소에 따라 그 성능이 달라질 수 있습니다. 충전기는 정기적 인 청소 외에 유지 관리가 필요하지 않습니다.

경고! 공구에 대한 유지 관리를 수행하기 전에 공구에서 배터리를 제거하십시오. 청소하기 전에 충전기의 플러그를 뽑으십시오.

- ◆ 제품 / 공구 / 충전기의 환기 슬롯을 부드러운 솔이나 마른 천으로 정기적으로 청소하십시오.
- ◆ 젖은 천을 사용하여 모터 하우징을 정기적으로 청소하고
- ◆ 연마제나 솔벤트 기반 세제를 사용하지 마십시오

환경 보호



분리 수거. 이 기호가 표시된 제품과 배터리를 일반 가정용 쓰레기와 함께 처리하면 안됩니다.

제품과 배터리에는 재활되거나 재활용되고 고철 자원에 대한 수요를 줄일 수 있는 자재가 포함되어 있습니다. 지역 규정에 따라 전기 제품을 재활용하십시오.

기술 데이터

		SBD721
전압	V _{DC}	18V (20V MAX)
무부하 속도	Min ⁻¹	0-600 / 0-2100
최대 토크	Nm	80
척 용량	mm	1.5-13
최대 드릴링 용량		
강철 / 나무 / 벽돌	mm	13/40/13
무게	kg	1.2 (배터리 없이)

충전기		SC125	SC200	SC400 SC401
입력 전압	V _{AC}	220-240	220-240	220-240
출력 전압	V _{DC}	18V (20V MAX)	18V (20V MAX)	18V (20V MAX)
전류	A	1.25	2	4

배터리		SB201	SB202	SB204	SB206
전압	V _{DC}	18V (20V MAX)	18V (20V MAX)	18V (20V MAX)	18V (20V MAX)
용량	Ah	1.5	2.0	4.0	6.0
유형		Li-Ion	Li-Ion	Li-Ion	Li-Ion

서비스 정보

STANLEY는 고객들에게 가장 효율적이고 신뢰할 수 있는 서비스를 제공하기 위하여 훈련된 직원들로 센터를 구성하고 있습니다. 사용자의 안전 및 제품의 신뢰성을 보장하기 위하여 제품의 정비, 유지 보수 및 수리는 반드시 공인된 서비스센터에서 수행 해야 합니다. 자격이 없는 곳으로부터 받은 제품의 정비 및 수리는 사용자의 부상 위험 및 불이익을 초래할 수 있습니다. 당사의 공인 서비스 센터에 대한 자세한 정보와 기술 상담, 수리 또는 정품 교체 부품이 필요한 경우 가까운 STANLEY FATMAX 지점에 문의하거나 www.stanleytools.co.kr 을 방문하십시오.