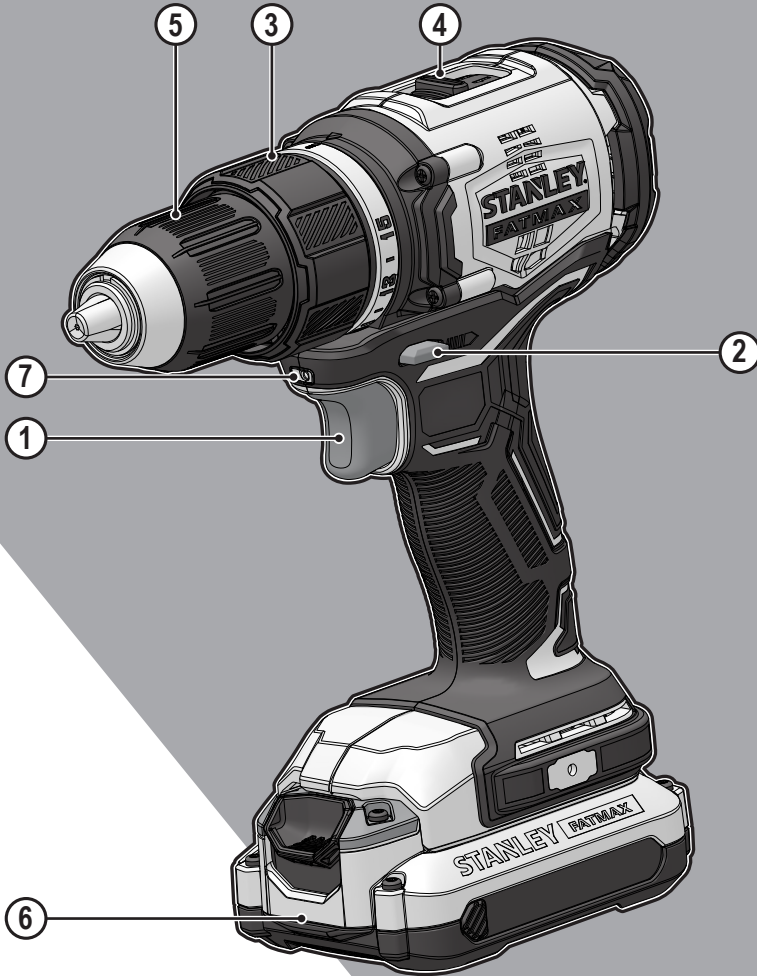


STANLEY[®]
FATMAX[™]

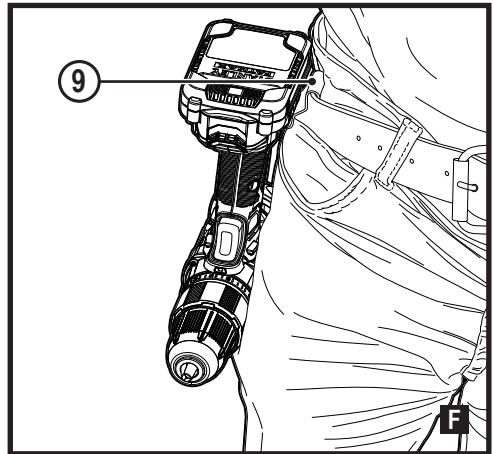
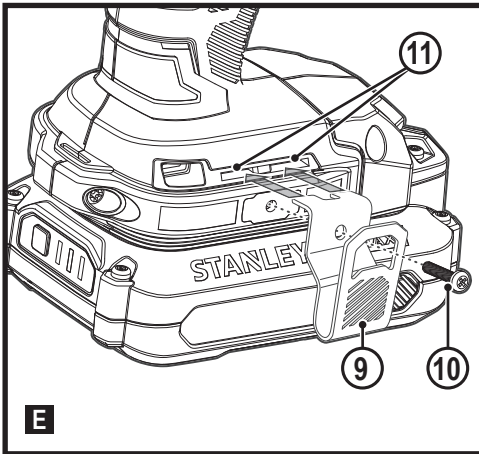
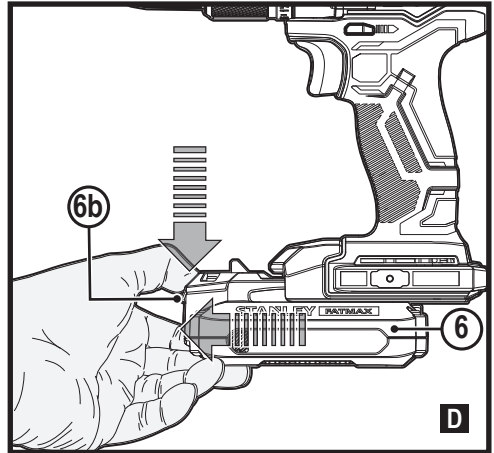
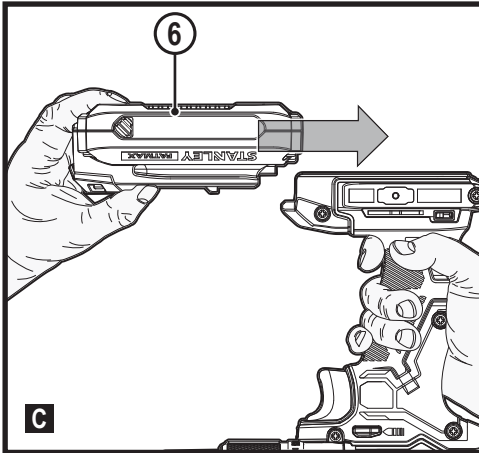
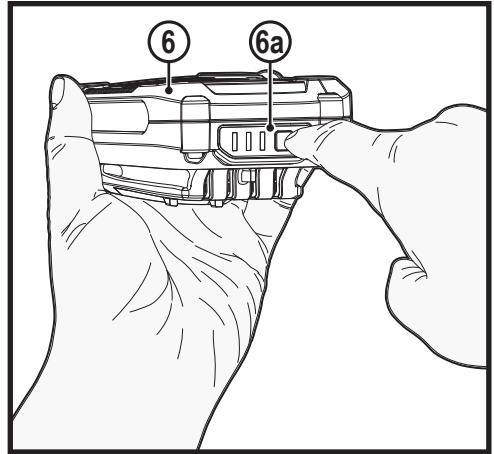
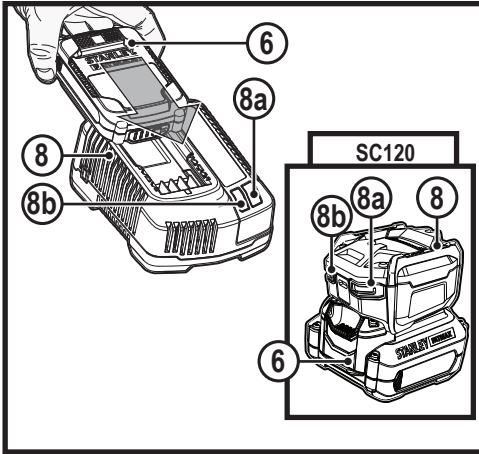
V20
LITHIUM ION

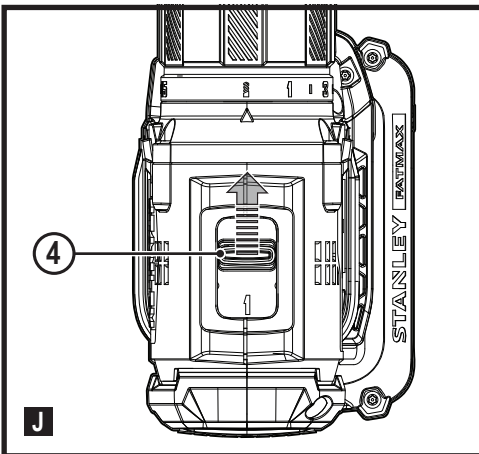
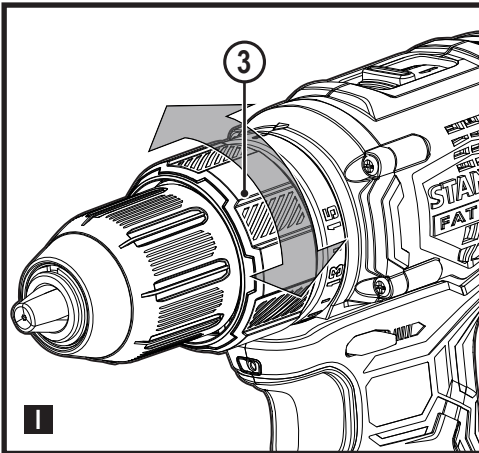
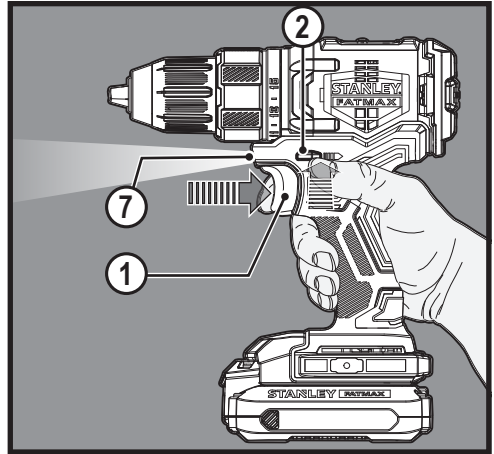
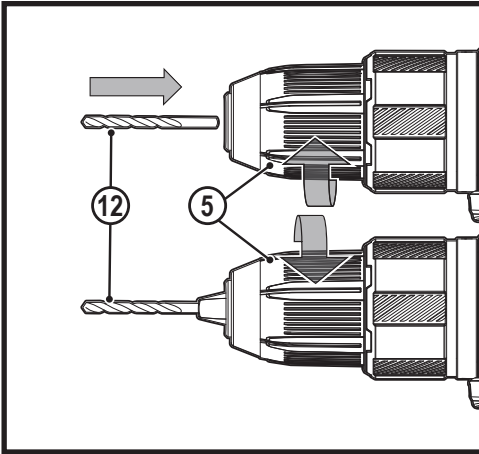


www.stanleytools.com

SBD710

English (<i>original instructions</i>)	4
简体中文	11
繁體中文	17
한국어	22
Bahasa Indonesia	28
ภาษาไทย	36
TIẾNG VIỆT	44





Intended use

Your STANLEY FATMAX SBD710 brushless drill driver has been designed for screwdriving applications and for drilling in wood, metal and plastics. This appliance is intended for professional and private, non-professional users.

Safety instructions

General power tool safety warnings



Warning! Read all safety warnings, instructions, illustrations and specifications provided with this power tool. Failure to follow the warnings and instructions listed below may result in electric shock, fire and/or serious injury..

Save all warnings and instructions for future reference.

The term "power tool" in all of the warnings listed below refers to your mains operated (corded) power tool or battery operated (cordless) power tool.

1. **Work area safety**
 - a. **Keep work area clean and well lit.** Cluttered or dark areas invite accidents.
 - b. **Do not operate power tools in explosive atmospheres, such as in the presence of flammable liquids, gases or dust.** Power tools create sparks which may ignite the dust or fumes.
 - c. **Keep children and bystanders away while operating a power tool.** Distractions can cause you to lose control.
2. **Electrical safety**
 - a. **Power tool plugs must match the outlet. Never modify the plug in any way.**
Do not use any adapter plugs with earthed (grounded)

power tools. Unmodified plugs and matching outlets will reduce risk of electric shock.

- b. **Avoid body contact with earthed or grounded surfaces such as pipes, radiators, ranges and refrigerators.** There is an increased risk of electric shock if your body is earthed or grounded.
 - c. **Do not expose power tools to rain or wet conditions.** Water entering a power tool will increase the risk of electric shock.
 - d. **Do not abuse the cord. Never use the cord for carrying, pulling or unplugging the power tool. Keep cord away from heat, oil, sharp edges or moving parts.** Damaged or entangled cords increase the risk of electric shock.
 - e. **When operating a power tool outdoors, use an extension cord suitable for outdoor use.** Use of a cord suitable for outdoor use reduces the risk of electric shock.
 - f. **If operating a power tool in a damp location is unavoidable, use a residual current device (RCD) protected supply.** Use of an RCD reduces the risk of electric shock.
3. **Personal safety**
 - a. **Stay alert, watch what you are doing and use common sense when operating a power tool.**
Do not use a power tool while you are tired or under the influence of drugs, alcohol or medication. A moment of inattention while operating power tools may result in serious personal injury.
 - b. **Use personal protective equipment. Always wear eye protection.** Protective equipment such as dust mask, non-skid safety shoes, hard hat, or hearing protection used for appropriate conditions will reduce personal injuries.
 - c. **Prevent unintentional starting. Ensure the switch is in the off-position before connecting to power source and/or battery pack, picking up or carrying the tool.** Carrying power tools with your finger on the switch or energising power tools that have the switch on invites accidents.
 - d. **Remove any adjusting key or wrench before turning the power tool on.** A wrench or a key left attached to a rotating part of the power tool may result in personal injury.
 - e. **Do not overreach. Keep proper footing and balance at all times.** This enables better control of the power tool in unexpected situations.
 - f. **Dress properly. Do not wear loose clothing or jewellery. Keep your hair and clothing away from moving parts.** Loose clothes, jewellery or long hair can be caught in moving parts.
 - g. **If devices are provided for the connection of dust**

extraction and collection facilities, ensure these are connected and properly used. Use of dust collection can reduce dust-related hazards.

- h. **Do not let familiarity gained from frequent use of tools allow you to become complacent and ignore tool safety principles.** A careless action can cause severe injury within a fraction of a second.
4. **Power tool use and care**
 - a. **Do not force the power tool. Use the correct power tool for your application.**
The correct power tool will do the job better and safer at the rate for which it was designed.
 - b. **Do not use the power tool if the switch does not turn it on and off.** Any power tool that cannot be controlled with the switch is dangerous and must be repaired.
 - c. **Disconnect the plug from the power source and/or the battery pack from the power tool before making any adjustments, changing accessories, or storing power tools.** Such preventive safety measures reduce the risk of starting the power tool accidentally.
 - d. **Store idle power tools out of the reach of children and do not allow persons unfamiliar with the power tool or these instructions to operate the power tool.**
Power tools are dangerous in the hands of untrained users.
 - e. **Maintain power tools and accessories. Check for misalignment or binding of moving parts, breakage of parts and any other condition that may affect the power tools operation. If damaged, have the power tool repaired before use.** Many accidents are caused by poorly maintained power tools.
 - f. **Keep cutting tools sharp and clean.** Properly maintained cutting tools with sharp cutting edges are less likely to bind and are easier to control.
 - g. **Use the power tool, accessories and tool bits etc. in accordance with these instructions, taking into account the working conditions and the work to be performed.**
Use of the power tool for operations different from those intended could result in a hazardous situation.
 - h. **Keep handles and grasping surfaces dry, clean and free from oil and grease.** Slippery handles and grasping surfaces do not allow for safe handling and control of the tool in unexpected situations.
 5. **Battery tool use and care**
 - a. **Recharge only with the charger specified by the manufacturer.** A charger that is suitable for one type of battery pack may create a risk of fire when used with another battery pack.
 - b. **Use power tools only with specifically designated**

battery packs. Use of any other battery packs may create a risk of injury and fire.

- c. **When battery pack is not in use, keep it away from other metal objects, like paper clips, coins, keys, nails, screws, or other small metal objects, that can make a connection from one terminal to another.** Shorting the battery terminals together may cause burns or a fire.
 - d. **Under abusive conditions, liquid may be ejected from the battery; avoid contact. If contact accidentally occurs, flush with water. If liquid contacts eyes, additionally seek medical help.** Liquid ejected from the battery may cause irritation or burns.
 - e. **Do not use a battery pack or tool that is damaged or modified.** Damaged or modified batteries may exhibit unpredictable behaviour resulting in fire, explosion or risk of injury.
 - f. **Do not expose a battery pack or tool to fire or excessive temperature.** Exposure to fire or temperature above 130 °C may cause explosion.
 - g. **Follow all charging instructions and do not charge the battery pack or tool outside the temperature range specified in the instructions.** Charging improperly or at temperatures outside the specified range may damage the battery and increase the risk of fire.
- 6. Service**
- a. **Have your power tool serviced by a qualified repair person using only identical replacement parts.** This will ensure that the safety of the power tool is maintained.
 - b. **Never service damaged BATTERY packs.** Service of BATTERY packs should only be performed by the manufacturer or authorized service providers.

Additional power tool safety warnings

- ◆ **Use clamps or another practical way to secure and support the work piece to a stable platform.** Holding the work by hand or against your body leaves it unstable and may lead to loss of control.
- ◆ **Before driving fasteners into walls, floors or ceilings, check for the location of wiring and pipes.**
- ◆ **The intended use is described in this instruction manual.**
- ◆ **The use of any accessory or attachment or performance of any operation with this tool other than those recommended in this instruction manual may present a risk of personal injury and/or damage to property.**

1) Safety instructions for all operations

- a) **Brace the tool properly before use.** This tool produces a high output torque and without properly bracing the tool

during operation, loss of control may occur resulting in personal injury.

- b) **Hold the power tool by insulated gripping surfaces, when performing an operation where the cutting accessory may contact hidden wiring.** Cutting accessory contacting a "live" wire may make exposed metal parts of the power tool "live" and could give the operator an electric shock.
- ### 2) Safety instructions when using long drill bits
- a) **Never operate at higher speed than the maximum speed rating of the drill bit.** At higher speeds, the bit is likely to bend if allowed to rotate freely without contacting the workpiece, resulting in personal injury.
 - b) **Always start drilling at low speed and with the bit tip in contact with the workpiece.** At higher speeds, the bit is likely to bend if allowed to rotate freely without contacting the workpiece, resulting in personal injury.
 - c) **Apply pressure only in direct line with the bit and do not apply excessive pressure.** Bits can bend causing breakage or loss of control, resulting in personal injury.

Safety of others

- ◆ This tool is not intended for use by persons (including children) with reduced physical, sensory or mental capabilities, or lack of experience and knowledge, unless they have been given supervision or instruction concerning use of the appliance by a person responsible for their safety.
- ◆ Children should be supervised to ensure that they do not play with the appliance.

Residual risks











Additional residual risks may arise when using the tool which may not be included in the enclosed safety warnings. These risks can arise from misuse, prolonged use etc.

Even with the application of the relevant safety regulations and the implementation of safety devices, certain residual risks can not be avoided. These include:

- ◆ Injuries caused by touching any rotating/moving parts.
- ◆ Injuries caused when changing any parts, blades or accessories.
- ◆ Injuries caused by prolonged use of a tool. When using any tool for prolonged periods ensure you take regular breaks.
- ◆ Impairment of hearing.
- ◆ Health hazards caused by breathing dust developed when using your tool (example:- working with wood, especially oak, beech and MDF.)

Labels on tool

The label on your tool may include the following symbols:

	Warning! Do not stare at operating lamp.		
	WARNING! To reduce the risk of injury, the user must read the instruction manual before use.		
	Wear safety glasses or goggles.		
	Wear ear protection.		
	Wear a dust mask.		
V	Volts		Direct Current
A	Amperes	no	No-Load Speed
Hz	Hertz		Class II Construction
W	Watts		Earthing Terminal
min	minutes		Safety Alert Symbol
	Alternating Current	/min.	Revolutions or Reciprocation per minute

Additional safety instructions for batteries and chargers

Batteries

- ◆ Never attempt to open for any reason.
- ◆ Do not expose the battery to water.
- ◆ Do not store in locations where the temperature may exceed 40 °C.
- ◆ Charge only at ambient temperatures between 10 °C and 40 °C.
- ◆ Charge only using the charger provided with the tool.
- ◆ When disposing of batteries, follow the instructions given in the section "Protecting the environment".

Chargers

- ◆ Use your STANLEY FATMAX charger only to charge the battery in the tool with which it was supplied. Other batteries could burst, causing personal injury and damage.
- ◆ Never attempt to charge non-rechargeable batteries.
- ◆ Have defective cords replaced immediately.
- ◆ Do not expose the charger to water.
- ◆ Do not open the charger.
- ◆ Do not probe the charger.



The charger is intended for indoor use only.



Read the instruction manual before use.



Do not attempt to charge damaged batteries.

Electrical safety



Your charger is double insulated; therefore no earth wire is required. Always check that the mains voltage corresponds to the voltage on the rating plate. Never attempt to replace the charger unit with a regular mains plug.

- ◆ If the supply cord is damaged, it must be replaced by the manufacturer or an authorised STANLEY FATMAX Service Centre in order to avoid a hazard.

Warning! Never attempt to replace the charger unit with a regular mains plug.

Features

This appliance includes some or all of the following features.

1. Trigger Switch
2. Forward/Reverse Button
3. Torque Adjust Collar
4. Dual Range Gear Selector
5. Keyless Chuck
6. Battery
7. LED Work Light

Use

Warning! Let the tool work at its own pace. Do not overload.

Charging the battery (Fig. A)

The battery needs to be charged before first use and whenever it fails to produce sufficient power on jobs that were easily done before. The battery may become warm while charging; this is normal and does not indicate a problem.

Warning! Do not charge the battery at ambient temperatures below 10 °C or above 40 °C. Recommended charging temperature: approx. 24 °C.

Note: The charger will not charge a battery if the cell temperature is below approximately 10 °C or above 40 °C. The battery should be left in the charger and the charger will begin to charge automatically when the cell temperature warms up or cools down.

Note: To ensure maximum performance and life of lithium-ion battery packs, charge the battery pack fully before first use.

- ◆ Plug the charger (8) into an appropriate outlet before inserting battery pack (6).
- ◆ The green charging light (8a) will blink continuously

indicating that the charging process has started.

- ◆ The completion of charge will be indicated by the green charging light (8a) remaining ON continuously. The battery pack (6) is fully charged and may be removed and used at this time or left in the charger (8).
- ◆ Charge discharged batteries within 1 week. Battery life will be greatly diminished if stored in a discharged state.

Charger LED Modes

Indicators for all chargers except SC120		
	Charging	
	Fully Charged	
	Hot/Cold Pack Delay	
Only SC120 Charger Indicators		
	Charging	
	Fully Charged	
	Hot/Cold Pack Delay	

Note: The compatible charger(s) will not charge a faulty battery pack. The charger will indicate a faulty battery pack by refusing to light.

Note: This could also mean a problem with a charger. If the charger indicates a problem, take the charger and battery pack to be tested at an authorized service centre.

Leaving the battery in the charger

The charger and battery pack can be left connected with the LED glowing indefinitely. The charger will keep the battery pack fresh and fully charged.

Hot/Cold Pack Delay

When the charger detects a battery that is too hot or too cold, it automatically starts a Hot/Cold Pack Delay, the green LED (8a) will flash intermittently, while the red LED (8b) will remain on continuously, suspending charging until the battery has reached an appropriate temperature. The charger then automatically switches to the pack charging mode. This feature ensures maximum battery life.

Battery state of charge indicator (Fig. B)

The battery includes a state of charge indicator to quickly determine the extent of battery life as shown in figure B. By pressing the state of charge button (6a) you can easily view the charge remaining in the battery as illustrated in figure B.

Wall Mounting

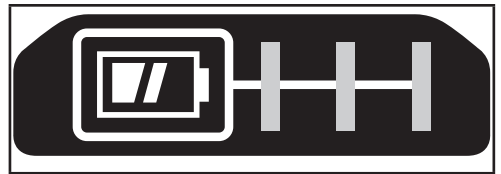
Some STANLEY FATMAX chargers are designed to be wall

mountable or to sit upright on a table or work surface.

If wall mounting, locate the charger within reach of an electrical outlet, and away from a corner or other obstructions which may impede air flow. Use the back of the charger as a template for the location of the mounting screws on the wall. Mount the charger securely using drywall screws (purchased separately) at least 1" (25.4 mm) long, with a screw head diameter of 0.28–0.35" (7–9 mm), screwed into wood to an optimal depth leaving approximately 7/32" (5.5 mm) of the screw exposed. Align the slots on the back of the charger with the exposed screws and fully engage them in the slots.

NOTE: Do not attempt to mount SC120 charger under a bench or table.

NOTE: Only mount SC120 charger with the charging lights pointed upward toward the ceiling.



Installing and Removing the Battery Pack from the tool

Warning! Make certain the lock-off button is engaged to prevent switch actuation before removing or installing battery.

To install battery pack (Fig. C)

- ◆ Insert battery pack firmly into tool until an audible click is heard as shown in figure C. Ensure battery pack is fully seated and fully latched into position.

To remove battery pack (Fig. D)

- ◆ Depress the battery release button (6b) as shown in figure D and pull battery pack out of tool.

Belt hook (Optional extra) (Fig. E, F)

Warning! To reduce the risk of serious personal injury, place the forward/reverse button in the lock-off position or turn tool off and disconnect battery pack before making any adjustments or removing/installing attachments or accessories. An accidental start-up can cause injury.

Warning! To reduce the risk of serious personal injury, ONLY use the tool's belt hook (9) to hang the tool from a work belt. DO NOT use the belt hook (9) for tethering or securing the tool to a person or object during use. DO NOT suspend tool overhead or suspend objects from the belt hook.

Warning! To reduce the risk of serious personal injury, ensure the screw (10) holding the belt hook is secure.

Note: When attaching or replacing the belt hook (9), use only the screw (10) that is provided. Be sure to securely tighten the screw.

The belt hook (9) can be attached by sliding into the slots (11) on either side of the tool using only the screw (10) provided, to accommodate left- or right- handed users. If the hook is not desired at all, it can be removed from the tool.

To move the belt hook, remove the screw (10) that holds the belt hook (9) in place then reassemble on the opposite side. Be sure to securely tighten the screw (10).

Note: Various trackwall hooks and storage configurations are available. Please visit our website www.stanley.eu/3 for further information.

Keyless chuck (Fig. G)

Warning! Make certain the battery pack is removed to prevent tool actuation before installing or removing accessories.

To insert a drill bit or other accessory:

- ◆ Grasp the chuck (5) and rotate it in the counterclockwise direction, as viewed from the chuck end.
- ◆ Insert the bit or other accessory (12) fully into the chuck and tighten securely by rotating the chuck in the clockwise direction as viewed from the chuck end.

Warning! Do not attempt to tighten or loosen drill bits (or any other accessory) by gripping the front part of the chuck and turning the tool on. Damage to the chuck and personal injury may occur when changing accessories.

Trigger switch & forward/reverse button (Fig H)

- ◆ The drill is turned ON and OFF by pulling and releasing the trigger switch (1) shown in figure H. The farther the trigger is depressed, the higher the speed of the drill.
- ◆ A forward/reverse control button (2) determines the rotational direction of the tool and also serves as a lock off button.
- ◆ To select forward rotation, release the trigger switch and depress the forward/reverse control button on the right side of the tool.
- ◆ To select reverse, depress the forward/reverse control button on the left side of the tool.
- ◆ The centre position of the control button locks the tool in the off position. When changing the position of the control button, be sure the trigger is released.

Adjusting torque control (Fig I)

This tool is fitted with a torque adjustment collar (3) to select the operating mode and to set the torque for tightening screws. Large screws and hard workpiece materials require a higher torque setting than small screws and soft workpiece materials.

- ◆ For drilling in wood, metal and plastics, set the collar (3) to the drilling position symbol.
- ◆ For screwdriving, set the collar to the desired setting. If

you do not yet know the appropriate setting, proceed as follows:

- ◆ Set the collar to the lowest torque setting.
- ◆ Tighten the first screw.
- ◆ If the clutch ratchets before the desired result is achieved, increase the collar setting and continue tightening the screw.
- ◆ Repeat until you reach the correct setting.
- ◆ Use this setting for the remaining screws.

Dual range switch (Fig J)

The dual range feature of your drill allows you to shift gears for greater versatility.

- ◆ To select low speed, high torque setting (position 1), turn tool off and permit to stop. Slide gear shifter button (4) away from the chuck.
- ◆ To select the high speed, low torque setting (position 2), turn tool off and permit to stop. Slide gear shifter button back toward the chuck.

Note: Do not change gears when tool is running. If you are having trouble changing gears, make sure that the dual range gear button is either completely pushed forward or completely pushed back.

Screw driving

- ◆ For driving fasteners, the forward/reverse button should be pushed to the left.
- ◆ Use reverse (button pushed to the right) for removing fasteners.

Note: When moving from forward to reverse, or vice versa, always release the trigger switch first.

Drilling

- ◆ Use sharp drill bits only.
- ◆ Support and secure work properly, as instructed in the Safety Instructions.
- ◆ Use appropriate and required safety equipment, as instructed in the Safety Instructions.
- ◆ Secure and maintain work area, as instructed in the Safety Instructions.
- ◆ Run the drill very slowly, using light pressure, until the hole is started enough to keep the drill bit from slipping out of it.
- ◆ Apply pressure in a straight line with the bit. Use enough pressure to keep the bit biting but not so much as to stall the motor or deflect the bit.
- ◆ Hold the drill firmly with two hands, one hand on the handle, and the other gripping the bottom around the battery area or the auxiliary handle if provided.
- ◆ **DO NOT CLICK THE TRIGGER OF A STALLED DRILL OFF AND ON IN AN ATTEMPT TO START IT. DAMAGE TO THE DRILL CAN RESULT.**
- ◆ Minimize stalling on breakthrough by reducing pressure and slowly drilling through the last part of the hole.

- ◆ Keep the motor running while pulling the bit out of a drilled hole. This will help reduce jamming.
- ◆ Make sure switch turns drill on and off.

- ◆ Regularly clean the ventilation slots in your tool and charger using a soft brush or dry cloth.
- ◆ Regularly clean the motor housing using a damp cloth.
- ◆ Do not use any abrasive or solvent-based cleaner.

Drilling in wood

Holes in wood can be made with the same twist drill bits used for metal or with spade bits. These bits should be sharp and should be pulled out frequently when drilling to clear chips from the flutes.

Drilling in metal

Use a cutting lubricant when drilling metals. The exceptions are cast iron and brass which should be drilled dry. The cutting lubricants that work best are sulphurized cutting oil.

LED work light (Fig H)

When drill is activated by pulling the trigger switch (1), the integrated LED work light (7) will automatically illuminate the work area. **Note:** The work light is for lighting the immediate work surface and is not intended to be used as a flashlight.

Troubleshooting

Problem	Possible cause	Possible solution
Unit will not start.	Battery pack not installed properly. Battery pack not charged.	Check battery pack installation. Check battery pack charging requirements.
Unit starts immediately upon inserting battery	The switch has been left in the "on" position.	The switch must be moved to "off" to prevent the tool from immediately starting when battery is inserted.
Battery pack will not charge.	Battery pack not inserted into charger. Charger not plugged in. Surrounding air temperature too hot or too cold.	Insert battery pack into charger until LED lights. Plug charger into a working outlet. Move charger and battery pack to a surrounding air temperature of above 45 °C or below +40.5 °C.
Unit shuts off abruptly.	Battery pack has reached its maximum thermal limit. Out of charge. (To maximize the life of the battery pack it is designed to shutoff abruptly when the charge is depleted)	Allow battery pack to cool down. Place on charger and allow to charge.

Maintenance

Your STANLEY FATMAX tool has been designed to operate over a long period of time with a minimum of maintenance. Continuous satisfactory operation depends upon proper tool care and regular cleaning.

Your charger does not require any maintenance apart from regular cleaning.

Warning! Before performing any maintenance on the tool, remove the battery from the tool. Unplug the charger before cleaning it.

Protecting the environment



Separate collection. Products and batteries marked with this symbol must not be disposed of with normal household waste.

Products and batteries contain materials that can be recovered or recycled reducing the demand for raw materials. Please recycle electrical products and batteries according to local provisions. Further information is available at www.2helpU.com

Technical data

		SBD710
Voltage	V _{DC}	18V (20V MAX)
No-load speed	Min ⁻¹	0-600 / 0-1900RPM
Max. torque	Nm	60
Chuck capacity	mm	1.5-13
Max Drilling capacity		
Steel/wood	mm	13/30
Weight	kg	1.2 (without battery)

Charger		SC125	SC200	SC400 SC401	SC120
Input Voltage	V _{AC}	220-240	220-240	220-240	220-240
Output Voltage	V _{DC}	18V (20V MAX)	18V (20V MAX)	18V (20V MAX)	18V (20V MAX)
Current	A	1.25	2	4	1.25

Battery		SB201	SB202	SB204	SB206
Voltage	V _{DC}	18V (20V MAX)	18V (20V MAX)	18V (20V MAX)	18V (20V MAX)
Capacity	Ah	1.5	2.0	4.0	6.0
Type		Li-Ion	Li-Ion	Li-Ion	Li-Ion

SERVICE INFORMATION

STANLEY FATMAX offers a full network of company-owned and authorized service locations. All STANLEY FATMAX Service Centers are staffed with trained personnel to provide customers with efficient and reliable power tool service.

For more information about our authorized service centers and if you need technical advice, repair, or genuine factory replacement parts, contact the STANLEY FATMAX location nearest you or visit us at www.stanleytools.com

设计用途

您的STANLEY FATMAX SBD710无刷钻孔机被设计用于拧紧螺丝，在木材、金属和塑料上钻孔。该工具适用于专业用户，同时也适合私人、非专业用户使用。

安全说明

电动工具通用安全警告



警告! 阅读随电动工具提供的所有安全警告、说明、图示和规定。不遵照以下所列说明会导致电击、着火和/或严重伤害。

保存所有警告和说明书以备查阅。

警告中的术语“电动工具”指市电驱动(有线)电动工具或电池驱动(无线)电动工具。

1. 工作场地的安全

- 保持工作场地清洁和明亮。杂乱和黑暗的场地会引发事故。
- 不要在易爆环境，如有易燃液体、气体或粉尘的环境下操作电动工具。电动工具产生的火花会点燃粉尘或气体。
- 操作电动工具时，远离儿童和旁观者。注意力不集中会使你失去对工具的控制。

2. 电气安全

- 电动工具插头必须与插座相配。绝不能以任何方式改装插头。需接地的电动工具不能使用任何转换插头。未经改装的插头和相配的插座将降低电击风险。
- 避免人体接触接地表面，如管道、散热片和冰箱。如果你身体接触接地表面会增加电击风险。
- 不得将电动工具暴露在雨中或潮湿环境中。水进入电动工具将增加电击风险。
- 不得滥用软线。绝不能用软线搬运、拉动电动工具或拔出其插头。使软线远离热源、油、锐边或运动部件。受损或缠绕的软线会增加电击风险。
- 当在户外使用电动工具时，使用适合户外使用的延长线。适合户外使用的电线将降低电击风险。
- 如果无法避免在潮湿环境下操作电动工具，应使用带有剩余电流装置(RCD)保护的电源。RCD的使用可降低电击风险。

3. 人身安全

- 保持警觉，当操作电动工具时关注所从事的操作并保持清醒。当你感到疲倦，或在有药物、酒精或治疗反应时，不要操作电动工具。在操作电动工具时瞬间的疏忽会导致严重人身伤害。
- 使用个人防护装置。始终佩戴护目镜。防护装置，诸如适当条件下使用防尘面具、防滑安全鞋、安全帽、听力防护等装置能减少人身伤害。
- 防止意外启动。在连接电源和/或电池盒、拿起或搬运工具前确保开关处于关断位置。手指放在开关上搬运工具或开关处于接通时通电会导致危险。
- 在电动工具接通之前，拿掉所有调节钥匙或扳手。遗留在电动工具旋转零件上的扳手或钥匙会导致人身伤害。
- 不要过分疲劳。时刻注意劳逸结合和身体平衡。这样能在意外

情况下能更好地控制住电动工具。

- 着装适当。不要穿宽松衣服或佩戴饰品。让你的头发和衣服远离运动部件。宽松衣服、配饰或长发可能会卷入运动部件。
- 如果提供了与排屑、集尘设备连接用的装置，要确保其连接完好且使用得当。使用集尘装置可降低尘屑引起的危险。
- 不要因为频繁使用工具而产生的熟悉感而掉以轻心，忽视工具的安全准则。某个粗心的动作可能在瞬间导致严重的伤害。

4. 电动工具使用和注意事项

- 不要勉强使用电动工具，根据用途使用合适的电动工具。选用合适的按照额定值设计的电动工具会使你工作更有效、更安全。
- 如果开关不能接通或关断电源，则不能使用该电动工具。不能通过开关来控制的电动工具是危险的且必须进行修理。
- 在进行任何调节、更换附件或贮存电动工具之前，必须从电源上拔掉插头和/或卸下电池包(如可拆卸)。这种防护性的安全措施降低了电动工具意外启动的风险。
- 将闲置不用的电动工具贮存在儿童所及范围之外，并且不允许不熟悉电动工具和不了解这些说明的人操作电动工具。电动工具在未经培训的使用者手中是危险的。
- 维护电动工具及其附件。检查运动部件是否调整到位或卡住，检查零件破损情况和影响电动工具运行的其他状况。如有损坏，应在使用前修理好电动工具。许多事故是由维护不良的电动工具引发的。
- 保持切削刀具锋利和清洁。维护良好地有锋利切削刃的刀具不易卡住而且容易控制。
- 按照使用说明书，并考虑作业条件和要进行的作业来选择电动工具、附件和工具的刀头等。将电动工具用于那些与其用途不符的操作可能会导致危险情况。
- 保持手柄和握持表面干燥、清洁，不得沾有油脂。在意外的情况下，湿滑的手柄不能保证握持的安全和对工具的控制。

5. 电池式工具使用和注意事项

- 仅使用生产者规定的充电器充电。将适用于某种电池包的充电器用到其他电池包时可能会发生着火危险。
- 仅使用配有专用电池包的电动工具。使用其他电池包可能会产生伤害和着火危险。
- 当电池包不用时，将它远离其他金属物体，例如回形针、硬币、钥匙、钉子、螺钉或其他小金属物体，以防电池包一端与另一端连接。电池包端部短路会引起燃烧或着火。
- 在滥用条件下，液体可能会从电池包中溅出，应避免接触。如果意外碰到液体，用水冲洗。如果液体碰到了眼睛，还要寻求医疗帮助。从电池中溅出的液体可能会发生腐蚀或燃烧。
- 不要使用损坏或改装过的电池包或工具。损坏或改装过的电池包可能呈现无法预测的结果，导致着火、爆炸或伤害。
- 不要将电池包暴露于火或高温中。电池包暴露于火或高于130°C的高温中可能导致爆炸。
- 请遵循所有充电说明，请勿在说明中规定的温度范围以外的环境对电池包或工具充电。不当或在指定范围以外的温度下充电，可能导致电池损坏并增加火灾风险。

6. 维修

- 让专业维修人员使用相同的备件维修电动工具。这将保证所维修的电动工具的安全。
- 决不能维修损坏的电池包。电池包仅能由生产者或其授权的维修服务商进行维修。

附加专用安全规定

- 使用夹具或其他实用的方法，将工件固定、支撑到稳定的平台上。手持或用身体顶住工件都是不稳定的，会导致操作失控。
- 先检查布线和管道的位置，然后再将紧固件打入墙面、地板或天花板中。
- 该说明手册介绍了该工具的目的用途。
- 在本说明书推荐的范围以外，使用其他附件或配件或用该工具进行任何其他操作，均可能会造成人员受伤和/或财产损失的风险。

1) 所有操作的使用说明

- 使用工具前请为其提供适当的支撑。该工具能产生高输出扭矩。如果在操作中没有为工具提供适当支撑，就会导致失控，造成人员受伤。
- 当在紧固件可能触碰到暗线的场所进行操作时，应通过绝缘握持面来握住电动工具。紧固件碰到带电导线会使工具外露的金属零件带电，导致操作者触电。

2) 使用长钻头时的安全说明

- 操作时，请勿让运行速度超过钻头最大的额定速度。在超速的情况下，如果钻头自由转动而不接触工件，那么钻头可能会弯折，从而导致人员受伤。
- 钻孔时，务必先从低速开始，让钻头先接触工件。在超速的情况下，如果钻头自由转动而不接触工件，那么钻头可能会弯折，从而导致人员受伤。
- 仅沿着与钻头成直线的方向施加压力，而且压力不能过大。钻头可能会弯折，造成损坏或失控，导致人员受伤。

他人安全

- 生理、感官或心理机能较差的人员(包括儿童)，或者对该类产品缺少使用经验和知识的人员，除非由负责其安全的人员提供使用工具的监督或指示，否则不得使用此工具。
- 应看管好儿童，以确保他们不将此设备当做玩具来玩。

剩余风险

使用工具时，可能出现本安全警示之外的其他剩余风险。这些风险可能来自使用不当、使用时间过长等。尽管遵守了相关的安全法规并采用了安全装备，某些剩余风险仍然是无法避免的。这些风险包括：

- 接触旋转/运动部件时所导致的伤害风险。
- 更换零件、锯片或配件时所导致的伤害风险。
- 长期使用工具所导致的伤害风险。长期使用任何工具时，均应定期休息。
- 听力损伤风险。

- 吸入工具使用过程中产生的粉尘导致的健康危害(例如，锯切木材，特别是橡木、山毛榉和中密度纤维板时)。

工具上的标记

您工具上的标签可能包含以下符号：

	警告! 请勿直视工作灯。		
	警告! 为降低伤害风险, 用户在使用前, 必须认真阅读手册。		
	佩戴安全眼镜或护目镜。		
	佩戴听力保护器。		
	佩戴防尘口罩。		
V	伏特		直流电
A	安培	n0	额定转速
Hz	赫兹		II级构造
W	瓦特		接地端子
min	分钟		安全警示符号
	交流电	/min.	每分钟转速

电池和充电器

电池

- 不论基于任何理由，都不要尝试打开电池。
- 请勿将电池暴露在水中。
- 请勿将电池存放在温度可能超过40°C的地方。
- 只在环境温度介于10°C和40°C之间的情况下充电。
- 仅用工具随附的充电器进行充电。
- 处置电池时，请遵循“保护环境”部分所提供的说明进行。

充电器

- 只能使用STANLEY FATMAX专属电池充电器为电池充电。其他电池可能会爆裂、导致人身伤害和损害。
- 切勿尝试为不可再充电的电池充电。
- 应立即更换有缺陷的电线。
- 请勿将充电器暴露在水中。
- 请勿打开充电器。
- 请勿刺破充电器。



充电器仅供室内使用。



使用前请阅读使用手册。



不要尝试对损坏的电池充电。

电气安全



本工具随附充电器 (如有) 为双重绝缘, 因此无需接地线。请务必检查电源电压是否与铭牌上的电压一致。切勿尝试使用一般的电源插头替换充电器。是否与铭牌上的电压一致。

- 如果电源线损坏, 必须让制造商或授权的STANLEY FATMAX服务中心更换以避免发生危险。



警告! 不得试图用普通电源插头来替代充电器单元。

功能部件

本设备包含如下部分或全部部件。

- 扳机开关
- 前进/后退按钮
- 扭矩调节套圈
- 双档换挡杆
- 自锁夹头
- 电池
- LED作业灯

使用

警告! 请让工具按照自有节奏工作。请勿超负荷。

为电池充电 (图A)

电池在首次使用之前, 以及无法像从前一样为轻松作业提供足够的电量时, 都需要充电。电池在充电时可能会变热; 这是正常现象, 而且并不表示出现问题。

警告! 请勿在环境温度低于10°C或高于40°C的状况下为电池充电。建议的充电温度为大约24°C。

注: 若电池温度低于约10°C或高于40°C, 充电器将不会为电池充电。

电池应留在充电器内, 充电器会在电池温度升高或降低到合适温度时自动开始充电。

注意: 为确保锂离子电池包能实现最高性能, 延长使用寿命, 请在首次使用前为电池包充满电。

- 先将充电器 (8) 插入适合的插座, 然后再插入电池包 (6)。
- 绿色充电指示灯 (8a) 持续闪烁, 表示开始充电。
- 绿色充电指示灯 (8a) 常亮, 表示充电完成。电池包 (6) 已充满电, 可以取下使用, 也可以留在充电器上 (8)。
- 请在一周内对已放电的电池充电。如果电池长期处于放电状态, 那么电池寿命将大大缩短。

充电器的LED灯模式

充电器的LED模式 (除SC120外)

	充电中	--- ---	
	充电完成	————	
	高温/低温电池包延迟	--- ---	

充电器的LED模式 (仅限SC120)

	充电中	--- ---	
	充电完成	————	
	高温/低温电池包延迟	--- ---	

注意: 兼容充电器不会对故障电池包充电。如果充电器的指示灯不会亮起, 表示电池包存在故障。

注意: 这可能也表示充电器有问题。如果充电器显示有问题, 请将充电器和电池包送到授权服务中心接受检测。

将电池留在充电器内

可以让充电器和电池包保持连通状态, LED持续闪烁。充电器将保持其中的电池包始终处于充满电量的状态。

高温/低温电池包延迟:

如果充电器检测到电池的温度过高或过低, 充电器就会自动启动高温/低温电池包延迟, 绿色LED (8a) 将闪烁, 同时红色LED (8b) 将常亮, 充电暂停, 直至电池恢复到适当温度。然后, 充电器会自动切换到到电池包充电模式。这个特色功能可以最大限度地延长电池寿命。

电池充电状态指示灯 (图B)

如图B所示, 电池上有一个电量状态指示灯, 能够快速确定电池寿命。按下电量状态按钮 (6a), 您就能查看电池中的剩余电量, 如图B所示。

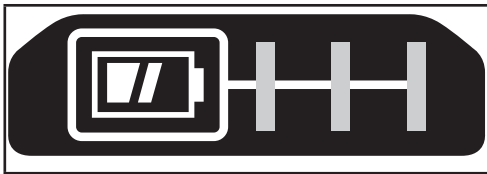
壁挂式安装

有一些STANLEY FATMAX充电器被设计为可以安装在墙上, 也可以直立在桌面或工作台上。

如果安装在墙上, 请确保充电器的位置可以连接到电源插座, 并且远离墙角或其他可能妨碍空气流通的障碍物。将充电器背面作为在墙上安装螺丝的位置模板。使用至少25.4毫米长、螺丝帽直径至少7-9毫米的石膏板螺丝 (单独购买) 牢牢固定充电器, 将螺丝最大限度地钉入木材, 预留约5.5毫米露在墙外。将充电器背面的安装槽对准露出的螺丝, 完全放置到位。

注意: 请不要将SC120充电器安装在桌子或工作台下面。

注意: 安装SC120充电器时, 请确保充电灯朝上指向天花板。



在工具上安装和拆除电池包

警告!先按下锁定按钮,防止触发开关,然后再拆除或安装电池。

安装电池包(图C)

- 如图C所示,将电池包插入工具,直至听见“咔哒”一声。确保电池包安装并锁定到位。

拆除电池包(图D)

- 如图D所示,按下电池释放按钮(6b)并将电池包从工具中取出。

安全带挂钩(可选附件)(图E, F)

警告!为降低严重人员受伤的风险,请让前进/后退按钮置于锁定位置,或关闭工具并取下电池包,然后再进行任何调整或拆除/安装附件或配件。意外启动可能会造成伤害。

警告!为降低严重人员受伤的风险,只可使用这款工具的安全带挂钩(9)将工具悬挂在作业安全带上。在使用过程中,请勿用安全带挂钩(9)将工具栓系或固定到人或物体上。请勿将工具悬挂于头顶上方或将物体悬挂在安全带挂钩上。

警告!为降低严重人员受伤的风险,请确保固定安全带挂钩的螺栓(10)足够紧固。

注意:如需安装或更换安全带挂钩(9),只可使用工具提供的螺栓(10),确保牢牢紧固螺栓。

可以通过随附螺丝(10)滑动皮带挂钩(9),使其进入工具任何一侧的沟槽(11),以便于惯用左手或右手的用户使用。如果无需挂钩,可将其从工具上拆除。

如需拆除皮带挂钩(9),请拆除固定皮带挂钩的螺丝(10),然后在对面重新安装。确保拧紧螺丝(10)。

注意:有多种墙壁导轨挂钩和存放配置。

请访问网站www.stanley.eu/3,了解更多信息。

自锁夹头(图G)

警告!确保已将电池包拆除,防止在安装或拆除附件前启动工具。如需插入钻头或其他附件:

- 抓住夹头(5)并逆时针转动(从夹头端着)。
- 将钻头或其他附件(12)完全插入夹头中,并顺时针拧紧(从夹头端着)。

警告!不得试图握住夹头前部来拧紧或松开钻头(或任何其他附件)并启动工具。

在更换附件时,可能会损坏夹头,造成人员受伤。

扳机开关和前进/后退按钮(图H)

- 如图H所示,通过扣下和松开扳机开关(1)来打开和关闭电钻。越是用力扣动扳机,电钻转动的速度就越快。
- 前进/后退按钮(2)决定了工具的转动方向,同时也具有锁定按钮的作用。
- 如需选择向前转动,松开扳机开关并按下位于工具右侧的向

前/向后控制按钮。

- 如需选择向后转动,按下位于工具左侧的向前/向后控制按钮。
- 控制按钮的中心位置会将工具锁定在关闭位置。在改变控制按钮的位置时,要确保松开扳机。

调整扭矩控制(图I)

该工具装有扭矩调整套圈(3),能选择操作模式,为拧紧螺丝设定扭矩。体积较大的螺丝和硬质工件材料所需的扭矩要大于小螺丝和软质工件材料所需的扭矩。

- 如需在木材、金属和塑料上钻孔,请将套圈(3)设定到钻孔位置。
- 如需在轻质砖石结构上钻孔,请将套圈(3)设定到锤钻位置。
- 如需拧螺丝,请将套圈设定到理想的位置。如果您不清楚如何设定才算恰当,请按以下操作:
 - 将套圈设定到最低扭矩。
 - 拧紧第一个螺丝。
 - 如果离合器在达到预期效果之前就松脱,就提高套圈设定并继续拧紧螺丝。
 - 不断重复这一操作,直到您达到正确设定位置。
 - 将该设定用在剩余螺丝上。

双档开关(图J)

您电钻所具有的双档特色功能让您能够切换齿轮,实现更多用途。

- 如需选择低速高扭矩的设定(位置1),请关闭工具并使其停止运行。将齿轮切换按钮(4)朝离开夹头的方向推出。
- 如需选择高速低扭矩的设定(位置2),请关闭工具并使其停止运行。将齿轮切换按钮朝返回夹头的方向推出。

注意:请勿在工具运转时更换齿轮。如果您更换齿轮遇到困难,请确保双档齿轮按钮或是被完全向前推出,或是被完全向后推回。

拧紧螺丝

- 如需拧紧紧固件,应向左推动向前/后按钮。
- 如需松开紧固件,请进行逆向操作(向右推动按钮)。

注意:如果要从前向转动切换到向后转动,或反向操作,请务必先松开扳机开关。

钻孔

- 仅使用锋利的钻头。
- 请根据“安全说明”中的指示,对工件进行适当的支持和固定。
- 请根据“安全说明”中的指示,使用适当和要求的的安全设备。
- 请根据“安全说明”中的指示,请固定并维持作业区域。
- 低速转动电钻,使用较小的压力,直到孔洞能够足以容纳钻头,不会让钻头滑出为止。
- 沿着与钻头成直线的方向施加压力。施加足够的压力,保持钻头向内钻孔,同时也不能让电机失速或钻头偏转。
- 双手牢牢握住电钻,一手握住手柄,另一只手握住电池周围的底部,或辅助手柄(如提供)。
- 如果电钻失速,请勿反复启动扳机开关,试图启动工具。这样可能会导致电钻损坏。**
- 减轻压力并缓慢钻穿孔的最后部分,尽量减少钻孔突破时的停滞。
- 在将钻头拔出钻孔的过程中,请保持电机处于运转状态。这有

助于减少阻塞。

- ◆ 确保开关能够开启和关闭电钻。

在木材中钻孔

可以通过用于金属的螺旋钻头或扁钻在木材上钻孔。这些钻头应足够锋利，而且应在钻孔过程中不断拔出钻头，以清除通道中的碎屑。

在金属上钻孔

在金属上钻孔时，请使用切割润滑油。铸铁和黄铜例外，应在干燥情况下钻孔。效果最好的切割润滑油是硫化切割润滑油。

LED 作业灯(图H)

当扣动扳机开关(1)，开启电钻时，整合在工具上的LED作业灯(7)将自动亮起，为作业区域照明。

注意：作业灯是用于照亮眼前的作业表面，不可将其用作手电筒。

解决故障

问题	可能的原因	可能的解决方案
工件无法启动。	电池包未安装妥当。 电池包未充电。	检查电池包的安装情况。 检查电池包的充电要求。
在插入电池后，工具立即启动。	开关被留在“开启”位置。	必须将开关移到“关闭”位置，以防在安装电池包后，工具立即启动。
电池包无法充电。	电池包未被插入充电器。 充电器未接通电源。 周围室温过高或过低。	将电池包插入充电器，直到LED灯亮起。将充电器插入能正常工作的插座。将充电器和电池包移动到周围室温高于45°C或低于+40.5°C的环境中。
工具突然关闭。	电池包达到其最大热极限。 电量耗尽。(为最大限度地延长电池包的寿命，它被设计会在电量耗尽时自动关闭)。	让电池包冷却。 放入充电器并进行充电。

维护

您的STANLEY FATMAX 工具设计精良，可以长期使用，仅需极少维护。若要持续令人满意的工作效果，则需对工具进行适当的保养和定期清洁。

除定期清洁外，您的充电器无需任何维护。

警告！在对工具进行任何维护前，请先拆卸其中的电池。先拔出充电器，然后再进行清洁。

- ◆ 使用软刷或干布定期清洁工具和充电器内的通风槽。
- ◆ 定期使用湿布清洁电机外壳。请勿使用任何研磨性或溶剂型清洁剂。
- ◆ 定期打开卡盘并轻拍，清除内部灰尘。

保护环境



分类回收。带有此符号标记的产品与电池不得与普通家庭垃圾一起处理。

产品和电池包含可恢复或回收的材料，从而降低对原材料的需求。请根据当地规定回收电气产品和电池。更多信息，请访问www.2helpU.com。

技术参数

		SBD710
电压	V _{DC}	18V (20V MAX)
空载转速	Min ⁻¹	0-600 / 0-1900
最大扭矩	Nm	60
夹头容量	mm	1.5-13
最大钻孔容量		
钢材/木材结构	mm	13/30
重量	kg	1.2 (不包括电池)

充电器		SC125	SC200	SC400 SC401	SC120
输入电压	V _{AC}	220-240	220-240	220-240	220-240
输出电压	V _{DC}	18V (20V MAX)	18V (20V MAX)	18V (20V MAX)	18V (20V MAX)
电流	A	1.25	2	4	1.25

电池		SB201	SB202	SB204	SB206
电压	V _{DC}	18V (20V MAX)	18V (20V MAX)	18V (20V MAX)	18V (20V MAX)
容量	Ah	1.5	2.0	4.0	6.0
类型		Li-Ion	Li-Ion	Li-Ion	Li-Ion

服务信息

STANLEY FATMAX提供覆盖范围广泛的公司隶属和授权服务地点。所有STANLEY FATMAX 服务中心都具有训练有素的人员，为客户提供高效和可靠的电动工具服务。有关授权服务中心的详情，或若您需要技术建议、维修或原厂替换部件，请联系最靠近您的STANLEY FATMAX 地点或访问www.stanleytools.com。

制造商：史丹利五金工具(上海)有限公司

制造商地址：中国(上海)自由贸易试验区美盛路263号

产地：江苏 苏州

扫码关注官方微信号
获取更多资讯及服务



設計用途

您的STANLEY FATMAX SBD710無刷電鑽起子機被設計用於擰緊螺絲以及在木材、金屬和塑膠上鑽孔。該工具適用於專業用戶，同時也適合私人、非專業用戶使用。

安全說明

電動工具一般安全警告



警告! 閱讀隨該電動工具提供的所有安全警告、說明、圖解和規定。如不遵守以下任何警告和說明，可能會導致觸電、火災和/或嚴重傷害。

保存所有警告和說明書以備今後查閱。

以下所有警告中列出的“電動工具”指的是電驅動(有線)電動工具或電池驅動(無線)電動工具。

1. 工作場地安全

- 請保持工作場地清潔明亮。混亂或黑暗的場地會引發事故。
- 請勿在易爆環境，如有易燃液體、氣體或粉塵的環境中操作電動工具。電動工具產生的火花可能會引燃粉塵或煙霧。
- 請等待兒童和旁觀者離開之後才操縱電動工具。分心會導致你疏於控制。

2. 電氣安全

- 電動工具插頭必須與插座相符。切勿以任何方式改裝插頭。需接地的電動工具不能使用任何配接器插頭。使用未經改裝的插頭與相符的插座可降低觸電風險。
- 避免人體接觸接地表面，如管道、散熱片、爐灶和冰箱。若你的身體接地，會增加觸電的風險。
- 不得將電動工具暴露在雨中或潮濕環境中。水進入電動工具會增加觸電風險。
- 切勿濫用電線。請勿使用電線來搬運、拉動電動工具或拔出插頭。讓電線遠離熱、油、銳邊和活動部件。受損或纏繞的電線會增加觸電風險。
- 若要在戶外使用電動工具，請使用適合戶外使用的延長電線。採用適合室外使用的電線可降低觸電風險。
- 若必須在潮濕環境中操作電動工具，請使用受漏電保護器(RCD)保護的電源供應器。使用RCD可降低觸電風險。

3. 人身安全

- 保持警覺；在操作電動工具時，請留意所執行的操作並按照一般的程式執行。請勿在疲倦或在受到毒品、酒精或藥品的影響時使用電動工具。操作電動工具時，一時的注意力分散可能會導致嚴重人身傷害。
- 使用個人防護裝置。始終佩戴護目裝置。防護設備(例如在適當條件下使用的防塵面具、防滑安全鞋、安全帽或聽力保護裝置)可減少人身傷害。
- 避免意外啟動。連接電源及/或電池組、舉抬或搬運電動工具之前，請確定開關處於關閉位置。若搬運電動工具時將手指放在開關上，或者在電動工具開關開啟時將插頭插入電源插座，這兩種行為都會引發事故。
- 啟動電動工具之前，請卸下同所有的調整鑰匙或扳手。遺留在電動工具旋轉部件上的扳手或鑰匙會導致人身傷害。

- 不要過度伸張雙手。時刻注意腳下與身體的平衡。如此可在意外情況下更好地控制電動工具。
- 適當穿著。請勿穿寬鬆衣服或佩戴飾品。讓你的頭髮、衣服和手套遠離活動部件。寬鬆衣服、佩飾或長髮可能會捲入活動部件中。
- 若配備用於連接排屑裝置、集塵設備的裝置，請確定正確連接和使用這些裝置。使用集塵設備可減少與粉塵有關的危險。
- 請勿因頻繁使用而對工具特別熟悉，讓你變得自滿而忽略工具的安全原則。粗心操作可以在片刻間造成嚴重傷害。

4. 電動工具的使用與注意事項

- 請勿超負荷使用電動工具。請根據你的應用使用正確的電動工具。若使用的電動工具正確無誤，該工具能以設計額定值更有效、更安全地執行工作。
- 若開關不能開啟或關閉電源，切勿使用該電動工具。若開關無法控制電動工具，則電動工具存在危險，必須予以維修。
- 在執行任何調整、更換配件或儲存工具之前，必須從電源上拔掉插頭及/或卸下電池組。此類防護性安全措施可降低電動工具意外啟動的風險。
- 將閒置的電動工具儲存在兒童無法接觸的地方，並且不要讓不熟悉電動工具或對這些使用指示不瞭解的人員操作電動工具。未經訓練的使用者操作電動工具會發生危險。
- 維護電動工具。檢查活動部件是否對準或卡住、是否存在任何破損情況，或任何可能影響電動工具運行的其他情況。若有損壞，必須在使用之前修理電動工具。許多事故都是由於電動工具欠缺維護所導致。
- 保持切削工具鋒利和清潔。妥善維護、刀刀鋒利的刀具卡住的可能性更低，更易於控制。
- 使用電動工具、配件和工具刀頭時，請遵循這些指示使用，且指示須包含工作環境和所要執行工作的注意事項。若使用電動工具執行與設計用途不相符的操作，會導致危險。
- 手柄和抓握表面都應保持乾燥、清潔及遠離油脂。光滑手柄和抓握表面不便在意外情況下對工具進行安全處理與控制。

5. 電池工具的使用與注意事項

- 只能使用製造廠商指定的充電器為電池充電。使用僅適合一種電池組的充電器為其他類型的電池組充電會導致火災危險。
- 請使用原廠的電動工具電池組。使用其他非原廠的電池組會導致人身傷害和火災危險。
- 不使用電池組時，請將其遠離迴紋針、硬幣、鑰匙、釘子、螺絲以及其他可連通電池兩極的金屬物品。將電池兩極短路會導致灼傷或火災。
- 濫用電池的情況下，液體會從電池中噴出；避免與液體接觸。若不小心接觸液體，請用清水沖洗。若液體噴濺到眼睛上，沖洗之後還應進行治療。從電池噴出的液體會刺激皮膚或造成灼傷。
- 請勿使用已經損壞或改動的電池組或工具。損壞或改動的電池可能表現出不可預計的行為，導致火災、爆炸或傷害風險。
- 請勿讓電池組或工具暴露於火中或過高溫度的環境中。暴露於火中或溫度超過130°C的環境中可能導致爆炸。

- g. 請遵循所有充電說明，請勿在說明中規定的溫度範圍以外的環境對電池組或工具充電。不當或在指定範圍以外的溫度下充電，可能導致電池損壞並增加火災風險。

6. 檢修

- a. 電動工具之修理，僅可由認證的技術人員執行。請勿交由非STANLEY認證服務中心的技術人員進行修理、維護、調整。若產品經由非STANLEY認證的維修中心拆解、組裝、調整，恕無法適用STANLEY保修條款。為充分發揮其功能，修理、維護、調整請務必使用原廠零件。STANLEY認證服務中心擁有保修條款解釋權。
- b. 切勿維修損毀的電池組。電池組的維修應僅由製造商或授權服務提供商執行。

附加安全警告

- 使用夾具或其他實用的方法，將工件固定、支撐到穩定的平臺上。手持或用身體頂住工件都是不穩定的，會導致操作失控。
- 在牆面、地板或天花板上安裝緊固件之前，請先檢查電線和管道位置。
- 本說明手冊介紹了目的用途。
- 使用任何非本說明手冊中建議的附件或配件，或將其與本工具搭配進行任何操作，可能存在導致人身傷和/或財產損壞的風險。

1) 所有操作的使用說明

- a. 使用工具前請為其提供適當的支撐。該工具能產生高輸出力矩。如果在操作中沒有為工具提供適當支撐，就會導致失控，造成人員受傷。
- b. 當在鑽削附件可能觸及暗線或其自身導線的場合進行操作時，要通過絕緣握持面握持工具。緊固件碰到帶電導線會使工具外露的金屬零件帶電而使操作者受到電擊。

2) 使用長鑽頭時的安全說明

- a. 操作時，請勿讓運行速度超過鑽頭最大的額定速度。在超速的情況下，如果鑽頭自由轉動而不接觸工件，那麼鑽頭可能會彎折，從而導致人員受傷。
- b. 鑽孔時，務必先從低速開始，讓鑽頭先接觸工件。在超速的情況下，如果鑽頭自由轉動而不接觸工件，那麼鑽頭可能會彎折，從而導致人員受傷。
- c. 僅沿著與鑽頭成直線的方向施加壓力，而且壓力不能過大。鑽頭可能會彎折，造成損壞或失控，導致人員受傷。

他人安全

- 生理、感覺或心理機能不健全的人員（包括兒童）或缺乏經驗及知識的人員，除非由負責其安全的人員提供有關使用此器具的監督或指示，否則不得使用本工具。
- 必須對兒童進行監督，以確保其不會玩耍本工具。

剩餘風險

使用本工具時，可能會出現隨附安全警告中所不包括的其他剩餘風險。誤用、長時間使用工具等因素會導致這些風險。即使遵循相關安全規定並採用安全裝置，仍然無法避免某些剩餘風險。此類風險包括：

- 接觸旋轉/活動部件引起的傷害。
- 變更任何零件、刀片或配件時引起的傷害。
- 長時間使用工具引起的傷害。若長時間使用工具，請確定休息時間。
- 聽力受損。
- 吸入使用工具時產生的粉塵引起的健康危害（譬如：在木材上使用時，尤其是櫟木、山毛櫸和中密度纖維板（MDF））。

工具上的標籤

本工具上具有以下圖示與日期代碼：

	警告！請勿直視工作燈。		
	警告！為降低傷害風險，請用戶在使用前閱讀使用手冊。		
	佩戴安全眼鏡或護目鏡。		
	請佩戴聽力保護器。		
	佩戴防塵口罩。		
V	伏特		直流電
A	安培	n_0	空載轉速
Hz	赫茲		II級構造
W	瓦特		接地端子
min	分鐘		安全警告符號
	交流電	/min.	每分鐘轉速

日期碼的位置

包含製造年份的日期，打印在工具外殼上。

示例：

2023 XX JN

製造年份 週數 號碼

針對電池和充電器的額外安全說明

電池

- 不得以任何理由嘗試拆開電池組。
- 請勿讓電池暴露在水中。
- 請勿存放在溫度超過40°C的環境中。
- 僅在溫度10°C到40°C之間的環境中充電。
- 僅用隨工具一同提供的充電器充電。
- 在處理電池時，請遵循“保護環境”部分的說明進行操作。

充電器

- 僅用您的STANLEY FATMAX充電器為隨工具一同提供的電池充電。其它電池可能會引起爆裂，並導致人身傷害和損害。

- 不得試圖為不可充電的電池充電。
- 應立即更換有缺陷的電線。
- 請勿讓充電器接觸到水。
- 請勿拆開充電器。



本工具僅供室內使用。



請在使用前請閱讀使用手冊。



請勿試圖對損壞的電池充電。

電氣安全



您的充電器是雙層絕緣；因此無需接電線。請務必檢查電源電壓是否和銘牌上的電壓一致。不得試圖用常規電源插座替換充電器。

- 如果電線損壞，必須由產商或授權STANLEY FATMAX服務中心負責更換，避免出現危險。

警告！不得試圖用常規電源插座替換充電器。

功能部件

本工具包括以下部分或全部功能部件。

1. 扳機開關
2. 前進/後退按鈕
3. 力矩調整套筒
4. 雙檔換檔杆
5. 自鎖夾頭
6. 電池
7. LED作業燈

使用

警告！讓工具按照自己的節奏運行。請勿超載。

為電池充電(圖A)

在首次使用前，以及在電池不能提供順利完成工作所需的電力時，需要為電池充電。電池在充電時可能會發熱；這是正常現象，並非出現問題。

警告！請勿在溫度低於10°C或高於40°C的環境中為電池充電。建議充電溫度為：約24°C。

注意：如果電池溫度低於10°C或高於40°C，則充電器不會為電池充電。

應將電池留在充電器中，當電池溫度回升或冷卻後，充電器將自動為電池充電。

注意：為確保實現最高性能，最大限度地延長鋰離子電池的使用壽命，請在初次使用前，先為電池組充滿電量。

- 將充電器(8)插入適當的插座中，然後再插入電池組(6)。
- 綠色充電指示燈(8a)會持續閃爍，表示充電已經開始。
- 綠色充電指示燈(8a)持續常亮，表示充電完成。電池組(6)電量已充滿，可以取出使用，也可以將其留在充電器內(8)。
- 在電池用完電量後，建議馬上充電，鋰電池請勿過度放電，電力過度耗竭會導致鋰電池損壞。如果將電量耗盡的電池存放起來，將會極大縮短電池的壽命。
- 請將電池從機身卸下分開存放，若長時間未使用電池(1年以上)，請每6個月為電池充電一次，以確保電池壽命。

- 當主機突然停止動作，或無法輕鬆完成以往的作業量時，請馬上充電。

充電器的LED模式

充電器燈號指示(不包含SC120)

	充電中	--- ---	
	電力全滿	————	
	電池組熱/冷延遲	--- ---	

SC120充電器燈號指示

	充電中	--- ---	
	電力全滿	————	
	電池組熱/冷延遲	--- ---	

注意：此兼容充電器不能為故障的電池組充電。充電器指示燈不亮時表示電池組有故障。

注意：這也可能意味著充電器有故障。如果充電器提示存在故障，請將充電器和電池組送到授權的服務中心進行測試。

將電池留在充電器中。

可以讓充電器和電池組始終保持聯通，同時LED會常亮。充電器將讓電池組維持電量剛被充滿的狀態。

熱/冷電池組延遲

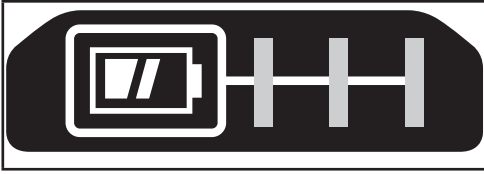
當充電器檢測到電池過熱或過冷，它就會自動開啟熱/冷電池組延遲，綠色LED(8a)將會閃爍，同時紅色LED(8b)將常亮，充電將會暫停，直到電池恢復到適當溫度為止。然後，充電器將自動切換到電池組充電模式。該特色功能可以最大程度地延長電池組的使用壽命。

電池電量狀態指示燈(圖B)

電池組含一個電量狀態指示燈，能夠快速確定電池壽命的情况，如圖B所示。按下電量狀態按鈕(6a)，您就能輕鬆看到剩餘電量，如圖B所示。

牆面安裝

部分 STANLEY FATMAX 充電器設計為可安裝在牆上或直立放置在桌子或工作檯面上。如果採用壁掛式安裝，請將充電器放在電源插座可觸及的範圍內，並遠離角落或其他可能阻礙空氣流動的障礙物。將充電器的背面用作在牆面上確定安裝螺絲位置的型板。使用至少 1 英寸(25.4 毫米)的牆用螺釘(單獨購買)牢固地安裝充電器，螺釘頭直徑為 0.28-0.35 英寸(7-9 毫米)，擰入木頭至最佳深度，留出大約 7/32" (5.5 毫米)的螺絲暴露。將充電器背面的插槽與外露的螺絲對齊，並將它們完全插入插槽中。注意：請勿嘗試將 SC120 充電器安裝在長凳或桌子下。注意：安裝 SC120 充電器時，充電燈只能向上指向天花板。



插入或取出工具上的電池組

警告! 先確保已按下鎖止按鈕，防止開關啟動，然後再拆除或安裝電池。

如需安裝電池組 (圖C)

- 將電池組插入工具，直至聽見嗶嗶聲為止，如圖C所示。確保電池組已被牢固安裝並鎖定到位。

如需拆除電池組 (圖D)

- 按下電池釋放按鈕 (6b)，如圖D所示，並將電池組從工具中拉出。

皮帶鉤 (額外可選物件) (圖E, F)

警告! 為降低造成嚴重人身傷害的風險，在進行任何調整或拆卸/安裝附件或配件前，請關閉工具並拆除電池組。意外啟動可能會導致人身傷害。

警告! 為降低造成嚴重人身傷害的風險，僅使用工具上的皮帶鉤 (9) 通過作業皮帶來吊掛工具。在使用工具時，請勿用皮帶鉤 (9) 將工具系在或固定在人員身上。請勿將工具懸吊在頭上或用皮帶鉤懸吊物體。

警告! 為降低造成嚴重人身傷害的風險，請確保固定皮帶鉤的螺絲 (10) 足夠牢固。

注意: 在安裝或更換皮帶鉤 (9) 時，僅使用產品提供的螺絲 (10)。確保擰緊螺絲。

可將皮帶鉤 (9) 滑入工具任何一側的插槽 (11)。

僅使用產品提供的螺絲 (10)，以適應慣用左手或右手的用戶。如果無需皮帶鉤，可以將其從工具上拆除。

如需拆除皮帶鉤，請卸下固定皮帶鉤 (10) 的螺絲 (9)，然後在另一側重新安裝。確保擰緊螺絲 (10)。

注意: 提供多種不同的軌牆掛鉤和存放設置。

請訪問我們的網站 www.stanley.eu/3，瞭解更多信息。

自鎖夾頭 (圖G)

警告! 確保已將電池組拆除，防止在安裝或拆除附件前啟動工具。如需插入鑽頭或其他附件：

- 抓住夾頭 (5) 並逆時針轉動 (從夾頭端看)。
- 將鑽頭或其他附件 (12) 完全插入夾頭中，並順時針擰緊 (從夾頭端看)。

警告! 不得試圖握住夾頭前部來擰緊或鬆開鑽頭 (或任何其他附件) 並啟動工具。

在更換附件時，可能會損壞夾頭，造成人員受傷。

扳機開關和前進/後退按鈕 (圖H)

- 如圖H所示，通過扣下和鬆開扳機開關來打開和關閉電鑽。越是用力扣動扳機，電鑽轉動的速度就越快。
- 前進/後退按鈕 (2) 決定了工具的轉動方向，同時也具有鎖定按鈕的作用。
- 如需選擇向前轉動，鬆開扳機開關並按下位於工具右側的向前/向後控制按鈕。
- 如需選擇向後轉動，按下位於工具左側的向前/向後控制按鈕。

- 控制按鈕的中心位置會將工具鎖定在關閉位置。在改變控制按鈕的位置時，要確保鬆開扳機。

調整力矩控制 (圖I)

該工具裝有力矩調整套筒 (3)，能選擇操作模式，為擰緊螺絲設定力矩。體積較大的螺絲和硬質工件材料所需的力矩應該大於小螺絲和軟質工件材料所需的力矩。

- 如需在木材、金屬和塑膠上鑽孔，請將套筒 (3) 設定到鑽孔位置。
- 如需擰螺絲，請將套筒設定到理想的位置。如果您不清楚如何設定才算恰當，請按以下操作：
 - 將套筒設定到最低力矩。
 - 擰緊第一個螺絲。
 - 如果離合器在達到預期效果之前就鬆脫，就提高套筒設定並繼續擰緊螺絲。
 - 不斷重複這一操作，直到您達到正確設定位置。
 - 將該設定用在剩餘螺絲上。

雙檔開關 (圖J)

該電鑽所具有的雙檔特色功能讓您能夠切換齒輪，實現更多用途。

- 如需選擇低速高力矩的設定 (位置1)，請關閉工具並使其停止運行。將齒輪切換按鈕 (4) 朝離開夾頭的方向推出。
- 如需選擇高速低力矩的設定 (位置2)，請關閉工具並使其停止運行。將齒輪切換按鈕 (4) 朝返回夾頭的方向推出。

注意: 請勿在工具運轉時更換齒輪。如果您更換齒輪遇到困難，請確保雙檔齒輪按鈕或是被完全向前推出，或是被完全向後推回。

擰緊螺絲

- 如需擰緊緊固件，應向左推動向前/後按鈕。
- 如需鬆開緊固件，請進行逆向操作 (向右推動按鈕)。

注意: 如需從向前轉動切換到向後轉動，或反向操作，務必要先鬆開扳機開關。

鑽孔

- 僅使用鋒利的鑽頭。
- 請根據“安全說明”中的指示，對工件進行適當的支持和固定。
- 請根據“安全說明”中的指示，使用適當和要求的的安全設備。
- 請根據“安全說明”中的指示，請固定並維持作業區域。
- 低速轉動電鑽，使用較小的壓力，直到孔洞能夠足以容納鑽頭，不會讓鑽頭滑出為止。
- 沿著與鑽頭成直線的方向施加壓力。施加足夠的壓力，保持鑽頭向內鑽孔，同時也不能讓電機失速或鑽頭偏轉。
- 雙手牢牢握住電鑽，一手握住手柄，另一只手握住電池周圍的底部，或輔助手柄 (如提供)。
- 如果電鑽失速，請勿反復扣動扳機開關，試圖啟動工具。這樣可能會導致電鑽損壞。**
- 減輕壓力並緩慢鑽穿孔的最後一部分，儘量減少鑽孔突破時的停滯。
- 在將鑽頭拔出鑽孔的過程中，請保持電機處於運轉狀態。這有助於減少阻塞。
- 確保開關能夠開啟和關閉電鑽。

在木材中鑽孔

可以通過用於金屬的螺旋鑽頭鑽或扁鑽在木材上鑽孔。這些鑽頭應足夠鋒利，而且應在鑽孔過程中不斷拔出鑽頭，以清除通道中的碎屑。

在金屬上鑽孔

在金屬上鑽孔時，請使用切割潤滑油。鑄鐵和黃銅是例外情況。應在乾燥情況下鑽孔。效果最好的切割潤滑油是硫化切割潤滑油。

LED作業燈(圖H)

當扣動扳機開關(1)，開啟電鑽時，整合在工具上的LED作業燈(7)將自動亮起，為作業區域照明。

注意：作業燈是用於照亮眼前的作業表面，不可將其用作手電筒。

解決故障

問題	可能的原因	可能的解決方案
工件無法啟動。	電池組未安裝妥當。 電池組未充電。	檢查電池組的安裝情況。 檢查電池組的充電要求。
在插入電池後，工具立即啟動。	開關被留在“開啟”位置。	必須將開關移到“關閉”位置，以防在安裝電池組後，工具立即啟動。
電池組無法充電。	電池組未插入充電器。 充電器未接通電源。 周圍室溫過高或過低。	將電池組插入充電器，直到LED燈亮起。 將充電器插入能正常工作的插座。 將充電器和電池組移動到周圍室溫高於45 °C或低於+40.5 °C的環境中。
工具突然關閉。	電池組達到其最大熱極限。 電量耗盡。(為最大限度地延長電池組的壽命，它被設計會在電量耗盡時自動關閉)。	讓電池組冷卻。 放入充電器並進行充電。

維護

您的STANLEY FATMAX工具設計精良，可以長期使用，僅需極少維護。要持續獲得令人滿意的工作效果，需要進行合適的工具維護和定期清潔。

除了定期清潔，您的充電器無需任何維護。

警告！在對工具進行任何維護前，請從工具上拆除電池。先切斷充電器的電源，然後再進行清潔。

- 用軟刷或幹布定期清潔您工具和充電器的通風槽。
- 定期使用濕布清潔電機外殼。
- 請勿使用任何研磨性或溶劑型清潔劑。

保護環境



分類回收由此符號標記的產品和電池不得與普通家庭垃圾一起處理。

產品和電池組含可恢復或回收的材料，從而降低對原材料的需求。

請根據當地規定回收電子產品和電池。更多信息，請訪問

www.2helpU.com。

技術參數

		SBD710
電壓	V _{DC}	18V (20V MAX)
空載轉速	Min ⁻¹	0-600 / 0-1900
最大力矩	Nm	60
夾頭尺寸	mm	1.5-13
最大鑽孔容量		
鋼材/木材	mm	13/30
重量	kg	1.2 (不含電池)

		SC200	SC120
輸入電壓	V _{AC}	110	110
輸出電壓	V _{DC}	18V (20V MAX)	18V (20V MAX)
電流	A	2	1.25

		SB202
電壓	V _{DC}	18V (20V MAX)
容量	Ah	2.0
類型		Li-Ion

維修信息

STANLEY FATMAX提供完整的公司隸屬和授權的維修點網絡。所有STANLEY FATMAX服務中心均擁有經過訓練的人員，為您提供高效可靠的電動工具服務。如需瞭解有關我們授權維修中心的更多信息，而且如需要獲得技術建議、維修或原廠更換部件，請聯繫距離您最近的STANLEY FATMAX，或訪問我們的網站

www.stanleytools.com。

總經銷商：永安實業股份有限公司

地址：新北市三重區新北大道二段137號

電話：02-2999-4633

進口/委製廠商：新加坡商百得電動工具(股)公司台灣分公司

地址：台北市士林區德行西路33號2樓

電話：02-2834-1741

용도

STANLEY FATMAX SBD710 브러시리스 드릴 드라이버는 스크류 드라이빙 및 목재, 금속 및 플라스틱 드릴링 용으로 설계되었습니다. 이 공구는 전문가 및 개인, 비전문 사용자를 위한 것입니다.

안전 지침

일반 안전 경고



경고: 이 전동 공구와 함께 제공되는 모든 안전 경고와 지시사항, 설명 및 사양을 읽으십시오.
아래 설명한 모든 지시 사항을 따르지 않으면 감전, 화재 및/또는 심각한 부상을 초래할 수 있습니다.

항후 참고할 수 있도록 모든 경고 및 지시 사항을 보관해두십시오. 경고에서 사용된 "전동 공구"라는 용어는 주 공급 전원에 의해 전기가 공급되는(유선) 전동 공구 또는 충전식(무선) 전동 공구를 의미합니다.

1. 작업장 안전

- 작업장을 항상 청결하고 밝게 유지하십시오. 혼잡하거나 어두운 작업장에서는 사고가 발생하기 쉽습니다.
- 가연성 액체, 가스 또는 먼지 등이 있는 폭발성 대기에서 전동 공구를 사용하지 마십시오. 전동 공구에서 먼지나 가스를 발하시킬 수 있는 불꽃이 될 수 있습니다.
- 전동 공구로 작업하는 동안에는 어린이와 주변 사람들이 작업 영역에 가까이 들어오지 못하도록 하십시오. 주변이 산만해져 통제력을 잃을 수 있습니다.

2. 전기 안전

- 동공구의 플러그는 콘센트와 형식이 일치해야 하며, 플러그를 어떤 형태로든 개조하지 마십시오. 또한 접지된 전동공구에 다른 어댑터 플러그를 사용하지 마십시오. 개조되지 않은 플러그 및 형식이 일치하는 콘센트를 사용하면 감전 위험이 줄어듭니다.
- 파이프 관, 라디에이터, 렌즈, 냉장고 등의 접지 표면에 물이 닿지 않도록 하십시오. 몸에 닿을 경우 감전이 될 위험이 높아집니다.
- 전동 공구를 비 또는 습한 환경에 노출하지 않도록 주의하십시오. 전동 공구에 물이 들어가면 감전 위험이 높아집니다.
- 코드를 함부로 다루지 마십시오. 코드를 사용하여 전동공구를 운반하거나, 코드를 과도하게 잡아당겨서 플러그를 뽑지 않도록 주의하십시오. 전열코드가 열기 또는 오일과 접촉되는 것을 피하고, 날카로운 모서리 또는 기기의 기동 부위에 닿지 않도록 주의 하십시오. 코드가 손상되거나 얽혀 있으면 감전 위험이 높아집니다.
- 전동 공구를 실외에서 사용할 때는 실외 사용에 적합한 연장 코드를 사용하십시오. 실외 사용에 적합한 코드를 사용하면 감전 위험이 줄어듭니다.
- 전동공구를 습한 공간에서 사용할 경우, 반드시 누전 차단기를 사용하십시오. 누전 차단기 (RCD) 를 사용하면 감전의 위험이 줄어듭니다. RCD 를 사용하면 감전 위험이 줄어듭니다.

3. 신체 안전 사항

- 전동 공구로 작업할 때는 방심하지 말고 작업에 주의하면서 상식에 따르십시오. 피곤한 상태이거나 약물, 술, 치료제를 복용한 상태에서는 전동 공구를 사용하지 마십시오. 전동 공구를 사용하다 잠깐만 한 눈을 팔아도 심각한 부상을 당할 수 있습니다.
- 신체 보호 장비를 착용하십시오. 항상 보안경을 착용하십시오. 적합한 상황에서 방진 마스크, 미끄럼 방지 안전화, 안전모 또는 청력 보호 기구 등의 보호 장비를 사용하면 신체 부상 위험이 줄어듭니다.
- 의도하지 않은 장비 가동 방지. 전원 및/또는 배터리 팩에 연결한 상태로 공구를 선택 또는 운반할 때는 사전에 스위치가 꺼짐 위치에 있는지 반드시 확인하십시오. 스위치가 꺼짐 위치에 있는 상태에서 스위치가 손가락이 닿을 상태로 전동 공구를 운반하거나 전동 공구에 전원을 공급하면 사고가 발생합니다.
- 전동 공구를 켜기 전에 모든 조정 키 또는 렌치를 제거하십시오. 전동 공구의 회전 부품에 렌치나 키가 부착되어 있으면 부상을 당할 수 있습니다.
- 무리하게 팔을 뻗지 마십시오. 항상 올바른 자세로 서서 균형을 유지하십시오. 안정된 자세로 작업을 할 경우 전동 공구를 안전하게 사용할 수 있습니다.
- 절한 의복을 착용하십시오. 헐렁한 옷이나 장신구를 착용하지 마십시오. 머리카락과 옷이 움직이는 부품에 닿지 않도록 유의하십시오. 헐렁한 옷, 장신구 또는 긴 머리가 움직이는 부품에 걸 수 있습니다.
- 먼지 배출 및 집진 시설 연결을 위한 장치가 제공된 경우, 이를 장치가 연결되어 적절히 사용되고 있는지 반드시 확인하십시오. 집진 장치를 사용하면 먼지와 관련된 위험을 줄일 수 있습니다.
- 장치를 자주 사용함으로써 생긴 익숙함으로 인해 현실에 안주하거나 공구 안전 원칙을 무시하지 않도록 하십시오. 부주의한 작동은 순식간에 심각한 부상을 야기할 수 있습니다.

4. 전동 공구 사용 및 관리

- 전동 공구에 무리한 힘을 가하지 마십시오. 해당 용도에 맞는 올바른 전동 공구를 사용하십시오. 올바른 전동 공구를 사용해야 설계된 속도로 작업을 더욱 안전하고 정확하게 수행할 수 있습니다.
- 켜지지 않거나 꺼지지 않는 경우 전동 공구를 사용하지 마십시오. 스위치가 제어되지 않는 전동 공구는 위험하므로 수리해야 합니다.
- 전동 공구를 조정하거나 액세서리를 변경하거나 보관하기 전에 전동 공구에서 분리되는 경우 전원에서 플러그를 뽑거나 또는 배터리 팩을 분리하십시오. 이러한 예방적 안전 조치를 따라야 전동 공구가 갑자기 작동할 위험이 줄어듭니다.
- 사용하지 않는 전동 공구는 어린이의 손이 닿지 않는 곳에 보관하고, 전동 공구나 본 지시 사항에 익숙하지 않은 사람이 전동 공구를 절대 사용하지 못하게 하십시오. 전동 공구는 훈련을 받지 않은 사용자가 다루면 위험합니다.
- 전동 공구 및 액세서리 유지 보수. 움직이는 부품의 잘못된 정렬이나 바인딩, 부품 파손 및 기타 전동 공구의 작동에 영향을 미칠 수 있는 기타 모든 상태를 확인하십시오. 손상된

부분이 있는 경우 사용하기 전에 전동 공구를 수리하십시오. 많은 사고는 전동 공구를 제대로 유지 보수하지 않아 발생합니다.

- f. 공구를 깨끗한 상태로 유지하십시오. 절삭 가장자리를 예리하게 잘 유지하면 절삭기를 사용할 때 바이딩이 적고 다루기가 용이합니다.
- g. 작업 환경과 수행할 작업을 고려하여, 본 지시 사항에 따라 전동 공구, 액세서리 및 툴 비트 등을 사용하십시오. 본 사용 설명서의 내용과 다른 용도로 전동 공구를 사용하면 위험한 상황이 발생할 수 있습니다.
- h. 핸들과 잡는 표면은 건조하고 깨끗한 상태를 유지하고 오일/기름이 묻지 않도록 하십시오. 미끄러운 핸들과 잡는 면은 예기치 못한 상황에서 안전한 취급과 공구 관리를 보장하지 않습니다.

5. 배터리 공구 사용 및 주의 사항

- a. 다시 충전할 때는 제조업체에서 지정한 충전기만 사용하십시오. 하나의 배터리 팩 유형에 적합한 충전기를 다른 배터리 팩과 함께 사용할 경우 화재의 위험이 있습니다.
- b. 전동 공구를 사용할 때는 구체적으로 지정되어 있는 배터리 팩만 사용하십시오. 다른 배터리 팩을 사용하면 부상을 입거나 화재의 위험이 있습니다.
- c. 배터리 팩을 사용하지 않을 때에는 클립, 동전, 키, 못, 나사 등의 금속 물체나, 단자 간에 연결할 수 있는 작은 금속 물체가 닿지 않도록 멀리 두십시오. 배터리 단자가 단락되면 화상을 입거나 화재의 위험이 있습니다.
- d. 배터리를 과다 사용하면 액체가 배터리에서 흘러 나올 수 있으므로, 접촉을 피하십시오. 실수로 접촉한 경우에는 물로 씻으십시오. 액체가 눈에 들어간 경우 치료를 받으십시오. 배터리에서 나온 액체는 통증을 유발하거나 화상을 입힐 수 있습니다.
- e. 손상되거나 변경된 배터리 팩 또는 공구를 사용하지 마십시오. 손상되거나 개조된 배터리는 예측할 수 없는 작용을 보며, 화재, 폭발 또는 부상 위험을 야기할 수 있습니다.
- f. 배터리 팩 또는 공구를 불이나 과도한 온도에 노출하지 마십시오. 불 또는 130 °C 이상의 온도에 노출되면 폭발할 수 있습니다.
- g. 모든 충전 지침을 따르고 배터리 팩 또는 공구를 설명서에 지정된 범위 밖의 온도에서 충전하지 마십시오. 적절하지 않게 충전하거나 지정된 범위 밖의 온도에서 충전하면 배터리가 손상되어 화재 위험이 증가될 수 있습니다.
6. 정비
- a. 자격을 갖춘 기술자가 동일 교체 부품을 사용하여 정비 작업을 수행해야 합니다. 그래야 전동 공구의 안전이 보장됩니다.
- b. 손상된 배터리 팩을 정비하지 마십시오. 배터리 팩은 제조업체 또는 공인 서비스 공급업체를 통해서만 점검을 받아야 합니다.

추가 전동 공구 안전 경고

- ◆ 클램프 또는 바이스를 사용하여 공작물을 안정적인 플랫폼에 고정하고 지지하십시오. 공작물을 손으로 잡거나 몸에 대면 불안정하게 되어 제어력을 잃을 수 있습니다.

- ◆ 패스너를 벽, 바닥 또는 천장에 박기 전에 배선 및 파이프의 위치를 확인하십시오.
- ◆ 사용 목적은 이 사용 설명서에 설명되어 있습니다.
- ◆ 이 지침 설명서에서 권장하는 것 이외의 액세서리 나 부속물을 사용하거나 이 공구로 작업을 수행하면 부상 및 / 또는 재산 피해의 위험이 있습니다.

1) 모든 작업에 대한 안전 지침

- a) 사용하기 전에 공구를 적절하게 고정하십시오. 이 공구는 높은 출력 토크를 생성하며 작동중에 공구를 적절히 보강하지 않으면 제어력이 상실되어 부상을 입을 수 있습니다.
- b) 패스너가 숨겨진 배선과 접촉할 수 있는 작업을 수행할 때 절연 그림 표면에 전동 공구를 잡으십시오. "전기가 통하는" 전선과 접촉하는 패스너는 전동 공구의 노출 된 금속 부분을 "통전"시켜 작업자가 감전될 수 있습니다.

2) 긴 드릴 비트 사용시 안전 지침

- a) 드릴 비트의 최대 속도 등급보다 높은 속도로 작동하지 마십시오. 고속에서 공작물에 접촉하지 않고 자유롭게 회전하면 비트가 구부러져 부상을 입을 수 있습니다.
- b) 항상 저속으로 드릴링을 작동하고 비트 팁이 공작물에 닿은 상태에서 드릴링을 시작하십시오. 고속에서 공작물에 접촉하지 않고 자유롭게 회전하면 비트가 구부러져 부상을 입을 수 있습니다.
- c) 비트와 일직선으로 만 압력을 가하고 과도한 압력을 가하지 마십시오. 비트가 구부러져 파손되거나 제어력이 상실되어 부상을 입을 수 있습니다.

타인의 안전

- ◆ 이 기기는 안전을 책임지는 사람이 기기 사용에 대해 감독하거나 지시하지 않는 한 신체적, 감각적 또는 정신적 능력이 약하거나 경험과 지식이 부족한 사람(어린이 포함)이 사용하도록 설계되지 않았습니다.
- ◆ 어린이가 기기를 가지고 놀지 않도록 감독해야 합니다.

기타 발생 가능한 위험

기기를 사용할 때 동등한 안전 경고에 포함되어 있지 않은 기타 발생 가능한 위험들이 발생할 수 있습니다. 이러한 위험은 오용, 장시간 사용 등으로 인해 발생할 수 있습니다. 관련된 안전 규정을 준수하고 안전 장치를 사용한다고 해도 어떤 위험들은 피하지 못할 수도 있습니다. 이러한 위험으로는 다음과 같은 것들이 있습니다.

- ◆ 회전 부품이나 작동 부품을 만져 발생하는 부상.
- ◆ 부품, 톨날 또는 액세서리 변경으로 인한 부상.
- ◆ 장시간에 걸친 기기 사용으로 인한 부상. 어떤 기기이든 장시간에 걸쳐 사용할 때는 반드시 정기적인 휴식을 취하십시오.
- ◆ 청력 손상.
- ◆ 기기 사용 중에 발생하는 먼지를 호흡하여 유발되는 건강 위해성 (예: 목재, 특히 오크, 너도밤나무 및 MDF 가공 작업).

공구의 레이블

날짜 코드와 함께 다음 그림이 공구에 표시됩니다.

	경고! 작동 랩프를 응시하지 마십시오.		
	경고! 부상 위험을 줄이려면 사용자는 사용 전에 사용 설명서를 주의 깊게 읽어야 합니다.		
	항상 보호 안경 또는 고글을 착용하십시오.		
	귀 보호 장구를 착용하십시오.		
	방진 마스크를 착용하십시오.		
V	볼트		직류
A	암페어	n_0	평가 속도
Hz	헤르츠		클래스 II 건설 산업용
W	와트		접지 단자
min	분		안전 경고 기호
	교류 전류	/min.	분당 회전 또는 왕복 수

배터리 및 충전기에 대한 추가 안전 지침

배터리

- ◆ 어떤 이유로든 뜯지 마십시오.
- ◆ 배터리를 물에 노출시키지 마십시오.
- ◆ 온도가 40 °C를 초과할 수 있는 장소에 보관하지 마십시오.
- ◆ 주변 온도가 10 °C ~ 40 °C 인 경우에만 충전하십시오.
- ◆ 공구와 함께 제공된 충전기 만 사용하여 충전하십시오.
- ◆ 배터리를 폐기할 때는 "환경 보호"색선의 지침을 따르십시오.

충전기

- ◆ STANLEY FATMAX 충전기는 제공된 도구로 배터리를 충전하는 데만 사용하십시오. 다른 배터리는 파열되어 부상을 입거나 손상될 수 있습니다.
- ◆ 비 충전식 배터리를 충전하지 마십시오.
- ◆ 결함이 있는 코드는 즉시 교체하십시오.
- ◆ 충전기를 물에 노출시키지 마십시오.
- ◆ 충전기를 열지 마십시오.
- ◆ 충전기를 조사하지 마십시오.



충전기는 실내 전용입니다.



사용하기 전에 사용 설명서를 읽으십시오.



손상된 배터리를 충전하지 마십시오

전기 안전



충전기는 특정 전압에 맞게 설계되었습니다. 전원 전압이 명판의 전압과 일치하는지 항상 확인하십시오. 충전기를 일반 전원 플러그로 교체하지 마십시오.

- ◆ 전원 코드가 손상된 경우 위험을 피하기 위해 제조업체 또는 공인 된 STANLEY FATMAX 서비스 센터에서 교체해야 합니다.

경고! 충전기를 일반 전원 플러그로 교체하지 마십시오.

기능

이 공구에는 다음 기능 중 일부 또는 모두가 포함되어 있습니다.

1. 트리거 스위치
2. 정 회전 / 역 회전 버튼
3. 토크 조정 칼라
4. 1단 2단 기어변속 레버
5. 키리스 척
6. 배터리
7. LED 작업등

사용

경고! 공구가 자체 속도로 작동하도록하십시오. 과부하하지 마십시오.

배터리 충전 (그림 A)

배터리는 처음 사용하기 전과 이전에 쉽게 수행했던 작업에서 충분한 전력을 공급하지 못할 때마다 충전해야 합니다. 충전하는 동안 배터리가 따뜻해질 수 있습니다. 이것은 정상적인 현상이며 문제를 나타내는 것이 아닙니다.

경고! 주변 온도가 10 °C 이하 또는 40 °C 이상인 장소에서는 배터리를 충전하지 마십시오. 권장 충전 온도 : 약 24 °C.

참고: 배터리 온도가 약 10 °C 이하이거나 40 °C 이상이면 충전기가 배터리를 충전하지 않습니다.







배터리는 충전기에 그대로 두어야 하며 셀 온도가 예열되거나 냉각되면 충전기가 자동으로 충전되기 시작합니다.

참고: 리튬 이온 배터리 팩의 최대 성능과 수명을 보장하려면 처음 사용하기 전에 배터리 팩을 완전히 충전하십시오.







- ◆ 배터리 팩 (8) 을 삽입하기 전에 충전기 (6) 를 적절한 콘센트에 꽂으십시오.
- ◆ 녹색 충전 표시등 (8a) 이 계속 깜박이면 충전 프로세스가 시작되었음을 나타냅니다.
- ◆ 충전이 완료되면 녹색 충전 표시등 (8a) 이 계속 켜져 있습니다. 배터리 팩 (6) 은 완전히 충전되었으며 이때 분리하여 사용하거나 충전기 (8) 에 그대로 둘 수 있습니다.
- ◆ 방전 된 배터리는 1 주일 이내에 충전하십시오. 방전 된 상태로 보관하면 배터리 수명이 크게 줄어듭니다

충전기 LED 모드

SC120 을 제외한 모든 충전기의 표시

	충전중	--- ---	
	완전 충전됨	————	
	냉/온 팩 지연	--- ---	

SC120 충전기 표시만 해당

	충전중	--- ---	
	완전 충전됨	————	
	냉/온 팩 지연	--- ---	

참고: 호환되는 충전기는 결합이 있는 배터리 팩을 충전하지 않습니다. 충전기는 점등되 지 않음으로써 배터리 팩에 결합이 있음을 나타냅니다.

참고: 이것은 또한 충전기 문제를 의미할 수도 있습니다. 충전기에 문제가 있는 것으로 나타나면 충전기와 배터리 팩을 가지고 공인 서비스 센터에서 테스트를 받으십시오.

충전기에 배터리 보관

충전기와 배터리 팩은 LED 표시등이 점등된 상태로 연결되어 있을 수 있습니다. 충전기는 배터리 팩을 완전히 충전 된 상태로 유지합니다.

핫 / 콜드 팩 딜레이

충전기가 배터리가 너무 뜨겁거나 너무 차가움을 감지하면 자동으로 핫 / 콜드 팩 딜레이를 시작하고 녹색 LED (8a) 표시등이 간헐적으로 깜박이고 빨간색 LED (8b) 표시등이 계속 켜져 있습니다. 그러면 충전기가 자동으로 팩 충전 모드로 전환됩니다. 이 기능은 최대 배터리 수명을 보장합니다.

배터리 충전 상태 표시기 (그림 B)

배터리에는 그림 B와 같이 배터리 수명 범위를 빠르게 확인할 수 있는 충전 상태 표시기가 포함되어 있습니다. 충전 상태 버튼(6a)을 누르면 그림 B와 같이 배터리 잔량을 쉽게 확인할 수 있습니다.

벽 장착

일부 STANLEY FATMAX 충전기는 벽에 장착하거나 테이블이나 작업면에 똑바로 서도록 설계되었습니다.

벽에 장착된 경우 손이 닿는 곳에 충전기를 배치합니다. 전기 콘센트 및 공기 흐름을 방해할 수 있는 코너 또는 기타 장애물로부터 멀리 떨어져 있어야 합니다.

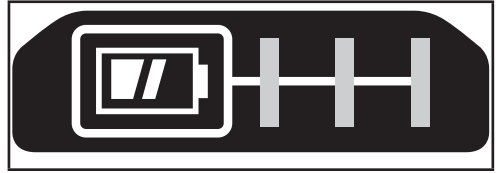
충전기 뒷면을 벽면 나사에 장착이 되기 위한 템플릿으로 사용합니다.

나사 머리 지름이 0.28~0.35”(7~9mm)이고 목재에 최적의 깊이로 나사를 조여 약 7/32”(5.5mm)의 나사를 노출시킨 상태에서 최소 1”(25.4mm) 길이의 벽 나사를 사용하여 충전기를 안전하게 장착합니다.

충전기 뒷면의 슬롯을 노출된 나사와 맞추고 슬롯에 완전히 끼웁니다.

참고: SC120 충전기를 벤치나 테이블 아래에 장착하지 마세요.

참고: 충전등이 위로 향하도록 SC120 충전기를 장착하십시오.



공구에서 배터리 팩 설치 및 제거

경고! 배터리를 제거하거나 설치하기 전에 스위치 작동을 방지하기 위해 잠금 해제 버튼이 잠겨 있는지 확인하십시오.

배터리 팩을 설치하려면 (그림 C)

- ◆ 그림 C와 같이 딸깍 소리가 날 때까지 배터리 팩을 공구에 단단히 삽입하십시오. 배터리 팩이 완전히 장착되고 제자리에 완전히 고정되었는지 확인하십시오.

배터리 팩을 제거하려면 (그림 D)

- ◆ 그림 D와 같이 배터리 해제 버튼 (6b)을 누르고 배터리 팩을 공구에서 빼냅니다.

벨트후크[미포함, 유럽형 옵션] (그림 E, F)

경고! 심각한 부상의 위험을 줄이려면 전진 / 후진 버튼을 잠금 해제 위치에 두거나 도구를 끄고 부착물 또는 액세서리를 제거 / 설치하기 전에 배터리 팩을 분리하십시오. 실수로 작동하면 부상을 입을 수 있습니다.

경고! 심각한 부상의 위험을 줄이려면 공구의 벨트 후크 (9) 만 사용하여 작업 벨트에 공구를 걸십시오. 벨트 후크 (9)를 사용하여 공구를 사람이나 물체에 무거나 고정하는 데 사용하지 마십시오. 공구를 머리 위에 매달거나 벨트 후크에 물건을 매달 지 마십시오.

경고! 심각한 부상의 위험을 줄이려면 벨트 후크를 고정하는 나사 (10)가 단단히 고정되었는지 확인하십시오.

참고: 벨트 후크 (9)를 부착하거나 교체할 때는 제공된 나사 (10)만 사용하십시오. 나사를 단단히 조이십시오.

벨트 후크 (9)는 공구 양쪽의 슬롯 (11)에 밀어 넣어 부착할 수 있습니다. 제공된 나사 (10)만 사용하여 왼손잡이 또는 오른 손잡이 사용자를 수용합니다. 후크가 전혀 필요하지 않은 경우 공구에서 제거할 수 있습니다.

벨트 후크를 이동하려면 벨트 후크 (9)를 제자리에 고정하는 나사 (10)를 제거한 후 반대쪽에서 다시 조립하십시오. 나사 (10)를 단단히 조이십시오.

키리스 척 (그림 G)

경고! 액세서리를 설치하거나 제거하기 전에 공구 작동을 방지하기 위해 배터리 팩을 제거했는지 확인하십시오.

드릴 비트 또는 기타 액세서리를 삽입하려면 :

- ◆ 척 (5)을 잡고 척 끝에서 봤을 때 시계 반대 방향으로 돌립니다.
- ◆ 비트 또는 기타 액세서리 (12)를 척에 완전히 삽입하고 척 끝에서 볼 때 척을 시계 방향으로 돌려 단단히 조입니다.

경고! 척의 앞부분을 잡고 공구를 커서 드릴 비트 (또는 기타 액세서리)를 조이거나 풀지 마십시오.

액세서리 교체시 척 손상 및 부상이 발생할 수 있습니다.

트리거 스위치 및 전진 / 후진 버튼 (그림 H)

- ◆ 드릴은 그림 H에 표시된 트리거 스위치 (1)를 당기고 놓으면 켜고 끌 수 있습니다. 트리거를 더 많이 누를수록 드릴 속도가 빨라집니다.
- ◆ 정 회전 / 역 회전 제어 버튼 (2)은 공구의 회전 방향을 결정하고 잠금 해제 버튼 역할도 합니다.
- ◆ 정 회전을 선택하려면 트리거 스위치를 놓고 공구 오른쪽에 있는 정 회전 / 역 회전 제어 버튼을 누르십시오.
- ◆ 역 회전을 선택하려면 공구 왼쪽에 있는 정 회전 / 역 회전 제어 버튼을 누르십시오.
- ◆ 제어 버튼의 중앙 위치는 공구를 꺼진 위치에 고정합니다. 제어 버튼의 위치를 변경할 때 트리거가 해제되었는지 확인하십시오.

토크 제어 조정 (그림 I)

이 공구에는 작동 모드를 선택하고 나사 조임 토크를 설정하기 위한 토크 조정 칼라 (3)가 장착되어 있습니다. 큰 나사 및 단단한 공작물 재료는 작은 나사 및 부드러운 공작물 재료보다 높은 토크 설정이 필요합니다.

- ◆ 목재, 금속 및 플라스틱 드릴링의 경우 칼라 (3)를 드릴링 위치 기호로 설정합니다.
- ◆ 스크류 드라이빙의 경우 칼라를 원하는 설정으로 설정하십시오. 적절한 설정을 아직 모르는 경우 다음과 같이 진행하십시오.
- ◆ 칼라를 최저 토크 설정으로 설정합니다.
- ◆ 첫 번째 나사를 조입니다.
- ◆ 원하는 결과를 얻기 전에 클러치가 래치되면 칼라 설정을 높이고 나사를 계속 조입니다.
- ◆ 올바른 설정에 도달할 때까지 반복하십시오.
- ◆ 나머지 나사에는 이 설정을 사용하십시오.

기어 변속 스위치 (그림 J)

드릴의 이중 범위 기능을 사용하면 더 큰 다양성을 위해 기어를 변속할 수 있습니다.

- ◆ 저속, 고 토크 설정 (위치1)을 선택하려면 공구를 끄고 징지를 허용하십시오. 척에서 기어 시프터 버튼 (4)을 밀어냅니다.
- ◆ 고속, 저 토크 설정 (위치 2)을 선택하려면 공구를 끄고 멈춥니다. 기어 시프터 버튼을 척쪽으로 다시 밀니다.

참고: 공구가 작동 중일 때 기어를 변경하지 마십시오. 기어를 변경하는 데 문제가 있는 경우 이중 범위 기어 버튼을 완전히 앞으로 밀거나 완전히 뒤로 밀었는지 확인하십시오.

나사 드라이빙

- ◆ 패스너를 구동하려면 정 회전 / 역 회전 버튼을 왼쪽으로 눌러야 합니다.
- ◆ 패스너를 제거하려면 역 회전 버튼(오른쪽으로 눌린 버튼)을 사용하십시오.

참고: 정 회전에서 역 회전으로 또는 그 반대로 이동할 때는 항상 트리거 스위치를 먼저 놓으십시오.

드릴링

- ◆ 날카로운 드릴 비트 만 사용하십시오.
- ◆ 안전 지침의 지시에 따라 제대로 지원하고 안전하게 작업하십시오.
- ◆ 안전 지침에 설명 된대로 적절하고 필요한 안전 장비를

사용하십시오.

- ◆ 안전 지침의 지시에 따라 작업 영역을 고정하고 유지 관리하십시오.
- ◆ 드릴 비트가 빠져 나가지 않도록 구멍이 충분히 시작될 때까지 약간의 압력을 사용하여 드릴을 매우 천천히 실행하십시오.
- ◆ 비트로 직선으로 압력을 가하십시오. 비트를 몰지 않도록 충분한 압력을 사용하되 모터를 정지 시키거나 비트를 편향시키지 않도록 하십시오.
- ◆ 두 손으로 드릴을 단단히 잡으십시오. 한 손은 핸들을 잡고 다른 한 손은 배터리 영역 또는 보조 핸들 (제공된 경우) 주위의 바닥을 잡습니다.
- ◆ **시작을 시도할 때 끊인 드릴의 트리거를 클릭하지 마십시오. 드릴에 손상이 발생할 수 있습니다.**
- ◆ 압력을 줄이고 구멍의 마지막 부분을 천천히 드릴링하여 돌파시 스톨을 최소화합니다.
- ◆ 드릴 된 구멍에서 비트를 당기면서 모터를 계속 작동시키십시오. 이렇게 하면 끼임을 줄이는 데 도움이 됩니다.
- ◆ 스위치가 드릴을 켜고 끄는 지 확인하십시오.

목재 드릴링

나무의 구멍은 금속 또는 스페이드 비트에 사용되는 것과 동일한 트루스트 드릴 비트로 만들 수 있습니다. 이 비트는 날카롭고 플루트에서 칩을 제거하기 위해 드릴링할 때 자주 당겨야 합니다.

금속 드릴링

금속을 드릴링할 때 절삭 윤활유를 사용하십시오. 건식 드릴링해야 하는 주철과 황동은 제외됩니다. 가장 잘 작동하는 절삭유는 황화 절삭유입니다.

LED 작업등 (그림 H)

트리거 스위치 (1)를 당겨 드릴이 활성화되면 통합 LED 작업 등 (7)이 자동으로 작업 영역을 비춥니다.

참고: 작업등은 바로 작업 표면을 비추기 위한 것이며 손전등으로 사용할 수 없습니다.

문제 해결

문제	가능한 원인	가능한 해결책
기기가 작동하지 않습니다	배터리 팩이 제대로 설치되지 않았습니다. 배터리 팩이 충전되지 않았습니다.	배터리 팩 설치를 확인하십시오. 배터리 팩 충전 요구 사항을 확인하십시오.
배터리 삽입 즉시 장치 작동	스위치가 "꺼짐" 위치에 있습니다.	배터리를 삽입 할 때 공구가 즉시 시작되지 않도록 스위치를 "꺼짐"으로 설정해야 합니다.
배터리 팩이 충전되지 않습니다.	배터리 팩이 충전기에 삽입되지 않았습니다. 충전기가 연결되지 않았습니다. 주변 공기 온도가 너무 높거나 너무 낮습니다.	LED가 켜질 때까지 배터리 팩을 충전기에 삽입합니다. 충전기를 작동하는 콘센트에 꽂습니다. 적정 온도에서 충전을 하십시오.

문제	가능한 원인	가능한 해결책
장치가 갑자기 꺼집니다.	배터리 팩이 최대 열 한계에 도달했습니다. 충전이 되지 않습니다. (배터리 팩의 수명을 최대화하기 위해 충전이 고갈되면 갑자기 꺼 지도록 설계되었습니다.	배터리 팩을 식하십시오. 충전기에 놓고 충전하십시오.

배터리		SB201	SB202	SB204	SB206
전압	V _{DC}	18V (20V MAX)	18V (20V MAX)	18V (20V MAX)	18V (20V MAX)
용량	Ah	1.5	2.0	4.0	6.0
유형		리튬 이온	리튬 이온	리튬 이온	리튬 이온

서비스 정보

STANLEY는 고객들에게 가장 효율적이고 신뢰할 수 있는 서비스를 제공하기 위하여 훈련된 직원들로 센터를 구성하고 있습니다. 사용자의 안전 및 제품의 신뢰성을 보장하기 위하여 제품의 정비, 유지 보수 및 수리는 반드시 공인된 서비스센터에서 수행 해야 합니다. 자격이 없는 곳으로부터 받은 제품의 정비 및 수리는 사용자의 부상 위험 및 불이익을 초래할 수 있습니다. 당사의 공인 서비스 센터에 대한 자세한 정보와 기술 상담, 수리 또는 정품 교체 부품이 필요한 경우 가까운 STANLEY 대리점에 문의하거나 www.stanleytools.co.kr 을 방문하십시오.

유지 보수

STANLEY FATMAX 공구는 최소한의 유지 보수로 장기간 작동하도록 설계되었습니다. 만족스러운 연속 작동은 적절한 공구 관리와 정기적인 청소에 따라 그 성능이 달라질 수 있습니다

충전기는 정기적 인 청소 외에 유지 관리가 필요하지 않습니다. **경고!** 공구에 대한 유지 관리를 수행하기 전에 공구에서 배터리를 제거하십시오. 청소하기 전에 충전기의 플러그를 뽑으십시오.

- ◆ 제품 / 공구 / 충전기의 환기 슬롯을 부드러운 솔이나 마른 천으로 정기적으로 청소하십시오.
- ◆ 젖은 천을 사용하여 모터 하우징을 정기적으로 청소하고
- ◆ 연마제나 솔벤트 기반 세제를 사용하지 마십시오

환경 보호



분리 수거. 이 기호가 표시된 제품과 배터리를 일반 가정용 쓰레기와 함께 처리하면 안됩니다.

제품과 배터리에는 재활용되거나 재활용되고 고철 자원에 대한 수요를 줄일 수 있는 자재가 포함되어 있습니다. 지역 규정에 따라 전기 제품을 재활용하십시오.

기술 데이터

SBD710		
전압	V _{DC}	18V (20V MAX)
무부하 속도	Min ⁻¹	0-600 / 0-1900
최대 토크	Nm	60
척 용량	mm	1.5-13
최대 드릴링 용량		
강철 / 나무	mm	13/30
무게	kg	1.2 (배터리 없이)

충전기		SC125	SC200	SC400 SC401	SC120
입력 전압	V _{AC}	220-240	220-240	220-240	220-240
출력 전압	V _{DC}	18V (20V MAX)	18V (20V MAX)	18V (20V MAX)	18V (20V MAX)
전류	A	1.25	2	4	1.25

Tujuan penggunaan

Bor STANLEY FATMAX SBD710 tanpa karbon brush (Arang) anda sudah didesain untuk penerapan pemasangan baut dan untuk pengeboran pada kayu, logam, dan plastik. Perangkat ini hanya dimaksudkan untuk pengguna bukan ahli, profesional dan pribadi.

Petunjuk keselamatan

Peringatan umum untuk keselamatan perkakas listrik



PERINGATAN: Baca semua peringatan keamanan, instruksi, ilustrasi, dan spesifikasi yang disertakan bersama perkakas listrik ini. Kegagalan mengikuti seluruh instruksi yang tercantum di bawah ini dapat mengakibatkan sengatan listrik, kebakaran, dan/atau cedera berat

Simpan semua peringatan dan petunjuk untuk referensi di masa mendatang.

Istilah "perkakas listrik" dalam peringatan merujuk pada perkakas listrik beroperasi listrik induk (berkabel) atau perkakas listrik beroperasi baterai (nirkabel).

1. Keselamatan area kerja

- a. **Jaga agar area kerja tetap bersih dan terang.** Area yang berantakan atau gelap berpotensi mengakibatkan kecelakaan.
- b. **Jangan mengoperasikan perkakas listrik ini di lingkungan yang mudah menimbulkan bahaya ledakan, seperti di tempat yang terdapat cairan, gas, atau debu yang mudah terbakar.** Perkakas listrik menimbulkan percikan api yang dapat menyulut debu atau uap.
- c. **Jauhkan anak-anak dan orang-orang di sekitar Anda saat mengoperasikan perkakas listrik.** Gangguan dapat menyebabkan Anda kehilangan kendali.

2. Keselamatan kelistrikan

- a. **Steker perkakas listrik harus sesuai dengan soketnya. Jangan pernah memodifikasi steker dengan cara apa pun.** Jangan gunakan steker adaptor apa pun dengan perkakas listrik yang dibumikan (diardekan). Steker yang tidak dimodifikasi dan stopkontak yang sesuai akan mengurangi risiko sengatan listrik.
- b. **Hindari kontak badan dengan permukaan yang dibumikan (grounded), seperti pipa, radiator, kompor, dan kulkas.** Risiko sengatan listrik dapat meningkat jika tubuh Anda bersentuhan dengan permukaan yang dibumikan.
- c. **Jangan sampai perkakas listrik ini terkena hujan atau terpapar di kondisi yang basah.** Air yang masuk ke perkakas listrik akan meningkatkan risiko sengatan listrik.

- d. **Jangan menyalahgunakan kabel. Jangan sekali-kali menggunakan kabel untuk membawa, menarik, atau mencabut perkakas listrik. Jauhkan kabel dari panas, minyak, tepi tajam, atau komponen yang bergerak.** Kabel yang rusak atau terbelit meningkatkan risiko sengatan listrik.
- e. **Bila mengoperasikan perkakas listrik di luar ruangan, gunakan kabel ekstensi yang sesuai untuk penggunaan di luar ruangan.** Menggunakan kabel yang sesuai untuk penggunaan di luar ruangan akan mengurangi risiko sengatan listrik.
- f. **Jika penggunaan perkakas listrik di lokasi yang lembap tidak dapat dihindari, gunakan suplai yang terlindung oleh perangkat arus sisa (RCD).** Penggunaan RCD akan mengurangi risiko sengatan listrik.

3. Keselamatan diri

- a. **Tetap waspada, perhatikan apa yang Anda kerjakan dan gunakan dalam keadaan sehat saat mengoperasikan perkakas listrik. Jangan mengoperasikan perkakas listrik bila Anda sedang lelah, atau berada di bawah pengaruh obat, alkohol, atau pengobatan.** Kelengahan sesaat saat mengoperasikan perkakas listrik dapat mengakibatkan cedera diri serius.
- b. **Gunakan peralatan pelindung diri. Selalu kenakan alat pelindung mata.** Peralatan pelindung, seperti masker debu, sepatu keselamatan antiselip, helm proyek, atau pelindung telinga yang digunakan untuk kondisi yang sesuai akan mengurangi risiko cedera diri.
- c. **Hindarkan menyalakan alat tanpa disengaja. Pastikan bahwa sakelar sudah dalam posisi mati sebelum menghubungkannya ke sumber listrik dan/atau baterai, mengambil, atau membawa alat.** Membawa perkakas listrik dengan jari Anda masih menempel pada tombol atau menghidupkan perkakas listrik yang tombolnya masih menyala akan berpotensi mengakibatkan kecelakaan.
- d. **Lepaskan semua kunci setelan atau kunci pas sebelum menghidupkan perkakas listrik.** Kunci pas atau kunci yang dibiarkan terpasang pada komponen perkakas listrik yang berputar dapat mengakibatkan cedera diri.
- e. **Jangan melampaui batas. Selalu jaga pijakan dan keseimbangan yang baik.** Hal ini memungkinkan Anda untuk mengendalikan perkakas listrik secara lebih baik dalam situasi yang tidak terduga.
- f. **Kenakan pakaian yang sesuai. Jangan mengenakan pakaian longgar atau perhiasan. Jauhkan rambut, pakaian dan sarung tangan dari komponen yang bergerak.** Pakaian yang longgar, perhiasan atau rambut panjang dapat tersangkut pada komponen yang bergerak.
- g. **Jika disediakan perangkat untuk sambungan fasilitas pengeluaran dan pengumpulan debu, pastikan**

- perangkat ini dihubungkan dan digunakan dengan sesuai. Penggunaan alat pengumpul debu dapat mengurangi bahaya yang ditimbulkan oleh debu.
- h. **Jangan biarkan karena keseringan menggunakan alat membuat Anda berpuas diri dan mengabaikan prinsip keselamatan alat.** Tindakan ceroboh dapat menyebabkan cedera parah dalam hitungan seperseki-an detik.
4. **Penggunaan dan pemeliharaan perkakas listrik**
- a. **Jangan menggunakan perkakas listrik dengan sembarang. Gunakan perkakas listrik yang sesuai untuk aplikasi Anda.** Perkakas listrik yang tepat akan bekerja lebih baik dan aman pada tingkatan kerja yang telah dirancang untuk alat itu.
- b. **Jangan gunakan perkakas listrik ini jika tombol tidak dapat menghidupkan dan mematikan alat.** Perkakas listrik apa pun yang tidak dapat dikendalikan dengan tombol adalah berbahaya dan harus diperbaiki.
- c. **Lepaskan stopkontak dari sumber listrik dan/atau baterai dari perkakas listrik sebelum melakukan penyetelan apa pun, mengganti aksesoris, atau menyimpan perkakas listrik.** Tindakan pencegahan untuk keselamatan seperti itu akan mengurangi risiko menyalakan perkakas listrik secara tidak disengaja.
- d. **Simpan perkakas listrik yang tidak digunakan jauh dari jangkauan anak-anak, dan jangan membolehkan orang yang tidak memahami perkakas listrik atau petunjuk ini untuk mengoperasikannya.** Perkakas listrik dapat berbahaya bila digunakan oleh pengguna yang tidak terlatih.
- e. **Rawat perkakas listrik.** Lakukan pemeriksaan untuk mengetahui apakah ada komponen bergerak yang tidak sejajar atau bengkok, komponen yang patah, dan kondisi lainnya yang dapat memengaruhi pengoperasian perkakas listrik. Jika rusak, perbaiki perkakas listrik sebelum digunakan. Banyak terjadi kecelakaan akibat perkakas listrik yang tidak terawat dengan baik.
- f. **Jaga ketajaman dan kebersihan alat pemotong.** Alat pemotong yang terawat dengan baik dengan mata potong yang tajam akan kecil kemungkinannya untuk macet serta lebih mudah untuk dikendalikan.
- g. **Gunakan perkakas listrik, aksesoris, dan mata bor, dsb., sesuai petunjuk ini, dengan memperhitungkan persyaratan kerja dan jenis pekerjaan yang harus dilakukan.** Penggunaan perkakas listrik untuk pengoperasian yang tidak sesuai dengan tujuan penggunaan dapat mengakibatkan situasi yang berbahaya.
- h. **Jaga agar pegangan dan permukaan pegangan tetap kering, bersih, dan bebas dari minyak dan lemak.** Pegangan dan permukaan pegangan yang licin tidak memungkinkan untuk melakukan penanganan dan pengendalian alat dengan aman saat dalam situasi tak terduga..
5. **Penggunaan dan pemeliharaan perkakas bertenaga baterai**
- a. **Isi ulang daya hanya menggunakan pengisi daya yang ditentukan oleh pabrik.** Pengisi daya yang cocok untuk satu tipe baterai dapat menimbulkan risiko kebakaran jika digunakan pada baterai lainnya.
- b. **Gunakan perkakas hanya dengan baterai yang ditujukan secara khusus.** Penggunaan baterai lainnya dapat menimbulkan risiko cedera dan kebakaran.
- c. **Pada saat baterai tidak digunakan, jauhkan baterai dari benda logam seperti klip penjepit kertas, koin, kunci, unit, sekrup, atau benda logam kecil lainnya yang dapat membuat hubungan dari satu terminal dengan terminal lainnya.** Menghubungkan kedua terminal baterai dengan kabel secara tidak semestinya dapat mengakibatkan luka bakar atau kebakaran.
- d. **Pemakaian yang salah bisa menyebabkan keluarnya cairan dari baterai; hindari kontak.** Jika tidak sengaja tersentuh, bilas dengan air. Jika cairan mengenai mata, carilah juga bantuan medis. Cairan yang keluar dari baterai dapat menyebabkan iritasi atau luka bakar.
- e. **Jangan gunakan baterai atau alat yang rusak atau telah dimodifikasi.** Baterai yang rusak atau telah dimodifikasi dapat menunjukkan sifat yang tidak dapat diprediksi yang dapat mengakibatkan kebakaran, ledakan atau risiko cedera.
- f. **Jangan dekatkan baterai atau perkakas ke api atau suhu berlebihan.** Paparan pada api atau suhu di atas 130 °C dapat menyebabkan ledakan.
- g. **Ikuti semua petunjuk pengisian daya dan jangan isi baterai atau perkakas di luar rentang suhu yang ditetapkan dalam petunjuk.** Mengisi daya tidak semestinya atau pada suhu di luar rentang yang ditetapkan dapat merusak baterai dan meningkatkan risiko kebakaran.
6. **Servis**
- a. **Perkakas listrik sebaiknya diservis oleh teknisi yang berkualifikasi dan hanya menggunakan komponen pengganti yang persis sama.** Hal ini akan membuat keamanan perkakas listrik selalu terjaga.
- b. **Jangan pernah melakukan servis baterai yang rusak.** Servis baterai hanya dapat dilakukan oleh produsen atau penyedia layanan resmi.
- Peringatan tambahan untuk keamanan perkakas listrik**
- ♦ **Gunakan jepitan atau cara praktis lain untuk mengamankan dan menyangga benda kerja pada landasan yang stabil.** Memegang benda dengan tangan

atau disandarkan pada tubuh Anda akan membuatnya tidak stabil dan dapat mengakibatkan hilangnya kendali.

- ♦ **Sebelum mengebor tembok, lantai, atau langit-langit, periksa dulu penempatan kabel dan pipa.**
- ♦ **Tujuan penggunaan dijelaskan dalam buku petunjuk ini.**
- ♦ **Menggunakan aksesoris atau peralatan tambahan, maupun mengoperasikan perkakas ini dengan cara yang tidak sesuai dengan yang disarankan dalam panduan pengguna ini dapat menimbulkan risiko cedera tubuh dan/atau kerusakan benda-benda milik pribadi.**

1) Petunjuk Keselamatan untuk Semua penggunaan

- c. **Sokong alat dengan benar sebelum digunakan.** Alat ini menghasilkan gaya putaran yang tinggi dan bila alat tidak disokong dengan benar selama pemakaian, bisa terjadi kehilangan kendali yang mengakibatkan cedera pada diri.
- d. **Pegang perkakas listrik pada permukaan pegangan berpenyekat saat melakukan pengoperasian di mana aksesoris pemotong dapat bersentuhan dengan kabel tersembunyi.** Aksesoris pemotong yang bersentuhan dengan kabel bertegangan listrik dapat mengalirkan arus listrik pada komponen logam perkakas listrik dan mengakibatkan sengatan listrik pada pengguna.

2) Instruksi keamanan saat menggunakan mata bor panjang

- a. **Jangan pernah mengoperasikan alat pada kecepatan yang lebih tinggi dari tingkat kecepatan maksimal dari mata bor.** Pada kecepatan yang lebih tinggi, mata bor bisa membengkok bila dibuat berotasi dengan bebas tanpa berkontak dengan benda kerja, yang mengakibatkan cedera pada diri.
- b. **Selalu mulai mengebor pada kecepatan rendah dan dengan ujung mata bor berkontak langsung dengan benda kerja.** Pada kecepatan yang lebih tinggi, mata bor bisa membengkok bila dibuat berotasi dengan bebas tanpa berkontak dengan benda kerja, yang mengakibatkan cedera pada diri.
- c. **Berikan tekanan hanya langsung sejalan dengan mata bor dan jangan berikan tekanan yang berlebihan.** Mata bor bisa membengkok yang menyebabkan kerusakan atau kehilangan kendali, yang mengakibatkan cedera pada diri.

Keselamatan orang lain

- ♦ Peralatan ini tidak ditujukan untuk pengguna (termasuk anak-anak) yang menderita kekurangan kemampuan fisik, sensorik, atau mental, atau kurang pengalaman dan pengetahuan, kecuali mereka diawasi atau diarahkan dalam penggunaan peralatan ini oleh pihak-pihak yang bertanggung jawab atas keselamatan mereka.
- ♦ Anak-anak harus diawasi agar mereka tidak bermain-main dengan peralatan ini.

Risiko-risiko lain

Risiko-risiko lain dapat timbul saat menggunakan alat, yang mungkin tidak tercantum dalam peringatan keselamatan yang disertakan. Risiko-risiko ini dapat diakibatkan oleh penyalahgunaan, penggunaan yang terlalu lama, dsb. Sekalipun peraturan keselamatan terkait sudah diterapkan dan peralatan pengaman sudah digunakan, risiko residual tertentu tidak dapat dihindari. Ini meliputi:

- ♦ Cedera yang diakibatkan karena menyentuh komponen apa pun yang berputar/bergerak.
- ♦ Cedera yang terjadi saat mengganti komponen, pemotong, atau aksesoris.
- ♦ Cedera yang diakibatkan karena penggunaan alat untuk waktu lama. Jika menggunakan alat apa pun untuk waktu yang lama, pastikan Anda mengistirahatkannya secara berkala.
- ♦ Kerusakan indra pendengaran.
- ♦ Bahaya kesehatan yang disebabkan oleh menghirup debu yang ditimbulkan oleh penggunaan alat (contoh: mengampelas kayu, khususnya kayu oak, beech, dan MDF)

Label pada alat

Label pada alat Anda dapat memuat simbol-simbol berikut ini.

	Peringatan! Jangan menatap lampu operasi		
	PERINGATAN! Untuk mengurangi risiko cedera, pengguna harus membaca buku petunjuk sebelum digunakan.		
	Kenakanacamata pengaman atau pelindung.		
	Gunakan pelindung telinga.		
	Kenakanlah masker debu.		
V	Voltase		Arus Langsung (DC)
A	Ampere	n_0	Kecepatan nominal
Hz	Hertz		Konstruksi Kelas II
W	Watts		Terminal Arde (Pentanahan)
min	menit		Simbol Waspada Keselamatan
	Arus Bolak-Balik (AC)	/min.	Putaran atau putaran bolak-balik per menit

Petunjuk keselamatan tambahan untuk baterai dan pengisi daya

Baterai

- Jangan pernah membuka baterai dengan maksud apa pun.
- Jangan biarkan baterai terkena air.
- Jangan simpan di lokasi yang suhunya melebihi 40 °C.
- Lakukan pengisian daya hanya pada suhu lingkungan antara 10 °C hingga 40 °C.
- Hanya mengisi daya menggunakan alat pengisi daya yang disediakan bersama alat.
- Saat membuang baterai, ikuti petunjuk yang diberikan dalam bagian "Melindungi Lingkungan".

Pengisi daya

- Gunakan pengisi daya STANLEY FATMAX hanya untuk mengisi daya baterai dalam peralatan/alat yang diberikan bersama pengisi daya. Baterai lain dapat meledak, mengakibatkan cedera badan dan kerusakan
- Jangan coba mengisi daya baterai yang tidak dapat diisi ulang.
- Segera ganti kabel yang rusak.
- Jauhkan pengisi daya dari air.
- Jangan buka pengisi daya.
- Jangan tusuk pengisi daya.



Pengisi daya ini hanya ditujukan untuk penggunaan di dalam ruangan.



Bacalah buku petunjuk sebelum menggunakan.



Jangan pernah mengisi ulang daya baterai rusak.

Keselamatan kelistrikan



Pengisi daya Anda diisolasi secara ganda; karenanya tidak memerlukan kawat tanah. Selalu pastikan bahwa tegangan daya sesuai dengan tegangan pada pelat nilai arus. Jangan coba mengganti unit pengisi daya dengan konektor daya biasa

- Kabel daya yang rusak harus diganti oleh produsen atau Pusat Layanan resmi FatMax Service untuk menghindari bahaya.

Peringatan! Jangan pernah mencoba mengganti unit pengisi daya dengan steker utama biasa.

Fitur-fitur

Alat ini meliputi beberapa atau semua fitur-fitur berikut.

1. Saklar pemacu
2. Tombol Kendali bolak/balik
3. Alat Penyesuaian Torsi
4. Pemilih Roda Gigi Rentang Ganda

5. Kepala Bor Tanpa Kunci
6. Baterai
7. Lampu kerja LED

Gunakan

Peringatan! Biarkan alat bekerja dalam kecepatannya sendiri. Jangan berikan muatan berlebih.

Mengisi daya baterai (Gbr. A)

Daya baterai perlu diisi sebelum digunakan pertama kalinya dan kapanpun saat alat gagal menghasilkan daya yang cukup untuk pekerjaan yang dengan mudah dilakukan sebelumnya. Baterai bisa menjadi hangat saat pengisian daya; hal ini normal dan tidak menandakan adanya masalah.

Peringatan! Jangan mengisi daya baterai pada suhu ruangan di bawah 10°C atau diatas 40°C. Suhu pengisian daya yang direkomendasikan: sekitar 24°C.

Catatan: Pengisi daya tidak akan mengisi daya baterai bila suhu sel di bawah kurang lebih 10°C atau di atas 40°C.

Baterai harus ditinggalkan dalam pengisi daya dan pengisi daya akan mulai mengisi secara otomatis saat suhu sel mulai menghangat atau mendingin.

Catatan: Untuk memastikan performa maksimal dan masa hidup unit baterai litium-ion, isi daya unit baterai sampai penuh sebelum penggunaan pertama.

- Masukkan kabel pengisi daya (8) ke dalam outlet soket yang sesuai sebelum memasukkan unit baterai (6).
- Cahaya pengisian daya hijau (8a) akan berkedip terus-menerus yang menandakan bahwa proses pengisian daya sudah dimulai.
- Penyelesaian pengisian daya akan ditandai dengan lampu hijau pengisian daya (8a) yang terus MENYALA tanpa henti. Daya unit baterai (6) sudah terisi penuh dan bisa dilepaskan serta digunakan saat ini atau ditinggalkan dalam pengisi daya (8).
- Isi daya baterai yang habis dalam 1 minggu. Masa hidup baterai akan sangat berkurang bila disimpan dalam keadaan daya yang habis.

Mode LED Pengisi daya

Indikator untuk semua pengisi daya kecuali SC120

	pengisian Daya		
	Daya terisi penuh		
	keterangan status battery Panas/Dingin		

Hanya Indikator Pengisi Daya SC120

	pengisian Daya		
	Daya terisi penuh		
	keterangan status battery Panas/Dingin		

Catatan: Pengisi daya yang sesuai tidak akan mengisi daya unit baterai yang rusak. Pengisi daya akan menandakan bahwa unit baterai rusak dengan tidak menyalakan lampu.

Catatan: Hal ini juga bisa menandakan adanya masalah dengan pengisi daya. Bila pengisi daya memberi tanda adanya masalah, ambil pengisi daya dan unit baterai untuk diperiksa pada pusat layanan resmi.

Tinggalkan baterai dalam pengisi daya

Pengisi daya dan unit baterai bisa ditinggalkan terhubung dengan LED yang menyala terang tanpa batas waktu. Pengisi daya akan menjaga unit baterai tetap baru dengan daya terisi penuh. Perangkat ini hanya dimaksudkan untuk penggunaan pribadi, profesional dan non-profesional

Pengaturan Unit Panas/Dingin

Saat pengisi daya menemukan bahwa baterai terlalu panas atau terlalu dingin, alat akan secara otomatis menyalakan Pengaturan Unit Panas/Dingin, LED hijau (8a) akan berkedip secara berulang kali, sembari LED merah (8b) akan menyala terus-menerus, menunda pengisian daya sampai baterai sudah mencapai suhu yang sesuai. Pengisi daya akan secara otomatis berganti mode menjadi mode pengisian unit. Fitur ini memastikan agar masa hidup baterai maksimal.

Indikator keadaan pengisian daya baterai (Gbr. B)

Baterai memiliki indikator keadaan pengisian daya untuk menentukan dengan cepat lamanya masa hidup baterai seperti yang diperlihatkan gambar B. Dengan menekan tombol keadaan pengisian daya (6a) anda bisa melihat dengan mudah sisa pengisian daya seperti yang diilustrasikan gambar B.

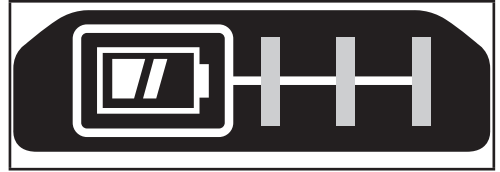
Pemasangan di dinding

Beberapa pengisi daya STANLEY FATMAX dirancang agar dapat dipasang di dinding atau diletakkan tegak di atas meja atau permukaan kerja. Jika dipasang di dinding, cari pengisi daya dalam jangkauan stopkontak listrik, dan jauh dari sudut atau penghalang lain yang dapat menghambat aliran udara. Gunakan bagian belakang.

Bentuk pengisi daya (Charger) sudah tersedia untuk lokasi sekrup pemasangan di dinding. Pasang pengisi daya dengan aman menggunakan sekrup drywall (dibeli terpisah) minimal dengan panjang 1" (25.4mm), dengan kepala sekrup diameter 0.28–0.35" (7–9 mm), disekrupkan ke kayu hingga kedalaman optimal menyisakan sekitar 7/32" (5,5 mm) sekrup terbuka. Sejajarkan slot di bagian belakang pengisi daya dengan sekrup yang terbuka dan pasang sepenuhnya di slot.

Catatan: Jangan mencoba memasang pengisi daya SC120 di bawah bangku atau meja

Catatan: Hanya pasang pengisi daya SC120 dengan lampu pengisi daya mengarah ke atas ke langit-langit (menghadap atas).



Memasang dan Melepaskan Unit Baterai dari alat

Peringatan! Pastikan tombol pengunci sudah terkunci untuk mencegah aktuasi saklar sebelum melepas atau memasang baterai.

Untuk memasang unit baterai (Gbr. C)

- ♦ Masukkan unit baterai dengan kuat ke dalam alat sampai terdengar bunyi klik yang diperlihatkan gambar C. Pastikan unit baterai terduduk sepenuhnya dan terkunci seluruhnya ke dalam posisi.

Untuk melepas unit baterai (Gbr. D)

- ♦ Tekan tombol pelepas baterai (6b) seperti yang diperlihatkan gambar D dan tarik unit baterai keluar alat.

Sabuk pengait (Tambahan aksesoris) (Gbr. E, F)

Peringatan! Untuk mengurangi risiko terjadinya cedera serius pada diri, tempatkan tombol maju/mundur dalam posisi terkunci atau matikan alat dan putuskan koneksi unit baterai sebelum membuat perubahan apapun atau sebelum melepas/memasang alat atau aksesoris tambahan. Penyalaan alat yang tidak disengaja bisa menyebabkan cedera.

Peringatan! Untuk mengurangi risiko terjadinya cedera serius pada diri, HANYA gunakan kait sabuk alat (9) untuk menggantung alat dari sabuk kerja. JANGAN gunakan kait sabuk (9) untuk mengamankan atau menautkan alat pada seseorang atau benda apapun selama penggunaan. JANGAN menggantung alat di atas atau menggantung benda dari kait sabuk.

Peringatan! Untuk mengurangi risiko terjadinya cedera serius pada diri, pastikan baut (10) yang menahan kait sabuk sudah kencang.

Catatan: Saat memasang atau mengganti kait sabuk (9), hanya gunakan baut (10) yang sudah disediakan. Pastikan untuk mengencangkan baut dengan ketat.

Kait sabuk mesin (9) bisa dipasang dengan digeser ke dalam slot (11) pada kedua sisi alat. Hanya gunakan baut (10) yang disediakan untuk mengakomodir pengguna kidal atau bertangan kanan. Bila anda tidak menginginkan untuk memakai kait sama sekali, kait bisa dilepas dari alat.

Untuk menggerakkan kait sabuk, lepaskan baut (10) yang menahan kait sabuk (9) pada tempatnya lalu susun ulang pada sisi yang berlawanan. Pastikan untuk mengencangkan baut dengan ketat (10).

Catatan: Tersedia beragam kait gantungan dinding dan susunan ruang penyimpanan.

Mohon kunjungi situs kami www.stanley.eu/3 untuk informasi lebih lanjut.

Kejala Bor Tanpa Kunci (Gbr. G)

Peringatan! Lepaskan pak baterai tertentu untuk mencegah aktuasi alat sebelum pemasangan atau pelepasan aksesoris. Untuk memasukkan sebuah mata bor atau aksesoris lainnya:

- ♦ Genggam kepala bor (5) dan putar dalam arah yang berlawanan jarum jam, yang bisa dilihat dari ujung kepala bor.
- ♦ Masukkan mata bor atau aksesoris lainnya (12) sampai penuh ke dalam kepala bor dan kencangkan dengan aman dengan memutar kepala bor searah jarum jam yang bisa dilihat dari ujung kepala bor.

Peringatan! Jangan mencoba untuk mengencangkan atau melonggarkan mata bor (atau aksesoris lain apapun) dengan menggenggam bagian depan kepala bor dan menyalakan alatnya.

Kerusakan pada kepala bor dan cedera pribadi bisa terjadi saat mengganti aksesoris.

Saklar pemacu & tombol bolak/balik (Gbr. H)

- ♦ Bor DINYALAKAN dan DIMATIKAN dengan menarik dan melepaskan saklar pemacu (1) yang diperlihatkan pada Gambar H. Semakin jauh saklar turun, semakin tinggi kecepatan bor.
- ♦ Tombol kendali bolak/balik (2) menentukan arah putaran alat dan juga sebagai tombol kunci.
- ♦ Untuk memilih rotasi maju, lepaskan saklar pemacu dan tekan tombol kendali bolak/balik pada sisi kanan alat.
- ♦ Untuk memilih terbalik, tekan tombol kendali bolak/balik pada sisi kiri alat.
- ♦ Posisi pusat dari tombol kendali mengunci alat pada posisi mati. Saat mengubah posisi tombol kendali, pastikan trigger dilepaskan.

Menyesuaikan kontrol torsi (Gbr. I)

Alat ini diselaraskan dengan alat penyesuaian torsi (3) untuk memilih mode operasional dan untuk mengatur torsi dalam mengencangkan baut. Baut besar dan bahan-bahan alat kerja yang keras memerlukan pengaturan torsi yang lebih tinggi dibandingkan dengan baut kecil dan bahan alat kerja yang lunak.

- ♦ Untuk mengebor kayu, logam dan plastik, atur collar (3) ke simbol posisi pengeboran.
- ♦ Untuk pemasangan baut, atur collar pada pengaturan yang diinginkan. Bila anda masih belum tahu pengaturan yang sesuai, ikuti langkah berikut ini:
 - ♦ Atur pengaturan collar pada torsi terendah.
 - ♦ Kencangkan baut pertama.
 - ♦ Bila kepala bor hanya bisa diputar searah sebelum mendapatkan hasil yang diinginkan, tingkatkan pengaturan collar dan lanjut kencangkan baut.
 - ♦ Ulangi sampai anda mencapai pengaturan yang tepat.

- ♦ Gunakan pengaturan ini pada baut-baut yang tersisa.

Saklar rentang ganda (Gbr. J)

Fitur rentang ganda pada bor anda membuat anda bisa berganti roda gigi untuk fleksibilitas alat yang lebih banyak.

- ♦ Untuk pengaturan torsi tinggi, berkecepatan rendah (posisi 1), matikan alat dan biarkan alat berhenti. Geser tombol pengubah roda gigi (4) menjauhi kepala bor.
- ♦ Untuk memilih pengaturan torsi rendah, berkecepatan tinggi (posisi 2), matikan alat dan biarkan alat berhenti. Geser tombol pengubah roda gigi kembali kearah kepala bor.

Catatan: Jangan mengubah roda gigi saat alat sedang berjalan. Bila anda mengalami masalah mengganti roda gigi, pastikan tombol roda gigi rentang ganda terdorong maju seluruhnya atau terdorong ke belakang seluruhnya.

Pemasangan baut

- ♦ Untuk mengencangkan bor, tombol bolak/balik harus didorong ke kiri.
- ♦ Gunakan pembalik arah (tombol yang didorong ke kanan) untuk melepas pengunci.

Catatan: Saat bergerak dari depan ke belakang, atau sebaliknya, selalu lepas saklar pemacu terlebih dahulu.

Pengeboran

- ♦ Hanya gunakan mata bor yang tajam.
- ♦ Dukung dan amankan pekerjaan dengan tepat, sesuai yang diarahkan dalam Instruksi Keamanan.
- ♦ Gunakan alat keamanan yang tepat dan diperlukan, sesuai yang diarahkan dalam Instruksi Keamanan.
- ♦ Amankan dan jaga area kerja, sesuai yang diarahkan dalam Instruksi Keamanan.
- ♦ Jalankan bor secara perlahan sekali, hanya menggunakan tekanan yang ringan, sampai lubang mulai terbentuk untuk menjaga mata bor tidak tergelincir keluar.
- ♦ Berikan tekanan dalam garis lurus dengan mata bor. Gunakan tekanan yang cukup untuk menjaga tusukan mata bor tetapi tidak sebanyak sampai memperlambat motor atau membelokkan mata bor.
- ♦ Tahan bor dengan kuat menggunakan kedua tangan, satu tangan pada gagang, dan tangan lainnya memegang bagian bawah sekitar baterai atau gagang bantu bila disediakan.
- ♦ **JANGAN KLIK TRIGGER DARI BOR MACET DENGAN MEMATIKAN DAN MENYALAKAN SEBAGAI USAHA MEMULAI BOR LAGI. BISA MENGAKIBATKAN KERUSAKAN BOR.**
- ♦ Minimalisir kemacetan alat pada penerobosan dengan mengurangi tekanan dan mengebor secara perlahan melewati bagian ujung lubang.
- ♦ Jaga agar motor berjalan selama menarik mata bor keluar dari lubang. Hal ini akan membantu mengurangi terjadinya

kemacetan.

- ♦ Pastikan tombol bisa menyalakan dan mematikan bor.

Mengebor kayu

Lubang dalam kayu bisa dibuat dengan mata bor putar yang sama yang digunakan pada logam atau dengan mata bor sekop. Mata bor ini harus tajam dan harus ditarik secara teratur saat mengebor untuk membersihkan serpihan dari galur bor.

Mengebor logam

Gunakan pelumas pemotongan saat mengebor logam. Pengecualiannya adalah besi cor dan kuningan yang harus dibor saat kering. Pelumas pemotongan yang bekerja paling baik adalah cairan minyak pemotongan belerang.

Lampu kerja LED (Gbr. H)

Saat bor diaktivasi dengan menarik saklar pemicu (1), lampu kerja LED yang terintegrasi (7) akan menerangi area kerja secara otomatis.

Catatan: Lampu kerja berfungsi untuk penerangan permukaan kerja segera dan tidak diperuntukkan penggunaannya sebagai senter.

Pemecahan masalah

Masalah	Penyebab yang mungkin	Solusi yang mungkin
Unit tidak akan menyala	Pak baterai tidak dipasang dengan tepat. Pak baterai tidak diisi daya.	Periksa pemasangan pak baterai. Periksa persyaratan pengisian daya pak baterai.
Unit langsung menyala saat memasukkan baterai	Saklar ditinggalkan pada posisi "on".	Saklar harus diubah ke posisi "off" untuk mencegah alat langsung menyala saat baterai dimasukkan.
Pak baterai tidak akan terisi daya.	Pak baterai tidak dimasukkan ke dalam pengisi daya. Pengisi daya tidak terpasang. Suhu udara disekitar ruangan terlalu panas atau terlalu dingin.	Masukkan pak baterai ke dalam pengisi daya sampai LED menyala. Colokkan pengisi daya ke dalam soket listrik. Pindahkan pengisi daya dan pak baterai pada suhu udara ruangan di atas 45° Catau dibawah +40.5°C.
Unit mati mendadak	Pak baterai sudah mencapai batas suhu maksimalnya. Kehabisan daya. (Untuk memaksimalkan daya hidup pak baterai, alat didesain untuk mati mendadak saat daya habis	Biarkan pak baterai untuk mendingin. Letakkan pada pengisi daya dan biarkan untuk mengisi daya.

Pemeliharaan

Perkakas listrik STANLEY telah dirancang untuk penggunaan jangka panjang dengan pemeliharaan minimal. Pengoperasian yang memuaskan secara terus-menerus

bergantung pada cara pemeliharaan yang benar dan pembersihan alat secara teratur.

Pengisi daya anda tidak memerlukan pemeliharaan apapun selain pembersihan alat secara teratur.

Peringatan! Sebelum melakukan pemeliharaan apapun pada alat, lepaskan baterai dari alat. Cabut pengisi daya sebelum membersihkan alat.

- ♦ Bersihkan lubang angin di perangkat Anda secara teratur menggunakan sikat lembut atau kain kering.
- ♦ Bersihkan kerangka motor secara teratur dengan menggunakan kain bersih yang lembap.
- ♦ Jangan gunakan bahan pembersih abrasif atau pembersih berbasis dasar larutan apa pun.

Melindungi lingkungan



Pembuangan terpisah. Produk dan baterai yang ditandai dengan simbol ini tidak boleh dibuang bersama dengan sampah rumah tangga biasa.

Produk dan baterai berisi bahan yang dapat digunakan kembali atau didaur ulang yang mengurangi permintaan kebutuhan bahan baku. Harap mendaur ulang produk listrik dan baterai sesuai dengan ketentuan setempat. Informasi selengkapnya tersedia di www.2helpU.com.

Data teknis

		SBD710		
Voltase	V_{DC}	18V (20V MAX)		
Kecepatan tanpa beban	Min^{-1}	0-600 / 0-1900		
Torsi maksimal	Nm	60		
Kapasitas kepala bor	mm	1.5-13		
Kapasitas Pengeboran Maksimal				
Baja/kayu	mm	13/30		
Berat	kg	1.2 (without battery)		

Pengisi daya		SC125	SC200	SC400 SC401	SC120
Voltase Input	V_{AC}	220-240	220-240	220-240	220-240
Tegangan keluaran	V_{DC}	18V (20V MAX)	18V (20V MAX)	18V (20V MAX)	18V (20V MAX)
Arus	A	1.25	2	4	1.25

Baterai		SB201	SB202	SB204	SB206
Voltase	V_{DC}	18V (20V MAX)	18V (20V MAX)	18V (20V MAX)	18V (20V MAX)
Kapasitas	Ah	1.5	2.0	4.0	6.0
Tipe		Li-Ion	Li-Ion	Li-Ion	Li-Ion

INFORMASI LAYANAN

STANLEY FATMAX menawarkan sebuah jaringan penuh milik

perusahaan dan berada di tempat layanan resmi. Semua Pusat Layanan STANLEY FATMAX diisi oleh petugas terlatih untuk memberikan

Layanan perkakas listrik yang efisien dan bisa diandalkan pada pelanggan. Untuk informasi lebih lanjut mengenai pusat layanan resmi kami dan bila anda memerlukan saran teknis, perbaikan atau penggantian bagian alat asli dari pabrik, hubungi lokasi STANLEY FATMAX terdekat anda atau kunjungi kami pada **www.stanleytools.com**.

วัตถุประสงค์ในการใช้งาน

สว่านไขควงแบบไม่มีแปร่งถ่านรุ่น SBD710 ของ STANLEY FATMAX ของคุณได้รับการออกแบบมาสำหรับการใช้งานไขควงและใช้สำหรับการเจาะไม้ โลหะและพลาสติก อุปกรณ์นี้เหมาะสำหรับการใช้งานแบบมืออาชีพและส่วนบุคคลและสำหรับผู้ที่ไม่ได้เป็นมืออาชีพ

ข้อปฏิบัติเพื่อความปลอดภัย

คำเตือนเพื่อความปลอดภัยสำหรับเครื่องมือไฟฟ้าทั่วไป



คำเตือน: อ่านคำเตือน ข้อปฏิบัติเพื่อความปลอดภัยทั้งหมด รวมทั้งภาพประกอบและข้อมูลที่ให้มาเกี่ยวกับเครื่องมือไฟฟ้านี้ การไม่ปฏิบัติตามคำเตือนและข้อปฏิบัติเหล่านี้อาจทำให้เกิดไฟฟ้าช็อต เกิดอัคคีภัย และ/หรือบาดเจ็บสาหัสได้

จัดเก็บเอกสารคำเตือนและคำแนะนำทั้งหมดไว้เพื่อการอ้างอิงในภายหลัง

คำว่า “เครื่องมือไฟฟ้า” ในคำเตือน หมายถึง เครื่องมือไฟฟ้า (แบบมีสาย) ที่ทำงานผ่านแหล่งจ่ายไฟหลัก หรือ เครื่องมือไฟฟ้า (แบบไร้สาย) ที่ทำงานผ่านแบตเตอรี่

1. ความปลอดภัยในบริเวณที่ทำงาน

- รักษาความปลอดภัยและจัดให้มีแสงสว่างเพียงพอในบริเวณที่ทำงาน บริเวณที่มีมืดหรือมีของวางระเกะระกะอาจทำให้เกิดอุบัติเหตุได้
- ห้ามใช้เครื่องมือไฟฟ้าในบริเวณที่อาจเกิดการระเบิด เช่น ในสถานที่ที่มีของเหลว แก๊ส หรือฝุ่นละอองที่มีคุณสมบัติไวไฟ เครื่องมือไฟฟ้าจะทำให้เกิดประกายไฟที่อาจทำให้เกิดประกายไฟหรือเปลวไฟขึ้นได้
- ระวังไม่ให้เด็กและคนเดินผ่านไปมาเข้าใกล้ในขณะที่ใช้งานเครื่องมือไฟฟ้า สิ่งรบกวนอาจทำให้คุณเสียสมาธิได้

2. ความปลอดภัยทางไฟฟ้า

- ปลั๊กไฟของเครื่องต้องเป็นชนิดเดียวกับเต้ารับ ห้ามตัดแปลงปลั๊กไฟด้วยวิธีใด ห้ามใช้ปลั๊กอะแดปเตอร์ใดๆ กับเครื่องมือไฟฟ้าที่ต่อสายดิน (ลงกราวด์) ปลั๊กที่ไม่มีการตัดแปลงและเต้ารับชนิดเดียวกันจะช่วยลดความเสี่ยงจากการเกิดไฟฟ้าช็อต
- หลีกเลี่ยงการสัมผัสพื้นผิวที่ต่อสายดินหรือลงกราวด์ เช่น ท่อ หม้อน้ำ เตาหุงต้ม และตู้เย็น มีความเสี่ยงเพิ่มขึ้นที่จะเกิดไฟฟ้าช็อตหากร่างกายเป็นสื่อเชื่อมต่อลงดินหรือลงกราวด์
- อย่าให้เครื่องมือไฟฟ้าถูกฝนหรืออยู่ในสภาพที่เปียกชื้น น้ำที่เข้าเครื่องมือไฟฟ้าจะเพิ่มความเสี่ยงในการเกิดไฟฟ้าช็อต

- ห้ามใช้สายไฟผิดวัตถุประสงค์ ห้ามใช้สายไฟเพื่อการหิ้ว ดึง หรือถอดปลั๊กเครื่องมือไฟฟ้า เก็บสายไฟให้พ้นจากความร้อน น้ำมัน ของมีคม หรือ ชิ้นส่วนที่กำลังเคลื่อนที่ สายไฟที่ชำรุดหรือพันกันเป็นการเพิ่มความเสี่ยงจากการถูกไฟฟ้าช็อต
- เมื่อใช้เครื่องมือไฟฟ้านอกอาคาร ให้ใช้สายต่อพ่วงที่เหมาะสมสำหรับการใช้งานนอกอาคาร ใช้สายไฟที่เหมาะสมสำหรับไขควงนอกอาคารจะช่วยลดความเสี่ยงต่อการเกิดไฟฟ้าช็อต
- หากไม่สามารถหลีกเลี่ยงการใช้เครื่องมือไฟฟ้าในบริเวณที่ชื้นและได้ ให้ใช้อุปกรณ์ป้องกันไฟดูด (RCD) การใช้ RCD จะช่วยลดความเสี่ยงในการถูกไฟฟ้าช็อต

3. ความปลอดภัยส่วนบุคคล

- ตื่นตัวและมีสมาธิกับสิ่งที่คุณกำลังทำ รวมทั้งใช้สามัญสำนึกในขณะที่กำลังใช้งานเครื่องมือไฟฟ้า ห้ามใช้เครื่องมือไฟฟ้าในขณะที่คุณกำลังเหนื่อยหรือได้รับอิทธิพลจากยา แอลกอฮอล์ หรือการรักษาบางอย่าง การขาดความระมัดระวังในการใช้เครื่องมือไฟฟ้าแม้ชั่วขณะหนึ่งอาจทำให้บาดเจ็บสาหัสได้
- ใช้อุปกรณ์คุ้มครองความปลอดภัยส่วนบุคคลสวมอุปกรณ์ป้องกันดวงตาเสมอ อุปกรณ์ป้องกัน หน้ากากกันฝุ่น รองเท้านิรภัยกันลื่น หมวกนิรภัย หรืออุปกรณ์ป้องกันเสียงดังที่ใช้ในสภาวะที่เหมาะสม จะช่วยลดอาการบาดเจ็บทางร่างกาย
- มือกั้นเครื่องเปิดทำงานโดยไม่ได้ตั้งใจ สวิตช์ต้องอยู่ในตำแหน่งปิดก่อนที่จะเสียบปลั๊กเข้ากับแหล่งจ่ายไฟ และ/หรือ ชุดแบตเตอรี่ หรือก่อนจะยกหรือหัวเครื่องมือ การยกเครื่องมือไฟฟ้าในขณะที่นิ้วอยู่ที่สวิตช์ หรือใช้เครื่องมือไฟฟ้าที่สวิตช์เปิดอยู่ อาจทำให้เกิดอุบัติเหตุได้
- ถอดกุญแจปรับตั้งหรือประแจออกก่อนเปิดสวิตช์ เครื่องมือไฟฟ้า ประแจหรือกุญแจที่เสียบค้างอยู่ในชิ้นส่วนที่หมุนได้ของเครื่องมือไฟฟ้าอาจทำให้ได้รับบาดเจ็บได้
- ห้ามยืนเขย่งเท้าขณะใช้เครื่อง ควรยืนในท่าที่เหมาะสมและสมดุลตลอดเวลา เพื่อช่วยในการควบคุมเครื่องมือไฟฟ้าได้ดียิ่งขึ้นในสถานการณ์ที่ไม่คาดคิด
- แต่งกายให้เหมาะสม ห้ามสวมเสื้อผ้าหลวมหรือใส่เครื่องประดับ รวบผมและเสื้อผ้าให้ห่างจากชิ้นส่วนที่กำลังหมุน เสื้อผ้าที่หลวมหรือยาร่วมร่วมเครื่องประดับ หรือผมที่ยาวอาจเข้าไปพันกับชิ้นส่วนที่กำลังหมุน
- หากมีอุปกรณ์สำหรับดูดและเก็บฝุ่น ต้องตรวจให้แน่ใจว่าได้เชื่อมต่อและใช้งานอุปกรณ์นั้นอย่างเหมาะสม การใช้อุปกรณ์เก็บฝุ่นจะช่วยลดอันตรายที่เกี่ยวข้องกับฝุ่นได้

h. อย่านำความเคยชินจากการใช้งานทำให้คุณประมาทและละเลยการปฏิบัติตามหลักการเพื่อความปลอดภัย การใช้งานโดยไม่ระวังอาจทำให้เกิดการบาดเจ็บสาหัสได้ภายในเวลาเพียงเสี้ยววินาที

4. การใช้งานและการดูแลรักษาเครื่องมือไฟฟ้า

- ห้ามฝืนใช้เครื่องมือไฟฟ้า เลือกใช้เครื่องมือไฟฟ้าที่ถูกต้องตรงกับลักษณะการใช้งานของคุณ เครื่องมือไฟฟ้าที่ถูกต้องย่อมทำงานได้ดีกว่าและปลอดภัยกว่า เมื่อใช้งานตามพิกัดที่เครื่องมือได้รับการออกแบบมา
- ห้ามใช้เครื่องมือไฟฟ้าถ้าสวิตช์เปิดปิดเครื่องไม่ทำงาน เครื่องมือไฟฟ้าที่ไม่สามารถควบคุมผ่านสวิตช์ได้ ถือว่ามีอันตรายและต้องส่งซ่อม
- ถอดปลั๊กของเครื่องมือไฟฟ้าออกจากรูปลั๊กไฟ และ/หรือหากถอดแบตเตอรี่ได้ ให้ถอดแบตเตอรี่ออกก่อนทำการปรับแต่ง เปลี่ยนอุปกรณ์เสริม หรือจัดเก็บเครื่องมือไฟฟ้า มาตรการเพื่อความปลอดภัยเชิงการป้องกันจะช่วยลดความเสี่ยงในการเปิดเครื่องไฟฟ้าให้ทำงานโดยไม่ตั้งใจ
- เก็บเครื่องมือไฟฟ้าที่ไม่ได้ใช้งานไว้ในห้พ้นมือเด็ก และไม่อนุญาตให้บุคคลที่ไม่คุ้นเคยกับเครื่องมือไฟฟ้าหรือคำแนะนำเหล่านี้เป็นผู้ใช้เครื่องมือไฟฟ้าจะเป็นอันตรายหากอยู่ในมือผู้ใช้ที่ไม่มีความชำนาญ
- บำรุงรักษาเครื่องมือไฟฟ้าและอุปกรณ์เสริมต่างๆ ตรวจสอบว่าชิ้นส่วนที่เคลื่อนที่ได้มีการวางไม่ตรงแนวหรือติดขัดหรือไม่ มีชิ้นส่วนที่แตกหัก และสภาพอื่นใดที่อาจส่งผลกระทบต่อการทำงานของเครื่องมือไฟฟ้าหรือไม่ หากชำรุดเสียหาย ให้นำเครื่องมือไปส่งซ่อมก่อนนำมาใช้ อุบัติเหตุจำนวนมากเกิดจากการดูแลรักษาเครื่องมือไฟฟ้าไม่เพียงพอ
- เครื่องมือตัดต้องคมและสะอาดอยู่เสมอ เครื่องมือตัดที่ได้รับการดูแลรักษาอย่างถูกต้องและมีขอบตัดคม จะมีปัญหาติดขัดน้อย และควบคุมได้ง่ายกว่า
- ใช้เครื่องมือไฟฟ้า อุปกรณ์เสริม และดอกสว่านของเครื่องมือ เป็นต้น ให้ตรงตามข้อปฏิบัติเหล่านี้ โดยพิจารณาถึงสภาพการทำงานและงานที่ทำเป็นสำคัญ การใช้เครื่องมือไฟฟ้าทำงานอื่นนอกเหนือจากที่กำหนดไว้อาจทำให้เกิดอันตรายได้
- ต้องดูแลให้มือจับและพื้นผิวที่จับนั้นแห้ง สะอาด ปราศจากน้ำมันและจาระบี มือจับและผิวสัมผัสที่ลื่นอาจทำให้เกิดการใช้งานที่ไม่ปลอดภัยและทำให้ไม่สามารถควบคุมเครื่องมือในสถานการณ์คับขันได้อย่างถูกต้อง

5. การใช้และการดูแลรักษาแบตเตอรี่

- ชาร์จแบตเตอรี่ด้วยเครื่องชาร์จที่ผู้ผลิตแนะนำเท่านั้น เครื่องชาร์จที่เหมาะสมกับแบตเตอรี่แบบหนึ่งอาจทำให้เกิดไฟไหม้ได้เมื่อนำมาใช้กับแบตเตอรี่อีกแบบหนึ่ง

- ใช้เครื่องมือไฟฟ้าเฉพาะกับก้อนแบตเตอรี่ที่ออกแบบมาเป็นพิเศษเท่านั้น การใช้แบตเตอรี่แบบอื่นอาจทำให้เกิดการบาดเจ็บหรือเกิดไฟไหม้ได้
- เมื่อไม่ได้อีกก่อนแบตเตอรี่ ให้เก็บออกห่างจากรัดถ่วงอื่น ๆ ที่เป็นโลหะ เช่น คลิปหนีบกระดาษ เหรียญ กุญแจ เข็ม สกรูหรือวัตถุขนาดเล็กอื่น ๆ ที่ทำจากโลหะที่อาจทำให้เกิดการเชื่อมต้อจากขั้วหนึ่งไปอีกขั้วหนึ่ง การลัดวงจรบริเวณขั้วแบตเตอรี่อาจทำให้เกิดรอยไหม้หรือไฟไหม้ได้
- เมื่ออยู่ภายใต้สภาวะที่ไม่เหมาะสม อาจมีของเหลวไหลออกมาจากแบตเตอรี่ ให้หลีกเลี่ยงการสัมผัสกับของเหลวนี้ หากบังเอิญสัมผัสโดยบังเอิญ ให้ล้างออกด้วยน้ำปริมาณมาก หากของเหลวกระเด็นเข้าตา ควรรีบไปพบแพทย์ ของเหลวที่ออกมาจากแบตเตอรี่อาจทำให้เกิดอาการระคายเคืองหรือรอยไหม้ได้
- ห้ามใช้แบตเตอรี่หรือเครื่องมือที่มีการชำรุดเสียหายหรือได้รับการดัดแปลง แบตเตอรี่ที่ชำรุดเสียหายหรือได้รับการดัดแปลงอาจทำให้เกิดเหตุการณ์ที่ไม่คาดคิด เช่น ไฟไหม้ ระเบิด หรือความเสี่ยงอันก่อให้เกิดการบาดเจ็บได้
- อย่าให้แบตเตอรี่หรือเครื่องมือถูกไฟไหม้หรืออยู่ในที่ที่มีอุณหภูมิสูงเกินไป หากแบตเตอรี่ถูกไฟไหม้หรืออยู่ในที่ที่มีอุณหภูมิสูงเกิน 130°C อาจทำให้เกิดการระเบิดได้
- ปฏิบัติตามคำแนะนำการชาร์จทุกขั้นตอนและไม่ชาร์จแบตเตอรี่หรือเครื่องมือในอุณหภูมิที่เกินจากที่กำหนดไว้ในคำแนะนำ การชาร์จที่ไม่ถูกต้องหรือในอุณหภูมิที่นอกเหนือจากที่กำหนดไว้ อาจทำให้แบตเตอรี่เสียหายและเสี่ยงต่อการเกิดไฟไหม้ได้

6. การบริการ

- ให้ช่างซ่อมที่มีความเชี่ยวชาญเป็นผู้ซ่อมเครื่องมือไฟฟ้า และใช้อะไหล่ของแท้เท่านั้น ซึ่งจะช่วยให้มั่นใจได้ว่าเครื่องมือไฟฟ้ายังมีความปลอดภัยอยู่เสมอ
- ห้ามซ่อมแบตเตอรี่ที่ชำรุด ควรให้ผู้ผลิตหรือผู้บริการที่ผ่านการรับรองเป็นผู้ซ่อมแบตเตอรี่เท่านั้น.

คำเตือนเพื่อความปลอดภัยเพิ่มเติมสำหรับเครื่องมือไฟฟ้า

- ใช้ตัวยึดจับชิ้นงานหรือวิธีอื่น ๆ ที่ได้ผลเพื่อยึดและหนีชิ้นงานบนแท่นที่มั่นคง การใช้มือจับหรือใช้ชิ้นงานพังกกับลำตัวจะไม่น่าเชื่อถือและอาจทำให้สูญเสียการควบคุมได้
- ก่อนเจาะผนัง พื้น หรือเพดาน ให้ตรวจตำแหน่งสายไฟและท่อน้ำ
- วัตถุประสงคในการใช้งานได้อธิบายไว้ในคู่มือแนะนำการใช้งานฉบับนี้
- การใช้งานอุปกรณ์เสริมหรืออุปกรณ์ต่อพ่วง หรือการใช้งานอื่นใดกับเครื่องมือนี้ นอกเหนือจากที่ได้แนะนำไว้ในคู่มือการใช้งานนี้ อาจทำให้เสี่ยง

ต่อกรบาดเจ็บ และ/หรือความเสียหายของทรัพย์สินได้

1) ข้อปฏิบัติเพื่อความปลอดภัยสำหรับการใช้งานทุกประเภท

- a. ยึดเครื่องมืออย่างเหมาะสมก่อนที่จะใช้งาน เครื่องมือนี้จะก่อให้เกิดแรงบิดจากอกสูง หากไม่มีกรยึดเครื่องมืออย่างเหมาะสมในขณะที่ใช้งาน อาจเกิดการสูญเสียการควบคุมจนก่อให้เกิดการบาดเจ็บส่วนบุคคลได้
- b. จับเครื่องมือไฟฟ้าตรงพื้นผิวส่วนที่จับซึ่งมีฉนวนป้องกันเท่านั้นเมื่อต้องใช้งานเครื่องในบริเวณที่อุปกรณ์เสริมสำหรับการตัด ซึ่งอาจสัมผัสถูกสายไฟที่ซ่อนอยู่ได้ อุปกรณ์เสริมสำหรับงานตัดที่สัมผัสถูกสายไฟ "ที่มีไฟฟ้า" อาจทำให้ส่วนที่เป็นโลหะของเครื่องที่ถูกสัมผัส "มีไฟฟ้า" และทำให้ผู้ใช้เครื่องถูกไฟฟ้าช็อตได้

2) คำแนะนำเพื่อความปลอดภัยเมื่อใช้ดอกสว่านแบบยาว

- a. ห้ามใช้งานที่ความเร็วสูงกว่าความเร็วสูงสุดที่กำหนดของดอกสว่านอย่างเด็ดขาด เมื่อความเร็วสูงขึ้น ดอกกัดอาจจะบิดงอได้ง่ายหากปล่อยให้หมุนอย่างเป็นอิสระโดยไม่สัมผัสกับชิ้นงานจนก่อให้เกิดการบาดเจ็บส่วนบุคคลได้
- b. เริ่มต้นทำการเจาะที่ความเร็วต่ำอยู่เสมอโดยให้ปลายของดอกกัดสัมผัสกับชิ้นงาน เมื่อความเร็วสูงขึ้น ดอกกัดอาจจะบิดงอได้ง่ายหากปล่อยให้หมุนอย่างเป็นอิสระโดยไม่สัมผัสกับชิ้นงานจนก่อให้เกิดการบาดเจ็บส่วนบุคคลได้
- c. ใช้แรงดันในแนวตรงกับดอกกัดเท่านั้น และห้ามใช้แรงดันที่มากเกินไป ดอกกัดอาจบิดงอจนทำให้เกิดการแตกหักหรือการสูญเสียการควบคุมจนก่อให้เกิดการบาดเจ็บส่วนบุคคลได้

ความปลอดภัยของบุคคลอื่น

- เครื่องมือนี้ไม่ได้มีไว้เพื่อการใช้งานโดยบุคคล (ซึ่งรวมถึงผู้เยาว์) ที่มีความบกพร่องทางกายภาพ ทางการเรียนรู้ หรือความสามารถทางสมองบกพร่อง หรือบุคคลซึ่งขาดประสบการณ์และความรู้ เว้นเสียแต่ได้รับการควบคุมดูแลหรือคำแนะนำการใช้งานเครื่องมือจากผู้รับผิดชอบความปลอดภัยของบุคคลเหล่านั้น
- เด็กควรได้รับการควบคุมดูแลเพื่อให้แน่ใจว่าจะไม่เล่นเครื่องมือนี้

ความเสี่ยงอื่น ๆ ที่ยังมีอยู่

ความเสี่ยงอื่น ๆ ที่ไม่ได้ระบุในคำเตือนเพื่อความปลอดภัยนี้ อาจเกิดขึ้นได้เมื่อใช้เครื่องมือ ความเสี่ยงเหล่านี้อาจเกิดขึ้นจากการใช้งานอย่างไม่ถูกต้อง การใช้งานเป็นเวลานาน เป็นต้น

แม้ว่าจะปฏิบัติตามข้อกำหนดด้านความปลอดภัยที่เกี่ยวข้องและใช้อุปกรณ์ที่เรียบร้อยแล้ว แต่ก็ไม่สามารถหลีกเลี่ยงความเสี่ยงอื่น ๆ ที่ยังมีอยู่บางอย่างได้

ความเสี่ยงเหล่านี้ได้แก่:

- การบาดเจ็บที่เกิดจากการสัมผัสชิ้นส่วนที่หมุนหรือเคลื่อนที่
- การบาดเจ็บที่เกิดขึ้นขณะเปลี่ยนชิ้นส่วน ใบมีด หรืออุปกรณ์เสริมต่าง ๆ
- การบาดเจ็บที่เกิดจากการใช้เครื่องมือเป็นเวลานาน เมื่อใช้เครื่องมือเป็นระยะเวลาสั้น ต้องแน่ใจว่าคุณได้หยุดพักเป็นระยะ
- ความบกพร่องในการได้ยินเสียง
- อันตรายต่อสุขภาพที่เกิดจากการสูดดมฝุ่นจากการใช้เครื่องมือ (ตัวอย่างเช่น การทำงานกับไม้ โดยเฉพาะไม้โอ๊ค ไม้บีช และไม้ MDF)

สัญลักษณ์บนเครื่องมือ

แผนภูมิรูปภาพพร้อมรหัสสีที่ดังต่อไปนี้จะได้รับการแสดงอยู่บนเครื่องมือ:

	คำเตือน! อย่าจ้องที่หลอดไฟทำงาน		
	คำเตือน! เพื่อลดความเสี่ยงต่อการบาดเจ็บ ผู้ใช้ต้องอ่านคู่มือการใช้งานเล่มนี้ก่อนใช้เครื่อง		
	สวมแว่นตานิรภัยหรือแว่นครอบตา		
	สวมอุปกรณ์ป้องกันเสียงดัง		
	สวมหมวกกันน็อก		
V	โวลต์	===	ไฟกระแสดรง
A	แอมแปร์	n ₀	ความเร็วรอบ
Hz	เฮิร์ตซ์		โครงสร้างคลาส II
W	วัตต์		สายดิน
min	นาที		สัญลักษณ์เตือนความปลอดภัย
	ไฟกระแสสลับ	/min.	รอบการหมุนหรือรอบการทำงานต่อนาที

ข้อปฏิบัติเพื่อความปลอดภัยเพิ่มเติมสำหรับแบตเตอรี่และที่ชาร์จ

แบตเตอรี่

- ห้ามพยายามเปิดไม่ว่าจะด้วยเหตุผลใดก็ตาม
- ห้ามใส่แบตเตอรี่โดนน้ำ
- ห้ามจัดเก็บแบตเตอรี่ไว้ในที่ซึ่งอุณหภูมิอาจสูงเกิน 40°C
- ชาร์จแบตเตอรี่ที่อุณหภูมิโดยรอบระหว่าง 10°C ถึง 40°C เท่านั้น
- ชาร์จโดยใช้เฉพาะที่ชาร์จซึ่งจัดทำมาให้พร้อมเครื่องมือเท่านั้น
- ในการกำจัดแบตเตอรี่ ให้ปฏิบัติตามข้อปฏิบัติซึ่งระบุไว้ในหัวข้อ "การปกป้องสิ่งแวดล้อม"

เครื่องชาร์จ

- ใช้เครื่องชาร์จ STANLEY FATMAX เพื่อชาร์จแบตเตอรี่ภายในเครื่องที่ให้มาพร้อมกันเท่านั้น การชาร์จแบตเตอรี่ชนิดอื่นๆ อาจทำให้แบตเตอรี่ระเบิดและเกิดการบาดเจ็บและความเสียหายได้
- ห้ามชาร์จ แบตเตอรี่ชนิดชาร์จซ้ำไม่ได้
- รีบเปลี่ยนสายที่ชำรุดเสียหายทันที
- อย่าให้เครื่องชาร์จสัมผัสน้ำ
- ห้ามแกะเปิดเครื่องชาร์จ
- ห้ามใช้สิ่งใดหย่อนเข้าไปในตัวเครื่องชาร์จ



ฐานเครื่องชาร์จนี้มีวัสดุประสงค์เพื่อการใช้งานภายในห้องนั้น



อ่านคู่มือการใช้งานก่อนที่จะใช้งานอุปกรณ์



ห้ามพยายามชาร์จแบตเตอรี่ที่ชำรุดเสียหาย

ความปลอดภัยทางไฟฟ้า



ที่ชาร์จของคุณหุ้มฉนวนสองชั้น ดังนั้น จึงไม่จำเป็นต้องมีการเดินสายดิน ต้องตรวจกำลังไฟเพื่อให้ตรงกับแรงดันไฟฟ้าบนแผ่นแสดงพิกัดเสมอ ห้ามเปลี่ยนสายปลั๊กไฟของเครื่องชาร์จเป็นสายปลั๊กไฟธรรมดาโดยเด็ดขาด

- ถ้าสายไฟของตัวเครื่องชำรุดเสียหาย ต้องได้รับการเปลี่ยนโดยผู้ผลิตหรือศูนย์บริการของ STANLEY FATMAX ที่ได้รับอนุญาต เพื่อหลีกเลี่ยงอันตรายที่อาจเกิดขึ้นได้

คำเตือน! ห้ามพยายามเปลี่ยนที่ชาร์จด้วยปลั๊กไฟทั่วไป

ส่วนประกอบสำคัญ

เครื่องมือนี้ประกอบไปด้วยส่วนประกอบทั้งหมดหรือบางส่วนดังต่อไปนี้:

- สวิตช์สั่งงาน
- ปุ่มเดินหน้า/ถอยหลัง
- ปลดกัปรับแรงบิด
- อุปกรณ์เลือกเกียร์ Dual Range

- หัวจับแบบไม่มีจำปา
- แบตเตอรี่
- ไฟส่องสว่าง LED

การใช้งาน

คำเตือน! ปลอยให้เครื่องมือทำงานตามจังหวะของตัวเอง ห้ามโอเวอร์โหลด

การชาร์จแบตเตอรี่ (รูป A)

คุณต้องชาร์จแบตเตอรี่ก่อนที่จะใช้งานครั้งแรกและเมื่อใดก็ตามที่แบตเตอรี่ไม่สามารถให้พลังงานที่เพียงพอแก่การทำงานต่างๆ ที่เคยทำไ้ต่างๆ มาก่อน แบตเตอรี่อาจอุ่นได้ในขณะที่กำลังชาร์จซึ่งถือเป็นเรื่องปกติ และไม่ได้เป็นปัญหาแต่อย่างใด

คำเตือน! ห้ามชาร์จแบตเตอรี่ที่อุณหภูมิโดยรอบต่ำกว่า 10°C หรือสูงกว่า 40°C อุณหภูมิสำหรับการชาร์จที่แนะนำ: ประมาณ 24°C

หมายเหตุ: ที่ชาร์จจะไม่ชาร์จแบตเตอรี่หากอุณหภูมิของแบตเตอรี่ต่ำกว่า ประมาณ 10°C หรือสูงกว่า 40°C คุณควรทิ้งแบตเตอรี่ไว้ในที่ชาร์จ และที่ชาร์จจะเริ่มชาร์จโดยอัตโนมัติเมื่ออุณหภูมิของแบตเตอรี่สูงขึ้นหรือเย็นตัวลง

หมายเหตุ: เพื่อให้แน่ใจได้ถึงประสิทธิภาพและอายุการใช้งานสูงสุดของชุดแบตเตอรี่ลิเทียมไอออน คุณต้องชาร์จแบตเตอรี่ให้เต็มก่อนที่จะใช้งานครั้งแรก

- เสียบที่ชาร์จ (8) เข้าไปในตัวรับที่เหมาะสมก่อนที่จะใส่ชุดแบตเตอรี่ (6)
- ไฟชาร์จสีเขียว (8a) จะกะพริบต่อเนื่องแสดงว่ากระบวนการชาร์จได้เริ่มต้นขึ้นแล้ว
- การชาร์จเต็มแล้วจะได้รับการบ่งชี้โดยไฟชาร์จสีเขียว (8a) ที่ยังคงสว่างอย่างต่อเนื่อง ชุดแบตเตอรี่ (6) ได้รับการชาร์จเต็มแล้ว คุณสามารถถอดแบตเตอรี่ออกและใช้งานเลย หรือทิ้งแบตเตอรี่ไว้ในที่ชาร์จ (8) ต่อ
- ชาร์จแบตเตอรี่ที่หมดแล้วภายใน 1 สัปดาห์ อายุการใช้งานของแบตเตอรี่จะลดลงเป็นอย่างมากหากเก็บแบตเตอรี่ไว้ทั้งที่แบตเตอรี่หมด

โหมดไฟ LED ของที่ชาร์จ

สัญลักษณ์สำหรับเครื่องชาร์จทุกรุ่น ยกเว้นรุ่น SC120

กำลังชาร์จ	— — — — —	
ชาร์จเต็มแล้ว	—————	
ชะลอการชาร์จ แบตเตอรี่ร้อน/เย็นเกินไป	— — — — — —	

สัญลักษณ์สำหรับเครื่องชาร์จรุ่น SC120 เท่านั้น

กำลังชาร์จ	— — — — —	
ชาร์จเต็มแล้ว	—————	
ชะลอการชาร์จ แบตเตอรี่ร้อน/เย็นเกินไป	— — — — — —	

หมายเหตุ: ที่ชาร์จที่สามารถเข้ากันได้จะไม่ชาร์จชุดแบตเตอรี่ที่ชาร์จ ที่ชาร์จจะระบุชุดแบตเตอรี่ที่ชาร์จโดยจะไม่มีไฟสว่าง

หมายเหตุ: สิ่งนี้จะหมายความว่ามีปัญหาเกี่ยวกับที่ชาร์จ หากที่ชาร์จแสดงถึงปัญหา ให้คุณนำที่ชาร์จและชุดแบตเตอรี่ของคุณไปทำการทดสอบที่ศูนย์บริการที่ได้รับ การอนุญาต

การทิ้งแบตเตอรี่ไว้ในที่ชาร์จ

คุณสามารถทิ้งที่ชาร์จและชุดแบตเตอรี่เอาไว้ได้โดยที่ไฟ LED จะสว่างอย่างต่อเนื่อง ที่ชาร์จจะคงสภาพของชุดแบตเตอรี่ และจะชาร์จชุดแบตเตอรี่จนเต็ม

ความล่าช้าที่เกิดจากชุดแบตเตอรี่ที่ร้อน/เย็น

เมื่อที่ชาร์จตรวจพบว่า แบตเตอรี่ร้อนเกินไปหรือเย็นเกินไป ที่ชาร์จจะเริ่มต้นความล่าช้าที่เกิดจากชุดแบตเตอรี่ที่ร้อนโดยอัตโนมัติ ไฟ LED สีเขียว (8a) จะสว่างเป็นช่วงๆ ในขณะที่ไฟ LED สีแดง (8b) จะยังคงสว่างอย่างต่อเนื่อง การชาร์จจะหยุดลงชั่วคราวจนกระทั่งแบตเตอรี่มีอุณหภูมิที่เหมาะสม จากนั้นที่ชาร์จจะเปลี่ยนไปเป็นโหมดการชาร์จชุดแบตเตอรี่โดยอัตโนมัติ คุณลักษณะนี้จะช่วยให้อายุการใช้งานสูงสุดของชุดแบตเตอรี่

ไฟแสดงสถานะการชาร์จแบตเตอรี่ (รูป B)

แบตเตอรี่จะมีไฟแสดงสถานะการชาร์จเพื่อให้สามารถระบุอายุการใช้งานของแบตเตอรี่ได้อย่างรวดเร็วตามที่แสดงในรูป B เมื่อกดปุ่มสถานะการชาร์จ (6a) คุณสามารถดูการชาร์จที่เหลืออยู่ของชุดแบตเตอรี่ได้อย่างง่ายดายตามที่แสดงในรูป B

การยึดติดกับผนัง

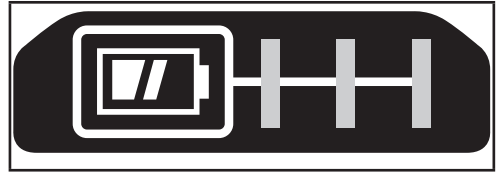
เครื่องชาร์จ STANLEY FATMAX บางรุ่นออกแบบมาให้สามารถติดผนัง หรือวางบนโต๊ะหรือบนพื้นผิวทำงานทั่วไปได้

สำหรับการติดตั้งผนัง ให้ติดตั้งเครื่องชาร์จในระยะเวลาที่สายไฟสามารถเสียบเข้าตัวรับได้ หลีกเลี่ยงบริเวณมุมอับหรือจุดที่มีสิ่งกีดขวางไม่ให้อากาศถ่ายเท

ใช้บริเวณด้านหลังของเครื่องชาร์จเพื่อเป็นแบบในการติดตั้งและยึดสกรู ติดตั้งเครื่องชาร์จด้วยสกรูยาวอย่างน้อย 1 นิ้ว (25.4 มม.) ขนาดหัวสกรู 0.28-0.35 นิ้ว (7-9 มม.) โดยทั้งหัวสกรูให้ยื่นออกจากผนังประมาณ 7/32 นิ้ว (5.5 มม.) ใส่เครื่องชาร์จโดยให้ช่องด้านหลังอยู่แนวเดียวกับหัวสกรู

หมายเหตุ: อย่าวัดติดตั้งเครื่องชาร์จ SC120 บริเวณในโต๊ะหรือมัน้ำนัง

หมายเหตุ: ติดตั้งเครื่องชาร์จ SC120 โดยให้ไฟบอกสถานะการชาร์จชี้ขึ้นไปทีเพดานเท่านั้น



การใส่และการถอดชุดแบตเตอรี่ออกจากเครื่องมือ

คำเตือน! ตรวจสอบให้แน่ใจว่ากดปุ่มล๊อคแล้วเพื่อป้องกันการเริ่มต้นทำงานโดยไม่เจตนาก่อนที่จะทำการถอดหรือการใส่แบตเตอรี่

การใส่ชุดแบตเตอรี่ (รูป C)

- ใส่ชุดแบตเตอรี่เข้าไปในเครื่องมือให้สุดจนกระทั่งได้ยินเสียงดังกริกตามทีแสดงในรูป C ตรวจสอบให้แน่ใจว่า ชุดแบตเตอรี่อยู่กับที่และอยู่ในตำแหน่งอย่างแน่นหนา

การถอดชุดแบตเตอรี่ (รูป D)

- กดปุ่มปล่อยแบตเตอรี่ (6b) ตามทีแสดงในรูป D และดึงชุดแบตเตอรี่ออกจากเครื่องมือ

ตะขอสายรัด (ตัวเลือกพิเศษ) (รูป E, F)

คำเตือน! เพื่อลดความเสี่ยงจากการบาดเจ็บส่วนบุคคลร้ายแรง คุณต้องวางปุ่มการเดินหน้า/การถอยหลังไว้ในตำแหน่งล๊อคหรือปิดเครื่องมือและถอดชุดแบตเตอรี่ออกก่อนที่จะทำการปรับหรือการถอด/การใส่อุปกรณ์ยึดติดหรืออุปกรณ์เสริม การเริ่มต้นทำงานโดยไม่เจตนาอาจก่อให้เกิดการบาดเจ็บได้

คำเตือน! เพื่อลดความเสี่ยงจากการบาดเจ็บส่วนบุคคลร้ายแรง คุณต้องใช้ตะขอสายรัดของเครื่องมือ (9) ในการแขวนสายรัดที่ใช้ในการทำงานของเครื่องมือเท่านั้น ห้ามใช้ตะขอสายรัด (9) ในการผูกหรือยึดเครื่องมือไปยังคนหรือวัตถุในระหว่างการใช้งาน ห้ามแขวนเครื่องมือไว้เหนือศีรษะ หรือแขวนวัตถุต่างๆ โดยใช้ตะขอสายรัด

คำเตือน! เพื่อลดความเสี่ยงจากการบาดเจ็บส่วนบุคคลร้ายแรง คุณต้องตรวจสอบให้แน่ใจว่า สกรู (10) ที่ยึดตะขอสายรัดแน่นและปลอดภัย

หมายเหตุ: เมื่อทำการใส่หรือการเปลี่ยนตะขอสายรัด (9)คุณต้องใช้เฉพาะสกรู (10) ที่ใหม่เท่านั้น ตรวจสอบให้แน่ใจว่า คุณขันสกรูจนแน่น คุณสามารถใส่ตะขอ (9) โดยการเลื่อนเข้าไปในช่อง (11) บนด้านใดด้านหนึ่งของเครื่องมือได้ โดยใช้เฉพาะสกรู (10) ที่ใหม่ เพื่ออำนวยความสะดวกให้แก่ผู้ใช้งานที่ถนัดซ้ายหรือ ถนัดขวา หากไม่ต้องการใช้ตะขอ คุณสามารถถอดตะขอ ออกจากเครื่องมือได้ ในการถอดตะขอ ให้คุณถอดสกรู (10) ที่ยึด ตะขอสายรัด (9) ออก และประกอบใหม่บนด้านตรงกันข้าม ตรวจสอบให้แน่ใจว่า คุณได้ขันสกรู (10) จนแน่น

หมายเหตุ: คุณสามารถใช้ตะขอมันและการปรับแต่งการจัดเก็บต่างๆ ได้ กรุณาไปที่เว็บไซต์ของเราที่ www.stanley.eu/3 สำหรับข้อมูลเพิ่มเติม

หัวจับแบบไม่มีจำปา (รูป G)

คำเตือน! ตรวจสอบให้แน่ใจว่า ได้ถอดชุดแบตเตอรี่ออกแล้วเพื่อป้องกันไม่ให้เครื่องมือทำงานก่อนที่จะใส่หรือถอดอุปกรณ์เสริม

การใส่ดอกสว่านหรืออุปกรณ์เสริมอื่นๆ:

- จับหัวจับ (5) และหมุนหัวจับทวนเข็มนาฬิกาตามที่สามารถเห็นได้จากปลายของหัวจับ
- ใส่ดอกสกัดหรืออุปกรณ์เสริมอื่นๆ (12) เข้าไปในหัวจับให้สุด และขันให้แน่นโดยการหมุนหัวจับตามเข็มนาฬิกาตามที่สามารถเห็นได้จากปลายของหัวจับ

คำเตือน! ห้ามพยายามขันหรือคลายดอกสว่าน (หรืออุปกรณ์เสริมอื่นใดก็ตาม) โดยการจับที่ส่วนหน้าของหัวจับ และเปิดเครื่องมือ

อาจเกิดความเสียหายกับหัวจับและเกิดการบาดเจ็บส่วนบุคคลได้เมื่อทำการเปลี่ยนอุปกรณ์เสริม

สวิตช์สั่งงานและปุ่มเดินหน้า/ถอยหลัง (รูป H)

- ส่วนจะเปิดและปิดเครื่องโดยการดึงและการปล่อยสวิตช์สั่งงาน (1) ซึ่งแสดงในรูป H ยิ่งกดสวิตช์สั่งงานไกลออกไปมากเท่าใด ความเร็วของสว่านก็จะยิ่งสูงขึ้นมากเท่านั้น
- ปุ่มควบคุมการเดินหน้า/การถอยหลัง (2) จะกำหนดทิศทางการหมุนของเครื่องมือ และจะกำหนดให้เป็นปมล็อคไปพร้อมกัน
- หากต้องการเลือกการหมุนแบบเดินหน้า ให้คุณปล่อยสวิตช์สั่งงาน และกดปุ่มควบคุมการเดินหน้า/การถอยหลังบนด้านขวาของเครื่องมือ
- หากต้องการเลือกการหมุนแบบถอยหลัง ให้คุณกดปุ่มควบคุมการเดินหน้า/การถอยหลังบนด้านซ้ายของเครื่องมือ
- ตำแหน่งตรงกลางของปุ่มควบคุมจะล็อคเครื่องมือให้อยู่ในตำแหน่งปิดเครื่อง เมื่อจะเปลี่ยนตำแหน่งของปุ่มควบคุม คุณจะต้องตรวจสอบให้แน่ใจว่า ได้ปล่อยสวิตช์สั่งงานแล้ว

การปรับการควบคุมแรงบิด (รูป I)

เครื่องมือที่มีปลอกปรับแรงบิด (3) สำหรับใช้ในการเลือกโหมดการทำงานและการตั้งค่าแรงบิดสำหรับการขันสกรูสกรูขนาดใหญ่และชิ้นงานที่มีความแข็งจะต้องใช้การตั้งค่าแรงบิดที่สูงกว่าเมื่อเทียบกับสกรูขนาดเล็กและชิ้นงานซึ่งเป็นวัสดุที่ไม่แข็ง

- สำหรับการเจาะไม้ โลหะและพลาสติก คุณจะต้องตั้งค่าปลอก (3) ไปที่สัญลักษณ์ตำแหน่งการเจาะ
- สำหรับการไขควง ให้คุณตั้งค่าปลอกไปที่การตั้งค่าที่

ต้องการ หากคุณไม่ทราบการตั้งค่าที่เหมาะสม คุณจะจะต้องดำเนินการดังต่อไปนี้:

- ตั้งค่าปลอกไปที่การตั้งค่าแรงบิดต่ำสุด
- ขันสกรูตัวแรกให้แน่น
- หากคลัตช์หมุนก่อนที่จะได้ผลลัพธ์ตามที่คุณต้องการ คุณจะต้องเพิ่มการตั้งค่าปลอก และทำการขันสกรูต่อไป
- ทำซ้ำตามขั้นตอนข้างต้นจนกระทั่งคุณได้การตั้งค่าที่ถูกต้อง
- ใช้การตั้งค่านี้กับสกรูตัวที่เหลือ

สวิตช์ Dual Range (รูป J)

คุณลักษณะ Dual Range ของส่วนของคุณจะทำให้คุณสามารถเปลี่ยนเกียร์เพื่อเพิ่มความสามารถในการทำงานให้มากขึ้นได้

- หากต้องการเลือกการตั้งค่าที่ความเร็วต่ำ แรงบิดสูง (ตำแหน่ง 1) คุณจะต้องปิดเครื่องมือ และปล่อยให้เครื่องมือหยุด เลื่อนปุ่มคันโยกเกียร์ (4) ให้ออกไปจากหัวจับ
- หากต้องการเลือกการตั้งค่าที่ความเร็วสูง แรงบิดต่ำ (ตำแหน่ง 2) คุณจะต้องปิดเครื่องมือ และปล่อยให้เครื่องมือหยุด เลื่อนปุ่มคันโยกเกียร์กลับไปหาหัวจับ

หมายเหตุ: ห้ามเปลี่ยนเกียร์ในขณะที่เครื่องมือยังคงทำงานอยู่ หากคุณพบปัญหาในการเปลี่ยนเกียร์ คุณจะต้องตรวจสอบให้แน่ใจว่า ปุ่มเกียร์ Dual Range ได้รับการดันไปข้างหน้าจนสุดหรือได้รับการดันกลับไปยังหลังจนสุดหรือไม่

การไขควง

- สำหรับการใส่อุปกรณ์ยึด คุณจะต้องดันปุ่มเดินหน้า/ถอยหลังไปทางซ้าย
- ใช้การถอยหลัง (ดันปุ่มไปทางขวา) สำหรับการถอดอุปกรณ์ยึด

หมายเหตุ: เมื่อจะเปลี่ยนจากการเดินหน้าไปเป็นการถอยหลังหรือในทางกลับกัน คุณจะต้องปล่อยสวิตช์สั่งงานก่อนทุกครั้ง

การเจาะ

- ใช้เฉพาะดอกสว่านที่คมเท่านั้น
- รองรับและยึดชิ้นงานอย่างเหมาะสมตามที่ระบุไว้ในคำแนะนำเพื่อความปลอดภัย
- ใช้ปลอกความปลอดภัยที่เหมาะสมตามที่กำหนดตามที่ระบุไว้ในคำแนะนำเพื่อความปลอดภัย
- รักษาบริเวณสำหรับการทำงานให้ปลอดภัยตามที่ระบุไว้ในคำแนะนำเพื่อความปลอดภัย
- ทำงานกับส่วนอย่างช้าๆ โดยใช้แรงดันเบา จนกระทั่งรูเริ่มมีขนาดใหญ่มากพอจนดอกกัดไม่หลุดออกมา
- ใช้แรงดันในแนวตรงกับดอกกัด ใช้แรงดันที่มากพอในการคงไว้ซึ่งการกัดของดอกกัด แต่จะต้องไม่ใช่แรง

ต้นที่มากเกินไปจนทำให้มอเตอร์หยุดทำงานกลางคันหรือทำให้ดอกกัดเบี่ยงออก

- ถูสว่านให้แน่นโดยใช้มือทั้งสองข้าง โดยให้มือข้างหนึ่งอยู่บนตามจับในขณะที่มืออีกข้างจับที่ด้านล่างตรงบริเวณของแบตเตอรี่หรือที่ตามจับเสริมหากมีการจัดหามาให้พร้อมเครื่องมือนี้
- ห้ามกดสวิตช์สั่งงานของส่วนที่หยุดทำงานกลางคันเพื่อพยายามทำให้เครื่องมือเริ่มต้นทำงาน อาจทำให้เกิดความเสียหายกับส่วนนี้ได้
- ลดปัญหาการหยุดทำงานกลางคันโดยการลดแรงดันและคอปย์ ทำการเจาะผ่านส่วนสุดท้ายของรู
- ปลดปล่อยมอเตอร์ทำงานต่อไปในขณะที่ตั้งดอกกัดออกจากรูที่เจาะ การทำเช่นนี้จะช่วยลดการติดขัดได้
- ตรวจสอบให้แน่ใจว่า สวิตช์สามารถเปิดและปิดส่วนได้อย่างเหมาะสม

การเจาะไม้

คุณสามารถเจาะรูในไม้ได้โดยการใช้ดอกสว่านแบบร่องเกลียวแบบเดียวกันกับที่ใช้กับโลหะ หรือโดยการใช้ดอกกัดแบบพลาสติก ดอกกัดดังกล่าวจะต้องคม และจะต้องได้รับการดัดออกบ่อยครั้งเมื่อทำการเจาะเพื่อกำจัดเศษออกจากร่อง

การเจาะโลหะ

ใช้น้ำมันตัดกลึงโลหะเมื่อทำการเจาะโลหะ ยกเว้นในกรณีที่เป็นเหล็กกล้าและทองเหลืองซึ่งควรได้รับการเจาะแบบแห้ง น้ำมันตัดกลึงโลหะที่มีประสิทธิภาพสูงสุดคือน้ำมันตัดกลึงโลหะที่มีส่วนผสมของซิลิเฟอรัล

ไฟส่องสว่าง LED

เมื่อเปิดใช้งานส่วนโดยการตั้งสวิตช์สั่งงาน (1) ไฟส่องสว่าง LED แบบในตัว (7) จะทำให้บริเวณที่ทำงานสว่างโดยอัตโนมัติ

หมายเหตุ: ไฟส่องสว่างดังกล่าวมีไว้สำหรับการให้ความสว่างแก่ผิวงานแบบทันที และไม่ได้มีเจตนาเพื่อใช้เป็นไฟฉายแต่อย่างใด

การแก้ปัญหา

ปัญหา	สาเหตุที่เป็นไปได้	วิธีแก้ไขที่เป็นไปได้
เครื่องมือไม่เริ่มต้นทำงาน	ไม่ได้ใส่ชุดแบตเตอรี่อย่างเหมาะสม ไม่ได้ชาร์จชุดแบตเตอรี่	ตรวจสอบการใส่ชุดแบตเตอรี่ ตรวจสอบข้อกำหนดการชาร์จแบตเตอรี่
อุปกรณ์เริ่มต้นทำงานทันทีหลังจากใส่แบตเตอรี่	สวิตช์ถูกทิ้งไว้ในตำแหน่ง "เปิดเครื่อง"	คุณจะต้องขยับสวิตช์ไปที่ตำแหน่ง "ปิดเครื่อง" เพื่อป้องกันไม่ให้เครื่องมือทำงานในทันทีเมื่อใส่แบตเตอรี่

ปัญหา	สาเหตุที่เป็นไปได้	วิธีแก้ไขที่เป็นไปได้
ชุดแบตเตอรี่ไม่ชาร์จ	ไม่ได้ใส่ชุดแบตเตอรี่ลงในที่ชาร์จ ไม่ได้เสียบปลั๊กที่ชาร์จ อุณหภูมิอากาศล้อมรอบร้อนเกินไปหรือเย็นเกินไป ย้ายที่ชาร์จและชุดแบตเตอรี่ไปในที่ซึ่งมีอุณหภูมิอากาศล้อมรอบสูงกว่า 45 °C หรือต่ำกว่า +0.5 °C	ใส่ชุดแบตเตอรี่ลงในที่ชาร์จจนกระทั่งไฟ LED สว่าง เสียบปลั๊กที่ชาร์จเข้าไปในเต้ารับ ย้ายที่ชาร์จและชุดแบตเตอรี่ไปในที่ซึ่งมีอุณหภูมิอากาศล้อมรอบสูงกว่า 45 °C หรือต่ำกว่า +0.5 °C
เครื่องปิดในทันที	ชุดแบตเตอรี่ขึ้นถึงขีดจำกัดความร้อนสูงสุด ไม่มีประจุ เพื่อเพิ่มอายุการใช้งานของชุดแบตเตอรี่ ชุดแบตเตอรี่จึงได้รับการออกแบบมาให้ปิดลงทันทีเมื่อประจุที่ชาร์จไว้หมด	ปล่อยให้ชุดแบตเตอรี่เย็นตัวลง วางลงบนที่ชาร์จและปล่อยให้ชาร์จ

การบำรุงรักษา

อุปกรณ์ไร้สาย Stanley FatMax ของคุณได้รับการออกแบบมาสำหรับการใช้งานเป็นเวลานานโดยมีการบำรุงรักษาขั้นต้น การใช้งานที่นำทั้งพละไหวอย่างต่อเนื่องจะขึ้นอยู่กับการดูแลและการทำความสะอาดเครื่องมืออยู่เป็นประจำ

ที่ชาร์จของคุณไม่จำเป็นต้องได้รับการบำรุงรักษาใดนอกไปจากการทำความสะอาดเป็นประจำ

คำเตือน! ก่อนที่จะทำการบำรุงรักษาเครื่องมือ คุณต้องถอดแบตเตอรี่ออกจากเครื่องมือก่อน ถอดปลั๊กที่ชาร์จก่อนที่จะทำความสะอาดที่ชาร์จ

- ทำความสะอาดช่องระบายในอุปกรณ์/ที่ชาร์จของคุณอย่างสม่ำเสมอโดยใช้แปรงขนนุ่มหรือผ้าแห้ง
- ทำความสะอาดตัวเรือนมอเตอร์อย่างสม่ำเสมอโดยใช้ผ้าหมาด
- ห้ามใช้สารทำความสะอาดที่เป็นสารทำลายหรือออกฤทธิ์กัดกร่อน

การคุ้มครองสิ่งแวดล้อม



ทั้งแยกต่างหาก ห้ามนำมาผลิตภัณ์และแบตเตอรี่ที่มีสัญลักษณ์นี้ไปทิ้งรวมกับของเสียในบ้านตามปกติ

ผลิตภัณ์และแบตเตอรี่มีวัสดุที่สามารถนำมาใช้ใหม่ได้ หรือนำมารีไซเคิลได้เพื่อเป็นการลดความต้องการด้านวัตถุดิบ โปรดรีไซเคิลผลิตภัณ์ไฟฟ้าและแบตเตอรี่ตามข้อบังคับในท้องถิ่น โปรดดูข้อมูลเพิ่มเติมที่ www.2helpU.com

ข้อมูลด้านเทคนิค

SBD710		
แรงดันไฟฟ้า	V_{DC}	18V (20V MAX)
ความเร็วรอบสูงสุด	Min^{-1}	0-600 / 0-1900
แรงบิดสูงสุด	Nm	60
ขนาดหัวจับคอกสว่าน	mm	1.5-13
สมรรถนะการเจาะสูงสุด		
เหล็ก/ไม้/อิฐ	mm	13/30
น้ำหนัก	kg	1.2 (without battery)

สายชาร์จ		SC125	SC200	SC400 SC401	SC120
แรงดันไฟฟ้าเข้า	V_{AC}	220-240	220-240	220-240	220-240
แรงดันไฟฟ้าออก	V_{DC}	18V (20V MAX)	18V (20V MAX)	18V (20V MAX)	18V (20V MAX)
กระแสไฟฟ้า	A	1.25	2	4	1.25

แบตเตอรี่		SB201	SB202	SB204	SB206
แรงดันไฟฟ้า	V_{DC}	18V (20V MAX)	18V (20V MAX)	18V (20V MAX)	18V (20V MAX)
ความจุ	Ah	1.5	2.0	4.0	6.0
ประเภท		Li-Ion	Li-Ion	Li-Ion	Li-Ion

ข้อมูลเกี่ยวกับบริการ

STANLEY FATMAX มีเครือข่ายศูนย์บริการซึ่งเป็นของบริษัทและที่ได้รับการอนุญาตจากบริษัท ศูนย์บริการทุกแห่งของ STANLEY FATMAX มีบุคลากรซึ่งได้รับการฝึกอบรมมาเป็นอย่างดีสำหรับ

ลูกค้าในเรื่องของการให้บริการเครื่องมือไฟฟ้าที่มีประสิทธิภาพและไว้วางใจได้ สำหรับข้อมูลเพิ่มเติมเกี่ยวกับศูนย์บริการที่ได้รับการอนุญาตของเรา และหากต้องการคำแนะนำเชิงเทคนิค การซ่อมแซม หรืออะไหล่ของแท่งจากโรงงาน กรุณาติดต่อศูนย์บริการ the STANLEY FATMAX ที่ใกล้คุณที่สุดหรือไปที่

www.stanleytools.com.

Mục đích sử dụng

Máy khoan, vắn vít dùng pin không chổi than STANLEY FATMAX SBD710 của bạn đã được thiết kế cho các ứng dụng bắt vít và khoan gỗ, kim loại và nhựa. Thiết bị này dành cho người dùng chuyên nghiệp, không chuyên nghiệp và cá nhân.

Hướng dẫn an toàn

Cảnh báo chung về an toàn cho máy điện cầm tay



CẢNH BÁO! Vui lòng đọc kỹ mọi cảnh báo an toàn, hướng dẫn, hình minh họa và thông số kỹ thuật kèm theo dụng cụ điện cầm tay này. Việc không tuân thủ tất cả các hướng dẫn liệt kê bên dưới có thể dẫn đến điện giật, cháy và/hoặc chấn thương nghiêm trọng.

Lưu giữ mọi cảnh báo và hướng dẫn để tham khảo sau này

Thuật ngữ “máy điện cầm tay” trong phần cảnh báo chỉ thiết bị chạy bằng điện nguồn (có dây điện) hoặc thiết bị chạy bằng pin (không có dây điện).

1. An toàn tại nơi làm việc

- Khu vực làm việc phải sạch sẽ và đủ ánh sáng.**
Những khu vực bừa bộn hoặc thiếu ánh sáng dễ gây tai nạn.
- Không vận hành máy điện cầm tay trong các môi trường dễ cháy nổ, như các môi trường có chất lỏng, khí hoặc bụi dễ cháy.** Máy điện cầm tay tạo ra các tia lửa điện có thể gây cháy bụi hoặc bốc khói.
- Không cho trẻ em và những người quan sát lại gần khi đang vận hành máy điện cầm tay.** Những lúc xao lãng có thể khiến bạn mất kiểm soát.

2. An toàn điện

- Phích cắm của máy điện cầm tay phải vừa với ổ cắm.** Không được sửa đổi phích cắm dưới bất kỳ hình thức nào. Không sử dụng các loại phích cắm nối cho máy điện cầm tay có nối đất. Phích cắm nguyên trạng và ổ cắm phù hợp sẽ giúp giảm nguy cơ bị điện giật.
- Tránh tiếp xúc với các bề mặt được nối đất như đường ống, lò sưởi, bếp nướng và tủ lạnh.** Nguy cơ bị điện giật sẽ cao hơn nếu cơ thể bạn nối đất.
- Không để các máy điện cầm tay ngoài trời mưa hoặc ở nơi ẩm ướt.** Nước vào trong máy điện cầm tay sẽ làm tăng nguy cơ bị điện giật.
- Không dùng dây điện cho các mục đích khác.** Tuyệt đối không sử dụng dây điện để mang, kéo hoặc rút phích cắm máy điện cầm tay. Để dây điện cách xa nguồn nhiệt, dầu mỡ, các cạnh sắc hoặc các bộ phận chuyển động. Dây điện bị hỏng hoặc bị vướng sẽ làm tăng nguy cơ bị điện giật.

- Khi vận hành máy điện cầm tay ngoài trời, hãy sử dụng dây nối dài phù hợp để sử dụng ngoài trời.** Sử dụng dây điện phù hợp để sử dụng ngoài trời sẽ giúp giảm nguy cơ bị điện giật.
- Nếu bắt buộc phải vận hành máy điện cầm tay ở nơi ẩm ướt, hãy sử dụng nguồn điện được bảo vệ bởi thiết bị ngắt mạch tự động (RCD).** Sử dụng RCD giúp giảm nguy cơ bị điện giật.

3. An toàn cá nhân

- Hãy tập trung, chú ý vào những gì bạn đang làm và tỉnh táo khi vận hành máy điện cầm tay.** Không sử dụng máy điện cầm tay khi bạn đang mệt hoặc chịu ảnh hưởng của rượu bia, ma túy hoặc chất kích thích. Chỉ một khoảnh khắc mất tập trung trong khi vận hành máy điện cầm tay cũng có thể dẫn đến chấn thương cá nhân nghiêm trọng.
- Sử dụng thiết bị bảo hộ cá nhân.** Luôn đeo kính bảo hộ. Thiết bị bảo hộ như mặt nạ chống bụi, giày chống trượt, mũ cứng hoặc thiết bị bảo vệ tai, được sử dụng ở những điều kiện phù hợp, sẽ giúp giảm các chấn thương cá nhân.
- Tránh vô tình bật máy.** Đảm bảo rằng công tắc ở vị trí tắt trước khi nối với nguồn điện và/hoặc pin, khi cầm hoặc mang máy. Việc cầm máy điện cầm tay khi ngón tay đặt vào công tắc hoặc sạc pin cho máy điện cầm tay khi công tắc đang bật có thể gây tai nạn.
- Hãy tháo hết khóa điều chỉnh hoặc cờ lê trước khi bật máy điện cầm tay.** Cờ lê hoặc khóa vẫn để ở bộ phận quay của máy điện cầm tay có thể dẫn đến chấn thương cá nhân.
- Không được với tay.** Hãy đứng ở tư thế thích hợp và luôn giữ thăng bằng. Điều đó giúp kiểm soát máy điện cầm tay tốt hơn trong các tình huống bất ngờ.
- Mặc quần áo phù hợp.** Không mặc quần áo rộng hoặc đeo đồ trang sức. Giữ cho tóc và quần áo tránh xa các bộ phận di động. Quần áo rộng, đồ trang sức hoặc tóc dài có thể bị mắc vào các bộ phận di động.
- Nếu các thiết bị được cung cấp để nối các phương tiện hút và gom bụi, hãy đảm bảo những thiết bị này được nối và sử dụng đúng cách.** Sử dụng thiết bị gom bụi có thể giảm các nguy cơ liên quan đến bụi.
- Không nên tự mãn vì đã dùng thành thạo máy mà bỏ qua các nguyên tắc an toàn của máy.** Một hành động bất cẩn cũng có thể gây ra thương tích nghiêm trọng trong tích tắc.

4. Sử dụng và bảo quản máy điện cầm tay

- Sử dụng máy điện cầm tay phù hợp.** Sử dụng máy điện cầm tay phù hợp với mục đích của bạn. Máy phù hợp sẽ giúp bạn làm việc hiệu quả và an toàn hơn theo đúng tốc độ được thiết kế.

- b. **Không sử dụng máy điện cầm tay nếu công tắc không bật và tắt được.** Những máy điện cầm tay không điều khiển được bằng công tắc đều rất nguy hiểm và cần phải được sửa chữa.
- c. **Rút phích cắm khỏi nguồn điện và/hoặc tháo pin ra nếu có thể tháo rời khỏi máy điện cầm tay, trước khi thực hiện các điều chỉnh, thay đổi phụ kiện hoặc cất giữ máy điện cầm tay.** Các biện pháp an toàn phòng ngừa đó giúp giảm nguy cơ khởi động máy điện cầm tay một cách tình cờ.
- d. **Bảo quản các máy điện cầm tay không sử dụng xa tầm tay trẻ em và không cho phép những người không quen với máy điện cầm tay hoặc những hướng dẫn này vận hành máy điện cầm tay.** Máy điện cầm tay sẽ rất nguy hiểm khi được sử dụng bởi những người chưa được huấn luyện.
- e. **Bảo trì các phụ kiện và máy điện cầm tay. Kiểm tra các bộ phận chuyển động xem có bị lắp lệch hoặc kẹt không, các bộ phận có bị vỡ không và bất kỳ tình trạng nào khác có thể ảnh hưởng đến việc vận hành máy điện cầm tay. Nếu máy điện cầm tay bị hỏng, hãy sửa chữa trước khi sử dụng.** Rất nhiều tai nạn xảy ra do công tác bảo trì các máy điện cầm tay kém.
- f. **Đảm bảo các thiết bị cất luôn sắc và sạch sẽ.** Các dụng cụ cất được bảo trì đúng cách với các cạnh cắt sắc sẽ ít bị kẹt hơn và dễ điều khiển hơn.
- g. **Sử dụng máy điện cầm tay, các phụ kiện và mũi khoan, v.v., theo hướng dẫn này, chú ý đến các điều kiện làm việc và công việc cần thực hiện.** Sử dụng máy điện cầm tay sai mục đích có thể gây nguy hiểm.
- h. **Giữ các tay cầm và bề mặt cầm nắm luôn khô ráo, sạch sẽ và không dính dầu mỡ.** Các tay cầm và bề mặt cầm nắm trơn trượt không cho phép xử lý và kiểm soát máy an toàn trong những tình huống bất ngờ.

5. Sử dụng và bảo quản máy chạy bằng pin

- a. **Chỉ sạc lại pin bằng bộ sạc do nhà sản xuất quy định. Bộ sạc chỉ thích hợp cho một loại pin.** Nếu sử dụng với loại pin khác, có thể tạo nguy cơ hỏa hoạn.
- b. **Chỉ sử dụng máy điện cầm tay với các loại pin được chỉ định cụ thể.** Sử dụng loại pin khác có thể tạo nguy cơ bị chấn thương và hỏa hoạn.
- c. **Khi không sử dụng pin, để pin tránh xa các vật dụng kim loại như kẹp giấy, tiền đồng, chìa khóa, đinh, vít, hay các vật dụng kim loại nhỏ khác có thể tạo kết nối từ cực này sang cực khác.** Khi các cực của pin tiếp xúc với nhau có thể gây bỏng hoặc hỏa hoạn.
- d. **Nếu lạm dụng pin, dung dịch có thể chảy ra từ pin; tránh tiếp xúc. Nếu vô tình tiếp xúc, hãy rửa bằng nước. Nếu chất lỏng dính vào mắt, hãy điều trị y tế ngay.** Chất lỏng chảy ra từ pin có thể gây kích ứng hoặc bỏng da.
- e. **Không sử dụng pin hoặc máy khi bị hỏng hoặc đã bị chỉnh sửa.** Pin hỏng hoặc đã bị chỉnh sửa có thể

- gây ra những phản ứng khó lường, dẫn đến cháy nổ hoặc có nguy cơ gây chấn thương.
- f. **Không để pin hoặc máy gần khu vực có lửa hoặc nhiệt độ quá cao.** Tiếp xúc với lửa hoặc nhiệt độ trên 130 °C có thể gây nổ.
- g. **Tuân theo mọi hướng dẫn về sạc pin và không được sạc máy quá phạm vi nhiệt độ được ghi trong hướng dẫn.** Sạc pin không đúng cách hoặc ở các mức nhiệt độ nằm ngoài phạm vi chỉ định có thể làm hỏng pin và tăng nguy cơ hỏa hoạn.

6. Bảo dưỡng

- a. **Hãy để nhân viên bảo dưỡng có chuyên môn tiến hành bảo dưỡng máy điện cầm tay cho bạn và chỉ sử dụng các bộ phận thay thế chính hãng.** Điều này giúp đảm bảo độ an toàn của máy điện cầm tay đó.
- b. **Tuyệt đối không bảo dưỡng pin đã hỏng.** Việc bảo dưỡng pin phải được thực hiện bởi nhà sản xuất hoặc nhà cung cấp dịch vụ bảo dưỡng được ủy quyền

Cảnh báo an toàn công cụ điện bổ sung

- ♦ **Sử dụng kẹp hoặc một cách thực tiễn khác để bảo đảm và đỡ chi tiết gia công đến một nền tảng ổn định.** Giữ chi tiết gia công bằng tay hoặc ngược lại với cơ thể của bạn khiến nó không ổn định và có thể dẫn đến mất kiểm soát.
- ♦ **Trước khi bắt ốc vít vào tường, sàn hoặc trần nhà, hãy kiểm tra vị trí của hệ thống dây điện và đường ống.**
- ♦ **Mục đích sử dụng được mô tả trong hướng dẫn này.**
- ♦ **Việc sử dụng bất kỳ phụ kiện hoặc vật tư đi kèm hoặc phụ kiện của bất kỳ thương hiệu nào với công cụ này ngoài những điều được đề xuất trong hướng dẫn sử dụng này có thể có nguy cơ gây thương tích cá nhân và/hoặc thiệt hại cho tài sản.**

1) Hướng dẫn an toàn cho mọi hoạt động

- a. **Cố định công cụ đúng cách trước khi sử dụng.** Công cụ này tạo ra lực mô-men xoắn đầu ra cao và nếu không được cố định công cụ đúng cách trong quá trình vận hành, có thể xảy ra việc mất kiểm soát dẫn đến thương tích cá nhân.
- b. **Giữ công cụ điện bằng các bề mặt kẹp cách điện, khi thực hiện thao tác trong đó dây buộc có thể tiếp xúc với dây dẫn.** Chốt tiếp xúc với dây "trần" có thể làm cho các bộ phận kim loại tiếp xúc của công cụ điện "trần" và có thể khiến người vận hành bị điện giật.

2) Hướng dẫn an toàn khi sử dụng mũi khoan dài

- a. **Không bao giờ được vận hành ở tốc độ cao hơn tốc độ tối đa của mũi khoan.** Ở tốc độ cao hơn, mũi khoan có khả năng bị uốn cong nếu quay tự do mà

không tiếp xúc với chi tiết gia công, dẫn đến thương tích cho người.

- b. Luôn bắt đầu khoan ở tốc độ thấp và đầu mũi khoan phải tiếp xúc với chi tiết gia công.** Ở tốc độ cao hơn, mũi khoan có khả năng bị uốn cong nếu quay tự do mà không tiếp xúc với chi tiết gia công, dẫn đến thương tích cho người.
- c. Chỉ tạo áp lực theo phương thẳng với mũi khoan và không tạo áp lực quá mức.** Các vết rạch có thể uốn cong gây gãy hoặc mất kiểm soát, dẫn đến thương tích cho người.

An toàn của người khác

- Công cụ này không dành cho những người (kể cả trẻ em) bị suy giảm khả năng thể chất, cảm giác hoặc tinh thần, hoặc thiếu kinh nghiệm và kiến thức, trừ khi họ được người chịu trách nhiệm bảo vệ an toàn.
- Trẻ em cần được giám sát để đảm bảo rằng chúng không chơi cùng với công cụ này.

Các nguy cơ khác

Các nguy cơ khác có thể phát sinh khi sử dụng công cụ này có thể không được đưa vào trong cảnh báo an toàn kèm theo. Các nguy cơ này có thể phát sinh do sử dụng sai mục đích, sử dụng trong khoảng thời gian dài, v.v. Kể cả việc áp dụng các quy tắc an toàn liên quan và sử dụng các thiết bị an toàn cũng không thể tránh được một số nguy cơ khác. Những nguy cơ này bao gồm:

- Chấn thương do đụng vào các bộ phận quay/chuyển động.
- Chấn thương gây ra khi thay đổi các bộ phận, lưỡi dao hoặc phụ kiện.
- Chấn thương do sử dụng kéo dài một công cụ. Khi sử dụng bất kỳ công cụ nào trong thời gian dài, phải đảm bảo thời gian nghỉ thường xuyên.
- Suy giảm thính lực.
- Các mối nguy hiểm tới sức khỏe do hít phải bụi khi sử dụng công cụ của bạn (ví dụ: - làm việc với gỗ, đặc biệt là gỗ sồi, gỗ dẻ và gỗ công nghiệp.)

Nhãn trên công cụ

Các biểu tượng sau cùng với mã ngày được hiển thị trên công cụ:

	CẢNH BÁO! Không nhìn thẳng vào đèn đang bật.
	CẢNH BÁO! Để giảm nguy cơ chấn thương, người dùng phải đọc hướng dẫn trước khi sử dụng.
	Đeo kính bảo hộ.

	Đeo thiết bị bảo vệ tai.		
	Đeo mặt nạ chống bụi.		
V	Vôn		Dòng một chiều
A	Ampe	n_0	Tốc độ định mức
Hz	Hertz		Thiết kế cách điện kép
W	Watt		Dây nối đất
min	phút		Biểu tượng cảnh báo an toàn
	Dòng xoay chiều	/min.	Số vòng quay hoặc Số lần qua lại trong một phút

Hướng dẫn an toàn bổ sung cho pin và bộ sạc

Pin

- Không bao giờ thử tháo ra vì bất kỳ lý do.
- Không để pin tiếp xúc với nước.
- Không lưu trữ ở những nơi có nhiệt độ có thể vượt quá 40 °C.
- Chỉ sạc ở nhiệt độ môi trường từ 10 °C đến 40 °C.
- Chỉ sạc bằng bộ sạc đi kèm với công cụ.
- Khi rút bỏ pin, hãy làm theo các hướng dẫn được đưa ra trong phần "Bảo vệ môi trường".

Bộ sạc

- Chỉ sử dụng bộ sạc STANLEY FATMAX để sạc pin đi kèm với thiết bị/dụng cụ. Các pin khác có thể cháy nổ, gây thương tích cá nhân và hư hỏng.
- Tuyệt đối không cố sạc pin dùng một lần.
- Dây bị lỏng được thay thế ngay lập tức.
- Không để bộ sạc tiếp xúc với nước.
- Không mở bộ sạc ra.
- Không chọc que vào bộ sạc.



Để sạc chỉ được thiết kế để sử dụng trong nhà.



Đọc hướng dẫn sử dụng trước khi sử dụng.



Không cố sạc pin đã bị hỏng.

An toàn điện



Bộ sạc của bạn được bọc cách điện kép; do đó không cần phải nối đất. Luôn kiểm tra xem điện áp nguồn có tương ứng với điện áp trên nhãn thông số định mức của bộ sạc. Tuyệt đối không tìm cách thay bộ sạc bằng phích cắm điện thông thường.

- ◆ Nếu dây điện bị hư hỏng, phải thay thế ngay phụ tùng chính hãng tại Trung Tâm Bảo Hành Ủy Quyền STANLEY FATMAX để tránh tai nạn nguy hiểm.

Cảnh Báo! Đừng cố gắng thay thế bộ sạc bằng phích cắm nguồn thông thường.

Tính năng

Dụng cụ này có một số hoặc tất cả những tính năng sau đây.

1. Công tắc khởi động
2. Nút tiến/lùi
3. Vòng kẹp điều chỉnh mô-men xoắn
4. Bộ chọn bánh răng phạm vi kẹp
5. Mâm cặp không chia
6. Pin
7. Đèn làm việc LED

Sử dụng

Cảnh Báo! Hãy để công cụ hoạt động theo tốc độ của riêng nó. Đừng quá tải.

Sạc pin (Hình A)

Pin cần được sạc trước khi sử dụng lần đầu tiên và bất cứ khi nào nó không tạo ra đủ năng lượng cho các công việc được thực hiện dễ dàng như trước đây. Pin có thể nóng lên khi đang sạc; điều này là bình thường và không phải là một vấn đề.

Cảnh Báo! Không sạc pin ở nhiệt độ môi trường xung quanh dưới 10 °C hoặc trên 40 °C. Nhiệt độ sạc đề xuất: xấp xỉ 24 °C.

Lưu ý: Bộ sạc sẽ không sạc pin nếu nhiệt độ của pin dưới khoảng 10 °C hoặc trên 40 °C.

Nên pin được để trong bộ sạc và bộ sạc sẽ bắt đầu sạc tự động khi nhiệt độ pin ấm lên hoặc nguội đi.

Lưu ý: Để đảm bảo hiệu suất và tuổi thọ tối đa của bộ pin lithium-ion, hãy sạc đầy bộ pin trước khi sử dụng lần đầu.

- Cắm bộ sạc (8) vào ổ cắm thích hợp trước khi lắp bộ pin (6).
- Đèn sạc màu xanh lá (8a) sẽ nhấp nháy liên tục cho biết quá trình sạc đã bắt đầu.
- Việc hoàn tất quá trình sạc sẽ được chỉ báo bằng đèn sạc màu xanh lá (8a) vẫn BẬT liên tục. Bộ pin (6) đã được sạc đầy và có thể được tháo ra và sử dụng tại thời điểm này hoặc để lại trong bộ sạc (8).
- Sạc pin đã xả trong vòng 1 tuần. Tuổi thọ của pin sẽ giảm đi rất nhiều nếu để ở trạng thái xả.

Chế độ đèn LED sạc

Thông báo trạng thái sạc cho tất cả các bộ sạc ngoại trừ SC120

	Đang sạc	--- ---	
	Đã sạc đầy	=====	
	Nhiệt độ nóng/lạnh pin	--- ---	

Trạng thái sạc chỉ dành cho SC120

	Đang sạc	--- ---	
	Đã sạc đầy	=====	
	Nhiệt độ nóng/lạnh pin	--- ---	

Lưu ý: (Các) bộ sạc tương thích sẽ không sạc được bộ pin bị lỗi. Bộ sạc sẽ chỉ ra một bộ pin bị lỗi bằng cách không sáng.

Lưu ý: Điều này cũng có thể là sự cố với bộ sạc. Nếu bộ sạc có vấn đề, hãy mang bộ sạc và pin đi kiểm tra tại trung tâm dịch vụ được ủy quyền.

Đề pin trong bộ sạc

Bộ sạc và bộ pin có thể được kết nối với đèn LED phát sáng vô thời hạn. Bộ sạc sẽ giữ cho bộ pin luôn mới và được sạc đầy.

Độ trễ Bộ nguồn Nóng/Lạnh

Khi bộ sạc phát hiện thấy pin quá nóng hoặc quá lạnh, nó sẽ tự động khởi động Độ trễ Bộ nguồn Nóng/Lạnh, đèn LED màu xanh lá (8a) sẽ nhấp nháy liên tục, trong khi đèn LED màu đỏ (8b) sẽ vẫn sáng liên tục, tạm ngừng sạc cho đến khi pin đã đạt đến nhiệt độ thích hợp. Sau đó, bộ sạc sẽ tự động chuyển sang chế độ sạc bộ nguồn. Tính năng này đảm bảo tuổi thọ pin tối đa.

Trạng thái pin của đèn chỉ báo sạc (Hình B)

Pin bao gồm đèn chỉ báo trạng thái sạc để nhanh chóng xác định mức độ tuổi thọ của pin như trong hình B. Bằng cách nhấn nút trạng thái sạc (6a), bạn có thể dễ dàng xem lượng điện còn lại trong pin như minh họa trong hình B.

Gắn vào tường

Một số bộ sạc STANLEY FATMAX được thiết kế để treo tường, hoặc có thể được đặt trên bàn hoặc trên bề mặt làm việc chung

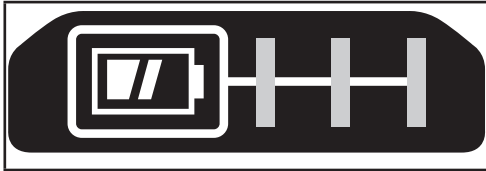
Nếu gắn tường, hãy đặt bộ sạc sao cho có thể cắm dây nguồn vào ổ cắm điện, tránh các góc khuất hoặc các điểm cản trở luồng không khí.

Sử dụng mặt sau của bộ sạc làm chuẩn để gắn và cố định các vít. Lắp bộ sạc bằng các vít dài ít nhất 1 inch (25,4 mm), đầu vít dài 0,28-0,35 inch (7-9 mm), để lại khoảng

7/32 inch của đầu vít nhỏ ra khỏi tường (5,5 mm). Căn chỉnh các khe cắm ở mặt sau của bộ sạc với các phần vít lộ ra ngoài sao cho khớp chặt vào nhau.

LƯU Ý: Không tìm cách gắn bộ sạc SC120 dưới băng ghế hoặc bàn.

LƯU Ý: Chỉ lắp bộ sạc SC120 với đèn sạc hướng lên trần nhà.



Lắp đặt và tháo bộ pin ra khỏi công cụ

Cảnh Báo! Đảm bảo rằng nút khóa tắt đã được đặt để ngăn việc kích hoạt công tắc trước khi tháo hoặc lắp pin.

Lắp bộ pin (hình C)

- Gắn chặt bộ pin vào công cụ cho đến khi nghe thấy tiếng tích như thể hiện trong hình C. Đảm bảo rằng bộ pin được đặt khớp hoàn toàn và được chốt hoàn toàn vào vị trí.

Tháo bộ pin (Hình D)

- Nhấn nút tháo pin (6b) như thể hiện trong hình D và kéo mạnh bộ pin ra khỏi công cụ.

Móc đai (Tùy chọn thêm) (Hình E, F)

Cảnh Báo! Để giảm nguy cơ gây thương tích cá nhân nghiêm trọng, hãy đặt nút tiến/lùi ở vị trí khóa hoặc tắt công cụ và ngắt kết nối bộ pin trước khi thực hiện các điều chỉnh hoặc tháo/lắp các bộ phận hoặc phụ kiện. Việc khởi động không cẩn thận có thể gây ra chấn thương.

Cảnh Báo! Để giảm nguy cơ gây thương tích cá nhân nghiêm trọng, CHỈ sử dụng móc đai của công cụ (9) để treo công cụ khỏi dây đai. KHÔNG sử dụng móc dây đai (9) để buộc hoặc cố định công cụ với người hoặc đồ vật trong khi sử dụng. KHÔNG treo công cụ trên đầu hoặc treo đồ vật từ móc dây đai.

Cảnh Báo! Để giảm nguy cơ gây thương tích cá nhân nghiêm trọng, hãy đảm bảo vít (10) giữ móc dây đai được chắc chắn.

Lưu ý: Khi gắn hoặc thay thế móc dây đai (9), chỉ sử dụng vít (10) được cung cấp. Đảm bảo vặn chặt vít một an toàn.

Móc dây đai (9) có thể được gắn bằng cách trượt vào các rãnh (11) ở hai bên của dụng cụ. Chỉ bằng cách sử dụng vít (10) được cung cấp, để phù hợp với người dùng thuận tay trái hoặc phải. Nếu không muốn cài móc nào cả, có thể tháo chúng ra khỏi công cụ.

Để di chuyển móc dây đai, hãy tháo vít (10) giữ móc dây đai (9) tại chỗ, sau đó lắp lại ở phía đối diện. Đảm bảo vặn chặt vít (10).

Lưu ý: Có nhiều cấu hình lưu trữ và đường móc tường khác nhau.

Vui lòng truy cập trang web của chúng tôi www.stanley.eu/3 để biết thêm thông tin.

Mâm cặp không chìa (Hình G)

Cảnh Báo! Đảm bảo rằng bộ pin đã được tháo để ngăn việc kích hoạt công cụ trước khi lắp đặt hoặc tháo phụ kiện. Để lắp mũi khoan hoặc phụ kiện khác:

- Nắm chắc mâm cặp (5) và xoay nó theo hướng ngược chiều kim đồng hồ, khi nhìn từ đầu mâm cặp.
- Lắp hoàn toàn mũi khoan hoặc phụ kiện khác (12) vào mâm cặp và vặn chặt bằng cách xoay mâm cặp theo chiều kim đồng hồ khi nhìn từ đầu mâm cặp.

Cảnh Báo! Không cố gắng siết chặt hoặc nới lỏng các mũi khoan (hoặc các phụ kiện khác) bằng cách nắm chặt phần trước của mâm cặp và bật công cụ.

Có thể gây ra hư hỏng mâm cặp và gây thương tích cá nhân khi thay đổi phụ kiện.

Công tắc khởi động & nút tiến/lùi (Hình H)

- Máy khoan được BẬT và TẮT bằng cách kéo và thả công tắc khởi động (1) như được thể hiện trong hình H. Khi nhấn nút khởi động càng sâu, tốc độ của máy khoan càng cao.
- Nút điều khiển tiến/lùi (2) xác định hướng quay của công cụ và cũng đóng vai trò như một nút khóa.
- Để chọn xoay tiến, nhấn công tắc nút khởi động và nhấn nút điều khiển tiến/lùi ở phía bên phải của công cụ.
- Để chọn lùi, nhấn nút điều khiển tiến/lùi ở bên trái của công cụ.
- Vị trí trung tâm của nút điều khiển khóa công cụ ở vị trí tắt. Khi thay đổi vị trí của nút điều khiển, hãy đảm bảo rằng nút khởi động được nhả ra.

Điều chỉnh kiểm soát mô-men xoắn (Hình I)

Công cụ này được trang bị một vòng kẹp điều chỉnh lực mô-men xoắn (3) để chọn chế độ vận hành và cài đặt lực mô-men xoắn để siết chặt các vít. Vít lớn và vật liệu gia công cứng yêu cầu cài đặt lực mô-men xoắn cao hơn so với vít nhỏ và vật liệu gia công mềm.

- Để khoan gỗ, kim loại và nhựa, hãy đặt vòng kẹp (3) đến biểu tượng vị trí khoan.
- Để bắt vít, hãy đặt vòng kẹp ở vị trí cài đặt mong muốn. Nếu bạn chưa biết cài đặt thích hợp, hãy tiến hành như sau:
 - Đặt vòng kẹp ở cài đặt lực mô-men xoắn thấp nhất.
 - Vặn chặt vít đầu tiên.

- Nếu bánh cóc ly hợp hoạt động trước khi đạt được kết quả mong muốn, hãy tăng cài đặt vòng kẹp và tiếp tục siết chặt vít.
- Lắp lại cho đến khi bạn có được cài đặt chính xác.
- Sử dụng cài đặt này cho các vít còn lại.

Công tắc phạm vi kép (Hình J)

Tính năng phạm vi kép của máy khoan cho phép bạn sang số để có tính linh hoạt cao hơn.

- Để chọn cài đặt tốc độ thấp, lực mô-men xoắn cao (vị trí 1), hãy tắt công cụ và cho phép dừng. Trượt nút sang số (4) ra khỏi mâm cặp.
- Để chọn tốc độ cao, lực mô-men xoắn thấp (vị trí 2), hãy tắt công cụ và cho phép dừng. Trượt nút sang số trở lại về phía mâm cặp.

Lưu ý: Không thay đổi số khi công cụ đang chạy. Nếu bạn gặp sự cố khi thay đổi số, hãy đảm bảo rằng nút số phạm vi kép được đẩy hoàn toàn về phía trước hoặc hoàn toàn được đẩy về phía sau.

Bắt vít

- Để bắt vít nhanh hơn, hãy gath nút tiến/lùi sang bên trái.
- Sử dụng vận lùi (nút được đẩy sang bên phải) để tháo ốc vít.

Lưu ý: Khi chuyển từ tiến sang lùi hoặc ngược lại, luôn nhả công tắc nút khởi động trước.

Khoan

- Chỉ sử dụng mũi khoan sắc.
- Hỗ trợ và đảm bảo làm việc đúng cách, theo hướng dẫn trong Hướng dẫn An toàn.
- Sử dụng thiết bị an toàn thích hợp và theo yêu cầu, theo hướng dẫn trong Hướng dẫn An toàn.
- Đảm bảo và duy trì khu vực làm việc, theo hướng dẫn trong Hướng dẫn An toàn.
- Chạy máy khoan thật chậm, sử dụng áp lực nhẹ, cho đến khi lỗ bắt đầu đủ để giữ cho mũi khoan không bị trượt ra khỏi lỗ.
- Tạo áp lực theo phương thẳng với mũi khoan. Sử dụng đủ áp lực để giữ cho lưỡi khoan bắt vào nhưng không quá nhiều để làm chết máy hoặc lệch mũi khoan.
- Giữ chặt máy khoan bằng hai tay, một tay cầm trên tay cầm và tay kia nắm chặt đáy xung quanh khu vực pin hoặc tay cầm phụ nếu có.
- **KHÔNG BẮM VÀO NÚT KHỞI ĐỘNG CỦA KHOAN ĐÃ ĐƯỢC CÀI ĐẶT VÀ BẬT TRONG MỘT NỖ LỰC ĐỂ KHỞI ĐỘNG. CÓ THỂ GÂY HƯ HỎNG KHOAN.**
- Giảm thiểu việc kẹt khi xuyên thủng bằng cách giảm áp lực và khoan từ từ qua phần cuối cùng của lỗ.
- Kiềm động cơ chạy trong khi kéo mũi khoan ra khỏi lỗ đã khoan. Điều này sẽ giúp giảm tình trạng bị kẹt.

- Đảm bảo rằng công tắc phải vận bật và tắt máy khoan.

Khoan gỗ

Các lỗ trên gỗ có thể được tạo ra bằng các mũi khoan xoắn tương tự được sử dụng cho kim loại hoặc bằng các mũi thường. Các mũi khoan này phải sắc và phải được kéo ra thường xuyên khi khoan để loại bỏ các phoi khỏi ống sáo.

Khoan kim loại

Sử dụng chất bôi trơn cắt khi khoan kim loại. Các vật liệu ngoại lệ là gang và đồng thau nên được khoan khô. Chất bôi trơn cắt tốt nhất là dầu cắt được sulphur hóa.

Đèn làm việc LED (Hình H)

Khi máy khoan được kích hoạt bằng cách kéo công tắc nút khởi động (1), đèn làm việc LED tích hợp (7) sẽ tự động chiếu sáng khu vực làm việc.

Lưu ý: Đèn làm việc dùng để chiếu sáng bề mặt làm việc ngay lập tức và không được sử dụng làm đèn pin.

Khắc phục

Sự cố	Nguyên nhân có thể	Giải pháp khả thi
Thiết bị sẽ không khởi động	Bộ nguồn pin không được lắp đúng cách. Bộ pin không được sạc.	Kiểm tra lắp đặt bộ nguồn pin. Kiểm tra yêu cầu sạc của bộ pin.
Thiết bị khởi động ngay sau khi lắp pin	Công tắc đã được để ở vị trí "bật".	Công tắc phải được chuyển sang vị trí "tắt" để ngăn công cụ khởi động ngay khi lắp pin vào.
Bộ pin không được sạc.	Pin chưa được cắm vào bộ sạc. Chưa cắm bộ sạc. Nhiệt độ không khí xung quanh quá nóng hoặc quá lạnh.	Cắm bộ nguồn pin vào bộ sạc cho đến khi đèn LED sáng. Cắm bộ sạc vào ổ cắm đang hoạt động. Di chuyển bộ sạc và bộ pin đến nơi có nhiệt độ không khí xung quanh trên 45 °C hoặc dưới +40,5 °C.
Thiết bị tắt đột ngột	Bộ pin đã đạt đến giới hạn nhiệt độ tối đa. Ngừng s. (Để tối đa hóa tuổi thọ, bộ pin được thiết kế để ngắt đột ngột khi hết pin	Để bộ pin nguội. Đặt vào bộ sạc và cho phép sạc.

Bảo trì

Thiết bị/dụng cụ có dây/không dây của Stanley FatMax được thiết kế để hoạt động trong thời gian dài và ít phải bảo trì nhất. Việc vận hành liên tục theo ý muốn tùy thuộc

vào việc bảo quản đúng cách và vệ sinh thường xuyên. Ngoài việc phải vệ sinh thường xuyên, bộ sạc của bạn không cần bảo trì gì thêm.

Cảnh báo! Trước khi thực hiện bất kỳ sự bảo trì công cụ nào, hãy tháo pin ra khỏi công cụ. Rút phích cắm bộ sạc trước khi thực hiện vệ sinh nó.

- Thường xuyên lau chùi các khe thông gió trong thiết bị/bộ sạc bằng chổi mềm hoặc khăn khô.
- Thường xuyên lau chùi vỏ động cơ bằng khăn ẩm.
- Không dùng chất tẩy rửa có chất mài mòn hay có chứa dung môi

Bảo vệ môi trường



Thu gom riêng. Không được vứt bỏ các sản phẩm và pin có ký hiệu này cùng với rác thải sinh hoạt thông thường.

Các sản phẩm và pin chứa vật liệu có thể được thu hồi hoặc tái chế nhằm giảm nhu cầu về vật liệu thô. Vui lòng tái chế sản phẩm điện và pin theo các quy định tại địa phương. Để biết thêm thông tin, hãy truy cập www.2helpU.com

Thông số kỹ thuật

		SBD710
Điện áp	V _{DC}	18V (20V MAX)
Tốc độ không tải	Min ⁻¹	0-600 / 0-1900
Lực mô-men xoắn tối đa	Nm	60
Dung tích mâm cặp	mm	1.5-13
Công suất khoan tối đa		
Thép/gỗ	mm	13/30
Trọng lượng	kg	1.2 (without battery)

Bộ sạc		SC125	SC200	SC400 SC401	SC120
Điện áp đầu vào	V _{AC}	220-240	220-240	220-240	220-240
Điện áp đầu ra	V _{DC}	18V (20V MAX)	18V (20V MAX)	18V (20V MAX)	18V (20V MAX)
Dòng điện	A	1.25	2	4	1.25

Pin		SB201	SB202	SB204	SB206
Điện áp	V _{DC}	18V (20V MAX)	18V (20V MAX)	18V (20V MAX)	18V (20V MAX)
Công suất	Ah	1.5	2.0	4.0	6.0
Loại		Li-Ion	Li-Ion	Li-Ion	Li-Ion

THÔNG TIN DỊCH VỤ

STANLEY FATMAX cung cấp mạng lưới đầy đủ các địa điểm dịch vụ do công ty sở hữu và ủy quyền. Tất cả các Trung tâm Dịch vụ của STANLEY FATMAX đều có đội ngũ nhân viên được đào tạo để cung cấp cho khách hàng dịch vụ công cụ điện hiệu quả và đáng tin cậy. Để biết thêm thông tin về các trung tâm dịch vụ được ủy quyền của chúng tôi và nếu bạn cần tư vấn kỹ thuật, sửa chữa hoặc thay thế các bộ phận chính hãng của nhà máy, hãy liên hệ với địa điểm STANLEY FATMAX gần bạn nhất hoặc ghé thăm chúng tôi tại www.stanleytools.com.

