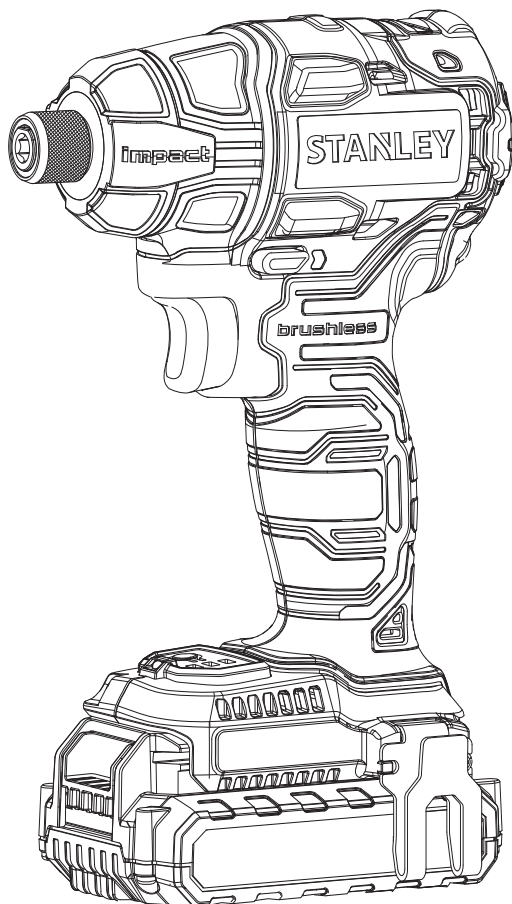
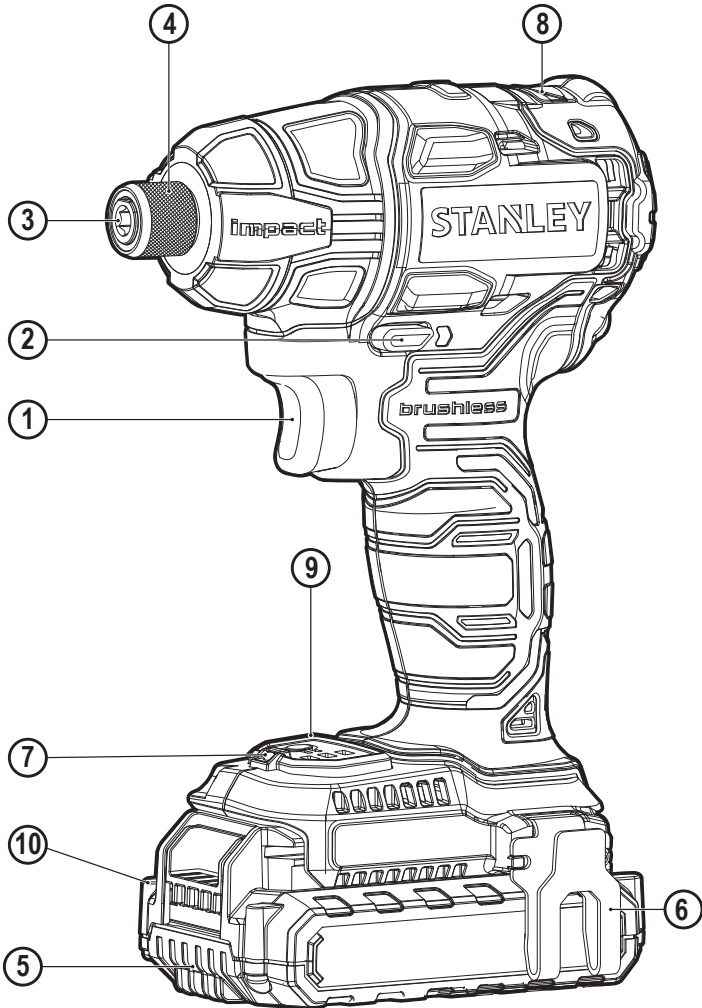


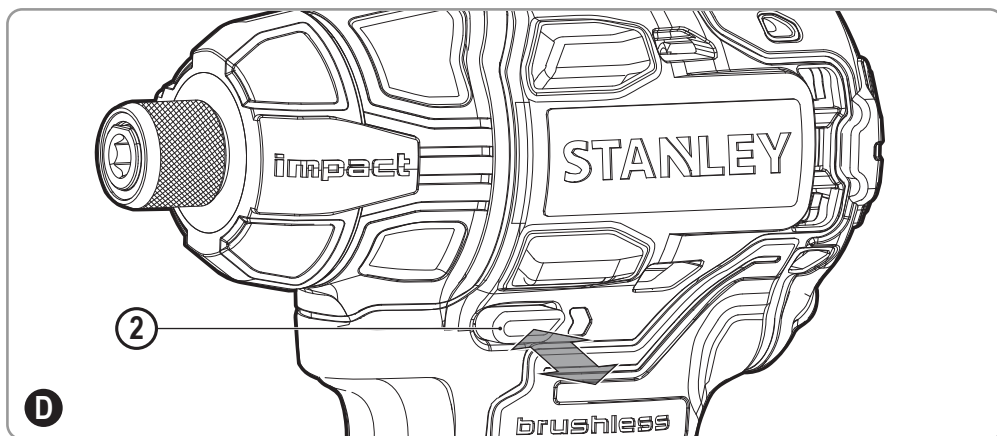
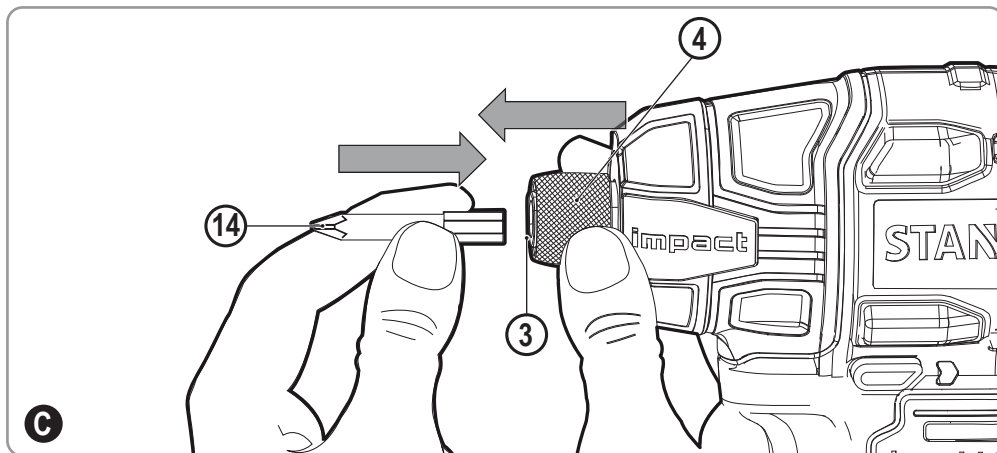
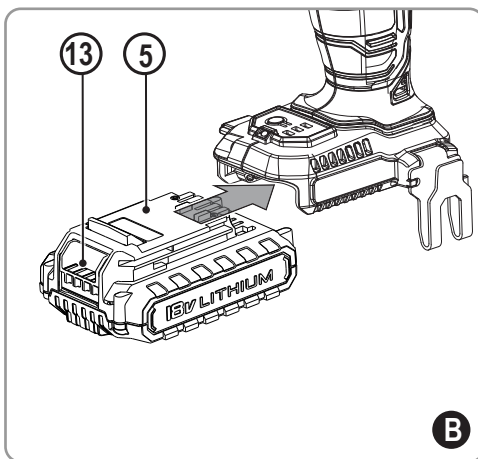
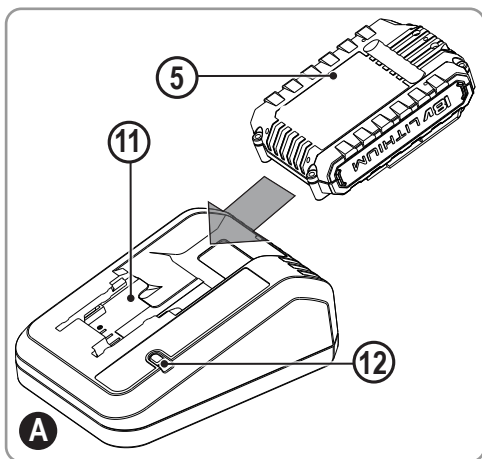
STANLEY



SBI201

ENGLISH	4
简体中文	9
繁體中文	13
한국어	17
BAHASA INDONESIA	23
ภาษาไทย	30
TIẾNG VIỆT	36





Intended use

Your Stanley SBI201 impact driver has been designed for screwdriving and nut setting applications. This tool is intended for professional and private, non professional users.

SAFETY INSTRUCTION

General power tool safety warnings



Warning! Read all safety warnings and all instructions. Failure to follow the warnings and instructions listed below may result in electric shock, fire and/or serious injury.

Save all warnings and instructions for future reference.

The term "power tool" in all of the warnings listed below refers to your mains operated (corded) power tool or battery operated (cordless) power tool.

1. **Work area safety**
 - a. **Keep work area clean and well lit.** Cluttered or dark areas invite accidents.
 - b. **Do not operate power tools in explosive atmospheres, such as in the presence of flammable liquids, gases or dust.** Power tools create sparks which may ignite the dust or fumes.
 - c. **Keep children and bystanders away while operating a power tool.** Distractions can cause you to lose control.
2. **Electrical safety**
 - a. **Power tool plugs must match the outlet. Never modify the plug in any way. Do not use any adapter plugs with earthed (grounded) power tools.** Unmodified plugs and matching outlets will reduce risk of electric shock.
 - b. **Avoid body contact with earthed or grounded surfaces such as pipes, radiators, ranges and refrigerators.** There is an increased risk of electric shock if your body is earthed or grounded.
 - c. **Do not expose power tools to rain or wet conditions.** Water entering a power tool will increase the risk of electric shock.
 - d. **Do not abuse the cord. Never use the cord for carrying, pulling or unplugging the power tool. Keep cord away from heat, oil, sharp edges or moving parts.** Damaged or entangled cords increase the risk of electric shock.
 - e. **When operating a power tool outdoors, use an extension cord suitable for outdoor use.** Use of a cord suitable for outdoor use reduces the risk of electric shock.
 - f. **If operating a power tool in a damp location is unavoidable, use a residual current device (RCD) protected supply.** Use of an RCD reduces the risk of electric shock.
3. **Personal safety**
 - a. **Stay alert, watch what you are doing and use common sense when operating a power tool. Do not use a power tool while you are tired or under the influence of drugs, alcohol or medication.** A moment of inattention while operating power tools may result in serious personal injury.
 - b. **Use personal protective equipment. Always wear eye protection.** Protective equipment such as dust mask, non-skid safety shoes, hard hat, or hearing protection used for appropriate conditions will reduce personal injuries.
 - c. **Prevent unintentional starting. Ensure the switch is in the off-position before connecting to power source and/or battery pack, picking up or carrying the tool.** Carrying power tools with your finger on the switch or energising power tools that have the switch on invites accidents.
 - d. **Remove any adjusting key or wrench before turning the power tool on.** A wrench or a key left attached to a rotating part of the power tool may result in personal injury.
 - e. **Do not overreach. Keep proper footing and balance at all times.** This enables better control of the power tool in unexpected situations.
 - f. **Dress properly. Do not wear loose clothing or jewellery. Keep your hair, clothing and gloves away from moving parts.** Loose clothes, jewellery or long hair can be caught in moving parts.
 - g. **If devices are provided for the connection of dust extraction and collection facilities, ensure these are connected and properly used.** Use of dust collection can reduce dust-related hazards.
4. **Power tool use and care**
 - a. **Do not force the power tool. Use the correct power tool for your application.** The correct power tool will do the job better and safer at the rate for which it was designed.
 - b. **Do not use the power tool if the switch does not turn it on and off.** Any power tool that cannot be controlled with the switch is dangerous and must be repaired.
 - c. **Disconnect the plug from the power source and/or the battery pack from the power tool before making any adjustments, changing accessories, or storing power tools.** Such preventive safety measures reduce the risk of starting the power tool accidentally.
 - d. **Store idle power tools out of the reach of children and do not allow persons unfamiliar with the power tool or these instructions to operate the power tool.** Power tools are dangerous in the hands of untrained users.
 - e. **Maintain power tools. Check for misalignment or binding of moving parts, breakage of parts and any**

other condition that may affect the power tools operation. If damaged, have the power tool repaired before use. Many accidents are caused by poorly maintained power tools.

- f. **Keep cutting tools sharp and clean.** Properly maintained cutting tools with sharp cutting edges are less likely to bind and are easier to control.
 - g. **Use the power tool, accessories and tool bits etc. in accordance with these instructions, taking into account the working conditions and the work to be performed.** Use of the power tool for operations different from those intended could result in a hazardous situation.
5. **Battery tool use and care**
- a. **Recharge only with the charger specified by the manufacturer.** A charger that is suitable for one type of battery pack may create a risk of fire when used with another battery pack.
 - b. **Use power tools only with specifically designated battery packs.** Use of any other battery packs may create a risk of injury and fire.
 - c. **When battery pack is not in use, keep it away from other metal objects, like paper clips, coins, keys, nails, screws, or other small metal objects, that can make a connection from one terminal to another.** Shorting the battery terminals together may cause burns or a fire.
 - d. **Under abusive conditions, liquid may be ejected from the battery; avoid contact. If contact accidentally occurs, flush with water. If liquid contacts eyes, additionally seek medical help.** Liquid ejected from the battery may cause irritation or burns.
6. **Service**
- a. **Have your power tool serviced by a qualified repair person using only identical replacement parts.** This will ensure that the safety of the power tool is maintained.

ADDITIONAL POWER TOOL SAFETY WARNINGS



Warning! Additional safety warnings for drills/screwdrivers

- ◆ **Wear ear protectors when impact drilling.** Exposure to noise can cause hearing loss.
- ◆ **Use auxiliary handles supplied with the tool.** Loss of control can cause personal injury.
- ◆ **Hold power tool by insulated gripping surfaces when performing an operation where the cutting accessory may contact hidden wiring.** Cutting accessory contacting a "live" wire may make exposed metal parts of the power tool "live" and could give

the operator an electric shock.

- ◆ **Hold power tool by insulated gripping surfaces, when performing an operation where the fastener may contact hidden wiring.** Fasteners contacting a "live" wire may make exposed metal parts of the power tool "live" and could give the operator an electric shock.
- ◆ **Use clamps or another practical way to secure and support the workpiece to a stable platform.** Holding the work by hand or against your body leaves it unstable and may lead to loss of control.
- ◆ Before drilling into walls, floors or ceilings, check for the location of wiring and pipes.
- ◆ Avoid touching the tip of a drill bit just after drilling, as it may be hot.
- ◆ The intended use is described in this instruction manual. The use of any accessory or attachment or performance of any operation with this tool other than those recommended in this instruction manual may present a risk of personal injury and/or damage to property.

SAFETY OF OTHERS

- ◆ This tool is not intended for use by persons (including children) with reduced physical, sensory or mental capabilities, or lack of experience and knowledge, unless they have been given supervision or instruction concerning use of the tool by a person responsible for their safety.
- ◆ Children should be supervised to ensure that they do not play with the appliance.

Residual risks

Additional residual risks may arise when using the tool which may not be included in the enclosed safety warnings. These risks can arise from misuse, prolonged use etc.

Even with the application of the relevant safety regulations and the implementation of safety devices, certain residual risks can not be avoided. These include:

- ◆ Injuries caused by touching any rotating/moving parts.
- ◆ Injuries caused when changing any parts, blades or accessories.
- ◆ Injuries caused by prolonged use of a tool. When using any tool for prolonged periods ensure you take regular breaks.
- ◆ Impairment of hearing.
- ◆ Health hazards caused by breathing dust developed when using your tool (example:- working with wood, especially oak, beech and MDF.)

Vibration

The declared vibration emission values stated in the technical data and the declaration of conformity have been measured in accordance with a standard test method provided by EN 60745 and may be used for comparing one tool with another.

The declared vibration emission value may also be used in a preliminary assessment of exposure.

Warning! The vibration emission value during actual use of the power tool can differ from the declared value depending on the ways in which the tool is used. The vibration level may increase above the level stated.

When assessing vibration exposure to determine safety measures required by 2002/44/EC to protect persons regularly using power tools in employment, an estimation of vibration exposure should consider, the actual conditions of use and the way the tool is used, including taking account of all parts of the operating cycle such as the times when the tool is switched off and when it is running idle in addition to the trigger time.

LABELS ON TOOL

The following symbols are shown on the tool along with the date code:



Warning! To reduce the risk of injury, the user must read the instruction manual.

Additional safety instructions for batteries and chargers (Not provided with the tool)

Batteries

- ◆ Never attempt to open for any reason.
- ◆ Do not expose the battery to water.
- ◆ Do not store in locations where the temperature may exceed 40 °C.
- ◆ Charge only at ambient temperatures between 10 °C and 40 °C.
- ◆ Charge only using the charger provided with the tool.
- ◆ When disposing of batteries, follow the instructions given in the section "Protecting the environment".



Do not attempt to charge damaged batteries.

Chargers

- ◆ Use your Stanley charger only to charge the battery in the tool with which it was supplied. Other batteries could burst, causing personal injury and damage.
- ◆ Never attempt to charge non-rechargeable batteries.
- ◆ Have defective cords replaced immediately.
- ◆ Do not expose the charger to water.
- ◆ Do not open the charger.
- ◆ Do not probe the charger.



The charger is intended for indoor use only.



Read the instruction manual before use.

Electrical safety



Your charger is double insulated; therefore no earth wire is required. Always check that the mains voltage corresponds to the voltage on the rating plate. Never attempt to replace the charger unit with a regular mains plug.

- ◆ If the supply cord is damaged, it must be replaced by the manufacturer or an authorised Stanley Service Centre in order to avoid a hazard.

FEATURES

This appliance includes some or all of the following features.

1. Variable speed switch
2. Forward/reverse slider
3. Chuck
4. Chuck collar
5. Battery
6. Belt clip
7. LED Work Light
8. Magnetic bit holder
9. State of charge indicator
10. Bit holder

Fig. A

11. Charger
12. Charging indicator

Assembly

Warning! Before assembly, remove the battery from the tool.

Fitting and removing the battery (fig. B)

- ◆ To fit the battery (5), line it up with the receptacle on the tool. Slide the battery into the receptacle and push until the battery snaps into place.
- ◆ To remove the battery, push the release buttons (13) while at the same time pulling the battery out of the receptacle.

Fitting and removing a screwdriver bit or socket (fig. C)

This tool is fitted with a quick release chuck to allow for an easy exchange of bits.

Warning! Make certain the tool is locked to prevent switch actuation before installing or removing accessories.

- ◆ Lock the tool by setting the forward/reverse slider (2) to the centre position.
- ◆ Pull and hold the chuck collar (4) away from the front of the tool.
- ◆ Insert the bit shaft (14) into the chuck (3).

- ◆ Release the collar. The accessory is locked in place.

Note! To remove the bit/socket repeat the above steps.

Warning! Use only impact sockets. Non-impact sockets may break and cause a hazardous condition. Inspect socket prior to use to ensure that it contains no cracks.

USE

Warning! Let the tool work at its own pace. Do not overload.

Charging the battery (fig. A)

The battery needs to be charged before first use and whenever it fails to produce sufficient power on jobs that were easily done before. The battery may become warm while charging; this is normal and does not indicate a problem.

Warning! Do not charge the battery at ambient temperatures below 10 °C or above 40 °C. Recommended charging temperature: approx. 24 °C.

Note: The charger will not charge a battery if the cell temperature is below approximately 10 °C or above 40 °C.

The battery should be left in the charger and the charger will begin to charge automatically when the cell temperature warms up or cools down.

- ◆ To charge the battery (5), insert it into the charger (11).
The battery will only fit into the charger in one way. Do not force. Be sure that the battery is fully seated in the charger.
- ◆ Plug in the charger and switch on at the mains.

The charging indicator (12) will flash green continuously (slowly).

The charge is complete when the charging indicator (12) lights green continuously. The charger and the battery can be left connected indefinitely with the LED illuminated. The LED will change to flashing green (charging) state as the charger occasionally tops up the battery charge. The charging indicator (12) will be lit as long as the battery is connected to the plugged-in charger.

- ◆ Charge discharged batteries within 1 week. Battery life will be greatly diminished if stored in a discharged state.

Leaving the battery in the charger

The charger and battery pack can be left connected with the LED glowing indefinitely. The charger will keep the battery pack fresh and fully charged.

Warning! Make certain the lock-off button is engaged to prevent switch actuation before removing or installing battery.

Charger diagnostics

If the charger detects a weak or damaged battery, the charging indicator (12) will flash red at a fast rate. Proceed as follows:

- ◆ Re-insert the battery (5).

- ◆ If the charging indicators continues flashing red at a fast rate, use a different battery to determine if the charging process works properly.
- ◆ If the replaced battery charges correctly, the original battery is defective and should be returned to a service centre for recycling.
- ◆ If the new battery gives the same indication as the original battery, take the charger to be tested at an authorised service centre.

Note: It may take as long as 60 minutes to determine that the battery is defective. If the battery is too hot or too cold, the LED will alternately blink red, fast and slow, one flash at each speed and repeat

Selecting the direction of rotation (fig. D)

For tightening, use forward (clockwise) rotation. For loosening, use reverse (counterclockwise) rotation.

- ◆ To select forward rotation, push the forward/reverse slider (2) to the left.
- ◆ To select reverse rotation, push the forward/reverse slider to the right.
- ◆ To lock the tool, set the forward/reverse slider into the centre position.

Screwdriving / nut setting

- ◆ Select the appropriate bit / socket for the screw or nut to be driven.
- ◆ Select forward or reverse rotation as described above.
- ◆ Hold the tool in line with the fastener.
- ◆ After tightening, check torque with a torque wrench.

LED work light

The LED work light (7) is activated automatically when the trigger is depressed. The LED work light will illuminate when the trigger is partially depressed, before the unit begins running.

State of charge indicator

The tool is fitted with a state of charge indicator. This can be used to display the current level of charge in the battery during use.

- ◆ Press the state of charge indicator button (9).

Hints for optimum use

Screwdriving

- ◆ Always use the correct type and size of screwdriver bit.
- ◆ If screws are difficult to tighten, try applying a small amount of washing liquid or soap as a lubricant.
- ◆ Always hold the tool and screwdriver bit in a straight line with the screw.

MAINTENANCE

Your Stanley tool has been designed to operate over a long

period of time with a minimum of maintenance. Continuous satisfactory operation depends upon proper tool care and regular cleaning.

Your charger does not require any maintenance apart from regular cleaning.

Warning! Before performing any maintenance on the tool, remove the battery from the tool. Unplug the charger before cleaning it.

- ◆ Regularly clean the ventilation slots in your tool and charger using a soft brush or dry cloth.
- ◆ Regularly clean the motor housing using a damp cloth. Do not use any abrasive or solvent-based cleaner.
- ◆ Regularly open the chuck and tap it to remove any dust from the interior.

Protecting the environment



Separate collection. Products and batteries marked with this symbol must not be disposed of with normal household waste.

Products and batteries contain materials that can be recovered or recycled reducing the demand for raw materials. Please recycle electrical products and batteries according to local provisions.



Separate collection of used products and packaging allows materials to be recycled and used again. Re-use of recycled materials helps prevent environmental pollution and reduces the demand for raw materials. Some local governments may require the local or municipal waste disposal centers or retailers of new products to provide households with electronic product recycling services.

Notes

STANLEY's policy is one of continuous improvement to our products and as such, we reserve the right to change product specifications without prior notice.

Standard equipment and accessories may vary by country.

Product specifications may differ by country.

Complete product range may not be available in all countries.

Contact your local STANLEY dealers for range availability

TECHNICAL DATA

		SBI201
Voltage	V_{DC}	18V
No-load speed	Min^{-1}	0-2700
Beats	BPM	0-3100
Max. torque (PTI Method)	Nm	180
Chuck capacity	mm	6.35(Hex)
Weight	kg	0.98 (W/O BATTERY)

		SC201	SC202
Input voltage	V_{AC}	230	230
Output voltage	V_{DC}	18	18
Current	mA	1000	2000
Approx. charge time	Mins	80-240	40-120

Battery		SCB20C	SCB20S	SCB20D STBL182	SCB20M STBL184
Voltage	V_{AC}	18	18	18	18
Capacity	Ah	1.3	1.5	2.0	4.0
Type		Li-Ion	Li-Ion	Li-Ion	Li-Ion

Level of sound pressure according to EN 60745:

Sound pressure ($L_{p(A)}$) 97 dB(A), uncertainty (K) 3 dB(A)

Sound power (L_{WA}) 108 dB(A), uncertainty (K) 3 dB(A)

Vibration total values (triax vector sum) according to EN 60745:

Fastening with impact ($a_{h, IS}$) 12.2 m/s^2 , uncertainty (K) 1.5 m/s^2

设计用途

本史丹利 SB1201 冲击起子的设计用途是拧螺丝和螺母。本工具可供专业、私人以及非专业用户使用。

安全指示

电动工具通用安全警告



警告! 阅读所有警告和所有说明。不遵照以下警告和说明会导致电击、着火和/或严重伤害。

保存所有警告和说明书以备查阅。

在所有下列的警告中术语“电动工具”指市电驱动（有线）电动工具或电池驱动（无线）电动工具。

a) 工作场地的安全

- 1) 保持工作场地清洁和明亮。混乱和黑暗的场地会引发事故。
- 2) 不要在易爆环境，如有易燃液体、气体或粉尘的环境下操作电动工具。电动工具产生的火花会点燃粉尘或气体。
- 3) 让儿童和旁观者离开后操作电动工具。注意力不集中会让你失去对工具的控制。

b) 电气安全

- 1) 电动工具插头必须与插座相配。绝不能以任何方式改装插头。需接地的电动工具不能使用任何转换插头。未经改装的插头和相配的插座将减少电击危险。
- 2) 避免人体接触接地表面，如管道、散热片和冰箱。如果你身体接地会增加电击危险。
- 3) 不得将电动工具暴露在雨中或潮湿环境中。水进入电动工具将增加电击危险。
- 4) 不得滥用电线。绝不能用电线搬运、拉动电动工具或拔出其插头。使电线远离热源、油、锐边或运动部件。受损或缠绕的软线会增加电击危险。
- 5) 当在户外使用电动工具时，使用适合户外使用的外接软线。适合户外使用的软线将减少电击危险。
- 6) 如果在潮湿环境下操作电动工具是不可避免的，应使用剩余电流动作保护器（RCD）。使用 RCD 可减小电击危险。

c) 人身安全

- 1) 保持警觉，当操作电动工具时关注所从事的操作并保持清醒。当你感到疲倦，或在有药物、酒精或治疗反应时，不要操作电动工具。在操作电动工具时瞬间的疏忽会导致严重人身伤害。
- 2) 使用个人防护装置。始终佩戴护目镜。安全装置，诸如适当条件下使用防尘面具、防滑安全鞋、安全帽、听力防护等装置能减少人身伤害。
- 3) 防止意外起动。确保开关在连接电源和/或电池盒、拿起或搬运工具时处于关断位置。手指放在已接通电源的开关上或开关处于接通时插入插头可能会导致危险。

- 4) 在电动工具接通之前，拿掉所有调节钥匙或扳手。遗留在电动工具旋转零件上的扳手或钥匙会导致人身伤害。
- 5) 手不要伸展得太长。时刻注意立足点和身体平衡。这样在意外情况下能很好地控制电动工具。
- 6) 着装适当。不要穿宽松衣服或佩戴饰品。让你的衣服、手套和头发远离运动部件。宽松衣服、佩饰或长发可能会卷入运动部件中。
- 7) 如果提供了与排屑、集尘设备连接用的装置，要确保他们连接完好且使用得当。使用这些装置可减少尘屑引起的危险。

d) 电动工具使用和注意事项

- 1) 不要滥用电动工具，根据用途使用适当的电动工具。选用适当设计的电动工具会使你工作更有效、更安全。
- 2) 如果开关不能接通或关断工具电源，则不能使用该电动工具。不能用开关来控制的电动工具是危险的且必须进行修理。
- 3) 在进行任何调节、更换附件或贮存电动工具之前，必须从电源上拔掉插头和/或使电池盒与工具脱离。这种防护性措施将减少工具意外起动的危险。
- 4) 将闲置不用的电动工具贮存在儿童所及范围之外，并且不要让不熟悉电动工具或对这些说明不了解的人操作电动工具。电动工具在未经培训的用户手中是危险的。
- 5) 保养电动工具。检查运动件是否调整到位或卡住，检查零件破损情况和影响电动工具运行的其他状况。如有损坏，电动工具应在使用前修理好。许多事故由维护不良的电动工具引发。
- 6) 保持切削刀具锋利和清洁。保养良好的有锋利切削刃的刀具不易卡住而且容易控制。
- 7) 按照使用说明书，考虑作业条件和进行的作业来使用电动工具、附件和工具的刀头等。将电动工具用于那些与其用途不符的操作可能会导致危险。

e) 电池式工具使用和注意事项：

- 1) 只用制造商规定的充电器充电。将适用于某种电池盒的充电器用到其他电池盒时会发生着火危险。
- 2) 只有在配有专用电池盒的情况下才使用电动工具。使用其他电池盒会发生损坏和着火危险。
- 3) 当电池盒不用时，将它远离其他金属物体，例如回形针、硬币、钥匙、钉子、螺钉或其他小金属物体，以防一端与另一端连接。电池端部短路会引起燃烧或火灾。
- 4) 在滥用条件下，液体会从电池中溅出，避免接触。如果意外碰到了，用水冲洗。如果液体碰到了眼睛，还要寻求医疗帮助。从电池中溅出的液体会发生腐蚀或燃烧。

f) 维修

- 1) 让专业维修人员使用相同的备件维修电动工具。这将保证所维修的电动工具的安全。

电钻专用警告语：

使用冲击电钻时要戴好耳罩。暴露在噪声中会引起听力损伤。

使用随工具提供的辅助手柄。操作失手会引起人身伤害。

在紧固件可能触及暗线或自身软线之处进行操作时，要通过绝缘握持面来握持工具。紧固件碰到带电导线会使工具外露的金属零件带电从而使操作者受到电击。

电动工具附加安全警告



警告！电钻/螺丝起子附加安全警告

- ◆ 使用冲击电钻时请佩戴听力保护器。暴露在噪声中会引起听力损伤。
- ◆ 请使用电钻随附的辅助手柄。操作失手会引起人身伤害。
- ◆ 若钻具在进行操作时可能会接触到隐藏的电线，请握住绝缘手柄表面。
切割附件碰到带电导线会使工具外露的金属零件带电从而使操作者受到电击。
- ◆ 操作过程中紧固件可能接触隐藏的电线时，请握住工具的绝缘表面。紧固件如果接触到“带电”导线，电动工具金属部件表面就会“带电”并使操作人员触电。
- ◆ 请使用夹具或采取其它可行的方法，把工件可靠地固定在稳定的平台上。手持或用身体顶住工件都是不稳定的，会导致操作失控。
- ◆ 在墙上、地板或天花板上钻孔之前，请检查电线和管道位置。
- ◆ 不要在钻孔后立刻碰触可能还带热的钻头尖端。
- ◆ 本使用手册描述了工具的设计用途。使用非本使用手册所建议的任何其他附件或配件，或者使用本工具执行非手册建议的任何其他操作，都可能存在人身伤害和/或财产损失的危险。

他人安全

- ◆ 本工具不适合体力、感觉或智力不足，或者缺乏经验及知识的人员（包括小孩）使用，除非负责他们安全的人员已经为他们提供关于使用此器具的监督或指示。
- ◆ 应看管好儿童，以确保他们不将此设备当做玩具来玩。

其他风险

使用工具时，可能出现本安全警示之外的其他剩余风险。这些风险可能来自使用不当、使用时间过长等。

尽管遵守了相关的安全法规并采用了安全装备，某些其他风险仍然是无法避免的。这些风险包括：

- ◆ 接触旋转/运动部件时所导致的伤害风险。
- ◆ 更换部件、锯片或配件时所导致的伤害风险。

- ◆ 长期使用工具所导致的伤害风险。长期使用任何工具时，均应定期休息。
- ◆ 听力损伤。
- ◆ 吸入工具使用过程中产生的粉尘导致的健康危害（例如，锯切木材，特别是橡木、山毛榉和中密度纤维板时）。

振动

技术参数和符合标准声明中所声明的振动发射值依据 EN 60745 提供的标准测试方法进行了测量，并且可用于工具间的比较。声明的振动发射值也可用于暴露的初步评估。

警告！取决于工具的操作方式，实际使用电动工具时的振动发射值可能会与声明的值有所不同。振动值也许会高于声明的值。

必须按照人体振动法规 2002/44/EC 对振动暴露值进行评估以确定安全措施，从而保护经常使用电动工具的操作人员。进行评估时，必须将预估的振动暴露值、实际使用条件和使用工具的方法纳入考量，其中包括了应考虑关闭工具电源或工具在触发时间外闲置运转时。

工具上的标签

工具上显示下列符号和日期码：



警告！为降低伤害风险，用户必须阅读使用手册。

电池和充电器的附加安全说明（未提供）

电池

- ◆ 不论基于任何理由，都不要尝试打开电池。
- ◆ 请勿将电池暴露在水中。
- ◆ 不要将电池存放在温度可能超过 40 °C 的地方。
- ◆ 只在环境温度介于 10 °C 和 40 °C 之间的情况下充电。
- ◆ 只能使用本工具随附的充电器为电池充电。
- ◆ 处理电池时，请遵循“保护环境”部分所提供的说明进行。



不要尝试对损坏的电池充电。

充电器

- ◆ 只能使用工具随附的史丹利充电器为工具内的电池充电。其他非原厂电池可能会爆裂，导致人身伤害和损害。
- ◆ 切勿尝试为不可再充电的电池充电。
- ◆ 应立即更换有缺陷的电线。
- ◆ 请勿将充电器暴露在水中。
- ◆ 请勿打开充电器。
- ◆ 请勿刺破充电器。



充电器仅供室内使用。



使用前请阅读使用手册。

电气安全



本充电器为双重绝缘，因此无需接地线。请务必检查电源电压是否与铭牌一致。切勿尝试使用一般的电源插头替换充电器。

- ◆ 如果电源线损坏，必须由制造商或 Stanley 授权服务中心更换，以避免发生危险。

部件名称

本设备包含如下部分或全部部件。

- 1) 变速开关
- 2) 正/反转滑块
- 3) 夹头
- 4) 夹具环
- 5) 电池
- 6) 皮带夹
- 7) LED 工作灯
- 8) 磁力钻头夹持器
- 9) 电量显示器
- 10) 钻头夹持器

图 A

- 11) 充电器
- 12) 充电指示灯

组装

警告! 装配之前，请取出工具内的电池。

安装及取出电池 (图 B)

- ◆ 要安装电池 (5)，请将它与工具上的插座对齐。将电池滑入插座，然后推动直到电池卡入定位。
- ◆ 要取出电池，请按下降放按钮 (13)，同时将电池从插座中拉出。

安装及拆卸螺丝起子头或插座 (图 C)

本工具配备快速释放夹头，允许轻松更换钻头。

警告! 安装或拆卸零件前，请确保工具已锁定以避免开关启动。

- ◆ 将正/反转滑块 (2) 拨到中间位置将工具锁定。
- ◆ 将夹具环 (4) 拉离工具前部。
- ◆ 将钻头轴 (14) 插入夹头 (3)。
- ◆ 快速释放轴环。附件已锁定到位。

注! 要取出螺丝起子头/插座，请重复上述步骤。

警告! 仅能使用冲击套筒。非冲击型套筒可能会破裂和导致危险情况。使用套筒之前，请检查套筒是否处于良好状态且无裂痕。

使用

警告! 请让工具在自有速度下工作。请勿过载。

为电池充电 (图 A)

电池在首次使用之前，以及无法像从前一样对工作轻松提供足够的电量时，都需要充电。电池在充电时可能会变热；这是正常现象，而且并不表示出现问题。

警告! 请勿在环境温度低于 10°C 或高于 40°C 的情况下为电池充电。建议的充电温度大约 24°C。

注: 若电池温度低于约 10°C 或高于 40°C，充电器将不会为电池充电。

电池应留在充电器内，充电器会在电池温度升高或降低到合适温度时自动开始充电。

◆ 要为电池 (11) 充电，请将电池插入充电器 (5)。

电池只能以一个方向插入至充电器。请勿用力过猛。确保电池在充电器中完全到位。

◆ 插入充电器插头并打开电源。

充电指示灯 (12) 会持续闪烁绿色 (缓慢)。

充电指示灯 (12) 常亮绿色时表示充电完成。充电器可以和电池长期连接，此时 LED 指示灯常亮。在充电器不时为电池充电时，LED 指示灯会变成闪烁绿色 (充电中) 状态。只要设备连接插接电源的充电器，充电指示灯 (12) 就会亮起。

◆ 当电池电力耗尽时，请在 1 周内进行充电。在电力耗尽状态下保存会大大缩短电池寿命。

将电池留在充电器中

充电器可以和电池组长期连接，此时 LED 指示灯常亮。充电器会让电池组保持电量充满的状态。

警告! 安装或拆卸电池前，请确保锁定按钮已闭合以避免开关启动。

充电器故障诊断

充电器检测到脆弱或损坏的电池时，充电指示灯 (12) 会快速闪烁红色。请按以下步骤操作：

- ◆ 重新插入电池 (5)。
- ◆ 如果充电指示灯仍然快速闪烁红色，请使用其他电池确定充电过程是否正常工作。
- ◆ 如果更换电池后可以正常充电，则原电池有缺陷，应送返服务中心进行回收处理。
- ◆ 如果更换电池后，指示灯仍然和原电池一样，则将充电器送至授权的服务进行测试。

注: 可能需要 60 分钟才能确定电池是否存在缺陷。如果电池太热或太冷，则 LED 会闪烁红色，闪烁频率为一快一慢相互交替。

选择旋转方向 (图 D)

如果要转紧，使用向前 (顺时针) 旋转。如果要转松，使用向后 (逆时针) 旋转。

- ◆ 要选择向前旋转，请将正/反转滑块 (2) 拨到左边。

- ◆ 要选择向后旋转，请将正/反转滑块拨到右边。
- ◆ 如果要锁定工具，将正/反转滑块拨到中间位置。

螺丝安装/设置螺母

- ◆ 选用适当的钻头/套筒拧紧螺钉或螺母。
- ◆ 如上所述，选择正转或反转。
- ◆ 保持工具与紧固件成一直线。
- ◆ 拧紧后，用扭矩扳手检查扭矩。

LED 工作灯

LED 指示灯 (7) 会在按下触发器时自动启动。在开始运行之前，当触发器部分按下时，LED 工作指示灯将亮起。

电量显示器

本工具配备电量显示器。电量显示器可用于指示使用中的电池的当前电量。

- ◆ 按下电量显示器 (9)。

最佳使用提示

螺丝安装

- ◆ 始终使用正确类型和尺寸的螺丝起子头。
- ◆ 如果螺钉难以转紧，请尝试用小量洗涤剂或肥皂作为润滑剂。
- ◆ 工具必须始终与螺丝起子头和螺钉成一直线。

维护

本 Stanley 工具设计精良，可以长时间使用，只需极少的维护。要连续获得令人满意的工作效果，需要进行合适的工具维护和定期清洁。

除了定期清洁外，本充电器无需其他维护。

警告! 对工具执行维护之前，请取出工具内的电池。清洁之前，先拔出充电器插头。

- ◆ 请使用软刷或干布定期清洁工具和充电器内的通风槽。
- ◆ 定期使用湿布清洁电动机外壳。请勿使用任何研磨性或溶剂型清洁剂。
- ◆ 请定期打开夹头并轻敲，以去除内部的任何粉尘。

保护环境



分类回收。由此符号标记的产品和电池不得与普通家庭垃圾一起处理。

产品和电池包含可恢复或回收的材料，从而降低对原材料的需求。请根据当地供给回收电子产品和电池。



分类回收使用过的产品和包装能够让材料得以再循环和再利用。再生材料的再利用有助于防止环境污染，并降低对原材料的需求。某些当地政府可能会要求当地或市政的废物处理中心或新产品零售商提供家用电子产品回收服务。

备注

STANLEY 的政策是持续改进我们的产品，因此，我们保留随时更改产品规格的权利，恕不另行通知。标准设备和附件可能会因国家（地区）而异。不同国家（地区）的产品规格也可能会有所不同。并非所有的国家（地区）都可提供完整的产品系列。有关各产品系列的供货情况，请联系您当地的 STANLEY 经销商。

技术参数

SBI201		
电压	伏特 _{直流}	18 伏
空载转速	转/分	0-2700
冲击数	BPM	0-3100
最大扭矩 (PTI 标称值)	Nm	180
夹头尺寸	毫米	6.35(Hex)
重量	千克	0.98 (无电池)

充电器		SC201	SC202
输入电压	伏特 _{交流}	230	230
输出电压	伏特 _{直流}	18	18
电	毫安	1000	2000
大约充电时间	分钟	80-240	40-120

电池		SCB20C	SCB20S	SCB20D	SCB20M
		STBL182	STBL184		
电压	伏特 _{交流}	18	18	18	18
电池容量	安时	1.3	1.5	2.0	4.0
类型		锂离子	锂离子	锂离子	锂离子

声压级根据 EN 60745:

声压级 (L_{pa}) 97 dB(A), 不确定度 (K) 3 dB(A)
声音功率 (L_{wa}) 108 dB(A), 不确定度 (K) 3 dB(A)

根据 EN 60745 确定振动总值 (triax 向量和):

紧固冲击 (a_{n,IS}) 12.2 m/s², 不确定度 (K) 1.5 m/s²

設計用途

Stanley SBI201 衝擊充電式起子機專門用於螺旋以及調整螺母操作。本工具適合專業、私人及非專業使用者操作。

請注意！各地區上市產品/配件不盡相同，請依台灣繁體中文說明書的內容為主。

安全指示

電動工具一般安全警告



警告！請閱讀所有安全警告及指示。若不遵循以下所示警告及指示，可能會導致觸電、火災及/或嚴重傷害。

請妥善保存所有警告及指示以備將來查閱。下列所有警告中的名詞「電動工具」是指電源驅動（插電）電動工具，或者電池驅動（充電）電動工具。

1. 工作場地安全

- 保持工作場地清潔和明亮。混亂或黑暗的場地會引發事故。
- 不要在易爆環境，如有易燃液體、氣體或塵埃的環境中操作電動工具。電動工具產生的火花會點燃塵埃或氣體。
- 請等待兒童和旁觀者離開之後才操縱電動工具。分心會導致您疏忽控制。

2. 電氣安全

- 電動工具插頭必須與插座相符。切勿以任何方式改裝插頭。需接地的電動工具不能使用任何配接器插頭。未經改裝的插頭和相符的插座可以減少觸電危險。
- 避免人體接觸接地表面，如管道、散熱片、爐灶和冰箱。若您的身體接地，可增加觸電危險。
- 不得將電動工具暴露在雨中或潮濕環境中。水進入電動工具會增加觸電危險。
- 切勿濫用電線。請勿使用電線來搬運、拉動電動工具或拔出插頭。讓電線遠離熱、油、銳邊和活動部件。受損或纏繞的電線會增加觸電危險。
- 若要在戶外使用電動工具，請使用適合戶外使用的延長電線。使用適合戶外使用的電線可減少觸電危險。
- 若必須在潮濕場合使用電動工具，請使用漏電保護器（RCD）。使用 RCD 可降低觸電危險。

3. 人身安全

- 保持警覺；在操作電動工具時，請留意所執行的操作並按照一般的程式執行。請勿在疲倦，或受到藥物、酒精或治療的影響下操作電動工具。操作電動工具期間注意力分散會導致嚴重人身傷害。
- 使用個人防護裝置。始終佩戴護目裝備。防護裝置，例如在適當條件下可使用的防塵面具、防滑安全鞋、安全帽或聽力保護等裝置可減少人身傷害。

- 避免意外啟動。在連接至電源及/或電池組、拾起或搬運工具之前，請確保開關處於關閉位置。搬運電動工具時若將手指放在開關上，或是在接通開關電源時插入插頭都會引發危險。
- 接通電動工具之前，請卸下所有的調整鑰匙或扳手。遺留在電動工具旋轉部件上的扳手或鑰匙會導致人身傷害。
- 不要過度伸張雙手。時刻注意腳下與身體的平衡。如此即可在發生意外的情況下更好地控制電動工具。
- 適當穿著。請勿穿寬鬆衣服或佩戴飾品。讓您的頭髮、衣服和手套遠離活動部件。寬鬆衣服、飾品和長髮可能會捲入活動部件。
- 若配備用於連接排屑裝置、集塵設備的裝置，請確定正確連接和使用這些裝置。使用集塵設備可減少與粉塵有關的危險。

4. 電動工具的使用與注意事項

- 請勿超負荷使用電動工具。根據您的用途使用適當的電動工具。使用適當的電動工具、讓它在設計可負荷的應用內運轉，會讓您更有效、更安全地執行工作。
- 若開關不能開啟或關閉電源，切勿使用該電動工具。不能用開關來控制的電動工具將存在危險，必須進行維修。
- 在執行任何調整、更換配件或儲存電動工具之前，請從電源上拔掉插頭及/或卸下電池組。這類防護性措施可降低電動工具意外啟動的風險。
- 將閒置的電動工具儲存在兒童無法接觸的地方，並且不要讓不熟悉電動工具或對這些使用指示不瞭解的人員操作電動工具。電動工具在未經培訓的使用者手中會發生危險。
- 維護電動工具。檢查活動部件是否對準或卡住、是否存在任何破損情況，或任何能影響電動工具運行的其他情況。若有損毀，必須在使用之前修理電動工具。許多事故都是由於電動工具欠缺維護所導致。
- 保持刀具鋒利和清潔。妥善維護、切削鋒利的鋸切工具不會輕易卡住並可更輕鬆控制。
- 遵循使用指示以及工作條件和所要執行的工作使用電動工具、配件和工具刀頭等。不按設計目的使用電動工具會導致危險。

5. 電池工具的使用與注意事項

- 只能使用製造廠商指定的充電器為電池充電。使用僅適合一種電池組的充電器為其他類型的電池組充電會導致火災危險。
- 請使用原廠的電動工具電池組。使用其他非原廠的電池組會導致人身傷害和火災危險。
- 不使用電池組時，請將其遠離迴紋針、硬幣、鑰匙、釘子、螺絲以及其他可連通電池兩極的金屬物品。將電池兩極短路會導致灼傷或火災。
- 濫用電池的情況下，液體會從電池中噴出；避免與液體接觸。若不小心接觸液體，請用清水沖

洗。若液體噴濺到眼睛上，沖洗之後還要進行治療。從電池噴出的液體會刺激皮膚或造成灼傷。

6. 檢修

- a. 維修本電動工具時，必須由合格的維修人員執行，而且只能使用完全一致的更換件。這將確保電動工具的安全性。

電動工具之附加安全警告



警告！電鑽/電鑽起子之附加安全警告

- ◆ 請在使用震動電鑽時佩戴聽力保護器。噪音會使聽力受損。
- ◆ 請使用工具隨附的輔助手柄。工具失控會導致人身傷害。
- ◆ 若在執行操作時切削配件可能會接觸隱藏的電線，請從絕緣手柄表面握住電動工具。若切削配件接觸到「帶電」導線，電動工具金屬部件表面就會「帶電」，從而導致操作人員觸電。
- ◆ 若在執行操作時緊固件可能會接觸隱藏的電線，請從絕緣手柄表面握住電動工具。若緊固件接觸到「帶電」導線，電動工具金屬部件表面就會「帶電」，從而導致操作人員觸電。
- ◆ 使用夾具或採取其他可行的方法，將工件固定、支撐到穩定的平台上。手持工件或用身體抵住工件會導致工件不穩定，可能會導致失去控制。
- ◆ 在牆上、地板和天花板上鑽孔之前，請檢查電線和鋼管位置。
- ◆ 不要在鑽孔後立刻碰觸可能還帶熱的鑽頭尖端。
- ◆ 工具的設計用途在本使用手冊中描述。使用非本使用手冊所建議的任何其他配件或附件，或使用本工具執行非本使用手冊中所建議的任何其他操作，可能會有人身傷害及/或財產損失的風險。

他人的安全

- ◆ 生理、感覺或心理機能不健全的人員（包括兒童）或缺乏經驗及知識的人員，除非由負責其安全的人員提供有關使用此器具的監督或指示，否則不得使用本工具。
- ◆ 必須對兒童進行監督，以確保其不會玩耍本器具。

殘餘風險

使用本工具時，可能會出現隨附安全警告中所不包括的其他殘餘風險。誤用、長時間使用工具等因素會導致這些風險。

即使遵循相關安全規定並採用安全裝置，仍然無法避免某些殘餘風險。此類風險包括：

- ◆ 接觸旋轉/活動部件引起的傷害。
- ◆ 更換任何部件、刀片或配件引起的傷害。
- ◆ 長時間使用工具引起的傷害。長時間使用任何工具時，請確保定期休息。
- ◆ 聽力受損。

- ◆ 吸入使用工具時產生的粉塵引起的健康危害（譬如：在木材上使用時，尤其是櫟木、山毛櫸和中密度纖維板(MDF)）。

振動

技術資料與符合性聲明中公佈的振動發射值是依據 EN 60745 提供的標準測試方法進行量測，可用於工具間的比較。此外，所公佈的振動發射值還可以用於振動承受能力的初步評估。

警告！ 視工具的使用方式而定，實際使用電動工具時的振動發射值與聲明值會有所不同。振動級別可能高於所述級別。

評估振動承受能力以確定 2002/44/EC 對定期使用電動工具的工作人員提供保護所需的安全舉措時，對振動承受能力的評估應考慮到實際使用狀況與工具的使用方式，包括考慮到操作周期（除了觸發時間外，還包括諸如工具關閉時間與閒置時間）內的所有零件。

工具上的標籤

本工具上具有以下圖示與日期代碼：



警告！ 為了降低受傷的風險，使用者必須仔細閱讀使用手冊。

電池與充電器（工具不隨附）的附加安全指示

電池

- ◆ 無論什麼原因，都不要嘗試打開電池。
- ◆ 請勿將電池暴露在水中。
- ◆ 不要將電池儲存在溫度可能超過 40°C 的地方。
- ◆ 只在環境溫度介於 10°C 和 40°C 之間的情況下充電。
- ◆ 只能使用本工具隨附的充電器為電池充電。
- ◆ 處置電池時，請遵循「保護環境」部份所提供的指示執行。



切勿試圖為損毀的電池充電。

充電器

- ◆ 只能使用工具隨附的 Stanley 充電器為工具內的電池充電。其他非原廠電池可能會爆裂，導致人身傷害和損害。
- ◆ 切勿嘗試對非可充電電池進行充電。
- ◆ 立即更換損壞的電線。
- ◆ 請勿將充電器暴露在水中。
- ◆ 請勿打開充電器。
- ◆ 請勿刺破充電器。



本充電器僅供室內使用。



使用之前請閱讀使用手冊。

電氣安全



您的充電器採用雙重絕緣，因此不需要使用接地線。請務必檢查主電壓是否與銘牌一致。切勿嘗試使用一般的電源插頭取代充電器裝置。

- ◆ 若電源線受損，必須由製造商或授權的 Stanley 服務中心更換以避免危險。

功能部件

本工具包括以下部分或全部功能部件。

1. 變速開關
2. 正/反轉開關
3. 夾頭
4. 夾頭調整環
5. 電池
6. 皮帶扣
7. LED 工作燈
8. 磁力鑽頭夾持器
9. 充電狀態指示燈
10. 起子頭固定器

圖 A

11. 充電器
12. 充電指示燈

裝配

警告! 裝配之前，請卸下工具內的電池。

安裝及卸下電池 (圖 B)

- ◆ 若要安裝電池 (5)，請將它與工具上的插座對齊。將電池滑入電池盒，然後推動直到電池卡入到位。
- ◆ 若要卸下電池，請按下釋放按鈕 (13)，同時將電池從插座中拉出。

安裝及卸下螺絲起子頭或套筒 (圖 C)

本工具配備快速釋放夾頭，允許輕鬆安裝鑽頭。

警告! 在安裝或卸下配件前，確定工具已鎖定，以防止開關啟動。

- ◆ 將正/反轉開關 (2) 撥到中間位置將工具鎖定。
- ◆ 將夾頭調整環 (4) 從工具前端拉出。
- ◆ 將鑽頭軸 (14) 插入夾頭 (3)。
- ◆ 釋放防夾頭。配件就會鎖入定位。

註: 若要卸下起子頭/套筒，請重複上述步驟。

警告! 僅可以使用衝擊套筒。非衝擊套筒可能會爆裂，導致危險。使用套筒前，請檢查套筒，確保沒有裂縫。

使用

警告! 請讓工具以自身之速度工作。請勿使它過載。

為電池充電 (圖 A)

第一次使用電池之前，以及電池無法像從前一樣為作業輕鬆提供足夠的電量時，就需要充電。電池在充電時可能會變熱；這是正常現象，並不表示出現問題。

警告! 請勿在環境溫度低於 10°C 或高於 40°C 的狀況下為電池充電。建議的充電溫度為大約 24°C。

註: 若電池溫度低於約 10°C 或高於 40°C，充電器將不會為電池充電。

電池應留在充電器中，電池溫度升高或降低後，充電器將自動開始充電。

- ◆ 若要為電池 (5) 充電，請將它插入充電器 (11) 中。電池只能以一個方向裝入充電器。請勿強行裝入。確保電池完全放入充電器。
- ◆ 插入充電器插頭並打開電源。

充電指示器 (12) 會持續閃爍綠燈 (緩慢)，表示電池充電中。

充電指示燈 (12) 持續發綠光時，充電完成。充電器和電池可以在 LED 亮起的情況下無限期地保持連接。偶然情況下，當充電器為電池充滿電時，LED 會變為閃爍綠光 (正在充電) 的狀態。只要電池連接至插入插頭的充電器，充電指示器 (12) 將亮起。

- ◆ 請在 1 週內為電量已耗盡的電池充電。如果在電池耗盡的狀態下儲存，電池壽命將會極大地縮短。

將電池留在充電器中

充電器和電池組可以在 LED 亮起的情況下無限期地保持連接。充電器會讓電池組保持充滿電量的狀態。

警告! 卸下或安裝電池組之前，請確保鎖止按鈕已接合，以防止開關啟動。

充電器診斷

如果充電器偵測到電池電量低或已損毀，充電指示燈 (12) 將快速閃紅光。請按以下方式進行：

- ◆ 重新插入電池 (5)。
- ◆ 如果充電指示燈繼續快速閃紅光，則使用其他電池以確定充電過程是否正常。
- ◆ 如果更換的電池可正常充電，則原電池已損壞，請將電池送回維修中心進行回收。
- ◆ 如果新電池發出的指示與原電池的相同，應連同電動工具、充電器送回服務中心回收測試。

注意: 可能需要 60 分鐘才能確定電池是否受損。

如果電池溫度過高或過低，LED 將以交替方式快速或緩慢地閃爍紅光，每種速度閃爍一次，然後不斷重複。

選擇旋轉方向 (圖 D)

若要轉緊螺釘，請使用正向 (順時針) 旋轉。若要轉鬆螺釘，請使用反向 (逆時針) 旋轉。

- ◆ 若要選擇正向旋轉，請將正轉/反轉開關 (2) 撥到左邊。

- ◆ 若要選擇反向旋轉，請將正轉/反轉開關撥到右邊。
- ◆ 若要鎖定工具，請將正轉/反轉開關撥到中間位置。

螺旋操作 / 設定螺釘

- ◆ 為螺釘或螺母選擇適當的鑽頭/插座。
- ◆ 如上所述選擇正向或反向旋轉。
- ◆ 使工具與緊固件保持一致。
- ◆ 擰緊後，用扭矩扳手檢查扭矩。

LED 工作燈

LED 工作燈 (7) 會在按下觸發器時自動啟動。LED 工作燈會在部分按下觸發器時以及裝置開始運行前亮起。

充電狀態指示燈

本工具配有一個充電狀態指示燈。指示燈可用於指示電池在使用期間的當前電量。

- ◆ 按下充電狀態指示燈按鈕 (9)。

最佳使用提示

螺旋操作

- ◆ 始終使用正確類型和大小的螺絲起子頭。
- ◆ 若螺釘難以轉緊，請嘗試用小量洗滌液或肥皂水為潤滑劑。
- ◆ 必須始終使工具和螺絲起子頭與螺釘成一直線。

維護

本 Stanley 工具採用卓越的設計，能夠長時間使用，只需最少的維護。若要持續獲得滿意的操作效果，需進行正確的工具維護和定期的清潔。

您的充電器除了定期清潔之外，並不需要執行任何維護操作。

警告！ 對工具執行任何維護之前，請卸下工具內的電池。請在清潔充電器之前拔出充電器的插頭。

- ◆ 請定期使用軟刷或軟布清潔工具和充電器內的通風槽。
- ◆ 定期使用濕布清潔電動機外殼。請勿使用任何研磨性或基於溶劑的清潔劑。
- ◆ 請定期打開夾頭並輕敲以去除內部的灰塵。

保護環境



分類回收。帶有此標誌的產品和電池必須與一般家庭廢物分開處置。

產品和電池包含可重複使用或回收的材料，可降低對原材料的需求。請根據當地法規回收電氣產品和電池。



透過分開收集用過的產品與包裝，可以實現材料的循環再生利用。

重新使用回收的材料有助於防止環境污染，並降低對原材料的需求。某些當地政府可能要求當地或市政廢物回收中心，或新產品的零售商提供電子家用產品的回收服務。

備註

STANLEY 的政策是持續改善我們的產品，因此，我們保留隨時變更產品規格的權利，恕不另行通知。標準裝置和配件可能會根據不同的國家/地區而有所不同。

產品規格可能會根據不同的國家而有所不同。並非所有的國家/地區都將提供完整的產品系列。如需瞭解產品系列的供應情況，請聯絡您當地的 STANLEY 代理商。

技術資料

		SBI201
最大/標稱 電壓	伏特 _{直流}	20/18V
空載轉速	轉/分	0-2700
衝擊次數	BPM	0-3100
最大扭矩 (PTI 評級)	Nm	180
夾頭尺寸	毫米	6.35(Hex)
重量	kg	0.98 (不附帶電池)

充電器		SC201	SC202
輸入電壓	伏特 _{交流}	110	110
輸出電壓	伏特 _{直流}	18	18
電	mA	1000	2000
大約充電時間	分鐘	80-240	40-120

電池		SCB20C	SCB20S	SCB20D STBL182	SCB20M STBL184
最大/標稱 電壓	伏特 _{交流}	20/18	20/18	20/18	20/18
電池容量	Ah	1.3	1.5	2.0	4.0
類型		鋰離子 電池	鋰離子 電池	鋰離子 電池	鋰離子 電池

聲壓級別根據 EN 60745:

聲壓級別 (L_{pa}) 97 dB(A), 不確定度 (K) 3 dB(A)

聲音功率 (L_{wa}) 108 dB(A), 不確定度 (K) 3 dB(A)

依據歐盟 EN 60745 標準確定的總振動值 (三軸矢量和):

緊固衝擊 (a_{v, is}) 12.2 m/s², 不確定度 (K) 1.5 m/s²

進口商:新加坡商百得電動工具(股)公司台灣分公司
地址:台北市士林區德行西路33號2樓
電話:02-28341741

總經銷商:永安實業股份有限公司
地址:新北市三重區新北大道二段137號
電話:02-29994633

용도

스탠리 SBI201 임팩트 드라이버는 나사를 조이거나 너트 고정용으로 설계되었습니다. 이 공구는 전문가 및 제품 사용 교육을 받은 개인 사용자입니다.

지침

전동 공구에 관한 일반 안전 경고



경고! 안전 경고와 지시 사항을 모두 읽으십시오. 아래 나열된 경고와 지시 사항을 준수하지 않으면 감전 및 화재 또는 심각한 부상을 초래할 수 있습니다.

향후 참고할 수 있도록 모든 경고 및 지시 사항을 보관해 두십시오. 아래의 모든 경고에서 사용된 "전동 공구"라는 말은 주 공급 전원에 의해 전기가 공급되는(유선) 전동 공구 또는 충전식(무선) 전동 공구를 의미합니다.

1. 작업장 안전

- 작업장을 항상 청결하고 밝게 유지하십시오. 혼잡하거나 어두운 작업장에서는 사고가 발생하기 쉽습니다.
- 가연성 액체, 가스 또는 먼지 등이 있는 폭발성 대기에서 전동 공구를 사용하지 마십시오. 전동 공구에서 먼지나 가스를 발화시킬 수 있는 불꽃이 될 수 있습니다.
- 전동 공구로 작업하는 동안에는 어린이와 주변 사람들이 작업 영역에 가까이 들어오지 못하도록 하십시오. 주변이 산만해져 통제력을 잃을 수 있습니다.

2. 전기 안전

- 전동공구의 플러그는 콘센트와 형식이 일치해야 하며, 플러그를 어떤 형태로든 개조하지 마십시오. 접지된(지면 접지) 전동 공구에 어떤 어댑터 플러그도 사용하지 마십시오. 개조되지 않은 플러그 및 형식이 일치하는 콘센트를 사용하면 감전 위험이 줄어듭니다.
- 파이프 관, 라디에이터, 렌지, 냉장고 등의 접지 표면에 물이 닿지 않도록 하십시오. 몸에 닿을 경우 감전이 될 위험이 높아집니다.
- 전동 공구를 비 또는 습한 환경에 노출하지 않도록 주의하십시오. 전동 공구에 물이 들어가면 감전 위험이 높아집니다.
- 코드를 합부로 다루지 마십시오. 코드를 사용하여 전동 공구를 운반하거나 잡아당기거나 플러그를 뽑지 마십시오. 전열코드가 열기 또는 오일과 접촉되는 것을 피하고, 날카로운 모서리 또는 기기의 기동 부위에 닿지 않도록 주의 하십시오. 코드가 손상되거나 얽혀 있으면 감전 위험이 높아집니다.

- 전동 공구를 실외에서 사용할 때는 실외 사용에 적합한 연장 코드를 사용하십시오. 실외 사용에 적합한 코드를 사용하면 감전 위험이 줄어듭니다.
- 전동공구를 습한 공간에서 사용할 경우, 반드시 누전 차단기(RCD)를 사용하십시오. 누전 차단기(RCD)를 사용하면 감전 위험이 줄어듭니다.

3. 신체 안전 사항

- 전동 공구로 작업할 때는 방심하지 말고 작업에 주의하면서 상식에 따르십시오. 피곤한 상태이거나 약물, 술, 치료제를 복용한 상태에서는 전동 공구를 사용하지 마십시오. 전동 공구를 사용하는 중에 주의력을 잃어 순간적으로 부상을 당할 수 있습니다.
- 신체 보호 장비를 착용하십시오. 항상 보안경을 착용하십시오. 적합한 상황에서 방진 마스크, 미끄럼 방지 안전화, 안전모 또는 청력 보호 기구 등의 보호 장비를 사용하면 신체 부상 위험이 줄어듭니다.
- 갑작스러운 장비 기동을 방지하십시오. 전원 및/또는 배터리 팩에 연결한 상태로 공구를 선택 또는 운반할 때는 사전에 스위치가 꺼짐 위치에 있는지 반드시 확인하십시오. 스위치가 켜짐 위치에 있는 상태에서 스위치에 손가락이 닿은 상태로 전동 공구를 운반하거나 전동 공구에 전원을 공급하면 사고가 발생합니다.
- 전동 공구를 켜기 전에 모든 조정 키 또는 렌치를 제거하십시오. 전동 공구의 회전 부품에 렌치나 키가 부착되어 있으면 부상을 당할 수 있습니다.
- 무리하게 팔을 뻗지 마십시오. 항상 올바른 자세로 서서 균형을 유지하십시오. 안정된 자세로 작업을 할 경우 전동 공구를 안전하게 사용할 수 있습니다.
- 적절한 의복을 착용하십시오. 헐렁한 옷이나 장신구를 착용하지 마십시오. 머리카락, 옷 및 장갑이 움직이는 부품에 닿지 않도록 유의하십시오. 헐렁한 옷, 장신구 또는 긴 머리가 움직이는 부품에 걸 수 있습니다.
- 먼지 배출 및 집진 시설 연결을 위한 장치가 제공된 경우, 이들 장치가 연결되어 적절히 사용되고 있는지 반드시 확인하십시오. 집진 장치를 사용하면 먼지와 관련된 위험을 줄일 수 있습니다.

4. 전동 공구 사용 및 관리

- 전동 공구에 무리한 힘을 가하지 마십시오. 해당 용도에 맞는 올바른 전동 공구를 사용하십시오. 올바른 전동 공구를 사용해야 설계된 속도로 작업을 더욱 안전하고 정확하게 수행할 수 있습니다.
- 스위치 켜짐/꺼짐이 되지 않는 전동 공구는 사용하지 마십시오. 스위치로 제어되지 않는 전동 공구는 위험하므로 수리해야 합니다.
- 전동 공구를 조정하거나 액세서리를 변경하거나 보관하기 전에 전원 및/또는 배터리 팩에서 플러그를

배십시오. 이러한 예방적 안전 조치를 따라야 전동 공구가 갑자기 작동할 위험이 줄어듭니다.

- d. **사용하지 않는 전동 공구는 어린이의 손이 닿지 않는 곳에 보관하고, 전동 공구나 본 지시 사항에 익숙하지 않은 사람이 전동 공구를 절대 사용하지 못하게 하십시오.** 전동공구에 대한 훈련을 받지 않은 사용자가 전동공구를 함부로 다룰 경우 예기치 않은 사고를 초래할 수 있습니다.
- e. **전동 공구 유지 보수.** 움직이는 부품의 잘못된 정렬이나 바인딩, 부품 파손 및 기타 전동 공구의 작동에 영향을 미칠 수 있는 상태가 있는지 확인하십시오. 손상된 부분이 있는 경우 사용하기 전에 전동 공구를 수리하십시오. 많은 사고는 전동 공구를 제대로 유지 보수하지 않아 발생합니다.
- f. **공구를 깨끗한 상태로 유지하십시오.** 절삭 가장자리를 예리하게 잘 유지하면 절삭기를 사용할 때 바인딩이 적고 다루기가 용이합니다.
- g. **작업 환경과 수행할 작업을 고려하여, 본 지시 사항에 따라 전동 공구, 액세서리 및 톨 비트 등을 사용하십시오.** 본 사용 설명서의 내용과 다른 용도로 전동 공구를 사용하면 위험한 상황이 발생할 수 있습니다.

5. 배터리 공구 사용 및 관리

- a. **다시 충전할 때는 제조업체에서 지정한 충전기만 사용하십시오.** 하나의 배터리 팩 유형에 적합한 충전기를 다른 배터리 팩과 함께 사용할 경우 화재의 위험이 있습니다.
- b. **전동 공구를 사용할 때는 구체적으로 지정되어 있는 배터리 팩만 사용하십시오.** 다른 배터리 팩을 사용하면 부상을 입거나 화재의 위험이 있습니다.
- c. **배터리 팩을 사용하지 않을 때에는 클립, 동전, 키, 못, 나사 등의 금속 물체나, 단자 간에 연결할 수 있는 작은 금속 물체가 닿지 않도록 멀리 두십시오.** 배터리 단자가 단락되면 화상을 입거나 화재가 발생할 위험이 있습니다.
- d. **배터리를 과다 사용하면 배터리액이 흘러 나올 수 있는데 접촉을 피하십시오.** 실수로 접촉한 경우에는 물로 씻으십시오. 액체가 눈에 들어가면 치료를 받으십시오. 배터리에서 나온 액체는 통증을 유발하거나 화상을 입힐 수 있습니다.

6. 정비

- a. **자격을 갖춘 기술자가 동일 교체 부품을 사용하여 정비 작업을 수행해야 합니다.** 그렇게 함으로써 기기의 안전성을 오래 유지 할 수 있습니다.

전동 공구에 관한 추가 안전 경고



경고! 드릴/드라이버에 대한 추가 안전 경고

- ◆ **임팩트 드릴 작업 시 귀 보호 장비를 착용하십시오.** 소음에 노출되면 청력이 손상될 수 있습니다.
- ◆ **공구와 함께 제공되는 보조 핸들을 사용하십시오.** 제어력을 잃으면 신체 부상을 당할 수 있습니다.
- ◆ **절삭 액세서리가 숨겨진 배선에 접촉할 수 있는 작업을 수행할 때는 절연된 손잡이 부분을 이용해 전동 공구를 쥐십시오.** "전류가 흐르는" 전선에 접촉된 절삭 액세서리는 전동 공구의 노출된 금속 부품을 "전류가 흐르는" 상태로 만들어 작업자를 감전시킬 수 있습니다.
- ◆ **잠금 장치가 숨겨진 배선에 접촉할 수 있는 작업을 수행할 때는 절연된 그림핑 표면이 닿도록 하여 전동 공구를 잡으십시오.** "전류가 흐르는" 전선에 접촉된 잠금장치는 전동 공구의 노출된 금속 부품을 "전류가 흐르는" 상태로 만들어 작업자를 감전시킬 수 있습니다.
- ◆ **클램프 또는 다른 적절한 방식을 이용하여 안정된 작업대에 작업 공구들을 고정시키거나 지지하십시오.** 작업물을 손으로 잡거나 몸으로 지탱하는 행동은 불안정하여 제어력을 잃을 수 있습니다.
- ◆ **벽, 바닥 또는 천장에 드릴 작업을 하기 전에 배선 및 파이프의 위치를 확인하십시오.**
- ◆ **드릴 작업을 한 후에는 드릴 끝이 뜨거울 수 있으므로 만지지 마십시오.**
- ◆ **본 사용 설명서에 제품의 용도가 설명되어 있습니다.** 본 사용 설명서에서 권장하는 방식 이외의 다른 방식으로 본 공구를 조작하거나 액세서리 또는 부착물을 사용하는 경우 신체 부상의 위험이 있거나 재산상의 손해가 발생할 수 있습니다.

다른 사람들의 안전

- ◆ 이 공구는 신체, 지각 또는 정신 능력이 낮거나 경험 및 지식이 부족한 사람 (어린이 포함)이 사용하도록 설계되지 않았습니다. 이러한 사람이 사용할 때는 안전 책임자의 감독 또는 제품 사용과 관련된 지시 사항이 필요합니다.
- ◆ 어린이가 본 제품을 가지고 놀지 못하도록 항상 주시해야 합니다.

기타 발생 가능한 위험

공구를 사용할 때 동봉된 안전 경고에 포함되어 있지 않은 기타 발생 가능한 위험들이 있을 수 있습니다. 이러한 위험은 오용, 장시간 사용 등으로 인해 발생할 수 있습니다.

관련된 안전 규정을 준수하고 안전 장치를 사용한다고 해도 어떤 위험들은 피하지 못할 수도 있습니다. 이러한 위험으로는 다음과 같은 것들이 있습니다.

- ◆ 회전 부품이나 작동 부품을 만져 발생하는 부상.
- ◆ 부품, 톱날 또는 액세서리 변경으로 인한 부상.
- ◆ 장시간에 걸친 공구 사용으로 인한 부상. 어떤 공구 이든 장시간에 걸쳐 사용할 때는 반드시 정기적인 휴식을 취하십시오.
- ◆ 청력 손상.
- ◆ 공구 사용 중에 발생하는 먼지를 호흡하여 유발되는 건강 위해성(예: 목재, 특히 오크, 너도밤나무 및 MDF 가공 작업).

진동

기술 데이터에 표기된 진동 방출 값은 EN 60745 에서 제 공되는 표준 테스트 방법에 따라 측정되었으므로 한 공 구를 다른 공구와 비교하는 데 사용할 수 있습니다. 표기 한 진동 방출 값은 노출에 대한 예비 평가를 위해서도 사 용할 수 있습니다.

경고! 전동 공구를 실제로 사용하는 동안의 진동 방출 값 은 공구를 사용하는 방법에 따라 표기한 값과 다를 수 있 습니다. 진동 레벨이 표시된 레벨 이상으로 증가할 수 있 습니다.

직장에서 전동 공구를 정기적으로 사용하는 사람의 부 상을 방지하기 위해서는 2002/44/EC에서 요구하는 안전 조치를 확인하기 위해 진동 폭로를 평가할 때, 진동 폭로 평가에서는 작동 시간에 더해, 공회전한 때와 공구를 꺼 든 시간 등 작업 주기의 모든 부분을 고려하는 것을 포함 하여, 실제 사용 조건과 공구를 사용하고 있는 방식을 고 려해야 합니다.

공구 라벨

공구에는 날짜 코드와 함께 다음과 같은 기호가 표시되 어 있습니다.



경고! 부상 위험을 줄이려면 사용자는 사용 설명서를 주의 깊게 읽어야 합니다.

배터리와 충전기(공구와 함께 제공되지 않음) 관 련 추가 안전 지시 사항

배터리

- ◆ 어떤 이유로든 배터리 팩을 절대 열려고 하지 마십시오.
- ◆ 배터리에 물이 닿지 않도록 하십시오.
- ◆ 온도가 40 °C 를 초과할 수 있는 곳에 보관하지 마십 시오.

- ◆ 주변 온도가 10 °C - 40 °C 사이에 있을 때에만 충전하 십시오.
- ◆ 충전할 때는 이 공구와 함께 제공된 충전기만 사용하 야 합니다.
- ◆ 배터리를 폐기할 때는 "환경 보호" 섹션에 나와 있는 지시 사항을 따르십시오.



손상된 배터리를 충전하지 마십시오.

충전기

- ◆ 공구와 함께 제공된 배터리를 충전할 때는 스탠리 충 전기기만 사용하십시오. 다른 배터리를 사용하면 배터 리가 폭발하여 신체 부상을 당하거나 손해를 입을 수 있습니다.
- ◆ 절대로 비충전식 배터리를 충전하려고 하지 마십시오.
- ◆ 손상된 코드는 즉시 교체하십시오.
- ◆ 충전기에 물이 닿지 않도록 하십시오.
- ◆ 충전기를 해체하거나 열지 마십시오.
- ◆ 충전기를 시험하지 마십시오.



충전기는 실내용으로만 사용됩니다.



사용하기 전에 사용 설명서의 내용을 숙지하 십시오.

전기 안전



본 충전기는 이중으로 절연되어 있으므로 접 지가 필요 없습니다. 전원 전압이 명판에 기 재된 전압과 일치하는지 항상 확인하십시오. 충전기를 절대로 일반 전원 플러그로 교체하 지 마십시오.

- ◆ 전원 코드가 손상된 경우 사고가 발생하지 않도록 제 조업체 또는 공인 스탠리 서비스 센터에서 교체해야 합니다.

기능

본 제품에는 다음 기능들 중 일부 또는 전체가 포함되어 있습니다.

1. 가변 속도 스위치
2. 전진/후진 슬라이더
3. 척
4. 척 칼라
5. 배터리
6. 벨트 클립
7. LED 작업등
8. 마그네틱 비트 홀더

9. 충전 상태 표시등
10. 비트 홀더

그림 A

11. 충전기
12. 충전 표시등

조립

경고! 조립하기 전에 공구에서 배터리를 분리하십시오.

배터리 장착 및 분리 (그림 B)

- ◆ 배터리(5)를 끼우려면 배터리를 공구의 배터리 장착부에 맞춥니다. 배터리를 배터리 장착부에 밀어 넣어 제자리에 끼웁니다.
- ◆ 배터리를 분리하려면 두 개의 탈착 버튼(13)을 누름과 동시에 배터리를 배터리 장착부 밖으로 뺍니다.

드라이버 비트 또는 소켓 장착 및 분리(그림 C)

이 공구에는 퀵 릴리즈 척이 장착되어 있어 비트를 쉽게 교환할 수 있습니다.

경고! 배터리를 장착하거나 제거하기 전에 스위치가 작동되지 않도록 공구가 잠겨 있는지 확인하십시오.

- ◆ 전진/후진 슬라이더(2)를 가운데로 설정하여 공구를 잠그십시오.
- ◆ 공구 앞쪽으로부터 척 칼라(4)를 당겨 고정시키십시오.
- ◆ 비트 샹크(14)를 척(3)에 삽입합니다.
- ◆ 칼라를 풀어 주십시오. 액세서리가 제자리에 잠깁니다.

참고! 비트/소켓을 분리하려면 위의 절차를 반복하십시오.

경고! 임팩트 소켓만 사용하십시오. 임팩트 소켓이 아닐 경우 파손으로 인해 위험한 상황에 봉착할 수 있습니다. 사용하기 전에 금이 가 있지 않은지 소켓을 점검하십시오.

사용법

경고! 공구를 정상 속도로 가동하십시오. 과부하가 발생하면 안 됩니다.

배터리 충전 (그림 A)

배터리는 처음 사용하기 전에, 그리고 이전에 간단히 수행했던 작업에서 전력이 부족할 때마다 충전해야 합니다. 충전 중에 배터리가 뜨거워질 수도 있습니다. 이는 정상적인 현상이며 고장이 아닙니다.

경고! 주변 온도가 10°C 미만이거나 40°C 이상일 때는 배터리를 충전하지 마십시오. 권장 충전 온도: 약 24°C.

참고: 전지 온도가 10°C 미만이거나 40°C를 초과했을 때는 충전기가 배터리를 충전하지 않습니다.

배터리를 충전기에 남겨 둘 경우 전지 온도가 증가하거나 냉각되면 충전기가 자동으로 충전을 시작합니다.

◆ 배터리(5)를 충전하려면, 충전기(11)에 배터리를 삽입합니다. 배터리는 충전기에 한 방향으로만 장착됩니다. 힘을 주지 마십시오. 충전기에 배터리가 완전히 장착되도록 하십시오.

◆ 충전기를 꽂은 뒤 본체의 전원을 켜십시오.

충전 표시등(12)이 녹색으로 계속 깜빡입니다 (천천히).

충전 표시등(12)이 녹색으로 계속 켜져 있으면 충전이 완료된 것입니다. 충전기와 배터리를 계속 연결된 상태로 둘 수 있는데, 이 경우 LED는 계속 켜집니다. 충전기가 배터리 전하를 충전할 때마다 LED는 녹색 점멸 상태(충전)로 바뀝니다. 배터리가 전원이 들어오는 충전기에 연결되어 있는 동안 충전 표시등(12)이 계속 켜져 있습니다.

◆ 방전된 배터리는 1주일 내에 충전하십시오. 방전된 상태로 보관하면 배터리 수명이 크게 저하됩니다.

배터리를 충전기에 두기

충전기와 배터리 팩이 연결된 상태로 둘 수 있는데, 이 경우 충전 표시등은 계속 켜진 상태로 유지됩니다. 충전기는 배터리 팩을 새롭게 완전 충전된 상태로 유지시킵니다.

경고! 배터리를 장착하거나 제거할 때는 반드시 잠금 해제 버튼을 고정시켜 실수로 스위치가 작동되는 것을 방지해야 합니다.

충전기 진단

충전기가 약하거나 손상된 배터리를 감지하면 충전 표시등(12)이 적색으로 빠르게 깜빡입니다. 다음과 같이 조치하십시오.

- ◆ 배터리(5)를 다시 끼우십시오.
- ◆ 충전 표시등이 적색으로 빠르게 깜빡이면 다른 배터리를 사용해 충전 프로세스가 제대로 작동하는지 확인하십시오.
- ◆ 교체한 배터리가 제대로 충전되면 원래의 배터리에 결함이 있는 것이므로 재활용을 위해 서비스 센터에 보내야 합니다.
- ◆ 새 배터리가 원래의 배터리와 동일한 증상을 보일 경우 공인 서비스 센터에서 충전기를 검사하십시오.

참고: 배터리 결함 유무를 확인하는 데는 약 60분이 소요됩니다. 배터리 온도가 너무 높거나 낮으면 충전 표시등이 적색으로 빠른 점멸과 느린 점멸을 한 번씩 반복합니다.

회전 방향 선택 (그림 D)

조이려면 전진(시계 방향) 회전을 사용하십시오. 나사를 풀려면 후진(시계 반대 방향) 회전을 사용하십시오.

- ◆ 전진 회전을 선택하려면 전진/후진 슬라이더 (2)를 왼쪽으로 누릅니다.
- ◆ 후진 회전을 선택하려면 전진/후진 슬라이더를 오른쪽으로 누릅니다.
- ◆ 공구를 잠그려면 전진/후진 슬라이더를 가운데로 설정합니다.

나사 조이기/너트 고정

- ◆ 조일 나사나 너트에 맞는 비트/소켓을 선택합니다.
- ◆ 위에서 설명한 대로 전진 또는 후진 회전을 선택하십시오.
- ◆ 공구를 패스너와 일직선이 되게 쥐십시오.
- ◆ 조인 후 토크 렌치로 토크를 확인하십시오

LED 작업등

LED 작업등(7)은 트리거를 누르면 자동으로 작동됩니다. 공구가 작동하기 전에 트리거를 살짝 누르면 LED 작업등이 켜집니다

충전 상태 표시등

공구에는 충전 상태 표시등이 장착되어 있습니다. 이는 사용하는 동안 배터리의 현재 충전 레벨을 표시하기 위해 사용할 수 있습니다.

- ◆ 충전 상태 표시등 버튼(9)을 누릅니다.

최적의 사용법

나사 조이기

- ◆ 항상 올바른 유형과 크기의 드라이버 비트를 사용하십시오.
- ◆ 나사를 조이기 어려우면 소량의 액체 세제 또는 비누를 윤활유로 사용해 보십시오.
- ◆ 항상 공구와 드라이버 비트를 나사와 직각으로 잡으십시오.

유지 보수

스탠리 전동 공구는 최소한의 유지 보수로 장기간에 걸쳐 작업이 가능하도록 설계되어 있습니다. 만족스러운 연속 작동은 적절한 공구 관리와 정기적인 청소에 따라 그 성능이 달라질 수 있습니다.

충전기는 정기적인 청소 이외에 유지 보수가 필요하지 않습니다.

경고! 공구를 유지 보수하려면 먼저 공구에서 배터리를 분리하십시오. 충전기를 청소하기 전에 충전기의 플러그를 뽑으십시오.

- ◆ 부드러운 브러시와 마른 헝겊으로 공구 및 충전기의 환기 슬롯을 주기적으로 청소하십시오.
- ◆ 젖은 헝겊으로 모터 하우징을 주기적으로 청소하십시오. 연마재 및 유성 클리너를 사용하지 마십시오.
- ◆ 척을 주기적으로 열고 가볍게 두드려 내부의 먼지를 털어내십시오.

환경 보호



분리 수거. 이 기호가 표시된 제품과 배터리를 일반 가정용 쓰레기와 함께 처리하면 안 됩니다.

제품과 배터리에는 재용되거나 재활용되고 고철 자원에 대한 수요를 줄일 수 있는 자재가 포함되어 있습니다. 전기 제품과 배터리는 지역 규정에 따라 재활용하십시오.



사용하던 제품과 포장을 분리 수거하면 자원을 재활용 및 재사용할 수 있습니다. 재활용 자원을 이용하면 환경 오염이 방지되고 고철 자원에 대한 수요를 줄일 수 있습니다. 일부 지방 정부는 가정에 가전제품 재활용 서비스를 제공하기 위해 지역 또는 지방 자치체의 폐기물 처리 센터 또는 신제품 소매점이 필요할 수 있습니다.

참고

STANLEY의 정책은 제품을 지속적으로 개선시키는 것이기 때문에 사전 통지 없이 제품 사양이 변경될 수 있습니다. 기본 장비 및 액세서리 구성은 각 국가에 따라 다를 수 있습니다.

제품 사양은 국가에 따라 다를 수 있습니다.

국가에 따라 판매하지 않는 제품도 있을 수 있습니다. 제품 판매 여부는 해당 지역에 있는 스탠리 판매점으로 문의하십시오.

기술 데이터

SBI201		
전압	V_{DC}	18V
무부하 속도	분 ⁻¹	0-2700
비트	BPM	0-3100
최대 토크 (PTI 방법)	Nm	180
척 용량	mm	6.35(육각)
무게	kg	0.98 (배터리 미포함)

충전기		SC201	SC202
입력 전압	V_{AC}	230	230
출력 전압	V_{DC}	18	18
전류	mA	1000	2000
대략적 충전 시간	분	80-240	40-120

배터리		SCB20C	SCB20S	SCB20D	SCB20M
				STBL182	STBL184
전압	V_{AC}	18	18	18	18
용량	Ah	1.3	1.5	2.0	4.0
종류		리튬 이온	리튬 이온	리튬 이온	리튬 이온

EN 60745 에 따른 음압 레벨:	
음압 (L_{pA})	97 dB(A), 불확실성 (K) 3 dB(A)
음압 (L_{pWA})	108 dB(A), 불확실성 (K) 3 dB(A)

EN 60745 에 따른 총 진동 값 (triax 벡터 합계):	
임팩트 체결 ($a_{n, is}$)	12.2 m/s ² , 불확실성 (K) 1.5 m/s ²

Tujuan penggunaan

Obeng tumbuk Stanley SBI201 dirancang untuk aplikasi mengobeng dan menyatel mur. Alat ini ditujukan untuk pengguna profesional dan pribadi dan non-profesional.

PETUNJUK KESELAMATAN

Peringatan umum untuk keselamatan perkakas listrik



Peringatan! Baca seluruh peringatan keselamatan dan seluruh petunjuk. Kegagalan mengikuti peringatan dan petunjuk yang tercantum di bawah ini dapat mengakibatkan sengatan listrik, kebakaran, dan/atau cedera berat.

Simpan semua peringatan dan petunjuk untuk referensi di masa mendatang. Istilah “perkakas listrik” dalam seluruh peringatan yang tercantum di bawah ini merujuk pada perkakas listrik bertenaga listrik (berkabel) atau perkakas listrik bertenaga baterai (nirkabel) Anda.

1. Keselamatan area kerja

- Jaga agar area kerja tetap bersih dan terang. Area yang berantakan atau gelap berpotensi mengakibatkan kecelakaan.
- Jangan mengoperasikan perkakas listrik ini di lingkungan yang mudah menimbulkan bahaya ledakan, seperti di tempat yang terdapat cairan, gas, atau debu yang mudah terbakar. Perkakas listrik menimbulkan percikan api yang dapat menyulut debu atau uap.
- Jauhkan anak-anak dan orang yang berada di sekitar, sewaktu mengoperasikan perkakas listrik. Gangguan dapat menyebabkan Anda kehilangan kendali.

2. Keselamatan kelistrikan

- Steker perkakas listrik harus sesuai dengan soketnya. **Jangan pernah memodifikasi steker dengan cara apa pun. Jangan gunakan steker adaptor apa pun dengan alat listrik yang dibumikan (grounded).** Steker yang tidak dimodifikasi dan stopkontak yang sesuai akan mengurangi risiko sengatan listrik.
- Hindari kontak badan dengan permukaan yang dibumikan (grounded), seperti pipa, radiator, kompor, dan kulkas. Risiko sengatan listrik dapat meningkat jika tubuh Anda bersentuhan dengan permukaan yang dibumikan.

- Jangan sampai perkakas listrik ini terkena hujan atau terpapar ke kondisi yang basah. Air yang masuk ke perkakas listrik akan meningkatkan risiko sengatan listrik.
- Jangan **menyalahgunakan kabel. Jangan sekali-kali menggunakan kabel untuk membawa, menarik, atau mencabut alat listrik. Jauhkan kabel dari panas, minyak, tepi tajam, atau komponen yang bergerak.** Kabel yang rusak atau terbelit meningkatkan risiko sengatan listrik.
- Bila mengoperasikan perkakas listrik di luar ruangan, gunakan kabel sambungan yang sesuai untuk penggunaan di luar ruangan. Menggunakan kabel yang sesuai untuk penggunaan di luar ruangan akan mengurangi risiko sengatan listrik.
- Jika penggunaan perkakas listrik di lokasi yang lembap tidak dapat dihindari, gunakan suplai yang terlindungi oleh perangkat arus sisa (RCD). Penggunaan RCD akan mengurangi risiko sengatan listrik.

3. Keselamatan diri

- Tetap waspada, perhatikan apa yang Anda kerjakan dan gunakan akal sehat saat mengoperasikan perkakas listrik. **Jangan mengoperasikan alat listrik bila Anda sedang lelah, atau berada di bawah pengaruh obat, alkohol, atau pengobatan. Kelengahan sesaat saja saat mengoperasikan perkakas listrik dapat mengakibatkan cedera diri serius.**
- Gunakan peralatan pelindung diri. **Selalu kenakan alat pelindung mata.** Peralatan pelindung, seperti masker debu, sepatu keselamatan antiselip, helm proyek, atau pelindung telinga yang digunakan untuk kondisi yang sesuai akan mengurangi risiko cedera diri.
- Hindari **menyalakan alat tanpa disengaja. Pastikan bahwa sakelar sudah dalam posisi mati sebelum menghubungkannya ke sumber listrik dan/atau baterai, mengambil, atau membawa alat.** Membawa perkakas listrik dengan jari Anda masih menempel pada tombol atau menghidupkan perkakas listrik yang tombolnya masih menyala akan berpotensi mengakibatkan kecelakaan.
- Lepaskan semua kunci setelan atau kunci pas sebelum menghidupkan perkakas listrik. Kunci pas atau kunci yang dibiarkan terpasang pada komponen perkakas listrik yang berputar dapat mengakibatkan cedera diri.
- Jangan menjangkau melampaui batas. **Selalu jaga pijakan dan keseimbangan yang baik.** Hal ini memungkinkan Anda untuk

mengendalikan perkakas listrik secara lebih baik dalam situasi yang tidak terduga.

- f. **Kenakan pakaian yang sesuai. Jangan mengenakan pakaian longgar atau perhiasan. Jauhkan rambut, pakaian dan sarung tangan dari komponen yang bergerak.** Pakaian yang longgar, perhiasan atau rambut panjang dapat tersangkut pada komponen yang bergerak.
 - g. Jika disediakan perangkat untuk sambungan fasilitas pengeluaran dan pengumpulan debu, pastikan alat ini dihubungkan dan digunakan dengan sesuai. Penggunaan alat pengumpul debu dapat mengurangi bahaya yang ditimbulkan oleh debu.
- 4. Penggunaan dan pemeliharaan alat listrik**
- a. Jangan menggunakan perkakas listrik dengan paksa. **Gunakan alat listrik yang sesuai untuk aplikasi Anda.** Alat listrik yang tepat akan bekerja lebih baik dan aman pada tingkatan kerja yang telah dirancang untuk alat itu.
 - b. Jangan gunakan perkakas listrik ini jika sakelar tidak dapat menghidupkan dan mematikan alat. Perkakas listrik apa pun yang tidak dapat dikendalikan dengan tombol adalah berbahaya dan harus diperbaiki.
 - c. Lepaskan stopkontak dari sumber listrik dan/ atau baterai dari perkakas listrik sebelum melakukan penyyetelan apa pun, mengganti aksesoris, atau menyimpan perkakas listrik. Tindakan pencegahan untuk keselamatan seperti itu akan mengurangi risiko menyalakan alat listrik secara tidak disengaja.
 - d. Simpan perkakas listrik yang tidak digunakan jauh dari jangkauan anak-anak, dan jangan membolehkan orang yang tidak memahami perkakas listrik atau petunjuk ini untuk mengoperasikannya. Perkakas listrik dapat berbahaya bila digunakan oleh pengguna yang tidak terlatih.
 - e. **Rawat perkakas listrik. Lakukan pemeriksaan untuk mengetahui apakah ada komponen bergerak yang tidak sejajar atau bengkak, komponen yang patah, dan kondisi lainnya yang dapat memengaruhi pengoperasian perkakas listrik. Jika rusak, perbaiki alat listrik sebelum digunakan.** Banyak terjadi kecelakaan akibat perkakas listrik yang tidak terawat dengan baik.
 - f. **Jaga ketajaman dan kebersihan alat pemotong.** Alat pemotong yang terawat dengan baik dengan mata potong yang tajam akan kecil

kemungkinannya untuk macet serta lebih mudah untuk dikendalikan.

- g. Gunakan perkakas listrik, aksesoris, mata bor, dsb, sesuai petunjuk ini, dengan memperhitungkan persyaratan kerja dan jenis pekerjaan yang harus dilakukan. Penggunaan alat listrik untuk pengoperasian yang tidak sesuai dengan tujuan penggunaan dapat mengakibatkan situasi yang berbahaya.
- 5. Penggunaan dan pemeliharaan alat bertenaga baterai**
- a. Isi ulang daya baterai hanya dengan pengisi daya yang ditetapkan oleh pabrik. Pengisi daya yang cocok untuk satu tipe baterai dapat menimbulkan risiko kebakaran jika digunakan pada baterai lainnya.
 - b. Gunakan alat hanya dengan baterai yang ditujukan secara khusus. Penggunaan baterai lainnya dapat menimbulkan risiko cedera dan kebakaran.
 - c. Bila tidak dipakai, jauhkan baterai dari benda logam seperti klip penjepit kertas, koin, kunci, paku, sekrup, atau benda logam kecil lainnya yang dapat menimbulkan hubungan listrik dari satu terminal ke terminal lainnya. Menghubungkan kedua terminal baterai dengan kabel secara tidak semestinya dapat mengakibatkan luka bakar atau kebakaran.
 - d. Pemakaian yang salah bisa menyebabkan keluarnya cairan dari baterai; hindari kontak. **Jika tidak sengaja tersentuh, bilas dengan air. Jika cairan mengenai mata, carilah juga bantuan medis.** Cairan yang keluar dari baterai dapat menyebabkan iritasi atau luka bakar.

6. Servis

- a. Perkakas listrik sebaiknya diservis oleh teknisi yang berkualifikasi dan hanya menggunakan komponen pengganti yang persis sama. Hal ini akan membuat keamanan perkakas listrik selalu terjaga.

PERINGATAN TAMBAHAN UNTUK KEAMANAN PERKAKAS LISTRIK



Peringatan! Peringatan keselamatan tambahan untuk bor/obeng

- ◆ **Gunakan pelindung telinga saat menggunakan bor tumbuk.** Paparan terhadap kebisingan dapat menyebabkan kehilangan pendengaran.

- ◆ **Gunakan pegangan tambahan yang disertakan dengan alat ini.** Lepasnya kendali dapat menimbulkan cedera diri.
- ◆ **Pegangan alat listrik pada permukaan pegangan berpenyekat saat melakukan pengoperasian di mana aksesori pemotong dapat bersentuhan dengan kabel tersembunyi.**

Aksesori pemotong yang bersentuhan dengan kabel bertegangan listrik dapat mengalirkan arus listrik pada komponen logam alat listrik dan mengakibatkan sengatan listrik pada pengguna.

- ◆ **Pegang alat listrik pada permukaan pegangan berpenyekat saat menjalankan operasi di mana alat penjepit dapat bersentuhan dengan kabel tersembunyi.** Alat penjepit yang bersentuhan dengan kabel bertegangan listrik dapat mengalirkan arus listrik pada komponen logam alat listrik dan mengakibatkan sengatan listrik pada pengguna.
- ◆ **Gunakan penjepit atau cara praktis lain untuk mengencangkan dan menahan objek kerja di permukaan yang stabil.** Memegang benda dengan tangan atau disandarkan pada tubuh Anda akan membuatnya tidak stabil dan dapat mengakibatkan hilangnya kendali.
- ◆ Sebelum mengebor tembok, lantai, atau langit-langit, periksa dulu penempatan kabel dan pipa.
- ◆ Hindari menyentuh ujung mata bor segera setelah mengebor, karena bisa jadi panas.
- ◆ Tujuan penggunaan dijelaskan dalam panduan pengguna ini. Menggunakan aksesori atau peralatan tambahan, maupun mengoperasikan alat ini dengan cara yang tidak sesuai dengan yang disarankan dalam panduan pengguna ini dapat menimbulkan risiko cedera tubuh dan/ atau kerusakan benda-benda milik pribadi.

KESELAMATAN ORANG LAIN

- ◆ Alat ini tidak ditujukan untuk digunakan oleh orang (termasuk anak-anak) dengan keterbatasan kemampuan fisik, sensor, maupun mental, atau kurang pengalaman maupun pengetahuan, kecuali jika di bawah pengawasan atau menerima petunjuk tentang penggunaan peralatan oleh orang yang bertanggung jawab atas keselamatan mereka.
- ◆ Anak-anak harus diawasi agar mereka tidak bermain-main dengan peralatan ini.

Risiko-risiko lain

Risiko-risiko lain dapat timbul saat menggunakan alat, yang mungkin tidak tercantum dalam peringatan keselamatan yang disertakan. Risiko-risiko ini dapat diakibatkan oleh penyalahgunaan, penggunaan yang terlalu lama, dsb.

Sekalipun peraturan keselamatan terkait sudah diterapkan dan peralatan pengaman sudah digunakan, risiko-risiko lain tertentu tidak dapat dihindari. Ini meliputi:

- ◆ Cedera yang diakibatkan karena menyentuh komponen yang berputar/bergerak.
- ◆ Cedera yang terjadi saat mengganti komponen, pemotong, atau aksesori.
- ◆ Cedera yang diakibatkan karena penggunaan alat untuk waktu lama. Jika menggunakan alat apa pun untuk waktu yang lama, pastikan Anda mengistirahatkannya secara berkala.
- ◆ Kerusakan indera pendengaran.
- ◆ Bahaya kesehatan yang disebabkan oleh menghirup debu yang ditimbulkan oleh penggunaan alat (contoh: mengampelas kayu, khususnya kayu oak, beech, dan MDF)

Getaran

Nilai emisi getaran tertera yang dinyatakan dalam data teknis dan pernyataan kesesuaian telah diukur sesuai dengan metode uji standar yang disediakan oleh EN 60745 dan dapat digunakan untuk membandingkan satu alat dengan alat yang lain. Nilai emisi getaran yang tertera juga dapat digunakan dalam penilaian paparan awal.

Peringatan! Nilai getaran emisi selama penggunaan alat listrik yang sebenarnya mungkin berbeda dengan nilai yang tertera tergantung pada cara penggunaan alat ini. Tingkat getaran dapat meningkatkan di atas tingkat yang tertera.

Saat menilai paparan getaran untuk menentukan tindakan keselamatan yang diharuskan oleh 2002/44/EC untuk melindungi orang-orang yang secara teratur menggunakan alat listrik dalam pekerjaannya, estimasi paparan getaran harus mempertimbangkan, kondisi penggunaan sebenarnya dan cara alat tersebut digunakan, termasuk mempertimbangkan semua komponen saat sedang dioperasikan seperti ketika alat tersebut dimatikan dan ketika sedang tidak beroperasi selain mempertimbangkan waktu pemicu.

LABEL PADA ALAT

Simbol berikut beserta kode tanggal ditampilkan pada peralatan:



Peringatan! Untuk mengurangi risiko cedera, pengguna harus membaca buku petunjuk.

Petunjuk keselamatan tambahan untuk baterai dan pengisi daya (Tidak disediakan dengan alat)

Baterai

- ◆ Jangan pernah membuka baterai untuk alasan apa pun.
- ◆ Jangan paparkan baterai pada air.
- ◆ Jangan simpan di lokasi yang suhunya melebihi 40 °C.
- ◆ Lakukan pengisian daya hanya pada suhu lingkungan antara 10 °C hingga 40 °C.
- ◆ Isi ulang daya hanya menggunakan pengisi daya yang disertakan bersama alat.
- ◆ Saat membuang baterai, ikuti petunjuk yang diberikan dalam bagian “Melindungi lingkungan”.



Jangan pernah mengisi ulang daya baterai rusak.

Pengisi daya

- ◆ Gunakan pengisi daya Stanley Anda hanya untuk mengisi ulang daya baterai dalam alat yang digunakan untuknya. Baterai lain dapat meledak, menyebabkan cedera diri dan kerusakan.
- ◆ Jangan pernah mengisi ulang daya baterai yang tidak dapat diisi ulang.
- ◆ Segera ganti kabel yang rusak.
- ◆ Jangan paparkan pengisi daya pada air.
- ◆ Jangan membuka pengisi daya.
- ◆ Jangan membongkar untuk memeriksa bagian dalam pengisi daya.



Pengisi daya ini hanya ditujukan untuk penggunaan di dalam ruangan.



Baca buku petunjuk sebelum penggunaan.

Keselamatan kelistrikan



Pengisi daya ini berisolasi ganda; oleh sebab itu tidak perlu kabel arde (ground). Selalu periksa apakah voltase listrik

sudah sesuai dengan tegangan yang tercantum pada pelat spesifikasi. Jangan pernah mencoba untuk mengganti unit pengisi daya dengan steker listrik biasa.

- ◆ Jika kabel suplai rusak, kabel suplai harus diganti oleh pihak pabrik atau Pusat Servis Stanley resmi untuk menghindari bahaya.

FITUR-FITUR

Peralatan ini memiliki beberapa atau semua fitur berikut ini.

1. Sakelar kecepatan variabel
 2. Penggeser maju/mundur
 3. Gagang gerak
 4. Bantalan gagang gerak
 5. Baterai
 6. Klip ban
 7. Lampu Kerja LED
 8. Penahan mata obeng magnetis
 9. Status indikator pengisi daya
 10. Dudukan kepala
- Gambar A**
11. Pengisi daya
 12. Indikator pengisian daya

Perakitan

Peringatan! Sebelum merakit, lepas dulu baterai dari alat.

Memasang dan melepas baterai (gambar B)

- ◆ Untuk memasang baterai (5), sejajarkan dengan wadah pada alat. Sorongkan baterai masuk ke dalam wadahnya dan dorong sampai baterai terpasang dengan pas.
- ◆ Untuk melepas baterai, tekan tombol pelepas (13) dan tarik baterai keluar dari lubang.

Memasang dan melepas mata obeng atau soket (gambar C)

Alat ini dipasang dengan gagang gerak yang mudah dilepas untuk memudahkan pergantian mata obeng.

Peringatan! Pastikan bahwa alat terkunci untuk mencegah terjadinya penyalaan saklar sebelum memasang atau melepas aksesori.

- ◆ Kunci alat dengan menyatel penggeser maju/mundur (2) ke posisi tengah.
- ◆ Tarik dan tahan bantalan gagang gerak (4) menjauh dari bagian depan alat.
- ◆ Masukkan tangkai mata obeng (14) ke dalam gagang gerak (3).

- ◆ Lepaskan bantalan. Aksesori terkunci di tempatnya.

Catatan! Untuk melepaskan mata obeng/soket, ulangi langkah-langkah di atas.

Peringatan! Hanya gunakan soket tumbuk. Soket non-tumbuk dapat rusak dan menyebabkan kondisi berbahaya. Periksa soket sebelum digunakan untuk memastikan bahwa soket tidak retak.

PENGGUNAAN

Peringatan! Biarkan alat bekerja sesuai kecepatannya. Jangan dibebani berlebihan.

Mengisi ulang baterai (gambar A)

Baterai perlu diisi ulang sebelum penggunaan pertama dan setiap kali baterai tidak mampu menghasilkan daya yang memadai untuk mengerjakan pekerjaan yang sebelumnya mudah dilakukan. Baterai akan menghangat pada saat diisi ulang; ini wajar dan tidak menandakan adanya masalah.

Peringatan! Jangan isi daya baterai pada suhu sekitar di bawah 10°C atau di atas 40°C. Suhu pengisian daya yang disarankan: sekitar 24 °C.

Catatan: Pengisi daya tidak akan mengisi ulang baterai jika suhu sel di bawah kurang lebih 10 atau di atas 40 °C.

Baterai harus dibiarkan dalam pengisi daya, dan pengisi daya akan mulai mengisi ulang daya secara otomatis bilamana suhu sel menghangat atau mendingin.

- ◆ Untuk mengisi ulang baterai (5), masukkan ke dalam pengisi daya (11). Baterai hanya dapat masuk ke dalam pengisi daya pada satu sisi. Jangan dipaksa. Pastikan bahwa baterai sudah terpasang sepenuhnya pada pengisi daya.
- ◆ Pasang pengisi daya pada stopkontak dan nyalakan arus listrik.

Indikator pengisian daya (12) akan terus menerus berkedip hijau (perlahan).

Pengisian daya selesai bilamana indikator pengisian daya (12) terus menerus menyala hijau. Pengisi daya dan baterai dapat dibiarkan terhubung tanpa batas waktu dengan lampu LED. LED akan berkedip hijau (mengisi daya) karena pengisi daya terkadang mengisi daya baterai. Indikator pengisian daya (12) akan menyala selama baterai terhubung dengan pengisi daya yang terpasang pada stopkontak.

- ◆ Isi ulang baterai kosong sebelum 1 minggu. Masa pakai baterai akan menurun drastis jika disimpan dalam kondisi kosong.

Meninggalkan baterai dalam pengisi daya

Pengisi daya dan baterai dapat dibiarkan terhubung dengan lampu LED menyala tanpa batas waktu. Pengisi daya akan menjaga baterai tetap dalam kondisi baik dan terisi penuh.

Peringatan! Pastikan tombol pengunci diaktifkan untuk mencegah aktuasi sakelar sebelum melepas atau memasang baterai.

Diagnosis pengisi daya

Jika pengisi daya mendeteksi baterai yang cacat atau rusak, indikator pengisian daya (12) akan berkedip merah dengan cepat. Ikuti petunjuk di bawah ini:

- ◆ Masukkan ulang baterai (5).
- ◆ Jika indikator pengisian daya tetap berkedip merah dengan cepat, gunakan baterai lain untuk memastikan apakah proses pengisian daya berjalan dengan benar.
- ◆ Jika baterai pengganti dapat diisi ulang dengan benar, berarti baterai yang pertama itu rusak dan harus dikembalikan ke pusat layanan untuk didaur ulang.
- ◆ Jika baterai pengganti menunjukkan indikasi yang sama seperti baterai pertama, bawa pengisi daya untuk diuji di pusat layanan resmi.

Catatan: Pengujian dapat makan waktu hingga 60 menit untuk memastikan bahwa baterai itu rusak. Jika baterai terlalu panas atau terlalu dingin, LED akan berkedip merah bergantian, cepat dan lambat, satu kedipan pada tiap kecepatan, dan diulang kembali.

Memilih arah rotasi (gbr. D)

Untuk mengencangkan, gunakan rotasi maju (searah jarum jam). Untuk melonggarkan, gunakan rotasi mundur (berlawanan arah jarum jam).

- ◆ Untuk memilih rotasi maju, dorong penggeser maju/mundur (2) ke kiri.
- ◆ Untuk memilih rotasi mundur, dorong penggeser maju/mundur ke kanan.
- ◆ Untuk mengunci alat, setel penggeser maju/mundur ke posisi tengah.

Mengobeng/menyetel mur

- ◆ Pilih mata obeng/soket yang tepat untuk memasang sekrup atau mur.
- ◆ Pilih rotasi maju atau mundur seperti dijelaskan di atas.
- ◆ Pegang alat segaris dengan apitan.
- ◆ Setelah mengencangkan, periksa kopel dengan kunci pas kopel.

Lampu kerja LED

Lampu kerja LED (7) akan hidup secara otomatis bila pemacu ditekan. Lampu kerja LED akan menyala apabila pemacu ditekan sebagian, sebelum alat mulai bekerja.

Status indikator pengisi daya

Bor ini dilengkapi status indikator pengisi daya. Status ini dapat digunakan untuk menampilkan tingkat pengisian daya saat ini dalam baterai saat digunakan.

- ◆ Tekan tombol status indikator pengisian daya (9).

Petunjuk untuk penggunaan secara optimal**Mengobeng**

- ◆ Selalu gunakan tipe dan ukuran mata obeng yang benar.
- ◆ Jika sekrup sulit dikencangkan, coba olesi sedikit cairan pembersih atau sabun cair untuk melumasinya.
- ◆ Selalu pegang alat dan mata obeng lurus dengan sekrup.

PEMELIHARAAN

Alat listrik Stanley telah dirancang untuk penggunaan jangka panjang dengan pemeliharaan minimal. Pengoperasian yang memuaskan secara terus-menerus bergantung pada cara pemeliharaan yang benar dan pembersihan alat secara teratur.

Pengisi daya tidak membutuhkan perawatan lain di luar pembersihan berkala.

Peringatan! Sebelum melakukan perawatan apa pun pada alat, lepaskan dulu baterai dari alat. Lepas pengisi daya sebelum membersihkannya.

- ◆ Bersihkan celah ventilasi pada alat dan pengisi daya secara teratur dengan menggunakan sikat lembut atau lap kering.
- ◆ Bersihkan kerangka motor secara teratur dengan menggunakan kain bersih yang lembap.
Jangan gunakan bahan pembersih abrasif atau pembersih berbahan dasar larutan apa pun.
- ◆ Buka gagang secara berkala dan ketuk-ketuk untuk mengeluarkan debu dari bagian dalam alat.

Melindungi lingkungan

Pengumpulan terpisah. Produk dan baterai yang ditandai dengan simbol ini

tidak boleh dibuang bersama dengan sampah rumah tangga biasa.

Produk dan baterai berisi bahan yang dapat digunakan kembali atau didaur ulang yang mengurangi permintaan kebutuhan bahan baku. Harap mendaur ulang produk listrik dan baterai sesuai dengan ketentuan setempat.



Pengumpulan produk dan kemasan bekas secara terpisah memungkinkan bahan untuk didaur ulang dan digunakan lagi.

Penggunaan kembali bahan yang didaur ulang membantu mencegah pencemaran lingkungan dan mengurangi permintaan kebutuhan bahan baku. Beberapa pemerintah daerah mungkin mewajibkan pusat pembuangan sampah lokal atau kota atau peritel produk baru untuk memberikan layanan daur ulang produk elektronik pada rumah tangga.

Catatan

Kebijakan STANLEY adalah salah satu peningkatan yang berkelanjutan pada produk kami, dan karenanya, kami berhak mengubah spesifikasi produk tanpa pemberitahuan sebelumnya. Perlengkapan dan aksesori standar mungkin akan berbeda di setiap negara. Spesifikasi produk mungkin akan berbeda di setiap negara.

Pilihan produk lengkap mungkin tidak tersedia di semua negara. Hubungi dealer STANLEY setempat Anda untuk ketersediaan produk.

DATA TEKNIS

SBI201		
Voltase	V_{DC}	18V
Kecepatan tanpa beban	Mnt ¹	0-2700
Denyut	BPM	0-3100
Torsi maks (Metode PTI)	Nm	180
Kapasitas gagang gerak	mm	6.35(Hex)
Berat	kg	0,98 (TANPA BATERAI)

Pengisi daya		SC201	SC202
Voltase input	V_{AC}	230	230
Voltase output	V_{DC}	18	18
Bolak-Balik	mA	1000	2000
Kisaran waktu isi ulang daya	Mnt	80-240	40-120

Baterai		SCB20C	SCB20S	SCB20D	SCB20M
				STBL182	STBL184
Voltase	V_{AC}	18	18	18	18
Kapasitas	Ah	1,3	1,5	0,2	4,0
Tipe		Li-Ion	Li-Ion	Li-Ion	Li-Ion

Tingkat tekanan suara menurut EN 60745:
Tekanan suara (L_{pA}) 97 dB(A), ketidakpastian (K) 3 dB(A)
Daya suara (L_{WA}) 108 dB(A), ketidakpastian (K) 3 dB(A)

Nilai total getaran (jumlah vektor triax) menurut EN 60745:
Pengencangan dengan tumbukan ($a_{n, is}$) 12,2 m/s ² , ketidakpastian (K) 1,5 m/s ²

วัตถุประสงค์ในการใช้งาน

ไขควงกระแทก Stanley รุ่น SBI201 นี้ออกแบบมาเพื่อใช้ในการขันสกรูและติดตั้งนอต เครื่องมือนี้มีวัตถุประสงค์เพื่อการใช้งานของผู้ใช้ระดับมืออาชีพ ส่วนตัว และผู้ใช้ทั่วไป

คำแนะนำด้านความปลอดภัย

คำเตือนเพื่อความปลอดภัยสำหรับเครื่องมือไฟฟ้าทั่วไป



คำเตือน! โปรดอ่านคำเตือนและคำแนะนำเพื่อความปลอดภัยทั้งหมด การไม่ปฏิบัติตามคำเตือนและข้อปฏิบัติเหล่านี้ อาจทำให้ถูกไฟฟ้าช็อต เกิดเพลิงไหม้ และ/หรือบาดเจ็บสาหัสได้

โปรดเก็บรักษาคำเตือนและคำแนะนำทั้งหมดนี้ไว้เพื่อการอ้างอิงในอนาคต คำว่า "เครื่องมือไฟฟ้า" ในคำเตือนทั้งหมดที่แสดงไว้ด้านล่าง หมายถึงเครื่องมือไฟฟ้าที่ทำงานผ่านสายเมน (แบบมีสาย) หรือเครื่องมือไฟฟ้าที่ทำงานด้วยแบตเตอรี่ (แบบไร้สาย)

1. ความปลอดภัยในบริเวณที่ทำงาน

- ก) รักษาความสะอาดและจัดให้มีแสงสว่างเพียงพอในบริเวณที่ทำงาน บริเวณที่มีดหรือมีของวางระเกะระกะอาจทำให้เกิดอุบัติเหตุได้
- ข) ห้ามใช้เครื่องมือไฟฟ้าในบริเวณที่อาจเกิดการระเบิด เช่น ในสถานที่ที่มีของเหลว แก๊ส หรือฝุ่นละอองที่มีคุณสมบัติไวไฟ เครื่องมือไฟฟ้าจะทำให้เกิดประกายไฟที่อาจทำให้เกิดละอองไฟหรือเปลวไฟขึ้นได้
- ค) ระวังไม่ให้เด็กเล็กและคนเดินผ่านไปมาเข้าใกล้ในขณะที่ใช้งานเครื่องมือไฟฟ้า สิ่งรบกวนอาจทำให้คุณเสียสมาธิได้

2. ความปลอดภัยทางไฟฟ้า

- ก) ปลั๊กไฟของเครื่องต้องเป็นชนิดเดียวกับเต้ารับ ห้ามต่อแปลงปลั๊กไม่ว่าด้วยวิธีใด ห้ามใช้ปลั๊กอะแดปเตอร์ใดๆ กับเครื่องมือไฟฟ้าที่ต่อสายดิน (ลงกราวด์) ปลั๊กที่ไม่มีการตัดแปลงและเต้ารับชนิดเดียวกันจะช่วยลดความเสี่ยงจากการถูกไฟฟ้าช็อต
- ข) หลีกเลี่ยงการสัมผัสพื้นผิวที่ต่อสายดินหรือลงกราวด์ เช่น ท่อ หม้อน้ำ เตาแก๊ส และตู้เย็น ความเสี่ยงที่จะถูกไฟฟ้าช็อตจะเพิ่มขึ้นหากร่างกายของคุณเป็นสื่อเชื่อมต่อลงดิน
- ค) อย่าให้เครื่องมือไฟฟ้าถูกฝนหรือเปียกน้ำ น้ำที่เข้าเครื่องมือไฟฟ้าจะเพิ่มความเสี่ยงในการเกิดไฟฟ้าช็อต
- ง) ห้ามใช้สายไฟผิดวัตถุประสงค์ ห้ามใช้สายไฟเพื่อการหิ้ว ดึง หรือถอดปลั๊กเครื่องมือไฟฟ้า เก็บสายไฟให้พ้นจากความร้อน น้ำมัน ของมีคม หรือชิ้นส่วนที่ก้ำกึ่งเคลื่อนที่ สายไฟที่ขาดหรือพันกันเป็นการเพิ่มความเสี่ยงต่อการเกิดไฟฟ้าช็อต

จ) เมื่อใช้เครื่องมือไฟฟ้านอกอาคาร ให้ใช้สายต่อพ่วงที่เหมาะสมสำหรับการใช้งานนอกอาคาร การใช้สายไฟที่เหมาะสมสำหรับการใช้งานนอกอาคารจะช่วยลดความเสี่ยงต่อการเกิดไฟฟ้าช็อต

ฉ) หากไม่สามารถหลีกเลี่ยงการใช้เครื่องมือไฟฟ้าในบริเวณที่ชื้นและได้ ให้ใช้อุปกรณ์ป้องกันไฟดูด (RCD) การใช้ RCD จะช่วยลดความเสี่ยงในการถูกไฟฟ้าช็อต

3. ความปลอดภัยส่วนบุคคล

- ก) ตื่นตัวและมีสมาธิกับสิ่งที่คุณกำลังทำ รวมทั้งใช้สามัญสำนึกในขณะที่กำลังใช้งานเครื่องมือไฟฟ้า ห้ามใช้เครื่องมือไฟฟ้าในขณะที่คุณกำลังเหนื่อยหรือได้รับอิทธิพลจากยา แอลกอฮอล์ หรือการรักษาบางอย่าง การขาดความระมัดระวังในการใช้เครื่องมือไฟฟ้าแม้ชั่วขณะหนึ่งอาจทำให้บาดเจ็บสาหัสได้
- ข) ใช้อุปกรณ์คุ้มครองความปลอดภัยส่วนบุคคลสวมอุปกรณ์ป้องกันดวงตาเสมอ อุปกรณ์ป้องกัน เช่น หน้ากากกันฝุ่น รองเท้านิรภัยกันสนิม หมวกนิรภัย หรืออุปกรณ์ป้องกันเสียงดังสำหรับสภาพที่เหมาะสม จะช่วยลดอาการบาดเจ็บทางร่างกาย
- ค) ป้องกันเครื่องเปิดทำงานโดยไม่ตั้งใจ สวิตช์ต้องอยู่ในตำแหน่งปิดก่อนที่จะเสียบปลั๊กเข้ากับแหล่งจ่ายไฟ และ/หรือ ชดแบตเตอรี่ หรือถอดจอยกหรือหัวเครื่องมือ การยกเครื่องมือไฟฟ้าในขณะที่นิ้วอยู่ที่สวิตช์ หรือใช้เครื่องมือไฟฟ้าที่สวิตช์เปิดอยู่ อาจทำให้เกิดอุบัติเหตุได้
- ง) ถอดกุญแจปรับตั้งหรือปรับแฉกก่อนเปิดสวิตช์ เครื่องมือไฟฟ้า ประแจหรือกุญแจที่เสียบค้างอยู่ในชิ้นส่วนที่หมุนได้ของเครื่องมือไฟฟ้าอาจทำให้เกิดการบาดเจ็บได้
- จ) ห้ามยื่นแขนเข้าขณะใช้เครื่อง ควรยืนในท่าที่เหมาะสมและสมดุลตลอดเวลา เพื่อช่วยในการควบคุมเครื่องมือไฟฟ้าได้ดียิ่งขึ้นในสถานการณ์ที่ไม่คาดคิด
- ฉ) แต่งกายให้เหมาะสม ห้ามสวมเสื้อผ้าหลวมหรือใส่เครื่องประดับ รวมผม ชายเสื่อ และถุงมือให้ห่างจากชิ้นส่วนที่กำลังหมุน เสื้อผ้าที่หลวมหรือยาวรุ่มร่าม เครื่องประดับ หรือผมที่ยาวอาจเข้าไปพันกับชิ้นส่วนที่กำลังหมุน
- ช) หากมีอุปกรณ์ใส่หุ้มหูและเก็บฝุ่น ต้องตรวจสอบให้แน่ใจว่าใส่เชื่อมต่อและใช้งานอุปกรณ์นั้นอย่างเหมาะสม การใช้อุปกรณ์เก็บฝุ่นจะช่วยลดอันตรายที่เกี่ยวข้องกับฝุ่นได้

4. การใช้และการดูแลรักษาเครื่องมือไฟฟ้า

- ก) ห้ามฝืนใช้เครื่องมือไฟฟ้า เลิกใช้เครื่องมือไฟฟ้าที่ถูกต้องตรงกับลักษณะการใช้งานของคุณ เครื่องมือไฟฟ้าที่ถูกต้องย่อมทำงานได้ดีกว่าและปลอดภัยกว่า เมื่อใช้งานตามฟังก์ชันที่เครื่องมือได้รับการออกแบบมา
- ข) ห้ามใช้เครื่องมือไฟฟ้าถ้าสวิตช์เปิดปิดเครื่องไม่ทำงาน เครื่องมือไฟฟ้าที่ไม่สามารถควบคุมผ่านสวิตช์ได้ ถือว่ามีอันตรายและต้องส่งซ่อม

- ค) ถอดปลั๊กของเครื่องมีไฟฟ้าออกจากแหล่งจ่ายไฟ และ/หรือ แบตเตอรี่ก่อนทำการปรับแต่ง เปลี่ยนอุปกรณ์เสริม หรือจัดเก็บ มาตรการเพื่อความปลอดภัยเชิงป้องกันจะช่วยลดความเสี่ยงในการพลัดเปิดเครื่องให้ทำงานโดยไม่ตั้งใจ
- ง) เก็บเครื่องมือไฟฟ้าที่ไม่ได้ใช้งานไว้ให้พ้นมือเด็ก และไมอนุญาตให้บุคคลที่ไม่คุ้นเคยกับเครื่องมือไฟฟ้าหรือข้อปฏิบัติเหล่านี้เป็นผู้ใช้เครื่องมือไฟฟ้าจะเป็นอันตรายหากอยู่ในมือผู้ใช้ที่ไม่ผ่านการฝึกอบรม
- จ) บำรุงรักษาเครื่องมือไฟฟ้า ตรวจสอบว่าชิ้นส่วนที่เคลื่อนที่ได้มีการวางไม่ตรงแนวหรือติดขัดหรือไม่มีชิ้นส่วนที่แตกหัก และสภาพอื่นใดที่อาจส่งผลกระทบต่อการทำงานของเครื่องมือไฟฟ้าหรือไม่เหมาะสมต่อการใช้งาน ให้นำเครื่องไม่ใส่ช่องก่อนนำมาใช้ อุบัติเหตุจำนวนมากเกิดจากการดูแลรักษาเครื่องมือไฟฟ้าไม่ดีพอ
- ฉ) เครื่องมีตัดต้องคมและสะอาดอยู่เสมอ เครื่องมีที่ตัดที่ได้รับการดูแลรักษาอย่างถูกต้อง และมีขอบตัดคม จะมีคุณภาพตัดชัดเจน และควบคุมได้ง่ายกว่า
- ช) ใช้เครื่องมือไฟฟ้า อุปกรณ์เสริม และชุดอุปกรณ์ต่างๆ ให้สอดคล้องกับข้อปฏิบัติเหล่านี้ โดยพิจารณาถึงสภาพการทำงานและงานที่ทำเป็นสำคัญ การใช้เครื่องมือไฟฟ้าทำงานอื่นนอกเหนือจากที่กำหนดไว้อาจทำให้เกิดอันตรายได้

5. การใช้และการดูแลรักษาแบตเตอรี่

- ก) ชาร์จแบตเตอรี่ด้วยเครื่องชาร์จที่ผู้ผลิตแนะนำเท่านั้น เครื่องชาร์จที่เหมาะสมกับแบตเตอรี่แบบหนึ่งอาจทำให้เกิดไฟไหม้ได้ถ้านำมาใช้กับแบตเตอรี่อีกแบบหนึ่ง
- ข) ใช้เครื่องมือไฟฟ้าเฉพาะกับก้อนแบตเตอรี่ที่ออกแบบมาเป็นพิเศษเท่านั้น การใช้แบตเตอรี่แบบอื่นอาจทำให้เกิดการบาดเจ็บหรือเกิดไฟไหม้ได้
- ค) เมื่อไม่ได้ใช้ก้อนแบตเตอรี่ ให้เก็บออกห่างจากรัดกอื่น ๆ ที่เป็นโลหะ เช่น คลิปหนีบกระดาษ เหรียญ กุญแจ เข็ม สกรูหรือวัตถุขนาดเล็กอื่นๆ ที่ห่างไกลโลหะที่อาจทำให้เกิดการเชื่อมต่อจากขั้วหนึ่งไปยังอีกขั้วหนึ่ง การลัดวงจรบริเวณขั้วแบตเตอรี่อาจทำให้เกิดรอยไหม้หรือไฟไหม้ได้
- ง) เมื่ออยู่ภายใต้สภาวะที่ไม่เหมาะสมอาจมีของเหลวไหลออกมาจากแบตเตอรี่ ให้หลีกเลี่ยงการสัมผัสกับของเหลวนี้ หากไปสัมผัสโดยไม่ตั้งใจ ให้ล้างด้วยน้ำปริมาณมาก หากของเหลวกระเด็นเข้าตา ควรรีบไปพบแพทย์ ของเหลวที่ออกมาจากแบตเตอรี่อาจทำให้เกิดอาการระคายเคืองหรือรอยไหม้ได้

6. การบริการ

- ก) ให้ช่างซ่อมที่มีความเชี่ยวชาญเป็นผู้ซ่อมเครื่องมือ และใช้ช่างไหลแก้เท่านั้น ซึ่งจะช่วยให้อุ่นใจได้ว่าเครื่องมือไฟฟ้ายังมีความปลอดภัยอยู่

คำเตือนเพื่อความปลอดภัยเพิ่มเติมสำหรับการใช้เครื่องมือไฟฟ้า



คำเตือน! คำเตือนด้านความปลอดภัยเพิ่มเติมสำหรับสว่าน/ไขควงไฟฟ้า

- ◆ สวมใส่อุปกรณ์ป้องกันเสียงดังเมื่อทำงานเจาะ กระแทก การเผชิญกับเสียงดังมากๆ อาจทำให้สูญเสียความสามารถในการได้ยิน
- ◆ ใช้มือจับเสริมที่ให้มาพร้อมกับเครื่อง การสูญเสียการควบคุมเครื่องอาจทำให้ได้รับบาดเจ็บได้
- ◆ จับเครื่องมือไฟฟ้าตรงที่พื้นผิวส่วนที่ใช้จับซึ่งมีฉนวนป้องกันเท่านั้น เมื่อต้องใช้งานเครื่องในบริเวณที่อุปกรณ์เสริมสำหรับการตัดอาจสัมผัสถูกสายไฟที่ซ่อนอยู่ได้ อุปกรณ์เสริมสำหรับงานตัดที่สัมผัสถูกสายไฟ "ที่มีไฟฟ้า" อาจทำให้ส่วนที่เป็นโลหะของเครื่องที่ถูกสัมผัส "มีไฟฟ้า" และทำให้ผู้ใช้เครื่องถูกไฟฟ้ายึดได้
- ◆ จับเครื่องมือไฟฟ้าที่พื้นผิวส่วนที่ใช้จับซึ่งมีฉนวนป้องกันเท่านั้น เมื่อใช้งานเครื่องกับงานที่ด้วยยึดอาจสัมผัสกับสายไฟที่ซ่อนอยู่ ด้วยยึดที่สัมผัสกับสายไฟ "ที่มีไฟฟ้า" อาจทำให้ส่วนของโลหะที่ถูกสัมผัส "มีไฟฟ้า" และทำให้ผู้ใช้เครื่องถูกไฟดูดได้
- ◆ ใช้ตัวจับขึ้นงานหรือวิธีอื่นๆ ที่ได้ผลเพื่อยึดและหมุนชิ้นงานบนแท่นที่มั่นคง การใช้มือจับหรือให้ชิ้นงานพิงกับตัวจะไม่มีแรงและอาจทำให้สูญเสียการควบคุมได้
- ◆ ก่อนเจาะผนัง พื้น หรือเพดาน ให้ตรวจสอบตำแหน่งสายไฟและท่อน้ำ
- ◆ หลีกเลี่ยงการสัมผัสปลายดอกสว่านหลังจากเพิ่งเจาะเสร็จ เนื่องจากดอกสว่านอาจจะมีความร้อนหลงเหลืออยู่
- ◆ วัตถุประสงค์ในการใช้งานได้อธิบายไว้ในคู่มือแนะนำการใช้งานฉบับนี้ การใช้งานอุปกรณ์เสริมหรืออุปกรณ์ต่อพ่วง หรือการใช้งานอื่นใดกับเครื่องมือนี้ นอกเหนือจากที่ได้แนะนำไว้ในคู่มือการใช้งานนี้ อาจทำให้เกิดความเสี่ยงต่อการบาดเจ็บ และ/หรือความเสียหายต่อทรัพย์สินได้

ความปลอดภัยของบุคคลอื่น

- ◆ เครื่องมีนี้ไม่ได้มีไว้เพื่อการใช้งานโดยบุคคล (ซึ่งรวมถึงผู้เยาว์) ที่มีความบกพร่องทางร่างกาย ทางการรับความรู้สึก หรือทางจิตประสาท หรือขาดประสบการณ์และความรู้ เว้นเสียแต่จะได้รับการควบคุมดูแลหรือคำแนะนำการใช้เครื่องมือโดยผู้ที่รับผิดชอบต่อความปลอดภัยของบุคคลเหล่านั้น
- ◆ เด็กควรได้รับการควบคุมดูแลเพื่อให้แน่ใจว่าเด็กจะไม่เล่นเครื่องมือ

ความเสี่ยงอื่นๆ ที่ยังมีอยู่

ความเสี่ยงอื่นๆ ที่ไม่ได้ระบุในคำเตือนเพื่อความปลอดภัยนี้ อาจเกิดขึ้นได้เมื่อใช้เครื่องมือ ความเสี่ยงเหล่านี้ อาจ

เกิดขึ้นจากการใช้อย่างไม่ถูกต้อง การใช้เป็นเวลานาน เป็นต้น

แม้ว่าจะปฏิบัติตามข้อกำหนดด้านความปลอดภัยที่เกี่ยวข้อง และใช้อุปกรณ์นิรภัย แต่ความเสี่ยงอื่นๆ ที่ยังมีอยู่บางอย่างก็ไม่สามารถหลีกเลี่ยงได้ ความเสี่ยงเหล่านั้นได้แก่:

- ◆ การบาดเจ็บที่เกิดจากการสัมผัสชิ้นส่วนที่หมุน/เคลื่อนที่
- ◆ การบาดเจ็บที่เกิดขึ้นขณะเปลี่ยนชิ้นส่วน ใบมีด หรืออุปกรณ์เสริม
- ◆ การบาดเจ็บที่เกิดจากการใช้เครื่องมือเป็นเวลานาน เมื่อใช้เครื่องมือเป็นระยะเวลาสั้น ต้องแน่ใจว่าคุณได้หยุดพักเป็นระยะ
- ◆ ความบกพร่องในการได้ยินเสียง
- ◆ อันตรายต่อสุขภาพที่เกิดจากการสูดดมฝุ่นจากการใช้เครื่องมือ (ตัวอย่างเช่น การทำงานกับไม้ โดยเฉพาะไม้ไผ่ ไม้บีช และไม้ MDF)

การสันสะเทือน

ค่าการปล่อยแรงสั่นสะเทือนที่ระบุไว้ในข้อมูลทางเทคนิคและคำประกาศเรื่องความปลอดภัยของคุณได้รับการตรวจวัดตามวิธีการทดสอบมาตรฐานที่ให้ไว้ตาม EN 60745 ทั้งนี้อาจนำมาใช้เพื่อเปรียบเทียบเครื่องมือนิดหนึ่งกับเครื่องมืออีกชนิดหนึ่งได้ ค่าการปล่อยแรงสั่นสะเทือนที่ระบุไว้ อาจนำมาใช้สำหรับการประเมินผลเบื้องต้นของการสันสะเทือนก็ได้

คำเตือน! ค่าการปล่อยแรงสั่นสะเทือนในระหว่างการใช้งานจริงของเครื่องมือไฟฟ้าอาจแตกต่างจากค่าที่ระบุไว้ โดยขึ้นอยู่กับวิธีการใช้เครื่องมือ ระดับการสันสะเทือนอาจเพิ่มขึ้นสูงกว่าระดับที่ระบุไว้

เมื่อจะประเมินการสันสะเทือนที่ได้รับเพื่อกำหนดมาตรการเพื่อความปลอดภัยตามที่ 2002/44/EC กำหนดไว้ เพื่อป้องกันบุคลากรที่ใช้เครื่องมือไฟฟ้าเป็นประจำในการทำงาน การประเมินการสันสะเทือนที่ได้รับควรพิจารณาสถานะที่เป็นจริงของการทำงานและวิธีการใช้งานเครื่องมือดังกล่าว รวมทั้งพิจารณาถึงส่วนต่างๆ ทั้งหมดของรอบการทำงาน เช่น จำนวนครั้งที่ปิดสวิตช์เครื่องมือ และขณะปล่อยให้เครื่องทำงานแต่ไม่ได้ใช้งานใดๆ นอกเหนือจากช่วงเวลาการกระตุกการทำงาน

ป้ายบนเครื่องมือ

สัญลักษณ์ต่อไปนี้จะปรากฏบนเครื่องมือพร้อมทั้งรหัสวันที่:



คำเตือน! เพื่อลดความเสี่ยงต่อการบาดเจ็บ ผู้ใช้ต้องอ่านคู่มือการใช้งานเล่มนี้

คำแนะนำเพื่อความปลอดภัยเพิ่มเติมสำหรับแบตเตอรี่และเครื่องชาร์จ (ไม่ได้ให้มาพร้อมกับอุปกรณ์)

แบตเตอรี่

- ◆ ห้ามพยายามแกะตัวแบตเตอรี่ในทุกกรณี
- ◆ อย่าให้แบตเตอรี่สัมผัสน้ำ
- ◆ ห้ามเก็บแบตเตอรี่ในสถานที่อุณหภูมิอาจสูงเกิน 40°C
- ◆ ชาร์จแบตเตอรี่ที่อุณหภูมิห้องระหว่าง 10°C ถึง 40°C เท่านั้น
- ◆ ชาร์จแบตเตอรี่ด้วยเครื่องชาร์จที่ให้มาพร้อมอุปกรณ์เท่านั้น
- ◆ เมื่อจะทิ้งแบตเตอรี่ ให้ทำตามคำแนะนำในส่วน "การปกป้องสิ่งแวดล้อม"



อย่าพยายามชาร์จแบตเตอรี่ที่ชำรุดเสียหาย

เครื่องชาร์จ

- ◆ ใช้เครื่องชาร์จ Stanley เพื่อชาร์จแบตเตอรี่ภายในอุปกรณ์ที่ให้มาพร้อมกันเท่านั้น การชาร์จแบตเตอรี่ชนิดอื่นๆ อาจทำให้แบตเตอรี่ระเบิดและเกิดการบาดเจ็บและความเสียหายได้
- ◆ ห้ามชาร์จแบตเตอรี่ชนิดชาร์จซ้ำไม่ได้
- ◆ เปลี่ยนสายไฟที่ชำรุดทันที
- ◆ อย่าให้เครื่องชาร์จสัมผัสน้ำ
- ◆ ห้ามแกะเปิดเครื่องชาร์จ
- ◆ ห้ามใช้สิ่งใดหย�เข้าไปในตัวเครื่องชาร์จ



เครื่องชาร์จนี้มีวัตถุประสงค์เพื่อการใช้งานในร่มเท่านั้น



โปรดอ่านคู่มือการใช้งานก่อนใช้เครื่อง

ความปลอดภัยทางไฟฟ้า



เครื่องมือนี้มีฉนวนสองชั้น ดังนั้นจึงไม่จำเป็นต้องต่อสายดิน ต้องตรวจสอบกำลังไฟเพื่อให้ตรงกับแรงดันไฟฟ้าบนแผ่นแสดงพิกัดเสมอ ห้ามเปลี่ยนสายปลั๊กไฟของเครื่องชาร์จเป็นสายปลั๊กไฟธรรมดาโดยเด็ดขาด

- ◆ ถ้าสายไฟของตัวเครื่องชำรุดเสียหาย ต้องเปลี่ยนโดยผู้ผลิตหรือศูนย์บริการของ Stanley ที่ได้รับอนุญาต เพื่อหลีกเลี่ยงอันตรายที่อาจเกิดขึ้นได้

ส่วนประกอบสำคัญ

เครื่องมือนี้มีส่วนประกอบบางอย่างหรือทั้งหมดต่อไปนี้

1. สวิตช์ปรับระดับความเร็ว
2. ปุ่มเลื่อนเดินหน้า/ถอยหลัง
3. ตัวจับดอกไขควง
4. ปลอกหัวจับดอกไขควง
5. แบตเตอรี่
6. ตัวยึดเข็มขัด
7. ไฟ LED แสดงการทำงาน
8. แม่เหล็กยึดดอกไขควง

9. ไฟแสดงสถานะแบตเตอรี่
 10. ที่ใส่ดอกไขควง
- รูป A**
11. เครื่องชาร์จ
 12. ไฟแสดงสถานะการชาร์จ

การประกอบ

คำเตือน! ต้องถอดแบตเตอรี่ออกจากเครื่องมือก่อนการประกอบ

การติดตั้งและการถอดแบตเตอรี่ (รูป B)

- ◆ เมื่อจะประกอบแบตเตอรี่ (5) ให้จัดตำแหน่งแบตเตอรี่ให้ตรงกับเข็รับของเครื่องมือ จากนั้นเลื่อนแบตเตอรี่เข้าไปในเข็รับจนกระทั่งแบตเตอรี่ล็อกเข้าที่
- ◆ เมื่อจะถอดแบตเตอรี่ ให้กดปุ่มปลดล็อก (13) พร้อมกับดึงแบตเตอรี่ออกจากเข็รับ

การประกอบและถอดดอกหรือเข้าไขควง (รูป C)

อุปกรณ์นี้ติดตั้งตัวจับดอกแบบปล่อยได้เร็วเพื่อให้สามารถเปลี่ยนดอกไขควงได้ง่าย

คำเตือน! ตรวจสอบให้แน่ใจว่าเครื่องมือมีลอคอยู่เพื่อป้องกันการเปิดสวิตช์เครื่องมือก่อนการติดตั้งหรือถอดอุปกรณ์เสริม

- ◆ การลอคเครื่องมือทำได้โดยการเลื่อนปุ่มเลื่อนด้านหลัง/ถอยหลัง (2) ไปที่ตำแหน่งกึ่งกลาง
- ◆ ดึงปลอกตัวจับดอกไขควง (4) ออกไปทางด้านหน้าของอุปกรณ์ตัวไว้
- ◆ สอดแกนดอกไขควง (14) เข้าไปในตัวจับดอกไขควง (3)
- ◆ ปล่อยให้ปลอก อุปกรณ์เสริมจะลอคเข้าที่

หมายเหตุ! หากต้องการถอดดอก/เข้าไขควงออก ให้ทำขั้นตอนด้านบนซ้ำ

คำเตือน! ใช้เข้าไขควงแบบกระแทกเท่านั้น เข้าไขควงแบบไม่กระแทกอาจแตกหักหรือก่อให้เกิดสภาพที่เป็นอันตรายได้ ตรวจสอบเข้าไขควงก่อนใช้งานเพื่อให้แน่ใจว่าอุปกรณ์ดังกล่าวไม่มีรอยแตก

การใช้งาน

คำเตือน! ปล่อยให้เครื่องมือทำงานตามความเร็วของเครื่อง ห้ามใช้งานเกินกำลัง

การชาร์จแบตเตอรี่ (รูป A)

แบตเตอรี่ต้องการการชาร์จไฟก่อนการใช้งานครั้งแรก และทุกครั้งเมื่อแบตเตอรี่ไม่สามารถจ่ายพลังงานได้เพียงพอสำหรับงานที่เคยทำได้โดยง่าย แบตเตอรี่อาจอุ่นขึ้นระหว่างการชาร์จ ซึ่งถือเป็นเรื่องปกติและไม่ใช่วัตถุประสงค์ของการผิดปกติ

คำเตือน! ห้ามชาร์จแบตเตอรี่ในอุณหภูมิห้องที่ต่ำกว่า 10 °C หรือสูงกว่า 40 °C อุณหภูมิการชาร์จที่แนะนำ: ประมาณ 24 °C

หมายเหตุ: เครื่องชาร์จจะไม่ชาร์จแบตเตอรี่หากอุณหภูมิของแบตเตอรี่ต่ำกว่าประมาณ 10 °C หรือสูงกว่า 40 °C

ให้ทิ้งแบตเตอรี่ไว้ในเครื่องชาร์จ แล้วเครื่องชาร์จจะเริ่มชาร์จไฟเองโดยอัตโนมัติเมื่ออุณหภูมิของแบตเตอรี่อุ่นขึ้นหรือเย็นลง

- ◆ เมื่อจะชาร์จแบตเตอรี่ (5) ให้ใส่แบตเตอรี่ลงในเครื่องชาร์จ (11) แบตเตอรี่สามารถประกอบเข้ากับเครื่องชาร์จได้เพียงวิธีเดียว ไม่ต้องใช้แรงฝืนกด รวมทั้งตรวจสอบให้แน่ใจว่าแบตเตอรี่ประกอบเข้ากับเครื่องชาร์จสนิทแล้ว
- ◆ เลียบปลั๊กเครื่องชาร์จและเปิดสวิตช์ที่แหล่งจ่ายไฟหลัก

ไฟแสดงการชาร์จ (12) จะกะพริบเป็นสีเขียวอย่างต่อเนื่อง (ซ้ำๆ)

การชาร์จเสร็จสิ้นเมื่อไฟแสดงการชาร์จ (12) เป็นสีเขียวตลอดเวลา การต่อแท่นชาร์จกับแบตเตอรี่นั้นสามารถปล่อยให้เชื่อมต่อไปไม่จำกัดเวลาโดยที่ไฟ LED ติดสว่างไฟ LED จะเปลี่ยนสถานะเป็นไฟสีเขียวกะพริบ (กำลังชาร์จ) เมื่อการชาร์จเต็มประจุให้แบตเตอรี่เป็นระยะ ไฟแสดงสถานะการชาร์จ (12) จะสว่างตลอดเวลาทราบเท่าที่แบตเตอรี่ยังคงเชื่อมต่อไปกับแท่นชาร์จที่เสียบปลั๊กไฟไว้

- ◆ ชาร์จแบตเตอรี่ที่ไม่มีประจุภายใน 1 สัปดาห์ อายุการใช้งานแบตเตอรี่จะลดลงอย่างรวดเร็วหากเก็บรักษาไว้ในสภาพไม่มีประจุ

การทิ้งแบตเตอรี่ไว้ในเครื่องชาร์จ

การต่อเครื่องชาร์จกับแบตเตอรี่นั้นสามารถปล่อยให้เชื่อมต่อได้ไม่จำกัดเวลาโดยที่ไฟ LED ติดสว่าง เครื่องชาร์จจะรักษาแบตเตอรี่และชาร์จไฟไว้ให้เต็มอยู่เสมอ

คำเตือน! ตรวจสอบให้แน่ใจว่าปุ่มลอคทำงานอยู่เพื่อป้องกันการเปิดสวิตช์เครื่องมือก่อนการถอดหรือติดตั้งแบตเตอรี่

การวินิจฉัยเครื่องชาร์จ

หากเครื่องชาร์จตรวจพบแบตเตอรี่ที่มีกำลังไฟอ่อนหรือชาร์จเสียหาย ไฟแสดงสถานะการชาร์จ (12) จะกะพริบไฟสีแดงๆ ปฏิบัติตามขั้นตอนต่อไปนี้:

- ◆ ถอดแบตเตอรี่ (5) ออกและใส่เข้าไปใหม่อีกครั้ง
- ◆ หากไฟแสดงสถานะการชาร์จยังคงกะพริบไฟสีแดงๆ อยู่ ให้เปลี่ยนแบตเตอรี่ก้อนอื่นเพื่อทดสอบว่ากระบวนการชาร์จยังทำงานปกติดีอยู่หรือไม่
- ◆ หากแบตเตอรี่ที่นำมาเปลี่ยนสามารถชาร์จได้ตามปกติ หมายความว่าแบตเตอรี่ก้อนเดิมนั้นเสื่อมสภาพแล้วและควรส่งคืนศูนย์บริการเพื่อนำไปรีไซเคิล
- ◆ หากแบตเตอรี่ก้อนใหม่แสดงสถานะการชาร์จแบบเดียวกันกับก้อนเดิม ให้นำเครื่องชาร์จไปทดสอบที่ศูนย์บริการที่ผ่านการรับรอง

หมายเหตุ: การประเมินการเสื่อมสภาพของแบตเตอรี่อาจต้องใช้เวลานานถึง 60 นาที หากแบตเตอรี่ร้อนหรือเย็นเกินไป ไฟ LED จะกะพริบไฟสีแดงสลับขาวและเร็วอย่างละหนึ่งครั้งไปเรื่อยๆ

การเลือกทิศทางรถหมุน (รูป D)

สำหรับการขันแน่น ให้ใช้การหมุนไปด้านหน้า (ตามเข็มนาฬิกา) สำหรับการขันคลาย ให้ใช้การหมุนย้อนกลับ (ทวนเข็มนาฬิกา)

- ◆ ถ้าต้องการเลือกให้หมุนไปด้านหน้า ให้ดันปุ่มเลื่อนเดินหน้า/ถอยหลัง (2) ไปทางด้านซ้าย
- ◆ ถ้าต้องการเลือกให้หมุนย้อนกลับ ให้ดันปุ่มเลื่อนเดินหน้า/ถอยหลังไปทางด้านขวา
- ◆ ถ้าต้องการล็อคเครื่องมือ ให้ตั้งปุ่มเลื่อนเดินหน้า/ถอยหลังไปที่ตำแหน่งกึ่งกลาง

การขันสกรู / ติดตั้งน็อต

- ◆ เลือกดอก / เบ้าไขควงที่เหมาะสมกับสกรูหรือน็อตที่จะขัน
- ◆ เลือกการหมุนไปด้านหน้าหรือย้อนกลับตามที่อธิบายไว้ด้านบน
- ◆ จับเครื่องมือให้ตรงแนวกับสกรูยึด
- ◆ หลังจากขันแน่นแล้ว ให้ตรวจสอบแรงบิดด้วยประแจวัดแรงบิด

ไฟ LED แสดงการทำงาน

ไฟ LED แสดงการทำงาน (7) จะทำงานโดยอัตโนมัติเมื่อกดสวิตช์บังคับการทำงาน ไฟ LED แสดงการทำงานจะเริ่มติดสว่างเมื่อสวิตช์บังคับการทำงานถูกกดลงเล็กน้อย ก่อนที่อุปกรณ์จะเริ่มทำงาน

ไฟแสดงสถานะแบตเตอรี่

เครื่องมือนี้ไฟแสดงสถานะของการชาร์จ ซึ่งสามารถใช้แสดงระดับประจุของแบตเตอรี่ในปัจจุบันทั้งในขณะที่ใช้งาน

- ◆ กดปุ่มไฟแสดงสถานะแบตเตอรี่ (9)

คำแนะนำเพื่อการใช้งานอย่างเหมาะสม

การขันสกรู

- ◆ ใช้ดอกไขควงให้ถูกประเภทและถูกขนาดเสมอ
- ◆ หากสกรูขันได้ยาก ให้ลองทาน้ำสบูเป็นสารหล่อลื่นเล็กน้อย
- ◆ จับเครื่องมือและดอกไขควงให้อยู่ในแนวเดียวกับสกรูเสมอ

การบำรุงรักษา

เครื่องมือ Stanley ออกแบบมาเพื่อให้สามารถใช้งานไต่ยาวนานต่อเนื่องโดยมีการบำรุงรักษาที่น้อยที่สุด การทำงานที่สร้างความพึงพอใจอย่างต่อเนื่องจะขึ้นอยู่กับ การดูแลรักษาที่เหมาะสมและการทำความสะอาดอย่างสม่ำเสมอ

เครื่องมือชาร์จไม่ต้องการการดูแลพิเศษอื่นใดนอกเหนือจากการทำความสะอาดเป็นประจำ

คำเตือน! ก่อนดำเนินการบำรุงรักษาเครื่องมือ ให้ถอดแบตเตอรี่ออกจากเครื่องมือก่อน ถอดปลั๊กเครื่องชาร์จออกก่อนจะทำความสะอาด

- ◆ ทำความสะอาดของระบายนอากาศในเครื่องมือและเครื่องชาร์จของคุณเป็นประจำโดยใช้แปรงขนอ่อนหรือผ้าแห้ง
- ◆ ทำความสะอาดตัวมอเตอร์เป็นประจำโดยใช้ผ้าชุบน้ำบิดหมาด ห้ามใช้น้ำยาทำความสะอาดที่มีฤทธิ์กัดกร่อนหรือมีส่วนผสมของตัวทำละลาย
- ◆ เปิดตัวจับดอกไขควงออกมาเคาะเป็นประจำเพื่อกำจัดฝุ่นที่ติดอยู่ภายใน

การปกป้องสิ่งแวดล้อม



การเก็บรวบรวมแบบคัดแยก ห้ามทิ้งผลิตภัณฑ์และแบตเตอรี่ที่มีสัญลักษณ์นี้รวมกันขยะในครัวเรือนปกติ

ผลิตภัณฑ์และแบตเตอรี่ประกอบด้วยวัสดุที่สามารถนำกลับมาใช้ใหม่หรือรีไซเคิลได้ เพื่อลดความต้องการวัตถุดิบ โพรตริไซเคิลอุปกรณ์ไฟฟ้าและแบตเตอรี่ตามข้อบังคับในท้องถิ่น



การเก็บรวบรวมแบบคัดแยกสำหรับบรรจุภัณฑ์และผลิตภัณฑ์ที่ใช้แล้วทำให้สามารถรีไซเคิลวัสดุและนำมาใช้งานอีกครั้ง

การนำวัสดุรีไซเคิลมาใช้อีกครั้งจะช่วยป้องกันมลพิษต่อสิ่งแวดล้อมและลดความต้องการวัตถุดิบ รัฐบาลในบางประเทศอาจกำหนดให้มีศูนย์กำจัดของเสียของเทศบาลหรือท้องถิ่น หรือร้านค้าปลีกสำหรับผลิตภัณฑ์ใหม่ที่ได้รับบริการรีไซเคิลผลิตภัณฑ์อิเล็กทรอนิกส์กับร้านเรือนต่างๆ

หมายเหตุ

เนื่องจาก STANLEY มินโยบายพัฒนาปรับปรุงผลิตภัณฑ์อย่างต่อเนื่อง ดังนั้น เราจึงขอสงวนสิทธิ์ในการเปลี่ยนแปลงข้อมูลจำเพาะของผลิตภัณฑ์โดยไม่แจ้งให้ทราบล่วงหน้า

อุปกรณ์มาตรฐานและอุปกรณ์เสริมอาจแตกต่างกันในแต่ละประเทศ

ข้อมูลจำเพาะของผลิตภัณฑ์อาจแตกต่างกันในแต่ละประเทศ

ตัวเลือกผลิตภัณฑ์อาจมีจำหน่ายไม่ครบทุกรายการในบางประเทศ โปรดสอบถามตัวเลือกผลิตภัณฑ์จากตัวแทนจำหน่าย STANLEY ในประเทศของคุณ

ข้อมูลทางเทคนิค

SBI201		
แรงดันไฟฟ้า	V_{DC}	18 โวลต์
ความเร็วขณะไม่มีโหลด	นาที ⁻¹	0-2700
อัตราการกระแทก	BPM	0-3100
แรงบิดสูงสุด (วิธี PTI)	นิวตัน-เมตร	180
ขนาดตัวจับดอกไขควง	มม.	6.35(Hex)
น้ำหนัก	กก.	0.98 (โดยไม่มีแบตเตอรี่)

เครื่องชาร์จ		SC201	SC202
แรงดันไฟเข้า	V_{AC}	230	230
แรงดันไฟออก	V_{DC}	18	18
กระแสไฟฟ้า	มิลลิแอมป์	1000	2000
ระยะเวลาชาร์จโดยประมาณ	นาที	80-240	40-120

แบตเตอรี่		SCB20C SCB20S		SCB20D	SCB20M
				STBL182	STBL184
แรงดันไฟฟ้า	V_{AC}	18	18	18	18
ความจุ	แอมป์-ชั่วโมง	1.3	1.5	2.0	4.0
ประเภท		Li-Ion	Li-Ion	Li-Ion	Li-Ion

ระดับแรงดันเสียงตามมาตรฐาน EN 60745:

แรงดันเสียง (L_{pA}) 97 dB(A), ความไม่แน่นอน (K) 3 dB(A)กำลังเสียง (L_{WA}) 108 dB(A), ความไม่แน่นอน (K) 3 dB(A)

ค่ารวมของการสั่นสะเทือน (triax vector sum) ตามมาตรฐาน EN 60745:

การสั่นสะเทือนโดยมีแรงกระแทก ($a_{h, 15}$) 12.2 m/s^2 , ความไม่แน่นอน (K) 1.5 m/s^2

Mục đích sử dụng

Máy bắt vít động lực dùng pin Stanley SBI201 được thiết kế để bắt vít và phục vụ các ứng dụng cần ốc vít. Công cụ này phù hợp để sử dụng cho người dùng chuyên nghiệp, tư nhân và không chuyên.

HƯỚNG DẪN AN TOÀN

Cảnh báo chung về an toàn cho dụng cụ điện cầm tay



Cảnh báo! Hãy đọc tất cả các cảnh báo và hướng dẫn về an toàn. Việc không tuân theo các cảnh báo và hướng dẫn được liệt kê dưới đây có thể gây giật điện, cháy nổ và/hoặc chấn thương nghiêm trọng.

Giữ lại mọi cảnh báo và hướng dẫn để sau này tham khảo. Thuật ngữ “dụng cụ điện cầm tay” trong phần cảnh báo chỉ thiết bị chạy bằng điện nguồn (có dây điện) hoặc thiết bị chạy bằng pin (không có dây điện).

1. An toàn tại nơi làm việc

- Đảm bảo nơi làm việc luôn sạch sẽ và đủ ánh sáng.** Những khu vực bừa bộn hoặc thiếu ánh sáng dễ gây tai nạn.
- Không vận hành dụng cụ điện cầm tay trong các môi trường dễ cháy nổ, như các môi trường có chất lỏng, khí hoặc bụi dễ cháy.** Dụng cụ điện cầm tay tạo ra các tia lửa điện có thể gây cháy bụi hoặc bốc khói.
- Không cho trẻ em và những người quan sát lại gần khi đang vận hành dụng cụ điện cầm tay.** Những lúc xao lãng có thể khiến bạn mất kiểm soát.

2. An toàn điện

- Phích cắm của dụng cụ điện cầm tay phải vừa với ổ cắm. Không được sửa đổi phích cắm dưới bất kỳ hình thức nào. Không được sử dụng các phích cắm tiếp hợp với những dụng cụ điện cầm tay có nối đất.** Phích cắm nguyên trạng và ổ cắm phù hợp sẽ giúp giảm nguy cơ bị điện giật.
- Tránh tiếp xúc với các bề mặt được nối đất như đường ống, lò sưởi, bếp nướng và tủ lạnh.** Nguy cơ bị điện giật sẽ cao hơn nếu cơ thể bạn tiếp xúc trực tiếp với đất.
- Không để các dụng cụ điện cầm tay ngoài trời mưa hoặc ở nơi ẩm ướt.** Nước vào trong dụng cụ điện cầm tay sẽ làm tăng nguy cơ bị điện giật.

- Không dùng dây điện cho các mục đích khác. Tuyệt đối không sử dụng dây điện để mang, kéo hoặc rút phích cắm dụng cụ điện cầm tay. Để dây điện cách xa nguồn nhiệt, dầu mỡ, các cạnh sắc hoặc các bộ phận chuyển động.** Dây điện bị hỏng hoặc bị vướng sẽ làm tăng nguy cơ bị điện giật.
- Khi vận hành dụng cụ điện cầm tay ngoài trời, hãy sử dụng dây nối dài phù hợp để sử dụng ngoài trời.** Sử dụng dây điện phù hợp để sử dụng ngoài trời sẽ giúp giảm nguy cơ bị điện giật.
- Nếu bắt buộc phải vận hành dụng cụ điện cầm tay ở nơi ẩm ướt, hãy sử dụng nguồn được bảo vệ bởi thiết bị ngắt mạch tự động (RCD).** Sử dụng RCD giúp giảm nguy cơ bị điện giật.

3. An toàn cá nhân

- Hãy tập trung, chú ý vào những gì bạn đang làm và tỉnh táo khi vận hành dụng cụ điện cầm tay. Không được sử dụng công cụ điện khi bạn đang mệt hoặc đang bị ảnh hưởng của ma túy, rượu hoặc thuốc.** Chỉ một khoảnh khắc mất tập trung trong khi vận hành dụng cụ điện cầm tay cũng có thể dẫn đến chấn thương cá nhân nghiêm trọng.
- Sử dụng thiết bị bảo hộ cá nhân. Luôn đeo kính bảo hộ.** Thiết bị bảo hộ như mặt nạ chống bụi, giày chống trượt, mũ cứng hoặc thiết bị bảo vệ tai - nếu được sử dụng ở những điều kiện phù hợp - sẽ giúp giảm các chấn thương cá nhân.
- Tránh vô tình bật máy. Đảm bảo rằng công tắc ở vị trí tắt trước khi nối với nguồn điện và/hoặc pin, khi cầm hoặc mang dụng cụ.** Việc cầm dụng cụ điện cầm tay khi ngón tay đặt vào công tắc hoặc sạc pin cho dụng cụ điện cầm tay khi công tắc đang bật có thể gây tai nạn.
- Hãy tháo hết khóa điều chỉnh hoặc cờ lê trước khi bật dụng cụ điện cầm tay.** Không tháo hết cờ lê hoặc khóa ra khỏi bộ phận quay của dụng cụ điện cầm tay có thể dẫn đến chấn thương cá nhân.
- Không được vớ tay. Hãy đứng ở tư thế thích hợp và luôn giữ thẳng bằng.** Điều đó giúp kiểm soát dụng cụ điện cầm tay tốt hơn trong các tình huống bất ngờ.
- Mặc quần áo phù hợp. Không mặc quần áo rộng hoặc đeo đồ trang sức. Giữ cho tóc, quần áo và găng tay tránh xa các bộ phận chuyển động.** Quần áo rộng, đồ trang sức hoặc tóc dài có thể bị mắc vào các bộ phận chuyển động.

g. Nếu các thiết bị được cung cấp để nối các phương tiện hút và gom bụi, hãy đảm bảo những thiết bị này được nối và sử dụng đúng cách. Sử dụng thiết bị gom bụi có thể giảm các nguy cơ liên quan đến bụi..

4. Sử dụng và bảo quản dụng cụ điện cầm tay

a. Sử dụng dụng cụ điện cầm tay phù hợp.

Sử dụng dụng cụ điện cầm tay phù hợp với mục đích của bạn. Dụng cụ phù hợp sẽ giúp bạn làm việc hiệu quả và an toàn hơn theo đúng tốc độ được thiết kế.

b. Không sử dụng dụng cụ điện cầm tay nếu công tắc không bật và tắt được. Những dụng cụ điện cầm tay không điều khiển được bằng công tắc đều rất nguy hiểm và cần phải được sửa chữa.

c. Rút phích cắm dụng cụ điện cầm tay ra khỏi nguồn điện và/hoặc pin ra khỏi dụng cụ điện cầm tay trước khi thực hiện các điều chỉnh, thay phụ kiện hoặc bảo quản dụng cụ điện cầm tay. Các biện pháp an toàn phòng ngừa đó giúp giảm nguy cơ khởi động dụng cụ điện cầm tay một cách tình cờ.

d. Bảo quản các dụng cụ điện cầm tay không sử dụng tránh xa tầm tay trẻ em và không cho phép những người không quen với dụng cụ điện cầm tay hoặc những hướng dẫn này vận hành dụng cụ điện cầm tay. Dụng cụ điện cầm tay sẽ rất nguy hiểm khi được sử dụng bởi những người chưa được huấn luyện.

e. Bảo trì dụng cụ điện cầm tay. Kiểm tra các bộ phận di chuyển xem có bị lắp lệch hoặc kẹt không, các bộ phận có bị vỡ không và bất kỳ tình trạng nào khác có thể ảnh hưởng đến việc vận hành dụng cụ. Nếu dụng cụ điện cầm tay bị hỏng, hãy sửa chữa trước khi sử dụng. Rất nhiều tai nạn xảy ra do công tác bảo trì các dụng cụ điện cầm tay kém.

f. Đảm bảo các thiết bị cắt luôn sắc và sạch sẽ. Các dụng cụ cắt được bảo trì đúng cách với các cạnh cắt sắc sẽ ít bị kẹt hơn và dễ điều khiển hơn.

g. Sử dụng dụng cụ điện cầm tay, các phụ kiện và mũi khoan, v.v. theo các chỉ dẫn này, chú ý đến các điều kiện làm việc và công việc sẽ thực hiện. Sử dụng dụng cụ điện cầm tay sai mục đích có thể gây nguy hiểm.

5. Sử dụng và bảo quản pin

a. Chỉ sạc lại pin bằng bộ sạc do nhà sản xuất quy định. Bộ sạc chỉ thích hợp cho một loại pin có thể tạo nguy cơ cháy khi được sử dụng với loại pin khác.

b. Chỉ sử dụng dụng cụ điện cầm tay với các loại pin được chỉ định cụ thể. Sử dụng các bộ pin khác có thể tạo nguy cơ bị chấn thương và nguy cơ cháy.

c. Khi không sử dụng pin, để pin tránh xa các vật dụng kim loại như kẹp giấy, tiền đồng, chìa khóa, đinh, vít, hay các vật dụng kim loại nhỏ khác có thể tạo kết nối từ cực này sang cực khác. Trường hợp các cực của pin bị chạm mạch với nhau có thể gây hỏa hoạn.

d. Trong các điều kiện sử dụng cho nhiều mục đích khác, có thể bơm chất lỏng từ pin; tránh tiếp xúc. Nếu vô tình tiếp xúc, rửa lại bằng nước. Nếu chất lỏng dính vào mắt, hãy đến cơ sở y tế nhờ can thiệp. Chất lỏng chảy ra từ pin có thể gây kích ứng hoặc bỏng da.

6. Bảo dưỡng

a. Hãy để nhân viên bảo dưỡng có chuyên môn tiến hành bảo dưỡng dụng cụ điện cầm tay cho bạn và chỉ sử dụng các bộ phận thay thế chính hãng. Điều này giúp đảm bảo độ an toàn của dụng cụ điện cầm tay đó.

CẢNH BÁO KHÁC VỀ AN TOÀN DỤNG CỤ ĐIỆN CẦM TAY



Cảnh báo! Các cảnh báo an toàn bổ sung cho máy khoan/máy bắt vít

- ◆ **Mang thiết bị bảo vệ tai khi làm việc với máy khoan búa.** Việc tiếp xúc với tiếng ồn có thể làm giảm thính lực.
- ◆ **Sử dụng các tay cầm phụ kèm theo dụng cụ.** Việc mất khả năng kiểm soát có thể gây chấn thương cá nhân.
- ◆ **Chỉ cầm dụng cụ điện cầm tay ở phần bề mặt tay cầm cách điện khi thực hiện thao tác mà phụ kiện cắt có thể tiếp xúc với hệ thống dây điện chìm.**
Phụ kiện cắt tiếp xúc với dây "có điện" có thể làm dây điện bị hở và khiến người vận hành bị điện giật.
- ◆ **Chỉ cầm dụng cụ điện cầm tay ở phần bề mặt tay cầm cách điện khi thực hiện thao tác mà mỏ cặp có thể tiếp xúc với hệ thống dây điện chìm.** Mỏ cặp tiếp xúc với dây "có điện" có thể khiến các bộ phận kim loại hở của dụng cụ điện cầm tay "nhiễm điện" và khiến người vận hành bị giật điện.
- ◆ **Dùng kẹp hay áp dụng một biện pháp thực tế khác nhằm bảo đảm và cố định phối gia công trên bàn máy.** Giữ phối bằng tay hay dựa vào người bạn đều làm cho phối không vững và có thể dẫn tới mất kiểm soát.

- ◆ Trước khi khoan vào tường, sàn hay trần nhà, hãy kiểm tra vị trí lắp đặt đường dây điện và đường ống.
- ◆ Tránh chạm vào đầu mũi khoan ngay sau khi khoan vì mũi khoan lúc này vẫn có thể đang nóng.
- ◆ Mục đích sử dụng được mô tả trong tài liệu hướng dẫn này. Việc sử dụng bất kỳ phụ kiện hay đồ gá hoặc thực hiện bất kỳ thao tác nào với dụng cụ này không theo các mục đích sử dụng khuyến nghị trong hướng dẫn sử dụng này có thể dẫn đến nguy cơ chấn thương cá nhân và/hoặc hư hỏng tài sản.

VẤN ĐỀ AN TOÀN ĐỐI VỚI NGƯỜI KHÁC

- ◆ Không cho phép những cá nhân (bao gồm cả trẻ em) bị suy giảm năng lực thể chất, trí tuệ hoặc cảm giác, hay người thiếu kinh nghiệm và kiến thức sử dụng dụng cụ điện cầm tay này, trừ khi có sự giám sát hoặc hướng dẫn sử dụng dụng cụ của người chịu trách nhiệm về vấn đề an toàn của những cá nhân này.
- ◆ Phải giám sát để đảm bảo trẻ không nghịch thiết bị.

Các nguy cơ khác

Các nguy cơ khác có thể phát sinh khi sử dụng dụng cụ không nằm trong các cảnh báo an toàn đính kèm. Những nguy cơ này có thể phát sinh từ việc sử dụng sai mục đích, sử dụng trong thời gian dài, v.v.

Kể cả việc áp dụng các quy tắc an toàn liên quan và dùng các thiết bị an toàn cũng không thể tránh được một số nguy cơ khác. Những nguy cơ này gồm:

- ◆ Chấn thương do chạm vào bất kỳ bộ phận đang quay/chuyển động nào.
- ◆ Chấn thương do thay đổi bất kỳ bộ phận, lưỡi dao hay phụ kiện nào.
- ◆ Chấn thương do sử dụng dụng cụ trong thời gian dài. Khi sử dụng bất kỳ một dụng cụ nào trong khoảng thời gian dài, bạn phải đảm bảo nghỉ giải lao thường xuyên.
- ◆ Suy giảm thính lực.
- ◆ Các mối nguy hại cho sức khỏe do hít phải nhiều bụi khi sử dụng thiết bị (chẳng hạn:- làm việc với gỗ, đặc biệt là gỗ sồi, gỗ dẻ gai và gỗ ép.)

Rung

Các giá trị phát rung động được công bố và ghi trong dữ liệu kỹ thuật cũng như tuyên bố về tính phù hợp đã được đo theo phương pháp kiểm tra tiêu chuẩn EN 60745 và có thể được sử dụng để

so sánh dụng cụ này với dụng cụ khác. Giá trị phát rung động được công bố cũng có thể được sử dụng trong đánh giá sơ bộ về mức độ phơi nhiễm. **Cảnh báo!** Độ rung của dụng cụ trong quá trình sử dụng thực tế có thể khác với giá trị thiết kế, phụ thuộc vào cách sử dụng dụng cụ. Độ rung có thể cao hơn mức thiết kế.

Khi đánh giá độ rung nhằm đưa ra các biện pháp an toàn theo 2002/44/EC để bảo vệ những người thường xuyên sử dụng dụng cụ điện cầm tay trong công việc, cần xem xét ước tính mức độ rung, thông qua các điều kiện và cách sử dụng dụng cụ trên thực tế, bao gồm việc xem xét tất cả các bộ phận thuộc chu trình vận hành như thời điểm tắt dụng cụ và thời điểm tạm dừng dụng cụ ngoài những thời gian ngắn.

KÝ HIỆU TRÊN DỤNG CỤ

Trên thiết bị có các ký hiệu sau cùng với mã ngày:



Cảnh báo! Để giảm nguy cơ chấn thương, người dùng phải đọc hướng dẫn sử dụng.

Các hướng dẫn an toàn bổ sung cho pin và bộ sạc (Không được cung cấp theo dụng cụ)

Pin

- ◆ Không được cố mở pin vì bất cứ lý do nào.
- ◆ Không để pin tiếp xúc với nước.
- ◆ Không bảo quản ở nơi nhiệt độ có khả năng vượt quá 40 °C.
- ◆ Chỉ sạc pin khi nhiệt độ môi trường nằm trong khoảng từ 10 °C đến 40 °C.
- ◆ Chỉ sử dụng bộ sạc pin được cung cấp cùng với dụng cụ.
- ◆ Khi vứt bỏ pin, phải tuân theo các hướng dẫn nêu trong phần "Bảo vệ môi trường".



Không cố sạc pin khi đã hỏng.

Bộ sạc

- ◆ Chỉ sử dụng bộ sạc của Stanley để sạc pin đi kèm với dụng cụ của bạn. Các loại pin khác có thể gây cháy nổ và chấn thương cá nhân.
- ◆ Tuyệt đối không cố sạc loại pin dùng một lần.
- ◆ Lập tức thay dây nguồn đã hỏng.
- ◆ Không để bộ sạc tiếp xúc với nước.
- ◆ Không mở bộ sạc ra.
- ◆ Không chọc que vào bộ sạc.



Chỉ sử dụng bộ sạc trong nhà.



Đọc kỹ hướng dẫn sử dụng trước khi dùng.

An toàn điện



Bộ sạc của bạn đã được cách điện kép; do vậy không cần dây nối đất. Luôn kiểm tra điện áp nguồn xem có bằng với điện áp trên tấm định mức hay không. Tuyệt đối không cố thay thế bộ sạc bằng phích cắm thông thường.

- ◆ Nếu dây cáp điện bị hỏng, việc thay thế phải do nhà sản xuất hoặc trung tâm bảo hành được ủy quyền của Stanley thực hiện để tránh gây nguy hiểm.

TÍNH NĂNG

Thiết bị này gồm một số hoặc tất cả những tính năng sau.

1. Công tắc điều tốc
2. Nút đảo chiều thuận/ngịch
3. Đầu kẹp
4. Vòng đầu kẹp
5. Pin
6. Móc đeo
7. Đèn làm việc LED
8. Giá đỡ mũi khoan có từ
9. Đèn báo trạng thái sạc
10. Giá giữ mũi khoan

Hình A

11. Bộ sạc
12. Đèn báo sạc

Lắp ráp

Cảnh báo! Trước khi lắp, tháo pin ra khỏi dụng cụ.

Lắp và tháo pin (hình B)

- ◆ Để lắp pin (5), đặt pin vào hốc cắm trên thiết bị. Trượt và ấn pin vào hốc cắm sao cho lắp vừa khít pin vào đúng vị trí.
- ◆ Để tháo pin, nhấn nút tháo pin (13) đồng thời kéo pin ra khỏi hốc cắm.

Tháo lắp đầu vít hoặc mũi khoan (hình C)

Dụng cụ này khớp với đầu kẹp nhà nhanh để cho phép dễ dàng thay mũi khoan.

Cảnh báo! Đảm bảo rằng dụng cụ đã khóa để tránh khởi động công tắc trước khi lắp hoặc tháo phụ kiện.

- ◆ Khóa dụng cụ bằng cách đưa nút đảo chiều thuận/ngịch (2) về vị trí trung tâm.

- ◆ Kéo và giữ vòng đầu kẹp (4) khỏi mặt trước của dụng cụ.
- ◆ Lắp trục mũi khoan (14) vào đầu kẹp (3).
- ◆ Nhả vòng chuyển tốc độ ra. Dụng cụ đã khóa đúng vị trí.

Lưu ý! Để tháo mũi khoan/đầu vít ra, lặp lại các bước trên.

Cảnh báo! Chỉ sử dụng đầu vít động lực. Các đầu vít không phải động lực có thể bị gãy và dẫn đến tình huống nguy hiểm. Kiểm tra đầu vít trước khi sử dụng để đảm bảo không bị rạn nứt.

HÃY SỬ DỤNG

Cảnh báo! Đảm bảo dụng cụ làm việc ở tốc độ cho phép. Không được chạy quá tải.

Sạc pin (hình A)

Cần sạc pin trước lần sử dụng đầu tiên và bất cứ khi nào pin không đủ điện để thực hiện công việc mà trước đó đã được thực hiện một cách dễ dàng. Khi sạc, pin sẽ ấm lên; điều này hoàn toàn bình thường và không có gì đáng lo ngại.

Cảnh báo! Không sạc pin khi nhiệt độ xung quanh dưới 10 °C hoặc trên 40 °C. Nhiệt độ sạc khuyến nghị: khoảng 24 °C.

Lưu ý: Bộ sạc sẽ không sạc pin nếu nhiệt độ pin dưới khoảng 10 °C hoặc trên 40 °C.

Cần để pin trong bộ sạc và bộ sạc sẽ bắt đầu tự động sạc pin khi nhiệt độ pin tăng lên hoặc giảm xuống.

- ◆ Để sạc pin (5), lắp pin vào bộ sạc (11). Pin chỉ khớp vào bộ sạc theo một chiều. Không được cố nhả vào. Đảm bảo pin hoàn toàn khớp vào bộ sạc.
- ◆ Cắm nguồn bộ sạc và bật nguồn. Đèn báo sạc (12) sẽ liên tục nhấp nháy màu xanh lục(chậm). Sạc xong khi đèn báo sạc (12) liên tục sáng màu xanh lá. Bộ sạc và pin có thể kết nối liên tục khi đèn LED sáng. Đèn LED sẽ thay đổi sang trạng thái nhấp nháy màu xanh (đang sạc) khi bộ sạc thường xuyên sạc đầy. Đèn báo sạc (12) sẽ phát sáng ngay khi pin được kết nối với bộ sạc đã cắm nguồn.
- ◆ Sạc pin hết điện trong vòng 1 tuần. Tuổi thọ của pin sẽ bị giảm đáng kể nếu bảo quản ở các trạng thái không có điện.

Đặt pin trong bộ sạc

Bộ sạc và pin có thể để kết nối khi đèn LED phát sáng liên tục. Bộ sạc sẽ giữ cho pin luôn mới và đầy.

Cảnh báo! Đảm bảo nút khóa công tắc ở vị trí đóng để tránh khởi động công tắc trước khi tháo hoặc lắp pin.

Chẩn đoán bộ sạc

Nếu bộ sạc phát hiện pin yếu hay bị hỏng, đèn báo sạc (12) sẽ nhấp nháy màu đỏ rất nhanh. Thực hiện như sau:

- ◆ Lắp lại pin (5).
- ◆ Nếu đèn báo sạc vẫn tiếp tục nhấp nháy màu đỏ nhanh thì sử dụng pin khác để xác định xem quá trình sạc đúng cách hay chưa.
- ◆ Nếu pin thay thế có thể sạc được, thì pin ban đầu đã bị hỏng và nên mang trả lại trung tâm bảo hành để tái chế.
- ◆ Nếu pin mới vẫn hiển thị báo như pin cũ, thì mang bộ sạc tới kiểm tra tại trung tâm bảo hành ủy quyền.

Lưu ý: Có thể mất 60 phút để xác định xem pin có bị hỏng hay không. Nếu pin quá nóng hoặc lạnh, đèn LED sẽ lần lượt nhấp nháy đỏ, nhanh và chậm, một lần chớp tại mỗi tốc độ và lặp đi lặp lại.

Lựa chọn chiều quay (hình D)

Để vận chặt, sử dụng chiều quay thuận (theo chiều kim đồng hồ). Để tháo, sử dụng chiều quay nghịch (ngược chiều kim đồng hồ).

- ◆ Để chọn quay theo chiều thuận, đẩy nút đảo chiều thuận/ngịch (2) sang bên trái.
- ◆ Để chọn chiều quay ngược, đẩy nút đảo chiều thuận/ngịch sang bên phải.
- ◆ Để khóa máy, đưa nút đảo chiều thuận/ngịch về vị trí trung tâm.

Bắt vít / xiết ốc

- ◆ Chọn mũi khoan/đầu vít phù hợp cho vít hoặc ốc.
- ◆ Chọn chiều quay thuận hoặc nghịch như mô tả bên trên.
- ◆ Giữ máy thẳng với mô cạp.
- ◆ Sau khi vận chặt, kiểm tra mô men bằng mô lét.

Đèn làm việc LED

Đèn làm việc LED (7) tự động khởi động khi nhấn công tắc khởi động. Đèn làm việc LED sẽ sáng khi công tắc khởi động được nhấn một phần, trước khi máy bắt đầu chạy.

Đèn báo trạng thái sạc

Dụng cụ được trang bị đèn báo trạng thái sạc Đèn báo được sử dụng để hiển thị mức sạc pin hiện tại trong quá trình sử dụng.

- ◆ Nhấn nút đèn báo trạng thái sạc (9).

Gợi ý để sử dụng tối ưu

Bắt vít

- ◆ Luôn sử dụng đúng loại và kích cỡ mũi khoan vít.
- ◆ Nếu khó xiết chặt vít, hãy thử bôi một chút dung dịch tẩy rửa hoặc dầu bôi trơn.
- ◆ Luôn đặt dụng cụ và mũi đinh vít thẳng hàng với vít.

BẢO TRÌ

Dụng cụ Stanley được thiết kế để vận hành trong thời gian dài và ít phải bảo trì nhất. Dụng cụ vận hành liên tục theo ý muốn tùy thuộc vào việc bảo quản dụng cụ đúng cách và vệ sinh thường xuyên.

Bộ sạc không cần bảo dưỡng nhưng phải thường xuyên lau chùi.

Cảnh báo! Trước khi tiến hành bảo trì trên dụng cụ, hãy tháo pin ra khỏi dụng cụ. Rút phích cắm bộ sạc trước khi vệ sinh.

- ◆ Thường xuyên lau chùi các khe thông gió trong dụng cụ và bộ sạc bằng chổi mềm hoặc khăn khô.
- ◆ Thường xuyên lau chùi vỏ động cơ bằng khăn ẩm.
Không dùng chất tẩy rửa có chứa dung môi hay chất mài mòn.
- ◆ Thường xuyên mỡ đầu kẹp và vỏ nhẹ để trượt bụi ở bên trong ra.

Bảo vệ môi trường



Thu gom riêng. Không được vứt bỏ sản phẩm và pin có ký hiệu này cùng với rác thải sinh hoạt thông thường.

Sản phẩm và pin chứa vật liệu có thể thu hồi hoặc tái chế giúp giảm nhu cầu về vật liệu thô. Vui lòng tái chế sản phẩm điện và pin theo quy định của địa phương.



Thu gom riêng sản phẩm và bao bì đóng gói đã qua sử dụng sẽ cho phép tái chế và tái sử dụng vật liệu.

Tái sử dụng vật liệu tái chế giúp ngăn chặn ô nhiễm môi trường và giảm nhu cầu vật liệu thô. Một số cơ quan địa phương có thể yêu cầu các trung tâm xử lý rác thải địa phương hoặc đô thị hay nhà bán lẻ sản phẩm mới phải cung cấp dịch vụ tái chế sản phẩm điện tử cho các hộ gia đình.

Lưu ý

Chính sách của STANLEY không ngừng cải thiện với các sản phẩm và do đó, chúng tôi có quyền thay đổi thông số kỹ thuật sản phẩm mà không cần báo trước.

Các thiết bị và phụ kiện chuẩn có thể khác nhau tùy theo từng quốc gia.
 Thông số kỹ thuật của sản phẩm có thể khác nhau tùy theo từng quốc gia.
 Danh mục sản phẩm hoàn chỉnh có thể không có mặt tại tất cả các quốc gia.
 Liên hệ với các đại lý STANLEY sở tại để được cung cấp danh mục sản phẩm

DỮ LIỆU KỸ THUẬT

SBI201		
Điện áp	V _{DC}	18 V
Tốc độ không tải	Ph ⁻¹	0-2700
Số lần đập	lần/phút	0-3100
Mô men xoắn tối đa (Phương pháp PTI)	Nm	180
Kích thước đầu kẹp	mm	6.35(Lục giác)
Trọng lượng	kg	0,98 (chưa gao gồm pin)

Bộ sạc	SC201	SC202	
Điện áp đầu vào	V _{AC}	230	230
Điện áp đầu ra	V _{DC}	18	18
Dòng điện ra	mA	1000	2000
Thời gian sạc xấp xỉ	Ph	80-240	40-120

Pin		SCB20D		SCB20M	
		SCB20C	SCB20S	STBL182	STBL184
Điện áp	V _{AC}	18	18	18	18
Dung lượng	Ah	1,3	1,5	2,0	4,0
Loại		Li-Ion	Li-Ion	Li-Ion	Li-Ion

Mức áp suất âm thanh theo EN 60745:	
Áp suất âm thanh (L _{pa})	97 dB(A), mức dao động (K) 3 dB(A)
Công suất âm thanh (L _{wa})	108 dB(A), mức dao động (K) 3 dB(A)

Tổng các giá trị rung (tổng vector ba trục) theo EN 60745:	
Vận tốc động lực (a _{r, is})	12,2 m/s ² , mức dao động (K) 1,5 m/s ²

