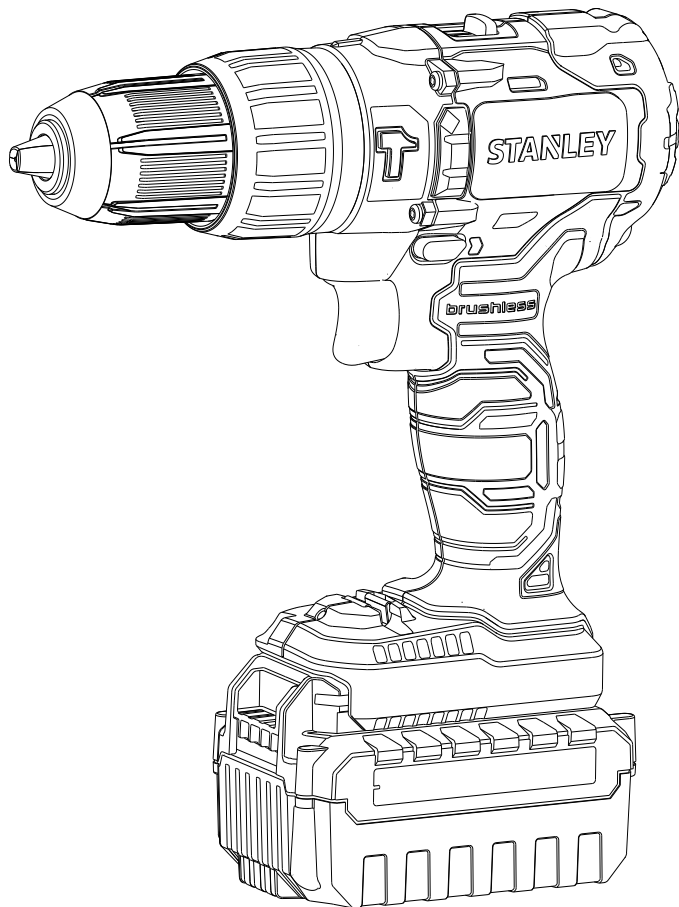
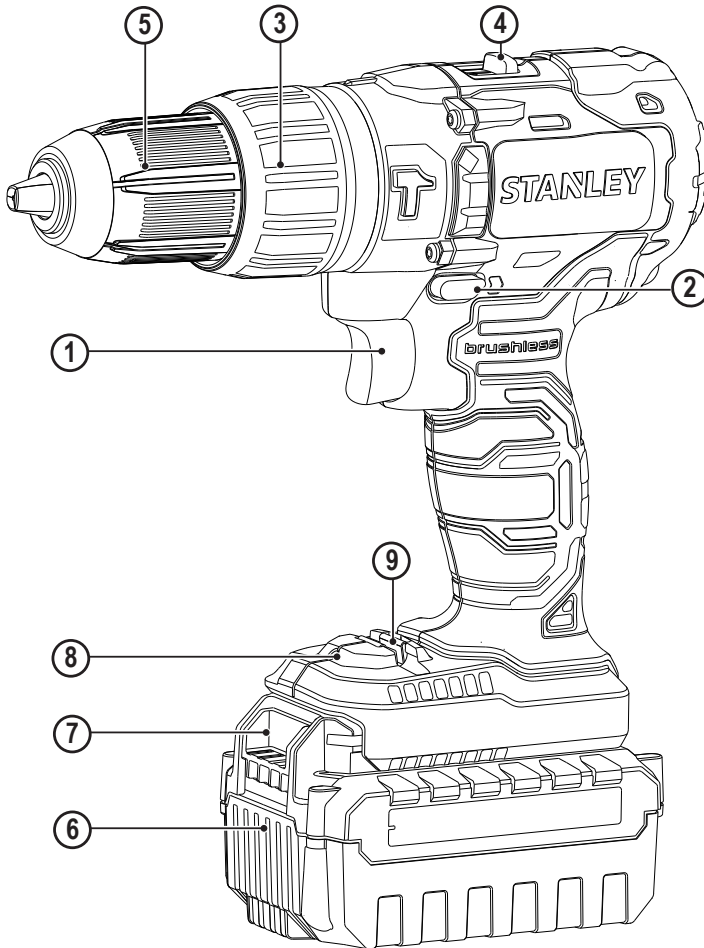


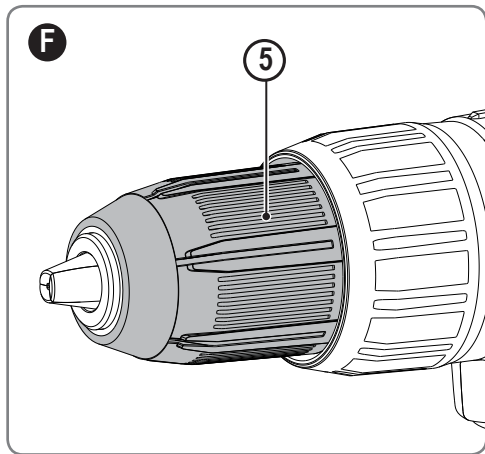
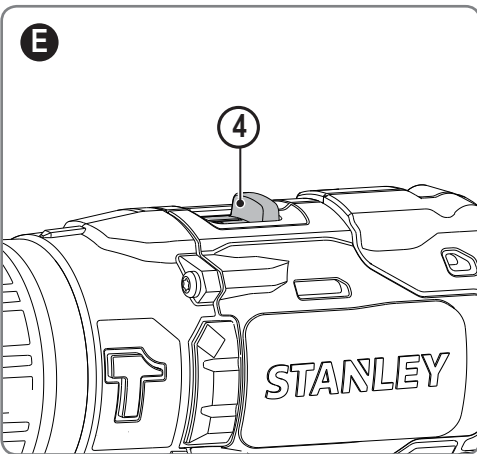
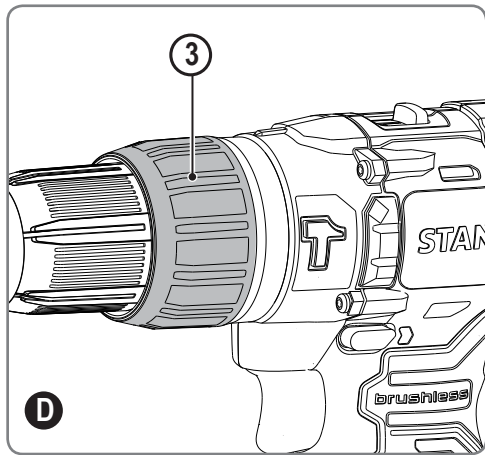
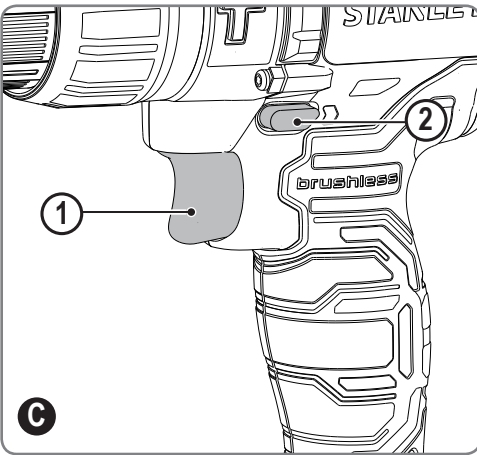
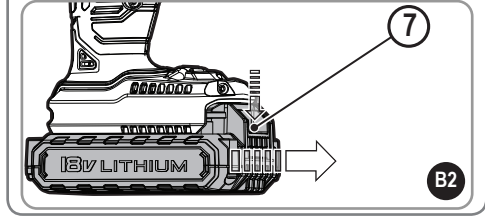
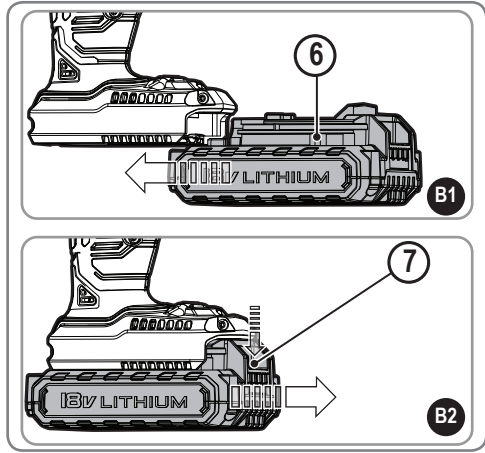
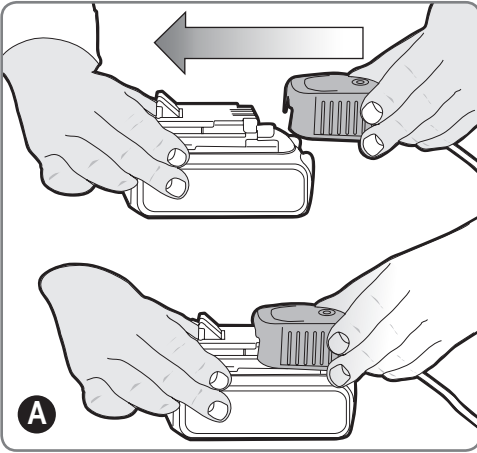
STANLEY



SBH201

ENGLISH	4
简体中文	11
繁體中文	17
한국어	23
BAHASA INDONESIA	30
ภาษาไทย	38
TIẾNG VIỆT	45





Intended use

Your Stanley SBH201 hammer drill/screwdriver has been designed for screwdriving applications and for drilling in wood, metal, plastics and soft masonry. This tool is intended for professional and private, non professional users.

SAFETY INSTRUCTION

General power tool safety warnings



Warning! Read all safety warnings and all instructions. Failure to follow the warnings and instructions listed below may result in electric shock, fire and/or serious injury.

Save all warnings and instructions for future reference.

The term "power tool" in all of the warnings listed below refers to your mains operated (corded) power tool or battery operated (cordless) power tool.

1. Work area safety

- a. **Keep work area clean and well lit.** Cluttered or dark areas invite accidents.
- b. **Do not operate power tools in explosive atmospheres, such as in the presence of flammable liquids, gases or dust.** Power tools create sparks which may ignite the dust or fumes.
- c. **Keep children and bystanders away while operating a power tool.** Distractions can cause you to lose control.

2. Electrical safety

- a. **Power tool plugs must match the outlet. Never modify the plug in any way. Do not use any adapter plugs with earthed (grounded) power tools.** Unmodified plugs and matching outlets will reduce risk of electric shock.
- b. **Avoid body contact with earthed or grounded surfaces such as pipes, radiators, ranges and refrigerators.** There is an increased risk of electric shock if your body is earthed or grounded.
- c. **Do not expose power tools to rain or wet conditions.** Water entering a power tool will increase the risk of electric shock.
- d. **Do not abuse the cord. Never use the cord for carrying, pulling or unplugging the power tool. Keep cord away from heat, oil, sharp edges or moving parts.** Damaged or entangled cords increase the risk of electric shock.
- e. **When operating a power tool outdoors, use an extension cord suitable for outdoor use.** Use of a cord suitable for outdoor use reduces the risk of electric shock.
- f. **If operating a power tool in a damp location is unavoidable, use a residual current device (RCD) protected supply.**

Use of an RCD reduces the risk of electric shock.

3. Personal safety

- a. **Stay alert, watch what you are doing and use common sense when operating a power tool. Do not use a power tool while you are tired or under the influence of drugs, alcohol or medication.** A moment of inattention while operating power tools may result in serious personal injury.
 - b. **Use personal protective equipment. Always wear eye protection.** Protective equipment such as dust mask, non-skid safety shoes, hard hat, or hearing protection used for appropriate conditions will reduce personal injuries.
 - c. **Prevent unintentional starting. Ensure the switch is in the off-position before connecting to power source and/or battery pack, picking up or carrying the tool.** Carrying power tools with your finger on the switch or energising power tools that have the switch on invites accidents.
 - d. **Remove any adjusting key or wrench before turning the power tool on.** A wrench or a key left attached to a rotating part of the power tool may result in personal injury.
 - e. **Do not overreach. Keep proper footing and balance at all times.** This enables better control of the power tool in unexpected situations.
 - f. **Dress properly. Do not wear loose clothing or jewellery. Keep your hair, clothing and gloves away from moving parts.** Loose clothes, jewellery or long hair can be caught in moving parts.
 - g. **If devices are provided for the connection of dust extraction and collection facilities, ensure these are connected and properly used.** Use of dust collection can reduce dust-related hazards.
- #### 4. Power tool use and care
- a. **Do not force the power tool. Use the correct power tool for your application.** The correct power tool will do the job better and safer at the rate for which it was designed.
 - b. **Do not use the power tool if the switch does not turn it on and off.** Any power tool that cannot be controlled with the switch is dangerous and must be repaired.
 - c. **Disconnect the plug from the power source and/or the battery pack from the power tool before making any adjustments, changing accessories, or storing power tools.** Such preventive safety measures reduce the risk of starting the power tool accidentally.
 - d. **Store idle power tools out of the reach of children and do not allow persons unfamiliar with the power tool or these instructions to operate the power tool.** Power tools are dangerous in the hands of untrained users.

- e. **Maintain power tools. Check for misalignment or binding of moving parts, breakage of parts and any other condition that may affect the power tools operation. If damaged, have the power tool repaired before use.** Many accidents are caused by poorly maintained power tools.
- f. **Keep cutting tools sharp and clean.** Properly maintained cutting tools with sharp cutting edges are less likely to bind and are easier to control.
- g. **Use the power tool, accessories and tool bits etc. in accordance with these instructions, taking into account the working conditions and the work to be performed.** Use of the power tool for operations different from those intended could result in a hazardous situation.
5. **Battery tool use and care**
- a. **Recharge only with the charger specified by the manufacturer.** A charger that is suitable for one type of battery pack may create a risk of fire when used with another battery pack.
- b. **Use power tools only with specifically designated battery packs.** Use of any other battery packs may create a risk of injury and fire.
- c. **When battery pack is not in use, keep it away from other metal objects, like paper clips, coins, keys, nails, screws, or other small metal objects, that can make a connection from one terminal to another.** Shorting the battery terminals together may cause burns or a fire.
- d. **Under abusive conditions, liquid may be ejected from the battery; avoid contact. If contact accidentally occurs, flush with water. If liquid contacts eyes, additionally seek medical help.** Liquid ejected from the battery may cause irritation or burns.
6. **Service**
- a. **Have your power tool serviced by a qualified repair person using only identical replacement parts.** This will ensure that the safety of the power tool is maintained.

ADDITIONAL POWER TOOL SAFETY WARNINGS



Warning! Additional safety warnings for drills/screwdrivers

- ◆ **Wear ear protectors when impact drilling.** Exposure to noise can cause hearing loss.
- ◆ **Use auxiliary handles supplied with the tool.** Loss of control can cause personal injury.
- ◆ **Hold power tool by insulated gripping surfaces when performing an operation where the cutting accessory may contact hidden wiring.**

Cutting accessory contacting a "live" wire may make exposed metal parts of the power tool "live" and could give the operator an electric shock.

- ◆ **Hold power tool by insulated gripping surfaces, when performing an operation where the fastener may contact hidden wiring.** Fasteners contacting a "live" wire may make exposed metal parts of the power tool "live" and could give the operator an electric shock.
- ◆ **Use clamps or another practical way to secure and support the workpiece to a stable platform.** Holding the work by hand or against your body leaves it unstable and may lead to loss of control.
- ◆ Before drilling into walls, floors or ceilings, check for the location of wiring and pipes.
- ◆ Avoid touching the tip of a drill bit just after drilling, as it may be hot.
- ◆ The intended use is described in this instruction manual. The use of any accessory or attachment or performance of any operation with this tool other than those recommended in this instruction manual may present a risk of personal injury and/or damage to property.

SAFETY OF OTHERS

- ◆ This tool is not intended for use by persons (including children) with reduced physical, sensory or mental capabilities, or lack of experience and knowledge, unless they have been given supervision or instruction concerning use of the tool by a person responsible for their safety.
- ◆ Children should be supervised to ensure that they do not play with the appliance.

Residual risks

Additional residual risks may arise when using the tool which may not be included in the enclosed safety warnings. These risks can arise from misuse, prolonged use etc.

Even with the application of the relevant safety regulations and the implementation of safety devices, certain residual risks can not be avoided. These include:

- ◆ Injuries caused by touching any rotating/moving parts.
- ◆ Injuries caused when changing any parts, blades or accessories.
- ◆ Injuries caused by prolonged use of a tool. When using any tool for prolonged periods ensure you take regular breaks.
- ◆ Impairment of hearing.
- ◆ Health hazards caused by breathing dust developed when using your tool (example:- working with wood, especially oak, beech and MDF.)

Vibration

The declared vibration emission values stated in the technical data and the declaration of conformity have been measured

in accordance with a standard test method provided by EN 60745 and may be used for comparing one tool with another. The declared vibration emission value may also be used in a preliminary assessment of exposure.

Warning! The vibration emission value during actual use of the power tool can differ from the declared value depending on the ways in which the tool is used. The vibration level may increase above the level stated.

When assessing vibration exposure to determine safety measures required by 2002/44/EC to protect persons regularly using power tools in employment, an estimation of vibration exposure should consider, the actual conditions of use and the way the tool is used, including taking account of all parts of the operating cycle such as the times when the tool is switched off and when it is running idle in addition to the trigger time.

LABELS ON TOOL

The following symbols are shown on the tool along with the date code:



Warning! To reduce the risk of injury, the user must read the instruction manual.



Wear ear protectors with impact drills. Exposure to noise can cause hearing loss.

Additional safety instructions for batteries and chargers (Not provided with the tool)

Batteries

- ◆ Never attempt to open for any reason.
- ◆ Do not expose the battery to water.
- ◆ Do not store in locations where the temperature may exceed 40 °C.
- ◆ Charge only at ambient temperatures between 10 °C and 40 °C.
- ◆ Charge only using the charger provided with the tool.
- ◆ When disposing of batteries, follow the instructions given in the section "Protecting the environment".



Do not attempt to charge damaged batteries.

Chargers

- ◆ Use your Stanley charger only to charge the battery in the tool with which it was supplied. Other batteries could burst, causing personal injury and damage.
- ◆ Never attempt to charge non-rechargeable batteries.
- ◆ Have defective cords replaced immediately.
- ◆ Do not expose the charger to water.
- ◆ Do not open the charger.
- ◆ Do not probe the charger.



The charger is intended for indoor use only.



Read the instruction manual before use.

Electrical safety



Your charger is double insulated; therefore no earth wire is required. Always check that the mains voltage corresponds to the voltage on the rating plate. Never attempt to replace the charger unit with a regular mains plug.

- ◆ If the supply cord is damaged, it must be replaced by the manufacturer or an authorised Stanley Service Centre in order to avoid a hazard.

FEATURES

This appliance includes some or all of the following features.

1. Trigger Switch
2. Forward/Reverse Button
3. Torque Adjust Collar
4. Dual Range Gear Selector
5. Keyless Chuck
6. Battery
7. Battery Release Button
8. LED Work Light
9. Bit Tip Holder

Use

Warning! Let the tool work at its own pace.

Do not overload.

CHARGING THE BATTERY

The battery needs to be charged before first use and whenever it fails to produce sufficient power on jobs that were easily done before. The battery may become warm while charging; this is normal and does not indicate a problem.

Warning! Do not charge the battery at ambient temperatures below 10 °C or above 40 °C. Recommended charging temperature: approx. 24 °C.

Note: The charger will not charge a battery if the cell temperature is below approximately 10 °C or above 40 °C.

The battery should be left in the charger and the charger will begin to charge automatically when the cell temperature warms up or cools down.

- ◆ Plug the charger into an appropriate outlet before inserting the battery pack.
- ◆ Insert the battery pack into the charger.



The green LED will flash indicating that the battery is being charged.



The completion of charge is indicated by the green LED remaining on continuously. The pack is fully charged and may be used at this time or left in the charger.

Warning! Recharge discharged batteries as soon as possible after use or battery life may be greatly diminished.

Charger diagnostics

This charger is designed to detect certain problems that can arise with the battery packs or the power source. Problems are indicated by one LED flashing in different patterns.

Bad Battery



The charger can detect a weak or damaged battery. The red LED flashes in the pattern indicated on the label. If you see this bad battery blink pattern, do not continue to charge the battery. Return it to a service centre or a collection site for recycling.

Hot/Cold Pack Delay



When the charger detects a battery that is excessively hot or excessively cold, it automatically starts a Hot/Cold Pack delay, suspending charging until the battery has normalised. After this happens, the charger automatically switches to the Pack Charging mode. This feature ensures maximum battery life. The red LED flashes in the pattern indicated on the label when the Hot/Cold pack delay is detected.

Problem Power Line



When the charger is used with some portable power sources such as generators or sources that convert DC to AC, the charger may temporarily suspend operation. The LED flashes in the pattern indicated on the label. This indicates that the power source is out of limits..

Leaving the battery in the charger

The charger and battery pack can be left connected with the LED glowing indefinitely. The charger will keep the battery pack fresh and fully charged.

IMPORTANT CHARGING NOTES

- ◆ Longest life and best performance can be obtained if the battery pack is charged when the air temperature is between 65°F and 75°F (18° - 24°C). DO NOT charge the

battery pack in an air temperature below +40°F (+4.5°C), or above +105°F (+40.5°C). This is important and will prevent serious damage to the battery pack.

- ◆ The charger and battery pack may become warm to touch while charging. This is a normal condition, and does not indicate a problem. To facilitate the cooling of the battery pack after use, avoid placing the charger or battery pack in a warm environment such as in a metal shed, or an uninsulated trailer.
- ◆ If the battery pack does not charge properly:
 - ◆ Check current at receptacle by plugging in a lamp or other appliance.
 - ◆ Check to see if receptacle is connected to a light switch which turns power off when you turn out the lights.
 - ◆ Move charger and battery pack to a location where the surrounding air temperature is approximately 65°F - 75°F (18° - 24°C). If charging problems persist, take the tool, battery pack and charger to your local Stanley service center.
- ◆ The battery pack should be recharged when it fails to produce sufficient power on jobs which were easily done previously.
- ◆ DO NOT CONTINUE to use under these conditions. Follow the charging procedure.
- ◆ You may also charge a partially used pack whenever you desire with no adverse affect on the battery pack.

Installing and Removing the Battery Pack from the tool

Warning! Make certain the lock-off button is engaged to prevent switch actuation before removing or installing battery.

To install battery pack

- ◆ Insert battery pack firmly into tool until an audible click is heard as shown in figure B1. Ensure battery pack is fully seated and fully latched into position.

To remove battery pack

- ◆ Depress the battery release button (7) as shown in figure B2 and pull battery pack out of tool.

Trigger switch & forward/reverse button - figure C

- ◆ The drill is turned ON and OFF by pulling and releasing the trigger switch (1) shown in figure C. The farther the trigger is depressed, the higher the speed of the drill.
- ◆ A forward/reverse control button (2) determines the rotational direction of the tool and also serves as a lock off button.
- ◆ To select forward rotation, release the trigger switch and depress the forward/reverse control button on the right side of the tool.
- ◆ To select reverse, depress the forward/reverse control

button on the left side of the tool.

- ◆ The center position of the control button locks the tool in the off position. When changing the position of the control button, be sure the trigger is released.

USE

Adjusting torque control - figure D

This tool is fitted with a torque adjustment collar (3) to select the operating mode and to set the torque for tightening screws. Large screws and hard workpiece materials require a higher torque setting than small screws and soft workpiece materials.

- ◆ For drilling in wood, metal and plastics, set the collar to the drilling position symbol.
- ◆ For screwdriving, set the collar to the desired setting. If you do not yet know the appropriate setting, proceed as follows:
 - ◆ Set the collar to the lowest torque setting.
 - ◆ Tighten the first screw.
 - ◆ If the clutch ratchets before the desired result is achieved, increase the collar setting and continue tightening the screw.
 - ◆ Repeat until you reach the correct setting.
 - ◆ Use this setting for the remaining screws.

Dual range switch - figure E

The dual range feature of your drill allows you to shift gears for greater versatility.

- ◆ To select low speed, high torque setting (position 1), turn tool off and permit to stop. Slide gear shifter button (4) away from the chuck.
- ◆ To select the high speed, low torque setting (position 2), turn tool off and permit to stop. Slide gear shifter button back toward the chuck.

Note: Do not change gears when tool is running. If you are having trouble changing gears, make sure that the dual range gear button is either completely pushed forward or completely pushed back.

keyless chuck - figure F

Warning! Make certain the battery pack is removed to prevent tool actuation before installing or removing accessories.

To insert a drill bit or other accessory:

- ◆ Grasp the chuck (5) and rotate it in the counterclockwise direction, as viewed from the chuck end.
- ◆ Insert the bit or other accessory fully into the chuck, and tighten securely by rotating the chuck in the clockwise direction as viewed from the chuck end.

Warning! Do not attempt to tighten or loosen drill bits (or any other accessory) by gripping the front part of the chuck and turning the tool on. Damage to the chuck and personal injury may occur when changing accessories.

Hammer Action

The SBH201 drill has hammer action which is engaged by twisting the collar to the hammer symbol **T**. Use hammer action when drilling in masonry.

Warning! When the torque adjustment collar is in the drill or hammer drill positions, the drill will not clutch. The drill may stall if overloaded, causing a sudden twist.

Screw driving

- ◆ For driving fasteners, the forward/reverse button should be pushed to the left.
- ◆ Use reverse (button pushed to the right) for removing fasteners.

Note: When moving from forward to reverse, or vice versa, always release the trigger switch first.

Drilling

- ◆ Use sharp drill bits only.
- ◆ Support and secure work properly, as instructed in the Safety Instructions.
- ◆ Use appropriate and required safety equipment, as instructed in the Safety Instructions.
- ◆ Secure and maintain work area, as instructed in the Safety Instructions.
- ◆ Run the drill very slowly, using light pressure, until the hole is started enough to keep the drill bit from slipping out of it.
- ◆ Apply pressure in a straight line with the bit. Use enough pressure to keep the bit biting but not so much as to stall the motor or deflect the bit.
- ◆ Hold the drill firmly with two hands, one hand on the handle, and the other gripping the bottom around the battery area or the auxiliary handle if provided.
- ◆ **DO NOT CLICK THE TRIGGER OF A STALLED DRILL OFF AND ON IN AN ATTEMPT TO START IT. DAMAGE TO THE DRILL CAN RESULT.**
- ◆ Minimize stalling on breakthrough by reducing pressure and slowly drilling through the last part of the hole.
- ◆ Keep the motor running while pulling the bit out of a drilled hole. This will help reduce jamming.
- ◆ Make sure switch turns drill on and off.

Drilling in wood

Holes in wood can be made with the same twist drill bits used for metal or with spade bits.

These bits should be sharp and should be pulled out frequently when drilling to clear chips from the flutes.

Drilling in metal

Use a cutting lubricant when drilling metals. The exceptions are cast iron and brass which should be drilled dry. The cutting lubricants that work best are sulphurized cutting oil.

Drilling in masonry

Shift drill into 'Hammer mode'. Use carbide tipped masonry bits. Refer to drolling section. Keep even force on the drill but not so much that crack the brittle material. A smooth, even flow of dust indicates the proper drilling rate.

LED work light

When drill is activated by pulling the trigger switch (1), the integrated LED work light (8) will automatically illuminate the work area.

Note: The work light is for lighting the immediate work surface and is not intended to be used as a flashlight.

Bit tip storage

A bit storage slot (9) is built into the base of the tool.

Troubleshooting

Problem	Possible cause	Possible solution
Unit will not start.	Battery pack not installed properly. Battery pack not charged.	Check battery pack installation. Check battery pack charging requirements
Unit starts immediately upon inserting battery	The switch has been left in the "on" position.	The switch must be moved to "off" to prevent the tool from immediately starting when battery is inserted.
Battery pack will not charge.	Battery pack not inserted into charger. Charger not plugged in. Surrounding air temperature too hot or too cold.	Insert battery pack into charger until LED lights. Plug charger into a working outlet. Move charger and battery pack to a surrounding air temperature of above 40 degrees F (45°C) or below 105 degrees F (+40.5°C)
Unit shuts off abruptly.	Battery pack has reached its maximum thermal limit. Out of charge. (To maximize the life of the battery pack it is designed to shutoff abruptly when the charge is depleted	Allow battery pack to cool down. Place on charger and allow to charge.

- ◆ Regularly clean the ventilation slots in your tool and charger using a soft brush or dry cloth.
- ◆ Regularly clean the motor housing using a damp cloth. Do not use any abrasive or solvent-based cleaner.
- ◆ Regularly open the chuck and tap it to remove any dust from the interior.

Protecting the environment



Separate collection. Products and batteries marked with this symbol must not be disposed of with normal household waste.

Products and batteries contain materials that can be recovered or recycled reducing the demand for raw materials. Please recycle electrical products and batteries according to local provisions.



Separate collection of used products and packaging allows materials to be recycled and used again.

Reuse of recycled materials helps prevent environmental pollution and reduces the demand for raw materials.

Some local governments may require the local or municipal waste disposal centers or retailers of new products to provide households with electronic product recycling services.

Notes

STANLEY's policy is one of continuous improvement to our products and as such, we reserve the right to change product specifications without prior notice.

Standard equipment and accessories may vary by country. Product specifications may differ by country.

Complete product range may not be available in all countries. Contact your local STANLEY dealers for range availability

MAINTENANCE

Your Stanley tool has been designed to operate over a long period of time with a minimum of maintenance. Continuous satisfactory operation depends upon proper tool care and regular cleaning.

Your charger does not require any maintenance apart from regular cleaning.

Warning! Before performing any maintenance on the tool, remove the battery from the tool. Unplug the charger before cleaning it.

TECHNICAL DATA

SBH201		
Voltage	V_{DC}	18V
No-load speed	Min^{-1}	0-430/0-1700
Max. torque	Nm	55
Chuck capacity	mm	13
Max Drilling capacity		
Steel/wood	mm	13/35
Weight	kg	1.5

Charger	SC201	SC202	
Input voltage	V_{AC}	230	230
Output voltage	V_{DC}	18	18
Current	mA	1000	2000
Approx. charge time	Mins	80-240	40-120

Battery	SCB20C	SCB20S	SCB20D STBL182	SCB20M STBL184	
Voltage	V_{AC}	18	18	18	
Capacity	Ah	1.3	1.5	2.0	4.0
Type		Li-Ion	Li-Ion	Li-Ion	Li-Ion

Level of sound pressure according to EN 60745:

Sound pressure (L_{pA}) 93.5 dB(A), uncertainty (K) 3 dB(A)

Sound power (L_{WA}) 104.5 dB(A), uncertainty (K) 3 dB(A)

Vibration total values (triax vector sum) according to EN 60745:

Drilling into metal ($a_{h,D}$) 1.4 m/s^2 , uncertainty (K) 1.5 m/s^2

Screwdriving without impact (a_h) 0.8 m/s^2 , uncertainty (K) 1.5 m/s^2

Impact drilling into concrete ($a_{h,ID}$) 11.3 m/s^2 , uncertainty (K) 1.5 m/s^2

设计用途

您的 Stanley SBH201 电锤钻/螺丝起子设计用于螺丝安装以及在木材、钢材、塑料和柔软的砖石上钻孔。本工具可供专业、私人以及非专业用户使用。

安全指示

电动工具通用安全警告



警告！ 阅读所有警告和所有说明。不遵照以下警告和说明会导致电击、着火和 / 或严重伤害。

保存所有警告和说明书以备查阅。

在所有下列的警告中术语“电动工具”指市电驱动（有线）电动工具或电池驱动（无线）电动工具。

a) 工作场地的安全

- 1) 保持工作场地清洁和明亮。混乱和黑暗的场地会引发事故。
- 2) 不要在易爆环境，如有易燃液体、气体或粉尘的环境下操作电动工具。电动工具产生的火花会点燃粉尘或气体。
- 3) 让儿童和旁观者离开后操作电动工具。注意力不集中会使你失去对工具的控制。

b) 电气安全

- 1) 电动工具插头必须与插座相配。绝不能以任何方式改装插头。需接地的电动工具不能使用任何转换插头。未经改装的插头和相配的插座将减少电击危险。
- 2) 避免人体接触接地表面，如管道、散热片和冰箱。如果你身体接地会增加电击危险。
- 3) 不得将电动工具暴露在雨中或潮湿环境中。水进入电动工具将增加电击危险。
- 4) 不得滥用电线。绝不能用电线搬运、拉动电动工具或拔出其插头。使电线远离热源、油、锐边或运动部件。受损或缠绕的软线会增加电击危险。
- 5) 当在户外使用电动工具时，使用适合户外使用的外接软线。适合户外使用的软线将减少电击危险。
- 6) 如果在潮湿环境下操作电动工具是不可避免的，应使用剩余电流动作保护器（RCD）。使用RCD可减小电击危险。

c) 人身安全

- 1) 保持警觉，当操作电动工具时关注所从事的操作并保持清醒。当你感到疲倦，或在有药物、酒精或治疗反应时，不要操作电动工具。在操作电动工具时瞬间的疏忽会导致严重人身伤害。
- 2) 使用个人防护装置。始终佩戴护目镜。安全装置，诸如适当条件下使用防尘面具、防滑安全鞋、安全帽、听力防护等装置能减少人身伤害。
- 3) 防止意外启动。确保开关在连接电源和/或电池盒、拿起或搬运工具时处于关断位置。手指放在已接通电源的开关上或开关处于接通时插入插头可能会导致危险。

- 4) 在电动工具接通之前，拿掉所有调节钥匙或扳手。遗留在电动工具旋转零件上的扳手或钥匙会导致人身伤害。
 - 5) 手不要伸展得太长。时刻注意立足点和身体平衡。这样在意外情况下能很好地控制电动工具。
 - 6) 着装适当。不要穿宽松衣服或佩戴饰品。让你的衣服、手套和头发远离运动部件。宽松衣服、佩饰或长发可能会卷入运动部件中。
 - 7) 如果提供了与排屑、集尘设备连接用的装置，要确保他们连接完好且使用得当。使用这些装置可减少尘屑引起的危险。
- d) 电动工具使用和注意事项
- 1) 不要滥用电动工具，根据用途使用适当的电动工具。选用适当设计的电动工具会使你工作更有效、更安全。
 - 2) 如果开关不能接通或关断工具电源，则不能使用该电动工具。不能用开关来控制的电动工具是危险的且必须进行修理。
 - 3) 在进行任何调节、更换附件或贮存电动工具之前，必须从电源上拔掉插头和 / 或使电池盒与工具脱离。这种防护性措施将减少工具意外起动的危险。
 - 4) 将闲置不用的电动工具贮存在儿童所及范围之外，并且不要让不熟悉电动工具或对说明不了解的人操作电动工具。电动工具在未经培训的用户手中是危险的。
 - 5) 保养电动工具。检查运动件是否调整到位或卡住，检查零件破损情况和影响电动工具运行的其他状况。如有损坏，电动工具应在使用前修理好。许多事故由维护不良的电动工具引发。
 - 6) 保持切削刀具锋利和清洁。保养良好的有锋利切削刃的刀具不易卡住而且容易控制。
 - 7) 按照使用说明书，考虑作业条件和进行的作业来使用电动工具、附件和工具的刀头等。将电动工具用于那些与其用途不符的操作可能会导致危险。
- e) 电池式工具使用和注意事项：
- 1) 只用制造商规定的充电器充电。将适用于某种电池盒的充电器用到其他电池盒时会发生着火危险。
 - 2) 只有在配有专用电池盒的情况下才使用电动工具。使用其他电池盒会发生损坏和着火危险。
 - 3) 当电池盒不用时，将它远离其他金属物体，例如回形针、硬币、钥匙、钉子、螺钉或其他小金属物体，以防一端与另一端连接。电池端部短路会引起燃烧或火灾。
 - 4) 在滥用条件下，液体会从电池中溅出，避免接触。如果意外碰到了，用水冲洗。如果液体碰到了眼睛，还要寻求医疗帮助。从电池中溅出的液体会发生腐蚀或燃烧。
- f) 维修
- 1) 让专业维修人员使用相同的备件维修电动工具。这将保证所维修的电动工具的安全。

电钻/起子专用警告语：

使用冲击电钻时要戴好耳罩。暴露在噪声中会引起听力损伤。

使用随工具提供的辅助手柄。操作失手会引起人身伤害。

当在钻削附件或紧固件可能触及暗线或其自身软线之处进行操作时，要通过绝缘握持面来握持工具。钻削附件或紧固件碰到带电导线会使工具外露的金属零件带电从而使操作者受到电击。

电钻/起子专用警告语：

使用冲击电钻时要戴好耳罩。暴露在噪声中会引起听力损伤。

使用随工具提供的辅助手柄。操作失手会引起人身伤害。

当在钻削附件或紧固件可能触及暗线或其自身软线之处进行操作时，要通过绝缘握持面来握持工具。钻削附件或紧固件碰到带电导线会使工具外露的金属零件带电从而使操作者受到电击。

电动工具附加安全警告



警告！电钻/螺丝起子附加安全警告

- ◆ **使用冲击电钻时请佩戴听力保护器。**暴露在噪声中会引起听力损伤。
- ◆ **请使用工具随附的辅助手柄。**操作失手会引起人身伤害。
- ◆ **若钻具在进行操作时可能会接触到隐藏的电线，请握住绝缘手柄表面。**切割配件如果接触到“带电”导线，电动工具金属部件表面就会“带电”并使操作人员触电。
- ◆ **操作过程中紧固件可能接触隐藏的电线时，请握住工具的绝缘表面。**紧固件如果接触到“带电”导线，电动工具金属部件表面就会“带电”并使操作人员触电。
- ◆ **请使用夹具或采取其它可行的方法，把工件可靠地固定在稳定的平台上。**手持或用身体顶住工件都是不稳定的，会导致操作失控。
- ◆ **在墙上、地板或天花板上钻孔之前，请检查电线和管道位置。**
- ◆ **不要在钻孔后立刻碰触可能还带热的钻头尖端。**
- ◆ **本使用手册描述了工具的设计用途。**使用非本使用手册所建议的任何其他附件或配件，或者使用本工具执行非手册建议的任何其他操作，都可能存在人身伤害和/或财产损失的危险。

他人安全

- ◆ **本工具不适合体力、感觉或智力不足，或者缺乏经验及知识的人员（包括小孩）使用，除非负责他们安全的人员已经为他们提供关于使用此器具的监督或指示。**
- ◆ **应看管好儿童，以确保他们不将此设备当做玩具来玩。**

其他风险

使用工具时，可能出现本安全警示之外的其他剩余风险。这些风险可能来自使用不当，使用时间过长等。尽管遵守了相关的安全法规并采用了安全装备，某些其他风险仍然是无法避免的。这些风险包括：

- ◆ 接触旋转/运动部件时所导致的伤害风险。
- ◆ 更换部件、锯片或配件时所导致的伤害风险。
- ◆ 长期使用工具所导致的伤害。长期使用工具时，请确保定时休息。
- ◆ 听力损伤。
- ◆ 吸入工具使用过程中产生的粉尘导致的健康危害（例如，锯切木材，特别是橡木、山毛榉和中密度纤维板时）。

振动

技术参数和符合标准声明中所声明的振动发射值依据 EN 60745 提供的标准测试方法进行了测量，并且可用于工具间的比较。声明的振动发射值也可用于暴露的初步评估。

警告！取决于工具的操作方式，实际使用电动工具时的振动发射值可能会与声明的值有所不同。振动值也许会高于声明的值。

必须按照人体振动法规 2002/44/EC 对振动暴露值进行评估以确定安全措施，从而保护经常使用电动工具的操作人员。进行评估时，必须将预估的振动暴露值、实际使用条件和使用工具的方法纳入考量，其中包括了应考虑关闭工具电源或工具在触发时间外闲置运转时。

工具上的标签

工具上显示下列符号和日期码：



警告！为降低伤害风险，用户必须阅读使用手册。



使用冲击电钻时请佩戴听力保护器。暴露在噪声中会引起听力损伤。

电池和充电器的附加安全说明（未提供）

电池

- ◆ 不论基于任何理由，都不要尝试打开电池。
- ◆ 请勿将电池暴露在水中。
- ◆ 不要将电池存放在温度可能超过 40°C 的地方。
- ◆ 只在环境温度介于 10°C 和 40°C 之间的情况下充电。
- ◆ 只能使用本工具随附的充电器为电池充电。
- ◆ 处理电池时，请遵循“保护环境”部分所提供的说明进行。



不要尝试对损坏的电池充电。

充电器

- ◆ 只能使用工具随附的 Stanley 充电器为工具内的电池充电。其他电池可能会爆裂，导致人身伤害和损害。
- ◆ 切勿尝试为不可再充电的电池充电。
- ◆ 应立即更换有缺陷的电线。
- ◆ 请勿将充电器暴露在水中。
- ◆ 请勿打开充电器。
- ◆ 请勿刺破充电器。



充电器仅供室内使用



使用前请阅读使用手册。

电气安全



本充电器为双重绝缘，因此无需接地线。请务必检查电源电压是否与铭牌一致。切勿尝试使用一般的电源插头替换充电器。

- ◆ 如果电源线损坏，必须由制造商或 Stanley 授权服务中心更换，以避免发生危险。

部件名称

本设备包含如下部分或全部部件。

1. 触发开关
2. 正/反转按钮
3. 扭矩调节轴环
4. 双速档位选择器
5. 自紧式夹头
6. 电池
7. 电池释放按钮
8. LED 工作灯
9. 钻头夹持器

使用

警告！ 请让工具在自有速度下工作。请勿过载。

为电池充电

电池在首次使用之前，以及无法像从前一样对工作轻松提供足够的电量时，都需要充电。电池在充电时可能会变热；这是正常现象，而且并不表示出现问题。

警告！ 请勿在环境温度低于 10°C 或高于 40°C 的情况下为电池充电。建议的充电温度为大约 24°C。

注：若电池温度低于约 10°C 或高于 40°C，充电器将不会为电池充电。

电池应留在充电器内，充电器会在电池温度升高或降低到合适温度时自动开始充电。

- ◆ 放进电池组前，先将充电器的插头插到相应的电源插座上。
- ◆ 将电池组插入充电器。



绿色 LED 灯将会闪烁，表示电池正在充电。



绿色 LED 灯持续亮起表示充电完成。此时电池组已完全充电，您可以使用电池组或将电池组留在充电器上。

警告！ 电池用过之后应尽快充电，否则电池使用寿命可能大幅缩短。

充电器故障诊断

本充电器能够检测电池组或电源可能出现的一些问题。LED 灯不同的闪烁模式表示出现不同的问题。

电池损坏



充电器可以检测电力不足或受损的电池。红色 LED 灯按标签上所标示的模式闪烁。如果您看到电池损坏的闪烁模式，请不要继续为电池充电。请将电池送回维修中心或回收站进行回收。

热/冷电池组延迟



当充电器检测到电池过热或过冷时，它会自动启动热/冷电池延迟模式，暂停充电，直到电池达到正常的温度。启动此模式后，充电器会自动切换到电池组充电模式。此功能可确保电池拥有最长的使用寿命。当检测到热/冷电池组延迟模式时，红色 LED 灯会按标签上所标示的模式闪烁。

电源线故障



将充电器与发电机等便携式电源或直流转交流电源一起使用时，充电器可能会暂停操作。LED 灯按标签上所标示的模式闪烁。这表示电源超出限制。

将电池留在充电器中

充电器可以和电池组长期连接，此时 LED 指示灯常亮。充电器会让电池组保持电量充满的状态。

重要充电说明

- ◆ 在空气温度为 65°F - 75°F (18° - 24°C) 的环境中充电可以达到最长的电池组使用寿命和最佳效能。请勿在空气温度低于 +40°F (+4.5°C) 或高于 +105°F (+40.5°C) 的情况下为电池组充电。这很重要，可以防止电池组严重受损。
- ◆ 充电时，充电器和电池组表面温度可能升高。这是正常现象，并不表示出现问题。要在使用后加

快电池组冷却速度，应避免将充电器或电池组放在金属棚或绝缘拖车等温度较高的地方。

- ◆ 如果电池组没有正常充电：
 - ◆ 在插座中插入灯具或其它电器的插头，以检查插座中是否有电流。
 - ◆ 检查插座是否与灯具开关相连接，如果连接，关闭灯具开关时会切断电源。
 - ◆ 将充电器和电池组移至周围空气温度约为 65°F - 75°F (18° - 24°C) 的地方。如果充电问题仍然存在，请将工具、电池组和充电器送往当地 Stanley 服务中心。
- ◆ 当电池组无法像从前一样为作业轻松提供足够的电量时，必须进行充电。
- ◆ 在这些情况下请勿继续使用。请遵循充电程序。
- ◆ 您可以为已消耗部分电量的电池组充电，这不会对电池组造成不良影响。

插入或取出工具上的电池组

警告！ 安装或拆卸电池前，请确保锁定按钮已闭合以避免开关启动。

安装电池组

- ◆ 如图 B1 所示，将电池组紧紧插入工具中，直至听到“咔嗒”声。确保放好电池组并完全锁定到位。

取出电池组

- ◆ 如图 B2 所示，按下电池释放按钮 (7)，然后从工具中拉出电池组。

触发开关和正/反转按钮 - 图 C

- ◆ 如图 C 所示，电钻通过按下和松开触发开关 (1) 开启和关闭。
- ◆ 触发开关按得越深，钻孔速度就越快。
- ◆ 正/反转控制按钮 (2) 可确定工具旋转方向，并可作为锁定按钮使用。
- ◆ 若要选择正向旋转，请松开触发开关，并按下工具右侧的正转/反转控制按钮。
- ◆ 如果要选择反向旋转，请按下工具左侧的正/反转控制按钮。
- ◆ 控制按钮的中心位置会将工具锁定在 关闭位置。改变控制按钮的位置时，请确保触发开关处于松开状态。

用途

调节扭矩控制 - 图 D

本工具配备用于选择操作模式以及设置扭矩以紧固螺钉的扭矩调节轴环 (3)。大螺丝和坚硬工件材料，比小螺丝和柔软工件材料需要更高的扭矩设置。

- ◆ 要在木材、金属和塑料上钻孔，可将轴环设置到轴孔位置符号处。
- ◆ 要执行螺旋操作，将轴环设置到所需设置。如果尚不知道相应设置，请执行下列操作：

- ◆ 将轴环设置到最低的扭矩设置。
- ◆ 拧紧第一个螺丝。
- ◆ 如果离合器在达到所需结果之前松脱，请增加轴环设置并继续拧紧螺丝。
- ◆ 重复直到设置正确为止。
- ◆ 对其余螺丝亦使用此设置。

双档开关 - 图 E

电钻的双档功能可换挡以获得更大的适用性。

- ◆ 若要选择低速高扭矩设置 (位置 1)，请关闭工具并让它停止转动。将换挡器按钮 (4) 滑离夹头。
- ◆ 若要选择高速低扭矩设置 (位置 2)，请关闭工具并让它停止转动。将换挡器按钮滑回夹头处。

注： 工具运行时切勿换挡。如果无法换挡，请确保双速换挡按钮已完全向前推动或完全向后推动。

自紧式夹头 - 图 F


警告！ 安装或拆卸零件前，请确保已取下电池组以避免开关启动。

插入钻头或其他附件：

- ◆ 握紧夹头 (5) 并以逆时针方向 (从夹头末端看) 旋转。
- ◆ 将钻头或其他附件完全插入夹头，然后以顺时针方向 (从夹头末端看) 旋转夹头，将其拧紧。

警告！ 不要尝试通过握住夹头前端和打开工具来拧紧或拧松钻头 (或任何其它附件)。更换附件时可能会导致夹头损坏和人身伤害。

锤击操作

将 SBH201 电钻的轴环转动至锤击符号 ，即可进行锤击操作。

在砖石材料上钻孔时，请使用锤击操作。

警告！ 当扭矩调节轴环位于电钻或冲击钻位置时，电钻的离合器将不会脱开。如果过载，电钻可能会失速，从而导致突然扭转。

拧螺丝

- ◆ 要拧紧紧固件，应将正/反按钮拨到左边。
- ◆ 要拧松紧固件，则将反转按钮拨到右边。

注： 当转换方向时，必须先松开触发开关。

钻孔

- ◆ 请只使用锋利的钻头。
- ◆ 依照安全指示，充分支撑和固定工件。
- ◆ 依照安全指示，视需要使用合适的安全装备。
- ◆ 依照安全指示，固定和维护工作区域。
- ◆ 慢慢地让电钻运转，轻轻地施压，直到钻头不会从所钻的洞中滑出为止。
- ◆ 用力方向需与钻头呈直线。请施加足够大的压力，保证钻头钻进所需，但不要大到马达失速或钻头倾斜。
- ◆ 双手牢牢握住电钻，一只手握住手柄，另一只手握住底部电池周围或辅助手柄 (如果有)。

- ◆ 请勿试图通过按下、松开触发开关来启动失速的电钻。否则会损坏电钻。
- ◆ 减轻压力并慢慢钻过洞的底部，以便将失速穿透的可能性降至最低。
- ◆ 从成孔中拉出钻头时，请保持马达运转。这样有助于避免钻头卡住。
- ◆ 确保开关可以将电钻启动和关闭。

在木材上钻孔

木材钻孔可以使用和钢材钻孔一样的麻花钻头或扁钻头。

钻头应锋利，且在钻孔时应经常拔出钻头来清理钻屑。

在金属材料上钻孔

在金属上钻孔时，请使用切削润滑剂。但铸铁和黄铜材料例外，应干钻。效果最佳的切削润滑剂是硫化切削油。

在砖石材料上钻孔

将电钻转换到“锤击模式”。只使用碳化钻头或砖石钻头。请参阅“钻孔”部分。在电钻上均匀施力，但不要用力过猛，一面使易碎材料破裂。如果钻屑平滑、均匀地流出，则表明钻孔速度适当。

LED 工作灯

通过按下触发开关 (1) 启动电钻时，集成的 LED 工作灯 (8) 会自动亮起，照亮工作区域。

注：工作灯是用于照亮紧邻的工作表面，不能当做手电筒使用。

钻头存储

钻头存储槽 (9) 内置在工具底座上。

故障排除

问题	可能原因	可能的解决方案
设备不启动。	未正确安装电池组。 电池组没有充电。	检查电池组的安装。 检查电池组是否需要充电。
插入电池后，装置立即启动	开关留在“开”的位置。	开关必需在“关”的位置，以避免工具在插入电池后立即启动。
电池组无法充电。	未将电池组插入充电器。 充电器未插电源。 周围气温太高或太低。	将电池组插入充电器，直至 LED 灯亮起。 将充电器插入正常工作的插座。 将充电器和电池组移至周围气温高于 40°F (45°C) 或低于 105°F (+40.5°C) 的地方。

问题	可能原因	可能的解决方案
装置突然关闭。	电池组已经达到最大热界限。 电池耗尽。(为了确保电池组的使用寿命最大化，装置会在电池耗尽时突然关闭。)	等待电池组冷却。 将电池组放在充电器上充电。

维护

本 Stanley 工具设计精良，可以长时间使用，而且只需极少的维护。要连续获得令人满意的工作效果，需要进行合适的工具维护和定期清洁。

除了定期清洁外，本充电器无需进行其他维护。

警告！ 对工具执行维护之前，请取出工具内的电池。清洁之前，先拔下充电器插头。

- ◆ 请使用软刷或干布定期清洁工具和充电器内的通风槽。
- ◆ 定期使用湿布清洁电机外壳。
请不要使用任何研磨性或基于溶剂的清洁剂。
- ◆ 定期打开夹头并轻敲以去除内部的任何粉尘。

保护环境



分类回收。由此符号标记的产品和电池不得与普通家庭垃圾一起处理。

产品和电池包含可恢复或回收的材料，从而降低对原材料的需求。请根据当地供给回收电子产品和电池。



分类回收使用过的产品和包装能够让材料得以再循环和再利用。再生材料的再利用有助于防止环境污染，并降低对原材料的需求。

某些当地政府可能会要求当地或市政的废物处理中心或新产品零售商提供家用电子产品回收服务。

备注

STANLEY 的政策是持续改进我们的产品，因此，我们保留随时更改产品规格的权利，恕不另行通知。标准设备和附件可能会因国家（地区）而异。不同国家（地区）的产品规格也可能会有所不同。并非所有的国家（地区）都可提供完整的产品系列。有关各产品系列的供货情况，请联系您当地的 STANLEY 经销商。

技术参数

SBH201		
电压	伏特 _{直流}	18 伏
空载转速	转/分	0-430/0-1700
最大扭矩	牛米	55
夹头尺寸	毫米	13
最大钻孔能力		
钢材/木材	毫米	13/35
重量	千克	1.5

充电器	SC201	SC202
输入电压	伏特 _{交流} 230	230
输出电压	伏特 _{直流} 18	18
电流	毫安 1000	2000
大约充电时间	分钟 80-240	40-120

电池	SCB20C	SCB20S	SCB20D STBL182	SCB20M STBL184
电压	伏特 _{交流} 18	18	18	18
电池容量	安时 1.3	1.5	2.0	4.0
类型	锂离子	锂离子	锂离子	锂离子

声压级根据 EN 60745:

声压级 (L_{pA}) 93.5 dB(A), 不确定度 (K) 3 dB(A)

声音功率 (L_{WA}) 104.5 dB(A), 不确定度 (K) 3 dB(A)

根据 EN 60745 确定振动总值 (triax 向量和):

在金属上钻孔 ($a_{h,D}$) 1.4 m/s^2 , 不确定度 (K) 1.5 m/s^2

无冲击力的螺丝安装 (a_h) 0.8 m/s^2 , 不确定度 (K) 1.5 m/s^2

在混凝土上冲击钻孔 ($a_{h,ID}$) 11.3 m/s^2 , 不确定度 (K) 1.5 m/s^2

設計用途

您的 Stanley SBH201 震動電鑽調扭起子機設計用於螺旋應用以及在木材、金屬、塑膠及軟質磚石上鑽孔。本工具適合專業、私人及非專業使用者操作。

請注意！各地區上市產品/配件不盡相同，請依台灣繁體中文說明書的內容為主。

安全指示

電動工具一般安全警告



警告！請閱讀安全警告及所有指示。不遵循下列的這些警告和指示可能會導致觸電、火災及/或嚴重傷害。

請妥善保存所有的警告與指示以備將來查閱。以下列示所有警告中的名詞「電動工具」是指電源驅動(插電)電動工具，或者電池驅動(充電)電動工具。

1. 工作場地安全

- 請保持工作場地清潔明亮。混亂或黑暗的場地會引發事故。
- 請勿在易燃環境，如有易燃液體、氣體或粉塵的環境中操作電動工具。電動工具產生的火花可能會引燃粉塵或煙霧。
- 請等待兒童和旁觀者離開之後才操縱電動工具。分心會導致您疏於控制。

2. 電氣安全

- 電動工具插頭必須與插座相符。切勿以任何方式改裝插頭。需接地的電動工具不能使用任何配接器插頭。使用未經改裝的插頭與相符的插座可降低觸電風險。
- 避免人體接觸接地表面，如管道、散熱片、爐灶和冰箱。若您的身體接地，會提高觸電的風險。
- 不得將電動工具暴露在雨中或潮濕環境中。水進入電動工具會提高觸電風險。
- 切勿濫用電線。請勿使用電線來搬運、拉動電動工具或拔出插頭。讓電線遠離熱、油、銳邊和活動部件。受損或纏繞的電線會增加觸電危險。
- 若要在戶外使用電動工具，請使用適合戶外使用的延長電線。採用適合室外使用的電線可降低觸電危險。
- 若必須在潮濕環境中操作電動工具，請使用受漏電保護器(RCD)保護的電源供應器。使用RCD可降低觸電風險。

3. 人身安全

- 保持警覺；在操作電動工具時，請留意所執行的操作並按照一般的程式執行。請勿在疲倦或在受到毒品、酒精或藥品的影響時使用電動工具。操作電動工具時，一時的注意力分散可能會導致嚴重人身傷害。

- 使用個人防護裝置。始終佩戴護目裝置。防護設備(例如在適當條件下使用的防塵面具、防滑安全鞋、安全帽或聽力保護裝置)可減少人身傷害。
- 避免意外啟動。連接電源及/或電池組、舉抬或搬運電動工具之前，請確定開關處於關閉位置。若搬運電動工具時將手指放在開關上，或者在電動工具開關開啟時將插頭插入電源插座，這兩種行為都會引發事故。
- 啟動電動工具之前，請卸下所有的調整鑰匙或扳手。遺留在電動工具旋轉部件上的扳手或鑰匙會導致人身傷害。
- 不要過度伸張雙手。時刻注意腳下與身體的平衡。如此可在意外情況下更好地控制電動工具。
- 適當穿著。請勿穿寬鬆衣服或佩戴飾品。讓您的頭髮、衣服和手套遠離活動部件。寬鬆衣服、佩飾或長髮可能會捲入活動部件中。
- 若配備用於連接排屑裝置、集塵設備的裝置，請確定正確連接和使用這些裝置。使用集塵設備可減少與粉塵有關的危險。

4. 電動工具的使用與注意事項

- 請勿超負荷使用電動工具。請根據您的應用使用正確的電動工具。若使用的電動工具正確無誤，該工具能以設計額定值更有效、更安全地執行工作。
- 若開關不能開啟或關閉電源，切勿使用該電動工具。若開關無法控制電動工具，則電動工具存在危險，必須予以維修。
- 在執行任何調整、更換配件或儲存工具之前，必須從電源上拔掉插頭及/或卸下電池組。此類預防性安全措施可降低電動工具意外啟動的風險。
- 將閒置的電動工具儲存在兒童無法接觸的地方，並且不要讓不熟悉電動工具或對這些使用指示不瞭解的人員操作電動工具。未經訓練的使用者操作電動工具會發生危險。
- 維護電動工具。檢查活動部件是否對準或卡住、是否存在任何破損情況，或任何能影響電動工具運行的其他情況。若有損毀，必須在使用之前修理電動工具。許多事故都是由於電動工具欠缺維護所導致。
- 保持切削工具鋒利和清潔。妥善維護、刀鋒鋒利的刀具卡住的可能性更低，更易於控制。
- 使用電動工具、配件和工具刀頭等時，請遵循這些指示使用，且指示須包含工作環境和所要執行工作的注意事項。若使用電動工具執行與設計用途不相符的操作，會導致危險。

5. 電池工具的使用與注意事項

- 只能使用製造廠商指定的充電器為電池充電。使用僅適合一種電池組的充電器為其他類型的電池組充電會導致火災危險。
- 請使用原廠的電動工具電池組。使用其他非原廠的電池組會導致人身傷害和火災危險。

- c. 不使用電池組時，請將其遠離如迴紋針、硬幣、鑰匙、釘子、螺絲以及其他可連通電池兩極的金屬物品。將電池兩極短路會導致灼傷或火災。
 - d. 濫用電池的情況下，液體會從電池中噴出；避免與液體接觸。若不小心接觸液體，請用清水沖洗。若液體噴濺到眼睛上，沖洗之後還要進行治療。從電池噴出的液體會刺激皮膚或造成灼傷。
6. 檢修
- a. 本電動工具必須由合格的維修人員並只採用相同的替換零件來執行檢修。如此可確保維持電動工具的安全性。

電動工具之附加安全警告



警告！電鑽/電鑽起子之附加安全警告

- ◆ 請在使用震動電鑽時佩戴聽力保護器。噪音會使聽力受損。
- ◆ 請使用工具隨附的輔助手柄。工具失控會導致人身傷害。
- ◆ 若在執行操作時切削配件可能會接觸隱藏的電線，請從絕緣手柄表面握住電動工具。若切削配件接觸到「帶電」導線，電動工具金屬部件表面就會「帶電」，從而導致操作人員觸電。
- ◆ 若執行操作時扣件可能接觸隱藏的電線，請從絕緣手柄表面握住電動工具。若扣件接觸到「帶電」導線，電動工具金屬部件表面就會「帶電」，從而導致操作人員觸電。
- ◆ 使用夾具或採取其他可行的方法，將工件固定、支撐到穩定的平台上。手持工件或用身體抵住工件會使工件不穩定並可能導致失控。
- ◆ 在牆上、地板和天花板上鑽孔之前，請檢查電線和鋼管位置。
- ◆ 不要在鑽孔後立刻碰觸可能還帶熱的鑽頭尖端。
- ◆ 本說明手冊中描述了設計用途。使用非本說明手冊所建議的任何其他配件或附件，或使用本工具執行本說明手冊中所建議之外的任何其他操作，可能會導致人身傷害及/或財損的風險。

他人的安全

- ◆ 生理、感覺或心理機能不健全的人員(包括兒童)或缺乏經驗及知識的人員，除非由負責其安全的人員提供有關使用此器具的監督或指示，否則不得使用本工具。
- ◆ 必須對兒童進行監督，以確保其不會玩弄本器具。

殘餘風險

使用工具時可能會出現未包括在隨附的安全警告中的其他剩餘風險。濫用、長時間使用等也會導致這些風險。即使應用有關的安全規定並採用安全設備，仍然還

有一些無法避免的剩餘風險。此類風險包括：

- ◆ 接觸旋轉/活動部件引起的傷害。
- ◆ 變更任何零件、刀片或配件時引起的傷害。
- ◆ 長時間使用工具引起的傷害。若長時間使用工具，請確定定時休息。
- ◆ 聽力受損。
- ◆ 吸入使用工具時產生的粉塵引起的健康危害(譬如：在木材上使用時，尤其是櫟木、山毛櫸和中等密度纖維板(MDF))。

振動

技術資料與符合性聲明中公佈的振動發射值是依據 EN 60745 提供的標準測試方法進行量測，可用於工具間的比較。此外，所公佈的振動發射值還可以用於振動承受能力的初步評估。

警告！ 視工具的使用方式而定，實際使用電動工具時的振動發射值與聲明值會有所不同。振動級別可能高於所述級別。

評估振動承受能力以確定 2002/44/EC 對定期使用電動工具的工作人員提供保護所需的安全舉措時，對振動承受能力的評估應考慮到實際使用狀況與工具的使用方式，包括考慮到操作周期(除了觸發時間外，還包括諸如工具關閉時間與閒置時間)內的所有零件。

工具上的標籤

本工具上具有以下圖示與日期代碼：



警告！ 為了降低受傷的風險，使用者必須仔細閱讀使用手冊。



請在使用衝擊電鑽時佩戴聽力保護器。噪音會使聽力受損。

電池與充電器(工具不隨附)的附加安全指示

電池

- ◆ 無論什麼原因，都不要嘗試打開電池。
- ◆ 請勿將電池暴露在水中。
- ◆ 不要將電池儲存在溫度可能超過 40°C 的地方。
- ◆ 只在環境溫度介於 10°C 和 40°C 之間的情況下充電。
- ◆ 只能使用本工具隨附的充電器為電池充電。
- ◆ 處置電池時，請遵循「保護環境」部份所提供的指示執行。



切勿試圖為損毀的電池充電。

充電器

- ◆ 只能使用工具隨附的 Stanley 充電器為工具內的電池充電。其他電池可能會爆裂，導致人身傷害和損害。
- ◆ 切勿嘗試對非可充電電池進行充電。
- ◆ 立即更換損壞的電線。

- ◆ 請勿將充電器暴露在水中。
- ◆ 請勿打開充電器。
- ◆ 請勿刺破充電器。



本充電器僅供室內使用。



使用之前請閱讀使用手冊。

電氣安全



您的充電器採用雙重絕緣，因此不需要使用接地線。請務必檢查主電壓是否與銘牌一致。切勿嘗試使用一般的電源插頭取代充電器裝置。

- ◆ 若電源線受損，必須由製造商或授權的 Stanley 服務中心更換以避免危險。

功能部件

本工具包括以下部分或全部功能部件。

1. 觸發開關
2. 正/反轉按鈕
3. 扭矩調整環
4. 雙速排擋選擇器
5. 無鎖匙夾頭
6. 電池
7. 電池釋放按鈕
8. LED 工作燈
9. 鑽頭夾持器

使用

警告! 請勿使工具超出本身之設計速度操作。請勿過載。

為電池充電

第一次使用電池之前，以及電池無法像從前一樣為作業輕鬆提供足夠的電量時，就需要充電。電池在充電時可能會變熱；這是正常現象，並不表示出現問題。

警告! 請勿在環境溫度低於 10°C 或高於 40°C 的狀況下為電池充電。建議的充電溫度為大約 24°C。

附註： 若電池溫度低於約 10°C 或高於 40°C，充電器將不會為電池充電。電池應留在充電器中，電池溫度升高或降低後，充電器將自動開始充電。

- ◆ 放進電池組前，先將充電器的插頭插到適當的插座。
- ◆ 將電池組放進充電器。



綠色 LED 等將會閃爍，指示電池正在充電。



當綠色 LED 燈持續亮起時，代表充電完成。這個時候，電池組的電力全滿，可以立即使用或是留在充電器裡。

警告! 電池放電後應盡快充電，否則電池使用壽命可能大幅縮短。

充電器診斷

此充電器經過專門設計，能夠偵測電池組或電源可能出現的某些問題，並透過 LED 燈的不同閃爍模式來指示問題所在。

電池不良



充電器能夠偵測到電力不足或電池受損。紅色 LED 燈以標籤上標註的模式閃爍。如果您發現 LED 出現故障電池閃爍模式，請勿繼續對電池進行充電。請將電池送回維修中心或回收站進行回收。

電池組熱/冷延遲



若充電器偵測到電池過熱或過冷，會自動啟動電池組熱/冷延遲，在電池達到正常溫度之前暫停充電。隨後，充電器會自動轉換到電池組充電模式。這項功能有效延長電池的壽命。偵測到電池組熱/冷延遲時，紅色 LED 燈以標籤上標註的模式閃爍。

電源線路故障



若充電器搭配使用某些可攜式電源(例如發電機)或將 DC 轉換為 AC 的電源，充電器可能暫停作業。LED 燈的閃爍模式標註在標籤上。這表示電源超出限制。

將電池留在充電器中

充電器和電池組可以在 LED 亮起的情況下無限期地保持連接。充電器會讓電池組保持充滿電量的狀態。

重要充電說明

- ◆ 在空氣溫度介於 65°F 至 75°F (18° - 24°C) 之間的环境中充電可以達到最長的使用壽命和最佳的效能。請勿在空氣溫度低於 +40°F (+4.5°C) 或高於 +105°F (+40.5°C) 的環境中對電池組充電。這很重要，可以防止對電池組造成嚴重損壞。
- ◆ 充電器和電池組在充電時可能會變熱。這是正常現象，並不代表出現任何問題。使用後，為了加速電池組冷卻，請不要將充電器或電池組置於高溫環境中，例如金屬貨棚或非絕緣的拖車。

- ◆ 如果電池組沒有正常充電：
 - ◆ 在插座中插入燈具或其他電器的插頭，以檢查插座中是否有電流。
 - ◆ 檢查插座是否與燈具無關相連接，如果連接，燈具開關在關閉燈具時會切斷電源。
 - ◆ 將充電器和電池組移至空氣溫度約為 65°F - 75°F (18 - 24°C) 的環境中。若充電問題仍存在，請將工具、電池組及充電器送到當地的 Stanley 維修中心。
- ◆ 當電池組無法像從前一樣為作業輕鬆提供足夠的電量時，應該對其充電。
- ◆ 在此類情況下且勿繼續使用。請按充電程序進行充電。
- ◆ 如有需要，您還可對已使用部分電量的電池組進行充電，這對電池組不會有任何不良影響。

電池組安裝與移除

警告！ 卸下或安裝電池組之前，請確保鎖止按鈕已接合，以防止開關啟動。

安裝電池組

- ◆ 將電池組緊緊地插入工具，直到聽見一聲清晰的卡嗒聲，如圖 B1 所示。確保放好電池組並完全鎖定到位。

移除電池組

- ◆ 如圖 B2 所示，按下電池釋放按鈕 (7) 並從工具中取下電池組。

觸發開關和正/反轉按鈕 - 圖 C

- ◆ 電鑽透過拉動和鬆開圖 C 所示之觸發器開關 (1) 來開啟和關閉。愈用力擠壓觸發開關，電鑽便會以愈快的速度運轉。
- ◆ 正/反轉控制按鈕 (2) 決定工具的旋轉方向，同時具備鎖定關閉功能。
- ◆ 若要選擇正轉，請鬆開觸發開關，然後按下正/反轉控制按鈕。
- ◆ 若要選擇反轉，請按下工具左邊的正/反控制按鈕。
- ◆ 當控制按鈕處於中心位置時，工具會被鎖定在關閉位置。要改變控制按鈕的位置時，請確保觸發器已經鬆開。

使用

調節扭矩控制 - 圖 D

本工具有扭矩調整環 (3)，可藉此選取操作模式並設定扭緊螺釘的扭矩。大螺釘和堅硬工件材料，比小螺釘和柔軟工件材料需要更高的扭力設定。

- ◆ 為了在木材、金屬和塑膠上鑽孔，請將調整環設定到鑽孔位置符號。
- ◆ 若要執行螺旋操作，將調整環設定到所需設定。若您尚未知道應用設定，請執行下列操作：
 - ◆ 將調整環設定到最低的扭矩設定。
 - ◆ 鎖緊第一顆螺絲。

- ◆ 若在未達到預期的扭力值前離合器已鬆開，請提高調整環設定並繼續轉緊螺釘。
- ◆ 重復直到您達到正確設定為止。
- ◆ 對其餘螺釘使用此設定。

雙速開關 - 圖 E

藉助電鑽的二段離合器，您可進行換檔以獲得更大的適用性。

- ◆ 若要選擇低速、高扭矩設定 (位置 1)，請關閉工具並讓它停止轉動。將離合器按鈕 (4) 沿遠離夾頭的方向滑動。
- ◆ 若要選擇高速、低扭矩設定 (位置 2)，請關閉工具並讓它停止轉動。將換檔器按鈕沿朝向夾頭的方向滑動。

注： 工具運轉時不要換檔。如果無法換檔，請確保雙速換檔器按鈕已完全向前推動或完全向後推動。

無鎖匙夾頭 - 圖 F

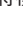
警告！ 在安裝或卸下配件前，確定電池組已取下，以防止工具啟動。

若要插入鑽頭或其他配件：

- ◆ 握住夾頭 (5) 並以逆時針方向 (從夾頭末端位置看來) 旋轉。
- ◆ 將鑽頭或其他配件完全插入夾頭，順時針方向 (從夾頭末端位置看來) 旋轉夾頭以將其扭緊。

警告！ 不要試圖以握住夾頭的前面部分並啟動工具來扭緊或鬆開鑽頭 (或其他任何配件)。更換附件時可能會導致夾頭損壞和人身傷害。

電鑽鑿操作

若要執行 SBH201 電鑽鑿操作，請將模式選擇環轉至鑿鑽符號 。

在磚石上鑽孔時請使用電鑽鑿操作。

警告！ 扭矩調節環處於鑽孔或鏈鑽位置時，鑽孔將不會離合。如果過載，電鑽可能會失速，導致突然旋轉。

螺絲螺旋操作

- ◆ 為了鑽入扣件，應將正/反轉按鈕推向左側。
- ◆ 若要擰鬆緊固件，則將反轉按鈕撥到右邊。

注： 由正轉向反轉移動時，一定要先鬆開觸發開關，反之亦然。

鑽孔

- ◆ 請僅使用鋒利的鑽頭。
- ◆ 依照安全說明，適當地支撐和固定工件。
- ◆ 依照安全說明，使用適當、必要的安全設備。
- ◆ 依照安全說明，固定和維護工作場地。
- ◆ 慢慢地讓電鑽運轉，輕輕地施壓，直到所鑽的孔足到讓鑽頭滑出為止。
- ◆ 以與鑽頭方向成一直線的方式施加壓力。使用足夠的壓力讓鑽頭持續穿透，但不要太用力以致讓電動機失速或鑽頭偏斜。

- ◆ 請雙手緊握電鑽，其中一隻手握住手柄，另一隻手握緊底部電池區域或輔助手柄 (若提供)。
- ◆ **不要按下又鬆開失速電鑽的觸發器以試圖啟動它，可能因此損壞電鑽。**
- ◆ 減輕施加的壓力並慢慢鑽穿孔的最後部分，以使將穿透失速的可能性降至最低。
- ◆ 將鑽頭從已鑽好的洞拔出時，讓電動機保持運轉。這有助於減少卡死情況。
- ◆ 確定開關可以將電鑽啟動和關閉。

在木材上鑽孔

木材鑽孔可以使用和鋼材鑽孔一樣的麻花鑽頭或扁鑽頭。

這些鑽頭應保持鋒利，且在鑽孔時應經常拔出鑽頭來清理鑽屑。

在金屬上鑽孔

在金屬上鑽孔時使用切割潤滑劑。鑄鐵和黃銅是例外，它們應保持乾燥而直接鑽孔。效果最佳的切割潤滑劑是硫化切割油。

在石材上鑽孔

將電鑽調至電錘模式請使用頂部為硬合金的磚石鑽頭。請參閱「鑽孔」部份。在電鑽上均勻施力，但在脆性材料上鑽孔時不要施力過大，以防其破裂。如果鑽屑平滑、均勻地流出，則表明鑽孔速度適當。

LED 工作燈

按下觸發開關 (1) 啟動電鑽時，集成的 LED 工作燈 (8) 會自動為工作區提供照明。

註：工作燈用於照亮緊鄰的工作表面，而不是設計作為手電筒使用。

鑽頭儲存區

鑽頭儲存槽 (9) 位於工具的底部。

疑難排解

問題	可能的原因	可能的解決方案
設備不會啟動。	電池組的安裝不正確。 電池組未充電。	檢查電池組的安裝。 檢查電池組的充電需求。
裝置在放入電池後立即啟動。	開關位於「開」位置。	必須將開關移至「關」位置，以防止放入電池時工具立即啟動。
電池組無法充電。	未將電池組放入充電器。 充電器未插電。 環境空氣溫度太高或太低。	將電池組放入充電器，直到 LED 燈亮起。 將充電器插入工作插座。 將充電器與電池組移至空氣溫度高於 40°F (45°C) 或低於 105°F (+40.5°C) 的環境中。

問題	可能的原因	可能的解決方案
裝置突然關閉。	電池組已達到其溫度上限。 電量耗盡。為了最大限度延長電池組的使用壽命，將電池組設計為在電量耗盡時突然關閉。	讓電池組冷卻。 將電池組放入充電器進行充電。

維護

您的 Stanley 工具採用卓越的設計，能夠長時間使用，並且只需最少的維護。若要持續獲得滿意的操作效果，需進行正確的工具維護和定期的清潔。

您的充電器除了定期清潔之外，並不需要執行任何維護操作。

警告！對工具執行任何維護之前，請卸下工具內的電池。清潔之前請拔下充電器的插頭。

- ◆ 請定期使用軟刷或軟布清潔工具和充電器內的通風槽。
- ◆ 定期使用濕布清潔電機外殼。
請勿使用任何研磨性或溶劑型清潔劑。
- ◆ 請定期打開夾頭並輕敲以去除內部的任何塵埃。

保護環境



分類回收。帶有此標誌的產品和電池必須與一般家庭廢物分開處置。

產品和電池包含可重複使用或回收的材料，可降低對原材料的需求。請根據當地法規回收電氣產品和電池。



透過分開收集用過的產品與包裝，可以實現材料的循環再生利用。某些當地政府可能要求當地或市政廢物回收中心，或新產品的零售

商提供電子家用產品的回收服務。

某些當地政府可能要求當地或市政廢物回收中心，或新產品的零售商提供電子家用產品的回收服務。

備註

STANLEY 的政策是持續改善我們的產品，因此，我們保留隨時變更產品規格的權利，恕不另行通知。標準裝置和配件可能會根據不同的國家/地區而有所不同。

產品規格可能會根據不同的國家而有所不同。並非所有的國家/地區都將提供完整的產品系列。如需瞭解產品系列的供應情況，請聯絡您當地的 STANLEY 代理商。

技術資料

SBH201		
最大/標稱電壓	伏特 _{直流}	20/18V
空載轉速	轉/分	0-430/0-1700
最大扭矩	Nm	55
夾頭尺寸	mm	13
最大鑽孔效能		
鋼材/木材	mm	13/35
重量	kg	1.5

充電器		SC201	SC202
輸入電壓	伏特 _{交流}	110	110
輸出電壓	伏特 _{直流}	18	18
電	mA	1000	2000
大約充電時間	分鐘	80-240	40-120

電池		SCB20C	SCB20S	SCB20D	SCB20M
				STBL182	STBL184
最大/標稱電壓	伏特 _{交流}	20/18	20/18	20/18	20/18
電池容量	Ah	1.3	1.5	2.0	4.0
類型		鋰離子電池	鋰離子電池	鋰離子電池	鋰離子電池

聲壓級別根據 EN 60745 :

聲壓級別 (L_{pA}) 93.5 dB(A), 不確定度 (K) 3 dB(A)聲音功率 (L_{WA}) 104.5 dB(A), 不確定度 (K) 3 dB(A)

依據歐盟 EN 60745 標準確定的總振動值(三軸矢量和) :

鑽入金屬 ($a_{h,D}$) 1.4 m/s², 不確定度 (K) 1.5 m/s²螺絲起子無衝擊 (a_h) 0.8 m/s², 不確定度 (K) 1.5 m/s²衝擊鑽成混凝土 ($a_{h,D}$) 11.3 m/s², 不確定度 (K) 1.5m/s²

請注意:

20V Max 為最大初始電池電壓 (無負載測量); 標稱電壓為 18V

進口商:新加坡商百得電動工具(股)公司台灣分公司

地址:台北市士林區德行西路 33 號 2 樓

電話: 02-28341741

總經銷商:永安實業股份有限公司

地址:新北市三重區新北大道二段 137 號

電話: 02-29994633

용도

스탠리 SBH201 햄머 드릴/드라이버는 나사를 조이거나 나무, 금속, 플라스틱 및 연성 석재의 드릴 작업용으로 설계되었습니다. 이 공구는 전문가 및 제품 사용 교육을 받은 개인 사용자용입니다.

지침

전동 공구에 관한 일반 안전 경고



경고! 안전 경고와 지시사항을 모두 읽으십시오. 아래 나열된 경고와 지시 사항을 준수하지 않으면 감전 및 화재 또는 심각한 부상을 초래할 수 있습니다.

향후 참고할 수 있도록 모든 경고 및 지시 사항을 보관해 두십시오. 아래의 모든 경고에서 사용된 "전동 공구"라는 말은 주 공급 전원에 의해 전기가 공급되는(유선) 전동 공구 또는 충전식(무선) 전동 공구를 의미합니다.

1. 작업장 안전

- 작업장을 청결하고 밝게 유지하십시오.** 혼잡하거나 어두운 작업장에서 사고가 발생하기 쉽습니다.
- 가연성 액체, 가스 또는 먼지 등이 있는 폭발성 대기에**서 전동 공구를 사용하지 마십시오. 전동 공구에서 먼지나 가스를 발화시킬 수 있는 불꽃이 튀 수 있습니다.
- 전동 공구로 작업하는 동안에는 어린이와 주변 사람들이 작업 영역에 가까이 들어오지 못하도록 하십시오.** 주변이 산만해져 통제력을 잃을 수 있습니다.

2. 전기 안전

- 전동 공구의 플러그는 콘센트와 형식이 일치해야 합니다.** 플러그를 어떤 방식으로든 절대 개조하지 마십시오. 접지된(지면 접지) 전동 공구에 어떤 어댑터 플러그도 사용하지 마십시오. 개조되지 않은 플러그 및 형식이 일치하는 콘센트를 사용하면 감전 위험이 줄어듭니다.
- 파이프 관, 라디에이터, 렌지, 냉장고 등의 접지 표면에** 물이 닿지 않도록 하십시오. 몸에 닿을 경우 감전이 될 위험이 높아집니다.
- 전동 공구를 비 또는 습한 환경에 노출하지 않도록 주의하십시오.** 전동 공구에 물이 들어가면 감전 위험이 높아집니다.
- 코드를 합부로 다루지 마십시오.** 코드를 사용하여 전동 공구를 운반하거나 잡아당기거나 플러그를 뽑지 마십시오. 전열코드가 열기 또는 오일과 접촉되는 것을 피하고, 날카로운 모서리 또는 기기의 기동 부위에 닿지 않도록 주의 하십시오. 코드가 손상되거나 얽혀 있으면 감전 위험이 높아집니다.
- 전동 공구를 실외에서 사용할 때는 실외 사용에 적합한 연장 코드를 사용하십시오.** 실외 사용에 적합한 코드를 사용하면 감전 위험이 줄어듭니다.
- 어쩔 수 없이 습한 장소에서 전동 공구를 사용해야 하는 경우에는 누전 차단기(RCD)로 보호된 전원을 공급 하십시오.**

누전 차단기(RCD)를 사용하면 감전의 위험이 줄어듭니다.

3. 신체 안전 사항

- 전동 공구로 작업할 때는 방심하지 말고 작업에 주의 하면서 상식에 따르십시오.** 피곤한 상태이거나 약물, 술, 치료제를 복용한 상태에서는 전동 공구를 사용하지 마십시오. 전동 공구를 사용하는 중에 주의력을 잃어 순간적으로 부상을 당할 수 있습니다.
- 신체 보호 장비를 착용하십시오.** 항상 보안경을 착용 하십시오. 적합한 상황에서 방진 마스크, 미끄럼 방지 안전화, 안전모 또는 청력 보호 기구 등의 보호 장비를 사용하면 신체 부상 위험이 줄어듭니다.
- 갑작스러운 장비 가동을 방지하십시오.** 전원 및/또는 배터리 팩에 연결한 상태로 공구를 선택 또는 운반할 때는 사전에 스위치가 꺼짐 위치에 있는지 반드시 확인하십시오. 스위치가 꺼짐 위치에 있는 상태에서 스위치에 손가락이 닿은 상태로 전동 공구를 운반하거나 전동 공구에 전원을 공급하면 사고가 발생합니다.
- 전동 공구를 켜기 전에 모든 조정 키 또는 레버를 제거하십시오.** 전동 공구의 회전 부품에 렌치나 키가 부착되어 있으면 부상을 당할 수 있습니다.
- 무리하게 팔을 뻗지 마십시오.** 항상 올바른 자세로 서서 균형을 유지 하십시오. 안정된 자세로 작업을 할 경우 전동 공구를 안전하게 사용할 수 있습니다.
- 적절한 의복을 착용하십시오.** 헐렁한 옷이나 장신구를 착용하지 마십시오. 머리카락, 옷 및 장갑이 움직이는 부품에 닿지 않도록 유의하십시오. 헐렁한 옷, 장신구 또는 긴 머리카락이 움직이는 부품에 걸 수 있습니다.
- 먼지 배출 및 집진 시설 연결을 위한 장치가 제공된 경우, 이들 장치가 연결되어 적절히 사용되고 있는지 반드시 확인하십시오.** 집진 장치를 사용하면 먼지와 관련된 위험을 줄일 수 있습니다.

4. 전동 공구 사용 및 관리

- 전동 공구에 무리한 힘을 가하지 마십시오.** 해당 용도에 맞는 올바른 전동 공구를 사용하십시오. 올바른 전동 공구를 사용해야 설계된 속도로 작업을 더욱 안전하고 정확하게 수행할 수 있습니다.
- 스위치 커짐/꺼짐이 되지 않는 전동 공구는 사용하지 마십시오.** 스위치로 제어되지 않는 전동 공구는 위험하므로 수리해야 합니다.
- 전동 공구를 조정하거나 액세서리를 변경하거나 보관하기 전에 전원 및/또는 배터리 팩에서 플러그를 빼십시오.** 이러한 예방적 안전 조치를 따라야 전동 공구가 갑자기 작동할 위험이 줄어듭니다.
- 사용하지 않는 전동 공구는 어린이의 손이 닿지 않는 곳에 보관하고, 전동 공구나 본 지시 사항에 익숙하지 않은 사람이 전동 공구를 절대 사용하지 못하게 하십시오.** 전동공구에 대한 훈련을 받지 않은 사용자가 전동공구를 함부로 다룰 경우 예기치 않은 사고를 초래할 수 있습니다.

- e. 전동 공구 유지 보수. 움직이는 부품의 잘못된 정렬이나 바인딩, 부품 파손 및 기타 전동 공구의 작동에 영향을 미칠 수 있는 상태가 있는지 확인하십시오. 손상된 부분이 있는 경우 사용하기 전에 전동 공구를 수리하십시오. 많은 사고는 전동 공구를 제대로 유지 보수하지 않아 발생합니다.
- f. 공구를 깨끗한 상태로 유지하십시오. 절삭 가장자를 예리하게 잘 유지하면 절삭기를 사용할 때 바인딩이 적고 다루기가 용이합니다.
- g. 작업 환경과 수행할 작업을 고려하여, 본 지시 사항에 따라 전동 공구, 액세서리 및 톨 비트 등을 사용하십시오. 본 사용 설명서의 내용과 다른 용도로 전동 공구를 사용하면 위험한 상황이 발생할 수 있습니다.

5. 배터리 공구 사용 및 관리

- a. 다시 충전할 때는 제조업체에서 지정한 충전기만 사용하십시오. 하나의 배터리 팩 유형에 적합한 충전기를 다른 배터리 팩과 함께 사용할 경우 화재의 위험이 있습니다.
- b. 전동 공구를 사용할 때는 구체적으로 지정되어 있는 배터리 팩만 사용하십시오. 다른 배터리 팩을 사용하면 부상을 입거나 화재의 위험이 있습니다.
- c. 배터리 팩을 사용하지 않을 때에는 클립, 동전, 키, 못, 나사 등의 금속 물체나, 단자 간에 연결할 수 있는 작은 금속 물체가 닿지 않도록 멀리 두십시오. 배터리 단자가 단락되면 화상을 입거나 화재가 발생할 위험이 있습니다.
- d. 배터리를 과다 사용하면 배터리액이 흘러 나올 수 있는데 접촉을 피하십시오. 실수로 접촉한 경우에는 물로 씻으십시오. 액체가 눈에 들어가면 치료를 받으십시오. 배터리에서 나온 액체는 통증을 유발하거나 화상을 입힐 수 있습니다.

6. 정비

- a. 자격을 갖춘 기술자가 동일 교체 부품을 사용하여 정비 작업을 수행해야 합니다. 그렇게 함으로써 전동 공구의 안전성을 오래 유지 할 수 있습니다.

전동 공구에 관한 추가 안전 경고



경고! 드릴/드라이버에 대한 추가 안전 경고

- ◆ 임팩트 드릴 작업 시 귀 보호 장비를 착용하십시오. E 소음에 노출되면 청력이 손상될 수 있습니다.
- ◆ 공구와 함께 제공되는 보조 핸들을 사용하십시오. 제어력을 잃으면 신체 부상을 당할 수 있습니다.
- ◆ 절삭 액세서리가 숨겨진 배선에 접촉할 수 있는 작업을 수행할 때는 절연된 손잡이 부분을 이용해 전동 공구를 쥐십시오. "전류가 흐르는" 전선에 접촉된 절삭 액세서리는 전동 공구의 노출된 금속 부품을 "전류가 흐르는" 상태로 만들어 작업자를 감전시킬 수 있습니다.

- ◆ 잠금 장치가 숨겨진 배선에 접촉할 수 있는 작업을 수행할 때는 절연된 그림핑 표면이 닿도록 하여 전동 공구를 잡으십시오. "전류가 흐르는" 전선에 접촉된 패스너는 전동 공구의 노출된 금속 부품을 "전류가 흐르는" 상태로 만들어 작업자를 감전시킬 수 있습니다.
- ◆ 클램프 또는 다른 적절한 방식을 이용하여 안정된 작업대에 작업 공구를 고정시키거나 지지하십시오. 작업물을 손으로 잡거나 몸으로 지탱하는 행동은 불안정하여 제어력을 잃을 수 있습니다.
- ◆ 벽, 바닥 또는 천장에 드릴 작업을 하기 전에 배선 및 파이프의 위치를 확인하십시오.
- ◆ 드릴 작업을 한 후에는 드릴 끝이 뜨거울 수 있으므로 만지지 마십시오.
- ◆ 본 사용 설명서에 제품의 용도가 설명되어 있습니다. 본 사용 설명서에서 권장하는 방식 이외의 다른 방식으로 본 공구를 조작하거나 액세서리 또는 부착물을 사용하는 경우 신체 부상의 위험이 있거나 재산상의 손해가 발생할 수 있습니다.

다른 사람들의 안전

- ◆ 이 공구는 신체, 지각 또는 정신 능력이 낮거나 경험 및 지식이 부족한 사람(어린이 포함)이 사용하도록 설계되지 않았습니다. 이러한 사람이 사용할 때는 안전 책임자의 감독 또는 제품 사용과 관련된 지시 사항이 필요합니다.
- ◆ 어린이가 본 제품을 가지고 놀지 못하도록 항상 주시해야 합니다.

기타 발생 가능한 위험

공구를 사용할 때 동봉된 안전 경고에 포함되어 있지 않은 기타 발생 가능한 위험들이 있을 수 있습니다. 이러한 위험은 오용, 장시간 사용 등으로 인해 발생할 수 있습니다.

관련된 안전 규정을 준수하고 안전 장치를 사용한다고 해도 어떤 위험은 피할 수 없습니다. 이러한 위험으로는 다음과 같은 것들이 있습니다.

- ◆ 회전 부품이나 작동 부품을 만져 발생하는 부상.
- ◆ 부품, 톨날 또는 액세서리 변경으로 인한 부상.
- ◆ 장시간에 걸친 공구 사용으로 인한 부상. 어떤 공구이든 장시간에 걸쳐 사용할 때는 반드시 정기적인 휴식을 취하십시오.
- ◆ 청력 손상.
- ◆ 공구 사용 중에 발생하는 먼지를 호흡하여 유발되는 건강 위해성(예: 목재, 특히 오크, 너도밤나무 및 MDF 가공 작업).

진동

기술 데이터에 표기된 진동 방출 값은 EN 60745에서 제공되는 표준 테스트 방법에 따라 측정되었으므로 한 공구를 다른 공구와 비교하는 데 사용할 수 있습니다. 표기된 진동 방출 값은 노출에 대한 예비 평가를 위해서도 사

용할 수 있습니다.

경고! 전동 공구를 실제로 사용하는 동안의 진동 방출 값은 공구를 사용하는 방법에 따라 표기한 값과 다를 수 있습니다. 진동 레벨이 표시된 레벨 이상으로 증가할 수 있습니다.

직장에서 전동 공구를 정기적으로 사용하는 사람의 부상을 방지하기 위해서는 2002/44/EC에서 요구하는 안전 조치를 확인하기 위해 진동 폭로를 평가할 때, 진동 폭로 평가에서는 작동 시간에 더해, 공회전한 때와 공구를 꺼둔 시간 등 작업 주기의 모든 부분을 고려하는 것을 포함하여, 실제 사용 조건과 공구를 사용하고 있는 방식을 고려해야 합니다.

공구 레벨

공구에는 날짜 코드와 함께 다음과 같은 기호가 표시되어 있습니다.



경고! 부상 위험을 줄이려면 사용자는 사용 설명서를 주의 깊게 읽어야 합니다.



임팩트 드릴 사용 시 귀 보호 장비를 착용하십시오.
소음에 노출되면 청력이 손상될 수 있습니다.

배터리와 충전기(공구와 함께 제공되지 않음) 관련 추가 안전 지시 사항

배터리

- ◆ 어떤 이유든 배터리 팩을 절대 열려고 하지 마십시오.
- ◆ 배터리에 물이 닿지 않도록 하십시오.
- ◆ 온도가 40°C를 초과할 수 있는 곳에 보관하지 마십시오.
- ◆ 주변 온도가 10°C - 40°C 사이에 있을 때에만 충전하십시오.
- ◆ 충전할 때는 이 공구와 함께 제공된 충전기만 사용해야 합니다.
- ◆ 배터리를 폐기할 때는 "환경 보호" 섹션에 나와 있는 지시 사항을 따르십시오.



손상된 배터리를 충전하지 마십시오.

충전기

- ◆ 공구와 함께 제공된 배터리를 충전할 때는 스탠리 충전기만 사용하십시오. 다른 배터리를 사용하면 배터리가 폭발하여 신체 부상 및 손상을 초래할 수 있습니다.
- ◆ 절대로 비충전식 배터리를 충전하려고 하지 마십시오.
- ◆ 손상된 코드는 즉시 교체하십시오.
- ◆ 충전기에 물이 들어가지 않도록 하십시오.
- ◆ 충전기를 해제하거나 열지 마십시오.
- ◆ 충전기 내부를 검사하지 마십시오.



충전기는 실내용으로만 사용합니다.



사용하기 전에 사용 설명서의 내용을 숙지하십시오.

전기 안전



본 충전기는 이중으로 절연되어 있으므로 접지가 필요 없습니다. 전원 전압이 명판에 기재된 전압과 일치하는지 항상 확인하십시오. 충전기를 절대로 일반 전원 플러그로 교체하지 마십시오.

- ◆ 전원 코드가 손상된 경우 사고가 발생하지 않도록 제조업체 또는 공인 스탠리 서비스 센터에서 교체해야 합니다.

기능

본 제품에는 다음 기능들 중 일부 또는 전체가 포함되어 있습니다.

1. 방아쇠 스위치
2. 전진/후진 버튼
3. 토크 조절 칼라
4. 2단 변속 기어 셀렉터
5. 키리스 척
6. 배터리
7. 배터리 탈착 버튼
8. LED 작업등
9. 비트 팁 홀더

사용법

경고! 공구를 정상 속도로 가동하십시오. 과부하가 발생하면 안 됩니다.

배터리 충전

배터리는 처음 사용하기 전에, 그리고 이전에 간단히 수행했던 작업에서 전력이 부족할 때마다 충전해야 합니다. 충전 중에 배터리가 뜨거워질 수도 있습니다. 이는 정상적인 현상이며 고장이 아닙니다.

경고! 주변 온도가 10°C 미만이거나 40°C 이상일 때는 배터리를 충전하지 마십시오. 권장 충전 온도: 약 24°C.

참고: 전지 온도가 10°C 미만이거나 40°C를 초과했을 때는 충전기가 배터리를 충전하지 않습니다.

배터리를 충전기에 남겨 둘 경우 전지 온도가 증가하거나 냉각되면 충전기가 자동으로 충전을 시작합니다.

- ◆ 배터리 팩을 넣기 전에 충전기를 적절한 콘센트에 꽂습니다.
- ◆ 배터리 팩을 충전기에 넣습니다.



배터리가 충전 중임을 나타내는 녹색 LED가 깜박거립니다.



충전이 완료되면 녹색 LED가 계속 켜져 있습니다. 팩이 완전히 충전되면 바로 사용하거나 충전기에 그대로 둡니다.

경고! 방전된 배터리는 사용 후 최대한 빨리 충전하십시오. 그렇지 않을 경우 배터리 수명이 크게 저하될 수 있습니다.

충전기 진단

본 충전기는 배터리 팩이나 전원에서 발생할 수 있는 특정 문제를 감지하도록 설계되었습니다. 문제가 발생하면 하나의 LED가 다른 패턴으로 깜박입니다.

배터리



충전기는 성능이 약하거나 손상된 배터리를 감지합니다. 적색 LED가 라벨에 표시된 패턴으로 깜박입니다. 불량 배터리를 나타내는 깜박임 패턴이 표시되면, 배터리 충전을 중단하십시오. 불량 배터리는 재활용을 위해 서비스 센터나 전용 분리 수거소에 반환해 주십시오.

냉/온 팩 지연



충전기에서 너무 뜨겁거나 차가운 배터리가 감지되면, 냉/온 팩 지연이 자동으로 시작되어 배터리가 정상 온도가 될 때까지 충전이 중단됩니다. 이 과정이 끝나면, 충전기가 자동으로 팩 충전 모드로 전환됩니다. 이 기능은 배터리 수명을 최대한으로 보장하기 위한 것입니다. 냉/온 팩 지연이 감지되면 적색 LED가 라벨에 표시된 패턴으로 깜박입니다.

전선 문제 발생



충전기를 일부 휴대용 전원(DC에서 AC로 변환하는 발전기나 전원)으로 사용할 경우, 충전기의 작동이 일시적으로 중단될 수 있습니다. LED가 라벨에 표시된 패턴으로 깜박입니다. 이는 전원이 범위를 벗어났음을 나타냅니다.

배터리를 충전기에 두기

충전기와 배터리 팩이 연결된 상태로 둘 수 있는데, 이 경우 충전 표시등은 계속 켜진 상태로 유지됩니다. 충전기는 배터리 팩을 새롭게 완전 충전된 상태로 유지시킵니다.

중요한 충전 참고사항

- ◆ 65°F ~ 75°F(18°- 24°C)의 기온에서 배터리 팩을 충전할 경우 최장 수명과 최고의 성능을 얻을 수 있습니다. +40°F (+4.5°C) 이하 또는 +105°F (+40.5°C) 이상의 기온에서는 배터리 팩을 충전하지 마십시오. 이는 매우 중요한 점으로서 배터리 팩의 심각한 손상을 예방하기 위한 것입니다.

- ◆ 충전기와 배터리 팩은 충전 중에 뜨거워집니다. 이는 정상적 현상이며 고장이 아닙니다. 사용 후 배터리 팩을 손쉽게 식히려면 충전기나 배터리 팩을 금속 창고 또는 비절연 트레이러와 같은 고온의 환경에 두지 마십시오.
- ◆ 배터리 팩이 제대로 충전되지 않을 경우 다음과 같이 조치를 취합니다.
 - ◆ 램프나 기타 기기의 플러그를 콘센트에 꽂아서 전류가 흐르는지 확인합니다.
 - ◆ 전등의 스위치를 꺼서 해당 전등이 꺼지는지 확인해 보으로써 그 스위치가 콘센트에 연결되어 있는지 판단합니다.
 - ◆ 충전기와 배터리 팩을 주변 기온이 약 65°F ~ 75°F (18°- 24°C)인 위치로 옮깁니다. 충전 문제가 해결되지 않으면 공구, 배터리 팩 및 충전기를 해당 지역의 스탠더 서비스 센터로 가져가십시오.
 - ◆ 이전에 쉽게 수행했던 작업에 대해 충분한 힘을 발휘하지 못하는 배터리 팩은 재충전해야 합니다.
 - ◆ 그러한 상황에서는 사용을 중단하십시오. 충전 절차를 따르십시오.
 - ◆ 부분적으로 사용한 팩도 원할 때마다 충전할 수 있으며 이 경우 배터리 팩에는 유해한 영향이 전혀 없습니다.

공구에 배터리 팩 장착 및 제거

경고! 배터리를 장착하거나 제거할 때는 반드시 잠금 해제 버튼을 고정시켜 실수로 스위치가 작동되는 것을 방지해야 합니다.

배터리 팩 설치 방법:

- ◆ 그림 B1과 같이 찰칵 소리가 들릴 때까지 배터리 팩을 공구에 삽입합니다. 배터리 팩이 완전히 장착되어 제 위치로 완전히 들어갔는지 확인하십시오.

배터리 팩 분리 방법:

- ◆ 그림 B2와 같이 배터리 탈착 버튼(7)을 누른 채 공구에서 배터리 팩을 빼십시오.

방아쇠 스위치 및 전진/후진 버튼 - 그림 C

- ◆ 그림 C와 같이 방아쇠 스위치(1)를 당겼다 놓으면 드릴이 켜졌다 꺼집니다. 트리거를 강하게 당길수록 드릴 작동 속도는 높아집니다.
- ◆ 전진/후진 제어 버튼(2)은 공구의 회전 방향을 결정하며 락오프 버튼 역할도 합니다.
- ◆ 전진 회전을 선택하려면 방아쇠스위치를 놓고 공구 오른쪽에 있는 전진/후진 제어 버튼을 눌러줍니다.
- ◆ 후진을 선택하려면 공구 왼쪽에서 전진/후진제어 버튼을 눌러줍니다.
- ◆ 제어 버튼이 중앙에 있으면 공구가 꺼진 상태로 잠기게 됩니다. 제어 버튼의 위치를 변경할 때는 반드시 트리거를 놓아야 합니다.

사용법

토크 제어 조절 - 그림 D

이 공구에는 토크 조절 칼라(3)가 장착되어 있어 작동 모드를 선택하고 토크를 설정해서 나사를 조일 수 있습니다. 대형 나사 및 경질 작업물 재료는 소형 나사 및 연성 작업물 재료보다 더 높은 토크 설정이 필요합니다.

- ◆ 목재, 금속 및 플라스틱의 드릴 작업 시에는 칼라를 드릴 위치 기호로 설정합니다.
- ◆ 나사를 조일 때는 칼라를 원하는 설정으로 지정합니다. 적절한 설정을 모를 경우에는 다음과 같이 진행하십시오.
 - ◆ 칼라를 최저 토크 설정으로 놓습니다.
 - ◆ 첫 번째 나사를 조입니다.
 - ◆ 원하는 결과를 얻기 전에 클러치가 단계적으로 올라가면 칼라 설정을 증가시키고 나사를 계속 조입니다.
 - ◆ 정확하게 설정될 때까지 반복합니다.
 - ◆ 나머지 나사에도 이 설정을 사용합니다.

2단 변속 스위치-그림 E

드릴의 2단 변속 기능을 통해 기어를 바꿔서 다양한 기능을 발휘할 수 있습니다.

- ◆ 저속을 선택하고 토크를 높게 설정(위치 1)하려면, 공구를 꺼서 멈추게 합니다. 기어 변속장치 버튼(4)을 척에서 밀어냅니다.
- ◆ 고속을 선택하고 토크를 낮게 설정(위치 2)하려면, 공구를 꺼서 멈추게 합니다. 기어 변속장치 버튼을 뒤로 밀어냅니다(척 방향으로).

참고: 공구가 작동 중인 경우에는 기어를 변경하지 마십시오. 기어를 변경하는 데 문제가 있으면 2단 변속 기어 버튼을 완전히 앞으로 밀었는지 또는 완전히 뒤로 밀었는지 확인하십시오.

키리스 척 - 그림 F

경고! 액세서리를 설치하거나 제거하기 전에 공구 작동을 방지하기 위해 배터리 팩을 제거하십시오.

드릴 비트 또는 기타 액세서리를 삽입하려면 다음과 같이 조치합니다.

- ◆ 척(5)을 잡고, 척 끝에서 봤을 때 시계 반대 방향으로 척을 돌립니다.
- ◆ 비트 또는 다른 액세서리를 척에 완전히 끼우고, 척 끝에서 봤을 때 시계 방향으로 척을 돌려 단단히 조입니다.

경고! 척의 앞부분을 잡고 공구를 꺼서 드릴 비트(또는 기타 액세서리)를 조이거나 풀려고 시도하지 마십시오. 액세서리를 변경할 경우 척이 손상되거나 신체 부상이 발생할 수 있습니다.

햄머 동작

칼라를 돌려 햄머 기호 **T**에 맞추면 SBH201 드릴의 햄머 동작을 사용할 수 있습니다.

석재 드릴 작업 시에는 햄머 동작을 사용하십시오.

경고! 토크 조절 칼라가 드릴 또는 햄머 드릴 위치에 있으면 드릴이 팍 쏘여지지 않습니다. 과부하되어 급작스럽게 휴면 드릴이 고착될 수 있습니다.

나사 돌리기

- ◆ 패스너를 조일 경우, 전진/후진 버튼을 왼쪽으로 눌러야 합니다.
- ◆ 패스너를 제거할 경우에는 후진(오른쪽으로 민 버튼)을 사용합니다.

참고: 전진에서 후진으로 이동하거나, 그 반대의 경우에는 항상 방아쇠 스위치를 먼저 놓아야 합니다.

드릴 작업

- ◆ 날카로운 드릴 비트만 사용하십시오.
- ◆ 안전지침에 설명된 대로 작업물을 제대로 지지하고 고정하십시오.
- ◆ 안전 지침에 설명된 대로, 적절하고 필요한 안전 장비를 사용하십시오.
- ◆ 안전 지침에 설명된 대로, 작업 영역을 안전하게 유지하십시오.
- ◆ 드릴 비트가 밖으로 밀려나지 않을 만큼 충분한 구멍이 생길 때까지, 가벼운 압력을 가해서 아주 천천히 드릴을 작동하십시오.
- ◆ 항상 비트에 수직으로 압력을 가하십시오. 드릴 비트가 작업물을 파고들기에 충분한 압력을 가하되 모터가 고착되거나 비트가 변형될 정도로 강한 압력은 가하지 마십시오.
- ◆ 한 손은 핸들에, 그리고 다른 손은 배터리 주변의 하단 또는 보조 핸들(제공되는 경우)을 꼭 잡아, 양 손으로 드릴을 단단히 잡으십시오.
- ◆ **드릴이 고착되어 움직이지 않는 상태에서 드릴을 다시 작동시키기 위해 트리거를 당기고 놓는 동작을 취하지 마십시오. 드릴이 손상될 수 있습니다.**
- ◆ 구멍이 완전히 뚫릴 때까지 압력을 줄이고 느린 속도로 드릴 작업을 하면 자재를 뚫는 동안 고착되는 현상을 예방할 수 있습니다.
- ◆ 구멍을 뚫은 다음 비트를 빼낼 때도 모터를 가동 상태로 유지하십시오. 그래야 걸림 현상이 줄어듭니다.
- ◆ 스위치를 작동시켜 드릴이 켜지고 꺼지는지 확인하십시오.

목재 드릴 작업

금속용 트위스트 드릴이나 스페이드 비트로 목재를 뚫을 수 있습니다.

예리한 비트를 사용해야 하며, 드릴 작업 중 비트를 자주 빼내어 나선형 홈에 있는 부스레기를 털어 줍니다.

금속 드릴 작업

금속 드릴 작업 시에는 절삭 윤활유를 사용하십시오. 건조 상태로 드릴 작업을 해야 하는 추철과 황동의 경우는 예외입니다. 가장 효과적인 절삭 윤활유는 유황 처리된 절삭 오일입니다.

석재 드릴 작업

드릴을 '햄머 모드'로 바꿉니다. 카바이드 팁 석재 비트를 사용하십시오. 드릴링 섹션을 참조하십시오. 드릴에 가하는 힘을 고르게 유지하되 취약한 재료가 깨지지 않을 정도로 힘을 주십시오. 먼지가 균일하고 부드럽게 빠져 나오면 드릴 속도가 적당한 것입니다.

LED 작업등

방아쇠 스위치(1)를 당겨 드릴이 작동되면, 통합 LED 작업등(8)이 작업 영역을 자동으로 비춥니다.

참고: 작업등은 인접한 작업대를 비추기 위한 것이며 손전등으로 사용하기 위한 것이 아닙니다.

비트 팁 보관

비트 보관 슬롯(9)은 공구 하단에 내장되어 있습니다.

문제 해결

문제	가능한 원인	가능한 해결책
기기가 작동하지 않습니다.	배터리 팩이 제대로 설치되지 않았습니까? 배터리 팩이 충전되지 않았습니까?	배터리 팩 설치를 확인하십시오. 배터리 팩 충전 요구 사항을 확인하십시오.
배터리를 끼우는 즉시 기기가 작동되기 시작합니다.	스위치가 "on" 위치에 있었습니다.	배터리를 끼웠을 때 공구가 즉시 시작되지 않도록 하려면 스위치를 "off" 로 이동해야 합니다.
배터리 팩이 충전되지 않습니다.	배터리 팩이 충전기에 삽입되지 않았습니다. 충전기 전원 플러그를 꽂지 않았습니다. 주변 기온이 너무 뜨겁거나 차갑습니다.	LED가 점등될 때까지 배터리 팩을 충전기에 끼우십시오. 충전기의 전원 플러그를 작동하는 콘센트에 꽂으십시오. 충전기와 공구를 섭씨 45°C (40 도 F) 이상 또는 섭씨 +40.5°C (105 도 F) 미만의 온도 환경으로 옮기십시오.
기기가 갑자기 꺼집니다.	배터리 팩이 최대 열 한계에 도달했습니다. 방전되었습니다. (배터리 팩의 수명을 극대화하기 위해 충전량이 급격히 감소하면 갑자기 꺼지도록 설계되어 있습니다)	배터리 팩을 식혀 주십시오. 충전기에 넣고 충전하십시오.

유지 보수

스탠리 전동 공구는 최소한의 유지 보수로 장기간에 걸쳐 작업이 가능하도록 설계되어 있습니다. 만족스러운 연속 작동은 적절한 공구 관리와 정기적인 청소에 따라 그 성능이 달라질 수 있습니다.

충전기는 정기적인 청소 이외에 유지 보수가 필요하지 않습니다.

경고! 공구를 유지 보수하려면 먼저 공구에서 배터리를 분리하십시오. 충전기를 청소하기 전에 충전기의 플러그를 뽑으십시오.

- ◆ 부드러운 브러시와 마른 헝겊으로 공구 및 충전기의 환기 슬롯을 주기적으로 청소하십시오.
- ◆ 젖은 헝겊으로 모터 하우징을 주기적으로 청소하십시오.
연마제 및 유성 클리너를 사용하지 마십시오.
- ◆ 척을 주기적으로 열고 가볍게 두드려 내부의 먼지를 털어내십시오.

환경 보호



분리 수거. 이 기호가 표시된 제품과 배터리를 일반 가정용 쓰레기와 함께 처리하면 안 됩니다.

제품과 배터리에는 재용되거나 재활용되고 고철 자원에 대한 수요를 줄일 수 있는 자재가 포함되어 있습니다. 전기 제품과 배터리는 지역 규정에 따라 재활용하십시오. 사용하던 제품과 포장을 분리 수거하면 자원을 재활용 및 재사용할 수 있습니다. 재활용 자원을 이용하면 환경 오염이 방지되고 고철 자원에 대한 수요를 줄일 수 있습니다. 일부 지방 정부는 가정에 가전제품 재활용 서비스를 제공하기 위해 지역 또는 지방 자치체의 폐기물 처리 센터 또는 신제품 소매점이 필요할 수 있습니다.

참고

STANLEY의 정책은 제품을 지속적으로 개선시키는 것이기 때문에 사전 통지 없이 제품 사양이 변경될 수 있습니다. 기본 장비 및 액세서리 구성은 각 국가에 따라 다를 수 있습니다. 제품 사양은 국가에 따라 다를 수 있습니다. 국가에 따라 판매하지 않는 제품도 있을 수 있습니다. 제품 판매 여부는 해당 지역에 있는 스탠리 판매점으로 문의하십시오.

기술 데이터

SBH201		
전압	V_{DC}	18V
무부하 속도	분 ⁻¹	0-430/0-1700
최대 토크	Nm	55
척 용량	mm	13
최대 드릴 용량		
철재/목재	mm	13/35
무게	kg	1.5

충전기		SC201	SC202
입력 전압	V_{AC}	230	230
출력 전압	V_{DC}	18	18
전류	mA	1000	2000
대략적 충전 시간	분	80-240	40-120

	배터리	SCB20C	SCB20S	SCB20D	SCB20M
				STBL182	STBL184
전압	V_{AC}	18	18	18	18
용량	Ah	1.3	1.5	2.0	4.0
종류		리튬 이온	리튬 이온	리튬 이온	리튬 이온

EN 60745에 따른 음압 레벨:

음압(L_{pA}) 93.5 dB(A), 불확실성(K) 3 dB(A)음압(L_{WA}) 104.5 dB(A), 불확실성(K) 3 dB(A)

EN 60745에 따른 총 진동 값(triax 벡터 합계):

금속 드릴 작업($a_{h,D}$) 1.4 m/s², 불확실성 (K) 1.5 m/s²충격 없이 나사 조이기($a_{h,I}$) 0.8 m/s², 불확실성 (K) 1.5 m/s²콘크리트에서의 임팩트 드릴 작업($a_{h,ID}$) 11.3 m/s², 불확실성 (K) 1.5m/s²

Tujuan penggunaan

Bor/obeng palu Stanley SCH201 Anda dirancang sebagai obeng serta bor kayu, logam, plastik, dan batuan lunak. Alat ini ditujukan untuk pengguna profesional dan pribadi dan non-profesional.

PETUNJUK KESELAMATAN

Peringatan umum untuk keselamatan perkakas listrik



Perhatian! Baca seluruh peringatan keselamatan dan seluruh petunjuk. Kegagalan mengikuti peringatan dan petunjuk yang tercantum di bawah ini dapat mengakibatkan sengatan listrik, kebakaran, dan/atau cedera berat.

Simpan semua peringatan dan petunjuk untuk referensi di masa mendatang. Istilah "alat listrik" dalam semua peringatan yang tercantum di bawah mengacu pada alat listrik yang dioperasikan menggunakan listrik (berkabel) atau alat listrik yang dioperasikan menggunakan baterai (nirkabel).

1. Keselamatan area kerja

- a. **Jaga agar area kerja tetap bersih dan terang.** Area yang berantakan atau gelap berpotensi mengakibatkan kecelakaan.
- b. **Jangan operasikan alat listrik di lingkungan yang dapat meledak, misalnya jika terdapat cairan, gas, atau debu yang mudah terbakar.** Alat listrik menimbulkan percikan api yang dapat menyulut debu atau uap.
- c. **Jauhkan anak-anak dan orang-orang di sekitar Anda saat mengoperasikan alat listrik.** Gangguan dapat menyebabkan Anda kehilangan kendali.

2. Keselamatan kelistrikan

- a. **Steker perkakas listrik harus sesuai dengan soketnya. Jangan pernah memodifikasi steker dengan cara apa pun. Jangan gunakan steker adaptor apa pun dengan alat listrik yang dibumikan (grounded).** Steker yang tidak dimodifikasi dan stopkontak yang sesuai akan mengurangi risiko sengatan listrik.
- b. **Hindari kontak badan dengan permukaan yang dibumikan (grounded), seperti pipa, radiator, kompor, dan kulkas.** Risiko sengatan listrik dapat meningkat jika tubuh Anda bersentuhan dengan permukaan yang dibumikan.
- c. **Jangan sampai alat listrik ini terkena hujan atau terpapar ke kondisi yang basah.** Air yang masuk ke alat listrik akan meningkatkan risiko sengatan listrik.
- d. **Jangan menyalahgunakan kabel. Jangan sekali-kali menggunakan kabel untuk membawa, menarik, atau mencabut alat listrik. Jauhkan kabel dari panas,**

minyak, tepi tajam, atau komponen yang bergerak.

Kabel yang rusak atau terbelit meningkatkan risiko sengatan listrik.

- e. **Bila mengoperasikan perkakas listrik di luar ruangan, gunakan kabel sambungan yang sesuai untuk penggunaan di luar ruangan.** Menggunakan kabel yang sesuai untuk penggunaan di luar ruangan akan mengurangi risiko sengatan listrik.
 - f. **Jika penggunaan alat listrik di lokasi yang lembap tidak dapat dihindari, gunakan suplai yang terlindungi oleh perangkat arus sisa (RCD).** Penggunaan RCD akan mengurangi risiko sengatan listrik.
- 3. Keselamatan diri**
- a. **Tetap waspada, perhatikan apa yang Anda kerjakan dan gunakan akal sehat saat mengoperasikan perkakas listrik. Jangan mengoperasikan alat listrik bila Anda sedang lelah, atau berada di bawah pengaruh obat, alkohol, atau pengobatan.** Kelengahan sesaat saja saat mengoperasikan alat listrik dapat mengakibatkan cedera diri serius.
 - b. **Gunakan peralatan pelindung diri. Selalu kenakan alat pelindung mata.** Peralatan pelindung, seperti masker debu, sepatu keselamatan antiselip, helm proyek, atau pelindung telinga yang digunakan untuk kondisi yang sesuai akan mengurangi risiko cedera diri.
 - c. **Hindari menyalakan alat tanpa disengaja. Pastikan bahwa sakelar sudah dalam posisi mati sebelum menghubungkannya ke sumber listrik dan/atau baterai, mengambil, atau membawa alat.** Membawa alat listrik dengan jari Anda masih menempel pada tombol atau menghidupkan alat listrik yang tombolnya masih menyala akan berpotensi mengakibatkan kecelakaan.
 - d. **Lepaskan semua kunci setelah atau kunci pas sebelum menghidupkan alat listrik.** Kunci pas atau kunci yang dibiarkan terpasang pada komponen alat listrik yang berputar dapat mengakibatkan cedera diri.
 - e. **Jangan menjangkau melampaui batas. Selalu jaga pijakan dan keseimbangan yang baik.** Hal ini memungkinkan Anda untuk mengendalikan alat listrik secara lebih baik dalam situasi yang tidak terduga.
 - f. **Kenakan pakaian yang sesuai. Jangan mengenakan pakaian longgar atau perhiasan. Jauhkan rambut, pakaian dan sarung tangan dari komponen yang bergerak.** Pakaian yang longgar, perhiasan, atau rambut panjang dapat tersangkut pada komponen yang bergerak.
 - g. **Jika disediakan perangkat untuk sambungan fasilitas pengeluaran dan pengumpulan debu, pastikan alat ini dihubungkan dan digunakan dengan sesuai.** Penggunaan alat pengumpul debu dapat mengurangi bahaya yang ditimbulkan oleh debu.

4. Penggunaan dan pemeliharaan alat listrik

a. Jangan menggunakan perkakas listrik dengan paksa.

Gunakan alat listrik yang sesuai untuk aplikasi Anda.

Alat listrik yang tepat akan bekerja lebih baik dan aman pada tingkat kelajuan yang telah dirancang untuk alat itu.

b. Jangan gunakan alat listrik ini jika tombol tidak dapat menghidupkan dan mematikan alat.

Perkakas listrik apa pun yang tidak dapat dikendalikan dengan tombol adalah berbahaya dan harus diperbaiki.

c. Lepaskan stopkontak dari sumber listrik dan/atau baterai dari alat listrik sebelum melakukan penyetelan apa pun, mengganti aksesoris, atau menyimpan alat listrik.

Tindakan pencegahan untuk keselamatan seperti itu akan mengurangi risiko menyalakan alat listrik secara tidak disengaja.

d. Simpan alat listrik yang tidak digunakan jauh dari jangkauan anak-anak, dan jangan membolehkan orang yang tidak memahami alat listrik atau petunjuk ini untuk mengoperasikannya.

Alat listrik bisa berbahaya bila digunakan oleh pengguna yang tidak terlatih.

e. Rawat perkakas listrik. Lakukan pemeriksaan untuk mengetahui apakah ada komponen bergerak yang tidak sejajar atau bengkok, komponen yang patah, dan kondisi lainnya yang dapat memengaruhi pengoperasian perkakas listrik. Jika rusak, perbaiki alat listrik sebelum digunakan.

Banyak terjadi kecelakaan akibat perkakas listrik yang tidak terawat dengan baik.

f. Jaga ketajaman dan kebersihan alat pemotong. Alat pemotong yang terawat dengan baik dengan mata potong yang tajam akan kecil kemungkinannya untuk macet serta lebih mudah untuk dikendalikan.

g. Gunakan alat listrik, aksesoris, dan mata bor, dsb., sesuai petunjuk ini, dengan memperhitungkan persyaratan kerja dan jenis pekerjaan yang harus dilakukan. Penggunaan alat listrik untuk pengoperasian yang tidak sesuai dengan tujuan penggunaan dapat mengakibatkan situasi yang berbahaya.

5. Penggunaan dan pemeliharaan alat bertenaga baterai

a. Isi ulang daya baterai hanya dengan pengisi daya yang ditetapkan oleh pabrik.

Pengisi daya yang cocok untuk satu tipe baterai dapat menimbulkan risiko kebakaran jika digunakan pada baterai lainnya.

b. Gunakan alat hanya dengan baterai yang ditunjukkan secara khusus.

Penggunaan baterai lainnya dapat menimbulkan risiko cedera dan kebakaran.

c. Bila tidak dipakai, jauhkan baterai dari benda logam lainnya seperti klip penjepit kertas, koin, kunci, paku, sekrup, atau benda logam kecil lainnya yang dapat menimbulkan hubungan listrik dari satu terminal ke

terminal lainnya. Menghubungkan kedua terminal baterai dengan kabel secara tidak semestinya dapat mengakibatkan luka bakar atau kebakaran.

d. Pemakaian yang salah bisa menyebabkan keluarnya cairan dari baterai; hindari kontak. Jika tidak sengaja tersentuh, bilas dengan air. Jika cairan mengenai mata, carilah juga bantuan medis. Cairan yang keluar dari baterai dapat menyebabkan iritasi atau luka bakar.

6. Servis

a. Alat listrik sebaiknya diservis oleh teknisi yang berkualifikasi dan hanya menggunakan komponen pengganti yang persis sama. Hal ini akan membuat keamanan alat listrik selalu terjaga.

PERINGATAN TAMBAHAN UNTUK KEAMANAN PERKAKAS LISTRIK



Peringatan! Peringatan keselamatan tambahan untuk bor/obeng

- ◆ **Gunakan pelindung telinga saat menggunakan bor tumbuk.** Paparan terhadap kebisingan dapat menyebabkan kehilangan pendengaran.
- ◆ **Gunakan pegangan tambahan yang disertakan dengan alat ini.** Lepasnya kendali dapat menimbulkan cedera diri.
- ◆ **Pegang alat listrik pada permukaan pegangan berpenyekat saat melakukan pengoperasian di mana aksesoris pemotong dapat bersentuhan dengan kabel tersembunyi.**
Aksesoris pemotong yang bersentuhan dengan kabel bertegangan listrik dapat mengalirkan arus listrik pada komponen logam perkakas listrik dan mengakibatkan sengatan listrik pada pengguna.
- ◆ **Pegang alat listrik pada permukaan pegangan berpenyekat saat menjalankan operasi di mana alat penjepit dapat bersentuhan dengan kabel tersembunyi.** Alat penjepit yang bersentuhan dengan kabel bertegangan listrik dapat mengalirkan arus listrik pada komponen logam alat listrik dan mengakibatkan sengatan listrik pada pengguna.
- ◆ **Gunakan jepitan atau cara praktis lain untuk mengamankan dan menyangga benda kerja pada landasan yang stabil.** Memegang benda dengan tangan atau disandarkan pada tubuh Anda akan membuatnya tidak stabil dan dapat mengakibatkan hilangnya kendali.
- ◆ Sebelum mengebor tembok, lantai, atau langit-langit, periksa dulu penempatan kabel dan pipa.
- ◆ Hindari menyentuh ujung mata bor segera setelah mengebor, karena mungkin panas.
- ◆ Tujuan penggunaan dijelaskan dalam buku petunjuk ini. Menggunakan aksesoris atau peralatan tambahan, maupun mengoperasikan alat ini dengan cara yang tidak sesuai

dengan yang disarankan dalam panduan pengguna ini dapat menimbulkan risiko cedera tubuh dan/atau kerusakan benda-benda milik pribadi.

KESELAMATAN ORANG LAIN

- ◆ Alat ini tidak ditujukan untuk digunakan oleh orang (termasuk anak-anak) dengan keterbatasan kemampuan fisik, sensor, maupun mental, atau kurang pengalaman maupun pengetahuan, kecuali jika di bawah pengawasan atau menerima petunjuk tentang penggunaan peralatan oleh orang yang bertanggung jawab atas keselamatan mereka.
- ◆ Anak-anak harus diawasi agar mereka tidak bermain-main dengan peralatan ini.

Risiko-risiko lain

Risiko-risiko lain dapat timbul saat menggunakan alat, yang mungkin tidak tercantum dalam peringatan keselamatan yang disertakan. Risiko ini dapat timbul karena penggunaan yang salah atau penggunaan yang dalam jangka waktu yang lama, dll. Sekalipun peraturan keselamatan terkait sudah diterapkan dan peralatan pengaman sudah digunakan, risiko-risiko residual tidak dapat dihindari. Ini meliputi:

- ◆ Cedera yang diakibatkan karena menyentuh komponen yang berputar/bergerak.
- ◆ Cedera yang terjadi saat mengganti komponen, pemotong, atau aksesoris.
- ◆ Cedera yang diakibatkan karena penggunaan alat untuk waktu lama. Jika menggunakan alat apa pun untuk waktu yang lama, pastikan Anda mengistirahatkannya secara berkala.
- ◆ Kerusakan indera pendengaran.
- ◆ Bahaya kesehatan yang disebabkan oleh menghirup debu yang ditimbulkan oleh penggunaan alat (contoh:- mengebor kayu, khususnya kayu oak, beech, dan MDF.)

Getaran

Nilai emisi getaran tertera yang dinyatakan dalam data teknis dan pernyataan kesesuaian telah diukur sesuai dengan metode uji standar yang disediakan oleh EN 60745 dan dapat digunakan untuk membandingkan satu alat dengan alat yang lain. Nilai emisi getaran yang tertera juga dapat digunakan dalam penilaian paparan awal.

Peringatan! Nilai getaran emisi selama penggunaan alat listrik yang sebenarnya mungkin berbeda dengan nilai yang tertera tergantung pada cara penggunaan alat ini. Tingkat getaran dapat meningkatkan di atas tingkat yang tertera.

Saat menilai paparan getaran untuk menentukan tindakan keselamatan yang diharuskan oleh 2002/44/EC untuk melindungi orang-orang yang secara teratur menggunakan alat listrik dalam pekerjaannya, estimasi paparan getaran harus mempertimbangkan, kondisi penggunaan

sebenarnya dan cara alat tersebut digunakan, termasuk mempertimbangkan semua komponen saat sedang dioperasikan seperti ketika alat tersebut dimatikan dan ketika sedang tidak beroperasi selain mempertimbangkan waktu pemicu.

LABEL PADA ALAT

Simbol berikut beserta kode tanggal ditampilkan pada peralatan:



Peringatan! Untuk mengurangi risiko cedera, pengguna harus membaca buku petunjuk.



Gunakan pelindung telinga saat menggunakan bor tumbuk.

Paparan terhadap kebisingan dapat menyebabkan kehilangan pendengaran

Petunjuk keselamatan tambahan untuk baterai dan pengisi daya (Tidak disediakan dengan alat)

Baterai

- ◆ Jangan pernah membuka baterai dengan maksud apa pun.
- ◆ Jangan paparkan baterai pada air.
- ◆ Jangan simpan di lokasi yang suhunya melebihi 40 °C.
- ◆ Lakukan pengisian daya hanya pada suhu lingkungan antara 10 °C hingga 40 °C.
- ◆ Isi ulang daya hanya menggunakan pengisi daya yang disertakan bersama alat.
- ◆ Saat membuang baterai, ikuti petunjuk yang diberikan dalam bagian "Melindungi Lingkungan".



Jangan pernah mengisi ulang daya baterai rusak.

Pengisi daya

- ◆ Gunakan pengisi daya Stanley Anda hanya untuk mengisi ulang daya baterai dalam alat yang digunakan untuknya. Baterai lain dapat meledak, menyebabkan cedera diri dan kerusakan.
- ◆ Jangan pernah mengisi ulang daya baterai yang tidak dapat diisi ulang.
- ◆ Minta kawat yang rusak untuk segera diganti.
- ◆ Alat pengisi ulang daya jangan sampai terkena air.
- ◆ Jangan membuka pengisi daya.
- ◆ Jangan membongkar untuk memeriksa bagian dalam pengisi daya.



Pengisi daya ini hanya ditujukan untuk penggunaan di dalam ruangan.



Baca buku petunjuk sebelum penggunaan.

Keselamatan kelistrikan



Pengisi daya ini berisolasi ganda; oleh sebab itu tidak perlu kabel arde (ground). Selalu periksa apakah voltase listrik sudah sesuai dengan tegangan yang tercantum pada pelat spesifikasi. Jangan pernah mencoba untuk mengganti unit pengisi daya dengan steker listrik biasa.

- ◆ Jika kabel suplai rusak, kabel suplai harus diganti oleh pihak pabrik atau Pusat Servis Stanley resmi untuk menghindari bahaya.

FITUR-FITUR

Peralatan ini memiliki beberapa atau semua fitur berikut ini.

1. Sakelar Pemicu
2. Tombol Maju/Mundur
3. Cincin Penyesuai Torsi
4. Pemilih Persneling Rentang Ganda
5. Gagang Gerek Tanpa Tombol
6. Baterai
7. Tombol Pelepas Baterai
8. Lampu Kerja LED
9. Penahan Ujung Mata Bor

Penggunaan

Peringatan! Biarkan alat bekerja sesuai kecepatannya. Jangan dibebani berlebihan.

MENGISI ULANG DAYA BATERAI

Baterai perlu diisi ulang sebelum penggunaan pertama dan setiap kali baterai tidak mampu menghasilkan daya yang memadai untuk mengerjakan pekerjaan yang sebelumnya mudah dilakukan. Baterai akan menghangat pada saat diisi ulang; ini wajar dan tidak menandakan adanya masalah.

Peringatan! Jangan isi daya baterai pada suhu sekitar di bawah 10°C atau di atas 40°C. Suhu pengisian daya yang disarankan: sekitar 24 °C.

Catatan: Pengisi daya tidak akan mengisi ulang baterai jika suhu sel di bawah kurang lebih 10 °C atau di atas 40 °C. Baterai harus dibiarkan dalam pengisi daya, dan pengisi daya akan mulai mengisi ulang daya secara otomatis bilamana suhu sel menghangat atau mendingin.

- ◆ Sambungkan pengisi daya pada stop kontak yang sesuai sebelum memasukkan baterai.
- ◆ Masukkan baterai ke dalam pengisi daya.



LED hijau akan berkedip yang menunjukkan bahwa baterai sedang diisi dayanya.



LED hijau akan menyala terus menerus sebagai indikasi bahwa pengisian daya sudah selesai. Kemasan sudah terisi daya penuh dan dapat digunakan sekarang, atau dibiarkan di dalam pengisi daya.

Peringatan! Isi ulang baterai yang dayanya habis sesegera mungkin setelah penggunaan atau daya tahan baterai akan berkurang dengan drastis.

Diagnosis pengisi daya

Pengisi daya ini dirancang untuk mendeteksi masalah tertentu yang dapat muncul pada baterai atau sumber listrik. Adanya masalah ditunjukkan dengan satu LED yang berkedip dengan pola yang berbeda.

Baterai Buruk



Pengisi daya dapat mendeteksi baterai yang lemah atau rusak. LED merah berkedip dengan pola yang ditunjukkan pada label. Apabila pola kedipan baterai yang buruk ini terlihat, jangan lanjutkan pengisian daya baterai. Kembalikan baterai ke pusat layanan atau tempat pengumpulan untuk didaur ulang.

Penundaan Kemasan Panas/Dingin



Ketika pengisi daya mendeteksi baterai terlalu panas atau terlalu dingin, secara otomatis pengisi daya akan memulai Penundaan Kemasan Panas/Dingin, yaitu menunda pengisian daya sampai baterai normal kembali. Setelah hal ini terjadi, secara otomatis pengisi daya beralih ke mode Pengisian Daya Kemasan. Fitur ini memastikan masa pakai baterai maksimum. LED merah berkedip dengan pola yang ditunjukkan pada label saat penundaan kemasan Panas/Dingin terdeteksi.

Masalah Saluran Listrik



Ketika alat pengisi daya digunakan dengan beberapa sumber listrik portabel seperti generator atau sumber yang mengonversi DC ke AC, alat pengisi daya mungkin berhenti beroperasi sementara waktu. LED berkedip dengan pola yang ditunjukkan pada label. Ini menunjukkan bahwa sumber listrik melebihi batas.

Meninggalkan baterai dalam pengisi daya

Pengisi daya dan baterai dapat dibiarkan terhubung dengan lampu LED menyala tanpa batas waktu. Pengisi daya akan menjaga baterai tetap dalam kondisi baik dan terisi penuh.

CATATAN PENGISIAN DAYA PENTING

- ◆ Masa pakai terlama dan kinerja terbaik bisa didapatkan jika baterai diisi daya pada saat suhu udara sekitar 65°F dan 75°F (18° - 24°C). JANGAN mengisi daya baterai dalam suhu udara di bawah +40°F(+4,5°C), atau di atas +105°F (+40,5°C). Ini penting dan akan mencegah kerusakan parah pada baterai.
- ◆ Pengisi daya dan baterai bisa menjadi hangat saat tersentuh ketika sedang mengisi daya. Kondisi ini normal dan tidak menunjukkan adanya masalah. Untuk memudahkan pendinginan baterai setelah digunakan, jangan menempatkan pengisi daya atau baterai dalam lingkungan yang hangat seperti di gudang logam, atau trailer yang tidak berinsulasi.
- ◆ Jika baterai tidak mengisi daya dengan benar:
 - ◆ Periksa arus pada stopkontak dengan mencolokkan lampu atau peralatan lainnya.
 - ◆ Periksa apakah stopkontak terhubung ke sakelar lampu yang mematikan daya saat Anda mematikan lampu.
 - ◆ Pindahkan pengisi daya dan baterai ke lokasi dengan suhu udara sekitar antara 65°F - 75°F (18° - 24°C). Jika masalah pengisian daya masih berlanjut, bawa alat, baterai, dan pengisi daya ke pusat layanan Stanley lokal Anda .
- ◆ Baterai harus diisi ulang saat gagal menghasilkan daya yang cukup pada pekerjaan yang mudah dilakukan sebelumnya.
- ◆ JANGAN LANJUTKAN menggunakan dengan kondisi-kondisi berikut. Ikuti prosedur pengisian daya.
- ◆ Anda juga dapat mengisi daya baterai yang digunakan sebagian kapan pun Anda mau dengan tanpa efek samping pada baterai.

Memasang dan Melepaskan Baterai dari alat

Peringatan! Pastikan tombol pengunci diaktifkan untuk mencegah aktuasi sakelar sebelum melepas atau memasang baterai.

Untuk memasang baterai

- ◆ Masukkan baterai dengan kuat ke dalam senter sampai terdengar bunyi klik seperti ditunjukkan pada gambar B1. Pastikan baterai benar-benar terpasang dan terkunci ke posisi.

Untuk melepas baterai

- ◆ Tekan tombol pelepas baterai (7) seperti yang ditunjukkan pada gambar B2 dan tarik baterai dari alat.

Sakelar pemacu & tombol maju/mundur - gambar C

- ◆ Bor dinyalakan dan dimatikan dengan cara menarik dan melepaskan sakelar pemacu (1) ditunjukkan pada gambar C. Makin dalam pemacu ditekan, makin cepat kecepatan bormya.
- ◆ Tombol kontrol yang maju/mundur (2) menentukan arah putaran dari alat dan juga berfungsi sebagai tombol kunci off.
- ◆ Untuk memilih arah putaran ke depan, lepaskan pemacu sakelar dan tekan tombol kontrol maju/mundur di bagian kanan alat.
- ◆ Untuk memilih arah putaran yang sebaliknya, tekan tombol kontrol di bagian kiri alat.
- ◆ Tombol kontrol yang berposisi di tengah mengunci alat dalam posisi off. Saat mengubah posisi tombol kendali, pastikan bahwa pemacu sudah dilepaskan.

PENGUNAAN

Menyesuaikan kontrol torsi - gambar D

Alat ini dipasang dengan cincin pengatur torsi (3) untuk memilih mode pengoperasian dan menyetel torsi untuk mengencangkan obeng. Sekrup besar dan material benda keras membutuhkan penyetelan torsi yang lebih tinggi dibandingkan sekrup kecil dan material benda lunak.

- ◆ Untuk menggeber kayu, logam, dan plastik, setel cincin ke simbol posisi pengeboran.
- ◆ Untuk mengobeng, setel cincin ke setelan yang diinginkan. Jika Anda belum mengetahui setelan yang tepat, ikuti langkah-langkah berikut:
 - ◆ Setel cincin ke setelan torsi terendah.
 - ◆ Kencangkan sekrup pertama.
 - ◆ Jika kopling berputar ke satu arah saja sebelum hasil yang diinginkan tercapai, tingkatkan penyetelan cincin dan teruskan mengencangkan sekrup.
 - ◆ Ulangi sampai Anda mendapat setelan yang tepat.
 - ◆ Gunakan setelan ini pada sekrup yang tersisa.

Sakelar rentang ganda - gambar E

Dengan fitur rentang ganda dari bor, Anda dapat mengatur roda gigi untuk fleksibilitas yang lebih besar.

- ◆ Untuk memilih kecepatan rendah, setelan torsi tinggi (posisi1), matikan alat dan biarkan berhenti. Geser tombol pengatur roda gigi (4) menjauh dari gagang gerak.
- ◆ Untuk memilih kecepatan tinggi, setelan torsi rendah (posisi 2), matikan alat dan biarkan berhenti. Geser tombol pengatur roda gigi kembali menuju ke gagang gerak.

Catatan: Jangan ubah roda gigi saat alat sedang berjalan. Jika Anda mengalami kesulitan mengubah roda gigi, pastikan bahwa tombol roda gigi rentang ganda sepenuhnya ditekan ke depan atau sepenuhnya ditekan ke belakang.

Gagang gerak tanpa tombol - gambar F

Peringatan! Pastikan bahwa baterai sudah dilepas untuk mencegah terjadinya aktuasi alat sebelum memasang atau melepas aksesoris.

Untuk memasukkan mata bor atau aksesoris lainnya:

- ◆ Pegang gagang gerak (5) erat-erat dan putar ke arah berlawanan jarum jam, seperti terlihat dari ujung gagang.
- ◆ Masukkan mata bor atau aksesoris lainnya sepenuhnya ke gagang gerak, lalu kencangkan dengan memutar gagang searah jarum jam sebagaimana dilihat dari ujung gagang gerak.

Peringatan! Jangan pernah mengencangkan atau mengendurkan mata bor (atau aksesoris apa pun) dengan cara memegang erat bagian depan gagang gerak dan menyalakan alat. Mengganti aksesoris dengan cara seperti ini dapat mengakibatkan kerusakan pada gagang gerak dan cedera diri.

Gerakan Palu

Bor SBH201 memiliki gerakan palu yang diaktifkan dengan cara memutar cincin ke simbol palu **T**.

Gunakan gerakan palu ketika mengebor batu.

Peringatan! Ketika cincin penyesuaian torsi berada di posisi bor atau bor palu, bor tidak akan mencengkam. Bor mungkin macet jika kelebihan beban yang menyebabkan lilitan yang mendadak.

Mengobeng

- ◆ Untuk menggerakkan pengencang, tombol maju/mundur harus didorong ke kiri.
- ◆ Gunakan pembalik (tombol yang didorong ke kanan) untuk melepaskan pengencang.

Catatan: Ketika mengubah dari posisi maju ke mundur, atau sebaliknya, selalu lepaskan sakelar pemicu terlebih dahulu.

Mengebor

- ◆ Gunakan mata bor yang tajam saja.
- ◆ Dukung dan amankan pekerjaan dengan tepat, seperti yang ditunjukkan pada Petunjuk Keamanan.
- ◆ Gunakan perlengkapan keamanan yang sesuai dan diperlukan, seperti yang diperintahkan dalam Petunjuk Keamanan.
- ◆ Amankan dan rawat area kerja, seperti yang diperintahkan dalam Petunjuk Keselamatan.
- ◆ Jalankan bor dengan sangat pelan, menggunakan tekanan yang ringan, sampai terbentuk lubang yang cukup untuk mencegah bor tergelincir keluar dari lubang tersebut.
- ◆ Selalu beri penekanan dalam garis lurus dengan mata bor. Gunakan cukup tekanan untuk menjaga agar mata bor tidak melenceng, namun jangan terlalu kuat sampai motor macet atau mata bor rusak.
- ◆ Pegang bor dengan erat menggunakan dua tangan, satu tangan pada pegangan dan satu tangan memegang bagian bawah sekitar area baterai atau pegangan tambahan, jika ada.

◆ JANGAN MENKLIK ON ATAU OFF PADA PEMICU BOR YANG SEDANG MACET UNTUK COBA MENJALANKANNYA. INI DAPAT MENYEBABKAN KERUSAKAN PADA BOR.

- ◆ Regangkan bor yang tersangkut pada terobosan dengan cara mengurangi tekanan dan mengebor pelan-pelan melalui posisi terakhir dari lubang.
- ◆ Tetap jalankan motor saat menarik mata bor keluar dari lubang yang dibor. Ini akan membantu mengurangi kemacetan.
- ◆ Pastikan sakelar menyalakan dan mematikan bor.

Mengebor kayu

Lubang di kayu dapat dibuat dengan mata bor ulir yang sama yang digunakan untuk logam atau dengan mata bor yang berujung lebar.

Mata bor ini harus tajam dan harus sering ditarik keluar saat pengeboran untuk membersihkan serpihan dari galur.

Mengebor logam

Gunakan pelumas pemotong saat mengebor logam. Kecuali untuk besi tuangan dan kuningan yang harus dibor kering. Pelumas pemotong yang bekerja paling baik adalah minyak pemotongan yang diberi belesang.

Mengebor dinding bata

Ganti bor ke 'Mode Palu'. Gunakan mata bor batu berujung karbida. Lihat bagian Pengeboran. Jaga gaya pada bor agar tidak terlalu kuat sehingga meretakkan bahan yang rapuh. Aliran debu yang lancar menunjukkan laju pengeboran yang tepat.

Lampu kerja LED

Ketika bor diaktifkan dengan menarik sakelar pemicu (1), lampu kerja LED terintegrasi (8) secara otomatis akan menerangi area kerja.

Catatan: Lampu kerja dirancang untuk menerangi permukaan benda yang sedang dikerjakan dan tidak ditujukan untuk penggunaan sebagai lampu sorot.

Penyimpanan ujung mata bor

Slot penyimpanan mata bor (9) dipasang pada dudukan alat.

Pemecahan masalah

Masalah	Kemungkinan penyebab	Penyelesaian yang mungkin
Unit tidak mau menyala.	Baterai tidak dipasang dengan benar. Baterai tidak diisi daya.	Periksa pemasangan baterai. Periksa persyaratan pengisian daya pada baterai
Unit segera dimatikan setelah baterai dimasukkan	Sakelar telah dibiarkan di posisi "nyala".	Sakelar harus be dipindahkan ke posisi "mati" untuk mencegah agar alat tidak langsung dimulai saat baterai dimasukkan.
Baterai tidak mau terisi daya.	Baterai tidak dimasukkan ke alat pengisi daya. Baterai tidak dicolokkan. Suhu udara sekitarnya terlalu panas atau terlalu dingin.	Masukkan baterai ke pengisi daya sampai LED menyala. Colokkan pengisi daya ke stopkontak yang berfungsi. Pindahkan alat pengisi daya dan baterai menuju udara terbuka pada suhu di atas 40 derajat F (45°C) atau di bawah 105 derajat F (+40,5°C)
Unit mati secara mendadak.	Baterai telah mencapai batas panas maksimal. Tidak bisa diisi daya. (Untuk memaksimalkan masa pakai baterai, baterai ini dirancang untuk mati secara tiba-tiba ketika dayanya habis	Biarkan baterai mendingin. Pasang alat pengisi daya dan biarkan daya terisi.

PEMELIHARAAN

Alat listrik Stanley telah dirancang untuk penggunaan jangka panjang dengan pemeliharaan minimal. Operasi yang terus memuaskan tergantung pada perawatan alat yang tepat dan pembersihan secara teratur.

Alat pengisi daya Anda tidak membutuhkan perawatan apa pun selain dari pembersihan secara teratur.

Peringatan! Sebelum melakukan perawatan apa pun pada alat, lepaskan dulu baterai dari alat. Lepas pengisi daya sebelum membersihkannya.

- ◆ Bersihkan celah ventilasi pada alat dan pengisi daya secara teratur dengan menggunakan sikat lembut atau lap kering.
- ◆ Bersihkan kerangka mesin secara teratur dengan menggunakan kain bersih yang lembut. Jangan gunakan bahan pembersih abrasif atau pembersih berbahan dasar larutan apa pun.
- ◆ Buka gagang secara berkala dan ketuk-ketuk untuk mengeluarkan debu dari bagian dalam alat.

Melindungi lingkungan



Pengumpulan terpisah. Produk dan baterai yang ditandai dengan simbol ini tidak boleh dibuang bersama dengan sampah rumah tangga biasa.

Produk dan baterai berisi bahan yang dapat digunakan kembali atau didaur ulang yang mengurangi permintaan kebutuhan bahan baku. Harap mendaur ulang produk listrik dan baterai sesuai dengan ketentuan setempat.



Pengumpulan produk dan kemasan bekas secara terpisah memungkinkan bahan untuk didaur ulang dan digunakan lagi. Pemakaian ulang bahan yang

didaur ulang membantu mencegah pencemaran lingkungan dan mengurangi permintaan bahan mentah.

Pemerintah daerah mungkin memerlukan pusat pembuangan limbah lokal atau kota atau pengecer produk baru untuk menyediakan layanan daur ulang produk elektronik kepada masyarakat.

Catatan

Kebijakan STANLEY adalah salah satu peningkatan yang berkelanjutan pada produk kami, dan karenanya, kami berhak mengubah spesifikasi produk tanpa pemberitahuan sebelumnya.

Perlengkapan dan aksesori standar mungkin akan berbeda di setiap negara.

Spesifikasi produk mungkin akan berbeda di setiap negara.

Pilihan produk lengkap mungkin tidak tersedia di semua negara. Hubungi dealer STANLEY setempat Anda untuk ketersediaan produk

DATA TEKNIS

SBH201		
Voltase	V_{DC}	18V
Kecepatan tanpa beban	Mnt^{-1}	0-430/0-1700
Torsi maksimum	Nm	55
Kapasitas gagang gerak	mm	13
Kapasitas bor maksimum		
Baja/kayu	mm	13/35
Berat	kg	1,5

Pengisi daya	SC201	SC202	
Voltase input	V_{AC}	230	230
Voltase output	V_{DC}	18	18
Bolak-Balik	mA	1000	2000
Kisaran waktu isi ulang daya	Mnt	80-240	40-120

Baterai		SCB20C	SCB20S	SCB20D STBL182	SCB20M STBL184
Voltase	V_{AC}	18	18	18	18
Kapasitas	Ah	1,3	1,5	2,0	4,0
Tipe		Li-Ion	Li-Ion	Li-Ion	Li-Ion

Tingkat tekanan suara menurut EN 60745:

Tekanan suara (L_{pA}) 93,5 dB(A), ketidakpastian (K) 3 dB(A)

Daya suara (L_{WA}) 104,5 dB(A), ketidakpastian (K) 3 dB(A)

Nilai total getaran (jumlah vektor triax) menurut EN 60745:

Mengebor besi ($a_{h,D}$) 1,4 m/s², ketidakpastian (K) 1,5 m/s²

Mengobeng tanpa dampak (a_h) 0,8 m/s², ketidakpastian (K) 1,5 m/s²

Dampak mengebor beton ($a_{h,ID}$) 11,3 m/s², ketidakpastian (K) 1,5 m/s²

วัตถุประสงค์ในการใช้งาน

ส่วนระบบจะกระแทก/ไขควงไฟฟ้าของ Stanley รุ่น SBH201 เครื่องนี้ออกแบบมาเพื่อการขึ้นสกรูและการเจาะไม้ โลหะ พลาสติก และปูนเนื้ออ่อน เครื่องมือนี้ มีวัตถุประสงค์เพื่อการใช้งานของผู้ใช้ระดับมืออาชีพ ส่วนตัว และผู้ใช้ทั่วไป

คำแนะนำด้านความปลอดภัย

คำเตือนเพื่อความปลอดภัยสำหรับเครื่องมือไฟฟ้าทั่วไป



คำเตือน! โปรดอ่านคำเตือนและคำแนะนำเพื่อความปลอดภัยทั้งหมด การไม่ปฏิบัติตามคำเตือนและคำแนะนำเหล่านี้ อาจทำให้ถูกไฟดูด เกิดเพลิงไหม้และ/หรือบาดเจ็บสาหัสได้

เก็บคำเตือนและคำแนะนำทั้งหมดไว้เพื่อการอ้างอิงในอนาคต คำว่า “เครื่องมือไฟฟ้า” ในคำเตือนทั้งหมดที่แสดงอยู่ด้านล่างนี้ หมายถึงเครื่องมือไฟฟ้า (แบบมีสาย) ที่ทำงานด้วยแหล่งจ่ายไฟหลัก หรือเครื่องมือไฟฟ้า (แบบไร้สาย) ที่ทำงานด้วยแบตเตอรี่

1. ความปลอดภัยในบริเวณที่ทำงาน

- ก) รักษาความสะอาดและจัดให้มีแสงสว่างเพียงพอในบริเวณที่ทำงาน บริเวณที่มีดหรือมีช่องว่างระยะกระาะอาจทำให้เกิดอุบัติเหตุได้
- ข) ห้ามใช้เครื่องมือไฟฟ้าในบริเวณที่อาจเกิดการระเบิด เช่น ในสถานที่ที่มีของเหลว แก๊ส หรือฝุ่นละอองที่มีคุณสมบัติไวไฟ เครื่องมือไฟฟ้าจะทำให้เกิดประกายไฟที่อาจทำให้เกิดละอองไฟหรือเปลวไฟขึ้นได้
- ค) ระวังไม่ให้เด็กเล็กและคนเดินผ่านไปมาเข้าใกล้ในขณะที่ใช้งานเครื่องมือไฟฟ้า สิ่งรบกวนอาจทำให้คุณเสียสมาธิได้

2. ความปลอดภัยทางไฟฟ้า

- ก) ปลั๊กไฟของเครื่องต้องเป็นชนิดเดียวกับเต้ารับ ห้ามตัดแปลงปลั๊กไม่ว่าด้วยวิธีใด ห้ามใช้ปลั๊กอะแดปเตอร์ใดๆ กับเครื่องมือไฟฟ้าที่ต่อสายดิน (ลงกราวด์) ปลั๊กที่ไม่มีกราดตัดแปลงและเต้ารับชนิดเดียวกันจะช่วยลดความเสี่ยงจากการถูกไฟฟ้าช็อต
- ข) หลีกเลี่ยงการสัมผัสพื้นผิวที่ต่อสายดินหรือลงกราวด์ เช่น ท่อ หม้อน้ำ เตาหุงต้ม และตู้เย็น มีความเสี่ยงเพิ่มขึ้นที่จะถูกไฟฟ้าช็อตหากร่างกายเป็นสื่อเชื่อมต่อดินหรือลงกราวด์
- ค) อย่านำเครื่องมือไฟฟ้าถูกฝนหรือเปียกน้ำ น้ำที่เข้าเครื่องมือไฟฟ้าจะเพิ่มความเสี่ยงในการเกิดไฟฟ้าช็อต
- ง) ห้ามใช้สายไฟผิดวัตถุประสงค์ ห้ามใช้สายไฟเพื่อการหิ้ว ดึง หรือถอดปลั๊กเครื่องมือไฟฟ้า เก็บสายไฟให้ห่างจากความร้อน น้ำมัน ของมีคม หรือ ชิ้นส่วนที่เคลื่อนที่ สายไฟที่ชำรุดหรือพันกันจะทำให้มีความเสี่ยงเพิ่มมากขึ้นที่จะถูกไฟฟ้าช็อตได้

- จ) เมื่อใช้เครื่องมือไฟฟ้านอกอาคาร ให้ใช้สายต่อพ่วงที่เหมาะสมสำหรับการใช้งานนอกอาคาร การใช้สายไฟที่เหมาะสมสำหรับการใช้งานนอกอาคารจะช่วยลดความเสี่ยงจากการเกิดไฟฟ้าช็อต
- ฉ) หากไม่สามารถหลีกเลี่ยงการใช้เครื่องมือไฟฟ้าในบริเวณที่ชื้นและได้ ให้ใช้อุปกรณ์ป้องกันไฟดูด (RCD) การใช้ RCD จะเป็นการลดความเสี่ยงจากการถูกไฟฟ้าช็อต

3. ความปลอดภัยส่วนบุคคล

- ก) ตื่นตัวและมีสมาธิกับสิ่งที่คุณกำลังทำ รวมทั้งใช้สามัญสำนึกในขณะที่กำลังใช้งานเครื่องมือไฟฟ้า ห้ามใช้เครื่องมือไฟฟ้าในขณะที่คุณกำลังเหนื่อยหรือกำลังอยู่ภายใต้ฤทธิ์ยา แอลกอฮอล์ หรือการรักษาดูแลยา การขาดความระมัดระวังในการใช้เครื่องมือไฟฟ้าแม้ชั่วขณะหนึ่งอาจทำให้บาดเจ็บสาหัสได้
- ข) ใช้อุปกรณ์คุ้มครองความปลอดภัยส่วนบุคคลสวมอุปกรณ์ป้องกันดวงตาเสมอ อุปกรณ์ป้องกัน เช่น หน้ากากกันฝุ่น รองเท้านิรภัยกันส้น หมวกนิรภัยหรืออุปกรณ์ป้องกันเสียงดังที่ใช้ในสภาวะที่เหมาะสมจะช่วยลดอาการบาดเจ็บทางร่างกาย
- ค) ป้องกันเครื่องเปิดทำงานโดยไม่ตั้งใจ สวิตช์ต้องอยู่ในตำแหน่งปิดก่อนที่จะเสียบปลั๊กของเครื่องเข้ากับแหล่งจ่ายไฟ และ/หรือแบตเตอรี่ หรือก่อนยกหรือหิ้วเครื่องมือ การยกเครื่องมือไฟฟ้าในขณะที่นิ้วอยู่ที่สวิตช์ หรือใช้เครื่องมือไฟฟ้าที่สวิตช์เปิดอยู่ อาจทำให้เกิดอุบัติเหตุได้
- ง) ถอดกุญแจปรับตั้งหรือประแจออกก่อนเปิดสวิตช์เครื่องมือไฟฟ้า ประแจหรือกุญแจที่เสียบค้างอยู่ในชิ้นส่วนที่หมุนไต่ของเครื่องมือไฟฟ้าอาจทำให้เกิดการบาดเจ็บได้
- จ) ห้ามยื่นแขนขาขณะที่ใช้เครื่อง ต้องยืนอย่างมั่นคงและสมดุลเสมอ เพื่อช่วยในการควบคุมเครื่องมือไฟฟ้าได้ดียิ่งขึ้นในสถานการณ์ที่ไม่คาดคิด
- ฉ) แต่งกายให้เหมาะสม ห้ามสวมเสื้อผ่าหลวมหรือใส่เครื่องประดับ รวบผม เลือ่ผ้า และถุงมือให้ห่างจากชิ้นส่วนที่กำลังหมุน เลือ่ผ้าที่หลวมหรือยาว รุ่มร่าม เครื่องประดับ หรือผมที่ยาวอาจเข้าไปพันกับชิ้นส่วนที่กำลังหมุน
- ช) หากมีอุปกรณ์สำหรับดูดและเก็บฝุ่น ต้องตรวจสอบให้แน่ใจว่าได้เชื่อมต่อและใช้งานอุปกรณ์นั้นอย่างเหมาะสม การใช้อุปกรณ์เก็บฝุ่นจะช่วยลดอันตรายที่เกี่ยวข้องกับฝุ่นได้

4. การใช้และการดูแลรักษาเครื่องมือไฟฟ้า

- ก) ห้ามฝืนใช้เครื่องมือไฟฟ้า เลือกใช้เครื่องมือไฟฟ้าให้ตรงกับลักษณะการใช้งานของคุณ เครื่องมือไฟฟ้าที่ถูกดัดแปลงทำงานได้ดีกว่าและปลอดภัยกว่า เมื่อใช้งานตามพิกัดที่เครื่องมือได้รับการออกแบบมา

- ข) ห้ามใช้เครื่องมือไฟฟ้าถ้าสวิทช์เปิดปิดเครื่องไม่ทำงาน เครื่องมือไฟฟ้าที่ไม่สามารถควบคุมผ่านสวิทช์ได้ ถือว่ามีอันตรายและต้องส่งซ่อม
- ค) ถอดปลั๊กของเครื่องมือไฟฟ้าออกจากรูปลั๊กไฟ และ/หรือชุดแบตเตอรี่ก่อนทำการปรับแต่ง เปลี่ยนอุปกรณ์เสริม หรือจัดเก็บเครื่องมือไฟฟ้า มาตรการเพื่อความปลอดภัยเชิงการป้องกันนี้จะช่วยลดความเสี่ยงในการปล่อยเปิดเครื่องให้ทำงานโดยไม่ได้ตั้งใจ
- ง) เก็บเครื่องมือไฟฟ้าที่ไม่ได้ใช้งานไว้ในหิ้งมือเด็ก และไมอนุญาตให้บุคคลที่ไม่คุ้นเคยกับเครื่องมือไฟฟ้าหรือข้อปฏิบัติเหล่านี้เป็นผู้ใช้เครื่องมือไฟฟ้า เครื่องมือไฟฟ้าจะเป็นอันตรายหากอยู่ในมือผู้ใช้ที่ไม่มีความชำนาญ
- จ) บำรุงรักษาเครื่องมือไฟฟ้า ตรวจสอบว่าชิ้นส่วนที่เคลื่อนที่ได้มีการวางไม่ตรงแนวหรือติดขัดหรือไม่ มีชิ้นส่วนที่แตกหัก และสภาพอื่นใดที่อาจส่งผลกระทบต่อการทำงานของเครื่องมือไฟฟ้าหรือไม่ หากชำรุดเสียหาย ให้นำเครื่องมือไปส่งซ่อมก่อนนำมาใช้ อุบัติเหตุจำนวนมากเกิดจากการดูแลรักษาเครื่องมือไฟฟ้าไม่ดีพอ
- ฉ) เครื่องมือตัดตัดคมและสะอาดอยู่เสมอ เครื่องมือตัดที่ได้รับการดูแลรักษาอย่างถูกต้อง และมีขอบตัดคม จะมีปัญหาติดขัดน้อย และควบคุมได้ง่ายกว่า
- ช) ใช้เครื่องมือไฟฟ้า อุปกรณ์เสริม และชุดอุปกรณ์ต่างๆ ให้สอดคล้องกับข้อปฏิบัติเหล่านี้ โดยพิจารณาถึงสภาพการทำงานและงานที่ทำเป็นสำคัญ การใช้เครื่องมือไฟฟ้าทำงานอื่นนอกเหนือจากที่กำหนดไว้อาจทำให้เกิดอันตรายได้

5. การใช้และการดูแลรักษาแบตเตอรี่

- ก) ชาร์จแบตเตอรี่ด้วยเครื่องชาร์จที่ผู้ผลิตแนะนำเท่านั้น เครื่องชาร์จที่เหมาะสมกับแบตเตอรี่แบบหนึ่ง อาจทำให้เกิดไฟไหม้ได้ถ้านำมาใช้กับแบตเตอรี่อีกแบบหนึ่ง
- ข) ใช้เครื่องมือไฟฟ้าเฉพาะกับก้อนแบตเตอรี่ที่ออกแบบมาเป็นพิเศษเท่านั้น การใช้แบตเตอรี่แบบอื่นอาจทำให้เกิดการบาดเจ็บหรือเกิดไฟไหม้ได้
- ค) เมื่อไม่ได้ใช้ก้อนแบตเตอรี่ ให้เก็บออกห่างจากรัดถูกอื่น ๆ ที่เป็นโลหะ เช่น คลิปหนีบกระดาษ เหรียญ กุญแจ เข็ม สกรูหรือวัตถุขนาดเล็กอื่นๆ ที่ทำจากโลหะที่อาจทำให้เกิดการเชื่อมต่อจากขั้วหนึ่งไปอีกขั้วหนึ่ง การลัดวงจรบริเวณขั้วแบตเตอรี่อาจทำให้เกิดรอยไหม้หรือไฟไหม้ได้
- ง) เมื่ออยู่ภายใต้สภาวะที่ไม่เหมาะสมอาจมีของเหลวไหลออกมาจากแบตเตอรี่ ให้หลีกเลี่ยงการสัมผัสกับของเหลวนี้ หากไปสัมผัสโดยไม่ตั้งใจ ให้ล้างด้วยน้ำปริมาณมาก หากของเหลวกระเด็นเข้าตา ควรรีบไปพบแพทย์ ของเหลวที่ออกมาจากแบตเตอรี่อาจทำให้เกิดอาการระคายเคืองหรือรอยไหม้ได้

6. การบริการ

- ก) ให้ช่างซ่อมที่มีความเชี่ยวชาญเป็นผู้ซ่อมเครื่องมือ และใช้อะไหล่แท้เท่านั้น ซึ่งจะช่วยให้มั่นใจได้ว่าเครื่องมือไฟฟ้ายังมีความปลอดภัยอยู่

คำเตือนเพื่อความปลอดภัยเพิ่มเติมสำหรับการใช้เครื่องมือไฟฟ้า



คำเตือน! คำเตือนด้านความปลอดภัยเพิ่มเติมสำหรับสว่าน/ไขควงไฟฟ้า

- ♦ สวมใส่อุปกรณ์ป้องกันเสียงดังเมื่อทำงานเจาะ กระแทก การเผชิญกับเสียงดังมากๆ อาจทำให้สูญเสียความสามารถในการได้ยิน
- ♦ ใช้มือจับเสริมที่นำมาพร้อมๆกับเครื่อง การสูญเสียการควบคุมเครื่องอาจทำให้ได้รับบาดเจ็บได้
- ♦ จับเครื่องมือไฟฟ้าตรงพื้นผิวส่วนที่ใช้จับซึ่งมีฉนวนป้องกันเท่านั้น เมื่อต้องใช้งานเครื่องในบริเวณที่อุปกรณ์เสริมสำหรับการตัดอาจสัมผัสถูกสายไฟที่ซ่อนอยู่ใต้ อุปกรณ์เสริมสำหรับงานตัดที่สัมผัสถูกสายไฟ "ที่มีไฟฟ้า" อาจทำให้ส่วนที่เป็นโลหะของเครื่องที่ถูกสัมผัส "มีไฟฟ้า" และทำให้ผู้ใช้เครื่องถูกไฟฟ้าช็อตได้
- ♦ จับเครื่องมือไฟฟ้าที่พื้นผิวส่วนที่ใช้จับซึ่งมีฉนวนป้องกันเท่านั้น เมื่อใช้งานเครื่องกับงานที่ตัวยึดอาจสัมผัสกับสายไฟที่ซ่อนอยู่ ตัวยึดที่สัมผัสกับสายไฟ "ที่มีไฟฟ้า" อาจทำให้ส่วนที่เป็นโลหะของเครื่องที่ถูกสัมผัส "มีไฟฟ้า" และทำให้ผู้ใช้เครื่องถูกไฟฟ้าช็อตได้
- ♦ ใช้ตัวจับชิ้นงานหรือวิธีอื่นๆ ที่ปลอดภัยเพื่อยึดและหนุนชิ้นงานบนแท่นที่มั่นคง การใช้มือจับหรือให้ชิ้นงานพิงกับลำตัวจะไม่มั่นคงและอาจทำให้สูญเสียการควบคุมได้
- ♦ ก่อนเจาะผนัง พื้น หรือเพดาน ให้ตรวจสอบตำแหน่งสายไฟและท่อน้ำ
- ♦ หลีกเลี่ยงการสัมผัสปลายดอกสว่านหลังจากเพิ่งเจาะเสร็จ เนื่องจากดอกสว่านอาจจะมีความร้อนหลงเหลืออยู่
- ♦ วัตถุประสงค์ในการใช้งานได้อธิบายไว้ในคู่มือแนะนำการใช้งานฉบับนี้ การใช้งานอุปกรณ์เสริมหรืออุปกรณ์ต่อพ่วง หรือการใช้งานอื่นใดกับเครื่องมือนี้ นอกเหนือจากที่ได้แนะนำไว้ในคู่มือการใช้งานนี้ อาจทำให้ส่งผลกระทบต่อการทำงานของ และ/หรือความเสียหายต่อทรัพย์สินได้

ความปลอดภัยของบุคคลอื่น

- ♦ เครื่องมือนี้ไม่ได้มีไว้เพื่อการใช้งานโดยบุคคล (ซึ่งรวมถึงผู้เยาว์) ที่มีความบกพร่องทางร่างกาย ทางอารมณ์ หรือทางจิตประสาท หรือขาดประสบการณ์และความรู้ เว้นเสียแต่จะได้รับการควบคุมดูแลหรือคำแนะนำการใช้เครื่องมือโดยผู้รับผิดชอบต่อความปลอดภัยของบุคคลเหล่านั้น
- ♦ เด็กควรได้รับการควบคุมดูแลเพื่อไม่ให้เข้าถึงจะไม่เล่นเครื่องมือ

ความเสี่ยงอื่นๆ ที่ยังมีอยู่

ความเสี่ยงอื่นๆ ที่ไม่ได้ระบุในคำเตือนเพื่อความปลอดภัยนี้ อาจเกิดขึ้นได้เมื่อใช้เครื่องมือ ความเสี่ยงเหล่านี้อาจเกิดขึ้นจากการใช้อย่างไม่ถูกต้อง การใช้งานเป็นเวลานาน เป็นต้น

แม้ว่าจะปฏิบัติตามข้อกำหนดด้านความปลอดภัยที่เกี่ยวข้อง และใช้อุปกรณ์เสริม แต่ความเสี่ยงอื่นๆ ที่ยังมีอยู่บางอย่างก็ไม่สามารถหลีกเลี่ยงได้ ความเสี่ยงเหล่านี้ได้แก่:

- ◆ การบาดเจ็บที่เกิดจากการสัมผัสชิ้นส่วนที่หมุน/เคลื่อนที่
- ◆ การบาดเจ็บที่เกิดขึ้นขณะเปลี่ยนชิ้นส่วน ใบมีด หรืออุปกรณ์เสริม
- ◆ การบาดเจ็บที่เกิดจากการใช้เครื่องมือเป็นเวลานาน เมื่อใช้เครื่องมือเป็นเวลานาน ต้องแน่ใจว่าคุณได้หยุดพักเป็นระยะ
- ◆ ความบกพร่องในการได้ยินเสียง
- ◆ อันตรายต่อสุขภาพที่เกิดจากการสูดดมฝุ่นจากการใช้เครื่องมือ (ตัวอย่างเช่น การทำงานกับไม้ โดยเฉพาไม้ไผ่ ไม้บีช และไม้ MDF)

การสันสเทือน

ค่าการปล่อยแรงสั่นสะเทือนที่ระบุไว้ในข้อมูลทางเทคนิคและค่าประกาศเรื่องความสอดคล้องกันได้รับการตรวจวัดตามวิธีการทดสอบมาตรฐานที่ให้ไว้ตาม EN 60745 ทั้งนี้อาจนำมาใช้เพื่อเปรียบเทียบเครื่องมือชนิดหนึ่งกับเครื่องมืออีกชนิดหนึ่งได้ ค่าการปล่อยแรงสั่นสะเทือนที่ระบุไว้ อาจนำมาใช้สำหรับการประเมินผลเบื้องต้นของการสันสเทือนก็ได้

คำเตือน! ค่าการปล่อยแรงสั่นสะเทือนในระหว่างการใช้งานจริงของเครื่องมือไฟฟ้าอาจแตกต่างจากค่าที่ระบุไว้ โดยขึ้นอยู่กับวิธีการใช้เครื่องมือ ระดับการสันสเทือนอาจเพิ่มขึ้นสูงกว่าระดับที่ระบุไว้

เมื่อจะประเมินการสันสเทือนที่ได้รับเพื่อกำหนดมาตรการเพื่อความปลอดภัยตามที่ 2002/44/EC กำหนดไว้ เพื่อป้องกันบุคลากรที่ใช้เครื่องมือไฟฟ้าเป็นประจำในการทำงาน การประเมินการสันสเทือนที่ได้รับควรพิจารณาสถานะที่เป็นจริงของการทำงานและวิธีการใช้งาน เครื่องมือดังกล่าว รวมทั้งพิจารณาถึงส่วนต่างๆ ทั้งหมดของรอบการทำงาน เช่น จำนวนครั้งที่ปิดสวิตช์เครื่องมือ และขณะปล่อยให้เครื่องมือทำงานแต่ไม่ได้ใช้งานใดๆ นอกเหนือจากช่วงเวลาการกระตุ้นการทำงาน

ป้ายบนเครื่องมือ

สัญลักษณ์ต่อไปนี้จะปรากฏบนเครื่องมือพร้อมทั้งรหัสวันที่:



คำเตือน! เพื่อลดความเสี่ยงต่อการบาดเจ็บ ผู้ใช้ต้องอ่านคู่มือการใช้งานเล่มนี้



สวมใส่อุปกรณ์ป้องกันเสียงดังเมื่อใช้ส่วนเจาะกระแทก การเผชิญกับเสียงดังมากๆ อาจทำให้สูญเสียความสามารถในการได้ยิน

คำแนะนำเพื่อความปลอดภัยเพิ่มเติมสำหรับแบตเตอรี่และเครื่องชาร์จ (ไม่ได้ให้มาพร้อมกับอุปกรณ์)

แบตเตอรี่

- ◆ ห้ามพยายามแกะตัวแบตเตอรี่ในทุกกรณี
- ◆ อย่าให้แบตเตอรี่สัมผัสน้ำ
- ◆ ห้ามเก็บแบตเตอรี่ในสถานที่อุณหภูมิอาจสูงเกิน 40°C
- ◆ ชาร์จแบตเตอรี่ที่อุณหภูมิห้องระหว่าง 10°C ถึง 40°C เท่านั้น
- ◆ ชาร์จแบตเตอรี่ด้วยเครื่องชาร์จที่ให้มาพร้อมอุปกรณ์เท่านั้น
- ◆ เมื่อจะทิ้งแบตเตอรี่ ให้ทำตามคำแนะนำในส่วน "การปกป้องสิ่งแวดล้อม"



อย่าพยายามชาร์จแบตเตอรี่ที่ชำรุดเสียหาย

เครื่องชาร์จ

- ◆ ใช้เครื่องชาร์จ Stanley เพื่อชาร์จแบตเตอรี่ภายในอุปกรณ์ที่ให้มาพร้อมกันเท่านั้น การชาร์จแบตเตอรี่ชนิดอื่นๆ อาจทำให้แบตเตอรี่ระเบิดและเกิดการบาดเจ็บและความเสียหายได้
- ◆ ห้ามชาร์จแบตเตอรี่ชนิดชาร์จซ้ำไม่ได้
- ◆ เปลี่ยนสายไฟที่ชำรุดทันที
- ◆ อย่าให้เครื่องชาร์จสัมผัสน้ำ
- ◆ ห้ามแกะเปิดเครื่องชาร์จ
- ◆ ห้ามใช้สิ่งใดแทนเข้าไปในตัวเครื่องชาร์จ



เครื่องชาร์จนี้มีวัตถุประสงค์เพื่อการใช้งานในร่มเท่านั้น



โปรดอ่านคู่มือการใช้งานก่อนใช้เครื่อง

ความปลอดภัยทางไฟฟ้า



เครื่องมือนี้มีฉนวนสองชั้น ดังนั้นจึงไม่จำเป็นต้องต่อสายดิน ต้องตรวจสอบกำลังไฟเพื่อให้ตรงกับแรงดันไฟฟ้าบนแผ่นแสดงที่ติดตั้งเสมอ ห้ามเปลี่ยนสายปลั๊กไฟของเครื่องชาร์จเป็นสายปลั๊กไฟธรรมดาโดยเด็ดขาด

- ◆ ถ้าสายไฟของตัวเครื่องชำรุดเสียหาย ต้องเปลี่ยนโดยผู้ผลิตหรือศูนย์บริการของ Stanley ที่ได้รับอนุญาต เพื่อหลีกเลี่ยงอันตรายที่อาจเกิดขึ้นได้

ส่วนประกอบสำคัญ

เครื่องมือนี้มีส่วนประกอบบางอย่างหรือทั้งหมดต่อไปนี้

1. สวิตช์
2. ปุ่มเดินหน้า/ถอยหลัง
3. ปลอกปรับแรงบิด
4. ตัวเลือกเกียร์สองจังหวะ
5. ตัวจับดอกสว่านแบบไม่ใช้จำปา

6. แบตเตอรี่
7. ปุ่มปลดล็อคแบตเตอรี่
8. ไฟ LED สองงาน
9. ปลอกยึดปลายดอกสว่าน

การใช้งาน

คำเตือน! ปลดล็อคให้เครื่องมือทำงานตามความเร็วของเครื่อง

ห้ามใช้งานเกินโหลดที่เหมาะสม

การชาร์จแบตเตอรี่

แบตเตอรี่ต้องการการชาร์จไฟก่อนการใช้งานครั้งแรก และทุกครั้งเมื่อแบตเตอรี่ไม่สามารถจ่ายพลังงานได้เพียงพอสำหรับงานที่เคยทำได้โดยง่าย แบตเตอรี่อาจอุ่นขึ้นระหว่างการชาร์จ ซึ่งถือเป็นเรื่องปกติและไม่ใช่ตัวบ่งชี้อาการผิดปกติ

คำเตือน! ห้ามชาร์จแบตเตอรี่ในอุณหภูมิห้องที่ต่ำกว่า 10°C หรือสูงกว่า 40°C อุณหภูมิการชาร์จที่แนะนำ: ประมาณ 24°C

หมายเหตุ: เครื่องชาร์จจะไม่ชาร์จแบตเตอรี่หากอุณหภูมิของแบตเตอรี่ต่ำกว่าประมาณ 10°C หรือสูงกว่า 40°C ให้ทิ้งแบตเตอรี่ไว้ในเครื่องชาร์จ แล้วเครื่องชาร์จจะเริ่มชาร์จไฟเองโดยอัตโนมัติเมื่ออุณหภูมิของแบตเตอรี่อุ่นขึ้นหรือเย็นลง

- ◆ เสียบปลั๊กเครื่องชาร์จเข้ากับเต้ารับที่เหมาะสมก่อนใส่ก่อนแบตเตอรี่ลงไป
- ◆ ใส่ก่อนแบตเตอรี่ลงในเครื่องชาร์จ



ไฟ LED สีเขียวจะกะพริบเพื่อบอกว่ากำลังชาร์จแบตเตอรี่อยู่



เมื่อไฟ LED สีเขียวติดสว่างอย่างต่อเนื่องแสดงว่าการชาร์จเสร็จเรียบร้อยแล้ว แบตเตอรี่จะได้รับการประจุไฟจนเต็ม และสามารถนำไปใช้ได้เลย หรืออาจปล่อยให้แบตเตอรีอยู่ในเครื่องชาร์จก็ได้

คำเตือน! ชาร์จแบตเตอรี่ที่ไม่ได้ประจุทันทีหลังจากใช้งาน มิฉะนั้นอายุของแบตเตอรี่อาจลดลงอย่างมาก

การวินิจฉัยเครื่องชาร์จ

เครื่องชาร์จนี้ได้รับการออกแบบให้ตรวจพบปัญหาที่อาจเกิดขึ้นกับแบตเตอรี่หรือแหล่งจ่ายไฟ โดยไฟ LED หนึ่งดวงจะกะพริบในรูปแบบต่างๆ เพื่อแสดงถึงปัญหา

แบตเตอรี่เสื่อมสภาพ



เครื่องชาร์จสามารถตรวจพบแบตเตอรี่ที่มีกำลังไฟอ่อนหรือขาดเสียหาย ไฟ LED สีแดงจะกะพริบในรูปแบบตามที่ปรากฏบนป้าย ถ้าคุณเห็นรูปแบบการกะพริบแบตเตอรี่เสื่อมสภาพ ห้ามชาร์จ

แบตเตอรี่ดังกล่าวต่อไป ให้นำกลับไปยังศูนย์บริการหรือสถานที่เก็บรวบรวมเพื่อการรีไซเคิล

หน่วงเวลาเนื่องจากแบตเตอรี่ร้อน/เย็น



เมื่อเครื่องชาร์จพบว่าแบตเตอรี่มีอุณหภูมิร้อนหรือเย็นจนเกินไป เครื่องชาร์จจะเริ่มการหน่วงเวลาเนื่องจากแบตเตอรี่ร้อน/เย็นโดยอัตโนมัติ ซึ่งคือการหน่วงการชาร์จไฟจนกว่าก่อนแบตเตอรี่จะอยู่ในสภาพปกติ หลังจากนั้น เครื่องชาร์จจึงจะสลับมาเป็นโหมดชาร์จไฟ คุณสมบัตินี้จะช่วยให้แน่ใจว่าแบตเตอรี่จะมีอายุการใช้งานยาวนานมากที่สุด ไฟ LED สีแดงจะกะพริบเป็นรูปแบบตามที่ปรากฏบนป้าย เมื่อมีการหน่วงเวลาเนื่องจากแบตเตอรี่ร้อน/เย็น

สายไฟมีปัญหา



เมื่อใช้เครื่องชาร์จกับแหล่งจ่ายไฟแบบพกพา เช่น เครื่องกำเนิดไฟฟ้าหรือแหล่งจ่ายไฟที่แปลงไฟฟ้ากระแสตรง (DC) เป็นไฟฟ้ากระแสสลับ (AC) เครื่องชาร์จอาจหยุดการชาร์จชั่วคราว ไฟ LED จะกะพริบเป็นรูปแบบตามที่ปรากฏบนป้าย ซึ่งหมายถึงถึงแหล่งจ่ายไฟอยู่นอกเหนือข้อจำกัด

การทิ้งแบตเตอรี่ไว้ในเครื่องชาร์จ

การต่อเครื่องชาร์จกับแบตเตอรี่ไม่สามารถปล่อยให้เชื่อมต่อได้ไม่จำกัดเวลาโดยที่ไฟ LED ติดสว่าง เครื่องชาร์จจะรักษาแบตเตอรี่และชาร์จไฟไว้ให้เต็มอยู่เสมอ

หมายเหตุสำคัญสำหรับการชาร์จ

- ◆ การชาร์จไฟชุดแบตเตอรี่ที่อุณหภูมิระหว่าง 65°F ถึง 75°F (18° – 24°C) จะช่วยให้อายุการใช้งานยาวนานที่สุดและสมรรถนะดีที่สุด อย่าชาร์จแบตเตอรี่ที่อุณหภูมิต่ำกว่า +40°F (+4.5°C) หรือสูงกว่า +105°F (+40.5°C) ข้อจำกัดนี้สำคัญมาก และจะช่วยให้ป้องกันไม่ใหชุดแบตเตอรี่เกิดความเสียหายร้ายแรง
- ◆ เครื่องชาร์จและแบตเตอรี่อาจแตะแล้วรู้สึกอุ่นๆ ขณะกำลังชาร์จ ซึ่งถือเป็นสภาพซึ่งถือเป็นสภาพปกติและไม่ได้แสดงว่าเครื่องเกิดปัญหาแต่อย่างใด วิธีที่จะช่วยระบายความร้อนให้แบตเตอรี่หลังจากใช้งานคือ พยายามอย่าวางเครื่องชาร์จหรือแบตเตอรี่ไว้ในสภาพแวดล้อมที่มีอุณหภูมิอุ่น เช่น ในบริเวณที่คลุมด้วยโหละ หรือส่วนท้ายที่ไม่ได้หุ้มฉนวน
- ◆ หากแบตเตอรี่ไม่ชาร์จไฟตามปกติ:
 - ◆ ตรวจสอบกระแสไฟฟ้าที่เต้ารับด้วยการนำโคมไฟหรือเครื่องใช้ไฟฟ้าอื่นฯ มาเสียบดู
 - ◆ ตรวจสอบดูว่าเต้ารับที่เชื่อมต่อกับสวิตช์ไฟตัดไฟ

เมื่อคุณปิดไฟหรือไม่

- ◆ ย้ายเครื่องชาร์จและแบตเตอรี่ไปยังที่ซึ่งอุณหภูมิอากาศโดยรอบอยู่ที่ประมาณ 65°F - 75°F (18°-24°C) ถ้าปัญหาการชาร์จยังมีอยู่ให้นำเครื่องมือ แบตเตอรี่ และเครื่องชาร์จไปยังศูนย์บริการ Stanley ใกล้บ้าน
- ◆ ควรชาร์จไฟชุดแบตเตอรี่ซ้ำ เมื่อชุดแบตเตอรี่ไม่สามารถจ่ายพลังงานได้เพียงพอสำหรับงานที่เคยทำได้โดยง่าย
- ◆ อย่าใช้งานต่อไป ภายใต้สถานการณ์เหล่านี้ ทำตามขั้นตอนการชาร์จ
- ◆ คุณยังอาจชาร์จแบตเตอรี่ที่ใช้ไฟไปบางส่วนในเวลาใดก็ตามที่คุณต้องการโดยไม่มีผลเสียต่อแบตเตอรี่ได้อีกด้วย

การติดตั้งและการถอดแบตเตอรี่ออกจาก

เครื่องมือ

คำเตือน! ตรวจสอบให้แน่ใจว่าปุ่มล็อคทำงานอยู่เพื่อป้องกันการเปิดสวิตช์เครื่องมือก่อนการถอดหรือติดตั้งแบตเตอรี่

เมื่อต้องการใส่แบตเตอรี่

- ◆ ใส่ก่อนแบตเตอรี่ลงในเครื่องมือให้แน่นจนกระทั่งได้ยินเสียงคลิกตามที่แสดงในรูป B1 ตรวจสอบให้แน่ใจว่าใส่แบตเตอรี่เรียบร้อยแล้วและล็อคเข้าที่

เมื่อต้องการถอดแบตเตอรี่

- ◆ กดปุ่มปลดล็อคแบตเตอรี่ (7) ตามที่แสดงในรูป B2 และดึงแบตเตอรี่ออกจากเครื่องมือ

สวิตช์และปุ่มเดินหน้า/ถอยหลัง - รูป C

- ◆ เปิดและปิดใช้งานส่วนโดยการกดและปล่อย สวิตช์ (1) ตามที่แสดงในรูป C ยิ่งกดสวิตช์ให้ลึกเท่าใด ความเร็วในการทำงานของส่วนก็จะสูงขึ้นเท่านั้น
- ◆ ปุ่มควบคุมเดินหน้า/ถอยหลัง (2) จะควบคุม ทิศทางการหมุนของเครื่องมือ รวมทั้งทำหน้าที่เป็นปุ่มล็อคให้อยู่ในตำแหน่งปิดอีกด้วย
- ◆ หากต้องการเลือกทิศทางการหมุนไปด้านหน้า ให้ปล่อยสวิตช์ และกดปุ่มควบคุมเดินหน้า/ถอยหลังไปทางด้านขวาของเครื่องมือ
- ◆ หากต้องการเลือกการถอยหลัง ให้กดปุ่มควบคุมเดินหน้า/ถอยหลัง ไปทางด้านซ้ายของเครื่องมือ
- ◆ ตำแหน่งตรงกลางของปุ่มควบคุมจะใช้ล็อค เครื่องมือให้อยู่ในตำแหน่งปิดการทำงาน เมื่อจะเปลี่ยนตำแหน่งของปุ่มควบคุม ต้องแน่ใจว่าได้ปล่อยสวิตช์แล้ว

การใช้ใช้งาน

การปรับการควบคุมแรงบิด - รูป D

เครื่องมือนี้ปรับลอคปรับแรงบิด (3) สำหรับเลือกโหมดการทำงาน และกำหนดแรงบิดสำหรับการขันสกรู สกรูขนาดใหญ่อและวัสดุชิ้นงานที่มีเนื้อแข็งจะต้องใช้การตั้งค่าแรง

บิดสูงกว่าสกรูขนาดเล็กและวัสดุชิ้นงานที่มีเนื้ออ่อน

- ◆ สำหรับการเจาะไม้ เหล็ก และพลาสติก ให้ปรับปลอกไปที่สัญลักษณ์ของตำแหน่งการเจาะ
- ◆ สำหรับการขันสกรู ให้ปรับปลอกไปยังค่าที่ต้องการ หากคุณไม่ทราบการตั้งค่าที่เหมาะสม โปรดดำเนินการดังนี้
- ◆ ปรับปลอกไปที่ค่าแรงบิดต่ำสุด
- ◆ ขันสกรูตัวแรก
- ◆ หากคัสท์ทึบหมุนฟรีก่อนจะได้ผลลัพธ์ที่ต้องการ ให้เพิ่มแรงบิดแล้วขันสกรูต่อ
- ◆ ทำซ้ำจนกว่าจะได้การตั้งค่าที่คุณต้องการ
- ◆ จากนั้น ให้ใช้ค่านีกับสกรูที่เหลือ

ตัวเลือกเกียร์สองจังหวะ - รูป E

เกียร์สองจังหวะของส่วนนี้ช่วยให้คุณสามารถเปลี่ยนเกียร์เพื่อให้ใช้งานได้หลากหลายขึ้น

- ◆ หากต้องการความเร็วต่ำ ให้ตั้งค่าแรงบิดสูง (ตำแหน่งที่ 1) ปิดเครื่องมือและปล่อยให้เครื่องมือหยุดหมุนเอง เลื่อนปุ่มเปลี่ยนเกียร์ (4) ออกห่างตัวจับดอกสว่าน
- ◆ หากต้องการเลือกความเร็วสูง ให้ตั้งค่าแรงบิดต่ำ (ตำแหน่งที่ 2) ปิดเครื่องมือและปล่อยให้เครื่องมือหยุดหมุนเอง เลื่อนปุ่มเปลี่ยนเกียร์กลับไปทางตัวจับดอกสว่าน

หมายเหตุ: อย่าเปลี่ยนเกียร์ขณะที่เครื่องมือกำลังทำงาน ถ้าคุณมีปัญหาในการเปลี่ยนเกียร์ ตรวจสอบให้แน่ใจว่าปุ่มเปลี่ยนเกียร์อยู่ในตำแหน่งใดตำแหน่งหนึ่งระหว่างถูกดันไปข้างหน้าจนสุดหรือถูกดันถอยหลังจนสุด

ตัวจับดอกสว่างแบบไม่ใช้จำปา - รูป F

คำเตือน! ตรวจสอบให้แน่ใจว่าก่อนแบตเตอรี่ถูกถอดออกเพื่อป้องกันการเปิดสวิตช์เครื่องมือก่อนการติดตั้งหรือถอดอุปกรณ์เสริม

ถ้าต้องการใส่ดอกสว่านหรืออุปกรณ์เสริมอื่น:

- ◆ จับตัวจับดอกสว่าน (5) แล้วหมุนตัวจับดอกสว่านทวนเข็มนาฬิกา เมื่อมองจากด้านปลายของตัวจับดอกสว่าน
- ◆ ใส่ดอกสว่านหรืออุปกรณ์เสริมอื่นลงในตัวจับดอกสว่านจนสุด และขันให้แน่นด้วยการหมุนตัวจับดอกสว่างตามเข็มนาฬิกา เมื่อมองจากด้านปลายของตัวจับดอกสว่าน

คำเตือน! อย่าพยายามขันหรือคลายดอกสว่าน (หรืออุปกรณ์เสริมอื่นใด) ด้วยการจับยึดส่วนหน้าของตัวจับดอกสว่านแล้วเปิดสวิตช์เครื่องมือ การเปลี่ยนอุปกรณ์เสริมในลักษณะนี้อาจทำให้เกิดความเสียหายต่อตัวจับดอกสว่านและเกิดการบาดเจ็บได้

การเจาะกระแทก

ส่วน SBH201 มีโหมดเจาะกระแทกที่ทำงานโดยการหมุนปลอกไปที่สัญลักษณ์ค้อน

ใช้โหมดเจาะกระแทกเมื่อต้องการเจาะปูน

คำเตือน! เมื่อปลอกปรับแรงบิดอยู่ในตำแหน่งของใน

โหมตเจาะหรือเจาะกระแทก ส่วนจะไม่ใช้คัลล์ชด์ควมคุม ส่วนอาจหยุดกลางคันถ้าทำงานหนักเกินไปซึ่งจะทำให้เกิดการบิดทันที

การขันสกรู

- ◆ สำหรับการขันตัวยึดเข้า จะต้องผลึกปมเดินหน้า/ถอยหลังไปทางซ้าย
 - ◆ สำหรับการถอดตัวยึดออก ให้ผลึกปมไปทางขวา
- หมายเหตุ:** ขณะที่เปลี่ยนจากเดินหน้าเป็นถอยหลัง หรือกลับกัน ให้ปล่อยสวิตช์ปรับระดับความเร็วก่อนเสมอ

การเจาะ

- ◆ ใช้ดอกสว่านที่คมเท่านั้น
- ◆ หนุนและจับยึด ชิ้นงานให้เหมาะสมตามที่คำแนะนำด้านความปลอดภัยระบุไว้
- ◆ ใช้อุปกรณ์รักษาความปลอดภัยที่เหมาะสมตามที่คำแนะนำด้านความปลอดภัยระบุไว้
- ◆ บล็อกกันและรักษา สภาพพื้นที่ทำงานตามที่คำแนะนำด้านความปลอดภัยระบุไว้
- ◆ เดินเครื่องสว่านช้าๆ ใช้แรงกดเพียงเล็กน้อยจนกว่ารูที่เจาะเริ่มลึกพอที่ดอกสว่านจะไม่ลื่นหลุดออกมา
- ◆ ออกแรงกดให้เป็นแนวเดียวกันกับดอกสว่าน ใช้แรงกดพอสมควร เพื่อให้ดอกสว่านเจาะเข้าไปอย่างต่อเนื่อง แต่ไม่มากเกินไปจนทำให้มอเตอร์หยุดค้างหรือดอกสว่านเบี้ยว
- ◆ ถือสว่านให้มันด้วยสองมือ โดยมีมือหนึ่งอยู่ที่ด้ามจับ อีกมือจับอยู่ที่ปุ่มบริเวณแบตเตอรี่หรือที่มือจับเสริมถ้ามี
- ◆ ห้ามเปิด และปิดสวิตช์ปรับระดับความเร็ว เพื่อเปิดเครื่องขณะที่เครื่องยังค้างอยู่ เพราะอาจทำให้สว่านชำรุดเสียหายได้
- ◆ ลดการค้ำระหว่างการเจาะโดยลดแรงกด และค่อยๆ เจาะให้ทะลุผ่านช่วงสุดท้ายของรู
- ◆ ให้มอเตอร์ยังหมุนไว้ระหว่งการถอนดอกสว่านออกจากรูที่เจาะ วิธีนี้จะช่วยลดปัญหาดอกสว่านติดได้
- ◆ ตรวจสอบให้แน่ใจว่าสวิตช์สามารถเปิดและปิดสว่านได้

การเจาะไม้

การเจาะรูในงานไม้สามารถใช้ดอกสว่านแบบเกลียวเช่นเดียวกับที่ใช้กับงานโลหะหรือด้วยดอกสว่านใบพาย ดอกสว่านเหล่านี้จะต้องคม และจะต้องดึงออกบ่อยๆ ขณะที่เจาะเพื่อเอาเศษไม้ออกจากร่อง

การเจาะโลหะ

ใช้สารหล่อลื่นสำหรับงานตัดขณะเจาะโลหะ ยกเว้นเหล็กหล่อและทองเหลืองที่ควรเจาะขณะแห้ง สารหล่อลื่นที่ใช้ งานได้ดีที่สุดคือน้ำมันตัดที่ผสมสารซัลเฟอร์

การเจาะปูน

เปลี่ยนสว่านเป็น 'โหมตการเจาะกระแทก' ใช้ดอกสว่านเจาะปูนหัวคาร์ไบด์ โปรดดูในส่วนการเจาะ รักษาแรงกดของสว่านแต่ไม่มากเกินไปจนทำให้วัสดุแตกหัก ฝุ่นที่ออกมาอย่างต่อเนื่องบ่งบอกถึงอัตราการเจาะที่เหมาะสม

ไฟ LED ส่องงาน

เมื่อส่วนทำงานโดยการกดสวิตช์ (1) ไฟ LED ส่องงาน (8) ที่มีอยู่จะส่องสว่างพื้นที่ทำงานโดยอัตโนมัติ

หมายเหตุ: ไฟส่องงานใช้สำหรับส่องบริเวณที่ทำงาน เบื้องหน้าเท่านั้น ไม่ใช่สำหรับใช้เป็นไฟฉาย

ที่เก็บปลายดอกสว่าน

ที่เก็บปลายดอกสว่าน (9) ติดตั้งอยู่บริเวณฐานของเครื่องมือ

การแก้ปัญหา

ปัญหา	สาเหตุที่เป็นไปได้	การแก้ไขที่เป็นไปได้
เครื่องไม่เริ่มทำงาน	ใส่แบตเตอรี่ไม่ถูกต้อง แบตเตอรี่ไม่ได้รับการชาร์จ	ตรวจดูการใส่แบตเตอรี่ ตรวจสอบข้อกำหนดการชาร์จแบตเตอรี่
เครื่องจะเริ่มใช้ได้ทันทีเมื่อใส่แบตเตอรี่	สวิตช์ถูกปรับไว้ที่ตำแหน่ง "เปิด"	ต้องเลือกสวิตช์มาที่ตำแหน่ง "ปิด" เพื่อป้องกันการปิดชิ้นงานทันทีเมื่อใส่แบตเตอรี่
แบตเตอรี่ไม่ชาร์จ	ไม่ได้ใส่แบตเตอรี่ในเครื่องชาร์จ เครื่องชาร์จไม่ได้เสียบไฟ	ใส่แบตเตอรี่ลงในเครื่องชาร์จจนกระทั่งไฟ LED ติดสว่าง
	อุณหภูมิโดยรอบสูงเกินไปหรือเย็นเกินไป	ย้ายแท่นชาร์จและชุดแบตเตอรี่ไปในบริเวณที่มีอุณหภูมิของอากาศโดยรอบสูงกว่า 40 องศา F (45°C) หรือต่ำกว่า 105 องศา F (+40.5°C)
เครื่องหยุดทำงานทันที	แบตเตอรี่มีอุณหภูมิสูงถึงขีดจำกัดอุณหภูมิสูงสุด ไม่มีไฟเหลืออยู่ (เพื่อให้อายุของแบตเตอรี่สูงสุด การออกแบบให้หยุดทำงานทันทีเมื่อไม่มีไฟเหลืออยู่)	ปล่อยให้แบตเตอรี่เย็นลง วางบนเครื่องชาร์จและปล่อยให้ชาร์จ

การบำรุงรักษา

เครื่องมือ Stanley ออกแบบมาเพื่อให้สามารถใช้งานได้อย่างยาวนานต่อเนื่องโดยมีการบำรุงรักษาขั้นน้อยที่สุด การทำงานที่สร้างความพึงพอใจอย่างต่อเนื่องจะขึ้นอยู่กับการดูแลรักษาที่เหมาะสมและการทำความสะอาดอย่างสม่ำเสมอ

เครื่องชาร์จไม่ต้องการการดูแลพิเศษอื่นนอกเหนือจากการทำความสะอาดเป็นประจำ

คำเตือน! ก่อนดำเนินการบำรุงรักษาเครื่องมือ ให้ถอดแบตเตอรี่ออกจากเครื่องมือก่อน ถอดปลั๊กแท่นชาร์จออกก่อนจะทำความสะอาด

- ◆ ทำความสะอาดของระบายอากาศในเครื่องมือและเครื่องชาร์จของคุณเป็นประจำโดยใช้แปรงขนอ่อนหรือผ้าแห้ง
- ◆ ทำความสะอาดมอเตอร์โดยใช้ผ้าชุบน้ำหมาดๆ ห้ามใช้น้ำยาทำความสะอาดที่มีฤทธิ์กัดกร่อนหรือมีส่วนผสมของตัวทำละลาย
- ◆ ปิดตัวจับแท่งพวงออกมาเคาะเป็นประจำเพื่อกำจัดฝุ่นที่ติดอยู่ภายใน

การปกป้องสิ่งแวดล้อม



การเก็บรวบรวมแบบคัดแยก ห้ามทิ้งผลิตภัณฑ์และแบตเตอรี่ที่มีสัญลักษณ์นี้พร้อมกับขยะในครัวเรือนปกติ

ผลิตภัณฑ์และแบตเตอรี่ประกอบด้วยวัสดุที่สามารถนำกลับมาใช้ใหม่หรือรีไซเคิลได้ เพื่อลดความต้องการวัตถุดิบ โปรดรีไซเคิลอุปกรณ์ไฟฟ้าและแบตเตอรี่ตามข้อบังคับในท้องถิ่น



การเก็บรวบรวมแบบคัดแยกสำหรับบรรจุภัณฑ์และผลิตภัณฑ์ที่ใช้แล้วทำให้สามารถรีไซเคิลวัสดุและนำมาใช้งานอีกครั้ง การนำวัสดุรีไซเคิลมาใช้อีกครั้งจะช่วยป้องกันมลพิษต่อสิ่งแวดล้อมและลดความต้องการวัตถุดิบ

รัฐบาลในบางประเทศอาจกำหนดให้มีศูนย์กำจัดของเสียของเทศบาลหรือท้องถิ่น หรือร้านค้าปลีกสำหรับผลิตภัณฑ์ใหม่ที่ได้รับบริการรีไซเคิลผลิตภัณฑ์อิเล็กทรอนิกส์แก่บ้านเรือนต่างๆ

หมายเหตุ

เนื่องจาก STANLEY มีนโยบายพัฒนาปรับปรุงผลิตภัณฑ์อย่างต่อเนื่อง ดังนั้น เราจึงขอสงวนสิทธิ์ในการเปลี่ยนแปลงข้อมูลจำเพาะของผลิตภัณฑ์โดยไม่แจ้งให้ทราบล่วงหน้า

อุปกรณ์มาตรฐานและอุปกรณ์เสริมอาจแตกต่างกันในแต่ละประเทศ

ข้อมูลจำเพาะของผลิตภัณฑ์อาจแตกต่างกันในแต่ละประเทศ

ตัวเลือกผลิตภัณฑ์อาจมีจำหน่ายไม่ครบทุกรายการในบางประเทศ โปรดสอบถามตัวเลือกผลิตภัณฑ์จากตัวแทนจำหน่าย STANLEY ในประเทศของคุณ

ข้อมูลทางเทคนิค

SBH201		
แรงดันไฟฟ้า	V _{DC}	18 โวลต์
ความเร็วขณะไม่มีโหลด	นาที ⁻¹	0-430/ 0-1700
แรงบิดสูงสุด	นิวตัน-เมตร	55
ขนาดตัวจับดอกไขควง	มม.	13
ความสามารถในการเจาะสูงสุด		
เหล็ก/ไม้	มม.	13/35
น้ำหนัก	กก.	1.5

เครื่องชาร์จ	SC201	SC202
แรงดันไฟฟ้าเข้า	V _{AC} 230	230
แรงดันไฟออก	V _{DC} 18	18
กระแสไฟฟ้า	แอมป์ 1000	2000
ระยะเวลาชาร์จโดยประมาณ	นาฬิกา 80-240	40-120

แบตเตอรี่	SCB20C	SCB20S	SCB20D	SCB20M
			STBL182	STBL184
แรงดันไฟฟ้า	V _{AC} 18	18	18	18
ความจุ	แอมป์-ชั่วโมง 1.3	1.5	2.0	4.0
ประเภท	Li-Ion	Li-Ion	Li-Ion	Li-Ion

ระดับแรงดันเสียงตามมาตรฐาน EN 60745:	
แรงดันเสียง (L _{PA})	93.5 dB(A), ความไม่แน่นอน (K) 3 dB(A)
แรงดันเสียง (L _{WA})	104.5 dB(A), ความไม่แน่นอน (K) 3 dB(A)

ค่ารวมของการสั่นสะเทือน (triax vector sum) ตามมาตรฐาน EN 60745:	
การเจาะคอนกรีต (a _{h,D})	1.4 m/s ² , ความไม่แน่นอน (K) 1.5 m/s ²
การขุดสกรูโดยไม่มีแรงกระแทก (a _n)	0.8 m/s ² , ความไม่แน่นอน (K) 1.5 m/s ²
การเจาะกระแทกคอนกรีต (a _{h,TD})	11.3 m/s ² , ความไม่แน่นอน (K) 1.5 m/s ²

Mục đích sử dụng

Máy khoan búa/bắt vít SBH201 của Stanley được thiết kế để bắt vít và khoan gỗ, kim loại, nhựa và tường mềm. Công cụ này phù hợp để sử dụng cho người dùng chuyên nghiệp, tư nhân và không chuyên.

HƯỚNG DẪN AN TOÀN

Cảnh báo chung về an toàn cho dụng cụ điện cầm tay



Cảnh báo! Hãy đọc tất cả các cảnh báo và hướng dẫn về an toàn. Việc không tuân theo các cảnh báo và hướng dẫn được liệt kê dưới đây có thể gây giật điện, cháy nổ và/hoặc chấn thương nghiêm trọng.

Giữ lại tất cả các cảnh báo và hướng dẫn để sau này tham khảo. Thuật ngữ "dụng cụ điện cầm tay" trong phần cảnh báo chỉ thiết bị chạy bằng điện nguồn (có dây điện) hoặc thiết bị chạy bằng pin (không có dây điện).

1. An toàn tại nơi làm việc

- Giữ cho nơi làm việc luôn sạch sẽ và đủ ánh sáng.** Những khu vực bừa bộn hoặc thiếu ánh sáng dễ gây tai nạn.
- Không vận hành dụng cụ điện cầm tay trong các môi trường dễ cháy nổ, như các môi trường có chất lỏng, khí hoặc bụi dễ cháy.** Dụng cụ điện cầm tay tạo ra các tia lửa điện có thể gây cháy bụi hoặc bốc khói.
- Không cho trẻ em và những người quan sát lại gần khi đang vận hành dụng cụ điện cầm tay.** Những lúc xao lãng có thể khiến bạn mất kiểm soát.

2. An toàn điện

- Phích cắm của dụng cụ điện cầm tay phải vừa với ổ cắm.** Không được sửa đổi phích cắm dưới bất kỳ hình thức nào. Không được sử dụng các phích cắm chuyển đổi với những dụng cụ điện cầm tay có nối đất. Phích cắm nguyên trạng và ổ cắm phù hợp sẽ giúp giảm nguy cơ bị điện giật.
- Tránh tiếp xúc với các bề mặt được nối đất như đường ống, lò sưởi, bếp nướng và tủ lạnh.** Nguy cơ bị điện giật sẽ cao hơn nếu cơ thể bạn tiếp xúc trực tiếp với đất.
- Không để dụng cụ điện cầm tay ngoài trời mưa hoặc ở nơi ẩm ướt.** Nước vào trong dụng cụ điện cầm tay sẽ làm tăng nguy cơ bị điện giật.

- Không dùng dây điện cho các mục đích khác.** Tuyệt đối không sử dụng dây điện để mang, kéo hoặc rút phích cắm dụng cụ điện cầm tay. Để dây điện cách xa nguồn nhiệt, dầu mỡ, các cạnh sắc hoặc các bộ phận chuyển động. Dây điện bị hỏng hoặc bị vướng sẽ làm tăng nguy cơ bị điện giật.
- Khi vận hành dụng cụ điện cầm tay ngoài trời, hãy sử dụng dây nối dài phù hợp để sử dụng ngoài trời.** Sử dụng dây điện phù hợp để sử dụng ngoài trời sẽ giúp giảm nguy cơ bị điện giật.
- Nếu bắt buộc phải vận hành dụng cụ điện cầm tay ở nơi ẩm ướt, hãy sử dụng nguồn được bảo vệ bởi thiết bị ngắt mạch tự động (RCD).** Sử dụng RCD giúp giảm nguy cơ bị điện giật.

3. An toàn cá nhân

- Hãy tập trung, chú ý vào những gì bạn đang làm và tỉnh táo khi vận hành dụng cụ điện cầm tay.** Không được sử dụng dụng cụ điện cầm tay khi bạn đang mệt hoặc đang bị ảnh hưởng của ma túy, rượu hoặc thuốc. Chỉ một khoảnh khắc mất tập trung trong khi vận hành dụng cụ điện cầm tay cũng có thể dẫn đến chấn thương cá nhân nghiêm trọng.
- Sử dụng thiết bị bảo hộ cá nhân.** Luôn đeo kính bảo hộ. Thiết bị bảo hộ như mặt nạ chống bụi, giày chống trượt, mũ cứng hoặc thiết bị bảo vệ tai - nếu được sử dụng ở những điều kiện phù hợp - sẽ giúp giảm các chấn thương cá nhân.
- Tránh vô tình bật máy.** Đảm bảo rằng công tắc ở vị trí tắt trước khi nối với nguồn điện và/hoặc pin, khi cầm hoặc mang thiết bị. Việc cầm dụng cụ điện cầm tay khi ngón tay đặt vào công tắc hoặc sạc pin cho dụng cụ điện cầm tay khi công tắc đang bật có thể gây tai nạn.
- Hãy tháo hết khóa điều chỉnh hoặc cờ lê trước khi bật dụng cụ điện cầm tay.** Cờ lê hoặc khóa vẫn để ở bộ phận quay của dụng cụ điện cầm tay có thể dẫn đến chấn thương cá nhân.
- Không được rời tay.** Hãy đứng ở tư thế thích hợp và luôn giữ thẳng bằng. Điều đó giúp kiểm soát dụng cụ điện cầm tay tốt hơn trong các tình huống bất ngờ.
- Mặc quần áo phù hợp.** Không mặc quần áo rộng hoặc đeo đồ trang sức. Giữ cho tóc, quần áo và găng tay tránh xa các bộ phận chuyển động. Quần áo rộng, đồ trang sức hoặc tóc dài có thể bị mắc vào các bộ phận chuyển động.
- Nếu các thiết bị được cung cấp để nối các phương tiện hút và gom bụi, hãy đảm bảo**

những thiết bị này được nối và sử dụng đúng cách. Sử dụng thiết bị gom bụi có thể giảm các nguy cơ liên quan đến bụi.

4. Sử dụng và bảo quản dụng cụ điện cầm tay

- a. **Sử dụng dụng cụ điện cầm tay phù hợp.** Sử dụng dụng cụ điện cầm tay phù hợp với mục đích của bạn. Dụng cụ phù hợp sẽ giúp bạn làm việc hiệu quả và an toàn hơn theo đúng tốc độ được thiết kế.
- b. **Không sử dụng dụng cụ điện cầm tay nếu công tắc không bật và tắt được.** Những dụng cụ điện cầm tay không điều khiển được bằng công tắc đều rất nguy hiểm và cần phải được sửa chữa.
- c. **Rút phích cắm dụng cụ điện cầm tay khỏi nguồn điện và/hoặc pin trước khi thực hiện các điều chỉnh, thay đổi phụ kiện hoặc cất giữ dụng cụ.** Các biện pháp an toàn phòng ngừa đó giúp giảm nguy cơ khởi động dụng cụ điện cầm tay một cách tình cờ.
- d. **Bảo quản các dụng cụ điện cầm tay không sử dụng tránh xa tầm tay trẻ em và không cho phép những người không quen với dụng cụ điện cầm tay hoặc những hướng dẫn này vận hành dụng cụ điện cầm tay.** Dụng cụ điện cầm tay sẽ rất nguy hiểm khi được sử dụng bởi những người chưa được huấn luyện.
- e. **Bảo trì dụng cụ điện cầm tay.** Kiểm tra các bộ phận di chuyển xem có bị lấp lách hoặc kẹt không, các bộ phận có bị vỡ không và bất kỳ tình trạng nào khác có thể ảnh hưởng đến việc vận hành dụng cụ. Nếu dụng cụ điện cầm tay bị hỏng, hãy sửa chữa trước khi sử dụng. Rất nhiều tai nạn xảy ra do công tác bảo trì các dụng cụ điện cầm tay kém.
- f. **Đảm bảo các thiết bị cắt luôn sắc và sạch sẽ.** Các dụng cụ cắt được bảo trì đúng cách với các cạnh cắt sắc sẽ ít bị kẹt hơn và dễ điều khiển hơn.
- g. **Sử dụng dụng cụ điện cầm tay, các phụ kiện và mũi khoan, v.v. theo hướng dẫn này, chú ý đến các điều kiện làm việc và công việc cần thực hiện.** Sử dụng dụng cụ điện cầm tay sai mục đích có thể gây nguy hiểm.

5. Sử dụng và bảo quản pin

- a. **Chỉ sạc lại pin bằng bộ sạc do nhà sản xuất quy định.** Bộ sạc chỉ thích hợp cho một loại pin, nếu sử dụng với loại pin khác có thể tạo nguy cơ cháy.

- b. **Chỉ sử dụng dụng cụ điện cầm tay với các loại pin được chỉ định cụ thể.** Sử dụng các bộ pin khác có thể tạo nguy cơ bị chấn thương và nguy cơ cháy.
- c. **Khí không sử dụng pin, để pin tránh xa các vật dụng kim loại như kẹp giấy, tiền đồng, chìa khóa, đinh, vít hay các vật dụng kim loại nhỏ khác có thể tạo kết nối từ cực này sang cực khác.** Trường hợp các cực của pin bị chạm mạch với nhau có thể gây hỏa hoạn.
- d. **Trong các điều kiện sử dụng cho nhiều mục đích khác, có thể bơm chất lỏng từ pin; tránh tiếp xúc. Nếu vô tình tiếp xúc, rửa lại bằng nước. Nếu chất lỏng dính vào mắt, hãy đến cơ sở y tế nhờ can thiệp.** Chất lỏng chảy ra từ pin có thể gây kích ứng hoặc bỏng da.

6. Bảo dưỡng

- a. **Hãy để nhân viên bảo dưỡng có chuyên môn tiến hành bảo dưỡng dụng cụ điện cầm tay cho bạn và chỉ sử dụng các bộ phận thay thế chính hãng.** Điều này giúp đảm bảo độ an toàn của dụng cụ điện đó.

CẢNH BÁO KHÁC VỀ AN TOÀN DỤNG CỤ ĐIỆN CẦM TAY



Cảnh báo! Các cảnh báo an toàn bổ sung cho máy khoan/máy bắt vít

- ◆ **Mang thiết bị bảo vệ tai khi làm việc với máy khoan búa.** Việc tiếp xúc với tiếng ồn có thể làm giảm thính lực.
- ◆ **Sử dụng các tay cầm phụ kèm theo dụng cụ.** Việc mất khả năng kiểm soát có thể gây chấn thương cá nhân.
- ◆ **Chỉ cầm dụng cụ điện cầm tay ở phần bề mặt tay cầm cách điện khi thực hiện thao tác mà phụ kiện cắt có thể tiếp xúc với hệ thống dây điện chìm.**
Phụ kiện cắt tiếp xúc với dây điện "có điện" có thể truyền điện cho các bộ phận kim loại hở của dụng cụ điện cầm tay và có thể khiến nhân viên vận hành bị điện giật.
- ◆ **Chỉ cầm dụng cụ điện cầm tay ở phần bề mặt tay cầm cách điện khi thực hiện thao tác mà vít có thể tiếp xúc với hệ thống dây điện chìm.** Vít tiếp xúc với dây "có điện" có thể khiến các bộ phận kim loại hở của dụng cụ điện cầm tay "nhiễm điện" và khiến người vận hành bị giật điện.
- ◆ **Dùng kẹp hay áp dụng một biện pháp thực tế khác nhằm bảo đảm và cố định phối gia**

công trên bàn máy. Giữ phôi bằng tay hay dựa vào người bạn đều làm cho phôi không vững và có thể dẫn tới mất kiểm soát.

- ◆ Trước khi khoan vào tường, sàn hay trần nhà, hãy kiểm tra vị trí lắp đặt đường dây điện và đường ống.
- ◆ Tránh chạm vào đầu mũi khoan ngay sau khi khoan vì mũi khoan lúc này vẫn có thể đang nóng.
- ◆ Mục đích sử dụng được mô tả trong tài liệu hướng dẫn này. Việc sử dụng bất kỳ phụ kiện hay đồ gá hoặc thực hiện bất kỳ thao tác nào với dụng cụ này không theo các mục đích sử dụng khuyến nghị trong hướng dẫn sử dụng này có thể dẫn đến nguy cơ chấn thương cá nhân và/hoặc hư hỏng tài sản.

VẤN ĐỀ AN TOÀN ĐỐI VỚI NGƯỜI KHÁC

- ◆ Không cho phép những cá nhân (bao gồm cả trẻ em) bị suy giảm năng lực thể chất, trí tuệ hoặc cảm giác, hay người thiếu kinh nghiệm và kiến thức sử dụng dụng cụ điện cầm tay này, trừ khi có sự giám sát hoặc hướng dẫn sử dụng dụng cụ của người chịu trách nhiệm về vấn đề an toàn của những cá nhân này.
- ◆ Phải giám sát để đảm bảo trẻ không nghịch thiết bị.

Các nguy cơ khác

Các nguy cơ khác có thể phát sinh khi sử dụng dụng cụ không nằm trong các cảnh báo an toàn đính kèm. Những nguy cơ này có thể phát sinh từ việc sử dụng sai mục đích, sử dụng trong thời gian dài, v.v.

Kể cả việc áp dụng các quy tắc an toàn liên quan và dùng các thiết bị an toàn cũng không thể tránh được một số nguy cơ khác. Những nguy cơ này gồm:

- ◆ Chấn thương do chạm vào bất kỳ bộ phận đang quay/chuyển động nào.
- ◆ Chấn thương do thay đổi bất kỳ bộ phận, lưỡi dao hay phụ kiện nào.
- ◆ Chấn thương do sử dụng dụng cụ trong thời gian dài. Khi sử dụng bất kỳ một dụng cụ nào trong khoảng thời gian dài, bạn phải đảm bảo nghỉ giải lao thường xuyên.
- ◆ Suy giảm thính lực.
- ◆ Các mối nguy hại cho sức khỏe do hít phải nhiều bụi khi sử dụng thiết bị (chẳng hạn:- làm việc với gỗ, đặc biệt là gỗ sồi, gỗ dẻ gai và gỗ ép.)

Rung

Các giá trị phát rung động được công bố và ghi trong dữ liệu kỹ thuật cũng như tuyên bố về tính phù hợp đã được đo theo phương pháp kiểm tra tiêu chuẩn EN 60745 và có thể được sử dụng để so sánh dụng cụ này với dụng cụ khác. Giá trị phát rung động được công bố cũng có thể được sử dụng trong đánh giá sơ bộ về mức độ phơi nhiễm.

Cảnh báo! Độ rung của dụng cụ trong quá trình sử dụng thực tế có thể khác với giá trị thiết kế, phụ thuộc vào cách sử dụng dụng cụ. Độ rung có thể tăng cao hơn mức được công bố.

Khi đánh giá độ rung nhằm đưa ra các biện pháp an toàn theo 2002/44/EC để bảo vệ những người thường xuyên sử dụng dụng cụ điện cầm tay trong công việc, cần xem xét ước tính mức độ rung, thông qua các điều kiện và cách sử dụng dụng cụ trên thực tế, bao gồm việc xem xét tất cả các bộ phận thuộc chu trình vận hành như thời điểm tắt dụng cụ và thời điểm tạm dừng dụng cụ ngoài những thời gian ngắn.

KÝ HIỆU TRÊN DỤNG CỤ

Trên thiết bị có các ký hiệu sau cùng với mã ngày:



Cảnh báo! Để giảm nguy cơ chấn thương, người dùng phải đọc hướng dẫn sử dụng.



Mang thiết bị bảo vệ tai khi làm việc với chế độ khoan búa. Việc tiếp xúc với tiếng ồn có thể làm giảm thính lực.

Các hướng dẫn an toàn bổ sung cho pin và bộ sạc (Không được cung cấp theo dụng cụ)

Pin

- ◆ Không được cố mở pin vì bất cứ lý do nào.
- ◆ Không để pin tiếp xúc với nước.
- ◆ Không bảo quản ở nơi nhiệt độ có khả năng vượt quá 40°C.
- ◆ Chỉ sạc pin khi nhiệt độ môi trường nằm trong khoảng từ 10°C đến 40°C.
- ◆ Chỉ sử dụng bộ sạc pin được cung cấp cùng với dụng cụ.
- ◆ Khi rút bỏ pin, phải tuân theo các hướng dẫn nêu trong phần "Bảo vệ môi trường".



Không cố sạc pin khi đã hỏng.

Bộ sạc

- ◆ Chỉ sử dụng bộ sạc Stanley để sạc pin đi kèm với dụng cụ. Các loại pin khác có thể gây cháy nổ và chấn thương cá nhân.
- ◆ Tuyệt đối không cố sạc loại pin dùng một lần.
- ◆ Nếu dây điện bị hỏng, cần thay mới ngay.
- ◆ Không để bộ sạc tiếp xúc với nước.
- ◆ Không mở bộ sạc ra.
- ◆ Không chọc que vào bộ sạc.



Chỉ sử dụng bộ sạc trong nhà



Đọc kỹ hướng dẫn sử dụng trước khi dùng.

An toàn điện



Bộ sạc của bạn đã được cách điện kép; do vậy không cần dây nối đất. Luôn kiểm tra điện áp nguồn xem có bằng với điện áp trên tấm định mức hay không. Tuyệt đối không cố thay thế bộ sạc bằng phích cắm thông thường.

- ◆ Nếu dây cấp điện bị hỏng, việc thay thế phải do nhà sản xuất hoặc trung tâm bảo hành được ủy quyền của Stanley thực hiện để tránh gây nguy hiểm.

TÍNH NĂNG

Thiết bị này gồm một số hoặc tất cả những tính năng sau.

1. Công tắc khởi động
2. Nút điều khiển thuận/ngịch
3. Vòng điều chỉnh mô men
4. Công tắc chọn số hai tốc độ
5. Đầu kẹp không khóa
6. Pin
7. Nút nhà pin
8. Đèn làm việc LED
9. Giá giữ mũi khoan

Hãy sử dụng

Cảnh báo! Đảm bảo dụng cụ làm việc ở tốc độ cho phép.

Không được chạy quá tải.

SẠC PIN

Cần sạc pin trước lần sử dụng đầu tiên và bất cứ khi nào pin không đủ điện để thực hiện công việc mà trước đó đã được thực hiện một cách dễ dàng. Khi sạc, pin sẽ ấm lên; điều này hoàn toàn bình thường và không có gì đáng lo ngại.

Cảnh báo! Không sạc pin khi nhiệt độ xung quanh dưới 10°C hoặc trên 40°C. Nhiệt độ sạc khuyến nghị: khoảng 24°C.

Lưu ý: Bộ sạc sẽ không sạc pin nếu nhiệt độ pin dưới khoảng 10°C hoặc trên 40°C.

Cần để pin trong bộ sạc và bộ sạc sẽ bắt đầu tự động sạc pin khi nhiệt độ pin tăng lên hoặc giảm xuống.

- ◆ Cắm phích cắm bộ sạc vào ổ cắm phù hợp trước khi lắp pin.
- ◆ Lắp pin vào bộ sạc.



Đèn LED màu xanh sẽ nhấp nháy báo hiệu đang sạc pin.



Khi đèn LED xanh phát sáng liên tục nghĩa là đã sạc xong. Pin đã được sạc đầy và có thể được sử dụng ngay hoặc để lại trong bộ sạc.

Cảnh báo! Nhanh chóng sạc lại pin đã hết sau khi sử dụng nếu không tuổi thọ pin sẽ bị giảm nhanh chóng.

Chẩn đoán bộ sạc

Bộ sạc này được thiết kế để phát hiện các sự cố nhất định có thể phát sinh với pin hoặc nguồn điện. Đèn LED sẽ nhấp nháy để báo hiệu sự cố theo các kiểu khác nhau.

Pin hỏng



Bộ sạc có thể phát hiện ra pin yếu hoặc hỏng. Đèn LED màu đỏ nhấp nháy theo cách thức ghi trên nhãn. Nếu bạn thấy kiểu nhấp nháy báo pin hỏng này, không tiếp tục sạc pin. Hãy gửi pin đến trung tâm dịch vụ hoặc địa điểm thu gom để tái chế.

Ngừng sạc pin do quá nóng/lạnh



Khi phát hiện pin quá nóng hoặc quá lạnh, bộ sạc sẽ tự động khởi động tính năng Ngừng sạc do quá nóng/lạnh, ngừng sạc cho tới khi pin trở lại bình thường. Sau khi pin trở lại bình thường, bộ sạc sẽ tự động chuyển sang chế độ Sạc pin. Tính năng này giúp đảm bảo tuổi thọ tối đa của pin. Đèn LED màu đỏ nhấp nháy theo cách thức ghi trên nhãn khi phát hiện tình trạng Ngừng sạc pin do quá nóng/lạnh.

Dây điện gặp sự cố.



Khi bộ sạc được sử dụng cùng một số nguồn điện di động như máy phát hoặc nguồn chuyển DC sang AC, bộ sạc có thể tạm thời ngừng hoạt động. Đèn LED nhấp nháy theo cách thức ghi trên nhãn. Báo hiệu rằng nguồn điện đang quá tải.

Đề pin trong bộ sạc

Bộ sạc và pin có thể đề kết nối khi đèn LED phát sáng liên tục. Bộ sạc sẽ giữ cho pin luôn mới và đầy.

LƯU Ý QUAN TRỌNG KHI SẠC

- ◆ Nếu sạc pin khi nhiệt độ môi trường nằm trong khoảng từ 65°F đến 75°F (18°- 24°C), pin sẽ có tuổi thọ dài nhất và hoạt động hiệu quả nhất. **KHÔNG** sạc pin trong điều kiện nhiệt độ môi trường dưới +40°F(+4,5°C) hoặc trên +105°F (+40,5°C). Điều này rất quan trọng và sẽ ngăn chặn tình trạng pin bị hư hỏng nghiêm trọng.
- ◆ Khi đang sạc, bộ sạc và pin có thể nóng dần lên. Đây là tình trạng bình thường và không có gì đáng lo ngại. Để làm nguội pin nhanh hơn sau khi sử dụng, tránh để bộ sạc hoặc pin trong môi trường nhiệt độ cao chẳng hạn như trong xưởng bằng kim loại hoặc xe moóc không được cách nhiệt.
- ◆ Nếu pin không sạc được:
 - ◆ Hãy kiểm tra dòng điện tại ổ cắm bằng cách cắm bóng đèn hoặc các thiết bị khác.
 - ◆ Kiểm tra xem ổ cắm nối với công tắc đèn có làm ngắt điện khi bạn tắt bóng đèn không.
 - ◆ Mang bộ sạc và sạc tới nơi có nhiệt độ môi trường xung quanh nằm trong khoảng từ 65°F đến 75°F (18°- 24°C). Nếu pin vẫn không sạc được, hãy mang dụng cụ, pin và bộ sạc tới trung tâm dịch vụ Stanley
- ◆ Phải sạc lại pin nếu pin không thể tạo ra đủ điện để làm việc dễ dàng như trước đó.
- ◆ **KHÔNG TIẾP TỤC** sử dụng pin trong những điều kiện này. Làm theo quy trình sạc.
- ◆ Ngoài ra, bạn cũng có thể sạc pin đã sử dụng một phần bất cứ khi nào bạn muốn mà không ảnh hưởng xấu tới pin.

Lắp và tháo pin ra khỏi dụng cụ

Cảnh báo! Đảm bảo nút khóa công tắc ở vị trí đóng để tránh khởi động công tắc trước khi tháo hoặc lắp pin.

Đề lắp pin

- ◆ Lắp pin chắc chắn vào dụng cụ cho tới khi nghe thấy tiếng cách như được minh họa trong hình B1. Đảm bảo pin được đặt chắc chắn và nằm khít hoàn toàn vào vị trí.

Đề tháo pin

- ◆ Ấn nút nhả pin (7) như được minh họa trong hình B2 rồi kéo pin ra khỏi dụng cụ.

Công tắc khởi động và nút điều khiển thuận/ngịch - hình C

- ◆ **BẬT** và **TẮT** máy khoan bằng cách kéo rời nhà công tắc khởi động (1) như trong hình C. Càng nhấn mạnh công tắc này thì tốc độ khoan càng lớn.
- ◆ Nút điều khiển thuận/ngịch (2) quyết định hướng quay của dụng cụ và cũng có chức năng như một nút khóa.
- ◆ Để chọn quay theo chiều thuận, hãy nhấn công tắc khởi động và ấn nút đảo chiều thuận/ngịch ở phía bên phải của dụng cụ.
- ◆ Để chọn quay theo chiều ngược, ấn nút điều khiển thuận/ngịch ở bên trái của dụng cụ.
- ◆ Vị trí ở giữa của nút đảo chiều sẽ khóa dụng cụ ở vị trí tắt. Khi thay đổi vị trí của nút đảo chiều, phải đảm bảo đã nhả nút khởi động.

SỬ DỤNG

Điều chỉnh kiểm soát mô men - hình D

- Dụng cụ này được trang bị vòng điều chỉnh mô men (3) để chọn chế độ vận hành và thiết lập mô men để xiết chặt vít. Vít kích thước lớn hoặc vật liệu phi cứng đòi hỏi mô men cao hơn loại vít nhỏ và vật liệu phi mềm.
- ◆ Để khoan gỗ, kim loại và nhựa, xoay vòng điều chỉnh đến ký hiệu vị trí khoan.
 - ◆ Để bắt vít, xoay vòng điều chỉnh đến vị trí mong muốn. Nếu bạn chưa biết vị trí phù hợp, thực hiện như sau:
 - ◆ Xoay vòng điều chỉnh đến vị trí mô men thấp nhất.
 - ◆ Bắt vít đầu tiên.
 - ◆ Nếu khớp ly hợp tạo bánh cóc trước khi đạt được kết quả mong muốn thì xoay vòng điều chỉnh lên mức cao hơn và tiếp tục bắt vít.
 - ◆ Lắp lại cho đến khi bạn thiết lập được vị trí phù hợp.
 - ◆ Sử dụng vị trí thiết lập này cho các vít còn lại.

Công tắc hai tốc độ - hình E

Tính năng hai tốc độ của máy khoan này cho phép bạn chuyển số để vận hành linh hoạt hơn.

- ◆ Để thiết lập tốc độ thấp, mô men xoắn cao (vị trí 1) tắt dụng cụ và đợi dừng hẳn. Trượt nút chọn số (4) ra phía sau xa đầu kẹp.
- ◆ Để thiết lập tốc độ cao, mô men xoắn thấp (vị trí 2), tắt rồi chờ dụng cụ dừng hẳn. Trượt nút chọn số về phía đầu kẹp.

Lưu ý: Không thay đổi số khi dụng cụ đang chạy. Nếu bạn gặp khó khăn khi thay đổi số, hãy đảm bảo nút chọn số hai tốc độ được đẩy hết về phía trước hoặc phía sau.

Đầu kẹp không khóa - hình F

Cảnh báo! Đảm bảo rằng bạn đã tháo pin để tránh khởi động dụng cụ trước khi lắp hoặc tháo phụ kiện. Để lắp mũi khoan hoặc phụ kiện khác:

- ◆ Giữ chặt đầu kẹp (5) và xoay ngược chiều kim đồng hồ, theo hướng nhìn từ đầu kia của đầu kẹp.
- ◆ Lắp hết mũi khoan hoặc phụ kiện khác vào đầu kẹp rồi xiết chặt bằng cách xoay đầu kẹp theo chiều kim đồng hồ theo hướng nhìn từ đầu kia của đầu kẹp.

Cảnh báo! Không xiết chặt hay nới lỏng mũi khoan (hoặc bất kỳ phụ kiện nào khác) bằng cách cầm phần phía trước của đầu kẹp và bật dụng cụ. Thay phụ kiện theo cách này có thể dẫn đến hỏng hóc đầu kẹp và chấn thương cá nhân.

Chức năng khoan búa

Máy khoan SBH201 có chức năng khoan búa, hoạt động bằng cách xoay vòng điều chỉnh đến ký hiệu khoan búa

Sử dụng chức năng khoan búa khi khoan tường.

Cảnh báo! Khi vòng điều chỉnh mô men ở vị trí khoan hoặc khoan búa, máy khoan sẽ không khớp ly hợp. Máy khoan có thể ngừng hoạt động nếu bị quá tải, gây ra tình trạng xoắn đột ngột.

Bắt vít

- ◆ Để bắt vít, phải đẩy nút điều khiển thuận/ngược sang bên trái.
- ◆ Sử dụng chiều quay ngược (nút được đẩy sang bên phải) để tháo vít.

Lưu ý: Khi chuyển từ chiều quay thuận sang chiều quay ngược, hoặc ngược lại trước tiên phải nhả công tắc khởi động.

Khoan

- ◆ Chỉ sử dụng mũi khoan sắc.
- ◆ Đỡ và cố định phối gia công theo hướng dẫn trong mục Hướng dẫn An toàn.
- ◆ Sử dụng thiết bị phù hợp và an toàn theo hướng dẫn trong mục Hướng dẫn an toàn.
- ◆ Đảm bảo an toàn và duy trì khu vực gia công theo hướng dẫn trong mục Hướng dẫn an toàn.
- ◆ Chạy máy khoan từ từ, dùng lực ấn nhẹ, cho đến khi lỗ khoan đủ lớn để giữ mũi khoan không bị trượt ra ngoài.
- ◆ Ấn thẳng xuống theo chiều mũi khoan. Dùng lực ấn vừa đủ để giữ cho mũi khoan cắm vào phối nhưng không quá mạnh để tránh làm động cơ bị tắt đột ngột hoặc hỏng mũi khoan.
- ◆ Giữ chặt máy khoan bằng hai tay, một tay đặt lên tay cầm và tay còn lại cầm vào phần dưới cùng quanh khu vực chứa pin hoặc tay cầm phụ nếu có.
- ◆ **KHÔNG ĐƯỢC BẬT/TẮT CÔNG TẮC KHỞI ĐỘNG LIÊN TỤC KHI MÁY KHOAN BỊ DỪNG ĐỂ CỐ KHỞI ĐỘNG LẠI MÁY. LÀM VẬY CÓ THỂ LÀM HỎNG MÁY KHOAN.**
- ◆ Giảm thiểu tình trạng chết máy khi mũi khoan xuyên qua phối gia công bằng cách giảm lực ấn và khoan từ từ khi khoan gần hết lỗ khoan.
- ◆ Khi rút mũi khoan ra khỏi lỗ khoan, hãy giữ cho động cơ tiếp tục chạy. Việc này giúp giảm tình trạng kẹt.
- ◆ Đảm bảo công tắc bật và tắt máy khoan hoạt động tốt.

Khoan gỗ

Có thể tạo các lỗ khoan trên gỗ bằng mũi khoan xoắn sử dụng cho kim loại hoặc bằng mũi khoan hình mai.

Những mũi khoan này phải sắc và phải được tháo ra thường xuyên khi khoan để loại bỏ hết mảnh vật liệu ra khỏi rãnh.

Khoan kim loại

Khi khoan kim loại phải dùng loại dầu bôi trơn cho dụng cụ cắt. Ngoại trừ gang và đồng thau, những chất liệu này nên được khoan khô. Loại dầu bôi trơn tốt nhất là dầu cắt đã lưu hóa.

Khoan tường

Chuyển máy khoan sang 'Chế độ Khoan búa'. Chỉ sử dụng mũi khoan có đầu cacbua. Tham khảo mục Khoan. Tác dụng lực đều vào máy khoan nhưng không ấn mạnh tới mức làm nứt vật liệu giòn. Dùng bụi nhẵn, đều cho thấy tốc độ khoan phù hợp.

LED

Sau khi kéo công tắc khởi động (1) để kích hoạt máy khoan, đèn làm việc LED tích hợp (8) sẽ tự động chiếu sáng khu vực làm việc.

Lưu ý: Đèn làm việc được sử dụng để chiếu sáng trực tiếp bề mặt phải và không thực hiện chức năng của đèn pin.

Bảo quản đầu mũi khoan

Đế của dụng cụ có sẵn khe bảo quản mũi khoan (9).

Khắc phục sự cố

Sự cố	Nguyên nhân có thể	Giải pháp có thể
Thiết bị sẽ không khởi động.	Pin không được lắp đúng cách. Pin không sạc.	Kiểm tra việc lắp pin. Kiểm tra các yêu cầu sạc pin
Thiết bị khởi động ngay khi lắp pin	Công tắc vẫn để ở vị trí "on" (bật).	Đảm bảo công tắc phải được chuyển sang vị trí "off" (tắt) để tránh trường hợp máy khởi động ngay khi lắp pin.
Pin không sạc.	Pin chưa được lắp vào bộ sạc. Chưa cắm sạc. Nhiệt độ môi trường xung quanh quá nóng hoặc quá lạnh.	Lắp pin vào bộ sạc cho đến khi đèn LED sáng. Cắm bộ sạc vào ổ cắm có điện. Di chuyển bộ sạc và pin tới nơi có nhiệt độ môi trường xung quanh trên 40 độ F (45°C) hoặc dưới 105 độ F(+40,5°C)
Thiết bị tắt đột ngột.	Pin đã đến ngưỡng giới hạn chịu nhiệt tối đa. Hết pin (Để tăng tuổi thọ pin, máy khoan được thiết kế để tắt đột ngột khi hết pin)	Để pin nguội hẳn. Lắp pin vào bộ sạc và tiến hành sạc.

- ◆ Thường xuyên lau chùi vỏ động cơ bằng khăn ẩm. Không dùng chất tẩy rửa có chứa dung môi hay chất mài mòn.
- ◆ Thường xuyên mở đầu kẹp và vỏ nhẹ để trút bụi ở bên trong ra.

Bảo vệ môi trường



Thu gom riêng. Không được vứt bỏ sản phẩm và pin có ký hiệu này cùng với rác thải sinh hoạt thông thường.

Sản phẩm và pin chứa vật liệu có thể thu hồi hoặc tái chế giúp giảm nhu cầu về vật liệu thô. Vui lòng tái chế sản phẩm điện và pin theo quy định của địa phương.



Thu gom riêng sản phẩm và bao bì đóng gói đã qua sử dụng sẽ cho phép tái chế và tái sử dụng vật liệu. Tái sử dụng vật liệu tái chế giúp ngăn chặn ô nhiễm môi trường và giảm nhu cầu vật liệu thô.

Một số cơ quan địa phương có thể yêu cầu các trung tâm xử lý rác thải địa phương hoặc đô thị hay nhà bán lẻ sản phẩm mới phải cung cấp dịch vụ tái chế sản phẩm điện tử cho các hộ gia đình.

Lưu ý

Chính sách của STANLEY không ngừng cải thiện với các sản phẩm và do đó, chúng tôi có quyền thay đổi thông số kỹ thuật sản phẩm mà không cần báo trước.

Các thiết bị và phụ kiện chuẩn có thể khác nhau tùy theo từng quốc gia.

Thông số kỹ thuật của sản phẩm có thể khác nhau tùy theo từng quốc gia.

Danh mục sản phẩm hoàn chỉnh có thể không có mặt tại tất cả các quốc gia. Liên hệ với các đại lý STANLEY sở hữu để được cung cấp danh mục sản phẩm

BẢO TRÌ

Dụng cụ của Stanley được thiết kế để vận hành trong thời gian dài và ít phải bảo trì nhất. Dụng cụ vận hành liên tục theo ý muốn tùy thuộc vào việc bảo quản dụng cụ đúng cách và vệ sinh thường xuyên.

Bộ sạc này không cần bảo dưỡng nhưng phải thường xuyên lau chùi.

Cảnh báo! Trước khi tiến hành bảo trì trên dụng cụ, hãy tháo pin ra khỏi dụng cụ. Rút phích cắm bộ sạc trước khi vệ sinh.

- ◆ Thường xuyên lau chùi các khe thông gió trong dụng cụ và bộ sạc bằng chổi mềm hoặc khăn khô.

DỮ LIỆU KỸ THUẬT

SBH201		
Điện áp	V_{DC}	18 V
Tốc độ không tải	Ph^{-1}	0-430/ 0-1700
Mô men tối đa	Nm	55
Kích thước đầu kẹp	mm	13
Khả năng khoan tối đa		
Thép/gỗ	mm	13/35
Trọng lượng	kg	1,5

Bộ sạc		SC201	SC202
Điện áp đầu vào	V_{AC}	230	230
Điện áp đầu ra	V_{DC}	18	18
Dòng điện	mA	1000	2000
Thời gian sạc xấp xỉ	Ph	80-240	40-120

PiIn		SCB20C	SCB20S	SCB20D STBL182	SCB20M STBL184
Điện áp	V_{AC}	18	18	18	18
Dung lượng	Ah	1,3	1,5	2,0	4,0
Loại		Li-Ion	Li-Ion	Li-Ion	Li-Ion

Mức áp suất âm thanh theo EN 60745:

Áp suất âm thanh (L_{pA}) 93,5 dB(A), mức dao động (K) 3 dB(A)

Công suất âm thanh (L_{WA}) 104,5 dB(A), mức dao động (K) 3 dB(A)

Tổng các giá trị rung (tổng vector ba trục) theo EN 60745:

Khoan kim loại ($a_{h,D}$) 1,4 ph/s^2 , mức dao động (K) 1,5 ph/s^2
 Bắt vít thông thường (a_h) 0,8 ph/s^2 , mức dao động (K) 1,5 ph/s^2
 Khoan động lực vào bê tông ($a_{h,ID}$) 11,3 ph/s^2 , mức dao động (K) 1,5 ph/s^2