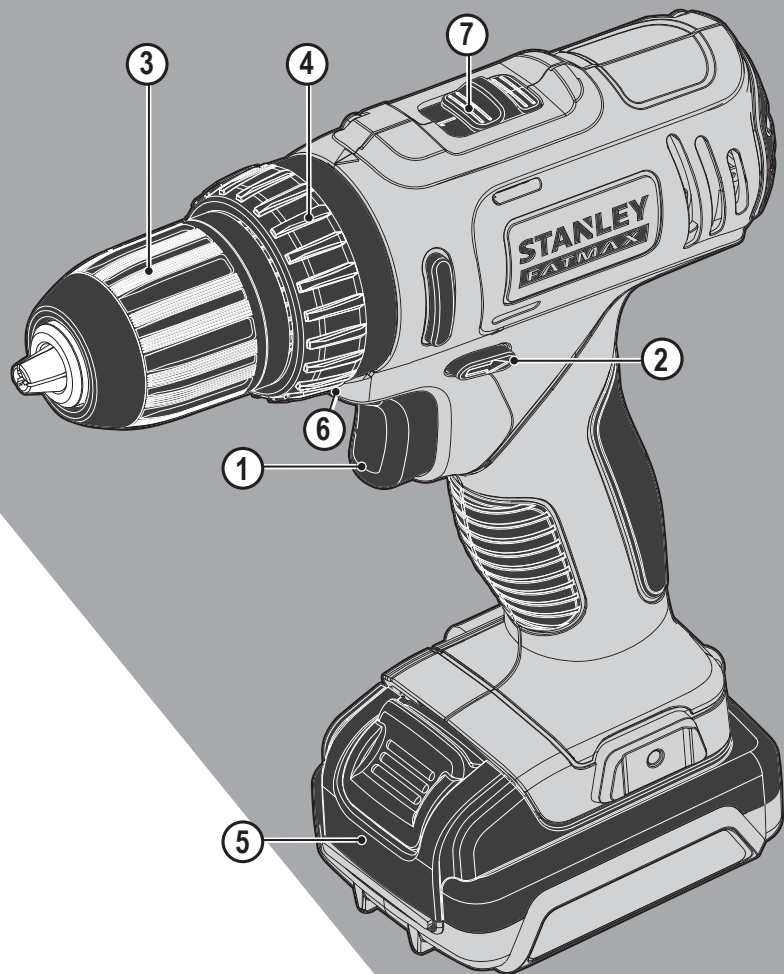


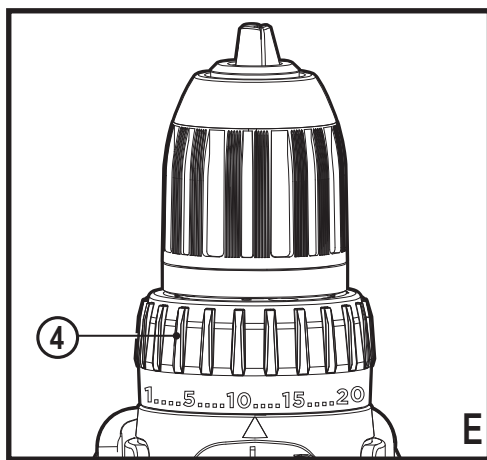
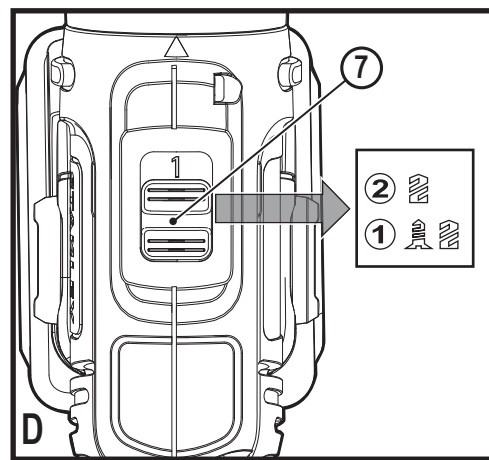
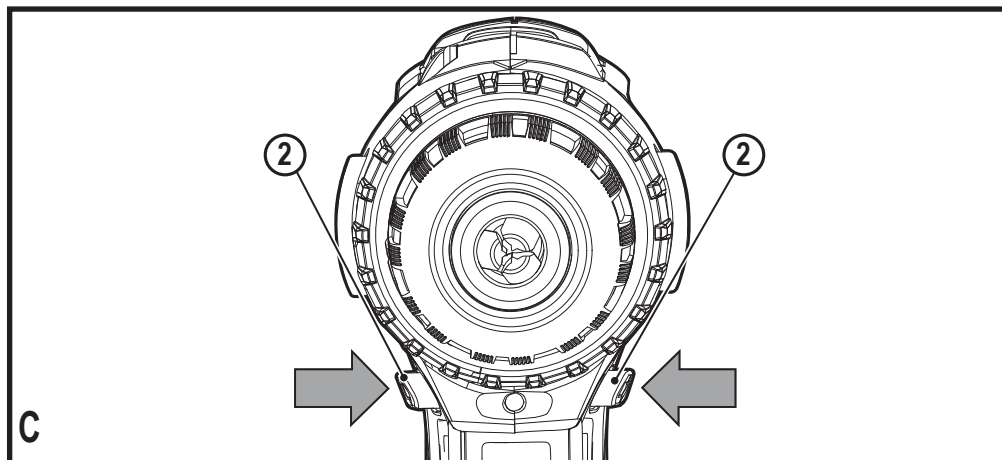
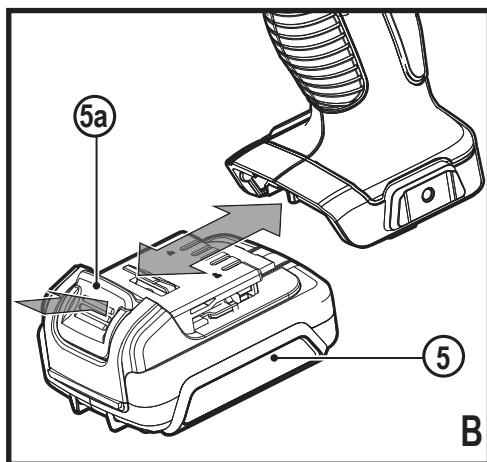
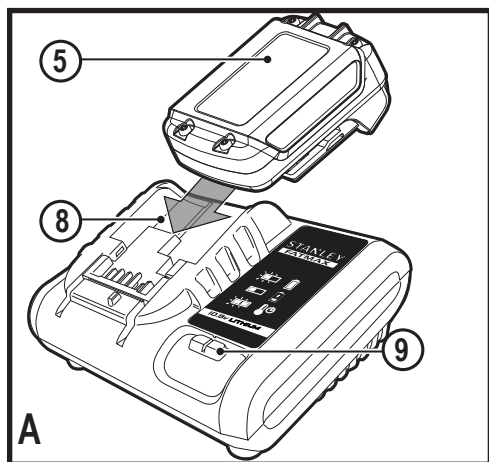
STANLEY®

FATMAX®



www.stanley.eu

KFMCD011



Intended use

Your Stanley Fat Max KFMCD011 drill/screwdriver has been designed for screwdriving applications and for drilling in wood, metal and plastics. This tool is intended for professional and private, non professional users.

Safety instructions

General power tool safety warnings



Warning! Read all safety warnings and all instructions. Failure to follow the warnings and instructions listed below may result in electric shock, fire and/or serious injury.

Save all warnings and instructions for future reference.

The term "power tool" in all of the warnings listed below refers to your mains operated (corded) power tool or battery operated (cordless) power tool.

1. **Work area safety**
 - a. **Keep work area clean and well lit.** Cluttered or dark areas invite accidents.
 - b. **Do not operate power tools in explosive atmospheres, such as in the presence of flammable liquids, gases or dust.** Power tools create sparks which may ignite the dust or fumes.
 - c. **Keep children and bystanders away while operating a power tool.** Distractions can cause you to lose control.
2. **Electrical safety**
 - a. **Power tool plugs must match the outlet. Never modify the plug in any way. Do not use any adapter plugs with earthed (grounded) power tools.** Unmodified plugs and matching outlets will reduce risk of electric shock.
 - b. **Avoid body contact with earthed or grounded surfaces such as pipes, radiators, ranges and refrigerators.** There is an increased risk of electric shock if your body is earthed or grounded.
 - c. **Do not expose power tools to rain or wet conditions.** Water entering a power tool will increase the risk of electric shock.
 - d. **Do not abuse the cord. Never use the cord for carrying, pulling or unplugging the power tool. Keep cord away from heat, oil, sharp edges or moving parts.** Damaged or entangled cords increase the risk of electric shock.
 - e. **When operating a power tool outdoors, use an extension cord suitable for outdoor use.** Use of a cord suitable for outdoor use reduces the risk of electric shock.
 - f. **If operating a power tool in a damp location is unavoidable, use a residual current device (RCD) protected supply.** Use of an RCD reduces the risk of electric shock.
3. **Personal safety**
 - a. **Stay alert, watch what you are doing and use common sense when operating a power tool. Do not use a power tool while you are tired or under the influence of drugs, alcohol or medication.** A moment of inattention while operating power tools may result in serious personal injury.
 - b. **Use personal protective equipment. Always wear eye protection.** Protective equipment such as dust mask, non-skid safety shoes, hard hat, or hearing protection used for appropriate conditions will reduce personal injuries.
 - c. **Prevent unintentional starting. Ensure the switch is in the off-position before connecting to power source and/or battery pack, picking up or carrying the tool.** Carrying power tools with your finger on the switch or energising power tools that have the switch on invites accidents.
 - d. **Remove any adjusting key or wrench before turning the power tool on.** A wrench or a key left attached to a rotating part of the power tool may result in personal injury.
 - e. **Do not overreach. Keep proper footing and balance at all times.** This enables better control of the power tool in unexpected situations.
 - f. **Dress properly. Do not wear loose clothing or jewellery. Keep your hair, clothing and gloves away from moving parts.** Loose clothes, jewellery or long hair can be caught in moving parts.
 - g. **If devices are provided for the connection of dust extraction and collection facilities, ensure these are connected and properly used.** Use of dust collection can reduce dust-related hazards.
4. **Power tool use and care**
 - a. **Do not force the power tool. Use the correct power tool for your application.** The correct power tool will do the job better and safer at the rate for which it was designed.
 - b. **Do not use the power tool if the switch does not turn it on and off.** Any power tool that cannot be controlled with the switch is dangerous and must be repaired.
 - c. **Disconnect the plug from the power source and/or the battery pack from the power tool before making any adjustments, changing accessories, or storing power tools.** Such preventive safety measures reduce the risk of starting the power tool accidentally.
 - d. **Store idle power tools out of the reach of children and do not allow persons unfamiliar with the power tool or these instructions to operate the power tool.** Power tools are dangerous in the hands of untrained users.

- e. **Maintain power tools. Check for misalignment or binding of moving parts, breakage of parts and any other condition that may affect the power tools operation. If damaged, have the power tool repaired before use.** Many accidents are caused by poorly maintained power tools.
 - f. **Keep cutting tools sharp and clean.** Properly maintained cutting tools with sharp cutting edges are less likely to bind and are easier to control.
 - g. **Use the power tool, accessories and tool bits etc. in accordance with these instructions, taking into account the working conditions and the work to be performed.** Use of the power tool for operations different from those intended could result in a hazardous situation.
- 5. Battery tool use and care**
- a. **Recharge only with the charger specified by the manufacturer.** A charger that is suitable for one type of battery pack may create a risk of fire when used with another battery pack.
 - b. **Use power tools only with specifically designated battery packs.** Use of any other battery packs may create a risk of injury and fire.
 - c. **When battery pack is not in use, keep it away from other metal objects, like paper clips, coins, keys, nails, screws, or other small metal objects, that can make a connection from one terminal to another.**
Shorting the battery terminals together may cause burns or a fire.
 - d. **Under abusive conditions, liquid may be ejected from the battery; avoid contact. If contact accidentally occurs, flush with water. If liquid contacts eyes, additionally seek medical help.** Liquid ejected from the battery may cause irritation or burns.
- 6. Service**
- a. **Have your power tool serviced by a qualified repair person using only identical replacement parts.** This will ensure that the safety of the power tool is maintained.

Additional power tool safety warnings



Warning! Additional safety warnings for drills and impact drivers

- ◆ **Wear ear protectors with impact drills.** Exposure to noise can cause hearing loss.
- ◆ **Use auxiliary handles supplied with the tool.** Loss of control can cause personal injury.
- ◆ **Hold power tool by insulated gripping surfaces when performing an operation where the fastener may contact hidden wiring.** Fasteners contacting a "live" wire may make exposed metal parts of the power tool "live" and could give the operator an electric shock.

- ◆ **Use clamps or another practical way to secure and support the workpiece to a stable platform.** Holding the work by hand or against your body leaves it unstable and may lead to loss of control.
- ◆ This tool is not intended for use by persons (including children) with reduced physical, sensory or mental capabilities, or lack of experience and knowledge, unless they have been given supervision or instruction concerning use of the appliance by a person responsible for their safety. Children should be supervised to ensure that they do not play with the appliance.
- ◆ The intended use is described in this instruction manual. The use of any accessory or attachment or performance of any operation with this tool other than those recommended in this instruction manual may present a risk of personal injury and/or damage to property.

Safety of others

- ◆ This appliance can be used by children aged from 8 years and above and persons with reduced physical, sensory or mental capabilities or lack of experience and knowledge if they have been given supervision or instruction concerning use of the appliance in a safe way and understand the hazards involved.
- ◆ Children shall not play with the appliance. Cleaning and user maintenance shall not be made by children without supervision.

Residual risks.

Additional residual risks may arise when using the tool which may not be included in the enclosed safety warnings. These risks can arise from misuse, prolonged use etc.

Even with the application of the relevant safety regulations and the implementation of safety devices, certain residual risks can not be avoided. These include:

- ◆ Injuries caused by touching any rotating/moving parts.
- ◆ Injuries caused when changing any parts, blades or accessories.
- ◆ Injuries caused by prolonged use of a tool. When using any tool for prolonged periods ensure you take regular breaks.
- ◆ Impairment of hearing.
- ◆ Health hazards caused by breathing dust developed when using your tool (example:- working with wood, especially oak, beech and MDF.)

Vibration

The declared vibration emission values stated in the technical data and the declaration of conformity have been measured in accordance with a standard test method provided by EN60745 and may be used for comparing one tool with another. The

declared vibration emission value may also be used in a preliminary assessment of exposure.

Warning! The vibration emission value during actual use of the power tool can differ from the declared value depending on the ways in which the tool is used. The vibration level may increase above the level stated.

When assessing vibration exposure to determine safety measures required by 2002/44/EC to protect persons regularly using power tools in employment, an estimation of vibration exposure should consider, the actual conditions of use and the way the tool is used, including taking account of all parts of the operating cycle such as the times when the tool is switched off and when it is running idle in addition to the trigger time.

Labels on tool

The following symbols along with the date code are shown on the tool:



Warning! To reduce the risk of injury, the user must read the instruction manual.

Additional safety instructions for batteries and chargers

Batteries

- ◆ Never attempt to open for any reason.
- ◆ Do not expose the battery to water.
- ◆ Do not store in locations where the temperature may exceed 40 °C.
- ◆ Charge only at ambient temperatures between 10 °C and 40 °C.
- ◆ Charge only using the charger provided with the tool.
- ◆ When disposing of batteries, follow the instructions given in the section "Protecting the environment".



Do not attempt to charge damaged batteries.

Chargers

- ◆ Use your Stanley Fat Max charger only to charge the battery in the tool with which it was supplied. Other batteries could burst, causing personal injury and damage.
- ◆ Never attempt to charge non-rechargeable batteries.
- ◆ Have defective cords replaced immediately.
- ◆ Do not expose the charger to water.
- ◆ Do not open the charger.
- ◆ Do not probe the charger.



The charger is intended for indoor use only.



Read the instruction manual before use.

Electrical safety



Your charger is double insulated; therefore no earth wire is required. Always check that the mains voltage corresponds to the voltage on the rating plate. Never attempt to replace the charger unit with a regular mains plug.

- ◆ If the supply cord is damaged, it must be replaced by the manufacturer or an authorised Stanley Fat Max Service Centre in order to avoid a hazard.

Features

This tool includes some or all of the following features.

1. Variable speed switch
2. Forward/reverse slider
3. Chuck
4. Chuck collar
5. Battery
6. LED work light
7. Speed selector

Fig. A

8. Charger
9. Charging indicator

Assembly

Warning! Before assembly, remove the battery from the tool.

Fitting and removing the battery (fig. B)

- ◆ To fit the battery (5), line it up with the receptacle on the tool. Slide the battery into the receptacle and push until the battery snaps into place.
- ◆ To remove the battery, push the release buttons (5a) while at the same time pulling the battery out of the receptacle.

Fitting and removing a drill bit or screwdriver bit

This tool is fitted with a keyless chuck to allow for an easy exchange of bits.

- ◆ Lock the tool by setting the forward/reverse slider (2) to the centre position.
- ◆ Grasp the chuck (3) and rotate it in the counterclockwise direction, as viewed from the chuck end.
- ◆ Insert the bit shaft into the chuck.
- ◆ Firmly tighten the chuck by rotating it in the clockwise direction as viewed from the chuck end.

Warning! Do not attempt to tighten drill bits (or any other accessory) by gripping the front part of the chuck and turning the tool on.

Damage to the chuck and personal injury may occur when changing accessories in this manner.

Use

Warning! Let the tool work at its own pace. Do not overload.

Charging the battery (fig. A)

The battery needs to be charged before first use and whenever it fails to produce sufficient power on jobs that were easily done before. The battery may become warm while charging; this is normal and does not indicate a problem.

Warning! Do not charge the battery at ambient temperatures below 10 °C or above 40 °C. Recommended charging temperature: approx. 24 °C.

Note: The charger will not charge a battery if the cell temperature is below approximately 10 °C or above 40 °C. The battery should be left in the charger and the charger will begin to charge automatically when the cell temperature warms up or cools down.

- ◆ To charge the battery (5), insert it into the charger (8). The battery will only fit into the charger in one way. Do not force. Be sure that the battery is fully seated in the charger.
- ◆ Plug in the charger and switch on at the mains.

The charging indicator (9) will flash green continuously (slowly).

The charge is complete when the charging indicator (9) lights green continuously. The charger and the battery can be left connected indefinitely with the LED illuminated. The LED will change to flashing green (charging) state as the charger occasionally tops up the battery charge. The charging indicator (9) will be lit as long as the battery is connected to the plugged-in charger.

- ◆ Charge discharged batteries within 1 week. Battery life will be greatly diminished if stored in a discharged state.

Leaving the battery in the charger

The charger and battery pack can be left connected with the LED glowing indefinitely. The charger will keep the battery pack fresh and fully charged.

Charger diagnostics

If the charger detects a weak or damaged battery, the charging indicator (9) will flash red at a fast rate. Proceed as follows:

- ◆ Re-insert the battery (5).
- ◆ If the charging indicators continues flashing red at a fast rate, use a different battery to determine if the charging process works properly.
- ◆ If the replaced battery charges correctly, the original battery is defective and should be returned to a service centre for recycling.

- ◆ If the new battery gives the same indication as the original battery, take the charger to be tested at an authorised service centre.

Note: It may take as long as 60 minutes to determine that the battery is defective. If the battery is too hot or too cold, the LED will alternately blink red, fast and slow, one flash at each speed and repeat.


Selecting the direction of rotation (fig. C)

For tightening, use forward (clockwise) rotation. For loosening, use reverse (counterclockwise) rotation.

- ◆ To select forward rotation, push the forward/reverse slider (2) to the left.
- ◆ To select reverse rotation, push the forward/reverse slider to the right.
- ◆ To lock the tool, set the forward/reverse slider into the centre position.

Selecting the torque (fig. E)

This tool is fitted with a collar to set the torque for various screwdriving and drilling applications. Large screws and hard workpiece materials require a higher torque setting than small screws and soft workpiece materials. For the definition of the symbol refer to the listing below

- ◆ For drilling in wood, metal and plastics, set the torque adjustment collar (4) to the  symbol.
- ◆ For screwdriving, set the collar to the desired setting. If you do not yet know the appropriate setting, proceed as follows.
 - ◆ Set the torque adjustment collar (4) to the lowest torque setting.
 - ◆ Tighten the first screw.
 - ◆ If the clutch ratchets before the desired result is achieved, increase the collar setting and continue tightening the screw. Repeat until you reach the correct setting. Use this setting for the remaining screws.

Speed selector (fig. D)

- ◆ For drilling in steel and for screwdriving applications, slide the speed selector (7) towards the rear of the tool (1st gear).
- ◆ For drilling in materials other than steel, slide the speed selector (7) towards the front of the tool (2nd gear).

Drilling/screwdriving

- ◆ Select forward or reverse rotation using the forward/reverse slider (2).
- ◆ To switch the tool on, press the switch (1). The tool speed depends on how far you press the switch.
- ◆ To switch the tool off, release the switch.

LED work light

The LED work light (6) is activated automatically when the trigger is depressed. The LED work light will illuminate when the trigger is partially depressed, before the unit begins running.

Hints for optimum use

Drilling

- ◆ Always apply a light pressure in a straight line with the drill bit.
- ◆ Just before the drill tip breaks through the other side of the workpiece, decrease pressure on the tool.
- ◆ Use a block of wood to back up workpieces that may splinter.
- ◆ Use spade bits when drilling large diameter holes in wood.
- ◆ Use HSS drill bits when drilling in metal.
- ◆ Use masonry bits when drilling in soft masonry.
- ◆ Use a lubricant when drilling metals other than cast iron and brass.
- ◆ Make an indentation using a centre punch at the centre of the hole to be drilled in order to improve accuracy.

Screwdriving

- ◆ Always use the correct type and size of screwdriver bit.
- ◆ If screws are difficult to tighten, try applying a small amount of washing liquid or soap as a lubricant.
- ◆ Always hold the tool and screwdriver bit in a straight line with the screw.

Maintenance

Your Stanley Fat Max tool has been designed to operate over a long period of time with a minimum of maintenance. Continuous satisfactory operation depends upon proper tool care and regular cleaning.

Your charger does not require any maintenance apart from regular cleaning.

Warning! Before performing any maintenance on the tool, remove the battery from the tool. Unplug the charger before cleaning it.

- ◆ Regularly clean the ventilation slots in your tool and charger using a soft brush or dry cloth.
- ◆ Regularly clean the motor housing using a damp cloth. Do not use any abrasive or solvent-based cleaner.
- ◆ Regularly open the chuck and tap it to remove any dust from the interior.

Protecting the environment



Separate collection. Products and batteries marked with this symbol must not be disposed of with normal household waste.

Products and batteries contain materials that can be recovered or recycled reducing the demand for raw materials. Please recycle electrical products and batteries according to local provisions. Further information is available at www.2helpU.com

Technical data

		KFMCD011
Voltage	V _{DC}	10.8
No-load speed	Min ⁻¹	0-400, 0-1500
Max. torque (PTI Rating)	Nm	26
Chuck capacity	mm	10
Max Drilling capacity Steel/Wood	mm	10/20
Weight	kg	1.0

		N472239/N472243
Input Voltage	V _{AC}	230
Output Voltage	V _{DC}	22
Current	A	1.25
Approx. charge time	min	70 (1.5AH)

		FMC086L
Voltage	V _{DC}	10.8
Capacity	Ah	1.5
Type		Li-Ion

Level of sound pressure according to EN 60745:	
Sound pressure (L _{pA})	82,0 dB(A), uncertainty (K) 3 dB(A)
Sound power (L _{WA})	93 dB(A), uncertainty (K) 3 dB(A)

Vibration total values (triax vector sum) according to EN 60745:	
Drilling into metal (a _{n, D})	1,1 m/s ² , uncertainty (K) 1,5 m/s ²
Screwdriving (a _n)	0,9 m/s ² , uncertainty (K) 1,5 m/s ²

EC declaration of conformity

MACHINERY DIRECTIVE



Cordless Drill/Screwdriver - KFMCD011

Stanley Europe declares that these products described under "technical data" are in compliance with:
2006/42/EC, EN 60745-1:2009 +A1:2010,
EN 60745-2-1:2010, EN 60745-2-2:2010

These products also comply with Directive 2014/30/EU and 2011/65/EU. For more information, please contact Stanley Europe at the following address or refer to the back of the manual.

The undersigned is responsible for compilation of the technical file and makes this declaration on behalf of Stanley Europe.



Ray Laverick
Director of Engineering
Stanley Europe, Egide Walschaertsstraat14-18,
2800 Mechelen, Belgium
16/05/2016

Garantie

Stanley Fat Max is confident of the quality of its products and offers consumers a 12 month guarantee from the date of purchase. This guarantee is in addition to and in no way prejudices your statutory rights. The guarantee is valid within the territories of the Member States of the European Union and the European Free Trade Area.

To claim on the guarantee, the claim must be in accordance with Stanley Fat Max Terms and Conditions and you will need to submit proof of purchase to the seller or an authorised repair agent. Terms and conditions of the Stanley Fat Max 1 year guarantee and the location of your nearest authorised repair agent can be obtained on the Internet at www.2helpU.com, or by contacting your local Stanley Fat Max office at the address indicated in this manual.

Please visit our website www.blackanddecker.co.uk to register your new Stanley Fat Max product and receive updates on new products and special offers.

Verwendungszweck

Ihr Stanley Fat Max KFMCD011 Akku-Bohrschrauber ist für Schraub- und Bohrarbeiten in Holz, Metall und Kunststoff ausgelegt. Dieses Gerät ist zum gewerblichen und privaten Einsatz vorgesehen.

Sicherheitshinweise

Allgemeine Sicherheitswarnungen für das Gerät



Warnung! Lesen Sie alle Sicherheitswarnhinweise und alle Anweisungen. Die Nichteinhaltung der folgenden Warnungen und Anweisungen kann einen elektrischen Schlag, Brand und/oder schwere Verletzungen verursachen.

Bewahren Sie alle Sicherheitswarnungen und Anweisungen gut auf. Der nachfolgend verwendete Begriff "Gerät" bezieht sich auf netzbetriebene Geräte (mit Netzkabel) und auf akkubetriebene Geräte (ohne Netzkabel).

1. Sicherheit im Arbeitsbereich

- a. **Halten Sie Ihren Arbeitsbereich sauber und gut ausgeleuchtet.** Unaufgeräumte oder dunkle Bereiche begünstigen Unfälle.
- b. **Betreiben Sie das Gerät nicht in Umgebungen, in denen Explosionsgefahr z. B. aufgrund von brennbaren Flüssigkeiten, Gasen oder Staub besteht.** Geräte erzeugen Funken, die den Staub oder die Dämpfe entzünden können.
- c. **Halten Sie Kinder und andere Personen während der Benutzung eines Geräts fern.** Bei Ablenkung können Sie die Kontrolle verlieren.

2. Elektrische Sicherheit

- a. **Der Netzstecker des Geräts muss in die Steckdose passen. Ändern Sie niemals den Stecker in irgendeiner Form. Verwenden Sie keinerlei Adapterstecker an geerdeten Elektrogeräten.** Unveränderte Stecker und passende Steckdosen mindern die Gefahr eines elektrischen Schlages.
- b. **Vermeiden Sie Körperkontakt mit geerdeten Oberflächen von Rohren, Heizungen, Herden und Kühlschränken.** Es besteht eine erhöhte Gefahr für einen elektrischen Schlag, wenn Ihr Körper geerdet ist.
- c. **Halten Sie Geräte von Regen und Nässe fern.** Das Eindringen von Wasser in ein Gerät erhöht das Risiko eines elektrischen Schlags.
- d. **Verwenden Sie das Kabel ordnungsgemäß. Verwenden Sie es niemals zum Tragen. Trennen Sie das Gerät nicht durch Ziehen am Kabel vom Netz. Halten Sie das Kabel fern von Hitze, Öl, scharfen Kanten oder beweglichen Teilen.**

Beschädigte oder verhedderte Kabel erhöhen die Gefahr eines elektrischen Schlags.

- e. **Verwenden Sie nur für den Außenbereich zugelassene Verlängerungskabel, wenn Sie mit dem Gerät im Freien arbeiten.** Die Verwendung eines für den Außenbereich geeigneten Verlängerungskabels verringert das Risiko eines elektrischen Schlags.
- f. **Wenn das Gerät in einer feuchten Umgebung verwendet werden muss, schließen Sie es unbedingt an eine Steckdose mit Fehlerstromschutzschalter (FI-Schalter) an.** Ein Fehlerstromschutzschalter verringert das Risiko eines elektrischen Schlags.

3. Sicherheit von Personen

- a. **Seien Sie aufmerksam, achten Sie darauf, was Sie tun, und gehen Sie sachgerecht mit einem Gerät um. Benutzen Sie kein Gerät, wenn Sie müde sind oder unter dem Einfluss von Drogen, Alkohol oder Medikamenten stehen.** Ein Moment der Unachtsamkeit beim Betrieb eines Geräts kann zu schweren Verletzungen führen.
- b. **Verwenden Sie eine geeignete Schutzausrüstung. Tragen Sie immer einen Augenschutz.** Das Tragen persönlicher Schutzausrüstung, wie Staubmaske, rutschfeste Sicherheitsschuhe, Schutzhelm oder Gehörschutz, je nach Art und Einsatz des Geräts, verringert das Risiko von Verletzungen.
- c. **Vermeiden Sie eine unbeabsichtigte Inbetriebnahme. Vergewissern Sie sich, dass das Gerät ausgeschaltet ist, bevor Sie es an eine Steckdose oder einen Akku anschließen, es hochheben oder tragen.** Wenn Sie beim Tragen des Geräts den Finger am Schalter haben oder das Gerät eingeschaltet an die Stromversorgung anschließen, kann dies zu Unfällen führen.
- d. **Entfernen Sie Einstell- oder Schraubenschlüssel, bevor Sie das Gerät einschalten.** Werkzeuge oder Schlüssel, die an rotierenden Teilen des Elektrogerätes angebracht sind, können zu Verletzungen führen.
- e. **Beugen Sie sich nicht zu weit nach vorne. Sorgen Sie für einen sicheren Stand und halten Sie jederzeit das Gleichgewicht.** Dadurch können Sie das Gerät in unerwarteten Situationen besser kontrollieren.
- f. **Tragen Sie geeignete Kleidung. Tragen Sie keine weite Kleidung und keinen Schmuck. Halten Sie Ihre Haare, Kleidung und Handschuhe von beweglichen Teilen fern.** Lose sitzende Kleidung, Schmuck oder lange Haare können sich in den beweglichen Teilen verfangen.
- g. **Falls Vorrichtungen zum Absaugen oder Auffangen von Staub vorhanden sind, vergewissern Sie sich, dass diese angeschlossen sind und richtig verwendet werden.** Das Verwenden einer Staubauffangvorrichtung verringert Gefährdungen durch Staub.

4. Gebrauch und Pflege von Geräten

- a. **Überlasten Sie das Gerät nicht. Verwenden Sie das für Ihre Arbeit passende Gerät.** Das richtige Gerät wird die Aufgabe besser und sicherer erledigen, wenn es bestimmungsgemäß verwendet wird.
 - b. **Verwenden Sie das Gerät nicht, wenn der Ein-/Ausschalter nicht funktioniert.** Ein Gerät, das sich nicht mehr ein- oder ausschalten lässt, ist gefährlich und muss repariert werden.
 - c. **Ziehen Sie den Stecker aus der Steckdose, oder trennen Sie das Gerät vom Akku, bevor Sie Einstellungen vornehmen, Zubehörteile wechseln oder das Gerät lagern.** Diese Vorbeugemaßnahmen mindern die Gefahr, dass das Elektrogerät unbeabsichtigt startet.
 - d. **Bewahren Sie unbenutzte Geräte außerhalb der Reichweite von Kindern auf. Lassen Sie Geräte nicht von Personen benutzen, die damit nicht vertraut sind oder diese Anweisungen nicht gelesen haben.** Geräte sind in den Händen nicht geschulter Personen gefährlich.
 - e. **Halten Sie das Gerät in einem einwandfreien Zustand. Kontrollieren Sie, ob bewegliche Teile falsch ausgerichtet sind oder klemmen und ob Teile gebrochen oder so beschädigt sind, dass die Funktion des Geräts beeinträchtigt ist. Bei Beschädigungen lassen Sie das Gerät reparieren, bevor Sie es verwenden.** Viele Unfälle entstehen wegen mangelnder Wartung der Geräte.
 - f. **Halten Sie Schneidgeräte scharf und sauber.** Richtig gewartete Schneidwerkzeuge mit scharfen Klingen blockieren seltener und sind leichter unter Kontrolle zu halten.
 - g. **Verwenden Sie Geräte, Zubehör, Einsätze usw. entsprechend diesen Anweisungen und berücksichtigen Sie dabei die Arbeitsbedingungen und die auszuführende Arbeit.** Der Gebrauch von Geräten für andere als die vorgesehenen Zwecke kann zu gefährlichen Situationen führen.
- ### 5. Gebrauch und Pflege von Akkuwerkzeugen
- a. **Laden Sie den Akku nur mit dem vom Hersteller vorgesehenen Ladegerät auf.** Für ein Ladegerät, das nur für eine bestimmte Akkuartart geeignet ist, besteht Brandgefahr, wenn es mit anderen Akkus verwendet wird.
 - b. **Verwenden Sie nur die für das jeweilige Gerät vorgesehenen Akkus.** Die Verwendung anderer Akkus kann zu Verletzungen oder Bränden führen.
 - c. **Bewahren Sie den Akku bei Nichtbenutzung nicht in der Nähe metallischer Objekte wie Büroklammern, Münzen, Schlüsseln, Nägeln oder Schrauben auf, da diese eine Verbindung zwischen beiden Polen des Akkus herstellen können.**

Durch den dadurch entstehenden Kurzschluss kann der Akku in Brand geraten.

- d. **Bei falscher Anwendung kann Flüssigkeit aus dem Akku austreten. Vermeiden Sie den Kontakt damit. Bei unbeabsichtigtem Kontakt mit Wasser abspülen. Gelangt die Flüssigkeit in die Augen, ziehen Sie außerdem ärztliche Hilfe hinzu.** Austretende Akkuflüssigkeit kann zu Hautreizungen oder Verbrennungen führen.

6. Service

- a. **Lassen Sie das Gerät nur von qualifiziertem Fachpersonal und nur mit Originalersatzteilen reparieren.** Damit wird sichergestellt, dass die Sicherheit des Geräts erhalten bleibt.

Zusätzliche Sicherheitswarnungen für das Gerät



Warnung! Zusätzliche Sicherheitswarnungen für Bohrschrauber und Schlagbohrer

- ◆ **Tragen Sie bei der Arbeit mit Schlagschraubern einen Gehörschutz.** Lärm kann Gehörschäden verursachen.
- ◆ **Verwenden Sie die mitgelieferten Zusatzgriffe.** Der Verlust der Kontrolle kann Verletzungen verursachen.
- ◆ **Halten Sie das Gerät an den isolierten Griffflächen fest, wenn Sie Arbeiten ausführen, bei denen verdeckte Kabel beschädigt werden könnten.** Der Kontakt mit stromführenden Leitungen kann auch offen liegende Metallteile am Gerät unter Strom setzen und zu einem Stromschlag führen.
- ◆ **Sichern Sie das Werkstück zum Beispiel mit Einspannvorrichtungen auf einer stabilen Plattform.** Das Werkstück ist instabil, wenn es mit der Hand oder dem Körper abgestützt wird, was zum Verlust der Kontrolle führen kann.
- ◆ Dieses Gerät darf nicht von Personen (einschließlich Kindern) mit eingeschränkten körperlichen, sensorischen oder geistigen Fähigkeiten oder mangelnder Erfahrung und Wissen in Bezug auf dessen Gebrauch bedient werden, es sei denn, sie werden bei der Verwendung des Geräts von einer erfahrenen Person beaufsichtigt oder angeleitet. Kinder müssen beaufsichtigt werden, um sicherzustellen, dass sie nicht mit dem Gerät spielen.
- ◆ Die bestimmungsgemäße Verwendung ist in dieser Betriebsanleitung beschrieben. Die Verwendung von Zubehör- oder Anbauteilen, die nicht in dieser Anleitung empfohlen werden, sowie die Bedienung des Geräts in Abweichung von den in dieser Anleitung beschriebenen Verfahren können zu Verletzungen und/oder Sachschäden führen.

Sicherheit anderer Personen

- ◆ Dieses Gerät darf von Kindern ab 8 Jahren und Personen mit eingeschränkten körperlichen, sensorischen oder geistigen Fähigkeiten sowie mangelnder Erfahrung und Wissen in Bezug auf dessen Gebrauch bedient werden, wenn sie bei der Verwendung des Geräts beaufsichtigt oder angeleitet werden und die möglichen Gefahren verstehen.
- ◆ Kinder dürfen nicht mit dem Gerät spielen. Reinigung und Wartungsarbeiten dürfen von Kindern nur unter Aufsicht durchgeführt werden.

Restrisiken.

Beim Gebrauch dieses Geräts verbleiben zusätzliche Restrisiken, die möglicherweise nicht in den Sicherheitswarnungen genannt werden. Diese Risiken bestehen beispielsweise bei Missbrauch oder längerem Gebrauch.

Auch bei der Einhaltung der entsprechenden Sicherheitsvorschriften und der Verwendung aller Sicherheitsgeräte bestehen weiterhin bestimmte Restrisiken. Diese sind:

- ◆ Verletzungen, die durch das Berühren von sich drehenden/bewegenden Teilen verursacht werden.
- ◆ Verletzungen, die durch das Austauschen von Teilen, Messern oder Zubehör verursacht werden.
- ◆ Verletzungen, die durch längeren Gebrauch eines Geräts verursacht werden. Legen Sie bei längerem Gebrauch regelmäßige Pausen ein.
- ◆ Beeinträchtigung des Gehörs.
- ◆ Gesundheitsrisiken durch das Einatmen von Staub beim Verwenden des Geräts (beispielsweise bei Holzarbeiten, insbesondere Eiche, Buche und MDF.)

Vibration

Die in den Abschnitten "Technische Daten" und "EU-Konformitätserklärung" angegebenen Werte für die Vibrationsemission wurden mit einer Standard-Prüfmethode nach EN60745 ermittelt und können zum Vergleich verschiedener Geräte herangezogen werden. Außerdem kann mit Hilfe dieses Werts die Belastung bei Verwendung des Geräts schon im Voraus eingeschätzt werden.

Warnung! Die bei Verwendung des Geräts auftretende Vibrationsemission hängt von der Art des Gerätegebrauchs ab und kann dementsprechend von dem angegebenen Wert abweichen. Gegebenenfalls kann die Vibration über dem angegebenen Wert liegen.

Für die Ermittlung der Vibrationsbelastung müssen die tatsächlichen Einsatzbedingungen und Verwendungen des Geräts während des gesamten Arbeitsgangs berücksichtigt werden, einschließlich der Zeiten, wenn das Gerät nicht verwendet oder im Leerlauf betrieben wird. Diese Werte werden benötigt, um die gemäß 2002/44/EG erforderlichen Sicherheitsmaßnahmen zum Schutz von Personen festlegen zu können.

Etiketten am Werkzeug

Folgende Symbole sowie der Datumcode befinden sich auf dem Werkzeug:



Warnung! Lesen Sie vor Gebrauch die Anleitung. Andernfalls besteht Verletzungsgefahr.

Zusätzliche Sicherheitshinweise für Akkus und Ladegeräte

Akkus

- ◆ Keinesfalls versuchen, den Akku zu öffnen.
- ◆ Achten Sie darauf, dass der Akku nicht mit Wasser in Berührung kommt.
- ◆ Nicht bei Temperaturen über 40 °C lagern.
- ◆ Laden Sie den Akku ausschließlich bei Umgebungstemperaturen zwischen 10 °C und 40 °C.
- ◆ Verwenden Sie ausschließlich das mitgelieferte Ladegerät.
- ◆ Beachten Sie bei der Entsorgung von Batterien und Akkus die Hinweise im Abschnitt "Umweltschutz".



Versuchen Sie nie, beschädigte Akkus aufzuladen.

Ladegeräte

- ◆ Verwenden Sie das Stanley Fat Max Ladegerät nur für den Akku des Werkzeugs, mit dem es geliefert wurde. Andere Akkus können platzen und Sachschäden oder Verletzungen verursachen.
- ◆ Versuchen Sie keinesfalls, nicht aufladbare Batterien zu laden.
- ◆ Lassen Sie beschädigte Kabel sofort austauschen.
- ◆ Achten Sie darauf, dass das Ladegerät nicht mit Wasser in Berührung kommt.
- ◆ Versuchen Sie nicht, das Ladegerät zu öffnen.
- ◆ Nehmen Sie am Ladegerät keine Veränderungen vor.



Das Ladegerät darf nur im Innenbereich verwendet werden.



Vor Gebrauch die Anleitung lesen.

Elektrische Sicherheit



Das Ladegerät ist schutzisoliert, daher ist keine Erdleitung erforderlich. Stellen Sie sicher, dass die Netzspannung der auf dem Typenschild des Geräts angegebenen Spannung entspricht. Ersetzen Sie das Ladegerät keinesfalls durch ein normales Netzkabel.

- ◆ Ist das Netzkabel beschädigt, muss es durch den Hersteller oder eine Stanley Fat Max Vertragswerkstatt ausgetauscht werden, um eine mögliche Gefährdung zu vermeiden.

Merkmale

Dieses Gerät verfügt über einige oder alle der folgenden Merkmale:

1. Drehzahl-Regelschalter
2. Vor-/Zurück-Wahlschalter
3. Spannfutter
4. Spannfutter
5. Akku
6. LED-Arbeitsleuchte
7. Drehzahlwähler

Abb. A

8. Ladegerät
9. Ladeanzeige

Montage

Warnung! Entfernen Sie vor der Montage den Akku aus dem Gerät.

Einsetzen und Entnehmen des Akkus (Abb. B)

- ◆ Um den Akku (5) einzusetzen, richten Sie ihn an der Aufnahme am Gerät aus. Schieben Sie den Akku in die Aufnahme, bis er in der richtigen Position einrastet.
- ◆ Um den Akku zu entfernen, drücken Sie die Entriegelungstasten (5a), und ziehen Sie gleichzeitig den Akku aus der Aufnahme.

Einsetzen und Entfernen eines Bohr- oder Schraubendrehereinsatzes

Das Gerät verfügt über ein Schnellspannbohrfutter zum einfachen Wechseln der Einsätze.

- ◆ Verriegeln Sie das Gerät, indem Sie den Vor-/Zurückwahlschalter (2) in die mittlere Position bewegen.
- ◆ Umfassen Sie das Bohrfutter (3) und drehen Sie es gegen den Uhrzeigersinn (vom Ende des Bohrfutters aus gesehen).
- ◆ Setzen Sie den Einsatz in das Bohrfutter ein.
- ◆ Ziehen Sie das Bohrfutter fest an, indem Sie es im Uhrzeigersinn drehen (vom Ende des Bohrfutters aus gesehen).

Warnung! Versuchen Sie niemals, Bohreinsätze oder andere Zubehörteile festzuziehen, indem Sie den vorderen Teil des Bohrfutters festhalten und das Gerät einschalten. Dabei kann das Bohrfutter beschädigt werden, und es kann zu schweren Verletzungen kommen.

Verwendung

Warnung! Beschleunigen Sie den Arbeitsvorgang nicht mit Gewalt. Vermeiden Sie eine Überlastung.

Laden des Akkus (Abb. A)

Der Akku muss vor der erstmaligen Benutzung sowie immer dann aufgeladen werden, wenn das Gerät nicht mehr mit voller Leistung arbeitet. Der Akku kann sich während des Aufladens erwärmen. Das ist normal und deutet nicht auf ein Problem hin.

Warnung! Laden Sie den Akku nicht, wenn die Umgebungstemperatur unter 10 °C oder über 40 °C liegt. Empfohlene Ladetemperatur: ca. 24 °C.

Hinweis: Ein Akku, bei dem die Temperatur der Akkuzellen unter ca. 10 °C oder über 40 °C liegt, wird vom Ladegerät nicht geladen.

Lassen Sie in diesem Fall den Akku im Ladegerät. Das Ladegerät beginnt automatisch mit dem Ladevorgang, sobald sich die Zellen erwärmt bzw. abgekühlt haben.

- ◆ Setzen Sie den Akku (5) in das Ladegerät (8) ein, um diesen zu laden. Der Akku kann nur in einer Richtung in das Ladegerät eingesetzt werden. Erzwingen Sie den Arbeitsvorgang nicht. Vergewissern Sie sich, dass der Akku ordnungsgemäß im Ladegerät steckt.
- ◆ Schließen Sie das Ladegerät an eine Steckdose an, und schalten Sie die Stromversorgung ein.

Die Ladeanzeige (9) blinkt durchgängig grün (langsam). Der Ladevorgang ist abgeschlossen, wenn die Ladeanzeige (9) dauerhaft grün leuchtet. Sie können den Akku auf unbestimmte Zeit im Ladegerät belassen. In diesem Fall leuchtet die LED-Anzeige. Die LED-Anzeige beginnt erneut, grün zu blinken (Ladezustand), wenn der Akku gelegentlich nachgeladen wird. Solange der Akku mit dem angeschlossenen Ladegerät verbunden ist, leuchtet die Ladeanzeige (9).

- ◆ Ein entladener Akku sollte innerhalb einer Woche wieder aufgeladen werden. Die Lebensdauer des Akkus wird erheblich reduziert, wenn dieser in entladener Zustand aufbewahrt wird.

Belassen des Akkus im Ladegerät

Sie können den Akku auch im Ladegerät belassen. In diesem Fall leuchtet die LED-Anzeige dauerhaft. Das Ladegerät hält den Akku in einem vollständig geladenen Zustand.

Diagnose des Ladegeräts

Wenn das Ladegerät einen schwachen oder beschädigten Akku feststellt, blinkt die Ladeanzeige (9) in schneller Folge rot. Gehen Sie folgendermaßen vor:

- ◆ Setzen Sie den Akku (5) erneut ein.
- ◆ Falls die Ladeanzeigen weiterhin in schneller Folge rot

aufblinken, verwenden Sie einen anderen Akku, um herauszufinden, ob der Ladevorgang ordnungsgemäß ausgeführt wird.

- ◆ Wenn der ersetzte Akku ordnungsgemäß geladen wird, ist der ursprüngliche Akku defekt. Geben Sie diesen in einer Vertragswerkstatt ab, damit er recycelt werden kann.
- ◆ Lassen Sie das Ladegerät von einer autorisierten Vertragswerkstatt überprüfen, wenn bei dem neuen Akku dieselbe Anzeige erscheint wie bei dem ursprünglichen Akku.

Hinweis: Es kann bis zu 60 Minuten dauern, bis sich herausstellt, ob der Akku tatsächlich defekt ist. Falls der Akku zu warm oder zu kalt sein sollte, blinkt die LED-Anzeige abwechselnd langsam und schnell rot auf. Die Anzeige blinkt hierbei einmal langsam, einmal schnell. Danach wiederholt sich der Vorgang.

Auswählen der Drehrichtung (Abb. C)

Verwenden Sie zum Festziehen von Verbindungselementen die Vorwärtsdrehung (im Uhrzeigersinn). Verwenden Sie zum Lösen von Verbindungselementen die Rückwärtsdrehung (gegen den Uhrzeigersinn).

- ◆ Drücken Sie den Vor-/Zurückwahlschalter (2) nach links, um die Vorwärtsdrehung einzustellen.
- ◆ Drücken Sie den Vor-/Zurückwahlschalter nach rechts, um die Rückwärtsdrehung einzustellen.
- ◆ Bewegen Sie den Vor-/Zurückwahlschalter in die mittlere Stellung, um das Gerät zu verriegeln.

Auswählen des Drehmoments (Abb. E)

Dieses Gerät ist mit einem Einstellring zum Festlegen des Drehmoments für unterschiedliche Schraub- und Bohrarbeiten ausgestattet. Für große Schrauben und härtere Werkstücke muss ein größeres Drehmoment eingestellt werden als für kleine Schrauben und weiche Werkstücke. Die Definition der Symbole finden Sie in der folgenden Liste.

- ◆ Stellen Sie die Drehmomentvorwahl (4) zum Bohren in Holz, Metall und Kunststoff auf das Symbol b ein.
- ◆ Stellen Sie für Schraubarbeiten an der Drehmomentvorwahl die gewünschte Position ein. Sollten Ihnen die jeweils erforderlichen Einstellungen noch nicht bekannt sein, gehen Sie wie folgt vor.
 - ◆ Stellen Sie die Drehmomentvorwahl (4) auf die niedrigste Drehmomenteinstellung ein.
 - ◆ Ziehen Sie mit dieser Einstellung die erste Schraube fest.
 - ◆ Wenn die Einstellung nicht zum gewünschten Ergebnis führt, erhöhen Sie die Drehmomenteinstellung und fahren Sie fort. Wiederholen Sie diesen Vorgang so lange, bis Sie die richtige Einstellung gefunden haben. Verwenden Sie diese Einstellung auch für die übrigen Schrauben.

Geschwindigkeitsregler (Abb. D)

- ◆ Bewegen Sie den Geschwindigkeitsregler (7) zum Bohren von Stahl sowie für Schraubenwendungen in Richtung der Geräterückseite (erster Gang).
- ◆ Bewegen Sie den Geschwindigkeitsregler (7) zum Bohren von anderen Materialien in Richtung der Gerätevorderseite (zweiter Gang).

Bohren/Schrauben

- ◆ Wählen Sie mithilfe des Vor-/Zurückwahlschalters (2) die Vorwärts- bzw. Rückwärtsdrehung aus.
- ◆ Drücken Sie zum Einschalten des Geräts den Schalter (1). Die Leistung des Geräts ist davon abhängig, wie tief Sie den Schalter hineindrücken.
- ◆ Lassen Sie zum Ausschalten des Geräts den Schalter los.

LED-Arbeitsleuchte

Die LED-Arbeitsleuchte (6) wird beim Drücken des Auslösers automatisch aktiviert. Die LED-Arbeitsleuchte leuchtet, sobald der Auslöser teilweise durchgedrückt wird, bevor das Gerät anläuft.

Hinweise für optimale Arbeitsergebnisse

Bohren

- ◆ Üben Sie stets leichten Druck in gerader Linie mit dem Bohreinsatz aus.
- ◆ Verringern Sie den Druck kurz bevor der Bohreinsatz das Werkstück durchbricht.
- ◆ Verwenden Sie einen Holzklötzchen als Unterlage unter Werkstücken, die möglicherweise splintern.
- ◆ Verwenden Sie Spitzbohrer, wenn Sie Löcher mit großem Durchmesser in Holz bohren.
- ◆ Verwenden Sie HSS-Bohreinsätze zum Bohren in Metall.
- ◆ Verwenden Sie zum Bohren in Mauerwerk einen geeigneten Bohreinsatz.
- ◆ Verwenden Sie ein Schmiermittel, wenn Sie in Metall bohren (ausgenommen Gusseisen und Messing).
- ◆ Erzeugen Sie mithilfe eines Körners eine Vertiefung in der Mitte des zu bohrenden Lochs, um die Genauigkeit der Bohrung zu erhöhen.

Schraubarbeiten

- ◆ Verwenden Sie stets Schraubendrehereinsätze der richtigen Art und Größe.
- ◆ Sollten beim Festziehen von Schrauben Schwierigkeiten auftreten, verwenden Sie etwas Spülmittel oder Seife als Schmiermittel.
- ◆ Halten Sie das Gerät und den Schraubendrehereinsatz stets in gerader Linie zur Schraube.

Wartung

Ihr Stanley Fat Max Gerät wurde im Hinblick auf eine lange Lebensdauer und einen möglichst geringen Wartungsaufwand entwickelt. Ein kontinuierlicher, zufriedenstellender Betrieb hängt von der richtigen Pflege des Gerätes und seiner regelmäßigen Reinigung ab.

Das Ladegerät benötigt keine Wartung, es sollte jedoch regelmäßig gereinigt werden.

Warnung! Entfernen Sie vor jeglichen Wartungsarbeiten am Gerät den Akku aus dem Gerät. Trennen Sie das Ladegerät von der Stromversorgung, bevor Sie es reinigen.

- ◆ Reinigen Sie regelmäßig die Lüftungsschlitze des Geräts und des Ladegeräts mit einer weichen Bürste oder einem trockenen Tuch.
- ◆ Reinigen Sie das Motorgehäuse regelmäßig mit einem feuchten Tuch. Verwenden Sie keine scheuernden Reinigungsmittel oder Reinigungsmittel auf Lösungsmittelbasis.
- ◆ Öffnen Sie regelmäßig das Spannfutter und entfernen Sie durch Klopfen Staub aus dem Inneren des Geräts.

Umweltschutz



Getrennte Entsorgung. Produkte und Batterien, die mit diesem Symbol gekennzeichnet sind, dürfen nicht im normalen Hausmüll entsorgt werden.

Produkte und Akkus enthalten Materialien, die wiederverwertet werden können, um den Bedarf an Rohstoffen zu verringern. Bitte recyceln Sie Elektroprodukte und Batterien gemäß den lokalen Bestimmungen. Weitere Informationen finden Sie auf www.2helpU.com

Technische Daten

		KFMC011
Spannung	V _{DC}	10,8
Leerlaufdrehzahl	Min ⁻¹	0-400, 0-1500
Max. Drehmoment (PTI-Nennwert)	Nm	26
Bohrfutterspannweite	mm	10
Maximale Bohrtiefe Stahl/Holz	mm	10/20
Gewicht	kg	1,0

Ladegerät		N472239/N472243
Eingangsspannung	V _{AC}	230
Ausgangsspannung	V _{DC}	22
Stromstärke	A	1,25
Ungefähre Ladezeit	Min.	70 (1,5Ah)

Akku		FMC086L
Spannung	V_{DC}	10,8
Kapazität	Ah	1,5
Typ		Li-Ionen

Schalldruckpegel gemäß EN 60745:		
Schalldruck (L_{pA})	82,0 dB(A), Unsicherheitsfaktor (K) 3 dB(A)	
Schalleistung (L_{WA})	93 dB(A), Unsicherheitsfaktor (K) 3 dB(A)	

Gesamtvibration (Triax-Vektorsumme) gemäß EN 60745:		
Metallbohren ($a_{h,c}$)	$1,1 \text{ m/s}^2$, Unsicherheitsfaktor (K) $1,5 \text{ m/s}^2$	
Schrauben ($a_{s,c}$)	$0,9 \text{ m/s}^2$, Unsicherheitsfaktor (K) $1,5 \text{ m/s}^2$	

EU-Konformitätserklärung MASCHINENRICHTLINIE



Akku-Bohrschrauber - KFMCD011

Stanley Europe erklärt, dass diese unter "Technische Daten" beschriebenen Geräte übereinstimmen mit:
2006/42/EC, EN 60745-1:2009 +A1:2010,
EN 60745-2-1:2010, EN 60745-2-2:2010

Diese Produkte entsprechen außerdem den Richtlinien 2014/30/EU und 2011/65/EU. Weitere Informationen erhalten Sie von Stanley Europe unter der folgenden Adresse. Diese befindet sich auch auf der Rückseite dieser Anleitung.

Der Unterzeichnete ist verantwortlich für die Zusammenstellung der technischen Daten und gibt diese Erklärung im Namen von Stanley Europe ab.

Ray Laverick

Director of Engineering
Stanley Europe, Egide Walschaertsstraat 14-18,
2800 Mechelen, Belgien
16.05.2016

Garantie

Stanley Fat Max vertraut auf die Qualität der eigenen Geräte und bietet dem Käufer eine außergewöhnliche Garantie von 12 Monaten ab Kaufdatum. Diese Garantie versteht sich unbeschadet der gesetzlichen Gewährleistungsansprüche und schränkt diese keinesfalls ein. Diese Garantie gilt innerhalb der Staatsgebiete der Mitgliedstaaten der Europäischen Union und der Europäischen Freihandelszone.

Zur Inanspruchnahme dieser Garantie muss sie den allgemeinen Geschäftsbedingungen von Stanley Fat Max entsprechen und dem Verkäufer bzw. der Vertragswerkstatt ist ein Kaufnachweis vorzulegen. Die Bedingungen für die 1-jährige Garantie von Stanley Fat Max und den Standort Ihrer nächstgelegenen Vertragswerkstatt finden Sie im Internet unter www.2helpU.com oder indem Sie sich an die lokale Stanley Fat Max-Niederlassung wenden, deren Adresse Sie in dieser Anleitung finden.

Ihr neues Stanley Fat Max-Produkt können Sie auf unserer Website unter www.blackanddecker.de registrieren. Dort erhalten Sie auch Informationen über neue Produkte und Sonderangebote.

Utilisation prévue

Votre perceuse/visseuse Stanley Fat Max KFMCD011 a été conçue pour visser et percer le bois, le métal et le plastique. Cet outil a été conçu pour les professionnels et les particuliers.

Consignes de sécurité

Consignes de sécurité concernant les outils électriques



Avertissement ! Lisez tous les avertissements et toutes les consignes de sécurité. Le non-respect des avertissements et des instructions listés ci-dessous peut entraîner des chocs électriques, des incendies et/ou de graves blessures.

Conservez tous les avertissements et toutes les instructions afin de pouvoir vous y référer dans le futur. Le terme "outil électrique" mentionné dans tous les avertissements listés ci-dessous fait référence à vos outils électriques branchés sur secteur (avec câble) ou fonctionnant sur pile ou batterie (sans fil).

1. Sécurité de la zone de travail

- a. **Maintenez la zone de travail propre et bien éclairée.**
Les zones sombres ou encombrées sont propices aux accidents.
- b. **N'utilisez pas d'outils électriques dans un environnement présentant des risques d'explosion ou en présence de liquides, gaz ou poussières inflammables.** Les outils électriques créent des étincelles qui peuvent enflammer les poussières et les fumées.
- c. **Maintenez les enfants et autres personnes éloignés lorsque les outils électriques sont en marche.** Toute distraction peut vous faire perdre le contrôle de l'outil.

2. Sécurité électrique

- a. **La prise des outils électriques doit correspondre à la prise de courant murale. Ne modifiez la prise d'aucune sorte. N'utilisez aucun adaptateur avec des outils électriques reliés à la terre.** L'utilisation de prises d'origine et de prises murales appropriées permet de réduire le risque de choc électrique.
- b. **Évitez le contact physique avec des surfaces reliées à la terre comme des tuyaux, des radiateurs, des fours et des réfrigérateurs par exemple.** Le risque de choc électrique augmente lorsque le corps est relié à la terre.
- c. **N'exposez pas les outils électriques à la pluie, ni à l'humidité.** Le risque de choc électrique augmente si de l'eau pénètre dans un outil électrique.
- d. **Ne tirez pas sur le cordon d'alimentation. N'utilisez jamais le cordon pour transporter, tirer ou débrancher**

l'outil électrique.

Maintenez le cordon éloigné de la chaleur, des substances grasses, des bords tranchants ou des pièces mobiles. Les cordons endommagés ou emmêlés augmentent le risque de choc électrique.

- e. **Si vous utilisez un outil électrique à l'extérieur, utilisez une rallonge homologuée pour les travaux extérieurs.** L'utilisation d'une rallonge électrique homologuée pour les travaux en extérieur réduit le risque de choc électrique.
 - f. **Si l'utilisation d'un outil électrique dans un endroit humide est inévitable, utilisez une alimentation électrique protégée par un disjoncteur différentiel.** L'utilisation d'un disjoncteur différentiel réduit le risque de choc électrique.
- #### 3. Sécurité personnelle
- a. **Restez vigilant, surveillez ce que vous faites et faites preuve de bon sens lorsque vous utilisez un outil électrique. N'utilisez pas d'outils électriques si vous êtes fatigué ou sous l'influence de drogue, d'alcool ou de médicaments.** Tout moment d'inattention pendant l'utilisation d'un outil électrique peut engendrer de graves blessures.
 - b. **Portez des équipements de protection individuelle. Portez toujours une protection oculaire.** Les équipements de protection comme les masques à poussière, les chaussures de sécurité antidérapantes, les casques ou les protections auditives utilisés à bon escient réduisent le risque de blessures.
 - c. **Empêchez tout démarrage par inadvertance. Assurez-vous que l'outil est en position OFF (Arrêt) avant de raccorder l'outil à l'alimentation électrique et/ou au bloc-batterie ou avant de ramasser ou de transporter l'outil.** Le fait de transporter les outils électriques le doigt sur l'interrupteur ou d'alimenter les outils électriques dont l'interrupteur est déjà en position de marche augmente les accidents.
 - d. **Retirez toutes les clés ou pinces de réglage avant de mettre l'outil en marche.** Une clé ou une pince restée fixée à la partie rotative de l'outil électrique peut engendrer des blessures.
 - e. **Ne présumez pas de vos forces. Gardez les pieds bien ancrés au sol et conservez votre équilibre en permanence.** Cela permet de mieux maîtriser l'outil électrique en cas de situations imprévues.
 - f. **Portez des vêtements appropriés. Ne portez aucun vêtement ample ou bijou. Gardez vos cheveux, vos vêtements et vos gants éloignés des pièces mobiles.** Les vêtements amples, les bijoux ou les cheveux longs peuvent être happés par les pièces mobiles.
 - g. **Si des dispositifs pour l'extraction des poussières ou des installations pour la récupération sont présents, assurez-vous qu'ils sont correctement raccordés et**

utilisés.

L'utilisation de dispositifs récupérateurs de poussières réduit les risques liés aux poussières.

4. Utilisation et entretien des outils électriques

- a. **Ne forcez pas sur l'outil électrique. Utilisez le bon outil adapté pour votre intervention.** Un outil adapté fonctionne mieux, de façon plus sûre et à la cadence pour laquelle il a été conçu.
- b. **N'utilisez pas l'outil électrique si le bouton Marche/ Arrêt est défectueux.** Tout appareil électrique qui ne peut plus être commandé par son interrupteur est dangereux et doit être réparé.
- c. **Débranchez la prise du secteur et/ou le bloc-batterie de l'outil électrique avant d'effectuer tout réglage, de changer un accessoire ou de ranger l'outil électrique.** Ces mesures de sécurité préventives réduisent le risque de démarrage accidentel de l'outil électrique.
- d. **Rangez les outils électriques non utilisés hors de portée des enfants et ne laissez aucune personne ne connaissant pas ces outils ou leurs instructions d'utilisation les faire fonctionner.** Les outils électriques peuvent être dangereux entre des mains inexpérimentées.
- e. **Entretenez vos outils électriques. Vérifiez que les pièces mobiles sont alignées correctement et qu'elles ne sont pas coincées. Vérifiez qu'il n'y a pas de pièces cassées ou toute autre condition qui pourrait nuire au bon fonctionnement de l'outil. En cas de dommage, faites réparer l'outil électrique avant utilisation.** De nombreux accidents sont provoqués par des outils électriques mal entretenus.
- f. **Maintenez les outils de découpe affûtés et propres.** Des outils de découpe bien entretenus et affûtés sont moins susceptibles de rester coincés et sont plus faciles à contrôler.
- g. **Utilisez les outils électriques, les accessoires et les embouts d'outil conformément à ces instructions, en tenant compte des conditions de travail, ainsi que du travail à effectuer.** L'utilisation d'un outil électrique à des fins autres que celles pour lesquelles il a été prévu engendre des situations dangereuses.

5. Utilisation et entretien de la batterie de l'outil

- a. **N'effectuez la recharge qu'à l'aide du chargeur spécifié par le fabricant.** Un chargeur adapté pour un autre type de bloc-batterie peut engendrer un risque d'incendie s'il est utilisé avec un bloc-batterie différent.
- b. **N'utilisez les outils électriques qu'avec les blocs-batteries qui leurs sont dédiés.** L'utilisation d'un autre bloc-batterie peut engendrer des blessures et un incendie.
- c. Lorsque le bloc-batterie n'est pas utilisé, éloignez-le des objets en métal comme les trombones, les pièces de monnaies, les clés, les clous, les vis ou d'autres petits

objets métalliques qui pourraient créer une liaison entre les deux bornes. La mise en court-circuit des bornes d'une batterie peut provoquer des brûlures ou un incendie.

- d. **En cas d'utilisation abusive, du liquide peut être éjecté de la batterie. Évitez tout contact avec ce liquide. En cas de contact accidentel, rincez à l'eau. En cas de contact avec les yeux, consultez un médecin.** Le liquide projeté de la batterie peut provoquer des irritations ou des brûlures.

6. Réparation

- a. **Faites réparer votre outil électrique par une personne qualifiée, n'utilisant que des pièces de rechange d'origine.** Cela permet de garantir la sûreté de l'outil électrique.

Consignes de sécurité supplémentaires concernant les outils électriques



Avertissement ! Avertissements supplémentaires concernant les perceuses et les visseuses à chocs

- ◆ **Portez des protections auditives lorsque vous utilisez une perceuse à percussion.** L'exposition au bruit peut provoquer la perte de l'ouïe.
- ◆ **Utilisez les poignées auxiliaires livrées avec l'outil.** La perte de contrôle peut provoquer des blessures.
- ◆ **Tenez l'outil électrique par ses surfaces de préhension isolées lorsque vous l'utilisez dans des endroits où le dispositif de fixation peut entrer en contact avec des fils cachés.** Tout contact du dispositif de fixation avec un fil sous tension peut mettre les parties métalliques exposées de l'outil sous tension et provoquer un choc électrique à l'utilisateur.
- ◆ **Utilisez des pinces ou tout autre moyen pratique pour fixer et soutenir la pièce à travailler sur une plateforme stable.** Tenez la pièce à travailler à la main ou contre votre corps la rend instable et peut conduire à une perte de contrôle.
- ◆ Cet outil ne doit pas être utilisé par des personnes (y compris des enfants) ayant des capacités mentales, sensorielles ou physiques réduites, ou manquant d'expérience et de connaissances, à moins qu'elles ne soient encadrées ou qu'elles n'aient été formées à l'utilisation de l'outil par une personne responsable de leur sécurité. Les enfants doivent être surveillés pour garantir qu'ils ne jouent pas avec l'appareil.
- ◆ L'usage prévu est décrit dans ce manuel d'utilisation. L'utilisation d'un accessoire ou d'une fixation ou l'utilisation de cet outil à d'autres fins que celles recommandées dans ce manuel d'utilisation présentent un risque de blessures et/ou de dommages matériels.

Sécurité des personnes

- ◆ Cet appareil peut être utilisé par des enfants âgés de 8 ans ou plus et par des personnes aux capacités physiques, mentales ou sensorielles déficientes ou qui manquent d'expérience ou de connaissance s'ils sont supervisés ou ont été formés à l'utilisation sûre de l'appareil et qu'ils sont conscients des dangers potentiels.
- ◆ Ne laissez pas les enfants jouer avec l'appareil. Les enfants ne peuvent en aucun cas assurer le nettoyage et l'entretien sans surveillance.

Risques résiduels.

Certains risques résiduels autres que ceux mentionnés dans les avertissements sur la sécurité peuvent survenir en utilisant l'appareil. Ces risques peuvent être provoqués par une utilisation incorrecte, prolongée, etc.

Malgré l'application des normes de sécurité pertinentes et la présence de dispositifs de sécurité, certains risques résiduels ne peuvent pas être évités. Ils comprennent :

- ◆ Les blessures provoquées par le contact avec les pièces rotatives/mobiles.
- ◆ Les blessures provoquées pendant le remplacement de pièces, de lames ou d'accessoires.
- ◆ Les blessures dues à l'utilisation prolongée d'un outil. Lorsque l'outil est utilisé pendant de longues périodes, assurez-vous de faire des pauses régulières.
- ◆ La diminution de l'acuité auditive.
- ◆ Les risques pour la santé provoqués par l'inhalation des poussières générées pendant l'utilisation de votre outil (exemple : travail avec du bois, surtout le chêne, le hêtre et les panneaux en MDF).

Vibrations

La valeur des émissions de vibrations déclarée dans les caractéristiques techniques et la déclaration de conformité a été mesurée conformément à la méthode de test normalisée établie par la norme EN60745 et peut être utilisée pour comparer un outil à un autre. La valeur des émissions de vibrations déclarée peut aussi être utilisée pour une évaluation préliminaire à l'exposition.

Avertissement ! En fonction de la manière dont l'outil est utilisé, la valeur des émissions de vibrations réelles pendant l'utilisation de l'outil peut différer de la valeur déclarée. Le niveau des vibrations peut dépasser le niveau déclaré.

Quand l'exposition aux vibrations est évaluée afin de déterminer les mesures de sécurité requises par la norme 2002/44/CE pour protéger les personnes utilisant régulièrement des outils électriques, cette estimation doit tenir compte des conditions réelles d'utilisation et de la façon dont l'outil est utilisé. Il faut également tenir compte de toutes les composantes du cycle de fonctionnement comme la durée pendant laquelle l'outil est arrêté et quand il fonctionne au ralenti, ainsi que la durée du déclenchement.

Étiquettes sur l'outil

Les pictogrammes suivants ainsi que le code date sont apposés sur l'outil :



Avertissement ! Pour réduire le risque de blessures, l'utilisateur doit lire le manuel d'instructions.

Consignes de sécurité supplémentaires relatives aux batteries et chargeurs

Batteries

- ◆ Ne tentez jamais de les ouvrir sous aucun prétexte.
- ◆ N'exposez pas la batterie à l'eau.
- ◆ Ne la stockez pas dans des endroits où la température peut dépasser 40 °C.
- ◆ Ne les rechargez qu'à une température ambiante comprise entre 10 °C et 40 °C.
- ◆ Ne rechargez qu'à l'aide du chargeur fourni avec l'outil.
- ◆ Lors de la mise au rebut des batteries, respectez les instructions données dans la section « Protection de l'environnement ».



N'essayez pas de recharger des batteries endommagées.

Chargeurs

- ◆ N'utilisez votre chargeur Stanley Fat Max que pour recharger la batterie fournie avec l'outil. D'autres batteries pourraient exploser et provoquer des blessures et des dommages.
- ◆ Ne tentez jamais de recharger des piles non rechargeables.
- ◆ Faites immédiatement remplacer les cordons endommagés.
- ◆ N'exposez pas le chargeur à l'eau.
- ◆ N'ouvrez pas le chargeur.
- ◆ Ne testez pas le chargeur.



Le chargeur est conçu pour être exclusivement utilisé à l'intérieur.



Lisez le manuel d'utilisation avant de l'utiliser.

Sécurité électrique



Votre chargeur dispose d'une double isolation ; aucun fil de terre n'est donc nécessaire. Vérifiez toujours que la tension du secteur correspond à celle indiquée sur la plaque signalétique. N'essayez jamais de remplacer l'unité du chargeur avec une prise secteur ordinaire.

- ◆ Si le câble d'alimentation est endommagé, il doit être remplacé par le fabricant ou par un centre d'assistance agréé Stanley Fat Max afin d'éviter les risques éventuels.

Caractéristiques

Cet outil dispose de tout ou partie des caractéristiques suivantes.

1. Interrupteur variateur de vitesse
2. Curseur de réglage du sens de rotation avant/arrière
3. Mandrin
4. Bague du mandrin
5. Batterie
6. Éclairage de travail à LED
7. Sélecteur de vitesse

Fig. A

8. Chargeur
9. Témoin de charge

Assemblage

Avertissement ! Avant l'assemblage, retirez la batterie de l'outil.

Installation et retrait de la batterie (fig. B)

- ◆ Pour installer la batterie (5), alignez-la avec le boîtier sur l'outil. Glissez la batterie dans le boîtier et poussez-la jusqu'à ce qu'elle se bloque en position.
- ◆ Pour retirer la batterie, poussez le bouton de libération (5a) tout en tirant sur la batterie pour la sortir.

Mise en place et retrait d'un foret ou d'un embout de tournevis

Cet outil est équipé d'un mandrin sans clé qui facilite les changements d'embouts.

- ◆ Pour verrouiller l'outil, placez le curseur de réglage du sens de rotation (2) en position centrale.
- ◆ Maintenez le mandrin (3) et tournez-le dans le sens inverse des aiguilles d'une montre, vu depuis l'extrémité du mandrin.
- ◆ Insérez la tige du foret dans le mandrin.
- ◆ Serrez fermement le mandrin en le tournant dans le sens des aiguilles d'une montre, en regardant depuis l'extrémité du mandrin.

Avertissement ! Ne tentez pas de fixer les forets (ou tout autre accessoire) en saisissant la partie avant du mandrin et en mettant l'outil en marche.

Ceci pourrait endommager le mandrin et provoquer des blessures.

Utilisation

Avertissement ! Laissez l'outil fonctionner à son propre rythme. Ne le poussez pas au-delà de sa limite.

Charge de la batterie (figure A)

La batterie doit être chargée avant la première utilisation et chaque fois qu'elle n'apporte plus assez de puissance pour les travaux réalisés sans peine auparavant. La batterie peut chauffer pendant la charge. Ce phénomène est normal et n'indique pas un problème.

Avertissement ! Ne rechargez pas la batterie à une température ambiante inférieure à 10°C ou supérieure à 40°C. La température recommandée est d'environ 24°C.

Remarque : Le chargeur ne recharge pas la batterie si la température de la cellule est inférieure à environ 10°C ou supérieure à 40°C.

La batterie doit rester dans le chargeur qui démarre automatiquement la charge quand la température de la cellule augmente ou diminue.

- ◆ Pour charger la batterie (5), insérez-la dans le chargeur (8). Il n'y a qu'un moyen d'insérer la batterie dans le chargeur. Ne forcez pas. Assurez-vous que la batterie est complètement enclenchée dans le chargeur.
 - ◆ Branchez le chargeur au secteur.
- Le témoin de charge (9) clignote vert en continu (lentement). Le processus est terminé quand le témoin de charge (9) reste allumé en vert. Le chargeur et la batterie peuvent rester raccordés en permanence avec le voyant allumé. Le voyant peut se mettre à clignoter en vert (charge) si le chargeur détecte qu'il faut compléter la charge de la batterie. Le témoin de charge (9) reste allumé tant que la batterie est raccordée au chargeur branché.
- ◆ Rechargez les batteries déchargées dans un délai d'une semaine. La durée de vie de la batterie est considérablement diminuée si elle est stockée déchargée.

Laisser la batterie dans le chargeur

Le chargeur et le bloc-batterie peuvent rester raccordés avec le voyant allumé en continu. Le chargeur maintient le bloc-batterie complètement chargé.

Diagnostics du chargeur

Si le chargeur détecte l'usure ou l'endommagement de la batterie, le témoin de charge (9) clignote rapidement en rouge. Procédez comme suit :

- ◆ Réinsérez la batterie (5).
- ◆ Si le témoin de charge continue de clignoter rapidement en rouge, déterminez à l'aide d'une autre batterie si le processus de charge fonctionne correctement.
- ◆ Si la batterie test se charge correctement, cela indique que la batterie d'origine est défectueuse et qu'elle doit être renvoyée à un centre d'assistance pour être recyclée.
- ◆ Si la nouvelle batterie signale le même problème, faites tester le chargeur dans un centre d'assistance.

Remarque : La détection de la défaillance de la batterie peut prendre jusqu'à 60 minutes.

Si la batterie est trop chaude ou trop froide, le témoin alterne un clignotement lent, puis un clignotement rapide en rouge et ainsi de suite.

Sélection du sens de rotation (figure C)

Pour le serrage, utilisez le sens de rotation avant (dans le sens des aiguilles d'une montre). Pour le desserrage, utilisez le sens de rotation arrière (dans le sens inverse des aiguilles d'une montre).

- ◆ Pour sélectionner le sens de rotation avant, poussez le curseur de réglage du sens de rotation (2) vers la gauche.
- ◆ Pour sélectionner le sens de rotation arrière, poussez le curseur de réglage du sens de rotation vers la droite.
- ◆ Pour verrouiller l'outil, placez le curseur de réglage du sens de rotation au centre.

Sélection du couple (figure E)

Cet outil est muni d'un collier qui permet de régler le couple pour différentes applications de vissage ou de perçage. Les grandes vis et les matières dures nécessitent un couple de serrage plus élevé que les petites vis et les matières tendres. Pour connaître la définition du symbole, reportez-vous à la liste ci-dessous

- ◆ Pour percer du bois, du métal et du plastique, réglez le collier de réglage de couple (4) sur le symbole b.
- ◆ Pour visser, réglez le collier dans la position désirée. Si vous ne connaissez pas encore le réglage approprié, procédez comme suit :
 - ◆ Réglez le collier de réglage de couple (4) sur le couple le plus faible.
 - ◆ Vissez la première vis.
 - ◆ Si le mandrin cliquète avant d'avoir atteint le résultat voulu, augmentez le réglage du collier et continuez le serrage de la vis. Recommencez jusqu'à ce que le réglage correct soit obtenu. Utilisez ce réglage pour les vis restantes.

Sélecteur de vitesse (fig. D)

- ◆ Pour percer dans l'acier et pour les applications de vissage, glissez le sélecteur de vitesse (7) vers l'arrière de l'outil (1ère vitesse).
- ◆ Pour percer dans des matériaux autres que de l'acier, glissez le sélecteur de vitesse (7) vers l'avant de l'outil (2ème vitesse).

Perçage/vissage

- ◆ Sélectionnez le sens de rotation avant ou arrière à l'aide du curseur de réglage du sens de rotation (2).
- ◆ Pour mettre l'outil en marche, appuyez sur l'interrupteur (1). La vitesse de l'outil dépend du degré d'enfoncement de l'interrupteur.
- ◆ Pour arrêter l'outil, relâchez l'interrupteur.

Éclairage de travail à LED

L'éclairage de travail (6) s'allume automatiquement lorsque la gâchette est enfoncée. Il s'allume quand la gâchette est enfoncée à mi-course, avant que l'outil ne commence à tourner.

Conseils pour une utilisation optimale

Perçage

- ◆ Enfoncez le foret tout droit en appuyant toujours légèrement.
- ◆ Juste avant que le bout du foret n'atteigne l'autre côté de la pièce à percer, diminuez la pression sur l'outil.
- ◆ Utilisez un bloc de bois pour protéger les pièces à percer afin d'éviter les éclats.
- ◆ Utilisez des mèches plates pour percer des gros trous dans le bois.
- ◆ Utilisez des forets HSS pour percer le métal.
- ◆ Utilisez des mèches pour maçonnerie pour des éléments de maçonnerie tendres.
- ◆ Utilisez un lubrifiant pour percer les métaux, autres que le laiton et la fonte.
- ◆ Pour plus de précision, marquez à l'aide d'un poinçon central un point au centre du trou à percer.

Vissage

- ◆ Choisissez toujours un embout de tournevis de type et de taille appropriés.
- ◆ Si le serrage est difficile, enduisez la vis d'une petite quantité de liquide de vaisselle ou de savon comme lubrifiant.
- ◆ Aligned toujours l'outil et l'embout du tournevis avec la vis.

Maintenance

Votre outil Stanley Fat Max a été conçu pour fonctionner pendant longtemps avec un minimum d'entretien. Le fonctionnement continu et satisfaisant de l'outil dépend de son entretien adéquat et de son nettoyage régulier.

Votre chargeur ne nécessite aucun entretien particulier, à l'exception d'un nettoyage régulier.

Avertissement ! Avant d'entretenir l'outil, retirez la batterie. Débranchez le chargeur avant de le nettoyer.

- ◆ Nettoyez régulièrement les fentes d'aération de votre outil et du chargeur à l'aide d'une brosse souple ou d'un chiffon sec.
- ◆ Nettoyez régulièrement le carter moteur à l'aide d'un chiffon humide. N'utilisez pas de détergents abrasifs ou à base de solvants.
- ◆ Ouvrez régulièrement le mandrin et retirez la poussière qu'il contient en le tapotant.

Protection de l'environnement



Tri sélectif. Les produits et batteries marqués de ce symbole ne doivent pas être jetés avec les déchets ménagers.

Les produits et batteries contiennent des matières qui peuvent être récupérées et recyclées afin de réduire la demande en matières premières.

Veuillez recycler les produits électriques et les batteries conformément aux dispositions locales en vigueur. Plus d'informations sont disponibles sur le site www.2helpU.com

Données techniques

		KFMC0011
Tension	V_{CC}	10,8
Vitesse à vide	Min^{-1}	0-400, 0-1500
Couple maxi (Classement PTI)	Nm	26
Capacité du mandrin	mm	10
Capacité max de perçage Acier/Bois	mm	10/20
Poids	kg	1,0

		N472239/N472243
Tension d'entrée	V_{CA}	230
Tension de sortie	V_{CC}	22
Courant	A	1,25
Durée de charge approximative	min	70 (1,5 AH)

		FMC086L
Tension	V_{CC}	10,8
Capacité	Ah	1,5
Type		Li-Ion

Niveau de pression sonore selon la norme EN 60745 :	
Pression sonore (L_{pA})	82,0 dB(A), incertitude (K) 3 dB(A)
Puissance sonore (L_{WA})	93 dB(A), incertitude (K) 3 dB(A)

Valeurs totales des vibrations (somme vectorielle triaxiale) selon la norme EN 60745 :	
Perçage du métal ($a_{h\nu}$)	1,1 m/s^2 , incertitude (K) 1,5 m/s^2
Vissage ($a_{h\nu}$)	0,9 m/s^2 , incertitude (K) 1,5 m/s^2

Déclaration de conformité CE

DIRECTIVES MACHINES



Perceuse/Visseuse sans fil - KFMC0011
Stanley Europe déclare que les produits décrits dans les "Données techniques" sont conformes aux normes :
2006/42/CE, EN 60745-1:2009 +A1:2010,
EN 60745-2-1:2010, EN 60745-2-2:2010

Ces produits sont également conformes aux Directives 2014/30/UE et 2011/65/UE. Pour plus de détails, veuillez contacter Stanley Europe à l'adresse suivante ou vous reporter au dos du manuel.

Le soussigné est responsable des données de la fiche technique et fait cette déclaration au nom de Stanley Europe.

Ray Laverick

Directeur Ingénierie
Stanley Europe, Egide Walschaertsstraat14-18,
2800 Mechelen, Belgique
16/05/2016

Garantie

Stanley Fat Max est sûr de la qualité de ses produits et offre une garantie de 12 mois aux utilisateurs, à partir de la date d'achat. Cette garantie s'ajoute à vos droits légaux auxquels elle ne porte aucunement préjudice. Cette garantie est valable au sein des territoires des États membres de l'Union Européenne et au sein de la Zone européenne de libre-échange.

Pour prétendre à la garantie, la réclamation doit être en conformité avec les conditions générales de Stanley Fat Max et vous devez fournir une preuve d'achat au vendeur ou au réparateur agréé. Les conditions générales de la garantie de 1 an Stanley Fat Max ainsi que l'adresse du réparateur agréé le plus proche sont disponibles sur le site Internet www.2helpU.com ou en contactant votre agence Stanley Fat Max locale à l'adresse indiquée dans ce manuel.

Accédez à notre site Internet www.blackanddecker.co.uk pour enregistrer votre nouveau produit Stanley Fat Max et être informé des nouveaux produits et des offres spéciales.

Uso previsto

El taladro/destornillador Stanley Fat Max KFMCD011 ha sido diseñado para atornillar y taladrar madera, metal y plásticos. Esta herramienta ha sido concebida para usuarios profesionales y para usuarios no profesionales privados.

Instrucciones de seguridad

Advertencias de seguridad generales para herramientas eléctricas



Advertencia. Lea todas las advertencias de seguridad y todas las instrucciones. En caso de no atenerse a las siguientes advertencias e instrucciones de seguridad, podría producirse una descarga eléctrica, incendio o lesión grave.

Guarde todas las advertencias e instrucciones para futuras consultas. El término "herramienta eléctrica" empleado en las advertencias a continuación hace referencia a la herramienta eléctrica con alimentación de red (con cable) o alimentada por batería (sin cable).

1. **Seguridad del área de trabajo**
 - a. **Mantenga limpia y bien iluminada el área de trabajo.** Las áreas en desorden u oscuras pueden provocar accidentes.
 - b. **No utilice herramientas eléctricas en entornos con peligro de explosión, como aquellos en los que haya líquidos, gases o material en polvo inflamables.** Las herramientas eléctricas originan chispas que pueden inflamar el polvo o los gases.
 - c. **Mantenga alejados a los niños y a otras personas del área de trabajo al emplear la herramienta eléctrica.** Las distracciones pueden ocasionar que pierda el control.
2. **Seguridad eléctrica**
 - a. **El enchufe de la herramienta eléctrica debe corresponder a la toma de corriente utilizada. No modifique nunca el enchufe de ninguna forma. No utilice ningún enchufe adaptador con las herramientas eléctricas conectadas a tierra.** Los enchufes no modificados y las tomas de corriente correspondientes reducirán el riesgo de descarga eléctrica.
 - b. **Evite que su cuerpo toque partes conectadas a tierra como tuberías, radiadores, cocinas y refrigeradores.** Existe un mayor riesgo de descarga eléctrica si su propio cuerpo está conectado a tierra.
 - c. **No exponga las herramientas eléctricas a la lluvia y evite que penetren líquidos en su interior.** Si entra agua a una herramienta eléctrica aumentará el riesgo de descarga eléctrica.
 - d. **Cuide el cable de alimentación. No use nunca el cable para transportar, tirar de la herramienta eléctrica o desenchufarla. Mantenga el cable alejado del calor, aceite, bordes afilados y piezas en movimiento.** Los cables dañados o enredados aumentan el riesgo de descarga eléctrica.
 - e. **Al trabajar con la herramienta eléctrica en la intemperie utilice solamente cables de prolongación homologados para su uso en exteriores.** La utilización de un cable adecuado para el uso en exteriores reduce el riesgo de descarga eléctrica.
 - f. **Si la utilización de una herramienta eléctrica en un lugar húmedo es inevitable, utilice una fuente protegida con un dispositivo de corriente residual (RCD).** El uso de un dispositivo de corriente residual reduce el riesgo de descarga eléctrica.
3. **Seguridad personal**
 - a. **Esté atento a lo que hace y emplee la herramienta eléctrica con prudencia. No maneje una herramienta eléctrica cuando esté cansado o bajo los efectos de drogas, medicamentos o alcohol.** Un momento de falta de atención cuando se manejan las herramientas eléctricas puede ocasionar lesiones personales graves.
 - b. **Utilice un equipo de protección personal. Utilice siempre protección ocular.** El uso del equipo protector como mascarillas antipolvo, calzado antideslizante, casco o protección auditiva para condiciones apropiadas reducirá las lesiones personales.
 - c. **Evite que la herramienta se ponga en marcha accidentalmente. Asegúrese de que el interruptor se encuentre en la posición de apagado antes de conectar la herramienta a la fuente de alimentación o a la batería, o de coger o transportar la herramienta.** Transportar herramientas eléctricas con el dedo puesto en el interruptor o herramientas eléctricas activadoras que tengan el interruptor encendido puede provocar accidentes.
 - d. **Retire las herramientas de ajuste o llaves fijas antes de conectar la herramienta eléctrica.** Dejar una llave inglesa u otra llave puesta en una pieza en movimiento de la herramienta eléctrica puede ocasionar lesiones personales.
 - e. **Sea precavido. Mantenga un equilibrio adecuado y la estabilidad constantemente.** Esto permite un mejor control de la herramienta eléctrica en situaciones inesperadas.
 - f. **Lleve puesta una vestimenta de trabajo adecuada. No se ponga ropa suelta o joyas. Mantenga el cabello, la ropa y los guantes alejados de las piezas en movimiento.** La ropa suelta, las joyas y el pelo largo pueden quedar atrapados en las piezas en movimiento.

g. Siempre que sea posible utilizar unos equipos de aspiración o captación de polvo, asegúrese de que estén montados y se utilicen correctamente. El uso de equipo de recogida de polvo puede reducir los riesgos relacionados con el polvo.

4. Uso y cuidado de herramientas eléctricas

- a. No sobrecargue la herramienta eléctrica. Use la herramienta eléctrica correcta para su trabajo.** La herramienta eléctrica correcta funcionará mejor y con mayor seguridad si se utiliza de acuerdo con sus características técnicas.
- b. No utilice herramientas eléctricas con un interruptor defectuoso.** Toda herramienta eléctrica que no pueda controlarse con el interruptor es peligrosa y debe ser reparada.
- c. Desconecte el conector de la herramienta eléctrica de la fuente de alimentación y la batería antes de realizar cualquier ajuste, cambiar accesorios o guardar la herramienta.** Dichas medidas de seguridad preventivas reducen el riesgo de poner en marcha accidentalmente la herramienta eléctrica.
- d. Guarde las herramientas eléctricas fuera del alcance de los niños y de las personas que no estén familiarizadas con su uso.** Las herramientas eléctricas son peligrosas en manos de personas no capacitadas.
- e. Realice el mantenimiento de sus herramientas eléctricas. Controle si funcionan correctamente, sin atascarse, las partes móviles de la herramienta eléctrica, y si existen partes rotas o deterioradas que pudieran afectar al funcionamiento de la herramienta. Si la herramienta eléctrica está dañada, llévela para que sea reparada antes de utilizarla.** Se ocasionan muchos accidentes por el mal mantenimiento de las herramientas eléctricas.
- f. Mantenga las herramientas de corte limpias y afiladas.** Hay menos probabilidad de que las herramientas de cortar con bordes afilados se bloqueen, y son más fáciles de controlar.
- g. Utilice la herramienta eléctrica, los accesorios, los útiles de la herramienta, etc. de acuerdo con estas instrucciones, y tenga en cuenta las condiciones de trabajo y la tarea que se va a realizar.** El uso de la herramienta eléctrica para operaciones que no sean las previstas puede ocasionar una situación peligrosa.

5. Uso y cuidado de la herramienta de baterías

- a. Recárguela sólo con el cargador especificado por el fabricante.** Un cargador adecuado para un tipo de paquete de baterías puede provocar riesgos de incendio al ser utilizado con otro paquete de baterías.
- b. Utilice las herramientas eléctricas solamente con las baterías recomendadas.**

El uso de otras baterías puede suponer un riesgo de incendio y lesiones.

- c. Cuando no utilice la batería, manténgala alejada de objetos de metal como clips para papel, monedas, llaves, clavos, tornillos y otros pequeños objetos metálicos que pueden realizar una conexión de un terminal a otro.** Si se produce un cortocircuito entre los terminales de la batería, pueden ocasionarse incendios o quemaduras.
 - d. En caso de uso abusivo puede salir líquido de la batería, evite el contacto. Si se produce un contacto accidental, lave con agua. Si el líquido se pone en contacto con los ojos, acuda además a un médico.** El líquido expulsado de la batería podrá provocar irritaciones o quemaduras.
- 6. Servicio**
- a. Esta herramienta eléctrica solo la puede reparar personal técnico autorizado que emplee exclusivamente piezas de repuesto originales.** Así se asegurará que se mantenga la seguridad de la herramienta eléctrica.

Advertencias de seguridad adicionales para herramientas eléctricas



Advertencia. Advertencias de seguridad adicionales para taladros y atornilladores de percusión

- ◆ **Utilice protectores para los oídos con los taladros de percusión.** La exposición al ruido puede provocar pérdida de audición.
- ◆ **Utilice las empuñaduras auxiliares suministradas con la herramienta.** La pérdida de control puede provocar lesiones personales.
- ◆ **Sujete la herramienta eléctrica por la superficie protegida cuando realice una operación en la que el accesorio de corte pueda entrar en contacto con cables ocultos.** El contacto de los elementos de sujeción con un cable "cargado" puede cargar las partes metálicas expuestas de la herramienta eléctrica y producir una descarga eléctrica al operador.
- ◆ **Utilice fijaciones o cualquier otro método para fijar y apoyar la pieza de trabajo en una plataforma estable.** Si sostiene la pieza de trabajo con las manos o con su cuerpo, esta estará inestable y podrá hacer que usted pierda el control.
- ◆ Las personas (incluyendo niños) con capacidades físicas, sensoriales o mentales disminuidas o que carezcan de experiencia y conocimientos no deben utilizar esta herramienta, salvo que hayan recibido supervisión o formación con respecto al uso del aparato por parte de una persona responsable de su seguridad.

Los niños deben vigilarse en todo momento para garantizar que el aparato no se toma como elemento de juego.

- ◆ En este manual se describe el uso previsto. La utilización de accesorios o dispositivos auxiliares o la realización de operaciones distintas a las recomendadas en este manual de instrucciones para esta herramienta puede presentar riesgo de lesiones personales y/o de daños materiales.

Seguridad de otras personas

- ◆ Ninguna persona (incluidos los niños a partir de 8 años de edad) con capacidades físicas, sensoriales o mentales disminuidas, o que carezca de experiencia y conocimientos, debe utilizar este aparato, salvo que haya recibido supervisión o formación con respecto al uso del aparato de una forma segura y que comprenda los peligros que entraña.
- ◆ Los niños no deben jugar con el aparato. Ningún niño deberá realizar las tareas de limpieza y mantenimiento, salvo que lo hagan bajo supervisión.

Riesgos residuales.

El uso de esta herramienta puede producir riesgos residuales adicionales no incluidos en las advertencias de seguridad adjuntas. Estos riesgos se pueden generar por un uso incorrecto, demasiado prolongado, etc.

El cumplimiento de las normas de seguridad correspondientes y el uso de dispositivos de seguridad no evitan ciertos riesgos residuales. Dichos riesgos incluyen:

- ◆ Lesiones producidas por el contacto con piezas móviles o giratorias.
- ◆ Lesiones producidas al cambiar cualquier pieza, cuchilla o accesorio.
- ◆ Lesiones producidas al usar una herramienta por un tiempo demasiado prolongado. Si utiliza una herramienta durante períodos de tiempo demasiado prolongados, asegúrese de realizar pausas con frecuencia.
- ◆ Deterioro auditivo.
- ◆ Riesgos para la salud causados por la respiración del polvo generado por el uso de la herramienta (por ejemplo, al trabajar con madera, especialmente roble, haya, tablero semiduro de fibras y cuarzo en polvo de hormigón).

Vibración

Los valores de emisión de vibraciones declarados en el apartado de características técnicas y en la declaración de conformidad se han calculado según un método de prueba estándar proporcionado por la norma EN60745 y pueden utilizarse para comparar una herramienta con otra. El valor de emisión de vibraciones especificado también puede utilizarse en una evaluación preliminar de la exposición.

Advertencia. El valor de emisión de vibraciones durante el funcionamiento real de la herramienta eléctrica puede diferir del valor declarado en función de cómo se utilice dicha herramienta. El nivel de las vibraciones puede aumentar por encima del nivel declarado.

Al evaluar la exposición a las vibraciones con el fin de determinar las medidas de seguridad que exige la directiva 2002/44/CE para proteger a las personas que utilizan periódicamente herramientas eléctricas en el entorno laboral, deberá tenerse en cuenta una estimación de la exposición a las vibraciones, las condiciones de uso reales y el modo de empleo de la herramienta, así como los pasos del ciclo operativo como, por ejemplo, el número de veces que la herramienta se apaga, el tiempo que está parada y el tiempo de activación.

Etiquetas en la herramienta

Los siguientes pictogramas están colocados, junto al código, en la herramienta:



Advertencia. Para reducir el riesgo de lesiones, el usuario debe leer el manual de instrucciones.

Instrucciones de seguridad adicionales para baterías y cargadores

Baterías

- ◆ Jamás trate de abrir las baterías por ningún motivo.
- ◆ No exponga las baterías al agua.
- ◆ No guarde la batería en lugares en los que la temperatura pueda superar los 40 °C.
- ◆ Recargue la batería únicamente a una temperatura ambiente entre 10 °C y 40 °C.
- ◆ Utilice únicamente el cargador suministrado con la herramienta para realizar la carga.
- ◆ Cuando vaya a desechar la batería, siga las instrucciones facilitadas en la sección "Protección del medioambiente".



No intente cargar baterías dañadas.

Cargadores

- ◆ Utilice el cargador Stanley Fat Max para cargar únicamente la batería de la herramienta con la que fue suministrado. Si intenta cargar otras baterías, estas podrían explotar y provocar lesiones y daños materiales.
- ◆ Nunca intente cargar baterías no recargables.
- ◆ Sustituya los cables defectuosos inmediatamente.
- ◆ No exponga el cargador al agua.
- ◆ No abra el cargador.
- ◆ No aplique ningún dispositivo para medir la resistencia del cargador.



El cargador ha sido concebido para utilizarse únicamente en un lugar interior.



Lea el manual de instrucciones antes de usar el producto.

Seguridad eléctrica



El cargador presenta un aislamiento doble; por lo tanto, no se requiere conexión a tierra. Compruebe siempre que el voltaje de la red eléctrica corresponda al valor indicado en la placa de características. No intente sustituir el cargador por un enchufe convencional para la red eléctrica.

- ◆ Si se daña el cable de alimentación, debe ser sustituido por el fabricante o en un centro de asistencia técnica autorizado de Stanley Fat Max para evitar cualquier situación de riesgo.

Características

Esta herramienta incluye parte o la totalidad de estas características.

1. Interruptor de velocidad variable
2. Control deslizante de avance/retroceso
3. Mandril
4. Collar de mandril
5. Batería
6. Luz de trabajo LED
7. Selector de velocidad

Fig. A

8. Cargador
9. Indicador de carga

Ensamblaje

Advertencia. Antes de proceder al montaje, extraiga la batería de la herramienta.

Inserción y extracción de la batería (Fig. B)

- ◆ Para insertar la batería (5), alinéela con el receptáculo de la herramienta. Deslice la batería dentro del receptáculo y empujela hasta que encaje en su sitio.
- ◆ Para extraer la batería, presione los botones de liberación (5a) a la vez que tira de la batería para extraerla del receptáculo.

Colocación y extracción de la broca o la punta del destornillador

Esta herramienta está dotada de un portabrocas sin llave que permite cambiar las brocas fácilmente.

- ◆ Para bloquear la herramienta, ajuste el control deslizante de avance/retroceso (2) en la posición central.

- ◆ Sujete el mandril (3) y gírelo en el sentido contrario al de las agujas del reloj, como se muestra en el extremo del mandril.
- ◆ Inserte el eje de la broca o punta de destornillador en el portabrocas.
- ◆ Apriete firmemente el portabrocas girándolo en el sentido contrario a las agujas del reloj visto desde el extremo del portabrocas.

Advertencia. No intente fijar las brocas ni otros accesorios agarrando el portabrocas por la parte delantera y encendiendo la herramienta.

De hacerlo, se podría dañar el portabrocas y se podrían producir daños personales.

Uso

Advertencia. Deje que la herramienta funcione a su ritmo. No la sobrecargue.

Carga de la batería (Fig. A)

Es necesario cargar la batería antes del primer uso y cada vez que note que no dispone de suficiente potencia para tareas que antes realizaba con facilidad. Es posible que la batería se caliente durante la carga; esto es normal y no denota ningún problema.

Advertencia. No cargue la batería si la temperatura ambiente es inferior a 10 °C o superior a 40 °C. La temperatura de carga recomendada es de aproximadamente 24 °C.

Nota: El cargador no cargará la batería si la temperatura de esta es inferior a 10 °C o superior a 40 °C aproximadamente.

Deje la batería en el cargador y este empezará a cargarla automáticamente cuando la temperatura de la batería aumente o disminuya.

- ◆ Para cargar la batería (5), insértela en el cargador (8). La batería encaja en el cargador solo en un sentido. No la fuerce. Asegúrese de que la batería queda perfectamente encajada en el cargador.
- ◆ Enchufe el cargador y conéctelo a la red eléctrica.

El indicador de carga (9) parpadeará en verde de forma continua (lentamente).

La carga habrá finalizado cuando el indicador de carga (9) se ilumine en verde de manera continua. El cargador y la batería pueden permanecer conectados durante un periodo de tiempo indefinido con el indicador LED iluminado. El indicador LED pasará a parpadear en verde (estado de carga), ya que el cargador completa la carga de la batería ocasionalmente. El indicador de carga (9) permanecerá encendido siempre que la batería esté conectada al cargador y este último permanezca enchufado.

- ◆ Cargue las baterías descargadas en el plazo de 1 semana. La duración de la batería disminuirá considerablemente si se guarda descargada.

Dejar la batería en el cargador

El cargador y la batería pueden permanecer conectados durante un periodo de tiempo indefinido con el indicador LED iluminado. El cargador mantendrá la batería a baja temperatura y completamente cargada.

Diagnóstico del cargador

Si el cargador detecta que la batería dispone de poca energía o está dañada, el indicador de carga (9) parpadeará en rojo a gran velocidad. Realice el procedimiento siguiente:

- ◆ Vuelva a insertar la batería (5).
- ◆ Si los indicadores de carga siguen parpadeando en rojo rápidamente, utilice una batería diferente para determinar si el proceso de carga se efectúa correctamente.
- ◆ Si la batería sustituida se carga correctamente, significa que la batería original es defectuosa y que debe devolverla al centro de servicio para su reciclado.
- ◆ Si el cargador muestra la misma indicación con la batería nueva, llévelo a un centro de servicio autorizado para que lo revisen.

Nota: puede llevar hasta 60 minutos determinar si la batería es defectuosa. Si la batería está demasiado caliente o demasiado fría, el indicador LED alternará parpadeos en rojo, rápidos y lentos, con un destello en cada rango de velocidad, y se repetirá la secuencia.

Selección de la dirección de rotación (Fig. C)

Para apretar, utilice la rotación de avance (en el sentido de las agujas del reloj). Para aflojar, utilice la rotación de retroceso (en sentido contrario al de las agujas del reloj).

- ◆ Para seleccionar la rotación hacia delante, empuje el control deslizante de avance/retroceso (2) hacia la izquierda.
- ◆ Para seleccionar la rotación de retroceso, empuje el control deslizante de avance/retroceso hacia la derecha.
- ◆ Para bloquear la herramienta, ajuste el control deslizante de avance/retroceso en la posición central.

Selección de la torsión (fig. E)

Esta herramienta está dotada de un collar que permite ajustar la torsión para atornillar y taladrar. Los tornillos largos y las piezas de trabajo de materiales duros requieren un ajuste de par de torsión mayor que los tornillos pequeños y las piezas de trabajo de materiales blandos. Para obtener la definición del símbolo consulte la lista siguiente.

- ◆ Para perforar madera, metal y plástico, ajuste el collar de ajuste de torsión (4) en el símbolo b.
- ◆ Para atornillar, fije el collar en el ajuste deseado. Si no conoce el ajuste adecuado, haga lo siguiente:
 - ◆ Ajuste el collar de ajuste de torsión (4) en el valor más bajo.
 - ◆ Apriete el primer tornillo.

- ◆ Si el embrague ralentiza antes de obtener el resultado deseado, aumente el ajuste del collar y siga apretando el tornillo. Repita la operación hasta obtener el ajuste correcto. Utilice este ajuste para los tornillos restantes.

Selector de velocidad (fig. D)

- ◆ Para perforar acero y para atornillar, deslice el selector de velocidad (7) hacia la parte trasera de la herramienta (1.ª marcha).
- ◆ Para perforar otros materiales distintos al acero, deslice el selector de velocidad (7) hacia la parte delantera de la herramienta (2.ª marcha).

Taladrado/atornillado

- ◆ Seleccione la rotación hacia delante o hacia atrás con el control deslizante de avance/retroceso (2).
- ◆ Para encender la herramienta, pulse el interruptor (1). La velocidad de la herramienta depende de la presión que se aplique al interruptor.
- ◆ Para apagar la herramienta, suelte el interruptor.

Luz de trabajo LED

La luz de trabajo LED (6) se activa de forma automática al pulsar el gatillo. La luz de trabajo LED se iluminará cuando el gatillo se presione parcialmente, antes de que la unidad comience a funcionar.

Consejos por un uso óptimo

Taladrado

- ◆ Ejercer siempre una ligera presión en línea recta con la broca.
- ◆ Justo antes de que la broca traspase el otro lado de la pieza de trabajo, disminuya la presión ejercida sobre la herramienta.
- ◆ Utilice un bloque de madera para proteger las piezas de trabajo que puedan astillarse.
- ◆ Utilice brocas de pala para taladrar orificios de gran diámetro sobre madera.
- ◆ Utilice brocas de acero de alta velocidad (HSS) para taladrar metal.
- ◆ Utilice brocas de mampostería para taladrar materiales de mampostería ligera.
- ◆ Utilice un lubricante cuando taladre metales distintos de hierro fundido y latón.
- ◆ Haga una muesca con un punzón de centrar en la parte central del orificio que va a perforar para mejorar la precisión.

Atornillado

- ◆ Utilice siempre el tipo y tamaño de punta de destornillador correctos.

- ◆ Si le resulta difícil apretar los tornillos, inténtelo utilizando un poco de detergente o de jabón como lubricante.
- ◆ Sujete siempre la herramienta y la punta del destornillador en línea recta con el tornillo.

Mantenimiento

La herramienta de Stanley Fat Max se ha diseñado para que funcione durante un largo período de tiempo con un mantenimiento mínimo. El funcionamiento satisfactorio y continuo depende del buen cuidado de la herramienta y de una limpieza frecuente.

El cargador no requiere ningún mantenimiento especial excepto la limpieza periódica.

Advertencia. Antes de realizar alguna operación de mantenimiento en la herramienta, extraiga la batería. Desenchufe el cargador antes de limpiarlo.

- ◆ Limpie periódicamente las ranuras de ventilación de la herramienta y el cargador con un cepillo suave o un paño seco.
- ◆ Limpie periódicamente la carcasa del motor con un paño húmedo. No utilice limpiadores de base abrasiva ni disolventes.
- ◆ Abra regularmente el mandril y golpéelo suavemente para eliminar los restos de polvo que haya en su interior.

Protección del medio ambiente



Recogida selectiva. Los productos y las baterías marcadas con este símbolo no se deben eliminar con los residuos domésticos normales.

Los productos y las baterías que contienen materiales que se puedan recuperar o reciclar reducen la demanda de materias primas.

Recicle los productos eléctricos y el conjunto de la batería de conformidad con la normativa local. Puede obtener más información en www.2helpU.com

Datos técnicos

		KFMCD011
Tensión	V_{CC}	10.8
Velocidad en vacío	Min. ⁻¹	0-400/0-1500
Par de torsión máximo (Categoría PTI)	Nm	26
Capacidad del mandril	mm	10
Capacidad máxima de perforación Acero/madera	mm	10/20
Peso	kg	1.0

Cargador		N472239/N472243
Voltaje de entrada	V_{CA}	230
Voltaje de salida	V_{CC}	22
Corriente	A	1.25
Tiempo de carga aproximado	min	70 (1.5 AH)

Batería		FMC086L
Tensión	V_{CC}	10.8
Capacidad	Ah	1.5
Tipo		Litio-ión

Nivel de presión acústica de acuerdo con la norma EN 60745:

Presión acústica (L_{PA}) 82,0 dB(A), Incertidumbre (K) 3 dB(A)

Potencia acústica (L_{WA}) 93 dB(A), Incertidumbre (K) 3 dB(A)

Valores totales de vibración (suma vectorial triaxial) de acuerdo con la directiva EN 60745:

Perforación de metal (a_{hv}) 1,1 m/s^2 incertidumbre (K) 1,5 m/s^2
 Atornillado (a_{ht}) 0,9 m/s^2 incertidumbre (K) 1,5 m/s^2

Declaración de conformidad CE

DIRECTIVA DE MÁQUINAS

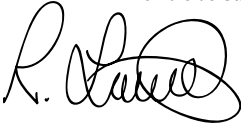


Taladro / destornillador sin cable - KFMCD011

Stanley Europe declara que los productos descritos en la "ficha técnica" cumplen con las siguientes directrices: 2006/42/CE, EN 60745-1:2009 +A1:2010, EN 60745-2-1:2010, EN 60745-2-2:2010

Estos productos también cumplen con las Directivas 2014/30/UE y 2011/65/UE. Si desea obtener más información, póngase en contacto con Stanley Europe a través de la siguiente dirección o consulte el dorso del manual.

La persona que firma a continuación es responsable de la elaboración del archivo técnico y realiza esta declaración en nombre de Stanley Europe.



Ray Laverick
Director de Ingeniería
Stanley Europe, Egide Walschaertsstraat 14-18,
2800 Mechelen, Bélgica
16/05/2016

Garantía

Stanley Fat Max confia en la calidad de sus productos y ofrece a los consumidores una garantía de 12 meses a partir de la fecha de compra. Esta garantía es adicional a sus derechos legales y no los menoscaba en modo alguno. La garantía es válida dentro de los territorios de los Estados Miembros de la Unión Europea y del Área de Libre Comercio Europea.

Para reclamar la garantía, la reclamación se debe presentar de conformidad con las condiciones de Stanley Fat Max. Tendrá que adjuntar un justificante de compra al vendedor o al agente técnico autorizado. Las condiciones de la garantía de 1 años de Stanley Fat Max y la ubicación de su agente técnico autorizado más cercano se pueden obtener en Internet en www.2helpU.com o poniéndose en contacto con su oficina local de Stanley Fat Max en la dirección que se indica en este manual.

Visite nuestro sitio web www.blackanddecker.co.uk y registre su nuevo producto Stanley Fat Max para mantenerse al día sobre los nuevos productos y las ofertas especiales.

Utilização pretendida

O seu berbequim/aparafusadora Stanley Fat Max KFMCD011 foi concebido para aparafusar e perfurar madeira, metal e plástico. Esta ferramenta destina-se a utilização profissional bem como a utilizadores privados não profissionais.

Instruções de segurança

Avisos de segurança gerais para ferramentas eléctricas



Atenção! Leia todos os avisos de segurança e todas as instruções. O não cumprimento dos seguintes avisos e instruções pode resultar em choque eléctrico, incêndio e/ou graves lesões.

Guarde todos os avisos e instruções para futura referência. A expressão "ferramenta eléctrica" utilizada a seguir refere-se a ferramentas eléctricas com ligação à corrente eléctrica (com cabo) ou com bateria (sem fios).

1. Segurança na área de trabalho

- a. **Mantenha a área de trabalho limpa e bem iluminada.** As áreas desorganizadas ou escuras são propensas a acidentes.
- b. **Não trabalhe com ferramentas eléctricas em áreas com risco de explosão, nas quais se encontrem líquidos, gases ou poeiras inflamáveis.** As ferramentas eléctricas criam faíscas que poderão inflamar estas poeiras ou vapores.
- c. **Mantenha crianças e outras pessoas afastadas durante a utilização da ferramenta eléctrica.** As distrações podem levar à perda do controlo da ferramenta.

2. Segurança eléctrica

- a. **As fichas da ferramenta eléctrica devem caber na tomada. Nunca modifique a ficha de forma alguma. Não utilize fichas adaptadoras com ferramentas eléctricas ligadas à terra.** As fichas não modificadas e as tomadas compatíveis reduzem o risco de choque eléctrico.
- b. **Evite que o corpo entre em contacto com superfícies ligadas à terra, como tubos, radiadores, fogões e frigoríficos.** Se o seu corpo estiver "ligado" à terra, o risco de choque eléctrico é maior.
- c. **As ferramentas eléctricas não podem ser expostas a chuva nem humidade.** A entrada de água numa ferramenta eléctrica aumenta o risco de choque eléctrico.
- d. **Manuseie o cabo com cuidado. Nunca o utilize para transportar, puxar ou desligar a ferramenta eléctrica.**

- Mantenha o cabo afastado de fontes de calor, substâncias oleosas, extremidades aguçadas ou peças móveis.** Os cabos danificados ou emaranhados aumentam o risco de choque eléctrico.
- e. **Quando trabalhar com uma ferramenta eléctrica ao ar livre, utilize um cabo de extensão apropriado para esse fim.** A utilização de um cabo adequado para uso ao ar livre reduz o risco de choque eléctrico.
- f. **Se for inevitável trabalhar com uma ferramenta eléctrica num local húmido, utilize um dispositivo de corrente residual (RCD).** A utilização de um DCR reduz o risco de choque eléctrico.
3. **Segurança pessoal**
- a. **Mantenha-se alerta, tenha atenção ao que está a fazer e seja cuidadoso quando trabalhar com a ferramenta eléctrica. Não utilize uma ferramenta eléctrica quando estiver cansado ou sob o efeito de drogas, álcool ou medicamentos.** Um momento de distração durante a utilização de ferramentas eléctricas poderá resultar em ferimentos graves.
- b. **Utilize equipamento de protecção pessoal. Use sempre uma protecção ocular.**
O equipamento de protecção, como, por exemplo, uma máscara contra o pó, sapatos de segurança antiderrapantes, um capacete de segurança ou uma protecção auditiva, usado nas condições apropriadas, reduz o risco de ferimentos.
- c. **Evite arranques involuntários. Certifique-se de que o botão está desligado antes de ligar a ferramenta à corrente eléctrica e/ou à bateria, e antes de pegar ou transportar a ferramenta.** Se mantiver o dedo sobre o interruptor ao transportar ferramentas eléctricas ou se as ligar à fonte de alimentação com o interruptor ligado, poderá dar origem a acidentes.
- d. **Retire eventuais chaves de ajuste ou chaves de fendas antes de ligar a ferramenta eléctrica.** Uma chave de fenda ou de ajuste que se encontre numa peça em rotação da ferramenta eléctrica poderá causar lesões.
- e. **Não tente chegar a pontos fora do alcance. Mantenha sempre os pés bem apoiados e um equilíbrio apropriado.** Desta forma, será mais fácil controlar a ferramenta eléctrica em situações inesperadas.
- f. **Use vestuário adequado. Não use roupa larga nem jóias. Mantenha o cabelo, a roupa e as luvas afastados das peças móveis.** As roupas largas, as jóias ou o cabelo comprido podem ficar presos nestas peças.
- g. **Se for prevista a montagem de dispositivos de extracção e recolha de poeiras, assegure-se de que estão ligados e que são utilizados de forma correcta.**
A utilização de dispositivos de extracção de partículas pode reduzir os riscos relacionados com as mesmas.
4. **Utilização e manutenção da ferramenta eléctrica**
- a. **Não sobrecarregue a ferramenta eléctrica. Utilize a ferramenta eléctrica correcta para o seu trabalho.** A ferramenta eléctrica adequada irá efectuar o trabalho de um modo mais eficiente e seguro se for utilizada de acordo com a capacidade para a qual foi concebida.
- b. **Não utilize a ferramenta eléctrica se o interruptor não puder ser ligado nem desligado.** Qualquer ferramenta eléctrica que não possa ser controlada através do interruptor de alimentação é perigosa e tem de ser reparada.
- c. **Desligue a ficha da tomada e/ou a bateria da ferramenta eléctrica antes de proceder a ajustes, trocar acessórios ou guardar ferramentas eléctricas.** Estas medidas de segurança preventivas reduzem o risco de ligar a ferramenta eléctrica acidentalmente.
- d. **Mantenha as ferramentas eléctricas que não estiverem a ser utilizadas fora do alcance das crianças. Não permita que a ferramenta eléctrica seja utilizada por pessoas não familiarizadas com a mesma ou que não tenham lido estas instruções.** As ferramentas eléctricas são perigosas nas mãos de pessoas que não possuam as qualificações necessárias para as manusear.
- e. **Proceda à manutenção das ferramentas eléctricas. Verifique se as partes móveis estão desalinhadas ou bloqueadas, se existem peças partidas ou qualquer outra situação que possa afectar o funcionamento das ferramentas eléctricas. Se a ferramenta eléctrica estiver danificada, esta não deve ser utilizada até que seja reparada.** Muitos acidentes têm como principal causa ferramentas eléctricas com uma manutenção insuficiente.
- f. **Mantenha as ferramentas de corte afiadas e limpas.** As ferramentas de corte sujeitas a uma manutenção adequada, com arestas de corte afiadas, emperram com menos frequência e controlam-se com maior facilidade.
- g. **Utilize a ferramenta eléctrica, acessórios e peças de ferramenta de acordo com estas instruções, considerando as condições de trabalho e a tarefa a ser executada.** A utilização da ferramenta eléctrica para fins diferentes dos previstos poderá resultar em situações perigosas.
5. **Utilização e cuidados a ter com a ferramenta com pilhas**
- a. **Carregue apenas com o carregador especificado pelo fabricante.** Um carregador adequado para um tipo de bateria pode causar um incêndio se for utilizado com outra bateria.
- b. **Utilize ferramentas eléctricas apenas com baterias específicas.** A utilização de outras baterias pode dar

origem a risco de danos e incêndio.

- c. **Quando não utilizar a pilha, mantenha-a afastada de outros objectos metálicos, tais como cliques para papel, moedas, chaves, pregos, parafusos ou outros pequenos objectos metálicos que permitam fazer a ligação de um terminal para outro.** O curto-circuito de terminais das pilhas pode causar queimaduras ou incêndio.
- d. **Em condições abusivas, pode derramar líquido da pilha, devendo evitar o contacto. Se tocar acidentalmente no líquido, lave bem com água. Se o líquido entrar em contacto com os olhos, consulte um médico.** O líquido derramado da bateria pode causar irritação ou queimaduras.
6. **Assistência**
- a. **A sua ferramenta eléctrica só deve ser reparada por pessoal qualificado e só devem ser colocadas peças sobressalentes originais.** Desta forma, é garantida a segurança da ferramenta eléctrica.

Avisos de segurança adicionais para ferramentas eléctricas



Atenção! Avisos de segurança adicionais para berbequins e chaves de impacto

- ◆ **Utilize protecção auditiva com berbequins de percussão.** A exposição ao ruído pode causar perda auditiva.
- ◆ **Utilize o punho auxiliar fornecido com a ferramenta.** A perda de controlo pode causar lesões pessoais.
- ◆ **Segure a ferramenta eléctrica pelas áreas isoladas quando executar uma operação em que o fixador possa entrar em contacto com a cablagem oculta.** Os agrafos que entrem em contacto com um fio com tensão eléctrica poderão fazer com que as peças de metal expostas da ferramenta conduzam electricidade e electrocutem o utilizador.
- ◆ **Utilize grampos ou outro sistema prático para apoiar e fixar a peça numa plataforma estável.** Segurar a peça com a mão ou contra o corpo pode causar instabilidade e perda de controlo.
- ◆ Esta ferramenta não deve ser utilizada por pessoas (incluindo crianças) que apresentem capacidades físicas, sensoriais ou mentais reduzidas ou que não possuam os conhecimentos e a experiência necessários, excepto se forem vigiadas e instruídas acerca da utilização do aparelho por uma pessoa responsável pela sua segurança. As crianças deverão ser vigiadas para que não mexam no aparelho.
- ◆ A utilização adequada é descrita neste manual de instruções. A utilização de qualquer acessório ou a reali-

zação de qualquer operação com esta ferramenta que não se inclua no presente manual de instruções poderá representar um risco de ferimentos e/ou danos materiais.

Segurança de terceiros

- ◆ Este aparelho pode ser utilizado por crianças com 8 anos de idade ou mais e por pessoas que apresentem capacidades físicas, sensoriais ou mentais reduzidas ou que não possuam os conhecimentos e a experiência necessários, se forem vigiadas e instruídas acerca da utilização do aparelho de uma forma segura e entenderem os perigos envolvidos.
- ◆ As crianças não deverão mexer no aparelho. A limpeza e manutenção não deverão ser efectuadas por crianças sem supervisão.

Riscos residuais.

Podem surgir riscos residuais adicionais durante a utilização da ferramenta, que poderão não constar nos avisos de segurança incluídos. Estes riscos podem resultar de má utilização, uso prolongado, etc.

Mesmo com o cumprimento dos regulamentos de segurança relevantes e a implementação de dispositivos de segurança, alguns riscos residuais não podem ser evitados. Estes incluem:

- ◆ Ferimentos causados pelo contacto com peças em rotação/movimento.
- ◆ Ferimentos causados durante a troca de peças, lâminas ou acessórios.
- ◆ Ferimentos causados pela utilização prolongada de uma ferramenta. Quando utilizar uma ferramenta durante períodos prolongados, certifique-se de que faz pausas regularmente.
- ◆ Danos auditivos.
- ◆ Problemas de saúde causados pela inalação de poeiras resultantes da utilização da ferramenta (exemplo: trabalhos em madeira, especialmente carvalho, faia e MDF).

Vibração

Os valores de emissão de vibração declarados na secção de dados técnicos e na declaração de conformidade foram medidos de acordo com o método de teste padrão fornecido pela EN EN60745 e podem ser utilizados para comparar ferramentas. O valor de emissão de vibração declarado pode ainda ser utilizado numa avaliação preliminar de exposição. **Atenção!** O valor de emissão de vibração durante a utilização real da ferramenta eléctrica pode ser diferente do valor declarado, dependendo da forma como a ferramenta é utilizada. O nível de vibração pode aumentar acima do nível indicado.

Quando avaliar a exposição da vibração para determinar as medidas de segurança exigidas pela Directiva 2002/44/CE

para proteger pessoas que utilizem regularmente ferramentas eléctricas na sua actividade profissional, deve ser considerada uma estimativa de exposição de vibração, as condições reais de utilização e o modo de utilização da ferramenta, incluindo ainda todas as partes do ciclo de funcionamento, como os períodos de inactividade e espera da ferramenta, para além do tempo de funcionamento.

Etiquetas colocadas na ferramenta

Os seguintes símbolos, assim como o código de data, estão indicados na ferramenta:



Atenção! Para reduzir o risco de ferimentos, o utilizador deve ler o manual de instruções.

Instruções de segurança adicionais para baterias e carregadores

Baterias

- ◆ Nunca tente abrir a bateria, seja qual for o motivo.
- ◆ Não exponha as pilhas à água.
- ◆ Não armazene em locais onde a temperatura possa exceder os 40 °C.
- ◆ Carregue apenas a temperaturas ambiente entre 10 °C e 40 °C.
- ◆ Carregue apenas com o carregador fornecido com a ferramenta.
- ◆ Ao eliminar as pilhas, siga as instruções indicadas na secção “Protecção do ambiente”.



Não tente carregar baterias danificadas.

Carregadores

- ◆ Utilize o seu carregador Stanley Fat Max apenas para carregar a bateria na ferramenta respectiva. Outras baterias podem rebentar, provocando ferimentos e danos.
- ◆ Nunca tente carregar baterias não recarregáveis.
- ◆ Substitua os cabos defeituosos imediatamente.
- ◆ Não exponha o carregador à água.
- ◆ Não abra o carregador.
- ◆ Não manipule o interior do carregador.



O carregador deverá ser utilizado apenas em espaços interiores.



Antes da utilização, leia o manual de instruções.

Segurança eléctrica



O seu carregador tem isolamento duplo. Por esse motivo, não precisa de ligação à terra. Verifique sempre se a tensão de alimentação corresponde à tensão indicada na placa sinalética. Nunca tente substituir a unidade do carregador por uma tomada de alimentação normal.

- ◆ Se o cabo de alimentação estiver danificado, terá de ser substituído pelo fabricante ou por um centro de assistência autorizado Stanley Fat Max para evitar acidentes.

Características

Esta ferramenta inclui algumas ou todas as características seguintes.

1. Interruptor de velocidade variável
2. Corrediça de avanço/recuo
3. Mandril
4. Anel do mandril
5. Bateria
6. Luz de trabalho LED
7. Selector de velocidade

Fig. A

8. Carregador
9. Indicador de carga

Montagem

Atenção! Antes de montar, remova a bateria da ferramenta.

Colocação e remoção da bateria (Fig. B)

- ◆ Para colocar a bateria (5), alinhe-a com o receptáculo na ferramenta. Deslize a bateria para dentro do receptáculo e empurre-a até que se encaixe devidamente.
- ◆ Para remover a bateria, pressione o botão de desbloqueio (5a) enquanto retira, ao mesmo tempo, a bateria do receptáculo.

Colocar e remover uma broca ou ponta de aparafusadora

Esta ferramenta inclui um mandril sem chave para facilitar a troca de pontas.

- ◆ Bloqueie a ferramenta colocando a corrediça de avanço/recuo (2) na posição central.
- ◆ Segure o mandril (3) e rode-o na direcção contrária aos ponteiros do relógio, visto a partir da extremidade do mandril.
- ◆ Coloque o veio de pontas no mandril.
- ◆ Aperte firmemente o mandril rodando-o na direcção dos ponteiros do relógio, visto a partir da extremidade do mandril.

Atenção! Não tente apertar brocas (ou qualquer outro acessório) segurando a parte frontal do mandril e rodando a ferramenta.

Nestas condições pode danificar o mandril ou provocar ferimentos pessoais ao trocar acessórios.

Utilização

Atenção! Não altere o ritmo de funcionamento da ferramenta. Não sobrecarregue.

Carregar a bateria (fig. A)

A bateria precisa de ser carregada antes da primeira utilização e sempre que não conseguir produzir energia suficiente em trabalhos anteriormente feitos sem dificuldade. A bateria pode aquecer durante o carregamento. Isto é normal e não indica um problema.

Atenção! Não carregue a bateria a temperaturas ambiente inferiores a 10 °C ou superiores a 40 °C. Temperatura de carregamento recomendada: aproximadamente 24 °C.

Nota: O carregador não irá carregar a bateria se a temperatura das células for inferior a 10 °C ou superior a 40 °C.

A bateria não deve ser retirada do carregador para que este comece a carregar automaticamente quando a temperatura das células aquecer ou arrefecer.

- ◆ Para carregar a bateria (5), insira-a no carregador (8). A bateria apenas pode ser colocada no carregador de uma forma. Não force o movimento de corte. Certifique-se de que a bateria está completamente introduzida no carregador.
- ◆ Ligue o carregador e ligue-o à corrente.

O indicador de carga (9) ficará intermitente a verde de forma contínua (lentamente).

A carga estará concluída quando o indicador de carga (9) ficar verde de forma contínua. O carregador e a bateria podem ser deixados ligados indefinidamente com o LED aceso. O LED irá mudar para o estado de intermitente a verde (a carregar) à medida que o carregador ocasionalmente preenche a carga da bateria. O indicador de carga (9) ficará aceso enquanto a bateria estiver fixa ao carregador ligado na tomada.

- ◆ As baterias descarregadas devem ser carregadas no espaço de 1 semana. A vida útil de uma bateria diminuirá consideravelmente se for guardada sem carga.

Deixar a bateria no carregador

O carregador e a bateria podem permanecer ligados com o LED aceso indefinidamente. O carregador irá manter a bateria completamente carregada.

Diagnóstico do carregador

Se o carregador detectar uma bateria fraca ou danificada, o indicador de carga (9) piscará rapidamente a vermelho.

Proceda da seguinte forma:

- ◆ Insira novamente a bateria (5).
- ◆ Se os indicadores de carga continuarem a piscar rapidamente a vermelho, utilize uma bateria diferente para determinar se o processo de carga está a funcionar correctamente.
- ◆ Se a bateria de substituição carregar correctamente, então a bateria original está defeituosa e deve ser entregue num centro de serviço para reciclagem.
- ◆ Se a bateria nova der a mesma indicação que a bateria original, leve o carregador até um centro de assistência autorizado para ser testado.

Nota: determinar se a bateria está defeituosa pode demorar até 60 minutos. Se a bateria estiver demasiado quente ou fria, o LED piscará alternadamente de modo rápido e lento, piscando uma vez a cada velocidade e repetindo o processo.

Seleção da direcção de rotação (Fig. C)

Para aparafusar, utilize a rotação para a frente (no sentido dos ponteiros do relógio). Para desaparafusar, utilize a rotação para trás (no sentido contrário ao dos ponteiros do relógio).

- ◆ Para seleccionar a rotação para a frente, empurre a patilha para a frente/para trás (2) para a posição da esquerda.
- ◆ Para seleccionar a rotação para trás, pressione a patilha para a frente/para trás para a direita.
- ◆ Para bloquear a ferramenta, coloque a patilha para trás/para a frente na posição central.

Selecionar o binário (fig. E)

Esta ferramenta possui um mandril para definir o binário para as diversas aplicações de perfuração e aparafusamento. Parafusos grandes e materiais duros requerem uma definição de binário mais elevada do que parafusos pequenos e materiais mais macios. Para a definição do símbolo, consulte a lista a abaixo

- ◆ Para perfurar madeira, metal e plásticos, coloque o botão de ajuste de binário (4) no símbolo b.
- ◆ Para apertar parafusos, coloque o mandril de ajuste na posição pretendida. Se ainda não souber qual a posição apropriada, proceda da seguinte forma.
 - ◆ Defina o botão de ajuste de binário (4) na posição de binário mais baixa.
 - ◆ Aperte o primeiro parafuso.
 - ◆ Se o mecanismo forçar antes de atingir o resultado pretendido, aumente a definição do botão e continue a apertar o parafuso. Repita até atingir a definição correcta. Utilize esta definição para os restantes parafusos.

Selector de velocidade (fig. D)

- ◆ Para perfurar aço e para aparafusar, deslize o selector de velocidade (7) na direcção da parte de trás da ferramenta (1ª posição).
- ◆ Para perfurar outros materiais diferentes de aço, deslize o selector de velocidade (7) na direcção da parte da frente da ferramenta (2ª posição).

Perfurar/aparafusar

- ◆ Selecciona a rotação de avanço ou recuo utilizando a corrediça de avanço/recuo (2).
- ◆ Para ligar a ferramenta, prima o interruptor para ligar/desligar (1). A velocidade da ferramenta depende da intensidade da pressão no botão.
- ◆ Para desligar a ferramenta, solte o interruptor.

Luz de trabalho LED

A luz de trabalho LED (6) é activada automaticamente quando o gatilho é premido. A luz de trabalho LED acende-se quando o gatilho é parcialmente libertado, antes de a unidade entrar em funcionamento.

Sugestões para uma utilização óptima

Perfuração

- ◆ Aplique sempre uma pressão ligeira em linha recta com a broca.
- ◆ Pouco antes de a ponta da broca alcançar o lado oposto do material, reduza a pressão exercida na ferramenta.
- ◆ Utilize um bloco de madeira para proteger materiais que possam lascar.
- ◆ Utilize brocas espada para perfurar orifícios de grande diâmetro em madeira.
- ◆ Utilize brocas HSS para perfurar metal.
- ◆ Utilize brocas para pedra para perfurar pedra macia.
- ◆ Utilize um lubrificante para perfurar metais diferentes de ferro fundido e latão.
- ◆ Para melhor precisão, efectue um pequeno furo no centro do orifício a perfurar.

Aparafusar

- ◆ Utilize sempre o tipo e tamanho de pontas para aparafusadora correctos.
- ◆ Se os parafusos forem de difícil aperto, aplique uma pequena quantidade de líquido de lavagem ou sabão como lubrificante.
- ◆ Segure sempre a ferramenta e a ponta de aparafusadora em linha recta com o parafuso.

Manutenção

A sua ferramenta Stanley Fat Max foi concebida para funcio-

nar por um longo período de tempo com uma manutenção mínima. Uma utilização continuamente satisfatória depende de uma manutenção apropriada da ferramenta e de uma limpeza regular.

O seu carregador não necessita de manutenção para além da limpeza regular.

Atenção! Antes de ser realizada qualquer operação de manutenção na ferramenta, remova a bateria da ferramenta. Desligue o carregador antes de o limpar.

- ◆ Limpe regularmente as saídas de ventilação da ferramenta e o carregador com uma escova suave ou um pano seco.
- ◆ Limpe regularmente o compartimento do motor com um pano húmido. Não utilize produtos de limpeza abrasivos ou à base de solventes.
- ◆ Abra o mandril regularmente e sacuda para remover qualquer vestígio de pó do seu interior.

Protecção do ambiente



Faça uma recolha de lixo selectiva. Os produtos e as baterias assinaladas com este símbolo não devem ser eliminados juntamente com o lixo doméstico normal.

Os produtos e as baterias contêm materiais que podem ser recuperados ou reciclados, reduzindo assim a necessidade de matérias-primas.

Recicle os produtos eléctricos e as baterias de acordo com as disposições locais. Estão disponíveis mais informações em www.2helpU.com

Dados técnicos

		KFMCD011
Tensão	V _{CC}	10,8
Velocidade sem carga	Min. ⁻¹	0-400, 0-1500
Binário máx. (Classificação PTI)	Nm	26
Capacidade do mandril	mm	10
Capacidade máx. de perfuração Aço/madeira	mm	10/20
Peso	kg	1,0

Carregador		N472239/N472243
Tensão de entrada	V _{AC}	230
Voltagem de Saída	V _{CC}	22
Corrente	A	1,25
Tempo de carga aprox.	min	70 (1,5 AH)

Bateria		FMC086L
Tensão	V_{CC}	10,8
Capacidade	Ah	1,5
Tipo		lões de lítio

Nível de pressão acústica de acordo com a norma EN 60745:

Pressão acústica (L_{pA}) 82,0 dB(A), variabilidade (K) 3 dB(A)

Potência acústica (L_{WA}) 93 dB(A), variabilidade (K) 3 dB(A)

Valores totais de vibração (soma vectores triax) de acordo com a EN 60745:

Perfurar em metal (a_{hD}) 1,1 m/s^2 , imprecisão (K) 1,5 m/s^2
 Apertar parafusos sem percussão (a_{h1}) 0,9 m/s^2 imprecisão (K) 1,5 m/s^2

Declaração de conformidade CE

DIRECTIVA "MÁQUINAS"



Berbequim sem fio/aparafusadora - KFMCD011

A Stanley Europe declara que os produtos descritos em "dados técnicos" estão em conformidade com as seguintes normas:

2006/42/CE, EN 60745-1:2009 +A1:2010,
 EN 60745-2-1:2010, EN 60745-2-2:2010

Estes produtos estão também em conformidade com a Directiva 2014/30/UE e 2011/65/UE. Para obter mais informações, contacte a Stanley Europe no endereço indicado ou consulte a parte posterior do manual.

O signatário é responsável pela compilação do ficheiro técnico e efectua esta declaração em nome da Stanley Europe.

Ray Laverick
 Director de Engenharia
 Stanley Europe, Egide Walschaertsstraat14-18,
 2800 Mechelen, Bélgica
 16/05/2016

Garantia

A Stanley Fat Max confia na qualidade dos seus produtos e oferece aos clientes uma garantia de 12 meses a partir da data de compra. Esta garantia é um complemento dos seus direitos estabelecidos por lei, não os prejudicando de forma alguma. A garantia é válida nos Estados-membros da União Europeia e nos países-membros da Zona Europeia de Comércio Livre.

Para accionar a garantia, esta deve estar em conformidade com os termos e condições da Stanley Fat Max e terá de apresentar comprovativos de compra ao vendedor ou a um agente de reparação autorizado. Os termos e condições da garantia de 1 ano da Stanley Fat Max e a localização do agente de reparação autorizado mais próximo podem ser obtidos na Internet em www.2helpU.com ou contactando uma filial da Stanley Fat Max, cuja morada está indicada neste manual.

Visite o nosso Website www.blackanddecker.co.uk para efectuar o registo o seu novo produto Stanley Fat Max e receber actualizações sobre novos produtos e ofertas especiais.

Przeznaczenie

Opisywana wiertarka/wkrętarka Stanley Fat Max KFMCD011 przeznaczona do wkręcania wkrętów i wiercenia w drewnie, metalu i tworzywach sztucznych. To narzędzie jest przeznaczone do użytku profesjonalnego oraz prywatnego, innego niż profesjonalny.

Zasady bezpiecznej pracy

Ogólne wskazówki dotyczące bezpiecznej pracy elektronarzędziami



Ostrzeżenie! Zapoznać się ze wszystkimi ostrzeżeniami dotyczącymi bezpiecznej pracy oraz z instrukcją obsługi. Niestosowanie się do ostrzeżeń i zaleceń zawartych w tej instrukcji obsługi może być przyczyną porażenia prądem elektrycznym, pożaru i/lub poważnego zranienia.

Zachować wszystkie instrukcje i informacje dotyczące bezpiecznej pracy, aby móc korzystać z nich w przyszłości. Pojęcie „elektronarzędzie” używane w niniejszej instrukcji, oznacza narzędzie zasilane z sieci elektrycznej (przewodem zasilającym) lub akumulatorami (beprzewodowe).

1. Bezpieczeństwo w miejscu pracy

- a. **Miejsce pracy musi być czyste i dobrze oświetlone.** Miejsca ciemne i takie, w których panuje nieporządek, stwarzają ryzyko wypadku.
- b. **Nie wolno używać elektronarzędzi w strefach zagrożenia wybuchem, w pobliżu palnych cieczy, gazów, czy pyłów.** Elektronarzędzia mogą wytworzyć iskry powodujące zapłon pyłów lub oparów.
- c. **W czasie pracy elektronarzędziami nie pozwalać na przebywanie w pobliżu dzieci i innych osób postronnych.** Chwila nieuwagi może spowodować utratę kontroli nad narzędziem.

2. Ochrona przed porażeniem prądem elektrycznym

- a. **Gniazdo musi być dostosowane do wtyczki elektronarzędzia. Nie wolno przerabiać wtyczek. Nie używać żadnych łączników lub rozdzielaczy elektrycznych z uziemionymi elektronarzędziami.** Nieprzerabiane wtyczki i odpowiednie gniazda zmniejszają ryzyko porażenia prądem elektrycznym.
- b. **Należy unikać bezpośredniej styczności z uziemionymi lub zerowanymi powierzchniami, takimi jak rurociągi, grzejniki, kuchenki i lodówki.** Ryzyko porażenia prądem elektrycznym wzrasta, jeśli Twoje ciało jest uziemione.
- c. **Nie narażać elektronarzędzi na działanie deszczu lub zwiększonej wilgotności.** Dostanie się wody do wnętrza elektronarzędzia zwiększa ryzyko porażenia prądem elektrycznym.

- d. **Nie wolno ciągnąć za przewód zasilający. Nie wolno ciągnąć, podnosić ani wyciągać wtyczki z gniazda, poprzez ciągnięcie za kabel zasilający narzędzia. Chronić kabel zasilający przed kontaktem z gorącymi elementami, olejami, ostrymi krawędziami i ruchomymi częściami.** Uszkodzenie lub zapłatanie przewodu zasilającego zwiększa ryzyko porażenia prądem elektrycznym.
- e. **W czasie eksploatacji elektronarzędzi poza pomieszczeniami zamkniętymi należy używać przystosowanych do tego przedłużaczy.** Korzystanie z przedłużaczy przystosowanych do użycia na zewnątrz budynków zmniejsza ryzyko porażenia prądem.
- f. **Jeśli zachodzi konieczność używania narzędzia w wilgotnym otoczeniu, należy używać źródła zasilania zabezpieczonego wyłącznikiem różnicowoprądowym.** Stosowanie wyłączników różnicowoprądowych zmniejsza ryzyko porażenia prądem elektrycznym.

3. Środki ochrony osobistej

- a. **W czasie pracy elektronarzędziem zachować czujność, patrzeć uważnie i kierować się zdrowym rozsądkiem. Nie używać elektronarzędzia w stanie zmęczenia, pod wpływem narkotyków, alkoholu lub leków.** Nawet chwila nieuwagi w czasie pracy elektronarzędziem może doprowadzić do poważnych obrażeń ciała.
- b. **Używać środków ochrony osobistej. Zawsze zakładać okulary ochronne.** Używanie, w miarę potrzeb, środków ochrony osobistej, takich jak maska przeciwpyłowa, buty ochronne z antypoślizgową podeszwą, kask czy ochronniki słuchu, zmniejsza ryzyko odniesienia uszczerbku na zdrowiu.
- c. **Zapobiegać przypadkowemu włączeniu. Przed przyłączeniem do zasilania i/lub włożeniem akumulatorów oraz przed podniesieniem i przenoszeniem narzędzia, upewnić się, że wyłącznik znajduje się w pozycji „wyłączone”.** Trzymanie palca na wyłączniku podczas przenoszenia lub podłączenie włączonego narzędzia do zasilania łatwo staje się przyczyną wypadków.
- d. **Przed włączeniem elektronarzędzia usunąć wszelkie klucze lub narzędzia do regulacji.** Pozostawienie klucza lub narzędzia do regulacji połączonego z częściami wirującymi elektronarzędzia może spowodować uszkodzenie ciała.
- e. **Nie wychylać się nadmiernie. Przez cały czas zachowywać solidne oparcie nóg i równowagę.** Dzięki temu ma się lepszą kontrolę nad elektronarzędziem w nieoczekiwanych sytuacjach.
- f. **Zakładać odpowiednią odzież. Nie nosić luźnych ubrań ani biżuterii. Trzymać włosy, ubranie i rękawice z dala od ruchomych elementów.**

Luźne ubranie, biżuteria lub długie włosy mogą zostać pochwycone przez ruchome części.

- g. Jeśli sprzęt jest przystosowany do przyłączenia urządzeń odprowadzających i zbierających pył, upewnić się, czy są one przyłączone i właściwie użytkowane.** Używanie takich urządzeń może zmniejszać zagrożenia związane z obecnością pyłów.

4. Obsługa i konserwacja elektronarzędzi

- a. Nie przeciążać elektronarzędzia. Używać elektronarzędzi odpowiednich do rodzaju wykonywanej pracy.** Dzięki odpowiednim elektronarzędziom wykona się pracę lepiej i w sposób bezpieczny, w tempie, do jakiego narzędzie zostało zaprojektowane.
- b. Nie wolno używać elektronarzędzia z zepsutym wyłącznikiem, który nie pozwala na sprawne włączanie i wyłączanie.** Narzędzie, którego nie można kontrolować za pomocą włącznika, nie może być używane i musi zostać naprawione.
- c. Przed przystąpieniem do regulacji, wymiany akcesoriów oraz przed schowaniem elektronarzędzia, należy odłączyć wtyczkę od źródła zasilania i/lub odłączyć akumulator od urządzenia.** Takie środki zapobiegawcze zmniejszają ryzyko przypadkowego uruchomienia elektronarzędzia.
- d. Nie używane elektronarzędzie przechowywać poza zasięgiem dzieci i nie dopuszczać osób nie znających elektronarzędzia lub tej instrukcji do posługiwania się elektronarzędziem.** Elektronarzędzia są niebezpieczne w rękach niewprawnego użytkownika.
- e. Regularnie dokonywać konserwacji elektronarzędzi. Sprawdzić, czy ruchome części są właściwie połączone i zamocowane, czy części nie są uszkodzone oraz skontrolować wszelkie inne elementy mogące mieć wpływ na pracę elektronarzędzia. Wszystkie uszkodzenia należy naprawić przed rozpoczęciem użytkowania.** Wiele wypadków jest spowodowanych źle utrzymanymi elektronarzędziami.
- f. Dbać o czystość narzędzi i ostrość elementów tnących.** Prawidłowo utrzymane narzędzia do cięcia o ostrych krawędziach tnących rzadziej się zakleszczają i są łatwiejsze do kontrolowania.
- g. Elektronarzędzi, akcesoriów i końcówek itp., należy używać zgodnie z instrukcją obsługi, uwzględniając warunki i rodzaj wykonywanej pracy.** Użycie elektronarzędzi niezgodnie z przeznaczeniem może być bardzo niebezpieczne.

5. Użytkowanie i konserwacja narzędzi zasilanych akumulatorowo

- a. Używać wyłącznie ładowarki zalecanej przez producenta.** Użycie ładowarki przeznaczonej do ładowania jednego typu akumulatora do ładowania innego typu akumulatora może stać się przyczyną pożaru.
- b. Do zasilania elektronarzędzi należy używać właściwych rodzajów akumulatorów.** Użycie innych akumulatorów stwarza ryzyko zranienia i pożaru.
- c. Nie używane akumulatory należy przechowywać z dala od metalowych przedmiotów, takich jak spinacze biurowe, monety, klucze, gwoździe, wkręty, itp., które mogłyby doprowadzić do zwarcia biegunów.** Zwarcie styków może być przyczyną oparzenia lub pożaru.
- d. W przypadku zniszczenia płyn może wypłynąć z akumulatora; unikać kontaktu z tą substancją. W razie styczności, obficie przemywać wodą. W przypadku dostania się płynu do oczu, dodatkowo należy zgłosić się do lekarza.** Płyn wydostający się z akumulatorów może powodować podrażnienia lub oparzenia.
- #### 6. Naprawy
- a. Powierzać naprawy elektronarzędzi wyłącznie osobom wykwalifikowanym, używającym identycznych części zamiennych.** Zagwarantuje to bezpieczeństwo elektronarzędzia.

Bezpieczne użytkowanie elektronarzędzi - wskazówki dodatkowe



Ostrzeżenie! Dodatkowe wskazówki dotyczące bezpiecznej pracy wiertarkami i wkrętarkami udarowymi

- ◆ **W czasie pracy wiertarką udarową należy nosić ochronę słuchu.** Ekspozycja na hałas może powodować utratę słuchu.
- ◆ **Używać dostarczonych razem z narzędziem dodatkowych uchwytów.** Utrata kontroli nad narzędziem może spowodować uszkodzenie ciała.
- ◆ **Trzymać elektronarzędzie tylko za izolowane uchwyty, jeśli wykonuje się pracę w miejscu, gdzie może dojść do zetknięcia elementu złącznego z ukrytymi przewodami.** Zetknięcie elementu złącznego z przewodem pod napięciem może spowodować pojawienie się napięcia na odsłoniętych metalowych częściach obudowy i porażenie prądem operatorem.
- ◆ **Używać zacisków lub innego wygodnego sposobu zamocowania obrabianego elementu do stabilnego podłoża.** Trzymanie obrabianego elementu w rękach lub oparcie go o ciało nie daje dostatecznej stabilizacji i może spowodować utratę kontroli nad narzędziem.

- ◆ Opisywane narzędzie nie jest przeznaczone do użycia przez osoby o obniżonych możliwościach fizycznych, ruchowych lub umysłowych (także dzieci) lub o zbyt małej wiedzy i doświadczeniu, jeśli nie zostały one przeszkolone lub nie pozostają pod opieką osoby odpowiedzialnej za ich bezpieczeństwo. Należy pilnować dzieci, aby nie bawiły się urządzeniem.
- ◆ Przeznaczenie urządzenia opisane jest w niniejszej instrukcji obsługi. Używanie jakichkolwiek akcesoriów lub wykonywanie prac niezgodnych z przeznaczeniem opisywanym w instrukcji obsługi, może powodować niebezpieczeństwo uszkodzenia ciała i/lub uszkodzenia mienia.

Bezpieczeństwo osób postronnych

- ◆ To urządzenie może być używane przez dzieci powyżej 8 roku życia i osoby o ograniczonych zdolnościach fizycznych, czuciowych lub umysłowych lub nie posiadające doświadczenia i wiedzy, tylko pod nadzorem lub po przeszkoleniu w zakresie bezpiecznego użytkowania urządzenia i zrozumieniu związanych z tym zagrożeń.
- ◆ Nie wolno pozwalać dzieciom bawić się urządzeniem. Czyszczenia i konserwacji wykonywanej przez użytkownika nie wolno przeprowadzać dzieciom bez nadzoru.

Pozostałe zagrożenia.

W czasie pracy narzędziem mogą powstać zagrożenia, które nie zostały uwzględnione w załączonej instrukcji dotyczącej bezpiecznego użytkowania. Zagrożenia te mogą wynikać z niewłaściwego użytkowania, zbyt intensywnej eksploatacji lub innych przyczyn.

Nawet w przypadku przestrzegania zasad bezpiecznej pracy i stosowania środków ochronnych, nie jest możliwe uniknięcie pewnych zagrożeń. Należą do nich:

- ◆ Zranienia wynikające z dotknięcia wirujących/ruchomych elementów.
- ◆ Obrażenia ciała w czasie wymiany części, ostrzy lub akcesoriów.
- ◆ Zranienia związane ze zbyt długotrwałym używaniem narzędzia. Pracując przez dłuższy czas jakikolwiek narzędziem, należy robić regularne przerwy.
- ◆ Uszkodzenie słuchu.
- ◆ Zagrożenie dla zdrowia spowodowane wdychaniem pyłu wytwarzanego podczas użytkowania urządzenia (np.: podczas pracy w drewnie, szczególnie dębowym, bukowym oraz MDF).

Drgania

Podawana w tabeli danych technicznych oraz w deklaracji zgodności z normami wartość drgań (wibracji), została zmierzona zgodnie ze standardową procedurą zawartą w normie EN60745. Informacja ta może służyć do porównywania tego narzędzia z innymi.

Deklarowana wartość emitowanych drgań może również służyć do przewidywania stopnia narażenia użytkownika na wibracje.

Ostrzeżenie! Chwilowa siła drgań, występująca w czasie pracy elektronarzędziem, może odbiegać od podawanych wartości, w zależności od sposobu użytkowania urządzenia. Poziom drgań może przekroczyć podawaną wartość.

Przy określaniu ekspozycji na drgania, w celu podjęcia środków ochrony osób zawodowo użytkujących elektronarzędzia, zgodnie z dyrektywą 2002/44/WE, należy uwzględnić rzeczywiste warunki i rodzaj wykonywanej pracy. Także okresy przestoju i pracy bez obciążenia.

Symbole na urządzeniu

Na narzędziu znajdują się następujące symbole oraz kod daty:



Ostrzeżenie! Aby zminimalizować ryzyko zranienia, użytkownik musi zapoznać się z instrukcją obsługi.

Dodatkowe wskazówki dotyczące bezpiecznego użytkowania akumulatorów i ładowarek

Akumulatory

- ◆ Pod żadnym pozorem nie wolno otwierać akumulatorów.
- ◆ Nie wolno wystawiać akumulatorów na działanie wody.
- ◆ Nie wolno przechowywać w miejscach, w których temperatura może przekroczyć 40°C.
- ◆ Ładować tylko w zakresie temperatur od 10°C do 40°C.
- ◆ Do ładowania używać wyłącznie fabrycznie dołączonej ładowarki.
- ◆ Utylizację akumulatorów należy przeprowadzić zgodnie z instrukcją podaną w rozdziale „Ochrona środowiska”.



Nie wolno ładować uszkodzonych akumulatorów.

Ładowarki

- ◆ Ładowarka Stanley Fat Max służy wyłącznie do ładowania akumulatora w narzędziu, z którym została dostarczona. Ładowanie innych akumulatorów może spowodować ich rozsadzenie i być przyczyną zranienia oraz innych szkód.
- ◆ Nie wolno ładować baterii jednorazowego użytku, nie przeznaczonych do wielokrotnego ładowania
- ◆ Wadliwe kable zasilające należy natychmiast wymienić.
- ◆ Nie wystawiać ładowarki na działanie wody.
- ◆ Nie otwierać ładowarki.
- ◆ Nie podłączać do ładowarki mierników.



Ładowarka przeznaczona jest wyłącznie do użycia wewnątrz pomieszczeń.



Przed użyciem należy przeczytać instrukcję obsługi.

Ochrona przed porażeniem prądem elektrycznym



Ładowarka ma podwójną izolację, dlatego też przewód uziemiający nie jest potrzebny. Należy zawsze upewnić się, czy napięcie zasilania odpowiada napięciu podanemu na tabliczce znamionowej. Nigdy nie próbować zastępować ładowarki zwykłą wtyczką zasilania sieciowego.

- ◆ Ze względów bezpieczeństwa wymianę uszkodzonego przewodu zasilającego należy powierzyć producentowi lub autoryzowanemu centrum serwisowemu Stanley Fat Max.

Wyposażenie

Opisywane urządzenie wyposażone jest w kilka lub wszystkie z poniższych elementów.

1. Włącznik z regulacją obrotów
2. Przelącznik kierunku obrotów
3. Uchwyt narzędziowy
4. Kolnierz uchwytu
5. Akumulator
6. Oświetlenie LED
7. Regulator prędkości

Rys. A

8. Ładowarka
9. Wskaźnik naładowania

Montaż

Ostrzeżenie! Przed montażem wyjąć akumulator z narzędzia.

Wkładanie i wyjmowanie akumulatora (rys. B)

- ◆ W celu zamontowania akumulatora (5) ustawić go w gnieździe narzędzia. Wsunąć akumulator w gniazdo i wciskać, aż do zablokowania akumulatora w zatrzasku.
- ◆ W celu wyjęcia akumulatora nacisnąć przyciski zwalniające (5a), wyciągając jednocześnie akumulator z gniazda.

Montaż i demontaż wiertła lub końcówki wkrętarki

Narzędzie jest wyposażone w uchwyt bezkluczkowy, umożliwiający łatwą wymianę końcówek.

- ◆ Zablokować narzędzie, ustawiając przelącznik kierunku obrotów (2) w położeniu środkowym.
- ◆ Chwycić uchwyt (3) i obracać nim przeciwnie do wskazówek zegara, patrząc od końca uchwytu.
- ◆ Wsunąć trzpień wiertła w uchwyt.
- ◆ Mocno dokręcić uchwyt, obracając nim zgodnie ze wskazówkami zegara, patrząc od końca uchwytu.

Ostrzeżenie! Nie podejmować prób dokręcenia wiertel (lub innych akcesoriów) poprzez chwytywanie za przednią część uchwytu i włączanie narzędzia.

Może dojść do uszkodzenia uchwytu i obrażeń ciała podczas wymiany akcesoriów w taki sposób.

Eksploatacja

Ostrzeżenie! Uwzględniać tempo pracy urządzenia. Nie przeciążać narzędzia.

Ładowanie akumulatorów (rys. A)

Akumulator należy naładować przed pierwszym użyciem oraz zawsze wtedy, gdy jego moc spada i jest niewystarczająca do wykonywania przeciętnych zadań. W trakcie ładowania temperatura akumulatora może wzrastać; jest to normalne zjawisko i nie wskazuje na wystąpienie jakiegokolwiek problemu.

Ostrzeżenie! Nie wolno ładować akumulatorów przy temperaturze otoczenia poniżej 10°C lub powyżej 40°C. Zalecana temperatura ładowania to około 24°C.

Uwaga: Ładowarka nie będzie ładować akumulatora, jeśli temperatura ogniw wynosi poniżej około 10°C lub powyżej 40°C.

Akumulator należy pozostawić w ładowarce, a ładowarka rozpocznie ładowania automatycznie, gdy temperatura ogniw odpowiednio wzrośnie lub spadnie.

- ◆ W celu naładowania akumulatora (5), włożyć go do ładowarki (8). Kształt akumulatora umożliwi jego włożenie do ładowarki tylko w prawidłowym położeniu. Nie przeciążać urządzenia. Upewnić się, że akumulator jest prawidłowo zamocowany w ładowarce.
- ◆ Włączyć ładowarkę do zasilania i włączyć przelącznik główny.

Kontrolka ładowania (9) będzie błyskać kolorem zielonym (powoli).

Zakończenie ładowania jest sygnalizowane ciągłym świeceniem kontrolki (9). Dopuszczalne jest pozostawienie w ładowarce naładowanego akumulatora ze świecą diodą LED. Od czasu do czasu zielona dioda będzie błyskać, co oznacza doładowywanie akumulatora. Kontrolka (9) będzie świecić tak długo, jak akumulator będzie podłączony do włączonej do sieci ładowarki.

- ◆ Rozładowane akumulatory naładować w przeciągu jednego tygodnia. Przechowywanie rozładowanych akumulatorów przez dłuższy okres znacznie skraca ich żywotność.

Pozostawianie akumulatora w ładowarce

Dopuszczalne jest pozostawienie akumulatora w ładowarce z włączoną diodą na stałe. Ładowarka będzie utrzymywać akumulator w stanie pełnego naładowania.

Diagnostyka ładowarki

W przypadku wykrycia przez ładowarkę niskiej sprawności lub uszkodzenia akumulatora, kontrolka ładowania (9) będzie błyskać kolorem czerwonym z dużą częstotliwością. W takim przypadku należy:

- ◆ Wyjąć i włożyć akumulator (5).
- ◆ Jeżeli kontroli ładowania nadal błyskają czerwonym kolorem z dużą częstotliwością, zastosować inny akumulator w celu sprawdzenia poprawności procesu ładowania.
- ◆ Jeżeli inny egzemplarz akumulatora jest ładowany prawidłowo, uprzednio stosowany akumulator jest uszkodzony i należy go zwrócić do serwisu w celu jego prawidłowego recyklingu.
- ◆ Jeżeli inny egzemplarz akumulatora powoduje te same objawy, co akumulator stosowany uprzednio, zlecić kontrolę ładowarki w autoryzowanym serwisie.

Uwaga: Stwierdzenie uszkodzenia akumulatora może zająć około 60 minut. Zbyt wysoka lub zbyt niska temperatura akumulatora spowoduje naprzemienne błyskanie kontrolki LED z dużą i z małą prędkością.


Wybór kierunku obrotów (rys. C)

Do dokręcania należy ustawić obroty w prawo (zgodne z ruchem wskazówek zegara). Do wykręcania należy ustawić obroty w lewo (przeciwnie do ruchu wskazówek zegara).

- ◆ Aby ustawić obroty w prawo, wcisnąć przełącznik kierunku obrotów (2) w lewo.
- ◆ Aby ustawić obroty w lewo, wcisnąć przełącznik kierunku obrotów w prawo.
- ◆ Aby zablokować narzędzie, ustawić przełącznik kierunku obrotów w pozycji środkowej.

Wybór momentu obrotowego (rys. E)

To narzędzie jest wyposażone w pierścien pozwalający na ustawianie momentu obrotowego dla potrzeb różnych zastosowań w zakresie wkręcania i wiercenia. Duże śruby oraz obrabiane elementy o dużej twardości wymagają zastosowania wyższego momentu niż mniejsze śruby oraz elementy z miękkiego materiału. Opis znaczenia symboli znajduje się na poniższej liście

- ◆ W celu wiercenia w drewnie, metalu i tworzywach sztucznych, ustaw pierścien regulacji momentu obrotowego (4) na symbol .
- ◆ W przypadku wkręcania śrub ustawić pierścien w żdanym położeniu. Jeżeli prawidłowe ustawienie nie jest znane, zastosować następującą procedurę.
 - ◆ Ustawić pierścien regulacji momentu obrotowego (4) w położeniu najniższego momentu.
 - ◆ Dokręcić pierwszą śrubę.
 - ◆ Jeżeli przed całkowitym dokręceniem śruby sprzęgło zacznie grzechać, zwiększyć moment przez odpowiednie ustawienie pierścienia i dokręcić śrubę. Powtarzać ten krok, aż do uzyskania odpowiedniego ustawienia. Wykorzystać tak ustalone ustawienie do dokręcenia pozostałych śrub.

Regulator prędkości (rys. D)

- ◆ W przypadku wiercenia w metalu oraz wkręcania,

przesunąć regulator prędkości (7) w stronę tylnej części narzędzia (1 bieg).

- ◆ W przypadku wiercenia w innych materiałach niż stal, przesunąć regulator prędkości (7) w stronę przedniej części narzędzia (2 bieg).

Wiercenie/wkręcanie

- ◆ Wybrać kierunek obrotów za pomocą przełącznika kierunku obrotów (2).
- ◆ Aby włączyć narzędzie, nacisnąć włącznik (1). Prędkość obrotowa zależy od głębokości wciśnięcia włącznika.
- ◆ Aby wyłączyć narzędzie, zwolnić przełącznik.

Oświetlenie LED

Diodowe światło robocze (6) uruchamia się automatycznie, gdy wciśnięty jest wyłącznik. Światło robocze będzie uruchamiane także po częściowym naciśnięciu przycisku, przed rozpoczęciem pracy urządzenia.

Wskazówki praktyczne

Wiercenie

- ◆ W czasie wiercenia, narzędzie należy trzymać w linii prostej i lekko dociskać.
- ◆ Zmniejszyć nacisk tuż przed przejściem wiertła na drugą stronę wierzonego elementu.
- ◆ Materiał, który łatwo pęka, podeprzeć od spodu drewnianym kłociem.
- ◆ Do wiercenia otworów o dużej średnicy w drewnie stosować wiertła łopatkowe.
- ◆ Do wiercenia w metalu stosować wiertła HSS.
- ◆ Do wiercenia w miękkim murze stosować wiertła do muru.
- ◆ W trakcie wiercenia w metalu innym niż żeliwo oraz mosiądz stosować środki smarne.
- ◆ Aby zwiększyć dokładność, miejsce wiercenia można napunktować.

Wkręcanie śrub

- ◆ Zawsze używać właściwego typu i rozmiaru końcówek.
- ◆ Jeśli występują trudności z dokręceniem wkrętów, można spróbować nałożyć małą ilość płynu do zmywania lub mydła jako smaru.
- ◆ Dbać o proste ustawienie wkrętaka, końcówki i wkrętu.

Konserwacja

Narzędzia Stanley Fat Max zostały zaprojektowane tak, aby zapewnić długoletnią, prawie bezobsługową, pracę urządzenia. Aby długo cieszyć się właściwą pracą urządzenia, należy odpowiednio o nie dbać i regularnie je czyścić.

Ładowarka nie wymaga, oprócz okresowego czyszczenia, żadnej dodatkowej konserwacji.

Ostrzeżenie! Przed przystąpieniem do konserwacji wyjąć akumulator z narzędzia. Przed czyszczeniem wyjąć wtyczkę ładowarki z gniazda zasilającego.

- ◆ Otwory wentylacyjne w narzędziu i ładowarce należy okresowo czyścić przy użyciu miękkiej szczoteczki lub suchej szmatki.
- ◆ Regularnie czyścić obudowę silnika wilgotną ściereczką. Nie używać środków czyszczących ściernych ani zawierających rozpuszczalniki.
- ◆ Okresowo rozkręcać szczęki zaciskowe aby usunąć zebrane wewnątrz zanieczyszczenia.

Ochrona środowiska



Selektywna zbiórka odpadów. Produktów i akumulatorów oznaczonych tym symbolem nie wolno usuwać ze zwykłymi odpadami z gospodarstw domowych.

Produkty i akumulatory zawierają materiały, które można odzyskać lub poddać recyklingowi, zmniejszając zapotrzebowanie na surowce.

Oddawać produkty elektryczne i akumulatory do recyklingu zgodnie z krajowymi przepisami. Więcej informacji można uzyskać na stronie www.2helpU.com

Dane techniczne

		KFMCD011
Napięcie	$V_{\text{prąd stały}}$	10,8
Obroty bez obciążenia	Min^{-1}	0-400, 0-1500
Maks. moment obrotowy (Skala PTI)	Nm	26
Rozmiar uchwyty	mm	10
Maks. średnica otworu do wiercenia w stali/drewnie	mm	10/20
Masa	kg	1,0

		N472239/N472243
Napięcie zasilania	$V_{\text{prąd zmienny}}$	230
Napięcie wyjściowe	$V_{\text{prąd stały}}$	22
Natężenie	A	1,25
Przybliżony czas ładowania	min	70 (1,5 ah)

		FMC086L
Napięcie	$V_{\text{prąd stały}}$	10,8
Pojemność	Ah	1,5
Typ		Litowo-jonowy

Poziom ciśnienia akustycznego zgodnie z EN 60745:
Ciśnienie akustyczne (L_{pa}) 82,0 dB(A), niepewność (K) 3 dB(A)
Moc akustyczna (L_{wa}) 93 dB(A), niepewność (K) 3 dB(A)

Sumaryczna wielkość drgań (suma wektorów trzech osi) zgodnie z normą EN 60745:

Wiercenie w metalu (a_{h}) < 1,1 m/s^2 , niepewność (K) 1,5 m/s^2
 Wkręcanie wkrętów (a_{h}) 0,9 m/s^2 , niepewność (K) 1,5 m/s^2

Deklaracja zgodności WE

DYREKTYWA MASZYNOWA



Bezprzewodowa wiertarko-wkrętarka - KFMCD011

Firma Stanley Europe oświadcza, że produkty opisane pod "dane techniczne" są zgodne z następującymi przepisami:

2006/42/WE, EN 60745-1:2009 +A1:2010,

EN 60745-2-1:2010, EN 60745-2-2:2010

Produkty te są również zgodne z zapisami dyrektyw 2014/30/UE oraz 2011/65/UE. Aby otrzymać więcej informacji, należy skontaktować się z firmą Stanley Europe pod adresem podanym poniżej lub na końcu instrukcji.

Osoba niżej podpisana odpowiedzialna jest za zestawienie informacji technicznych i złożenie deklaracji zgodności w imieniu firmy Stanley Europe.

Ray Laverick

Director of Engineering

Stanley Europe, Egide Walschaertsstraat14-18,

2800 Mechelen, Belgia

16/05/2016

Gwarancja

Firma Stanley Fat Max jest pewna jakości swoich produktów i oferuje klientom 12 miesięcy gwarancji od daty zakupu.

Udzielona gwarancja stanowi rozszerzenie i w żaden sposób nie ogranicza ustawowych praw użytkowników. Gwarancja obowiązuje na terenie krajów członkowskich Unii Europejskiej i Europejskiej Strefy Wolnego Handlu.

Aby skorzystać z gwarancji, roszczenie gwarancyjne musi być zgodne z Warunkami Stanley Fat Max i konieczne jest przedłożenie dowodu zakupu sprzedawcy lub pracownikowi autoryzowanego serwisu. Warunki rocznej gwarancji Stanley Fat Max oraz lokalizację najbliższego autoryzowanego serwisu można uzyskać na stronie internetowej www.2helpU.com lub kontaktując się z lokalnym biurem Stanley Fat Max pod adresem podanym w tej instrukcji.

Zapraszamy na naszą stronę internetową www.blackand-decker.co.uk, aby zarejestrować swój produkt Stanley Fat Max i otrzymywać informacje o nowych produktach i ofertach specjalnych.

Destinația de utilizare

Mașina dvs. de găurit/înșurubat Stanley Fat Max KFMCD011 a fost concepută pentru aplicații de înșurubare și pentru operații de găurire în lemn, metal și materiale plastice. Această unealtă este destinată utilizatorilor profesioniști și privați, neprofesioniști.

Instrucțiuni de siguranță

Avertizări generale de siguranță privind uneltele electrice



Avertisment! Citiți toate avertizările de siguranță și toate instrucțiunile. Nerespectarea avertizărilor și a instrucțiunilor enumerate în continuare poate conduce la electrocutare, incendii și/sau vătămări grave.

Păstrați toate avertizările și instrucțiunile pentru consultare ulterioară. Termenul „unealtă electrică” din toate avertizările enumerate mai jos se referă la unealta electrică (cu cablu) alimentată de la rețeaua principală de energie sau la unealta electrică (fără cablu) alimentată de la baterie.

1. Siguranța în zona de lucru

- Păstrați zona de lucru curată și bine iluminată.** Zonele dezordonate sau întunecate înlesnesc accidentele.
- Nu operați uneltele electrice în atmosfere explozive, cum ar fi în prezența lichidelor, gazelor sau pulberilor explozive.** Uneltele electrice generează scântei ce pot aprinde pulberile sau vaporii.
- Țineți la distanță copiii și persoanele din jur în timp ce operați o unealtă electrică.** Distragerea atenției poate conduce la pierderea controlului.

2. Siguranța electrică

- Ștecherile uneltelor electrice trebuie să se potrivească cu priza. Nu modificați niciodată ștecherul în vreun fel. Nu folosiți adaptoare pentru ștechere împreună cu uneltele electrice împământate (legate la masă).** Ștecherile nemodificate și prizele compatibile vor reduce riscul de electrocutare.
- Evitați contactul corpului cu suprafețele împământate precum țevi, radiatoare, cuptoare și frigidere.**

Există un risc sporit de electrocutare în cazul în care corpul dumneavoastră este în contact cu suprafețele împământate sau legate la masă.

- Nu expuneți uneltele electrice la ploaie sau condiții de umezeală.** Apa care pătrunde într-o unealtă electrică va spori riscul de electrocutare.
- Nu manipulați necorespunzător cablul. Nu utilizați niciodată cablul pentru transportarea, tragerea sau scoaterea din priză a unelei electrice. Țineți cablul departe de căldură, ulei, muchii ascuțite sau componente în mișcare.** Cablurile deteriorate sau încurcate sporesc riscul electrocutării.
- Atunci când operați o unealtă de lucru în aer liber, utilizați un prelungitor pentru exterior.** Utilizarea unui cablu adecvat pentru exterior reduce riscul de electrocutare.
- În cazul în care operarea unei unelte electrice într-un spațiu cu umiditate nu poate fi evitată, utilizați o alimentare cu dispozitiv de protecție la curent rezidual (RCD).** Utilizarea unui dispozitiv RCD reduce riscul electrocutării.

3. Siguranța corporală

- Fiți precauți, fiți atenți la utilizare și faceți uz de regulile de bun simț atunci când operați o unealtă electrică. Nu utilizați o unealtă electrică atunci când sunteți obosiți sau când vă aflați sub influența drogurilor, alcoolului sau medicației.** Un moment de neatenție în timpul operării uneltelor electrice poate conduce la vătămări corporale grave.
- Utilizați echipamentul de protecție corporală. Purtați întotdeauna ochelari de protecție.** Echipamentul de protecție precum măștile anti-praf, încălțămintea de siguranță antiderapantă, căștile sau dopurile pentru urechi utilizate pentru anumite condiții de lucru vor reduce vătămrile corporale.
- Preîntâmpinați pornirea accidentală. Asigurați-vă că comutatorul se află în poziția oprit înainte de conectarea la sursa de alimentare și/sau la acumulator, înainte de ridicarea sau transportarea uneltei.** Transportarea uneltelor electrice ținând degetul pe comutator sau alimentarea cu tensiune a uneltelor electrice ce au comutatorul în poziția pornit înlesnesc producerea accidentelor.
- Îndepărtați orice cheie sau clește de reglare înainte de a porni unealta electrică.** O cheie sau un clește rămas atașat la o componentă rotativă a unelei electrice poate conduce la vătămări corporale.
- Nu vă întindeți pentru a apuca unealta de lucru. Mențineți-vă întotdeauna stabilitatea și echilibrul.** Acest lucru permite un control mai bun al unelei electrice în situații neașteptate.

- f. **Îmbrăcați-vă corespunzător. Nu purtați îmbrăcăminte largă sau bijuterii. Feriți-vă părul, îmbrăcămintea și mănușile față de componentele în mișcare.** Îmbrăcămintea largă, bijuteriile sau părul lung pot fi prinse în componentele în mișcare.
- g. **În cazul în care dispozitivele prezintă posibilitatea conectării de accesorii pentru aspirația și colectarea prafului, asigurați-vă că aceste accesorii sunt conectate și utilizate în mod corespunzător.** Utilizarea dispozitivelor de colectare a prafului poate reduce pericolele impuse de existența prafului.
4. **Utilizarea și îngrijirea uneltelor electrice**
- a. **Nu forțați unealta electrică. Utilizați unealta electrică adecvată pentru aplicația dvs.** Unealta de lucru adecvată va efectua lucrarea mai bine și în mod mai sigur, în ritmul pentru care a fost concepută.
- b. **Nu utilizați unealta electrică în cazul în care comutatorul nu comută în poziția pornit și oprit.** Orice unealtă electrică ce nu poate fi controlată cu ajutorul comutatorului este periculoasă și trebuie să fie reparată.
- c. **Deconectați ștecherul de la sursa de alimentare și/sau acumulatorul de la unealta electrică înaintea efectuării oricăror reglaje, modificării accesoriilor sau depozitării uneltelor electrice.** Astfel de măsuri preventive de siguranță reduc riscul pornirii accidentale a uneltelor electrice.
- d. **Nu depozitați uneltele electrice în stare inactivă la îndemâna copiilor și nu permiteți persoanelor nefamiliarizate cu unealta de lucru sau cu aceste instrucțiuni să o utilizeze.** Uneltele electrice sunt periculoase în mâinile utilizatorilor neinstruiți.
- e. **Efectuați întreținerea uneltelor electrice. Verificați alinierea necorespunzătoare sau blocarea componentelor în mișcare, ruperea componentelor și orice altă stare ce ar putea afecta operarea uneltelor electrice.** În cazul deteriorării, **prevedeți repararea unelei electrice înainte de utilizare.** Multe accidente sunt cauzate de uneltele electrice întreținute necorespunzător.
- f. **Păstrați uneltele de tăiat ascuțite și curate.** Este puțin probabil ca uneltele de tăiat cu tășuri ascuțite și întreținute în mod corespunzător să se blocheze, acestea fiind mai ușor de controlat.
- g. **Utilizați unealta electrică, accesoriile și cuțitele unelei etc. conform acestor instrucțiuni, ținând cont de condițiile de lucru și de lucrarea ce trebuie să fie efectuată.** Utilizarea unelei de lucru pentru operații diferite de cele conforme destinației de utilizare ar putea conduce la situații periculoase.
5. **Utilizarea și îngrijirea uneltelor cu acumulator**
- a. **Reîncărcați folosind exclusiv încărcătorul specificat de către producător.** Un încărcător adecvat pentru un anumit tip de acumulator poate genera risc de incendiu atunci când este utilizat cu un alt tip de acumulator.
- b. **Utilizați uneltele electrice exclusiv împreună cu acumulatorii specificați.** Utilizarea oricăror alți acumulatori poate genera riscuri de vătămare și incendiu.
- c. **Atunci când acumulatorul nu este utilizat, păstrați-l ferit de alte obiecte metalice, precum agrafe de birou, monede, chei, cuie, șuruburi sau alte obiecte metalice mici ce ar putea crea prin contact conexiunea între cele două borne.** Scurtcircuitarea bornelor acumulatorului poate determina arsuri sau incendii.
- d. **În condiții de utilizare incorectă, este posibil să fie evacuat lichid din acumulator; evitați contactul cu acesta. În cazul în care survine contactul accidental, clătiți cu apă. În cazul în care lichidul intră în contact cu ochii, consultați, de urgență, medicul.** Lichidul evacuat din acumulator poate cauza iritații sau arsuri.
6. **Service**
- a. **Prevedeți repararea unelei de lucru de către o persoană calificată, folosind exclusiv piese de schimb identice.** Astfel, vă asigurați că se menține siguranța în folosirea unelei.

Avertizări suplimentare de siguranță pentru unealta de lucru



Avertisment! Avertizări suplimentare de siguranță pentru mașini de găurit și mașini de găurit cu percuție

- ◆ **Purtați protecție pentru urechi în cazul utilizării mașinilor de găurit cu percuție.** Expunerea la zgomot poate determina pierderea auzului.
- ◆ **Utilizați mânerul suplimentar furnizat împreună cu unealta.** Pierderea controlului poate determina vătămări fizice.
- ◆ **Țineți unealta electrică departe de suprafețele izolate pentru prindere atunci când efectuați o operație în care elementul de fixare poate atinge cabluri ascunse.** Contactul dispozitivelor de strâns cu un cablu sub tensiune ar putea determina scurgerea curentului în componentele metalice expuse ale unelei electrice și ar putea electrocuta operatorul.
- ◆ **Utilizați cleștisau o altă modalitate practică de a fixa și sprijini piesa de prelucrat pe o platformă stabilă.** Ținând piesa de prelucrat în mână sau sprijinită de corp, aceasta va fi instabilă și poate conduce la pierderea controlului.

- ◆ Această unealtă nu este destinată utilizării de către persoane (inclusiv copii) cu capacități fizice, senzoriale sau mentale reduse sau de către persoane lipsite de experiență și cunoștințe, cu excepția cazurilor în care acestea au fost supravegheate și instruite cu privire la utilizarea aparatului de către o persoană responsabilă pentru siguranța lor. Copiii trebuie să fie supravegheați, pentru a vă asigura că nu se joacă cu aparatul.
- ◆ Destinația de utilizare este descrisă în acest manual de instrucțiuni. Utilizarea oricărui accesoriu sau atașament sau efectuarea oricărei operațiuni cu această unealtă diferite de cele recomandate în prezentul manual de instrucțiuni poate implica un risc de vătămare fizică și/sau daune asupra obiectelor.

Siguranța persoanelor din jur

- ◆ Acest aparat poate fi utilizat de copiii peste 8 ani și de către persoane cu capacități fizice, senzoriale sau mentale reduse sau de către persoane lipsite de experiență și cunoștințe dacă acestea au fost supravegheate și instruite cu privire la utilizarea aparatului în condiții de siguranță și înțeleg riscurile pe care le implică.
- ◆ Copii nu au voie să se joace cu aparatul. Curățarea și operațiunile de întreținere nu trebuie efectuate de copii fără supraveghere.

Riscuri reziduale.

Pot surveni riscuri reziduale suplimentare în timpul utilizării unelei, riscuri ce este posibil să nu fie incluse în avertizările de siguranță atașate. Aceste riscuri pot fi determinate de utilizarea incorectă, utilizarea prelungită etc.

Nici măcar în cazul aplicării regulamentelor de siguranță corespunzătoare și implementării dispozitivelor de siguranță, anumite riscuri reziduale nu pot fi evitate. Acestea includ:

- ◆ Vătămări cauzate de atingerea componentelor în rotire/mișcare.
- ◆ Vătămări cauzate în momentul schimbării componentelor, lamelor sau accesoriilor.
- ◆ Vătămări cauzate de utilizarea prelungită a unei unele. La utilizarea unei unele pe perioade prelungite, asigurați-vă că faceți pauze la intervale regulate.
- ◆ Afectarea auzului.
- ◆ Pericole asupra sănătății cauzate de inhalarea prafului rezultat în urma utilizării unelei (exemplu:- prelucrarea lemnului, în special a stejarului, fagului și MDF.)

Vibrațiile

Valorile declarate ale emisiilor de vibrații, menționate în specificația tehnică și în declarația de conformitate au fost măsurate în conformitate cu metoda standard de testare prevăzută de norma EN60745 și pot fi utilizate pentru compararea diverselor unele.

Valoarea declarată a emisiilor de vibrații poate fi utilizată, de asemenea, în cadrul unei evaluări preliminare în privința expunerii.

Avertisment! Valoarea emisiilor de vibrații în timpul utilizării efective a unelei electrice poate diferi de valoarea declarată în funcție de modalitățile de utilizare ale unelei. Nivelul vibrațiilor poate crește peste nivelul menționat.

În cazul evaluării expunerii la vibrații în scopul de a determina măsurile de siguranță solicitate de Directiva 2002/44/CE pentru protejarea persoanelor ce folosesc periodic unelte electrice la locul de muncă, trebuie avută în vedere o estimare a expunerii la vibrații, condițiile efective de utilizare și modalitatea de utilizare a unelei, luând totodată în calcul toate componentele ciclului de operare precum perioadele în care unealta este oprită și în care funcționează în gol, pe lângă perioadele în care survine blocarea acesteia.

Etichetele prezente pe unealtă

Simbolurile următoare, împreună cu codul de dată sunt afișate pe unealtă:



Avertisment! Pentru a reduce riscul vătămării, utilizatorul trebuie să citească manualul de instrucțiuni.

Instrucțiuni suplimentare de siguranță pentru acumulatori și încărcătoare

Accumulatori

- ◆ Nu încercați niciodată să desfaceți acumulatorul pentru niciun fel de motiv.
- ◆ Nu expuneți acumulatorul la apă.
- ◆ Nu depozitați în spații în care temperatura poate depăși 40 °C.
- ◆ Încărcați numai în condiții de temperatură ambientală cuprinsă între 10 °C și 40 °C.
- ◆ Încărcați folosind exclusiv încărcătorul furnizat împreună cu unealta.
- ◆ Atunci când aruncați acumulatorii, urmați instrucțiunile furnizate în secțiunea „Protejarea mediului înconjurător”.



Nu încercați să încărcați acumulatori deteriorați.

Încărcătoarele

- ◆ Utilizați încărcătorul Stanley Fat Max exclusiv pentru a încărca acumulatorul din unealta împreună cu care a fost furnizat. Alți acumulatori ar putea exploda, determinând vătămări și daune.
- ◆ Nu încercați niciodată să încărcați acumulatori neîncărcabili.
- ◆ Prevedeți imediat înlocuirea cablurilor de alimentare defecte.

- ◆ Nu expuneți încărcătorul la apă.
- ◆ Nu desfaceți încărcătorul.
- ◆ Nu desfaceți încărcătorul.



Încărcătorul este destinat exclusiv pentru utilizare în spații închise.



Citiți manualul de instrucțiuni înainte de utilizare.

Siguranța electrică



Acest încărcător prezintă izolare dublă; prin urmare, nu este necesară împământarea. Verificați întotdeauna ca tensiunea de alimentare să corespundă tensiunii de pe plăcuța cu specificații. Nu încercați niciodată să înlocuiți unitatea de încărcare cu o priză normală de alimentare.

- ◆ În cazul în care cablul de alimentare este deteriorat, acesta trebuie să fie înlocuit de producător sau de către un Centru de Service Stanley Fat Max autorizat pentru a evita orice pericol.

Descriere

Această unealtă dispune de unele sau de toate caracteristicile următoare.

1. Comutator de reglare a vitezei
2. Cursor înainte/înapoi
3. Mandrină
4. Manșon mandrină
5. Acumulator
6. Lumină de lucru cu LED
7. Selector viteză

Fig. A

8. Încărcător
9. Indicator de încărcare

Asamblarea

Avertisment! Înainte de asamblare, scoateți acumulatorul din unealtă.

Montarea și demontarea acumulatorului (fig. B)

- ◆ Pentru a monta acumulatorul (5), aliniați-l cu baza de pe unealtă. Glišați acumulatorul în bază și împingeți până când face clic pe poziție.
- ◆ Pentru a scoate acumulatorul, apăsați pe butonul de detașare (5a) extrăgând în același timp acumulatorul afară din bază.

Montarea și demontarea unui burghiu sau a unui cap de șurubelniță

Această unealtă este prevăzută cu o mandrină fără a cheie pentru a permite schimbarea ușoară a burghiilor.

- ◆ Blocați unealta aducând cursorul înainte/înapoi (2) în poziția centrală.
- ◆ Prindeți mandrina (3) și rotiți-o în sens antiorar, privind de la capătul mandrinei.
- ◆ Introduceți tija burghiului în mandrină.
- ◆ Strângeți bine mandrina rotind-o în sens orar privind de la capătul mandrinei.

Avertisment! Nu încercați să strângeți burghiile (sau orice alt accesoriu) apucând de partea din față a mandrinei și pornind unealta.

Dacă schimbați accesoriile în acest fel puteți deteriora mandrina și pot apărea vătămări corporale.

Utilizarea

Avertisment! Lăsați unealta să funcționeze în ritmul propriu. Nu o suprasolicitați.

Încărcarea acumulatorului (fig. A)

Acumulatorul trebuie să fie încărcat înaintea primei utilizări și ori de câte ori nu reușește să producă suficientă putere pentru lucrările efectuate cu ușurință anterior. Acumulatorul se poate încălzi în timpul încărcării; acest lucru este normal și nu indică o problemă.

Avertisment! Nu încărcați acumulatorul în condiții de temperatură ambientală sub 10 °C sau peste 40 °C. Temperatura recomandată de încărcare: aprox. 24 °C.

Notă: Încărcătorul nu va încărca un acumulator dacă temperatura celulei este sub aproximativ 10 °C sau peste 40 °C.

Acumulatorul trebuie lăsat în încărcător, iar acesta va începe automat încărcarea atunci când temperatura celulei crește sau scade.

- ◆ Pentru a încărca acumulatorul (5), introduceți-l în încărcător (8). Acumulatorul se va potrivi în încărcător doar într-o anumită poziție. Nu forțați. Asigurați-vă că acumulatorul este așezat corect în încărcător.
- ◆ Conectați încărcătorul la priza de alimentare.

Indicatorul de încărcare (9) va lumina verde intermitent continuu (lent).

Încărcarea este completă atunci când indicatorul de încărcare (9) luminează verde continuu. Încărcătorul și acumulatorul pot fi lăsate conectate pe perioadă nedeterminată cu LED-ul aprins. LED-ul va începe să lumineze verde intermitent (încărcare) deoarece încărcătorul reia ocazional încărcarea acumulatorului. Indicatorul de încărcare (9) se va aprinde atunci când bateria este conectată la încărcător.

- ◆ Încărcați acumulatorii descărcați în decurs de 1 săptămână. Durata de viață a acumulatorului se va diminua drastic dacă este depozitat descărcat.

Menținerea acumulatorului în încărcător

Încărcătorul și acumulatorul pot fi lăsate conectate cu LED-ul aprins o perioadă nedeterminată. Încărcătorul va menține acumulatorul pregătit și încărcat complet.

Codurile de eroare ale încărcătorului

Dacă încărcătorul detectează un acumulator slab sau defect, indicatorul de încărcare (9) va lumina roșu intermitent foarte repede. Procedați după cum urmează:

- ◆ Reintroduceți acumulatorul (5).
- ◆ Dacă indicatorul de încărcare continuă să lumineze roșu intermitent foarte repede, folosiți un alt acumulator pentru a stabili dacă procesul de încărcare se desfășoară corect.
- ◆ Dacă acumulatorul de schimb se încarcă corect, atunci înseamnă că acumulatorul original este defect și trebuie returnat la un centru de service pentru reciclare.
- ◆ Dacă noul acumulator dă aceleași indicații ca și cel original, duceți încărcătorul pentru a fi testat la un centru de service autorizat.

Notă: Poate dura până la 60 de minute pentru a determina dacă o baterie este defectă. Dacă bateria este prea fierbinte sau prea rece, LED-ul va clipi alternativ roșu, rapid și lent, câte o clipire la fiecare viteză și apoi va repeta.

Selectarea direcției de rotire (fig. C)

Pentru înșurubare, folosiți direcția de rotire înainte (în sensul acelor de ceasornic). Pentru deșurubare, folosiți direcția de rotire înapoi (în sens invers acelor de ceasornic).

- ◆ Pentru a selecta direcția de rotire înainte, împingeți cursorul înainte/înapoi (2) la stânga.
- ◆ Pentru a selecta direcția de rotire înapoi, împingeți cursorul înainte/înapoi la dreapta.
- ◆ Pentru a bloca unealta, aduceți cursorul înainte/înapoi în poziția centrală.

Selectarea cuplului de strângere (fig. E)

Această unealtă este prevăzută cu un inel de reglare a cuplului de strângere pentru diverse aplicații de înșurubare și găurire. Șuruburile mari și materialele dure de prelucrat necesită un cuplu de strângere mai mare decât șuruburile mici și materialele de prelucrat moi. Pentru definiția simbolului, consultați tabelul de mai jos

- ◆ Pentru efectuarea găurilor în lemn, metal și materiale plastice, setați inelul de reglare a cuplului (4) la simbolul 1.
- ◆ Pentru înșurubare, reglați inelul la setarea dorită. În cazul în care nu cunoașteți care ar fi setarea adecvată, procedați în felul următor.
 - ◆ Setați inelul de reglare a cuplului (4) la cel mai mic cuplu de strângere.
 - ◆ Strângeți primul șurub.
 - ◆ În cazul în care mandrina se blochează înainte de obținerea rezultatului dorit, măriți setarea inelului și continuați strângerea șurubului.

Repețiți până când obțineți setarea corectă. Folosiți setarea respectivă pentru restul șuruburilor.

Selectorul de viteză (fig. D)

- ◆ Pentru efectuarea operațiilor de găurire în metal sau de înșurubare, împingeți selectorul de viteză (7) în spate, spre partea posterioară a unelei (în viteza 1).
- ◆ Pentru efectuarea operațiilor de găurire în metale altele decât oțel, împingeți selectorul de viteză (7) înainte, spre partea frontală a unelei (în viteza 2).

Găurire/înșurubare

- ◆ Selectați rotirea înainte sau înapoi folosind cursorul înainte/înapoi (2).
- ◆ Pentru a porni unealta, apăsați butonul de pornire/oprire (1). Viteza unelei depinde de cât de mult apăsați pe întreprupător.
- ◆ Pentru a opri unealta, eliberați butonul.

Lumină de lucru cu LED

Indicatorul luminos de lucru, cu LED (6) este activat automat la apăsarea declanșatorului. LED-ul de lucru va lumina atunci când comutatorul este apăsat parțial, înainte ca unitatea să pornească.

Sfaturi pentru utilizarea optimă

Găurire

- ◆ Apăsați întotdeauna ușor în linie dreaptă cu burghiul.
- ◆ Exact înainte ca burghiul să iasă pe partea cealaltă prin piesa de prelucrat, reduceți gradul de apăsare pe unealtă.
- ◆ Utilizați o bucată de lemn pentru a susține piesele de lucrat ce se pot crăpa.
- ◆ Utilizați burghie cu șurub de ghidare atunci când efectuați găuri de diametru mare în lemn.
- ◆ Utilizați burghie tip HSS atunci când efectuați găuri în metal.
- ◆ Utilizați burghie pentru zidărie atunci când efectuați găuri în zidărie cu duritate redusă.
- ◆ Utilizați un lubrifiant atunci când efectuați găuri în alte metale decât fonta și alama.
- ◆ Faceți un semn cu ajutorul unui dorn în centrul găurii de efectuat pentru a îmbunătăți precizia de execuție.

Înșurubarea

- ◆ Utilizați întotdeauna un cap de șurubelniță de tipul și dimensiunile corecte.
- ◆ În cazul în care șuruburile sunt dificil de strâns, încercați să aplicați o cantitate mică de soluție de spălat sau de săpun pe post de lubrifiant.
- ◆ Țineți întotdeauna unealta și capul de șurubelniță în linie dreaptă cu șurubul.

Întreținerea

Unealta dvs. Stanley Fat Max a fost concepută pentru a opera o perioadă îndelungată de timp, cu un nivel minim de întreținere. Funcționarea satisfăcătoare continuă depinde de îngrijirea corespunzătoare a unelei și de curățarea periodică.

Încărcătorul nu necesită nicio operație de întreținere în afara curățării periodice.

Avertisment! Scoateți acumulatorul înainte de efectuarea oricăror operații de întreținere asupra unelei. Deconectați încărcătorul înainte de curățarea acestuia.

- ◆ Curățați în mod regulat fantele de ventilare de pe unealtă și încărcător, folosind o perie moale sau o cârpă uscată.
- ◆ Curățați în mod regulat carcasa motorului folosind o cârpă umedă. Nu utilizați nicio soluție de curățare abrazivă sau pe bază de solvenți.
- ◆ Deschideți în mod regulat mandrina și băteți-o ușor pentru a îndepărta praful din interior.

Protejarea mediului înconjurător



Colectarea selectivă. Produsele și acumulatorii marcați cu acest simbol nu trebuie să fie aruncați împreună cu gunoii menajer.

Produsele și bateriile conțin materiale care pot fi recuperate sau reciclate, reducând cererea de materii prime.

Vă rugăm să reciclați produsele electrice și bateriile în conformitate cu prevederile locale. Mai multe informații sunt disponibile la www.2helpU.com

Specificații tehnice

KFMCD011		
Tensiune	V _{c.c.}	10,8
Turație în gol	Min ⁻¹	0-400, 0-1500
Cuplu maxim de strângere (conform clasificării PTI)	Nm	26
Capacitate mandrină	mm	10
Capacitate max. de găurire Oțel/lemn	mm	10/20
Greutate	kg	1,0

N472239/N472243		
Tensiune de intrare	V _{c.a.}	230
Tensiune de ieșire	V _{c.c.}	22
Curent	A	1,25
Timp aprox. de încărcare	min	70 (1,5AH)

Acumulator		FMC086L
Tensiune	V _{c.c.}	10,8
Capacitate	Ah	1,5
Tip		Li-Ion

Nivelul presiunii sonore conform cu EN 60745:

Presiune sonoră (L_{pA}) 82,0 dB(A), marjă (K) 3 dB(A)

Putere sonoră (L_{WA}) 93 dB(A), marjă (K) 3 dB(A)

Valorile totale ale vibrațiilor (suma vectorială a trei axe) conform cu EN 60745:

Găurirea în metal (a_{hD}) 1,1 m/s², marjă (K) 1,5 m/s²
Înșurubare (a_h) 0,9 m/s², marjă (K) 1,5 m/s²

Declarația de conformitate CE

DIRECTIVA PENTRU UTILAJE



Mașină de găurit/înșurubat cu acumulator - KFMCD01

Stanley Europe declară că aceste produse descrise în „Specificații tehnice” sunt conforme cu normele: 2006/42/EC, EN 60745-1:2009 +A1:2010, EN 60745-2-1:2010, EN 60745-2-2:2010

Aceste produse sunt, de asemenea, conforme cu Directivele 2014/30/UE și 2011/65/UE. Pentru informații suplimentare, vă rugăm să contactați Stanley Europe la următoarea adresă sau să consultați coperta din partea din spate a manualului.

Subsemnatul este responsabil pentru întocmirea dosarului tehnic și face această declarație în numele Stanley Europe.

Ray Laverick
Director tehnic

Stanley Europe, Egide Walschaertsstraat 14-18,
2800 Mechelen, Belgia
16/05/2016

Garanție

Stanley Fat Max are încredere în calitatea produselor sale și le oferă clienților o garanție de 12 de luni de la data achiziției. Această garanție completează și nu prejudiciază în niciun fel drepturile dumneavoastră legale. Garanția este valabilă pe teritoriile Statelor Membre ale Uniunii Europene și în Zona Europeană de Comerț Liber.

Pentru a revendica garanția, cererea trebuie să fie în conformitate cu Termenii și condițiile Stanley Fat Max și clientul va trebui să prezinte dovada de cumpărare la vânzător sau la un agent de reparații autorizat. Termenii și condițiile garanției Stanley Fat Max de 1 an și localizarea celui mai apropiat agent de reparații autorizat pot fi obținute de pe Internet la www.2helpU.com, sau contactând biroul Stanley Fat Max la adresa indicată în prezentul manual.

Vă rugăm să vizitați site-ul nostru www.blackanddecker.co.uk pentru a înregistra noul produs Stanley Fat Max și pentru a fi informat cu privire la produsele noi și ofertele speciale.

Назначение

Ваша дрель/шуруповерт Stanley Fat Max KFMCDD011 разработана для закручивания шурупов и сверления дерева, металла и пластика. Этот инструмент предназначен как для профессионалов, так и для использования непрофессионалами.

Правила техники безопасности

Общие правила безопасности при работе с электрифицированным инструментом



Осторожно! Полностью прочтите инструкции по технике безопасности и все руководства по эксплуатации. Несоблюдение представленных ниже предупреждений и инструкций может привести к поражению электрическим током, возгоранию и/или тяжелым травмам.

Сохраните все инструкции для последующего обращения к ним. Термин «электроинструмент» во всех приведенных ниже предупреждениях относится к питаемому от электросети (проводному) или от аккумуляторных батарей (беспроводному) электроинструменту.

1. Безопасность на рабочем месте

- a. **Содержите рабочее место в чистоте и обеспечьте его хорошую освещенность.** Захламленное или плохо освещенное рабочее место может стать причиной несчастного случая.
- b. **Не используйте электрифицированный инструмент во взрывоопасной атмосфере, например, при наличии горючих жидкостей, газов или пыли.** Искры, которые появляются при работе электрифицированного инструмента, могут привести к воспламенению пыли или паров.

- c. **Не разрешайте детям и посторонним лицам находиться рядом с вами при работе с электрифицированным инструментом.** Отвлекаясь от работы, вы можете потерять контроль над инструментом.

2. Электробезопасность

- a. **Сетевые вилки электрифицированного инструмента должны соответствовать розеткам. Никогда не меняйте вилку инструмента. Не используйте переходники к вилкам для электроинструментов с заземлением.** Использование оригинальных штепсельных вилок, соответствующих типу сетевой розетки, снижает риск поражения электрическим током.
 - b. **Следует избегать контакта с заземленными поверхностями, такими как трубы, радиаторы, батареи и холодильники.** Если вы будете заземлены, увеличивается риск поражения электрическим током.
 - c. **Не допускайте нахождения электрифицированных инструментов под дождем или в условиях повышенной влажности.** При попадании воды в электрифицированный инструмент риск поражения электротоком возрастает.
 - d. **Бережно обращайтесь с кабелем питания. Никогда не используйте кабель для переноски инструмента, не тяните за него, пытаясь отключить инструмент от сети. Держите кабель подальше от источников тепла, масла, острых углов или движущихся предметов.** Поврежденный или запутанный кабель питания повышает риск поражения электротоком.
 - e. **При работе с электрифицированным инструментом вне помещения необходимо пользоваться удлинителем, рассчитанным на эксплуатацию в соответствующих условиях.** Использование кабеля питания, предназначенного для использования вне помещения, снижает риск поражения электрическим током.
 - f. **При необходимости эксплуатации электрифицированного инструмента в местах с повышенной влажностью используйте устройство защиты от токов замыкания на землю (УЗО).** Использование УЗО сокращает риск поражения электрическим током.
- #### 3. Обеспечение индивидуальной безопасности
- a. **При работе с электрифицированным инструментом сохраняйте бдительность, следите за своими действиями и пользуйтесь здравым смыслом.**

- Не работайте с электроинструментом, если вы устали, находитесь в состоянии наркотического, алкогольного опьянения или под воздействием лекарственных препаратов. Невнимательность при работе с электроинструментом может привести к серьезным телесным повреждениям.
- b. **Используйте средства индивидуальной защиты. Всегда используйте защитные очки.** Средства защиты, такие как противопылевая маска, обувь с не скользящей подошвой, каска и защитные наушники, используемые при работе, уменьшают риск получения травм.
 - c. **Примите меры для предотвращения случайного включения. Перед тем как подключить электроинструмент к сети и/или аккумуляторной батарее, возьмите инструмент или перенести его на другое место, убедитесь в том, что выключатель находится в положении Выкл.** Если при переноске электроинструмента он подключен к сети, и при этом ваш палец находится на выключателе, это может стать причиной несчастных случаев.
 - d. **Уберите все регулировочные или гаечные ключи перед включением электрифицированного инструмента.** Ключ, оставленный на вращающейся части электрифицированного инструмента, может привести к травме.
 - e. **Не пытайтесь дотянуться до слишком удаленных поверхностей. Обувь должна быть удобной, чтобы вы всегда могли сохранять равновесие.** Это позволит лучше контролировать электрифицированный инструмент в непредвиденных ситуациях.
 - f. **Надевайте подходящую одежду. Избегайте носить свободную одежду и ювелирные украшения.** Следите за тем, чтобы волосы, одежда и перчатки не попадали под движущиеся детали. Возможно наматывание свободной одежды, ювелирных изделий и длинных волос на движущиеся детали.
 - g. **При наличии устройств для подключения оборудования для удаления и сбора пыли необходимо обеспечить правильность их подключения и эксплуатации.** Использование устройства для пылеудаления сокращает риски, связанные с пылью.
4. **Эксплуатация электрифицированного инструмента и уход за ним**
 - a. **Избегайте чрезмерной нагрузки электрифицированного инструмента. Используйте электроинструмент в соответствии с назначением.** Правильно подобранный электроинструмент выполнит работу более эффективно и безопасно при стандартной нагрузке.
 - b. **Не используйте электрифицированный инструмент, если не работает его выключатель.** Любой электроинструмент, управлять включением и включением которого невозможно, опасен, и его необходимо отремонтировать.
 - c. **Перед выполнением любой регулировки, заменой дополнительных приспособлений или хранением электрифицированного инструмента отключите устройство от сети или извлеките батарею из устройства.** Такие превентивные меры безопасности сокращают риск случайного включения электрифицированного инструмента.
 - d. **Храните электрифицированный инструмент в недоступном для детей месте и не позволяйте работать с инструментом людям, не имеющим соответствующих навыков работы с такого рода инструментами.** Электрифицированный инструмент представляет опасность в руках неопытных пользователей.
 - e. **Обслуживание электрифицированных инструментов. Проверьте движущиеся детали на несоосность или заклинивание, поломку либо какие-либо другие условия, которые могут повлиять на эксплуатацию электрифицированного инструмента. В случае обнаружения повреждений, прежде чем приступить к эксплуатации электрифицированного инструмента, его нужно отремонтировать.** Большинство несчастных случаев происходит из-за электрифицированных инструментов, которые не обслуживаются должным образом.
 - f. **Необходимо содержать режущий инструмент в остро заточенном и чистом состоянии.** Вероятность заклинивания инструмента, за которым следят должным образом и который хорошо заточен, значительно меньше, а работать с ним легче.
 - g. **Используйте данный электрифицированный инструмент, а также дополнительные приспособления и насадки в соответствии с данными инструкциями и с учетом условий и специфики работы.** Использование электрифицированного инструмента для выполнения операций, для которых он не предназначен, может привести к созданию опасных ситуаций.
 5. **Использование аккумуляторных электроинструментов и уход за ними**
 - a. **Используйте для зарядки аккумуляторной батареи только указанное производителем зарядное устройство.** Использование зарядного устройства определенного типа для зарядки других батарей может привести к возгоранию.

- b. **Используйте для электроинструмента только батареи указанного типа.** Использование других аккумуляторных батарей может стать причиной травмы и возгорания.
 - c. **Избегайте попадания внутрь батареи скрепок, монет, ключей, гвоздей, болтов или других мелких металлических предметов, которые могут вызывать замыкание ее контактов.** Короткое замыкание контактов батареи может привести к возгоранию или получению ожогов.
 - d. **При повреждении батареи, из нее может вытечь электролит; избегайте контакта с ним. При случайном контакте с электролитом смойте его водой. При попадании электролита в глаза обратитесь за медицинской помощью.** Жидкость, находящаяся внутри батареи, может вызвать раздражение или ожоги.
6. **Техническое обслуживание**
- a. **Обслуживание электрифицированного инструмента должно выполняться только квалифицированным техническим персоналом.** Это позволит обеспечить безопасность обслуживаемого электрифицированного инструмента.

Дополнительные правила безопасности при работе с электрифицированным инструментом



Осторожно! Дополнительные правила техники безопасности при использовании дрелей и ударных инструментов

- ◆ **При эксплуатации ударных дрелей следует использовать средства защиты слуха.** Шум может стать причиной снижения слуха.
- ◆ **Пользуйтесь дополнительными рукоятками, входящими в комплект поставки инструмента.** Потеря контроля может привести к травме.
- ◆ **Удерживайте инструмент за изолированные поверхности захватывания при выполнении работ, во время которых имеется вероятность контакта инструмента со скрытой электропроводкой.** Если вы держитесь за металлические детали инструмента, в случае соприкосновения с находящимся под напряжением провода возможно поражение оператора электрическим током.
- ◆ **Используйте зажимы или другие уместные средства фиксации обрабатываемой детали на стабильной опоре.** Держать деталь на весу или в руках перед собой неудобно и это может привести к потере контроля над инструментом.

- ◆ Данный инструмент не предназначен для использования лицами (включая детей) с ограниченными физическими, сенсорными или умственными способностями, а также лицами без достаточного опыта и знаний, если они не находятся под наблюдением лица, отвечающего за их безопасность, или не получают от такого лица указания по использованию устройства. Не позволяйте детям играть с данным устройством.
- ◆ Далее в руководстве приводятся виды работ, для которых предназначен данный инструмент. Применение любых принадлежностей и приспособлений, а также выполнение любых операций помимо тех, которые рекомендованы данным руководством, может привести к травме.

Безопасность окружающих

- ◆ Данное устройство могут использовать дети в возрасте от 8 лет и старше, а также лица с ограниченными физическими, сенсорными или умственными способностями или лица с недостаточным опытом и знаниями, если они находятся под наблюдением или действуют согласно указаниям в отношении безопасного использования устройства и понимают связанные с ним риски.
- ◆ Не позволяйте детям играть с устройством. Очистку и обслуживание не должны выполнять дети, если они не находятся под присмотром.

Остаточные риски.

Помимо тех рисков, что указаны в правилах техники безопасности, при использовании устройства могут возникнуть дополнительные остаточные риски. Это может произойти при неправильной эксплуатации или продолжительном использовании устройства и т. п.

Несмотря на соблюдение соответствующих инструкций по технике безопасности и использование предохранительных устройств, некоторые остаточные риски невозможно полностью исключить. К ним относятся:

- ◆ Травмы в результате касания вращающихся/движущихся частей.
- ◆ Травмы, которые могут произойти в результате смены деталей, лезвий или аксессуаров.
- ◆ Травмы, связанные с продолжительным использованием инструмента. При использовании любого инструмента в течение продолжительного периода времени не забывайте делать перерывы.
- ◆ Ухудшение слуха.
- ◆ Угроза здоровью, связанная с вдыханием пыли, которая образуется при использовании этого инструмента (например, при работе с деревом, особенно дубом, березой и МДФ).

Вибрация

Заявленные значения вибрации, указанные в технических спецификациях и заявлении о соответствии, были измерены в соответствии со стандартным методом тестирования EN60745 и пригодны для сравнения инструментов. Заявленное значение эмиссии вибрации также может использоваться при предварительной оценке ее воздействия.

Осторожно! Значение эмиссии вибрации в каждом конкретном случае применения электроинструмента может отличаться от заявленного в зависимости от того, каким образом используется инструмент. Уровень вибрации может быть выше заявленного.

При оценке уровня вибрации для определения степени безопасности, предусмотренного 2002/44/ЕС для защиты людей, регулярно пользующихся электроинструментом при работе, нужно принимать во внимание уровень вибрации, реальные условия использования и способ использования инструмента, а также учитывать все этапы цикла работы (когда инструмент выключается, когда он работает на холостом ходу, а также время переключения с одного режима на другой).

Условные обозначения на инструменте

На инструмент нанесены следующие обозначения вместе с кодом даты:



Осторожно! Во избежание риска получения травм, прочитайте инструкцию по применению.

Дополнительные меры безопасности при работе с батареями и зарядными устройствами

Аккумуляторные батареи

- ◆ Никогда не пытайтесь разобрать аккумуляторные батареи.
- ◆ Не подвергайте аккумуляторные батареи воздействию воды.
- ◆ Не оставляйте в местах, где температура превышает 40 °С.
- ◆ Заряжайте только при температуре 10–40 °С.
- ◆ Заряжайте аккумуляторные только с зарядным устройством, которое прилагается к инструменту.
- ◆ При утилизации батарей следуйте инструкциям, указанным в разделе «Защита окружающей среды».



Не пытайтесь заряжать поврежденные аккумуляторные батареи.

Зарядные устройства

- ◆ Используйте свое зарядное устройство Stanley Fat Max только для зарядки аккумуляторной батареи инструмента, с которым оно поставлялось. Использование аккумуляторных батарей другого типа может привести к взрыву, травмам и повреждениям.
- ◆ Не пытайтесь заряжать одноразовые батареи.
- ◆ Немедленно заменяйте поврежденный кабель питания.
- ◆ Не подвергайте зарядное устройство воздействию воды.
- ◆ Не вскрывайте зарядное устройство.
- ◆ Запрещается проводить испытания с зарядным устройством.



Зарядное устройство можно использовать только в помещении.



Перед началом работы прочтите руководство по эксплуатации.

Электробезопасность



Ваше зарядное устройство имеет двойную изоляцию, поэтому не требует заземления. Необходимо обязательно убедиться в том, что напряжение источника питания соответствует указанному на шильдике. Никогда не пытайтесь заменить зарядное устройство обычной сетевой розеткой.

- ◆ Если поврежден сетевой кабель, его нужно заменить у производителя или в авторизованном сервисном центре Stanley Fat Max, чтобы избежать проблем.

Характеристики

Этот инструмент включает в себя следующие особенности или некоторые из них.

1. Спусковой выключатель
2. Реверсивный ползунок переключатель
3. Патрон
4. Фиксатор патрона
5. Аккумуляторная батарея
6. Светодиодная рабочая подсветка
7. Переключатель скорости

Рис. А

8. Зарядное устройство
9. Индикатор заряда

Сборка

Осторожно! Снимите аккумуляторную батарею с инструмента перед сборкой.

Установка и снятие аккумуляторной батареи (рис. В)

- ◆ Для установки аккумуляторной батареи (5) совместите ее с батарейным отсеком инструмента. Вставьте аккумуляторную батарею в гнездо и нажмите на нее, чтобы она встала на место.
- ◆ Для извлечения батареи нажмите кнопки открывания батарейного отсека (5а), одновременно вытягивая ее наружу.

Снятие и установка сверла или отвертки

Для простоты замены бит данный инструмент оснащен бесключевым патроном.

- ◆ Заблокируйте инструмент, переместив переключатель вперед/назад (2) в центральное положение.
- ◆ Возьмитесь за патрон (3) и поворачивайте его против часовой стрелки, если смотреть с конца патрона.
- ◆ Вставьте хвостовик в зажимной патрон.
- ◆ Надежно затяните патрон, поворачивая его по часовой стрелки, если смотреть с конца патрона.

Осторожно! Не пытайтесь затягивать сверла дрели (или любую другую оснастку), удерживая патрон и включая инструмент.

При смене принадлежностей можно повредить патрон и получить травму.

Использование

Осторожно! Инструмент должен работать в обычном режиме. Избегайте перегрузок.

Зарядка аккумуляторной батареи (рис. А)

Аккумуляторную батарею нужно заряжать перед первым использованием и каждый раз, когда заряда недостаточно для выполняемых работ. Во время зарядки аккумулятор нагревается. Это нормальная ситуация, которая не указывает на неисправность.

Осторожно! Не заряжайте батарею при температуре окружающей среды ниже 10 °С или выше 40 °С. Рекомендуемая температура при зарядке: около 24 °С.

Примечание. Зарядное устройство не будет заряжать аккумулятор, если температура элемента ниже 10 °С или выше 40 °С.

Аккумуляторную батарею нужно оставить в зарядном устройстве; зарядка начнется автоматически, когда температура элемента аккумуляторной батареи выровняется до нормальных значений.

- ◆ Вставьте аккумулятор (5) в зарядное устройство (8) для выполнения зарядки. Аккумуляторная батарея устанавливается в зарядное устройство только одним способом. Не прилагайте чрезмерные усилия. Проследите, чтобы батарея полностью вошла в зарядное устройство.

- ◆ Подключите зарядное устройство к сети и включите его.

Индикатор зарядки (9) начнет мигать зеленым (медленно). Зарядка завершена если индикатор (9) зарядки будет непрерывно гореть зеленым. Аккумулятор можно оставить подключенным к зарядному устройству на неопределенное время, когда горит светодиод. Светодиод начнет мигать зеленым (зарядка), когда зарядное устройство будет периодически подзаряжать аккумулятор. Индикатор зарядки (9) будет гореть, пока аккумулятор находится в подключенном к сети зарядном устройстве.

- ◆ Заряжайте разряженные батареи 1 раз в неделю. Срок службы аккумуляторной батареи значительно уменьшается, если ее хранить в разряженном состоянии.

Хранение аккумуляторной батареи в зарядном устройстве

Зарядное устройство и аккумуляторную батарею можно оставить подключенными к сети с горящим светодиодным индикатором. Зарядное устройство будет поддерживать полную зарядку аккумуляторной батареи.

Диагностика зарядного устройства

При фиксировании неисправности самого зарядного устройства или аккумулятора, индикатор зарядки (9) начнет мигать красным светом в ускоренном режиме. Выполните следующее:

- ◆ извлеките и повторно вставьте аккумулятор (5).
- ◆ Если индикатор продолжает часто мигать красным светом, вставьте другой аккумулятор, чтобы убедиться, что процесс зарядки проходит в правильном режиме.
- ◆ Если сменный аккумулятор заряжается правильно, это означает, что первоначальный аккумулятор поврежден и должен быть сдан в сервисный центр на утилизацию.
- ◆ Если при установке сменного аккумулятора наблюдается то же частое мигание, что и при установке первоначального аккумулятора, отнесите зарядное устройство в сервисный центр для тестирования.

Примечание. На определение неисправности аккумуляторной батареи может понадобиться приблизительно 60 минут. Если аккумуляторная батарея очень горячая или очень холодная, красный светодиод будет попеременно мигать быстро и медленно.

Выбор направления вращения (рис. С)

Для затяжки используйте вращение вперед (по часовой стрелке). Для ослабления используйте обратное вращение (против часовой стрелки).

- ◆ Чтобы выбрать вращение по часовой стрелке, нажмите на реверсивный ползунковый переключатель (2) влево.

- ◆ Чтобы выбрать вращение против часовой стрелки, нажмите на реверсивный ползунковый переключатель вправо.
- ◆ Чтобы заблокировать инструмент, установите переключатель вперед/назад в центральное положение.

Выбор момента (рис. E)

Данный инструмент оснащен муфтой для установки крутящего момента для различных операций закручивания и сверления. Для больших шурупов и жестких рабочих материалов требуется больший крутящий момент, чем для маленьких шурупов и мягких материалов. См. обозначение значков в таблице ниже

- ◆ Для сверления отверстий в дереве, металле и пластмассе, установите муфту регулировки момента (4) в положение значка 1.
- ◆ Для завинчивания шурупов установите муфту в нужное положение настройки. Если вы не уверены в нужном значении, сделайте следующее.
 - ◆ Установите муфту регулировки момента (4) на минимальное значение.
 - ◆ Затяните первый шуруп.
 - ◆ Если муфта затрепещит до того, как вы добьетесь нужного результата, увеличьте значения настроек и продолжите затягивать шуруп. Повторяйте до тех пор, пока не найдете нужные значения настроек. Используйте эти настройки для остальных шурупов.

Переключатель скорости (рис. D)

- ◆ Для сверления стали и заворачивания шурупов переместите переключатель скорости (7) в направлении задней стороны инструмента (1-й передачи).
- ◆ Для сверления материалов, отличных от стали, сдвиньте переключатель скорости (7) к передней части инструмента (2-й передачи).

Сверление/завинчивание шурупов

- ◆ Выберите направление вращения с помощью переключателя (2).
- ◆ Чтобы включить инструмент нажмите на спусковой выключатель (1). Скорость инструмента зависит от степени нажатия на этот выключатель.
- ◆ Чтобы выключить инструмент отпустите спусковой выключатель.

Светодиодная рабочая подсветка

Светодиодная подсветка (6) включается при нажатии на пусковой выключатель. Светодиодная рабочая подсветка включается при частичном нажатии на пусковой выключатель, до того, как запустится сам инструмент.

Советы по оптимальному использованию

Сверление

- ◆ Прилагайте легкое усилие вдоль направления сверла.
- ◆ Снизьте усилие непосредственно перед тем, как сверло выйдет с другой стороны заготовки.
- ◆ Подпирайте заготовки, которые могут расколоться, куском дерева.
- ◆ Для высверливания крупных отверстий в дереве используйте лопаточные сверла.
- ◆ Для высверливания отверстий в металле используйте сверла из быстрорежущей стали (HSS).
- ◆ При сверлении неармированного бетона используйте сверла по бетону.
- ◆ При сверлении металлов, кроме чугуна и латуни, используйте смазку.
- ◆ Для увеличения точности перед высверливанием отверстия отметьте центральную точку с помощью кернера.

Закручивание шурупов

- ◆ Всегда используйте насадки для отвертки нужного типа и размера.
- ◆ Если винты закручиваются с трудом, попробуйте нанести небольшое количество жидкого моющего средства или мыла в качестве смазки.
- ◆ Всегда держите инструмент и наконечник отвертки на одной линии с винтом.

Техническое обслуживание

Электроинструмент Stanley Fat Max имеет длительный срок эксплуатации и требует минимальных затрат на техобслуживание. Для длительной безотказной работы необходимо обеспечить правильный уход за инструментом и его регулярную очистку.

Зарядное устройство не требует никакого обслуживания кроме регулярной очистки.

Осторожно! Перед выполнением любых работ по обслуживанию инструмента, снимайте аккумуляторную батарею с инструмента. Перед очисткой инструмента отсоедините его от зарядного устройства.

- ◆ Регулярно очищайте вентиляционные отверстия и зарядное устройство с помощью мягкой щетки или сухой тканевой салфетки.
- ◆ Регулярно очищайте корпус двигателя с помощью влажной салфетки. Не используйте никакие абразивные чистящие средства или средства на основе растворителей.
- ◆ Регулярно открывайте патрон и очищайте ее от грязи.

Защита окружающей среды



Отдельная утилизация. Изделия и аккумуляторные батареи с данным символом на маркировке запрещается утилизировать с обычными бытовыми отходами.

Изделия и аккумуляторные батареи содержат материалы, которые могут быть извлечены или переработаны, снижая потребность в исходном сырье.

Пожалуйста, утилизируйте электрические изделия и аккумуляторные батареи в соответствии с местными нормами. Дополнительная информация доступна по адресу www.2helpU.com

Технические характеристики

KFMCDD011		
Напряжение	$V_{\text{пост. тока}}$	10,8
Скорость холостого хода	мин^{-1}	0–400, 0–1500
Макс. крутящий момент (Рейтинг РТИ)	Нм	26
Внутренний размер сверлильного патрона	мм	10
Максимальный диаметр сверления в стали/дереве	мм	10/20
Вес	кг	1,0

Зарядное устройство N472239/N472243		
Входное напряжение	$V_{\text{перем. тока}}$	230
Выходное напряжение	$V_{\text{пост. тока}}$	22
Ток	А	1,25
Приблизительное время зарядки	мин	70 (1,5 Ач)

Аккумуляторная батарея FMC086L		
Напряжение	$V_{\text{пост. тока}}$	10,8
Емкость	Ач	1,5
Тип		Ионно-литиевая

Уровень звукового давления согласно EN 60745:	
Акустическое давление (L_{pA})	82,0 дБ(А), погрешность (К) 3 дБ(А)
Акустическая энергия (L_{WA})	93 дБ(А), погрешность (К) 3 дБ(А)

Общие значения вибрации (сумма триаксиального вектора), определенные в соответствии со стандартом EN 60745:	
Сверление в металле (a_{hV})	1,1 м/с^2 , погрешность (К) 1,5 м/с^2
Закручивание шурупов (a_{hV})	0,9 м/с^2 , погрешность (К) 1,5 м/с^2

Заявление о соответствии нормам ЕС

ДИРЕКТИВА ПО МЕХАНИЧЕСКОМУ ОБОРУДОВАНИЮ



Беспроводная дрель/шуруповерт - KFMCDD011

Stanley Europe заявляет, что продукция, описанная в «технических характеристиках» соответствует: 2006/42/ЕС, EN 60745-1:2009 +A1:2010, EN 60745-2-1:2010, EN 60745-2-2:2010

Эти продукты также соответствуют Директиве 2014/30/EU и 2011/65/EU. За дополнительной информацией обращайтесь в компанию Stanley Europe по адресу, указанному ниже или приведенному на задней стороне обложки руководства.

Нижеподписавшийся несет ответственность за составление технической документации и составил данную декларацию по поручению компании Stanley Europe.

Ray Laverick
Директор инженерного отдела
Stanley Europe, Egide Walschaertsstraat 14-18,
2800 Mechelen, Бельгия
16.05.2016

Гарантия

Компания Stanley Fat Max уверена в качестве своей продукции и предлагает клиентам гарантию на 12 месяцев с момента покупки. Данная гарантия является дополнительной и ни в коей мере не направлена на ущемление Ваших юридических прав. Гарантия действует на территории стран-участниц ЕС и в Европейской зоне свободной торговли.

Чтобы подать заявку по гарантии, заявка должна соответствовать положениям и условиям Stanley Fat Max; кроме того, Вам потребуется предъявить продавцу или авторизованному специалисту по ремонту подтверждение покупки. Положения и условия 1-летней гарантии Stanley Fat Max и местонахождение ближайшего авторизованного специалиста по ремонту можно узнать через Интернет по адресу www.2helpU.com, или связавшись с местным представительством Stanley Fat Max по адресу, указанному в данном руководстве.

Посетите наш веб-сайт www.blackanddecker.co.uk, чтобы зарегистрировать свое новое изделие Stanley Fat Max и получать информацию о новинках и специальных предложениях.

Kullanım amacı

Stanley Fat Max KFMCD011 matkap/tornavidanız vida takma/ sökme uygulamaları ve ahşap, metal ve plastik delme işlemleri için tasarlanmıştır. Bu alet profesyonel, özel ve profesyonel dışı kullanıma yöneliktir.

Güvenlik talimatları

Genel elektrikli alet güvenlik talimatları



Uyarı! Bütün güvenlik uyarılarını ve talimatlarını mutlaka okuyun. Aşağıda listelenen uyarı ve talimatlara uyulmaması elektrik şoku, yangın ve/veya ciddi boyutta yaralanmalara neden olabilir.

Bütün uyarı ve güvenlik talimatlarını ileride bakmak üzere muhafaza edin. Aşağıda yer alan uyarılardaki "elektrikli alet" terimi şebeke elektriğiyle (kablolu) veya akü/pille (şarjlı) çalışan elektrikli aletinizi ifade etmektedir.

1. Çalışma alanının güvenliği

- Çalışma alanınızı temiz ve aydınlık tutun.** Dağınık ve karanlık alanlar kazaya davetiye çıkarır.
- Elektrikli aletleri, yanıcı sıvılar, gazlar ve tozların bulunduğu yerler gibi yanıcı ortamlarda çalıştırmayın.** Elektrikli aletler, toz veya dumanları ateşleyebilecek kıvılcımlar çıkarır.
- Bir elektrikli aleti çalıştırırken çocuklardan ve etraftaki kişilerden uzak tutun.** Dikkatinizi dağıtıcı şeyler kontrolü kaybetmenize neden olabilir.

2. Elektrik güvenliği

- Elektrikli aletlerin fişleri prizlere uygun olmalıdır. Fiş üzerinde kesinlikle hiçbir değişiklik yapmayın. Topraklı elektrikli aletlerde hiçbir adaptör fişi kullanmayın.** Değiştirilmemiş fişler ve uygun prizler elektrik çarpması riskini azaltacaktır.
- Borular, radyatörler, mutfak ocakları ve buz dolapları gibi topraklanmış yüzeylerle vücudunuzun temas etmesini engelleyin.** Vücudunuzun topraklanması halinde yüksek bir elektrik çarpması riski vardır.
- Elektrikli aletleri yağmura maruz bırakmayın veya ıslatmayın.** Elektrikli alete su girmesi elektrik çarpması riskini arttıracaktır.
- Elektrik kablosunu uygun olmayan amaçlarla kullanmayın. Elektrikli aleti kesinlikle kablosundan tutarak taşımayın, çekmeyin veya prizden çıkartmayın.** Kabloyu sıcağın, yağdan, keskin kenarlardan veya hareketli parçalardan uzak tutun. Hasarlı veya dolaşmış kablolar elektrik çarpması riskini artırır.
- Elektrikli bir aleti açık havada çalıştırıyorsanız, açık havada kullanıma uygun bir uzatma kablosu kullanın.** Açık havada kullanıma uygun bir kablunun kullanılması elektrik çarpması riskini azaltır.

- Elektrikli aletin nemli ortamda çalıştırılması kaçınılmazsa, bir artık akım cihazı (RCD) korumalı besleme kullanın.** RCD kullanılması elektrik şoku riskini azaltır.

3. Kişisel güvenlik

- Elektrikli bir aleti kullanırken her zaman dikkatli olun, yaptığınız işe yoğunlaşın ve sağduyulu davranın. Elektrikli bir aleti yorgunken veya ilaç ya da alkolün etkisi altındayken kullanmayın.** Elektrikli aletleri kullanırken bir anlık dikkatsizlik ciddi kişisel yaralanmaya sonuçlanabilir.
- Kişisel koruyucu ekipman kullanın. Daima koruyucu gözlük takın.** Koşullara uygun toz maskesi, kaymayan güvenli ayakkabıları, baret veya kulaklık gibi koruyucu donanımların kullanılması kişisel yaralanmaları azaltacaktır.
- İstem dışı çalıştırılmasını önleyin. Cihazı güç kaynağına ve/veya akü takımına bağlamadan, yerden kaldırmadan veya taşımadan önce düğmenin kapalı konumda olduğundan emin olun.** Aleti, parmağınız tetik üzerinde bulunacak şekilde taşımak veya açık durumdaki elektrikli aletleri elektrik şebekesine bağlamak kazaya davetiye çıkarır.
- Elektrikli aleti açmadan önce tüm ayarlama anahtarlarını çıkartın.** Elektrikli aletin hareketli bir parçasına takılı kalmış bir anahtar kişisel yaralanmaya neden olabilir.
- Ulaşmakta zorlandığınız yerlerde kullanmayın. Daima sağlam ve dengeli basın.** Bu, beklenmedik durumlarda elektrikli aletin daha iyi kontrol edilmesine olanak tanır.
- Uygun şekilde giyinin. Bol elbiseler giymeyin ve takı takmayın. Şancınızı, elbiselerinizi ve eldivenlerinizi hareketli parçalardan uzak tutun.** Bol elbiseler ve takılar veya uzun saç hareketli parçalara takılabilir.
- Toz çekme ve toplama araç-gereçlerinin bağlanması için cihazlar verilmesi halinde, bunların uygun biçimde bağlanması ve kullanılmasını sağlayın.** Bu cihazların kullanılması tozla ilgili tehlikeleri azaltabilir.

4. Elektrikli aletlerin kullanımı ve bakımı

- Elektrikli aleti zorlamayın. Uygulamanız için doğru elektrikli aleti kullanın.** Doğru elektrikli alet, belirlediği kapasite ayarında kullanıldığında daha iyi ve güvenli çalışacaktır.
- Tetik açılmasını ve kapanmasını sağlamıyorsa elektrikli aleti kullanmayın.** Düğmeyle kontrol edilemeyen tüm elektrikli aletler tehlikelidir ve tamir edilmesi gerekmektedir.
- Herhangi bir ayarlama, aksesuar değişimi veya elektrikli aletlerin saklanması öncesinde fişi güç kaynağından çekin ve/veya aküyü aletten ayırın.**

Bu tür önleyici güvenlik tedbirleri elektrikli aletin istem dışı çalıştırılma riskini azaltacaktır.

- d. **Elektrikli aleti, çocukların ulaşamayacağı yerlerde saklayın ve elektrikli aleti kullanmayı veya bu talimatları bilmeyen kişilerin elektrikli aleti kullanmasına izin vermeyin.** Elektrikli aletler, eğitimsiz kullanıcıların elinde tehlikelidir.
- e. **Elektrikli aletlerin bakımını yapın. Hareketli parçalarındaki hizalama hatalarını ve tutuklulukları, parçalardaki kırılmalar ve elektrikli aletin çalışmasını etkileyebilecek tüm diğer koşulları kontrol edin. Hasarlı ise, elektrikli aleti kullanmadan önce tamir ettirin.** Kazaların çoğu, elektrikli aletlerin bakımının yeterli şekilde yapılmamasından kaynaklanır.
- f. **Kesim aletlerini keskin ve temiz tutun.** Bakımı uygun şekilde yapılmış keskin kesim uçlu kesim aletlerinin sıkışma ihtimali daha düşüktür ve kontrol edilmesi daha kolaydır.
- g. **Elektrikli aleti, aksesuarlarını ve aletin diğer parçalarını kullanırken bu talimatlara mutlaka uyun ve çalışma ortamının koşullarını ve yapılacak işin ne olduğunu göz önünde bulundurun.** Elektrikli aletin öngörülen işlemler dışındaki işlemler için kullanılması tehlikeli durumlara neden olabilir.

5. Akü kullanım ve bakımı

- a. **Yalnızca üretici tarafından belirtilen cihazla şarj edin.** Bir akü için uygun olan şarj cihazı başka bir akü ile kullanıldığında yangın tehlikesi yaratabilir.
- b. **Elektrikli aletleri yalnızca özel olarak tanımlanmış akü paketleriyle kullanın.** Başka bir akü paketinin kullanılması yaralanma veya yangın riskine yol açabilir.
- c. **Akü kullanılmadığında, iki kutbu birbirine temas ettirebilecek ataş, bozuk para, anahtar, çivi, vida ve diğer küçük metal nesnelere uzak tutun.** Akü kutuplarının kısa devre yaptırılması yangın veya yangına neden olabilir.
- d. **Kötü şartlar altında, akü sıvı sızdırabilir, temastan kaçının. Yanlışlıkla temas halinde, suyla yıkayın. Sıvı gözlerle temas ederse, ayrıca doktora da başvurun.** Aküden sızan sıvı tahriş veya yanıklara neden olabilir.

6. Servis

- a. **Elektrikli aletinizi, sadece orijinal yedek parçaların kullanıldığı yetkili servise tamir ettirin.** Bu, elektrikli aletin güvenliğinin muhafaza edilmesini sağlayacaktır.

Elektrikli aletler için ek güvenlik talimatları



Uyarı! Matkap ve darbeli matkaplar için ek güvenlik talimatları

- ◆ **Darbeli matkapları kullanırken kulaklık takın.** Gürültüye maruz kalınması, işitme kaybına yol açabilir.

- ◆ **Aletle birlikte verilmiş olan yardımcı tutma kollarını kullanın.** Kontrol kaybı yaralanmaya neden olabilir.
- ◆ **Sabitleyicinin, gömülü elektrik kablolarına temas etmesine yol açabileceği durumlarda aleti izole edilmiş saplarından tutun.** Sabitleyicilerin elektrik akımı bulunan kablolarla teması halinde akım elektrikli aletin iletken metal parçaları üzerinden operatöre iletilerek elektrik çarpmasına yol açabilir.
- ◆ **Üzerinde çalıştığınız parçayı sabitlemek ve desteklemek için kelepçeler veya başka pratik yöntemler kullanın.** İş parçasını elle tutmak veya vücudunuza dayamak dengesizliğe ve kontrol kaybına neden olabilir.
- ◆ Bu cihaz, güvenliklerinden sorumlu kişi gözetiminde cihazın kullanımı hakkında bilgi verilmeksizin, sınırlı fiziksel (çocuklar dahil), duyuşal veya zihinsel kapasiteli veya deneyimsiz ve bilgisiz kişiler tarafından kullanılmalıdır. Cihazla oynamadıklarından emin olmak için çocuklar gözetim altında tutulmalıdır.
- ◆ Kullanım amacı, kullanım kılavuzunda tanımlanmıştır. Herhangi bir aksesuarın veya bağlantının ya da işlemin, bu kılavuzda tavsiye edilen şekilden başka bir şekilde kullanılması şahısların yaralanmalarına ve/veya mal kaybına yol açabilir.

Diğer kişilerin güvenliği

- ◆ Bu cihaz 8 yaşın üzerinde çocuklar ile fiziksel, duyuşal veya zihinsel kapasitesi düşük ya da deneyimi ve bilgisi olmayan kişilerce yalnızca dikkatli gözetim altında ve cihazın güvenli şekilde kullanımı ile cihazla ilgili riskler hakkında bilgi verildikten sonra kullanılabilir.
- ◆ Çocuklar cihazla oynamamalıdır. Kullanıcı tarafından yapılacak temizlik ve bakım işlemleri gözetim olmaksızın çocuk tarafından yapılmamalıdır.

Kalıcı riskler.

Alet kullanılırken, ekteki güvenlik uyarılarında bulunmayan ek kalıcı riskler oluşabilir. Bu riskler, yanlış kullanım, uzun süreli kullanım vb. sonucu oluşabilir.

İlgili güvenlik talimatlarına uyulması ve güvenlik aletlerinin kullanılması halinde bile bazı kalıcı riskler engellenemeyebilir. Bunlar aşağıdakileri içermektedir:

- ◆ Dönen/hareket eden parçalara dokunarak yaralanmalar.
- ◆ Parça, bıçak veya aksesuar değiştirirken oluşan yaralanmalar.
- ◆ Aletin uzun süreli kullanılmasıyla oluşan yaralanmalar. Herhangi bir alet uzun süre kullanıldığında düzenli aralar vermeye özen gösterin.
- ◆ İşitme kaybı.
- ◆ Alet kullanılırken oluşan tozun solunmasıyla ortaya çıkan sağlık sorunları (örneğin: ahşap, özellikle meşe, ağartıcı ve MDF ile çalışırken.)

Titreşim

Teknik veriler ve uygunluk beyanati içerisinde belirtilen titreşim emisyon değerleri EN 60745 tarafından belirlenen standart bir test yöntemine uygun olarak ölçülmektedir ve diğer bir aletle karşılaştırma yaparken kullanılabilir. Beyan edilen titreşim emisyon değeri aynı zamanda maruz kalmanın önceden değerlendirilmesinde de kullanılabilir.

Uyarı! Elektrikli aletin mevcut kullanımı sırasındaki titreşim emisyon değeri, aletin kullanım yöntemine bağlı olarak, beyan edilen değere göre farklılık sergileyebilir. Titreşim düzeyi belirlenen seviyenin üzerinde artış gösterebilir.

İş yerinde düzenli olarak elektrikli alet kullanan çalışanları korumak amacıyla 2002/44/EC tarafından getirilen elektrik güvenliği önlemlerini belirlemek üzere titreşime maruz kalmayı değerlendirirken, çalışma döngüsü içerisinde örneğin aletin kapalı olduğu ve aktif durumda olmasının yanı sıra boşta çalıştığı zamanlar gibi, bütün zaman dilimleri dahil olmak üzere mevcut kullanım durumu ve aletin kullanım şekli göz önünde bulundurularak değerlendirilmelidir.

Alet üzerindeki etiketler

Aşağıdaki semboller, tarih kodu ile birlikte cihazın üzerinde yer almaktadır:



Uyarı! Yaralanma riskini en aza indirmek için kullanıcı kullanım talimatlarını mutlaka okumalıdır.

Aküler ve şarj aygıtları için ek emniyet talimatları

Aküler

- ◆ Kesinlikle, hiçbir nedenle açmaya çalışmayın.
- ◆ Aküleri suya maruz bırakmayın.
- ◆ Sıcaklığın 40 °C'yi aşabileceği yerlerde saklamayın.
- ◆ Sadece 10 °C ila 40 °C arasındaki ortam sıcaklıklarında şarj edin.
- ◆ Sadece aletle birlikte verilen şarj cihazını kullanarak şarj edin.
- ◆ Aküleri atarken "Çevrenin Korunması" başlıklı bölümde verilen talimatları uygulayın.



Hasarlı aküleri şarj etmeye çalışmayın.

Şarj cihazları

- ◆ Stanley Fat Max şarj cihazınızı, yalnızca aletle birlikte verilen aküyü şarj etmek için kullanın. Diğer aküler patlayarak yaralanmanıza veya hasar meydana gelmesine yol açabilir.
- ◆ Şarj edilme özelliği olmayan aküleri kesinlikle şarj etmeye çalışmayın.
- ◆ Kusurlu kabloların hemen değiştirilmesini sağlayın.
- ◆ Aküleri suya maruz bırakmayın.
- ◆ Şarj cihazını açmayın.

- ◆ Şarj cihazını kurcalamayın.



Şarj cihazı sadece kapalı alanda kullanıma uygundur.



Kullanmadan önce kullanım kılavuzunu okuyun.

Elektrik güvenliği



Şarj cihazınız çift yalıtımlıdır bu yüzden hiçbir topraklama kablosuna gerek yoktur. Her zaman şebeke geriliminin aletin üretim etiketinde belirlenmiş değerlere uyup uymadığını kontrol edin. Şarj cihazı ünitesini kesinlikle normal bir elektrik fişi ile değiştirmeye kalkışmayın.

- ◆ Elektrik kablosu hasarlı ise, bir tehlike oluşmasını önlemek için üretici ya da yetkili Stanley Fat Max Servis Merkezi tarafından değiştirilmelidir.

Özellikler

Bu alet, aşağıdaki özelliklerin bir kısmını veya tümünü içermektedir.

1. Değişken hız anahtarı
2. İleri/geri sürgüsü
3. Mandren
4. Kovan rakoru
5. Akü
6. LED çalışma lambası
7. Hız seçme düğmesi

Şekil A

8. Şarj cihazı
9. Şarj göstergesi

Montaj

Uyarı! Monte etmeden önce, aküyü aletten çıkartın.

Akünün takılması ve çıkartılması (Şekil B)

- ◆ Aküyü (5) takmak için, alet üzerindeki yuva ile aynı hizaya getirin. Aküyü yuvasına kaydırın ve yerine oturana kadar itin.
- ◆ Aküyü çıkartmak için, çıkartma düğmelerine (5a) basın ve aynı anda aküyü yuvadan çekin.

Bir matkap veya tornavida ucunun takılması ve çıkartılması

Bu alet, uçların kolayca değiştirilmesini sağlamak için anahtar-sız bir mandren ile donatılmıştır.

- ◆ İleri/geri sürgüsünü (2) orta konuma getirerek aleti kilitleyin.
- ◆ Mandreni (3) kavrayın ve mandren ucundan görüldüğü şekliyle saat yönünün tersine çevirin.
- ◆ Uç milini mandrene sokun.

- ◆ Mandreni, mandren ucundan görüldüğü şekliyle saat yönünde çevirerek iyice sıkın.

Uyarı! Mandrenin ön kısmını tutup aleti çevirerek matkap ucu (veya başka herhangi bir aksesuar) takmayı denemeyin. Aksesuarların bu şekilde değiştirilmesi mandrende hasara veya yaralanmaya neden olabilir.

Kullanım

Uyarı! Aletin kendi hızında çalışmasına izin verin. Aşırı yüklenmeyin.

Aküyü şarj etme (şkl. A)

Akünün, ilk kullanımdan önce ve daha önce kolayca yapılan işler için yeterli güç üretemediği hallerde şarj edilmesi gereklidir. Akü şarj sırasında ısınabilir; bu normaldir ve bir sorun olduğu anlamına gelmez.

Uyarı! Aküyü, 10°C'nin altında veya 40°C'nin üzerindeki sıcaklıklarda şarj etmeyin. Tavsiye edilen şarj sıcaklığı: yaklaşık 24°C.

Not: Hücre sıcaklığı yaklaşık olarak 10°C'nin altında ya da 40°C'nin üzerinde ise, şarj cihazı aküyü şarj etmez.

Akü şarj cihazının içinde bırakılmaldır ve hücre ısındığında ya da soğuduğunda şarj cihazı otomatik olarak şarj etmeye başlayacaktır.

- ◆ Aküyü (5) şarj etmek için şarj cihazına (8) takın. Akü, şarj yuvasına sadece tek yönde takılabilir. Zorlamayın. Akünün şarj yuvasına tümüyle oturduğundan emin olun.
- ◆ Şarj cihazını prize takın ve şebeke elektrigiyle şarj edin. Şarj göstergesi (9) sürekli olarak yeşil renkte yanıp söner (yavaşıca).
- ◆ Şarj göstergesi (9) sabit olarak yeşil yanıyorsa şarj tamamlanmıştır. LED yanar şekilde şarj cihazı ve akü, sürekli bağlı konumda bırakılabilir. Şarj cihazı bazen akü şarjını tamamen doldurduğunda LED yanıp sönen yeşil (şarj oluyor) durumuna geçer. Akü, prize takılı şarj cihazına bağlı olduğu sürece şarj göstergesi (9) yanar.
- ◆ Boşalmış pilleri 1 hafta içerisinde şarj edin. Akü, şarjı boşalmış şekilde depoya kaldırıldığında akü ömrü azalır.

Akünün şarj cihazında bırakılması

Akü, LED yanıyor şekilde sonsuza kadar şarj cihazına bağlı olarak bırakılabilir. Şarj cihazı, aküyü yeni ve tam şarj edilmiş olarak koruyacaktır.

Şarj cihazı arıza teşhisi

Şarj cihazı bir akünün zayıf veya hasarlı olduğunu algılasa, şarj göstergesi (9) hızlı olarak kırmızı yanıp söner. Aşağıdaki işlemlerle devam edin:

- ◆ Aküyü (5) tekrar takın.
- ◆ Şarj göstergesi hızlı bir şekilde kırmızı yanıp sönmeye devam ederse, şarj işleminin düzgün çalışıp çalışmadığını belirlemek için farklı bir akü kullanın.

- ◆ Değiştirilen akü doğru bir şekilde şarj oluyorsa, orijinal akü arızalıdır ve geri dönüşüm için bir servis merkezine gönderilmelidir.
- ◆ Yeni akü orijinal akü ile aynı belirtiyi veriyorsa, şarj cihazını test edilmesi için yetkili bir servis merkezine götürün.

Not: Akünün arızalı olduğunu belirlemek yaklaşık 60 dakika sürebilir. Akü çok sıcak veya çok soğuksa, LED dönüşümlü olarak kırmızı, hızlı ve yavaş yanıp söner, her hızda bir kez yanıp söner ve tekrarlanır.


Dönüş yönünün seçme (Şekil C)

Sıkma için ileri (saat yönünde) dönüşü kullanın. Gevşetmek için, geri (saat yönünün tersine) dönüşü kullanın.

- ◆ İleri dönmeyi seçmek için ileri/geri sürgüsünü (2) sola itin.
- ◆ Geri dönmeyi seçmek için ileri/geri sürgüsünü sağa itin.
- ◆ Aleti kilitlemek için ileri/geri sürgüsünü orta konuma getirin.

Tork seçimi (Şekil E)

Bu alette, torku çeşitli vidalama ve delme uygulamalarına ayarlamak için bir bilezik mevcuttur. Büyük vidalar ve üzerinde çalışılan sert malzemeler küçük vidalara ve yumuşak malzemelere göre daha yüksek bir tork ayarı gerektirir. Simgenin tanımını için aşağıdaki listeye bakın

- ◆ Ahşap, metal ve plastiklerde delmek için tork ayar bileziğini (4)  simgesine ayarlayın.
- ◆ Vida takma ve sökmeye işlemleri için bileziği istediğiniz konuma getirin. Henüz uygun ayarı bilmiyorsanız, aşağıda belirtildiği şekilde ilerleyin.
- ◆ Bileziği (4) en düşük tork ayarına getirin.
- ◆ İlk vidayı sıkın.
- ◆ İstlenen sonuç elde edilmeden önce kavrama mandallarına ulaşırsanız, bilezik ayarını artırın ve sıkmaya devam edin. Doğru ayara ulaşıncaya kadar tekrarlayın. Kalan vidalar için de bu ayarı kullanın.

Hız seçme düğmesi (şekil D)

- ◆ Çelik delme ve vidalama uygulamaları için hız seçiciyi (7) aletin arkasına doğru (1. hız) kaydırın.
- ◆ Çelik haricindeki malzemeleri delme uygulamaları için hız seçiciyi (7) aletin önüne doğru (2. hız) kaydırın.

Delme/vidalama

- ◆ İleri/geri sürgüyü (2) kullanarak ileri veya geri döndürmeyi seçin.
- ◆ Aleti açmak için, tetiğe (1) basın. Aletin hızı, düğmeye ne kadar bastığınıza bağlıdır.
- ◆ Aleti kapatmak için, tetiği serbest bırakın.

LED çalışma lambası

LED çalışma lambası (6) tetiğe basıldığında otomatik olarak devreye girer. Ünite çalışmaya başlamadan önce tetiğe kısmen basıldığında LED çalışma lambası yanar.

Yararlı tavsiyeler

Delme

- ◆ Daima matkap ucuna düz bir hatta hafif bir baskı uygulayın.
- ◆ Matkap ucu, üzerinde çalıştığınız parçanın öbür yüzünden çıkmadan alet üzerindeki baskıyı azaltın.
- ◆ Parçalanabilecek parçaları desteklemek için ağaç bir takoz kullanın.
- ◆ Ahşapta büyük çaplı delikler delerken geniş ağızlı uç kullanın.
- ◆ Metali delerken HSS matkap uçları kullanın.
- ◆ Beton delerken beton uçları kullanın.
- ◆ Döküm demir ve pirinç dışındaki metalleri delerken bir yağlayıcı kullanın.
- ◆ Doğruluğu artırmak için, delinecek yerin ortasına bir merkez zımbası ile çentik atın.

Vidalama

- ◆ Daima doğru tipte ve boyutta tornavida ucu kullanın.
- ◆ Vidaları sıkmakta zorlanıyorsanız, yağlayıcı olarak az miktarda deterjan veya sabun kullanmayı deneyin.
- ◆ Aleti ve tornavida ucunu daima vidaya dik bir hatta tutun.

Bakım

Stanley Fat Max aletiniz en az bakımla uzun bir süre çalışacak şekilde tasarlanmıştır. Aletin uzun süre boyunca verimli bir şekilde çalışması, uygun bakımın ve düzenli temizliğin yapılmasına bağlıdır.

Şarj cihazınızı, düzenli temizlik dışında herhangi bir bakım gerektirmemektedir.

Uyarı! Alet üzerinde herhangi bir bakım yapmadan önce aküyü aletten çıkartın. Şarj cihazını temizlemeden önce fişten çekin.

- ◆ Aletinizdeki ve şarj cihazındaki havalandırma deliklerini yumuşak bir fırça veya kuru bir bezle düzenli olarak temizleyin.
- ◆ Motor muhafazasını nemli bir bezle düzenli olarak temizleyin. Aşındırıcı veya çözücü madde içeren temizleyiciler kullanmayın.
- ◆ Düzenli aralıklarla mandreni açın ve hafifçe vurarak iç kısımdaki tozların dökülmesini sağlayın.

Çevrenin korunması



Ayrı toplama. Bu sembole işaretlenen ürünler ve bataryalar normal evsel atıklarla birlikte atılmamalıdır.

Ürünler ve bataryalar, ham madde ihtiyacını azaltabilecek geri kazanılabilir veya geri dönüştürülebilir materyaller içerir. Lütfen elektrikli aletleri ve bataryaları yerel hükümler doğrultusunda geri dönüşüme tabi tutun.

Daha fazla bilgi aşağıdaki adreste mevcuttur
www.2helpU.com

Teknik veriler

		KFMCD011
Voltaaj	V_{DC}	10,8
Yüksüz devir	Dak^{-1}	0-400, 0-1500
Maks. tork (PTI Derecesi)	Nm	26
Mandren kapasitesi	mm	10
Maks Delme kapasitesi Çelik/Ahşap	mm	10/20
Ağırlık	kg	1,0

		N472239/N472243
Giriş Voltaajı	V_{AC}	230
Çıkış Voltaajı	V_{DC}	22
Akım	A	1,25
Yaklaşık şarj süresi	dak.	70 (1,5AH)

		FMC086L
Voltaaj	V_{DC}	10,8
Kapasite	Ah	1,5
Tip		Li-iyon

EN 60745'e göre ses basıncı düzeyi:

Ses basıncı (L_{pA}) 82,0 dB(A), belirsizlik (K) 3 dB(A)

Ses gücü (L_{WA}) 93 dB(A), belirsizlik (K) 3 dB(A)

EN 60745'e uygun olarak titreşim toplam değerleri (triaksi vektör toplamı):

Metal kesme ($a_{h,D}$) 1,1 m/s^2 , belirsizlik (K) 1,5 m/s^2
Vidalama (a_v) 0,9 m/s^2 , belirsizlik (K) 1,5 m/s^2

AT uygunluk beyanati

MAKİNE YÖNETMELİĞİ



Şarjlı Matkap/Malama Aleti - KFMCD011

Stanley Europe, "teknik veriler" altında tanımlanan bu ürünlerin aşağıdakilere uygun olduğunu beyan eder:

2006/42/EC, EN 60745-1:2009 +A1:2010,
EN 60745-2-1:2010, EN 60745-2-2:2010

Bu ürünler ayrıca 2014/30/EU ve 2011/65/EU Direktifleri ile uyumludur. Daha fazla bilgi için, lütfen aşağıdaki adresten Stanley Europe ile irtibata geçin veya kılavuzun arkasına bakın.

Bu belge altında imzası bulunan yetkili, teknik dosyanın derlenmesinden sorumludur ve bu beyanı Stanley Europe adına vermiştir.



Ray Laverick
Mühendislik Müdürü
Stanley Europe, Egide Walschaertsstraat14-18,
2800 Mechelen, Belçika
16.05.2016

Garanti

Stanley Fat Max ürün kalitesine güvenir ve tüketicilerine, satın almadan itibaren 12 aylık bir garanti sunar. Bu garanti yasal haklarınıza bir ek olup bunları hiçbir şekilde etkilemez. Garanti, Avrupa Birliği Üyesi Ülkeler ve Avrupa Serbest Ticaret Bölgesi alanlarında geçerlidir.

Garanti hakkını kazanmak için, talebin Stanley Fat Max Hüküm ve Koşulları ile uyumlu olması ve satın alma belgenizi satıcıya veya yetkili onarım temsilcisine göndermeniz gerekir. Stanley Fat Max 1 yıllık garanti hüküm ve koşulları ve size en yakın yetkili onarım temsilcisi merkezi, İnternet'ten, www.2helpU.com adresinden veya bu kılavuzda belirtilen adresteki yerel Stanley Fat Max ofisi ile temas kurularak edinilebilir.

Yeni Stanley Fat Max ürününüzü kaydettirmek, yeni ürünler ve özel teklifler hakkında sürekli güncel bilgi almak üzere www.blackanddecker.co.uk adresindeki web sitemizi ziyaret edin.

België/Belgique	Stanley Fat Max E. Walschaertstraat 14-16 2800 Mechelen Belgium	De. Tel. +32 70 220 065 Fr. Tel. +32 70 220 066 Fax +32 15 473 799 www.stanleytools.eu Enduser.be@SBDinc.com
Danmark	Stanley Fat Max Farveland 1B 2600 Glostrup	Tel. 70 20 15 10 Fax 70 22 49 10 www.stanleyworks.dk
Deutschland	Stanley Fat Max Richard Klinger Str. 11, D - 65510 Idstein	Tel. 06126 21-1 Fax 06126 21-2770
Ελλάδα	Stanley Fat Max. Στράβωνος 7 & Λεωφ. Βουλιαγμένης 159 Γλυφάδα 166 74 - Αθήνα	Τηλ. +30 210 8981-616 Φαξ +30 210 8983-285 www.stanleyworks.gr
España	Stanley Fat Max. Parc de Negocis "Mas Blau" Edificio Muntadas, c/Bergadá, 1, Of. A6 08820 El Prat de Llobregat (Barcelona)	Tel. 934 797 400 Fax 934 797 419 respuesta.postventa@sbdinc.com www.stanleyworks.es
France	Stanley Fat Max 5 allée des Hêtres B.P. 30084 69579 Limonest Cédex	Tel. 04 72 20 39 20 Fax 04 72 20 39 00 www.stanleyouillage.fr
Helvetia	Stanley Fat Max In der Luberzen 40 8902 Urdorf	Tel. 01 730 67 47 Fax 01 730 70 67 www.stanleyworks.de
Italia	Stanley Fat Max EnergyPark-Building 03 sud, Via Monza 7/A 20871 Vimercate (MB)	Tel. 039-9590200 Fax 039-9590313 www.stanley.it
Nederland	Stanley Fat Max Joulehof 12, 4600 RG Bergen op Zoom	Tel. +31 164 283 065 Fax +31 164 283 200 Enduser.NL@SBDinc.com
Norge	Stanley Fat Max Postboks 4613, Nydalen 0405 Oslo	Tlf. 45 25 13 00 Fax 45 25 08 00
Österreich	Stanley Fat Max Oberlaaerstraße 248, A-1230 Wien	Tel. 01 66116-0 Fax 01 66116-614 www.stanleyworks.de
Portugal	Stanley Fat Max Centro de Escritórios de Sintra Avenida Almirante Gago Coutinho, 132/134, Edifício 142710-418 Sintra 2710-418 Lisboa	Tel. 214667500 Fax 214667575 resposta.posvenda@sbdinc.com
Suomi	Stanley Fat Max Tekniikantie 12, 02150 Espoo	Puh. 010 400 430 Faksi 0800 411 340 www.stanleyworks.fi
Sverige	Stanley Fat Max Box 94, 431 22 Mölndal	Tel. 031-68 61 00 Fax 031-68 60 08
Türkiye	Stanley Fat Max KALE Hırdavat ve Makina A.Ş. Defterdar Mah. Savaklar Cad. No:15 Edirnekapı / Eyüp / İSTANBUL 34050	Puh. 0212 533 52 55 Faks 0212 533 10 05 www.stanleyworks.fi
United Kingdom	Stanley Fat Max 210 Bath Road Slough, Berkshire SL1 3YD	Tel. +44 (0)1753 511234 Fax +44 (0)1753 551155 www.stanleytools.co.uk
Middle East & Africa	Stanley Fat Max P.O.Box - 17164 Jebel Ali (South Zone), Dubai, UAE	Tel. +971 4 8127400 Fax +971 4 8127036 www.stanleyworks.ae