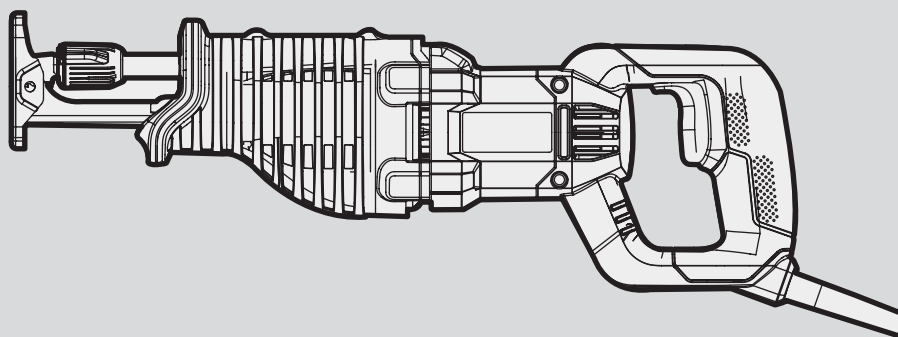
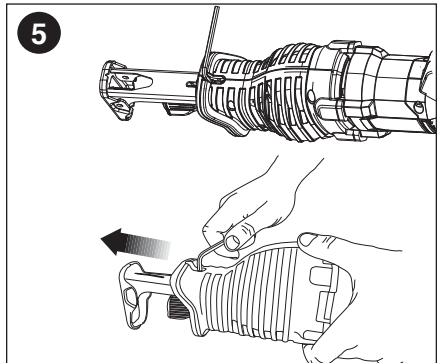
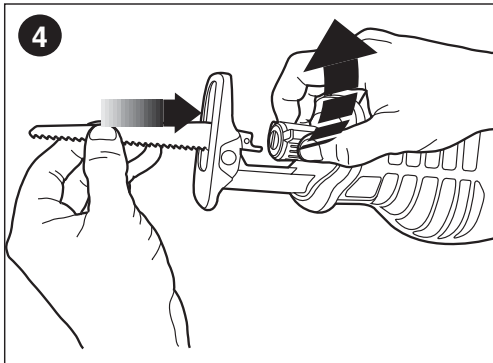
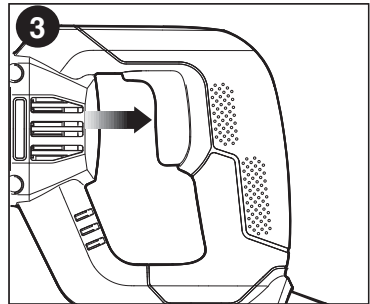
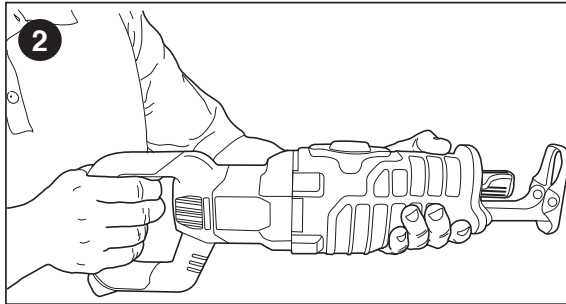
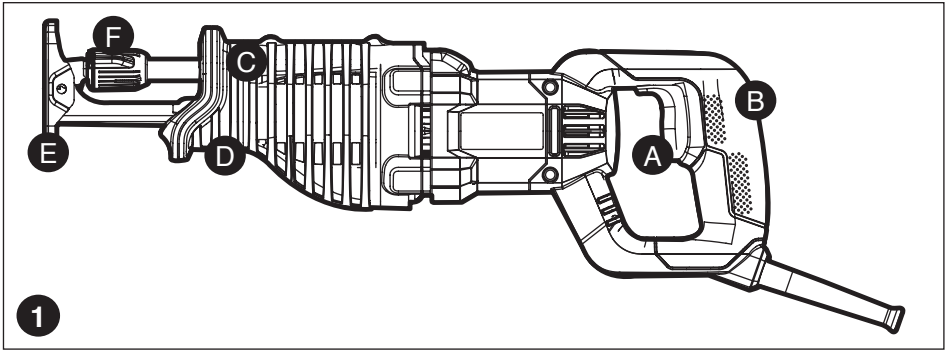


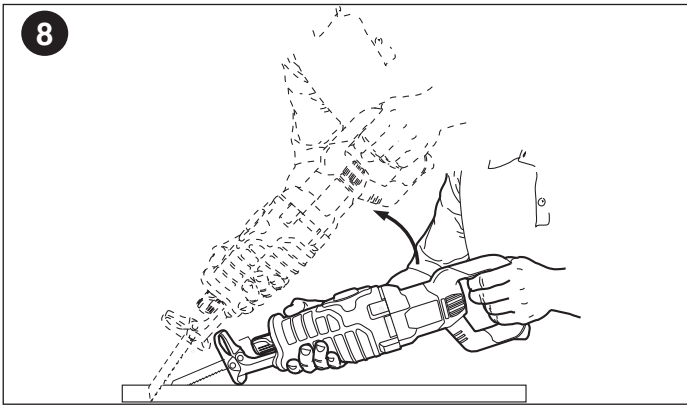
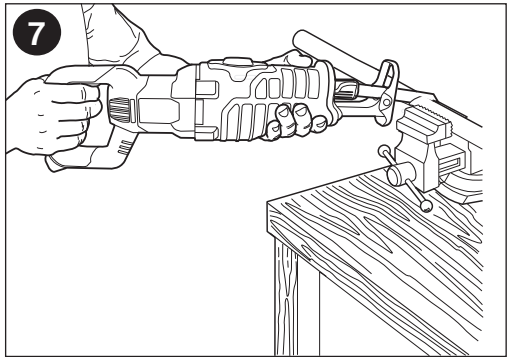
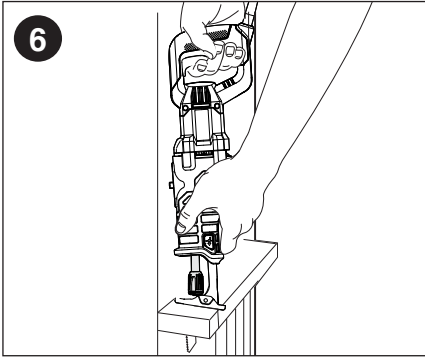
# STANLEY



**STPT0900**

English(Original)	Page	4
Russian	Page	12
Ukrainian	Page	22





## Intended use

Your STANLEY hand-held saw has been designed for sawing wood, plastics and sheet metal.

## General safety rules

**Warning! Read all instructions.** Failure to follow all instructions listed below may result in electric shock, fire and/or serious injury. The term "power tool" in all of the warnings listed below refers to your mains operated (corded) power tool or battery operated (cordless) power tool.

## Save these instructions

### 1. Work area

- a. **Keep work area clean and well lit.** Cluttered and dark areas invite accidents.
- b. **Do not operate power tools in explosive atmospheres, such as in the presence of flammable liquids, gases or dust.** Power tools create sparks which may ignite the dust or fumes.
- c. **Keep children and bystanders away while operating a power tool.** Distractions can cause you to lose control.

### 2. Electrical safety

- a. **Power tool plugs must match the outlet. Never modify the plug in any way. Do not use any adapter plugs with earthed (grounded) power tools.**  
Unmodified plugs and matching outlets will reduce risk of electric shock.
- b. **Avoid body contact with earthed or grounded surfaces such as pipes, radiators, ranges and refrigerators.** There is an increased risk of electric shock if your body is earthed or grounded.
- c. **Do not expose power tools to rain or wet conditions.**  
Water entering a power tool will increase the risk of electric shock.
- d. **Do not abuse the cord. Never use the cord for carrying, pulling or unplugging the power tool. Keep cord away from heat, oil, sharp edges or moving parts.** Damaged or entangled cords increase the risk of electric shock.
- e. **When operating a power tool outdoors, use an extension cord suitable for outdoor use.** Use of a

cord suitable for outdoor use reduces the risk of electric shock.

- f. **If operating a power tool in a damp location is unavoidable, use a residual current device (RCD) protected supply.** Use of an RCD reduces the risk of electric shock.
- ### 3. Personal safety
- a. **Stay alert, watch what you are doing and use common sense when operating a power tool. Do not use a power tool while you are tired or under the influence of drugs, alcohol or medication.** A moment of inattention while operating power tools may result in serious personal injury.
  - b. **Use safety equipment. Always wear eye protection.** Safety equipment such as dust mask, non-skid safety shoes, hard hat, or hearing protection used for appropriate conditions will reduce personal injuries.
  - c. **Prevent unintentional starting. Ensure the switch is in the off-position before connecting to power source and/or battery pack, picking up or carrying the tool.** Carrying power tools with your finger on the switch or energising power tools that have the switch on invites accidents.
  - d. **Remove any adjusting key or wrench before turning the power tool on.** A wrench or a key left attached to a rotating part of the power tool may result in personal injury.
  - e. **Do not overreach. Keep proper footing and balance at all times.** This enables better control of the power tool in unexpected situations.
  - f. **Dress properly. Do not wear loose clothing or jewellery. Keep your hair, clothing and gloves away from moving parts.** Loose clothes, jewellery or long hair can be caught in moving parts.
  - g. **If devices are provided for the connection of dust extraction and collection facilities, ensure these are connected and properly used.** Use of these devices can reduce dust related hazards.

4. Power tool use and care

- a. **Do not force the power tool. Use the correct power tool for your application.** The correct power tool will do the job better and safer at the rate for which it was designed.
- b. **Do not use the power tool if the switch does not turn it on and off.** Any power tool that cannot be controlled with the switch is dangerous and must be repaired.
- c. **Disconnect the plug from the power source and/or the battery pack from the power tool before making any adjustments, changing accessories, or storing power tools.** Such preventive safety measures reduce the risk of starting the power tool accidentally
- d. **Store idle power tools out of the reach of children and do not allow persons unfamiliar with the power tool or these instructions to operate the power tool.** Power tools are dangerous in the hands of untrained users.
- e. **Maintain power tools. Check for misalignment or binding of moving parts, breakage of parts and any other condition that may affect the power tools operation. If damaged, have the power tool repaired before use.** Many accidents are caused by poorly maintained power tools.
- f. **Keep cutting tools sharp and clean.** Properly maintained cutting tools with sharp cutting edges are less likely to bind and are easier to control.
- g. **Use the power tool, accessories and tool bits etc., in accordance with these instructions, taking into account the working conditions and the work to be performed.** Use of the power tool for operations different from those intended could result in a hazardous situation.

5. Service

- a. **Have your power tool serviced by a qualified repair person using only identical replacement parts.** This will ensure that the safety of the power tool is maintained.

Additional power tool safety warnings



**Warning!** Additional safety warnings for hand-held saws.

- **Hold power tool by insulated gripping surfaces, when performing an operation where the cutting accessory may contact hidden wiring or its own cord.** Cutting accessory contacting a "live" wire may

make exposed metal parts of the power tool "live" and could give the operator an electric shock.

- **Use clamps or another practical way to secure and support the work piece to a stable platform.** Holding the work by hand or against your body leaves it unstable and may lead to loss of control.
- **Hold saw firmly with both hands for all cutting operations.** During cutting operations, the blade may suddenly bind in the work and may cause the saw to kickback towards the operator.
- **Keep hands away from cutting area.** Never reach underneath the material for any reason. Hold front of saw by grasping the contoured gripping area. Do not insert fingers or thumb into the vicinity of the reciprocating blade and blade clamp. Do not stabilize the saw by gripping the shoe.
- **Keep blades sharp.** Dull blades may cause the saw to swerve or stall under pressure.
- **Use extra caution when cutting overhead** and pay particular attention to overhead wires, gas or water lines, which may be hidden from view. Anticipate the path of falling branches and debris ahead of time.
- **When cutting pipe or conduit** ensure that they are free from water, electrical wiring, etc.
- **Do not touch the work piece or the blade immediately after operating the tool.** They can become very hot.

Labels on tool

The label on your tool may include the following symbols:

	Read Instructions Manual	Hz ..... Hertz		Class II Construction
	Use Eye Protection	W ..... Watts		Earthing Terminal
	Use Ear Protection	min ..... minutes		Safety Alert Symbol
			...../min..	Revolutions or Reciprocation per minute
V ..... Volts		$n_0$ ..... No-Load Speed		
A ..... Amperes				

Position of date barcode

The Date Code, which also includes the year of manufacture, is printed into the housing.

Example:

2014 XX JN  
Year of manufacturing

## Electrical safety



This tool is double insulated; therefore no earth wire is required. Always check that the power supply corresponds to the voltage on the rating plate.

- This appliance is not intended for use by young or infirm persons without supervision. Children must be supervised to ensure they do not play with the appliance.
- If the supply cord is damaged, it must be replaced by the manufacturer or an authorised STANLEY Service Centre in order to avoid a hazard.

## Residual risks

Additional residual risks may arise when using the tool which may not be included in the enclosed safety warnings. These risks can arise from misuse, prolonged use etc.

Even with the application of the relevant safety regulations and the implementation of safety devices, certain residual risks cannot be avoided. These include:

- Injuries caused by touching any rotating/moving parts.
- Injuries caused when changing any parts, blades or accessories.
- Injuries caused by prolonged use of a tool. When using any tool for prolonged periods make sure you take regular breaks.
- Impairment of hearing.
- Health hazards caused by breathing dust developed when using your tool (example:- working with wood, especially oak, beech and MDF).

## Features (Fig. 1)

- Trigger Switch
- Main Handle
- Secondary Gripping Handle
- Adjustable Shoe Screws
- Adjustable Shoe
- Blade Clamp

## Assembly and Adjustment



**Warning: CUT HAZARD.** Turn off and disconnect tool from power source before making any adjustments or removing or installing attachments or accessories.



**Warning:** Hold saw firmly with both hands for all cutting operations.



**Warning:** Inspect work area for hidden electrical wiring, gas pipes or water pipes before making blind or plunge cuts. Failure to do so may result in electrical shock, fire, explosion, or property damage.



**Warning: CUTHAZARD.** Blade breakage may occur if the blade does not extend past the shoe and the workpiece during the cut. Increased risk of personal injury, as well as damage to the shoe and workpiece may result.



**Warning: ALWAYS use safety glasses.** Everyday eyeglasses are NOT safety glasses. Also use face or dust mask if cutting operation is dusty. ALWAYS WEAR CERTIFIED SAFETY EQUIPMENT.



**Warning: CUT HAZARD.** Before cutting any type of material, be sure it is firmly anchored or clamped to prevent slipping.

- Switch on saw motor before applying pressure.
- Place blade lightly against work to be cut.



**Warning: CUT HAZARD. Never hold and use the product with your fingers wrapped around shoe adjustment button.** Always hold saw firmly with both hands while cutting as shown in **Figure 2**. Whenever possible, the saw shoe must be held firmly against the material being cut. This will prevent the saw from jumping or vibrating and minimize blade breakage.

### Variable speed switch (fig.3)

The variable speed trigger switch will give you added versatility. The further the trigger is depressed the higher the speed of the saw. To turn the tool "OFF" release the trigger.



**Warning: CUTHAZARD.** This tool has no provision to lock the switch in the ON position, and should never be locked in the ON position by any other means.

### Blade installation and removal(fig.4)



**Warning: CUT HAZARD.** Turn off and disconnect tool from power source before making any adjustments or removing or installing attachments or accessories. The blade should extend past the shoe and the thickness of the workpiece during the cut. Select the blade best suitable for the material to be cut and use the shortest blade suitable for the thickness of the material. Do not use jigsaw blades with this tool.



**Warning: CUT HAZARD.** Blade breakage may occur if the blade does not extend past the shoe and the workpiece during the cut. Increased risk of personal injury, as well as damage to the shoe and workpiece may result.

**To install blade into saw**

1. Point tool away from body.
2. Rotate blade clamp collar in the direction shown in fig.4.
3. Insert blade shank fully into blade clamp collar.
4. Release blade clamp collar to lock blade into position.

**Note:** Blade can be installed with the teeth up to assist in flush-to cutting.

**To remove blade from saw**

**Warning: CUTHAZARD.** Turn off and disconnect tool from power source before making any adjustments or removing or installing attachments or accessories.



**Warning:** Burn hazard. Do not touch the blade immediately after use. Contact with the blade may result in personal injury.

1. Rotate blade clamp collar to release position.
2. Remove blade.

**Adjustable shoe (fig.5)**

**Warning: CUT HAZARD.** Blade breakage may occur if the blade does not extend past the shoe and the workpiece during the cut. Increased risk of personal injury, as well as damage to the shoe and workpiece may result.



**Warning: CUT HAZARD.** Turn off and disconnect tool from power source before making any adjustments or removing or installing attachments or accessories. The shoe will adjust to limit the depth of cut. Using a M4(5/32in.) hex wrench (not supplied), loosen the screws (Figure5) and slide the shoe out to the desired depth then retighten screws securely.



**Caution: CUTHAZARD.** To prevent loss of control, never use tool without shoe.

**Caution: RISK OF PERSONAL INJURY AND PROPERTY DAMAGE.** Ensure the shoe is locked into position before using tool.

**Flush cutting (fig.6)**

- The compact design of the reciprocating saw motor housing and pivoting shoe permit close cutting to floors, corners and other difficult areas.
- To maximize flush cutting capabilities, insert the blade shaft into the blade clamp with the teeth of the blade facing up.
- Turn the saw upside down so you are as close to the work surface as possible.

**Metalcutting (fig.7)**

- Use a finer blade for ferrous metals and a coarse blade for non-ferrous materials.
- In thin gauge sheet metals it is best to clamp wood to the underside of the sheet. This will ensure a clean cut without excess vibration or tearing of metal.
- Avoid forcing cutting blade as this reduces blade life and causes costly blade breakage.

**Note:** Spread a thin film of oil or other coolant along the line ahead of the saw cut for easier operation and longer blade life.

**Pocket cutting-woodonly (fig.8)**

- Measure the surface area to be cut and mark clearly with a pencil, chalk or scriber.
- Insert blade in blade clamp and tighten blade clamp securely.
- Tip the saw backward until the back edge of the shoe is resting on the work surface and the fully extended moving blade will clear the surface.
- Grip unit with both hands, switch motor on permitting blade to obtain maximum speed.
- Begin a slow, deliberate upward swing with the main handle of the saw.
- The blade will begin to feed into material. Always be sure blade is completely through material before continuing with pocket cut.

## Project tips

- Cut only with sharp blades; they cut cleaner, faster and put less strain on the motor while cutting.
- When cutting, always ensure that the shoe is held firmly against the workpiece and the workpiece is secured from moving/deflecting. This will improve operator control and minimize vibration.
- For longer blade life, use bi-metal blades. These utilize a carbon steel back welded to high speed steel teeth making the blade more flexible and less prone to breaking.

## Accessories

This saw will accept up to a 12 inch long blade. Always use the shortest blade suitable for your project but long enough to keep the blade cutting through the material. Longer blades are more likely to be bent or damaged during use. During operation some longer blades may vibrate or shake if the saw is not kept in contact with the workpiece.



**Warning:** Since accessories, other than those offered by STANLEY, have not been tested with this product, use of such accessories with this tool could be hazardous. To reduce the risk of injury, only STANLEY recommended accessories should be used with this product.

## Maintenance

Your STANLEY tool has been designed to operate over a long period of time with a minimum of maintenance. Continuous satisfactory operation depends upon proper tool care and regular cleaning.

**Warning!** Before performing any maintenance, switch off and unplug the tool.

- Regularly clean the ventilation slots in your tool using a soft dry brush or dry cloth.
- Regularly clean the motor housing using a clean damp cloth. Do not use any abrasive or solvent-based cleaner.

## Service Information

STANLEY offers a full network of company-owned and authorized service locations throughout Asia. All STANLEY Service Centers are staffed with trained personnel to provide customers with efficient and reliable power tool service. Whether you need technical advice, repair, or genuine factory replacement parts, contact the STANLEY location nearest to you.

## Notes

- STANLEY's policy is one of continuous improvement to our products and, as such, we reserve the right to change product specifications without prior notice.
- Standard equipment and accessories may vary by country.
- Product specifications may differ by country.
- Complete product range may not be available in all countries. Contact your local STANLEY dealers for range availability.

## Technical data

Specification	STPT0900	
Power	W	900
Voltage	V	220-240
Frequency	Hz	50/60
No-load Speed	/min	0-3200
Weight	Kg	3.2



## Protecting the environment



Separate collection. This product must not be disposed of with normal household waste.

Should you find one day that your STANLEY product needs replacement, or if it is of no further use to you, do not dispose of it with household waste. Make this product available for separate collection.



Separate collection of used products and packaging allows materials to be recycled and used again.

Re-use of recycled materials helps prevent environmental pollution and reduces the demand for raw materials.

Local regulations may provide for separate collection of electrical products from the household, at municipal waste sites or by the retailer when you purchase a new product. STANLEY provides a facility for the collection and recycling of STANLEY products once they have reached the end of their working life. To take advantage of this service please return your product to any authorised repair agent who will collect them on our behalf.

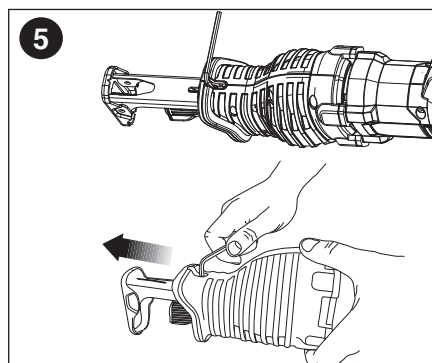
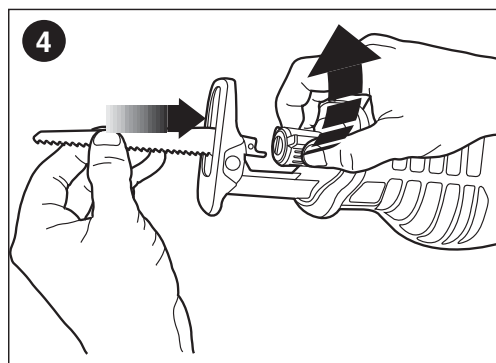
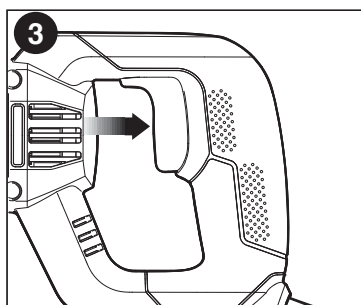
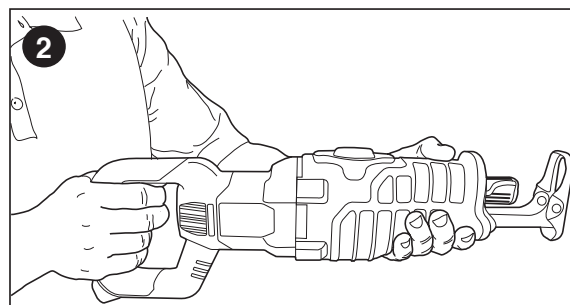
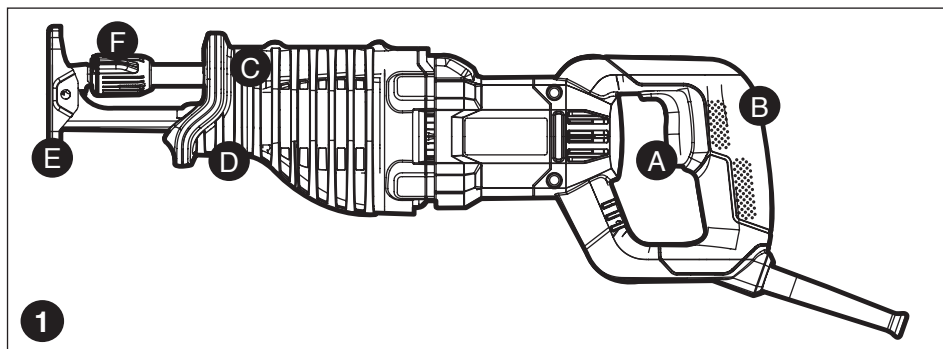
You can check the location of your nearest authorised repair agent by contacting your local STANLEY office at the address indicated in this manual. Alternatively, a list of authorised STANLEY repair agents and full details of our after-sales service and contacts are available on the Internet at: [www.2helpU.com](http://www.2helpU.com)

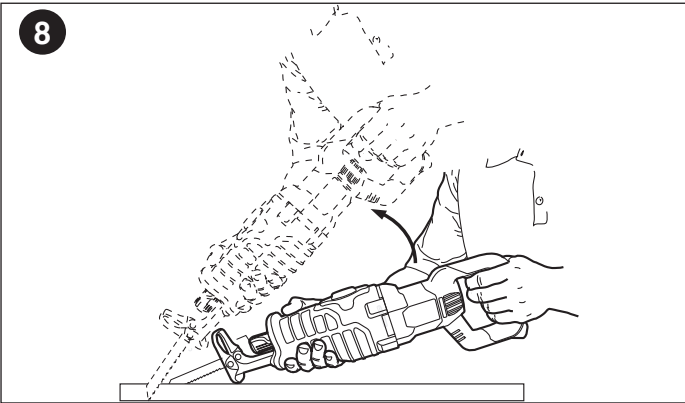
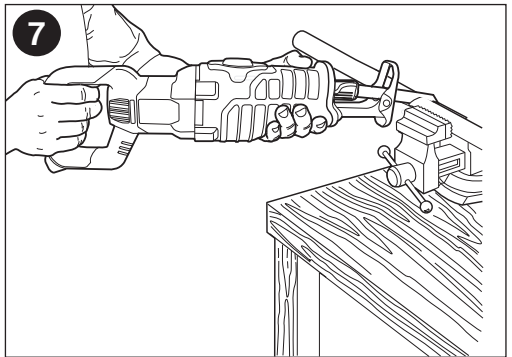
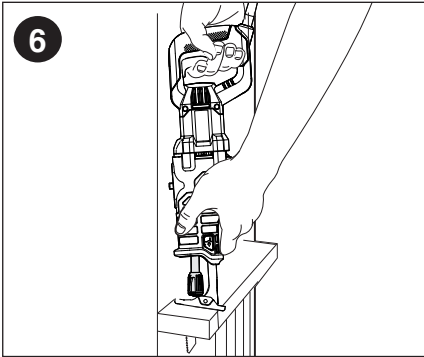
## Two years full warranty

If your STANLEY product becomes defective due to faulty materials or workmanship within 24 months from the date of purchase, STANLEY Europe guarantees to replace all defective parts free of charge or – at our discretion – replace the unit free of charge provided that:

- The product has not been misused and has been used in accordance with the instruction manual.
- The product has been subject to fair wear and tear;
- Repairs have not been attempted by unauthorised persons;
- Proof of purchase is produced.
- The STANLEY product is returned complete with all original components

If you wish to make a claim, contact your seller or check the location of your nearest authorised STANLEY repair agent in the STANLEY catalogue or contact your local STANLEY office at the address indicated in this manual. A list of authorised STANLEY repair agents and full details of our after sales service is available on the internet at: [www.stanleytools.com](http://www.stanleytools.com)





## Использование по назначению

Ваша ручная пила STANLEY предназначена для распиловки древесины, пластика и листового металла.

## Общие правила безопасности

**Предостережение! Ознакомьтесь со всеми инструкциями.** Несоблюдение инструкций, указанных ниже, может привести к поражению электрическим током, пожару и/или серьезной травме. Определение "электроинструмент" во всех предупреждениях, указанных ниже, относится к вашему сетевому (с кабелем) электроинструменту или аккумуляторному электроинструменту (без кабеля питания).

## Сохраните эти инструкции

### 1. Рабочая зона

- a. **Содержите рабочее место в чистоте и хорошо освещенным.** Беспорядок на рабочем месте или отсутствие освещения рабочего места может привести к аварии.
- b. **Не работайте с электроинструментом в месте хранения взрывоопасных материалов, например, в присутствии огнеопасных жидкостей, газов или пыли.** Электрические инструменты создают искры, которые могут воспламенить пыль или пары.
- c. **Дети и посторонние лица должны находиться как можно дальше во время работы с электроинструментом.** Вы можете отвлечься и потерять контроль.

### 2. Электробезопасность

- a. **Вилка электроинструмента должна соответствовать розетке. Никогда не модифицируйте вилку каким-либо образом. Не используйте никакие вилки-переходники с заземленными (замкнутыми на землю) электроинструментами.** Вилки и розетки, которые не подвергались никаким изменениям снижают риск поражения электрическим током.
- b. **Избегайте контакта тела с заземленными поверхностями, такими как трубы, радиаторы, плиты и холодильники.** Существует повышенный риск поражения электрическим током, если ваше тело заземлено.
- c. **Избегайте любого воздействия дождя или влаги на электроинструменты.** Вода, попавшая в электроинструмент, увеличивает риск поражения электрическим током.

d. **Аккуратно обращайтесь со шнуром питания. Никогда не используйте шнур питания для переноски, перемещения или извлечения вилки из розетки. Держите шнур вдали от источников тепла, масла, острых краев или движущихся частей.** Поврежденные или запутанные шнуры увеличивают риск поражения электрическим током.

e. **При работе с электроинструментом на улице, используйте удлинитель, подходящий для наружного использования.** Использование кабеля, пригодного для использования на открытом воздухе, снижает риск поражения электрическим током.

f. **При необходимости работы с электроинструментом во влажной среде, используйте устройство защитного отключения (УЗО).** Использование УЗО снижает риск поражения электрическим током.

### 3. Личная безопасность

- a. **Будьте внимательны, смотрите, что вы делаете, используйте здравый смысл при работе с электроинструментом. Не используйте электроинструмент, если вы устали или находитесь под влиянием наркотиков, алкоголя или лекарств.** Малейшая неосторожность при работе с электроинструментом может привести к серьезным травмам.
- b. **Используйте средства индивидуальной защиты. Всегда надевайте защитные очки. Другое защитное оборудование, включая респиратор, ботинки на нескользящей подошве, защитный шлем или средства защиты органов слуха, используемые в надлежащих условиях, уменьшат риск получения травмы.**
- c. **Для предотвращения случайного запуска, убедитесь, что переключатель находится в выключенном положении перед подключением к источнику питания и/или аккумуляторной батарее, поднятия или переноски инструмента.** Не переносите электроинструмент с пальцем на выключателе и не включайте питание на инструмент с включенным выключателем, что может привести к несчастному случаю.
- d. **Перед включением электроинструмента снимайте регулировочный или гаечный ключ. Гаечный или регулировочный ключ, оставленный на вращающейся части электроинструмента, может привести к травме.**
- e. **Не тянитесь. Сохраняйте правильную стойку и баланс все время.** Это позволяет лучше контролировать инструмент в неожиданных ситуациях.

f. Одевайтесь правильно. Не надевайте свободную одежду или украшения. Держите волосы, одежду и перчатки вдали от движущихся частей.

Свободная одежда, украшения или длинные волосы могут попасть в движущиеся части.

g. Если имеются устройства для подключения пылесборника или вытяжки, убедитесь в том, что они подсоединены и используются правильно. Использование пылесборника снижает вероятность возникновения рисков, связанных с пылью.

#### 4. Использование и уход за электроинструментом

a. Не перегружайте электроинструмент. Используйте подходящий электрический инструмент для соответствующего применения.

Правильно подобранный электроинструмент позволит выполнить работу лучше и безопаснее при скорости, для которой он был разработан.

b. Не используйте электроинструмент, если переключатель не может его включить и выключить. Любой электроинструмент, который нельзя контролировать с помощью переключателя, опасен и должен быть отремонтирован.

c. Отключите кабель питания от источника питания и/или аккумуляторный блок от электрического инструмента перед выполнением любых регулировок, замены принадлежностей или при хранении электроинструмента. Такие профилактические меры безопасности уменьшают риск непреднамеренного запуска электрического инструмента.

d. Храните неиспользуемые электроинструменты в недоступном для детей месте и не позволяйте лицам, не знакомым с электроинструментом или данными инструкциями, работать с электроинструментом. Электроинструменты опасны в руках неопытных пользователей.

e. Поддержание электроинструмента. Проверяйте разрегулированность или соединение подвижных частей, поломки частей и любые другие условия, которые могут повлиять на работу электроинструмента. При наличии повреждения, отремонтируйте электроинструмент перед использованием. Многие несчастные случаи являются следствием плохого ухода за электроинструментом.

f. Держите режущий инструмент острым и чистым. Хорошо ухоженный режущий инструмент с острыми режущими кромками легче контролировать.

g. Используйте электроинструмент, аксессуары и насадки в соответствии с данными инструкциями, принимая внимание условия работы и те работы, которые должны быть выполнены. Использование электроинструмента

для операций, отличающихся от тех, для которых он предназначен, может привести к опасной ситуации.

#### 5. Обслуживание

a. Обеспечьте, чтобы обслуживание и ремонт вашего электроинструмента проводился в авторизованном сервисном центре по ремонту с использованием только оригинальных запасных частей. Это станет гарантией безопасности электроинструмента.

#### Дополнительные меры безопасности для электроинструмента







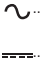



**Предостережение!** Инструкции по технике безопасности для всех ручных пил

- Держите инструмент за изолированные ручки при выполнении работы, когда режущий инструмент может контактировать со скрытой проводкой или своим собственным шнуром. Контакт с "работающим" проводом сделает открытые металлические части инструмента проводящими, и оператора может ударить электрическим током.
- Используйте зажимы или еще один практический способ обеспечить и поддерживать заготовку на устойчивой платформе. Проведение работы по руке или против вашего тела, лишает устойчивости и может привести к потере контроля.
- Крепко удерживайте пилу обеими руками во время всех видов работ по распиливанию. Во время резки, лезвие может внезапно связать застряв и может привести пилу к реакции отдачи в сторону оператора.
- Держите руки подальше от зоны резания. Никогда не прикасайтесь к низу заготовки по любой причине. Не вставляйте пальцы или большой палец в непосредственной близости от диска, совершающего возвратно-поступательные движения. Не стабилизируйте пилу посредством удержания башмака.
- Следите, чтобы полотно ножовки было острым. Тупые или поврежденные полотна могут заставить пилу отклониться или затормозиться под давлением.
- Будьте особенно осторожны при резке накладных заготовок и обратите особое внимание на линии электропередач, газо- и водопроводов, которые могут быть скрыты от глаз. Заранее подумайте о возможности падающих веток и мусора.
- При резке труб или каналов, убедитесь, что в них нет воды, электрической проводки и т.д.
- Не прикасайтесь к заготовке или полотну после работы с инструментом. Они могут стать очень горячими.

## Этикетки на инструменте

Этикетка на вашем инструменте может включать следующие символы:

	Читайте инструкции по эксплуатации	Гц ..... Герц		..... Конструкция класса II
	Используйте средства защиты глаз	Вт ..... Ватт		..... Терминал заземления
	Используйте средства защиты органов слуха	мин..... минуты		..... Символ предупреждения об опасности
			..... Переменный ток	..... обороты или возвратно-поступательное движение в минуту
			..... Постоянный ток	..... мин..
V ..... Вольт		$n_0$ ..... Скорость без нагрузки		
A ..... Ампер				


### Положение даты штрих-кода

Дата кода, который также включает год изготовления, печатается на корпусе.

Пример:

2014 XX JN  
Год изготовления

## Электрическая безопасность

 Ваш инструмент защищен двойной изоляцией, поэтому заземляющий провод не требуется. Всегда проверяйте, чтобы напряжение сети соответствовало напряжению, указанному на заводской табличке.

- Данный прибор не предназначен для использования маленькими детьми или немощными людьми. Дети должны быть под присмотром, чтобы они не играли с инструментом.
- Если оригинальный шнур питания поврежден, он должен быть заменен производителем или в уполномоченном сервисном центре STANLEY для того, чтобы избежать опасности или повреждений.

### Остаточные риски

Дополнительные остаточные риски могут возникнуть при использовании инструмента, который не может быть включен в описанные здесь правила техники безопасности.

Эти риски могут возникнуть при неправильном или продолжительном использовании изделия и т.п. Даже при соблюдении соответствующих правил техники безопасности и использования предохранительных устройств, некоторых остаточных рисков невозможно избежать. Они включают в себя:

- Травмы в результате касания вращающихся/движущихся частей.
- Риск получения травмы во время смены деталей

инструмента, ножей или насадок.

- Травмы, вызванные продолжительным использованием инструмента. При использовании инструмента в течение продолжительного периода времени делайте регулярные перерывы в работе.
- Плохой слух
- Ущерб здоровью в результате вдыхания пыли при использовании инструмента (пример: работа с деревом, в особенности, с древесиной дуба, бука и древесноволокнистой плитой средней плотности)

## Характеристики (рис. 1)

- A. Спусковой переключатель
- B. Основная рукоятка
- C. Вторичная захватывающая рукоятка
- D. Регулируемые винты башмака
- E. Регулируемый башмак
- F. Зажим для полотна пилы

## Монтаж и наладка



**Предостережение: ОПАСНОСТЬ РАЗРЕЗА.**  
Выключите и отсоедините инструмент от источника питания перед выполнением каких-либо регулировок, снятием или установкой дополнительных принадлежностей или аксессуаров.



**Предостережение:** Держите пилу обеими руками во время всех операций резания.



**Предостережение:** Проверьте рабочую зону на наличие скрытой электропроводки, газовых или водопроводных труб, прежде чем сделать слепые надрезы. Невыполнение этого требования может привести к удару электрическим током, пожару, взрыву или повреждению имущества.



**Предостережение: ОПАСНОСТЬ РАЗРЕЗА.**  
Может случиться поломка полотна, если полотно не выходит за башмак и заготовку во время резы. Существует повышенный риск получения травмы оператором, а также повреждения башмака и заготовки.



**Предостережение:** Всегда используйте защитные очки. Обычные очки НЕ являются защитными очками. Кроме того, пользуйтесь защитной маской или респиратором, если работа по резке является пыльной. ВСЕГДА ИСПОЛЬЗУЙТЕ СЕРТИФИЦИРОВАННОЕ ОБОРУДОВАНИЕ ДЛЯ ОБЕСПЕЧЕНИЯ БЕЗОПАСНОСТИ.



**Предостережение: ОПАСНОСТЬ РАЗРЕЗА.**  
Перед тем как разрезать любой тип материала, убедитесь, что он надежно

закреплен или зажат, чтобы предотвратить скольжение.

- Включите двигатель пилы прежде, чем применить надавливание на инструмент.
- Установите полотно слегка против разрезаемой заготовки.



**Предостережение: ОПАСНОСТЬ РАЗРЕЗА.**  
Никогда не держите и не используйте продукт с пальцами на кнопке регулировки башмака. Всегда держите пилу обеими

руками во время резки, как показано на рисунке 2. Всякий раз, когда это возможно, башмак пилы должен надежно удерживаться в разрезаемом материале. Это позволит предотвратить пилу от скачков, вибрирования и сведет к минимуму возможность поломки лезвия.

### Переключатель переменной скорости (рис.3)

Курковый выключатель переменной скорости добавляет инструменту универсальности. Чем глубже утоплен курковый выключатель, тем выше будет скорость пилы. Чтобы включить инструмент, отпустите курковой выключатель.

**Предостережение: ОПАСНОСТЬ РАЗРЕЗА.** Этот инструмент не имеет функции для блокирования переключателя в положении ВКЛ., и ни при каких обстоятельствах не может быть заблокирован в положении ВКЛ. любыми другими средствами.

### Установка и удаление полотна (рис. 4)



**Предостережение: ОПАСНОСТЬ РАЗРЕЗА.**

Выключите и отсоедините инструмент от источника питания перед выполнением каких-либо регулировок, снятием или установкой дополнительных принадлежностей или аксессуаров. Полотно должно выходить за башмак и толщину заготовки во время резания. Выбирайте полотно, которое лучше всего подходит для разрезаемого материала и используйте самое короткое полотно, подходящее для толщины материала. Не используйте полотно для ножовки с этим инструментом.



**Предостережение: ОПАСНОСТЬ РАЗРЕЗА.**

Может случиться поломка полотна в том случае, если полотно не выходит за башмак и заготовку во время резки. Существует повышенный риск получения травмы оператором, а также повреждения башмака и заготовки.

### Для установки полотна в пилу

1. Держите инструмент в стороне от тела.

2. Поверните воротник зажима полотна в направлении, показанном на рисунке 4.

3. Вставьте хвостовик полотна полностью в воротник зажима полотна.

4. Отпустите воротник зажима полотна для фиксации лезвия в нужном положении.

**Примечание:** Полотно может быть установлено с зубами вверх для резки заподлицо.

### Для удаления полотна из пилы



**Предостережение: ОПАСНОСТЬ РАЗРЕЗА.**

Выключите и отсоедините инструмент от источника питания перед выполнением каких-либо регулировок, снятием или установкой дополнительных принадлежностей или аксессуаров.



**Предостережение: Опасность ожога.**

Не прикасайтесь к полотну сразу после использования. Соприкосновение с полотном может привести к травме.

1. Поверните воротник зажима полотна, чтобы освободить место.

2. Снимите полотно.

### Регулируемый башмак (рис.5)



**Предостережение: ОПАСНОСТЬ РАЗРЕЗА.**

Может случиться поломка полотна в том случае, если полотно не выходит за башмак и заготовку во время резки. Существует повышенный риск получения травмы оператором, а также повреждения башмака и заготовки.



**Предостережение: ОПАСНОСТЬ РАЗРЕЗА.**

Выключите и отсоедините инструмент от источника питания перед выполнением каких-либо регулировок, снятием или установкой дополнительных принадлежностей или аксессуаров. Башмак будет отрегулирован для ограничения глубины реза. Используйте М4 (5/32 дюйма) шестигранный ключ (не входит в комплект), ослабьте винты (рисунок 5.) и передвиньте башмак до желаемой глубины, затем прочно затяните винты.



**Предостережение: ОПАСНОСТЬ РАЗРЕЗА.**

Для предотвращения потери контроля, никогда не используйте инструмент без башмака.

**Предостережение: ОПАСНОСТЬ ТРАВМЫ ИЛИ ПОВРЕЖДЕНИЯ ИМУЩЕСТВА.** Убедитесь, что башмак заблокирован в правильном положении перед использованием инструмента.

### Резка заподлицо (рис.6)

- Компактный дизайн корпуса двигателя сабельной пилы и поворотный башмак позволяют производить резку практически вблизи с полом, углами и в других труднодоступных местах.
- Для максимальной эффективности резки заподлицо, вставьте полотно в зажим полотна с зубами вверх.
- Переверните пилу вверх ногами, так чтобы вы могли находиться настолько близко к рабочей поверхности, насколько это возможно.

### Распиловка металла (рис. 7)

- Используйте тонкое полотно для черных металлов и грубое полотно для цветных металлов
- При резке тонкого калибровочного листового металла к нижней части листа лучше прижать кусок дерева. Это позволит сделать чистый срез без повышенной вибрации или разрыва металла.
- Не прикладывайте больших усилий во время резки, так как это снижает срок службы полотна и вызывает поломку дорогостоящих полотен.

**Примечание:** Нанесите тонкий слой масла или другого теплоносителя вдоль линии разреза перед распилом для облегчения работы и увеличения срока службы полотна.

### Карманная резка – только для дерева (рис. 8)

- Измерьте площадь отрезаемой поверхности и сделайте отметки карандашом, мелом или чертилкой.
- Вставьте полотно в зажим и надежно затяните зажим полотна.
- Отведите пилу назад, до тех пор, пока задний край башмака не ляжет на рабочую поверхность и полностью выдвинутое подвижное полотно выйдет на поверхность.
- Держите пилу обеими руками, включите двигатель, и дайте полотну набрать максимальную скорость.
- Начните медленно, преднамеренно ведя основную ручку пилы вверх.
- Полотно начнет входить в материал. Убедитесь, что полотно полностью прошло через материал, прежде чем продолжить осуществлять карманную резку.

### Советы по осуществлению проекта

- Используйте только острые лезвия; они режут чище, быстрее и дают меньшую нагрузку на двигатель во время резки.
- При резке всегда проверяйте, чтобы башмак надежно удерживал заготовку, и заготовка защищена от перемещения/скольжения. Это усилит контроль оператора и сведет к минимуму вибрацию.
- Для увеличения срока службы полотна, используйте биметаллические полотна. Они изготовлены из углеродистой стали с сварными зубцами из быстрорежущей стали, что делает полотно более гибким и менее подверженным разрушению.

### Аксессуары

Для этой пилы подходят полотна длиной до 12 дюймов. Всегда используйте самое короткое полотно, подходящее для вашего проекта, но при этом необходимо, чтобы оно было достаточно длинное и позволило полотну проходить через материал. Более длинные полотна, чаще могут быть согнуты или повреждены во время использования. Во время работы некоторые длинные полотна могут вибрировать или колебаться, если пила не находится в контакте с заготовкой.



**Предостережение:** Аксессуары, кроме тех, которые предлагает STANLEY, не были протестированы с помощью этого продукта, поэтому использование таких аксессуаров может привести к опасной ситуации. Чтобы снизить риск получения травмы, рекомендуется использовать с этим продуктом исключительно аксессуары STANLEY.

### Обслуживание

Ваш инструмент STANLEY был разработан для работы в течение длительного периода времени при минимальном техническом обслуживании. Для обеспечения удовлетворительной работы, инструмент должен правильно храниться и подвергаться регулярной чистке.

**Предостережение!** Перед выполнением любых работ по обслуживанию выключите и отсоедините инструмент.

- Регулярно очищайте вентиляционные прорези инструмента мягкой щеткой или сухой тканью.
- Регулярно очищайте корпус двигателя влажной тканью. Не используйте для чистки абразивные материалы или материалы на основе растворителя.



## Информационная служба

STANLEY предлагает обширную сеть авторизованных сервисных центров, принадлежащих компании по всей Азии. Все сервисные центры STANLEY укомплектованы персоналом, прошедшим обучение, чтобы предоставить клиентам эффективный и надежный сервис. Независимо от того необходим ли вам технический совет, ремонт или оригинальные запасные части, обратитесь в ближайший к вам центр STANLEY.

## Примечания

- Политика STANLEY является процессом непрерывного совершенствования нашей продукции и, таким образом, мы оставляем за собой право изменять спецификацию продукта без предварительного уведомления.
- Стандартное оборудование и аксессуары могут варьировать в зависимости от страны.
- Спецификации продукции могут различаться в зависимости от страны.
- Полный ассортимент продукции может варьировать в зависимости от страны. Свяжитесь с вашим местным дилером STANLEY для получения информации о наличных моделях.

## Технические данные

Specification	STPT0900	
Входная мощность	W	900
Напряжение	V	220-240
Частота	Hz	50/60
Скорость без нагрузки	/min	0-3200
Масса	кг	3,2

## Защита окружающей среды



Раздельный сбор и утилизация. Этот продукт не следует утилизировать вместе с бытовым мусором.

Если вы поймете, что ваш продукт Stanley нуждается в замене, или если он не имеет никакого дальнейшего применения для вас, не выбрасывайте его вместе с бытовыми отходами. Предоставьте этот продукт для раздельного сбора/утилизации.



Раздельный сбор продуктов и упаковок позволяет осуществить их переработку и использовать их повторно. Повторное использование переработанных материалов помогает защищать окружающую среду от загрязнения и снижает расход сырьевых материалов.

Местное законодательство может обеспечить сбор старых электроинструментов отдельно от бытового мусора на муниципальных свалках отходов или в торговом предприятии при покупке нового изделия. Stanley обеспечивает возможность для сбора и утилизации продуктов Stanley, как только они достигли конца своего срока службы. Для того чтобы воспользоваться этой услугой, вы можете сдать ваше изделие в любой авторизованный сервисный центр, который собирает их по нашему поручению.

Вы можете узнать место нахождения вашего ближайшего авторизованного сервисного центра, обратившись в местное отделение Stanley по адресу, указанному в данном руководстве. Кроме того, список авторизованных ремонтных агентов Stanley и полную информацию о нашем послепродажном обслуживании и контактах вы можете найти в Интернете: [www.2helpU.com10](http://www.2helpU.com10)

## Полная гарантия сроком на два года

Если ваш продукт STANLEY выходит из строя из-за дефектных материалов или изготовления в течение 24 месяцев с даты покупки, STANLEY Europe гарантирует замену всех неисправных деталей бесплатно или - по своему усмотрению - замену продукта бесплатно при условии, что:

- Продукт использовался правильно, его эксплуатация проводилась строго в соответствии с инструкцией по эксплуатации.
- Продукт подвергался естественному износу;
- Ремонт не проводился посторонними лицами;
- Представлены документы, подтверждающие покупку.
- Продукт STANLEY возвращается в полном комплекте со всеми оригинальными компонентами

Если вы хотите сделать заявку, свяжитесь с продавцом или узнайте место нахождения вашего ближайшего авторизованного сервисного агента Stanley в каталоге Stanley или обратитесь в местное представительство Stanley по адресу, указанному в данном руководстве. Список авторизованных сервисных агентов Stanley и полную информацию о нашем послепродажном обслуживании можно найти в Интернете по адресу: [www.stanleytools.com](http://www.stanleytools.com)

# STANLEY

## Гарантийные условия

### Уважаемый покупатель!

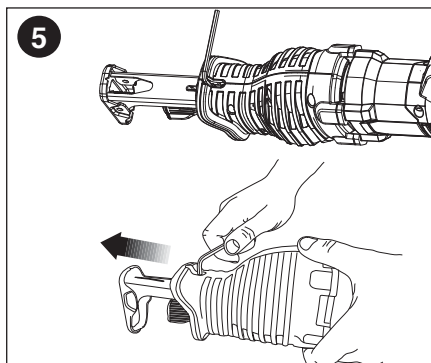
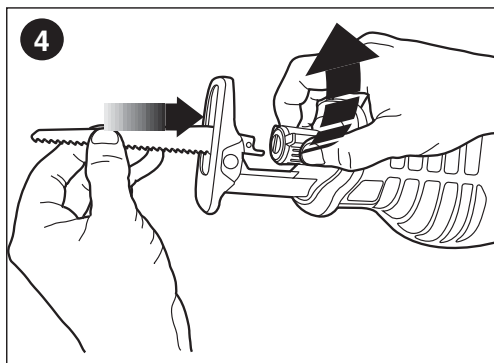
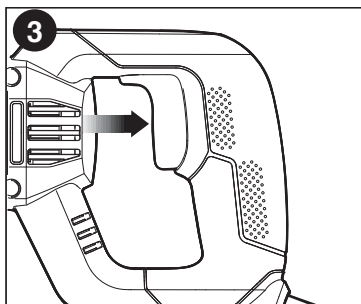
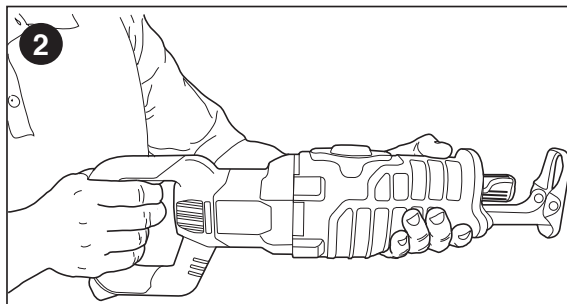
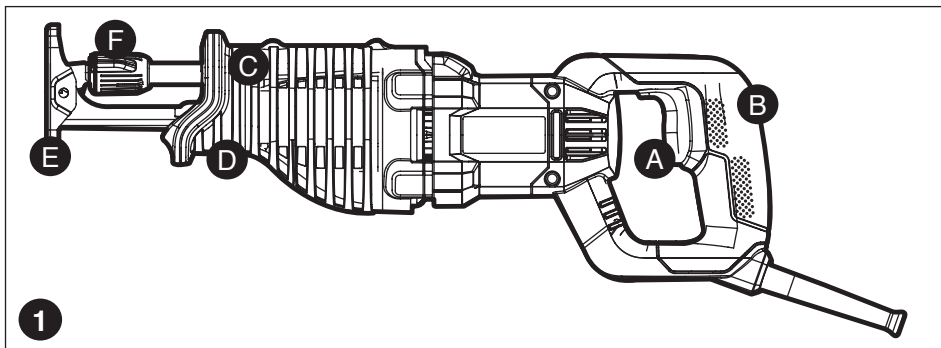
1. Поздравляем Вас с покупкой высококачественного изделия STANLEY и выражаем признательность за Ваш выбор.
2. При покупке изделия требуйте проверки его комплектности и исправности в Вашем присутствии, инструкцию по эксплуатации и заполненный гарантийный талон на русском языке.  
В гарантийном талоне должны быть внесены: модель, дата продажи, серийный номер, дата производства инструмента; название, печать и подпись торговой организации. При отсутствии у Вас правильно заполненного гарантийного талона, а также несоответствия указанных в нем данных мы будем вынуждены отклонить Ваши претензии по качеству данного изделия.
3. Во избежание недоразумений убедительно просим Вас перед началом работы с изделием внимательно ознакомиться с инструкцией по его эксплуатации. Правовой основой настоящих гарантийных условий является действующее Законодательство. Гарантийный срок на данное изделие составляет 24 месяца и исчисляется со дня продажи. В случае устранения недостатков изделия, гарантийный срок продлевается на период его нахождения в ремонте. Срок службы изделия составляет 5 лет со дня продажи.
4. В случае возникновения каких-либо проблем в процессе эксплуатации изделия рекомендуем Вам обращаться только в уполномоченные сервисные центры STANLEY, адреса и телефоны которых Вы сможете найти в гарантийном талоне, на сайте [www.2helpU.com](http://www.2helpU.com) или узнать в магазине. Наши сервисные станции - это не только квалифицированный ремонт, но и широкий ассортимент запчастей и принадлежностей.
5. Производитель рекомендует проводить периодическую проверку и техническое обслуживание изделия в уполномоченных сервисных центрах.

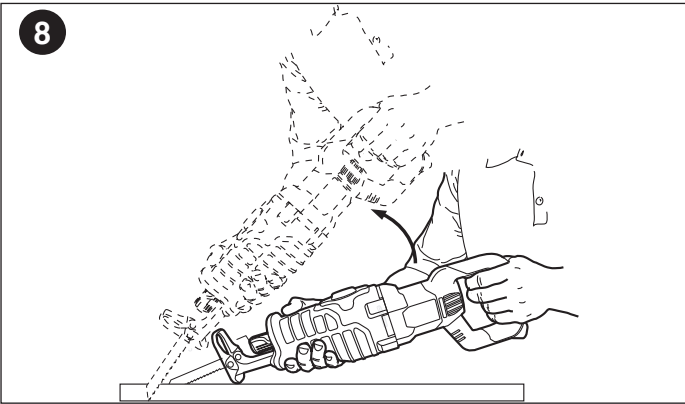
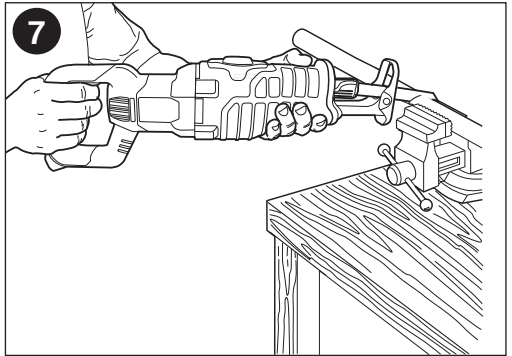
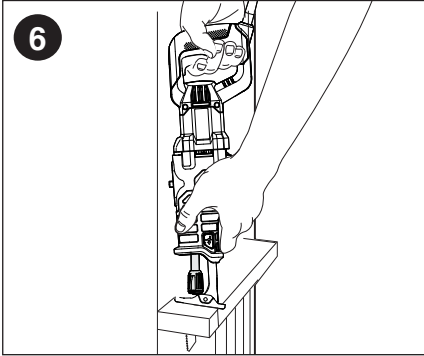


Изготовитель

Блэк энд Деккер Холдингс ГмБХ  
Германия, 65510, Идштайн,  
ул. Блэк энд Деккер, 40

6. Наши гарантийные обязательства распространяются только на неисправности, выявленные в течение гарантийного срока и вызванные дефектами производства и \ или материалов.
7. **Гарантийные условия не распространяются на неисправности изделия, возникшие в результате:**
  - 7.1. Несоблюдения пользователем предписаний инструкции по эксплуатации изделия, применения изделия не по назначению, неправильному хранению, использования принадлежностей, расходных материалов и запчастей, не предусмотренных производителем.
  - 7.2. Механического повреждения (сколы, трещины и разрушения) внутренних и внешних деталей изделия, основных и вспомогательных рукояток, сетевого электрического кабеля, вызванного внешним ударным или любым иным воздействием
  - 7.3. Попадания в вентиляционные отверстия и проникновение внутрь изделия посторонних предметов, материалов или веществ, не являющихся отходами, сопровождающими применение изделия по назначению, такими как: стружка, опилки, песок, и пр.
  - 7.4. Воздействий на изделие неблагоприятных атмосферных и иных внешних факторов, таких как дождь, снег, повышенная влажность, нагрев, агрессивные среды, несоответствие параметров питающей электросети, указанных на инструменте.
  - 7.5. Стихийного бедствия. Повреждение или утрата изделия, связанное с непредвиденными бедствиями, стихийными явлениями, в том числе вследствие действия непреодолимой силы (пожар, молния, потоп и другие природные явления), а так же вследствие перепадов напряжения в электросети и другими причинами, которые находятся вне контроля производителя.
8. **Гарантийные условия не распространяются:**
  - 8.1. На инструменты, подвергавшиеся вскрытию, ремонту или модификации вне уполномоченного сервисного центра.
  - 8.2. На детали и узлы, имеющие следы естественного износа, такие как: приводные ремни и колеса, угольные щетки, смазка, подшипники, зубчатое зацепление редукторов, резиновые уплотнения, сальники, направляющие ролики, муфты, выключатели, бойки, толкатели, стволы, и т.п.
  - 8.3. На сменные части: патроны, цанги, зажимные гайки и фланцы, фильтры, аккумуляторные батареи, ножи, шлифовальные подошвы, цепи, звездочки, пильные шины, защитные кожухи, пилки, абразивы, пильные и абразивные диски, фрезы, сверла, буры и т.п.
  - 8.4. На неисправности, возникшие в результате перегрузки инструмента (как механической, так и электрической), повлекшей выход из строя одновременно двух и более деталей и узлов, таких как: ротора и статора, обеих обмоток статора, ведомой и ведущей шестерни редуктора или других узлов и деталей. К безусловным признакам перегрузки изделия относятся, помимо прочего: появление цветов побежалости, деформация или оплавление деталей и узлов изделия, потемнение или обугливание изоляции проводов электродвигателя под воздействием высокой температуры.





## Використання за призначенням

Ваша ручна пила STANLEY призначена для розпилювання деревини, пластику та листового металу.

## Загальні правила безпеки

**Застереження! Ознайомтеся з усіма інструкціями** Недотримання інструкцій, зазначених нижче, може призвести до ураження електричним струмом, пожежі та/або серйозної травми. Визначення "електроінструмент" у всіх попередженнях, зазначених нижче, відноситься до мережевого (з кабелем) електроінструменту або акумуляторної батареї (без кабелю живлення).

## Збережіть ці інструкції

### 1. Робоча зона

- a. **Утримуйте робоче місце в чистоті і добре освітленим.** Безлад на робочому місці або відсутність освітлення робочого місця може призвести до аварії.
- b. **Не працюйте з електроінструментом в місці зберігання вибухонебезпечних матеріалів, наприклад, у присутності легкозаймистих рідин, газів або пилу.** Електричні інструменти створюють іскри, що можуть запалити пил або пари.
- c. **Діти і сторонні особи повинні знаходитися якнайдалі під час роботи з електроприладами.** Ви можете відволіктися і втратити контроль.

### 2. Електробезпека

- a. **Вилка електроінструмента повинна відповідати розетці. Ніколи не змінюйте вилку будь-яким чином. Не використовуйте ніякі вилки-перехідники з заземленими (замкнутими на землю) електроінструментами.** Вилки і розетки, які не піддавалися ніяким змінам знижують ризик ураження електричним струмом.
  - b. **Уникайте контакту тіла з заземленими поверхнями, такими як труби, радіатори, плити та холодильники.** Існує підвищений ризик ураження електричним струмом, якщо ваше тіло заземлене.
  - c. **Уникайте будь-якого впливу дощу або вологи на електроінструменти.** Вода, що потрапила в електроінструмент, збільшує ризик ураження електричним струмом.
  - d. **Обережно поводьтеся зі шнуром живлення. Ніколи не використовуйте шнур живлення для перенесення, переміщення або вилучення вилки з розетки. Тримайте шнур подалі від джерел тепла, масла, гострих країв або рухомих частин.** Пошкоджені або заплутані шнури збільшують ризик ураження електричним струмом.
  - e. **При роботі з електроінструментом на вулиці, використовуйте подовжувач, відповідний для зовнішнього використання.** Використання кабелю, придатного для використання на відкритому повітрі, знижує ризик ураження електричним струмом.
  - f. **При необхідності роботи з електроінструментом у вологому середовищі, використовуйте пристрій захисного відключення (ПЗВ).** Використання ПЗВ знижує ризик ураження електричним струмом.
- ### 3. Особиста безпека
- a. **Будьте уважні, дивіться, що ви робите, використовуйте здоровий глузд при роботі з електроприладами. Не використовуйте електроінструмент, якщо ви втомилися або перебуваєте під впливом наркотиків, алкоголю або ліків.** Найменша необережність при роботі з електроінструментом може призвести до серйозних травм.
  - b. **Використовуйте засоби індивідуального захисту. Завжди надягайте захисні окуляри.** Інше захисне обладнання, включаючи респіратор, черевки на нековзній підшві, захисний шолом або засоби захисту органів слуху, використовувати в належних умовах, зменшать ризик отримання травми.
  - c. **Для запобігання випадкового запуску, переконайтеся, що перемикач знаходиться у вимкненому положенні перед підключенням до джерела живлення та/або акумуляторної батареї, підняття або перенесення інструменту.** Не переносьте електроінструмент з пальцем на вимикачі і не включайте електроживлення на інструмент з увімкненим вимикачем, що може призвести до нещасного випадку.
  - d. **Перед включенням електроінструменту знімайте регульовальний або гайковий ключ.** Гайковий або регульовальний ключ, залишений на обертовій частині електроінструменту, може призвести до травми.
  - e. **Не тягніться. Зберігайте правильну стійку і баланс весь час.** Це дозволяє краще контролювати інструмент в несподіваних ситуаціях.
  - f. **Одягайтеся правильно. Не надягайте вільний одяг або прикраси. Тримайте волосся, одяг і рукавички далеко від рухомих частин.** Вільний одяг, прикраси або довге волосся можуть потрапити в рухомі частини.
  - g. **Якщо є пристрій для підключення пилозбірника або втяжки, переконайтеся в тому, що вони під'єднані і використовуються правильно.** Використання пилозбірника знижує ймовірність виникнення ризиків, пов'язаних з пилом.






4. Використання та догляд за електроінструментом

- a. **Не перевантажуйте електроінструмент. Використовуйте відповідний електричний інструмент для відповідного застосування.** Правильно підібраний електроінструмент дозволить виконати роботу краще і безпечніше при швидкості, для якої він був розроблений.
  - b. **Не використовуйте електроінструмент, якщо перемикач не може його включити і вимкнути.** Будь-який електроінструмент, який не можна контролювати за допомогою перемикача, є небезпечний і повинен бути відремонтований.
  - c. **Від'єднайте кабель живлення від джерела живлення та/або акумулятора від електричного інструменту перед виконанням будь-яких регулювань, заміни приладдя або при зберіганні електроінструменту.** Такі профілактичні заходи безпеки зменшують ризик ненавмисного запуску електричного інструменту.
  - d. **Зберігайте електроприлади в недоступному для дітей місці і не дозволяйте особам, які не знайомі з електричним інструментом або даними інструментами, працювати з електроприладами.** Електроінструменти небезпечні в руках недосвідчених користувачів.
  - e. **Підтримання електроінструменту. Перевіряйте розрегульованість або з'єднання рухомих частин, поломки частин і будь-які інші умови, які можуть вплинути на роботу електроінструменту. При наявності пошкодження, відремонтуйте електроінструмент перед використанням.** Багато нещасних випадків є наслідком поганого догляду за електроінструментом.
  - f. **Тримайте ріжучий інструмент гострим і чистим.** Добре доглянутий ріжучий інструмент з гострими ріжучими краями легше контролювати.
  - g. **Використовуйте електроінструмент, аксесуари та насадки відповідно до цих вказівок, приймаючи до уваги умови роботи і ті роботи, які повинні бути виконані.** Використання електроінструменту для операцій, які відрізняються від тих, для яких він призначений, може призвести до небезпечної ситуації.
5. Обслуговування
- a. **Забезпечте, щоб обслуговування і ремонт вашого електроінструменту проводився в авторизованому сервісному центрі по ремонту з використанням тільки оригінальних запасних частин.** Це стане гарантією безпеки електроінструменту.

- **Тримайте інструмент за ізольовані ручки при виконанні роботи, коли ріжучий інструмент може контактувати з прихованою проводкою або своїм власним шнуром.** Контакт з "працюючим" проводом зробить відкриті металеві частини інструменту провідними, і оператора може вдарити електричним струмом.
- **Використовуйте затискачі або ще один практичний спосіб забезпечити і підтримувати заготовлю на стійкій платформі.** Проведення роботи по руці або проти вашого тіла, позбавляє стійкості і може призвести до втрати контролю.
- **Міцно утримуйте інструмент обома руками під час всіх видів робіт з розпилювання.** Під час різання, лезо може раптово застрягти і може призвести пилку до реакції віддачі в сторону оператора.
- **Тримайте руки подалі від зони різання.** Ніколи не торкайтеся до низу заготовки з будь-якої причини. Не вставляйте палець або великий палець в безпосередній близькості від диска під час зворотного-поступального руху. Не стабілізуйте пилку за допомогою утримання башмака.
- **Слідкуйте, щоб полотно ножівки було гострим.** Тупі або пошкоджені полотна можуть змусити пилку відхилитися або загальмуватися під тиском.
- **Будьте особливо обережні при різанні накладних заготовель і зверніть особливу увагу на лінії електропередач, газу- і водопроводів, які можуть бути приховані від очей.** Заздалегідь подумайте про можливість падаючих гілок і сміття.
- **При різанні труб або каналів, переконайтеся, що в них немає води, електричної проводки і т.д.**
- **Не торкайтеся до заготовки або полотна після роботи з інструментом.** Вони можуть стати дуже гарячими.

Етикетки на інструменті

Етикетки на вашому інструменті можуть включати такі символи:

	Читайте інструкції з експлуатації	Gc .....	Герц		.....	Конструкція класу II
	Використовуйте засоби захисту очей	Вт .....	Ватт		.....	Термінал заземлення
	Використовуйте засоби захисту органів слуху	мин .....	хвилини		.....	Змінний струм
			.....		.....	Символ попередження про небезпеку
		V .....	Вольт	хв..	.....	обороту або зворотного поступального руху в хвилину
		A .....	Ампер	$n_0$ .....	.....	Швидкість без навантаження

Положення дати штрих-коду

Дата коду, який також включає рік виготовлення, друкується на корпусі.  
Приклад:

2014 XX JN  
Рік виготовлення

Додаткові заходи безпеки для електроінструменту



**Застереження!** Інструкції з техніки безпеки для всіх ручних пил

## Електрична безпека



Ваш інструмент захищений подвійною ізоляцією, тому заземлюючий провід не потрібен. Завжди перевіряйте, щоб напруга мережі відповідала напрузі, вказаній на таблиці.

- Цей пристрій не призначено для використання маленькими дітьми або немічними людьми. Діти повинні бути під наглядом, щоб вони не гралися з інструментом.
- Якщо оригінальний шнур живлення пошкоджений, він повинен бути замінений виробником або в уповноваженому сервісному центрі STANLEY для того, щоб уникнути небезпеки або пошкоджень.

## Залишкові ризики

Додаткові залишкові ризики можуть виникнути при використанні інструменту, який не може бути включений в описані тут правила техніки безпеки. Ці ризики можуть виникнути при неправильному або тривалому використанні виробу і т.д. Незважаючи на дотримання відповідних правил техніки безпеки та використання запобіжних пристроїв, деякі залишкові ризики неможливо уникнути. Вони включають в себе:

- Травми в результаті торкання обертових/рухомих частин.
- Ризик отримання травми під час зміни деталей інструменту, ножів або насадок.
- Травми, викликані тривалим використанням інструменту. При використанні інструменту протягом тривалого часу робіть регулярні перерви в роботі.
- Поганий слух
- Збиток здоров'ю внаслідок вдихання пилу при використанні інструменту (приклад: робота з деревом, особливо, з деревиною дуба, бука і деревоволокнистими плитами середньої щільності)

## Характеристики (мал. 1)

- Спусковий перемикач
- Основна рукоятка
- Вторинна захоплююча рукоятка
- Регульовані гвинти башмака
- Регульований башмак
- Зажим для полотна пилки

## Монтаж і налагодження



**Застереження: НЕБЕЗПЕКА РОЗРІЗУ.** Вимкніть і відключіть інструмент від джерела живлення перед виконанням будь-яких регулювань, зняттям або установкою додаткового приладдя або аксесуарів.



**Застереження:** Тримайте інструмент обома руками під час всіх операцій різання.



**Застереження:** Перевірте робочу зону на наявність прихованої електропроводки, газових або водопровідних труб, перш ніж зробити сліпі надрізи. Невиконання цієї вимоги може привести до удару електричним струмом, пожежі, вибуху або пошкодження майна.



**Застереження: НЕБЕЗПЕКА РОЗРІЗУ.** Може статися поломка полотна, якщо полотно не виходить за башмак і заготівлю під час різання. Існує підвищений ризик отримання травми оператором, а також пошкодження башмака і заготовки.



**Застереження:** Завжди використовуйте захисні окуляри. Звичайні окуляри НЕ є захисними окулярами. Крім того, користуйтеся захисною маскою або респіратором, якщо робота з різання є пильною. ЗАВЖДИ використовуються сертифіковане ОБЛАДНАННЯ ДЛЯ ЗАБЕЗПЕЧЕННЯ БЕЗПЕКИ.



**Застереження: НЕБЕЗПЕКА РОЗРІЗУ.** Перед тим як розрізати будь-який тип матеріалу, переконайтеся, що він надійно закріплений або затиснутий, щоб запобігти ковзанню.

- Увімкніть двигун пилки перш, ніж застосувати натиснення на інструмент.
- Встановіть полотно злегка проти розрізаючої заготовки.

**Застереження: НЕБЕЗПЕКА РОЗРІЗУ. Ніколи не тримайте й не використовуйте продукт з пальцями на кнопці регулювання башмака. Завжди тримайте пилу обома руками під час різання, як показано на малюнку 2.** Всякий раз, коли це можливо, башмак пилки повинен надійно утримуватися на матеріалі. Це стане запобіжним заходом для пилки від стрибків, вібрування і зведе до мінімуму можливість поломки полотна.

## Перемикач змінної швидкості (мал. 3)

Курковий вимикач змінної швидкості додає інструменту універсальності. Чим глибше втоплений курок вимикача, тим вище буде швидкість пилки. Щоб включити інструмент, відпустіть курковий вимикач.



**Застереження: НЕБЕЗПЕКА РОЗРІЗУ.** Цей інструмент не має функції для блокування перемикача в положенні ВКЛ., і ні за яких обставин не може бути заблокований в положенні ВКЛ. будь-якими іншими засобами.

## Установка і видалення полотна (мал. 4)



**Застереження: НЕБЕЗПЕКА РОЗРІЗУ.** Вимкніть і відключіть інструмент від джерела живлення перед виконанням будь-яких регулювань, зняттям або установкою додаткового приладдя або аксесуарів. Полотно повинно виходити за башмак і товщину заготовки під час різання. Вибирати



полотно, яке найкраще підходить для розрізання і використовуйте найкоротше полотно, що підходить для товщини матеріалу. Не використовуйте полотна для ножівки з цим інструментом.



**Застереження: НЕБЕЗПЕКА РОЗРІЗУ.** Може статися поломка полотна в тому випадку, якщо полотно не виходить за башмак і заготівлю під час різання. Існує підвищений ризик отримання травми оператором, а також пошкодження черевика і заготівлі.

#### Для установки полотна в пилу

1. Тримайте інструмент в стороні від тіла.
2. Поверніть комір затиску полотна в напрямку, показаному на малюнку 4.
3. Вставте хвостовик полотна повністю в комір затиску полотна.
4. Відпустіть комір затиску полотна для фіксації лева в потрібному положенні.

**Примітка:** Полотно може бути встановлено з зубами вгору для різання урівень.

#### Для видалення полотна з пилки



**Застереження: НЕБЕЗПЕКА РОЗРІЗУ.** Вимкніть і відключіть інструмент від джерела живлення перед виконанням будь-яких регулювань, зняттям або установкою додаткового приладдя або аксесуарів.



**Застереження:** Небезпека опіку. Не торкайтеся до полотна відразу після використання. Зіткнення з полотном може призвести до травми.

1. Поверніть комір затиску полотна, щоб звільнити місце.
2. Зніміть полотно.

#### Регульований башмак (мал. 5)



**Застереження: НЕБЕЗПЕКА РОЗРІЗУ.** Може статися поломка полотна в тому випадку, якщо полотно не виходить за башмак і заготівлю під час різання. Існує підвищений ризик отримання травми оператором, а також пошкодження черевика і заготівлі.



**Застереження: НЕБЕЗПЕКА РОЗРІЗУ.** Вимкніть і відключіть інструмент від джерела живлення перед виконанням будь-яких регулювань, зняттям або установкою додаткового приладдя або аксесуарів. Черевик буде відрегульований для обмеження глибини різку. Використовуйте М4 (5/32 дюйма) шестигранний ключ (не входить в комплект), звільніть гвинти (малюнок 5) і пересуньте башмак до бажаної глибини, потім міцно затягніть гвинти.



**Застереження: НЕБЕЗПЕКА РОЗРІЗУ.** Для запобігання втрати контролю, ніколи не використовуйте інструмент без башмака.

**Застереження: НЕБЕЗПЕКА ТРАВМИ АБО ПОШКОДЖЕННЯ МАЙНА.** Переконайтеся, що башмак заблокований в правильному положенні перед використанням інструменту.

#### Різка урівень (мал.6)

- Компактний дизайн корпусу двигуна сабельної пили і поворотний башмак дозволяють робити різання практично поблизу с підлогою, кутами і в інших важкодоступних місцях.
- Для максимальної ефективності різання урівень, вставте полотно в затиск полотна із зубцями вгору.
- Переверніть пилку догори ногами, так щоб ви могли знаходитися настільки близько до робочої поверхні, наскільки це можливо.

#### Розпилювання металу (мал. 7)

- Використовуйте тонке полотно для чорних металів і грубе полотно для кольорових металів
- При різанні тонкого каліброваного листового металу до нижньої частини аркуша краще притиснути шматок дерева. Це дозволить зробити чистий зріз без підвищеної вібрації або розриву металу.
- Чи не прикладайте великих зусиль під час різання, так як це знижує термін служби полотна і викликає поломку дорогих полотен.

**Примітка:** Нанесіть тонкий шар масла або іншого теплоносія вздовж лінії розрізу перед розпилком для полегшення роботи і збільшення терміну служби полотна.

#### Кишенькова різка - тільки для дерева (мал. 8)

- Виміряйте площу відрізуваної поверхні і зробіть позначки олівцем або крейдою.
- Вставте полотно в затиск і надійно затягніть зажим полотна.
- Відведіть пилку назад, до тих пір, поки задній край башмака НЕ ляже на робочу поверхню поки повністю висунуте рухливе полотно не вийде на поверхню.
- Тримайте інструмент обома руками, включіть двигун, і дайте полотну набрати максимальну швидкість.
- Почніть повільно, навмисно ведучи основну ручку пилки вгору.
- Полотно почне входити в матеріал. Переконайтеся, що полотно повністю пройшло через матеріал, перш ніж продовжити здійснювати кишенькове різання.

## Поради щодо здійснення проекту

- Використовуйте тільки гострі полотна; вони ріжуть чистіше, швидше і дають менше навантаження на двигун під час різання.
- При різанні завжди перевіряйте, щоб черевик надійно утримував заготовлю, і заготовля захищена від переміщення/ковзання. Це посилить контроль оператора і зведе вібрацію до мінімуму.
- Для збільшення терміну служби полотна, використовуйте біметалеві полотна. Вони виготовлені з вуглецевої сталі з зварними зубцями з швидкорізальної сталі, що робить полотно більш гнучким і менш схильним до руйнування.

## Акcesуари

Для цієї пилки підходять полотна довжиною до 12 дюймів. Завжди використовуйте найкоротше полотно, відповідне для вашого проекту, але при цьому необхідно, щоб воно було досить довге і дозволило полотну проходити через матеріал. Довші полотна, частіше можуть бути зігнуті або пошкоджені під час використання. Під час роботи деякі довгі полотна можуть вібрувати або коливатися, якщо пила не перебувати у контакті із заготовлю.

**Застереження:** Акcesуари, крім тих, які пропонує STANLEY, не були протестовані за допомогою цього продукту, тому використання таких акcesуарів може призвести до небезпечної ситуації. Щоб знизити ризик отримання травми, рекомендується використовувати з цим продуктом виключно акcesуари STANLEY.

## Обслуговування

Ваш інструмент STANLEY був розроблений для роботи протягом тривалого періоду часу при мінімальному технічному обслуговуванні. Для забезпечення задовільної роботи, інструмент повинен правильно зберігатися і піддаватися регулярному чищенню.

**Застереження!** Перед виконанням будь-яких робіт з обслуговування вимкніть і відключіть інструмент.

- Регулярно очищайте вентиляційні прорізи інструменту м'якою щіткою або сухою тканиною.
- Регулярно очищайте корпус двигуна вологою тканиною. Не використовуйте для чищення абразивні матеріали або матеріали на основі розчинника.

## Інформаційна служба

STANLEY пропонує повну мережу авторизованих сервісних центрів, що належать компанії по всій Азії. Всі сервісні центри STANLEY укомплектовані персоналом, який пройшов навчання, щоб надати клієнтам ефективний і надійний сервіс. Незалежно чи потрібна вам технічна рада, ремонт або оригінальні запасні частини, вам необхідно звернутися в найближчий до вас сервісний центр STANLEY.

## Примітки

- Політика STANLEY є процесом безперервного вдосконалення нашої продукції і, таким чином, ми залишаємо за собою право змінювати специфікацію продукту без попереднього повідомлення.
- Стандартне обладнання та акcesуари можуть варіюватися залежно від країни.
- Характеристики можуть відрізнятися в залежності від країни.
- Повний асортимент продукції може варіюватися залежно від країни. Зв'яжіться з вашим місцевим дилером STANLEY для отримання інформації про моделі, що є в наявності.

## Технічні дані

Специфікації		STPT0900
Вхідна потужність	W	900
Напруга	V	220-240
Частота	Hz	50/60
Швидкість без навантаження	/хвил	0-3200
Вага	кг	3,2

## Повна гарантія терміном на два роки



Роздільний збір і утилізація. Цей продукт не слід утилізувати разом з побутовим сміттям.

Якщо ви зрозумієте, що ваш продукт Stanley потребує заміни, або якщо він не має ніякого подальшого застосування для вас, не викидайте його разом з побутовими відходами. Надайте цей продукт для роздільного збору/утилізації.



Роздільний збір продуктів і упаковок дозволяє здійснити їх переробку і використати їх повторно. Повторне використання

перероблених матеріалів допомагає захищати довкілля від забруднення і знижує витрату сировинних матеріалів.

Місьцеве законодавство може забезпечити збір старих електроінструментів окремо від побутового сміття на муніципальних звалищах відходів або в торговому підприємстві при купівлі нового виробу. Stanley забезпечує можливість для збору і утилізації продуктів Stanley, як тільки вони досягли кінця свого терміну служби. Для того, щоб скористатися цією послугою, ви можете здати ваш виріб у будь-який авторизований сервісний центр, який збирає їх за нашим дорученням.

Ви можете упізнати місце знаходження вашого найближчого авторизованого сервісного центру, звернувшись в місьцеве відділення Stanley за адресою, вказаною в цьому керівництві. Крім того, список авторизованих ремонтних агентів Stanley і повну інформацію про наше післяпродажне обслуговування і контакти ви можете знайти в Інтернеті: [www.2helpu.com10](http://www.2helpu.com10)

## Два рік повної гарантії

Якщо ваш продукт STANLEY виходить з ладу із-за дефектних матеріалів або виготовлення впродовж 24 місяців з дати купівлі, STANLEY Europe гарантує заміну усіх несправних деталей безкоштовно або - на власний розсуд - заміну продукту безкоштовно за умови, що:

- Продукт використовувався правильно, його експлуатація проводилася строго відповідно до інструкції з експлуатації.
- Продукт піддавався звичайному зносу;
- Ремонт не проводився сторонніми особами;
- Представлені документи, що підтверджують купівлю.
- Продукт STANLEY повертається в повному комплекті з усіма оригінальними компонентами

Якщо ви хочете зробити заявку, зв'яжіться з продавцем або з'ясуйте місце знаходження вашого найближчого авторизованого сервісного агента Stanley в каталозі Stanley або зверніться в місьцеве представництво Stanley за адресою, вказаною в цьому посібнику. Список авторизованих сервісних агентів Stanley і повну інформацію про наше післяпродажне обслуговування можна знайти в Інтернеті за адресою: [www.stanleytools.com](http://www.stanleytools.com)

**STANLEY**

## Гарантійні умови

## Шановний покупець!

1. Вітаємо Вас з покупкою високоякісного виробу STANLEY і висловлюємо вдячність за Ваш вибір.
2. При покупці виробу вимагайте перевірки його комплектності і справності у Вашій присутності, інструкцію за експлуатації та заповнений гарантійний талон українською мовою

В гарантійному талоні повинні бути внесені: модель, дата продажу, серійний номер, дата виробництва інструменту; назва, печатка і підпис торгової організації. За відсутності у Вас правильно заповненого гарантійного талону, а також при невідповідності зазначених у ньому даних ми будемо змушені відхилити Ваші претензії щодо якості даного виробу.

3. Щоб уникнути непорозумінь, переконливо просимо Вас перед початком роботи з виробом уважно ознайомитися з інструкцією з його експлуатації. Правовою основою справних гарантійних умов є чинне Законодавство. Гарантійний термін на даний виріб складає 24 місяці і обчислюється з дня продажу. У разі усунення недоліків виробу, гарантійний строк продовжується на період його перебування в ремонті. Термін служби виробу становить 5 років з дня продажу.
4. У разі виникнення будь-яких проблем у процесі експлуатації виробу рекомендуємо Вам звертатися тільки в уповноважені сервісні центри STANLEY, адреси та телефони яких Ви зможете знайти в гарантійному талоні, на сайті [www.2helpU.com](http://www.2helpU.com) або дізнатися в магазині. Наші сервісні станції - це не тільки кваліфікований ремонт, але і широкий асортимент запчастин і аксесуарів.
5. Виробник рекомендує проводити періодичну перевірку і технічне обслуговування виробу в уповноважених сервісних центрах.
6. Наші гарантійні зобов'язання поширюються тільки на несправності, виявлені протягом гарантійного терміну і викликані дефектами виробництва та \ або матеріалів.
7. Гарантійні умови не поширюються на несправності виробу, що виникли в результаті:
  - 7.1 Недотримання користувачем приписів інструкції з експлуатації виробу, застосування виробу не за призначенням, неправильного зберігання, використання приладдя, витратних матеріалів і запчастин, що не передбачені виробником.
  - 7.2 Механічного пошкодження (відколи, тріщини і руйнування) внутрішніх і зовнішніх деталей виробу, основних і допоміжних рукояток, мережевого кабелю, що викликані зовнішнім ударним або будь-яким іншим впливом

- 7.3 Потраплення у вентиляційні отвори та проникнення всередину виробу сторонніх предметів, матеріалів або речовин, що не є відходами, які супроводжують застосування виробу за призначенням, такими як: стружка, тирса, пісок, та ін.
- 7.4 Впливу на виріб несприятливих атмосферних і інших зовнішніх факторів, таких як дощ, сніг, підвищена вологість, нагрівання, агресивні середовища, невідповідність параметрів електромережі, що зазначені на інструменті.
- 7.5 Стихийного лиха. Пошкодження або втрати виробу, що пов'язані з непередбаченими лихами, стихійними явищами, у тому числі внаслідок дії непереборної сили (пожежа, блискавка, потоп і інші природні явища), а також внаслідок перепадів напруги в електромережі та іншими причинами, які знаходяться поза контролем виробника.
8. Гарантійні умови не поширюються:
  - 8.1 На інструменти, що піддавались розкриттю, ремонту або модифікації поза уповноваженим сервісним центром.
  - 8.2 На деталі, вузли та матеріали, що мають сліди природного зносу, такі як: приводні ремені і колеса, вугільні щітки, мастило, підшипники, зубчасті зчеплення редукторів, гумові ущільнення, сальники, направляючі ролики, муфти, вимикачі, бойки, штовхачі, стволі тощо.
  - 8.3 На змінні частини: патрони, цанги, затискні гайки і фланці, фільтри, акумуляторні батареї, ножі, шліфувальні підшови, ланцюги, зірочки, пильні шми, захисні кожухи, пилки, абразиви, пильні і абразивні диски, фрези, свердла, бури тощо
  - 8.4 На несправності, що виникли в результаті перевантаження інструменту (як механічного, так і електричного), що спричинили вихід з ладу одночасно двох і більше деталей і вузлів, таких як: ротора і статора, обох обмоток статора, веденої і ведучої шестерень редуктора або інших вузлів і деталей. До безумовних ознак перевантаження виробу відносяться, крім інших: поява кольорів мліливості, деформація або оплавлення деталей і вузлів виробу, потемніння або обвуглювання ізоляції проводів електродвигуна під впливом високої температури.



Виробник:  
"Stanley Black & Decker Deutschland GmbH" Black-&-Decker Str.40, D-65510 Idstein, Німеччина



## Names & Addresses for STANLEY Service Concessionaries - MIDDLE EAST & AFRICA

**ALGERIA:** Sarl Outillage Corporation, 08 Rue Med Boudiaf - Cheraga - Algiers, Algeria. Tel: (213-21) 375130, Fax: (213-21) 369667. **ANGOLA:** Angoferraria, Lda., Rua Robert Shields, No. 61, Luanda, Angola. Tel: 00244-222-395837 / 222-395034, Fax: 00244-222-394790. **AZERBAIJAN:** Royalton Holdings Ltd. 41 Khagani St. Apt. 47 AZ 1001, Baku. Tel: (994-12) 4935544, Fax: (994-12) 5980378. **BAHRAIN:** Kavalani & Sons W.L.L., P.O. Box 71, Sitra, Manama, Tel: (973) 17732888, Fax: (973) 17737379. Alfouz Services Co. W.L.L., P.O. Box 26562, Tubli, Manama. Tel: (973) 17783562, Fax: (973) 17783479. **EGYPT:** El Farab S.A.E., 15-Nabil El Wakkad Street, Dokki, Giza, Egypt. Tel: 00202-37603946 / 002-010-2582544, Fax: 00202-33352796. **ETHIOPIA:** Seif Tewfik Sherif, Arada Sub-City, Kebele 01/02, Global Insurance Building, 2nd Floor, Room 43, P.O. Box 2525, Addis Ababa, Ethiopia. Tel: (251-11) 1563968/ 1563969, Fax: (251-11) 1558009. **IRAQ:** Financial Links, Kazzaz Building Ararat Al-Hindia Block No: 629 Street: 31 Building No: 1 Baghdad - Iraq. Tel: 00964 (0)780 195 2223/ 00964 (0)781 3763044. Al Sard Co. for General Trading Ltd. Jbara Bldg. 3Flr, Al Rasheed St. Bagdad. Tel: (964) 18184102. Sakhar Group, Arrasat al-hindya Al Masbah, Baghdad. (964) 7400144446. **JORDAN:** Palestine Bldg. Matl. (Bashiti Hardware), 93 King Abdullah 2nd Street. Opp. ELBA House, P.O. Box 3005, Amman 11953, Tel: (962-6) 5349098, Fax: (962-6) 5330731. **KENYA:** Dextron Tools Ltd., P.O. Box 20121-00200, Shariff House, Kimathi Street, Nairobi. Tel: (254-20) 6905000/ 2358021, Fax: (254-20) 6905111/ 6905112. **KUWAIT:** Al Omar Technical Co., P.O. Box 4062, 13041 Safat, Kuwait. Tel: (965) 24848595/ 24840039, Fax: (965) 24845652. Fawaz Al Zayani Establishment, P.O. Box 42426, Shop No. 18, Al Humaizi Commercial Complex, Khalifa Al Jassim, Shuwaikh, Kuwait. Tel: (965) 24828710, Fax: (965) 24828716. Fawaz Al Zayani Establishment, P.O. Box 42426, Shop No.18, Al Humaizi Commercial Complex, Khalifa Al Jassim, Shuwaikh, Kuwait. Tel: (965) 24828710, Fax: (965) 24828716. Fawaz Al Zayani Establishment, Fahaleh Industrial Area, Main St., Sanaya, Kuwait. Tel: (965) 23925830, Fax: (965) 24828716. **LEBANON:** Est. Shaya & Azar S.A.R.L., Boulevard Jdeideh - Mar Takla - Bouchrieh P.O. Box 90545 Jdeideh.Beirut - Lebanon. Tel: 00961 1 872305 / 306 , Fax: 00961 1 872303. **LIBYA:** North Africa Trading ( El Ghoul Brothers), AlHilal Service Center Tawergha St. Misurata. Tel: 00218-091-3221408. **(Benghazi)** Sniydal st., Amr Ibn El-Aas Rd. Tel: (+218) 92 5771120. **(Tripoli)** Al Barniq Service Center, Mokhazin elskar st., ElFallah. Tel: (+218) 21 4808019. **(Misrata)** Al Hilal Service Center, Tawergha st. Tel: (+218) 51 2626743. **MAURITIUS:** Robert Le Marie Limited, Old Moka Road, Bell Village, P.O. Box 161, Port Louis, Tel: 00230-212 1865/ 212 2847, Fax: 00230-2080843. **MOROCCO:** Ets Louis Guillaud & Cie, 149, Quartier Industriel, Moulay Rachid, Casablanca, Postal Code 20450, Morocco. Tel: 00212-522729233, Fax: 00212-522729096. **NIGERIA:** Meridian Power Tools Ltd., Gr.Floor, #1 Alhaji Masha Rd, Next to Teslim Balogun Stadium, Near National Stadium Surulere, Lagos, Nigeria. Tel: 00234-1-7740431 / 7740410, Fax: 00234-1-7913798. **OMAN:** Al Jizzi Company LLC, P.O. Box 1704, PC 112 Ruwi, Oman. Tel: (968) 24832618/ 24835153, Fax: (968) 24831334/24836460. Al Hassan Technical & Construction Supplies Co. LLC, P.O. Box 1948, P.C. 112, Ruwi, Tel: (968) 24810575 / 24837054, Fax: (968) 24810287/ 24833080. Oman Hardware Co. LLC, P.O. Box 635, Ruwi Postal Code 112, Te. (968) 24815131, Fax: (968) 24816491. Khimji Ramdas, P.O. Box 19, Post Code 100, Ghalia, Muscat, Oman. Tel: (968) 2459596/ 907, Fax: (968) 24852752. Oman Marketing & Service Co. (Omasco), P.O. Box 2734, Behind Honda Showroom, Wattayah, Oman. Tel: (968) 24560232/ 24560255, Fax: (968) 24560993. Oman Marketing & Service Co. (Omasco), Al Ohi, Sohar, Oman. Tel: (968) 26846379, Fax: (968) 26846379. Oman Marketing & Service Co. (Omasco), Sanaya, Salalah, Oman. Tel: (968) 23212290, Fax: (968) 23210936. **PAKISTAN:** ZIT Co - Nasir & Bros., 2nd Floor, Qadri Center, Chokwal Dargan Railway Road, Lahore, Pakistan. Tel: 0092 42 37670839, Fax: 0092 42 37652989. Ammar Service & Spares, 60-Bank Arcade, Serai Road, Karachi, Pakistan. Tel: (92-21) 32426905, Fax: (92-21) 32427214. **QATAR:** Teyseer Industrial Supplies & Services Co. W.L.L, 55, Al Wakalat St. (Between St. 18 & 19) Salwa Industrial Area, P.O. Box 40523 Doha, Qatar. Tel: (974) 44581536, Fax: (974) 44682024. Shaheen Electrical Works & Trading Co. W.L.L, Gate 34, St. 44 Industrial Area P.O. Box 9756, Doha, Qatar. Tel: (974) 44600230 / 44600525, Fax: (974) 44601338. Al Mufah Service Centre, Al Wakrah Road, P.O. Box 875, Doha, Qatar. Tel: (974) 44650880/ 44650110/ 44446868, Fax: (974) 44441415 / 44662599. **SAUDI ARABIA: (Al Bahr)** Mohamed Ahmed Bin Afif Est., P.O. Box 530, Yanbu, Al Bahr. Tel: (966-4) 3222626/ 3228867, Fax: (966-4) 3222210. **(Al Khobar)** Fawaz Ebrahim Al Zayani Trading Est., P.O. Box 76026, Al Khobar # 31952, Tel: (966-3) 8140914, Fax: (966-3) 8140824. MSS (Al-Mojil Supply & Services) P.O. Box 450, Jubail 31951, Opp. Gulf Bridge Library & Riyadh House. Tel: (966-3) 3612850/ 3624487/ 3621729, Fax: (966-3) 3623589/ 3620783. **(Dammam)** MSS (Al-Mojil Supply & Services), P.O. Box 450, Jubail 31951, Opp-Gulf Bridge Library & Riyadh House. Tel: (966-3) 3612850 / 3624487 / 3621729, Fax: (966-3) 3623589 / 3620783. **(Al Bawardi Tools & Hardware)**, P.O. Box 112, Dammam, Tel: (966-3) 8330780 Ext.24 / 8348585 Ext. 24 / +966-3-8335555, Fax: (966-3) 8336303. **(Al Hassa)** Mutawa Trading & Gen. Services, Maliki road Hafuf city, Al Hassa, KSA. Tel: (966-6) 502846275 **(Jeddah)** Al Bawardi Tools & Hardware, P.O. Box 16905, Jeddah 21474, Tel: (966-2) 6444547 / 6439035 / 6456095, Fax: (966-2) 6439024. EAC (Al Yousef Contg. & Trdg. Est.), P.O. Box 30377, Jeddah -21477, Tel: (966-2) 6519912, Fax: (966-2) 6511153. **(Madina)** Garziz Trading for Bldg Mat & Decoration, P.O. Box 3364, Madina. Tel: (966-4) 826 14 90 / 8227636, Fax: (966-4) 8265741. **(Riyadh)** Industrial Material Organization (IMO), P.O. Box 623, Rial Street ,Riyadh, Tel: (966-1) 4028010 Ext 26 / 8001245757, Fax: (966-1) 4037970. Sultan Garment Factory (RSC), P.O. Box 29912, Riyadh 11467, KSA, Tel: (966-1) 4055148 / 4042889, Fax: (966-1) 4055148. Al Bawardi Tools & Hardware, P.O. Box 68, Riyadh 11411, Tel: (966-1) 4484999, Fax: (966-1) 4487877. **(Yanbu)** Fawaz Ebrahim Al Zayani, Opposite to Al Fouzan, Jeddah highway or King Abdul Aziz road, Yanbu. Tel: (966-4) 3960980, Fax: (966-4) 3961980. Mohamed Ahmed Bin Afif Est., P.O. Box 530, Yanbu, Al Bahr, Tel: (966-4) 3222626/ 3228867, Fax: (966-4) 3222210. **SOUTH AFRICA:** Stanley Black & Decker - RSA, 199 Winetree Drive Stormill Exit 9 Rooodepoort. Tel: (2711) 472 0454, Fax: (2711) 472 0482. Trevco Power Tool Service 14 Steenbok Street, Koedoespoort, 0186, Pretoria, South Africa. Tel: (27-86) 1873826, Fax: (27-86) 5001771. **TANZANIA:** General Motors investment Ltd., P.O. Box 16541, 14 Nyerere Road, Vingunguti, Dar-es-Salaam. Tel: (255 22) 2862661/ 2865022, Fax: (255 22) 2862667. **TUNISIA:** Societe Tunisienne De Maintenance (STM), Rue de la Physique. Nouvelle Zone Industrielle Ben Arous., 2013 Ben Arous, Tunisia. Tel: (+216) 79 389687, Fax: (+216) 71 385154. **UAE: (Abu Dhabi)** Light House Electrical, P.O. Box 120, Abu Dhabi. Tel: (971-2) 6726131, Fax: (971-2) 6720667. Galaxy Equipment Trading, Madinat Zayed (Baada Zaid), Abu Dhabi P.C. 58910, Tel: (971-2) 8844279, Fax: (971-2) 8844297 **(Ajman)** Al Sukoon Gen. Trdg. Co. LLC, P.O. Box 2975, Ajman. Tel: (971-6) 7435725/ 7438317, Fax: (971-6) 7437350, Al Sukoon Gen. Trdg. Co. LLC, P.O. Box 2975, Ajman, Tel: (971-6) 7435725 / 7438317, Fax: (971-6) 7437350 **(Al Ain)** Zillion Equipment and Spare Parts Trading LLC, P.O. Box 19740, Opp. Bin Sada/ Trimix Redymy Sanaiya, Al Ain. Tel: (971-3) 7216690, Fax: (971-3) 7216103. **(Dubai)** Black & Decker (Overseas) GmbH, P.O. Box 5420, Dubai. Tel: (971-4) 8127400/ 8127406, Fax: (971-4)2822765. Ideal Star Workshop Eqp't.Trading LLC, P.O. Box 37116, Al Quoz, Dubai. Tel: (971-4) 3474160, Fax: (971-4) 3474157, Fine Tools, P.O.Box 30139 , Al Quoz, Dubai, Tel: (971-4) 3385240, Fax: (971-4) 3385239, Albreah Engineering Service, P.O. Box 78954, Al Qusais , Dubai. Tel: (971-4) 2850044, Fax: (971-4) 2844802. **(Musafah)** Light House Electrical, P.O. Box 120, Abu Dhabi. Tel: (971-2) 5548315, Fax: (971-2) 5540461. **(Sharjah)** Mc Coy Middle East LLC, P.O. Box 25793, Sharjah, Tel: (971-6) 5395931, Fax: (971-6) 5395932. Burj Al Madeena, Industrial Area No.1, Opp. Pakistani Masjid, P.O. Box 37635, Sharjah. Tel: (971-6) 5337747, Fax: (971-6) 5337719. Burj Al Madeena , Industrial Area No 1 opp Pakistani Masjid P.O. Box 37635, Sharjah, Tel: (971-6) 5337747, Fax: (971-6) 5337719 **(Ras Al Khaimah)** Mc Coy Middle East LLC, P.O. Box 10584, Ras Al Khaimah. Tel: (971-7) 2277095, Fax: (971-7) 2277096. **UGANDA:** The Building Center (U) Ltd., 52 Station Road, Kitgum House, P.O. Box 7436, Kampala, Uganda. Tel: (256-41) 4234567/ 4259754, Fax: (256-41) 4236413. **YEMEN: (Aden)** Middle East Trad. Co. Ltd. (METCO), Mualla Dakka, Aden, Yemen. Tel: (967-2) 222670, Fax: (967-2) 222670. **(Sana'a)** Middle East Trad. Co. Ltd. (METCO), Hayel St., Sana'a, Yemen. Tel: (967-1) 204201, Fax: (967-1) 204204. **(Taiz)** Middle East Trading Co. (METCO), P.O. Box 12363, 5th Flr, Hayel Saeed Anam Bldg, Al-Mugammah St. Taiz, Yemen. Tel: (967-4) 213455, Fax: (967-4) 219869.