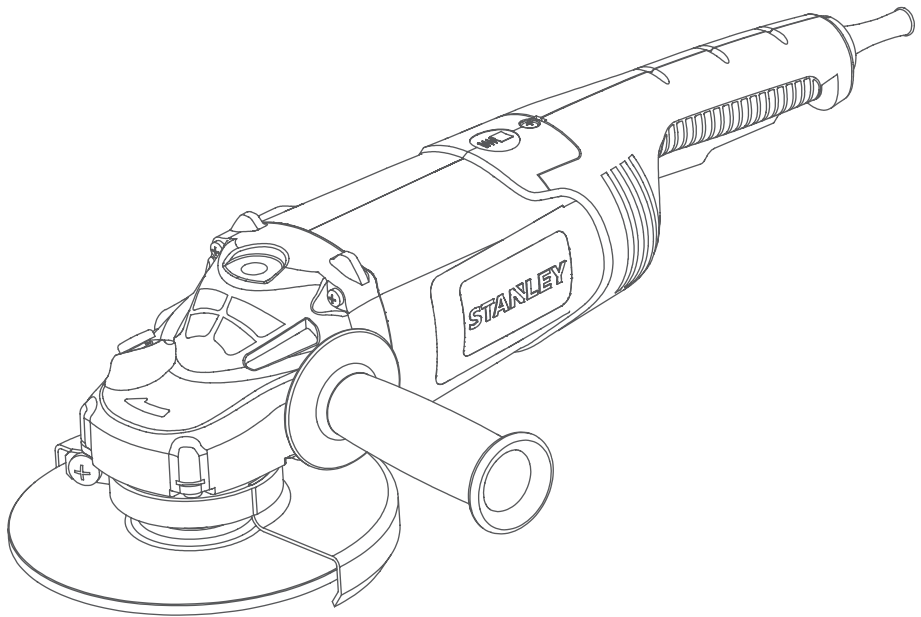


STANLEY®



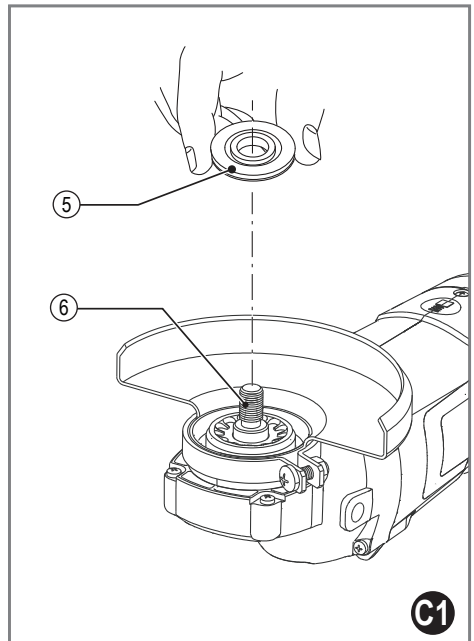
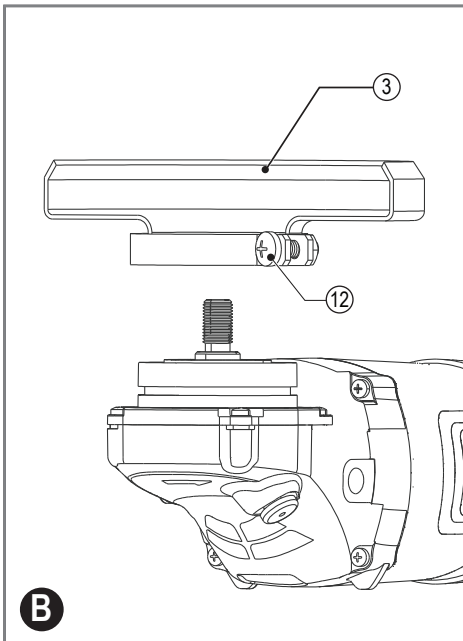
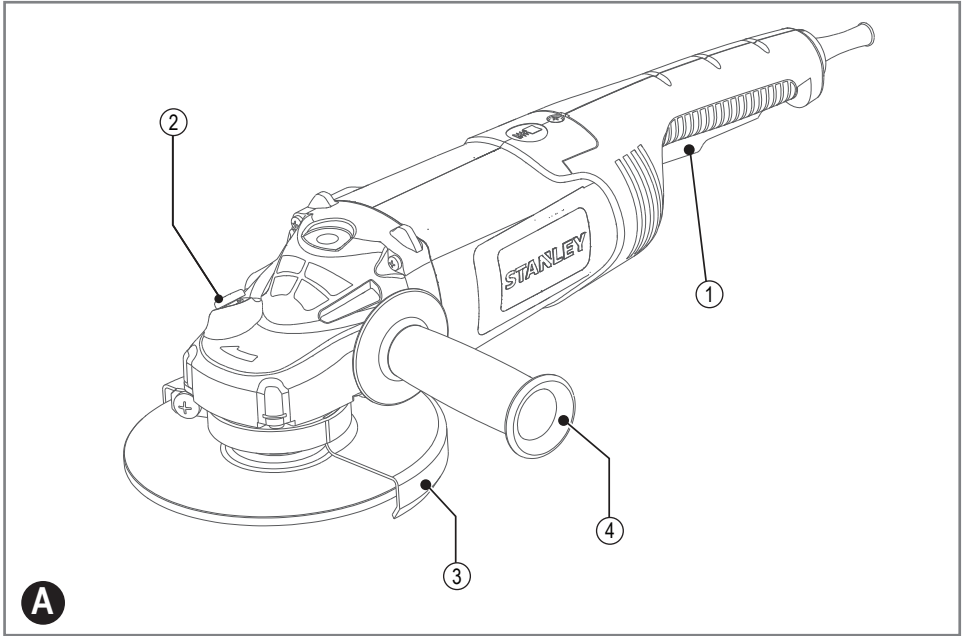
SL207

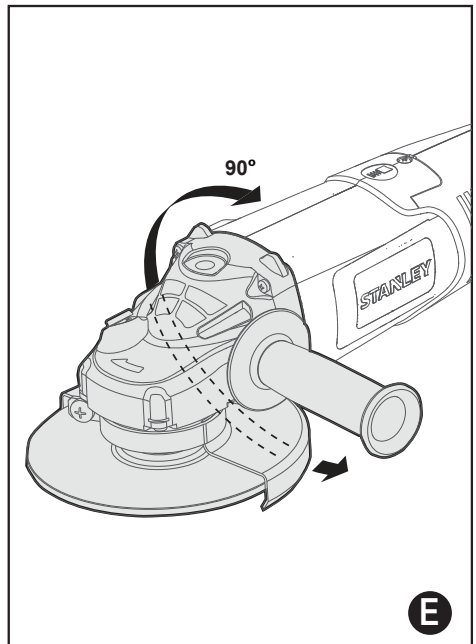
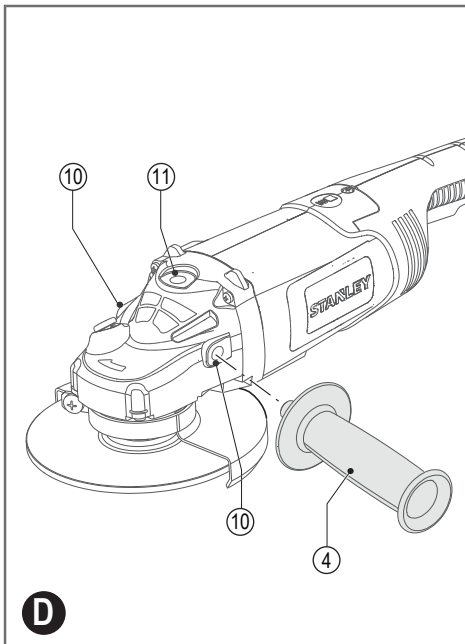
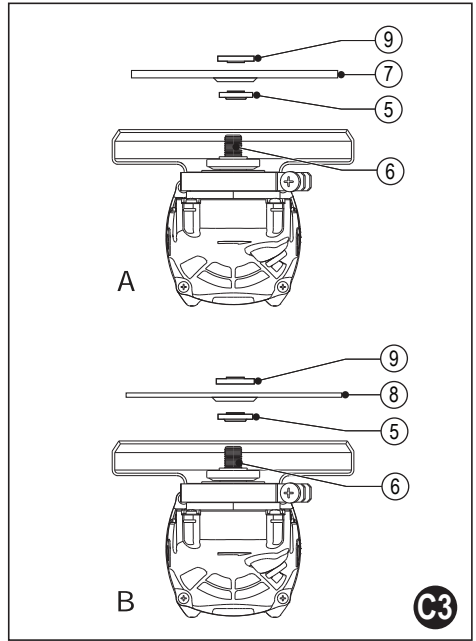
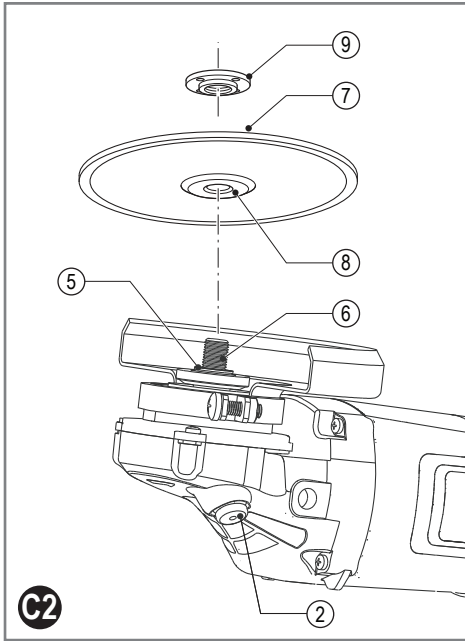
SL209

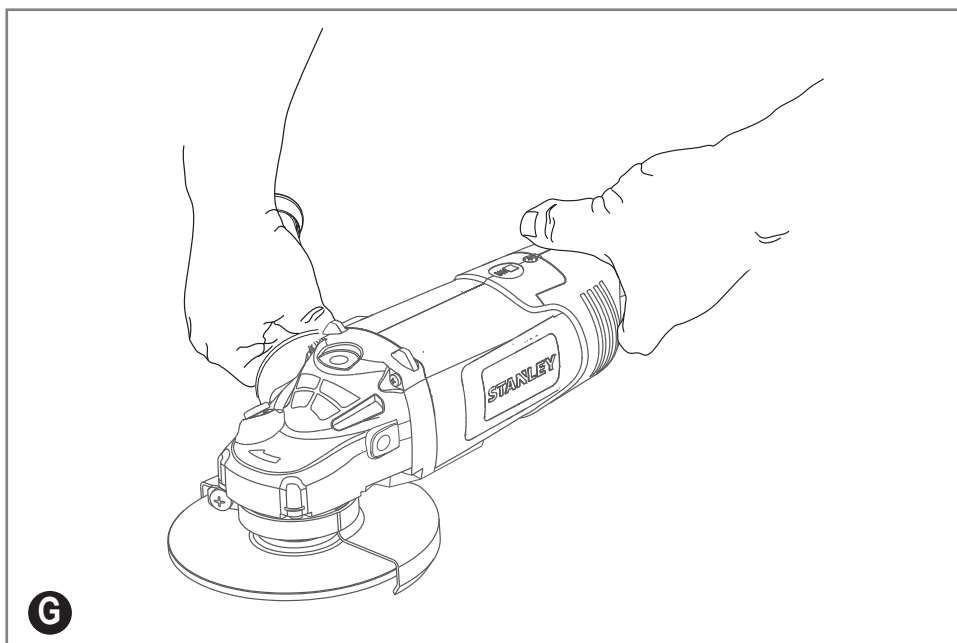
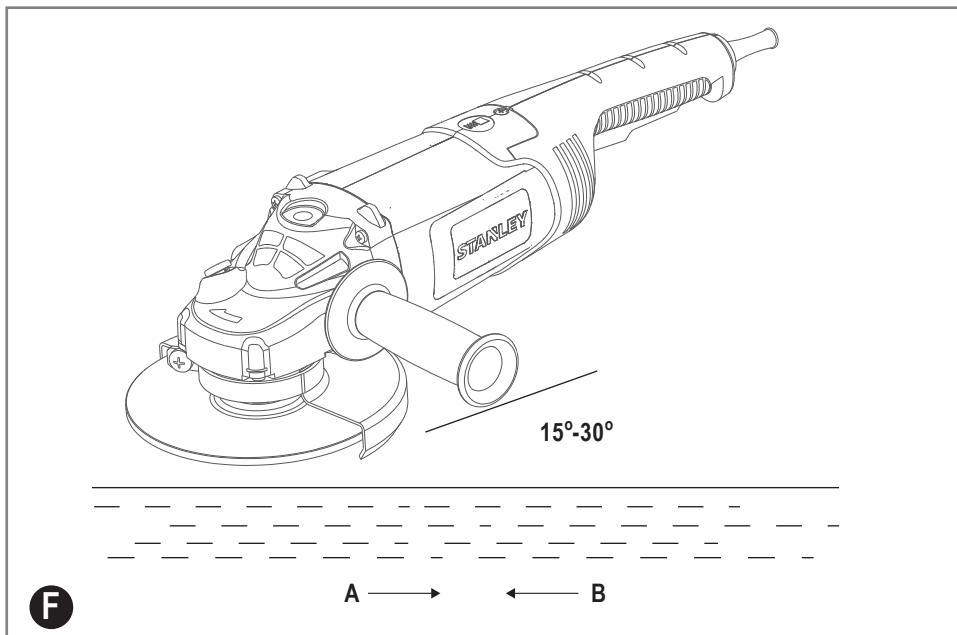
SL227/SL227S

SL229/SL229S

English	Page	05
French	Page	12
العربية	Page	20







INTENDED USE

Your STANLEY large angle grinder SL207, SL209, SL227/SL227S, SL229/SL229S have been designed for grinding metal using the appropriate type of grinding disc. These tools are intended for professional use.

SAFETY INSTRUCTIONS**General power tool safety warnings**

WARNING! Read all safety warnings, instructions, illustrations and specifications provided with this power tool. Failure to follow all instructions listed below may result in electric shock, fire and/or serious injury.

Save all warnings and instructions for future reference.

The term "power tool" in the warnings refers to your mains-operated (corded) power tool or battery-operated (cordless) power tool.

1. Work area safety

- a. **Keep work area clean and well lit.** Cluttered or dark areas invite accidents.
- b. **Do not operate power tools in explosive atmospheres, such as in the presence of flammable liquids, gases or dust.** Power tools create sparks which may ignite the dust or fumes.
- c. **Keep children and bystanders away while operating a power tool.** Distractions can cause you to lose control.

2. Electrical safety

- a. **Power tool plugs must match the outlet. Never modify the plug in any way. Do not use any adapter plugs with earthed (grounded) power tools.** Unmodified plugs and matching outlets will reduce risk of electric shock.
- b. **Avoid body contact with earthed or grounded surfaces such as pipes, radiators, ranges and refrigerators.** There is an increased risk of electric shock if your body is earthed or grounded.
- c. **Do not expose power tools to rain or wet conditions.** Water entering a power tool will increase the risk of electric shock.
- d. **Do not abuse the cord. Never use the cord for carrying, pulling or unplugging the power tool. Keep cord away from heat, oil, sharp edges or moving parts.** Damaged or entangled cords increase the risk of electric shock.
- e. **When operating a power tool outdoors, use an extension cord suitable for outdoor use.** Use of a cord suitable for outdoor use reduces the risk of electric shock.
- f. **If operating a power tool in a damp location is unavoidable, use a residual current device (RCD) protected supply.** Use of an RCD reduces the risk of electric shock.

3. Personal safety

- a. **Stay alert, watch what you are doing and use common sense when operating a power tool. Do not use a power tool while you are tired or under the influence of drugs, alcohol or medication.** A moment of inattention while operating power tools may result in serious personal injury.
- b. **Use personal protective equipment. Always wear eye protection.** Protective equipment such as a dust mask, non-skid safety shoes, hard hat, or hearing protection used for appropriate conditions will reduce personal injuries.
- c. **Prevent unintentional starting. Ensure the switch is in**

the off-position before connecting to power source and/or battery pack, picking up or carrying the tool. Carrying power tools with your finger on the switch or energising power tools that have the switch on invites accidents.

- d. **Remove any adjusting key or wrench before turning the power tool on.** A wrench or a key left attached to a rotating part of the power tool may result in personal injury.
 - e. **Do not overreach. Keep proper footing and balance at all times.** This enables better control of the power tool in unexpected situations.
 - f. **Dress properly. Do not wear loose clothing or jewellery. Keep your hair and clothing away from moving parts.** Loose clothes, jewellery or long hair can be caught in moving parts.
 - g. **If devices are provided for the connection of dust extraction and collection facilities, ensure these are connected and properly used.** Use of dust collection can reduce dust-related hazards.
 - h. **Do not let familiarity gained from frequent use of tools allow you to become complacent and ignore tool safety principles.** A careless action can cause severe injury within a fraction of a second.
4. **Power tool use and care**
 - a. **Do not force the power tool. Use the correct power tool for your application.** The correct power tool will do the job better and safer at the rate for which it was designed.
 - b. **Do not use the power tool if the switch does not turn it on and off.** Any power tool that cannot be controlled with the switch is dangerous and must be repaired.
 - c. **Disconnect the plug from the power source and/or remove the battery pack, if detachable, from the power tool before making any adjustments, changing accessories, or storing power tools.** Such preventive safety measures reduce the risk of starting the power tool accidentally.
 - d. **Store idle power tools out of the reach of children and do not allow persons unfamiliar with the power tool or these instructions to operate the power tool.** Power tools are dangerous in the hands of untrained users.
 - e. **Maintain power tools and accessories. Check for misalignment or binding of moving parts, breakage of parts and any other condition that may affect the power tools operation. If damaged, have the power tool repaired before use.** Many accidents are caused by poorly maintained power tools.
 - f. **Keep cutting tools sharp and clean.** Properly maintained cutting tools with sharp cutting edges are less likely to bind and are easier to control.
 - g. **Use the power tool, accessories and tool bits etc. in accordance with these instructions, taking into account the working conditions and the work to be performed.** Use of the power tool for operations different from those intended could result in a hazardous situation.
 - h. **Keep handles and grasping surfaces dry, clean and free from oil and grease.** Slippery handles and grasping surfaces do not allow for safe handling and control of the tool in unexpected situations.
 5. **Service**
 - a. **Have your power tool serviced by a qualified repair person using only identical replacement parts.** This will ensure that the safety of the power tool is maintained.

SAFETY INSTRUCTIONS FOR ALL OPERATIONS**Safety warnings common for grinding.**

- a. **This power tool is intended to function as a grinder. Read all safety warnings, instructions, illustrations and specifications provided with this power tool.** Failure to follow all instructions listed below may result in electric shock, fire and/or serious injury.
- b. **Operations such as polishing, cutting-off and wire brushing are not recommended to be performed with this power tool.** Operations for which the power tool was not designed may create a hazard and cause personal injury.
- c. **Do not use accessories which are not specifically designed and recommended by the tool manufacturer.** Just because the accessory can be attached to your power tool, it does not assure safe operation.
- d. **The rated speed of the accessory must be at least equal to the maximum speed marked on the power tool.** Accessories running faster than their rated speed can break and fly apart.
- e. **The outside diameter and the thickness of your accessory must be within the capacity rating of your power tool.** Incorrectly sized accessories can not be adequately guarded or controlled.
- f. **Threaded mounting of accessories must match the grinder spindle thread. For accessories mounted by flanges, the arbor hole of the accessory must fit the locating diameter of the flange.** Accessories that do not match the mounting hardware of the power tool will run out of balance, vibrate excessively and may cause loss of control.
- g. **Do not use a damaged accessory. Before each use inspect the accessory such as abrasive wheel for chips and cracks. If power tool or accessory is dropped, inspect for damage or install an undamaged accessory. After inspecting and installing an accessory, position yourself and bystanders away from the plane of the rotating accessory and run the power tool at maximum no-load speed for one minute.** Stop immediately if there is a considerable vibration or if other defects are detected. If this condition occurs, check the machine to determine the cause. Always store the abrasive wheel safely and on dry places outside of the reach of children. Damaged accessories will normally break apart during this test time.
- h. **Wear personal protective equipment. Depending on application, use face shield, safety goggles or safety glasses. As appropriate, wear dust mask, hearing protectors, gloves and shop apron capable of stopping small abrasive or workpiece fragments. The eye protection must be capable of stopping flying debris generated by various operations.** The dust mask or respirator must be capable of filtrating particles generated by your operation. Prolonged exposure to high intensity noise may cause hearing loss.

- i. **Keep bystanders a safe distance away from work area. Anyone entering the work area must wear personal protective equipment.** Fragments of workpiece or of a broken accessory may fly away and cause injury beyond immediate area of operation.
- j. **Hold the power tool by insulated gripping surfaces only, when performing an operation where the cutting accessory may contact hidden wiring or its own cord.** Cutting accessory contacting a "live" wire may make exposed metal parts of the power tool "live" and could give the operator an electric shock.
- k. **Position the cord clear of the spinning accessory.** If you lose control, the cord may be cut or snagged and your hand or arm may be pulled into the spinning accessory.
- l. **Never lay the power tool down until the accessory has come to a complete stop.** The spinning accessory may grab the surface and pull the power tool out of your control.
- m. **Do not run the power tool while carrying it at your side.** Accidental contact with the spinning accessory could snag your clothing, pulling the accessory into your body.
- n. **Regularly clean the power tool's air vents.** The motor's fan will draw the dust inside the housing and excessive accumulation of powdered metal may cause electrical hazards.
- o. **Do not operate the power tool near flammable materials.** Sparks could ignite these materials.
- p. **Do not use accessories that require liquid coolants.** Using water or other liquid coolants may result in electrocution or shock.

FURTHER SAFETY INSTRUCTIONS FOR ALL OPERATIONS**Kickback and related warnings**

Kickback is a sudden reaction to a pinched or snagged rotating wheel, backing pad, brush or any other accessory. Pinching or snagging causes rapid stalling of the rotating accessory which in turn causes the uncontrolled power tool to be forced in the direction opposite of the accessory's rotation at the point of the binding.

For example, if an abrasive wheel is snagged or pinched by the workpiece, the edge of the wheel that is entering into the pinch point can dig into the surface of the material causing the wheel to climb out or kick out. The wheel may either jump toward or away from the operator, depending on direction of the wheel's movement at the point of pinching. Abrasive wheels may also break under these conditions.

Kickback is the result of tool misuse and/or incorrect operating procedures or conditions and can be avoided by taking proper precautions as given below:

- a. **Maintain a firm grip on the power tool and position your body and arm to allow you to resist kickback forces. Always use auxiliary handle, if provided, for maximum control over kickback or torque reaction during start up.** The operator can control torque reaction or kickback forces, if proper precautions are taken.

- b. **Never place your hand near the rotating accessory.** Accessory may kickback over your hand.
- c. **Do not position your body in the area where power tool will move if kickback occurs.** Kickback will propel the tool in direction opposite to the wheel's movement at the point of snagging.
- d. **Use special care when working corners, sharp edges etc. Avoid bouncing and snagging the accessory.** Corners, sharp edges or bouncing have a tendency to snag the rotating accessory and cause loss of control or kickback.
- e. **Do not attach a saw chain woodcarving blade or toothed saw blade.** Such blades create frequent kickback and loss of control.

- Risk of personal injury due to prolonged use.
- Risk of dust from hazardous substances.

ELECTRICAL SAFETY



Your tool is double insulated; therefore no earth wire is required. Always check that the main voltage corresponds to the voltage on the rating plate.



WARNING! If the power cord is damaged, it must be replaced by the manufacturer, authorized STANLEY Service Center or an equally qualified person in order to avoid damage or injury. If the power cord is replaced by an equally qualified person, but not authorized by STANLEY, the warranty will not be valid.

SAFETY WARNINGS SPECIFIC FOR GRINDING

- a. **Use only wheel types that are recommended for your power tool and the specific guard designed for the selected wheel.** Wheels for which the power tool was not designed cannot be adequately guarded and are unsafe.
- b. **The grinding surface of the centre depressed wheels must be mounted below the plane of the guard lip.** An improperly mounted wheel that projects through the plane of the guard lip cannot be adequately protected.
- c. **The guard must be securely attached to the power tool and positioned for maximum safety, so the least amount of wheel is exposed towards the operator.** The guard helps to protect the operator from broken wheel fragments, accidental contact with wheel and sparks that could ignite clothing.
- d. **Wheels must be used only for recommended applications. For example: do not grind with the side of cut-off wheel.** Abrasive cut-off wheels are intended for peripheral grinding, side forces applied to these wheels may cause them to shatter.
- e. **Always use undamaged wheel flanges that are of correct size and shape for your selected wheel.** Proper wheel flanges support the wheel thus reducing the possibility of wheel breakage. Flanges for cut-off wheels may be different from grinding wheel flanges.
- f. **Do not use worn down wheels from larger power tools.** Wheel intended for larger power tool is not suitable for the higher speed of a smaller tool and may burst.

USING AN EXTENSION CABLE

If it is necessary to use an extension cable, please use an approved extension cable that fits the tool's power input specifications. The minimum cross-sectional area of the conducting wire is 1.5 sq. mm. Cables should be untangled before reeling up.

Cable cross-sectional area (mm ²)	Cable cross-sectional area (mm ²)
0.75	6
1.00	10
1.50	15
2.50	20
4.00	25

Cable length (m)						
	7.5	15	25	30	45	60

Voltage	Amperes	Cable rated current (Ampere)					
		6	6	6	6	6	10
110-127	0 - 2.0	6	6	6	6	6	10
	2.1 - 3.4	6	6	6	6	15	15
	3.5 - 5.0	6	6	10	15	20	20
220-240	5.1 - 7.0	10	10	15	20	20	25
	7.1 - 12.0	15	15	20	25	25	-
	12.1 - 20.0	20	20	25	-	-	-
220-240	0 - 2.0	6	6	6	6	6	6
	2.1 - 3.4	6	6	6	6	6	6
	3.5 - 5.0	6	6	6	6	10	15
220-240	5.1 - 7.0	10	10	10	10	15	15
	7.1 - 12.0	15	15	15	15	20	20
	12.1 - 20.0	20	20	20	20	25	-

ADDITIONAL SAFETY INFORMATION

- This tool is not designed to be used with wire wheels and wire cup.



WARNING: We recommend the use of a residual current device with a residual current rating of 30mA or less.

RESIDUAL RISKS

In spite of the application of the relevant safety regulations and the implementation of safety devices, certain residual risks cannot be avoided. These are:

- Impairment of hearing
- Risk of personal injury due flying particles.
- Risk of burns due to accessories becoming hot during operation.

LABELS ON TOOL

The label on your tool may include the following symbols:

	WARNING! To reduce the risk of injury, the user must read the instruction manual before use.		
	Wear safety glasses or goggles.		
	Wear ear protection.		
	Wear a dust mask.		
V	Volts		Direct Current
A	Amperes	n_0	No-Load Speed
Hz	Hertz		Class II Construction
W	Watts		Earthing Terminal
min	minutes		Safety Alert Symbol
	Alternating Current	/min.	Revolutions or Reciprocation per minute

Position of date code

The date code, which also includes the year of manufacture, is printed into the housing.

Example:

2017 XX JN
Year of manufacturing

PACKAGE CONTENTS

- 1 Angle grinder
- 1 Guard
- 1 Side handle
- 1 Flange set
- 1 Two-pin spanner
- 1 Instruction manual
- Check for damage to the tool, parts or accessories which may have occurred during transport.
- Take the time to thoroughly read and understand this manual prior to operation.

FEATURES (Fig A)

This appliance includes some or all of the following features.

WARNING: Never modify the power tool or any part of it. Damage or personal injury could result.

1. Switch
2. Spindle lock
3. Guard
4. Side handle

Purpose of design

This angle grinder is designed especially for grinding.

Do not use sandpaper discs and grinding wheels other than those with depressed center.

Do not use the tool in wet conditions or environments in the presence of flammable liquids or gases.

This angle grinder is a professional power tool. Do not allow children to come in contact with this tool. Inexperienced operators are required to use this tool under supervision.

ASSEMBLY



WARNING: To minimize the danger of serious personal injury, please switch off the tool power and disconnect all plugs before adjusting or removing/installing any accessory. Before reassembling the tool, press and release the trigger switch to make sure the tool is already switched off.

Attaching and removing the wheel guard (Fig. B)



WARNING To minimize the danger of serious personal injury, please switch off the tool power and disconnect all plugs before adjusting or removing/installing any accessory. Before reassembling the tool, press and release the trigger switch to make sure the tool is already switched off.

Attaching the guard

1. Place the angle grinder on a work bench, groove facing up.
2. Bring the flange of the guard (3) collar over the groove of the gear housing.
3. Turn the guard (3) counterclockwise by 150 degrees.
4. Make sure that the screws (12) are tightened.

Removing the guard

1. Loosen the screws (12) on the guard collar.
2. Pull up the guard (3).



WARNING: Do not operate the tool when the safety guard is not in place.

Fitting and removing a grinding wheel (Fig C1, C2, C3)



WARNING: Do not use damaged grinding wheels.

1. Place the tool on a work bench, guard up.
2. Fit the inner flange (5) correctly onto the spindle (6) (Fig. C1).
3. Place the disc (7) on the flange (5) (Fig.C2). When fitting a disc with a raised center, make sure that the raised centre (8) is facing the flange (5).
4. Screw the out flange (9) onto the spindle (6) (Fig. C3)
 - the ring on the flange (9) must face towards the disc when fitting a grinding disc (C3-A)
 - the ring on the flange (9) must face away from the disc when fitting a cutting disc (C3-B)

5. Press the spindle lock (2) and rotate the spindle (6) until it locks in position (Fig. C2).
6. Tighten the flange (9) with the two-pin spanner supplied.
7. Release the spindle lock.
8. To remove the disc, loosen the flange (9) with the two-pin spanner.



WARNING: Do not use a damaged disc.

Attaching the Side Handle (Fig D)



WARNING: Before using the tool, check that the handle is tightened securely.



WARNING: The side handle should always be used to maintain control of the tool at all times.

Screw the side handle (4) tightly into one of the holes (10) or (11) on either side of the gear case.

Preparation before use

- Attach the safety guard and appropriate abrasive or grinding wheels. Do not use abrasive or grinding wheels that are overly worn.
- Make sure that the inner and outer flanges are attached correctly.
- Make sure that the abrasive or grinding wheels are rotating in the direction of the arrows on the accessories and tool.

VOLTAGE DROPS

In rush currents cause short-time voltage drops. Under unfavourable power supply conditions, other equipment may be affected. If the system impedance of the power supply is lower than 0.175Ω , disturbances are unlikely to occur.

USE (Fig F)



WARNING: Always observe the safety instructions and applicable regulations.



WARNING: To minimize the danger of serious personal injury, please switch off the tool power and disconnect all plugs before adjusting or removing/installing any accessory. Before reassembling the tool, press and release the trigger switch to make sure the tool is already switched off.

- Make sure all materials to be grinded are secured in position.
 - Apply slight pressure to the tool. Do not apply side pressure to the abrasive disc.
 - Avoid overloading. If the tool becomes hot, let it spin for a few minutes with no load.
1. Be sure to hold the tool tightly with both hands (one hand on housing, the other on side handle). Start the tool and bring the grinding wheel on the workpiece.
 2. Keep the edge of the wheel tilted at angle from 15 to 30 degrees against the surface of the workpiece.
 3. When using a new grinding wheel, do not operate the wheel in the B direction, otherwise, it will cut into the workpiece. When the

edge of wheel has been rounded off, you are free to operate the grinder in either the A or B direction.

Starting and stopping (Fig A)



WARNING: Before using the tool, check whether the handle is tightened securely. Check whether the switch is working normally.

Before plugging in the tool to the power supply, check whether the switch is in the OFF position.



WARNING: Do not switch the tool on or off while under load conditions.

Proper hand position (Fig G)



WARNING: To reduce the risk of serious personal injury, ALWAYS use proper hand position as shown.



WARNING: To reduce the risk of serious personal injury, ALWAYS hold securely in anticipation of a sudden reaction.

Proper hand position requires one hand on the side handle (figure A), with the other hand on the body of the tool, as shown in figure G.

Soft Start Feature SL227S and SL229S

The soft start feature allows a slow speed build-up to avoid an initial jerk when starting. This feature is particularly useful when working in confined spaces.

Switch

CAUTION: Hold the body of the tool firmly to maintain control of the tool at start up and during use and until the wheel or accessory stops rotating. Make sure the wheel has come to a complete stop before laying the tool down.

NOTE: To reduce unexpected tool movement, do not switch the tool on or off while under load conditions. Allow the grinder to run up to full speed before touching the work surface. Lift the tool from the surface before turning the tool off. Allow the tool to stop rotating before putting it down.



WARNING: Before connecting the tool to a power supply, be sure the slider switch is in the off position by pressing the front part of the switch and releasing. Ensure the slider switch is in the off position as described above after any interruption in power supply to the tool, such as the activation of a ground fault interrupter, throwing of a circuit breaker, accidental unplugging, or power failure. If the slider switch is locked on when the power is connected, the tool will start unexpectedly.

Lock-Off feature of the switch

Slide trigger (1) to the front of the tool and then press the trigger (1), the tool will start. Release the trigger (1), the tool will stop running.

Explanation: Before coming into contact with the object you are working on, make sure the abrasive wheel is turning at maximum speed. Before turning off the tool, lift the tool up from the object you are working on.

CAUTION: Make sure the abrasive wheel is completely stopped before putting down the tool.

Rotating the gear case (Fig E)

The gear case is mounted onto the tool casing, and it can be rotated to give the user a more comfortable experience while cutting.

The rotating gear case can be turned 90 degrees, 180 degrees, and 270 degrees to the left or to the right.

- Loosen the four screws on the gear case.
- Rotate the gear case till it reaches its ideal location.
- Tighten the four screws on the gear case.
- Ensure that the rotating mechanism is locked.



WARNING: Do NOT use the tool when the gear case is unlocked.

Application on metals

When applying the tool on metals, make sure that a residual-current device (RCD) is inserted to prevent danger from metal chips.

If the RCD causes power disconnection, have the tool sent to an authorized STANLEY dealer for repair.



WARNING: Under extreme working conditions, conductive dust and grit may accumulate on the housing interior when handling metal workpieces. This could create an electric shock hazard as it weakens the protective insulation in the grinder.

To avoid accumulation of metal chips in the interior of the grinder, we recommend cleaning the ventilation ducts daily. Refer to Maintenance.

Using grinding wheels



WARNING: Metal powder accumulates. Excessive use of the grinding wheel on metals may increase the risk of electric shock. To reduce the risk, insert the RCD before use and clean the ventilation ducts daily. Follow the maintenance instructions below to blow dry compressed air into the ventilation ducts.

Lubrication



This power tool does not require separate lubrication.



Cleaning



WARNING: Once visible dust accumulates on the ventilation ducts and the surrounding, immediately use dry air to blow away dust and grit out of the interior of the housing. You need to wear approved eye and facial protective gear when performing this process.



WARNING: Never use solvents or harsh chemicals to clean non-metal parts of the tool. These chemicals may weaken the material of the parts. Use only mild soap and damp cloth to clean the tool. Never let any liquid get inside the tool; never immerse any part of the tool into liquid.

ACCESSORIES



WARNING: Excluding accessories provided by STANLEY, all other accessories have not been tested for product compatibility. Using such accessories together with this tool may cause safety hazards. To minimize the risk of personal injury, we recommend you to use only STANLEY accessories with this product.

Please inquire at your dealer for more information regarding suitable accessories.

PROTECTING THE ENVIRONMENT



Separate collection. This product must not be disposed of with normal household waste.

Should you find one day that your STANLEY product needs replacement, or if it is of no further use to you, do not dispose of it with household waste. Make this product available for separate collection.



STANLEY provides a facility for the collection and recycling of STANLEY products once they have reached the end of their working life. To take advantage of this service please return your product to any authorised repair agent who will collect them on our behalf.

You can check the location of your nearest authorised repair agent by contacting your local STANLEY office at the address indicated in this manual. Alternatively, a list of authorised STANLEY repair agents and full details of our after-sales service and contacts are available on the Internet at www.2helpU.com.

MAINTENANCE

Your STANLEY tool has been designed to operate over a long period of time with a minimum of maintenance. Continuous satisfactory operation depends upon proper tool care and regular cleaning.



WARNING: To minimize the danger of serious personal injury, please switch off the tool power and disconnect all plugs before adjusting or removing/installing any accessory. Before reassembling the tool, press and release the trigger switch to make sure the tool is already switched off.

Pop-off Brushes

The motor will be automatically shut off indicating that the carbon brushes are nearly worn out and that the tool needs servicing. The carbon brushes are not user-serviceable. Take the tool to an authorized STANLEY repair agent.

NOTES

STANLEY's policy is one of continuous improvement to our products and as such, we reserve the right to change product specifications without prior notice. Standard equipment and accessories may vary by country. Product specifications may differ by country.

Complete product range may not be available in all countries. Contact your local STANLEY dealers for range availability

SERVICE INFORMATION

STANLEY offers a full network of company-owned and authorized service locations. All STANLEY Service Centers are staffed with trained personnel to provide customers with efficient and reliable power tool service. For more information about our authorized service centers and if you need technical advice, repair, or genuine factory replacement parts, contact the STANLEY location nearest you.

TWO YEAR WARRANTY

If your STANLEY product becomes defective due to faulty materials or workmanship within 24 months from the date of purchase, STANLEY guarantees to replace all defective parts free of charge or – at our discretion – replace the unit free of charge provided that:

- The product has not been misused and has been used in accordance with the instruction manual;
- The product has been subject to fair wear and tear;
- Repairs have not been attempted by unauthorized persons;
- Proof of purchase is produced;
- The STANLEY product is returned complete with all original components;
- The product hasn't been used for hire purposes.

If you wish to make a claim, contact your seller or check the location of your nearest authorised STANLEY repair agent in the STANLEY catalogue or contact your local STANLEY office at the address indicated in this manual. A list of authorised STANLEY repair agents and full details of our after sales service is available on the internet at: www.2helpU.com

TECHNICAL DATA

LARGE ANGLE GRINDER		SL207	SL209	SL227/SL227S*	SL229/SL229S*
Input voltage	V _{AC}	220-240	220-240	220-240	220-240
Frequency	Hz	50-60	50-60	50-60	50-60
Power input	W	2000	2000	2200	2200
No-load speed	min ⁻¹	8500	6500	8500	6500
Wheel diameter	mm	180	230	180	230
Spindle size		M14	M14	M14	M14
Max disc thickness					
Grinding discs	mm	6.6	6.6	6.6	6.6
Weight	kg	4.1	4.1	4.3	4.3

EPTA weight is the bare tool without guard, side handle, flange or cable

* SL227S and SL229S have "SOFT START" function

UTILISATION PRÉVUE

Votre meuleuse d'angle large SL207, SL209, SL227/SL227S, SL229/SL229S de STANLEY a été spécialement conçue pour le meulage de métal en utilisant le disque de meulage approprié. Cet outil est destiné à un usage professionnel.

CONSIGNES DE SÉCURITÉ

Avertissements de sécurité générale concernant l'outil électrique



AVERTISSEMENT! Lisez tous les avertissements de sécurité, les instructions, les illustrations et les spécifications fournies avec cet outil électrique. Le non-respect de ces avertissements et de ces instructions peut provoquer un incendie, une électrocution et/ou de graves blessures.

Conservez ces avertissements et ces instructions à titre de référence ultérieure. Le terme « outil électrique » dans les avertissements fait référence à votre outil électrique alimenté par le courant (avec cordon d'alimentation) ou fonctionnant sur batterie (sans cordon).

1. Sécurité de l'aire de travail

a. **Travaillez dans un endroit propre et bien éclairé.** Les zones encombrées et sombres peuvent entraîner des accidents.

b. **Ne mettez pas en marche votre outil électrique dans un environnement explosif, ou en présence de liquides inflammables, de gaz, ou de poussières.** La mise en marche de l'outil crée des étincelles qui peuvent enflammer les poussières ou vapeurs.

c. **Éloignez les enfants et les personnes présentes de la zone lorsque l'outil est en fonctionnement.** Toute distraction peut vous faire perdre le contrôle de l'outil.

2. Sécurité électrique

a. **Les fiches de l'outil électrique doivent correspondre à la prise secteur.** Ne modifiez jamais la fiche, de quelque manière que ce soit. N'utilisez pas d'adaptateurs avec des outils ayant une prise de terre (mis à la terre). Des fiches non modifiées et raccordées aux prises murales correspondantes réduiront les risques de choc électrique.

b. **Évitez le contact direct avec les surfaces mises à la terre ou mises à la masse comme les canalisations, les radiateurs, les cuisinières et les réfrigérateurs.** Le risque de choc électrique augmente si votre corps est mis à la terre ou à la masse.

c. **N'utilisez pas d'outils électriques dans des environnements pluvieux ou humides.** Si de l'eau s'introduit dans un outil électrique, le risque de choc électrique augmentera.

d. **Ne malmenez pas le cordon d'alimentation.** N'utilisez jamais le cordon pour transporter, tirer ou débrancher l'outil électrique. Veillez à garder le cordon éloigné des

sources de chaleur, des huiles, des rebords coupants ou des pièces mobiles. Les câbles endommagés ou entremêlés augmentent le risque de choc électrique.

e. **Lorsqu'un outil électrique est utilisé à l'extérieur, utilisez uniquement une rallonge spécialement prévue à cet effet.** L'usage d'une rallonge adaptée

à l'utilisation en extérieur réduit le risque de choc électrique.

f. **Habillez-vous correctement. Ne portez pas de vêtements amples ou de bijoux.** Gardez vos cheveux, vos vêtements et vos gants éloignés des pièces mobiles. Tenez vos cheveux, vêtements et gants éloignés des pièces mobiles. Les vêtements amples, les bijoux ou les cheveux longs peuvent être happés par les pièces mobiles.

3. Sécurité personnelle

a. **Soyez vigilant, regardez bien ce que vous faites et faites preuve de bon sens lorsque vous utilisez l'outil électrique.** N'utilisez pas d'outil électrique si vous êtes sous l'influence de drogues, d'alcool ou de médicaments. Un instant d'inattention pendant l'utilisation d'outils électriques peut entraîner des blessures graves.

b. **Utilisez un équipement de protection individuel. Utilisez toujours une protection oculaire.** L'utilisation d'équipements de protection tels que les masques anti-poussière, les chaussures de sécurité antidérapantes, les casques de sécurité ou les protections auditives dans des conditions appropriées réduiront les risques de blessures corporelles.

c. **Évitez les démarrages intempestifs.** Veillez à ce que l'interrupteur soit en position d'arrêt avant de brancher l'outil à une source d'alimentation et/ou une batterie, de ramasser l'outil ou de le transporter. Transporter les outils électriques avec le doigt sur l'interrupteur ou brancher les outils électriques avec l'interrupteur en position de marche peut entraîner des accidents.

d. **Retirez toute clé à molette ou autre clé de réglage avant de mettre l'outil électrique en marche.** Laissez une clé à molette ou une clé sur une partie rotative de l'outil électrique peut engendrer des blessures corporelles.

e. **Ne vous penchez pas trop.** Gardez en permanence une position stable et un bon équilibre. Cela permet un meilleur contrôle de l'outil électrique dans des situations imprévues.

f. **Portez des vêtements appropriés.** Ne portez pas de vêtements amples ou de bijoux. Tenez vos cheveux, vêtements et gants éloignés des pièces mobiles. Les vêtements amples, les bijoux ou les cheveux longs peuvent être happés par les pièces mobiles.

g. **Si des dispositifs destinés au raccordement d'installations d'extraction et de recueil de la poussière sont fournis, assurez-vous qu'ils sont correctement raccordés et utilisés.** L'utilisation de cet outil peut réduire les dangers associés à la présence de poussières.

h. **Ne pensez pas que la familiarité que vous avez acquise en utilisant fréquemment des outils vous permet d'être complaisant et d'ignorer les principes de sécurité concernant l'utilisation des outils.** Une action imprudente peut causer de graves blessures en une fraction de seconde.

4. Utilisation et entretien de l'outil électrique

a. **Ne forcez pas l'outil électrique. Utilisez l'outil électrique adapté à votre travail.** L'outil adapté est

plus efficace et moins dangereuse s'il est utilisé à la vitesse pour laquelle il a été conçu.

- b. **N'utilisez pas l'outil si l'interrupteur ne le met pas en position de marche et d'arrêt.** Tout outil qui ne peut être contrôlé par l'interrupteur est dangereux et doit être réparé.
 - c. **Débrancher la fiche de l'alimentation source et / ou la batterie de la outil électrique avant de faire ajustements, changement d'accessoires, ou stockage d'outils électriques.** Ces mesures de sécurité préventives réduisent le risque de démarrage accidentel de l'outil électrique.
 - d. **Conservez les outils électriques inutilisés hors de la portée des enfants et ne laissez pas de personnes non familiarisées avec l'outil ou ces instructions utiliser l'outil électrique.** Les outils électriques sont dangereux pour les utilisateurs inexpérimentés.
 - e. **Maintenir les outils électriques. Vérifiez la dérive d'alignement ou l'attache des pièces mobiles, toute possibilité de rupture de pièces et tout état pouvant affecter l'outil lors de son utilisation.** Si l'outil est endommagé, faites-le réparer avant de l'utiliser. De nombreux accidents sont dus à des outils électriques mal entretenus.
 - f. **Maintenez les outils de coupe aiguisés et propres.** Les outils de coupe bien entretenus aux bords aiguisés sont moins susceptibles de se coincer et plus faciles à contrôler.
 - g. **Utilisez l'outil électrique, les accessoires et les mâches de l'outil etc., conformément à ces instructions en prenant en compte les conditions de travail et la tâche à réaliser.** L'utilisation de l'outil électrique pour des opérations différentes de celles pour lesquelles il a été conçu peut entraîner une situation dangereuse.
 - h. **Maintenez les poignées et les surfaces de préhension sèches, propres et exemptes d'huile et de graisse.** Des poignées et des surfaces de préhension glissantes ne permettent pas de manipuler l'outil en toute sécurité et de le contrôler dans des situations inattendues.
- 5. Réparation**
- a. **Faites réparer votre outil électrique par un réparateur agréé utilisant uniquement les pièces de rechange identiques.** Cela permettra de garantir la sécurité de l'outil électrique.

CONSIGNES DE SÉCURITÉ POUR TOUTE UTILISATION

Avertissements de sécurité spécifiques au meulage.

- a. **Cet outil électrique est destiné à être utilisé comme une meule. Lisez tous les avertissements de sécurité, les instructions et les illustrations accompagnant cet outil électrique.** Le non-respect des instructions énumérées ci-dessous peut entraîner une décharge électrique, un incendie ou des blessures graves.
- b. **Cet outil n'est pas destiné à être utilisé comme une polisseuse, une tronçonneuse ou une brosse circulaire.** L'utilisation de l'outil non conforme à l'usage

prévu est dangereuse et peut provoquer des blessures corporelles.

- c. **N'utilisez pas d'accessoires autres que ceux spécialement conçus et recommandés par le fabricant de l'outil. Le simple fait de pouvoir fixer un accessoire à votre outil ne signifie pas que son utilisation est sécurisée.**
- d. **La vitesse nominale de l'accessoire doit être au moins égale à la vitesse maximale indiquée sur l'outil électrique.** Les accessoires utilisés à une vitesse supérieure à leur vitesse nominale peuvent se briser et voler en éclats.
- e. **Le diamètre extérieur et l'épaisseur de votre accessoire doivent être inférieurs à la capacité nominale de votre outil électrique.** Les accessoires de taille incorrecte ne peuvent être correctement protégés ou contrôlés.
- f. **Le filetage des accessoires de montage doit correspondre au filetage de la broche de la meuleuse. Pour les accessoires montés avec des flasques, le diamètre intérieur de l'accessoire doit correspondre au diamètre extérieur de positionnement du flasque.** Les accessoires qui ne correspondent pas au matériel de montage de l'outil électrique seront déséquilibrés, ce qui entraînera des vibrations excessives pouvant aboutir à une perte de contrôle.
- g. **N'utilisez pas d'accessoire endommagé. Avant chaque utilisation, inspectez les accessoires tels que les disques abrasifs pour voir s'ils présentent des écailles ou des fissures. En cas de chute de l'outil électrique ou de l'accessoire, vérifiez qu'il n'est pas endommagé ou installez un accessoire en bon état. Après avoir vérifié et installé un accessoire, placez-vous ainsi que les personnes présentes à distance de la surface tournante de l'accessoire et faites tourner l'outil électrique à vitesse maximale à vide pendant une minute. Arrêtez l'outil immédiatement si les vibrations sont considérables ou si d'autres défauts sont détectés. Si cette condition se produit, inspectez l'outil pour en déterminer la cause. Rangez toujours les disques abrasifs en toute sécurité dans un endroit sec hors de la portée des enfants. Les accessoires endommagés vont normalement se briser pendant ce test.**
- h. **Portez un équipement de protection individuelle. En fonction de l'utilisation, utilisez un écran facial, des lunettes protectrices contre les agents chimiques ou des lunettes de sécurité. Si besoin, portez un masque anti-poussière, des protections auditives, des gants et un tablier capable d'arrêter les petits fragments du disque ou de la pièce tronçonnée. La protection oculaire doit pouvoir arrêter les projections de débris générés au cours de différentes opérations. Le masque anti-poussière ou le respirateur doivent être capables de filtrer les particules produites par vos travaux. Une exposition prolongée à des bruits de forte intensité peut provoquer une perte de l'audition.**
- i. **Les personnes présentes doivent se tenir à distance de la zone de travail. Toute personne entrant dans la zone de travail doit porter un équipement de**

protection individuelle. Des fragments de la pièce usinée ou d'un accessoire brisé peuvent être projetés au-delà de la zone de travail immédiate et provoquer des blessures.

- j. Tenez l'outil électrique uniquement par les surfaces isolées lorsque vous effectuez une opération au cours de laquelle l'accessoire coupant peut être en contact avec des câbles cachés ou avec son propre câble d'alimentation. Si un accessoire de coupe entre en contact avec un câble « sous tension », les pièces métalliques de l'outil électrique risquent de transmettre le courant et d'infliger une décharge électrique à l'opérateur.
- k. Éloignez le cordon de l'accessoire en rotation. Si vous perdez le contrôle de l'outil, le cordon peut être coupé ou s'enrouler autour de l'outil, attirant votre main ou bras en contact avec l'accessoire en rotation.
- l. Ne posez jamais l'outil électrique avant que l'accessoire ne soit à l'arrêt complet. L'accessoire en rotation peut accrocher la surface et vous faire perdre le contrôle de l'outil électrique.
- m. Ne faites pas fonctionner l'outil électrique lorsque vous le transportez sur le côté. Un contact accidentel avec l'accessoire en rotation peut accrocher vos vêtements et mettre l'accessoire en contact avec votre corps.
- n. Nettoyez régulièrement les orifices d'aération de l'outil électrique. Tenez l'outil électrique uniquement par les surfaces isolées lorsque vous effectuez une opération au cours de laquelle l'accessoire coupant peut être en contact avec des câbles cachés ou avec son propre câble d'alimentation.
- o. Ne faites pas fonctionner l'outil électrique à proximité de matériaux inflammables. Des étincelles pourraient enflammer ces matériaux.
- p. N'utilisez pas d'accessoires qui nécessitent des liquides de refroidissement. L'usage d'eau ou d'autres liquides de refroidissement peut entraîner une électrocution ou une décharge électrique.

CONSIGNES DE SÉCURITÉ ADDITIONNELLES POUR TOUTE UTILISATION

Recul et mises en garde associées

Le recul est une réaction soudaine provoquée par le pincement ou l'accrochage d'une meuleuse en rotation, d'une plaque, d'une brosse ou de tout autre accessoire. L'accessoire en rotation cale alors rapidement, ce qui projette l'outil électrique non contrôlé dans la direction opposée à la rotation de l'accessoire au point de pincement entre l'accessoire et la pièce.

Par exemple, si un disque abrasif est accroché ou pincé par la pièce à usiner, le rebord du disque qui entre dans le point de pincement peut accrocher la surface du matériau, provoquant des sauts ou des retours de disque. Le disque peut alors dévier vers l'opérateur ou dans la direction opposée selon la direction de rotation du disque au point de pincement. Les disques abrasifs peuvent également se rompre dans ces conditions.

Le recul résulte d'un mauvais usage de l'outil et/ou de l'inobservation des procédures d'utilisation et peut être

évitée en suivant les précautions appropriées indiquées ci-dessous :

- a. Maintenez fermement l'outil électrique et placez votre corps et vos bras de manière à résister aux forces de recul. Utilisez toujours la poignée auxiliaire, s'il y en a une, afin d'avoir une maîtrise maximale du recul ou de la réaction de couple lors du démarrage. L'opérateur peut maîtriser les réactions de couple ou les forces de recul s'il prend les précautions appropriées.
- b. Ne placez jamais votre main à proximité de l'accessoire en rotation. L'accessoire peut rebondir sur votre main.
- c. Ne vous placez pas dans la zone où l'outil électrique se déplacera en cas de rebond. Le recul propulse l'outil dans la direction opposée au mouvement du disque au point d'accrochage.
- d. Soyez particulièrement attentif lorsque vous travaillez sur des angles, des rebords coupants, etc. Évitez d'accrocher ou de faire rebondir l'accessoire. Les coins, les rebords tranchants et les rebonds ont tendance à accrocher l'accessoire en rotation et à provoquer une perte de contrôle ou un recul.
- e. Ne fixez pas de chaîne coupante, de lame à sculpter ou autre lame de scie dentée. Ces lames provoquent souvent des retours et des pertes de contrôle.

AVERTISSEMENTS DE SÉCURITÉ SPÉCIFIQUES AUX OPÉRATIONS DE MEULAGE

- a. Utilisez uniquement les types de disques recommandés pour votre outil électrique et le protège-disque spécifique conçu pour le disque choisi. Les disques pour lesquels l'outil électrique n'a pas été conçu ne peuvent pas être protégés de manière adéquate et sont dangereux.
- b. La surface abrasive des disques à centre incurvé doit être montée au-dessous du plan de la lèvres du protège-disque. Un disque mal monté qui envoie des projections par le plan de la lèvres du protège-disque ne permet pas de protéger adéquatement l'opérateur.
- c. Le protège-disque doit être solidement attaché à l'outil électrique et positionné pour une sécurité maximale, de façon à exposer l'opérateur à la plus petite surface de disque possible. Le protège-disque permet de protéger l'opérateur des fragments de disque cassés, d'un contact accidentel avec le disque et des étincelles qui pourraient enflammer les vêtements.
- d. Les disques doivent être utilisés uniquement pour les applications recommandées. Par exemple, n'utilisez pas le côté d'un disque à découper pour abraiser une surface. Les disques à découper par abrasion sont destinés au meulage périphérique, l'application de forces latérales peut les faire briser en éclats.
- e. Utilisez toujours des flasques de disque en bon état, de taille et de forme adaptées au disque choisi. Des flasques appropriés soutiennent le disque afin de réduire les risques de rupture du disque. Les flasques de disques à découper par abrasion peuvent être différents des flasques des meules.

- f. **N'utilisez pas de disques usés provenant d'outils électriques plus puissants.** Les disques destinés à des outils électriques plus puissants ne sont pas adaptés à la vitesse supérieure d'un outil plus petit et risquent d'éclater.

CONSIGNES DE SÉCURITÉ SUPPLÉMENTAIRES

- Cet outil n'est pas conçu pour être utilisé avec des brosses circulaires et des brosses coupes métalliques.



AVERTISSEMENT : Nous recommandons l'utilisation d'un dispositif à courant résiduel avec un courant résiduel nominal de 30 mA ou moins.

SÉCURITÉ D'AUTRUI

- Cet outil n'est pas destiné à être utilisé par des personnes (y compris les enfants) présentant des capacités physiques, sensorielles ou mentales réduites, ou sans expérience, ni connaissances, à moins qu'elles ne soient surveillées ou qu'elles n'aient été instruites à l'utilisation de l'appareil par une personne responsable de leur sécurité.
- Les enfants doivent être surveillés pour s'assurer qu'ils ne jouent pas avec l'appareil.

RISQUES RÉSIDUELS

Malgré l'application des instructions de sécurité en vigueur et la mise en œuvre des dispositifs de sécurité, certains risques résiduels ne peuvent être évités. Ces risques sont les suivants :

- Troubles de l'audition.
- Risques de blessures corporelles dus aux particules volantes.
- Risques de brûlures dus aux accessoires devenant brûlant durant leur utilisation.
- Risques de blessures corporelles dus à un usage prolongé.
- Risques d'explosion de poussières de substances dangereuses.

SÉCURITÉ ÉLECTRIQUE



Cet outil dispose d'une double isolation ; aucun fil de terre n'est donc nécessaire. Vérifiez toujours que la tension du secteur correspond à celle de la plaque signalétique.



AVERTISSEMENT ! Si le cordon d'alimentation est endommagé, il doit être remplacé par le fabricant ou un centre de réparation agréé STANLEY ou encore une personne tout aussi qualifiée afin d'éviter tout accident ou blessure. En cas de remplacement du cordon d'alimentation par une personne tout aussi qualifiée mais non agréée par STANLEY, la garantie ne sera plus valable.

UTILISATION D'UNE RALLONGE

Si une rallonge est nécessaire, utilisez toujours une rallonge agréée à 3 conducteurs, adaptée à la puissance absorbée par cet outil (voir les caractéristiques techniques). La section minimale des conducteurs est de 1,5 mm² ; la longueur maximale est de 30 m. Lorsque vous utilisez un rouleau à câble, déroulez-le toujours complètement.

Superficie de la section transversale du câble (mm ²)	Intensité nominale du câble (Ampère)
0.75	6
1.00	10
1.50	15
2.50	20
4.00	25





Longueur du câble (m)						
	7.5	15	25	30	45	60

Tension	Ampères	Intensité nominale du câble (Ampère)					
110-127	0 - 2.0	6	6	6	6	6	10
	2.1 - 3.4	6	6	6	6	15	15
	3.5 - 5.0	6	6	10	15	20	20
	5.1 - 7.0	10	10	15	20	20	25
	7.1 - 12.0	15	15	20	25	25	-
	12.1 - 20.0	20	20	25	-	-	-
	220-240	0 - 2.0	6	6	6	6	6
	2.1 - 3.4	6	6	6	6	6	6
	3.5 - 5.0	6	6	6	6	10	15
	5.1 - 7.0	10	10	10	10	15	15
	7.1 - 12.0	15	15	15	15	20	20
	12.1 - 20.0	20	20	20	20	25	-

ÉTIQUETTES DE L'OUTIL

L'étiquette apposée sur votre outil peut afficher les symboles suivants :

	AVERTISSEMENT ! Pour réduire tout risque de blessure, l'utilisateur doit lire le manuel d'instructions avant toute utilisation.		
	Portez des lunettes de sécurité ou des lunettes-masque.		
	Portez des protège-oreilles.		
	Portez un masque anti-poussière.		
V	Volts	---	Courant continu
A	Ampères	n ₀	Vitesse à vide

Hz	Hertz		Construction de classe II
W	Watts		Borne de terre
min	minutes		Symbole d'alerte de sécurité
	Courant alternatif	/min.	Tours ou mouvements alternatifs par minute

Position du code de la date

Le code de date qui comporte également l'année de fabrication est imprimé sur le logement.

Exemple :

2017 XX JN
Année de fabrication

L'ENSEMBLE CONTIENT

- 1 Meuleuse d'angle
- 1 Protège-disque
- 1 Poignée latérale
- 1 Jeu de flasques
- 1 Clé à deux ergots
- 1 Manuel d'instruction
- Vérifiez que l'outil, les pièces détachées et les accessoires n'ont pas été endommagés durant le transport.
- Prenez le temps de bien lire et comprendre ce manuel avant d'utiliser l'outil.

CARACTÉRISTIQUES (FIG. A)

Cet outil présente certaines ou toutes les fonctionnalités suivantes.



AVERTISSEMENT : Ne modifiez jamais l'outil électrique ou toute partie de celui-ci. Des dommages ou des blessures pourraient en résulter

1. Gâchette
2. Bouton de verrouillage de la broche
3. Protège-disque
4. Poignée latérale

But de l'outil

Cette meuleuse d'angle est spécialement conçue pour le meulage.

N'utilisez pas de disques abrasifs ou de meules autres que ceux à centre incurvé.

N'utilisez pas l'outil dans des environnements humides ou en présence de liquide inflammable ou de gaz.

Cette meuleuse d'angle est un outil électrique professionnel.

Ne laissez pas les enfants approcher cet outil. Les utilisateurs inexpérimentés sont tenus d'utiliser cet outil sous surveillance.

MONTAGE



AVERTISSEMENT : Afin de réduire le danger de blessures corporelles graves, veuillez mettre l'outil hors tension et débrancher toutes les fiches avant de procéder à des réglages, de retirer ou d'installer des accessoires. Avant de réassembler l'outil, appuyez sur la gâchette et relâchez-la pour vous assurer que l'outil est déjà hors tension.

Montage et démontage du protège-disque (Fig. B)



AVERTISSEMENT Afin de réduire le danger de blessures corporelles graves, veuillez mettre l'outil hors tension et débrancher toutes les fiches avant de procéder à des réglages, ou de retirer ou d'installer des accessoires. Avant de réassembler l'outil, appuyez sur la gâchette et relâchez-la pour vous assurer que l'outil est déjà hors tension.

Montage du protège-disque

1. Placez la meuleuse d'angle sur un plan de travail en orientant les rainures vers le bas.
2. Faites passer le flasque du collier du protège-disque (3) au-dessus de la rainure du carter.
3. Faites pivoter de 150 degrés le protège-disque (3) dans le sens antihoraire.
4. Assurez-vous de serrer fermement les vis (12).

Démontage du protège-disque

1. Desserrez les vis (12) du protège-disque.
2. Retirez le protège-disque (3).



AVERTISSEMENT : N'utilisez pas l'outil lorsque le protège-disque n'est pas installé.

Montage et démontage d'une meule (Fig. C1, C2 et C3)



AVERTISSEMENT : N'utilisez pas des meules endommagées.

1. Placez l'outil sur un plan de travail, avec le protège-disque tourné vers le haut.
2. Mettez le flasque intérieur (5) correctement sur la broche (6) (fig. C1).
3. Placez le disque (7) sur le flasque (5) (fig. C2). Lorsque vous placez un disque à centre élevé, assurez-vous que le centre élevé (8) fait face au flasque (5).
4. Vissez le flasque extérieur (9) sur la broche (6) (fig. C3).
 - l'anneau du flasque (9) doit faire face au disque lorsque vous montez un disque à meuler (C3-A).
 - L'anneau du flasque (9) doit être dirigé à l'opposé du disque lorsque vous montez un disque à tronçonner (C3-B)
5. Appuyez sur le bouton de verrouillage de la broche (2) et faites pivoter la broche (6) jusqu'à ce qu'elle soit en position verrouillée (fig. C2).
6. Serrez le flasque (9) avec la clé à deux ergots fournie.
7. Relâchez le bouton de verrouillage de la broche.
8. Afin de retirer le disque, desserrez la bride (9) avec la clé à deux ergots.



AVERTISSEMENT : N'utilisez pas de disque endommagé.

Montage de la poignée latérale (Fig. D)

AVERTISSEMENT : Avant d'utiliser l'outil, vérifiez que la poignée est bien attachée à l'outil.

AVERTISSEMENT : La poignée latérale doit toujours être utilisée pour avoir un bon contrôle de l'outil à tout moment.

Vissez fermement la poignée latérale (4) dans un des trous (10) ou (11) de chaque côté du carter d'engrenage.

Préparation avant utilisation

- Attachez le protège-disque et le disque abrasif ou la meule approprié. N'utilisez pas des meules ou de disques abrasifs trop usés.
- Assurez-vous que les flasques intérieurs et extérieurs sont bien montés et serrés.
- Assurez-vous que les meules ou les disques abrasifs tournent dans le sens des flèches qui figurent sur les accessoires et l'outil.

CHUTE DE TENSION

Lors d'utilisation intensive, cela peut provoquer des baisses de tension de courte durée.

Dans des conditions d'alimentation électrique défavorables, d'autres équipements peuvent être affectés.

Si l'impédance du système d'alimentation est inférieure à 0,175 Ω, il est peu probable que des court-circuits surviennent.

UTILISATION (Fig. F)

AVERTISSEMENT : Suivez toujours les instructions de sécurité et le règlement applicable.



AVERTISSEMENT : Afin de réduire le danger de blessures corporelles graves, veuillez mettre l'outil hors tension et débrancher toutes les fiches avant de procéder à des réglages, de retirer ou d'installer des accessoires. Avant de réassembler l'outil, appuyez sur la gâchette et relâchez-la pour vous assurer que l'outil est déjà hors tension.

- Assurez-vous que tous les matériaux à meuler sont en position sécurisée.
 - Appuyez légèrement sur l'outil. N'appuyez pas latéralement sur le disque abrasif.
 - Évitez de surcharger l'outil. Si l'outil chauffe, laissez-le tourner à vide pendant quelques minutes.
1. Assurez-vous de tenir fermement l'outil avec vos deux mains (une main sur le carter, l'autre sur la poignée latérale). Démarrez l'outil et dirigez la meule sur la pièce à traiter.
 2. Gardez le rebord du disque incliné de 15 à 30 degrés sur la surface de la pièce à traiter.
 3. Lorsque vous utilisez une nouvelle meule, n'utilisez pas la meule dans la direction B, autrement, vous allez faire une entaille dans la pièce à meuler. Lorsque le rebord du disque est arrondi, vous pouvez utiliser la meuleuse dans chacune des directions A ou B.

Démarrage et arrêt (Fig. A)

AVERTISSEMENT : Avant d'utiliser l'outil, vérifiez que la poignée est bien attachée à l'outil. Vérifiez que l'interrupteur fonctionne correctement.

Avant de brancher l'outil à une alimentation électrique,

assurez-vous que l'interrupteur est dans la position « ARRÊT ».



AVERTISSEMENT : N'éteignez et n'allumez pas l'outil lorsqu'il est en condition de charge.

Position correcte des mains (Fig. G)

AVERTISSEMENT : Pour éviter tout risque de blessures corporelles graves, placez TOUJOURS vos mains comme indiqué.



AVERTISSEMENT : Afin de réduire le risque de blessure corporelle sérieuse, tenez TOUJOURS l'outil fermement de manière à anticiper une réaction soudaine.

La position correcte des mains consiste à placer une main sur la poignée latérale (fig. A), l'autre sur le corps de l'outil, comme illustré sur la figure G.

Fonction de démarrage progressif : SL227S et SL229S

La fonction de démarrage progressif permet d'accélérer progressivement la vitesse de rotation afin d'éviter une secousse initiale lors du démarrage. Cette fonction est particulièrement utile lorsque l'outil est utilisé dans un espace confiné.

Gâchette

ATTENTION : Tenez fermement le corps de l'outil afin de bien le contrôler au démarrage et pendant l'utilisation et jusqu'à ce que le disque ou les accessoires cessent de tourner. Assurez-vous que le disque est à l'arrêt complet avant de poser l'outil.

REMARQUE : Afin de réduire tout mouvement inattendu, n'allumez et n'éteignez pas l'outil lorsqu'il est en condition de charge. Laissez la meule atteindre sa vitesse maximale avant de la mettre en contact avec la surface de travail. Relevez l'outil de la surface avant de l'éteindre. Attendez que l'outil cesse de tourner avant de le poser.



AVERTISSEMENT : Avant de brancher l'outil à une alimentation électrique, assurez-vous que l'interrupteur est dans la position arrêté en appuyant sur la partie avant de l'interrupteur et en la relâchant. Assurez-vous que l'interrupteur à glissière est dans la position d'arrêt comme indiqué ci-dessus après toute interruption de l'alimentation de l'outil (due par exemple à l'enclenchement d'un disjoncteur différentiel ou d'un coupe-circuit ou encore à un débranchement accidentel ou une coupure de courant). Si l'interrupteur à glissière est verrouillé lorsque l'outil est connecté, celui-ci va démarrer soudainement.

Fonctionnalité de verrouillage sur la gâchette

Appuyez sur la gâchette (1), l'outil démarre. Continuez d'appuyer sur la gâchette, puis faites glisser la gâchette (1) vers l'avant de l'outil, ce dernier est alors verrouillé en position « Marche ». Pour arrêter l'outil, appuyez sur la gâchette (1) puis relâchez-la, l'outil s'arrête.

Explication : Avant d'entrer en contact avec la pièce de travail, assurez-vous que le disque abrasif tourne à la vitesse maximale. Avant de mettre l'outil hors tension, éloignez-le de la pièce de travail.

ATTENTION : Assurez-vous que le disque abrasif est à l'arrêt complet avant de poser l'outil.

Rotation du carter d'engrenage (Fig. E)

Le carter d'engrenage est monté sur le boîtier de l'outil et

peut pivoter afin de faciliter la découpe de pièce.

Le carter d'engrenage peut pivoter de 90 degrés, 180 degrés et 270 degrés vers la gauche ou vers la droite.

- Desserrez les quatre vis sur le carter d'engrenage.
- Faites pivoter le carter d'engrenage jusqu'à ce qu'il se trouve dans la position idéale.
- Serrez les quatre vis sur le carter d'engrenage.
- Assurez-vous de verrouiller le mécanisme de rotation.



AVERTISSEMENT : N'utilisez PAS l'outil lorsque le carter d'engrenage n'est pas verrouillé.

Utilisation sur les métaux

Lorsque vous utilisez l'outil sur des métaux, assurez-vous d'insérer un dispositif à courant différentiel résiduel (DDR) afin d'éviter des dangers causés par des copeaux de métaux.

Si le DDR coupe l'alimentation, envoyez l'outil à un centre de service après-vente autorisé STANLEY pour le faire réparer.



AVERTISSEMENT : En cas de conditions extrêmes, de la poussière conductrice et des copeaux peuvent s'accumuler dans le carter intérieur lorsque vous meulez des pièces en métal. Cela peut engendrer un danger d'électrocution car l'isolation protectrice de la meuleuse se trouve affaiblie.

Afin d'éviter une accumulation de copeaux de métaux à l'intérieur de la meuleuse, nous vous recommandons de nettoyer les conduits de ventilation quotidiennement. Voir la section Entretien.

Utilisation des meules :



AVERTISSEMENT : Le moteur s'arrêtera automatiquement pour indiquer que les balais de charbon sont pratiquement usés et que l'outil a besoin de maintenance. Les balais de charbon ne sont pas remplaçables par l'utilisateur. Amenez l'outil à un agent de réparation STANLEY autorisé.

ENTRETIEN

Votre outil STANLEY a été conçu pour fonctionner pendant une longue période avec un minimum d'entretien. Un fonctionnement continu satisfaisant de l'outil dépend d'un entretien soigneux et régulier.



AVERTISSEMENT : Afin de réduire le danger de blessures corporelles graves, veuillez mettre l'outil hors tension et débrancher toutes les fiches avant de procéder à des réglages, de retirer ou d'installer des accessoires. Avant de réassembler l'outil, appuyez sur la gâchette et relâchez-la pour vous assurer que l'outil est déjà hors tension.

Balais de charbon amovibles :

Le moteur s'arrêtera automatiquement pour indiquer que les balais de charbon sont pratiquement usés et que l'outil a besoin de maintenance. Les balais de charbon ne sont pas remplaçables par l'utilisateur. Amenez l'outil à un agent de réparation STANLEY autorisé.



Lubrification

L'outil électrique ne nécessite aucune lubrification supplémentaire.



Nettoyage



AVERTISSEMENT : Dès que vous constatez une accumulation de poussière sur les conduits de ventilation et autour de ceux-ci, soufflez immédiatement de l'air comprimé sec pour éliminer la poussière et les grains à l'intérieur du boîtier. Vous devez porter un équipement de protection oculaire et faciale lorsque vous réalisez cette action.



AVERTISSEMENT : N'utilisez jamais de solvants ou de produits chimiques corrosifs pour nettoyer les parties non métalliques de l'outil. Ces matériaux chimiques peuvent affaiblir les matériaux de ces parties. Utilisez uniquement du savon doux et un chiffon humide pour nettoyer l'outil. Ne laissez jamais couler un liquide à l'intérieur, ne plongez jamais une partie quelconque de l'outil dans l'eau.

ENTRETIEN

Votre outil STANLEY a été conçu pour fonctionner pendant une longue période avec un minimum d'entretien. Un fonctionnement continu satisfaisant de l'outil dépend d'un entretien soigneux et régulier.

- Nettoyez régulièrement les fentes d'aération de votre outil à l'aide d'une brosse douce et d'un chiffon sec.
- Nettoyez régulièrement le boîtier du moteur à l'aide d'un chiffon humide. N'utilisez pas d'agent nettoyant abrasif ou à base de solvant. Cet outil n'est pas réparable par l'utilisateur. Si des problèmes surviennent, consultez un agent de réparation agréé.



Lubrification

Votre outil électrique ne nécessite aucune lubrification supplémentaire.



Nettoyage



AVERTISSEMENT : Soufflez les saletés et la poussière qui pénètrent dans le cadre de l'outil avec de l'air sec dès que vous observez que de la saleté s'accumule à l'intérieur et autour des

prises d'air. Portez des lunettes de protection et des masques anti-poussière approuvés lors de cette procédure.



AVERTISSEMENT : N'utilisez jamais de solvants ou autres produits chimiques corrosifs pour nettoyer les parties non métalliques de l'outil. Ces matériaux chimiques peuvent affaiblir les matériaux de ces parties. Utilisez uniquement un chiffon imbibé d'eau mélangée à un savon doux. Ne laissez jamais couler un liquide à l'intérieur et ne plongez jamais une partie quelconque de l'outil dans l'eau.

Pour maintenir la SÉCURITÉ et la FIABILITÉ des produits, toute réparation, inspection et remplacement des balais de charbon, et autre entretien ou réglage doit être effectué par un centre de services après-vente de STANLEY, en utilisant toujours des pièces de rechange d'origine Stanley.

ACCESSOIRES EN OPTION



AVERTISSEMENT : Puisque les accessoires autres que ceux qui sont offerts par STANLEY n'ont pas été testés avec ce produit, l'utilisation de tels accessoires avec cet outil pourrait être dangereuse. Pour réduire le risque de blessures, seuls les accessoires recommandés par STANLEY devraient être utilisés avec ce produit.

Consultez votre revendeur pour obtenir de plus amples informations sur les accessoires appropriés.

PROTECTION DE L'ENVIRONNEMENT



Collecte séparée. Ce produit ne doit pas être jeté avec les ordures ménagères.

Si vous décidez de remplacer ce produit STANLEY, ou si vous n'en avez plus l'utilité, ne le jetez pas avec vos déchets domestiques. Mettez-le dans un point de collecte séparée approprié.



STANLEY met à votre disposition un centre de collecte et de recyclage pour les produits STANLEY ayant atteint la fin de leur durée de service. Pour profiter de ce service, veuillez retourner votre produit à un agent de réparation agréé qui se chargera de la collecte.

Vous pouvez trouver l'agent de service agréé le plus proche en contactant votre agence STANLEY locale à l'adresse indiquée dans ce manuel. Autrement, une liste d'agents de réparation agréés STANLEY et des informations complètes concernant notre service après-vente, y compris les coordonnées, sont disponibles en ligne à l'adresse suivante : www.2helpU.com.

REMARQUES

STANLEY mène une politique d'amélioration continue de ses produits et se réserve, de ce fait, le droit d'en modifier les caractéristiques sans préavis. Les accessoires ou équipements peuvent varier selon le pays. Les spécifications du produit peuvent varier selon le pays. La gamme complète du produit peut ne pas être disponible dans tous les pays. Contactez votre revendeur STANLEY local concernant la disponibilité de la gamme.

CARACTÉRISTIQUES TECHNIQUES

MEULEUSES DE GRAND ANGLE		SL207	SL209	SL227/ SL227S*	SL229/ SL229S*
Tension d'entrée	VCA.	220-240	220-240	220-240	220-240
Fréquence	Hz	50-60	50-60	50-60	50-60
Alimentation électrique	W	2000	2000	2200	2200
Vitesse à vide	min ⁻¹	8500	6500	8500	6500
Diamètre de la meule	mm	180	230	180	230
Taille de la broche		M14	M14	M14	M14
Épaisseur maximale du disque Meules	mm	6.6	6.6	6.6	6.6
Poids	kg	4.1	4.1	4.3	4.3

Le poids EPTA est le poids de l'outil nu sans protège-disque, poignée latérale, flasque et câble.

*Les modèles SL227S et SL229S sont dotés de la fonction « DÉMARRAGE PROGRESSIF »

INFORMATION CONCERNANT LE CENTRE DE SERVICE

STANLEY offre un réseau complet de centres de service agréé. Tous les centres de services STANLEY disposent d'un personnel formé afin de fournir un service efficace et de confiance aux clients concernant les outils électriques. Si vous désirez plus d'informations sur les centres de service agréés, ou si vous avez besoin d'informations techniques, de réparation ou de pièce authentique d'usine, contactez le centre STANLEY le plus proche de chez vous.

GARANTIE DE DEUX ANS

Si un produit STANLEY s'avère défectueux en raison de matériaux en mauvais état ou d'une erreur humaine dans les 24 mois suivant la date d'achat, STANLEY garantit le remplacement gratuit de toutes les pièces défectueuses ou, à votre discrétion, le remplacement gratuit de l'unité si :

- Le produit a été correctement utilisé et a été utilisé en respectant les instructions du manuel ;
- L'usure du produit est normale ;
- Aucune réparation n'a été tentée par des personnes non autorisées ;
- Une preuve d'achat est donnée ;
- Le produit STANLEY est réexpédié avec tous les composants d'origine ;
- Le produit n'a pas été loué.

Si vous souhaitez faire une réclamation, contactez votre vendeur ou vérifiez l'emplacement de l'agent de réparation agréé STANLEY le plus proche

dans votre catalogue STANLEY ou contactez votre bureau local STANLEY à l'adresse indiquée dans ce manuel. Une liste d'agents de réparation agréés STANLEY et des informations complètes concernant notre service après-vente sont disponibles en ligne à l'adresse suivante : www.2helpU.com.

للشركة وكذلك المعتمدة. لدى كل مراكز صيانة STANLEY فرق عمل مدربة لإمداد العملاء بخدمة فعالة ومعتمدة للأدوات الكهربائية. للحصول على مزيد من المعلومات حول مراكز الخدمة المعتمدة وإذا كنت بحاجة إلى المشورة الفنية أو الإصلاح أو قطع غيار أصلية من المصنع فاتصل بأقرب وكيل STANLEY لديك.

ضمان لمدة سنتين

إذا تلف منتج STANLEY الخاص بك بسبب عيب في المواد أو جودة الصنع وذلك أثناء 24 شهر من تاريخ الشراء، فإن شركة STANLEY تضمن استبدال كل الأجزاء المعيبة دون مقابل أو - وفقاً لتقديرنا - استبدال الوحدة بدون مقابل بشرط أن:

- عدم إساءة استخدام المنتج واستخدامه وفقاً لتعليمات الدليل؛
- خضوع المنتج للاستهلاك العادل؛
- عدم قيام أفراد غير معتمدين بالتصليح؛
- تم إصدار دليل شراء؛
- تم إرجاع منتج STANLEY كاملاً مع كل المحتويات الأصلية؛
- لم يتم استخدام المنتج في أغراض التأجير.

إذا رغبت في عمل شكوى، اتصل ببائعك أو تحقق من مكان أقرب وكيل إصلاح STANLEY معتمد بالقرب منك

STANLEY معتمد بالقرب منك في دليل STANLEY أو اتصل بمكتب STANLEY المحلي لديك على العنوان المبين في هذا الدليل. تتوفر قائمة بوكلاء الصيانة المعتمدين التابعين لشركة STANLEY والتفاصيل الكاملة للخدمات ما بعد البيع على الإنترنت على www.2helpU.com

راجع بائع التجزئة لديك لمزيد من المعلومات عن الملحقات المناسبة.

حماية البيئة

الجمع المنفصل. يلزم عدم التخلص من هذا المنتج مع القمامة المنزلية العادية.



إذا لزم في يوم ما استبدال منتج STANLEY الخاص بك، أو إذا لم تعد تستخدمه، فلا تتخلص منه مع القمامة المنزلية الأخرى. اجعل هذا المنتج جاهزاً لعملية جمع المخلفات وفرزها.

توفر STANLEY التسهيلات لاستلام وإعادة تصنيع منتجات STANLEY عندما تصل إلى نهاية حياتها العملية. للاستفادة من هذه الخدمة، يُرجى إعادة منتجك لوكيل الصيانة المعتمد وسوف يستلمها بالنيابة عنك.



يمكنك التعرف على موقع أقرب وكيل صيانة معتمد عبر الاتصال بمكتب STANLEY المحلي لديك على العنوان الموضح في هذا الدليل. وبدلاً من ذلك، توجد قائمة بوكلاء الصيانة المعتمدين التابعين لشركة STANLEY والتفاصيل الكاملة للخدمات ما بعد البيع ووسائل الاتصال على الإنترنت على: www.2helpU.com.

ملاحظات

تعتمد سياسة شركة STANLEY على التحسين المستمر لمنتجاتنا، ومن ثم فإننا نحفظ بحق إجراء أي تعديلات على خصائص المنتج بدون إشعار مسبق. يمكن أن تتباين التجهيزات والملحقات القياسية من بلد لآخر. ويمكن أن تتباين مواصفات المنتج من بلد لآخر. يمكن ألا تتوفر المجموعة الكاملة للمنتج في كل البلدان. اتصل بوكيل STANLEY المحلي لديك للتحقق من نطاق التوفر.

معلومات الخدمة

توفر شركة STANLEY شبكة كاملة من مراكز الصيانة المملوكة

البيانات الفنية

مجليخة الزوايا الكبيرة	SL207	SL209	*SL227S/SL227	*SL229S/SL229
جهد الدخل فولت متردد	220-240	220-240	220-240	220-240
التردد	50-60	50-60	50-60	50-60
دخل الطاقة واط	2000	2000	2200	2200
سرعة بدون تحميل دقيقة ¹	8500	6500	8500	6500
القرص ملم	180	230	180	230
مقاس محور الدوران	M14	M14	M14	M14
السمك الأقصى للقرص	6.6	6.6	6.6	6.6
أقراص الجليخ	4.1	4.1	4.3	4.3
الوزن كجم	4.1	4.1	4.3	4.3

الوزن الخاص برابطة أداة الطاقة الأوروبية (EPTA) هو وزن الأداة عارية بدون الواقي أو المقبض الجانبي أو الشفة أو الكابل

* توجد وظيفة "SOFT START" في SL227S و SL229S

الأداة.

مجاري الهواء يوميًا. ارجع إلى الصيانة.

استخدام أقراص الجليخ



تحذير: تراكم المسحوق المعدني. يمكن أن يؤدي الاستخدام المفرط لقرص الجليخ على المعدان إلى زيادة خطر التعرض لصدمة كهربائية. لتقليل هذه المخاطر فأدخل جهاز RCD قبل الاستخدام ونظف منافذ التهوية يوميًا. احرص على اتباع تعليمات الصيانة الموضحة أدناه لنفخ الهواء المضغوط الجاف في منافذ التهوية.



ملاحظة: لتقليل حركة الأداة غير المتوقعة، لا تقم بتشغيل الأداة أو إيقاف تشغيلها تحت تأثير الحمل. اسمح للمجلمخة بالعمل بسرعتها الكاملة قبل ملامسة سطح العمل. ارفع الأداة من السطح قبل إطفائها. اترك الأداة إلى أن تتوقف عن الدوران قبل إنزالها.

تحذير: قبل توصيل الأداة بمصدر الطاقة، تأكد من أن المفتاح الانزلاقي في وضع الإيقاف من خلال الضغط على الجزء الأمامي من المفتاح وتحريره. تحقق من أن المفتاح المنزلق في وضع الإيقاف كما هو موضح بالأعلى بعد حدوث أي خلل في إمداد الأداة بالطاقة، مثل تفعيل القاطع الأرضي وإسقاط قاطع الدائرة والفصل المفاجيء للتيار أو قصور في الطاقة. إذا كان قفل المفتاح المنزلق مفتوح عند التوصيل بالتيار، فسوف تعمل الأداة فجأة.

خاصية تثبيت التشغيل للمفتاح

اضغط على الزناد (1)، ستبدأ الأداة في العمل. استمر بالضغط على الزناد، ثم ازلق الزناد (1) إلى مقدمة الأداة، وسوف تُثبَّت الأداة على وضع التشغيل. لإيقاف تشغيل الأداة، اضغط على الزناد (1) ثم حرر، وستتوقف الأداة عن العمل.

التوضيح: قبل أن يتلامس قرص الجليخ مع الخامة التي تعمل عليها، تحقق أنه يعمل بالسرعة القصوى. قبل إيقاف تشغيل الأداة، ارفعها بعيدًا عن الخامة التي تعمل عليها. تحذير: تحقق أن قرص الجليخ متوقف تمامًا قبل وضع الأداة.

تدوير علبه التروس (الشكل E)

إن علبه التروس مركبة في علبه الأداة، ويمكن تدويرها لإعطاء المشغل تجربة أكثر راحة أثناء القطع. يمكن تدوير علبه التروس الدوارة بزاوية 90 درجة و180 درجة و270 درجة إلى اليسار أو إلى اليمين.

- حرر الأربع البراغي الموجودة على علبه التروس.
- أدر علبه التروس حتى تصل إلى موضعها المثالي.
- أحكم ربط الأربع براغي الموجودة على علبه التروس.
- تحقق من أن آلية الدوران مغلقة.



تحذير: بمجرد ملاحظة تراكم الغبار في منافذ التهوية ومحيطها، استخدم على الفور الهواء الجاف لنفخ الغبار والرواسب بعيدًا عن داخل العلبه. تحتاج إلى ارتداء معدات وقاية للعين وللوجه عند القيام بهذه العملية.



تحذير: لا تستخدم الأداة عندما تكون علبه التروس مفتوحة.

تحذير: لا تقم مطلقًا باستخدام المذيبات أو المواد الكيماوية القاسية لتنظيف الأجزاء غير المعدنية في الأداة. يمكن أن تضعف هذه المواد الكيماوية من خامة الأجزاء. استخدم فقط صابون خفيف وقطعة قماش مبللة لتنظيف الأداة. لا تترك أية سوائل تتسرب إلى داخل الأداة؛ لا تقم بأي من أجزاء الأداة في السائل.



التطبيق على المعدان عند استخدام الأداة على المواد المعدنية فتتحقق من إدخال جهاز التيار المتبقي (RCD) منمًا لوقوع مخاطر جراء الرقاقت المعدنية. إذا تسببت أداة التيار المتبقي (RCD) في فصل الطاقة الكهربائية، فيجب إرسال الأداة إلى وكيل STANLEY المعتمد لإصلاحها.



تحذير: في ظل ظروف العمل الشاقة، يمكن أن يتراكم الغبار الموصل والرواسب في داخل العلبه عند التعامل مع قطع العمل المعدنية. يمكن أن يتسبب ذلك في التعرض لصدمة كهربائية بالإضافة إلى إضعاف طبقة العزل الواقية في المشحذة.



لتجنب تراكم الرقاقت المعدنية في داخل المجلمخة، نوصي بتنظيف



ملحقات اختيارية

تحذير: بما أن أي ملحقات أخرى غير تلك المقدمة من قبل STANLEY لم تُختبر مع هذا المنتج، فإن استخدامها قد يكون خطرًا للغاية. وللحد من خطر الإصابة، يجب استخدام الملحقات الموصى بها من قبل STANLEY فقط مع هذا المنتج.



والقيود السارية.

تحذير: لتقليل خطر التعرض للإصابة، يرجى إيقاف تشغيل الأداة الكهربائية وفصل كل القوابس قبل القيام بضبط أو فك/تركيب أية ملحقات، قبل إعادة تجميع الأداة، اضغط وحرر زناد التشغيل لتأكد أن الأداة متوقفة بالفعل.



- تأكد أن كل المواد المراد جليخها مؤمنة في موضعها.
 - اضغط قليلاً على الأداة، لا تمارس ضغطاً جانبياً على قرص السحج.
 - تجنب فرط التحميل، إذا ما أصبحت الأداة ساخنة للغاية فاتركها تهدأ بضع دقائق بدون حمل.
 - 1. تأكد من الإمساك بالأداة بإحكام بكتلتا يديك (يد على العلبة والأخرى على المقبض الجانبي). ابدأ تشغيل الأداة وضع قرص الجليخ على قطعة العمل.
 - 2. احتفظ بحافة القرص مائلة بزاوية تتراوح من 15 إلى 30 درجة في مقابل سطح قطعة العمل.
 - 3. عند استخدام قرص جليخ جديد، فلا تقم بتشغيل القرص في الاتجاه B، وإلا فسوف تقوم بالقطع في قطعة الشغل. عند القيام بتدوير حافة العجلة فيمكنك بحرية تشغيل المجليخة إما في الاتجاه A أو B.
- البداة والإيقاف (الشكل A)**

تحذير: قبل استخدام الأداة، تحقق أن المقبض محكم بشكل آمن. تحقق من أن المفتاح يعمل بشكل عادي. قبل توصيل الآلة بمصدر الطاقة، تأكد أن المفتاح على وضع الإيقاف OFF.



تحذير: لا تقم بتشغيل أو إيقاف الأداة وهي تحت تأثير التحميل.



الوضع الصحيح لليدين (الشكل G)

تحذير: لتقليل مخاطر الإصابة الشخصية، استخدم دائماً الوضع الصحيح لليدين كما هو موضح.



تحذير: لتقليل مخاطر الإصابة الجسدية، احرص دائماً على الوقوف بأمان تحسباً لأي ارتداد مفاجئ.



يتطلب الوضع اليدوي المناسب أن تكون هناك يد على المقبض الجانبي (الشكل A)، واليد الأخرى على جسم الأداة، كما هو موضح في الشكل G.

خاصية البداة الناعم: SL227S و SL229S

تتيح خاصية البداة الناعم تراكم السرعة البطيئة لتجنب حدوث ارتجاج أولي عند بدء التشغيل تعد هذه الخاصية مفيدة خاصة عند العمل في الفراغات الضيقة.

المفاتيح

تحذير: أمسك هيكل الأداة بحزم للمحافظة على التحكم في الأداة عند بدء التشغيل وأثناء الاستخدام وحتى يتوقف القرص أو الملحق عن الدوران. تحقق من أن القرص قد توقفت تماماً قبل إنزال

تحذير: لا تشغيل الأداة عندما لا يكون واقى السلامة في موضعه.



تركيب وإزالة قرص الجليخ (الشكل C1 و C2 و C3) تحذير: لا تستخدم أقراص الجليخ التالفة.

1. ركب الأداة على طاولة عمل، والواقى مواجهاً لأعلى.
2. ركب الشفاه الداخلية (5) بشكل صحيح في محور الدوران (6) (الشكل C1).
3. ركب القرص (7) على الشفة (5) (الشكل C2). عند تركيب أي قرص مرتفع المحور، تحقق من أن المحور المرتفع (8) مواجهاً للشفة (5).
4. ثبت الشفة الخارجية (9) على محور الدوران (6) (الشكل C3).
- يجب أن تواجه الحلقة الموجودة على الشفة (9) القرص عند تركيب قرص الجليخ (C3-A)
- يجب أن تتخالف الحلقة الموجودة على الشفة (9) القرص عند تركيب قرص القطع (C3-B)
5. اضغط على قفل محور الدوران (2) وقم بتدوير محور الدوران (6) إلى أن يُغلق في موضعه (الشكل C2).
6. أحكم ربط الشفة (9) باستخدام مفتاح الربط الإسطواني المزدوج المدرج.
7. حرر قفل محور الدوران.
8. لإزالة القرص، أرخي الشفة (9) باستخدام مفتاح الربط الإسطواني المزدوج المدرج.

تحذير: لا تستخدم أقراص متضررة.



تركيب المقبض الجانبي (الشكل D)

تحذير: قبل استخدام الأداة، تحقق أن المقبض محكم بشكل آمن.



تحذير: يجب استخدام المقبض الجانبي دائماً لإبقاء التحكم في الأداة طوال الوقت.



ثبت المقبض الجانبي (4) بإحكام في واحدة من الفتحات (10) أو (11) الموجودة على جانبي علبة التروس.

التحضير قبل الاستخدام

- ركب واقى سلامة وأقراص سحج أو جليخ مناسبة. لا تستخدم أقراص سحج أو جليخ متآكلة تماماً.
- تأكد أن الشفاه الداخلية والخارجية موصلة بشكل صحيح.
- تأكد أن أقراص السحج أو الجليخ تدور في اتجاه الأسهم الموضحة على الملحقات والأداة.

نخفاض الجهد

في تيارات الاندفاع يسبب انخفاض الجهد لفترة قصيرة. تحت ظروف إمدادات الطاقة غير الموازية، قد تتأثر معدات أخرى. إذا كانت مقاومة النظام لمصدر الطاقة أقل من 0.175Ω، فمن غير المحتمل حدوث اضطرابات.

الاستخدام (الشكل F)

تحذير: احرص دائماً على مراعاة تعليمات السلامة



تحقق من أي تلف قد يحدث في الأداة أو أجزائها أو الملحقات أثناء النقل.

استغرق الوقت الكافي لقراءة وفهم هذا الدليل بالكامل قبل الاستخدام.

الخصائص (الشكل أ)

تحذير: يحظر تعديل الأداة الكهربائية أو أي جزء منها. فقد تتعرض الأداة للتلف أو تتسبب في وقوع إصابة جسدية.



1. المفتاح
2. قفل محور الدوران
3. الدرع
4. المقبض الجانبي

الغرض من التصميم

صُممت مجلخة الزاوية خصيصًا لأعمال الجليخ.

لا تستخدم أقراص ورق الصنفرة وأقراص الجليخ بخلاف تلك التي تكون مغطاة المحور.

لا تستخدم الأداة في ظروف أو بيئات رطبة مع وجود سوائل أو غازات قابلة للاشتعال.

تُعتبر مجلخة الزاوية هذه أداة كهربائية احترافية.

لا تسمح للأطفال بملامسة هذه الأداة. يجب على المشغلين من غير ذوي الخبرة استخدام هذه الأداة تحت إشراف.

التجميع

تحذير: لتقليل خطر التعرض للإصابة، يرجى إيقاف تشغيل الأداة الكهربائية وفصل كل القوابس قبل القيام بضبط أو فك/تركيب أية ملحقات. قبل إعادة تجميع الأداة، اضغط وحرر زناد التشغيل للتأكد أن الأداة متوقفة بالفعل.



تركيب وإزالة واقي القرص (الشكل B)

تحذير: لتقليل خطر التعرض للإصابة، يرجى إيقاف تشغيل الأداة الكهربائية وفصل كل القوابس قبل القيام بضبط أو فك/تركيب أية ملحقات. قبل إعادة تجميع الأداة، اضغط وحرر زناد التشغيل للتأكد أن الأداة متوقفة بالفعل.



تركيب الواقي

1. ركب مجلخة الزاوية على طاولة عمل، على أن يكون الحز يتجه لأعلى.
2. ركب شفة طوق الواقي (3) أعلى الحز الخاص بعلبة التروس.
3. أدر الواقي (3) عكس اتجاه عقارب الساعة بمقدار 150 درجة.
4. تحقق من أن البراغي (12) محكمة الربط.

إزالة الواقي

1. حرر البراغي (12) الموجودة على طوق الواقي.
2. اسحب الواقي (3).

-	25	20	20	20	20	12.1 - 20.0	
---	----	----	----	----	----	-------------	--

الملصقات الموجودة على الأداة

يمكن أن يحتوي الملصق الموجود على الأداة على الرموز التالية:

	يجب قراءة دليل التعليمات قبل الاستخدام. تحذير! لتقليل خطر الإصابة، يجب على المستخدم قراءة دليل التعليمات قبل الاستخدام		
	نظارات حماية أو أمان.		
	واقي الأذن.		
	ارتدِ قناع غبار.		
V	فولت	===	تيار مباشر
A	أمبير	n ₀	سرعة بدون تحميل
Hz	هرتز		تصميم من الفئة الثانية
W	وات		طرف أرضي
min	دقائق		رمز تبيه الأمان
~	تيار متردد	/min.	عدد الدورات أو الترددات في الدقيقة

موضع رمز التاريخ

يوجد كود التاريخ، والذي يحتوي على سنة الصنع، مطبوعًا على العلبة.

مثال:

XX JN 2017

سنة الصنع

تحتوي العلبة على

- 1 مجلخة زاوية
- 1 واقي
- 1 مقبض جانبي
- 1 مجموعة شفاه
- 1 مفتاح ربط إسطواني مزدوج
- 1 دليل تعليمات

للطول 30 م. عند استخدام بكرة كابل، أبسط الكابل بالكامل.

التيار المقتن للكابل (أمبير)	مساحة المقطع العرضي للكابل (مم ²)
0.75	6
1.00	10
1.50	15
2.50	20
4.00	25

طول الكابل (م)					
60	45	30	25	15	7.5

تيار الكابل المقتن (بالأمبير)						أمبير	الجهد الكهربائي
10	6	6	6	6	6	0 - 2.0	110-127
15	15	6	6	6	6	2.1 - 3.4	
20	20	15	10	6	6	3.5 - 5.0	
25	20	20	15	10	10	5.1 - 7.0	
-	25	25	20	15	15	7.1 - 12.0	
-	-	-	25	20	20	12.1 - 20.0	
6	6	6	6	6	6	0 - 2.0	220-240
6	6	6	6	6	6	2.1 - 3.4	
15	10	6	6	6	6	3.5 - 5.0	
15	15	10	10	10	10	5.1 - 7.0	
20	20	15	15	15	15	7.1 - 12.0	

المخصصة للاستخدام مع الأدوات الكهربائية الأكبر ليست مناسبة للعمل مع سرعات أعلى لأداة أصغر ويمكن أن تنشق.

تعليمات الأمان الإضافية

• لم تُصمم هذه الأداة للاستخدام مع الأقراص السلكية أو فرشاة سلكية.

تحذير: نحن ننصح باستخدام أداة تعمل بالتيار المتبقي مع معدل التيار المتبقي لـ 30 مللي أمبير أو أقل.



سلامة الآخرين

• هذا الجهاز غير مصمم ليستخدمه الأشخاص ذوو القدرات الجسدية والحسية والعقلية المتدنية أو من تنقصهم الخبرة والمعرفة (بما في ذلك الأطفال) إلا في ظل الإشراف عليهم أو إعطائهم التعليمات المتعلقة باستخدام الجهاز من قبل الشخص المسؤول عن سلامتهم.

• ينبغي مراقبة الأطفال لضمان عدم عبثهم بالجهاز.

المخاطر المتبقية

على الرغم من سريان تعليمات السلامة وتطبيق تجهيزات السلامة فهناك بعض المخاطر الأخرى التي لا يمكن تجنب وقوعها. وهي:

- تضرر السمع
- خطر التعرض لإصابات جسدية جراء الجزئيات المتطايرة.
- خطر التعرض لحروق جراء الملمحات التي تسخن أثناء التشغيل.
- خطر التعرض لإصابات جسدية جراء الاستخدام لفترات طويلة.
- خطر التعرض لغاز المواد الخطرة.

السلامة من مخاطر الكهرباء

الأداة الخاصة بك مزدوجة العزل؛ وبالتالي لا حاجة إلى توصيل سلك أرضي. تحقق دائماً من توافق جهد مصدر التيار الكهربائي مع الجهد الموضح على لوحة التقنين.



تحذير! في حالة تلف سلك الطاقة، يجب استبداله من قبل مُصنِع الجهاز، أو مركز خدمة معتمد لدى شركة STANLEY، أو أي فني مؤهل على نفس المستوى لتجنب أي تلف أو إصابة. في حالة استبدال سلك الطاقة بواسطة فني مؤهل على نفس المستوى، ولكنه غير معتمد لدى شركة STANLEY، فسوف تسقط صلاحية الضمان.



استخدام سلك إطالة

إذا احتجت إلى سلك تمديد، فاستخدم سلك تمديد ثلاثي القلوب معتمداً يتناسب مع دخل الطاقة لهذه الأداة (راجع البيانات الفنية). الحد الأدنى لحجم الموصل 1.5 ملم²; والحد الأقصى

- i. احرص على إبعاد المتواجدين في منطقة العمل بمسافة آمان كافية. يجب على أي شخص يدخل منطقة العمل ارتداء معدات الحماية الشخصية. يمكن أن تتطاير شظايا من قطع العمل أو من الملحق المكسور وتتسبب في إلحاق إصابات خارج نطاق منطقة التشغيل.
- j. احرص على حمل الأداة الكهربائية فقط باستخدام أسطح إمساك معزولة عند تنفيذ عملية يمكن أن يتلامس فيها ملحق التقطيع مع الأسلاك المخفية أو سلك الأداة. يمكن أن يتسبب ملحق التقطيع عند الاتصال بسلك "حي" إلى جعل الأجزاء المعدنية المكشوفة للأداة "طرف حي" مما قد يؤدي إلى تعرض المشغل لصدمة كهربائية.
- k. ضع السلك بحيث يكون خائباً من الملحقات الدوارة. إذا فقدت توازنك، فيمكن أن يتعرض السلك للقطع أو للتمزق، ويمكن أن تُسحب يدك أو ذراعك إلى داخل الملحق الدوار. لا تقم مطلقاً بإنزال الأداة الكهربائية حتى تتوقف تماماً عن الحركة. يمكن أن يتعلق الملحق الدوار بالسطح ويُخرج الأداة الكهربائية عن تحكّمك.
- m. لا تقم بتشغيل الأداة الكهربائية أثناء حملها على جانبك. يمكن أن يؤدي التلامس المفاجئ مع الملحق الدوار أن إلى التشابك وملابسك وسحب الملحق تجاه جسمك.
- n. نظف فتحات توية الأداة الكهربائية بانتظام. سوف تقوم مروحة المحرك بإدخال الغبار إلى المبيت، وقد يسبب التراكم الزائد للغبار المعدني وقوع مخاطر كهربائية.
- o. لا تشغل الأداة الكهربائية بالقرب من مواد قابلة للاشتعال. حيث يمكن أن يشعل الشرر هذه المواد.
- p. لا تستخدم الملحقات التي تتطلب مواد تبريد سائلة. قد يتسبب استخدام الماء أو أية سوائل تبريد أخرى في التعرض لصدمة كهربائية أو الصعق.
- تعليمات أمان إضافية لكل العمليات**
- الارتداد والتحذيرات المتعلقة به**
- يُقصد بالارتداد هو رد الفعل المفاجئ للقرص الدوار المضغوط أو العالق أو وسادة التدعيم أو الفرشاة أو أية ملحقات أخرى. يتسبب الضغط أو العلوق في التوقف السريع للملحق الدوار والذي بدوره يتسبب في إجبار الأداة الكهربائية غير المتحكم فيها على التحرك في الاتجاه المضاد لاتجاه دوران الملحق عند نقطة الإعاقة.
- على سبيل المثال، إذا علق أو انضغط قرص الجليخ في قطعة الشغل، فإن حافة القرص الداخلة في نقطة الضغط قد تدخل في سطح المادة مما قد يسبب انثناء القرص أو اعوجاجه. قد يقفز القرص للأمام أو بعيداً عن المشغل، بحسب اتجاه حركة القرص في نقطة الضغط. قد تنكسر أيضاً أقراص الجليخ تحت تأثير هذه الظروف.
- يحدث الارتداد نتيجة لسوء استخدام الأداة و/أو طريقة أو ظروف التشغيل غير الصحيحة، ويمكن تجنب ذلك من خلال
- اتخاذ الاحتياطات المناسبة، مثل:
- a. أحكم قبضتك على الأداة الكهربائية وثبت جسمك وذراعك في وضع يسمح لك بمقاومة قوى الارتداد. احرص دائماً على استخدام مقبض إضافي، إن وجد، للتحكم الأقصى في الارتداد أو رد فعل عزم الدوران أثناء بدء التشغيل. يمكن للمشغل التحكم في رد فعل عزم الدوران أو قوى الارتداد، إذا تم اتخاذ الاحتياطات المناسبة.
- b. لا تضع يدك مطلقاً بالقرب من قطعة الملحقات الدوارة. حيث قد ترتد قطعة الملحقات تجاه يدك.
- c. لا تضع جسمك في المنطقة التي سوف تتجه إليها الأداة الكهربائية في حالة حدوث الارتداد. سوف يدفع الارتداد الأداة في الاتجاه المضاد لحركة القرص عند نقطة العلوق. يجب توخي العناية اللازمة عند العمل في الزوايا أو الحواف الحادة وما إلى ذلك. تجنب انزلاق أو علوق الملحق. قد تسبب الزوايا أو الحواف الحادة أو الانزلاق علوق قطعة الملحقات الدوارة؛ ما يؤدي إلى فقدان السيطرة أو الارتداد.
- e. لا توصل شفرة حفر الخشب بجنزير المنشار أو شفرة المنشار المسنن. قد تتسبب مثل هذه الشفرات في عمل ارتداد متكرر وفقدان القدرة على التحكم.
- تحذيرات السلامة الخاصة لعمليات الجليخ**
- a. استخدم فقط أنواع الأقراص الموصى بها للأداة الكهربائية الخاصة بك وغطاء الوقاية المصمم خصيصاً للقرص المختار. لا يمكن الحفاظ على الأقراص التي لم تُصمم للاستخدام مع الأداة الكهربائية على نحو كاف وتعتبر غير آمنة.
- b. يجب تثبيت سطح تجليخ مركز الأقراص المنخفضة أسفل سطح الدرع الواقى. لا يمكن حماية القرص المركب بطريقة خاطئة الذي ينتأ من خلال سطح حافة الدرع كما ينبغي.
- c. ينبغي تركيب الواقى بدقة على الأداة الكهربائية ووضعه بأقصى قدر من الأمان، بحيث يكون أقل جزء من العجلة مكشوفاً بالنسبة للمشغل. يساعد الواقى على حماية المشغل من شظايا القرص المكسور والتلامس العرضي مع القرص والشرر المتولد الذي يمكنه إشعال الملابس.
- d. يجب استخدام الأقراص فقط للتطبيقات الموصى بها. على سبيل المثال: لا تقم بالحفر بجانب قرص القطع. أقراص القطع الجالخة مخصصة لأعمال الجليخ الطرقي، وتطبيق أي قوة جانبية على هذه الأقراص يمكن أن يتسبب في تحطيمها.
- e. استخدم دائماً شفاة الأقراص غير التالفة التي لها الحجم والشكل المناسب للقرص المختار. تقوم شفاة القرص المناسبة بتدعيم القرص، ومن ثم تقلل احتمالية كسر القرص. من الممكن أن تكون شفاة أقراص القطع مختلفة عن شفاة أقراص الجليخ.
- f. لا تستخدم الأقراص المتآكلة من أدوات أكبر. الأقراص

- بالبغة.
- b. لا يوصى بتنفيذ عمليات مثل التلميع والقطع وتنظيف السلك باستخدام هذه الأداة الكهربائية. إن استخدام الأداة الكهربائية في العمليات التي لم تُصمم لتنفيذها يمكن أن يتسبب في وقوع مخاطر وإصابات شخصية بالبغة.
- c. لا تُستخدم الملحقات التي لم تُصمم خصيصاً للأداة والتي توصي بها الجهة المصنعة للأداة. لأن الملحقات التي يمكن توصيلها بالأداة الكهربائية الخاصة بك، لا تضمن تشغيلاً آمناً.
- d. يجب أن تكون السرعة الممننة للملحقات على الأقل مساوية للسرعة القصوى الموضحة على الأداة الكهربائية. الملحقات التي تعمل بمعدل أسرع من سرعتها المقررة يمكن أن تنكسر ويتطاير.
- e. القطر الخارجي وسمك الملحق الخاص بك يجب أن يكون في إطار تصنيف قدرة الأداة الكهربائية الخاصة بك. لا يمكن حماية الملحقات ذات المقاس الخطأ أو التحكم فيها بشكل مناسب.
- f. يجب أن يتوافق التركيب المسنن للملحقات مع سن عمود دوران المجلخة. بالنسبة للملحقات التي تُركب بالشفاه، فيجب أن يكون ثقب محور قطعة الملحقات متوافقاً مع القطر المحدد للشفة. الملحقات غير المتوافقة مع الأجزاء المركبة للأداة الكهربائية سوف تفقد توازنها وتهتز بشدة ويمكن أن تتسبب في فقدان التحكم.
- g. لا تُستخدم ملحقات تالفة. قبل كل استخدام افحص الملحق مثل قرص الجليخ بحثاً عن الجذاذات والشقوق. إذا سقطت الأداة الكهربائية أو الملحق، فتتحقق من وجود أي تلف أو قم بتركيب ملحق غير تالف. بعد الانتهاء من فحص وتركيب قطعة ملحقة، احرص على أن تكون أنت والمراقبين بعيدين عن نطاق القطعة الملحقة الدوارة وقم بتشغيل الأداة الكهربائية على أقصى سرعة بدون حمل لمدة دقيقة. توقف على الفور في حال اكتشاف أي اهتزاز كبير أو أي عيوب أخرى. في هذه الحالة، افحص الآلة لتحديد السبب. احفظ دائماً قرص الجليخ بأمان وفي أماكن آمنة بعيداً عن متناول الأطفال. سوف تنكسر الملحقات التالفة في المعتاد أثناء فترة الاختبار هذه.
- h. ارتد معدات الحماية الشخصية. حسب التطبيق، استخدم واقي الوجه أو نظارات الوقاية أو نظارات الأمان. حسب الحاجة، ارتد قناع الأتربة وواقيات الأذن والقفازات ومثزر العمل والتي تحمي من الكواشط وشظايا العمل الصغيرة. يجب أن يكون واقي العينين قادراً على منع البقايا المتطايرة المتولدة من العمليات المختلفة. يجب أن يكون قناع الغبار أو الكمامة لديها القدرة على تنقية الجزيئات المتولدة من العملية. يمكن أن يتسبب التعرض المطول لضجيج شديد الكثافة في فقدان السمع.
- المناسبة لاستعمالك. حيث أن الأداة الكهربائية المناسبة سوف تقوم بأداء العمل بشكل أفضل وأكثر أماناً وفقاً للمعدل التي صُممت لأجله.
- b. لا تستخدم الأداة الكهربائية إذا لم يتم المفتاح بالتشغيل والإيقاف. أية أداة كهربائية لا يمكن التحكم فيها باستخدام المفتاح تصبح خطرة ويجب إصلاحها.
- c. افصل القابس عن مصدر الكهرباء و/أو أخرج حزمة البطارية، إن كانت قابلة للإزالة، من الأداة الكهربائية قبل إجراء أي تعديلات أو تغيير أي ملحقات أو تخزين الأدوات الكهربائية. تعمل إجراءات السلامة الوقائية هذه على الحد من خطر بدء تشغيل الأداة الكهربائية بدون قصد.
- d. خزن الأدوات الكهربائية غير المستخدمة بعيداً عن متناول الأطفال ولا تسمح للأشخاص الغير معتمدين على الأداة الكهربائية أو هذه التعليمات بتشغيل الأداة الكهربائية. تمثل الأدوات الكهربائية خطراً في أيدي المستخدمين غير المتدربين.
- e. هد صيانة الأدوات الكهربائية والملحقات. تحقق من وجود أي محاذرة خاطئة أو عائق في الأجزاء المتحركة، أو كسر في الأجزاء، وأية حالة أخرى يمكن أن تؤثر على تشغيل الأدوات الكهربائية. في حالة تلفها، يتم اصلاح الأداة الكهربائية قبل استخدامها. تقع العديد من الحوادث جراء صيانة الأدوات الكهربائية بشكل سيء.
- f. احرص على أن تظل أدوات القطع حادة ونظيفة. تعمل الصيانة المناسبة لأدوات القطع ذات الحواف الحادة على تقليل احتمالية أن تتلثم ويمكن التحكم فيها بشكل أسهل.
- g. استخدم الأداة الكهربائية والكماليات ولقم الأداة وما إلى ذلك بما يتوافق مع هذه التعليمات، مع الوضع في الاعتبار ظروف العمل والعمل الذي يتعين القيام به. استخدام الأداة الكهربائية لتنفيذ العمليات في الأغراض غير المخصصة يمكن أن يتسبب في التعرض لمواقف خطرة.
- h. حافظ على جفاف المقابض والأسطح القابضة ونظافتها وخلوها من الزيت والشحم. فالمقابض والأسطح القابضة المنزقة لا تسمح بالتعامل مع الأداة والتحكم فيها بأمان في المواقف غير المتوقعة.
5. الخدمة
- a. احرص على أن يقوم فني متخصص بإصلاح الأداة الكهربائية الخاصة بك وباستخدام قطع الغيار المتطابقة فقط. وذلك يضمن سلامة صيانة الأداة الكهربائية.

تعليمات السلامة لكل العمليات

تحذيرات الأمان الشائعة الخاصة بالجليخ

- a. هذه الأداة الكهربائية مخصصة للعمل كمجلخة. اقرأ كل تحذيرات السلامة والتعليمات والرسوم التوضيحية والمواصفات المرفقة مع الأداة الكهربائية. أي قصور في اتباع تعليمات السلامة الموضحة أدناه يمكن أن يتسبب في حدوث صدمة كهربائية و/أو نشوب حريق و/أو التعرض لإصابات

الغرض من الاستخدام

الزاوية الكبيرة STANLEY الخاصة بك طرز SL207.ST- SL207, SL209, SL227/SL227S, SL229/SL229S لبلج المعادن باستخدام نوع قرص الجليخ المناسب. هذه الأداة مخصصة للاستخدام الاحترافي.

تعليمات السلامة

تحذيرات عامة متعلقة بسلامة أداة الطاقة الكهربائية

تحذيراً! احرص على قراءة كل تحذيرات السلامة والتعليمات والرسوم التوضيحية ذات الصلة والمواصفات المرفقة مع هـ.



احتفظ بكل التحذيرات والتعليمات كمرجع مستقبلي

يشير مصطلح «الأداة الكهربائية» الوارد في التحذيرات إلى الأداة الكهربائية المشغلة عن طريق التيار الكهربائي (بكابل) أو بطارية (بدون كابل).

1. سلامة منطقة العمل

a. حافظ على منطقة العمل نظيفة ومضاءة جيداً. فالمناطق غير المرتبة أو المظلمة عرضة لوقوع حوادث.

b. لا تشغل الأدوات الكهربائية في أجواء قابلة للانفجار، مثل

وجود سوائل أو غازات أو غبار قابلة للاشتعال. تطلق

الأدوات الكهربائية شرراً يمكن أن يشعل الغبار أو الأبخرة.

c. احرص على إبعاد الأطفال والمتواجدين في منطقة العمل عند تشغيل الأداة الكهربائية. مصادر صرف الانتباه يمكن أن تجعلك تفقد القدرة على التحكم.

2. السلامة من مخاطر الكهرباء

a. يلزم توافق قوابس الأداة الكهربائية مع مقبس التيار الكهربائي. يُحظر تعديل القابس بأي طريقة. لا تستخدم قوابس مهايئ مع الأدوات الكهربائية المتصلة بالأرضي (مؤرضة). عدم تعديل القابس واستخدام مخارج تيار مناسبة يحد من مخاطر الصدمات الكهربائية.

b. تجنب ملامسة الجسم مع أسطح مؤرضة أو أرضية، مثل المواسير والمدافئ والأفران والمبردات. يزداد خطر التعرض لصدمة كهربائية إذا كان جسمك في وضع تأريض أو أرضي.

c. لا تعرض الأدوات الكهربائية للمطر أو لظروف رطبة. سوف يؤدي تسرب الماء إلى داخل الأداة الكهربائية إلى زيادة مخاطر التعرض للصدمة الكهربائية.

d. لا تسن استخدام السلك. لا تستخدم السلك مطلقاً في حمل أو سحب الأداة الكهربائية أو فصلها من المقبس. ابق السلك بعيداً عن الحرارة والزيت والحواف الحادة والأجزاء المتحركة. تزيد الأسلاك التالفة أو المتشابكة من مخاطر التعرض للصدمة الكهربائية.

e. عند تشغيل الأداة الكهربائية في الخارج، استخدم سلك إطالة مناسباً للاستخدام الخارجي. استخدم سلك مناسب لأغراض الاستخدام الخارجي يقلل من مخاطر التعرض

للصدمة الكهربائية.

f. إذا لم يكن هناك مفر من تشغيل الأداة الكهربائية في منطقة رطبة، فاستخدم شبكة تغذية محمية بقاطع تفاضلي (RCD). استخدام قاطع الدائرة يقلل من مخاطر التعرض للصدمة الكهربائية.

3. السلامة الشخصية

a. كن متيقظاً، وراقب ما تفعل واستخدم حسك العام عند تشغيل الأداة الكهربائية. لا تستخدم الأداة الكهربائية عندما تكون مجهداً أو تحت تأثير المخدرات أو الكحوليات أو الأدوية. في حالة عدم الانتباه عند تشغيل الأداة الكهربائية يمكن أن تتسبب في وقوع إصابات شخصية بالغة.

b. استخدم معدات الحماية الشخصية. احرص دائماً على ارتداء واقعي العينين. سوف تعمل معدات الحماية، مثل قناع الغبار وأحذية السلامة المقاومة للانزلاق والخوذة الصلبة وواقعي الأذن المستخدمة في ظروف مناسبة على تقليل معدل الإصابات الشخصية.

c. تجنب بدء العمل بدون قصد. تحقق من أن المفتاح في وضع الإيقاف قبل التوصيل بمصدر الكهرباء وأو علة البطارية أو قبل التقاط أو حمل الأداة. إن حمل الأدوات الكهربائية وإصبعك على مفتاح التشغيل أو بينما توجد الأدوات في وضع التشغيل من شأنه أن يستدعي وقوع حوادث.

d. تخلص من أية مفاتيح ضبط أو ربط قبل تشغيل الأداة الكهربائية. يمكن أن يتسبب أي مفتاح ربط أو ضبط موصل بالجزء الدوار من الأداة الكهربائية في وقوع إصابات شخصية.

e. تجنب المبالغة. ضع قدميك في وضع مناسب واحتفظ باتزانك في كل الأوقات. حيث يتيح ذلك إمكانية تحكم أفضل في الأداة الكهربائية في المواقف غير المتوقعة.

f. ارتد زياً مناسباً. لا ترتد الملابس الفضفاضة أو الحلي. احرص على إبعاد شعرك وملابسك عن الأجزاء المتحركة. فقد تعلق الملابس الفضفاضة أو الحلي أو الشعر الطويل في الأجزاء المتحركة.

g. إذا كانت الأجهزة معدة للتوصيل بوسائل إزالة أو تجميع الأتربة، فتأكد من توصيلها واستخدامها بشكل مناسب. استخدام هذه الأجهزة يمكن أن يقلل من المخاطر المتعلقة بالغبار.

h. لا تسمح لاعتيادك على استخدام الأدوات بشكل متكرر أن يبعث داخلك اطمئناناً قد يدفعك إلى تجاهل مبادئ سلامة الخاصة بالأداة. فأني تصرف طائش يمكن أن يتسبب في وقوع إصابات خطيرة في لمح البصر.

4. استخدام الأداة الكهربائية والعناية بها

a. لا تضغط على الأداة الكهربائية. استخدم الأداة الكهربائية

