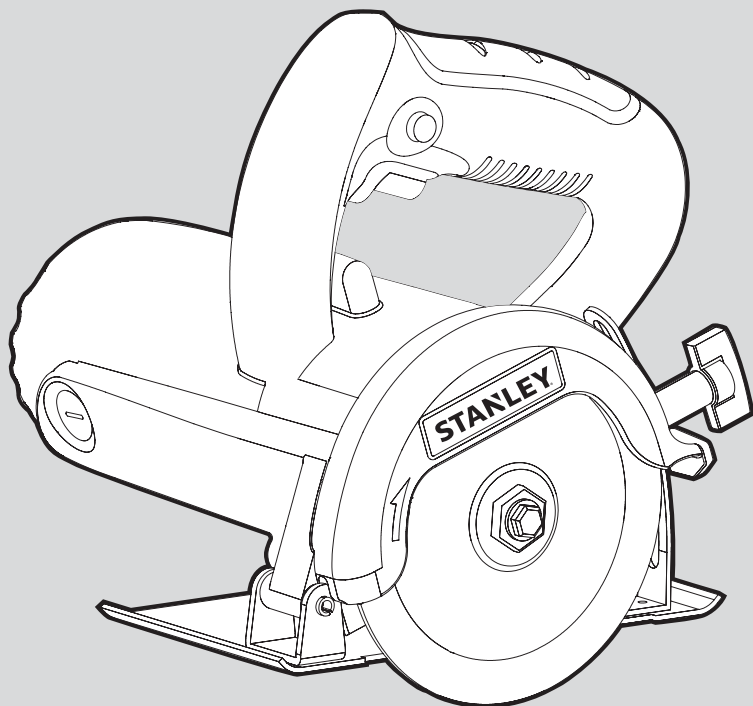


# STANLEY



**STSP125**

English	Page 3
Russian	Page 12
Ukrainian	Page 22
French	Page 32
Portuguese	Page 41
Arabic	Page 54

FIG. A

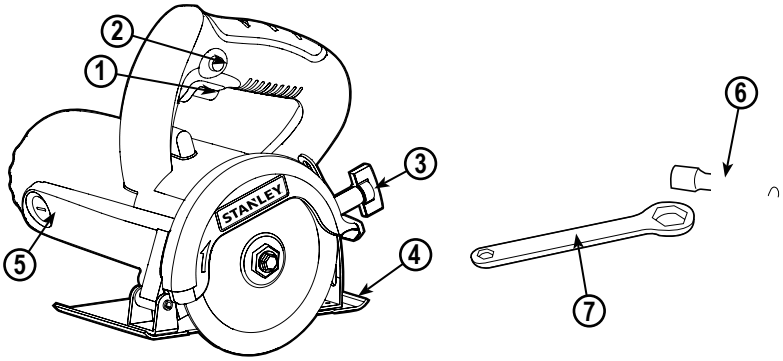


FIG. B

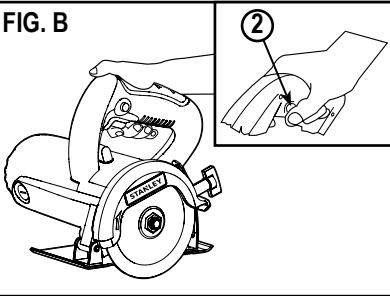


FIG. C

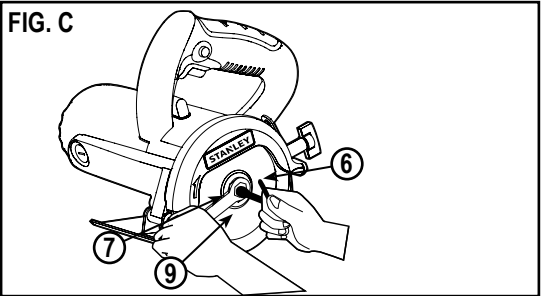


FIG. D

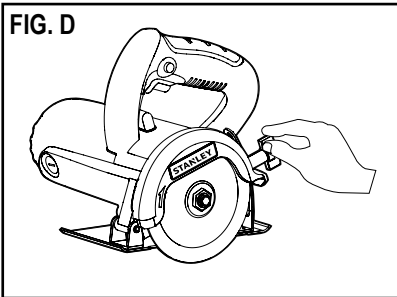


FIG. E

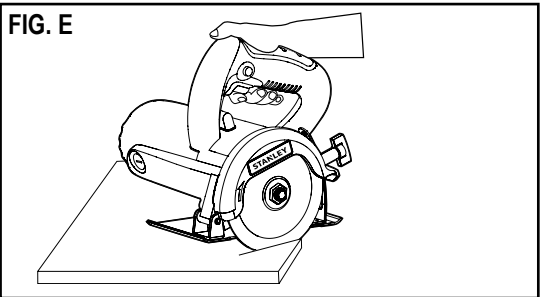
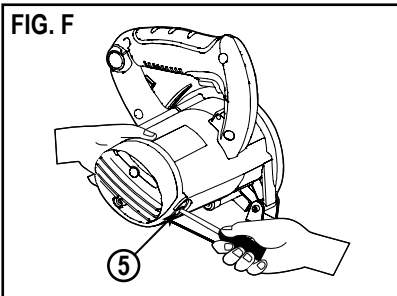


FIG. F



**DO NOT RETURN THIS PRODUCT TO THE STORE,**  
first contact your local STANLEY Office  
or nearest authorized service center.

## General Safety Rules



**Warning!** Read and understand all instructions. Failure to follow all instructions listed below, may result in electric shock, fire and/or serious personal injury.

## Save These Instructions

### Safety Instructions

#### General power tool safety warnings.



**Warning!** Read all safety warnings and all instructions. Failure to follow the warnings and instructions listed below may result in electric shock, fire and/or serious injury.

#### Save all warnings and instructions for future reference.

The term "power tool" in all of the warnings listed below refers to your mains operated (corded) power tool or battery operated (cordless) power tool.

#### 1. Work Area Safety

- a. **Keep work area clean and well lit.** Cluttered and dark areas invite accidents.
- b. **Do not operate power tools in explosive atmospheres, such as in the presence of flammable liquids, gases or dust.** Power tools create sparks which may ignite the dust or fumes.
- c. **Keep children and bystanders away while operating a power tool.** Distractions can cause you to lose control.

#### 2. Electrical Safety

- a. **Power tool plugs must match the outlet. Never modify the plug in any way. Do not use any adapter plugs with earthed (grounded) power tools.** Unmodified plugs and matching outlets will reduce risk of electric shock.
- b. **Avoid body contact with earthed or grounded surfaces such as pipes, radiators, ranges and refrigerators.** There is an increased risk of electric shock if your body is earthed or grounded.
- c. **Do not expose power tools to rain or wet conditions.** Water entering a power tool will increase the risk of electric shock.

- d. **Do not abuse the cord. Never use the cord for carrying, pulling or unplugging the power tool. Keep cord away from heat, oil, sharp edges or moving parts.** Damaged or entangled cords increase the risk of electric shock.
- e. **When operating a power tool outdoors, use an extension cord suitable for outdoor use.** Use of a cord suitable for outdoor use reduces the risk of electric shock.
- f. **If operating a power tool in a damp location is unavoidable, use a residual current device (RCD) protected supply.** Use of an RCD reduces the risk of electric shock.

**Note:** The term "Residual Current Device (RCD)" can be replaced by "Ground Fault Circuit Interrupter (GFCI)" or by "Earth Leakage Circuit Breaker (ELCB)".

#### 3. Personal Safety

- a. **Stay alert, watch what you are doing and use common sense when operating a power tool. Do not use a power tool while you are tired or under the influence of drugs, alcohol or medication.** A moment of inattention while operating power tools may result in serious personal injury.
- b. **Use personal protective equipment. Always wear eye protection.** Protective equipment such as dust mask, non-skid safety shoes, hard hat, or hearing protection used for appropriate conditions will reduce personal injuries.
- c. **Prevent unintentional starting. Ensure the switch is in the off-position before connecting to power source and/or battery pack, picking up or carrying the tool.** Carrying power tools with your finger on the switch or energising power tools that have the switch on invites accidents.
- d. **Remove any adjusting key or wrench before turning the power tool on.** A wrench or a key left attached to a rotating part of the power tool may result in personal injury.
- e. **Do not overreach. Keep proper footing and balance at all times.** This enables better control of the power tool in unexpected situations.
- f. **Dress properly. Do not wear loose clothing or jewellery. Keep your hair, clothing and gloves away from moving parts.** Loose clothes, jewellery or long hair can be caught in moving parts.
- g. **If devices are provided for the connection of dust extraction and collection facilities, ensure these are connected and properly used.** Use of these devices can reduce dust related hazards.

#### 4. Power Tool Use and Care

- a. **Do not force the power tool. Use the correct power tool for your application.** The correct power tool will do the job better and safer at the rate for which it was designed.
- b. **Do not use the power tool if the switch does not turn it on and off.** Any power tool that cannot be controlled with the switch is dangerous and must be repaired.
- c. **Disconnect the plug from the power source and/or the battery pack from the power tool before making** any adjustments, changing accessories, or storing power tools. Such preventive safety measures reduce the risk of starting the power tool accidentally.
- d. **Store idle power tools out of the reach of children and do not allow persons unfamiliar with the power tool or these instructions to operate the power tool.** Power tools are dangerous in the hands of untrained users.
- e. **Maintain power tools. Check for misalignment or binding of moving parts, breakage of parts and any other condition that may affect the power tools operation. If damaged, have the power tool repaired before use.** Many accidents are caused by poorly maintained power tools.
- f. **Keep cutting tools sharp and clean.** Properly maintained cutting tools with sharp cutting edges are less likely to bind and are easier to control.
- g. **Use the power tool, accessories and tool bits etc., in accordance with these instructions taking into account the working conditions and the work to be performed.** Use of the power tool for operations different from those intended could result in a hazardous situation

#### 5. Service

- a. **Have your power tool serviced by a qualified repair person using only identical replacement parts.** This will ensure that the safety of the power tool is maintained.

#### Safety Instructions For Abrasive Cuttingoff Operations Cut-off Machine Safety Warnings

- a) The guard provided with the tool must be securely attached to the power tool and positioned for

maximum safety, so the least amount of wheel is exposed towards the operator. Position yourself and bystanders away from the plane of the rotating wheel. The guard helps to protect operator from broken wheel fragments and accidental contact with wheel.

- b) **Use only diamond cut-off wheels for your power tool.** Just because an accessory can be attached to your power tool, it does not assure safe operation.

**Note:** Use the wording "diamond" as applicable depending on the designation of the tool.

- c) **The rated speed of the accessory must be at least equal to the maximum speed marked on the power tool.** Accessories running faster than their rated speed can break and fly apart.
- d) **Wheels must be used only for recommended applications. For example: do not grind with the side of cut-off wheel.** Abrasive cut-off wheels are intended for peripheral grinding, side forces applied to these wheels may cause them to shatter.
- e) **Always use undamaged wheel flanges that are of correct diameter for your selected wheel.** Proper wheel flanges support the wheel thus reducing the possibility of wheel breakage.
- f) **Do not use worn down reinforced wheels from larger power tools.** Wheels intended for a larger power tool are not suitable for the higher speed of a smaller tool and may burst.

**Note:** The above warning does not apply for tools only designated to be used with diamond wheels.

- g) **The outside diameter and the thickness of your accessory must be within the capacity rating of your power tool.** Incorrectly sized accessories cannot be adequately guarded or controlled.
- h) **The arbour size of wheels and flanges must properly fit the spindle of the power tool.** Wheels and flanges with arbour holes that do not match the mounting hardware of the power tool will run out of balance, vibrate excessively and may cause loss of control.
- i) **Do not use damaged wheels. Before each use, inspect the wheels for chips and cracks. If power tool or wheel is dropped, inspect for damage or install an undamaged wheel. After inspecting and**

installing the wheel, position yourself and bystanders away from the plane of the rotating wheel and run the power tool at maximum no load speed for one minute. Damaged wheels will normally break apart during this test time.

- j) **Wear personal protective equipment. Depending on application, use face shield, safety goggles or safety glasses. As appropriate, wear dust mask, hearing protectors, gloves and shop apron capable of stopping small abrasive or workpiece fragments.**

The eye protection must be capable of stopping flying debris generated by various operations. The dust mask or respirator must be capable of filtrating particles generated by your operation. Prolonged exposure to high intensity noise may cause hearing loss.

- k) **Keep bystanders a safe distance away from work area. Anyone entering the work area must wear personal protective equipment.** Fragments of workpiece or of a broken wheel may fly away and cause injury beyond immediate area of operation.

- l) **Hold the power tool by insulated gripping surfaces only, when performing an operation where the cutting accessory may contact hidden wiring or its own cord.** Cutting accessory contacting a "live" wire may make exposed metal parts of the power tool "live" and could give the operator an electric shock.

- m) **Position the cord clear of the spinning accessory.** If you lose control, the cord may be cut or snagged and your hand or arm may be pulled into the spinning wheel.

- n) **Never lay the power tool down until the accessory has come to a complete stop.** The spinning wheel may grab the surface and pull the power tool out of your control.

- o) **Do not run the power tool while carrying it at your side.** Accidental contact with the spinning accessory could snag your clothing, pulling the accessory into your body.

- p) **Regularly clean the power tool's air vents.** The motor's fan will draw the dust inside the housing and excessive accumulation of powdered metal may cause electrical hazards.

- q) **Do not operate the power tool near flammable materials.** Sparks could ignite these materials.

- r) **Do not use accessories that require liquid coolants.**

Using water or other liquid coolants may result in electrocution or shock.

**Note:** The above warning does not apply for power tools specifically designed for use with a liquid system.

### **Further safety instructions for abrasive cutting-off operations Kickback and related warnings**

Kickback is a sudden reaction to a pinched or snagged rotating wheel. Pinching or snagging causes rapid stalling of the rotating wheel which in turn causes the uncontrolled power tool to be forced in the direction opposite of the wheel's rotation at the point of the binding.

For example, if an abrasive wheel is snagged or pinched by the workpiece, the edge of the wheel that is entering into the pinch point can dig into the surface of the material causing the wheel to climb out or kick out. The wheel may either jump toward or away from the operator, depending on direction of the wheel's movement at the point of pinching. Abrasive wheels may also break under these conditions.

Kickback is the result of power tool misuse and/or incorrect operating procedures or conditions and can be avoided by taking proper precautions as given below.

- a) **Maintain a firm grip on the power tool and position your body and arm to allow you to resist kickback forces. Always use auxiliary handle, if provided, for maximum control over kickback or torque reaction during start-up.** The operator can control torque reactions or kickback forces, if proper precautions are taken.
- b) **Never place your hand near the rotating accessory.** Accessory may kickback over your hand.
- c) **Do not position your body in line with the rotating wheel.** Kickback will propel the tool in direction opposite to the wheel's movement at the point of snagging.
- d) **Use special care when working corners, sharp edges etc. Avoid bouncing and snagging the accessory.** Corners, sharp edges or bouncing have a tendency to snag the rotating accessory and cause loss of control or kickback.

- e) **Do not attach a saw chain, woodcarving blade, segmented diamond wheel with a peripheral gap greater than 10 mm or toothed saw blade.** Such blades create frequent kickback and loss of control.
- f) **Do not “jam” the wheel or apply excessive pressure. Do not attempt to make an excessive depth of cut.** Overstressing the wheel increases the loading and susceptibility to twisting or binding of the wheel in the cut and the possibility of kickback or wheel breakage.
- g) **When wheel is binding or when interrupting a cut for any reason, switch off the power tool and hold the power tool motionless until the wheel comes to a complete stop. Never attempt to remove the wheel from the cut while the wheel is in motion otherwise kickback may occur.** Investigate and take corrective action to eliminate the cause of wheel binding.
- h) **Do not restart the cutting operation in the workpiece. Let the wheel reach full speed and carefully re-enter the cut.** The wheel may bind, walk up or kickback if the power tool is restarted in the workpiece.
- i) **Support panels or any oversized workpiece to minimize the risk of wheel pinching and kickback.** Large workpieces tend to sag under their own weight. Supports must be placed under the workpiece near the line of cut and near the edge of the workpiece on both sides of the wheel.
- j) **Use extra caution when making a “pocket cut” into existing walls or other blind areas.** The protruding wheel may cut gas or water pipes, electrical wiring or objects that can cause kickback.
- **Always keep your hands away from the cutting area and the diamond wheel. Always keep the other hand on the side handle.** If you hold the tool with both hands, you will not be injured by the wheel.
  - **Do not touch the underside of the workpiece** because the guard cannot protect the part of the wheel under the workpiece.
  - **Always use a diamond wheel with wellmatched size and center (diamond or circular shape).** Mismatched wheel and holder will result in eccentric operation and you may lose control.
  - **Do not use any washer or bolt that is damaged or unfit in size;** otherwise you will lose control of the operation.
  - **Do not use any grinding wheel.**
  - **Do not use any diamond wheel that does not conform to the manufacturer’s stipulations.**
  - **Do not use any cutting wheel that has been damaged, distorted, or cracked.**
  - **Do not operate the tool without the fixed guard.**
  - **Do not start the tool with the cutting wheel touching the workpiece.**
  - **After switching off the tool, put down the tool only after the cutting wheel has completely stopped running. Do not force the wheel to stop.**
  - **Disconnect the plug from the power source and ensure that the diamond wheel is stationary before replacing it, adjusting the cutting depth or water pipe, or repairing the tool.**
  - **Only hold the tool by its insulated gripping surface when the diamond wheel is likely to cut through concealed wires or its own cord.** If the diamond wheel touches a “live” wire, the exposed metal parts of the power tool may be charged and thus cause electric shock to the operator.
  - **Be extra cautious when “blind cutting” through walls or other blind areas** because the diamond wheel may cut into gas or water piping, wires, or resilient objects.

## Additional Safety Precautions For Marble Cutters



**Caution!** Do not touch exposed metal parts of the tool when cutting through walls and floors, or when in contact with electrical wiring. **Hold the tool by insulated gripping surfaces when performing an operation where the cutting tool may come in contact with concealed wiring or its own cord.** Contact with a “live” wire will make exposed metal parts of the tool “live” and this will cause electric shock to the operator.

## 6. Labels on tool

The label on your tool may include the following symbols:



Read Instructions Manual

Hz ..... Hertz



Class II Construction



Use Eye Protection

W ..... Watts



Earthing Terminal



Use Ear Protection

min ..... minutes



Safety Alert Symbol

~ ..... Alternating Current

Revolutions or Reciprocation per minute

— ..... Direct Current

.../min..

V ..... Volts

A ..... Amperes

$n_0$  ..... No-Load Speed

## Position of date barcode

The Date Code, which also includes the year of manufacture, is printed into the housing.

Example:

2014 XX JN  
Year of manufacturing

## 7. Electrical Safety



Your tool is double insulated; therefore no earth wire is required. Always check that the main voltage corresponds to the voltage on the rating plate.



**Warning!** If the power cord is damaged, it must be replaced by the manufacturer, authorized STANLEY Service Center or an equally qualified person in order to avoid damage or injury. If the power cord is replaced by an equally qualified person, but not authorized by STANLEY, the warranty will not be valid.

## Using an Extension Cable

An extension cable should not be used unless absolutely necessary. Use of an improper extension cable could result in a risk of fire and electric shock. If an extension cable must be used, use only those that are approved by the country's electrical authority. Make sure that the extension cable is in good condition before using. Always use the cable that is suitable for the power input of your tool (see technical data on name plate). The minimum conductor size is 1.5mm<sup>2</sup>.

## Feature (Fig. A)

1. On/Off switch
2. Lock-on button
3. Butterfly screw
4. Base

5. Brush cap
6. Socket wrench
7. Spanner

## Assembly And Adjustment



**Warning!** Prior to assembly and adjustment, always unplug the tool.

### Installing and removing the diamond wheel (Fig. C)

- Insert the diamond wheel (9) to the spindle.
- Grip outside flange with spanner (7) and turn the screw counterclockwise with the socket wrench (6).
- Be sure to tighten clamp blot securely.
- Use only the recommended diamond wheel with the correct hole size.
- Removing
- Follow the procedures above in reverse order.

### Cutting depth adjustment (Fig. D)

- To increase or decrease the depth of cut, loosen the butterfly screw (3), move the base (4) to adjust the depth, and tighten the screw to secure the depth.
- To prevent tool fault, the depth-of-cut adjustment knob has been set to the optimal position at factory default.

**Note:** Users may also set the knob to a desired position at any time.

## Use



**Warning!** Always observe the safety instructions and applicable regulations.



**Warning!** Ensure that the butterfly screw (3) is properly tightened before operating the tool.

### Switching On And Off (Fig. B)

- To switch the tool on, press the on/off switch (1).
- To switch the tool off, release the on/off switch (1).
- This tool has a lock-on feature. To activate, press the on/off switch and then the lock-on button (2). To de-activate, press the on/off button again.



**Warning!** Always switch off the tool and then the power supply when work is finished.

### Cutting (Fig. E)

- Align the front edge of the base with the cutting
- Line on the workpiece.
- Hold the tool firmly.
- Set the base on the workpiece to be cut without the wheel making any contact.
- Turn the tool on and wait until the wheel attains full speed.
- Move the tool forward over the workpiece surface, advancing smoothly until the cut is completed.
- Keep the cutting line straight.

**Warning!** This tool should only be used on horizontal surfaces.

- Be sure to move the tool gently forward, in a straight line.
- Forcing, or exerting excessive pressure, or allowing the wheel to bend, pinch or twist in the cut can cause the motor to over heat and tool to kick back dangerously.
- When the depth of cut is over 20mm deep, make 2 or 3 separate cuts to prevent motor failure.

### Maintenance

Your STANLEY power tool has been designed to operate over a long period of time with minimal maintenance. Continuous satisfactory operation depends upon proper tool care and regular cleaning. Do not repair the tool yourself. Please send your tool to authorized STANLEY service centers for regular maintenance and service, or when a significant change in performance is observed.

### Carbon brushes (Fig. F)

- Remove and check carbon brushes regularly.
- Replace when they have worn down to about 6mm or less.
- Keep carbon brushes clean for free movement in the holder. Both carbon brushes should be replaced at the same time.

- Use only STANLEY carbon brushes.
- Use a slotted screwdriver to remove brush caps (5).
- Remove worn brushes, insert new ones, and secure the brush caps.

### Cleaning



**Warning!** Unplug the tool before you use a cloth to clean the housing. With the motor running, blow dirt and dust out of all air vents with dry air at least once a week. Wear safety glasses when performing this. Exterior plastic parts may be cleaned with a damp cloth and mild detergent. Although these parts are highly solvent resistant, NEVER use solvents.

### Tool Care

Avoid overloading the power tool. Overloading will result in a considerable reduction in speed and efficiency and the tool will over heat. In this case, run the power tool at no load for a minute or two until cooled to normal working temperature by the built in fan. Switching your tool on and off whilst under load will considerably reduce the life of the tool.

### Important

To ensure product safety and reliability, repairs, maintenance and adjustment (other than those listed in this manual) should be performed by authorized service centers or other qualified organizations, always using identical replacement parts. Unit contains no user serviceable parts inside.

### Accessories

The performance of any power tool is dependent on the accessory used. STANLEY accessories are engineered to high quality standards and are manufactured from the best materials. Stringent tests are performed before the accessories are launched in the market. They are designed to enhance the performance of power tools.

Purchase STANLEY accessories to bring your STANLEY power tools to greater performance. Recommended STANLEY accessories are available at your local authorized dealers or service centers. STANLEY offers a large selection of accessories at your local dealer or authorized service center.



**Note:** Use only wheels rated at least equal to the maximum speed marked on the tool.



**Warning!** The use of any other accessory not recommended for use with this tool could be hazardous.



**Warning!** Only stone-cutting diamond wheel can be used. Do not use grinding wheel or toothed blades.

## Service Information

STANLEY offers a full network of company-owned and authorized service locations. All STANLEY Service Centers are staffed with trained personnel to provide customers with efficient and reliable power tool service. For more information about our authorized service centers and if you need technical advice, repair, or genuine factory replacement parts, contact the STANLEY location nearest you.

## Specifications

STSP125		
Power	W	1320
Voltage	V	220-240
Frequency	Hz	50/60
No-load speed	/min	13500 (rpm)
Wheel diameter	mm	125
Depth of cut	mm	41
Weight	kg	3.1

## Protecting the environment



Separate collection. This product must not be disposed of with normal household waste.

Should you find one day that your STANLEY product needs replacement, or if it is of no further use to you, do not dispose of it with household waste. Make this product available for separate collection.



Separate collection of used products and packaging allows materials to be recycled and used again.

Re-use of recycled materials helps prevent environmental pollution and reduces the demand for raw materials.

Local regulations may provide for separate collection of electrical products from the household, at municipal waste sites or by the retailer when you purchase a new product. STANLEY provides a facility for the collection and recycling of STANLEY products once they have reached the end of their working life. To take advantage of this service please return your product to any authorised repair agent who will collect them on our behalf.

You can check the location of your nearest authorised repair agent by contacting your local STANLEY office at the address indicated in this manual. Alternatively, a list of authorised STANLEY repair agents and full details of our after-sales service and contacts are available on the Internet at: [www.2helpU.com](http://www.2helpU.com)

## Two years full warranty

If your STANLEY product becomes defective due to faulty materials or workmanship within 24 months from the date of purchase, STANLEY Europe guarantees to replace all defective parts free of charge or – at our discretion – replace the unit free of charge provided that:

- The product has not been misused and has been used in accordance with the instruction manual.
- The product has been subject to fair wear and tear;
- Repairs have not been attempted by unauthorised persons;
- Proof of purchase is produced.
- The STANLEY product is returned complete with all original components

If you wish to make a claim, contact your seller or check the location of your nearest authorised STANLEY repair agent in the STANLEY catalogue or contact your local STANLEY office at the address indicated in this manual. A list of authorised STANLEY repair agents and full details of our after sales service is available on the internet at: [www.stanleytools.com](http://www.stanleytools.com)

FIG. A

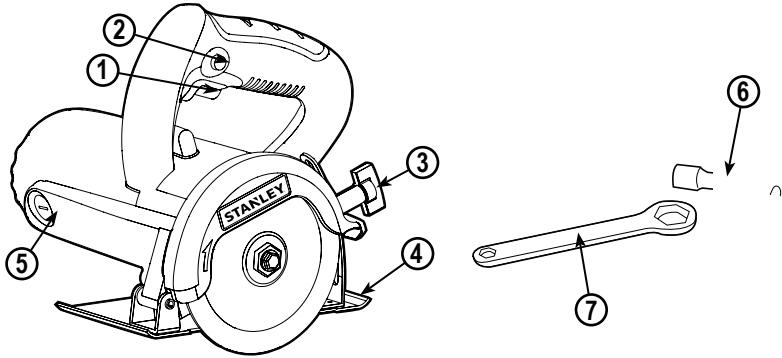


FIG. B

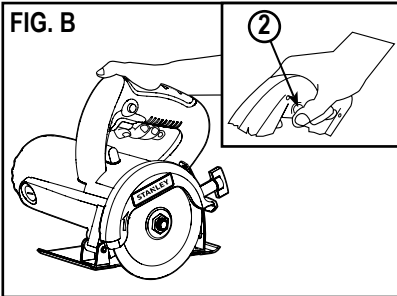


FIG. C

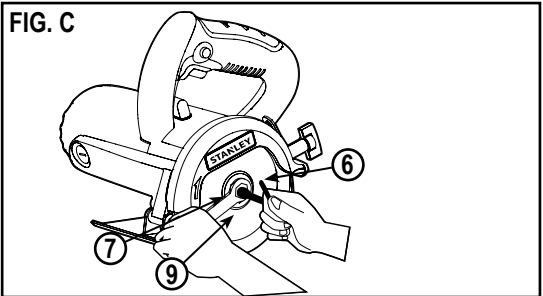


FIG. D

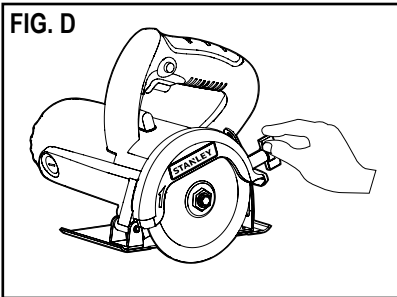


FIG. E

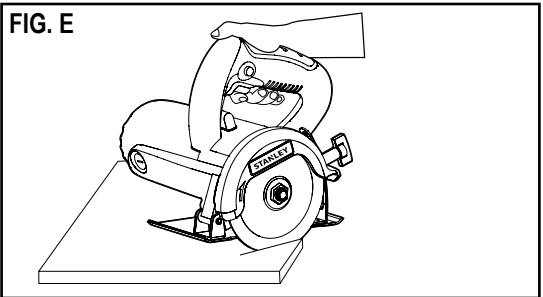
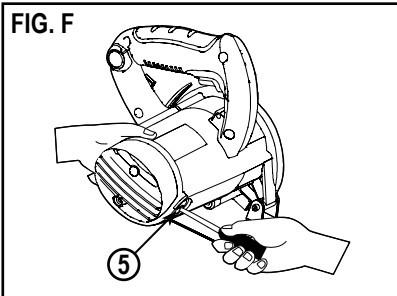


FIG. F



**НЕ ВОЗВРАЩАЙТЕ ЭТО ИЗДЕЛИЕ В МАГАЗИН,** сначала обратитесь в ваш местный офис STANLEY или в ближайший авторизованный сервисный центр.

## Общие правила техники безопасности



**Внимание!** Прочитайте и поймите все инструкции. Несоблюдение любых инструкций, указанных ниже, может привести к поражению электрическим током, пожару и/или серьезной травме.

## СОХРАНИТЕ ЭТИ ИНСТРУКЦИИ

### Правила техники безопасности

#### Общие предупреждения по технике безопасности электроинструментов



**Внимание!** Ознакомьтесь со всеми правилами безопасности и инструкциями. Несоблюдение предупреждений и инструкций, указанных ниже, может привести к поражению электрическим током, пожару и/или серьезной травме.

#### Сохраните все предупреждения и инструкции для будущего использования.

Термин "электроинструмент" во всех предупреждениях, указанных ниже, относится к вашему сетевому (с кабелем) электроинструменту или аккумуляторному электроинструменту (без кабеля питания).

#### 1. Безопасность рабочего места

- a. **Содержите рабочее место в чистоте и хорошо освещенным.** Беспорядок на рабочем месте или отсутствие освещения рабочего места может привести к аварии.
- b. **Не работайте с электроинструментом в месте хранения взрывоопасных материалов, например, в присутствии огнеопасных жидкостей, газов или пыли.** Электрические инструменты создают искры, которые могут воспламенить пыль или пары.
- c. **Дети и посторонние лица должны находиться как можно дальше во время работы с электроинструментом.** Вы можете отвлечься и потерять контроль.

#### 2. Электробезопасность

- a. **Вилка электроинструмента должна соответствовать розетке. Никогда не модифицируйте вилку каким-либо образом. Не используйте никакие вилки-переходники с заземленными (замкнутыми на землю) электроинструментами.** Вилки и розетки, которые не подвергались никаким изменениям снижают риск поражения электрическим током.

- b. **Избегайте контакта тела с заземленными поверхностями, такими как трубы, радиаторы, плиты и холодильник.** Существует повышенный риск поражения электрическим током, если ваше тело заземлено.

- c. **Избегайте любого воздействия дождя или влаги на электроинструменты.** Вода, попавшая в электроинструмент, увеличивает риск поражения электрическим током.

- d. **Аккуратно обращайтесь со шнуром питания. Никогда не используйте шнур питания для переноски, перемещения или извлечения вилки из розетки. Держите шнур вдали от источников тепла, масла, острых краев или движущихся частей.** Поврежденные или запутанные шнуры увеличивают риск поражения электрическим током.

- e. **При работе с электроинструментом на улице, используйте удлинители, подходящий для наружного использования. Использование кабеля, пригодного для использования на открытом воздухе, снижает риск поражения электрическим током.**

- f. **При необходимости работы с электроинструментом во влажной среде, используйте устройство защитного отключения (УЗО).** Использование УЗО снижает риск поражения электрическим током.

**Примечание:** Термин "устройство защитного отключения (УЗО)" может быть заменен на "аварийный прерыватель заземления" или "автоматический выключатель тока утечки".

#### 3. Личная безопасность

- a. **Будьте внимательны, смотрите, что вы делаете, используйте здравый смысл при работе с электроинструментом. Не используйте электроинструмент, если вы устали или находитесь под влиянием наркотиков, алкоголя или лекарств.** Малейшая неосторожность при работе с электроинструментом может привести к серьезным травмам.
- b. **Используйте средства индивидуальной защиты. Всегда надевайте защитные очки. Другое защитное оборудование, включая респиратор, ботинки на нескользящей подошве, защитный шлем или средства защиты органов слуха, используемые в надлежащих условиях, уменьшат риск получения травмы.**
- c. **Для предотвращения случайного запуска, убедитесь, что переключатель находится в выключенном положении перед подключением к источнику питания и/или аккумуляторной батарее, поднятия или переноски инструмента.** Не переносите электроинструмент с пальцем на выключателе и не включайте питание на инструмент с включенным выключателем, что может привести к несчастному случаю.

d. **Перед включением электроинструмента снимайте регулировочный или гаечный ключ.** Гаечный или регулировочный ключ, оставленный на вращающейся части электроинструмента, может привести к травме.

e. **Не тянитесь. Сохраняйте правильную стойку и баланс все время.** Это позволяет лучше контролировать инструмент в неожиданных ситуациях.

f. **Одевайтесь правильно. Не надевайте свободную одежду или украшения. Держите волосы, одежду и перчатки вдали от движущихся частей.** Свободная одежда, украшения или длинные волосы могут попасть в движущиеся части.

g. **Если имеются устройства для подключения пылесборника или вытяжки, убедитесь в том, что они подсоединены и используются правильно.** Использование пылесборника снижает вероятность возникновения рисков, связанных с пылью.

#### 4. Использование и уход за электроинструментом

a. **Не перегружайте электроинструмент. Используйте подходящий электрический инструмент для соответствующего применения.** Правильно подобранный электроинструмент позволит выполнить работу лучше и безопаснее при скорости, для которой он был разработан.

b. **Не используйте электроинструмент, если переключатель не может его включить и выключить.** Любой электроинструмент, который нельзя контролировать с помощью переключателя, опасен и должен быть отремонтирован.

c. **Отключите кабель питания от источника питания и/или аккумуляторный блок от электрического инструмента перед выполнением любых регулировок, замены принадлежностей или при хранении электроинструмента.** Такие профилактические меры безопасности уменьшают риск непреднамеренного запуска электрического инструмента.

d. **Храните неиспользуемые электроинструменты в недоступном для детей месте и не позволяйте лицам, не знакомым с электроинструментом или данными инструкциями, работать с электроинструментом.** Электроинструменты опасны в руках неопытных пользователей.

e. **Поддержание электроинструмента. Проверьте разрегулированность или соединения подвижных частей, помолки частей и любые другие условия, которые могут повлиять на работу электроинструмента. При наличии повреждения, отремонтируйте электроинструмент перед использованием.**

Многие несчастные случаи являются следствием плохого ухода за электроинструментом.

f. **Держите режущий инструмент острым и чистым.** Хорошо ухоженный режущий инструмент с острыми режущими кромками легче контролировать.

g. **Используйте электроинструмент, аксессуары и сверла в соответствии с данными инструкциями и в порядке, предназначенном для конкретного типа электрического инструмента, принимая во внимание условия работы и характер выполняемой работы.** Использование электрического инструмента для операций, отличающихся от тех, для которых он предназначен может привести к опасной ситуации.

#### 5. Обслуживание

a. **Обеспечьте, чтобы обслуживание и ремонт вашего электроинструмента проводился в авторизованном сервисном центре по ремонту с использованием только оригинальных запасных частей.** Это станет гарантией безопасности электроинструмента.

### Инструкции по технике безопасности для абразивной резки Правила безопасности для режущих инструментов

a. **Кожух, поставляемый с инструментом должен быть надежно прикреплен к электроинструменту и установлен для максимальной безопасности, так, чтобы по меньшей мере круг был виден оператору.** Расположитесь так, чтобы вы и проходящие люди были как можно дальше от плоскости вращения круга. Кожух помогает защитить оператора от травм, которые могут нанести сломанные фрагменты и случайный контакт с диском.

b. **Используйте только круги с алмазным напылением для вашего электроинструмента.** Тот факт, что аксессуар может быть подключен к электроинструменту, не дает никакой гарантии безопасности работы.

**Примечание:** используйте формулировку "алмазный" в зависимости от назначения инструмента.

c. **Номинальная скорость аксессуара должна быть по меньшей мере равна максимальной скорости, обозначенной на инструменте.** Аксессуары, работающие быстрее, чем их номинальная скорость могут сломаться и разлететься.

d. **Круги должны быть использованы только для рекомендованных приложений. Например: не резать боковой частью отрезного круга.** Абразивные отрезные круги предназначены для периферийного шлифования, боковые силы, приложенные к этим кругам могут привести к их разрушению.

- e) **Всегда используйте неповрежденные фланцы круга правильного диаметра для вашего круга.** Фланцы кругов правильного размера поддерживают круг, таким образом, уменьшая возможность его поломки.
- f) **Не используйте изношенные круги от больших электроинструментов.** Круги, предназначенные для больших электроинструментов не подходят для более высокой скорости кругов для инструментов меньшего размера и могут лопнуть.

**Примечание:** вышеуказанное предупреждение не распространяется для инструментов предназначенных для использования только с алмазными кругами.

- g) **Наружный диаметр и толщина аксессуара должна быть в пределах номинальных мощностей вашего инструмента.** Аксессуары неправильного размера не могут быть адекватно защищены или контролироваться.
- h) **Размер шпинделя и фланцев круга должен соответствовать шпинделю электроинструмента.** Круги и фланцы с отверстиями для шпинделя, которые не соответствуют монтажному оборудованию, при работе с электроинструментом могут выйти из равновесия, чрезмерно вибрировать и привести к потере управления.
- i) **Не используйте поврежденные круги.** Перед каждым использованием проверьте круги на наличие сколов и трещин. Если электроинструмент или колесо упало, проверьте их на наличие повреждений или установите неповрежденный круг. После проверки и установки круга, всаньте так, чтобы вы и проходящие мимо люди были максимально далеко от плоскости вращения круга. Запустив электроинструмент, дайте ему поработать на холостом ходу при максимальной скорости в течение одной минуты. Поврежденные диски, как правило, распадаются в течение этого времени испытаний.
- j) **Надевайте средства индивидуальной защиты. В зависимости от применения, используйте защитную маску и защитные очки. В случае необходимости используйте защитную маску, средства защиты слуха, перчатки и специальный фартук, которые способны остановить мелкие абразивы или фрагменты деталей.** Средства защиты глаз должны быть способны остановить летящий мусор в процессе работы. Маска или респиратор должны быть способны фильтровать частицы пыли, образуемые в процессе вашей работы. Длительное воздействие шума высокой интенсивности может привести к потере слуха.

- k) **Убедитесь, что люди, находящиеся в рабочей зоне, находились на безопасном расстоянии от рабочей зоны. Любое лицо входящее в рабочую зону, должно быть одето в средства индивидуальной защиты.** Фрагменты деталей или разбитого круга могут отлететь и причинить травму в непосредственной близости от эксплуатации.
- l) **Держите инструмент за изолированные ручки при выполнении работы, когда режущий инструмент может контактировать со скрытой проводкой или своим собственным шнуром.** Контакт с "работающим" проводом сделает открытые металлические части инструмента проводящими, и оператора может ударить электрическим током.
- m) **Расположите кабель вдали от вращающегося аксессуара.** Если вы теряете контроль, шнур может быть разрезан или зацепиться и ваша рука или руки могут быть втянуты во вращающийся круг.
- n) **Никогда не кладите электроинструмент, пока аксессуар не пришел к полной остановке.** Вращающийся круг может захватить поверхность и вывести электроинструмент из под вашего контроля.
- o) **Не запускайте электроинструмент, если он находится на вашей стороне.** При случайном контакте с вращающимся аксессуаром может затянуть вашу одежду.
- p) **Регулярно очищайте вентиляционные прорези электроинструмента.** Вентилятор двигателя будет нагнетать пыль внутри корпуса, и чрезмерное накопления металлических порошков может вызвать поражение электрическим током.
- q) **Не используйте электроинструмент вблизи легковоспламеняющихся материалов.** Искры могут воспламенить эти материалы.
- r) **Не используйте аксессуары, которые требуют охлаждающих жидкостей.** Использование воды или других охлаждающих жидкостей может привести к поражению электротоком.

**Примечание:** вышеуказанное предупреждение не распространяется на электроинструменты, специально предназначенных для использования с влажными системами.

### **Дальнейшие инструкции по технике безопасности для резки абразивными кругами Отдача и связанные с ней предупреждения**

Отдача это – внезапная реакция на защемление или застревание вращающегося диска. Защемление или

застывание вызывает быстрый срыв вращающегося диска, который в свою очередь заставляет неконтролируемый электроинструмент двигаться в направлении, противоположном направлению вращения колеса в точке привязки.

Например, если абразивный круг зацепился или защемился в заготовке, край круга входит в точку привязки и может войти в поверхность материала, в результате чего круг выскакивает. Круг может отскочить к или от оператора, в зависимости от направления вращения круга в точке защемления. Абразивные круги могут также сломаться при таких условиях.

Отдача является результатом неправильного использования инструмента и/или неправильных действий оператора или условий, ее можно избежать, приняв соответствующие меры предосторожности, как указано ниже.

- a) **Крепко держите пилу обеими руками и убедитесь, что положение вашего тела и рук позволит вам противостоять воздействию обратного удара (отдачи).** Оператор может контролировать силу отдачи, если приняты соответствующие меры предосторожности.
- b) **Никогда не держите руки вблизи вращающегося аксессуара.** Аксессуары могут дать отдачу по вашей руке.
- c) **Не располагайте ваше тело в одну линию с вращающимся колесом.** Отдача будет двигать инструмент в направлении, противоположном движению круга в точке зацепления.
- d) **Используйте особую осторожность при обработке углов, острых кромок и т.д. Избегайте выскакивания аксессуара.** Углы, острые края или подпрыгивания часто ведут к застыванию вращающегося аксессуара и потере управления или отдаче.
- e) **Не подключайте пыльную цепь, круг для резки по дереву, сегментированный алмазный круг с периферийным зазором или зубчатый пыльный круг больше, чем на 10 мм.** Такие круги создают частую отдачу и потерю контроля.
- f) **Не зажимайте круг и не прилагайте избыточное надавливание. Не пытайтесь сделать чрезмерного глубокий разрез.** Перегрузка круга увеличивает нагрузку и восприимчивость к скручиванию или застыванию круга в разрезе и возможность отдачи или поломки круга.
- g) **Когда диск пилы застревает или по какой-либо причине происходит сбой во время распила, отпустите курок и удерживайте пилу неподвижно в материале, пока диск полностью не остановится. Никогда не пытайтесь удалить пилу во время работы и не тяните ее назад в то время, когда диск находится в движении, так как это может привести к отдаче.** Следует понять причину и предпринять корректирующие действия с целью устранения причин застревания диска.
- h) **Не перегружайте операцию резки на обрабатываемой детали. Дайте кругу набрать полную скорость и осторожно повторно войти в разрез.** Круг может застрять, выскочить вверх или дать отдачу, если электроинструмент будет перезапущен в заготовке.
- i) **Поддерживайте панели или заготовки большого размера для сведения к минимуму риска ущемления диска и отдачи.** Большие заготовки, как правило, прогибаются под собственным весом. Поддержка должна быть помещена под заготовкой рядом с линией реза и у края панели с обеих сторон круга.
- j) **Будьте особенно осторожны при выполнении "карманной резки" в существующих стенах или других слепых зонах.** Выступающие круги могут отрезать газо- или водопроводы, повредить электропроводку или объекты, которые могут привести к возникновению отдачи.

### Дополнительные меры безопасности для мраморного резака



**Предостережение!** Не прикасайтесь к неизолированным металлическим частям инструмента при резке через стены и полы или при контакте с электропроводкой. Держите инструмент за изолированные поверхности при выполнении действий, при которых режущий инструмент может контактировать со скрытой проводкой или собственным кабелем. Контакт с "работающим" проводом делает открытые металлические части инструмента проводящими, и это приведет к поражению оператора электрическим током.

- **Всегда держите руки подальше от области резки и алмазного круга.** Всегда держите другую руку на боковой рукоятке. Если вы держите инструмент обеими руками, вы не получите ранения от круга.
- **Не прикасайтесь к нижней части детали,** поскольку кожан не может защитить часть круга под заготовкой.

- Всегда используйте алмазный круг с соответствующим размером и центром (алмазной или круглой формы). Несоответствие круга и держателя приведет к эксцентричной работе и потере контроля.
- Не используйте шайбу или болт, который поврежден или непригоден по размеру; в противном случае вы потеряете контроль во время работы.
- Не используйте абразивный круг.
- Не используйте алмазный круг, который не соответствует рекомендуемым производителем параметрам.
- Не используйте режущий диск, который был поврежден, искажен или имеет трещины.
- Не используйте инструмент без установленного кожуха.
- Не запускайте инструмент с режущим кругом, касающимся заготовки.
- После выключения инструмента, положите инструмент только после того, как режущий диск полностью остановится. Не применяйте силу для остановки круга.
- Отключите инструмент от источника питания и убедитесь, что алмазный диск неподвижен перед его заменой, регулировкой глубины резания или проведением ремонта.
- Держите инструмент только за изолированные ручки, в том случае, если алмазный круг случайно разрежет скрытые провода или собственный кабель. Если алмазный круг касается работающего провода, открытые металлические части электроинструмента могут стать проводником, что может привести к поражению оператора электрическим током.
- Будьте особенно осторожны во время "слепой резки" сквозь стены или другие слепые зоны, потому что алмазный круг может разрезать газо- или водопровод, провода и другие упругие объекты.

## 6. Этикетки на инструменте

Этикетки на вашем инструменте могут включать такие символы:

	Читайте инструкции з експлуатації	Гц ..... Герц	Вт ..... Ватт		Конструкція класу II	
	Використовуйте засоби захисту очей	мин ..... хвилини		Змінний струм		Термінал заземлення
	Використовуйте засоби захисту органів слуху		Постійний струм		Символ попередження про небезпеку	
V ..... Вольт	A ..... Ампер		п <sub>н</sub> ..... Швидкість без навантаження	хв..	обороти або зворотно-поступальний рух в хвилину	

## Положення дати штрих-коду

Дата коду, який також включає рік виготовлення, друкується на корпусі.

Приклад:

2014 XX JN  
Рік виготовлення

## 7. Електрична безпека



Ваш інструмент має подвійну ізоляцію, саме в цьому зв'язку з'язку заземлюючий провід не потрібен. Завжди перевіряйте, що напруга мережі відповідає напрузі, вказаній на таблиці.



**Увага!** Якщо шнур живлення пошкоджений, він повинен бути замінений виробником в авторизованому сервісному центрі STANLEY або кваліфікованим фахівцем для того, щоб уникнути пошкодження або травми. Якщо шнур живлення замінений кваліфікованим фахівцем, не уповноваженим STANLEY, гарантія не діятиме.

## Использование удлинителя

Удлинитель может быть использован только в случае крайней необходимости. Использование неподходящего удлинительного кабеля может привести к возникновению пожара и поражению электрическим током. Если необходимо использовать удлинитель, используйте только те модели, которые одобрены государственным органом по контролю за электричеством. Убедитесь, что кабель-удлинитель находится в хорошем состоянии перед использованием. Всегда используйте кабель, который подходит для питания вашего инструмента (см технические данные на фирменной табличке). Минимальный размер проводника составляет 1,5 мм<sup>2</sup>.

## Характеристик (рис. А)

1. Переключатель вкл./выкл.



2. Кнопка блокировки
3. Винт-барашек
4. Основа
5. Крышка щетки
6. Торцовый ключ
7. Гаечный ключ

## Монтаж и наладка



**Предостережение!** Перед сборкой и регулировкой, всегда отключайте инструмент.

### Установка и снятие алмазного круга (рис. С)

- Вставьте алмазный круг (9) в шпindelь.
- С внешней стороны фланца затяните (7) винт против часовой стрелки с помощью торцевого ключа (6).
- Надежно затяните зажим винта.
- Используйте только рекомендованные алмазные круги с правильным размером отверстия.

### Снятие

- Выполните процедуру в обратном порядке.

### Регулировка глубины резания (рис. D)

- Чтобы увеличить или уменьшить глубину резания, ослабьте винт-барашек (3), переместите основу (4), чтобы отрегулировать глубину и затяните винт, чтобы закрепить глубину.
- Для предотвращения неисправности инструмента, ручка регулировки глубины реза была установлена в оптимальное положение на заводе по умолчанию.

**Примечание:** Пользователь может также установить ручку в желаемое положение в любое время.

## Использование



**Предостережение!** Всегда соблюдайте инструкции по технике безопасности, а также соответствующие предписания.

**Предостережение!** Убедитесь, что винт-барашек (3) правильно закреплен перед началом эксплуатации инструмента.

## Включение и выключение (рис. B)

- Чтобы включить инструмент, нажмите переключатель вкл./ выкл. (1).
- Чтобы включить инструмент, отпустите переключатель вкл./ выкл. (1).
- Этот инструмент имеет функцию блокировки. Для активации, нажмите переключатель вкл./ выкл., а затем кнопку блокировки (2). Чтобы отключить, снова нажмите переключатель вкл./ выкл.



**Предостережение!** Всегда выключайте инструмент и электропитание, после окончания работы.

## Резка (рис. E)

- Совместите переднюю кромку основания с линией резки на заготовке.
- Держите инструмент крепко.
- Установите основу на заготовке, чтобы не было контакта с кругом
- Включите инструмент и подождите, пока круг не наберет полную скорость.
- Плавно перемещайте инструмент вперед по поверхности заготовки, по прямой линии
- Чрезмерное надавливание, или если круг согнулся или застрял в разрезе, может привести двигатель к перегреву, а инструмент к эффекту отдачи.
- Когда глубина реза составляет более 20 мм в глубину, сделайте 2 или 3 отдельных разреза, чтобы предотвратить отказ двигателя.

**Предостережение!** Этот инструмент должен использоваться только на горизонтальных поверхностях.

## Обслуживание

Ваш электроинструмент STANLEY был разработан для работы в течение длительного периода времени при минимальном техническом обслуживании. Срок службы и надежность обеспечиваются правильным уходом и регулярной чисткой. Не ремонтируйте инструмент самостоятельно. Пожалуйста, сдавайте ваш инструмент в авторизованный сервисный центр STANLEY для регулярного технического обслуживания и ремонта, а также если наблюдаются незначительные изменения в его производительности.

### Угольные щетки (рис. F)

- Снимите и проверьте угольные щетки.
- Замените, если они изношены до 6 мм или меньше.
- Держите угольные щетки в чистоте для свободного движения в держателе. Обе угольные щетки должны заменяться одновременно.
- Используйте только угольные щетки STANLEY.
- Используйте отвертку, чтобы удалить колпачки щеток (5).
- Удалите изношенные щетки, вставьте новые и закрепите колпачки щеток.

### Чистка

**Предостережение!** Отключите инструмент, прежде чем использовать ткань для очистки корпуса. При работающем двигателе, выдуть грязь и пыль из всех вентиляционных отверстий при помощи сухого воздуха, по крайней мере один раз в неделю. Носите защитные очки при выполнении этой процедуры. Внешние пластмассовые детали могут быть очищены влажной тряпкой и мягким моющим средством. Хотя эти части очень устойчивы к воздействию растворителей, никогда не используйте растворители.

### Уход за инструментом

Избегайте перегрузки электроинструмента. Перегрузка может привести к значительному снижению скорости, эффективности и перегреву. В этом случае запустите инструмент без нагрузки в течение минуты-двух, пока он не остынет до нормальной рабочей температуры с помощью встроенного вентилятора. Включение и выключение вашего инструмента, находящегося под нагрузкой, значительно сократит срок службы инструмента.

### Важно

Для обеспечения безопасности и долговечности изделия, ремонт, уход и регулировка (кроме тех, которые перечислены в настоящем руководстве) должны выполняться в авторизованных сервисных

центрах или других квалифицированных организациях, всегда с использованием оригинальных запасных частей. Устройство не содержит частей, которые бы мог обслуживать сам пользователь.

### Аксессуары

Производительность любого инструмента зависит от используемых аксессуаров. Аксессуары STANLEY разработаны в соответствии с высокими стандартами качества и изготовлены из лучших материалов. Строгие испытания проводятся до того, как аксессуары выпускаются на рынок. Они предназначены для повышения производительности электроинструментов. Покупайте аксессуары STANLEY, чтобы повысить эффективность работы электроинструментов STANLEY. Рекомендуемые аксессуары STANLEY можно приобрести у местных официальных дилеров и в сервисных центрах. STANLEY предлагает большой выбор аксессуаров.

**Примечание:** Используйте только круги рассчитанные по крайней мере для максимальной скорости, указанной на инструменте.



**Предостережение!** Не рекомендуется использование других аксессуаров с этим инструментом, поскольку это может быть опасно.



**Предостережение!** Там, где должны использоваться только камнерезные алмазные круги, не используйте шлифовальные или зубчатые круги.

### Информационная служба

STANLEY предлагает полную сеть авторизованных сервисных центров, принадлежащих компании. Все сервисные центры STANLEY укомплектованы персоналом, прошедшим обучение, чтобы предоставить клиентам эффективный и надежный сервис по обслуживанию электроинструментов. Для получения дополнительной информации о авторизованных сервисных центрах или если вам нужен технический совет, ремонт или оригинальные запасные части, вам необходимо обратиться в ближайший сервисный центр STANLEY.

## Спецификации

STSP125		
Мощность	W	1320
Напряжение	V	220-240
Частота	Hz	50/60
Скорость холостого хода	/мин	13500 (об/мин)
Диаметр круга	мм	125
Глубина реза	мм	41
Масса	кг	3,1

## Два год полной гарантии

Если ваш продукт STANLEY выходит из строя из-за дефектных материалов или изготовления в течение 24 месяцев с даты покупки, STANLEY Europe гарантирует замену всех неисправных деталей бесплатно или - по своему усмотрению - замену продукта бесплатно при условии, что:

- Продукт использовался правильно, его эксплуатация проводилась строго в соответствии с инструкцией по эксплуатации.
- Продукт подвергался естественному износу;
- Ремонт не проводился посторонними лицами;
- Представлены документы, подтверждающие покупку.
- Продукт STANLEY возвращается в полном комплекте со всеми оригинальными компонентами

## Защита окружающей среды



Раздельный сбор и утилизация. Этот продукт не следует утилизировать вместе с бытовым мусором.

Если вы поймете, что ваш продукт Stanley нуждается в замене, или если он не имеет никакого дальнейшего применения для вас, не выбрасывайте его вместе с бытовыми отходами. Предоставьте этот продукт для раздельного сбора/утилизации.



Раздельный сбор продуктов и упаковок позволяет осуществить их переработку и использовать их повторно. Повторное

использование переработанных материалов помогает защищать окружающую среду от загрязнения и снижает расход сырьевых материалов.

Местное законодательство может обеспечить сбор старых электроинструментов отдельно от бытового мусора на муниципальных свалках отходов или в торговом предприятии при покупке нового изделия. Stanley обеспечивает возможность для сбора и утилизации продуктов Stanley, как только они достигли конца своего срока службы. Для того чтобы воспользоваться этой услугой, вы можете сдать ваше изделие в любой авторизованный сервисный центр, который собирает их по нашему поручению.

Вы можете узнать место нахождения вашего ближайшего авторизованного сервисного центра, обратившись в местное отделение Stanley по адресу, указанному в данном руководстве. Кроме того, список авторизованных ремонтных агентов Stanley и полную информацию о нашем послепродажном обслуживании и контактах вы можете найти в Интернете: [www.2helpU.com10](http://www.2helpU.com10)

Если вы хотите сделать заявку, свяжитесь с продавцом или узнайте место нахождения вашего ближайшего авторизованного сервисного агента Stanley в каталоге Stanley или обратитесь в местное представительство Stanley по адресу, указанному в данном руководстве. Список авторизованных сервисных агентов Stanley и полную информацию о нашем послепродажном обслуживании можно найти в Интернете по адресу: [www.stanleytools.com](http://www.stanleytools.com)

## STANLEY

### Гарантийные условия

#### Уважаемый покупатель!

1. Поздравляем Вас с покупкой высококачественного изделия STANLEY и выражаем признательность за Ваш выбор.
2. При покупке изделия требуйте проверки его комплектности и исправности в Вашем присутствии, инструкцию по эксплуатации и заполненный гарантийный талон на русском языке.  
В гарантийном талоне должны быть внесены: модель, дата продажи, серийный номер, дата производства инструмента; название, печать и подпись торговой организации. При отсутствии у Вас правильно заполненного гарантийного талона, а также несоответствия указанных в нем данных мы будем вынуждены отклонить Ваши претензии по качеству данного изделия.
3. Во избежание недоразумений убедительно просим Вас перед началом работы с изделием внимательно ознакомиться с инструкцией по его эксплуатации. Правовой основой настоящих гарантийных условий является действующее Законодательство. Гарантийный срок на данное изделие составляет 24 месяца и исчисляется со дня продажи. В случае устранения недостатков изделия, гарантийный срок продлевается на период его нахождения в ремонте. Срок службы изделия составляет 5 лет со дня продажи.
4. В случае возникновения каких-либо проблем в процессе эксплуатации изделия рекомендуем Вам обратиться только в уполномоченные сервисные центры STANLEY, адреса и телефоны которых Вы сможете найти в гарантийном талоне, на сайте [www.2helpU.com](http://www.2helpU.com) или узнать в магазине. Наши сервисные станции - это не только квалифицированный ремонт, но и широкий ассортимент запчастей и принадлежностей.
5. Производитель рекомендует проводить периодическую проверку и техническое обслуживание изделия в уполномоченных сервисных центрах.

# EAC

Изготовитель

Блэк энд Деккер Холдингс ГмБХ  
Германия, 65510, Идштайн,  
ул. Блэк энд Деккер, 40

6. Наши гарантийные обязательства распространяются только на неисправности, выявленные в течение гарантийного срока и вызванные дефектами производства и/или материалов.
7. **Гарантийные условия не распространяются на неисправности изделия, возникшие в результате:**
  - 7.1. Несоблюдения пользователем предписаний инструкции по эксплуатации изделия, применения изделия не по назначению, неправильном хранении, использования принадлежностей, расходных материалов и запчастей, не предусмотренных производителем.
  - 7.2. Механического повреждения (сколы, трещины и разрушения) внутренних и внешних деталей изделия, основных и вспомогательных рукояток, сетевого электрического кабеля, вызванного внешним ударным или любым иным воздействием
  - 7.3. Попадания в вентиляционные отверстия и проникновение внутрь изделия посторонних предметов, материалов или веществ, не являющихся отходами, сопровождающими применение изделия по назначению, такими как: стружка, опилки, песок, и пр.
  - 7.4. Воздействий на изделие неблагоприятных атмосферных и иных внешних факторов, таких как дождь, снег, повышенная влажность, нагрев, агрессивные среды, несоответствие параметров питающей электросети, указанных на инструменте.
  - 7.5. Стихийного бедствия. Повреждение или утрата изделия, связанное с непредвиденными бедствиями, стихийными явлениями, в том числе вследствие действия непреодолимой силы (пожар, молния, потоп и другие природные явления), а так же вследствие перепадов напряжения в электросети и другими причинами, которые находятся вне контроля производителя.
8. **Гарантийные условия не распространяются:**
  - 8.1. На инструменты, подвергавшиеся вскрытию, ремонту или модификации вне уполномоченного сервисного центра.
  - 8.2. На детали и узлы, имеющие следы естественного износа, такие как: приводные ремни и колеса, угольные щетки, смазка, подшипники, зубчатое зацепление редукторов, резиновые уплотнения, сальники, направляющие ролики, муфты, выключатели, бойки, толкатели, стволы, и т.п.
  - 8.3. На сменные части: патроны, цанги, зажимные гайки и фланцы, фильтры, аккумуляторные батареи, ножи, шлифовальные подошвы, цепи, звездочки, пыльные шины, защитные кожухи, пилки, абразивы, пыльные и абразивные диски, фрезы, сверла, буры и т.п.
  - 8.4. На неисправности, возникшие в результате перегрузки инструмента (как механической, так и электрической), повлекшей выход из строя одновременно двух и более деталей и узлов, таких как: ротора и статора, обоих обмоток статора, ведомой и ведущей шестерни редуктора или других узлов и деталей. К безусловным признакам перегрузки изделия относятся, помимо прочих: появление цветов побежалости, деформация или оплавление деталей и узлов изделия, потемнение или обугливание изоляции проводов электродвигателя под воздействием высокой температуры.

FIG. A

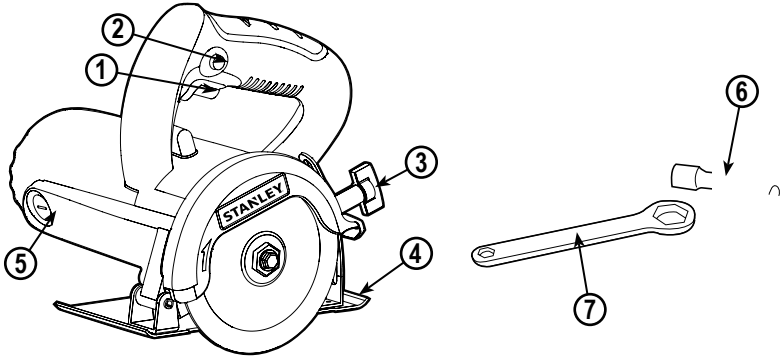


FIG. B

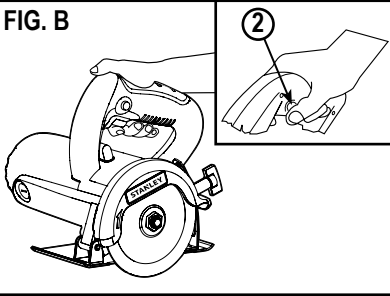


FIG. C

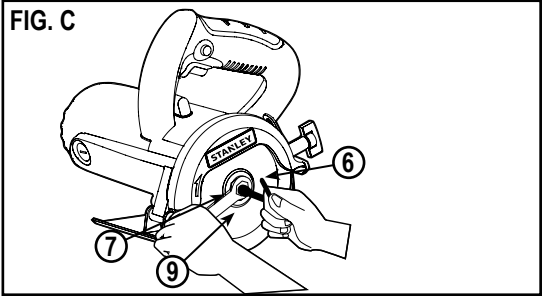


FIG. D

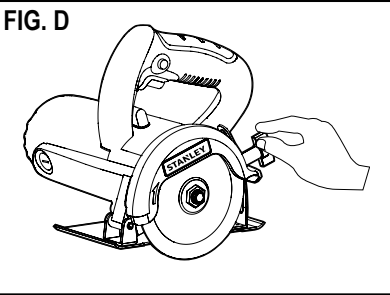


FIG. E

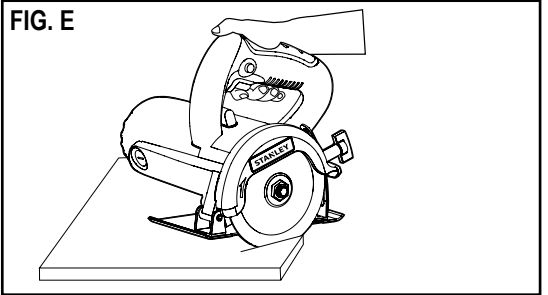
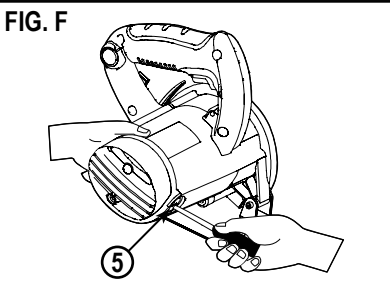


FIG. F



**НЕ ПОВЕРТАЙТЕ ЦЕЙ ВИРІБ В МАГАЗИН,**  
спочатку зверніться у місцевий офіс STANLEY або в  
найближчий авторизований сервісний центр.

## Загальні правила техніки безпеки



**Увага!** Прочитайте і зрозумійте всі інструкції. Недотримання будь-яких інструкцій, зазначених нижче, може призвести до ураження електричним струмом, пожежі та/або серйозної травми.

## ЗБЕРЕЖІТЬ ЦІ ІНСТРУКЦІЇ

### Правила техніки безпеки

Загальні попередження з техніки безпеки електроінструментів



**Увага!** Ознайомтеся з усіма правилами безпеки та інструкціями. Недотримання попереджень та інструкцій, зазначених нижче, може призвести до ураження електричним струмом, пожежі та/або серйозної травми.

**Збережіть всі попередження та інструкції для майбутнього використання.**

Термін "електроінструмент" у всіх попередженнях, зазначених нижче, відноситься до мережевого (з кабелем) електроінструменту або акумуляторної батареї (без кабелю живлення).

### 1. Безпека робочого місця

- Утримуєте робоче місце в чистоті і добре освітленим.** Безлад на робочому місці або відсутність освітлення робочого місця може призвести до аварії.
- Не працюйте з електроінструментом в місці зберігання вибухонебезпечних матеріалів, наприклад, у присутності легкозаймистих рідин, газів або пилу.** Електричні інструменти створюють іскри, що можуть запалити пил або пари.
- Діти і сторонні особи повинні знаходитися якнайдалі під час роботи з електроприладами.** Ви можете відволіктися і втратити контроль.

### 2. Електробезпека

- Вилка електроінструмента повинна відповідати розетці. Ніколи не змінюйте вилку будь-яким чином. Не використовуйте ніякі вилки-перехідники з заземленими (замкнутими на землю) електроінструментами.** Вилки і розетки, які не піддавалися ніяким змінам знижують ризик ураження електричним струмом.
- Уникайте контакту тіла з заземленими поверхнями, такими як труби, радіатори, плити та холодильники.** Існує підвищений ризик ураження електричним струмом, якщо ваше тіло заземлене.
- Уникайте будь-якого впливу дощу або вологи на електроінструменти.** Вода, що потрапила в

електроінструмент, збільшує ризик ураження електричним струмом.

- Обережно поводьтеся зі шнуром живлення. Ніколи не використовуйте шнур живлення для перенесення, переміщення або вилучення вилки з розетки. Тримайте шнур подалі від джерел тепла, масла, гострих країв або рухомих частин.** Пошкоджені або заплутані шнури збільшують ризик ураження електричним струмом.
  - При роботі з електроінструментом на вулиці, використовуйте подовжувач, відповідний для зовнішнього використання.** Використання кабелю, придатного для використання на відкритому повітрі, знижує ризик ураження електричним струмом.
  - При необхідності роботи з електроінструментом у вологому середовищі, використовуйте пристрій захисного відключення (ПЗВ).** Використання ПЗВ знижує ризик ураження електричним струмом. Примітка: Термін "пристрій захисного відключення (ПЗВ)" може бути замінений на "аварійний переривач заземлення" або "автоматичний вимикач струму витоку".
- ### 3. Особиста безпека
- Будьте уважні, дивіться, що ви робите, використовуйте здоровий глузд при роботі з електроприладами. Не використовуйте електроінструмент, якщо ви втомилися або перебуваєте під впливом наркотиків, алкоголю або ліків.** Найменша необережність при роботі з електроінструментом може призвести до серйозних травм.
  - Використовуйте засоби індивідуального захисту. Завжди надягайте захисні окуляри.** Інше захисне обладнання, включаючи респіратор, черевки на нековзній підшві, захисний шолом або засоби захисту органів слуху, використовувані в належних умовах, зменшать ризик отримання травми.
  - Для запобігання випадкового запуску, переконайтеся, що перемикач знаходиться у вимкненому положенні перед підключенням до джерела живлення та/або акумуляторної батареї, підняття або перенесення інструменту.** Не переносьте електроінструмент з пальцем на вимикачі і не включайте електроживлення на інструмент з увімкненим вимикачем, що може призвести до нещасного випадку.
  - Перед включенням електроінструменту знімайте регулювальний або гайковий ключ.** Гайковий або регулювальний ключ, залишений на обертовій частині електроінструменту, може призвести до травми.
  - Не тягніться. Зберігайте правильну стійку і баланс весь час.** Це дозволяє краще контролювати інструмент в несподіваних ситуаціях.
  - Одягайтеся правильно. Не надягайте вільний одяг або прикраси. Тримайте волосся, одяг і**

рукавички далеко від рухомих частин. Вільний одяг, прикраси або довге волосся можуть потрапити в рухомі частини.

- g. Якщо є пристрої для підключення пилосбірника або витяжки, переконайтеся в тому, що вони під'єднані і використовуються правильно. Використання пилосбірника знижує ймовірність виникнення ризиків, пов'язаних з пилом.
4. Використання та догляд за електроінструментом
  - a. Не перевантажуйте електроінструмент. Використовуйте відповідний електричний інструмент для відповідного застосування. Правильно підібраний електроінструмент дозволить виконати роботу краще і безпечніше при швидкості, для якої він був розроблений.
  - b. Не використовуйте електроінструмент, якщо перемикач не може його включити і вимкнути. Будь-який електроінструмент, який не можна контролювати за допомогою перемикача, є небезпечний і повинен бути відремонтований.
  - c. Від'єднайте кабель живлення від джерела живлення та/або акумулятора від електричного інструменту перед виконанням будь-яких регулювань, заміни приладдя або при зберіганні електроінструменту. Такі профілактичні заходи безпеки зменшують ризик ненавмисного запуску електричного інструменту.
  - d. Зберігайте електроприлади в недоступному для дітей місці і не дозволяйте особам, які не знайомі з електричним інструментом або даними інструкціями, працювати з електроприладами. Електроінструменти небезпечні в руках недосвідчених користувачів.
  - e. Підтримання електроінструменту. Перевіряйте розрегульованість або з'єднання рухомих частин, поломки частин і будь-які інші умови, які можуть вплинути на роботу електроінструменту. При наявності пошкодження, відремонтуйте електроінструмент перед використанням. Багато нещасних випадків є наслідком поганого догляду за електроінструментом.
  - f. Тримайте ріжучий інструмент гострим і чистим. Добре доглянутий ріжучий інструмент з гострими ріжучими краями легше контролювати.
  - g. Використовуйте електроінструмент, аксесуари та свердла відповідно до даних інструкцій і в порядку, призначеному для конкретного типу електричного інструменту, беручи до уваги умови роботи і характер виконуваної роботи. Використання електричного інструменту для операцій, які відрізняються від тих, для яких він призначений може призвести до небезпечної ситуації.

## 5. Обслуговування

- a. Забезпечте, щоб обслуговування і ремонт вашого електроінструменту проводився в авторизованому сервісному центрі по ремонту з використанням тільки оригінальних запасних частин. Це стане гарантією безпеки електроінструменту.

## Інструкції з техніки безпеки для абразивного різання Правила безпеки для ріжучих інструментів

- a) Кожух, що поставляється з інструментом повинен бути надійно прикріплений до електроінструменту і встановлений для максимальної безпеки, так, щоб щонайменше коло було видно оператору. Розташуйтеся так, щоб ви і інші люди були якомога далі від площини обертання круга. Кожух допомагає захистити оператора від травм, які можуть завдати зламани фрагменти і випадковий контакт з диском.
- b) Використовуйте тільки круги з алмазним напильником для вашого електроінструменту. Той факт, що аксесуар може бути підключений до електроінструменту, не дає ніякої гарантії безпеки роботи.

Примітка: використовуйте формулювання "алмазний" залежно від призначення інструменту.

- c) Номінальна швидкість аксесуара повинна бути щонайменше дорівнюватися максимальній швидкості, позначеній на інструменті. Аксесуари, що працюють швидше, ніж їх номінальна швидкість можуть зламатися і розлетітися.
- d) Круги повинні бути використані тільки для рекомендованих додатків. Наприклад: не різати бічною частиною відрізного круга. Абразивні відрізні круги призначені для периферійного шліфування, бічні сили, прикладені до цих кіл можуть привести до їх руйнування.
- e) Завжди використовуйте неушкоджені фланці круга правильного діаметру. Фланці круга правильного розміру підтримують круг, таким чином, зменшуючи можливість його поломки.
- f) Не використовуйте зношені кола від великих електроінструментів. Круги, призначені для електроінструментів великого розміру не підходять для більш високої швидкості кругів для інструментів меншого розміру і можуть лопнути.

Примітка: вищевказане попередження не поширюється для інструментів призначених для використання тільки з алмазними кругами.

- g) Зовнішній діаметр і товщина аксесуара повинна бути в межах номінальних потужностей вашого інструменту. Аксесуари неправильного розміру не можуть бути адекватно захищені або контролюватися.



- h) Розмір шпинделя і фланців круга повинні відповідати шпindelю електроінструменту.** Круги і фланці з отворами для шпинделя, які не відповідають монтажному обладнанню, при роботі з електроінструментом можуть вийти з рівноваги, надмірно вібрувати і привести до втрати управління.
- i) Не використовуйте пошкоджені круги.** Перед кожним використанням перевірте круги на наявність відколів і тріщин. Якщо електроінструмент або коло впало, перевірте їх на наявність пошкоджень або встановіть неушкоджений круг. Після перевірки і установки круга, всантьте так, щоб ви і інші люди були максимально далеко від площини обертання круга. Запустивши електроінструмент, дайте йому попрацювати на холостому ході при максимальній швидкості протягом однієї хвилини. Пошкоджені диски, як правило, розпадаються протягом цього часу випробувань.
- j) Одягайте засоби індивідуального захисту.** Залежно від застосування, використовуйте захисну маску і захисні окуляри. У разі необхідності використовуйте захисну маску, засоби захисту слуху, рукавички і спеціальний фартух, які здатні зупинити дрібні абразиви або фрагменти деталей. Засоби захисту очей повинні бути здатні зупинити сміття в процесі роботи. Маска або респіратор повинні бути здатні фільтрувати частки пилу, утворені в процесі вашої роботи. Тривала дія шуму високої інтенсивності може призвести до втрати слуху.
- k) Переконайтеся, що люди, що знаходяться в робочій зоні, перебували на безпечній відстані від робочої зони.** Будь-яка особа, яка входить в робочу зону, має бути одягнена в засоби індивідуального захисту. Фрагменти деталей або розбитого круга можуть відлетіти і заподіяти травму в безпосередній близькості від експлуатації.
- l) Тримайте інструмент за ізольовані ручки при виконанні роботи, коли ріжучий інструмент може контактувати з прихованою проводкою або своїм власним шнуром.** Контакт з "працюючим" проводом зробить відкриті металеві частини інструменту провідними, і оператора може вдарили електричним струмом.
- m) Розташуйте кабель далеко від обертового аксесуара.** Якщо ви втрачаєте контроль, шнур може бути розрізаний або зацелиться і ваша рука або руки можуть бути втягнуті у обертовий круг.
- n) Ніколи не кладіть електроінструмент, поки аксесуар не прийшов до повної зупинки.** Обертове коло може захопити поверхню і вивести електроінструмент з під вашого контролю.
- o) Не заводьте електроінструмент, якщо він знаходиться на вашою боці.** При випадковому контакті з обертовим аксесуаром може затягнути ваш одяг.
- p) Регулярно очищайте вентиляційні прорізи електроінструменту.** Вентилятор двигуна буде нагнітати пил усередині корпусу, і надмірне накопичення металевих порошоків може викликати ураження електричним струмом.
- q) Не використовуйте електроінструмент поблизу легкозаймистих матеріалів.** Іскри можуть запалити ці матеріали.
- r) Не використовуйте аксесуари, які вимагають охолоджуючих рідин.** Використання води або інших охолоджуючих рідин може призвести до ураження електрострумом.

**Примітка:** вищевказане попередження не поширюється на електроінструменти, спеціально призначені для використання з вологими системами.

**Подальші інструкції з техніки безпеки для різання абразивними кругами Віддача і пов'язані з нею попередження**

Віддача це - раптова реакція на защемлення або застрягання обертового диска. Защемлення або застрягання викликає швидкий зрив обертового диска, який в свою чергу змушує неконтрольований електроінструмент рухатися в напрямку, протилежному напрямку обертання колеса в точці прив'язки.

Наприклад, якщо абразивний круг зачепився або його защемило у заготівлі, край круга входить в точку прив'язки і може увійти в поверхню матеріалу, в результаті чого круг вискакує. Круг може відскочити до або від оператора, в залежності від напрямку обертання круга в точці защемлення. Абразивні кола можуть також зламатися при таких умовах.

Віддача є результатом неправильного використання інструменту та/або неправильних дій оператора або умов, її можна уникнути, прийнявши відповідні запобіжні заходи, як зазначено нижче.

- a) Міцно тримайте інструмент обома руками і переконайтеся, що положення вашого тіла і рук дозволить вам протистояти впливу зворотного удару (віддачі).** Оператор може контролювати силу віддачі, якщо прийняті відповідні запобіжні заходи.
- b) Ніколи не тримайте руки поблизу обертового аксесуара.** Аксесуар може дати віддачу по вашій руці.
- c) Не розміщуйте ваше тіло в одну лінію з обертовим колесом.** Віддача буде рухати інструмент в напрямку, протилежному руху кола в точці зачеплення.
- d) Використовуйте особливу обережність при обробці кутів, гострих кромок і т.д.** Уникайте вискакування аксесуара. Кути, гострі краї або підстрибування часто ведуть до застрягання обертового аксесуара і втрати управління або віддачі.



- e) Не присднуйте пиляльний ланцюг, круг для різання по дереву, сегментований алмазний круг з периферійним зором або зубчастий пильний круг більше, ніж на 10 мм. Такий круг створює часту віддачу і втрату контролю.
- f) Не затискайте круг і не прикладайте надмірне натискання. Не намагайтеся зробити надмірно глибокий розріз. Перевантаження круга збільшує навантаження і сприйнятливість до скручування або затисканню круга в розрізі і можливість віддачі або поломки кола.
- g) Коли диск пилки застряє або з якої-небудь причини відбувається збій під час розпилу, відпустіть курок і утримуйте пилку нерухомо в матеріалі, поки диск повністю не зупиниться. Ніколи не намагайтеся видалити пилку під час роботи і не тягніть її назад в той час, коли диск знаходиться в руці, так як це може призвести до віддачі. Слід зрозуміти причину і вжити корегуючі дії з метою усунення причин затискання диска.
- h) Не перевантажуйте операцію різання на оброблюваній деталі. Дайте кругу набрати повну швидкість і обережно повторно увійти в розріз. Круг може застрягти, вискочити вгору або дати віддачу, якщо електроінструмент буде перезапущено у заготівлі.
- i) Підтримуйте панелі або заготівлі великого розміру для зведення до мінімуму ризику утиску диска і віддачі. Великі заготовки, як правило, прогинаються під власною вагою. Підтримка повинна бути поміщена під заготівлю поруч з лінією різі і біля краю панелі з обох сторін круга.
- j) Будьте особливо обережні при виконанні "кишенькового різання" в існуючих стінах або інших сліпих зонах. Виступаючі круги можуть відрізати газо- або водопроводи, пошкодити електропроводку або об'єкти, які можуть призвести до виникнення віддачі.
- Завжди тримайте руки подалі від області різання і алмазного круга. Завжди тримайте іншу руку на бічній рукоятці. Якщо ви тримаєте інструмент обома руками, ви не отримаєте поранення від круга.
  - Не торкайтесь нижньої частини деталі, оскільки кожух не може захистити частину круга під заготівлю.
  - Завжди використовуйте алмазний круг з відповідним розміром і центром (алмазної або круглої форми). Невідповідність кола і утримувача призведе до ексцентричної роботи і втрати контролю.
  - Не використовуйте шайбу або болт, який пошкоджений або непридатний за розміром; в іншому випадку ви втратите контроль під час роботи.
  - Не використовуйте абразивний круг.
  - Не використовуйте алмазний круг, який не відповідає рекомендованим виробником параметрам.
  - Не використовуйте ріжучий диск, який був пошкоджений або має тріщини.
  - Не використовуйте інструмент без встановленого кожуха.
  - Не заводьте інструмент з ріжучим кругом, який торкається заготівлі.
  - Після виключення інструменту, покладіть інструмент тільки після того, як ріжучий диск повністю зупиниться. Не застосовуйте силу для зупинки круга.
  - Вимкніть інструмент від джерела живлення і переконайтеся, що алмазний диск нерухомий перед його заміною, регулюванням глибини різання або проведенням ремонту.
  - Тримайте інструмент тільки за ізольовані ручки, в тому випадку, якщо алмазний коло випадково розріже приховані дроти або власний кабель. Якщо алмазний коло стосується працюючого дроти, відкриті металеві частини електроінструменту можуть стати провідником, що може призвести до ураження оператора електричним струмом.
  - Будьте особливо обережні під час "сліпого різання" крізь стіни або інші сліпі зони, тому що алмазний коло може розізати газо- або водопровід та інші пружні об'єкти.






### Додаткові заходи безпеки для мармурового різачка



**Застереження!** Не торкайтесь до неізольованих металевих частин інструменту при різанні через стіни і підлоги або при контакті з електропроводкою. Тримайте інструмент за ізольовані поверхні при виконанні дій, при яких ріжучий інструмент може контактувати з прихованою проводкою або власним кабелем. Контакт з "працюючим" проводом зробить відкриті металеві частини інструменту провідними, і це призведе до поразки оператора електричним струмом.

## 6. Етикетки на інструменті

Етикетки на вашому інструменті можуть включати такі символи:

	Читайте інструкції з експлуатації	Гц ..... Герц		..... Конструкція класу II
	Використовуйте засоби захисту очей	Вт ..... Ватт		..... Термінал заземлення
	Використовуйте засоби захисту органів слуху	мин ..... хвилини		..... Символ попередження про небезпеку
			..... Постійний струм	хв.. обороти або зворотно-поступальний рух у хвилину
			..... Постійний струм	
V ..... Вольт	p <sub>0</sub> ..... Швидкість без навантаження			
A ..... Ампер				


## Положення дати штрих-коду


Дата коду, який також включає рік виготовлення, друкується на корпусі.

Приклад:

2014 XX JN  
Рік виготовлення

## 7. Електрична безпека

 Ваш інструмент має подвійну ізоляцію, саме в цьому зв'язку заземлюючий провід не потрібен. Завжди перевіряйте, що напруга мережі відповідає напрузі, вказаній на табличці.

 **Увага!** Якщо шнур живлення пошкоджений, він повинен бути замінений виробником в авторизованому сервісному центрі STANLEY або кваліфікованим фахівцем для того, щоб уникнути пошкодження або травми. Якщо шнур живлення замінений кваліфікованим фахівцем, не уповноваженим STANLEY, гарантія не діятиме.

## Використання подовжувача

Подовжувач може бути використаний тільки в разі крайньої необхідності. Використання невідповідного подовжувального кабелю може призвести до виникнення пожежі та ураження електричним струмом. Якщо необхідно використовувати подовжувач, використовуйте тільки ті моделі, які схвалені державним органом з контролю за електрикою. Переконайтеся, що кабель-подовжувач знаходиться в хорошому стані перед використанням. Завжди використовуйте кабель, який підходить для живлення вашого інструменту (див. технічні дані на табличці). Мінімальний розмір провідника становить 1,5 мм<sup>2</sup>.

## Характеристики (мал. А)

1. Перемикач вкл./викл.
2. Кнопка блокування

3. Гвинт-баранчик
4. Основа
5. Кришка щітки
6. Торцевий ключ
7. Гучний ключ

## Монтаж і налагодження



**Застереження!** Перед складанням і регулюванням, завжди відключайте інструмент.

### Установка і зняття алмазного круга (рис. С)

- Вставте алмазний круг (9) в шпindel.
- Із зовнішнього боку фланця затягніть (7) гвинт проти годинникової стрілки за допомогою торцевого ключа (6).
- Надійно затягніть зажим гвинта.
- Використовуйте лише рекомендовані алмазні кола з правильним розміром отвору.
- зняття
- Виконайте процедуру у зворотному порядку.

### Регулювання глибини різання (мал. D)

- Щоб збільшити або зменшити глибину різання, звільніть гвинт-баранчик (3), перемістіть основу (4), щоб відрегулювати глибину і затягніть гвинт, щоб закріпити глибину.
- Для запобігання несправності інструменту, ручка регулювання глибини різання була встановлена в оптимальне положення на заводі за замовчуванням.

**Примітка:** Користувач може також встановити ручку в бажане положення в будь-який час.

## Використання



**Застереження!** Завжди дотримуйтесь інструкції з техніки безпеки, а також відповідні правила.



**Застереження!** Переконайтеся, що гвинт-баранчик (3) правильно закріплений перед початком експлуатації інструменту.

### Вмикання і вимикання (мал. В)

- Щоб включити інструмент, натисніть перемикач вкл./викл. (1).
- Щоб включити інструмент, відпустіть перемикач вкл./викл. (1).

- Цей інструмент має функцію блокування. Для активації, натисніть перемикач вкл./викл., а потім кнопку блокування (2). Щоб відключити, знову натисніть перемикач вкл./викл.



**Застереження!** Завжди вимикайте інструмент і електроживлення, після закінчення роботи.

### Різка (мал. Е)

- Зіставте передню кромку підстави з лінією різки на заготівлі.
- Тримайте інструмент міцно.
- Встановіть основу на заготівлі, щоб не було контакту з кругом
- Увімкніть інструмент та почекайте, поки круг не набере повну швидкість.
- Плавню рухайте інструмент вперед по поверхні заготовки, по прямій лінії
- Надмірне натискання, або якщо круг зігнувся або застряг в розрізі, може призвести двигун до перегріву, а інструмент до ефекту віддачі.
- Коли глибина різку складає більше 20 мм в глибину, зробіть 2 або 3 окремих розрізу, щоб запобігти відмові двигуна.

**Застереження!** Цей інструмент повинен використовуватися тільки на горизонтальних поверхнях.

### Обслуговування

Ваш електроінструмент STANLEY був розроблений для роботи протягом тривалого періоду часу при мінімальному технічному обслуговуванні. Термін служби і надійність забезпечуються правильним доглядом і регулярним чищенням. Не ремонтуйте інструмент самостійно. Будь ласка, здавайте ваш інструмент в авторизований сервісний центр STANLEY для регулярного технічного обслуговування та ремонту, а також якщо спостерігаються незначні зміни в його продуктивності.

### Вугільні щітки (мал. F)

- Зніміть і перевірте вугільні щітки.
- Замініть, якщо вони зношені до 6 мм або менше.
- Тримайте вугільні щітки в чистоті для вільного руху в утримувачі. Обидві вугільні щітки повинні замінюватися одночасно.

- Використовуйте тільки вугільні щітки STANLEY.
- Використовуйте викрутку, щоб видалити ковпачки щіток (5).
- Видаліть зношені щітки, вставте нові та закріпіть ковпачки щіток.

### Чищення



**Застереження!** Вимкніть інструмент, перш ніж використовувати тканину для очищення корпусу. При працюючому двигуні, видути бруд і пил з усіх вентиляційних отворів за допомогою сухого повітря, принаймні один раз на тиждень. Носіть захисні окуляри при виконанні цієї процедури. Зовнішні пластмасові деталі можуть бути очищені вологою ганчіркою і м'яким миючим засобом. Хоча ці частини дуже стійкі до впливу розчинників, ніколи не використовуйте розчинники.

### Догляд за інструментом

Уникайте перевантаження електроінструменту. Перевантаження може привести до значного зниження швидкості, ефективності та перегріву. У цьому випадку запустіть інструмент без навантаження протягом хвилини-двох, поки він не охолоне до нормальної робочої температури за допомогою вбудованого вентилятора. Вмикання і вимикання вашого інструменту, що знаходиться під навантаженням, значно скоротить термін служби інструменту.

### Важливо

Для забезпечення безпеки і довговічності виробу, ремонт, догляд та регулювання (крім тих, які перераховані в цьому посібнику) повинні виконуватися в авторизованих сервісних центрах або інших кваліфікованих організаціях, завжди з використанням оригінальних запасних частин. Пристрій не містить частин, які б міг обслуговувати сам користувач.

### Аксесуари

Продуктивність будь-якого інструменту залежить від використовуваних аксесуарів. Аксесуари STANLEY розроблені у відповідності з високими стандартами якості та виготовлені з кращих матеріалів. Суворі випробування проводяться до того, як аксесуари випускаються на ринок.

Вони призначені для підвищення продуктивності електроінструментів. Купуйте аксесуари STANLEY, щоб підвищити ефективність роботи електроінструментів STANLEY. Рекомендовані аксесуари STANLEY можна придбати у місцевих офіційних дилерів і в сервісних центрах. STANLEY пропонує великий вибір аксесуарів.

**Примітка:** Використовуйте тільки круги розраховані принаймні для максимальної швидкості, зазначеної на інструменті.



**Застереження!** Не рекомендується використання інших аксесуарів з цим інструментом, оскільки це може бути небезпечно.



**Застереження!** Там, де повинні використовуватися тільки каменерізні алмазні круги, не використовуйте шліфувальні або зубчасті кола.

## Інформаційна служба

STANLEY пропонує повну мережу авторизованих сервісних центрів, що належать компанії. Всі сервісні центри STANLEY укомплектовані персоналом, який пройшов навчання, щоб надати клієнтам ефективний і надійний сервіс з обслуговування електроінструментів. Для отримання додаткової інформації про авторизовані сервісні центри або якщо вам потрібна технічна рада, ремонт або оригінальні запасні частини, вам необхідно звернутися в найближчий сервісний центр STANLEY.

## Специфікації

STSP125		
Потужність	W	1320
Напруга	V	220-240
Частота	Hz	50/60
Швидкість холостого ходу /хвил.		13500 (об/мин)
Діаметр круга	мм	125
Глибина різь	мм	41
Вага	кг	3,1

## Захист навколишнього середовища



Роздільний збір і утилізація. Цей продукт не слід утилізувати разом з побутовим сміттям.

Якщо ви зрозумієте, що ваш продукт Stanley потребує заміни, або якщо він не має ніякого подальшого застосування для вас, не викидайте його разом з побутовими відходами. Надайте цей продукт для роздільного збору/утилізації.



Роздільний збір продуктів і упаковок дозволяє здійснити їх переробку і використати їх повторно. Повторне використання

перероблених матеріалів допомагає захищати довкілля від забруднення і знижує витрату сировинних матеріалів.

Міське законодавство може забезпечити збір старих електроінструментів окремо від побутового сміття на муніципальних звалищах відходів або в торговому підприємстві при купівлі нового виробу. Stanley забезпечує можливість для збору і утилізації продуктів Stanley, як тільки вони досягли кінця свого терміну служби. Для того, щоб скористатися цією послугою, ви можете здати ваш виріб у будь-який авторизований сервісний центр, який збирає їх за нашим дорученням.

Ви можете упізнати місце знаходження вашого найближчого авторизованого сервісного центру, звернувшись в міське відділення Stanley за адресою, вказану в цьому керівництві. Крім того, список авторизованих ремонтних агентів Stanley і повну інформацію про наше післяпродажне обслуговування і контакти ви можете знайти в Інтернеті: [www.2helpu.com10](http://www.2helpu.com10)

## Два рік повної гарантії

Якщо ваш продукт STANLEY виходить з ладу із-за дефектних матеріалів або виготовлення впродовж 24 місяців з дати купівлі, STANLEY Europe гарантує заміну усіх несправних деталей безкоштовно або - на власний розсуд - заміну продукту безкоштовно за умови, що:

- Продукт використовувався правильно, його експлуатація проводилася строго відповідно до інструкції з експлуатації.
- Продукт піддавався звичайному зносу;
- Ремонт не проводився сторонніми особами;
- Представлені документи, що підтверджують купівлю.
- Продукт STANLEY повертається в повному комплекті з усіма оригінальними компонентами

Якщо ви хочете зробити заявку, зв'яжіться з продавцем або з'ясуйте місце знаходження вашого найближчого авторизованого сервісного агента Stanley в каталозі Stanley або зверніться в місцеве представництво Stanley за адресою, вказаною в цьому посібнику. Список авторизованих сервісних агентів Stanley і повну інформацію про наше післяпродажне обслуговування можна знайти в Інтернеті за адресою:  
[www.stanleytools.com](http://www.stanleytools.com)

**STANLEY**

## Гарантійні умови

Шановний покупець!

1. Вітаємо Вас з покупкою високоякісного виробу STANLEY і висловлюємо вдячність за Ваш вибір.
2. При покупці виробу вимагайте перевірки його комплектності і справності у Вашій присутності, інструкцію за експлуатації та заповнений гарантійний талон українською мовою

В гарантійному талоні повинні бути внесені: модель, дата продажу, серійний номер, дата виробництва інструменту; назва, печатка і підпис торгової організації. За відсутності у Вас правильно заповненого гарантійного талону, а також при невідповідності зазначених у ньому даних ми будемо змушені відхилити Ваші претензії щодо якості даного виробу.

3. Щоб уникнути непорозуміння, переконливо просимо Вас перед початком роботи з виробом уважно ознайомитися з інструкцією з його експлуатації. Правовою основою справжніх гарантійних умов є чинне Законодавство. Гарантійний термін на даний виріб складає 24 місяці і обчислюється з дня продажу. У разі усунення недоліків виробу, гарантійний строк продовжується на період його перебування в ремонті. Термін служби виробу становить 5 років з дня продажу.
4. У разі виникнення будь-яких проблем у процесі експлуатації виробу рекомендуємо Вам звертатися тільки в уповноважені сервісні центри STANLEY, адреси та телефони яких Ви зможете знайти в гарантійному талоні, на сайті [www.2helpU.com](http://www.2helpU.com) або дізнатися в магазині. Наші сервісні станції - це не тільки кваліфікований ремонт, але і широкий асортимент запчастин і аксесуарів.
5. Виробник рекомендує проводити періодичну перевірку і технічне обслуговування виробу в уповноважених сервісних центрах.
6. Наші гарантійні зобов'язання поширюються тільки на несправності, виявлені протягом гарантійного терміну і викликані дефектами виробництва та \ або матеріалів.
7. Гарантійні умови не поширюються на несправності виробу, що виникли в результаті:
  - 7.1 Недотримання користувачем приписів інструкції з експлуатації виробу, застосування виробу не за призначенням, неправильного зберігання, використання приладдя, витратних матеріалів і запчастин, що не передбачені виробником.
  - 7.2 Механічного пошкодження (відколи, тріщини і руйнування) внутрішніх і зовнішніх деталей виробу, основних і допоміжних рукояток, мережевого кабелю, що викликані зовнішнім ударним або будь-яким іншим впливом

- 7.3 Потрапляння у вентиляційні отвори та проникнення всередину виробу сторонніх предметів, матеріалів або речовин, що не є відходами, які супроводжують застосування виробу за призначенням, такими як: стружка, тирса, пісок, та ін.
- 7.4 Впливу на виріб несприятливих атмосферних і інших зовнішніх факторів, таких як дощ, сніг, підвищена вологість, нагрівання, агресивні середовища, невідповідність параметрів електромережі, що зазначені на інструменті.
- 7.5 Стихійного лиха. Пошкодження або втрати виробу, що пов'язані з непередбаченими лихами, стихійними явищами, у тому числі внаслідок дії непереборної сили (пожежа, блискавка, потоп і інші природні явища), а також внаслідок перепадів напруги в електромережі та іншими причинами, які знаходяться поза контролем виробника.
8. Гарантійні умови не поширюються:
  - 8.1. На інструменти, що піддавались розкриттю, ремонту або модифікації поза уповноваженим сервісним центром.
  - 8.2. На деталі, вузли та матеріали, що мають сліди природного зносу, такі як: приводні ремені і колеса, вугільні щітки, мастило, підшипники, зубчасті зчеплення редукторів, гумові ущільнення, сальники, направляючі ролики, муфти, вимикачі, бойки, штовхачі, стволы тощо.
  - 8.3. На змінні частини: патрони, цанги, затискні гайки і фланці, фільтри, акумуляторні батареї, ножі, шліфувальні підшви, ланцюги, зірочки, пильні шини, захисні кожухи, пилки, абразиви, пильні і абразивні диски, фрези, свердла, бури тощо
  - 8.4. На несправності, що виникли в результаті перевантаження інструменту (як механічного, так і електричного), що спричинили вихід з ладу одночасно двох і більше деталей і вузлів, таких як: ротора і статора, обох обмоток статора, веденої і ведучої шестерень редуктора або інших вузлів і деталей. До безумовних ознак перевантаження виробу відносяться, крім інших: поява кольорів мінливості, деформація або оплавлення деталей і вузлів виробу, потемніння або обвуглювання ізоляції проводів електродвигуна під впливом високої температури.



Виробник:  
"Stanley Black & Decker Deutschland GmbH" Black-&-Decker Str.40, D-65510 Idstein, Німеччина

FIG. A

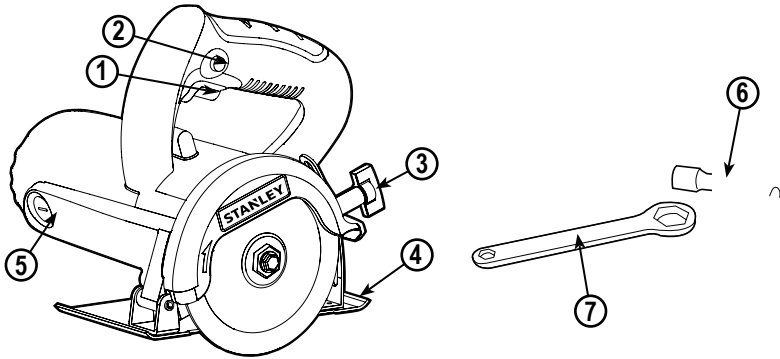


FIG. B

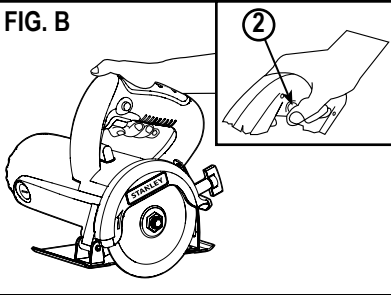


FIG. C

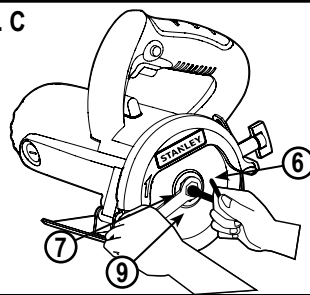


FIG. D

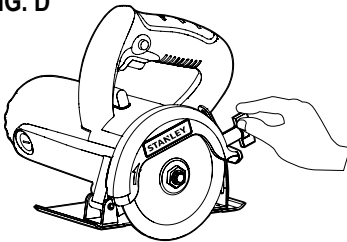


FIG. E

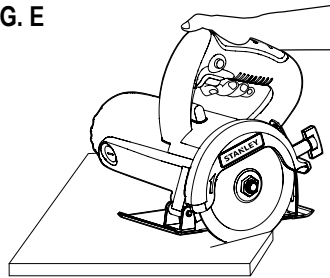
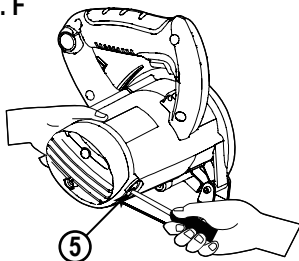


FIG. F



**NE RETOURNEZ PAS CET APPAREIL AU MAGASIN,** contactez d'abord le bureau local Stanley ou le centre de service agréé le plus proche.

## Règles générales de sécurité



**Attention!** Lire et assimiler toutes les instructions. Le non-respect de toutes les instructions mentionnées ci-dessous peut entraîner un choc électrique, un incendie et/ou des blessures graves.

## CONSERVER CES INSTRUCTIONS

### Consignes de sécurité

**Consignes générales de sécurité concernant les outils électroportatifs**



**Attention! Lire avec attention tous les avertissements et toutes les instructions.** Le non-respect des avertissements et des instructions indiquées ci-dessous peut entraîner un choc électrique, un incendie et/ou des blessures graves

**Conservez ces consignes et ces instructions pour référence ultérieure.**

La notion "d'outil électroportatif" mentionnée par la suite se rapporte à des outils électriques raccordés au secteur (avec câble) ou fonctionnant avec piles (sans fil).

1. Sécurité de la zone de travail

a. **Maintenir la zone de travail propre et bien éclairée.** Un lieu de travail en désordre ou mal éclairé augmente le risque d'accidents.

b. **Ne pas utiliser d'outils électroportatifs dans un environnement présentant des risques d'explosion ni en présence de liquides, gaz ou poussières inflammables.** Les outils électroportatifs génèrent des étincelles risquant d'enflammer les poussières ou les vapeurs.

c. **Pendant l'utilisation d'un outil électroportatif, les enfants et autres personnes présentes doivent rester éloignés.** En cas d'inattention, vous risquez de perdre le contrôle de l'outil.

2. Sécurité électrique

a. **La fiche de l'outil électrique doit être compatible avec la prise d'alimentation, Ne modifiez la fiche en aucun cas. N'utilisez pas d'adaptateurs avec des outils ayant une prise de terre.** Le respect de ces consignes réduit le risque de choc électrique.

b. **Eviter le contact physique avec des surfaces mises à la terre telles que tuyaux, radiateurs, fours et réfrigérateurs.** Le risque de choc électrique augmente si votre corps est relié à la terre.

c. **Ne pas exposer les outils électroportatifs à la pluie ou à l'humidité.** La pénétration d'eau dans un outil électroportatif augmente le risque de choc électrique.

d. **Ne pas maltraiter le câble d'alimentation. Ne jamais utiliser le câble pour porter l'outil, et ne le tirez pas pour débrancher l'outil. Maintenir le câble éloigné des sources de chaleur, de la graisse, des bords coupants et des pièces en rotation.** Un câble endommagé ou emmêlé augmente le risque de choc électrique.

e. **Lorsque vous utilisez l'outil électroportatif à l'extérieur, utilisez une rallonge homologuée pour une utilisation à l'extérieur.** L'utilisation d'une rallonge électrique homologuée pour les travaux à l'extérieur réduit le risque de choc électrique.

f. **Si l'outil doit être utilisé dans un endroit humide, utilisez un dispositif différentiel à courant résiduel (DDR).** L'utilisation d'un tel dispositif réduit le risque de choc électrique.

**Remarque:** Le terme "dispositif différentiel à courant résiduel (DDR)" peut être remplacé par "disjoncteur de fuite à la terre (DDFT)" ou par "interrupteur différentiel de sécurité (ELCB)".

3. Sécurité personnelle

a. **Restez vigilant, surveillez ce que vous faites et faites preuve de bon sens quand vous utilisez un outil. N'utilisez pas un outil électroportatif lorsque vous êtes fatigué ou après avoir consommé de l'alcool ou pris des médicaments.** Un moment d'inattention en utilisant l'outil peut entraîner de graves blessures.

b. **Portez un équipement de protection. Portez toujours des lunettes de protection. Selon le travail à effectuer, le port d'un équipement de protection tel que masque anti-poussières, chaussures de sécurité antidérapantes, casque ou protection auditive, réduit le risque de blessures.**

c. **Evitez tout démarrage imprévu. L'interrupteur de l'outil doit être en position d'arrêt (off) avant d'effectuer le branchement à l'alimentation et/ou au bloc batterie, de ramasser l'outil ou de le porter.** Porter ou brancher un outil électrique dont l'interrupteur est en position Marche (on) est une invite à l'accident.

d. **Retirez les outils ou les clés de réglage avant de mettre l'outil en marche.** Une clé ou un outil se trouvant sur une partie en rotation peut causer des blessures.

e. **Adoptez une position confortable. Adoptez une position stable et gardez votre équilibre en permanence.** Vous contrôlerez mieux l'outil dans des situations inattendues.

f. **Portez des vêtements appropriés. Ne portez pas de vêtements amples ou de bijoux. N'approchez pas les cheveux, vêtements ou gants des pièces en mouvement.** Les vêtements amples, les bijoux ou les cheveux longs peuvent s'accrocher dans les pièces en mouvement.



g. En cas d'utilisation d'appareils servant à aspirer ou à recueillir les poussières, assurez-vous qu'ils sont correctement raccordés et utilisés. L'utilisation de tels dispositifs réduit les dangers dus aux poussières.

#### 4. Utilisation des outils électroportatifs et précautions

a. Respectez la capacité de l'outil. Utilisez l'outil approprié pour le travail à effectuer. Avec un outil approprié, vous travaillerez mieux et en toute sécurité.

b. N'utilisez pas un outil électroportatif dont l'interrupteur marche/arrêt est défectueux. Un outil électroportatif qui ne répond pas à la commande marche/arrêt est dangereux et doit être réparé.

c. Retirez la fiche de la prise de courant et/ou débranchez le bloc-batterie avant d'effectuer des réglages, de changer les accessoires ou de ranger l'outil. Cette mesure de précaution empêche de mettre l'outil en marche accidentellement.

d. Rangez les outils électroportatifs hors de la portée des enfants et les personnes ne connaissant pas l'outil ne doivent en aucun cas l'utiliser. Les outils électroportatifs sont dangereux lorsqu'ils sont utilisés par des personnes non initiées.

e. Entretenez les outils électroportatifs. Vérifiez que les parties en mouvement fonctionnent correctement et qu'elles ne sont pas coincées. Vérifiez qu'il n'y a pas de pièces cassées ou endommagées susceptibles de nuire au bon fonctionnement de l'outil. S'il est endommagé, faites réparer l'outil avant de l'utiliser. De nombreux accidents sont la conséquence d'outils mal entretenus.

f. Les outils de coupe doivent toujours être aiguisés et propres. Des outils soigneusement entretenus avec des bords tranchants bien aiguisés se coincent moins souvent et peuvent être guidés plus facilement.

g. Utilisez l'outil électrique, les accessoires, les forets etc. conformément à ces instructions, en tenant compte des conditions de travail et des tâches à effectuer. L'utilisation d'un outil électroportatif à d'autres fins que celles prévues peut entraîner des situations dangereuses

#### 5. Réparations

a. Faites réparer votre outil électroportatif uniquement par du personnel qualifié et seulement avec des pièces de rechange appropriées. Cela garantira le maintien de la sécurité de votre outil.

### Consignes de sécurité pour les opérations de sciage par abrasion

#### Consignes de sécurité pour les scies diamant

a) Le carter de protection fourni avec l'outil doit être correctement fixé à l'outil électroportatif en exposant le disque le moins possible vers l'utilisateur pour le protéger au maximum. Tenez-vous ainsi que toute personne présente, hors du plan de rotation du disque. Le carter de protection permet de protéger l'utilisateur des fragments de disques cassés ou d'un contact accidentel avec le disque.

b) N'utilisez que des disques diamant avec cet outil électrique. Le seul fait de pouvoir installer un accessoire ne garantit pas une sécurité de fonctionnement.

**Remarque:** Utilisez le mot "diamant" s'il y a lieu et selon l'appellation de l'outil.

c) La vitesse nominale de l'accessoire doit être au moins égale à la vitesse maximale inscrite sur l'outil. Les accessoires dont la rotation est plus rapide que leur vitesse nominale peuvent se briser et éclater en plusieurs morceaux.

d) Les disques ne doivent être utilisés que pour les applications recommandées. Par exemple: ne meulez pas avec le côté du disque de coupe. Les disques de coupe par abrasion sont destinés au meulage périphérique, des forces latérales auraient pour conséquence de les briser

e) N'utilisez que des flasques en bon état, de dimension et de forme appropriées à votre disque. Les flasques de disque appropriés soutiennent le disque, ce qui limite le risque de casse.

f) N'utilisez pas de disques renforcés usés pris sur des outils électriques plus grands. Les disques destinés aux grands outils ne sont pas adaptés aux vitesses rapides des petits outils et peuvent éclater.

**Remarque:** Cette dernière consigne ne s'applique pas aux outils conçus pour être utilisés uniquement avec des disques diamant.

g) Le diamètre extérieur et l'épaisseur de votre accessoire doivent correspondre à la capacité nominale de votre outil électroportatif. Il est impossible de garantir la protection ou le contrôle des accessoires de dimension incorrecte.

h) La dimension de l'alésage central des disques et des flasques doit correspondre exactement à l'axe de l'outil. Les disques ou les flasques dont l'alésage central ne correspond pas au matériel de fixation de l'outil risquent d'être déséquilibrés, de vibrer de manière excessive et provoquer la perte du contrôle de l'outil

- i) **N'utilisez pas de disques endommagés. Avant toute utilisation, vérifiez la présence d'éclats ou de fissures sur les disques. Si l'outil ou le disque tombe, vérifiez leur état et le cas échéant installez un disque en bon état.** Après inspection et l'installation d'un disque, tenez-vous ainsi que toute personne présente, hors du plan de rotation du disque et laissez tourner l'outil pendant une minute à sa vitesse maximale à vide. En général, un disque endommagé se brisera lors de ce temps d'essai.
- j) **Portez un équipement de protection. En fonction du travail à effectuer, utilisez un masque ou des lunettes de protection. Le cas échéant, portez un masque anti-poussières, des protections auditives, des gants et un tablier de travail afin de vous protéger des éventuels éclats.** En protégeant vos yeux, vous éviterez d'être blessé par les éclats créés pendant le travail. En portant un masque anti-poussières ou respiratoire, vous éviterez de respirer les particules créées pendant le travail. Une exposition prolongée aux bruits trop puissants peut entraîner une perte de l'audition.
- k) **Pour le maintien de la sécurité, éloignez les personnes présentes de la zone de travail. Toute personne entrant dans la zone de travail doit porter un équipement de protection.** Des éclats de la pièce usinée ou d'un disque cassé peuvent être projetés au-delà de la zone de travail et causer des blessures.
- l) **Tenez l'outil uniquement au niveau des surfaces isolées lorsque vous effectuer un travail qui pourrait mettre l'accessoire de coupe en contact avec des fils cachés ou son propre câble.** En touchant un fil sous tension, la charge électrique peut passer dans les parties métalliques de l'outil électroportatif entraînant un risque de choc électrique pour l'utilisateur.
- m) **Eloignez le câble des accessoires en rotation.** Si vous perdez le contrôle de l'outil, le câble peut être coupé ou s'accrocher et votre main ou votre bras peut se trouver entraîné dans l'accessoire en rotation.
- n) **Ne posez jamais l'outil avant l'arrêt complet de l'accessoire.** L'accessoire en rotation peut s'accrocher à la surface, ce qui vous ferait perdre le contrôle de l'outil.
- o) **Ne mettez pas l'outil en marche lorsque vous le transportez.** L'accessoire en rotation peut attraper vos vêtements et vous blesser.
- p) **Nettoyez régulièrement les fentes d'aération de l'outil.** Le ventilateur du moteur entraîne la poussière à

l'intérieur de l'outil et une accumulation excessive de la poudre de métal peut causer des accidents liés à l'électricité.

- q) **Ne faites pas fonctionner l'outil à proximité de matières inflammables.** Les étincelles risquent d'enflammer ces matières.
- r) **N'utilisez pas d'accessoires nécessitant un liquide de refroidissement.** L'utilisation d'eau ou d'un autre liquide de refroidissement peut entraîner un choc électrique ou une électrocution.

**Remarque:** Cette dernière consigne ne s'applique pas aux outils électriques spécialement conçus pour une utilisation avec un liquide.

### Consignes de sécurité supplémentaires pour les opérations de sciage abrasion Effets de retour et avertissements

L'effet de retour est une réaction brusque qui se produit lorsqu'un disque en rotation est pincé ou coincé. Le pincement ou le coincement provoque un arrêt soudain du disque en rotation qui, à son tour, propulse l'outil hors de contrôle dans la direction opposée au sens de rotation du disque.

Par exemple, si un disque abrasif est accroché ou coincé par la pièce à usiner, le bord du disque qui est entré au point de pincement peut creuser dans la surface du matériau ce qui entraînera le rejet du disque. Le disque peut être éjecté en direction de l'utilisateur ou à l'opposé, selon la direction du mouvement du disque au point de pincement. Les disques abrasifs peuvent également se casser dans ce type de situation.

L'effet de retour est le résultat d'une mauvaise utilisation et/ou de mauvaises méthodes ou conditions d'utilisation de l'outil. Ceci peut être évité en appliquant les précautions adéquates, décrites ci-après.

- a) **Maintenez une bonne prise de l'outil et positionnez votre corps et votre bras de manière à pouvoir résister à la puissance d'un retour. Utilisez toujours la poignée auxiliaire, quand elle existe, pour contrôler au maximum le retour ou la réaction de couple durant le démarrage.** Si les précautions adéquates ont été prises, l'utilisateur peut contrôler les réactions de couple ou les forces de retour.
- b) **Ne placez jamais votre main près de l'accessoire en rotation.** L'accessoire pourrait rebondir sur votre main.

- c) **Ne vous positionnez pas dans l'axe du disque en rotation.** L'effet de retour propulsera l'outil dans la direction opposée au mouvement du disque au point d'accrochage.
- d) **Soyez particulièrement prudent lorsque vous travaillez sur des coins, des bords pointus, etc., évitez de faire rebondir ou de coincer l'accessoire.** Les coins, les bords pointus ou les à-coups ont tendance à générer un accrochage de l'accessoire rotatif et à provoquer une perte de contrôle ou un effet de retour
- e) **Ne montez pas sur l'outil une chaîne de scie, une lame de scie dentée ou à chantourner, ou un disque diamant segmenté avec un espace périphérique de plus de 10 mm.** De telles lames créent fréquemment un effet de retour et une perte de contrôle.
- f) **Ne "bloquez" pas le disque et n'appliquez pas de pression excessive. N'essayez pas de faire une découpe trop profonde.** Une surcharge du disque augmente la charge et la susceptibilité de torsion ou de coincement du disque dans la coupe et la possibilité d'un effet de retour ou de cassure du disque.
- g) **Lorsque le disque se coince ou que vous interrompez une coupe pour une raison quelconque, éteignez l'outil électrique et maintenez-le immobile jusqu'à ce que le disque s'arrête complètement. Ne cherchez jamais à sortir le disque de la coupe pendant que le disque est encore en mouvement, car vous vous exposeriez à un effet de retour. Si le disque a tendance à se coincer, recherchez-en la cause et apportez les correctifs appropriés.**
- h) **Ne redémarrez pas le découpage dans la pièce. Laissez le disque atteindre sa pleine vitesse et remplacez avec précaution l'outil dans la coupe.** Le disque peut se coincer, se rapprocher ou provoquer un retour si l'outil électrique est redémarré dans la pièce.
- i) **Assurez un soutien aux panneaux ou à toute pièce surdimensionnée pour réduire le risque de pincement du disque ou d'effet de retour.** Les pièces de grande taille ont tendance à s'affaisser sous leur propre poids. Placez des points d'appui sous la pièce à usiner près de la ligne de coupe et près des bords de la pièce des deux côtés du disque.
- j) **Soyez particulièrement prudent lorsque vous découpez une ouverture dans une cloison existante ou tout autre matériau dont l'arrière n'est pas visible.** Le disque pourrait couper une conduite de gaz, ou d'eau, des fils électriques ou des objets qui risquent de provoquer un retour.

## Consignes de sécurité supplémentaires pour les scies à marbre



**Avertissement!** Ne touchez pas aux parties métalliques exposées de l'outil lorsque vous coupez dans une cloison ou un plancher, ou au contact d'un câblage électrique. **Tenez l'outil au niveau des surfaces de prise isolées lorsque vous effectuez une coupe qui pourrait entrer en contact avec un câblage électrique caché ou son propre câble.** En cas de contact avec un fil sous tension, la charge électrique peut passer dans les parties métalliques de l'outil et causer un risque de choc électrique pour l'opérateur.

- **Positionnez toujours vos mains éloignées de la zone de coupe et du disque diamant. Gardez toujours votre deuxième main sur la poignée latérale.** En tenant l'outil des deux mains, vous ne vous blesserez pas avec le disque.
- **Ne mettez pas vos mains en dessous de la pièce à usiner** parce que le carter de protection ne peut pas protéger la partie du disque passant sous la pièce.
- **Utilisez toujours un disque diamant correspondant à la forme et aux dimensions (diamant ou de forme circulaire).** Un disque et un support dépareillés entraîneraient un fonctionnement excentré provoquant une possible perte de contrôle.
- **N'utilisez pas de rondelles ou de boulons endommagés ou de mauvaises dimensions;** sinon vous risquez de perdre le contrôle du fonctionnement.
- **N'utilisez pas de disques à meuler.**
- **N'utilisez pas de disque diamant non conforme aux stipulations du fabricant.**
- **N'utilisez pas de disque de coupe endommagé, déformé ou fissuré.**
- **Ne faites pas fonctionner l'outil sans carter de protection.**
- **Ne démarrez pas l'outil avec le disque de coupe en contact avec la pièce à usiner.**
- **Après avoir éteint l'outil, attendez l'arrêt complet du disque de coupe avant de poser l'outil. Ne forcez pas l'arrêt du disque.**
- **Débranchez la fiche de la prise secteur et assurez-vous que le disque diamant est stationnaire avant de le remplacer, de régler la profondeur de coupe ou le tuyau d'arrivée d'eau, ou de réparer l'outil.**

- **Tenez l'outil uniquement au niveau des surfaces de prise isolées lorsque le disque diamant risque de couper des fils électriques cachés ou son propre câble.** Si le disque diamant touche un fil sous tension, la charge électrique peut passer dans les parties métalliques de l'outil et causer un risque de choc électrique pour l'opérateur.
- **Soyez extrêmement prudent lorsque vous coupez "en aveugle" dans une cloison ou une autres surface dont l'arrière n'est pas visible** parce que le disque diamant pourrait couper une conduite de gaz, ou d'eau, des fils électriques ou des objets offrant une résistance.v

électrique. Si l'utilisation d'un cordon prolongateur est nécessaire, utilisez un cordon prolongateur certifié par les autorités locales en matière d'électricité. Vérifiez que le cordon prolongateur est en bon état avant de l'utiliser. Utilisez toujours un cordon qui convient à la puissance d'entrée de votre outil (voir les données techniques sur la plaque signalétique). La taille minimale du conducteur est de 1,5mm<sup>2</sup>.

## Caractéristiques (Fig. A)

1. Interrupteur Marche/Arrêt
2. Bouton de blocage
3. Vis papillon
4. Socle
5. Couverture du balai
6. Clé à douilles
7. Clé à molette

## Assemblage et réglage

**Attention!** Débranchez toujours l'outil avant de l'assembler ou de le régler.

## Installation et retrait du disque diamant (Fig. C)

- Insérez le disque diamant (9) sur l'axe.
- Tenez le flasque externe avec la clé (7) et desserrez la vis dans le sens antihoraire avec la clé à douille (6).
- Vous devez serrer la vis de blocage fermement.
- N'utilisez que les disques diamant recommandés avec une taille d'alésage central correcte.
- Retrait
- Suivez la même procédure dans le sens inverse.

## Réglage de la profondeur de coupe (Fig. D)

- Pour augmenter ou réduire la profondeur de coupe, desserrez la vis papillon (3), déplacez le socle (4) pour régler la profondeur, puis serrez la vis pour bloquer la profondeur.
- Pour éviter un défaut de l'outil, le bouton de réglage de profondeur de coupe a été réglé en usine sur sa position optimale comme réglage par défaut.

**Remarque:** L'utilisateur peut lui-même régler le bouton sur la position souhaitée à tout moment.

## 6. Etiquettes apposées sur l'outil

L'étiquette apposée sur votre outil peut contenir les symboles suivants:



Lire le manuel d'instructions

Hz ..... Hertz

W ..... Watts



..... Construction de classe II



Utiliser une protection oculaire

min ..... minutes



..... Borne de terre



Utiliser des protections auditives

..... Courant alternatif



..... Symbole d'avertissement

..... Courant continu



..... de sécurité Rotations par minute

...../min..

V ..... Volts

A ..... Ampères

n<sub>0</sub> ..... Vitesse à vide

## Position of date barcode

Le code de la date, comprenant aussi l'année de fabrication, est imprimé sur le boîtier de l'outil.

Exemple:

2014 XX JN

Année de fabrication

## 7. Sécurité électrique



Cet outil est doublement isolé; par conséquent, aucun câble de mise à la terre n'est nécessaire. Vérifiez si l'alimentation mentionnée sur la plaque signalétique de l'appareil correspond bien à la tension présente sur le lieu.



**Attention!** Si le câble d'alimentation est endommagé, il doit être remplacé par le fabricant, par un centre de réparation Stanley agréé ou par un électricien qualifié, de façon à éviter les dommages matériels et corporels. En cas de remplacement du câble d'alimentation par un électricien qualifié mais non agréé par Stanley, la garantie ne sera pas valable.

## Utilisation d'un cordon prolongateur

Évitez d'utiliser un cordon prolongateur sauf si absolument nécessaire. L'utilisation d'un cordon prolongateur non approprié peut entraîner un risque d'incendie ou de choc

## Utilisation



**Attention!** Respectez toujours les consignes de sécurité et la réglementation en vigueur.



**Attention!** Assurez-vous que la vis papillon (3) est correctement serrée avant de faire fonctionner l'outil.

## Mise en marche et arrêt (Fig. B)

- Pour mettre l'outil en marche, appuyez sur l'interrupteur marche/arrêt (1).
- Pour éteindre l'outil, relâchez l'interrupteur marche/arrêt (1).
- Cet outil possède un dispositif de blocage. Pour l'activer, appuyez sur l'interrupteur marche/arrêt puis sur le bouton de blocage (2). Pour le désengager, appuyez à nouveau sur l'interrupteur marche/arrêt.



**Attention!** Lorsque le travail est terminé, éteignez puis débranchez l'outil.

## Coupe (Fig. E)

- Alignez le bord avant du socle avec la ligne de coupe sur la pièce à usiner.
- Maintenez fermement l'outil.
- Posez le socle sur la pièce à usiner sans mettre le disque en son contact.
- Mettez l'outil en marche et attendez que le disque est atteint sa pleine vitesse.
- Déplacez lentement l'outil sur la surface de la pièce à usiner et avancez lentement jusqu'à la fin de la coupe.
- Maintenez une ligne de coupe droite.

**Attention!** Cet outil ne doit être utilisé que sur des surfaces horizontales.

- Assurez-vous de déplacer l'outil en douceur et en ligne droite.
- Forcer ou exercer une pression excessive sur l'outil, ou permettre au disque de se plier, de se coincer ou de se tordre dans la coupe provoque une surchauffe du moteur et un effet de retour de l'outil dangereux.
- Lorsque la profondeur de coupe est supérieure à 20mm, faites 2 ou 3 coupes séparées pour éviter une panne du moteur.

## Entretien

Votre outil électrique Stanley a été conçu pour fonctionner sur une longue période de temps avec un minimum d'entretien. Un fonctionnement continu satisfaisant dépend d'un nettoyage et d'un entretien soigneux et régulier. Ne réparez pas cet outil vous-même. Apportez l'outil dans un centre de réparations STANLEY agréé pour une révision complète de cet outil à intervalle régulier où dès que vous remarquez un changement dans ses performances.

## Balais de carbone (Fig. F)

- Retirez et vérifiez régulièrement l'usure des balais de carbone.
- Remplacez-les dès qu'ils sont usés jusqu'à 6mm ou moins.
- Le mouvement des balais de carbone doit se faire librement à l'intérieur de leur compartiment. Changez les deux balais carbone en même temps.
- N'utilisez que des balais carbone STANLEY.
- Utilisez un tournevis cruciforme pour enlever les couvercles des balais (5).
- Retirez les balais usés, insérez des balais neufs et serrez fermement les couvercles des balais.

## Nettoyage



**Attention!** Débranchez l'outil avant d'utiliser un chiffon pour nettoyer le boîtier. Avec le moteur en marche, chassez les salissures et la poussière des orifices d'aération à l'aide d'un souffleur d'air sec une fois par semaine. Portez des lunettes de sécurité lors de cette opération de nettoyage. Les parties extérieures en plastique peuvent être nettoyées à l'aide d'un chiffon humide et d'un détergent doux. Bien que ces parties soient hautement résistantes aux solvants, N'UTILISEZ JAMAIS des solvants.

## Prendre soin des outils

Eviter de surcharger l'outil électrique. Une surcharge se traduit par un ralentissement important de la vitesse et une baisse d'efficacité, et provoque la surchauffe de l'outil. Dans ce cas, faites tourner l'outil électrique à vide pendant une minute ou deux jusqu'au refroidissement du moteur et son retour à la température normale de fonctionnement grâce à un ventilateur intégré. Le fait d'allumer et d'éteindre votre outil lorsqu'il est en charge réduit considérablement son temps de vie.

**Important**

Pour assurer la sécurité et la fiabilité de l'appareil, les réparations, l'entretien et le réglage (autres que ceux mentionnés dans ce manuel) doivent être effectués par un centre après-vente agréé ou un centre de réparations qualifié, en utilisant toujours des pièces de rechange identiques. L'appareil ne contient aucune pièce réparable par l'utilisateur.

**Accessoires**

La performance d'un outil électrique dépend des accessoires que vous utilisez. Les accessoires STANLEY sont conçus selon des normes de qualité supérieure et fabriqués avec des matériaux de la meilleure qualité. Des tests rigoureux sur les accessoires sont effectués avant leur mise sur le marché. Ils sont conçus pour améliorer les performances de votre outil.

Achetez des accessoires STANLEY pour permettre à vos outils STANLEY d'être très performants. Les accessoires STANLEY recommandés pour cet outil sont disponibles auprès de votre revendeur local ou un centre de réparations agréé.

**Remarque:** N'utilisez que des disques dont la vitesse nominale est au moins égale à la vitesse maximale marquée sur l'outil.



**Attention!** L'utilisation de tout autre accessoire que ceux recommandés avec cet outil peut s'avérer dangereux.



**Attention!** N'utilisez que des disques diamant pour couper la pierre. N'utilisez pas de disque à meuler ou des lames dentées.

**Informations sur le service après-vente**

STANLEY offre un large réseau de centres de réparations appartenant à la société ou agréés. Tous les centres STANLEY sont dotés de personnel qualifié pour assurer aux clients une qualité et une fiabilité de service dans la réparation de leurs outils électriques. Pour plus d'informations sur nos centres de réparations agréés et si vous avez besoin de conseils techniques, de réparations ou de pièces de rechange d'origine, il suffit de contacter le centre STANLEY le plus proche.

**Spécifications**

STSP125		
Puissance	W	1320
Tension	V	220-240
Fréquence	Hz	50/60
Vitesse à vide	/min	13500 (tr/min)
Diamètre du disque	mm	125
Profondeur de coupe	mm	41
Poids	kg	3,1

## Protection de l'environnement



Collecte sélective. Ne pas jeter cet appareil avec les ordures ménagères.

Si vous devez remplacer un appareil Stanley ou si vous ne l'utilisez plus, ne le jetez pas avec les ordures ménagères, mais dans les conteneurs de collecte sélective.



La collecte sélective des produits et des emballages usagés permet de recycler et de réutiliser leurs matériaux. La réutilisation de matériaux recyclés aide à protéger l'environnement contre la pollution et à réduire la demande en matières premières.

Les réglementations locales peuvent proposer la collecte sélective des appareils électriques ménagers, dans des déchetteries municipales ou par le revendeur lorsque vous achetez un nouvel appareil. Stanley dispose d'installations pour la collecte et le recyclage des produits Stanley en fin de vie. Pour profiter de ce service, veuillez rapporter votre appareil auprès d'un centre de réparation agréé qui se chargera de le collecter en notre nom.

Pour connaître l'adresse d'un centre de réparation agréé près de chez vous, contactez votre distributeur Stanley à l'adresse indiquée dans ce manuel, ou consultez la liste des centres de réparation agréés Stanley et tout renseignement complémentaire sur notre service après-vente sur le site internet à l'adresse: [www.2helpU.com](http://www.2helpU.com).

## Garantie deux

Si votre appareil STANLEY s'avère défectueux en raison d'un vice de matériau ou de fabrication dans les 24 mois à compter de sa date d'achat, STANLEY Europe garantit le remplacement gratuit de toute pièce défectueuse ou – à notre entière discrétion – le remplacement gratuit de l'appareil, à condition que:

- L'appareil n'ait pas été utilisé avec négligence et qu'il ait été utilisé en suivant les instructions contenues dans ce manuel.
- L'appareil ait été soumis à une usure normale;
- Aucune réparation n'ait été effectuée par du personnel non autorisé;
- Une preuve d'achat soit fournie.
- L'appareil STANLEY soit retourné complet, avec l'ensemble de ses composants originaux.

Pour avoir recours à la garantie, contactez votre revendeur ou consultez l'emplacement du centre de réparation agréé Stanley le plus proche dans le catalogue, ou contactez le service clientèle Stanley à l'adresse indiquée dans ce manuel. Une liste des centres de réparation agréés Stanley et tout détail complémentaire concernant notre service après-vente sont à votre disposition sur notre site internet : [www.stanleytools.com](http://www.stanleytools.com)

FIG. A

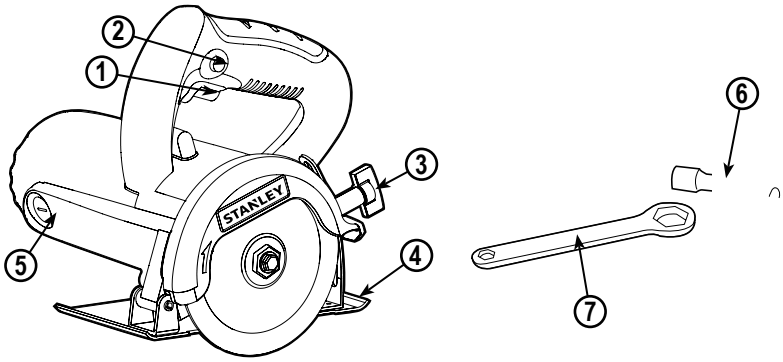


FIG. B

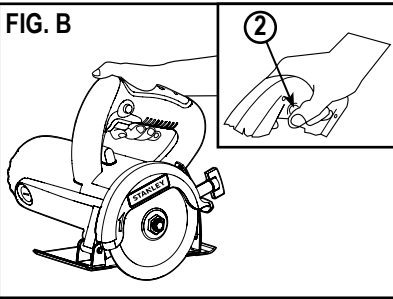


FIG. C

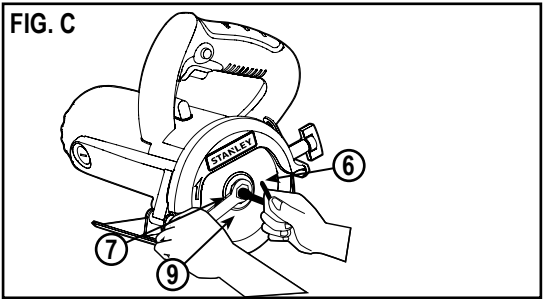


FIG. D

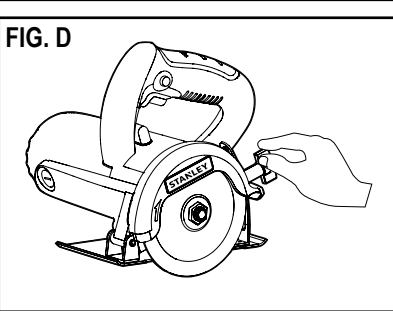


FIG. E

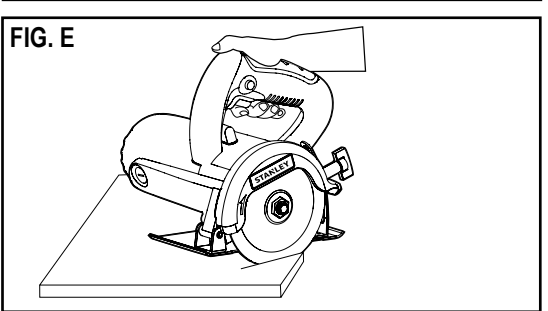
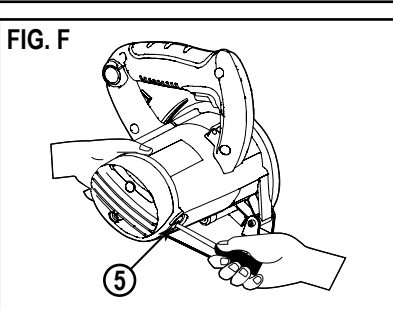


FIG. F





**NÃO DEVOLVER ESTE PRODUTO À LOJA,**

Contacte primeiro com o seu escritório STANLEY ou centro de serviços autorizado mais próximo.

**Regras de Segurança Geral**

**Aviso!** Ler e compreender todas as instruções. A falha em seguir todas as instruções listadas em baixo podem resultar em choque, incêndio e/ou grave lesão pessoal.

**GUARDAR ESTAS INSTRUÇÕES****Instruções de Segurança****Aviso de segurança geral de ferramenta elétrica**

**Aviso!** Ler e compreender todas as instruções. A falha em seguir todas as instruções listadas em baixo podem resultar em choque, incêndio e/ou grave lesão pessoal.

**Guarde todos estes avisos para futura consulta.**

O termo "ferramenta elétrica" em todos os avisos em baixo listados refere-se aos meios operados (por cabo) da ferramenta elétrica ou ferramenta elétrica alimentada a bateria (sem fios).

**1. Segurança de área de trabalho**

- a. **Manter a área de trabalho limpa e bem iluminada.** Áreas desordenadas ou escuras são propícias a acidentes.
- b. **Não operar as ferramentas elétricas em atmosferas explosivas, tais como na presença de materiais, gases ou poeiras.** Ferramentas elétricas podem causar faíscas que acendam a poeira ou fumos.
- c. **Manter as crianças e transeuntes longe quando operar uma ferramenta elétrica.** Distrações podem-nos fazer perder o controlo.

**2. Segurança elétrica**

- a. **As fichas das ferramentas elétricas devem ser iguais às das tomadas. Nunca modifique de qualquer forma a ficha. Não usar quaisquer fichas com ferramentas elétricas com ligação à terra (terra).** Fichas não modificadas e tomadas condizentes reduziram o risco de choque elétrico.
- b. **Evite o contacto físico com superfícies ligadas à terra tais como tubos, radiadores, conteúdos e frigoríficos.** Existe um risco maior de choque elétrico se o seu corpo estiver ligado à terra ou chão.

- c. **Não exponha as ferramentas elétricas a condições chuvosas ou húmidas.** Água que entre numa ferramenta elétrica aumentará o risco de choque elétrico.
- d. **Não abuse do fio. Nunca use o fio para carregar, puxar ou desligar a ferramenta elétrica. Mantenha o fio longe do calor, óleo, pontas afiadas ou partes móveis.** Fios danificados ou entrelaçados aumentam o risco de choque elétrico.
- e. **Quando operar uma ferramenta elétrica no exterior, use um fio de extensão adequado para uso exterior.** O uso de um fio apropriado para uso exterior reduz o risco de choque elétrico.
- f. **Se o uso de uma ferramenta elétrica num local húmido não for inevitável, use uma fonte protegida de dispositivo de corrente residual (DCR).** O uso de DCR reduz o risco de choque elétrico.

**Aviso:** O termo "Dispositivo de Corrente Residual (DCR)" pode ser substituído por Disjuntor (D) ou por "Disjuntor Diferencial (DD)".

**3. Segurança pessoal**

- a. **Esteja atento, tenha atenção ao que está a fazer e use o senso comum quando operar uma ferramenta elétrica. Não use ferramentas elétricas quando estiver cansado ou sob influência de drogas, álcool ou medicação.** Uma desatenção enquanto opera uma ferramenta elétrica pode causar graves danos pessoais.
- b. **Use equipamento de proteção pessoal. Use sempre proteção ocular.** Equipamento protetor tal como máscara de poeiras, calçado anti derrapagem, capacete, ou proteção auditiva usada para as condições apropriadas de poeiras, calçado anti derrapagem, capacete, ou proteção auditiva usada para as condições apropriadas reduzirá o risco de lesões pessoais.
- c. **Previna arranque indesejado. Assegure-se que o interruptor está na posição "off" antes de ligar à fonte de energia e/ou pilhas, ao pegar ou carregar a ferramenta.** Carregar ferramentas elétricas com o seu dedo no interruptor ou alimentar ferramentas elétricas que têm o interruptor ligado propiciam os acidentes.
- d. **Remova qualquer chave de ajuste ou chave antes de ligar a ferramenta elétrica.** Uma chave deixada presa à peça em rotação pode resultar em lesões pessoais.
- e. **Não se exceda. Mantenha sempre a posição de pés adequada e equilíbrio.** Isto permite um melhor controlo da ferramenta elétrica em situações inesperadas.
- f. **Vista-se apropriadamente. Não use roupas largas ou joias. Mantenha o seu cabelo, vestuário e luvas longe das partes em movimento.** Vestuário largo, joias ou cabelo comprido podem ficar presos nas peças em movimento.

g. Se são fornecidos dispositivos para a coleção ou extração de poeiras e instalações de coleção, assegure-se que estes estão ligados e são usados apropriadamente. Uso da recolha de poeira pode reduzir o risco de perigos relacionados com a poeira.

#### 4. Uso e cuidado da ferramenta elétrica

a. **Não force a ferramenta elétrica. Use a ferramenta elétrica correta para a sua tarefa.** A ferramenta elétrica correta fará o trabalho melhor de forma mais segura à medida para a qual foi desenhada.

b. **Não use a ferramenta elétrica se o interruptor não a ligar ou desligar.** Qualquer ferramenta elétrica que não possa ser controlada com o interruptor é perigosa e deve ser reparada.

c. **Desligue a ficha da fonte de energia e/ou pilha da ferramenta elétrica antes de fazer qualquer ajuste mudar acessórios ou guardar as ferramentas elétricas.** Tais medidas preventivas reduzem o risco de ligar a ferramenta elétrica acidentalmente.

d. **Guarde ferramentas elétrica inativas fora do alcance das crianças e não permita a pessoas não familiarizadas com as ferramentas elétricas a operar a ferramenta elétrica.** Ferramentas elétricas são perigosas nas mãos de utilizadores não preparados.

e. **Reveja as ferramentas elétricas. Verifique se há desalinhamento ou ligação das peças móveis, se as peças quebraram e quaisquer outras condições que possam afetar a operação das ferramentas elétricas.** Muitos acidentes são causados por ferramentas elétricas mal revistas.

f. **Mantenha as ferramentas de corte afiadas e limpas.** Ferramentas de corte devidamente revistas com superfícies de corte afiadas têm menos probabilidades de ligar e mais fáceis de controlar.

g. **Utilize a ferramenta elétrica, os acessórios e as brocas, etc., de acordo com estas instruções e tendo em atenção as condições de trabalho e o trabalho a ser executado.** A utilização da ferramenta elétrica para diferentes operações das indicadas pode causar uma situação perigosa.

#### 5. Manutenção

a. **Mantenha a sua ferramenta elétrica revista por uma pessoa especializada de reparações usando só peças de substituição idênticas.** Isto assegurará que a segurança da ferramenta elétrica está mantida.

### Instruções de segurança para operações de corte abrasivo Avisos de segurança para máquina de corte

a) A proteção fornecida com a ferramenta deve ser fixada com segurança à ferramenta elétrica e posicionada para segurança máxima para que o

valor mínimo da mó fique exposto na direção do operador. Posicione-se e a outras pessoas afastadas do plano da mó rotativa. A proteção ajuda a proteger o operador de fragmentos da mó partida e do contacto acidental com a mó.

b) **Utilize apenas mós de corte diamantadas para a sua ferramenta elétrica.** Só porque um acessório pode ser anexado à sua ferramenta elétrica, isso não garante uma operação segura.

**Nota:** Use a expressão «diamante», conforme aplicável, dependendo da designação da ferramenta.

c) **A velocidade nominal do acessório deve ser pelo menos igual à velocidade máxima marcada na ferramenta elétrica.** Os acessórios a funcionar mais rápido do que a sua velocidade nominal podem quebrar e voar.

d) **As mós devem ser utilizadas apenas para as aplicações recomendadas. Por exemplo: não retificar com o lado da mó de corte.** Mós de corte abrasivas são concebidas para retificação periférica, forças laterais aplicadas a estas mós podem fazer com que se estilhacem.

e) **Utilize sempre flanges de mó não danificadas que sejam do diâmetro correto para a sua mó selecionada.** As flanges de mós apropriadas apoiam a mó reduzindo assim a possibilidade de quebra da mó.

f) **Não utilizar mós com desgaste reforçadas de ferramentas elétricas maiores.** As mós destinadas para uma ferramenta elétrica maior não são adequadas para a velocidade mais elevada de uma ferramenta inferior e pode estourar.

**Nota:** O aviso acima não se aplica apenas a ferramentas designadas para serem utilizadas com mós diamantadas.

g) **O diâmetro exterior e a espessura do seu acessório devem estar dentro da capacidade nominal da sua ferramenta elétrica.** Os acessórios com dimensões erradas não podem ser protegidos ou controlados de forma adequada.

h) **A dimensão da árvore das mós e flanges deve encaixar de forma adequada a árvore da ferramenta elétrica.** As mós e flanges com furos de árvore que não se ajustam com o hardware de suporte da ferramenta elétrica funcionarão sem equilíbrio, vibrarão excessivamente e pode causar perda de controlo.

i) **Não utilize mós de retificação danificadas. Antes de cada utilização, verifique as mós para lascas e fendas. Se a ferramenta elétrica ou a mó cair, verifique se não há danos ou instale uma mó sem danos. Depois de inspecionar e instalar a mó, posicione-se e outras pessoas afastadas do plano da mó rotativa e execute a ferramenta elétrica na velocidade máxima sem carga durante um minuto.** Normalmente as mós danificadas partem durante este período de teste.

- j) **Use equipamento de proteção pessoal.** Dependendo da aplicação, use protetor do rosto, óculos de proteção ou óculos de segurança. Como apropriado, use máscara de pó, protetores auditivos, luvas e oficina tipo avental capaz de travar abrasivos pequenos ou fragmentos da peça de trabalho. A proteção dos olhos deve ser capaz de travar partículas a voar, geradas por várias operações. A máscara de pó ou respirador deve ser capaz de filtrar partículas geradas pela sua operação. A exposição prolongada ao ruído de alta intensidade pode causar perda de audição.
- k) **Mantenha os espectadores a uma distância segura da área de trabalho. Qualquer pessoa que entre na área de trabalho deve usar equipamento de proteção pessoal.** Os fragmentos de peça de trabalho ou de uma mó quebrada podem voar e causar lesões fora da área imediata de trabalho.
- l) **Mantenha a ferramenta elétrica em superfícies aderentes isoladas quando executar uma operação em que o acessório de corte possa entrar em contacto com fios escondidos ou com o seu próprio cabo.** O acessório de corte, ao entrar em contacto com um fio «sob tensão» pode expor peças de metal da ferramenta elétrica à «tensão» e provocar um choque elétrico no operador.
- m) **Posicione o cabo afastado do acessório giratório.** Se perder o controlo, o cabo pode ser cortado ou enganchado e a sua mão ou braço podem ser puxados para a mó giratória.
- n) **Nunca pouse a ferramenta elétrica até que o acessório pare por completo.** A mó giratória pode agarrar a superfície e puxar a ferramenta elétrica para fora de seu controlo.
- o) **Não executar a ferramenta elétrica enquanto a leva ao seu lado.** O contacto acidental com o acessório rotativo pode arrancar a sua roupa, puxando o acessório para o seu corpo.
- p) **Limpe regularmente as saídas de ar da ferramenta elétrica.** A ventoinha do motor puxa o pó para dentro do corpo e a acumulação excessiva de metal em pó pode causar perigos elétricos.
- q) **Não trabalhe com a ferramenta elétrica perto de materiais inflamáveis.** As faíscas podem inflamar esses materiais.
- r) **Não utilize acessórios que necessitem de refrigerantes líquidos.** Utilizar água ou outros refrigerantes líquidos pode resultar em eletrocussão ou choque.
- Nota:** O aviso acima não se aplica para ferramentas elétricas projetadas especificamente para utilizar com um sistema líquido.
- Mais instruções de segurança para ressalto de operações de corte abrasivo e avisos relativos**
- O ressalto é uma reação súbita a uma mó rotativa apertada ou presa. Aperto ou prisão causa uma paragem rápida da mó rotativa que ao virar faz com que a ferramenta elétrica descontrolada seja forçada na direção oposta da rotação da mó ao ponto de ligar.
- Por exemplo, se uma mó abrasiva fica presa ou apertada pela peça de trabalho, a aresta da mó que está a entrar no ponto de aperto pode cavar a superfície do material fazendo com que a mó suba ou saia. A mó pode saltar para perto ou para longe do operador, dependendo do sentido do movimento da mó no ponto do aperto. As rodas abrasivas também podem quebrar sob estas condições.
- O ressalto é o resultado da má utilização da ferramenta elétrica e/ou procedimentos de operação errados ou condições e pode ser evitado se tomar as precauções adequadas abaixo indicadas.
- a) **Mantenha um aperto firme na ferramenta elétrica e posicione o seu corpo e braços de modo a resistir às forças do ressalto. Utilizar sempre o manípulo auxiliar, se fornecido, para o controlo máximo sobre o ressalto ou reação de torque durante o arranque.** O operador pode controlar reações de torque ou de forças de ressalto se as devidas precauções sejam tomadas.
- b) **Nunca coloque a sua mão perto do acessório rotativo.** O acessório pode ressaltar sobre a sua mão.
- c) **Não posicionem o seu corpo em linha com a mó giratória.** O ressalto impulsionará a ferramenta na direção oposta ao movimento da mó no ponto da prisão.
- d) **Tenha cuidado especial ao trabalhar cantos, arestas afiadas, etc. Evite sujeitar o acessório a saltos e movimentos.** Cantos, esquinas afiadas ou que saltam têm uma tendência para prender o acessório rotativo e causar perda de controlo ou ressalto.

- e) Não anexar nenhuma serra articulada, lâmina de talhar madeira, mó diamantada segmentada com uma abertura periférica maior que 10 mm ou lâmina de serra dentada. Essas lâminas criam ressaltos frequentes e perda de controlo.
- f) Não «bloquear» a mó ou aplicar pressão excessiva. Não tente fazer uma profundidade de corte excessiva. Sobrecarregar a mó aumenta a carga e a suscetibilidade de torção ou ligação da mó no corte e a possibilidade de ressalto ou quebra da mó.
- g) Quando a lâmina está ligada ou quando interromper um corte por qualquer razão, desligue a ferramenta elétrica e segure a ferramenta elétrica imóvel até que a mó complete uma paragem. Nunca tente remover a mó do corte enquanto a mó estiver em movimento porque pode ocorrer um ressalto. Investigue e tome as ações de correção para eliminar a causa de ligação da mó.
- h) Não reinicie a operação de corte na peça de trabalho. Permita que a mó atinja a velocidade máxima e cuidadosamente introduza o corte de novo. A mó pode ligar-se, subir ou ressaltar se a ferramenta for reiniciada na peça de trabalho.
- i) Apoie os painéis ou qualquer peça de trabalho enorme para minimizar o risco de a mó apertar e ressaltar. Os painéis grandes tendem a arquear sob o seu próprio peso. Os suportes devem ser colocados debaixo da peça de trabalho perto da linha de corte e perto da aresta da peça de trabalho em ambos os lados da mó.
- j) Tenha cuidado extra quando realiza um «corte de bolso» em paredes existentes ou outras áreas cegas. A mó saliente pode cortar tubos de gás ou de água, fios elétricos ou objetos que podem provocar ressalto.

### Precauções de segurança adicionais para os cortantes de mármore











**Aviso!** Não toque nas partes metálicas expostas da ferramenta durante o corte através de paredes e chão, ou quando em contacto com a rede

elétrica. **Mantenha a ferramenta em superfícies aderentes isoladas quando executar uma operação em que a ferramenta de corte pode entrar em contacto com fios escondidos ou com o seu próprio cabo.** O contacto com um fio «sob tensão» pode expor peças de metal da ferramenta «sob tensão» e isto provocará um choque elétrico no operador.

- Mantenha sempre as mãos fora da área de corte e mó diamantada. Mantenha sempre a outra mão no manipulador lateral. Se segurar a ferramenta com ambas as mãos, não será magoado pela mó.
- Não toque no lado inferior da peça de trabalho porque a proteção não pode proteger a peça da mó sob a peça de trabalho.
- Utilize sempre uma mó diamantada com dimensão e centro bem ajustado (forma diamante ou circular). A mó descentrada e o suporte irão resultar na operação excêntrica e pode perder o controlo.
- Não utilize qualquer máquina de lavar ou qualquer parafuso que esteja danificado ou impróprio na dimensão; caso contrário, vai perder o controlo da operação.
- Não utilize qualquer mó de retificação.
- Não utilize qualquer mó diamantada que não se adapte às estipulações do fabricante.
- Não utilize qualquer mó de corte que tenha sido danificada, distorcida ou rachada.
- Não trabalhe a ferramenta sem a proteção encaixada.
- Não arranque a ferramenta com a mó de corte a tocar a peça de trabalho.
- Depois de desligar a ferramenta, coloque a ferramenta apenas depois da mó de corte ter parado de funcionar. Não force a paragem da mó.
- Desligue a ficha da fonte de energia e assegure-se de que a mó diamantada está parada antes de a substituir, ajustando a profundidade de corte ou o tudo de água ou a reparar a ferramenta.
- Mantenha apenas a ferramenta na sua superfície aderente isolada quando a mó diamantada está pronta a cortar fios escondidos ou o seu próprio cabo. Se a mó diamantada tocar num fio «sob tensão», as peças de metal expostas podem ser carregadas e assim, provocar um choque elétrico ao operador.
- Tenha cuidado extra quando o «corte cego» através de paredes ou outras áreas cegas porque a mó diamantada pode cortar tubos de gás ou água, fios, ou objetos resilientes.

## 6. Etiquetas na ferramenta

A etiqueta na sua ferramenta pode incluir os seguintes símbolos:

	Ler Manual de Instruções	Hz ..... Hertz		Classe II Construção
	Usar proteção ocular	W ..... Watts		Símbolo de Aviso de
	Usar proteção auditiva	min ..... minutos		Terminal de Ligação à Terra
V ..... Volts			Corrente Alternada	...../min.. Rotações ou Reciprocacões por minuto
A ..... Amperes			Corrente Direta	
		$n_0$ ..... Velocidade em vazio		

## Posição do código de barras de dados

O código de Dados, que também inclui o ano de fabrico, é impresso na carcaça.

Exemplo:

2014 XX JN  
Ano de Fabrico

## 7. Segurança elétrica



A sua ferramenta é duplamente isolada; por isso não necessita de fio de terra. Verifique sempre que a voltagem principal corresponde à placa sinalética.



**Atenção!** Se o fio de alimentação está danificado, deverá ser trocado pelo fabricante, Centro de Serviços autorizado da STANLEY ou uma pessoa igualmente qualificada de forma a evitar danos ou lesões. Se o fio de alimentação for trocado por uma pessoa igualmente qualificada, mas não autorizada pela STANLEY, a garantia não será válida.

## Utilizando um cabo de extensão

Não deve ser utilizado um cabo de extensão a menos que seja absolutamente necessário. A utilização de um cabo de extensão impróprio poderá resultar num risco de incêndio e choque elétrico. Se tiver de ser utilizado um cabo de extensão, utilize apenas aqueles que são aprovados pela autoridade elétrica do país. Certifique-se de que o cabo de extensão está em boas condições antes de utilizar. Utilize sempre um cabo de extensão adequado para a potência de entrada da sua ferramenta (consultar dados técnicos na placa de identificação). A dimensão mínima do condutor é 1,5mm<sup>2</sup>.

## Característica (Fig. A)

1. Interruptor On/Off (Ligar/Desligar)
2. Botão de bloqueio
3. Parafuso de orelhas

4. Base
5. Tampa da escova
6. Chave de caixa
7. Chave inglesa

## Montagem e ajuste

**Atenção!** Antes da montagem e ajuste, desligue sempre a ferramenta.



### Instalar e remover a mó diamantada (Fig. C)

- Insira a mó diamantada (9) na árvore.
- Prensar a flange exterior com a chave inglesa (7) e gire o parafuso no sentido anti-horário com a chave de caixa (6).
- Certifique-se de apertar o grampo de forma segura.
- Utilize apenas a mó diamantada recomendada com a dimensão correta do orifício.
- Remoção
- Siga os procedimentos acima pela ordem inversa.

### Ajuste de profundidade de corte (Fig. D)

- Para aumentar ou diminuir a profundidade do corte, solte o parafuso de orelhas (3), mova a base (4) para ajustar a profundidade e aperte o parafuso para fixar a profundidade.
- Para evitar falhas da ferramenta, o botão de ajuste da profundidade de corte foi definido para a posição ideal no padrão de fábrica.

**Nota:** Os utilizadores também podem definir o botão para a posição desejada a qualquer momento.

## Utilização



**Atenção!** Observe sempre as instruções de segurança e os regulamentos aplicáveis.



**Atenção!** Certifique-se de que o parafuso borboleta (3) está devidamente apertado antes de operar a ferramenta.

## Ligar e desligar (Fig. B)

- Para ligar a ferramenta, pressione o interruptor on/off (ligar/desligar) (1).
- Para desligar a ferramenta, solte o interruptor on/off (ligar/desligar) (1).

- Esta ferramenta possui um recurso de bloqueio. Para ativar, pressione o interruptor on/off (ligar/desligar) e, em seguida, o botão de bloqueio (2). Para desativar, pressione de novo o interruptor on/off (ligar/desligar).



**Atenção!** Desligue sempre a ferramenta e, em seguida, a fonte de alimentação quando o trabalho está concluído.

### Corte (Fig. E)

- Alinhe a aresta da frente da base com a linha.
- do corte na peça de trabalho.
- Segure a ferramenta com firmeza.
- Coloque a base sobre a peça a ser cortada sem a mó fazer qualquer contacto.
- Ligue a ferramenta e aguarde até que a roda atinja a velocidade máxima.
- Mova a ferramenta sobre a superfície da peça de trabalho, avançando suavemente até que o corte esteja completo.
- Mantenha a linha de corte reta.

**Atenção!** Esta ferramenta só deve ser utilizada em superfícies horizontais.

- Certifique-se de mover a ferramenta para a frente com cuidado, numa linha reta.
- Forçar, ou exercer pressão excessiva ou permitir que a mó dobre, agarre ou torça no corte, pode fazer com que o motor aqueça demasiado e a ferramenta ressalte para trás com perigo.
- Quando a profundidade do corte é superior 20 mm de profundidade, faça 2 ou 3 cortes separados para evitar que o motor falhe.

### Manutenção

A sua ferramenta elétrica STANLEY foi projetada para operar durante um longo período de tempo com um mínimo de manutenção. Um funcionamento satisfatório permanente depende de um cuidado adequado da ferramenta e de uma limpeza regular. Não repare pessoalmente a ferramenta. Por favor, envie a sua ferramenta para os centros de serviços autorizados STANLEY para a manutenção regular e serviço, ou quando é observada uma mudança significativa no desempenho.

### Escovas de carbono (Fig. F)

- Retire e verifique regularmente as escovas de carbono.
- Substitua quando estiverem gastas até cerca de 6 mm ou menos.
- Mantenha as escovas de carbono limpas para o movimento livre no suporte. Deverão ser substituídas duas escovas em simultâneo.
- Utilize apenas escovas de carbono STANLEY.
- Utilize uma chave de fendas para remover as tampas das escovas (5).
- Remova as escovas gastas, coloque as novas e prenda as tampas da escova.

### Limpeza



**Atenção!** Desligue a ferramenta antes de utilizar um pano para limpar o corpo. Com o motor em funcionamento, sobre a sujidade e o pó para fora de todas as aberturas de ar com ar seco pelo menos uma vez por semana. Use óculos de segurança ao executar isto. As peças de plástico exteriores podem ser limpas com um pano húmido e detergente neutro. Embora estas peças sejam altamente resistentes a solventes, NUNCA utilize solventes.

### Cuidados com a ferramenta

Evite sobrecarregar a ferramenta elétrica. A sobrecarga irá resultar numa redução considerável na velocidade e eficiência e a unidade irá ficar muito quente. Neste caso, funcione a máquina sem carga durante um minuto ou dois até arrefecer para a temperatura normal de trabalho pela ventoinha embutida. Ligar e desligar a sua ferramenta enquanto carrega, irá reduzir a vida útil da ferramenta.

### Importante

Para garantir a segurança e a confiabilidade, as reparações, manutenção e ajustes (exceto aqueles listados neste manual) devem ser realizados por centros de serviços autorizados ou outros técnicos de serviço qualificados, utilizando sempre peças de substituição idênticas. A unidade não contém peças de reparação no interior.

### Acessórios

O desempenho de qualquer ferramenta elétrica depende do acessório utilizado. Os acessórios STANLEY foram concebidos para os elevados padrões de qualidade e foram fabricados a partir dos melhores materiais. Testes rigorosos são executados antes dos acessórios serem lançados no mercado. Eles são projetados para melhorar o desempenho de ferramentas elétricas.

Adquira acessórios STANLEY para trazer às suas ferramentas eléctricas STANLEY para um maior e melhor desempenho. Recomendado Os acessórios STANLEY estão disponíveis nos seus revendedores locais autorizados ou centros de serviço. A STANLEY proporciona uma seleção ampla de acessórios disponíveis no seu revendedor local ou centro de serviço autorizado.

**Nota:** Utilize apenas mós avaliadas no mínimo igual à velocidade máxima marcada na ferramenta.



**Atenção!** A utilização de qualquer outro acessório não recomendado para utilizar com esta ferramenta pode ser perigoso.



**Atenção!** Só podem ser utilizadas mós diamantadas de corte de pedra. Não utilizar mó de retificar ou lâminas dentadas.

## Informação de serviços

A STANLEY proporciona uma rede completa de filiais e locais de serviço autorizados. Todos os Centros de Serviço STANLEY são equipados com pessoal treinado para oferecer aos clientes um serviço de ferramentas eléctricas eficiente e confiável. Para obter mais informações sobre os nossos centros de serviços autorizados e se precisar de aconselhamento técnico, reparação ou peças de reposição genuínas de fábrica, entre em contacto com o local STANLEY mais próximo de si.

## Especificações

		STSP125
Potência	W	13.20
Tensão	V	220-240
Frequência	Hz	50/60
Velocidade sem carga	/min	13.500 (rpm)
Diâmetro da mó	mm	125
Profundidade de corte	mm	41
Peso	kg	3,1

## Protegendo o ambiente



Recolha separada. Este produto não deve ser descartado com o resto do lixo caseiro normal.

Se encontrar que um dia o seu produto Stanley precisa de substituição, ou se já não tem mais uso para si, não o descarte com o resto de lixo caseiro normal. Disponibilize este produto para recolha separada.



Recolha separada dos produtos usados e embalagens permite que os materiais sejam reciclados e usados de novo. Reutilizar materiais reciclados ajuda a prevenir poluição ambiental e reduz a necessidade de matéria-prima.

Leis locais podem fornecer recolha separada de produtos eléctricos das casas, em sítios de resíduos municipais ou no vendedor quando você compra um novo produto. Stanley oferece uma instalação para a recolha e reciclagem de produtos Stanley uma vez que estes atingiram o fim da sua vida útil. Para desfrutar deste serviço por favor devolva o seu produto a qualquer agente autorizado de reparações que os recolherá em nosso nome.

Você pode verificar a localização do seu agente de reparações autorizado mais próximo contactando o seu escritório local Stanley no endereço indicado neste manual. Alternativamente, uma lista de agentes de reparações autorizados pela Stanley e detalhes completos dos nossos serviços pós-venda e contactos estão disponíveis na Internet em: [www.2helpU.com](http://www.2helpU.com)

## dois ano de garantia total

Se o seu produto STANLEY ficar defeituoso devido a materiais ou mão-de-obra defeituosos em 24 meses a contra da data da compra, STANLEY Europe garante a substituição de todas as peças defeituosas sem custos – por nossa conta – substitui a unidade sem custos dado que:

- O produto não foi mal usado e foi usado de acordo com o manual de instruções.
- O produto foi sujeito a uso e desgaste justo;
- Não foram tentadas reparações feitas por pessoas não autorizadas;
- É fornecida um comprovativo de compra.
- O produto STANLEY é devolvido com todos os seus componentes originais.

Se quiser apresentar uma reclamação, contacte o seu vendedor ou verifique a localização do agente de reparações Stanley autorizado no catálogo ou contacte com o seu escritório local nos endereços indicados neste manual. Uma lista de agentes autorizados de reparação Stanley e detalhes completos dos nossos serviços pós-venda estão disponíveis na internet em: [www.stanleytools.com](http://www.stanleytools.com)



## ضمان شامل لعام اثنان

## حماية البيئة

إذا وجد في منتج ستانلي عيوب تصنيع أو عيوب مواد في غضون ٢٤ شهراً من تاريخ الشراء، تضمن لك ستانلي يوروب استبدال كافة الأجزاء المعيبة دون مقابل أو - وفقاً لتقديرنا - استبدال الوحدة دون مقابل شريطة:

- عدم إساءة استخدام الجهاز وأن يكون الجهاز قد تم استخدامه وفقاً لـ دليل التعليمات:

- تعرض الجهاز للبلل العادي بالاستعمال:

- عدم القيام بأي إصلاحات بواسطة أشخاص غير معتمدين:

- تقديم إثبات للشراء:

- إعادة منتج ستانلي مكتملاً مع كافة مكوناته الأصلية

إذا كنت ترغب في إقامة دعوى، اتصل بالبائع أو تحقق من موقع أقرب وكيل إصلاح معتمد من ستانلي في دليل ستانلي أو اتصل بمكتب ستانلي المحلي على العنوان المشار إليه في الدليل. توجد قائمة بوكلاء الإصلاح المعتمدين من ستانلي وبياناتهم الكاملة لخدمات ما بعد البيع على موقع الإنترنت: [www.stanleytools.com](http://www.stanleytools.com)

فرز النفايات. يجب عدم وضع هذا المنتج مع النفايات المنزلية العادية.



إذا وجدت في يوم ما أنك بحاجة إلى استبدال منتج ستانلي، أو إذا لم تعد بحاجة إلى استخدامه، فلا تتخلص منه مع النفايات المنزلية. وقم بإتاحته للفرز.

يتم فرز المنتجات المستخدمة وتغليفها بإعادة تدوير المواد واستخدامها مرة أخرى. حيث يساعد إعادة استخدام المواد المعاد تدويرها في منع التلوث البيئي ويقلل من الطلب على المواد الخام.



وقد ننص اللوائح المحلية على فرز المنتجات الكهربائية عن النفايات المنزلية في مواقع نفايات البلدية أو بواسطة بائع التجزئة عند شراء منتج جديد. وتوفر ستانلي مرافق لجمع وإعادة تدوير منتجات ستانلي حينما تصل إلى نهاية عمرها الافتراضي للعمل. للاستفادة من هذه الخدمة، يرجى إعادة المنتج إلى أي وكيل إصلاح معتمد يقوم بجمعها نيابة عنا. يمكنك التحقق من موقع أقرب وكيل إصلاح معتمد من خلال الاتصال بمكتب ستانلي المحلي على العنوان المشار إليه في الدليل. وبدلاً من ذلك، توجد قائمة بوكلاء الإصلاح المعتمدين من ستانلي وبياناتهم الكاملة لخدمات ما بعد البيع وبيانات اتصالاتهم على موقع الإنترنت:

[www.helpU.com](http://www.helpU.com)



## التنظيف



تحذيراً! أفضل الجهاز من مصدر الطاقة قبل استخدام قطعة قماش لتنظيف غطاء المحرك. ومع تشغيل المحرك، قم بنفخ أي غبار أو أتربة خارج فتحات التهوية باستخدام الهواء الجاف مرة واحدة على الأقل كل أسبوع. واستخدم نظارات الحماية عند تنفيذ ذلك. يمكن تنظيف القطع البلاستيكية الخارجية باستخدام قطعة قماش رطبة ومنظف مخفف. ورغم أن هذه الأجزاء شديدة المقاومة للمذيبات، إلا أنه يجب عدم استخدام المذيبات مطلقاً.

## العناية بالجهاز

تجنب التحميل الزائد على الجهاز الكهربائي. قد يؤدي التحميل الزائد إلى انخفاض ملحوظ في سرعة الجهاز وكفاءته وكذلك فرط حرارة الجهاز. وفي هذه الحالة، قم بتشغيل الجهاز بدون حمل لمدة دقيقة أو دقيقتان حتى يبرد ويعود إلى درجة حرارة العمل العادية بفضل المروحة الداخلية. يؤدي تشغيل الجهاز وإيقاف تشغيله أثناء التحميل عليه إلى خفض عمر الجهاز بشكل ملحوظ.

## ملحوظة مهمة

لضمان سلامة الجهاز وموثوقيته، يجب إجراء أعمال الإصلاحات والصيانة والتعديل (بخلاف تلك الأعمال المنصوص عليها في هذا الدليل) في مراكز الخدمة المعتمدة والمؤسسات الأخرى المؤهلة باستخدام قطع غيار مطابقة دائماً. ولا يحتوي الجهاز من الداخل على أي أجزاء يمكن صيانتها بواسطة المستخدم.

## الملحقات

يعتمد أداء أي جهاز على نوع الملحقات المستخدمة. وتم تصميم ملحقات ستانلي وفقاً لمعايير عالية الجودة وتم تصنيعها بأفضل الخامات والمواد. تخضع الملحقات لاختبارات صارمة قبل طرحها بالأسواق، وهي مصممة لتزيد من كفاءة وأداء الأجهزة الكهربائية.

اشتر ملحقات ستانلي لتحقيق أفضل معدلات الأداء لأجهزتك الكهربائية. وتتوفر ملحقات ستانلي الموصى بها لدى البائعين ومراكز الخدمة المعتمدة في منطقتك. وتوفر ستانلي مجموعة كبيرة من الملحقات لدى البائعين أو مراكز الخدمة المعتمدة.

ملحوظة: لا تستخدم سوى العجلات المقننة بسرعة تساوي على الأقل السرعة القصوى المحددة على الجهاز.

تحذيراً! قد يكون استخدام أي ملحق آخر غير موصى به للاستخدام مع الجهاز خطراً.



تحذيراً! لا تستخدم سوى عجلات قطع الأحجار الماسية مع هذا الجهاز. لا تستخدم عجلات التجليخ أو الشفرات المسننة.



## معلومات الخدمة

توفر ستانلي شبكة كاملة من مراكز الخدمة المعتمدة المملوكة للشركة. ويعمل في جميع مراكز الخدمة التابعة لستانلي أفراد مؤهلون على تقديم خدمة فعالة وجديرة بالثقة لجميع الأجهزة بما يحقق رضا العملاء. لمزيد من المعلومات عن مراكز الخدمة المعتمدة التابعة للشركة أو إذا ما كنت

## المواصفات

STSP125		
القدرة	واط	1320
الجهد الكهربائي	فولط	220-240
التردد	هرتز	50/60
السرعة بدون حمل	/ دقيقة	13500 لفة في الدقيقة
قطر العجلة	ملم	125
عمق القطع	ملم	41
الوزن	كجم	3.1

## الخصائص (الشكل أ)

- يحتوي هذا الجهاز على خاصية تثبيت الجهاز على وضع التشغيل. لتفعيل هذه الخاصية، اضغط على مفتاح التشغيل / إيقاف التشغيل ثم اضغط على زر التثبيت (٢). ولإلغاء تفعيل هذه الخاصية، اضغط على مفتاح التشغيل / إيقاف التشغيل مرة أخرى.

تحذيراً! تذكر دائماً أن تقوم بإيقاف تشغيل الجهاز وفصله من مصدر الطاقة عند انتهاء العمل.



## القطع (الشكل هـ)

- قم بمحاذاة الحافة الأمامية للقاعدة مع خط القطع الموجود على قطعة العمل.
- امسك الجهاز جيداً.
- ضع القاعدة على قطعة العمل دون أن تتلامس العجلة.
- شغل الجهاز وانتظر حتى تصل العجلة إلى سرعتها القصوى.
- حرك الجهاز للأمام على سطح قطعة العمل، مع الاستمرار بسلاسة إلى أن يكتمل القطع.
- حافظ على استقامة خط القطع.

تحذيراً! لا تستخدم الجهاز إلا على الأسطح الأفقية فقط.

تأكد من تحريك الجهاز إلى الأمام برفق في خط مستقيم.

- قد يؤدي الضغط على الجهاز بقوة أو السماح للعجلة بالالتواء أو القرص أو الانثناء في القطع إلى ارتفاع درجة حرارة المحرك وارتداد الجهاز للخلف بشكلٍ خطير.
- عندما يكون عمق القطع أكثر من ٢٠ ملم، قم بعمل قطعين أو ثلاث قطع منفصلة لتفادي توقف المحرك.

## الصيانة

تم تصميم الجهاز للعمل لفترات طويلة بأقل صيانة ممكنة. ويتوقف استمرار الاستخدام المرضي للجهاز على إجراء الصيانة والتنظيف الدوري للجهاز وفق ما هو مطلوب. لا تقم بإصلاح الجهاز بنفسك. ويرجى إرسال الجهاز إلى مراكز خدمة ستانلي المعتمدة للصيانة والخدمة الدورية أو عند ملاحظة تغير كبير في الأداء.

## الفرش الكربونية (الشكل و)

- تحقق من الفرش السلكية واستبدالها بانتظام.
- استبدل الفرش الكربونية عندما تستهلك إلى ٦ ملم أو أقل.
- حافظ على نظافة الفرش الكربونية واجعلها تنزلق بحرية في حامل الفرشة. يجب استبدال فرشيتين معاً في نفس الوقت.
- لا تستخدم سوى الفرش الكربونية الخاصة بشركة ستانلي.
- استخدم مكف البراغى المشقوق ل فك أغطية الفرش (٥).

قم بإزالة الفرش البالية وأدخل الفرش الجديدة مكانها ثم أحكم ربط أغطية الفرش.

١. مفتاح تشغيل / إيقاف تشغيل

٢. زر تثبيت

٣. برغي فراشي الشكل

٤. قاعدة

٥. غطاء فراشي

٦. مفتاح ربط صندوقي

٧. محور دوران

## التجميع والتعديل

تحذيراً! قبل التجميع والتعديل، قم دائماً بفصل الجهاز من مصدر الطاقة.



تركيب وفك العجلة الماسية (الشكل ج)

- أدخل العجلة الماسية (٩) في محور الدوران.
- ثبت الشفة الخارجية بمحور الدوران (٧) ولف البرغي في عكس اتجاه عقارب الساعة باستخدام مفتاح الربط الصندوقي (٦).
- تأكد من إحكام ربط صامولة الزنق.
- لا تستخدم سوى العجلة الماسية الموصى بها ذات حجم الفتحة الصحيح.
- للفق
- اتبع الخطوات السابقة بترتيب عكسي.

تعديل عمق القطع (الشكل د)

- لزيادة أو تقليل عمق القطع، حرر البرغي الفراشي (٣) وحرك القاعدة (٤) لتعديل العمق، ثم أحكم ربط البرغي لتثبيت العمق.
- لمنع خلل الجهاز، تم ضبط مسمار تعديل عمق القطع على الوضع الأمثل للمعق الافتراضي للمصنع.
- ملحوظة: يمكن للمستخدمين أيضاً ضبط المسمار عند الوضع المرغوب في أي وقت.

## الاستخدام

- تحذيراً! يرجى مراعاة تعليمات السلامة واللوائح التنظيمية المطبقة.
- تحذيراً! تأكد من إحكام ربط البرغي الفراشي (٣) جيداً قبل تشغيل الجهاز.



التشغيل وإيقاف التشغيل (الشكل ب)

- لتشغيل الجهاز، اضغط على مفتاح التشغيل / إيقاف التشغيل (١).
- لإيقاف تشغيل الجهاز، حرر مفتاح التشغيل / إيقاف التشغيل (١).



فعلى سبيل المثال، إذا تعرضت عجلة التجليل للضغط أو التمرق بسبب قطعة العمل التي يتم جعلها، عندئذ تخرق حافة العجلة التي تدخل في نقطة الضغط سطح المادة، ما يتسبب في ارتفاع أو ارتداد العجلة، وقد تتطاير العجلة نحو المشغل أو بعيداً عنه حسب اتجاه حركة العجلة في نقطة الضغط. كما أن من الممكن أن تنكسر عجلات التجليل في ظل هذه الظروف.

ويحدث الارتداد نتيجة إساءة استخدام الجهاز و/أو تطبيق إجراءات أو ظروف التشغيل غير المناسبة، ويمكن تفاديه باتخاذ الاحتياطات المناسبة المبيّنة أدناه:

(١) اقبض على الجهاز بقوة بحيث يتيح لك مركز جسمك وذراعك مقاومة الارتداد. واستخدم دائماً المقبض الإضافي، إذا كان متوفراً، للسيطرة على القوى الارتدادية أو ردة فعل العزم أثناء بدء التشغيل. ويمكن للمشغل السيطرة عليهما باتخاذ الاحتياطات المناسبة.

(٢) لا تضع يدك بالقرب من العجلة الدوارة، إذ قد تردد الملحقات إلى يدك.

(٣) لا تجعل جسمك في محاذاة العجلة الدوارة. سوف يؤدي الارتداد إلى دفع الجهاز في الاتجاه المعاكس لحركة العجلة في وقت الضغط.

(٤) توج الحذر بشكل خاص عند التعامل مع الزوايا أو الحواف الحادة وغيرها. وتجنب ارتداد وضغط الملحقات. ويمكن للزوايا أو الحواف الحادة أو الارتداد أن يؤدي إلى ضغط الملحق الدوار، بحيث يسبب فقدان السيطرة على الجهاز أو ارتداده.

(٥) لا تتركب سلسلة المنشار أو شفرة نحت الخشب أو العجلة الماسية المقسمة التي بها فجوة محيطية تزيد عن ١٠ ملم أو شفرة المنشار المسنن، إذ أن تلك الشفرات تتسبب في تكرار ارتداد الجهاز وفقدان السيطرة عليه.

(٦) لا "تقع" حركة عجلة القطع أو تقطر في الضغط عليها. ولا تحاول إحداث قطع بعمق مبالغ فيه، إذ تؤدي زيادة الضغط على العجلة إلى زيادة الحمولات وقابلية التواء العجلة أو عرقلتها في القطع واحتمالية ارتداد العجلة أو انكسارها.

(٧) في حالة عرقلة حركة العجلة أو إعاقة عملية القطع لأي سبب من الأسباب، أوقف تشغيل الجهاز الكهربائي وحافظ على ثباته دون حركة حتى تتوقف العجلة عن الدوران تماماً. ولا تحاول إخراج عجلة القطع من القطع أثناء دوران العجلة وإلا فقد تردت. تحقق من الأمر واتخذ الإجراء التصحيحي المناسب للقضاء على سبب عرقلة حركة العجلة.

(٨) تجنب إعادة تشغيل عملية القطع داخل قطعة العمل التي يتم قطعها وانتظر حتى دوران العجلة بالسرعة الكاملة وأعد إدخال العجلة في القطع بحذر. تؤدي إعادة تشغيل الجهاز داخل قطعة العمل التي يتم قطعها إلى عرقلة حركة العجلة أو ارتفاعها للأعلى أو ارتدادها.

(٩) ادعم أية ألواح أو قطع عمل كبيرة الحجم يتم قطعها للحد من مخاطر ضغط العجلة أو ارتدادها، إذ أن قطع العمل الكبيرة تميل إلى الهبوط بسبب وزنها ومن ثم يجب وضع الدعائم تحت قطعة العمل التي يتم قطعها بالقرب من خط القطع وبالقرب من حافة قطعة العمل على كلا جانبي العجلة.

(١٠) ارتد معدات الحماية الشخصية. وعلى حسب نوع الاستخدام، استخدم واقي الوجه أو واقي العينين أو النظارات الواقية. وحسبما هو مطلوب، ارتد قناع الغبار وواقبات الأذن والقفازات ومريلة الورشة التي تقي من الشظايا الصغيرة للسحق أو لقطعة العمل. يجب أن يكون واقي العينين قادراً على الحماية من الشظايا المتطايرة الناشئة عن مختلف الاستخدامات. ويجب أن يكون قناع الغبار أو قناع التنفس قادراً على تصفية الجسيمات الصغيرة الناشئة عن استخدام الجهاز. قد يؤدي التعرض للضوضاء العالية لفترات طويلة إلى فقدان السمع.

(١١) حافظ على بقاء المارة على مسافة آمنة بعيداً عن منطقة العمل. يجب على كل شخص يدخل منطقة العمل ارتداء معدات الحماية الشخصية. قد تتطاير شظايا قطعة العمل أو العجلة المتفككة وتُحدث إصابات خارج منطقة العمل المباشرة.

(١٢) أمسك الجهاز الكهربائي من الأسطح المعزولة فقط عند العمل بالجهاز في حالة وجود احتمالية تلامس القاطع مع الأسلاك المخفية أو مع الكابلات الخاص بالجهاز. واعلم أن قطع الكابلات التي يسري بها التيار قد يوصل التيار إلى الأجزاء المعدنية المكشوفة، ما قد يعرض المشغل إلى مخاطر الإصابة بالمعدات الكهربائية.

(١٣) وجه كابل الجهاز بعيداً عن الملحق الدوار، في حالة فقدانك السيطرة على الجهاز، قد ينقطع الكابل أو يعلق بالملحق الدوار ويؤدي إلى جذب يدك أو ذراعك نحو العجلة الدوارة.

(١٤) لا تضع الجهاز الكهربائي على الأرض إلا بعد أن يتوقف الملحق الدوار تماماً، فقد يمسك الملحق الدوار بالسطح ويسحب الجهاز من قبضتك.

(١٥) لا تقم بتشغيل الجهاز الكهربائي أثناء حملته بجانبك. قد يؤدي التلامس العارض مع الملحق الدوار إلى تعلقه بملابسك وسحبك جسمك.

(١٦) قم بتنظيف فتحات التهوية في الجهاز الكهربائي بانتظام. سوف تقوم مروحة المحرك بسحب الغبار إلى داخل غطاء المحرك، وقد تؤدي زيادة تراكم الغبار المعدني إلى حدوث مخاطر كهربائية.

(١٧) لا تقم بتشغيل الجهاز بالقرب من المواد القابلة للاشتعال، حيث يمكن للشرر الناتج من هذا الجهاز أن يؤدي إلى اشتعالها.

(١٨) لا تستخدم الملحقات التي تحتاج إلى مبردات سائلة. قد يؤدي استخدام الماء أو المبردات السائلة الأخرى إلى الصعق الكهربائي أو الصدمة الكهربائية.

ملحوظة: لا ينطبق التحذير السابق على الأجهزة الكهربائية المصممة للاستخدام مع الأنظمة السائلة.

## تعليمات السلامة الإضافية الخاصة بأعمال القطع بالسحج أسباب الارتداد والتحذيرات المتعلقة بها

الارتداد هو رد فعل مفاجئ للعجلة الدوارة التي بها شق أو ضغط، ويؤدي الضغط أو التشنق إلى التوقف المفاجئ للملحق الدوار، ما يؤدي بدوره إلى اندفاع الجهاز إلى الاتجاه المعاكس لدوران الملحقات في وقت التوقف المفاجئ.

4. استخدام الجهاز الكهربائي والعناية به

أ. لا تضغط على الجهاز الكهربائي. استخدم الجهاز الكهربائي المناسب لاستعماله. حيث إن استخدام الجهاز الكهربائي يؤدي المهمة بشكل أفضل وأكثر أماناً بالسرعة التي تم تصميمه من أجلها.

ب. لا تستخدم الجهاز الكهربائي إذا كان المفتاح لا يقيم بالتشغيل أو الإيقاف. حيث إن أي جهاز كهربائي لا يمكن التحكم فيه باستخدام مفتاح التشغيل/الإيقاف يكون خطيراً ويجب إصلاحه.

ج. أفضل المقيس من مصدر الطاقة و/أو علبه البطارية من الجهاز الكهربائي قبل إجراء أي تعديلات أو تغيير أي ملحقات أو تخزين الجهاز الكهربائي. حيث تقلل تدابير السلامة الوقائية هذه من خطر تشغيل الجهاز دون قصد.

د. قم بتخزين الأجهزة غير المستخدمة بعيداً عن متناول الأطفال ولا تسمح للأشخاص غير المتعاملين مع الأجهزة الكهربائية أو غير المطلعين على هذه التعليمات بتشغيل الجهاز الكهربائي. حيث يمثل وجود الأجهزة الكهربائية في أيدي المستخدمين غير المدربين خطراً عليهم.

هـ. قم بصيانة الأجهزة الكهربائية. تحقق من أي اختلاف أو عائق في الأجزاء المتحركة أو كسر في الأجزاء أو أي حالة أخرى قد تؤثر على تشغيل الأجهزة. في حالة تعرض الأجهزة للتلف، قم بإصلاح الأجهزة قبل استخدامها. حيث تقع العديد من الحوادث بسبب الصيانة الرديئة للأجهزة.

و. احرص على حدة ونظافة أدوات القطع. من النادر أن تتسبب أدوات القطع المحفوظة بشكل مناسب، مع الحفاظ على حدة حواف القطع، في إعاقة الحركة فضلاً عن سهولة التحكم فيها.

ز. احرص على استخدام الجهاز الكهربائي والملحقات ولقم الجهاز وما إلى ذلك وفق هذه التعليمات، مع الأخذ في الاعتبار ظروف العمل والعمل المطلوب تنفيذه. قد يؤدي استخدام الجهاز الكهربائي في عمليات مختلفة بخلاف الاستخدام المخصص لها إلى وقوع مخاطر.

5. الصيانة

أ. قم بإصلاح وصيانة الجهاز بواسطة شخص مؤهل باستخدام الأجزاء البديلة المطابقة فقط. وسوف يضمن ذلك الحفاظ على سلامة الجهاز الكهربائي.

تعليمات السلامة الخاصة بأعمال القطع بالسحج تحذيرات السلامة الخاصة بجهاز القطع

(1) ينبغي تثبيت الواقي المزود مع الجهاز جيداً في الوضع الذي يحقق أقصى درجات السلامة لتقليل مساحة الجزء المكشوف من العجلة

في اتجاه المشغل. حافظ على بقائك وبقاء من حولك بعيداً عن مسار العجلة الدوارة. يساعد الواقي في حماية المشغل من شظايا العجلة المكسورة ومن الاتصال العارض بالعجلة.

(2) لا تستخدم سوى عجلات القطع الماسية مع الجهاز الكهربائي الخاص بك. إن إمكانية تركيب الملحق على جهازك لا تستلزم بالضرورة إمكانية التشغيل الآمن.

ملحوظة: استخدم المصطلح "الماسية" حيثما ينطبق، بناءً على اسم الجهاز.

(3) يجب أن تكون السرعة المقننة للملحق الدوار على الأقل مساوية للسرعة القصوى المحددة على الجهاز. قد يؤدي تشغيل الملحقات بسرعة أكبر من سرعتها المقننة إلى انكسارها أو تطايرها.

(4) لا يجوز استخدام العجلات إلا في الاستخدامات الموصى بها. على سبيل المثال، لا تقم بالتجليخ باستخدام الوجه الجانبي لعجلة القطع. إن عجلات القطع بالسحج مصممة للتجليخ المحيطي، وقد يؤدي الضغط المحيطي على تلك العجلات إلى تفككها.

(5) استخدم دائماً شفاة عجلات غير تالفة ذات قطر صحيح يتناسب مع العجلة المحددة. تساعد شفاة العجلات الصحيحة في دعم العجلة ومن ثم تقليل احتمالية انكسارها.

(6) لا تستخدم العجلات المدعمة البالية من الأجهزة الكهربائية الأكبر العجلات المخصصة للأجهزة الكهربائية الأكبر غير مناسبة للسرعة العالية للجهاز الأصغر، وقد تتفكك.

ملحوظة: لا ينطبق التحذير السابق على الأجهزة المصممة خصيصاً للاستخدام مع العجلات الماسية.

(7) يجب أن يكون القطر الخارجي وسماكة الملحق الدوار في حدود تصنيف كفاءة الجهاز الكهربائي الخاص بك. لا يمكن حماية الملحقات ذات الأحجام غير المناسبة أو التحكم بها.

(8) يجب أن يتناسب حجم تعريشة العجلات والشفاة مع محور دوران الجهاز الكهربائي. سوف تدور العجلات والشفاة التي لها فتحات تعريشة لا تتناسب مع محور التثبيت الخاص بالجهاز الكهربائي بشكل غير متوازن وتهتز بشكلٍ مفرط وقد تتسبب في فقدان السيطرة.

(9) لا تستخدم العجلات التالفة. وقبل كل استخدام، تحقق من عدم وجود شظايا أو شقوق في العجلات. وفي حالة سقوط الجهاز الكهربائي أو العجلة، تحقق من عدم تلفها أو قم بتركيب عجلة غير تالفة. وبعد الفحص وتركيب العجلة، وجّه نفسك ومن حولك بعيداً عن مسار العجلة الدوارة، وقم بتشغيل الجهاز بأقصى سرعة بدون حمل لمدة دقيقة واحدة. عادةً ما تتفكك العجلات التالفة خلال فترة الاختبار هذه.

د. لا تسيء استخدام السلك. لا تستخدم السلك في حمل أو سحب الجهاز الكهربائي أو نزعها من المقبس. احرص على إبعاد السلك عن الحرارة والنفط والحواف الحادة أو الأجزاء المتحركة. حيث إن الأسلاك التالفة أو المتشابهة تزيد من خطر حدوث صدمة كهربائية.

هـ. عند تشغيل الجهاز في الخارج، استخدم سلك تمديد مناسب للاستخدام الخارجي. حيث إن استخدام سلك مناسب للاستخدام الخارجي يقلل من خطر حدوث صدمة كهربائية.

و. إذا كان يجب تشغيل الجهاز الكهربائي في مكان رطب، فاستخدم موصل محمي لقاطع الدورة (RCD). إن استخدام قاطع الدورة يقلل من خطر حدوث صدمة كهربائية.

ملاحظة: يمكن استبدال كلمة "قاطع الدورة" (RCD) بكلمة "قاطع التيار" (GFCI) أو بكلمة "قاطع الحماية من التسرب الأرضي" (ELCB).

### 3. السلامة الشخصية

أ. توخ الحذر وراقب ما تقوم به واستخدم حسك العام عند تشغيل جهاز كهربائي. لا تستخدم أي جهاز كهربائي حينما تكون مرهقاً أو تحت تأثير المخدرات أو الكحول أو الدواء. قد تؤدي لحظة عدم انتباه واحدة أثناء تشغيل الأجهزة الكهربائية إلى وقوع إصابة شخصية خطيرة.

ب. استخدم معدات الحماية الشخصية. احرص دوماً على ارتداء واقي العينين. إن استخدام معدات الحماية مثل قناع الأتربة وأحذية السلامة المقاومة للانزلاق والخوذة الصلبة وواقي الأذن في الظروف المناسبة يقلل من وقوع الإصابات الشخصية.

ج. تجنب التشغيل العرضي. احرص على أن يكون مفتاح التشغيل في وضع إيقاف قبل توصيله بمصدر الطاقة أو/أو علب البطارية أو قبل التقاط الجهاز أو حملها. قد تقع حوادث نتيجة حمل الأجهزة الكهربائية مع وضع الأصبع على مفتاح التشغيل أو توصيل الأدوات الكهربائية بالمقبس حينما يكون مفتاح التشغيل على وضع التشغيل.

د. قم بإزالة أي مفتاح ضبط أو مفتاح ربط قبل تشغيل الجهاز. فقد يؤدي ترك مفتاح الربط أو المفتاح عالقاً في الجزء الدوار بالجهاز إلى وقوع إصابات شخصية.

هـ. لا تمد يديك بالجهاز لمسافة بعيدة. ضع قدميك في موضع مناسب واحتفظ بالتوازن المناسب في جميع الأوقات. حيث يتيح لك ذلك إمكانية التحكم بشكل أفضل في الجهاز في المواقف غير المتوقعة.

و. ارتد ملابس مناسبة. لا ترتد الملابس الفضفاضة أو الحلي. احرص على إبقاء شعرك وملابسك وقفازاتك بعيدة عن الأجزاء المتحركة. فقد تسحب الأجزاء الدوارة الملابس الفضفاضة أو الحلي أو الشعر الطويل.

ج. إذا كانت الأجهزة معدة للتوصيل بوسائل إزالة أو تجميع الأتربة، فاحرص على توصيلها واستخدامها بشكل مناسب. حيث إن استخدام وسائل جمع الأتربة قد يقلل من المخاطر المرتبطة بها.

لا تقم بإعادة هذا المنتج إلى المخزن، عليك الاتصال أولاً بمكتب ستانلي المحلي أو أقرب مركز خدمة معتمد.

### قواعد السلامة العامة

تحذيراً: اقرأ كافة التعليمات وأفهمها جيداً. قد يؤدي عدم اتباع التعليمات الواردة أدناه إلى حدوث صدمة كهربائية أو حريق و/أو إصابة شخصية خطيرة.



### احفظ هذه التعليمات

#### تعليمات السلامة

تحذيرات عامة عند استخدام الأجهزة الكهربائية

تحذيراً: اقرأ كافة التعليمات وكافة تحذيرات السلامة. قد يؤدي عدم اتباع التعليمات والتحذيرات الواردة أدناه إلى حدوث صدمة كهربائية أو حريق و/أو إصابة شخصية خطيرة.



احفظ كافة التحذيرات والتعليمات للرجوع إليها في المستقبل

تشير كلمة "الجهاز الكهربائي" في كافة التحذيرات الواردة أدناه إلى الجهاز الكهربائي الذي يعمل (بواسطة أسلاك) بواسطة الموصلات الرئيسية أو الجهاز الكهربائي الذي يعمل بواسطة بطارية (بدون أسلاك).

#### 1. سلامة منطقة العمل

أ. احرص على نظافة وإضاءة منطقة العمل بشكل جيد. حيث تؤدي المناطق غير المنظمة والمظلمة إلى وقوع حوادث.

ب. لا تشغيل الجهاز في أجواء قابلة للانفجار، مثلًا عند وجود سوائل أو غازات أو غبار قابل للاشتعال. فالأجهزة الكهربائية تطلق شرراً قد يؤدي إلى اشتعال الغبار أو الدخان.

ج. احرص على إبعاد الأطفال والمتواجدين في منطقة العمل عن الجهاز الكهربائي. فقد يتسبب الإلهاء في فقدانك للسيطرة.

#### 2. السلامة الكهربائية

أ. يجب أن تتطابق مقاييس الجهاز الكهربائي مع المنفذ. لا تقم بتعديل المقبس بأي حال. لا تستخدم أي مقاييس مهيئات مع أجهزة كهربائية (مؤرضة). سوف تؤدي المقاييس غير المعدلة والمنافذ المطابقة إلى تقليل خطر حدوث صدمة كهربائية.

ب. تجنب ملامسة الجسد للأسطح المؤرضة مثل الأنابيب والمشعاع والثلاجات، فإذا تلامس الجسد بسطح مؤرض، فسوف يزداد خطر حدوث صدمة كهربائية.

ج. لا تعرض الأجهزة الكهربائية للمطر أو لظروف رطبة. فإن دخول الماء إلى الجهاز الكهربائي يؤدي إلى زيادة خطر حدوث صدمة كهربائية.

FIG. A

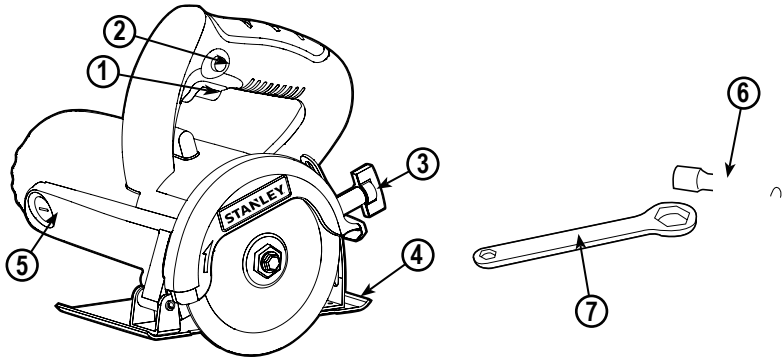


FIG. B

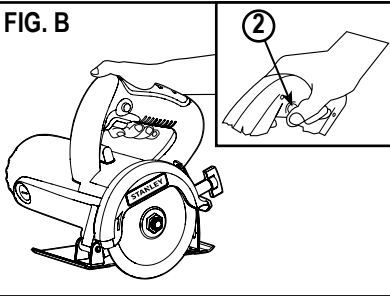


FIG. C

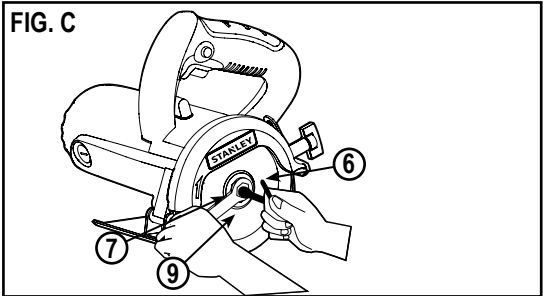


FIG. D

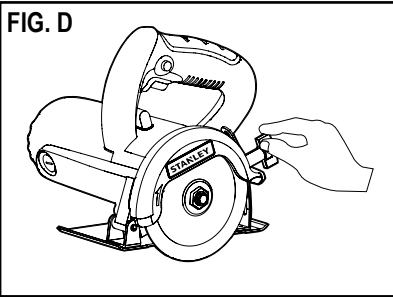


FIG. E

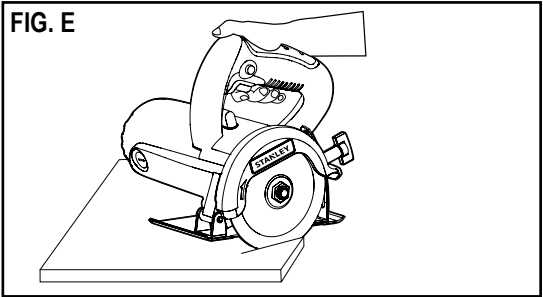
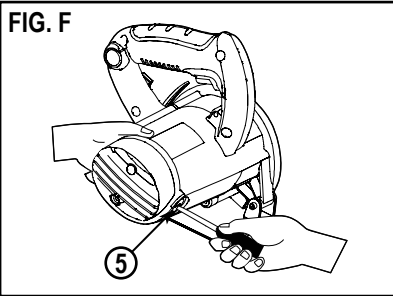


FIG. F





## Names & Addresses for STANLEY Service Concessionaries - MIDDLE EAST & AFRICA

**ALGERIA:** Sarl Outillage Corporation, 08 Rue Med Boudiaf - Cheraga - Algiers, Algeria. Tel: (213-21) 375130, Fax: (213-21) 369667. **ANGOLA:** Angoferraria, Lda., Rua Robert Shields, No. 61, Luanda, Angola. Tel: 00244-222-395837 / 222-395034, Fax: 00244-222-394790. **AZERBAIJAN:** Royalton Holdings Ltd. 41 Khagani St. Apt. 47 AZ 1001, Baku. Tel: (994-12) 4935544, Fax: (994-12) 5980378. **BAHRAIN:** Kavalani & Sons W.L.L., P.O. Box 71, Sitra, Manama, Tel: (973) 17732888, Fax: (973) 17737379. Alfouz Services Co. W.L.L., P.O. Box 26562, Tubli, Manama. Tel: (973) 17783562, Fax: (973) 17783479. **EGYPT:** El Farab S.A.E., 15-Nabil El Wakkad Street, Dokki, Giza, Egypt. Tel: 00202-37603946 / 002-010-2582544, Fax: 00202-33352796. **ETHIOPIA:** Seif Tewfik Sherif, Arada Sub-City, Kebele 01/02, Global Insurance Building, 2nd Floor, Room 43, P.O. Box 2525, Addis Ababa, Ethiopia. Tel: (251-11) 1563968/ 1563969, Fax: (251-11) 1558009. **IRAQ:** Financial Links, Kazzaz Building Ararat Al-Hindia Block No: 629 Street: 31 Building No: 1 Baghdad - Iraq. Tel: 00964 (0)780 195 2223/ 00964 (0)781 3763044. Al Sard Co. for General Trading Ltd. Jbara Bldg. 3Flr, Al Rasheed St. Bagdad. Tel: (964) 18184102. Sakhar Group, Arrasat al-hindya Al Masbah, Baghdad. (964) 7400144446. **JORDAN:** Palestine Intl. Matl. (Bashiti Hardware), 93 King Abdullah 2nd Street. Opp. ELBA House, P.O. Box 3005, Amman 11953, Tel: (962-6) 5349098, Fax: (962-6) 5330731. **KENYA:** Dextron Tools Ltd., P.O. Box 20121-00200, Shariff House, Kimathi Street, Nairobi. Tel: (254-20) 6905000/ 2358021, Fax: (254-20) 6905111/ 6905112. **KUWAIT:** Al Omar Technical Co., P.O. Box 4062, 13041 Safat, Kuwait. Tel: (965) 24848595/ 24840039, Fax: (965) 24845652. Fawaz Al Zayani Establishment, P.O. Box 42426, Shop No. 18, Al Humaizi Commercial Complex, Khalifa Al Jassim, Shuwaikh, Kuwait. Tel: (965) 24828710, Fax: (965) 24828716. Fawaz Al Zayani Establishment, P.O. Box 42426, Shop No.18, Al Humaizi Commercial Complex, Khalifa Al Jassim, Shuwaikh, Kuwait. Tel: (965) 24828710, Fax: (965) 24828716. Fawaz Al Zayani Establishment, Fahaeel Industrial Area, Main St., Sanaya, Kuwait. Tel: (965) 23925830, Fax: (965) 24828716. **LEBANON:** Est. Shaya & Azar S.A.R.L., Boulevard Jdeideh - Mar Takla - Bouchrieh P.O. Box 90545 Jdeideh.Beirut - Lebanon. Tel: 00961 1 872305 / 306 , Fax: 00961 1 872303. **LIBYA:** North Africa Trading ( El Ghoul Brothers), AlHilal Service Center Tawergha St. Misurata. Tel: 00218-091-3221408. **(Benghazi)** Sniydal st., Amr Ibn El-As Rd. Tel: (+218) 92 5771120. **(Tripoli)** Al Barniq Service Center, Mokhazin elskar st., ElFallah. Tel: (+218) 21 4808019. **(Misrata)** Al Hilal Service Center, Tawergha st. Tel: (+218) 51 2626743. **MAURITIUS:** Robert Le Marie Limited, Old Moka Road, Bell Village, P.O. Box 161, Port Louis, Tel: 00230-212 1865/ 212 2847, Fax: 00230-2080843. **MOROCCO:** Ets Louis Guillaud & Cie, 149, Quartier Industriel, Moulay Rachid, Casablanca, Postal Code 20450, Morocco. Tel: 00212-522729233, Fax: 00212-522729096. **NIGERIA:** Meridian Power Tools Ltd., Gr.Floor, #1 Alhaji Masha Rd, Next to Teslim Balogun Stadium, Near National Stadium Surulere, Lagos, Nigeria. Tel: 00234-1-7740431 / 7740410, Fax: 00234-1-7913798. **OMAN:** Al Jizzi Company LLC, P.O. Box 1704, PC 112 Ruwi, Oman. Tel: (968) 24832618/ 24835153, Fax: (968) 24831334/24836460. Al Hassan Technical & Construction Supplies Co. LLC, P.O. Box 1948, P.C. 112, Ruwi, Tel: (968) 24810575 / 24837054, Fax: (968) 24810287/ 24833080. Oman Hardware Co. LLC, P.O. Box 635, Ruwi Postal Code 112, Te. (968) 24815131, Fax: (968) 24816491. Khimji Ramdas, P.O. Box 19, Post Code 100, Ghala, Muscat, Oman. Tel: (968) 24595906/ 907, Fax: (968) 24852752. Oman Marketing & Service Co. (Omasco), P.O. Box 2734, Behind Honda Showroom, Wattayah, Oman. Tel: (968) 24560232/ 24560255, Fax: (968) 24560993. Oman Marketing & Service Co. (Omasco), Al Ohi, Sohar, Oman. Tel: (968) 26846379, Fax: (968) 26846379. Oman Marketing & Service Co. (Omasco), Sanaya, Salalah, Oman. Tel: (968) 23212290, Fax: (968) 23210936. **PAKISTAN:** ZIT Co - Nasir & Bros., 2nd Floor, Qadri Center, Chokh Dalgran Railway Road, Lahore, Pakistan. Tel: 0092 42 37670839, Fax: 0092 42 37652989. Ammar Service & Spares, 60-Bank Arcade, Serai Road, Karachi, Pakistan. Tel: (92-21) 32426905, Fax: (92-21) 32427214. **QATAR:** Teyseer Industrial Supplies & Services Co. W.L.L, 55, Al Wakalat St. (Between St. 18 & 19) Salwa Industrial Area, P.O. Box 40523 Doha, Qatar. Tel: (974) 44581536, Fax: (974) 44682024. Shaheen Electrical Works & Trading Co. W.L.L, Gate 34, St. 44 Industrial Area P.O. Box 9756, Doha, Qatar. Tel: (974) 44600230 / 44600525, Fax: (974) 44601338. Al Mufthah Service Centre, Al Wakrah Road, P.O. Box 875, Doha, Qatar. Tel: (974) 44650880/ 44650110/ 44446868, Fax: (974) 44441415 / 44662599. **SAUDI ARABIA: (Al Bahr)** Mohamed Ahmed Bin Afif Est., P.O. Box 530, Yanbu, Al Bahr. Tel: (966-4) 3222626/ 3228867, Fax: (966-4) 3222210. **(Al Khobar)** Fawaz Ebrahim Al Zayani Trading Est., P.O. Box 76026, Al Khobar # 31952, Tel: (966-3) 8140914, Fax: (966-3) 8140824. MSS (Al-Mojil Supply & Services) P.O. Box 450, Jubail 31951, Opp. Gulf Bridge Library & Riyadh House. Tel: (966-3) 3612850/ 3624487/ 3621729, Fax: (966-3) 3623589/ 3620783. **(Dammam)** MSS (Al-Mojil Supply & Services), P.O. Box 450, Jubail 31951, Opp-Gulf Bridge Library & Riyadh House. Tel: (966-3) 3612850 / 3624487 / 3621729, Fax: (966-3) 3623589 / 3620783. **(Al Bawardi Tools & Hardware)**, P.O. Box 112, Dammam, Tel: (966-3) 8330780 Ext.24 / 8348585 Ext. 24 / +966-3-8335555, Fax: (966-3) 8336303. **(Al Hassa)** Mutawa Trading & Gen. Services, Maliki road Hafuf city, Al Hassa, KSA. Tel: (966-6) 502846275 **(Jeddah)** Al Bawardi Tools & Hardware, P.O. Box 16905, Jeddah 21474, Tel: (966-2) 6444547 / 6439035 / 6456095, Fax: (966-2) 6439024. EAC (Al Yousef Contg. & Trdg. Est.), P.O. Box 30377, Jeddah -21477, Tel: (966-2) 6519912, Fax: (966-2) 6511153. **(Madina)** Garziz Trading for Bldg Mat & Decoration, P.O. Box 3364, Madina. Tel: (966-4) 826 14 90 / 8227636, Fax: (966-4) 8265741. **(Riyadh)** Industrial Material Organization (IMO), P.O. Box 623, Rial Street ,Riyadh, Tel: (966-1) 4028010 Ext 26 / 8001245757, Fax: (966-1) 4037970. Sultan Garment Factory (RSC), P.O. Box 29912, Riyadh 11467, KSA, Tel: (966-1) 4055148 / 4042889, Fax: (966-1) 4055148. Al Bawardi Tools & Hardware, P.O. Box 68, Riyadh 11411, Tel: (966-1) 4484999, Fax: (966-1) 4487877. **(Yanbu)** Fawaz Ebrahim Al Zayani, Opposite to Al Fouzan, Jeddah highway or King Abdul Aziz road, Yanbu. Tel: (966-4) 3960980, Fax: (966-4) 3961980. Mohamed Ahmed Bin Afif Est., P.O. Box 530, Yanbu, Al Bahr, Tel: (966-4) 3222626/ 3228867, Fax: (966-4) 3222210. **SOUTH AFRICA:** Stanley Black & Decker - RSA, 199 Winetree Drive Stormill Exit 9 Rooodepoort. Tel: (2711) 472 0454, Fax: (2711) 472 0482. Trevco Power Tool Service 14 Steenbok Street, Koedoespoort, 0186, Pretoria, South Africa. Tel: (27-86) 1873826, Fax: (27-86) 5001771. **TANZANIA:** General Motors investment Ltd., P.O. Box 16541, 14 Nyerere Road, Vingunguti, Dar-es-Salaam. Tel: (255 22) 2862661/ 2865022, Fax: (255 22) 2862667. **TUNISIA:** Societe Tunisienne De Maintenance (STM), Rue de la Physique. Nouvelle Zone Industrielle Ben Arous., 2013 Ben Arous, Tunisia. Tel: (+216) 79 389687, Fax: (+216) 71 385154. **UAE: (Abu Dhabi)** Light House Electrical, P.O. Box 120, Abu Dhabi. Tel: (971-2) 6726131, Fax: (971-2) 6720667. Galaxy Equipment Trading, Madinat Zayed (Baada Zaid), Abu Dhabi P.C. 58910, Tel: (971-2) 8844279, Fax: (971-2) 8844297 **(Ajman)** Al Sukoon Gen. Trdg. Co. LLC, P.O. Box 2975, Ajman. Tel: (971-6) 7435725/ 7438317, Fax: (971-6) 7437350, Al Sukoon Gen. Trdg. Co. LLC, P.O. Box 2975, Ajman, Tel: (971-6) 7435725 / 7438317, Fax: (971-6) 7437350 **(Al Ain)** Zillion Equipment and Spare Parts Trading LLC, P.O. Box 19740, Opp. Bin Sada/ Trimix Redymy Sanaiya, Al Ain. Tel: (971-3) 7216690, Fax: (971-3) 7216103. **(Dubai)** Black & Decker (Overseas) GmbH, P.O. Box 5420, Dubai. Tel: (971-4) 8127400/ 8127406, Fax: (971-4)2822765. Ideal Star Workshop Eqp't.Trading LLC, P.O. Box 37116, Al Quoz, Dubai. Tel: (971-4) 3474160, Fax: (971-4) 3474157, Fine Tools, P.O.Box 30139 , Al Quoz, Dubai, Tel: (971-4) 3385240, Fax: (971-4) 3385239, Albreah Engineering Service, P.O. Box 78954, Al Qusais , Dubai. Tel: (971-4) 2850044, Fax: (971-4) 2844802. **(Musafah)** Light House Electrical, P.O. Box 120, Abu Dhabi. Tel: (971-2) 5548315, Fax: (971-2) 5540461. **(Sharjah)** Mc Coy Middle East LLC, P.O. Box 25793, Sharjah, Tel: (971-6) 5395931, Fax: (971-6) 5395932. Burj Al Madeena, Industrial Area No.1, Opp. Pakistani Masjid, P.O. Box 37635, Sharjah. Tel: (971-6) 5337747, Fax: (971-6) 5337719. Burj Al Madeena , Industrial Area No 1 opp Pakistani Masjid P.O. Box 37635, Sharjah, Tel: (971-6) 5337747, Fax: (971-6) 5337719 **(Ras Al Khaimah)** Mc Coy Middle East LLC, P.O. Box 10584, Ras Al Khaimah, Tel: (971-7) 2277095, Fax: (971-7) 2277096. **UGANDA:** The Building Center (U) Ltd., 52 Station Road, Kitgum House, P.O. Box 7436, Kampala, Uganda. Tel: (256-41) 4234567/ 4259754, Fax: (256-41) 4236413. **YEMEN: (Aden)** Middle East Trad. Co. Ltd. (METCO), Mualla Dakka, Aden, Yemen. Tel: (967-2) 222670, Fax: (967-2) 222670. **(Sana'a)** Middle East Trad. Co. Ltd. (METCO), Hayel St., Sana'a, Yemen. Tel: (967-1) 204201, Fax: (967-1) 204204. **(Taiz)** Middle East Trading Co. (METCO), P.O. Box 12363, 5th Flr, Hayel Saeed Anam Bldg, Al-Mugamma St. Taiz, Yemen. Tel: (967-4) 213455, Fax: (967-4) 219869.