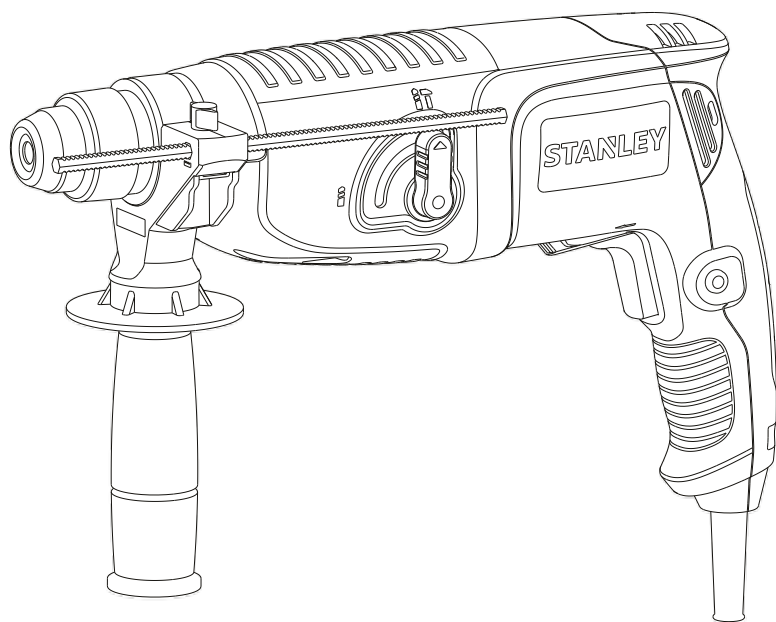
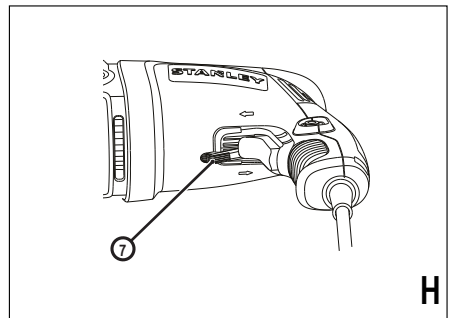
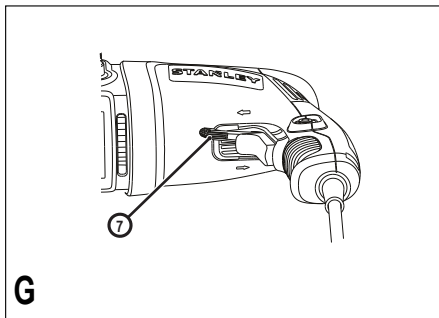
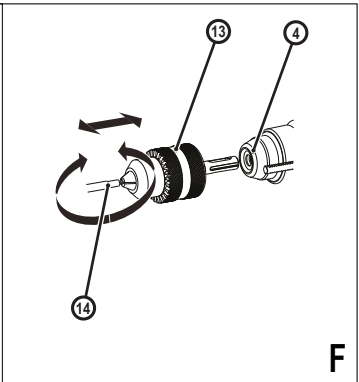
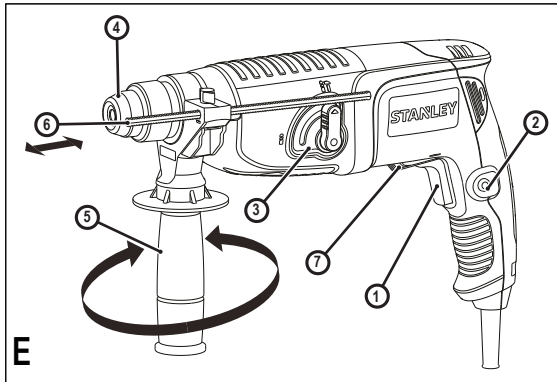
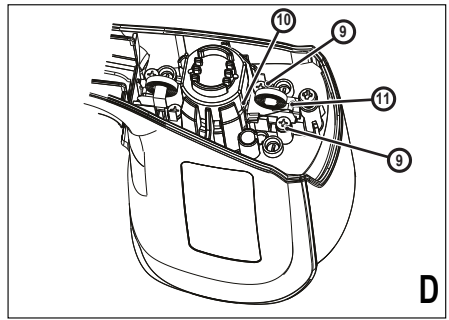
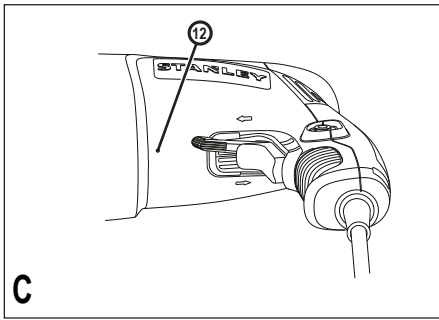
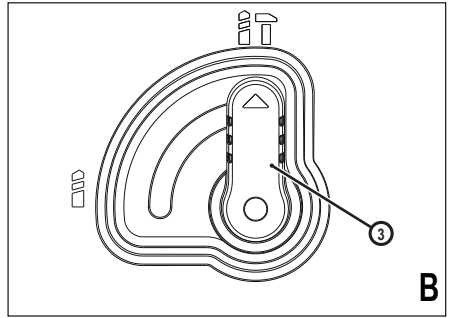
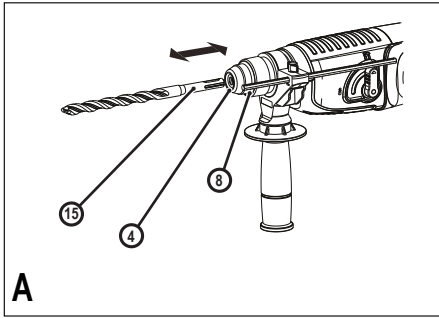


STANLEY®



STHR202

English	Page	03
Turkish	Page	09
Russian	Page	15
Ukrainian	Page	23



Intended use

Your STANLEY SDS plus rotary hammer STHR202 is intended to drill holes in concrete, bricks, wood, and steel. This tool is intended for professional use.

Safety instructions

General Power Tool Safety Warnings



Warning! Read all safety warnings and all instructions. Failure to follow the warnings and instructions may result in electric shock, fire and/or serious injury.

Save all warnings and instructions for future reference.

The term "power tool" in the warnings refers to your mainsoperated (corded) power tool or battery-operated (cordless) power tool.

1. **Work area safety**
 - a. **Keep work area clean and well lit.** Cluttered or dark areas invite accidents.
 - b. **Do not operate power tools in explosive atmospheres, such as in the presence of flammable liquids, gases or dust.** Power tools create sparks which may ignite the dust or fumes.
 - c. **Keep children and bystanders away while operating a power tool.** Distractions can cause you to lose control.
2. **Electrical safety**
 - a. **Power tool plugs must match the outlet. Never modify the plug in any way. Do not use any adapter plugs with earthed (grounded) power tools.** Unmodified plugs and matching outlets will reduce risk of electric shock.
 - b. **Avoid body contact with earthed or grounded surfaces such as pipes, radiators, ranges and refrigerators.** There is an increased risk of electric shock if your body is earthed or grounded.
 - c. **Do not expose power tools to rain or wet conditions.** Water entering a power tool will increase the risk of electric shock.
 - d. **Do not abuse the cord. Never use the cord for carrying, pulling or unplugging the power tool. Keep cord away from heat, oil, sharp edges or moving parts.** Damaged or entangled cords increase the risk of electric shock.
 - e. **When operating a power tool outdoors, use an extension cord suitable for outdoor use.** Use of a cord suitable for outdoor use reduces the risk of electric shock.
 - f. **If operating a power tool in a damp location is unavoidable, use a residual current device (RCD) protected supply.** Use of an RCD reduces the risk of electric shock. **Note:** The term "residual current device (RCD)" may be replaced by the term "ground fault circuit interrupter (GFCI)" or "earth leakage circuit breaker (ELCB)".
3. **Personal safety**
 - a. **Stay alert, watch what you are doing and use common sense when operating a power tool. Do not use a power tool while you are tired or under the influence of drugs, alcohol or medication.** A moment of inattention while operating power tools may result in serious personal injury.
 - b. **Use personal protective equipment. Always wear eye protection.** Protective equipment such as dust mask, non-skid safety shoes, hard hat, or hearing protection used for appropriate conditions will reduce personal injuries.
 - c. **Prevent unintentional starting. Ensure the switch is in the off-position before connecting to power source and/or battery pack, picking up or carrying the tool.** Carrying power tools with your finger on the switch or energising power tools that have the switch on invites accidents.
 - d. **Remove any adjusting key or wrench before turning the power tool on.** A wrench or a key left attached to a rotating part of the power tool may result in personal injury.
 - e. **Do not overreach. Keep proper footing and balance at all times.** This enables better control of the power tool in unexpected situations.
 - f. **Dress properly. Do not wear loose clothing or jewellery. Keep your hair, clothing and gloves away from moving parts.** Loose clothes, jewellery or long hair can be caught in moving parts.
 - g. **If devices are provided for the connection of dust extraction and collection facilities, ensure these are connected and properly used.** Use of dust collection can reduce dust-related hazards.
4. **Power tool use and care**
 - a. **Do not force the power tool. Use the correct power tool for your application.** The correct power tool will do the job better and safer at the rate for which it was designed.
 - b. **Do not use the power tool if the switch does not turn it on and off.** Any power tool that cannot be controlled with the switch is dangerous and must be repaired.
 - c. **Disconnect the plug from the power source and/or the battery pack from the power tool before making any adjustments, changing accessories, or storing power tools.** Such preventive safety measures reduce the risk of starting the power tool accidentally.
 - d. **Store idle power tools out of the reach of children and do not allow persons unfamiliar with the power tool or these instructions to operate the power tool.** Power tools are dangerous in the hands of untrained users.
 - e. **Maintain power tools. Check for misalignment or binding of moving parts, breakage of parts and any other condition that may affect the power tools operation. If damaged, have the power tool repaired before use.** Many accidents are caused by poorly maintained power tools.

- f. **Keep cutting tools sharp and clean.** Properly maintained cutting tools with sharp cutting edges are less likely to bind and are easier to control.
- g. **Use the power tool, accessories and tool bits etc. in accordance with these instructions, taking into account the working conditions and the work to be performed.** Use of the power tool for operations different from those intended could result in a hazardous situation.
5. **Service**
- a. **Have your power tool serviced by a qualified repair person using only identical replacement parts.** This will ensure that the safety of the power tool is maintained.

* **Note:** Mains voltage: When connecting to the mains, it is imperative to verify if the voltage of the mains matches that of the power tool. If the mains voltage exceeds the voltage indicated on the power tool, the user may become severely injured in an accident, and the tool may be damaged. On the contrary, if the mains voltage is lower than the voltage required by the tool, the motor may be damaged as a result. Thus, if it is not possible to verify the voltage, it is imperative not to plug in to the power source.

Hammer safety warnings

- **Wear ear protectors.** Exposure to noise can cause hearing loss.
- **Use auxiliary handle(s), if supplied with the tool.** Loss of control can cause personal injury.
- **Hold power tool by insulated gripping surfaces, when performing an operation where the cutting accessory may contact hidden wiring or its own cord.** Cutting accessory contacting a "live" wire may make exposed metal parts of the power tool "live" and could give the operator an electric shock.
- Never use a chisel accessory in rotary mode. The accessory will bind in the material and rotate the drill.
- Use clamps or another practical way to secure and support the workpiece to a stable platform. Holding the work by hand or against your body leaves it unstable and may lead to loss of control.
- Before drilling into walls, floors or ceilings, check for the location of wiring and pipes.
- Avoid touching the tip of the drill bit after drilling so as to avoid scalding.
- The intended use is described in this instruction manual. The use of any accessory or attachment or performance of any operation with this tool other than those recommended in this instruction manual may present a risk of personal injury and/or damage to property.

Safety of others

- This appliance is not intended for use by persons (including children) with reduced physical, sensory or

mental capabilities, or lack of experience and knowledge, unless they have been given supervision or instruction concerning use of the appliance by a person responsible for their safety.

- Children should be supervised to ensure that they do not play with the appliance.







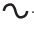

Other risks

Additional residual risks may arise when using the tool which may not be included in the enclosed safety warnings. These risks can arise from misuse, prolonged use etc. In spite of the application of the relevant safety regulations and the implementation of safety devices, certain risks cannot be avoided. These are:

- Injuries caused by touching any rotating/moving parts.
- Injuries caused when changing any parts, blades or accessories.
- Injuries caused by prolonged use of a tool. When using any tool for prolonged periods ensure you take regular breaks.
- Impairment of hearing.
- Health hazards caused by breathing dust developed when using your tool (example:- working with wood, especially oak, beech and MDF.)

Labels on tool

The label on your tool may include the following symbols along with the date code:

	Read Instructions Manual	Hz Hertz	 Class II Construction
	Use Eye Protection	W Watts	 Earthing Terminal
	Use Ear Protection	min minutes	 Safety Alert Symbol
			 Alternating Current
			 Direct Current
V Volts	/min..	 Revolutions or Reciprocation per minute
A Amperes		n_0 No-Load Speed		


Position of date barcode

The Date Code, which also includes the year of manufacture, is printed into the housing.

Example:

2017 XX JN
Year of manufacturing

Electrical Safety

 Your tool is double insulated; therefore no earth wire is required. Be sure to check that the power supply corresponds to the voltage on the rating plate. Corresponds.

- If the supply cord is damaged, it must be replaced by the manufacturer or an authorised STANLEY Service Centre in order to avoid a hazard.

Using an Extension Cable

If it is necessary to use an extension cable, please use an approved extension cable that fits the tool's power input specifications (please refer to the technical data). The minimum cross-sectional area of the conducting wire is 1.5 sq. mm. Cables should be untangled before reeling up.

Please refer to the following table.

Cable cross-sectional area (mm ²)	Cable rated current (Ampere)
0.75	6
1.00	10
1.50	15
2.50	20
4.00	25
Cable length (m)	
	7.5 15 25 30 45 60

Voltage	Amperes	Cable rated current (Ampere)
115	0 - 2.0	6 6 6 6 6 10
	2.1 - 3.4	6 6 6 6 15 15
	3.5 - 5.0	6 6 10 15 20 20
	5.1 - 7.0	10 10 15 20 20 25
	7.1 - 12.0	15 15 20 25 25 -
230	12.1 - 20.0	20 20 25 - - -
	0 - 2.0	6 6 6 6 6 6
	2.1 - 3.4	6 6 6 6 6 6
	3.5 - 5.0	6 6 6 6 10 15
	5.1 - 7.0	10 10 10 10 15 15
7.1 - 12.0	15 15 15 15 20 20	
12.1 - 20.0	20 20 20 20 25 -	

Features (Fig. E)

This tool includes some or all of the following features.

1. Variable speed switch
2. Lock-on button
3. Mode selector
4. Tool clamp
5. Side handle
6. Depth stop
7. Forward/Reverse lever

Assembly

Warning! Before assembly, make sure that the tool is switched off and unplugged.

Attaching the Side Handle (fig. E)

Warning! When drilling holes in concrete or bricks, please use the side handle for your safety.

- Turn the grip counterclockwise until you can slide the side handle onto the front of the tool.
- Rotate the side handle into the desired position.
- Tighten the side handle by turning the grip clockwise.

Warning! When using the tool, remember to install the side handles properly.

Fitting an accessory (fig.A)

- Clean and grease the shank (15) of the accessory.
- Insert the accessory bar into the tool clamp(4).
- Push the accessory down and turn it slightly until it fits into the slots.
- Pull on the accessory to check if it is properly locked. The hammering and drilling function requires the accessory to be able to move axially several centimetres when locked in the tool clamp.
- To remove the accessory, pull back the sleeve (8) and pull out the accessory from the tool clamp.

Use

Warning! Please operate tool with normal load. Do not overload.

Warning! Before drilling into walls, floors or ceilings, check for the location of wiring and pipes.

Selecting the Operating Mode (fig. B)

The tool can be used in two operating modes. Based on actual work requirements, the drilling mode selector (3) can be rotated to the required position.

Hole drilling / Screw driver (Fig. B,F,G,H)

- For drilling in steel, wood and plastics or tighten and loose screw, set the operating mode selector (3) to the (2) position. At the same time, it is necessary to use a suitable drill chuck (13) (optional accessory) to clamp the attachment rod.
- Insert the drill chuck (13) into the tool chuck (4) according to the instructions for installing attachments. Turn the drill chuck to loosen the clamps at the front-end of the drillclamp, and insert the accessory bar (14) into the clamps and turn the chuck in the opposite direction. You may also use the drill chuck key to tighten the clamp.
- For drilling in steel, wood and plastics, set the forward/reverse lever(7) to the forward position(Fig G). When use for screw driver function, tighten screws set the forward/reverse lever (7) to the forward position(Fig G) and loose screws set the forward/reverse lever (7) to the reverse position(Fig H).

Hammer drilling (Fig. B)

- For hammer drilling in masonry and concrete, set the operating mode selector (3) to the **T** position.
- The drill bit has to be placed accurately onto the drill hole position. After that, pull the switch for optimal effects. Make sure the tool is in the correct position to prevent the drill from deviating from the hole.
- When the drill hole is clogged with debris or fine powder, please don't exert any more pressure. Tool should be put in free-running state before removing part of the drill bit from the hole. If repeated a few times, the blockage in the hole would be cleared, and normal drilling can resume.



Warning! When the drill bit hits cement or the steel rebar in the cement, the tool may recoil dangerously. Please hold the tool tightly in a balanced and stable position at all times to prevent it from recoiling dangerously.

Overload coupling device

If the drill bit has caught or hooked, the driving force transmitted to the drill shaft will be cut off. This would generate a strong recoil, so it would be necessary to hold the tool tightly with both hands to remain in a stable position.

Setting the drilling depth (Fig. E)

The depth stop is a convenient feature to ensure uniformity in drilling depth. Loosen the side handle to adjust the depth gauge according to the required depth. After that, tighten the side handle.

- Slacken the side handle (5) by turning the grip counterclockwise.
- Set the depth stop (6) to the required position. The maximum drilling depth is equal to the distance between the tip of the drill bit and the front end of the depth stop.
- Tighten the side handle by turning the grip clockwise.

Switching on and off

Warning! Before plugging in to the power source, make sure the switch can be flipped freely, and can return to its original position once released.

- To switch the tool on, press the variable speed switch (1). The tool speed depends on how far you press the switch.
- As a general rule, use low speeds for large diameter drill bits and high speeds for smaller diameter drill bits.
- For continuous operation, press the lock-on button (2) and ease the variable speed switch.
- To switch the tool off, release the variable speed switch. To switch the tool off when in continuous operation, press the variable speed switch once more and release it.

Accessories

The performance of your tool depends on the accessory used.

STANLEY accessories are engineered to high quality standards and designed to enhance the performance of your tool. By using these accessories you will get the very best from your tool.

Maintenance

Your STANLEY corded/cordless appliance/tool has been designed to operate over a long period of time with a minimum of maintenance. To ensure satisfactory operations, the tool must be maintained and cleaned regularly.

Warning! Before performing any maintenance on corded/cordless power tools:

- Switch off and unplug the appliance/tool.
- Or switch off and remove the battery from the appliance/tool if the appliance/tool has a separate battery pack.
- Or run the battery down completely if it is integral and then switch off.
- Unplug the charger before cleaning it. Your charger does not require any maintenance apart from regular cleaning.
- Regularly clean the ventilation slots in your appliance/tool/charger using a soft brush or dry cloth.
- Regularly clean the motor housing using a damp cloth. Do not use any abrasive or solvent-based cleaner.
- Regularly open the chuck and tap it to remove any dust from the interior (when fitted).

Replace the carbon brush (Fig. D)

- Regularly replace and inspect the carbon brush. Once completely worn out by continuous wear and tear, it will have to be replaced. Must keep carbon brush clean and sliding freely within the brush holder. Both carbon brushes have to be replaced at the same time.
- Remove the fixed screws (9) on the carbon brush to remove the carbon brush (10) and brush holder.
- Remove the coil spring supporting the carbon brush (11) in the brush holder, and insert a new carbon brush that meets the specifications.
- Set up the brush holder again and return the supporting coil spring to its original position.



Cleaning

Warning! Blow dirt and dust out of the main housing with dry air as often as dirt is seen collecting in and around the air vents. Wear approved eye protection and approved dust mask when performing this procedure.



Warning! Never use solvents or other harsh chemicals for cleaning the non-metallic parts of the tool. These chemicals may weaken the material of the parts. Use only mild soap and damp cloth to clean the tool. Never let any liquid get inside the tool; never immerse any part of the tool into liquid.

Level of sound pressure according to EN 60745:Sound pressure (L_{pA}) 88.0 dB(A), uncertainty (K) 3 dB(A)Sound power (L_{WA}) 99.0 dB(A), uncertainty (K) 3 dB(A)**Vibration total values (triax vector sum) according to EN 60745:**Hammer Drilling ($a_{h, ID}$) 13.7 m/s², uncertainty (K) 1.5 m/s²**PROTECTING THE ENVIRONMENT**

Separate collection. This product must not be disposed of with normal household waste.

Should you find one day that your STANLEY product needs replacement, or if it is of no further use to you, do not dispose of it with household waste. Make this product available for separate collection.



STANLEY provides a facility for the collection and recycling of STANLEY products once they have reached the end of their working life. To take advantage of this service please return your product to any authorised repair agent who will collect them on our behalf.

You can check the location of your nearest authorised repair agent by contacting your local STANLEY office at the address indicated in this manual. Alternatively, a list of authorised STANLEY repair agents and full details of our after-sales service and contacts are available on the Internet at: www.2helpU.com.

TECHNICAL DATA

Rotary hammer		STHR202
Power input	W	620
Voltage	V	220-240
Frequency	Hz	50/60
No-load speed	/min	0-1250
Impact rate	BPM	0-3900
Impact energy	J	1.34
Modes		2
Max drilling capacity		
Concrete	mm	20
Steel	mm	13
Wood	mm	25
Weight	kg	2.6

The vibration emission level given in this information sheet has been measured in accordance with a standardised test given in EN 60745 and may be used to compare one tool with another. It may be used for a preliminary assessment of exposure.



Warning: The declared vibration emission level represents the main applications of the tool. However if the tool is used for different applications, with different accessories or poorly maintained, the vibration emission may differ. This may significantly increase the exposure level over the total working period. An estimation of the level of exposure to vibration should also take into account the times when the tool is switched off or when it is running but not actually doing the job. This may significantly reduce the exposure level over the total working period. Identify additional safety measures to protect the operator from the effects of vibration such as: maintain the tool and the accessories, keep the hands arm, organisation of work patterns.

EC declaration of conformity
MACHINERY DIRECTIVE



STHR202K - Rotary hammer

STANLEY declares that these products described under "technical data" are in compliance with: 2006/42/EC, EN 60745-1:2009 + A11:2010, EN 60745-2-4:2009+A11:2011

These products also comply with Directive 2014/30/EU and 2011/65/EU. For more information, please contact STANLEY at the following address or refer to the back of the manual.

The undersigned is responsible for compilation of the technical file and makes this declaration on behalf of STANLEY.

A handwritten signature in black ink, appearing to read 'R. Laverick', written in a cursive style.

R.Laverick
Engineering Manager
STANLEY , Europe, Egide Walschaertsstraat14-18,
2800 Mechelen, Belgium
03.2017

TWO YEAR WARRANTY

If your STANLEY product becomes defective due to faulty materials or workmanship within 24 months from the date of purchase, STANLEY guarantees to replace all defective parts free of charge or – at our discretion – replace the unit free of charge provided that:

- The product has not been misused and has been used in accordance with the instruction manual;
- The product has been subject to fair wear and tear;
- Repairs have not been attempted by unauthorized persons;
- Proof of purchase is produced.
- The STANLEY product is returned complete with all original components
- The product hasn't been used for hire purposes

If you wish to make a claim, contact your seller or check the location of your nearest authorised STANLEY repair agent in the STANLEY catalogue or contact your local STANLEY office at the address indicated in this manual. A list of authorised STANLEY repair agents and full details of our after sales service is available on the internet at: www.2helpU.com

Kullanım amacı

STANLEY STHR202 SDS Plus pnömatik matkabınız beton, tuğla, ahşap ve çelik delme işleri için tasarlanmıştır. Bu alet profesyonel kullanım içindir.

Güvenlik talimatları**Elektrikli el aletleri için genel güvenlik talimatları**

Uyarı! Bütün güvenlik uyarılarını ve talimatlarını mutlaka okuyun. Bu uyarılar ve talimatların herhangi birisine uyulmaması elektrik çarpması, yangın ve/veya ciddi yaralanma riskine neden olabilir.

Bütün uyarı ve güvenlik talimatlarını ileride bakmak üzere saklayın. Uyarılarda yer alan «elektrikli alet» terimi şebeke elektrifiğiyle (kablolu) veya akü/pille (şarjlı) çalışan elektrikli aletinizi ifade etmektedir.

1. Çalışma alanının güvenliği

- Çalışma alanını temiz ve aydınlık tutun.** Karışık veya karanlık alanlar kazaya davetiye çıkarır.
- Elektrikli aletleri, yanıcı sıvılar, gazlar ve tozların bulunduğu yerler gibi yanıcı ortamlarda çalıştırmayın.** Elektrikli aletler, toz veya dumanları ateşleyebilecek kıvılcımlar çıkarır.
- Bir elektrikli aleti çalıştırırken çocuklardan ve etraftaki kişilerden uzak tutun.** Dikkatinizi dağıtıcı şeyler kontrolü kaybetmenize neden olabilir.

2. Elektrik güvenliği

- Elektrikli aletlerin fişleri prizlere uygun olmalıdır. Fiş üzerinde kesinlikle hiçbir değişiklik yapmayın. Topraklı elektrikli aletlerde hiçbir adaptör fişi kullanmayın.** Değiştirilmemiş fişler ve uygun prizler elektrik çarpması riskini azaltacaktır.
- Borular, radyatörler, ocaklar ve buzdolapları gibi topraklanmamış yüzeylerle vücut temasından kaçının.** Vücudunuzun topraklanması halinde yüksek bir elektrik çarpması riski vardır.
- Elektrikli aletleri yağmura maruz bırakmayın veya ıslatmayın.** Elektrikli alete su girmesi elektrik çarpması riskini arttıracaktır.
- Elektrik kablosunu uygun olmayan amaçlarla kullanmayın. Elektrikli aleti kesinlikle kablosundan tutarak taşımayın, çekmeyin veya prizden çıkartmayın.** Kabloyu sıcaktan, yağdan, keskin kenarlardan veya hareketli parçalardan uzak tutun. Hasarlı veya dolaşmış kablolar elektrik çarpması riskini artırır.
- Elektrikli bir aleti açık havada çalıştırıyorsanız, açık havada kullanıma uygun bir uzatma kablosu kullanın.** Açık havada kullanıma uygun bir kablounun kullanılması elektrik çarpması riskini azaltır.
- Eğer bir elektrikli aletin nemli bir bölgede çalıştırılması zorunluysa, bir artık akım aygıtı (RCD) korumalı bir kaynak kullanın.** Bir RCD kullanılması elektrik şoku riskini azaltır. **Not:** «Artık Akım Aygıtı (RCD)» tanımı, «Kaçak Akım Koruma Cihazı (GFCl)» veya «Toprak

Kaçacağı Devre Kesici (ELCB)» tanımları ile değiştirilebilir.

3. Kişisel güvenlik

- Elektrikli bir aleti kullanırken her zaman dikkatli olun, yaptığınız işe yoğunlaşın ve sağduyulu davranın. Elektrikli bir aleti yorgunken veya ilaç ya da alkolün etkisi altındayken kullanmayın.** Elektrikli aletleri kullanırken bir anlık dikkatsizlik ciddi kişisel yaralanmayla sonuçlanabilir.
- Kişisel koruyucu ekipmanları mutlaka kullanın. Daima koruyucu gözlük takın.** Koşullara uygun toz maskesi, kaymayan güvenlik ayakkabıları, baret veya kulaklık gibi koruyucu donanımların kullanılması kişisel yaralanmaları azaltacaktır.
- İstem dışı çalıştırılmasını önleyin. Aleti güç kaynağına ve/veya aküye bağlamadan, yerden kaldırmadan veya taşımadan önce açma/kapama düğmesinin kapalı konumda olduğundan emin olun.** Aleti, parmağınız tetik üzerinde bulunacak şekilde taşımak veya açık konumdaki elektrikli aletleri elektrik şebekesine bağlamak kazaya davetiye çıkarır.
- Elektrikli aleti açmadan önce tüm ayarlama anahtarlarını çıkartın.** Elektrikli aletin hareketli bir parçasına takılı kalmış bir anahtar kişisel yaralanmaya neden olabilir.
- Ulaşmakta zorlandığınız yerlerde kullanmayın. Daima sağlam ve dengeli basın.** Bu, beklenmedik durumlarda elektrikli aletin daha iyi kontrol edilmesine olanak tanır.
- Uygun şekilde giyinin. Bol elbiseler giymeyin ve takı takmayın. Saçınızı, elbiselerinizi ve eldivenlerinizi hareketli parçalardan uzak tutun.** Bol elbiseler ve takılar veya uzun saç hareketli parçalara takılabilir.
- Eğer kullandığınız üründe toz emme ve toplama özellikleri olan ataşmanlar varsa bunların bağlı olduğundan ve doğru şekilde kullanıldığınından emin olun.** Bu toz toplama ataşmanların kullanılması tozla ilgili tehlikeleri azaltabilir.
- Elektrikli aletlerin kullanımı ve bakımı**
 - Elektrikli aleti zorlamayın. Uygulamanız için doğru elektrikli aleti kullanın.** Doğru elektrikli alet, belirlendiği kapasite ayarında kullanıldığında daha iyi ve güvenli çalışacaktır.
 - Tetik açmıyor ve kapatmıyorsa elektrikli aleti kullanmayın.** Tetikle kontrol edilemeyen tüm elektrikli aletler tehlikelidir ve tamir edilmesi gerekmektedir.
 - Herhangi bir ayarlama, aksesuar değişimi veya elektrikli aletlerin saklanması öncesinde fişi güç kaynağından çekin ve/veya aküyü elektrikli aletten ayırın.** Bu tür önleyici güvenlik tedbirleri aletin istem dışı olarak çalıştırılması riskini azaltacaktır.
 - Elektrikli aleti, çocukların ulaşamayacağı yerlerde saklayın ve elektrikli aleti tanımayan veya bu talimatları bilmeyen kişilerin elektrikli aleti kullanımına izin vermeyin.** Elektrikli aletler, eğitimsiz kullanıcıların elinde tehlikelidir.

- e. **Elektrikli aletleri iyi durumda muhafaza edin. Hareketli parçalardaki hizalama hatalarını ve tutuklukları, parçalardaki kırılmalar ve elektrikli aletin çalışmasını etkileyebilecek tüm diğer koşulları kontrol edin. Hasarlı ise, elektrikli aleti kullanmadan önce tamir ettirin.** Kazaların çoğu, elektrikli aletlerin bakımının yeterli şekilde yapılmamasından kaynaklanır.
- f. **Kesim aletlerini keskin ve temiz tutun.** Bakımı uygun şekilde yapılmış keskin kesim uçlu kesim aletlerinin sıkışma ihtimali daha düşüktür ve kontrol edilmesi daha kolaydır.
- g. **Elektrikli aleti, aksesuarlarını ve aletin diğer parçalarını kullanırken bu talimatlara mutlaka uyun ve çalışma ortamının koşullarını ve yapılacak işin ne olduğunu göz önünde bulundurun.** Elektrikli aletin öngörülen işlemler dışındaki işlemler için kullanılması tehlikeli durumlara neden olabilir.

5. Servis

- a. **Elektrikli aletinizi, sadece orijinal yedek parçaların kullanıldığı yetkili servise tamir ettirin.** Bu, elektrikli aletin güvenliğinin muhafaza edilmesini sağlayacaktır.
- * **Not:** Şebeke gerilimi: Şebekeye bağlarken, şebeke geriliminin elektrikli alet gerilimine uyumlu olduğunu doğrulamak zorunludur. Şebeke gerilimi elektrikli aletin üzerinde belirtilen gerilimi aşarsa, kullanıcı ciddi bir kazadan yaralanabilir ve alet zarar görebilir. Bilakis, şebeke gerilimi alet için gerekli olan voltajdan daha düşük ise motor hasar görebilir. Şebeke gerilimini doğrulamak mümkün değilse alet güç kaynağına bağlanmamalıdır.

Pnömatik matkaplar için güvenlik uyarıları

- **Kulaklık takın.** Yüksek sese maruz kalmak işitme kaybına yol açabilir.
- **Aletle birlikte verilmiş olan yardımcı tutma kollarını kullanın.** Kontrol kaybı kişisel yaralanmalara neden olabilir.
- **Kesme aksesuarının gizli kabloları veya kendi kablosuna temas edebileceği yerlerde çalışma yaparken elektrikli aleti yalıtımlı kavrama yüzeylerinden tutun.** Kesme aksesuarının «akım taşıyan» bir kabloya temas etmesi durumunda elektrikli aletin metal kısımları da «akım taşıyıcı» hale gelecek ve kullanıcının elektrik çarpmasına neden olabilir.
- Hiçbir zaman dönme konumunda kırıcı uç kullanmayın. Aksesuar malzeme içinde sıkışacak ve matkabı döndürecek.
- Üzerinde çalıştığınız parçayı sabitlemek ve desteklemek için kelepçeler veya başka pratik yöntemler kullanın. Parçayı elle veya vücudunuza dayamanız dengesiz durmasına neden olacaktır ve aletin kontrolünü kaybetmenize yol açabilir.
- Duvar, zemin veya tavanda delik açmadan önce kablo ve

boruların konumunu kontrol edin.

- İsinmadan dolayı cildinizin zarar görmesini önlemek amacıyla delme işleminin hemen ardından matkap ucuna dokunmaktan kaçının.
- Kullanım amacı bu kullanım kılavuzunda açıklanmıştır. Herhangi bir aksesuarın veya bağlantının ya da işlemin, bu kılavuzda tavsiye edilen şekilden başka bir şekilde kullanılması şahısların yaralanmalarına ve/veya mal kaybına yol açabilir.

Diğer kişilerin güvenliği

- Bu alet fiziksel ve zihinsel kapasitesinin yanı sıra algılama gücü azalmış olan veya yeterince deneyim ve bilgisi bulunmayan kişiler (çocuklar dahil) tarafından kullanılmak üzere üretilmemiştir. Bu tür kişiler aleti ancak güvenliklerinden sorumlu bir kişi tarafından aletin kullanımıyla ilgili talimatların verilmesi veya sürekli kontrol altında tutulması durumunda kullanılabilir.
- Çocuklar, aletle oynamalarını önlemek amacıyla kontrol altında tutulmalıdır.

Diğer riskler

Aletin kullanımıyla ilgili ekte sunulan güvenlik uyarılarına dahil olmayan ilave kalıcı riskler ortaya çıkabilir. Bu riskler, hatalı, uzun süreli kullanım vb. dolayısıyla ortaya çıkabilir. Emniyet tedbirlerini düzenleyen yönetmeliğin uygulanmasına ve emniyet sağlayıcı aygıtların kullanılmasına rağmen, başka belirli risklerden kaçınılamaz. Bunlar:

- Aletin dönen ve hareket eden parçalarına dokunma sonucu ortaya çıkan yaralanmalar.
- Herhangi bir parçayı, uç veya aksesuarı değiştirirken ortaya çıkan yaralanmalar.
- Aletin uzun süreli kullanılması sonucu ortaya çıkan yaralanmalar. Herhangi bir aleti uzun sürelerle kullanacaksanız düzenli olarak çalışmanıza ara verin.
- Duyma bozukluğu.
- Aleti kullanırken ortaya çıkan tozun solunması sonucu ortaya çıkan sağlık sorunları (örnek: ahşapta çalışırken, özellikle meşe, akgürgen ve MDF).

Alet üzerindeki etiketler

Alet etiketinde aşağıdaki semboller tarih kodu ile birlikte bulunabilir:

	Kullanım Kılavuzunun Okuyun	Hz Hertz	 Sınıf II İnşaat
	Koruyucu Gözlük kullanın	W Vat	 Topraklama Terminal
	Kulaklık Kullanın	dak dakika	 Güvenlik uyarısı Sembölü
		 Alternatif Akım Dakikada devir veya gel git sayısı
		 Direkt Akım /min..
V Volt		boş..... Yüksüz Hız	
A Amper				

Tarih kodu konumu

İmalat yılını da içeren Tarih Kodu gövdeye basılıdır.
Örnek:

2017 XX JN
İmalat Yılı

Elektrik güvenliği

Bu alet çift yalıtımlıdır. Bu yüzden hiçbir topraklama kablosuna gerek yoktur. Her zaman şebeke geriliminin aletin üretim etiketinde belirlenmiş değerlere uyup uymadığını kontrol edin.

- Elektrik kablosu hasarlı ise, bir tehlike oluşmasını önlemek için üretici ya da yetkili STANLEY Servis Merkezi tarafından değiştirilmelidir.

Uzatma kablolarının kullanımı

Bir uzatma kablosu gerekli ise, bu aletin elektrik girişine uygun (teknik özelliklere bakın), onaylı bir uzatma kablo kullanın. Minimum iletken boyutu 1,5 mm²'dir. Bir kablo makarası kullanırken, kabloyu daima sonuna kadar açın.

Ayrıca aşağıdaki tabloya da bakın.

İletken boyutu (mm ²)	Kablo gücü (Amper)
0.75	6
1.00	10
1.50	15
2.50	20
4.00	25
Kablo uzunluğu (m)	
	7.5 15 25 30 45 60

Voltaj	Amperes	Kablo gücü (Amper)
115	0 - 2.0	6 6 6 6 6 10
	2.1 - 3.4	6 6 6 6 15 15
	3.5 - 5.0	6 6 10 15 20 20
	5.1 - 7.0	10 10 15 20 20 25
	7.1 - 12.0	15 15 20 25 25 -
	12.1 - 20.0	20 20 25 - - -
230	0 - 2.0	6 6 6 6 6 6
	2.1 - 3.4	6 6 6 6 6 6
	3.5 - 5.0	6 6 6 6 10 15
	5.1 - 7.0	10 10 10 10 15 15
	7.1 - 12.0	15 15 15 15 20 20
	12.1 - 20.0	20 20 20 20 25 -

Özellikler (Şekil E)

Bu alet, aşağıdaki özelliklerin bir kısmını veya tümünü içermektedir.

- Değişken hız ayarlı açma/kapama tetiği
- Kesintisiz çalıştırma düğmesi
- Çalışma modu seçicisi
- Uç tutucu
- Yan kol
- Derinlik çubuğu
- İleri/geri sürgüsü

Montaj

Uyarı! Montajdan önce aletin kapalı ve fişinin çekilmiş olduğundan emin olun.

Yan kolun takılması (Şekil E)

Uyarı! Güvenli çalışmasını sağlamak için beton ve tuğla yüzeylerde delme sırasında lütfen yan kolu tutun.

- Tutamağı, yan kol aletin ön kısmının üzerine kaydırabilir duruma gelene kadar saatin ters yönünde çevirin.
- Yan kolu istediğiniz konuma çevirin.
- Tutamağı saat yönünde çevirerek yan kolu sıkın.

Uyarı! Aleti kullanırken yan kolu düzgün bir şekilde takmayı unutmayın.

Aksesuar takılması (Şekil A)

- Aksesuarın sap kısmını (15) temizleyip yağlayın.
- Aksesuarın sapını uç tutucuya (4) sokun.
- Aksesuarı aşağı bastırın ve yuvaların içine oturana kadar hafifçe çevirin.
- Uygun şekilde kilitlenip kilitlenmediğini kontrol etmek için aksesuarı çekin. Darbeli ve darbesiz delme fonksiyonu, aksesuarın uç tutucuya kilitlendikten sonra yukarı aşağı birkaç santimetre hareket edebilmesini gerektirir.
- Aksesuarı çıkartmak için, kovani (8) geri çekin ve aksesuarı çekip uç tutucudan çıkartın.

Kullanım

Uyarı! Aletin kendi hızında çalışmasına izin verin. Aşırı yüklenmeyin.

Uyarı! Duvar, zemin veya tavanda delik açmadan önce kablo ve boruların konumunu kontrol edin.

Çalışma modunun seçilmesi (Şekil B)

Alet iki çalışma modunda kullanılabilir. Çalışma şartlarına dayanarak çalışma modu seçicisini (3) gerekli konuma çevirin.

Delme / Vidalama (Şekil B, F, G, H)

- Çelik, ahşap ve plastiği delmek için çalışma modu seçicisini (3) (aa) konumuna getirin. Aynı zamanda, aksesuar sapını sabitlemek için uygun bir mandreni (13) (2) kullanmak gereklidir.

TÜRKÇE (Çevirisi orijinal talimatlardan yapılmıştır)

- Aksesuarların takılması talimatlarına göre mandreni (13) uç tutucuya (4) sokun. Mandrenin ön tarafında bulunan kışakları gevşetmek için mandreni döndürün, aksesuar sapını (14) uç tutucuya sokun ve mandreni ters tarafa döndürün. Kışakları iyice sıkamak için ayrıca mandren anahtarını kullanabilirsiniz.
- Çelik, ahşap ve plastiği delmek için ileri/geri seçicisini (7) ileri konumuna getirin (Şekil G). Aleti tornavida olarak kullanırken vidaları sıkamak için ileri/geri seçicisini (7) ileri konumuna getirin (Şekil G), vidaları sökmek için ileri/geri seçicisini (7) geri konumuna getirin (Şekil H).

Darbeli delme (Şekil B)

- Duvar ve betonda darbeli delme için çalışma modu seçicisini (3) **T1** konumuna getirin.
- Matkap ucu delik üzerine doğru bir konuma yerleştirilmelidir. En iyi sonuçları alabilmek için bundan sonra tetiğe basın. Elektrikli aletin doğru bir şekilde yerleştirilmesi delik sapmasını önler.
- Delik atık veya tozlar ile takıldığında, alete daha fazla baskı uygulamayın. Boşta dönmeye izin verin, sonra yavaş yavaş matkap ucunu delikten dışarı çıkarın. Bu adımları birkaç kez tekrarlayın, tıklmış delik temizlenebilir ve daha sonra normal delmeyi devam edersiniz.



Uyarı! Matkap ucu güçlendirilmiş betonu kırarken veya beton içindeki çelik mile çarparken elektrikli alet tehlikeli karşı geri tepme gücüne sahip olabilir. Geri tepme tehlikesini önlemek için her zaman dengeli basın, sabit durun ve aleti sıkı tutun.

Aşırı yük koruması

Matkap ucu sıkışmış veya takılmış olduğu durumlarda matkap miline geçen itici güç kesilecektir. Kuvvetli geri tepme ortaya çıkar. Bu yüzden çalışan elektrikli aletin iki elle sıkı tutulduğundan ve kullanıcının sabit ve dengeli bir pozisyonunda olduğundan emin olun.

Delinecek delik derinliğinin ayarlanması (Şekil E)

Delik derinliğinin uygun olduğundan emin olmak için derinlik çubuğunu kullanın. Yan kolu gevşetin ve derinlik çubuğunu istediğiniz derinliğe göre ayarlayın. Bunları yaptıktan sonra yan kolu sıkın.

- Tutamağı saatin tersi yönde çevirerek yan kolu (5) gevşetin.
- Derinlik çubuğunu (6) istediğiniz konuma ayarlayın. Maksimum delme derinliği, matkap ucunun uç kısmı ile derinlik çubuğunun ön ucu arasındaki mesafeye eşittir.
- Tutamağı saat yönünde çevirerek yan kolu sıkın.

Açılması ve kapatılması

Uyarı! Fişi takmadan önce tetiğin serbestçe çalışıp çalışmadığını ve bıraktıktan sonra orijinal konuma dönebileceğini kontrol edin.

- Aleti açmak için, değişken hız ayarlı tetiğine (1) basın. Aletin hızı, tetiğe ne kadar bastığınıza bağlıdır.
- Genel kural olarak, büyük çaplı uçlar için düşük hız, küçük çaplı uçlar içinse yüksek hız seçin.
- Sürekli çalışması için kesintisiz çalıştırma düğmesine (2) basın ve değişken hız ayarlı tetiğini bırakın.
- Aleti kapatmak için, değişken hız ayarlı tetiğini bırakın. Kesintisiz çalışma konumundayken aleti kapatmak için değişken hız ayarlı tetiğine bir kez daha basın ve bırakın.

Aksesuarlar

Aletinizin performansı kullanılan aksesuara bağlıdır. STANLEY aksesuarları, yüksek kalite standartlarına göre üretilmiş ve aletinizin performansını arttıracak şekilde tasarlanmıştır. Bu aksesuarları kullanarak, aletinizden en iyi verimi alacaksınız.

Bakım

STANLEY elektrikli/şarjlı aletiniz minimum bakımla uzun bir süre çalışacak şekilde tasarlanmıştır. Kesintisiz olarak memnuniyet verici bir şekilde çalışması gerekli özenin gösterilmesine ve düzenli temizliğe bağlıdır.

Uyarı! Elektrikli/şarjlı alet üzerinde herhangi bir bakım işlemi gerçekleştirmeden önce:

- Aleti kapatın ve fişten çekin.
- Ya da aletin çıkartılabilir aküsü varsa; aleti kapatın ve aküyü aletten çıkartın.
- Veya aletin dahili aküsü varsa, bitene kadar çalıştırın ve sonra kapatın.
- Şarj cihazını temizlemeden önce fişten çekin. Şarj cihazınız, düzenli temizlik dışında herhangi bir bakım gerektirmemektedir.
- Aletinizdeki ve şarj cihazındaki havalandırma deliklerini yumuşak bir fırça veya kuru bir bezle düzenli olarak temizleyin.
- Motor muhafazasını düzenli olarak nemli bir bezle silin. Aşındırıcı veya çözücü bazlı temizleyiciler kullanmayın.
- Mandreni düzenli olarak tamamen açın ve içindeki tozu dökmek için hafifçe vurun (mandren alete takılıysa).

Kömürlerin değiştirilmesi (Şekil D)

- Düzenli olarak kömürleri çıkartın ve kontrol edin. Kömürler, tamamen aşınmış veya yıpranmış ise değiştirilmelidir. Kömürler temiz olmalıdır ve kömür yuvası içinde serbestçe kaymalıdır. Her iki kömür aynı zamanda değiştirilmelidir.
- Kömürlerin üzerindeki vidaları (9) sökün ve kömürleri ve kömür yuvasını çıkartın.
- Kömürleri (11) kömür yuvasında tutan yayı çıkartın ve spesifikasyonlara uygun olan yeni kömürleri takın.

- Kömür yuvasını yerine takın ve kömürleri tutan yayı orijinal konumuna yerleştirin.



Temizleme



Uyarı! Havalandırma deliklerinde ve etrafında toz toplanması halinde bu tozu ve kiri kuru hava kullanarak ana gövdeden uzaklaştırın. Bu işlemi gerçekleştiren onaylı bir göz koruması ve onaylı toz maskesi takın.



Uyarı! Aletin metalik olmayan parçalarını temizlemek için asla çözücü veya başka sert kimyasal kullanmayın. Bu kimyasallar bu parçalarda kullanılan malzemeleri güçsüzleştirir. Aleti temizlemek için, sadece yumuşak sabun ve nemli bir bez kullanın. Aletin içine sıvı kaçmasına kesinlikle izin vermeyin; aletin herhangi bir parçasını bir sıvı içine daldırmayın.

Çevrenin korunması



Ayrı olarak atın. Bu ürün, normal evsel atıklarla birlikte atılmamalıdır.

STANLEY ürününüzün değiştirilmesi gerektiğini düşünmeniz veya artık kullanılamaz durumda olması halinde onu, evsel atıklarla birlikte atmayın. Bu ürünü, ayrı olarak toplanacak şekilde atın.



STANLEY, hizmet ömrünün sonuna ulaşan STANLEY ürünlerinin toplanması ve geri dönüşüme sokulması için bir imkân sunmaktadır.

Bu hizmetin avantajlarından faydalanmak için, lütfen, ürününüzü bizim adımıza teslim alacak herhangi bir yetkili servise iade edin.

Bu kılavuzda belirtilen listeden size en yakın STANLEY yetkili tamir servisinin yerini öğrenebilirsiniz. Ya da, alternatif olarak internet'ten STANLEY yetkili tamir servislerinin listesini ve satış sonrası hizmetlerimizle ilgili tüm bilgiler ve temas bilgilerine aşağıdaki siteden ulaşabilirsiniz. www.2helpU.com

TEKNİK ÖZELLİKLERİ

Pnömatik Matkap	STHR202	
Giriş gücü	W	620
Voltaj	V	220-240
Frekans	Hz	50/60
Yüksüz hızı	dev/dak	0-1250
Darbe oranı	darbe/dak	0-3900
Tek darbe gücü	J	1,34
Çalışma modları		2
Maks. delme kapasitesi		
Beton	mm	20
Çelik	mm	13
Ahşap	mm	25
Ağırlık	kg	2,6

EN 60745'e göre ses basıncı düzeyi:

Ses basıncı (L_{pA}) 88,0 dB(A), belirsizlik (K) 3 dB(A)
Akustik güç (L_{WA}) 99,0 dB(A), belirsizlik (K) 3 dB(A)

EN 60745'e göre tespit edilen toplam titreşim değerleri (üç yönün vektör toplamı):

darbeli delme ($a_{h, ID}$) 13,7 m/s², belirsizlik (K) 1,5 m/s²

Bu bilgi sayfasında verilen titreşim emisyon düzeyi, EN 60745'te sağlanan standart teste uygun olarak ölçülmüştür ve aletleri birbiriyle karşılaştırmak için kullanılabilir. Ön maruziyet değerlendirmesi için kullanılabilir.



Uyarı: Beyan edilen titreşim emisyon düzeyi, aletin ana uygulamalarını yansıtır. Ancak alet farklı aksesuarlarla farklı uygulamalar için kullanılırsa veya bakımı kötü yapılırsa, titreşim emisyonu değişebilir. Bu, toplam çalışma süresindeki maruziyet düzeyini önemli ölçüde artırabilir. Tahmini titreşim maruziyeti, aletin kapalı kaldığı veya çalışmasına karşın iş görmediği zamanları da dikkate alınmalıdır. Bu, toplam çalışma süresindeki maruziyet düzeyini önemli ölçüde azaltabilir. Kullanıcıyı titreşim etkilerinden korumak için belirtilen ek güvenlik önlemlerini alın: aletin ve aksesuarların bakımını yapın, elleri sıcak tutun, çalışma modellerini düzenleyin.

AT Uygunluk Beyanatı

MAKİNE DİREKTİFİ



STHR202K - Pnömatik Matkap

STANLEY, «teknik özellikleri» bölümünde açıklanan bu ürünlerin aşağıda belirtilen yönergelere uygun olduğunu beyan eder: 2006/42/EC, EN 60745-1:2009 + A11:2010, EN 60745-2-4:2009+A11:2011

Bu ürünler ayrıca 2014/30/EU ve 2011/65/EU Direktiflerine de uygundur. Daha fazla bilgi için, lütfen aşağıdaki adresten STANLEY ile irtibata geçin veya kılavuzun arkasına bakın.

Bu belge altında imzası bulunan yetkili, teknik dosyanın derlenmesinden sorumludur ve bu beyanı STANLEY adına vermiştir.

R.Laverick

Mühendislik Bölümü Müdürü
STANLEY, Europe, Egide Walschaertsstraat14-18,
2800 Mechelen, Belçika
03.2017

İki yıl garanti

Sahip olduğunuz STANLEY ürünü satın alma tarihinden itibaren 24 ay içinde hatalı malzeme veya işçilik nedeniyle bozulursa, STANLEY aşağıdaki şartlara uyulması koşuluyla ücretsiz olarak tüm kusurlu parçaların yenilenmesini veya -kendi inisiyatifine bağlı olarak- satın alınan ürünün değiştirilmesini garanti eder:

- Ürün, hatalı kullanılmamış kullanım kılavuzuna uygun kullanılmıştır.
- Ürün yıpranmamış, hırpalanmamış ve aşınmamıştır;
- Yetkili olmayan kişilerce tamire çalışılmamıştır.
- Satın alma belgesi (fatura) ibraz edilmiştir;
- STANLEY ürünü, tüm orijinal parçaları ile birlikte iade edilmiştir;
- Ürün kiralama amacıyla kullanılmamıştır.

Garanti talebinde bulunmak için, lütfen satıcıyla irtibata geçin veya STANLEY katalogunda belirtilen size en yakın STANLEY yetkili satıcı adresini kontrol edin veya ürünün kılavuzunda belirtilen adresteki yerel STANLEY yetkili tamir servisi ile temas kurun. İnternet'ten STANLEY yetkili tamir servislerinin listesine ve satış sonrası hizmetlerimizle ilgili tüm bilgilerine aşağıdaki siteden ulaşabilirsiniz: www.2helpU.com

Sanayi ve Ticaret Bakanlığı tebliğince kullanım ömrü 7 yıldır.

Türkiye Distribütörü

STANLEY BLACK&DECKER TURKEY ALET ÜRETİM SAN. TIC. LTD.STİ.

Kozyatağı Mh Değirmen Sk. Nida Kule

No:18 Kat:6 34742 Kadıköy İstanbul

Tel : (0216) 665 29 00

Faks : (0216) 665 29 01

E-posta: info-tr@sbdinc.com

Использование по назначению

Ваш перфоратор STANLEY SDS plus STHR202 предназначен для сверления отверстий в бетоне, кирпиче, древесине и стали. Данный инструмент предназначен для профессионального использования.

Правила техники безопасности

Общие предупреждения по технике безопасности электроинструментов



Внимание! Ознакомьтесь со всеми правилами безопасности и инструкциями. Несоблюдение предупреждений и инструкций, указанных ниже, может привести к поражению электрическим током, пожару и/или серьезной травме.

Сохраните все предупреждения и инструкции для будущего использования. Термин "электроинструмент" во всех предупреждениях, указанных ниже, относится к вашему сетевому (с кабелем) электроинструменту или аккумуляторному электроинструменту (без кабеля питания).

1. Безопасность рабочего места

- a. **Содержите рабочее место в чистоте и обеспечьте хорошее освещение.** Плохое освещение или беспорядок на рабочем месте может привести к несчастному случаю.
- b. **Не используйте электроинструменты, если есть опасность возгорания или взрыва, например, вблизи легко воспламеняющихся жидкостей, газов или пыли.** В процессе работы электроинструменты создают искровые разряды, которые могут воспалить пыль или горючие пары.
- c. **Во время работы с электроинструментом не подпускайте близко детей или посторонних лиц.** Отвлечение внимания может вызвать у Вас потерю контроля над рабочим процессом.

2. Электробезопасность

- a. **Вилка кабеля электроинструмента должна соответствовать штепсельной розетке. Ни в коем случае не видоизменяйте вилку электрического кабеля. Не используйте соединительные штепсели-переходники, если в силовом кабеле электроинструмента есть провод заземления.** Использование оригинальной вилки кабеля и соответствующей ей штепсельной розетки уменьшает риск поражения электрическим током.
- b. **Во время работы с электроинструментом избегайте физического контакта с заземлёнными объектами, такими как трубопроводы, радиаторы отопления, электроплиты и холодильники.** Риск поражения электрическим током увеличивается, если Ваше тело заземлено.
- c. **Не используйте электроинструмент под дождём**

или во влажной среде. Попадание воды в электроинструмент увеличивает риск поражения электрическим током.

- d. **Бережно обращайтесь с электрическим кабелем. Ни в коем случае не используйте кабель для переноски электроинструмента или для вытягивания его вилки из штепсельной розетки. Не подвергайте электрический кабель воздействию высоких температур и смазочных веществ; держите его в стороне от острых кромок и движущихся частей электроинструмента.** Повреждённый или запутанный кабель увеличивает риск поражения электрическим током.
 - e. **При работе с электроинструментом на открытом воздухе используйте удлинительный кабель, предназначенный для наружных работ.** Использование кабеля, пригодного для работы на открытом воздухе, снижает риск поражения электрическим током.
 - f. **При необходимости работы с электроинструментом во влажной среде используйте источник питания, оборудованный устройством защитного отключения (УЗО).** Использование УЗО снижает риск поражения электрическим током.
- #### 3. Личная безопасность
- a. **При работе с электроинструментами будьте внимательны, следите за тем, что Вы делаете, и руководствуйтесь здравым смыслом. Не используйте электроинструмент, если Вы устали, а также находясь под действием алкоголя или понижающих реакцию лекарственных препаратов и других средств.** Малейшая неосторожность при работе с электроинструментами может привести к серьёзной травме.
 - b. **При работе используйте средства индивидуальной защиты. Всегда надевайте защитные очки.** Своевременное использование защитного снаряжения, а именно: пылезащитной маски, ботинок на нескользящей подошве, защитного шлема или противошумовых наушников, значительно снизит риск получения травмы.
 - c. **Не допускайте непреднамеренного запуска. Перед тем, как подключить электроинструмент к сети и/или аккумулятору, поднять или перенести его, убедитесь, что выключатель находится в положении «выключено».** Не переносите электроинструмент с нажатым курковым выключателем и не подключайте к сетевой розетке электроинструмент, выключатель которого установлен в положение «включено», это может привести к несчастному случаю.

- d. **Перед включением электроинструмента снимите с него все регулировочные или гаечные ключи.** Регулировочный или гаечный ключ, оставленный закреплённым на вращающейся части электроинструмента, может стать причиной получения тяжёлой травмы.
 - e. **Работайте в устойчивой позе. Всегда твёрдо стойте на ногах, сохраняя равновесие.** Это позволит Вам не потерять контроль при работе электроинструментом в непредвиденной ситуации.
 - f. **Одевайтесь соответствующим образом. Во время работы не надевайте свободную одежду или украшения. Следите за тем, чтобы Ваши волосы, одежда или перчатки находились в постоянном отдалении от движущихся частей инструмента.** Свободная одежда, украшения или длинные волосы могут попасть в движущиеся части инструмента.
 - g. **Если электроинструмент снабжён устройством сбора и удаления пыли, убедитесь, что данное устройство подключено и используется надлежащим образом.** Использование устройства пылеудаления значительно снижает риск возникновения несчастного случая, связанного с запылённостью рабочего пространства.
- 4. Использование электроинструментов и технический уход**
- a. **Не перегружайте электроинструмент. Используйте Ваш инструмент по назначению.** Электроинструмент работает надёжно и безопасно только при соблюдении параметров, указанных в его технических характеристиках.
 - b. **Не используйте электроинструмент, если его выключатель не устанавливается в положение включения или выключения.** Электроинструмент с неисправным выключателем представляет опасность и подлежит ремонту.
 - c. **Отключайте электроинструмент от сетевой розетки и/или извлекайте аккумулятор перед регулировкой, заменой принадлежностей или при хранении электроинструмента.** Такие меры предосторожности снижают риск случайного включения электроинструмента.
 - d. **Храните неиспользуемые электроинструменты в недоступном для детей месте и не позволяйте лицам, не знакомым с электроинструментом или данными инструкциями, работать с электроинструментом.** Электроинструменты представляют опасность в руках неопытных пользователей.
 - e. **Регулярно проверяйте исправность электроинструмента. Проверяйте точность совмещения и легкость перемещения подвижных частей, целостность деталей и любых других элементов электроинструмента, воздействующих**

на его работу. Не используйте неисправный электроинструмент, пока он не будет полностью отремонтирован. Большинство несчастных случаев являются следствием недостаточного технического ухода за электроинструментом.

- f. **Следите за остротой заточки и чистотой режущих принадлежностей.** Принадлежности с острыми кромками позволяют избежать заклинивания и делают работу менее утомительной.
 - g. **Используйте электроинструмент, аксессуары и насадки в соответствии с данным Руководством по эксплуатации и с учётом рабочих условий и характера будущей работы.** Использование электроинструмента не по назначению может создать опасную ситуацию.
- 5. Обслуживание**
- a. **Обеспечьте, чтобы обслуживание и ремонт вашего электроинструмента проводился в авторизованном сервисном центре по ремонту с использованием только оригинальных запасных частей.** Это станет гарантией безопасности электроинструмента.

*** Примечание:** Напряжение сети: при подключении к сети, необходимо проверить, если напряжение сети совпадает с электроинструментом. Если напряжение в сети превышает напряжение, указанное на инструменте, пользователь может получить травмы и увечья в результате несчастного случая, а инструмент может быть поврежден. Если же напряжение сети ниже, чем напряжение, требуемое для инструмента, двигатель может быть поврежден. Таким образом, если невозможно, проверить напряжение, крайне важно не подключать инструмент к источнику питания.

Предупреждения по безопасности для молота

- **Надевайте защитные наушники.** Воздействие шума может привести к потере слуха.
- **Используйте дополнительные рукоятки, если они входят в комплект поставки инструмента.** Потеря контроля может привести к травме.
- **Держите инструмент за изолированные поверхности во время работы, при которой режущий инструмент может задеть скрытую проводку или собственный кабель.** При контакте режущего аксессуара с «работающим» проводом или открытыми металлическими частями электроинструмента оператора может ударить электрическим током.
- **Никогда не используйте долото в ротационном режиме.** Аксессуар войдет в материал и приведет к вращению дрели.

- Используйте тиски или другое подходящее приспособление для обеспечения и поддержания обрабатываемого изделия на устойчивой платформе. Проведение работы по направлению руки или против вашего тела, лишает устойчивости и может привести к потере контроля.
- Перед сверлением стен, полов и потолков, проверьте местоположение электропроводки и труб.
- Не прикасайтесь к кончику сверла сразу после окончания сверления во избежание ожогов.
- Назначение инструмента описывается в данном руководстве. Использование любых аксессуаров или приспособлений или выполнение любых операций с помощью этого инструмента, не рекомендованных в данном руководстве, может представлять опасность получения травм и/или повреждения имущества.



Читайте инструкции по эксплуатации

Гц Герц



..... Конструкция класса II



Используйте средства защиты глаз

Вт Ватт



..... Терминал заземления



Используйте средства защиты органов слуха

мин..... минуты



..... Символ предупреждения об опасности

~ Переменный ток



..... обороты или возвратное поступательное движение в минуту

— Постоянный ток

V Вольт

n₀ Скорость без нагрузки

A Ампер

Положение даты штрих-кода

Дата кода, который также включает год изготовления, печатается на корпусе.

Пример:

2017 XX JN

Год изготовления

Безопасность посторонних лиц

- Этот инструмент не предназначен для использования лицами (включая детей) с ограниченными физическими, чувствительными или умственными способностями или с недостатком опыта или знаний, если они не были под контролем и руководством лица, контролирующего использование инструмента или ответственным за их безопасность.
- Дети должны быть под присмотром взрослых, чтобы не допустить никаких игр с инструментом.

Другие риски

Дополнительные остаточные риски могут возникнуть при использовании инструмента, который не может быть включен в описанные здесь правила техники безопасности. Эти риски могут возникнуть при неправильном или продолжительном использовании изделия и т.п. Несмотря на соблюдение соответствующих правил техники безопасности и использование предохранительных устройств, некоторых остаточных рисков невозможно избежать. Они включают в себя:

- Травмы в результате касания вращающихся/движущихся частей.
- Риск получения травмы во время смены деталей инструмента, ножей или насадок.
- Травмы, вызванные продолжительным использованием инструмента. При использовании инструмента в течение продолжительного периода времени делайте регулярные перерывы в работе.
- Плохой слух
- Ущерб здоровью в результате вдыхания пыли при использовании инструмента (пример: работа с деревом, в особенности, с древесиной дуба, бука и древесноволокнистой плитой средней плотности)

Этикетки на инструменте

Наравне с кодом даты на инструменте могут находиться следующие знаки:

Электрическая безопасность



Ваш инструмент защищен двойной изоляцией, поэтому заземляющий провод не требуется. Всегда проверяйте, чтобы напряжение сети соответствовало напряжению, указанному на заводской табличке.

- Если оригинальный шнур питания поврежден, он должен быть заменен производителем или уполномоченным сервисного центра STANLEY для того, чтобы избежать опасности.

Использование удлинителя

Если необходимо использовать удлинитель, пожалуйста, используйте утвержденный удлинительный кабель, который соответствует спецификации входного питания инструмента (пожалуйста, обратитесь к техническим данным). Минимальная площадь поперечного сечения проводящей проволоки составляет 1,5 кв. мм. Кабели следует предварительно распутать.

Пожалуйста обратитесь к следующей таблице:

Площадь поперечного сечения кабеля (мм ²)	Номинальный ток допустимый для кабеля (ампер)
0,75	6
1,00	10
1,50	15
2,50	20
4,00	25
Длина кабеля (м)	
	7.5 15 25 30 45 60

Напряжение	Ампер	Номинальный ток допустимый для кабеля (ампер)
115	0 - 2.0	6 6 6 6 6 10
	2.1 - 3.4	6 6 6 6 15 15
	3.5 - 5.0	6 6 10 15 20 20
	5.1 - 7.0	10 10 15 20 20 25
	7.1 - 12.0	15 15 20 25 25 -
230	12.1 - 20.0	20 20 25 - - -
	0 - 2.0	6 6 6 6 6 6
	2.1 - 3.4	6 6 6 6 6 6
	3.5 - 5.0	6 6 6 6 10 15
	5.1 - 7.0	10 10 10 10 15 15
7.1 - 12.0	15 15 15 15 20 20	
	12.1 - 20.0	20 20 20 20 25 -

Характеристики

Этот инструмент включает в себя некоторые или все из следующих характеристик.

1. Переключатель плавного хода/скоростей
2. Кнопка блокировки
3. Селектор режимов
4. Зажим инструмента
5. Боковая рукоятка
6. Ограничитель глубины
7. Переключатель направления вращения

Сборка

Предостережение! Перед сборкой убедитесь, что инструмент выключен и отключен от источника питания.

Установка боковой рукоятки (рис. Е)

Предостережение! При сверлении отверстий в бетоне или кирпиче, пожалуйста, используйте боковую рукоятку для вашей безопасности.

- Поверните рукоятку против часовой стрелки до тех пор, пока можно сдвинуть боковую рукоятку к передней части инструмента.
- Поверните боковую рукоятку в нужное положение.
- Затяните боковую рукоятку, повернув рукоятку по часовой стрелке.

Предостережение! При использовании инструмента, не забудьте установить боковые ручки правильно.

Установка аксессуара (рис. А)

- Очистите и смажьте хвостовик (15) аксессуара.

- Вставьте планку аксессуара в зажим инструмента (4).
- Нажмите аксессуар вниз и немного поверните его пока он не войдет в пазы.
- Потяните аксессуар, чтобы проверить, правильно ли он закрывается. Ударное бурение и сверление требует, чтобы аксессуар имел возможность перемещаться в осевом направлении на несколько сантиметров, когда он блокируется в зажиме инструмента.
- Чтобы удалить аксессуар, потяните рукав обратно (8) и вытяните аксессуар из зажима инструмента.

Использование

Внимание! Пожалуйста, работайте с инструментом с нормальной нагрузкой. Не перегружайте его.

Предостережение! Перед сверлением стен, полов и потолков, проверьте наличие электропроводки и труб.

Выбор режима работы (рис. В)

Этот инструмент может быть использован в двух режимах работы. Исходя из фактических потребностей в работе, селектор режима бурения/сверления (3) может быть повернут в требуемое положение.

Сверление отверстий / Заворачивание (Рис. В, F, G, H)

- Для сверления в металле, древесине и пластика, а также для заворачивания саморезов установите переключатель режимов работы (3) в положение (1). В то же время, необходимо использовать соответствующий патрон (13) (дополнительная принадлежность), чтобы зафиксировать хвостовик насадки.
- Вставьте в держатель (4) патрон (13) в соответствии с инструкциями по установке насадок. Поверните патрон, чтобы ослабить зажим в передней части держателя насадок, вставьте в зажим хвостовик насадки (14) и поверните патрон в обратном направлении. Вы также можете использовать патрон, чтобы затянуть зажим.
- Для сверления в металле, древесине и пластика установите переключатель направления вращения (7) в переднее положение (Рис. G). Для использования инструмента для заворачивания саморезов устанавливайте переключатель направления вращения (7) в переднее положение (Рис. G), для выкручивания саморезов устанавливайте переключатель направления вращения (7) в положение реверса (Рис. H).

Сверление с ударом (рис. В)

- Для сверления с ударом в кирпичной кладке и бетоне, установите переключатель режимов работы (3) в нужное **T1** положение.

- Сверло должно быть помещено точно в отверстие дрели. После этого потяните переключатель для достижения оптимального эффекта. Убедитесь, что инструмент находится в правильном положении, чтобы предотвратить сверло от отклонения от отверстия.
- Когда высверливаемое отверстие забивается мусором или мелкой пылью, пожалуйста, не оказывайте никакого надавливания. Инструмент должен быть переведен с состояния свободной работы перед удалением части сверла из отверстия. Если повторить эту процедуру несколько раз, вы освободите отверстие от засорения, после чего можно возобновить обычное сверление.
- Чтобы включить инструмент, нажмите переключатель плавного хода (1). Скорость инструмента зависит от того, насколько сильно вы нажмете переключатель.
- Как правило, используют низкие скорости для сверл большого диаметра и высокие скорости для сверл малого диаметра.
- Для непрерывной работы нажмите фиксатор клавиши (2) и отпустите переключатель плавного хода.
- Чтобы включить инструмент, отпустите кнопку включателя. Чтобы выключить инструмент, когда он находится в непрерывном режиме работы, нажмите переключатель плавного хода еще раз и отпустите его.



Предостережение! Когда сверло попадает в цемент или стальную арматуру в цементе, с инструментом может произойти опасный эффект отдачи. Пожалуйста, держите инструмент плотно в сбалансированном и стабильном положении в течение всего времени работы, чтобы предотвратить эффект отдачи.

Предохранительная муфта

Если сверло зажимается или искривляется, движущая сила, передаваемая на бурильный вал, будет отключена. Создается огромная сила, таким образом, две руки должны плотно держать электроинструмент, когда он находится в работе, и убедитесь, что оператор находится в стабильном и неподвижном положении.

Установка глубины сверления (рис. E)

Ограничитель глубины является удобной функцией для обеспечения однородности глубины сверления. Ослабьте боковую рукоятку, чтобы отрегулировать ограничитель глубины в зависимости от требуемой глубины. После этого затяните боковую рукоятку.

- Ослабьте боковую рукоятку (5), повернув ручку против часовой стрелки.
- Установите ограничитель глубины сверления (6) в требуемое положение. Максимальная глубина сверления равна расстоянию между кончиком сверла и передней частью ограничителя глубины.
- Затяните боковую рукоятку, повернув рукоятку по часовой стрелке.

Включение и выключение

Предостережение! Перед подключением к источнику питания, убедитесь, что переключатель свободно передвигается и может вернуться в исходное положение после отпускания.

Аксессуары

Производительность вашего инструмента зависит от используемых аксессуаров. Аксессуары STANLEY разработаны согласно высоким стандартам качества, и они способны увеличить производительность вашего электроинструмента. Используя эти принадлежности, вы сможете наиболее эффективно использовать ваш инструмент.

Обслуживание

Ваши проводные/ беспроводные устройства/ инструменты STANLEY были разработаны для работы в течение длительного периода времени при минимальном техническом обслуживании. Для обеспечения удовлетворительной работы, инструмент должен правильно храниться и подвергаться регулярной чистке.

Предостережение! Перед выполнением любых работ по обслуживанию проводных/беспроводных электроинструментов:

- Выключите и отсоедините прибор/инструмент.
- Или отключите его и удалите батарею из устройства/инструмента, если прибор/инструмент имеет отдельный аккумулятор.
- Или запустите батарею полностью, если она встроена, а затем выключите.
- Отключите зарядное устройство перед чисткой. Ваше зарядное устройство не требует никакого обслуживания, кроме регулярной чистки.
- Регулярно очищайте вентиляционные прорези инструмента/прибора/зарядного устройства мягкой щеткой или сухой тканью.
- Регулярно очищайте корпус двигателя влажной тканью. Не используйте абразивные материалы или материалы на основе растворителя для чистки.
- Регулярно открывайте и проворачивайте патрон, чтобы удалить пыль изнутри (при засорении).

Замена угольных щеток (рис. D)

- Регулярно заменяйте и проверяйте угольные щетки. Заменяйте их своевременно по мере естественного износа. Содержите угольные щетки в чистоте и убедитесь, чтобы они свободно скользили в процессе чистки. Обе щетки должны быть заменены одновременно.
- Удалите фиксированные винты (9) на угольной щетке для снятия угольной щетки (10) и держателя щетки.
- Удалите пружину, поддерживающую угольные щетки (11) в держатель щетки, и вставьте новую угольную щетку, которая соответствует требованиям.
- Установите держатель щетки снова и верните опорную спиральную пружину в исходное положение.



Чистка



Предостережение! Выдувайте грязь и пыль из основного корпуса при помощи сухого воздуха каждый раз, когда вы видите скопление грязи и пыли внутри и вокруг вентиляционных отверстий. Надевайте средство защиты глаз и респиратор, утвержденные для использования при выполнении этой процедуры.



Внимание! Никогда не используйте растворители или другие агрессивные химикаты для очистки неметаллических деталей инструмента. Эти химические вещества могут ослабить свойства материала, из которого они изготовлены. Используйте только мягкое мыло и влажную ткань, чтобы очистить инструмент. Никогда не допускайте попадания жидкости внутрь инструмента и не погружайте никакую часть инструмента в жидкость.

поручению. Вы можете узнать место нахождения Вашего ближайшего авторизованного сервисного центра, обратившись в Ваш местный офис STANLEY по адресу, указанному в данном руководстве по эксплуатации. Кроме того, список авторизованных сервисных центров STANLEY и полную информацию о нашем послепродажном обслуживании и контактах Вы можете найти в интернете по адресу: www.2helpU.com.

Технические данные

Бурильный молоток для вращательного бурения		STHR202
Входная мощность	W	620
Напряжение	V	220-240
Частота	Hz	50/60
Скорость без нагрузки	/мин	0-1250
Частота ударов	bpm	0-3900
Энергия удара	J	1,34
Режимы		2
Макс диаметр сверления		
Бетон	мм	20
Сталь	мм	13
Дерево	мм	25
Масса	кг	2,6

Защита окружающей среды



Раздельный сбор. Данное изделие нельзя утилизировать вместе с обычными бытовыми отходами.

Если однажды Вы захотите заменить Ваш электроинструмент STANLEY, или Вы больше в нем не нуждаетесь, не выбрасывайте его вместе с бытовыми отходами. Отнесите изделие в специальный приемный пункт.



Фирма STANLEY обеспечивает прием и переработку отслуживших свой срок изделий STANLEY. Чтобы воспользоваться этой услугой,

Вы можете сдать Ваше изделие в любой авторизованный сервисный центр, который собирает их по нашему

STANLEY

Гарантийные условия

Уважаемый покупатель!

1. Поздравляем Вас с покупкой высококачественного изделия STANLEY и выражаем признательность за Ваш выбор.
2. При покупке изделия требуйте проверки его комплектности и исправности в Вашем присутствии, инструкцию по эксплуатации и заполненный гарантийный талон на русском языке.

В гарантийном талоне должны быть внесены: модель, дата продажи, серийный номер, дата производства инструмента; название, печать и подпись торговой организации. При отсутствии у Вас правильно заполненного гарантийного талона, а также несоответствия указанных в нем данных мы будем вынуждены отклонить Ваши претензии по качеству данного изделия.

3. Во избежание недоразумений убедительно просим Вас перед началом работы с изделием внимательно ознакомиться с инструкцией по его эксплуатации. Правовой основой настоящих гарантийных условий является действующее Законодательство. Гарантийный срок на данное изделие составляет 24 месяца и исчисляется со дня продажи. В случае устранения недостатков изделия, гарантийный срок продлевается на период его нахождения в ремонте. Срок службы изделия составляет 5 лет со дня продажи.
4. В случае возникновения каких-либо проблем в процессе эксплуатации изделия рекомендуем Вам обращаться только в уполномоченные сервисные центры STANLEY, адреса и телефоны которых Вы сможете найти в гарантийном талоне, на сайте www.2helpU.com или узнать в магазине. Наши сервисные станции - это не только квалифицированный ремонт, но и широкий ассортимент запчастей и принадлежностей.
5. Производитель рекомендует проводить периодическую проверку и техническое обслуживание изделия в уполномоченных сервисных центрах.



Изготовитель

Блэк энд Деккер Холдингс ГмбХ
Германия, 65510, Идштайн,
ул. Блэк энд Деккер, 40

6. Наши гарантийные обязательства распространяются только на неисправности, выявленные в течение гарантийного срока и вызванные дефектами производства и \ или материалов.
7. **Гарантийные условия не распространяются на неисправности изделия, возникшие в результате:**
 - 7.1. Несоблюдения пользователем предписаний инструкции по эксплуатации изделия, применения изделия не по назначению, неправильном хранении, использования принадлежностей, расходных материалов и запчастей, не предусмотренных производителем.
 - 7.2. Механического повреждения (сколы, трещины и разрушения) внутренних и внешних деталей изделия, основных и вспомогательных рукояток, сетевого электрического кабеля, вызванного внешним ударным или любым иным воздействием
 - 7.3. Попадания в вентиляционные отверстия и проникновение внутрь изделия посторонних предметов, материалов или веществ, не являющихся отходами, сопровождающими применение изделия по назначению, такими как: стружка, опилки, песок, и пр.
 - 7.4. Воздействия на изделие неблагоприятных атмосферных и иных внешних факторов, таких как дождь, снег, повышенная влажность, нагрев, агрессивные среды, несоответствие параметров питающей электросети, указанных на инструменте.
 - 7.5. Стихийного бедствия. Повреждение или утрата изделия, связанное с непредвиденными бедствиями, стихийными явлениями, в том числе вследствие действия непреодолимой силы (пожар, молния, потоп и другие природные явления), а так же вследствие перепадов напряжения в электросети и другими причинами, которые находятся вне контроля производителя.
8. **Гарантийные условия не распространяются:**
 - 8.1. На инструменты, подвергавшиеся вскрытию, ремонту или модификации вне уполномоченного сервисного центра.
 - 8.2. На детали и узлы, имеющие следы естественного износа, такие как: приводные ремни и колеса, угольные щетки, смазка, подшипники, зубчатое зацепление редукторов, резиновые уплотнения, сальники, направляющие ролики, муфты, выключатели, бойки, толкатели, стволы, и т.п.
 - 8.3. На сменные части: патроны, цанги, зажимные гайки и фланцы, фильтры, аккумуляторные батареи, ножи, шлифовальные подошвы, цепи, звездочки, пильные шины, защитные кожухи, пилки, абразивы, пильные и абразивные диски, фрезы, сверла, буры и т.п.
 - 8.4. На неисправности, возникшие в результате перегрузки инструмента (как механической, так и электрической), повлекшей выход из строя одновременно двух и более деталей и узлов, таких как: ротора и статора, обеих обмоток статора, ведомой и ведущей шестерни редуктора или других узлов и деталей. К безусловным признакам перегрузки изделия относятся, помимо прочего: появление цветов побежалости, деформация или оплавление деталей и узлов изделия, потемнение или обугливание изоляции проводов электродвигателя под воздействием высокой температуры.



**Приложение к руководству по эксплуатации
Перфораторы**

Модели: *STHR223, STHR263, STHR272, STHR323, STHR243, FME500, FME1250, FME1250KPPЕ., STHR202*
Отбойные молотки

Модели: *STHM5, STHM10.*

Сделано в Китае.

Сертификат №: RU C-DE.AT49.V.03916

Действителен до: 12 марта 2018 г.

Выдан: Общество с ограниченной ответственностью "Гильдия

Качества", адрес местонахождения: 115088, город Москва,

Шарикоподшипниковская улица, дом 4, корпус 12, фактический адрес:

248018, Калужская область, город Калуга, улица Карла Либкнехта, дом

31, телефон: +7(4842) 22-02-81, факс: +7(499)372-00-89, e-mail:

gk.tr.ts@gmail.com.

Изготовитель: Блэк энд Деккер Холдингс ГмбХ

Германия, 65510, Иштайн,

ул. Блэк энд Деккер, 40

Хранение.

Необходимо хранить в сухом месте, вдали от источников повышенных температур и воздействия солнечных лучей. При хранении необходимо избежать резкого перепада температур. Хранение без упаковки не допускается

Срок службы.

Срок службы изделия составляет 5 лет. Не рекомендуется к эксплуатации по истечении 5 лет хранения с даты изготовления без предварительной проверки. Дата изготовления (код даты) указана на корпусе инструмента.

Код даты, который также включает год изготовления, отштампован на поверхности корпуса изделия..

Пример:

2014 46 XX, где 2014—год изготовления, 46—неделя изготовления.

Определить месяц изготовления по указанной неделе изготовления можно согласно приведенной ниже таблице.

Уполномоченное изготовителем юр.лицо:

ООО "Стэнли Блэк энд Деккер", 117485, город Москва, улица Обручева, дом 30/1, строение 2

Телефон: + 7 (495) 258-3981, факс: + 7 (495) 258-3984, E-mail:

inbox@dewalt.com

Сведения о импортере указаны в эксплуатационных документах и/или на упаковке

Транспортировка.

Категорически не допускается падение и любые механические

воздействия на упаковку при транспортировке.

При разгрузке/погрузке не допускается использование любого вида техники, работающей по принципу зажима упаковки.

Перечень критических отказов, возможные ошибочные действия персонала.

Не допускается эксплуатация изделия:

-При появлении дыма из корпуса изделия

-При поврежденном и/или оголенном сетевом кабеле

-при повреждении корпуса изделия, защитного кожуха, рукоятки

-при попадании жидкости в корпус

-при возникновении сильной вибрации

-при возникновении сильного искрения внутри корпуса

Критерии предельных состояний.

-При поврежденном и/или оголенном сетевом кабеле

-при повреждении корпуса изделия

Месяц	Январь	Февраль	Март	Апрель	Май	Июнь	Июль	Август	Сентябрь	Октябрь	Ноябрь	Декабрь	Год производства
Неделя	01	05	09	14	18	22	27	31	36	40	44	49	2014
	02	06	10	15	19	23	28	32	37	41	45	50	
	03	07	11	16	20	24	29	33	38	42	46	51	
	04	08	12	17	21	25	30	34	39	43	47	52	
	05	09	13	18	22	26	31	35	40	44	48		
Неделя			14			27							2015
	01	05	09	14	18	23	27	31	36	40	44	49	
	02	06	10	15	19	24	28	32	37	41	45	50	
	03	07	11	16	20	25	29	33	38	42	46	51	
	04	08	12	17	21	26	30	34	39	43	47	52	
Неделя			13	18	22	27	31	35	40	44	48	53	2016
			14					36			49		
	01	05	09	13	17	22	26	31	35	39	44	48	
	02	06	10	14	18	23	27	32	36	40	45	49	
	03	07	11	15	19	24	28	33	37	41	46	50	
Неделя	04	08	12	16	20	25	29	34	38	42	47	51	2017
		09	13	17	21	26	30	35	39	43	48	52	
				22					44				
	01	05	09	13	18	22	26	31	35	39	44	48	
	02	06	10	14	19	23	27	32	36	40	45	49	
Неделя	03	07	11	15	20	24	28	33	37	41	46	50	2017
	04	08	12	16	21	25	29	34	38	42	47	51	
	05	09	13	17	22	26	30	35	39	43	48	52	
						31			44				

Використання за призначенням

Ваш STANLEY STHR202 SDS плюс бурильний молоток для обертального буріння призначений для свердління отворів в бетоні, цеглі, дереві і сталі. Інструмент призначений для професійного викомалтання.

Правила техніки безпеки

Загальні попередження з техніки безпеки електроінструментів



Увага! Ознайомтеся з усіма правилами безпеки та інструкціями. Недотримання попереджень та інструкцій, зазначених нижче, може призвести до ураження електричним струмом, пожежі та/або серйозної травми.

Збережіть всі попередження та інструкції для майбутнього використання. Термін "електроінструмент" у всіх попередженнях, зазначених нижче, відноситься до мережевого (з кабелем) електроінструменту або акумуляторної батареї (без кабелю живлення).

1. Вказівки з техніки безпеки на робочому місці

- a. **Утримуйте робоче місце в чистоті і добре освітленим.** Безлад або погане освітлення на робочому місці можуть призвести до нещасного випадку.
- b. **Не працюйте з електроінструментом в місці зберігання вибухонебезпечних матеріалів, наприклад, у присутності легкозаймистих рідин, газів або пилу.** Електричні інструменти створюють іскри, що можуть запалити пил або пари.
- c. **Забороняється перебування дітей та сторонніх осіб поблизу працюючого електричного інструменту.** Ви можете відволіктися і втратити контроль за роботою інструменту.

2. Електрична безпека

- a. **Вилка шнура живлення інструмента повинна відповідати мережевій розетці.** Забороняється вносити будь-які зміни у вилку шнура живлення. **Не використовуйте жодних вилок-перехідників із заземленими (зануленими) електроінструментами.** Відсутність змін у вилках шнурів живлення та відповідність електричних вилок і розеток знижує ризик ураження електричним струмом.
- b. **Не торкайтеся поверхонь заземлених чи занулених предметів, наприклад труб, радіаторів, електроплит або холодильників.** Заземлення чи занулення тіла підвищує ризик ураження електричним струмом.
- c. **Забороняється піддавати електричні інструменти впливу дощу чи підвищеної вологості.** При попаданні вологи всередину електричного інструмента підвищується ризик ураження

електричним струмом.

- d. **Забороняється пошкоджувати шнур живлення. У жодному разі не використовуйте шнур живлення для перенесення чи зміни положення інструмента; не тягніть за шнур, виймаючи вилку з розетки. Не прокладайте шнур живлення поруч із гарячими предметами, мастилом, гострими краями і рухомими деталями.** Пошкодження й заплутування шнурів живлення підвищує ризик ураження електричним струмом.
 - e. **Під час роботи з електричним інструментом за межами приміщень використовуйте відповідний подовжувач.** Використання подовжувача, призначеного для роботи поза приміщеннями, знижує ризик ураження електричним струмом.
 - f. **Якщо електричним інструментом необхідно користуватись у вологому місці, слід використовувати пристрій захисного відключення (ПЗВ) електричної мережі.** Використання ПЗВ знижує ризик ураження електричним струмом. **Примітка:** Термін "пристрій захисного відключення (ПЗВ)" може бути замінений на "аварійний переривач заземлення" або "автоматичний вимикач струму витоку".
- #### 3. Безпека персоналу
- a. **Під час роботи з електричним інструментом необхідно бути обачним, слідкувати за виконуваною роботою та керуватися здоровим глуздом.** Забороняється працювати з електричним інструментом у стані втоми чи під впливом наркотиків, алкоголю й лікарських препаратів. Ослаблення уваги навіть на мить може призвести до серйозної травми.
 - b. **Використовуйте засоби індивідуального захисту. Завжди користуйтеся засобами захисту очей.** Використання у відповідних умовах засобів індивідуального захисту, наприклад пилозахисної маски, протиковзного захисного взуття, захисної каски або засобів захисту органів слуху, завжди знижує ризик отримання травми.
 - c. **Не допускайте ненавмисного вмикання інструмента.** Перш ніж підключити джерело живлення та/або акумулятор, піднімати чи переносити інструмент, переконайтесь, що його вимикач переведено у положення «вимкнено». Якщо тримати палець на вимикачі під час перенесення інструмента чи підключення увімкненого інструмента до мережі, це підвищує ризик нещасного випадку.
 - d. **Перш ніж увімкнути електричний інструмент, обов'язково вийміть із нього регульовальний чи гайковий ключ.** Ключ, залишений ключ на обертальній деталі інструмента, може призвести до травмування.

- e. **Не намагайтеся дотягнутися до важкодоступних місць. Завжди міцно тримайтеся на ногах і зберігайте рівновагу під час роботи.** Це дозволяє краще контролювати електричний інструмент у непередбачуваних ситуаціях.
- f. **Одягайте відповідний одяг. Забороняється одягати вільний одяг або прикраси. Волосся, одяг та рукавиці повинні знаходитися на максимальній відстані від рухомих деталей інструмента.** Вільний одяг, прикраси або довге волосся можуть бути захоплені рухомими деталями.
- g. **Якщо встановлені пристрої підключення засобів пилівловлювання та пилосбірників, необхідно перевіряти, щоб вони були підключені та використовувалися належним чином.** Використання цих пристроїв знижує рівень ризику, пов'язаного з пилом.
- 4. Використання та догляд за електричним інструментом**
- a. **Не застосовуйте надмірне зусилля до електричного інструмента. Використовуйте електричний інструмент тільки за призначенням.** Правильно підібраний електроінструмент дозволить виконати роботу краще і безпечніше при швидкості, для якої він був розроблений.
- b. **Забороняється використовувати цей електричний інструмент, якщо не вдається ввимкнути чи вимкнути його вимикачем.** Будь-який електричний інструмент, роботою якого неможливо керувати за допомогою вимикача, є небезпечним, і його обов'язково потрібно відремонтувати.
- c. **Перш ніж регулювати електричний інструмент, замінювати на ньому приладдя чи класти на зберігання, необхідно витягти вилку живлення з розетки та/або зняти з нього акумулятор.** Такий превентивний захід безпеки знижує ризик випадкового увімкнення інструмента.
- d. **Зберігайте електричний інструмент, який в даний момент не використовується, в недоступному для дітей місці та не дозволяйте працювати з інструментом особам, які не знайомі з ним або з цими вказівками.** Електричний інструмент є небезпечним в руках ненавченої людини.
- e. **Підтримуйте інструмент в робочому стані. Перевіряйте центрування та з'єднання рухомих деталей, наявність пошкоджених деталей та будь-які фактори, які можуть негативно позначитися на роботі електричного інструмента.** У разі виявлення пошкодження електричний інструмент необхідно відремонтувати перед використанням. Багато нещасних випадків трапляється через неналежне технічне обслуговування електричних інструментів.

f. **Ріжучі інструменти мають бути загостреними й чистими.** Підтримуваний у належному робочому стані ріжучий інструмент з гострими лезами менше застряє, ним легше керувати.

g. **Використовуйте електричний інструмент, приладдя, вставні різці і т. п. відповідно до даних вказівок, враховуючи умови експлуатації та роботу, яка має бути виконана.** Використання електричного інструменту не за призначенням може призвести до небезпечної ситуації.

5. Обслуговування

a. **Обслуговувати електричний інструмент повинен тільки кваліфікований ремонтний персонал із використанням лише ідентичних запасних частин.** Це забезпечить утримання електричного інструмента у безпечному стані.

*** Примітка:** Напруга мережі: при підключенні до мережі, необхідно перевірити, чи збігається напруга мережі з електроприладами. Якщо напруга мережі перевищує напругу, вказану на інструменті, користувач може отримати травми і каліцтва в результаті нещасного випадку, а інструмент може бути пошкоджений. Якщо ж напруга мережі нижче, ніж напруга, необхідна для інструменту, двигун може бути пошкоджений. Таким чином, якщо неможливо, перевірити напругу, вкрай важливо не підключати інструмент до джерела живлення.

Попередження з безпеки для молота

- **Одягайте захисні навушники при свердлінні.** Вплив шуму може призвести до втрати слуху.
- **Використовуйте додаткові рукаятки, якщо вони входять в комплект поставки інструменту.** Втрата контролю може призвести до травми.
- **Тримайте інструмент за ізольовані поверхні під час роботи, при якій ріжучий інструмент може зачепити приховану проводку або власний кабель.** При контакті ріжучого аксесуара з «працюючим» проводом або відкритими металевими частинами електроінструменту, оператора може вдарити електричним струмом.
- **Ніколи не використовуйте долото в ротаційному режимі.** Аксесуар увійде в матеріал і призведе до обертання дрilla.
- **Використовуйте лещата або інше відповідне пристосування для забезпечення і підтримки оброблюваного виробу на стійкій платформі.** Проведення роботи по напрямку руки або проти вашого тіла, позбавляє стійкості і може призвести до втрати контролю.
- **Перед свердлінням стін, підлог і стель, перевірте розташування електропроводки і труб.**

- Не торкайтеся до кінчика свердла відразу після закінчення свердління, щоб уникнути опіків.
- Призначення інструменту описується в цьому посібнику. Використання будь-яких аксесуарів або пристосувань, виконання будь-яких операцій за допомогою цього інструменту, не рекомендованих у цьому посібнику, може становити небезпеку отримання травм та/або пошкодження майна.

Безпека сторонніх осіб

- Цей інструмент не призначений для використання особами (включаючи дітей) з обмеженими фізичними, чутливими або розумовими здібностями або з браком досвіду чи знань, якщо вони не були під контролем і керівництвом особи, яка контролює використання інструменту або відповідальна за їх безпеку.
- Діти повинні бути під наглядом дорослих, щоб не допустити ніяких ігор з інструментом.

інші ризики

Додаткові залишкові ризики можуть виникнути при використанні інструменту, який не може бути включений в описані тут правила техніки безпеки. Ці ризики можуть виникнути при неправильному або тривалому використанні виробу і т.д. Незважаючи на дотримання відповідних правил техніки безпеки та використання запобіжних пристроїв, деяких залишкових ризиків неможливо уникнути. Вони включають в себе:

- Травми в результаті торкання обертових/рухомих частин.
- Ризик отримання травми під час зміни деталей інструменту, ножів або насадок.
- Травми, викликані тривалим використанням інструменту. При використанні інструменту протягом тривалого часу робіть регулярні перерви в роботі.
- Поганий слух
- Збиток здоров'ю внаслідок вдихання пилу при використанні інструменту (приклад: робота з деревом, особливо, з деревиною дуба, бука і деревоволокнистими плитами середньої щільності)

Етикетки на інструменті

Етикетки на вашому інструменті можуть включати такі символи:

	Читайте інструкції з експлуатації	Гц Герц		Конструкція класу II
	Використовуйте засоби захисту очей	Вт Ватт		Термінал заземлення
	Використовуйте засоби захисту органів слуху	мин хвилини		Символ попередження про небезпеку
				обороти або зворотно поступальний рух в хвилину
			хв..	
V	Вольт	п ₀	Швидкість без навантаження	
A	Ампер			

Положення дати штрих-коду

Дата коду, який також включає рік виготовлення, друкується на корпусі.

Приклад:

2017 XX JN
Рік виготовлення

Електрична безпека



Ваш інструмент захищений подвійною ізоляцією, тому заземлюючий провід не потрібно. Завжди перевіряйте, щоб напруга мережі відповідала напрузі, вказаній на таблиці.

- Якщо оригінальний шнур живлення пошкоджений, він повинен бути замінений виробником або уповноваженим сервісним центром STANLEY для того, щоб уникнути небезпеки.

Використання подовжувача

Якщо необхідно використовувати подовжувач, будь ласка, використовуйте затверджений подовжувач, який відповідає специфікації вхідного живлення інструменту (будь ласка, зверніться до технічних даних). Мінімальна площа поперечного перерізу провідного дроту складає 1,5 кв. мм. Кабелі слід попередньо розплутати.

Будь ласка зверніться до наступної таблиці:

Площа поперечного перерізу кабелю (мм ²)	Номинальний струм допустимий для кабелю (ампер)
0.75	6
1.00	10
1.50	15
2.50	20
4.00	25
Длина кабелю (м)	
	7.5 15 25 30 45 60a

Напряга	Ампер	Н омінальний струм допустимий для кабелю (ампер)
115	0 - 2.0	6 6 6 6 6 10
	2.1 - 3.4	6 6 6 6 15 15
	3.5 - 5.0	6 6 10 15 20 20
	5.1 - 7.0	10 10 15 20 20 25
	7.1 - 12.0	15 15 20 25 25 -
230	12.1 - 20.0	20 20 25 - - -
	0 - 2.0	6 6 6 6 6 6
	2.1 - 3.4	6 6 6 6 6 6
	3.5 - 5.0	6 6 6 6 10 15
	5.1 - 7.0	10 10 10 10 15 15
7.1 - 12.0	15 15 15 15 20 20	
12.1 - 20.0	20 20 20 20 25 -	

Характеристики

Цей інструмент включає в себе деякі або всі з таких характеристик.

1. Перемикач плавного ходу/швидкості
2. Кнопка блокування
3. Селектор режимів
4. Зажим інструмента
5. Бічна рукоятка
6. Обмежувач глибини
7. Перемикач вперед/назад

Збірка

Застереження! Перед збіркою, будь ласка, переконайтеся, що електроінструмент вимкнено, і вилка шнура живлення інструменту відключена від джерела живлення.

Установка бічної рукоятки (мал. Е)

Застереження! При свердлінні отворів в бетоні або цеглі, будь ласка, використовуйте бічну рукоятку для вашої безпеки.

- Поверніть рукоятку проти годинникової стрілки до тих пір, поки можна зрушити бічну рукоятку до передньої частини інструменту.
- Поверніть бічну рукоятку в потрібне положення.
- Затягніть бічну рукоятку, повернувши рукоятку за годинниковою стрілкою.

Застереження! При використанні інструменту, не забудьте встановити бічну рукоятку правильно.

Установка аксесуара (мал. А)

- Очистіть і змастіть хвостовик (15) аксесуара.
- Вставте планку аксесуара в затиск інструменту (4).
- Натисніть аксесуар вниз і трохи поверніть його поки він не ввійде в пази.
- Потягніть аксесуар, щоб перевірити, чи правильно він закривається. Ударне буріння та свердління вимагає, щоб аксесуар мав можливість переміщатися в осьовому напрямку на кілька сантиметрів, коли він блокується в затиску інструменту.
- Щоб видалити аксесуар, потягніть рукав назад (8) і витягніть аксесуар із затиску інструменту.

Використання

Застереження! Будь ласка, використовуйте електроінструмент під нормальним навантаженням; перевантаження не допускаються.

Застереження! Перед свердлінням отворів в стіні, підлозі або стелі, будь ласка, перевірте положення проводів і сталевих труб.

Вибір режиму роботи (мал. В)

Цей інструмент може бути використаний у двох режимах роботи. Виходячи з фактичних потреб у роботі, селектор режиму буріння/свердління (3) може бути повернутий в необхідне положення.

Перфоратор / викрутка (рис. В.F.G.H)

- Для свердління сталі, деревини та пластмас, або укрупчування та викручування шурупів переводять перемикач режиму роботи (3) в положення (1). Звертаємо увагу на те, що для затискання стрижня свердла слід використовувати відповідний перехідний патрон (13) (слід замовляти окремо).
- Вставте перехідний патрон (13) в патрон інструменту (4) згідно з інструкцією по установці допоміжних елементів. Прокрутіть перехідний патрон так, щоби елементи затискача на передній частині цього патрона розійшлися, і вставте стрижень (14) в отвір, що утворився; після цього прокрутіть перехідний патрон в протилежному напрямку. Для затягування затискача Ви можете використовувати ключ перехідного патрона.
- Для свердління сталі, деревини та пластмас переводять важіль «вперед - назад» (7) в положення «вперед» (рис. G). Якщо інструмент планується використовувати як викрутку, то у випадку, коли шурупи будуть вкручувати, важіль переводять «вперед - назад» (7) в положення «вперед» (рис. G), а у випадку, коли їх будуть викручувати – в положення «назад» (рис. H).

Свердління з ударом (мал. В)

- Для свердління з ударом в цегляній кладці і бетоні, встановіть перемикач режимів роботи (3) в потрібне положення **T1**.
- Свердло повинно бути поміщено точно в отвір дреля. Після цього потягніть перемикач для досягнення оптимального ефекту. Переконайтеся, що інструмент знаходиться в правильному положенні, щоб запобігти відхиленню свердла від отвори.
- Коли отвір забувається сміттям або дрібним пилом під час роботи, будь ласка, ні яким чином не натискайте на отвір. Інструмент повинен бути переведений в стан вільної роботи перед видаленням частини свердла з отвору. Якщо повторити цю процедуру кілька разів, ви звільните отвір від засмічення, після чого можна відновити звичайне свердління.



Застереження! Коли свердло потрапляє в цемент або сталеву арматуру в цементі, з інструментом може статися небезпечний ефект віддачі. Будь ласка, тримайте інструмент щільно в збалансованому та стабільному положенні протягом усього часу роботи, щоб запобігти ефекту віддачі.

Запобіжна муфта

Якщо свердло затискається або викривляється, рушійна сила, передана на бурильний вал, буде відключена. Створюється величезна сила, таким чином, дві руки повинні щільно тримати електроінструмент, коли він знаходиться в роботі, і переконайтеся, що оператор знаходиться в стабільному і нерухомому положенні.

Установка глибини сверлення (мал. Е)

Обмежувач глибини є зручною функцією для забезпечення однорідності глибини свердління. Послабте бічну рукоятку, щоб відрегулювати обмежувач глибини в залежності від необхідної глибини. Після цього затягніть бічну рукоятку.

- Послабте бічну рукоятку (5), повернувши ручку проти годинникової стрілки.
- Встановіть обмежувач глибини свердління (6) в необхідне положення. Максимальна глибина свердління дорівнює відстані між кінчиком свердла і передньою частиною обмежувача глибини.
- Затягніть бічну рукоятку, повернувши рукоятку за годинниковою стрілкою.

Вмикання і вимкання

Застереження! Перед підключенням до джерела живлення, переконайтеся, що перемикач вільно пересувається і може повернутися у вихідне положення після відпускання.

- Щоб включити інструмент, натисніть перемикач плавного ходу (1). Швидкість інструменту залежить від того, наскільки сильно ви натиснете перемикач.
- Як правило, використовують низькі швидкості для свердел великого діаметру і високі швидкості для свердел невеликого діаметру.
- Для безперервної роботи натисніть фіксатор клавіші (2) і відпустіть перемикач плавного ходу.
- Щоб включити інструмент, відпустіть кнопку вмикача. Щоб вимкнути інструмент, коли він знаходиться в безперервному режимі роботи, натисніть перемикач плавного ходу ще раз і відпустіть його.

Аксесуари

Продуктивність вашого електроінструменту залежить від використовуваних аксесуарів. Аксесуари STANLEY розроблено відповідно високим стандартам якості, і вони здатні збільшити продуктивність вашого електроінструменту. Використовуючи ці принадлежности, ви зможете найбільш ефективно використовувати ваш інструмент.

Обслуговування

Ваші дротові/бездротові пристрої/інструменти STANLEY можуть бути використані протягом тривалого часу і вимагають мінімального технічного обслуговування. Щоб домогтися тривалого задовільного використання, необхідно належне технічне обслуговування та регулярне чищення інструменту.

Застереження! Перед виконанням будь-яких робіт з техобслуговування дротових/бездротових електричних інструментів, необхідно здійснити наступне:

- Вимкніть і відключіть прилад/інструмент.
- Або вимкніть його і видаліть батарею з пристрою/інструменту, якщо прилад/інструмент має окремих акумулятор.
- Або запустіть батарею повністю, якщо вона вбудована, а потім вимкніть.
- Вимкніть зарядний пристрій перед чищенням. Ваш зарядний пристрій не вимагає ніякого обслуговування, крім регулярного чищення.
- Регулярно очищайте вентиляційні прорізи інструменту/приладу/зарядного пристрою м'якою щіткою або сухою тканиною.
- Регулярно очищайте корпус двигуна вологою тканиною. Не використовуйте абразивні матеріали або матеріали на основі розчинника для чищення.
- Регулярно відкривайте і перевіряйте патрон, щоб видалити пил зсередини (при засміченні).

Заміна вугільних щіток (мал. D)

- Регулярно замінюйте і перевіряйте вугільні щітки. Замінюйте їх своєчасно у міру природного зносу. Утримуйте вугільні щітки в чистоті і переконайтеся, щоб вони вільно ковзали в процесі чищення. Обидві щітки повинні бути замінені одночасно.
- Видаліть фіксовані гвинти (9) на вугільній щітці для зняття вугільної щітки (10) і утримувача щітки.
- Видаліть пружину, підтримуючу вугільні щітки (11) в тримачу щітки і вставте нову вугільну щітку, яка відповідає вимогам.
- Встановіть тримач щітки знову і поверніть опорну спіральну пружину у вихідне положення.



Чищення



Застереження! Видувайте бруд і пил з основного корпусу за допомогою сухого повітря кожен раз, коли ви бачите скупчення бруду і пилу всередині і навколо вентиляційних отворів. Одягайте засіб захисту очей і респіратор, затверджені для використання при виконанні цієї процедури.



Застереження! Строго заборонено для очищення неметалевих деталей інструменту використовувати розчинники або інші дратівливі хімічні речовини. Ці хімікати можуть погіршити стан матеріалів, з яких складаються компоненти приладу. Для очищення використовуйте тільки тканину, змочену в слабкому мильному розчині. Ніколи не допускайте попадання яких-небудь речовин всередину інструменту і не опускайте будь-яку частину інструменту в рідину.

Захист навколишнього середовища



Окреме збирання. Цей продукт не можна викидати разом зі звичайним побутовим сміттям.

Якщо якийсь ви вирішите, що ваш виріб фірми STANLEY має бути замінено, або він вам більше не потрібний, не викидайте його на смітник побутового сміття. Зробіть цей виріб доступним для спеціального збирання.



Компанія STANLEY має можливість для збору та переробки продуктів власного виробництва після закінчення їхнього терміну служби. Щоб скористатися цією послугою, поверніть виріб компанії в офіційний сервісний центр, які збирають відпрацьовані продукти за наш рахунок.

Ви можете знайти місцезнаходження найближчого до Вас сервісного центру, зв'язавшись з місцевим офісом компанії STANLEY за адресою, вказаною в цих інструкціях.

Крім того, список офіційних сервісних центрів компанії STANLEY з усіма подробицями нашого післяпродажного обслуговування та контактною інформацією міститься в Інтернеті за адресою: www.2helpU.com

Технічні дані

Бурильний молоток для обертального буріння	STHR202	
Вхідна потужність	W	620
Напруга	V	220-240
Частота	Hz	50/60
Швидкість без навантаження	/хвил.	0-1250
Частота ударів	bpm	0-3900
Енергія удара	J	1,34
Режими		2
Макс діаметр свердління		
Бетон	мм	20
Сталь	мм	13
Дерево	мм	25
Вага	кг	2,6

STANLEY

Гарантійні умови

Шановний покупець!

1. Вітаємо Вас з покупкою високоякісного виробу STANLEY і висловлюємо вдячність за Ваш вибір.
2. При покупці виробу вимагайте перевірки його комплекності і справності у Вашій присутності, інструкцію з експлуатації та заповнений гарантійний талон українською мовою

В гарантійному талоні повинні бути внесені: модель, дата продажу, серійний номер, дата виробництва інструменту; назва, печатка і підпис торгової організації. За відсутності у Вас правильно заповненого гарантійного талону, а також при невідповідності зазначених у ньому даних ми будемо змушені відхилити Ваші претензії щодо якості даного виробу.

3. Щоб уникнути непорозумінь, переконливо просимо Вас перед початком роботи з виробом уважно ознайомитися з інструкцією з його експлуатації. Правовою основою справжніх гарантійних умов є чинне Законодавство. Гарантійний термін на даний виріб складає 24 місяці і обчислюється з дня продажу. У разі усунення недоліків виробу, гарантійний строк продовжується на період його перебування в ремонті. Термін служби виробу становить 5 років з дня продажу.
4. У разі виникнення будь-яких проблем у процесі експлуатації виробу рекомендуємо Вам звертатися тільки в уповноважені сервісні центри STANLEY, адреси та телефони яких Ви зможете знайти в гарантійному талоні, на сайті www.2helpU.com або дізнатися в магазині. Наші сервісні станції - це не тільки кваліфікований ремонт, але і широкий асортимент запчастин і аксесуарів.
5. Виробник рекомендує проводити періодичну перевірку і технічне обслуговування виробу в уповноважених сервісних центрах.
6. Наші гарантійні зобов'язання поширюються тільки на несправності, виявлені протягом гарантійного терміну і викликані дефектами виробництва та \ або матеріалів.
7. Гарантійні умови не поширюються на несправності виробу, що виникли в результаті:
- 7.1 Недотримання користувачем приписів інструкції з експлуатації виробу, застосування виробу не за призначенням, неправильного зберігання, використання приладдя, витратних матеріалів і запчастин, що не передбачені виробником.
- 7.2 Механічного пошкодження (відколи, тріщини і руйнування) внутрішніх і зовнішніх деталей виробу, основних і допоміжних рукояток, мережевого кабелю, що викликані зовнішнім ударним або будь-яким іншим впливом

- 7.3 Потраплення у вентиляційні отвори та проникнення всередину виробу сторонніх предметів, матеріалів або речовин, що не є відходами, які супроводжують застосування виробу за призначенням, такими як: стружка, тирса, пісок, та ін.
- 7.4 Впливу на виріб несприятливих атмосферних і інших зовнішніх факторів, таких як дощ, сніг, підвищена вологість, нагрівання, агресивні середовища, невідповідність параметрів електромережі, що зазначені на інструменті.
- 7.5 Стихійного лиха. Пошкодження або втрати виробу, що пов'язані з непередбаченими лихами, стихійними явищами, у тому числі внаслідок дії непереборної сили (пожежа, блискавка, потоп і інші природні явища), а також внаслідок перепадів напруги в електромережі та іншими причинами, які знаходяться поза контролем виробника.
8. Гарантійні умови не поширюються:
- 8.1. На інструменти, що піддавались розкриттю, ремонту або модифікації поза уповноваженим сервісним центром.
- 8.2. На деталі, вузли та матеріали, що мають сліди природного зносу, такі як: приводні ремені і колеса, вугільні щітки, мастило, підшипники, зубчасті зчеплення редукторів, гумові ущільнення, салніки, направляючі ролики, муфти, вимикачі, бойки, штовхачі, стволі тощо.
- 8.3. На змінні частини: патрони, цанги, затискові гайки і фланці, фільтри, акумуляторні батареї, ножі, шліфувальні підшви, ланцюги, зірочки, пильні шини, захисні кожухи, пилки, абразиви, пильні і абразивні диски, фрези, свердла, бури тощо
- 8.4. На несправності, що виникли в результаті перевантаження інструменту (як механічного, так і електричного), що спричинили вихід з ладу одночасно двох і більше деталей і вузлів, таких як: ротора і статора, обох обмоток статора, веденої і ведучої шестерень редуктора або інших вузлів і деталей. До безумовних ознак перевантаження виробу відносяться, крім інших: поява кольорів мінливості, деформація або оплавлення деталей і вузлів виробу, потемніння або обуглювання ізоляції проводів електродвигуна під впливом високої температури.



Виробник:
"Stanley Black & Decker Deutschland
GmbH" Black-&-Decker Str.40, D-65510
Idstein, Німеччина

