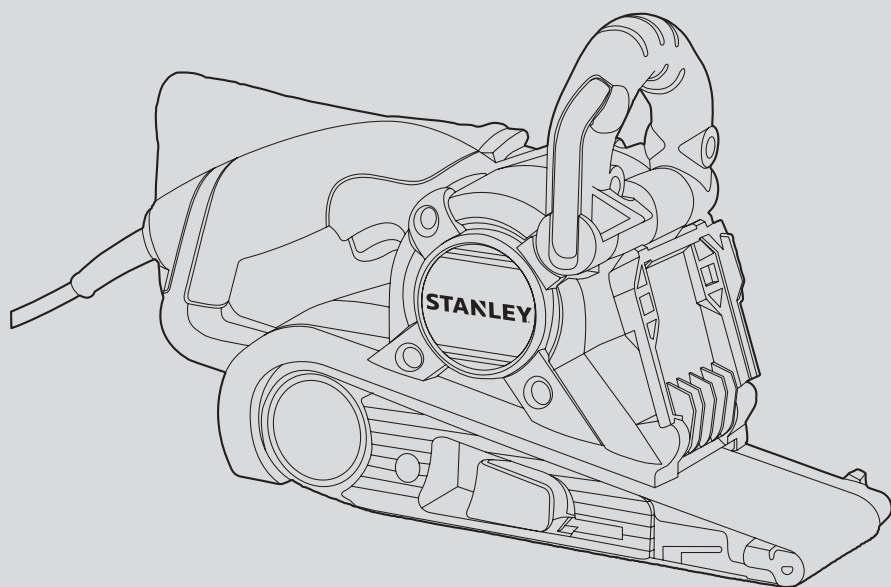
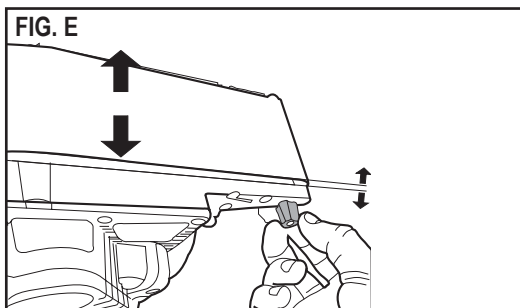
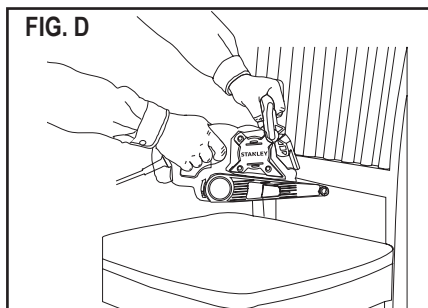
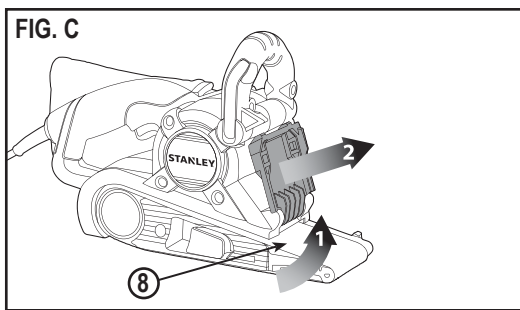
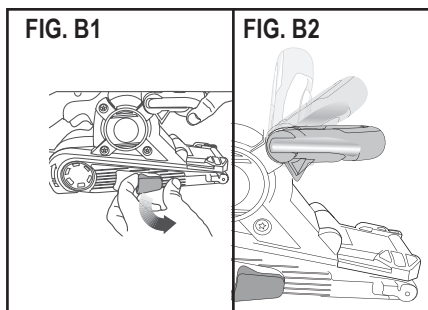
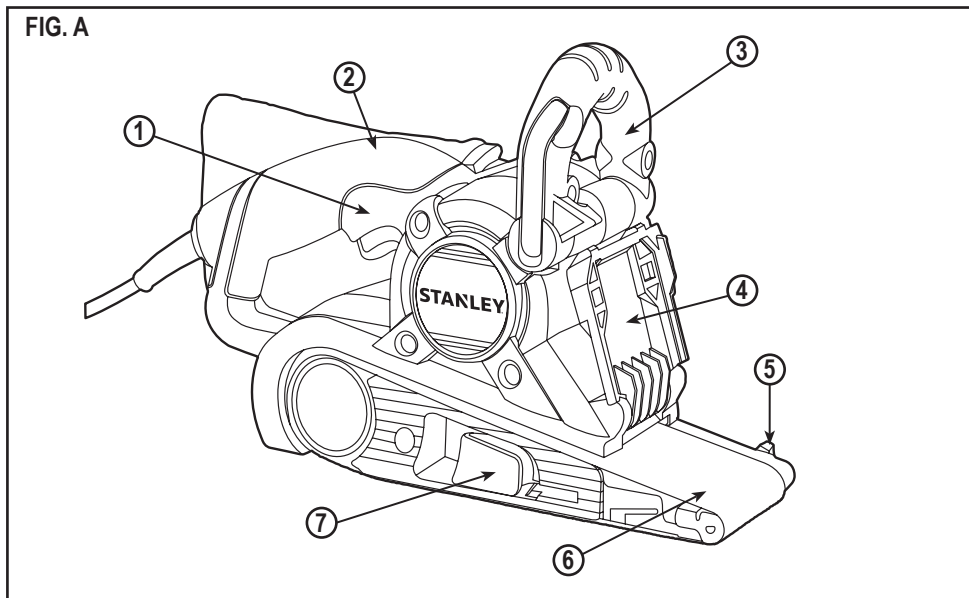


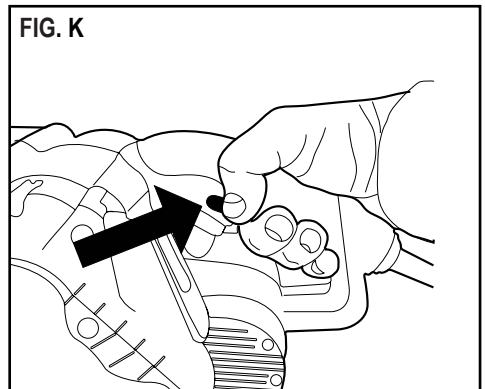
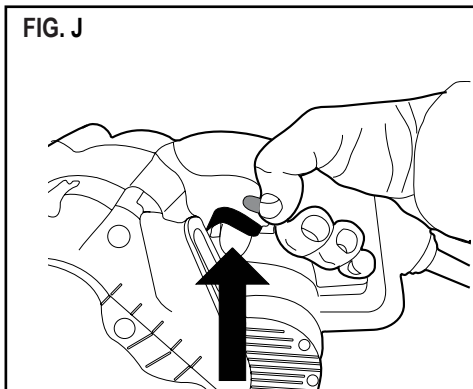
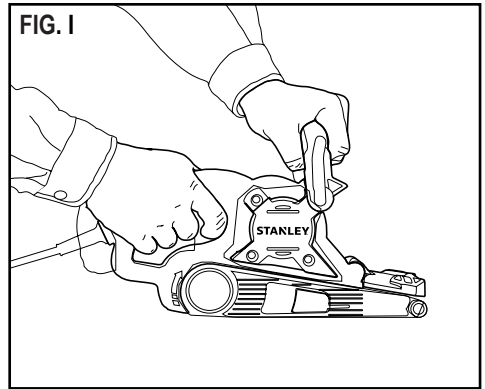
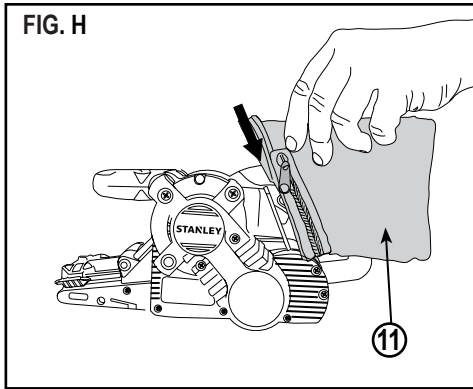
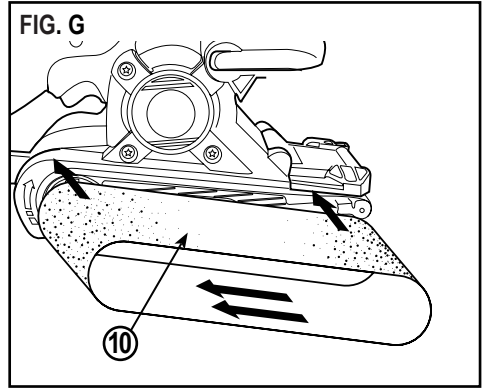
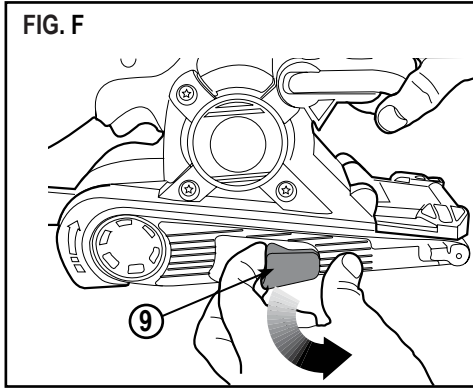
STANLEY



STBS720

English	Page 4
Russian	Page 12
Ukrainian	Page 22
French	Page 32
Portuguese	Page 40
Arabic	Page 52





DO NOT RETURN THIS PRODUCT TO THE STORE,
first contact your local STANLEY Office
or nearest authorized service center.

General Safety Rules



Warning! Read and understand all instructions. Failure to follow all instructions listed below, may result in electric shock, fire and/or serious personal injury.

SAVE THESE INSTRUCTIONS

Safety instructions

General power tool safety warnings



WARNING! Read all safety warnings and all instructions. Failure to follow the warnings and instructions listed below may result in electric shock, fire and/or serious injury.

Save all warnings and instructions for future reference.

The term "power tool" in all of the warnings listed below refers to your mains operated (corded) power tool or battery operated (cordless) power tool.

1. Work area safety

- a. **Keep work area clean and well lit.** Cluttered or dark areas invite accidents.
- b. **Do not operate power tools in explosive atmospheres, such as in the presence of flammable liquids, gases or dust.** Power tools create sparks which may ignite the dust or fumes.
- c. **Keep children and bystanders away while operating a power tool.** Distractions can cause you to lose control.

2. Electrical safety

- a. **Power tool plugs must match the outlet. Never modify the plug in any way. Do not use any adapter plugs with earthed (grounded) power tools.** Unmodified plugs and matching outlets will reduce risk of electric shock.
- b. **Avoid body contact with earthed or grounded surfaces such as pipes, radiators, ranges and refrigerators.** There is an increased risk of electric shock if your body is earthed or grounded.
- c. **Do not expose power tools to rain or wet conditions.** Water entering a power tool will increase the risk of electric shock.

- d. **Do not abuse the cord. Never use the cord for carrying, pulling or unplugging the power tool. Keep cord away from heat, oil, sharp edges or moving parts.** Damaged or entangled cords increase the risk of electric shock.
- e. **When operating a power tool outdoors, use an extension cord suitable for outdoor use.** Use of a cord suitable for outdoor use reduces the risk of electric shock.
- f. **If operating a power tool in a damp location is unavoidable, use a residual current device (RCD) protected supply.** Use of an RCD reduces the risk of electric shock. Note: The term "Residual Current Device (RCD)" can be replaced by "Ground Fault Circuit Interrupter (GFCI)" or by "Earth Leakage Circuit Breaker (ELCB)".

3. Personal safety

- a. **Stay alert, watch what you are doing and use common sense when operating a power tool. Do not use a power tool while you are tired or under the influence of drugs, alcohol or medication.** A moment of inattention while operating power tools may result in serious personal injury.
- b. **Use personal protective equipment. Always wear eye protection.** Protective equipment such as dust mask, non-skid safety shoes, hard hat, or hearing protection used for appropriate conditions will reduce personal injuries.
- c. **Prevent unintentional starting. Ensure the switch is in the off-position before connecting to power source and/or battery pack, picking up or carrying the tool.** Carrying power tools with your finger on the switch or energising power tools that have the switch on invites accidents.
- d. **Remove any adjusting key or wrench before turning the power tool on.** A wrench or a key left attached to a rotating part of the power tool may result in personal injury.
- e. **Do not overreach. Keep proper footing and balance at all times.** This enables better control of the power tool in unexpected situations.
- f. **Dress properly. Do not wear loose clothing or jewellery. Keep your hair, clothing and gloves away from moving parts.** Loose clothes, jewellery or long hair can be caught in moving parts.
- g. **If devices are provided for the connection of dust extraction and collection facilities, ensure these are connected and properly used.** Use of dust collection can reduce dust-related hazards.

4. Power tool use and care

- a. **Do not force the power tool. Use the correct power tool for your application.** The correct power tool will do the job better and safer at the rate for which it was designed.
 - b. **Do not use the power tool if the switch does not turn it on and off.** Any power tool that cannot be controlled with the switch is dangerous and must be repaired.
 - c. **Disconnect the plug from the power source and/or the battery pack from the power tool before making any adjustments, changing accessories, or storing power tools.** Such preventive safety measures reduce the risk of starting the power tool accidentally.
 - d. **Store idle power tools out of the reach of children and do not allow persons unfamiliar with the power tool or these instructions to operate the power tool.** Power tools are dangerous in the hands of untrained users.
 - e. **Maintain power tools. Check for misalignment or binding of moving parts, breakage of parts and any other condition that may affect the power tools operation. If damaged, have the power tool repaired before use.** Many accidents are caused by poorly maintained power tools.
 - f. **Keep cutting tools sharp and clean.** Properly maintained cutting tools with sharp cutting edges are less likely to bind and are easier to control.
- #### 5. Service
- a. **Have your power tool serviced by a qualified repair person using only identical replacement parts.** This will ensure that the safety of the power tool is maintained.
 - **Hold power tool by insulated gripping surfaces when performing an operation where the cutting accessory may contact hidden wiring or its own cord.** Cutting accessory contacting a "live" wire may make exposed metal parts of the power tool "live" and could give the operator an electric shock.
 - **Use clamps or another practical way to secure and support the workpiece to a stable platform.** Holding the work by hand or against your body leaves it unstable and may lead to loss of control.



Warning! Take special care when sanding some woods (e.g. beech, oak) and metal which may produce toxic dust. Wear a dust mask specifically designed for protection against toxic dust and fumes and ensure that persons within or entering the work area are also protected.

Additional Safety Instructions For Sanders

Sanding

Lead Base Paint

Sanding of lead based paint is NOT RECOMMENDED due to the difficulty of controlling the contaminated dust. The greatest danger of lead poisoning is to children and pregnant women. Since it is difficult to identify whether or not a paint contains lead without a chemical analysis, we recommend the following precautions when sanding any paint:

Personal Safety

- No children or pregnant women should enter the work area where the paint sanding is being done until all clean up is completed.
- A dust mask or respirator should be worn by all persons entering the work area. The filter should be replaced daily or whenever the wearer has difficulty breathing.

Note: Only those dust masks suitable for working with lead paint dust and fumes should be used. Ordinary painting masks do not offer this protection. See your local hardware dealer for the proper (NIOSH approved) mask.

- **NO EATING, DRINKING or SMOKING** should be done in the work area to prevent ingesting contaminated paint particles. Workers should wash and clean up **BEFORE** eating, drinking or smoking. Articles of food, drink, or smoking should not be left in the work area where dust would settle on them.

Environmental Safety

- Paint should be removed in such a manner as to minimize the amount of dust generated.
- Areas where paint removal is occurring should be sealed with plastic sheeting of 4 mils thickness.
- Sanding should be done in a manner to reduce tracking of paint dust outside the work area.

Cleaning And Disposal

- All surfaces in the work area should be vacuumed and thoroughly cleaned daily for the duration of the sanding project. Vacuum filter bags should be changed frequently.
- Plastic drop cloths should be gathered up and disposed of along with any dust chips or other removal debris. They should be placed in sealed refuse receptacles and disposed of through regular trash pick-up procedures. During clean up, children and pregnant women should be kept away from the immediate work area.
- All toys, washable furniture and utensils used by children should be washed thoroughly before being used again.

Motor

Be sure your power supply agrees with nameplate marking. This information is printed on the nameplate. Lower voltage will cause loss of power and can result in over-heating. All STANLEY tools are factory-tested; if this tool does not operate, check the power supply.

Use Of Extension Cords

Make sure the extension cord is in good condition before using. Always use the proper size extension cords with the tool – that is, proper wire size for various lengths of cord and heavy enough to carry the current the tool will draw. Use of an undersized cord will cause a drop in line voltage resulting in loss of power and overheating.

Specific Safety Rules

- **Avoid prolonged contact with dust from power sanding, sawing, grinding, drilling, and other construction activities. Wear protective clothing and wash exposed areas with soap and water.** Allowing dust to get into your mouth, eyes, or lay on the skin may promote absorption of harmful chemicals.



Warning! Use of this tool can generate and/or disburse dust, which may cause serious and permanent respiratory or other injury. Always use NIOSH/OSHA approved respiratory protection appropriate for the dust exposure. Direct particles away from face and body.



Caution! Wear appropriate hearing protection during use. Under some conditions and duration of use, noise from this product may contribute to hearing loss.



Warning!

- Always wear eye and respiratory protection.
- Clean your tool out periodically.

Safety of others

- This appliance is not intended for use by persons (including children) with reduced physical, sensory or mental capabilities, or lack of experience and knowledge, unless they have been given supervision or instruction concerning use of the appliance by a person responsible for their safety.
- Children should be supervised to ensure that they do not play with the appliance.

Residual risks.

Additional residual risks may arise when using the tool which may not be included in the enclosed safety warnings. These risks can arise from misuse, prolonged use etc. Even with the application of the relevant safety regulations and the implementation of safety devices, certain residual risks can not be avoided. These include:

- Injuries caused by touching any rotating/moving parts.
- Injuries caused when changing any parts, blades or accessories.
- Injuries caused by prolonged use of a tool. When using any tool for prolonged periods ensure you take regular breaks.
- Impairment of hearing.
- Health hazards caused by breathing dust developed when using your tool (example:- working with wood, especially oak, beech and MDF.)

Vibration

The declared vibration emission values stated in the technical data and the declaration of conformity have been measured in accordance with a standard test method provided by EN 60745 and may be used for comparing one tool with another. The declared vibration emission value may also be used in a preliminary assessment of exposure.

Warning! The vibration emission value during actual use of the power tool can differ from the declared value depending on the ways in which the tool is used. The vibration level may increase above the level stated.

When assessing vibration exposure to determine safety measures required by 2002/44/EC to protect persons regularly using power tools in employment, an estimation of vibration exposure should consider, the actual conditions of use and the way the tool is used, including taking account of all parts of the operating cycle such as the times when the tool is switched off and when it is running idle in addition to the trigger time.

Labels on tool

The label on your tool may include the following symbols:



Read Instructions Manual



Use Eye Protection



Use Ear Protection

Hz Hertz

W Watts

min minutes

~ Alternating Current

— Direct Current

V Volts

A Amperes



Class II Construction



Earthing Terminal



Safety Alert Symbol



Revolutions or Reciprocation per minute

n₀ No-Load Speed

Position of date barcode

The Date Code, which also includes the year of manufacture, is printed into the housing.

Example:

2014 XX JN
Year of manufacturing

Electrical safety



Your tool is double insulated; therefore no earth wire is required. Always check that the main voltage corresponds to the voltage on the rating plate.



Warning! If the power cord is damaged, it must be replaced by the manufacturer, authorized STANLEY Service Center or an equally qualified person in order to avoid damage or injury. If the power cord is replaced by an equally qualified person, but not authorized by STANLEY, the warranty will not be valid.

Características (FIG. A)

1. Lock on switch for continuous use
2. Dust extraction duck
3. Way adjustable handle
4. Aluminum cover
5. Belt tracking adjustment knob
6. Sanding belt
7. Single action belt release lever

Adjustments



Warning! To prevent accidental operation, turn off and unplug sander before performing the following operations. Failure to do this could result in serious personal injury.

3 Position handle (FIG. B1 and B2)

A locking mechanism on the side of the handle can be loosened to allow the handle to move. To adjust the handle, pull out on the locking arm (FIG. B1) and move the handle to the desired position (FIG. B2). Once the handle is in position, push the locking arm in to lock the handle into position.

2 Position belt cover (FIG. C and D)

The belt sander has an aluminum sanding belt cover at the front. When the handle is positioned in the uppermost position, this cover can be raised as shown in FIG. C (Arrow 1) and locked in this position to:

- a. Improve accessibility to narrow areas.
- b. Allow the use of the smaller diameter front roller to sand with (normally the aluminum cover prevents this when in the "down" position).
- c. Expose the top part of the belt for more versatile sanding (FIG. D).

To lower the belt cover, grasp the flange on the side and move it slightly in the direction shown in FIG. C (Arrow 2) and return it to its closed position.

Note: The sanding belt cover cannot be locked in its raised position unless the bail handle is in the uppermost position.



Warning! The sanding belt is exposed when the belt cover is raised. Use extra caution when operating in this mode.

Adjusting the sanding belt tracking (FIG. E)

Turn the machine upside down (FIG. E), hold it firmly with one hand, start motor and release switch immediately after observing tracking of sanding belt. If abrasive belt runs outward, turn tracking adjustment knob clockwise and counterclockwise if belt runs inward. Belt life will be greatly increased by keeping the tracking adjustment set properly (FIG. E).

Changing the sanding belt (FIG. F and G)

Warning! To prevent accidental operation, turn off and unplug sander before changing the sanding belt. Pull the lever shown in FIG. 5 to release the tension on the sanding belt. Pull the sanding belt from the two rollers. Put the new 3" x 21" (76 x 533mm) sanding belt in position on the front and rear rollers (FIG. 6). Ensure that the arrows on the sanding belt and on your belt sander are pointing in the same direction. Push the lever to the rear to tension the sanding belt.

Dust collection (FIG. H)



Warning! To prevent accidental operation, turn off and unplug sander before installing the dust bag.

When using your belt sander, dust and grit are produced. It is important to use a dust bag. Connect the dust bag by sliding the plastic opening of the bag down over the dust exhaust port of the sander as shown in FIG. 7. To empty the dust bag, remove it from the sander and unzip the bag over a trash container.



Warning! Fire hazard. Collected sanding dust from sanding surface coatings (polyurethane, linseed oil, etc.) can self-ignite in sander dust bag or elsewhere and cause fire. To reduce risk, empty bag frequently and strictly follow sander manual and coating manufacturer's instructions.



Warning! Fire hazard. When working on metal surfaces, do not use the dust bag or a vacuum cleaner because sparks are generated. Wear safety glasses and a dust mask. Due to the danger of fire, do not use your belt sander to sand magnesium surfaces. Do not use for wet sanding.

Operation

Using your belt sander (FIG. I)

Always hold belt sander firmly with both hands while sanding as shown in FIG. I.

Note: that sander bail handle can be adjusted to three different positions as previously discussed.

Switch (FIG. J and K)

To start your belt sander, depress the on/off switch as shown in FIG. J. To stop your belt sander release the on/off switch.

For continuous operation, depress the on/off switch then depress the lock-on button (FIG. K) and release the on/off switch. To stop your belt sander, depress the on/off switch to release the lock-on button. Release the on/off switch.

Handy Hints

- Always start your belt sander before it is in contact with the workpiece and do not switch it off until after it has been lifted from the workpiece.
- Always hold your belt sander with two hands.
- Where possible, clamp the workpiece to a work bench or similar sturdy surface.
- Use the correct grit sanding belt for your application.
The following is a suggested list of belt grits to use with different materials.

Material	Belt Grit
Solid Wood	80
Veneer	150
Chipboard	60/80
Plastics	100
Steel	80 (remove dust bag)
Paint Removal	40/60
Balsa Wood	100
Acrylic	100

Tool Care And Maintenance

Your tool has been designed to operate over a long period of time with a minimum of maintenance. Continuous satisfactory operation depends upon proper tool care and regular cleaning.

Never apply excessive force when you use your belt sander. Too much force can result in an overload and cause damage to the motor or the workpiece. If your belt sander becomes too hot, operate it without load for 2 minutes. Always keep the air cooling vents clear. To clean your belt sander, proceed as follows:



Warning! To prevent accidental operation, turn off and unplug sander before performing the following operations. Failure to do this could result in serious personal injury.

- Use a clean dry paint brush to clear vents and ducts.
- Clean the housings using a clean damp cloth (do not use solvents, gas or turpentine.)



Important! To assure product SAFETY and RELIABILITY, repairs, maintenance and adjustment should be performed by authorized service centers or other qualified service personnel, always using identical replacement parts.

Accessories

The performance of your tool depends on the accessory used. STANLEY accessories are engineered to high quality standards and designed to enhance the performance of your tool. By using these accessories you will get the very best from your tool.

Use only 3" x 21" (76 x 533mm) sanding belts. Recommended accessories for use with your tool are available at extra cost from your local dealer or authorized service center.

Notes

- STANLEY's policy is one of continuous improvement to our products and, as such, we reserve the right to change product specifications without prior notice.
- Standard equipment and accessories may vary by country.
- Product specifications may differ by country.
- Complete product range may not be available in all countries.
- Contact your local STANLEY dealers for range availability.

Protecting the environment



Separate collection. This product must not be disposed of with normal household waste.

Should you find one day that your STANLEY product needs replacement, or if it is of no further use to you, do not dispose of it with household waste. Make this product available for separate collection.



Separate collection of used products and packaging allows materials to be recycled and used again.

Re-use of recycled materials helps prevent environmental pollution and reduces the demand for raw materials.

Local regulations may provide for separate collection of electrical products from the household, at municipal waste sites or by the retailer when you purchase a new product. STANLEY provides a facility for the collection and recycling of STANLEY products once they have reached the end of their working life. To take advantage of this service please return your product to any authorised repair agent who will collect them on our behalf.

You can check the location of your nearest authorised repair agent by contacting your local STANLEY office at the address indicated in this manual. Alternatively, a list of authorised STANLEY repair agents and full details of our after-sales service and contacts are available on the Internet at: www.2helpU.com

Specifications

	STBS720
Power	720W
Voltage	220-240V
Frequency	50/60Hz
No-Load Speed	800/min

Service Information

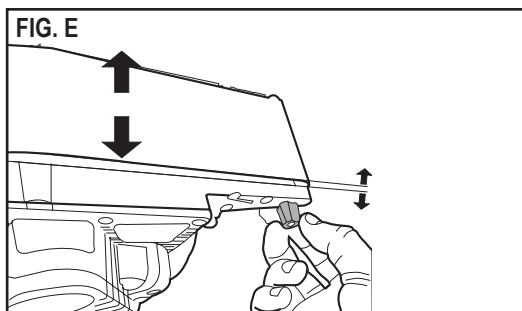
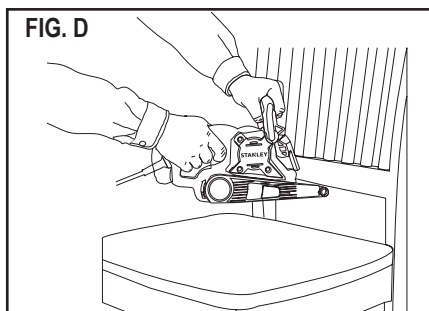
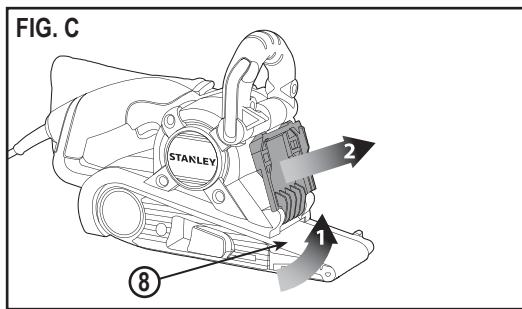
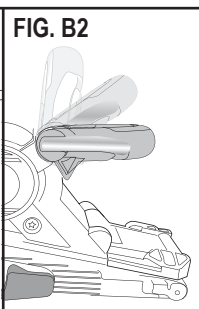
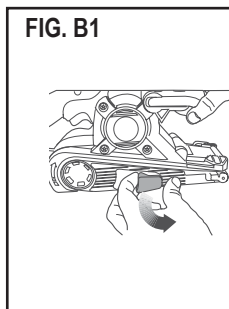
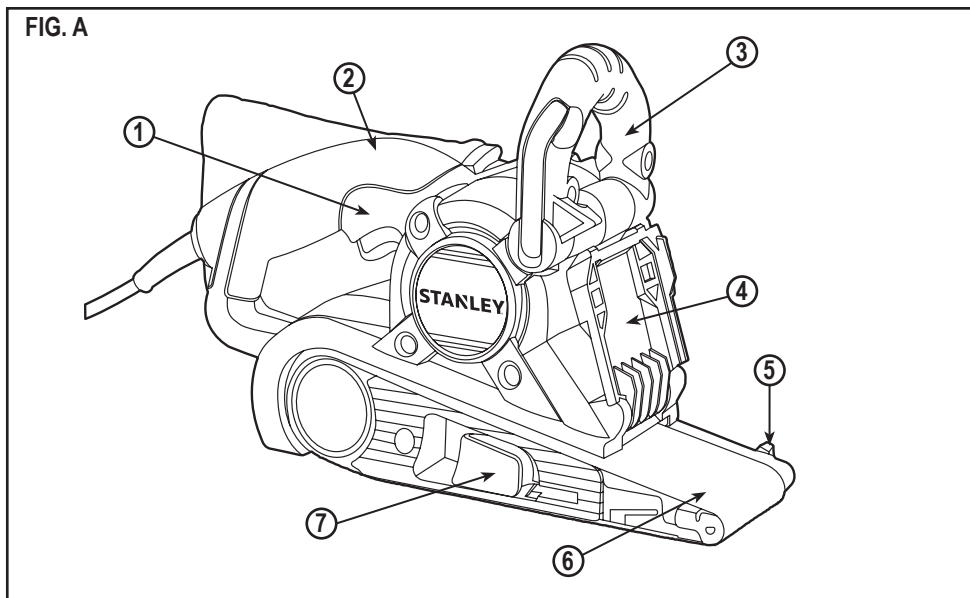
STANLEY offers a full network of authorized service locations. All STANLEY Service Centers are staffed with trained personnel to provide customers with efficient and reliable power tool service. For more information about our authorized service centers and if you need technical advice, repair, or genuine factory replacement parts, contact the STANLEY location nearest you.

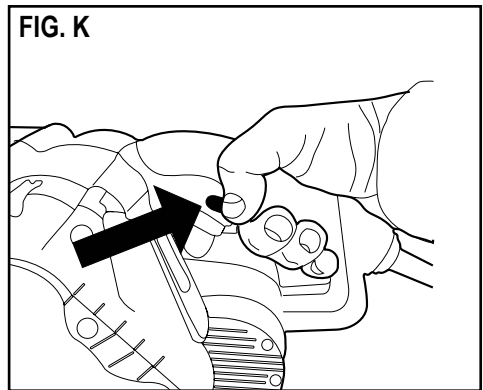
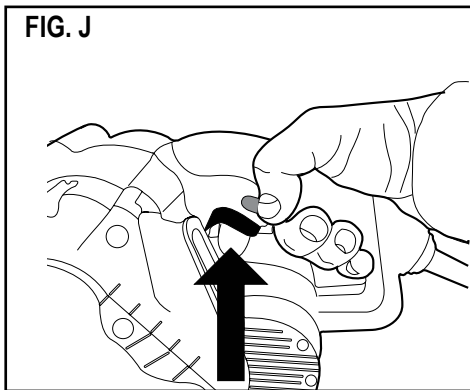
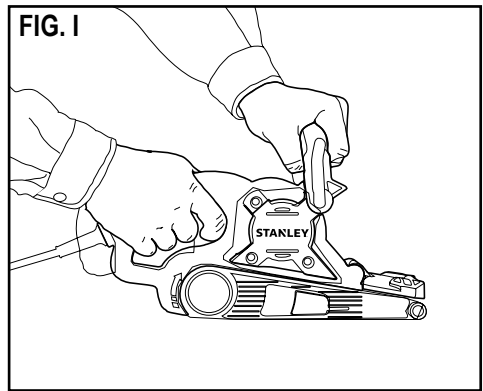
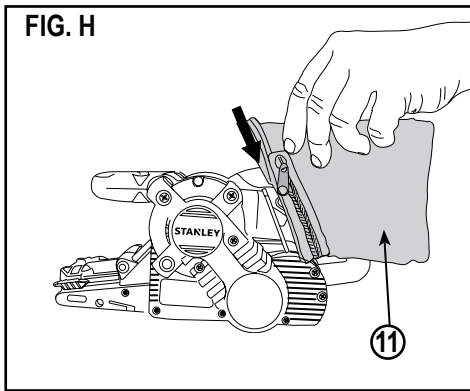
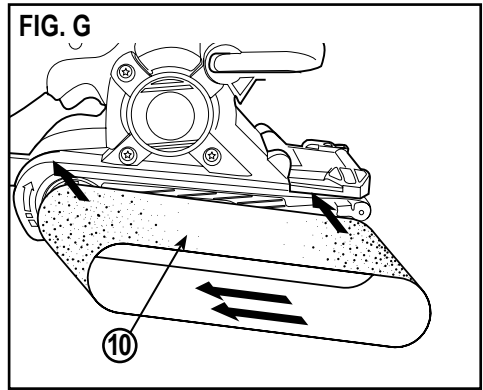
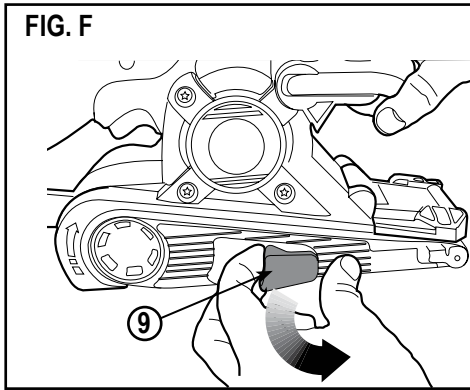
Two years full warranty

If your STANLEY product becomes defective due to faulty materials or workmanship within 24 months from the date of purchase, STANLEY guarantees to replace all defective parts free of charge or – at our discretion – replace the unit free of charge provided that:

- The product has not been misused and has been used in accordance with the instruction manual.
- The product has been subject to fair wear and tear;
- Repairs have not been attempted by unauthorised persons;
- Proof of purchase is produced.
- The STANLEY product is returned complete with all original components

If you wish to make a claim, contact your seller or check the location of your nearest authorised STANLEY repair agent in the STANLEY catalogue or contact your local STANLEY office at the address indicated in this manual. A list of authorised STANLEY repair agents and full details of our after sales service is available on the internet at:www.stanleytools.com





НЕ ВОЗВРАЩАЙТЕ ЭТО ИЗДЕЛИЕ В МАГАЗИН, сначала обратитесь в местный офис STANLEY или в ближайший авторизованный сервисный центр.

Общие правила безопасности



Предостережение! Ознакомьтесь со всеми инструкциями. Несоблюдение инструкций, указанных ниже, может привести к поражению электрическим током, пожару и/или серьезной травме.

СОХРАНИТЕ ЭТИ ИНСТРУКЦИИ

Правила техники безопасности

Общие предупреждения по технике безопасности электроинструментов



Внимание! Ознакомьтесь со всеми правилами безопасности и инструкциями. Несоблюдение предупреждений и инструкций, указанных ниже, может привести к поражению электрическим током, пожару и/или серьезной травме.

Сохраните все предупреждения и инструкции для будущего использования.

Термин "электроинструмент" во всех предупреждениях, указанных ниже, относится к вашему сетевому (с кабелем) электроинструменту или аккумуляторному электроинструменту (без кабеля питания).

1. Безопасность рабочего места

- a. **Содержите рабочее место в чистоте и хорошо освещенным.** Беспорядок на рабочем месте или отсутствие освещения рабочего места может привести к аварии.
- b. **Не работайте с электроинструментом в месте хранения взрывоопасных материалов, например, в присутствии огнеопасных жидкостей, газов или пыли.** Электрические инструменты создают искры, которые могут воспламенить пыль или пары.
- c. **Дети и посторонние лица должны находиться как можно дальше во время работы с электроинструментом.** Вы можете отвлечься и потерять контроль.

2. Электробезопасность

- a. **Вилка электроинструмента должна соответствовать розетке. Никогда не модифицируйте вилку каким-либо образом. Не используйте никакие вилки-переходники с заземленными (замкнутыми на землю) электроинструментами.** Вилки и розетки, которые не подвергались никаким изменениям снижают риск поражения электрическим током.
- b. **Избегайте контакта тела с заземленными поверхностями, такими как трубы, радиаторы,**

плиты и холодильники. Существует повышенный риск поражения электрическим током, если ваше тело заземлено.

- c. **Избегайте любого воздействия дождя или влаги на электроинструменты.** Вода, попавшая в электроинструмент, увеличивает риск поражения электрическим током.
 - d. **Аккуратно обращайтесь со шнуром питания. Никогда не используйте шнур питания для переноски, перемещения или извлечения вилки из розетки. Держите шнур вдали от источников тепла, масла, острых краев или движущихся частей.** Поврежденные или запутанные шнуры увеличивают риск поражения электрическим током.
 - e. **При работе с электроинструментом на улице, используйте удлинитель, подходящий для наружного использования.** Использование кабеля, пригодного для использования на открытом воздухе, снижает риск поражения электрическим током.
 - f. **При необходимости работы с электроинструментом во влажной среде, используйте устройство защитного отключения (УЗО).** Использование УЗО снижает риск поражения электрическим током. Примечание: определение "Устройство защитного отключения (RCD)" может быть заменено на "Прерыватель схемы замыкания на землю (GFCI)" или "Автоматический выключатель утечки на землю (ELCB)".
- #### 3. Личная безопасность
- a. **Будьте внимательны, смотрите, что вы делаете, используйте здравый смысл при работе с электроинструментом. Не используйте электроинструмент, если вы устали или находитесь под влиянием наркотиков, алкоголя или лекарств.** Малейшая неосторожность при работе с электроинструментом может привести к серьезным травмам.
 - b. **Используйте средства индивидуальной защиты. Всегда надевайте защитные очки. Другое защитное оборудование, включая респиратор, ботинки на нескользящей подошве, защитный шлем или средства защиты органов слуха, используемые в надлежащих условиях, уменьшают риск получения травмы.**
 - c. **Для предотвращения случайного запуска, убедитесь, что переключатель находится в выключенном положении перед подключением к источнику питания и/или аккумуляторной батарее, поднятия или переноски инструмента.** Не переносите электроинструмент с пальцем на выключателе и не включайте питание на инструмент с выключенным выключателем, что может привести к несчастному случаю.

d. **Перед включением электроинструмента снимайте регулировочный или гаечный ключ.** Гаечный или регулировочный ключ, оставленный на вращающейся части электроинструмента, может привести к травме.

e. **Не тянитесь.** Сохраняйте правильную стойку и баланс все время. Это позволяет лучше контролировать инструмент в неожиданных ситуациях.

f. **Одевайтесь правильно.** Не надевайте свободную одежду или украшения. Держите волосы, одежду и перчатки вдали от движущихся частей. Свободная одежда, украшения или длинные волосы могут попасть в движущиеся части.

g. **Если имеются устройства для подключения пылесборника или вытяжки, убедитесь в том, что они подсоединены и используются правильно.** Использование пылесборника снижает вероятность возникновения рисков, связанных с пылью.

4. Использование и уход за электроинструментом

a. **Не перегружайте электроинструмент.** Используйте подходящий электрический инструмент для соответствующего применения. Правильно подобранный электроинструмент позволит выполнить работу лучше и безопаснее при скорости, для которой он был разработан.

b. **Не используйте электроинструмент, если переключатель не может его включить и выключить.** Любой электроинструмент, который нельзя контролировать с помощью переключателя, опасен и должен быть отремонтирован.

c. **Отключите кабель питания от источника питания и/или аккумуляторный блок от электрического инструмента перед выполнением любых регулировок, замены принадлежностей или при хранении электроинструмента.** Такие профилактические меры безопасности уменьшают риск непреднамеренного запуска электрического инструмента.

d. **Храните неиспользуемые электроинструменты в недоступном для детей месте и не позволяйте лицам, не знакомым с электроинструментом или данными инструкциями, работать с электроинструментом.** Электроинструменты опасны в руках неопытных пользователей.

e. **Поддержание электроинструмента.** Проверяйте разрегулированность или соединения подвижных частей, поломки частей и любые другие условия, которые могут повлиять на работу электроинструмента. При наличии

повреждения, отремонтируйте электроинструмент перед использованием. Многие несчастные случаи являются следствием плохого ухода за электроинструментом.

f. **Держите режущий инструмент острым и чистым.** Хорошо ухоженный режущий инструмент с острыми режущими кромками легче контролировать.

5. Обслуживание

a. **Обеспечьте, чтобы обслуживание и ремонт вашего электроинструмента проводился в авторизованном сервисном центре по ремонту с использованием только оригинальных запасных частей.** Это станет гарантией безопасности электроинструмента.

- **Держите инструмент за изолированные поверхности во время работы, при которой режущий инструмент может задеть скрытую проводку или собственный кабель.** При контакте режущего аксессуара с «работающим» проводом или открытыми металлическими частями электроинструмента оператора может ударить электрическим током.

- **Используйте тиски или другое подходящее приспособление для обеспечения и поддержания обрабатываемого изделия на устойчивой платформе.** Проведение работы по направлению руки или против вашего тела, лишает устойчивости и может привести к потере контроля.



Внимание! Соблюдайте особую осторожность при шлифовании некоторых сортов дерева (например, бук, дуб) и металла, поскольку в процессе работы может образовываться токсичная пыль. Надевайте респиратор, специально разработанный для защиты от токсичной пыли и паров, и следите, чтобы лица, находящиеся в рабочей зоне, также были защищены.

Дополнительные меры безопасности для шлифовального станка

Шлифовка

Краски на основе свинца

Шлифование поверхностей, покрытых краской на основе свинца не рекомендуется из-за сложности контроля за пылью. Дети и беременные женщины подвержены наибольшей опасности отравления свинцом. Так как сложно определить без химического анализа содержит ли краска свинец или нет, мы рекомендуем при шлифовании покрашенных поверхностей принимать следующие меры предосторожности:

Личная безопасность

- Дети и беременные женщины не должны входить в рабочую зону, где производится шлифовка окрашенных поверхностей, до тех пор, пока в них не произведена полная уборка.
- Все сотрудники, входящие в рабочую зону, должны носить маску или респиратор. Фильтр необходимо заменять ежедневно или всякий раз, когда вы чувствуете затруднение дыхания.

Примечание: Необходимо использовать только те респираторы, которые подходят для защиты от пыли от свинцовых красок. Обычные маски не обеспечивают необходимую защиту. Обратитесь к местному дилеру для покупки соответствующей маски, утвержденной NIOSH.

- **ЗАПРЕЩЕНО ПРИНИМАТЬ ПИЩУ, ПИТЬ и КУРИТЬ** в рабочей зоне, чтобы предотвратить заглатывание частиц краски. Рабочие должны вымыться перед едой, питьем или курением. Продукты питания, напитки и сигареты не следует оставлять в рабочей зоне, поскольку на них может оседать пыль.

Экологическая безопасность

- Краска должна быть удалена таким образом, чтобы свести к минимуму количество образующейся пыли.
- Места, в которых производится удаление краски, должны быть изолированы/закрыты пластиковой пленкой толщиной 4 мл.
- Шлифование должно производиться таким образом, чтобы уменьшить распространение пыли от краски за пределами рабочей зоны.]]

Очистка и обезвреживание

- Все поверхности в рабочей зоне должны ежедневно очищаться при помощи пылесоса и тщательно убираться в течение всего времени осуществления работ, связанных со шлифованием. Мешки для мусора для пылесоса должны меняться как можно чаще.
- Пластиковые пакеты со спецодеждой должны собираться и утилизироваться вместе со всеми остатками пыли или другим мусором. Их необходимо помещать в герметично закрытые контейнеры и утилизировать в процессе регулярного вывоза мусора. Во время уборки дети и беременные женщины должны находиться в стороне от рабочей зоны.
- Все игрушки, моющаяся мебель и посуда, используемые детьми, должны быть тщательно вымыты перед повторным использованием.

Двигатель

Убедитесь, что параметры электропитания совпадают с маркировкой на заводской табличке. Эта информация печатается на табличке. Более низкое напряжение может привести к потере питания или перегреву. Все инструменты STANLEY прошли тестирование на заводе-изготовителе, если этот инструмент не работает, проверьте источник питания.

Использование удлинителей

Убедитесь, что удлинитель находится в хорошем состоянии перед использованием. Всегда используйте соответствующие удлинители с данным инструментом - то есть, удлинители с правильным размером провода для кабеля различной длины и достаточно тяжелые, чтобы подавать инструменту нужное питание. Использование провода меньшей длины может вызвать падение сетевого напряжения и приведет к потере мощности и перегреву.

Особые правила по технике безопасности

- **Избегайте длительного контакта с пылью от источника шлифования, пиления, сверления и других строительных работ. Надевайте защитную одежду и вымывайте открытые участки тела водой с мылом.** Попадание пыли в рот, глаза или на кожу может стать причиной отравления вредными химическими веществами.



Предостережение! При использовании этого инструмента может образовываться и/или распространяться пыль, которая может привести к серьезной и постоянной травме дыхательных путей или другим травмам. Всегда используйте соответствующие средства защиты органов дыхания от воздействия пыли, одобренные NIOSH/OSHA. Защитите лицо и тело от прямого попадания частиц.



Внимание! Надевайте соответствующие средства защиты органов слуха во время работы. При некоторых условиях и продолжительности использования, шум от этого продукта может способствовать потере слуха.



Внимание!

- Всегда надевайте средства защиты глаз и органов дыхания.
- Периодически очищайте инструмент.

Безопасность посторонних лиц

- Этот инструмент не предназначен для использования лицами (включая детей) с инструментом.

ограниченными физическими, чувствительными или умственными способностями или с недостатком опыта или знаний, если они не были под контролем и руководством лица, контролирующего использование инструмента или ответственным за их безопасность.

- Дети должны быть под присмотром взрослых, чтобы не допустить никаких игр с инс

Остаточные риски

Дополнительные остаточные риски могут возникнуть при использовании инструмента, которые не включены в описанные здесь правила техники безопасности. Эти риски могут возникнуть при неправильном или продолжительном использовании изделия и т.п. Несмотря на соблюдение соответствующих правил техники безопасности и использование предохранительных устройств, некоторых остаточных рисков невозможно избежать. Они включают в себя:

- Травмы в результате касания вращающихся/движущихся частей.
- Риск получения травмы во время смены деталей инструмента, ножей или насадок
- Травмы, вызванные продолжительным использованием инструмента. При использовании инструмента в течение продолжительного периода времени делайте регулярные перерывы в работе.
- Плохой слух.
- Ущерб здоровью в результате вдыхания пыли при использовании инструмента (пример: работа с деревом, в особенности, древесиной дуба, бука и древесноволокнистой плитой средней плотности).

Vibration





The declared vibration emission values stated in the technical data and the declaration of conformity have been measured in accordance with a standard test method provided by EN 60745 and may be used for comparing one tool with another. The declared vibration emission value may also be used in a preliminary assessment of exposure.

Warning! The vibration emission, including actual use of the tool, can differ from the declared value depending on the way in which the tool is used. The vibration level may increase above the level stated.

When assessing vibration exposure to determine safety measures required by 2002/44/EC to protect persons regularly using power tools in employment, an estimation of vibration exposure should consider, the actual conditions of use and the way the tool is used, including taking account of all parts of the operating cycle such as the times when the tool is switched off and when it is running idle in addition to the trigger time.

Этикетки на инструменте

Этикетка на вашем инструменте может включать следующие символы:

	Читайте инструкции по эксплуатации	Гц Герц	 Конструкция класса II
	Используйте средства защиты глаз	Вт Ватт	 Терминал заземления
	Используйте средства защиты органов слуха	мин..... минуты	 Переменный ток
			 Символ предупреждения об опасности
		----- Постоянный ток	 обороты или возвратное поступательное движение в минуту
V Вольт		n ₀ Скорость без нагрузки		
A Ампер				

Положение даты штрих-кода

Дата кода, который также включает год изготовления, печатается на корпусе.

Пример:

2014 XX JN
Год изготовления

Электрическая безопасность



Этот инструмент защищен двойной изоляцией, поэтому заземляющий провод не требуется. Всегда проверяйте, чтобы напряжение сети соответствовало напряжению, указанному на заводской табличке.

Предостережение! Если шнур питания поврежден, он должен быть заменен производителем или уполномоченным сервисным центром STANLEY для того, чтобы избежать опасности.

Характеристики (PIS. A)

1. Замок на переключатель для непрерывного использования
2. Утка для удаления пыли
3. Регулируемая ручка
4. Алюминиевая крышка
5. Ручка регулировки ленты конвейера
6. Шлифовальная лента
7. Рычаг фиксатора ленты одинарного действия

Регулировка

Внимание! Для предотвращения случайного нажатия, выключите и отсоедините шлифовальный станок от сети перед выполнением следующих операций. Несоблюдение этого требования может привести к серьезным травмам.

Рукоятка с 3 положениями (рис. В1 и В2)

Запирающий механизм на стороне ручки может быть ослаблен, чтобы ручка могла перемещаться. Чтобы отрегулировать ручку, надавите на фиксатор (рис. В1) и переместите ручку в нужное положение (рис. В2). После того, как ручка встала в нужное положение, нажмите на фиксирующий рычаг и зафиксируйте ручку в нужное положение.

Кожух ремня с 2 положениями (рис. С и D)

Шлифовальный станок имеет алюминиевую крышку шлифовальной ленты спереди. Когда ручка расположена в самом верхнем положении, это крышка может быть поднята, как показано на рис. С (стрелка 1) и блокируется в этом положении:

- Улучшает доступность к узким зонам.
- Позволяет использование переднего ролика меньшего диаметра для шлифовки (обычно алюминиевая крышка предотвращает это, когда в положении «вниз»).
- Откройте верхнюю часть ремня для более разносторонней шлифовки (рис. D).

Чтобы опустить крышку ремня, необходимо понять фланец на стороне и переместить его немного в направлении, показанном на рис. С (стрелка 2) и закрыть его.

Примечание: кожух шлифовальной ленты не может быть заблокирован в поднятом положении, если только ручка не находится в поднятом положении.



Внимание! Шлифовальная лента открывается, когда поднимается кожух. Будьте особенно осторожны при работе в этом режиме.

Регулировка движения шлифовальной ленты (рис. E)

Переверните машину снизу вверх (рис. E), крепко держите ее одной рукой, заведите мотор и отпустите переключатель после того, как вы проверили направление движения шлифовальной ленты. Если абразивная лента движется наружу, поверните ручку регулировки движения по часовой стрелке и против часовой стрелки, если лента движется внутрь. Срок службы ленты будет значительно увеличен, если направление движения установлено правильно (рис. E).

Смена шлифовальной ленты (рис. F и G)

Предостережение! Для предотвращения случайного нажатия, выключите и отсоедините шлифовальный станок перед сменой шлифовальной ленты. Потяните рычаг, показанный на рис. 5, чтобы ослабить натяжение на шлифовальную ленту. Снимите шлифовальную ленту с двух роликов. Поставьте новую шлифовальную ленту

3" x 21" (76 x 533 мм) в нужное положение на передних и задних роликах (рис. 6). Убедитесь, что стрелки на шлифовальной ленте и ремне шлифовального станка указывают в одном и том же направлении. Нажмите на рычаг сзади, чтобы затянуть шлифовальную ленту.

Пылесборник (фиг. H)



Предостережение! Для предотвращения случайного нажатия, выключите и отсоедините шлифовальный станок перед установкой мешка для сбора пыли.

При использовании шлифовального станка, образуется пыль и песок. Необходимо использовать пылесборник. Для подсоединения пылесборника, сдвиньте пластиковое отверстие мешка вниз к выпускному отверстию для пыли шлифовального станка как показано на рис. 7. Чтобы очистить пылесборник, снимите его со шлифовального станка и растегните мешок над мусорным контейнером.



Предостережение! Опасность пожара. Собранная пыль от шлифования поверхностей, покрытых полиуретаном, льняным маслом и т.д. может загореться в мешке для сбора шлифовальной пыли или в другом месте и вызвать пожар. Чтобы уменьшить риск, как можно чаще освобождайте мешок и строго следуйте руководству к шлифовальному станку и инструкциям производителя покрытия.



Предостережение! Опасность пожара. При работе с металлическими поверхностями, не используйте мешок для пыли или пылесос, потому что могут образовываться искры. Надевайте защитные очки и респиратор. Из-за опасности пожара, не используйте шлифовальный станок для поверхностей с напылением магния. Не используйте станок для влажного шлифования.

Процесс работы

Использование шлифовального станка (рис. I)

Всегда держите шлифовальный станок обеими руками во время шлифования, как показано на рис. I.

Примечание: ручка шлифовального станка может быть установлена в трех различных положениях, как описано выше.

Переключатель (рис. J и K)

Чтобы включить шлифовальный станок, нажмите на переключатель вкл./выкл., как показано на рис. J. Чтобы остановить ваш шлифовальный станок, отпустите переключатель вкл./выкл..

Для непрерывной работы, нажмите переключатель вкл./выкл., удерживайте кнопку блокировки (рис. K) и отпустите переключатель вкл./выкл. Чтобы остановить

свой шлифовальный станок, нажмите переключатель вкл./выкл., чтобы освободить кнопку блокировки, нажмите на переключатель вкл./выкл. Отпустите переключатель вкл./выкл.

Полезные советы

- Всегда включайте свой шлифовальный станок, до того, как он войдет в контакт с заготовкой и не выключайте его, пока не снимите его с заготовки.
- Всегда держите шлифовальный станок двумя руками.
- Если возможно, зафиксируйте заготовку на верстаке или аналогичной прочной поверхности.
- Используйте правильную зернистость шлифовальной ленты. Ниже предлагается список зернистости шлифовальной ленты для использования с различными материалами.

Материал	Зернистость ленты
Твердая древесина	80
Шпон	150
ДСП	60/80
Пластмассы	100
Сталь	80 (снимите пылесборник)
Снятие краски	40/60
Пробковое дерево	100
Акрил	100

Уход за инструментом и техническое обслуживание

Ваш инструмент рассчитан на работу в течение длительного периода времени при минимальном техническом обслуживании. Срок службы и надежность зависят от правильного ухода и регулярной чистки.

Никогда не применяйте чрезмерную силу при использовании шлифовального станка. Применение чрезмерной силы может привести к перегрузке и вызвать повреждение двигателя или заготовки. Если ваш ленточный шлифовальный станок становится слишком горячим, дайте ему поработать без нагрузки в течение 2 минут. Вентиляционные охлаждающие

отверстия всегда должны быть чистыми. Для очистки шлифовального станка, выполните следующие действия:



Предостережение! Для предотвращения случайного нажатия, выключите и отсоедините шлифовальный станок от питания перед выполнением работы. Несоблюдение этого требования может привести к серьезным травмам.

- Используйте чистую сухую кисть, чтобы очистить вентиляционные отверстия и каналы.
- Для чистки корпуса, используйте чистую влажную ткань (не используйте растворители, газ или скипидар).



Важно! Для обеспечения БЕЗОПАСНОСТИ и ДОЛГОВЕЧНОСТИ изделия, ремонт, уход и регулировка должна производиться в авторизованных сервисных центрах или квалифицированным персоналом с использованием только оригинальных запасных частей.

Аксессуары

Производительность электроинструмента зависит от используемых аксессуаров. Аксессуары STANLEY разработаны в соответствии с высокими стандартами качества, чтобы повысить производительность электроинструмента.

Используйте только шлифовальные ленты 3"x21" (76x533 мм). Рекомендуемые аксессуары для использования с вашим инструментом доступны за дополнительную плату у вашего местного дилера или в авторизованном сервисном центре.

Примечания

- Политика STANLEY является процессом непрерывного совершенствования нашей продукции и, таким образом, мы оставляем за собой право изменять спецификацию продукта без предварительного уведомления.
- Стандартное оборудование и аксессуары могут варьировать в зависимости от страны.
- Характеристики могут различаться в зависимости от страны.
- Полный ассортимент продукции может варьировать в зависимости от страны. Свяжитесь с вашим местным дилером STANLEY для получения информации о наличных моделях.

Защита окружающей среды



Раздельный сбор и утилизация. Этот продукт не следует утилизировать вместе с бытовым мусором.

Если вы поймете, что ваш продукт Stanley нуждается в замене, или если он не имеет никакого дальнейшего применения для вас, не выбрасывайте его вместе с бытовыми отходами. Предоставьте этот продукт для раздельного сбора/утилизации.



Раздельный сбор продуктов и упаковок позволяет осуществить их переработку и использовать их повторно. Повторное

использование переработанных материалов помогает защищать окружающую среду от загрязнения и снижает расход сырьевых материалов.

Местное законодательство может обеспечить сбор старых электроинструментов отдельно от бытового мусора на муниципальных свалках отходов или в торговом предприятии при покупке нового изделия. Stanley обеспечивает возможность для сбора и утилизации продуктов Stanley, как только они достигли конца своего срока службы. Для того чтобы воспользоваться этой услугой, вы можете сдать ваше изделие в любой авторизованный сервисный центр, который собирает их по нашему поручению.

Вы можете узнать место нахождения вашего ближайшего авторизованного сервисного центра, обратившись в местное отделение Stanley по адресу, указанному в данном руководстве. Кроме того, список авторизованных ремонтных агентов Stanley и полную информацию о нашем послепродажном обслуживании и контактах вы можете найти в Интернете: www.2helpU.com10

Спецификации

	STBS720
Мощность	720W
Напряжение	220-240V
Частота	50/60Hz
Скорость без нагрузки	800/мин.

Информационная служба

STANLEY предлагает обширную сеть авторизованных сервисных центров, принадлежащих компании. Все сервисные центры STANLEY укомплектованы персоналом, прошедшим обучение, чтобы предоставить клиентам эффективный и надежный сервис. Для получения более подробной информации о наших авторизованных сервисных центрах, и если вам необходим технический совет, ремонт или оригинальные запасные части, обратитесь в ближайший к вам центр STANLEY.

Полная гарантия сроком на два года

Если ваш продукт STANLEY выходит из строя из-за дефектных материалов или изготовления в течение 24 месяцев с даты покупки, STANLEY гарантирует замену всех неисправных деталей бесплатно или - по своему усмотрению - замену продукта бесплатно при условии, что:

- Продукт использовался правильно, его эксплуатация проводилась строго в соответствии с инструкцией по эксплуатации.
- Продукт подвергался естественному износу;
- Ремонт не проводился посторонними лицами;
- Представлены документы, подтверждающие покупку.
- Продукт STANLEY возвращается в полном комплекте со всеми оригинальными компонентами

Если вы хотите сделать заявку, свяжитесь с продавцом или узнайте место нахождения вашего ближайшего авторизованного сервисного агента Stanley в каталоге Stanley или обратитесь в местное представительство Stanley по адресу, указанному в данном руководстве. Список авторизованных сервисных агентов Stanley и полную информацию о нашем послепродажном обслуживании можно найти в Интернете по адресу: www.stanleytools.com

STANLEY

Гарантийные условия

Уважаемый покупатель!

1. Поздравляем Вас с покупкой высококачественного изделия STANLEY и выражаем признательность за Ваш выбор.

2. При покупке изделия требуйте проверки его комплектности и исправности в Вашем присутствии, инструкцию по эксплуатации и заполненный гарантийный талон на русском языке.

В гарантийном талоне должны быть внесены: модель, дата продажи, серийный номер, дата производства инструмента; название, печать и подпись торговой организации. При отсутствии у Вас правильно заполненного гарантийного талона, а также несоответствия указанных в нем данных мы будем вынуждены отклонить Ваши претензии по качеству данного изделия.

3. Во избежание недоразумений убедительно просим Вас перед началом работы с изделием внимательно ознакомиться с инструкцией по его эксплуатации. Правовой основой настоящих гарантийных условий является действующее Законодательство. Гарантийный срок на данное изделие составляет 24 месяца и исчисляется со дня продажи. В случае устранения недостатков изделия, гарантийный срок продлевается на период его нахождения в ремонте. Срок службы изделия составляет 5 лет со дня продажи.

4. В случае возникновения каких-либо проблем в процессе эксплуатации изделия рекомендуем Вам обратиться только в уполномоченные сервисные центры STANLEY, адреса и телефоны которых Вы сможете найти в гарантийном талоне, на сайте www.2helpU.com или узнать в магазине. Наши сервисные станции - это не только квалифицированный ремонт, но и широкий ассортимент запчастей и принадлежностей.

5. Производитель рекомендует проводить периодическую проверку и техническое обслуживание изделия в уполномоченных сервисных центрах.

6. Наши гарантийные обязательства распространяются только на неисправности, выявленные в течение гарантийного срока и вызванные дефектами производства и/или материалов.
7. **Гарантийные условия не распространяются на неисправности изделия, возникшие в результате:**
 - 7.1. Несоблюдения пользователем предписаний инструкции по эксплуатации изделия, применения изделия не по назначению, неправильном хранении, использования принадлежностей, расходных материалов и запчастей, не предусмотренных производителем.
 - 7.2. Механического повреждения (сколы, трещины и разрушения) внутренних и внешних деталей изделия, основных и вспомогательных рукояток, сетевого электрического кабеля, вызванного внешним ударным или любым иным воздействием
 - 7.3. Попадания в вентиляционные отверстия и проникновение внутрь изделия посторонних предметов, материалов или веществ, не являющихся отходами, сопровождающими применение изделия по назначению, такими как: стружка, опилки, песок, и пр.
 - 7.4. Воздействий на изделие неблагоприятных атмосферных и иных внешних факторов, таких как дождь, снег, повышенная влажность, нагрев, агрессивные среды, несоответствие параметров питающей электросети, указанных на инструменте.
 - 7.5. Стихийного бедствия. Повреждение или утрата изделия, связанное с непредвиденными бедствиями, стихийными явлениями, в том числе вследствие действия непреодолимой силы (пожар, молния, потоп и другие природные явления), а так же вследствие перепадов напряжения в электросети и другими причинами, которые находятся вне контроля производителя.
8. **Гарантийные условия не распространяются:**
 - 8.1. На инструменты, подвергавшиеся вскрытию, ремонту или модификации вне уполномоченного сервисного центра.
 - 8.2. На детали и узлы, имеющие следы естественного износа, такие как: приводные ремни и колеса, угольные щетки, смазка, подшипники, зубчатое зацепление редукторов, резиновые уплотнения, сальники, направляющие ролики, муфты, выключатели, бойки, толкатели, стволы, и т.п.
 - 8.3. На сменные части: патроны, цанги, зажимные гайки и фланцы, фильтры, аккумуляторные батареи, ножи, шлифовальные подошвы, цепи, звездочки, пильные шины, защитные кожухи, пилки, абразивы, пильные и абразивные диски, фрезы, сверла, буры и т.п.
 - 8.4. На неисправности, возникшие в результате перегрузки инструмента (как механической, так и электрической), повлекшей выход из строя одновременно двух и более деталей и узлов, таких как: ротора и статора, обеих обмоток статора, ведомой и ведущей шестерни редуктора или других узлов и деталей. К безусловным признакам перегрузки изделия относятся, помимо прочих: появление цветов побежалости, деформация или оплавление деталей и узлов изделия, потемнение или обугливание изоляции проводов электродвигателя под воздействием высокой температуры.

Изготовитель

Блэк энд Деккер Холдингс ГмбХ
Германия, 65510, Идштайн,
ул. Блэк энд Деккер, 40

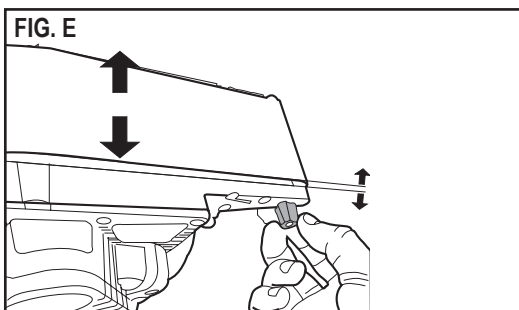
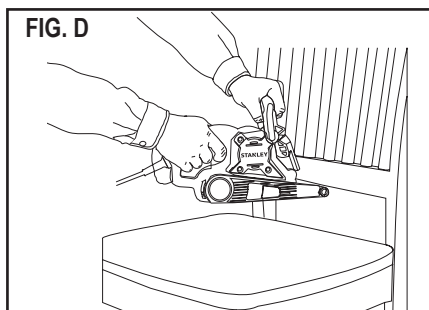
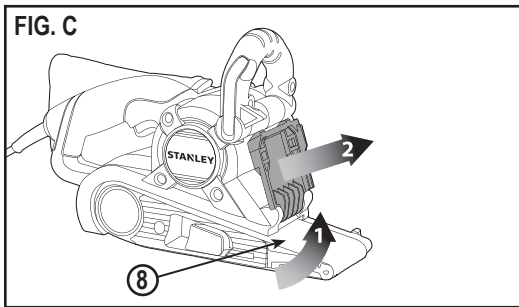
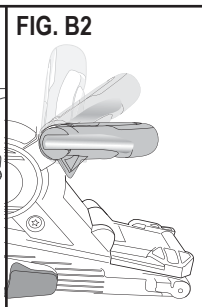
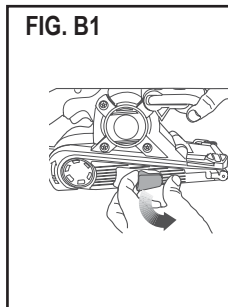
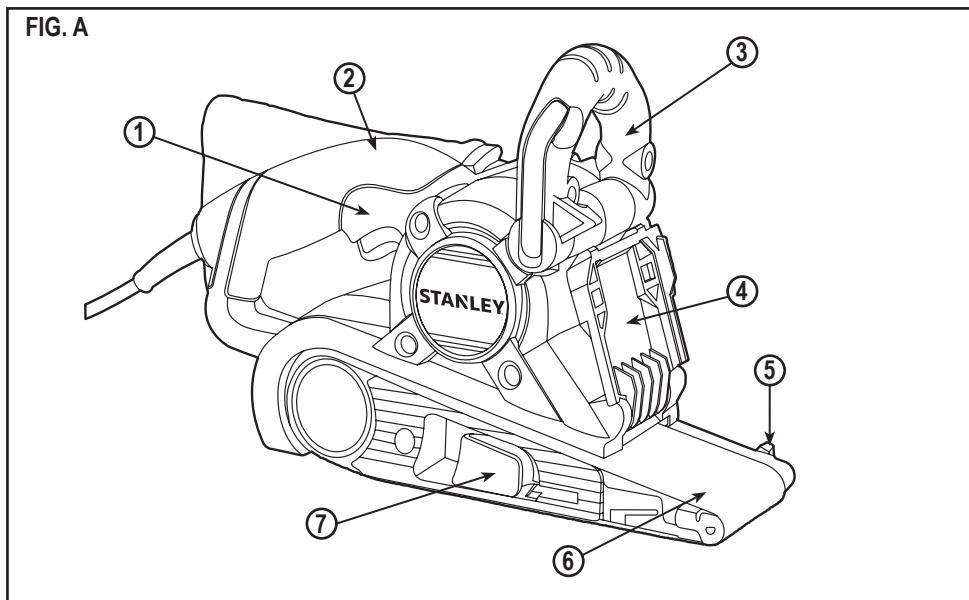


FIG. F

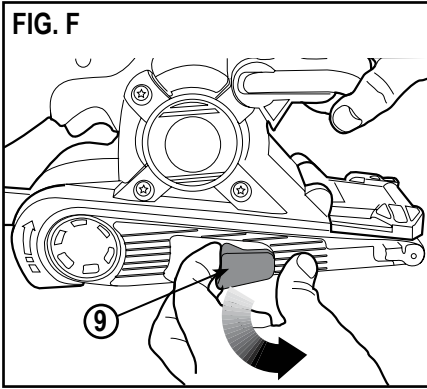


FIG. G

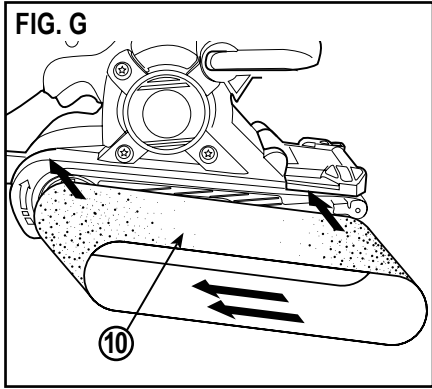


FIG. H

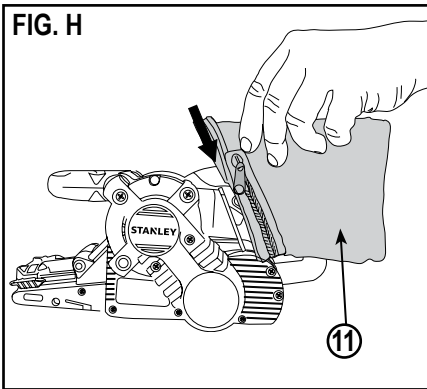


FIG. I

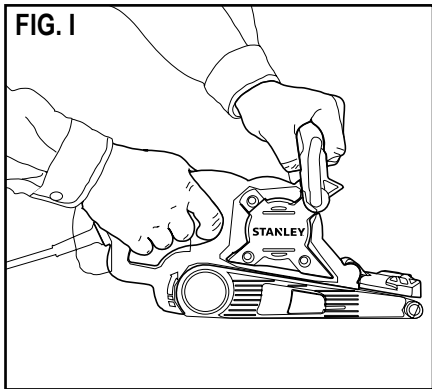


FIG. J

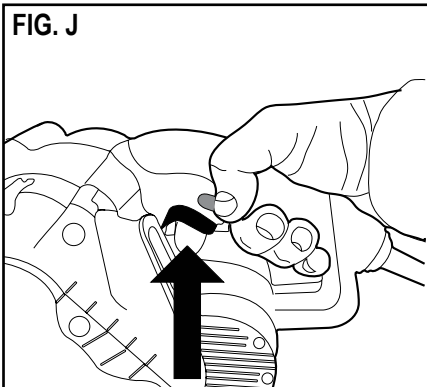
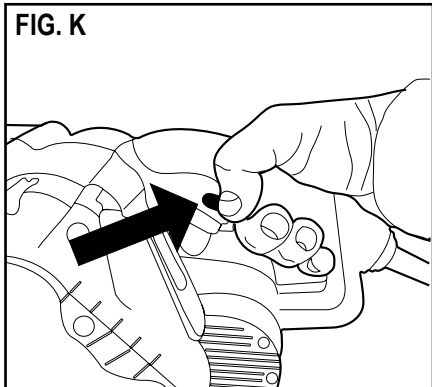


FIG. K



НЕ ПОВЕРТАЙТЕ ЦЕЙ ВИРОБ В МАГАЗИН,
спочатку зверніться в місцевий офіс STANLEY або в
найближчий авторизований сервісний центр.

Загальні правила безпеки



Застереження! Ознайомтеся з усіма інструкціями. Недотримання інструкцій, зазначених нижче, може призвести до ураження електричним струмом, пожежі та/або серйозної травми.

ЗБЕРЕЖІТЬ ЦІ ІНСТРУКЦІЇ

Правила техніки безпеки

Загальні попередження з техніки безпеки електроінструментів



Увага! Ознайомтеся з усіма правилами безпеки та інструкціями. Недотримання попереджень та інструкцій, зазначених нижче, може призвести до ураження електричним струмом, пожежі та/або серйозної травми.

Збережіть всі попередження та інструкції для майбутнього використання.

Термін "електроінструмент" у всіх попередженнях, зазначених нижче, відноситься до мережевого (з кабелем) електроінструменту або акумуляторної батареї (без кабелю живлення).

1. Безпека робочого місця

- a. Утримуйте робоче місце в чистоті і добре освітленим. Безлад на робочому місці або відсутність освітлення робочого місця може призвести до аварії.
- b. Не працюйте з електроінструментом в місці зберігання вибухонебезпечних матеріалів, наприклад, у присутності легкозаймистих рідин, газів або пилу. Електричні інструменти створюють іскри, що можуть запалити пил або пари.
- c. Діти і сторонні особи повинні знаходитися якнайдалі під час роботи з електроприладами. Ви можете відволіктися і втратити контроль.

2. Електробезпека

- a. Вилка електроінструмента повинна відповідати розетці. Ніколи не змінюйте вилку будь-яким чином. Не використовуйте ніякі вилки-перехідники з заземленими (замкнутими на землю) електроінструментами. Вилки і розетки, які не піддавалися ніяким змінам знижують ризик ураження електричним струмом.
- b. Уникайте контакту тіла з заземленими поверхнями, такими як труби, радіатори, плити та

холодильники. Існує підвищений ризик ураження електричним струмом, якщо ваше тіло заземлене.

- c. Уникайте будь-якого впливу дощу або вологи на електроінструменти. Вода, що потрапила в електроінструмент, збільшує ризик ураження електричним струмом.
 - d. Обережно поводьтеся зі шнуром живлення. Ніколи не використовуйте шнур живлення для перенесення, переміщення або вилучення вилки з розетки. Тримайте шнур подалі від джерел тепла, масла, гострих країв або рухомих частин. Пошкоджені або заплутані шнури збільшують ризик ураження електричним струмом.
 - e. При роботі з електроінструментом на вулиці, використовуйте подовжувач, відповідний для зовнішнього використання. Використання кабелю, придатного для використання на відкритому повітрі, знижує ризик ураження електричним струмом.
 - f. При необхідності роботи з електроінструментом у вологому середовищі, використовуйте пристрій захисного відключення (ПЗВ). Використання ПЗВ знижує ризик ураження електричним струмом. Примітка: визначення "Пристрій захисного відключення (RCD)" може бути замінено на "Переривник схеми замикання на землю (GFCI)" або "Автоматичний вимикач витоку на землю (ELCB)".
- #### 3. Особиста безпека
- a. Будьте уважні, дивіться, що ви робите, використовуйте здоровий глузд при роботі з електроприладами. Не використовуйте електроінструмент, якщо ви втомилися або перебуваєте під впливом наркотиків, алкоголю або ліків. Найменша необережність при роботі з електроінструментом може призвести до серйозних травм.
 - b. Використовуйте засоби індивідуального захисту. Завжди надягайте захисні окуляри. Інше захисне обладнання, включаючи респиратор, черевики на нековзній підшві, захисний шолом або засоби захисту органів слуху, використовувати в належних умовах, зменшать ризик отримання травми.
 - c. Для запобігання випадкового запуску, переконайтеся, що перемикач знаходиться у вимкненому положенні перед підключенням до джерела живлення та/або акумуляторної батареї, підняття або перенесення інструменту. Не переносьте електроінструмент з пальцем на вимикачі і не включаєте електроживлення на інструмент з увімкненим вимикачем, що може призвести до нещасного випадку.

c. **Для запобігання випадкового запуску, переконайтеся, що перемикач знаходиться у вимкненому положенні перед підключенням до джерела живлення та/або акумуляторної батареї, підняття або перенесення інструменту.** Не переносьте електроінструмент з пальцем на викикачі і не включайте електроживлення на інструмент з увімкненим викикачем, що може призвести до нещасного випадку.

d. **Перед включенням електроінструменту знімайте регульовальний або гайковий ключ.** Гайковий або регульовальний ключ, залишений на обертівій частині електроінструменту, може призвести до травми.

e. **Не тягніться. Зберігайте правильну стійку і баланс весь час.** Це дозволяє краще контролювати інструмент в несподіваних ситуаціях.

f. **Одягайтеся правильно. Не надягайте вільний одяг або прикраси.** Тримайте волосся, одяг і рукавички далеко від рухомих частин. Вільний одяг, прикраси або довге волосся можуть потрапити в рухомі частини.

g. **Якщо є пристрої для підключення пилосбірника або витяжки, переконайтеся в тому, що вони під'єднані і використовуються правильно.** Використання пилосбірника знижує ймовірність виникнення ризиків, пов'язаних з пилом.

4. Використання та догляд за електроінструментом

a. **Не перевантажуйте електроінструмент.** Використовуйте відповідний електричний інструмент для відповідного застосування. Правильно підібраний електроінструмент дозволить виконати роботу краще і безпечніше при швидкості, для якої він був розроблений.

b. **Не використовуйте електроінструмент, якщо перемикач не може його включити і вимкнути.** Будь-який електроінструмент, який не можна контролювати за допомогою перемикача, є небезпечний і повинен бути відремонтований.

c. **Від'єднайте кабель живлення від джерела живлення та/або акумулятора від електричного інструменту перед виконанням будь-яких регулювань, заміни приладдя або при зберіганні електроінструменту.** Такі профілактичні заходи безпеки зменшують ризик ненавмисного запуску електричного інструменту.

d. **Зберігайте електроприлади в недоступному для дітей місці і не дозволяйте особам, які не знайомі з електричним інструментом або даними інструкціями, працювати з електроприладами.** Електроінструменти небезпечні в руках недосвідчених користувачів.

e. **Підтримання електроінструменту. Перевіряйте розрегульованість або з'єднання рухомих частин, поломки частин і будь-які інші умови, які можуть вплинути на роботу електроінструменту. При**

наявності пошкодження, відремонтуйте електроінструмент перед використанням. Багато нещасних випадків є наслідком поганого догляду за електроінструментом.

f. **Тримайте ріжучий інструмент гострим і чистим.** Добре доглянутий ріжучий інструмент з гострими ріжучими крайками легше контролювати.

g. **Використовуйте електроінструмент, аксесуари та насадки відповідно до цих вказівок, приймаючи до уваги умови роботи і ті роботи, які повинні бути виконані.** Використання електроінструменту для операцій, які відрізняються від тих, для яких він призначений, може призвести до небезпечної ситуації.

5. Обслуговування

a. **Забезпечте, щоб обслуговування і ремонт вашого електроінструменту проводився в авторизованому сервісному центрі по ремонту з використанням тільки оригінальних запасних частин.** Це стане гарантією безпеки електроінструменту.

• **Тримайте інструмент за ізольовані поверхні під час роботи, при якій ріжучий інструмент може зачепити приховану проводку або власний кабель.** При контакті ріжучого аксесуара з «працюючим» проводом або відкритими металевими частинами електроінструменту оператора може вдарити електричним струмом.

• **Використовуйте лещата або інше відповідне пристосування для забезпечення і підтримки оброблюваного виробу на стійкій платформі.** Проведення роботи по напрямку руки або проти вашого тіла, позбавляє стійкості і може призвести до втрати контролю.



Увага! Дотримуйтесь особливої обережності при шліфуванні деяких сортів дерева (наприклад, бук, дуб) і металу, оскільки в процесі роботи може утворюватися токсичний пил. Одягайте респіратор, спеціально розроблений для захисту від токсичного пилу і парів і стежте, щоб особи, які перебувають в робочій зоні, також були захищені.

Додаткові заходи безпеки для шліфувального верстата

Шліфування

Фарби на основі свинцю

Шліфування поверхонь, покритих фарбою на основі свинцю не рекомендується через складність контролю за пилом. Діти та вагітні жінки наражаються на небезпеку отруєння свинцем. Оскільки складно визначити без хімічного аналізу чи містить фарба свинець чи ні, ми рекомендуємо при шліфуванні пофарбованих поверхонь приймати наступні запобіжні заходи:

Особиста безпека

- Діти та вагітні жінки не повинні входити в робочу зону, де проводиться шліфування пофарбованих поверхонь, до тих пір, поки в них не проведена повне прибирання.
- Всі співробітники, що входять в робочу зону, повинні носити маску або респиратор. Фільтр необхідно замінювати щодня або всякий раз, коли ви відчуваєте утруднення дихання.

Примітка: Необхідно використовувати тільки ті респиратори, які підходять для захисту від пилу від свинцевих фарб. Звичайні маски не забезпечують необхідний захист. Зверніться до місцевого дилера для покупки відповідної маски, затвердженої NIOSH.

- **ЗАБОРОНЕНО ПРИЙМАТИ ЇЖУ, ПИТИ І КУРИТИ** в робочій зоні, щоб запобігти заковтуванню часток фарби. Робітники повинні вимитися перед їжею, питвом або курінням. Продукти харчування, напої і сигарети не слід залишати в робочій зоні, оскільки на них може осідати пил.

Екологічна безпека

- Фарба повинна бути вилучена таким чином, щоб звести до мінімуму кількість пилу, що утворюється.
- Місця, в яких проводиться видалення фарби, повинні бути ізольовані/закриті пластиковою плівкою товщиною 4 мл.
- Шліфування повинно проводитися таким чином, щоб зменшити поширення пилу від фарби за межами робочої зони.

Очищення і знешкодження

- Всі поверхні в робочій зоні повинні щодня очищатися за допомогою пиლოსоса і ретельно прибираються протягом усього часу здійснення робіт, пов'язаних зі шліфуванням. Мішки для сміття для пиლოსоса повинні мінятися якомога частіше.
- Пластикові пакети зі спеодягом повинні збиратися і утилізуватися разом з усіма залишками пилу або іншим сміттям. Їх необхідно поміщати в герметично закриті контейнери і утилізувати в процесі регулярного вивезення сміття. Під час прибирання діти та вагітні жінки повинні знаходитися в стороні від робочої зони.
- Всі іграшки, меблі і посуд, використовувані дітьми, повинні бути ретельно вимиті перед повторним використанням.

Двигун

Переконайтеся, що параметри електроживлення збігаються з маркуванням на заводській табличці. Ця інформація друкується на табличці. Більш низька напруга може призвести до втрати живлення та перегрівання. Всі інструменти STANLEY пройшли

тестування на заводі-виробнику, якщо цей інструмент не працює, перевірте джерело живлення.

Використання подовжувачів

Переконайтеся, що подовжувач знаходиться в хорошому стані перед використанням. Завжди використовуйте відповідні подовжувачі з даним інструментом - тобто, подовжувачі з правильним розміром дроту для кабелю різної довжини і досить важкі, щоб подавати інструменту потрібне харчування. Використання дроту меншої довжини може викликати падіння напруги і призведе до втрати потужності і перегріву.

Особливі правила з техніки безпеки

- **Уникайте тривалого контакту з пилом від джерела шліфування, пиляння, свердління та інших будівельних робіт. Одягайте захисний одяг і вимивайте відкриті ділянки тіла водою з милом.** Потрапання пилу в рот, очі або на шкіру може стати причиною отруєння шкідливими хімічними речовинами.



Застереження! При використанні цього інструмента утворюється і/або розповсюджується пил, який може призвести до серйозної і постійної травми

дихальних шляхів або інших травм. Завжди використовуйте відповідні засоби захисту органів дихання від впливу пилу, схвалені NIOSH/OSHA. Захистіть обличчя і тіло від прямого попадання частинок.



Увага! Одягайте відповідні засоби захисту органів слуху під час роботи. При деяких умовах і тривалості використання, шум від цього продукту може сприяти втраті слуху.



Увага!

- Завжди надягайте засоби захисту очей та органів дихання.
- Періодично очищайте інструмент.

Безпека сторонніх осіб

- Цей інструмент не призначений для використання особами (включаючи дітей) з обмеженими фізичними, чутливими або розумовими здібностями або з браком досвіду чи знань, якщо вони не були під контролем і керівництвом особи, яка контролює використання приладу або відповідальна за їх безпеку.
- Діти повинні бути під наглядом дорослих, щоб не допустити ніяких ігор з приладом.

Залишкові ризики

Додаткові залишкові ризики можуть виникнути при використанні інструменту, які не можуть бути включені в описані тут правила техніки безпеки. Ці ризики можуть виникнути при неправильному або тривалому використанні виробу і т.п. Незважаючи на дотримання відповідних правил техніки безпеки та використання

запобіжних пристроїв, деяких залишкових ризиків неможливо уникнути. Вони включають в себе:

- Травми в результаті торкання до обертових/рухомих частин.
- Ризик отримання травми під час зміни деталей інструменту, ножів або насадок.
- Травми, викликані тривалим використанням інструменту. При використанні інструменту протягом тривалого періоду часу, робіть регулярні перерви в роботі.
- Поганий слух
- Збиток здоров'ю внаслідок вдихання пилу при використанні інструменту (приклад: роботи з деревом, особливо, деревиною дуба, бука і дереволокнистими плитами середньої щільності)

Vibration


The declared vibration emission values stated in the technical data and the declaration of conformity have been measured in accordance with a standard test method provided by EN 60745 and may be used for comparing one tool with another. The declared vibration emission value may also be used in a preliminary assessment of exposure.

Warning! The vibration emission value during actual use of the power tool can differ from the declared value depending on the ways in which the tool is used. The vibration level may increase above the level stated.

When assessing vibration exposure to determine safety measures required by 2002/44/EC to protect persons regularly using power tools in employment, an estimation of vibration exposure should consider, the actual conditions of use and the way the tool is used, including taking account of all parts of the operating cycle such as the times when the tool is switched off and when it is running idle in addition to the trigger time.

Етикетки на інструменті

Етикетки на вашому інструменті можуть включати такі символи:

	Читайте інструкції з експлуатації	Гц Герц	 Конструкція класу II
	Використовуйте засоби захисту очей	Вт Ват	 Термінал заземлення
	Використовуйте засоби захисту органів слуху	мин хвилини	 Символ попередження про небезпеку
V Вольт		Змінний струм	 обороти або зворотно поступальний рух в хвилину
A Ампер		Постійний струм	хв..	
		п ₀ Швидкість без навантаження		

Положення дати штрих-коду

Дата коду, який також включає рік виготовлення, друкується на корпусі.

Приклад:

2014 XX JN
Рік виготовлення

Електрична безпека



Цей інструмент захищений подвійною ізоляцією, тому заземлюючий провід не потрібно. Завжди перевіряйте, щоб напруга мережі відповідала напрузі, вказаній на табличці.



Застереження! Якщо шнур живлення пошкоджений, він повинен бути замінений виробником або уповноваженим сервісним центром STANLEY для того, щоб уникнути небезпеки.

Характеристики (мал. А)

1. Замок на перемикач для безперервного використання
2. Качка для видалення пилу
3. Регульована ручка
4. Алюмінієва кришка
5. Ручка регулювання стрічки конвеєра
6. Шліфувальна стрічка
7. Важіль фіксатора стрічки одинарної дії

Регулювання



Увага! Для запобігання випадкового натискання, вимкніть і відключіть шліфувальний верстат від мережі перед виконанням наступних операцій. Недотримання цієї вимоги може привести до серйозних травм.

Рукоятка з 3 положеннями (мал. В1 і В2)

Запірний механізм на стороні ручки може бути ослаблений, щоб ручка могла переміщатися. Щоб відрегулювати ручку, натиснете на фіксатор (мал. В1) і перемістіть ручку в потрібне положення (мал. В2). Після того, як ручка встала в потрібне положення, натисніть на фіксуєчий важіль і зафіксуйте ручку в потрібне положення.

Кожух ремня з 2 положеннями (мал. С і D)

Шліфувальний верстат має алюмінієву кришку шліфувальної стрічки спереду. Коли ручка розташована в самому верхньому положенні, ця кришка може бути

піднята, як показано на мал. С (стрілка 1) і блокується в цьому положенні:

- a. Покращує доступність до вузьких зон.
- b. Дозволяє використання переднього ролика меншого діаметру для шліфування (зазвичай алюмінієва кришка запобігає цьому, коли в положенні «вниз»).
- c. Відкрийте верхню частину ременя для більш різностороннього шліфування (мал. D).

Щоб опустити кришку ременя, необхідно зрозуміти фланець на стороні і перемістити його трохи в напрямку, показаному на мал. С (стрілка 2) і закрити його.

Примітка: кожух шліфувальної стрічки не може бути заблокований в піднятому положенні, якщо тільки ручка не знаходиться в піднятому положенні.



Увага! Шліфувальна стрічка відкривається, коли піднімається кожух. Будьте особливо обережні при роботі в цьому режимі.

Зміна шліфувальної стрічки (мал. G)

Застереження! Для запобігання випадкового натискання, вимкніть і відключіть шліфувальний верстат перед зміною шліфувальної стрічки. Потягніть важіль, показаний на мал. 5, щоб послабити натяг на шліфувальну стрічку. Зніміть шліфувальну стрічку з двох роликів. Поставте нову шліфувальну стрічку 3" x 21" (76 x 533 мм) в потрібне положення на передніх і задніх роликах (мал. 6). Переконайтеся, що стрілки на шліфувальній стрічці і ремені шліфувального верстата вказують в одному і тому ж напрямку. Натисніть на важіль ззаду, щоб затягнути шліфувальну стрічку.

Пилосбірник (мал. H)



Застереження! Для запобігання випадкового натискання, вимкніть і відключіть шліфувальний верстат перед установкою мішка для збору пилу.

При використанні шліфувального верстата, утворюється пил і пісок. Необхідно використовувати мішок. Для під'єднання пилосбірника, посуňte пластиковий отвір мішка вниз до випускного отвору для пилу шліфувального верстата як показано на мал. 7. Щоб очистити пилосбірник, зніміть його зі шліфувального верстата і растегніть мішок над сміттєвим контейнером.



Застереження! Небезпека пожежі. Зібрана пил від шліфування поверхонь, покритих поліуретаном, пляною олією і т.д. може загорітися в мішку для збору шліфувального пилу або в іншому місці і викликати пожежу. Щоб зменшити

ризик, як можна частіше звільняйте мішок і суворо дотримуйтеся посібника користувача до шліфувального верстата і інструкцій виробника покриття.



Застереження! Небезпека пожежі. При роботі з металевими поверхнями, не використовуйте мішок для пилу або пилосос, тому що можуть утворюватися іскри. Одягайте захисні окуляри і респіратор. Через небезпеку пожежі, не використовуйте шліфувальний верстат для поверхонь з напленням магнію. Не використовуйте верстат для вологого шліфування.

Процес роботи

Використання шліфувального верстата (мал. I)

Завжди тримайте шліфувальний верстат обома руками під час шліфування, як показано на мал. I.

Примітка: ручка шліфувального верстата може бути встановлена в трьох різних положеннях, як описано вище.

Перемикач (мал. J і K)

Щоб включити шліфувальний верстат, натисніть на перемикач вкл./викл., як показано на мал. J. Щоб зупинити ваш шліфувальний верстат, відпустіть перемикач вкл./викл.

Для безперервної роботи, натисніть перемикач вкл./викл., утримуйте кнопку блокування (мал. K) і відпустіть перемикач вкл./викл., щоб зупинити свій шліфувальний верстат, натисніть перемикач вкл./викл., щоб звільнити кнопку блокування, натисніть на перемикач вкл./викл., відпустіть перемикач вкл./викл.

Корисні поради

- Завжди включайте свій шліфувальний верстат, до того, як він увійде в контакт із заготівлю, та не вимикайте його, поки не знімете його з заготівлі.
- Завжди тримайте шліфувальний верстат двома руками.
- Якщо можливо, зафіксуйте заготівлю на верстаті або аналогічній міцній поверхні.
- Використовуйте правильну зернистість шліфувальної стрічки. Нижче пропонується список зернистості шліфувальної стрічки для використання з різними матеріалами.

Матеріал	Зернистість стрічки
Тверда деревина	80
Шпон	150
ДСП	60/80
Пластмаси	100
Сталь	80 (зніміть пилосбірник)
Зняття фарби	40/60
Коркове дерево	100
Акрил	100

Догляд за інструментом і технічне обслуговування

Ваш інструмент розрахований на роботу протягом тривалого періоду часу при мінімальному технічному обслуговуванні. Термін служби і надійність залежать від правильного догляду та регулярного чищення.

Ніколи не застосовуйте надмірну силу при використанні шліфувального верстата. Застосування надмірної сили може призвести до перевантаження і викликати пошкодження двигуна або заготовки. Якщо ваш стрічковий шліфувальний верстат стає занадто гарячим, дайте йому попрацювати без навантаження протягом 2 хвилин. Вентиляційні охолоджуючі отвори завжди повинні бути чистими. Для очищення шліфувального верстата, виконайте такі дії:



Застереження! Для запобігання випадкового натискання, вимкніть і відключіть шліфувальний верстат від харчування перед виконанням роботи. Недотримання цієї вимоги може привести до серйозних травм.

- Використовуйте чисту суху кисть, щоб очистити вентиляційні отвори і канали.
- Для чищення корпусу, використовуйте чисту вологу тканину (не використовуйте розчинники, газ або скипидар).



Важливо! Для забезпечення БЕЗПЕКИ і ДОВГОВІЧНОСТІ виробу, ремонт, догляд і регулювання повинні проводитися в авторизованих сервісних центрах або кваліфікованим персоналом з використанням тільки оригінальних запасних частин.

Акcesуари

Продуктивність електроінструменту залежить від використовуваних акcesуарів. Акcesуари STANLEY

розроблені у відповідності з високими стандартами якості, щоб підвищити продуктивність електроінструменту.

Використовуйте тільки шліфувальні стрічки 3"x21" (76x533 мм). Рекомендовані акcesуари для використання з вашим інструментом доступні за додаткову плату у вашого місцевого дилера або в авторизованому сервісному центрі.

Примітки

- Політика STANLEY є процесом безперервного вдосконалення нашої продукції і, таким чином, ми залишаємо за собою право змінювати специфікацію продукту без попереднього повідомлення.
- Стандартне обладнання та акcesуари можуть варіювати залежно від країни.
- Характеристики можуть відрізнятися в залежності від країни.
- Повний асортимент продукції може варіювати залежно від країни. Зв'яжіться з вашим місцевим дилером STANLEY для отримання інформації про моделі, що є в наявності.

Повна гарантія терміном на два роки



Роздільний збір і утилізація. Цей продукт не слід утилізувати разом з побутовим сміттям.

Якщо ви зрозумієте, що ваш продукт Stanley потребує заміни, або якщо він не має ніякого подальшого застосування для вас, не викидайте його разом з побутовими відходами. Надайте цей продукт для роздільного збору/утилізації.



Роздільний збір продуктів і упаковок дозволяє здійснити їх переробку і використати їх повторно. Повторне використання перероблених матеріалів допомагає захищати довкілля від забруднення і знижує витрату сировинних матеріалів.

Міське законодавство може забезпечити збір старих електроінструментів окремо від побутового сміття на муніципальних звалищах відходів або в торговому підприємстві при купівлі нового виробу. Stanley забезпечує можливість для збору і утилізації продуктів Stanley, як тільки вони досягли кінця свого терміну служби. Для того, щоб скористатися цією послугою, ви можете здати ваш виріб у будь-який авторизований сервісний центр, який збирає їх за нашим дорученням.

Ви можете упізнати місце знаходження вашого найближчого авторизованого сервісного центру, звернувшись в міське відділення Stanley за адресою, вказаною в цьому керівництві. Крім того, список авторизованих ремонтних агентів Stanley і повну інформацію про наше післяпродажне обслуговування і контакти ви можете знайти в Інтернеті: www.2helpu.com10.

Специфікації

	STBS720
Потужність	720W
Напруга	220-240V
Частота	50/60Hz
Швидкість без навантаження	800/хвил.

Інформаційна служба

STANLEY пропонує повну мережу авторизованих сервісних центрів, що належать компанії. Всі сервісні центри STANLEY укомплектовані персоналом, який пройшов навчання, щоб надати клієнтам ефективний і надійний сервіс. Для отримання більш докладної інформації про наші авторизовані сервісні центри, і якщо вам необхідний технічна рада, ремонт або оригінальні запасні частини, зверніться до найближчого до вас центру STANLEY.

Два рік повної гарантії

Якщо ваш продукт STANLEY виходить з ладу із-за дефектних матеріалів або виготовлення впродовж 24 місяців з дати купівлі, STANLEY гарантує заміну усіх несправних деталей безкоштовно або - на власний розсуд - заміну продукту безкоштовно за умови, що:

- Продукт використовувався правильно, його експлуатація проводилася строго відповідно до інструкції з експлуатації.
- Продукт піддавався звичайному зносу;
- Ремонт не проводився сторонніми особами;
- Представлені документи, що підтверджують купівлю.
- Продукт STANLEY повертається в повному комплекті з усіма оригінальними компонентами

Якщо ви хочете зробити заявку, зв'яжіться з продавцем або з'ясуйте місце знаходження вашого найближчого авторизованого сервісного агента Stanley в каталозі Stanley або зверніться в місцеве представництво Stanley за адресою, вказаною в цьому посібнику. Список авторизованих сервісних агентів Stanley і повну інформацію про наше післяпродажне обслуговування можна знайти в Інтернеті за адресою: www.stanleytools.com

STANLEY

Гарантійні умови

Шановний покупець!

1. Вітаємо Вас з покупкою високоякісного виробу STANLEY і висловлюємо вдячність за Ваш вибір.
2. При покупці виробу вимагайте перевірки його комплекtnості і справності у Вашій присутності, інструкцію за експлуатації та заповнений гарантійний талон українською мовою

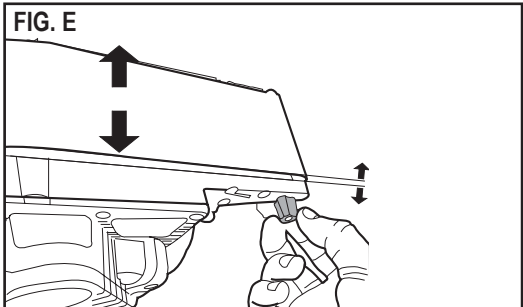
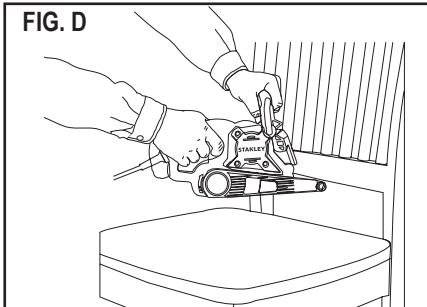
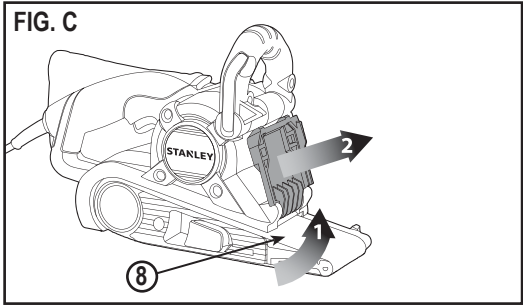
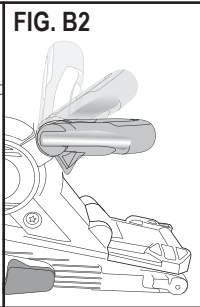
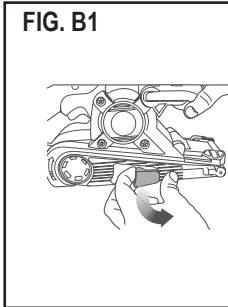
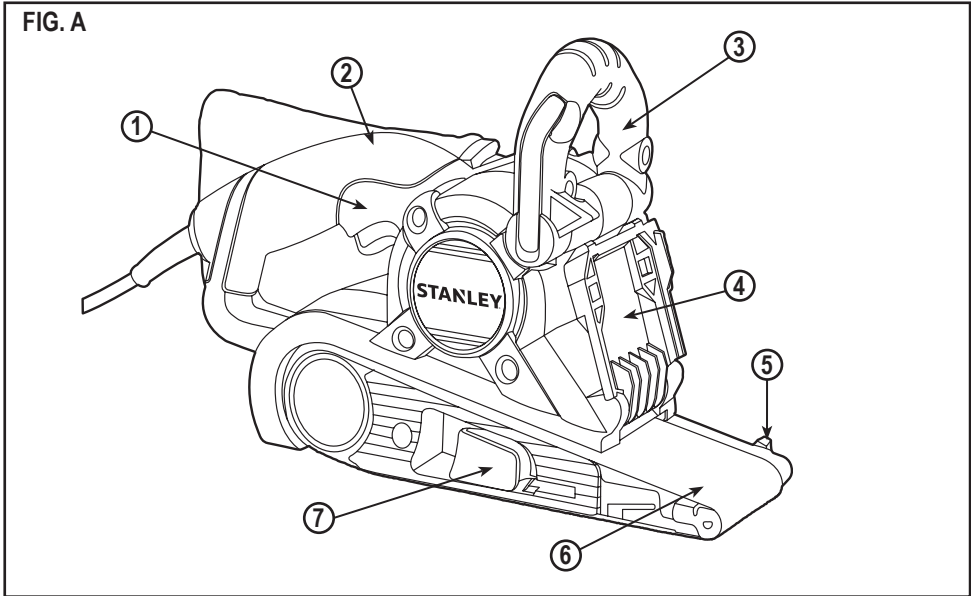
В гарантійному талоні повинні бути внесені: модель, дата продажу, серійний номер, дата виробництва інструменту; назва, печатка і Підпис торгової організації. За відсутності у Вас правильно заповненого гарантійного талону, а також при невідповідності зазначених у ньому даних ми будемо змушені відхилити Ваші претензії щодо якості даного виробу.

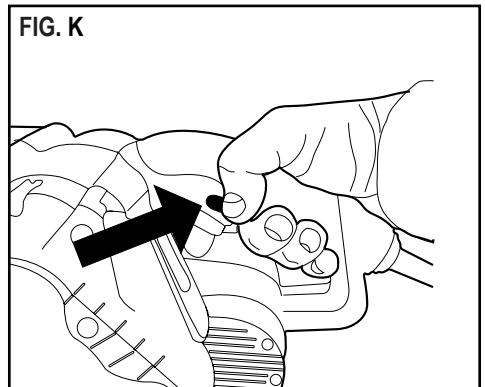
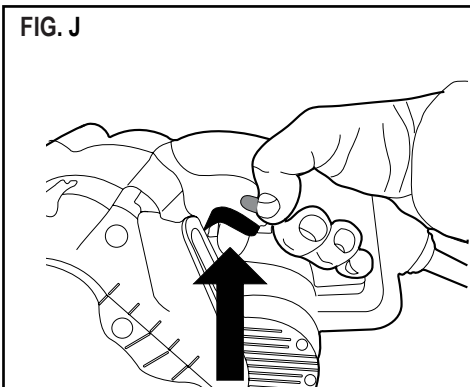
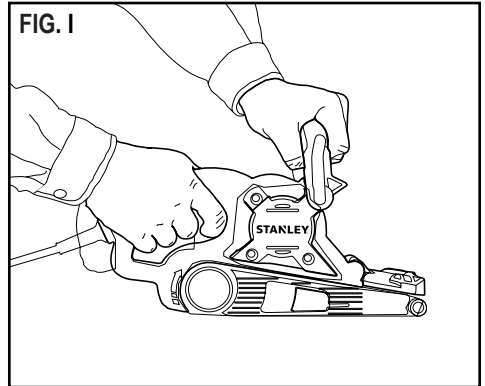
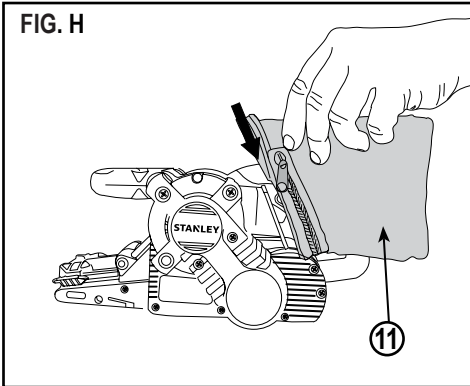
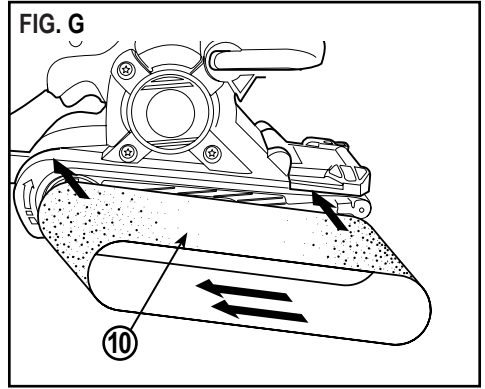
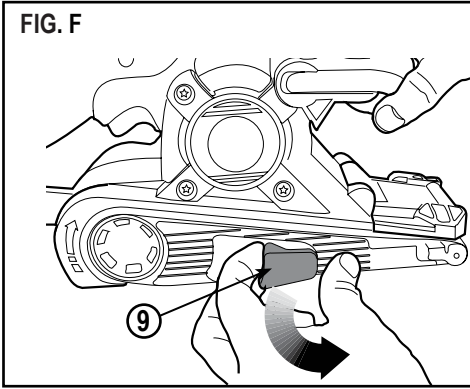
3. Щоб уникнути непорозумінь, переконливо просимо Вас перед початком роботи з виробом уважно ознайомитися з інструкцією з його експлуатації. Правовою основою справжніх гарантійних умов є чинне Законодавство. Гарантійний термін на даний виріб складає 24 місяці і обчислюється з дня продажу. У разі усунення недоліків виробу, гарантійний строк продовжується на період його перебування в ремонті. Термін служби виробу становить 5 років з дня продажу.
4. У разі виникнення будь-яких проблем у процесі експлуатації виробу рекомендуємо Вам звертатися тільки в уповноважені сервісні центри STANLEY, адреси та телефони яких Ви зможете знайти в гарантійному талоні, на сайті www.2helpU.com або дізнатися в магазині. Наші сервісні станції - це не тільки кваліфікований ремонт, але і широкий асортимент запчастин і аксесуарів.
5. Виробник рекомендує проводити періодичну перевірку і технічне обслуговування виробу в уповноважених сервісних центрах.
6. Наші гарантійні зобов'язання поширюються тільки на несправності, виявлені протягом гарантійного терміну і викликані дефектами виробництва та \ або матеріалів.
7. Гарантійні умови не поширюються на несправності виробу, що виникли в результаті:
 - 7.1 Недотримання користувачем приписів інструкції з експлуатації виробу, застосування виробу не за призначенням, неправильного зберігання, використання приладдя, витратних матеріалів і запчастин, що не передбачені виробником.
 - 7.2 Механічного пошкодження (відколи, тріщини і руйнування) внутрішніх і зовнішніх деталей виробу, основних і допоміжних рукояток, мережевого кабелю, що викликані зовнішнім ударним або будь-яким іншим впливом

- 7.3 Потрапляння у вентиляційні отвори та проникнення всередину виробу сторонніх предметів, матеріалів або речовин, що не є відходами, які супроводжують застосування виробу за призначенням, такими як: стружка, тирса, пісок, та ін.
- 7.4 Впливу на виріб несприятливих атмосферних і інших зовнішніх факторів, таких як дощ, сніг, підвищена вологість, нагрівання, агресивні середовища, невідповідність параметрів електромережі, що зазначені на інструменті.
- 7.5 Стихійного лиха. Пошкодження або втрати виробу, що пов'язані з непередбаченими лихами, стихійними явищами, у тому числі внаслідок дії непереборної сили (пожежа, блискавка, потоп і інші природні явища), а також внаслідок перепадів напруги в електромережі та іншими причинами, які знаходяться поза контролем виробника.
8. Гарантійні умови не поширюються:
 - 8.1. На інструменти, що піддавались розкриттю, ремонту або модифікації поза уповноваженим сервісним центром.
 - 8.2. На деталі, вузли та матеріали, що мають сліди природного зносу, такі як: приводні ремені і колеса, вугільні щітки, мастило, підшипники, зубчасті зчеплення редукторів, гумові ущільнення, сальники, направляючі ролики, муфти, вимикачі, бойки, штовхачі, стволи тощо.
 - 8.3. На змінні частини: патрони, цанги, затискні гайки і фланці, фільтри, акумуляторні батареї, ножі, шліфувальні підшви, ланцюги, зірочки, пильні шини, захисні кожухи, пилки, абразиви, пильні і абразивні диски, фрези, свердла, бури тощо
 - 8.4. На несправності, що виникли в результаті перевантаження інструменту (як механічного, так і електричного), що спричинили вихід з ладу одночасно двох і більше деталей і вузлів, таких як: ротора і статора, обох обмоток статора, веденої і ведучої шестерень редуктора або інших вузлів і деталей. До безумовних ознак перевантаження виробу відносяться, крім інших: поява кольорів мінливості, деформація або оплавлення деталей і вузлів виробу, потемніння або обвуглювання ізоляції проводів електродвигуна під впливом високої температури.



Виробник:
"Stanley Black & Decker Deutschland
GmbH" Black-&-Decker Str.40, D-65510
Idstein, Німеччина





Ne retournez pas cet appareil au magasin, contactez d'abord le bureau local STANLEY ou le centre de réparations agréé le plus proche.

Consignes générales de sécurité



Attention! Bien lire et assimiler toutes les instructions. Le non-respect de toutes les instructions ci-dessous peut entraîner un choc électrique, un incendie et/ou des blessures graves.

CONSERVEZ CES INSTRUCTIONS

Consignes de sécurité

Consignes générales de sécurité concernant les outils électroportatifs



Attention! Lire avec attention tous les avertissements et toutes les instructions. Le non-respect des avertissements et des instructions indiquées ci-dessous peut entraîner un choc électrique, un incendie et/ou des blessures graves

Conservez ces consignes et ces instructions pour référence ultérieure.

La notion "d'outil électroportatif" mentionnée par la suite se rapporte à des outils électriques raccordés au secteur (avec câble) ou fonctionnant avec piles (sans fil).

1. Sécurité de la zone de travail

- a. **Maintenir la zone de travail propre et bien éclairée.** Un lieu de travail en désordre ou mal éclairé augmente le risque d'accidents.
- b. **Ne pas utiliser d'outils électroportatifs dans un environnement présentant des risques d'explosion ni en présence de liquides, gaz ou poussières inflammables.** Les outils électroportatifs génèrent des étincelles risquant d'enflammer les poussières ou les vapeurs.
- c. **Pendant l'utilisation d'un outil électroportatif, les enfants et autres personnes présentes doivent rester éloignés.** En cas d'inattention, vous risquez de perdre le contrôle de l'outil.

2. Sécurité électrique

- a. **La fiche de l'outil électrique doit être compatible avec la prise d'alimentation, Ne modifiez la fiche en aucun cas. N'utilisez pas d'adaptateurs avec des outils ayant une prise de terre.** Le respect de ces consignes réduit le risque de choc électrique.
- b. **Eviter le contact physique avec des surfaces mises à la terre telles que tuyaux, radiateurs, fours et réfrigérateurs.** Le risque de choc électrique augmente si votre corps est relié à la terre.
- c. **Ne pas exposer les outils électroportatifs à la pluie ou à l'humidité.** La pénétration d'eau dans un outil

électroportatif augmente le risque de choc électrique.

- d. **Ne pas maltraiter le câble d'alimentation. Ne jamais utiliser le câble pour porter l'outil, et ne le tirez pas pour débrancher l'outil. Maintenir le câble éloigné des sources de chaleur, de la graisse, des bords coupants et des pièces en rotation.** Un câble endommagé ou emmêlé augmente le risque de choc électrique.
 - e. **Lorsque vous utilisez l'outil électroportatif à l'extérieur, utilisez une rallonge homologuée pour une utilisation à l'extérieur.** L'utilisation d'une rallonge électrique homologuée pour les travaux à l'extérieur réduit le risque de choc électrique.
 - f. **Si l'outil doit être utilisé dans un endroit humide, utilisez un dispositif différentiel à courant résiduel (DDR).** L'utilisation d'un tel dispositif réduit le risque de choc électrique. Remarque: Le terme "dispositif à courant résiduel (RCD)" peut être remplacé par "disjoncteur de fuite à la terre (GFCI)" ou par "interrupteur différentiel de sécurité (ELCB)".
- ### 3. Sécurité personnelle
- a. **Restez vigilant, surveillez ce que vous faites et faites preuve de bon sens quand vous utilisez un outil. N'utilisez pas un outil électroportatif lorsque vous êtes fatigué ou après avoir consommé de l'alcool ou pris des médicaments.** Un moment d'inattention en utilisant l'outil peut entraîner de graves blessures.
 - b. **Portez un équipement de protection. Portez toujours des lunettes de protection. Selon le travail à effectuer, le port d'un équipement de protection tel que masque anti-poussières, chaussures de sécurité antidérapantes, casque ou protection auditive, réduit le risque de blessures.**
 - c. **Évitez tout démarrage imprévu. L'interrupteur de l'outil doit être en position d'arrêt (off) avant d'effectuer le branchement à l'alimentation et/ou au bloc batterie, de ramasser l'outil ou de le porter.** Porter ou brancher un outil électrique dont l'interrupteur est en position Marche (on) est une invite à l'accident.
 - d. **Retirez les outils ou les clés de réglage avant de mettre l'outil en marche.** Une clé ou un outil se trouvant sur une partie en rotation peut causer des blessures.
 - e. **Adoptez une position confortable. Adoptez une position stable et gardez votre équilibre en permanence.** Vous contrôlerez mieux l'outil dans des situations inattendues.
 - f. **Portez des vêtements appropriés. Ne portez pas de vêtements amples ou de bijoux. N'approchez pas les cheveux, vêtements ou gants des pièces en mouvement.** Les vêtements amples, les bijoux ou les cheveux longs peuvent s'accrocher dans les pièces en mouvement.

g. En cas d'utilisation d'appareils servant à aspirer ou à recueillir les poussières, assurez-vous qu'ils sont correctement raccordés et utilisés. L'utilisation de tels dispositifs réduit les dangers dus aux poussières.

4. Utilisation des outils électroportatifs et précautions

a. Respectez la capacité de l'outil. Utilisez l'outil approprié pour le travail à effectuer. Avec un outil approprié, vous travaillerez mieux et en toute sécurité.

b. N'utilisez pas un outil électroportatif dont l'interrupteur marche/arrêt est défectueux. Un outil électroportatif qui ne répond pas à la commande marche/arrêt est dangereux et doit être réparé.

c. Retirez la fiche de la prise de courant et/ou débranchez le bloc-batterie avant d'effectuer des réglages, de changer les accessoires ou de ranger l'outil. Cette mesure de précaution empêche de mettre l'outil en marche accidentellement.

d. Rangez les outils électroportatifs hors de la portée des enfants et les personnes ne connaissant pas l'outil ne doivent en aucun cas l'utiliser. Les outils électroportatifs sont dangereux lorsqu'ils sont utilisés par des personnes non initiées.

e. Entretenez les outils électroportatifs. Vérifiez que les parties en mouvement fonctionnent correctement et qu'elles ne sont pas coincées. Vérifiez qu'il n'y a pas de pièces cassées ou endommagées susceptibles de nuire au bon fonctionnement de l'outil. S'il est endommagé, faites réparer l'outil avant de l'utiliser. De nombreux accidents sont la conséquence d'outils mal entretenus.

f. Les outils de coupe doivent toujours être aiguisés et propres. Des outils soigneusement entretenus avec des bords tranchants bien aiguisés se coincent moins souvent et peuvent être guidés plus facilement.

5. Réparations

a. Faites réparer votre outil électroportatif uniquement par du personnel qualifié et seulement avec des pièces de rechange appropriées. Cela garantira le maintien de la sécurité de votre outil.

- Pendant le fonctionnement, tenez l'outil au niveau des surfaces de prise isolées. En effet, l'accessoire de coupe peut entrer en contact avec des fils électriques cachés ou le câble de l'outil. En cas de contact avec un fil sous tension, la charge électrique passe dans les parties métalliques de l'outil et il y a un risque de choc électrique pour l'opérateur.

- Utilisez des pinces de serrage ou tout autre dispositif de fixation pour sécuriser la pièce à usiner sur un support stable. Tenir la pièce à usiner à la main ou contre son corps la rend instable et peut conduire à une perte de contrôle.



Attention! Soyez particulièrement prudent lorsque vous poncez certains bois (le hêtre ou le chêne par exemple) ou du métal car les sciures produites sont toxiques. Portez un masque anti-poussières spécialement conçu pour vous protéger des poussières et des émanations toxiques et assurez-vous que les personnes entrant dans la zone de travail portent également un équipement de protection.

Consignes de sécurité supplémentaires pour les ponceuses

Ponçage

Peinture à base de plomb

IL EST DECONSEILLE de poncer les peintures contenant du plomb car il est difficile de collecter entièrement la sciure dégagée par le ponçage. Les personnes les plus concernées par ce danger sont les enfants et les femmes enceintes. Comme il est difficile de savoir si la peinture que vous allez poncer contient du plomb sans analyse chimique, nous vous recommandons de suivre les précautions suivantes lorsque vous poncez une peinture:

Sécurité personnelle

- Aucun enfant ou femme enceinte ne doit entrer dans la zone de travail où a lieu le ponçage de la peinture tant que celle-ci n'a pas été nettoyée complètement.
- Toute personne entrant dans la zone de travail doit porter un masque de protection respiratoire ou anti-poussières. Le filtre du masque doit être changé tous les jours ou dès que l'utilisateur a du mal à respirer.

Remarque: Seuls les masques anti-poussières adaptés pour filtrer la poussière et les vapeurs contenant du plomb peuvent être utilisés. Les masques ordinaires ne vous offrent pas cette protection. Contactez votre magasin de bricolage local pour un masque anti-poussières approprié (homologué NIOSH).

- **Vous ne devez NI MANGER, BOIRE ou FUMER** dans la zone où vous travaillez au risque d'avaler des particules contaminées au plomb. Toute personne ayant travaillé dans cette zone doit se laver et se nettoyer AVANT de manger, boire ou fumer. La nourriture, les boissons ou les cigarettes ne doivent pas être entreposées dans la zone de travail au risque d'être contaminées.

Protection de l'environnement

- Enlevez la peinture de manière à dégager le moins de sciure possible.
- Les pièces où la peinture est enlevée doivent être protégées par des bâches en plastique d'une épaisseur de 4 mm.
- Le ponçage doit être effectué de manière à éviter de laisser échapper de la sciure de ponçage en dehors de la zone de travail.

Nettoyage et élimination des déchets

- Toutes les surfaces de la zone de travail doivent être passées à l'aspirateur et nettoyées entièrement tous les jours durant la période des travaux de ponçage. Le sac de l'aspirateur doit être changé fréquemment.
- Les bâches en plastique doivent être rassemblées et éliminées avec les copeaux de sciure et les débris du ponçage. Ils doivent être placés dans un sac poubelle fermé pour la collecte régulière des ordures. Pendant le nettoyage, les enfants et les femmes enceintes doivent être tenus à l'écart de la zone de travail.
- Les jouets, le mobilier et les ustensiles lavables doivent tous être lavés avant toute nouvelle utilisation.

Moteur

Assurez-vous que la tension électrique du lieu correspond à celle indiquée sur la plaque signalétique de l'outil. Une tension plus basse entraînerait une perte de puissance et une surchauffe de l'outil. Tous les outils STANLEY sont testés en usine; sic et outil ne fonctionne pas, vérifiez l'alimentation électrique.

Utilisation d'un cordon prolongateur

Assurez-vous que le cordon est en bon état avant de l'utiliser. Utilisez toujours un cordon prolongateur dont la capacité et la longueur sont adaptées à l'outil – c'est-à-dire pouvant supporter l'appel de courant de l'outil. L'utilisation d'un cordon prolongateur de capacité insuffisante causerait une baisse de tension de la ligne, entraînant une perte de puissance et une surchauffe.

Consignes de sécurité spécifiques

- **Évitez tout contact prolongé avec la poussière soulevée par l'outil provenant du ponçage, du sciage, du meulage, du perçage ou de tout autre activité de construction. Portez des vêtements de protection et nettoyez les parties exposées du corps à l'eau savonneuse.** Empêchez la poussière de pénétrer dans votre bouche, dans vos yeux ou de se déposer sur la peau pour éviter l'absorption de produits chimiques nocifs.



Attention! L'utilisation de cet outil peut générer et/ou dégager des poussières pouvant irriter ou affecter de manière

permanente le système respiratoire ou provoquer d'autres blessures. Utilisez toujours un masque respiratoire protégeant contre la poussière homologué par la NIOSH/MSHA. Dirigez les particules à l'opposé du visage et du corps.



Mise en garde! Portez un dispositif de protection auditive durant l'utilisation. Sous certaines conditions et pendant toute la durée de l'utilisation, le bruit émanant de cet appareil pourrait contribuer à la perte d'audition.



Attention!

- Portez toujours des lunettes et un masque de protection.
- Nettoyez votre outil périodiquement.

Sécurité des autres

- Cet outil n'est pas fait pour être utilisé par des personnes (y compris les enfants) avec des capacités physiques, sensorielles ou mentales réduites, ou un manque d'expérience et de connaissances, sauf si elles bénéficient, par l'intermédiaire d'une personne responsable de leur sécurité, d'une supervision ou d'instructions concernant l'utilisation de l'appareil.
- Les enfants doivent être surveillés pour s'assurer qu'ils ne jouent pas avec l'appareil.

Risques résiduels

Il peut y avoir d'autres risques résiduels supplémentaires quand vous vous servez de l'outil, qui ne sont peut-être pas mentionnés dans les consignes de sécurité ci-incluses. Ces risques peuvent être dus à un mauvais usage, une utilisation trop prolongée etc. Même en appliquant les règles de sécurité et en mettant en place les dispositifs de sécurité, certains risques résiduels ne peuvent pas être complètement éliminés. Ceux-ci comprennent :

- Se blesser en touchant les parties tournantes / mobiles.
- Se blesser en changeant les pièces, les lames ou les accessoires.
- Se blesser en travaillant trop longtemps avec un outil. Quand vous vous servez d'un outil pendant de longues périodes pensez à faire des pauses régulières.
- Perte de l'acuité auditive.
- Problèmes de santé dus à l'inhalation de la poussière produite par l'action de forage de votre outil (exemple : travail sur du bois, plus particulièrement le chêne, le hêtre et le MDF.)

Vibration

The declared vibration emission values stated in the technical data and the declaration of conformity have been measured in accordance with a standard test method provided by EN 60745 and may be used for comparing one tool with another. The declared vibration emission value may also be used in a preliminary assessment of exposure.

Warning! The vibration emission value during actual use of the power tool can differ from the declared value depending on the ways in which the tool is used. The vibration level may increase above the level stated.

When assessing vibration exposure to determine safety measures required by 2002/44/EC to protect persons regularly using power tools in employment, an estimation of vibration exposure should consider, the actual conditions of use and the way the tool is used, including taking account of all parts of the operating cycle such as the times when the tool is switched off and when it is running idle in addition to the trigger time.

Étiquettes apposées sur l'outil

L'étiquette apposée sur votre outil peut contenir les symboles suivants:



Lire le manuel d'instructions

Hz Hertz

W Watts

min minutes

~ Courant alternatif

— Courant continu

V Volts

A Ampères

n_0 Vitesse à vide



..... Construction de classe II



..... Borne de terre



..... Symbole d'alerte de sécurité



.../min.. Rotations par minute

Position of date barcode

Le code de la date, comprenant aussi l'année de fabrication, est imprimé sur le boîtier de l'outil.

Exemple:

2014 XX JN
Année de fabrication

Sécurité électrique



Cet outil est doublement isolé; par conséquent, aucun câble de mise à la terre n'est nécessaire. Vérifiez si l'alimentation mentionnée sur la plaque signalétique de l'appareil correspond bien à la tension présente sur le lieu.



Attention! Si le câble d'alimentation est endommagé, il doit être remplacé par le fabricant, par un centre de réparation Stanley agréé ou par un électricien qualifié, de façon à éviter les dommages matériels et corporels. En cas de remplacement du câble d'alimentation par un électricien qualifié mais non agréé par Stanley, la garantie ne sera pas valable.

En cas de remplacement du câble d'alimentation par un électricien qualifié mais non agréé par Stanley, la garantie ne sera pas valable.

Caractéristiques (FIG. A)

1. Bouton de verrouillage pour un ponçage en continu
2. Orifice d'évacuation de la poussière
3. Poignée à orientation réglable
4. Capot en aluminium
5. Bouton de réglage d'alignement de la bande
6. Bande abrasive
7. Levier de tension de la bande

Réglages



Attention! Pour empêcher tout fonctionnement accidentel, éteignez et débranchez la ponceuse avant d'effectuer les opérations suivantes. Le non respect de cette consigne pourrait causer des blessures graves.

3 Positionner la poignée (FIG. B1 et B2)

Le mécanisme de verrouillage situé sur le côté de la poignée peut être relâché pour permettre de déplacer la poignée. Pour régler la poignée, tirez sur le levier de verrouillage (FIG. B1) et placez la poignée sur la position souhaitée (FIG. B2). Lorsque la poignée est en position, appuyez sur le levier de verrouillage pour la maintenir en position.

2 Positionner le capot de la bande abrasive (FIG. C et D)

La ponceuse à bande est équipée d'un capot en aluminium pour la bande abrasive, placé à l'avant. Lorsque la poignée est en position relevée, le capot peut être soulevé comme illustré dans la FIG. C (Flèche 1) et verrouillé dans cette position pour:

- a. Améliorer l'accessibilité des espaces confinés.
- b. Poncer en utilisant un rouleau d'un diamètre plus petit à l'avant (le capot en aluminium en position "basse" rend normalement cette action impossible).
- c. Exposer la partie supérieure de la bande et permettre un ponçage plus polyvalent (FIG. D).

Pour abaisser le capot de la bande abrasive, saisissez la languette sur le côté, puis déplacez-la légèrement dans le sens indiqué comme le montre la FIG. C (Flèche 2) et remettez-la dans sa position de blocage.

Remarque: Le capot de la bande de la bande abrasive ne peut être verrouillé dans sa position levée que si la poignée se trouve dans la position relevée.



Attention! La bande abrasive est exposée lorsque le capot est levé. Redoublez de prudence lors de ce mode de fonctionnement.

Réglage de l'alignement de la bande abrasive (FIG. E)

Positionnez la ponceuse tête en bas (FIG. E), tenez-la fermement d'une main, démarrez le moteur et relâchez l'interrupteur aussitôt après avoir observé l'alignement de la bande abrasive. Si la bande abrasive se déplace vers l'extérieur, tournez le bouton de réglage d'alignement dans le sens horaire et dans le sens antihoraire si la bande se déplace vers l'intérieur. La durée de vie de la bande est fortement accrue si vous réglez régulièrement l'alignement de la bande. (FIG. E).

Remplacement de la bande abrasive (FIG. F et G)

Attention! Pour empêcher tout fonctionnement accidentel, éteignez et débranchez la ponceuse avant de remplacer la bande abrasive. Tirez le levier comme le montre la FIG. 5 pour relâcher la tension de la bande abrasive. Retirez la bande de ponçage de ses deux rouleaux. Mettez la nouvelle bande de ponçage de 3" x 21" (76 x 533mm) en place sur les rouleaux avant et arrière (FIG. 6). Vérifiez que les flèches de la bande de ponçage et celles de votre ponceuse pointent dans la même direction. Poussez le levier vers l'arrière pour tendre la bande de ponçage.

Recueil des poussières (FIG. H)



Attention! Pour empêcher tout fonctionnement accidentel, éteignez et débranchez la ponceuse avant d'installer le sac à poussières.

De la poussière et des petites particules sont produites lors de l'utilisation de la ponceuse à bande. Il est important d'utiliser un sac à poussières. Installez le sac à poussières en glissant la retenue du sac sur l'orifice d'évacuation de la poussière de la ponceuse comme le montre la FIG. 7. Pour vider le sac à poussières, retirez-le de la ponceuse et videz-le dans une poubelle.



Attention! Risque d'incendie. La poussière produite lors du ponçage de certains revêtements de surface (polyuréthane, huile de lin, etc.) peut s'enflammer spontanément à l'intérieur du sac à poussières ou ailleurs et causer un incendie. Pour réduire ce risque, videz le sac fréquemment et suivez attentivement les recommandations de ce manuel et du fabricant.



Attention! Risque d'incendie. Ne pas utiliser le sac à poussière ou un aspirateur lors du ponçage de surfaces métalliques car ce type de travail produit des étincelles. Portez des lunettes de protection et un masque anti-poussières. A cause du risque d'incendie, n'utilisez pas la ponceuse à bande pour poncer les surfaces en magnésium. N'utilisez pas votre ponceuse pour un ponçage humide.

Fonctionnement

Utilisation de votre ponceuse à bande (FIG. I)

Lorsque vous poncez, maintenez toujours fermement la ponceuse à bande à deux mains comme le montre la FIG. I.

Remarque: La poignée de la ponceuse est réglable sur trois positions comme mentionné plus haut.

Interrupteur (FIG. J et K)

Pour allumer votre ponceuse à bande, appuyez sur l'interrupteur marche/arrêt comme le montre la FIG. J. Pour éteindre votre ponceuse à bande, relâchez l'interrupteur marche/arrêt.

Pour un fonctionnement en continu, appuyez sur l'interrupteur marche/arrêt puis appuyez sur le bouton de verrouillage (FIG. K) et relâchez l'interrupteur marche/arrêt. Pour éteindre la ponceuse à bande, appuyez sur l'interrupteur marche/arrêt puis relâchez le bouton de verrouillage. Relâchez l'interrupteur marche/arrêt.

Conseils utiles

- Mettez la ponceuse à bande en marche avant de la mettre en contact avec la pièce à usiner et soulevez-la de la pièce avant de l'éteindre.

- Tenez toujours votre ponceuse à bande avec les deux mains.
- Lorsque c'est possible, fixez la pièce à usiner sur un établi ou une surface stable.
- Poncez toujours avec le grain qui convient au travail à effectuer. La liste donnée ci-après suggère le type de grain à utiliser selon les matériaux.

de matériaux	Grains abrasifs et types
Bois plein	80
Placage	150
Aggloméré	60/80
Plastique	100
Acier	80 (retirez le sac à poussières)
Décapage de peinture	40/60
Balsa	100
Acrylique	100

Nettoyage et entretien

Votre outil a été conçu pour fonctionner sur une longue période de temps avec un minimum d'entretien. Un fonctionnement continu satisfaisant dépend d'un nettoyage et d'un entretien soigneux et régulier.

N'exercez pas une pression excessive sur votre ponceuse lorsque vous poncez. Trop de pression entraîne une surcharge et peut endommager la pièce à usiner ou le moteur. Si votre ponceuse devient trop chaude, faites-la tourner à vide pendant 2 minutes. Assurez-vous que les fentes d'aération sont toujours propres et dégagées. Pour nettoyer votre ponceuse à bande, procédez comme suit:



Attention! Pour empêcher tout fonctionnement accidentel, éteignez et débranchez la ponceuse avant d'effectuer les opérations suivantes. Le non-respect de ces consignes peut causer des blessures corporelles graves.

- Utilisez un pinceau sec et propre pour nettoyer les fentes d'aérations et les buses.
- Nettoyez le boîtier à l'aide d'un chiffon propre et humide (n'utilisez pas de solvants, d'essence ou de térébenthine).



Important! Pour assurer la SECURITE et la FIABILITE de cet outil, les réparations, l'entretien et le réglage (autres que ceux mentionnés dans ce manuel) doivent être effectués par un centre de réparations agréé ou qualifié, en utilisant toujours des pièces de rechange identiques.

Accessoires

Les performances d'un outil électrique dépendent des accessoires utilisés. Les accessoires STANLEY sont conçus selon des normes de haute qualité pour améliorer les performances de votre outil. En utilisant ces accessoires, vous obtiendrez les meilleurs résultats de votre outil.

Utilisez des bandes abrasives de 3" x 21" (76 x 533mm). Les accessoires recommandés pour cet outil sont disponibles auprès de votre revendeur local ou un centre de réparations agréé contre un supplément.

Remarques

- Chez STANLEY notre politique est l'amélioration constante de nos produits et en conséquence, nous nous réservons le droit de modifier les spécifications du produit sans avis préalable.
- Les équipements et les accessoires standard peuvent varier suivant les pays.
- Les spécifications du produit peuvent varier suivant les pays.
- La gamme complète de produits n'est peut-être pas proposée dans tous les pays. Contactez vos représentants STANLEY locaux pour la disponibilité des produits de la gamme.

Protection de l'environnement



Collecte sélective. Ne pas jeter cet appareil avec les ordures ménagères.

Si vous devez remplacer un appareil Stanley ou si vous ne l'utilisez plus, ne le jetez pas avec les ordures ménagères, mais dans les conteneurs de collecte sélective.



La collecte sélective des produits et des emballages usagés permet de recycler et de réutiliser leurs matériaux. La réutilisation de matériaux recyclés aide à protéger l'environnement contre la pollution et à réduire la demande en matières premières.

Les réglementations locales peuvent proposer la collecte sélective des appareils électriques ménagers, dans des déchetteries municipales ou par le revendeur lorsque vous achetez un nouvel appareil. Stanley dispose d'installations pour la collecte et le recyclage des produits Stanley en fin de vie. Pour profiter de ce service, veuillez rapporter votre appareil auprès d'un centre de réparation agréé qui se chargera de le collecter en notre nom.

Pour connaître l'adresse d'un centre de réparation agréé près de chez vous, contactez votre distributeur Stanley à

l'adresse indiquée dans ce manuel, ou consultez la liste des centres de réparation agréés Stanley et tout renseignement complémentaire sur notre service après-vente sur le site internet à l'adresse: www.2helpU.com.

Spécifications

STBS720	
Puissance	720W
Tension	220-240V
Fréquence	50/60Hz
Vitesse à vide	800/min

Informations sur le service après-vente

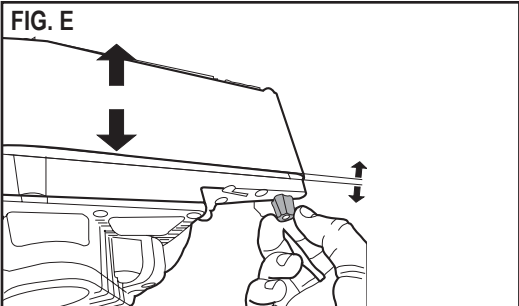
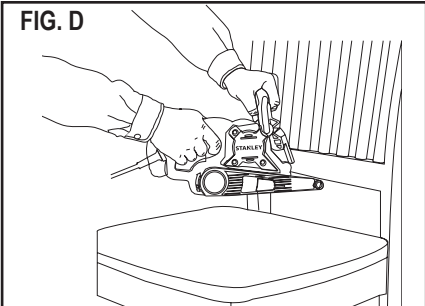
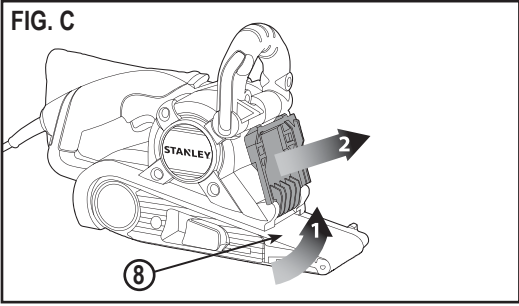
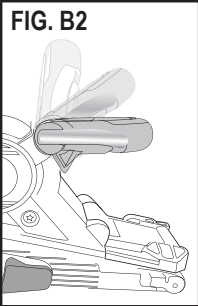
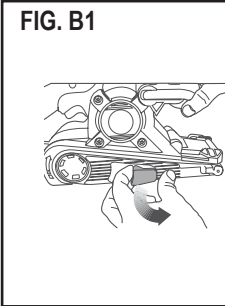
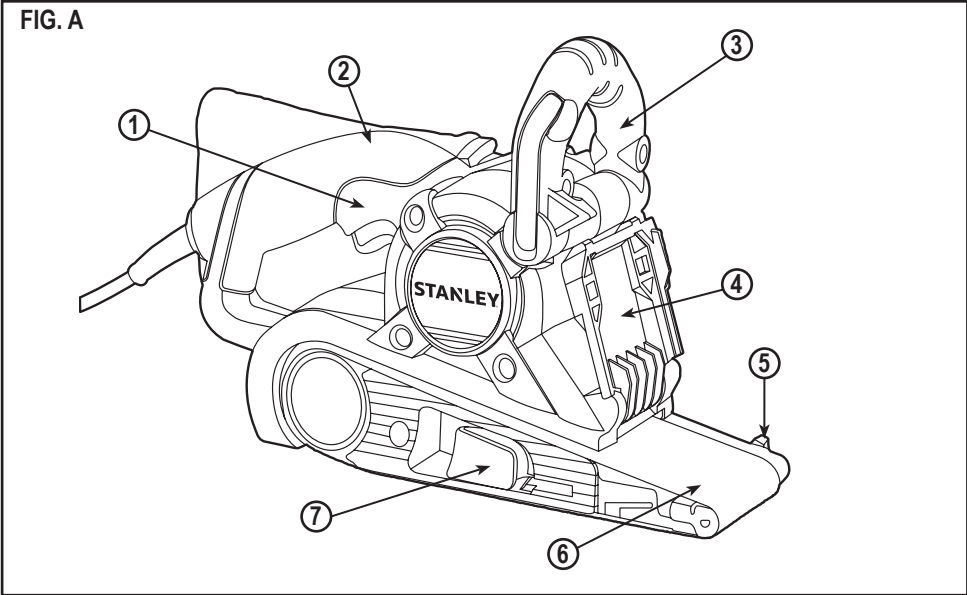
STANLEY offre un large réseau de centres de réparations appartenant à la société ou agréés partout en. Tous les centres STANLEY sont dotés de personnel qualifié pour assurer aux clients une qualité et une fiabilité de service dans la réparation de leurs outils électriques. Que vous ayez besoin de conseils techniques, de réparations ou de pièces de rechange d'origine, il suffit de contacter le centre STANLEY le plus proche.

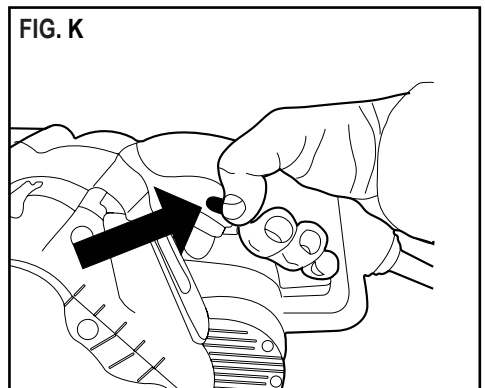
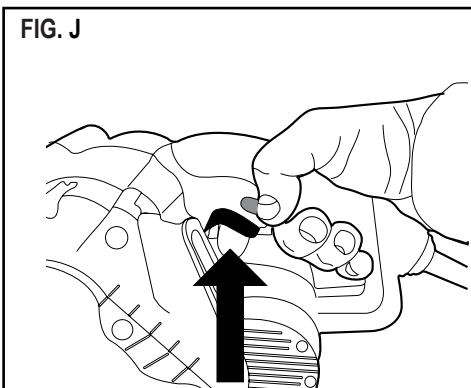
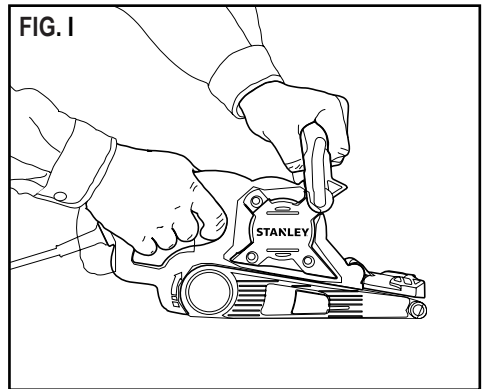
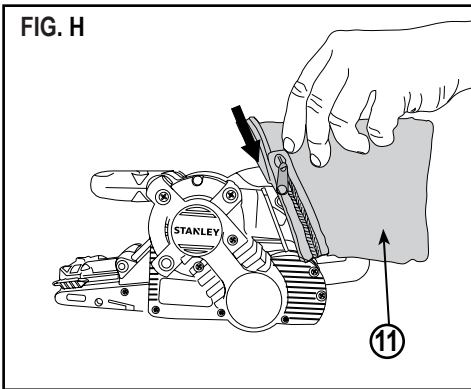
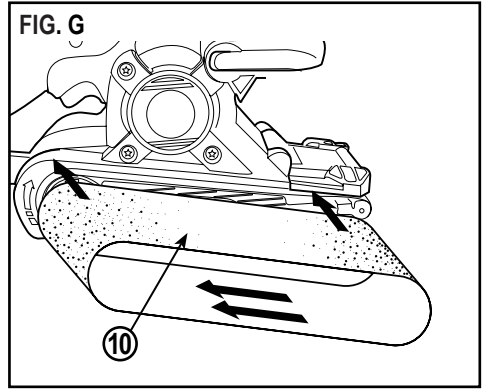
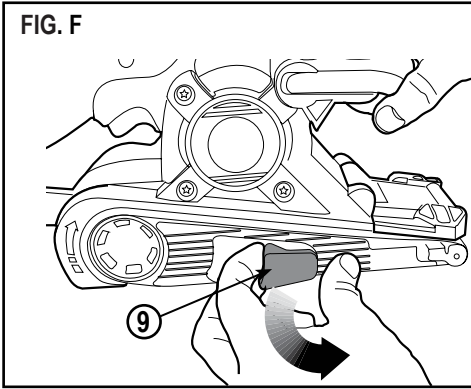
Garantie deux

Si votre appareil STANLEY s'avère défectueux en raison d'un vice de matériau ou de fabrication dans les 24 mois à compter de sa date d'achat, STANLEY garantit le remplacement gratuit de toute pièce défectueuse ou – à notre entière discrétion – le remplacement gratuit de l'appareil, à condition que:

- L'appareil n'ait pas été utilisé avec négligence et qu'il ait été utilisé en suivant les instructions contenues dans ce manuel.
- L'appareil ait été soumis à une usure normale;
- Aucune réparation n'ait été effectuée par du personnel non autorisé;
- Une preuve d'achat soit fournie.
- L'appareil STANLEY soit retourné complet, avec l'ensemble de ses composants originaux.

Pour avoir recours à la garantie, contactez votre revendeur ou consultez l'emplacement du centre de réparation agréé Stanley le plus proche dans le catalogue, ou contactez le service clientèle Stanley à l'adresse indiquée dans ce manuel. Une liste des centres de réparation agréés Stanley et tout détail complémentaire concernant notre service après-vente sont à votre disposition sur notre site internet : www.stanleytools.com





NÃO DEVOLVA ESTE PRODUTO À LOJA, primeiro contacte o Escritório local STANLEY ou o centro de serviço autorizado mais próximo.

Regras gerais de segurança



Atenção! Ler e compreender todas as instruções. Se não seguir todas as instruções abaixo, pode resultar em choque elétrico, incêndio e/ou ferimentos graves.

GUARDE ESTAS INSTRUÇÕES

Instruções de segurança

Aviso de segurança geral de ferramenta elétrica



Aviso! Ler e compreender todas as instruções. A falha em seguir todas as instruções listadas em baixo podem resultar em choque, incêndio e/ou grave lesão pessoal.

Guarde todos estes avisos para futura consulta.

O termo “ferramenta elétrica” em todos os avisos em baixo listados refere-se aos meios operados (por cabo) da ferramenta elétrica ou ferramenta elétrica alimentada a bateria (sem fios).

1. Segurança de área de trabalho

- Manter a área de trabalho limpa e bem iluminada.** Áreas desordenadas ou escuras são propícias a acidentes.
- Não operar as ferramentas elétricas em atmosferas explosivas, tais como na presença de materiais, gases ou poeiras.** Ferramentas elétricas podem causar faíscas que acendam a poeira ou fumos.
- Manter as crianças e transeuntes longe quando operar uma ferramenta elétrica.** Distrações podem-nos fazer perder o controlo.

2. Segurança elétrica

- As fichas das ferramentas elétricas devem ser iguais às das tomadas. Nunca modifique de qualquer forma a ficha. Não usar quaisquer fichas com ferramentas elétricas com ligação à terra (terra).** Fichas não modificadas e tomadas condizentes reduziram o risco de choque elétrico.
- Evite o contacto físico com superfícies ligadas à terra tais como tubos, radiadores, conteúdos e frigoríficos.** Existe um risco maior de choque elétrico se o seu corpo estiver ligado à terra ou chão.
- Não exponha as ferramentas elétricas a condições chuvosas ou húmidas.** Água que entre numa ferramenta elétrica aumentará o risco de choque elétrico.

- Não abuse do fio. Nunca use o fio para carregar, puxar ou desligar a ferramenta elétrica. Mantenha o fio longe do calor, óleo, pontas afiadas ou partes móveis.** Fios danificados ou entrelaçados aumentam o risco de choque elétrico.
- Quando operar uma ferramenta elétrica no exterior, use um fio de extensão adequado para uso exterior.** O uso de um fio apropriado para uso exterior reduz o risco de choque elétrico.
- Se o uso de uma ferramenta elétrica num local húmido não for inevitável, use uma fonte protegida de dispositivo de corrente residual (DCR).** O uso de DCR reduz o risco de choque elétrico. Nota: O termo «Dispositivo de Corrente Residual (DCR)» pode ser substituído por «Interruptor do Circuito de Falha de Terra» (ICFT)» ou por «Disjuntor do Circuito de Fuga de Terra (DCFT)».

3. Segurança pessoal

- Esteja atento, tenha atenção ao que está a fazer e use o senso comum quando operar uma ferramenta elétrica. Não use ferramentas elétricas quando estiver cansado ou sob influência de drogas, álcool ou medicação.** Uma desatenção enquanto opera uma ferramenta elétrica pode causar graves danos pessoais.
- Use equipamento de proteção pessoal. Use sempre proteção ocular.** Equipamento protetor tal como máscara de poeiras, calçado anti derrapagem, capacete, ou proteção auditiva usada para as condições apropriadas de poeiras, calçado anti derrapagem, capacete, ou proteção auditiva usada para as condições apropriadas reduzirá o risco de lesões pessoais.
- Previna arranque indesejado. Assegure-se que o interruptor está na posição “off” antes de ligar a fonte de energia e/ou pilhas, ao pegar ou carregar a ferramenta.** Carregar ferramentas elétricas com o seu dedo no interruptor ou alimentar ferramentas elétricas que têm o interruptor ligado propiciam os acidentes.
- Remova qualquer chave de ajuste ou chave antes de ligar a ferramenta elétrica.** Uma chave deixada presa à peça em rotação pode resultar em lesões pessoais.
- Não se exceda. Mantenha sempre a posição de pés adequada e equilíbrio.** Isto permite um melhor controlo da ferramenta elétrica em situações inesperadas.
- Vista-se apropriadamente. Não use roupas largas ou joias. Mantenha o seu cabelo, vestuário e luvas longe das partes em movimento.** Vestuário largo, joias ou cabelo comprido podem ficar presos nas peças em movimento.
- Se são fornecidos dispositivos para a coleção ou extração de poeiras e instalações de coleção, assegure-se que estes estão ligados e são usados apropriadamente.** Uso da recolha de poeira pode reduzir o risco de perigos relacionados com a poeira.

4. Uso e cuidado da ferramenta elétrica

- a. **Não force a ferramenta elétrica. Use a ferramenta elétrica correta para a sua tarefa.** A ferramenta elétrica correta fará o trabalho melhor de forma mais segura à medida para a qual foi desenhada.
 - b. **Não use a ferramenta elétrica se o interruptor não a ligar ou desligar.** Qualquer ferramenta elétrica que não possa ser controlada com o interruptor é perigosa e deve ser reparada.
 - c. **Desligue a ficha da fonte de energia e/ou pilha da ferramenta elétrica antes de fazer qualquer ajuste mudar acessórios ou guardar as ferramentas elétricas.** Tais medidas preventivas reduzem o risco de ligar a ferramenta elétrica acidentalmente.
 - d. **Guarde ferramentas elétrica inativas fora do alcance das crianças e não permita a pessoas não familiarizadas com as ferramentas elétricas a operar a ferramenta elétrica.** Ferramentas elétricas são perigosas nas mãos de utilizadores não preparados.
 - e. **Reveja as ferramentas elétricas. Verifique se há desalinhamento ou ligação das peças móveis, se as peças quebraram e quaisquer outras condições que possam afetar a operação das ferramentas elétricas.** Muitos acidentes são causados por ferramentas elétricas mal revistas.
 - f. **Mantenha as ferramentas de corte afiadas e limpas.** Ferramentas de corte devidamente revistas com superfícies de corte afiadas têm menos probabilidades de ligar e mais fáceis de controlar.
 - g. **Utilize a ferramenta elétrica, os acessórios e as brocas, etc., de acordo com estas instruções e tendo em atenção as condições de trabalho e o trabalho a ser executado.** A utilização de ferramenta elétrica para diferentes operações das indicadas pode resultar numa situação perigosa.
5. **Manutenção**
- a. **Mantenha a sua ferramenta elétrica revista por uma pessoa especializada de reparações usando só peças de substituição idênticas.** Isto assegurará que a segurança da ferramenta elétrica está mantida.
 - **Mantenha a ferramenta elétrica em superfícies aderentes isoladas quando executar uma operação em que o acessório de corte possa entrar em contacto com fios escondidos ou com o seu próprio cabo.** O acessório de corte ao entrar em contacto com um fio «sob tensão» pode expor partes de metal da ferramenta elétrica «sob tensão» e provocar um choque elétrico no operador.
 - **Utilize grampos ou outra maneira prática de segurar e apoiar a peça de trabalho numa plataforma estável.** Segurar a peça na mão ou contra o seu corpo torna-a instável e pode provocar perda de controlo.



Atenção! Preste especial cuidado quando lixar algumas madeiras (por exemplo, faia, carvalho) e metal que pode produzir poeira tóxica. Use uma máscara de pó concebida especificamente para proteção contra o pó e fumos e garantir que as pessoas dentro ou que entrem na área de trabalho também ficam protegidas.

Instruções de segurança adicionais para lixadeiras

Lixar

Tinta à base de chumbo

Lixar tinta à base de chumbo NÃO É RECOMENDADO devido à dificuldade de controlar o pó contaminado. O maior perigo de intoxicação por chumbo é para crianças e mulheres grávidas. Uma vez que é difícil identificar ou não uma tinta que contém chumbo sem uma análise química, recomendamos as seguintes precauções ao lixar qualquer pintura:

Segurança Pessoal

- Nenhuma criança ou mulher grávidas devem entrar na área de trabalho quando se está a lixar tinta até que se complete a limpeza.
- Uma máscara de pó ou respirador deve ser usada por todas as pessoas que entram na área de trabalho. O filtro deve ser substituído diariamente ou sempre que o utente tem dificuldade em respirar.

Nota: Somente aquelas máscaras de pó adequados para trabalhar com pó de tinta com chumbo poeiras e fumos devem ser usadas. As máscaras de tinta comuns não proporcionam proteção. Consulte o seu revendedor local de hardware sobre a máscara (aprovada NIOSH) adequada.

- COMER, BEBER ou FUMAR NÃO deverá ser feito na área de trabalho para evitar a ingestão de partículas de tinta. Trabalhadores devem lavar-se e limpar ANTES de comer, beber ou fumar. Artigos de comer, beber ou fumar não devem ser deixados na área de trabalho onde o pó irá assentar sobre eles.

Segurança do ambiente

- A tinta deve ser removida de maneira a minimizar a quantidade de pó gerada.
- As áreas onde ocorre a remoção da tinta deverão estar hermeticamente fechadas com plástico de 4 mm de espessura.
- Lixar deverá ser feito de maneira a reduzir o trilho de pó da tinta fora da área de trabalho.

Limpeza E Eliminação

- Todas as superfícies na área de trabalho deverão ser aspiradas e minuciosamente limpas diariamente para a duração do projeto de lixar. Os filtros do aspirador devem ser mudados com frequência.

- Os panos de plástico que caem devem ser recolhidos e eliminados com todas as aparas de pó ou outros resíduos removidos. Devem ser colocados em recipientes de lixo vedados e eliminados de acordo com os procedimentos de recolha de lixo regular. Durante a limpeza, as crianças e as mulheres grávidas devem ser mantidas longe da área imediata de trabalho.
- Todos os brinquedos, móveis laváveis e utensílios utilizados por crianças devem ser lavadas minuciosamente antes de serem utilizadas de novo.

Motor

Certifique-se de que a sua fonte de alimentação corresponde com a marcação da placa de identificação. Esta informação está impressa na placa de identificação. Tensão inferior causará perda de potência e pode resultar em sobreaquecimento. Todas as ferramentas STANLEY são testadas em fábrica, se esta ferramenta não funcionar, verifique o fornecimento de energia.

Utilização de cabos de extensão

Certifique-se de que o cabo de extensão está em boas condições antes de utilizar. Utilize sempre os cabos de extensão com a dimensão adequada com a ferramenta – ou seja, a dimensão adequada do fio para vários comprimentos do cabo e pesado o suficiente para transportar a corrente a ferramenta irá extrair. Utilize um cabo de dimensão inferior vai causar uma queda na tensão de linha resultando em perda de potência e superaquecimento.

Regras específicas de segurança

- **Evite o contacto prolongado com o pó da lixadora, serragem, retificação, perfuração e outras atividades de construção. Use roupas de proteção e lave as áreas expostas com sabão e água.** Permitindo que o pó penetre na sua boca, olhos ou na pele pode provocar a absorção de substâncias químicas nocivas.



Atenção! A utilização desta ferramenta pode gerar e/ou espalhar pó, o que pode causar lesões respiratórias graves e permanentes ou outra. Utilize sempre proteção respiratória NIOSH/OSHA aprovada para a exposição ao pó. Dirija as partículas para longe da face e corpo.



Atenção! Use proteção auditiva adequada durante a utilização. Sob algumas condições e tempo de utilização, o ruído deste produto pode contribuir para a perda de audição.



Atenção!

- Use sempre proteção ocular e respiratória.
- Limpe a sua ferramenta periodicamente.

Segurança de outras pessoas

- Este aparelho não se destina a ser utilizado por pessoas (incluindo crianças) com deficiência física, sensorial ou mental, ou falta de experiência e conhecimento, a não ser que seja prestada supervisão ou instruções relativas à utilização do aparelho por parte de uma pessoa responsável pela sua segurança.
- As crianças deverão ser vigiadas de modo a garantir que não brincam com o aparelho.

Riscos residuais

Podem surgir riscos residuais adicionais quando utiliza a ferramenta que podem não estar incluídos nos avisos de segurança anexos. Estes riscos podem ocorrer da má utilização, utilização prolongada, etc. Mesmo com a aplicação das regras de segurança relevantes e a implementação de dispositivos de segurança, certos riscos residuais não podem ser evitados. Estes incluem:

- Lesões causadas por tocar em peças rotativas/móveis.
- Lesões causadas quando substitui quaisquer peças, lâminas ou acessórios.
- Lesões causadas por utilização prolongada de uma ferramenta. Quando utiliza uma ferramenta por períodos prolongados, certifique-se de que faz intervalos regulares.
- Diminuição de audição.
- Os perigos de saúde causados por respirar a poeira desenvolvida quando utiliza a sua ferramenta (por exemplo: trabalhar com madeira, especialmente carvalho, faia e MDF.)

Vibration


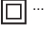





The declared vibration emission values stated in the technical data and the declaration of conformity have been measured in accordance with a standard test method provided by EN 60745 and may be used for comparing one tool with another. The declared vibration emission value may also be used in a preliminary assessment of exposure.

Warning! The vibration emission value during actual use of the power tool can differ from the declared value depending on the ways in which the tool is used. The vibration level may increase above the level stated.

When assessing vibration exposure to determine safety measures required by 2002/44/EC to protect persons regularly using power tools in employment, an estimation of vibration exposure should consider, the actual conditions of use and the way the tool is used, including taking account of all parts of the operating cycle such as the times when the tool is switched off and when it is running idle in addition to the trigger time.

Etiquetas na ferramenta

A etiqueta na sua ferramenta pode incluir os seguintes símbolos:

	Ler Manual de Instruções	Hz Hertz	 Classe II Construção
	Usar proteção ocular	W Watts	 Símbolo de Aviso de
	Usar proteção auditiva	min minutos	 Terminal de Ligação à Terra
V Volts		 /min... Rotações ou Reciprocidades por minuto
A Amperes		----- Corrente Direta	n_0 Velocidade em vazio	

Posição do código de barras de dados

O código de Dados, que também inclui o ano de fabrico, é impresso na carcaça.

Exemplo:

2014 XX JN
Ano de Fabrico

Segurança elétrica



A sua ferramenta é duplamente isolada; por isso não necessita de fio de terra. Verifique sempre que a voltagem principal corresponde à placa sinalética.



Aviso! Se o fio de alimentação está danificado, deverá ser trocado pelo fabricante, Centro de Serviços autorizado da STANLEY ou uma

peessoa igualmente qualificada de forma a evitar danos ou lesões. Se o fio de alimentação for trocado por uma pessoa igualmente qualificada, mas não autorizada pela STANLEY, a garantia não será válida.

Características (FIG. A)

1. Bloqueie o interruptor para utilização contínua.
2. Tubo de extração de pó
3. Manipulo modo ajustável
4. Cobertura de alumínio
5. Botão de ajuste do percurso da correia
6. Correia de lixa
7. Ação única de alavanca de desbloqueio da correia

Ajustes



Atenção! Para evitar uma operação acidental, desligue e retire a ficha da lixadora da tomada antes de executar as seguintes operações. Não fazer isto poderá resultar em ferimentos graves pessoais.

3 Posicionar manipulo (Fig. B1 e B2)

Um mecanismo de bloqueio no lado do manipulo pode ser solto para permitir que se mova o manipulo. Para ajustar o manipulo, puxe o braço de bloqueio (Fig. B1) e mova o manipulo para a posição desejada (Fig. B2). Assim que o manipulo estiver na posição, empurre o braço de bloqueio para bloquear o manipulo na posição.

2 Posicionar cobertura da correia (Fig. C e D)

A correia da lixadora tem uma cobertura da correia de lixa em alumínio à frente. Quando o manipulo está posicionado na sua posição mais elevada, esta cobertura pode ser levantada como mostrado na Fig. C (Seta 1) e bloqueada nesta posição para:

- a. Melhorar a acessibilidade para áreas estreitas.
- b. Permitir que a utilização do rolo frontal de diâmetro inferior para lixar com (normalmente a cobertura de alumínio impede isto quando na posição «baixo»).
- c. Expor a parte superior da correia para lixar mais versátil (Fig. D).

Para descer a cobertura da correia, segure a flange de lado e mova-a ligeiramente na direção mostrada na Fig. C (Seta 2) e devolva-o à sua posição.

Nota: A cobertura da correia de lixa não pode ser bloqueada na sua posição levantada, a menos que o manipulo suspenso esteja na posição mais elevada.



Atenção! A correia de lixa fica exposta quando a cobertura da correia está levantada. Tenha cuidado extra quando trabalhar neste modo.

Ajustar o percurso da correia de lixa (Fig. E)

Rode a máquina de cima para baixo (Fig. E), segure-a com firmeza com uma mão, inicie o motor e solte o interruptor de imediato depois de observar o percurso da correia de lixa. Se a correia abrasiva se mover para fora, rode o botão de ajuste do percurso no sentido horário e no sentido anti-horário se a correia se mover para o interior. A durabilidade da correia será muito maior se manter o percurso do ajuste devidamente configurado (Fig. E).

Alterar a correia de lixa (Fig. F e G)

Atenção! Para evitar uma operação acidental, desligue e retire a ficha da lixadora da tomada antes de executar as seguintes operações. Puxe a alavanca mostrada na Fig. 5 para libertar a tensão na correia de lixa. Puxe a correia de lixa dos dois rolos. Coloque a nova correia de lixa 3" x 21" (76 x 533 mm) na posição nos rolos da frente e detrás (Fig. 6). Certifique-se que as setas na correia de lixa e na sua lixadora de correia estão a apontar na mesma direção. Empurre a alavanca para trás para tensão da correia de lixa.

Recolha de pó (Fig. H)



Atenção! Para evitar uma operação acidental, desligue e retire a ficha da lixadora da tomada antes de instalar o saco de pó.

Quando utilizar a sua lixadora de correia pó e areia são produzidos. É importante utilizar um saco de pó. Ligue o saco do pó fazendo deslizar a abertura de plástico do saco sobre a porta de exaustão de pó da lixadora como mostrado na Fig. 7. Para esvaziar o saco de pó, remova-o da lixadora e descompacte o saco sobre um recipiente do lixo.



Atenção! Perigo de incêndio. Pó de lixar recolhido dos revestimentos da superfície de lixar (poliuretano, óleo de linhaça, etc.) podem se auto-inflamar no saco de pó da lixadora ou noutra lugar e provocar um incêndio. Para reduzir o risco, esvazie o saco com frequência e siga com rigor o manual da lixadora e as instruções do fabricante.



Atenção! Perigo de incêndio. Quando trabalhar em superfícies de metal, não utilize o saco de pó ou um aspirador porque podem ser geradas faíscas. Usar óculos de proteção e uma máscara de pó. Devido ao perigo de incêndio não utilize a sua lixadora de correia para lixar superfícies de magnésio. Não utilize para lixa húmida.

Operação

Utilizar a sua lixadora de correia (Fig. I)

Segure sempre a lixadora de correia com firmeza e com as duas mãos enquanto lixar como mostrado na Fig. I.

Nota: que o manípulo suspenso da lixadora pode ser ajustado em três posições diferentes como discutido anteriormente.

Interruptor (Fig. J e K)

Para iniciar a sua lixadora de correia, solte o interruptor on/off (ligar/desligar), como mostrado na Fig. J. Para parar a sua lixadora de correia liberte o interruptor on/off (ligar/desligar).

Para o funcionamento contínuo, pressione o interruptor on/off (ligar/desligar), em seguida solte o botão de bloqueio (Fig. K) e liberte o interruptor on/off (ligar/desligar). Para parar a sua lixadora de correia, solte o interruptor on/off (ligar/desligar) para libertar o botão de bloqueio. Solte o interruptor on/off (ligar/desligar).

Sugestões úteis

- Inicie sempre a sua lixadora de correia antes de ela

esteja em contacto com a peça de trabalho e não a desligue até que tenha sido levantada da peça de trabalho.

- Segure sempre a sua lixadora de correia com as duas mãos.
- Onde for possível, aperte a peça de trabalho a uma bancada de trabalho ou a uma superfície resistente semelhante.
- Utilize a correia correta de lixa de grãos para a sua aplicação. O seguinte é uma lista sugerida de grãos de correia para utilizar com materiais diferentes.

Material	Grão correia
Madeira sólida	80
Folheada	150
Aglomerado	60/80
Plásticos	100
Aço	80 (remover saco de pó)
Remoção tinta	40/60
Madeira balsa	100
Acrílico	100

Cuidado da ferramenta e Manutenção

A sua ferramenta foi concebida para operar durante um longo período de tempo com um mínimo de manutenção. Um funcionamento satisfatório permanente depende de uma manutenção adequada da ferramenta e de uma limpeza regular.

Nunca aplique força excessiva quando utiliza a sua lixadora de correia. Demasiada força pode provocar uma sobrecarga e causar danos ao motor ou à peça de trabalho. Se a sua lixadora de correia ficar muito quente, trabalhe com ela sem carga durante 2 minutos. Mantenha sempre as aberturas de refrigeração do ar limpas. Para limpar a sua lixadora de correia, proceda como se segue:



Atenção! Para evitar uma operação acidental, desligue e retire a ficha da lixadora da tomada antes de executar as seguintes operações. Não fazer isto poderá resultar em ferimentos graves pessoais.

- Utilize um pincel de pintar seco para limpar as aberturas e tubos.

- Limpe os corpos utilizando um pano seco limpo (não utilize solventes, gases ou terebentina.)



Importante! Para garantir a **SEGURANÇA** e a **CONFIABILIDADE**, as reparações, manutenção e ajustes (exceto aqueles listados neste manual)

devem ser realizados por centros de serviços autorizados ou outros técnicos de serviço qualificados, utilizando sempre peças de substituição idênticas.

Acessórios

O desempenho da sua ferramenta depende do acessório utilizado. Os acessórios STANLEY foram fabricados para elevados padrões de qualidade e foram concebidos para melhorar o desempenho da sua ferramenta. Ao utilizar estes acessórios obterá o melhor da sua ferramenta.

Utilize apenas correias de lixa de 3" x 21" (76 x 533 mm). Os acessórios recomendados para utilizar com a sua ferramenta estão disponíveis a custo extra no seu revendedor local ou no centro de serviço autorizado.

Notas

- A política da STANLEY é um melhoramento contínuo dos nossos produtos e, como tal, reservamos o direito de alterar as características do produto sem aviso prévio.
- O equipamento standard e os acessórios podem variar por país.
- As características do produto podem diferir por país.
- A gama completa de produtos pode não estar disponível em todos os países. Contacte o seu revendedor STANLEY local para a disponibilidade da gama.

Protegendo o ambiente



Recolha separada. Este produto não deve ser descartado com o resto do lixo caseiro normal.

Se encontrar que um dia o seu produto Stanley precisa de substituição, ou se já não tem mais uso para si, não o descarte com o resto de lixo caseiro normal. Disponibilize este produto para recolha separada.



Recolha separada dos produtos usados e embalagens permite que os materiais sejam reciclados e usados de novo. Reutilizar materiais reciclados ajuda a prevenir poluição ambiental e reduz a necessidade de matéria-prima.

Leis locais podem fornecer recolha separada de produtos elétricos das casas, em sítios de resíduos municipais ou no vendedor quando você compra um novo produto. Stanley oferece uma instalação para a recolha e reciclagem de produtos Stanley uma vez que estes atingiram o fim da sua vida útil. Para desfrutar deste serviço por favor devolva o seu produto a qualquer agente autorizado de reparações que os recolherá em nosso nome.

Você pode verificar a localização do seu agente de reparações autorizado mais próximo contactando o seu escritório local Stanley no endereço indicado neste manual. Alternativamente, uma lista de agentes de reparações autorizados pela Stanley e detalhes completos dos nossos serviços pós-venda e contactos estão disponíveis na Internet em: www.2helpU.com

Especificações

	STBS720
Potência	720W
Tensão	220-240V
Frequência	50/60Hz
Velocidade sem carga	800/min

Serviços de informação

A STANLEY proporciona uma rede completa de filiais e locais de serviço autorizados da empresa em toda a Todos os Centros de Serviços STANLEY são equipadas com pessoal treinado para oferecer aos clientes um serviço de ferramentas elétricas confiável e eficiente. Se necessita de assessoria técnica, reparação ou peças de substituição originais de fábrica, contacte o local STANLEY mais próximo.

dois ano de garantia total

Se o seu produto STANLEY ficar defeituoso devido a materiais ou mão-de-obra defeituosos em 24 meses a contra da data da compra, STANLEY garante a substituição de todas as peças defeituosas sem custos – por nossa conta – substitui a unidade sem custos dado que:

- O produto não foi mal usado e foi usado de acordo com o manual de instruções.
- O produto foi sujeito a uso e desgaste justo;
- Não foram tentadas reparações feitas por pessoas não autorizadas;
- É fornecida um comprovativo de compra.
- O produto STANLEY é devolvido com todos os seus componentes originais.

Se quiser apresentar uma reclamação, contacte o seu vendedor ou verifique a localização do agente de reparações Stanley autorizado no catálogo ou contacte com o seu escritório local nos endereços indicados neste manual. Uma lista de agentes autorizados de reparação Stanley e detalhes completos dos nossos serviços pós-venda estão disponíveis na internet em:
www.stanleytools.com

حماية البيئة



فرز النفايات. يجب عدم وضع هذا المنتج مع النفايات المنزلية العادية.

إذا وجدت في يوم ما أنك بحاجة إلى استبدال منتج ستانلي، أو إذا لم تعد بحاجة إلى استخدامه، فلا تتخلص منه مع النفايات المنزلية. وقم بإتاحته للفرز.

يتيح فرز المنتجات المستخدمة وتغليفها بإعادة تدوير المواد واستخدامها مرة أخرى. حيث يساعد إعادة استخدام المواد المعاد تدويرها في منع التلوث البيئي ويقلل من الطلب على المواد الخام.



وقد تنص اللوائح المحلية على فرز المنتجات الكهربائية عن النفايات المنزلية في مواقع نفايات البلدية أو بواسطة بائع التجزئة عند شراء منتج جديد. وتوفر ستانلي مرافق لجمع وإعادة تدوير منتجات ستانلي حينما تصل إلى نهاية عمرها الافتراضي للعمل. للاستفادة من هذه الخدمة، برجاء إعادة المنتج إلى أي وكيل إصلاح معتمد يقوم بجمعها نيابة عنا.

يمكنك التحقق من موقع أقرب وكيل إصلاح معتمد من خلال الاتصال بمكتب ستانلي المحلي على العنوان المشار إليه في الدليل. وبدلاً من ذلك، توجد قائمة بوكلاء الإصلاح المعتمدين من ستانلي وبياناتهم الكاملة لخدمات ما بعد البيع وبيانات اتصالاتهم على موقع الإنترنت: www.helpU.com.

المواصفات

المتقاب الكهربائي الدقاق	STBS720
الطاقة	720 واط
الجهد الكهربائي	220-240 فولط
التردد	50/60 هرتز
السرعة بدون حمل	800 لفة في الدقيقة

معلومات الخدمة

توفر ستانلي شبكة كاملة من مراكز الخدمة المعتمدة المملوكة للشركة في جميع أرجاء ويعمل في جميع مراكز الخدمة التابعة لستانلي أفراد مؤهلون على تقديم خدمة فعالة وجديرة بالثقة لجميع الأجهزة بما يحقق رضا العملاء. فإذا ما كنت ترغب في الحصول على مشورة فنية أو إصلاح الأجهزة أو الحصول على قطع غيار أصلية، ما عليك سوى الاتصال بأقرب مركز خدمة لستانلي.

ضمان شامل لعام اثنتان

إذا وجد في منتج ستانلي عيوب تصنيع أو عيوب مواد في غضون ٢٤ شهراً من تاريخ الشراء، تضمنن لك ستانلي استبدال كافة الأجزاء المعيبة دون مقابل أو - وفقاً لتقديرنا - استبدال الوحدة دون مقابل شريطة:

- عدم إساءة استخدام الجهاز وأن يكون الجهاز قد تم استخدامه وفقاً لدليل التعليمات;
- تعرض الجهاز للبلبى العادي بالاستعمال;
- عدم القيام بأي إصلاحات بواسطة أشخاص غير معتمدين;
- تقديم إثبات للشراء;
- إعادة منتج ستانلي مكتملاً مع كافة مكوناته الأصلية

إذا كنت ترغب في إقامة دعوى، اتصل بالبائع أو تحقق من موقع أقرب وكيل إصلاح معتمد من ستانلي في دليل ستانلي أو اتصل بمكتب ستانلي المحلي على العنوان المشار إليه في الدليل. توجد قائمة بوكلاء الإصلاح المعتمدين من ستانلي وبياناتهم الكاملة لخدمات ما بعد البيع على موقع الإنترنت: www.stanleytools.com.

التشغيل

استخدام جهاز السنفرة الرملية (الشكل "ط")

أمسك جهاز السنفرة الرملية جيداً بـكِلتا يديك أثناء السنفرة كما هو موضح في الشكل (ط).

ملحوظة: يمكن تعديل مقبض جهاز السنفرة إلى ثلاثة أوضاع كما ذكرنا من قبل.

المفتاح (الشكلان "ي" و"ك")

لتشغيل جهاز السنفرة الرملية، اضغط على مفتاح التشغيل / إيقاف التشغيل كما هو موضح في الشكل (ي). وإيقاف جهاز السنفرة الرملية، حرر مفتاح التشغيل / إيقاف التشغيل.

نصائح للاستخدام الأمثل

- قم دائماً بتشغيل جهاز السنفرة الرملية قبل أن يتلامس مع قطعة العمل، ولا تقم بإيقاف تشغيله إلا بعد رفعه من على قطعة العمل.
- أمسك الجهاز دائماً بـكِلتا يديك.
- وإذا أمكن، ثبت قطعة العمل بملزمة على منضدة العمل أو سطح قوي مماثل.
- استخدم سير السنفرة المناسب للسطح الذي تعمل عليه. فيما يلي قائمة بأنواع سيور السنفرة المناسبة للاستخدام مع مختلف المواد.

المادة	مقاس سير السنفرة
الخشب المصمت	٨٠
القشرة الخشبية	١٥٠
الخشب المضغوط	٨٠/٦٠
البلاستيك	١٠٠
الصلب	٨٠ (قم بإزالة كيس الغبار)
إزالة الطلاء	٦٠/٤٠
خشب البلسا	١٠٠
الأكريليك	١٠٠

العناية بالجهاز والصيانة

تم تصميم الجهاز للعمل لفترات طويلة بأقل صيانة ممكنة. ويتوقف الاستخدام المرضي للجهاز على العناية الجيدة بالجهاز والتنظيف الدوري له.

لا تفرط أبداً في الضغط عند استخدام جهاز السنفرة الرملية. قد تؤدي القوة المفرطة إلى زيادة التحميل على الجهاز وتسبب تلف المحرك أو قطعة العمل. وفي حالة ارتفاع درجة حرارة الجهاز، قم بتشغيله دون حمل لمدة دقيقتين. وحافظ دائماً على نظافة فتحات التهوية. لتنظيف جهاز السنفرة الرملية، اتبع الخطوات التالية:

- تحذيراً لمنع التشغيل غير المقصود للجهاز، قم بإيقاف تشغيل جهاز السنفرة الرملية وفصله من مقبس التيار قبل إجراء أي من العمليات التالية عليه. قد يؤدي الإخفاق في القيام بذلك إلى حدوث إصابات شخصية خطيرة.



- استخدم فرشاة طلاء جافة ونظيفة لتنظيف الفتحات ومجاري الهواء.
- نظف غطاء المحرك باستخدام قطعة قماش رطبة (لا تستخدم المذيبات أو البنزين أو زيت الترينتين).

ملحوظة مهمة! لضمان سلامة الجهاز وموثوقيته، يجب إجراء أعمال الإصلاحات والصيانة والتعديل في مراكز الخدمة المعتمدة والمؤسسات الأخرى المؤهلة باستخدام قطع غيار مطابقة دائماً.



الملحقات

يعتمد أداء الجهاز على نوع الملحقات المستخدمة. وتم تصميم ملحقات ستانلي وتصنيعها وفقاً لمعايير عالية الجودة لتحسين استخدامك للجهاز. وباستخدام هذه الملحقات، سوف تحصل على أفضل أداء من جهازك.

استخدم سيور السنفرة مقاس ٣ بوصة × ٢١ بوصة (٧٦ × ٥٣٣ ملم) فقط. تتوفر الملحقات الموصى باستخدامها مع الجهاز لدى البائعين أو مراكز الخدمة المعتمدة المحلية مقابل تكلفة إضافية.

ملاحظات

- تعتمد سياسة ستانلي على تحسين منتجاتنا باستمرار، وبناءً على ذلك فإننا نحفظ بحقنا في تغيير مواصفات المنتج دون إشعار مسبق.
- قد تختلف المعدات والملحقات القياسية حسب البلد.
- قد تختلف مواصفات المنتج حسب البلد.
- قد لا تتوفر مجموعة المنتجات الكاملة في كافة الدول. يرجى التواصل مع موزعي ستانلي للتحقق من توافر المنتجات.

السلامة الكهربائية

لتحريك غطاء السير إلى أسفل، أمسك الشفة الموجودة على الجانب وحركها قليلاً إلى الاتجاه الموضح في الشكل (ج) (السهم ٢) وأعد الغطاء مرة أخرى وضعه المغلق.

ملحوظة: لا يمكن قفل غطاء سير السفرة في وضعه المرفوع ما لم يكن المقبض في أعلى وضع.

هذا الجهاز مزدوج العزل، لذا ليست هناك حاجة إلى سلك أرضي. ولكن يجب عليك دوماً التحقق من مطابقة الجهد الكهربائي للأسلاك الرئيسية مع الجهد الكهربائي الموجود على لوحة التصنيف.



تحذيراً! في حالة تلف كابل الطاقة، يجب استبداله بواسطة الشركة المصنعة أو مركز خدمة معتمد من ستانلي أو شخص مؤهل للقيام بذلك لتجنب الضرر أو الإصابة. وفي حالة استبدال كابل الطاقة بواسطة شخص مؤهل، ولكنه غير معتمد من ستانلي، فسوف يبطل الضمان.

تحذيراً! يكون سير السفرة مكشوفاً عندما يكون غطاء السير مرفوعاً. انتبه جيداً عند تشغيل الجهاز في هذا الوضع.



تعديل تتبع سير السفرة (الشكل "هـ")

اقلب الجهاز (الشكل هـ)، وامسكه جيداً بيد واحدة، وقم بتشغيل المحرك وتحرير المفتاح فوراً بعد ملاحظة تتبع سير السفرة. إذا كان السير يدور إلى الخارج، قم بلف مفتاح تعديل التتبع في اتجاه عقارب الساعة، وقم بلفه عكس اتجاه عقارب الساعة إذا كان السير يدور إلى الداخل. سيؤدي عمر السير بشكل كبير عند ضبط تعديل التتبع بشكل صحيح (الشكل هـ).

تغيير سير السفرة (الشكلان "و" و"ز")

تحذيراً! لمنع التشغيل غير المقصود للجهاز، قم بإيقاف تشغيل جهاز السفرة الرملية وفصله من مقبس التيار قبل تغيير سير السفرة. اسحب الذراع الموضع في الشكل ٥ لإرخاء سير السفرة. اسحب سير السفرة من على البكرتين ضع سير السفرة الجديد بمقاس ٣ بوصة $21 \times$ بوصة $(76 \times 533$ ملم) على البكرتين الأمامية والخلفية (الشكل ٦). تأكد من أن الأسهم الموجودة على سير السفرة وعلى جهاز السفرة الخاص بك تشير إلى نفس الاتجاه. ادفع الذراع إلى الخلف لشد سير السفرة.

جمع الغبار (الشكل "ح")

تحذيراً! لمنع التشغيل غير المقصود للجهاز، قم بإيقاف تشغيل جهاز السفرة الرملية وفصله من مقبس التيار قبل تركيب كيس الغبار.



تحذيراً! لمنع التشغيل غير المقصود للجهاز، قم بإيقاف تشغيل السفرة الرملية وفصله من مقبس التيار قبل إجراء أي من العمليات التالية عليه. قد يؤدي عدم القيام بذلك إلى حدوث إصابات شخصية خطيرة.



المقبض الثلاثي الأوضاع (الشكلان "ب" و"ب٢")

يمكن تحرير القفل الموجود على جانب المقبض حتى يتسنى لك تحريك المقبض. ولتعديل وضعية المقبض، اسحب ذراع القفل للخارج (الشكل ب١) وحرك المقبض إلى الوضع المطلوب (الشكل ب٢). وبمجرد أن يصبح المقبض في الوضع المطلوب، ادفع ذراع القفل للداخل لتثبيت المقبض في مكانه.

غطاء السير الثنائي الأوضاع (الشكلان "ج" و"د")

يحتوي الجهاز على غطاء من الألمنيوم لسير السفرة من الأمام. وعند رفع المقبض إلى أعلى وضع، يمكن رفع هذا الغطاء كما هو موضح في الشكل (ج) (السهم ١) وتثبيتته في هذا الوضع من أجل:

١. تحسين إمكانية الوصول إلى الأماكن الضيقة.

٢. السماح باستخدام البكرة الأمامية الأقل قطرًا في السفرة (عادةً ما يمنع الغطاء الألمنيوم ذلك عندما يكون في الوضع "السفلي").

٣. كشف الجزء العلوي من السير للسفرة المتعددة الاستعمالات (الشكل د).

تحذيراً! خطر اندلاع حريق. يمكن لغبار السفرة المجمع من سفرة طلاء الأسطح (البولي يوريثان، وزيت بذور الكتان، وخلافه) أن يشتعل ذاتياً في كيس غبار جهاز السفرة الرملية أو في أي مكان آخر ويسبب اندلاع حريق، ولتقليل مخاطر حدوث ذلك، أفرغ الكيس على نحو متكرر، واتبع كتيب تعليمات السفرة الرملية بدقة وتعليمات الشركة المصنعة للطلاء.



تحذيراً! خطر اندلاع حريق. عند العمل على الأسطح المعدنية، لا تستخدم كيس غبار أو مكينة كهربائية حيث ينتج عنها شرر. ارتد النظارات الواقية وقناع الحماية من الغبار ونظراً لخطر اندلاع الحريق، لا تستخدم جهاز السفرة الرملية في سفرة أسطح الماغنسيوم. ولا تستخدمه أيضاً في السفرة الرطبة.



المحرك

- الإصابات الناتجة عند تغيير أية أجزاء أو سفرات أو ملحقات.
- الإصابات الناتجة بسبب الاستخدام الزائد للجهاز. عند استخدام أي جهاز لفترات طويلة من الوقت. احرص على أخذ فواصل منتظمة.
- ضعف السمع.
- المخاطر الصحية الناتجة بسبب استنشاق الغبار الناشئ؛ عند استخدام الجهاز (مثال:- العمل على الخشب وخصوصاً خشب البلوط أو خشب الزان أو الخشب الليفي المتوسط الكثافة).

تأكد من أن الجهد الكهربائي الداخل يتوافق مع العلامات الموجودة على لوحة الاسم. وتكون هذه المعلومات مطبوعة على لوحة الاسم. سوف يؤدي الجهد الكهربائي المنخفض إلى حدوث فقد في الطاقة وقد ينتج عنه ارتفاع في درجة حرارة الجهاز. تم اختبار جميع أجهزة ستانلي في المصنع، وفي حالة عدم عمل الجهاز تحقق من مصدر التيار الكهربائي.

استخدام كابلات تمديد

تأكد من أن كابل التمديد في حالة جيدة قبل استخدامه. واحرص دوماً على استخدام كابلات تمديد ذات حجم مناسب مع الجهاز - وهو حجم الكابلات المناسب للعديد من أطوال الكابلات والذي يكون سميكاً بما فيه الكفاية لحمل التيار الذي سيسحبه الجهاز. سوف يؤدي استخدام كابل ذو سمك أقل من المطلوب إلى حدوث فقد الجهد الكهربائي للسلك، مما يؤدي إلى فقدان الطاقة وارتفاع درجة حرارة الجهاز.

قواعد السلامة الخاصة

- تجنب التعرض لفترة طويلة للغبار الناتج عن السفرة الكهربائية والنشر والتجليخ والتقطب والأنشطة الإنشائية الأخرى. ارتد ملابس الحماية الشخصية وقم بغسل المناطق المكشوفة بالماء والصابون. قد يؤدي السماح للغبار بالدخول إلى الفم أو العينين أو بالترسب على البشرة إلى زيادة درجة امتصاص الكيماويات الضارة.

تحذيراً: يؤدي استخدام هذا الجهاز إلى إنتاج و/أو تكوين غبار، والذي قد يؤدي إلى مشاكل دائمة في التنفس أو إصابات أخرى. استخدم دائماً أقنعة حماية التنفس المعتمدة من المعهد الوطني للسلامة والصحة المهنية / إدارة السلامة والصحة المهنية والمناسبة للتعرض للغبار. قم بتوجيه الجسيمات والذرات الناتجة بعيداً عن الوجه والجسم.



تنبيه: ارتد واقيات الأذن المناسبة أثناء استخدام الجهاز. قد تؤدي الضوضاء الناتجة عن الجهاز، في بعض الحالات وحسب مدة الاستخدام، إلى فقدان السمع.



تحذيراً!



- ارتد دائماً النظارات الواقية للعينين وقناع التنفس.

- نظف الجهاز بصفة دورية.

سلامة الآخرين

- هذا الجهاز غير مخصص للاستخدام من قبل الأشخاص (بما في ذلك الأطفال) الذين يعانون من قصور بدني أو حسي أو ذهني، أو يفقدون للخبرة والعرفة، ما لم يتم الإشراف عليهم، أو توجيههم فيما يتعلق بكيفية استخدام الجهاز من قبل شخص مسؤول عن سلامتهم.

- يجب مراقبة الأطفال لضمان عدم عبثهم بالجهاز.

المخاطر الكامنة

قد تنشأ مخاطر كامنة أخرى عند استخدام الجهاز قد لا تكون مشمولة ضمن تحذيرات السلامة المرفقة. وقد تنشأ هذه المخاطر بسبب سوء الاستخدام أو الاستخدام لفترة طويلة وما إلى ذلك. حتى عند تطبيق تعليمات السلامة ذات الصلة وتنفيذ وسائل السلامة، قد لا يمكن تفادي بعض المخاطر الكامنة. ويتضمن ذلك:

- الإصابات الناتجة بسبب تلامس أية أجزاء دوارة/متحركة.

Vibration

The declared vibration emission values stated in the technical data and the declaration of conformity have been measured in accordance with a standard test method provided by EN 10466 and may be used for comparing one tool with another. The declared vibration emission value may also be used in a preliminary assessment of exposure.

Warning! The vibration emission value during actual use of the power tool can differ from the declared value depending on the ways in which the tool is used. The vibration level may increase above the level stated.

الرموز الموجودة على الجهاز

قد تتضمن العلامات الموجودة على الأداة الرموز التالية:

عزل مزدوج من الفئة 2		هترتز	Hz.....	اقرأ دليل التعليمات	
طرف أرضي		واط	W.....	استخدم واقي العين	
رمز تنبيه الأمان		دقيقة تيار متردد	min.....	استخدم واقي الأذن	
عدد الدورات أو الترددات في الدقيقة	.../min	تيار مستمر	min.....	فولط	V
				مبير	A
				السرعة بدون حمل	N ₀

مكان رمز الباركود الخاص بالتاريخ

يوجد رمز الباركود الخاص بالتاريخ. بما في ذلك سنة الصنع، مطبوعاً على التبييتة. على سبيل المثال:

XX JN ٢٠١٤

سنة الصنع

4. استخدام الجهاز الكهربائي والعناية به

أ. لا تضغط على الجهاز الكهربائي. استخدم الجهاز الكهربائي المناسب لاستعمالك. حيث إن استخدام الجهاز الكهربائي يؤدي المهمة بشكل أفضل وأكثر أماناً بالسرعة التي تم تصميمه من أجلها.

ب. لا تستخدم الجهاز الكهربائي إذا كان المفتاح لا يقيم بالتشغيل أو الإيقاف. حيث إن أي جهاز كهربائي لا يمكن التحكم فيه باستخدام مفتاح التشغيل/الإيقاف يكون خطيراً ويجب إصلاحه.

ج. افصل المقيس من مصدر الطاقة و/أو علبه البطارية من الجهاز الكهربائي قبل إجراء أي تعديلات أو تغيير أو ملحقات أو تخزين الجهاز الكهربائي. حيث تقلل تدابير السلامة الوقائية هذه من خطر تشغيل الجهاز دون قصد.

د. قم بتخزين الأجهزة غير المستخدمة بعيداً عن متناول الأطفال ولا تسمح للأشخاص غير المتعاملين مع الأجهزة الكهربائية أو غير المتعلمين على هذه التعليمات بتشغيل الجهاز الكهربائي. حيث يمثل وجود الأجهزة الكهربائية في أيدي المستخدمين غير المدربين خطراً عليهم.

هـ. قم بصيانة الأجهزة الكهربائية. تحقق من أي اختلاف أو عائق في الأجزاء المتحركة أو كسر في الأجزاء أو أي حالة أخرى قد تؤثر على تشغيل الأجهزة. في حالة تعرض الأجهزة للتلف، قم بإصلاح الأجهزة قبل استخدامها حيث تقع العديد من الحوادث بسبب الصيانة الرديئة للأجهزة.

و. احرص على حدة ونظافة أدوات القطع. من النادر أن تتسبب أدوات القطع المحفوظة بشكل مناسب، مع الحفاظ على حدة حواف القطع، في إعاقة الحركة فضلاً عن سهولة التحكم فيها.

ز. احرص على استخدام الجهاز الكهربائي والملحقات ولقم الجهاز وما إلى ذلك وفقاً لهذه التعليمات، مع الأخذ في الاعتبار ظروف العمل والعمل المطلوب تنفيذه. قد يؤدي استخدام الجهاز الكهربائي في عمليات غير المخصص من أجلها إلى وقوع مخاطر.

هـ. الصيانة

أ. قم بإصلاح وصيانة الجهاز بواسطة شخص مؤهل باستخدام الأجزاء البديلة المطابقة فقط. وسوف يضمن ذلك الحفاظ على سلامة الجهاز الكهربائي.

• أمسك الجهاز الكهربائي من الأسطح المعزولة فقط عند العمل بالجهاز في حالة وجود احتمالية تلامس القاطع مع الأسلاك المخفية أو مع الكابل الخاص بالجهاز. واعلم أن قطع الكابلات التي يسري بها التيار " قد يؤدي إلى الأجزاء المعدنية المكشوفة، ما قد يعرض المشغل إلى مخاطر الإصابة بالصددمات الكهربائية.

• استخدم ملزمة أو أي طريقة عملية أخرى لوضع قطعة العمل وتثبيتها على سطح ثابت. إن إسكاف قطعة العمل باليد أو في مقابل الجسم يجعلها غير مستقرة وقد يؤدي إلى فقدان السيطرة على الجهاز.

تحذيراً! انتبه جيداً عند سنفرة بعض الأخشاب (مثل خشب البلوط أو خشب الزان) والمعادن التي قد يصدر عنها غبار سام. وارتد قناع الغبار المصمم خصيصاً للحماية من الغبار والأدخنة السامة وتأكد كذلك من حماية الأشخاص الموجودين أو الذين تعليمات السلامة الإضافية عند استخدام أجهزة السنفرة الرملية

تعليمات السلامة الإضافية عند استخدام أجهزة السنفرة الرملية

السنفرة الرملية

الطلاء الذي يحتوي على الرصاص

لا يوصى بسنفرة الطلاء الذي يحتوي على الرصاص نظراً لصعوبة السيطرة على الغبار الملوث. وتكون مخاطر الرصاص السام أكبر على الأطفال النساء الحوامل. ونظراً لأنه من الصعب تحديد ما إذا الطلاء يحتوي على الرصاص أم لا دون التحليل الكيميائي، فإننا نوصي باتباع الاحتياطات التالية عند سنفرة أي طلاء:

السلامة الشخصية

• يجب عدم دخول أي أطفال أو نساء حوامل إلى منطقة العمل التي يتم فيها سنفرة الطلاء إلى أن يتم تنظيف المنطقة بالكامل.

• يجب على جميع الأشخاص المتواجدين في منطقة العمل ارتداء أقنعة الحماية من الغبار أو أقنعة التنفس. ويجب استبدال المرشح (الفلتر) يومياً أو عندما يجد الشخص الذي يرتدي القناع صعوبة في التنفس.

ملحوظة: يجب ارتداء أقنعة الحماية من الغبار المناسبة للعمل مع الغبار والأدخنة المتصاعدة من الطلاء الذي يحتوي على رصاص فقط. لا توفر أقنعة الطلاء العادية هذا النوع من الحماية. يرجى التوجه إلى تاجر الأجهزة والمعدات المحلية (المعتمد من المعهد الوطني للسلامة والصحة المهنية) لشراء القناع المناسب.

• لا تأكل أو تشرب أو تدخن في منطقة العمل حتى لا تدخل ذرات الطلاء الملوثة إلى معدتك. وتبعين على العمال الإغستال وتظفيهم أنفسهم قبل الأكل أو الشرب أو التدخين. ويجب عدم ترك الأطعمة أو المشروبات أو السجائر في منطقة العمل حتى لا تتراكم عليها ذرات الغبار.

السلامة البيئية

• يجب إزالة الطلاء بطريقة تؤدي إلى تقليل كمية الغبار الناتج إلى أقل قدر ممكن.

• يجب إغلاق المناطق التي يتم فيها إزالة الطلاء بألواح بلاستيكية سمك 4 مم.

• يجب إجراء السنفرة الرملية بطريقة تؤدي إلى تقليل خروج غبار الطلاء إلى خارج منطقة العمل.

التنظيف والتخلص من النفايات

• يجب نفخ جميع الأسطح الموجودة في منطقة العمل بالنافخ الهوائي وتنظيفها بالكامل بشكل يومي طوال مدة أعمال السنفرة الرملية. ويجب تغيير أكياس مرشح المكنسة الكهربائية باستمرار.

• يجب تجميع أغشية الحماية من الغبار البلاستيكية والتخلص منها مع أي شظايا أو أي بقايا أخرى. ويجب وضعها في أكياس نفايات محكمة الغلق والتخلص منها من خلال إجراءات جمع القمامة العادية. وأثناء التنظيف، يجب إبقاء الأطفال والنساء الحوامل بعيداً عن منطقة العمل المباشرة.

• ويجب غسل جميع الألعاب وقطع الأثاث القابلة للغسل والأواني التي يستخدمها الأطفال جيداً قبل إعادة استخدامها مرة أخرى.

ج. لا تعرض الأجهزة الكهربائية للمطر أو ظروف رطبة. فإن دخول الماء إلى الجهاز الكهربائي يؤدي إلى زيادة خطر حدوث صدمة كهربية.

د. لا تنسى استخدام السلك. لا تستخدم السلك في حمل أو سحب الجهاز الكهربائي أو نزعها من المقبس. احرص على إبعاد السلك عن الحرارة والنفت والحواف الحادة أو الأجزاء المتحركة. حيث إن الأسلاك التالفة أو المتشابكة تزيد من خطر حدوث صدمة كهربائية.

هـ. عند تشغيل الجهاز في الخارج، استخدم سلك تمديد مناسب للاستخدام الخارجي، حيث إن استخدام سلك مناسب للاستخدام الخارجي يقلل من خطر حدوث صدمة كهربائية.

و. إذا كان يجب تشغيل الجهاز الكهربائي في مكان رطب، فاستخدم موصل محمي لقاطع الدورة (RCD). إن استخدام قاطع الدورة يقلل من خطر حدوث صدمة كهربية. ملحوظة: يمكن استبدال كلمة "قاطع الدورة" (RCD) بكلمة "قاطع التيار الأرضي" (GFCI) أو بكلمة "قاطع الحماية من التسرب الأرضي" (ELCB).

٣. السلامة الشخصية
أ. توخ الحذر وراقب ما تقوم به واستخدم حسك العام عند تشغيل جهاز كهربائي، لا تستخدم أي جهاز كهربائي حينما تكون مرهقاً أو تحت تأثير المخدرات أو الكحول أو الدواء. قد تؤدي لحظة عدم انتباه واحدة أثناء تشغيل الأجهزة الكهربائية إلى وقوع إصابة شخصية خطيرة.

ب. استخدم معدات الحماية الشخصية. احرص دوماً على ارتداء واقي العينين. إن استخدام معدات الحماية مثل قناع الأتربة وأحذية السلامة المقاومة للانزلاق والخوذات الصلبة وواقي الأذن في الظروف المناسبة يقلل من وقوع الإصابات الشخصية.

ج. تجنب التشغيل العرضي. احرص على أن يكون مفتاح التشغيل في وضع الإيقاف قبل توصيله بمصدر الطاقة و/أو علبه البطارية أو قبل التقاط الجهاز أو حملها. قد تقع حوادث نتيجة حمل الأجهزة الكهربائية مع وضع الأصبع على مفتاح التشغيل أو توصيل الأدوات الكهربائية بالمقبس حينما يكون مفتاح التشغيل على وضع التشغيل.

د. قم بإزالة أي مفتاح ضبط أو مفتاح ربط قبل تشغيل الجهاز. فقد يؤدي ترك مفتاح الربط أو المفتاح عالقاً في الجزء الدوار بالجهاز إلى وقوع إصابات شخصية.

هـ. لا تمد يدك بالجهاز لمسافة بعيدة. ضع قدميك في موضع مناسب واحتفظ بالتوازن المناسب في جميع الأوقات. حيث يتيح لك ذلك إمكانية التحكم بشكل أفضل في الجهاز في المواقف غير المتوقعة.

و. ارتد ملابس مناسبة. لا ترتد الملابس الفضفاضة أو الحلي. احرص على إبقاء شئرك وملابسك وقفازانك بعيدة عن الأجزاء المتحركة. فقد تسحب الأجزاء الدوارة الملابس الفضفاضة أو الحلي أو الشعر الطويل.

ج. إذا كانت الأجهزة معدة للتوصيل بوسائل إزالة أو تجميع الأتربة، فاحرص على توصيلها واستخدامها بشكل مناسب. حيث إن استخدام وسائل جمع الأتربة قد يقلل من المخاطر المرتبطة بها.

لا تقم بإعادة هذا المنتج إلى المتجر، عليك الاتصال أولاً بمكتب ستانلي المحلي أو أقرب مركز خدمة معتمد.

قواعد السلامة العامة

تحذير! اقرأ كافة التعليمات وافهمها جيداً. قد يؤدي عدم اتباع التعليمات الواردة أدناه إلى حدوث صدمة كهربية و/أو حريق و/أو إصابة شخصية خطيرة.



احفظ هذه التعليمات

تعليمات السلامة

تحذيرات عامة عند استخدام الأجهزة الكهربائية

تحذير! اقرأ كافة التعليمات وكافة التحذيرات السلامة. قد يؤدي عدم اتباع التعليمات والتحذيرات الواردة أدناه إلى حدوث صدمة كهربية أو حريق و/أو إصابة شخصية خطيرة.



احفظ كافة التحذيرات والتعليمات للرجوع إليها في المستقبل

تشير كلمة "الجهاز الكهربائي" في كافة التحذيرات الواردة أدناه إلى الجهاز الكهربائي الذي يعمل (بواسطة أسلاك) بواسطة الموصلات الرئيسية أو الجهاز الكهربائي الذي يعمل بواسطة بطارية (بدون أسلاك).

١. سلامة منطقة العمل

أ. احرص على نظافة وإضاءة منطقة العمل بشكل جيد. حيث تؤدي المناطق غير المنظمة والمظلمة إلى وقوع حوادث.

ب. لا تشغيل الجهاز في أجواء قابلة للانفجار، مثلاً عند وجود سوائل أو غازات أو غبار قابل للاشتعال. فالأجهزة الكهربائية تطلق شرراً قد يؤدي إلى اشتعال الغبار أو الدخان.

ج. احرص على إبعاد الأطفال والمتواجدين في منطقة العمل عن الجهاز الكهربائي. فقد يتسبب الإلتهاء في فقدانك للسيطرة.

٢. السلامة الكهربائية

أ. يجب أن تتطابق مقابس الجهاز الكهربائي مع المنفذ. لا تقم بتعديل المقبس بأي حال. لا تستخدم أي مقابس مهايئات مع أجهزة كهربائية (مؤرضة). سوف تؤدي المقابس غير المعدلة والمنافذ المطابقة إلى تقليل خطر حدوث صدمة كهربائية.

ب. تجنب ملامسة الجسد للأسطح المؤرضة مثل الأنابيب والمشعاع والثلاجات، فإذا تلامس الجسد بسطح مؤرض، فسوف يزداد خطر حدوث صدمة كهربية.

FIG. F

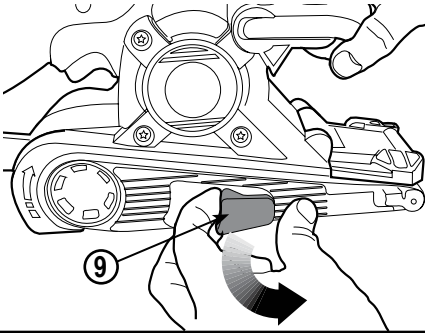


FIG. G

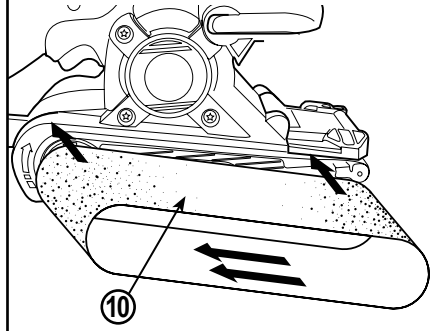


FIG. H

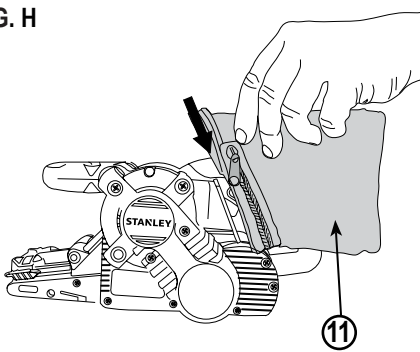


FIG. I

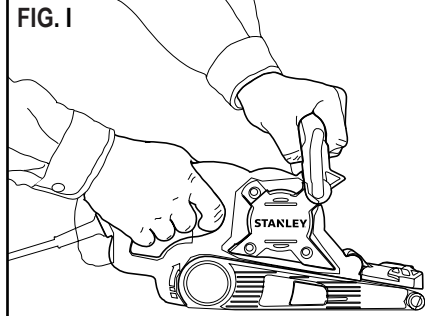


FIG. J

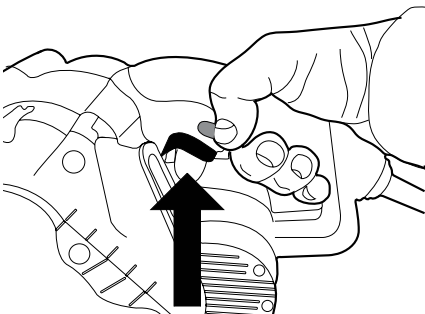
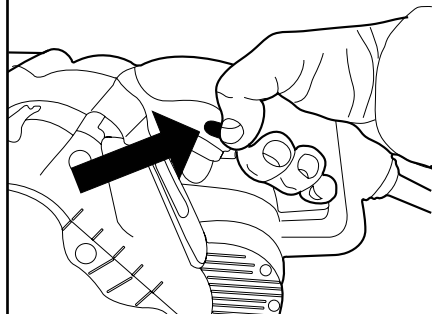
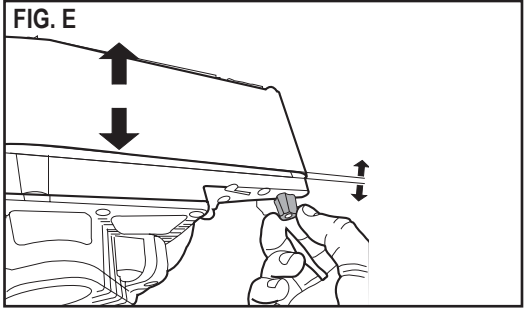
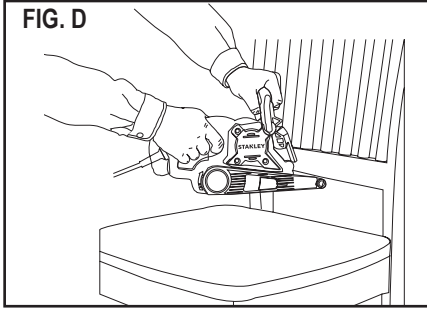
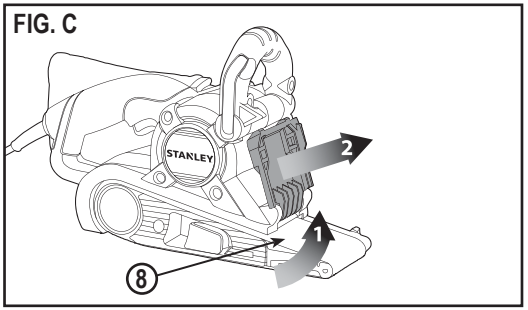
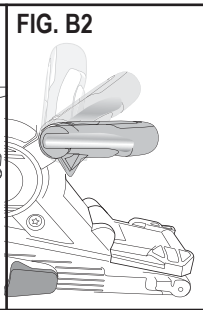
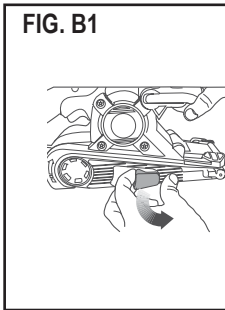
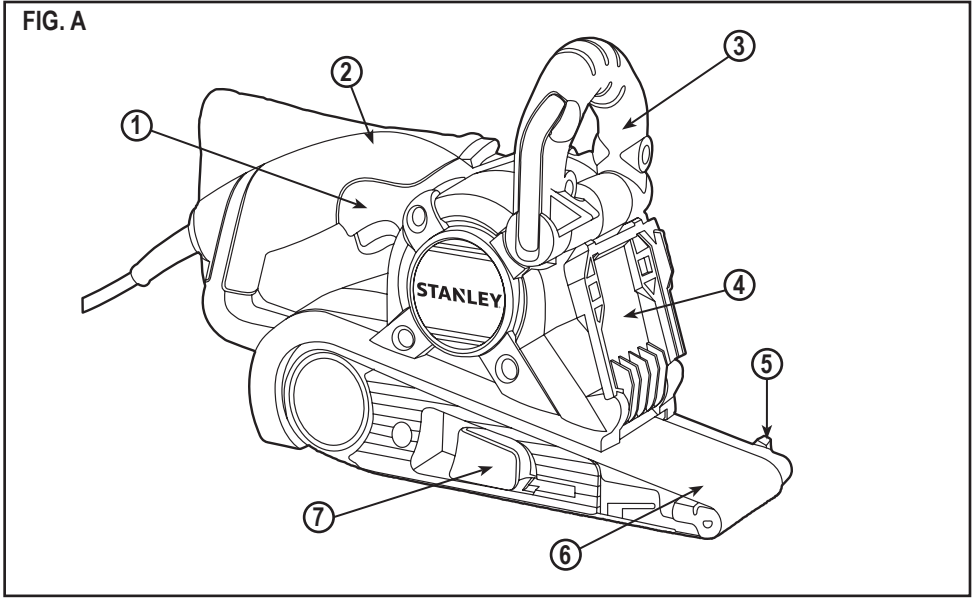


FIG. K





Names & Addresses for STANLEY Service Concessionaries - MIDDLE EAST & AFRICA

ALGERIA: Sarl Outillage Corporation, 08 Rue Med Boudiaf - Cheraga - Algiers, Algeria. Tel: (213-21) 375130, Fax: (213-21) 369667. **ANGOLA:** Angoferraria, Lda., Rua Robert Shields, No. 61, Luanda, Angola. Tel: 00244-222-395837 / 222-395034, Fax: 00244-222-394790. **AZERBAIJAN:** Royalton Holdings Ltd. 41 Khagani St. Apt. 47 AZ 1001, Baku. Tel: (994-12) 4935544, Fax: (994-12) 5980378. **BAHRAIN:** Kavalani & Sons W.L.L., P.O. Box 71, Sitra, Manama, Tel: (973) 17732888, Fax: (973) 17737379. Alfouz Services Co. W.L.L., P.O. Box 26562, Tubli, Manama. Tel: (973) 17783562, Fax: (973) 17783479. **EGYPT:** El Farab S.A.E., 15-Nabil El Wakkad Street, Dokki, Giza, Egypt. Tel: 00202-37603946 / 002-010-2582544, Fax: 00202-33352796. **ETHIOPIA:** Seif Tewfik Sherif, Arada Sub-City, Kebele 01/02, Global Insurance Building, 2nd Floor, Room 43, P.O. Box 2525, Addis Ababa, Ethiopia. Tel: (251-11) 1563968/ 1563969, Fax: (251-11) 1558009. **IRAQ:** Financial Links, Kazzaz Building Ararat Al-Hindia Block No: 629 Street: 31 Building No: 1 Baghdad - Iraq. Tel: 00964 (0)780 195 2223/ 00964 (0)781 3763044. Al Sard Co. for General Trading Ltd. Jbara Bldg. 3Flr, Al Rasheed St. Bagdad. Tel: (964) 18184102. Sakhar Group, Arrasat al-hindya Al Masbah, Baghdad. (964) 7400144446. **JORDAN:** Palestine Bldg. Matl. (Bashiti Hardware), 93 King Abdullah 2nd Street. Opp. ELBA House, P.O. Box 3005, Amman 11953, Tel: (962-6) 5349098, Fax: (962-6) 5330731. **KENYA:** Dextron Tools Ltd., P.O. Box 20121-00200, Shariff House, Kimathi Street, Nairobi. Tel: (254-20) 6905000/ 2358021, Fax: (254-20) 6905111/ 6905112. **KUWAIT:** Al Omar Technical Co., P.O. Box 4062, 13041 Safat, Kuwait. Tel: (965) 24848595/ 24840039, Fax: (965) 24845652. Fawaz Al Zayani Establishment, P.O. Box 42426, Shop No. 18, Al Humaizi Commercial Complex, Khalifa Al Jassim, Shuwaikh, Kuwait. Tel: (965) 24828710, Fax: (965) 24828716. Fawaz Al Zayani Establishment, P.O. Box 42426, Shop No.18, Al Humaizi Commercial Complex, Khalifa Al Jassim, Shuwaikh, Kuwait. Tel: (965) 24828710, Fax: (965) 24828716. Fawaz Al Zayani Establishment, Fahaleh Industrial Area, Main St., Sanaya, Kuwait. Tel: (965) 23925830, Fax: (965) 24828716. **LEBANON:** Est. Shaya & Azar S.A.R.L., Boulevard Jdeideh - Mar Takla - Bouchrieh P.O. Box 90545 Jdeideh.Beirut - Lebanon. Tel: 00961 1 872305 / 306 , Fax: 00961 1 872303. **LIBYA:** North Africa Trading (El Ghoul Brothers), AlHilal Service Center Tawergha St. Misurata. Tel: 00218-091-3221408. **(Benghazi)** Sniydal st., Amr Ibn El-As Rd. Tel: (+218) 92 5771120. **(Tripoli)** Al Barniq Service Center, Mokhazin elskar st., ElFallah. Tel: (+218) 21 4808019. **(Misrata)** Al Hilal Service Center, Tawergha st. Tel: (+218) 51 262674. **MAURITIUS:** Robert Le Marie Limited, Old Moka Road, Bell Village, P.O. Box 161, Port Louis. Tel: 00230-212 1865/ 212 2847, Fax: 00230-2080843. **MOROCCO:** Ets Louis Guillaud & Cie, 149, Quartier Industriel, Moulay Rachid, Casablanca, Postal Code 20450, Morocco. Tel: 00212-522729233, Fax: 00212-522729096. **NIGERIA:** Meridian Power Tools Ltd., Gr.Floor, #1 Alhaji Masha Rd, Next to Teslim Balogun Stadium, Near National Stadium Surulere, Lagos, Nigeria. Tel: 00234-1-7740431 / 7740410, Fax: 00234-1-7913798. **OMAN:** Al Jizzi Company LLC, P.O. Box 1704, PC 112 Ruwi, Oman. Tel: (968) 24832618/ 24835153, Fax: (968) 24831334/24836460. Al Hassan Technical & Construction Supplies Co. LLC, P.O. Box 1948, P.C. 112, Ruwi, Tel: (968) 24810575 / 24837054, Fax: (968) 24810287/ 24833080. Oman Hardware Co. LLC, P.O. Box 635, Ruwi Postal Code 112, Te. (968) 24815131, Fax: (968) 24816491. Khimji Ramdas, P.O. Box 19, Post Code 100, Ghala, Muscat, Oman. Tel: (968) 24595906/ 907, Fax: (968) 24852752. Oman Marketing & Service Co. (Omasco), P.O. Box 2734, Behind Honda Showroom, Wattayah, Oman. Tel: (968) 24560232/ 24560255, Fax: (968) 24560993. Oman Marketing & Service Co. (Omasco), Al Ohi, Sohar, Oman. Tel: (968) 26846379, Fax: (968) 26846379. Oman Marketing & Service Co. (Omasco), Sanaya, Salalah, Oman. Tel: (968) 23212290, Fax: (968) 23210936. **PAKISTAN:** ZIT Co - Nasir & Bros., 2nd Floor, Qadri Center, Chokwal Dargan Railway Road, Lahore, Pakistan. Tel: 0092 42 37670839, Fax: 0092 42 37652989. Ammar Service & Spares, 60-Bank Arcade, Serai Road, Karachi, Pakistan. Tel: (92-21) 32426905, Fax: (92-21) 32427214. **QATAR:** Teyseer Industrial Supplies & Services Co. W.L.L, 55, Al Wakalat St. (Between St. 18 & 19) Salwa Industrial Area, P.O. Box 40523 Doha, Qatar. Tel: (974) 44581536, Fax: (974) 44682024. Shaheen Electrical Works & Trading Co. W.L.L, Gate 34, St. 44 Industrial Area P.O. Box 9756, Doha. Tel: (974) 44600230 / 44600525, Fax: (974) 44601338. Al Mufthah Service Centre, Al Wakrah Road, P.O. Box 875, Doha, Qatar. Tel: (974) 44650880/ 44650110/ 44446868, Fax: (974) 44441415 / 44662599. **SAUDI ARABIA: (Al Bahr)** Mohamed Ahmed Bin Afif Est., P.O. Box 530, Yanbu, Al Bahr. Tel: (966-4) 3222626/ 3228867, Fax: (966-4) 3222210. **(Al Khobar)** Fawaz Ebrahim Al Zayani Trading Est., P.O. Box 76026, Al Khobar # 31952, Tel: (966-3) 8140914, Fax: (966-3) 8140824. MSS (Al-Mojil Supply & Services) P.O. Box 450, Jubail 31951, Opp. Gulf Bridge Library & Riyadh House. Tel: (966-3) 3612850/ 3624487/ 3621729, Fax: (966-3) 3623589/ 3620783. **(Dammam)** MSS (Al-Mojil Supply & Services), P.O. Box 450, Jubail 31951, Opp-Gulf Bridge Library & Riyadh House. Tel: (966-3) 3612850 / 3624487 / 3621729, Fax: (966-3) 3623589 / 3620783. **(Al Bawardi Tools & Hardware)**, P.O. Box 112, Dammam, Tel: (966-3) 8330780 Ext.24 / 8348585 Ext. 24 / +966-3-8335555, Fax: (966-3) 8336303. **(Al Hassa)** Mutawa Trading & Gen. Services, Maliki road Hafuf city, Al Hassa, KSA. Tel: (966-6) 502846275 **(Jeddah)** Al Bawardi Tools & Hardware, P.O. Box 16905, Jeddah 21474, Tel: (966-2) 6444547 / 6439035 / 6456095, Fax: (966-2) 6439024. EAC (Al Yousef Contg. & Trdg. Est.), P.O. Box 30377, Jeddah -21477, Tel: (966-2) 6519912, Fax: (966-2) 6511153. **(Madina)** Garziz Trading for Bldg Mat & Decoration, P.O. Box 3364, Madina. Tel: (966-4) 826 14 90 / 8227636, Fax: (966-4) 8265741. **(Riyadh)** Industrial Material Organization (IMO), P.O. Box 623, Rial Street ,Riyadh, Tel: (966-1) 4028010 Ext 26 / 8001245757, Fax: (966-1) 4037970. Sultan Garment Factory (RSC), P.O. Box 29912, Riyadh 11467, KSA, Tel: (966-1) 4055148 / 4042889, Fax: (966-1) 4055148. Al Bawardi Tools & Hardware, P.O. Box 68, Riyadh 11411, Tel: (966-1) 4484999, Fax: (966-1) 4487877. **(Yanbu)** Fawaz Ebrahim Al Zayani, Opposite to Al Fouzan, Jeddah highway or King Abdul Aziz road, Yanbu. Tel: (966-4) 3960980, Fax: (966-4) 3961980. Mohamed Ahmed Bin Afif Est., P.O. Box 530, Yanbu, Al Bahr, Tel: (966-4) 3222626/ 3228867, Fax: (966-4) 3222210. **SOUTH AFRICA:** Stanley Black & Decker - RSA, 199 Winetree Drive Stormill Exit 9 Rooodepoort. Tel: (2711) 472 0454, Fax: (2711) 472 0482. Trecco Power Tool Service 14 Steenbok Street, Koedoespoort, 0186, Pretoria, South Africa. Tel: (27-86) 1873826, Fax: (27-86) 5001771. **TANZANIA:** General Motors investment Ltd., P.O. Box 16541, 14 Nyerere Road, Vingunguti, Dar-es-Salaam. Tel: (255 22) 2862661/ 2865022, Fax: (255 22) 2862667. **TUNISIA:** Societe Tunisienne De Maintenance (STM), Rue de la Physique. Nouvelle Zone Industrielle Ben Arous., 2013 Ben Arous, Tunisia. Tel: (+216) 79 389687, Fax: (+216) 71 385154. **UAE: (Abu Dhabi)** Light House Electrical, P.O. Box 120, Abu Dhabi. Tel: (971-2) 6726131, Fax: (971-2) 6720667. Galaxy Equipment Trading, Madinat Zayed (Baada Zaid), Abu Dhabi P.C. 58910, Tel: (971-2) 8844279, Fax: (971-2) 8844297 **(Ajman)** Al Sukoon Gen. Trdg. Co. LLC, P.O. Box 2975, Ajman. Tel: (971-6) 7435725/ 7438317, Fax: (971-6) 7437350, Al Sukoon Gen. Trdg. Co. LLC, P.O. Box 2975, Ajman, Tel: (971-6) 7435725 / 7438317, Fax: (971-6) 7437350 **(Al Ain)** Zillion Equipment and Spare Parts Trading LLC, P.O. Box 19740, Opp. Bin Sada/ Trimix Redymy Sanaiya, Al Ain. Tel: (971-3) 7216690, Fax: (971-3) 7216103. **(Dubai)** Black & Decker (Overseas) GmbH, P.O. Box 5420, Dubai. Tel: (971-4) 8127400/ 8127406, Fax: (971-4) 812822765. Ideal Star Workshop Eqp't.Trading LLC, P.O. Box 37116, Al Quoz, Dubai. Tel: (971-4) 3474160, Fax: (971-4) 3474157, Fine Tools, P.O.Box 30139 , Al Quoz, Dubai, Tel: (971-4) 3385240, Fax: (971-4) 3385239, Albreah Engineering Service, P.O. Box 78954, Al Qusais , Dubai. Tel: (971-4) 2850044, Fax: (971-4) 2848402. **(Musafah)** Light House Electrical, P.O. Box 120, Abu Dhabi. Tel: (971-2) 5548315, Fax: (971-2) 5540461. **(Sharjah)** Mc Coy Middle East LLC, P.O. Box 25793, Sharjah, Tel: (971-6) 5395931, Fax: (971-6) 5395932. Burj Al Madeena, Industrial Area No.1, Opp. Pakistani Masjid, P.O. Box 37635, Sharjah. Tel: (971-6) 5337747, Fax: (971-6) 5337719. Burj Al Madeena , Industrial Area No 1 opp Pakistani Masjid P.O. Box 37635, Sharjah, Tel: (971-6) 5337747, Fax: (971-6) 5337719 **(Ras Al Khaimah)** Mc Coy Middle East LLC, P.O. Box 10584, Ras Al Khaimah. Tel: (971-7) 2277095, Fax: (971-7) 2277096. **UGANDA:** The Building Center (U) Ltd., 52 Station Road, Kitgum House, P.O. Box 7436, Kampala, Uganda. Tel: (256-41) 4234567/ 4259754, Fax: (256-41) 4236413. **YEMEN: (Aden)** Middle East Trad. Co. Ltd. (METCO), Mualla Dakka, Aden, Yemen. Tel: (967-2) 222670, Fax: (967-2) 222670. **(Sana'a)** Middle East Trad. Co. Ltd. (METCO), Hayel St., Sana'a, Yemen. Tel: (967-1) 204201, Fax: (967-1) 204204. **(Taiz)** Middle East Trading Co. (METCO), P.O. Box 12363, 5th Flr, Hayel Saeed Anam Bldg, Al-Mugamaa St. Taiz, Yemen. Tel: (967-4) 213455, Fax: (967-4) 219869.