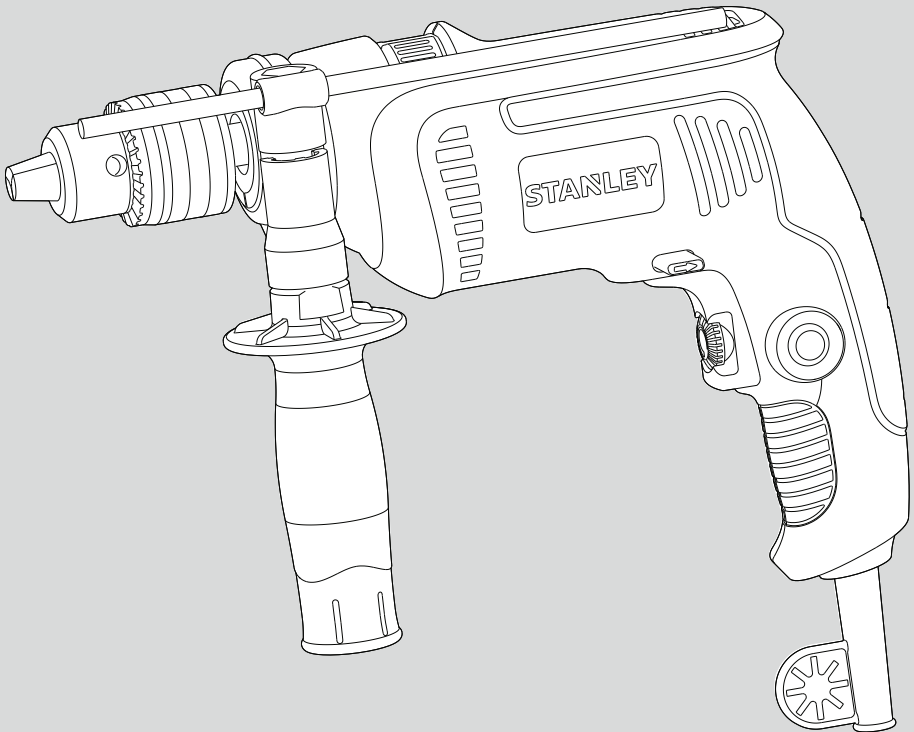
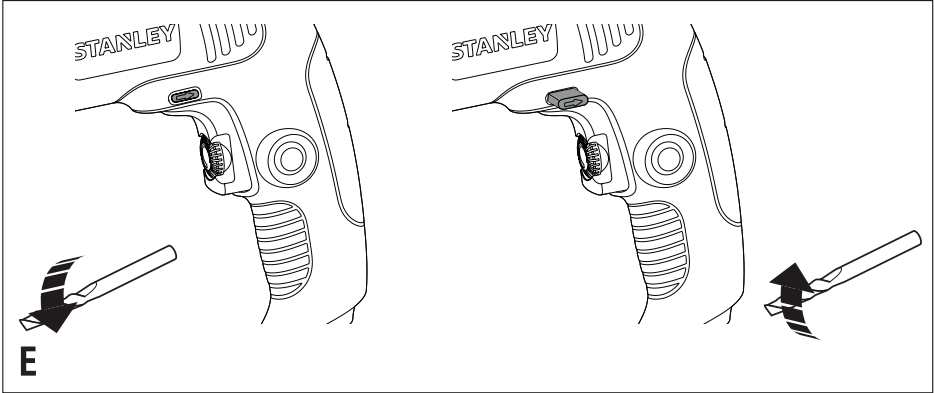
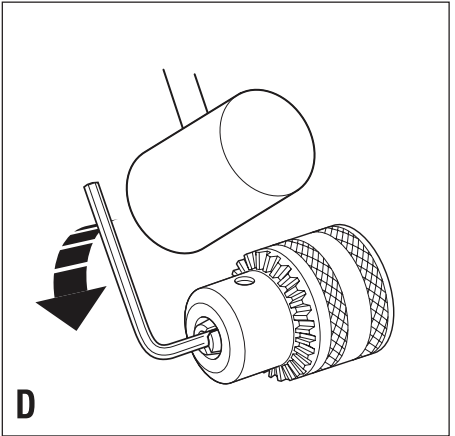
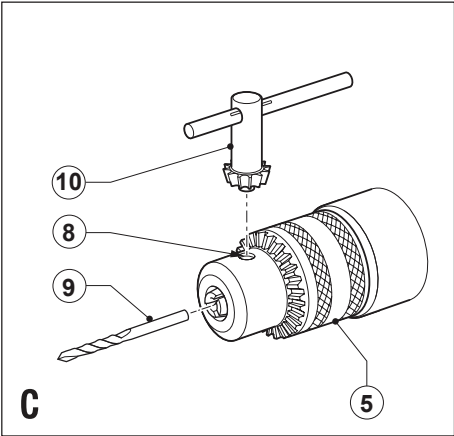
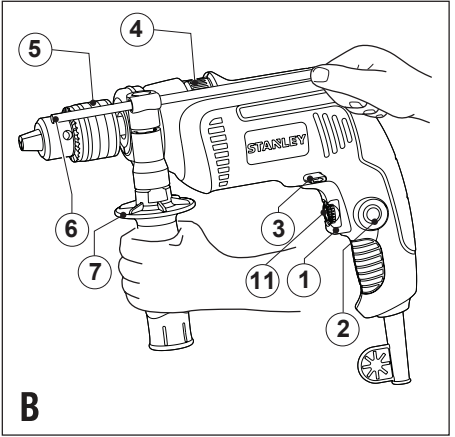
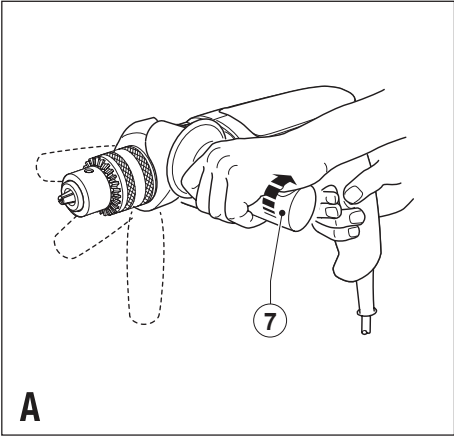


STANLEY



SDH600
SDH700

English	Page	03
French	Page	08
العربية	Page	14



Intended use

Your STANLEY SDH600-SDH700 impact drill has been designed for drilling in wood, metal, plastics, and masonry as well as for screw driving purposes. This tool is intended for professional use.

Safety instructions

General power tool safety warnings



Warning! Read all safety warnings and all instructions. Failure to follow the warnings and instructions listed below may result in electric shock, fire and/or serious injury.

Save all warnings and instructions for future reference.

The term "power tool" in all of the warnings listed below refers to your mains operated (corded) power tool or battery

1. Work area safety

- a. **Keep work area clean and well lit.** Cluttered or dark areas invite accidents.
- b. **Do not operate power tools in explosive atmospheres, such as in the presence of flammable liquids, gases or dust.** Power tools create sparks which may ignite the dust or fumes.
- c. **Keep children and bystanders away while operating a power tool.** Distractions can cause you to lose control.

2. Electrical safety

- a. **Power tool plugs must match the outlet. Never modify the plug in any way. Do not use any adapter plugs with earthed (grounded) power tools.** Unmodified plugs and matching outlets will reduce risk of electric shock.
- b. **Avoid body contact with earthed or grounded surfaces such as pipes, radiators, ranges and refrigerators.** There is an increased risk of electric shock if your body is earthed or grounded.
- c. **Do not expose power tools to rain or wet conditions.** Water entering a power tool will increase the risk of electric shock.
- d. **Do not abuse the cord. Never use the cord for carrying, pulling or unplugging the power tool. Keep cord away from heat, oil, sharp edges or moving parts.** Damaged or entangled cords increase the risk of electric shock.
- e. **When operating a power tool outdoors, use an extension cord suitable for outdoor use.** Use of a

cord suitable for outdoor use reduces the risk of electric shock.

- f. **If operating a power tool in a damp location is unavoidable, use a residual current device (RCD) protected supply.** Use of an RCD reduces the risk of electric shock.

3. Personal safety

- a. **Stay alert, watch what you are doing and use common sense when operating a power tool. Do not use a power tool while you are tired or under the influence of drugs, alcohol or medication.** A moment of inattention while operating power tools may result in serious personal injury.
 - b. **Use safety equipment. Always wear eye protection.** Safety equipment such as dust mask, non-skid safety shoes, hard hat, or hearing protection used for appropriate conditions will reduce personal injuries.
 - c. **Prevent unintentional starting. Ensure the switch is in the off-position before connecting to power source and/or battery pack, picking up or carrying the tool.** Carrying power tools with your finger on the switch or energising power tools that have the switch on invites accidents.
 - d. **Remove any adjusting key or wrench before turning the power tool on.** A wrench or a key left attached to a rotating part of the power tool may result in personal injury.
 - e. **Do not overreach. Keep proper footing and balance at all times.** This enables better control of the power tool in unexpected situations.
 - f. **Dress properly. Do not wear loose clothing or jewellery. Keep your hair, clothing and gloves away from moving parts.** Loose clothes, jewellery or long hair can be caught in moving parts.
 - g. **If devices are provided for the connection of dust extraction and collection facilities, ensure these are connected and properly used.** Use of dust collection can reduce dust-related hazards.
- #### 4. Power tool use and care
- a. **Do not force the power tool. Use the correct power tool for your application.** The correct power tool will do the job better and safer at the rate for which it was designed.
 - b. **Do not use the power tool if the switch does not turn it on and off.** Any power tool that cannot be controlled with the switch is dangerous and must be repaired.

- c. **Disconnect the plug from the power source before making any adjustments, changing accessories, or storing power tools.** Such preventive safety measures reduce the risk of starting the power tool accidentally.
 - d. **Store idle power tools out of the reach of children and do not allow persons unfamiliar with the power tool or these instructions to operate the power tool.** Power tools are dangerous in the hands of untrained users.
 - e. **Maintain power tools. Check for misalignment or binding of moving parts, breakage of parts and any other condition that may affect the power tools operation. If damaged, have the power tool repaired before use.** Many accidents are caused by poorly maintained power tools.
 - f. **Keep cutting tools sharp and clean.** Properly maintained cutting tools with sharp cutting edges are less likely to bind and are easier to control.
 - g. **Use the power tool, accessories and tool bits etc., in accordance with these instructions and in the manner intended for the particular type of power tool, taking into account the working conditions and the work to be performed.** Use of the power tool for operations different from those intended could result in a hazardous situation.
5. **Service**

- a. **Have your power tool serviced by a qualified repair person using only identical replacement parts.** This will ensure that the safety of the power tool is maintained.

Additional power tool safety warnings



Warning! Additional safety warnings for drills and impact drills

- **Wear ear protectors when impact drilling.** Exposure to noise can cause hearing loss.
- **Use auxiliary handle(s) if supplied with the tool.** Loss of control can cause personal injury.
- **Hold power tool by insulated gripping surfaces when performing an operation where the cutting accessory may contact hidden wiring or its own cord.** Cutting accessory contacting a "live" wire may make exposed metal parts of the power tool "live" and could give the operator an electric shock.
- **Use clamps or another practical way to secure and support the workpiece to a stable platform.** Holding the work by hand or against your body leaves it unstable

and may lead to loss of control.

- Before drilling into walls, floors or ceilings, check for the location of wiring and pipes.
- Avoid touching the tip of a drill bit just after drilling, as it may be hot.
- The intended use is described in this instruction manual. The use of any accessory or attachment or performance of any operation with this tool other than those recommended in this instruction manual may present a risk of personal injury and/or damage to property.

Residual risks

Even with the application of the relevant safety regulations and the implementation of safety devices, certain residual risks can not be avoided. These include:

- Injuries caused by touching any rotating/moving parts.
- Impairment of hearing.
- Risk of injury when changing any parts, or accessories.
- Health hazards caused by breathing dust developed when sawing wood, especially oak, beech and MDF.
- Injuries caused by prolonged use of a tool. When using any tool for prolonged periods ensure you take regular breaks.

Safety of others

This appliance is not intended for use by persons (including children) with reduced physical, sensory or mental capabilities, or lack of experience and knowledge, unless they have been given supervision or instruction concerning use of the appliance by a person responsible for their safety.

Children should be supervised to ensure that they do not play with the appliance.

Labels on tool

The label on your tool may include the following symbols:



Warning! To reduce the risk of injury, the user must read the instruction manual.



Always wear safety goggles



Always wear safety hearing protection

Position of date barcode

The Date Code, which also includes the year of manufacture, is printed into the housing.

Example:

2015 XX ZY
Year of manufacturing

Electrical safety



This tool is double insulated; therefore no earth wire is required. Always check that the power supply corresponds to the voltage on the rating plate.

- If the supply cord is damaged, it must be replaced by the manufacturer or an authorised STANLEY Service Centre in order to avoid a hazard.

Using an extension cable

- Always use an approved extension cable suitable for the power input of this tool (see technical data). Before use, inspect the extension cable for signs of damage, wear and ageing. Replace the extension cable if damaged or defective. When using a cable reel, always unwind the cable completely. Use of an extension cable not suitable for the power input of the tool or which is damaged or defective may result in a risk of fire and electric shock.

Features

This tool includes some or all of the following features.

1. Variable speed switch
2. Lock-on button
3. Forward/reverse button
4. Drilling mode selector
5. Chuck
6. Depth stop
7. Side handle

Assembly



Warning! Before assembly, make sure that the tool is switched off and unplugged.

Fitting the side handle and depth stop (fig.A,B)

- Turn the grip counter clockwise until you can slide the side handle (7) onto the front of the tool as shown (fig.A).
- Rotate the side handle into the desired position.
- Insert the depth stop(6) into the mounting hole as shown (fig.B).

- Set the drilling depth as described below.
- Tighten the side handle by turning the grip clockwise.

Fitting a drill bit (fig.C)

- Open the chuck by turning the sleeve (5) counter clockwise.
- Insert the bit shaft (9) into the chuck (drill bit not included).
- Insert the chuck key(10) into each hole (8) in the side of the chuck and turn clockwise until it is tight.

Removing and refitting the chuck (fig.D)

- Open the chuck as far as possible.
- Remove the chuck retaining screw, located in the chuck, by turning it clockwise using a screwdriver.
- Tighten an Allen key into the chuck and strike it with a Impact as shown.
- Remove the Allen key. Remove the chuck by turning it counter clockwise.
- To refit the chuck, screw it onto the spindle and secure it with the chuck retaining screw.

Use



Warning! Let the tool work at its own pace. Do not overload.



Warning! Before drilling into walls, floors or ceilings, check for the location of wiring and pipes.

Selecting the direction of rotation (fig.E)

For drilling and for tightening screws, use forward (clockwise) rotation. For loosening screws or removing a jammed drill bit, use reverse (counter clockwise) rotation.

- To select forward rotation, push the forward/reverse button (3) to the left position.
- To select reverse rotation, push the forward/reverse button (3) to the right. **Warning!** Never change the direction of rotation while the motor is running.

Selecting the drilling mode

- For drilling in masonry, set the drilling mode selector (4) to the **T** position.
- For drilling in other materials and for screwdriving, set the drilling mode selector to the **2** position.

Setting the drilling depth (fig.B)

- Slacken the side handle (7) by turning the grip counter clockwise.
- Set the depth stop(6) to the desired position. The maximum drilling depth is equal to the distance between the tip of the drill bit and the front end of the depth stop.
- Tighten the side handle by turning the grip clockwise.

Switching on and off

- To switch the tool on, press the variable speed switch(1). The tool speed depends on how far you press the switch. As a general rule, use low speeds for large diameter drill bits and high speeds for smaller diameter drill bits.
- For continuous operation, press the lock-on button (2) and release the variable speed switch. This option is available only at full speed in both forward and reverse modes.
- To switch the tool off, release the variable speed switch. To switch the tool off when in continuous operation, press the variable speed switch again and release it.
- Based on the different applications, turn around the speed dial(11) to control the maximum speed.

Drilling in metal

Start drilling with slow speed and increase to full power while applying firm pressure on the tool. A smooth even flow of metal chips indicates the proper drilling rate. Use a cutting lubricant when drilling metals. The exceptions are cast iron and brass which should be drilled dry.

NOTE: Large [5/16" (8 mm) to 1/2" (13 mm)] holes in steel can be made easier if a pilot hole [5/32" (4 mm) to 3/16" (5 mm)] is drilled first.

Drilling in wood

Start drilling with slow speed and increase to full power while applying firm pressure on the tool. Holes in wood can be made with the same twist drills used for metal. These bits may overheat unless pulled out frequently to clear chips from the flutes. Work that is apt to splinter should be backed up with a block of wood.

Drilling in masonry

When drilling in masonry, use carbide-tipped bits rated for Impact drilling and be certain that the bits are sharp. Use a constant and firm force on the tool to drill most effectively. A smooth, even flow of dust indicates the proper drilling rate.

Screwdriving

Select forward or reverse rotation.

Accessories

The performance of your tool depends on the accessory used. STANLEY accessories are engineered to high quality standards and designed to enhance the performance of your tool. By using these accessories you will get the very best from your tool.

Maintenance

Your tool has been designed to operate over a long period of time with a minimum of maintenance. Continuous satisfactory operation depends upon proper tool care and regular cleaning.

Warning! Before performing any maintenance, switch off and unplug the tool.

- Regularly clean the ventilation slots in your tool using a soft brush or dry cloth.
- Regularly clean the motor housing using a damp cloth. Do not use any abrasive or solvent-based cleaner.

Notes

- STANLEY's policy is one of continuous improvement to our products and as such, we reserve the right to change product specifications without prior notice.
- Standard equipment and accessories may vary by country.
- Product specifications may differ by country.
- Complete product range may not be available in all countries. Contact your local STANLEY dealers for range availability.

Service Information

STANLEY offers a full network of company-owned and/ or authorized service agents throughout your country. All STANLEY Service Centers are staffed with trained personnel to provide customers with efficient and reliable power tool service. Whether you need technical advice, repair, or genuine factory replacement parts, contact the STANLEY location nearest to you.

Technical data

		SDH600	SDH700
Input voltage	V _{AC}	220-240	220-240
Power input	W	600	700
Frequency	Hz	50/60	50/60
No-load speed	min ⁻¹	0-2900	0-2900
Impact rate	ipm	49300	49300
Chuck capacity	mm	1.5-13	1.5-13
Max.Drilling Capacity			
Concrete/Metal/Wood	mm	13/13/25	13/13/30
Weight	kg	1.75	1.87

Protecting the environment

Separate collection. This product must not be disposed of with normal household waste.

Should you find one day that your STANLEY product needs replacement, or if it is of no further use to you, do not dispose of it with household waste. Make this product available for separate collection.



Separate collection of used products and packaging allows materials to be recycled and used again.

Re-use of recycled materials helps prevent environmental pollution and reduces the demand for raw materials.

Local regulations may provide for separate collection of electrical products from the household, at municipal waste sites or by the retailer when you purchase a new product.

STANLEY provides a facility for the collection and recycling of STANLEY products once they have reached the end of their working life. To take advantage of this service please return your product to any authorised repair agent who will collect them on our behalf.

You can check the location of your nearest authorised repair agent by contacting your local STANLEY office at the address indicated in this manual. Alternatively, a list of authorised STANLEY repair agents and full details of our after-sales service and contacts are available on the Internet at: www.2helpU.com

One year warranty

If your STANLEY product becomes defective due to faulty materials or workmanship within 12 months from the date of purchase, STANLEY guarantees to replace all defective parts free of charge or – at our discretion – replace the unit free of charge provided that:

- The product has not been misused and has been used in accordance with the instruction manual;
- The product has been subject to fair wear and tear;
- Repairs have not been attempted by unauthorized persons;
- Proof of purchase is produced;
- The STANLEY product is returned complete with all original components;
- The product hasn't been used for hire purposes.

If you wish to make a claim, contact your seller or check the location of your nearest authorised STANLEY repair agent in the STANLEY catalogue or contact your local STANLEY office at the address indicated in this manual. A list of authorised STANLEY repair agents and full details of our after sales service is available on the internet at: www.2helpU.com

Usage prévu

“Votre perceuse à percussion STANLEY SDH600- SDH700 peut visser et percer le bois, le métal, le plastique et la pierre. Cet outil est prévu pour un usage professionnel.”

Consignes de sécurité

Consignes de sécurité concernant les outils électroportatifs



Attention ! Lisez avec attention tous les avertissements et toutes les instructions. Le non-respect de cette consigne peut entraîner une électrocution, un incendie et/ou de graves blessures.

Conservez tous les avertissements et instructions pour référence ultérieure.

La notion d'« outil électroportatif » mentionnée par la suite se rapporte à des outils électriques raccordés au secteur (avec câble de raccordement) ou fonctionnant avec piles (sans fil).

1. Sécurité de la zone de travail

- a. **Maintenez la zone de travail propre et bien éclairée.** Un lieu de travail en désordre ou mal éclairé augmente le risque d'accidents.
- b. **N'utilisez pas les outils électroportatifs dans un environnement présentant des risques d'explosion ni en présence de liquides, gaz ou poussières inflammables.** Les outils électroportatifs génèrent des étincelles risquant d'enflammer les poussières ou les vapeurs.
- c. **Tenez les enfants et autres personnes éloignés durant l'utilisation de l'outil électroportatif.** En cas d'inattention, vous risquez de perdre le contrôle.

2. Sécurité électrique

- a. **La prise de l'outil électroportatif doit être compatible avec la prise d'alimentation. Ne modifiez en aucun cas la prise. N'utilisez pas de prises d'adaptateur avec des appareils ayant une prise de terre.** Le respect de ces consignes réduit le risque de choc électrique.
- b. **Évitez le contact physique avec des surfaces mises à la terre telles que tuyaux, radiateurs, fours et réfrigérateurs.** Il y a un risque élevé de choc électrique si votre corps est relié à la terre.
- c. **N'exposez pas l'outil électroportatif à la pluie ou à l'humidité.** La pénétration d'eau dans un outil électroportatif augmente le risque de choc électrique.

- d. **Préservez le câble d'alimentation. N'utilisez pas le câble pour porter l'outil. Ne le tirez pas pour le débrancher. Maintenez le câble éloigné des sources de chaleurs, des parties huilées, des bords tranchants ou des parties de l'appareil en rotation.** Le risque de choc électrique augmente si les câbles sont endommagés ou emmêlés.
- e. **Si vous utilisez l'outil électroportatif à l'extérieur, utilisez une rallonge homologuée pour une utilisation à l'extérieur.** L'utilisation d'une rallonge électrique homologuée pour les travaux à l'extérieur réduit le risque de choc électrique.
- f. **Si l'outil doit être utilisé dans un endroit humide, prenez les précautions nécessaires en utilisant un dispositif à courant résiduel (RCD).** L'utilisation d'un tel dispositif réduit les risques d'électrocution.

3. Sécurité personnelle

- a. **Restez vigilant, surveillez ce que vous faites. Faites preuve de bon sens quand vous utilisez un outil électroportatif. N'utilisez pas l'outil lorsque vous êtes fatigué ou après avoir consommé de l'alcool ainsi que des médicaments.** Un moment d'inattention lors de l'utilisation de l'outil peut entraîner de graves blessures.
- b. **Portez un équipement de protection. Portez toujours des lunettes de protection.** Selon le travail à effectuer, le port d'équipement de protection tels que masque anti-poussières, chaussures de sécurité antidérapantes, casque ou protection auditive, réduit le risque de blessures.
- c. **Évitez un démarrage imprévu. L'outil doit être en position OFF (arrêt) avant d'effectuer le branchement à l'alimentation et/ou au bloc-batterie, de le ramasser ou de le porter.** Ne laissez pas votre doigt sur le bouton de commande en le transportant. N'alimentez pas l'outil si le bouton est activé. Ceci pourrait être à l'origine d'accident.
- d. **Enlevez tout outil ou clé de réglage avant de mettre l'appareil en marche.** Une clé ou un outil se trouvant sur une pièce en rotation peut causer des blessures.
- e. **Adoptez une position confortable. Adoptez une position stable et gardez votre équilibre en permanence.** Vous contrôlerez mieux l'outil dans des situations inattendues.
- f. **Portez des vêtements appropriés. Ne portez pas de vêtements amples ou de bijoux. N'approchez pas les cheveux, vêtements ou gants des parties des pièces mobiles.** Les vêtements amples, les bijoux ou les cheveux longs peuvent s'accrocher dans les pièces en mouvement.

g. En cas d'utilisation d'appareils servant à aspirer ou à recueillir les poussières, assurez-vous qu'ils sont correctement raccordés et utilisés. L'utilisation de tels dispositifs réduit les dangers dus aux poussières.

4. Utilisation des outils électroportatifs et précautions

a. Respectez la capacité de l'outil. Utilisez l'outil électroportatif correspondant au travail à effectuer. Avec un outil approprié, vous travaillerez mieux et en toute sécurité.

b. N'utilisez pas un outil électroportatif dont l'interrupteur est défectueux. Un outil électroportatif qui ne peut plus être mis en marche/arrêt présente un danger et doit être réparé.

c. Retirez la prise de courant et/ou débranchez le bloc-batterie avant d'effectuer des réglages, de changer les accessoires ou de ranger l'outil. Cette mesure de précaution empêche de mettre l'outil en marche accidentellement.

d. Rangez les outils électroportatifs hors de portée des enfants. Les personnes ne connaissant pas l'outil ou n'ayant pas lu ces instructions ne doivent en aucun cas l'utiliser. Les outils électroportatifs sont dangereux lorsqu'ils sont utilisés par des personnes non initiées.

e. Entretenez les outils électroportatifs. Vérifiez que les parties mobiles fonctionnent correctement et qu'elles ne sont pas coincées. Vérifiez qu'il n'y a pas de pièces cassées ou endommagées susceptibles de nuire au bon fonctionnement de l'outil. S'il est endommagé, faites réparer l'outil avant de l'utiliser. De nombreux accidents sont dus à des outils électroportatifs mal entretenus.

f. Maintenez les outils de coupe aiguisés et propres. Des outils soigneusement entretenus avec des bords tranchants bien aiguisés se coincent moins souvent et peuvent être guidés plus facilement.

g. Utilisez les outils électroportatifs, les accessoires, etc., en suivant ces instructions et en tenant compte des conditions de travail, ainsi que du travail à effectuer. L'utilisation des outils électroportatifs à d'autres fins que celles prévues peut vous mettre en situation dangereuse.

5. Réparations

a. Faites réparer votre outil électroportatif uniquement par du personnel qualifié et seulement avec des pièces de rechange appropriées. Cela garantira le maintien de la sécurité de votre outil.



Attention ! Prendre encore plus de précautions pour les perceuses et les perceuses à percussion.

- Portez un serre-tête antibruit si vous utilisez une perceuse à percussion. L'exposition au bruit peut entraîner la perte de l'ouïe.
- Utilisez les poignées auxiliaires livrées avec l'outil. La perte de contrôle peut entraîner des blessures.
- Tenez l'outil au niveau des surfaces de prise isolées. Ceci permet d'éviter les accidents en cas de contact de l'accessoire de coupe avec des fils cachés ou son propre câble. En touchant un fil sous tension, la charge électrique passe dans les parties métalliques de l'outil électroportatif et il y a risque de choc électrique.
- Utilisez des pinces ou autres pour fixer et soutenir la pièce de manière stable. Si vous la tenez à la main ou contre votre corps, elle ne sera pas stable et vous pouvez en perdre le contrôle.
- Avant de percer les murs, les planchers ou les plafonds, vérifiez l'emplacement des câblages et des tuyaux.
- Évitez de toucher le bout d'un foret juste après avoir percé. Il peut être chaud.
- Les consignes d'utilisation sont données dans ce manuel d'instructions. L'utilisation d'un accessoire ou d'une fixation, ou bien l'utilisation de cet outil à d'autres fins que celles recommandées dans ce manuel d'instructions peut entraîner des blessures et/ou des dommages matériels.

Risques résiduels

Même en appliquant les réglementations de sécurité pertinentes et en mettant en oeuvre les dispositifs de sécurité, certains risques résiduels ne peuvent être évités. Ils comprennent :

- Les blessures provoquées par le contact avec des pièces en rotation/mouvement.
- Diminution de l'acuité auditive.
- Le risque de blessure en changeant des pièces ou accessoires.
- Les risques pour la santé causés par la respiration de la poussière causée lors du sciage du bois, notamment le chêne, le hêtre et les panneaux de fibre.
- Les blessures provoquées par une utilisation prolongée de l'outil. Assurez-vous de faire des pauses régulières lorsque vous utilisez un outil pour des périodes prolongées.

Consignes de sécurité supplémentaires concernant les outils électroportatifs

Sécurité d'autrui

L'utilisation de cet appareil n'est pas prévue pour les personnes (y compris les enfants) ayant des capacités physiques, sensorielles ou mentales limitées, ou qui manquent d'expérience et de connaissances, sauf si ces personnes sont surveillées ou instruites sur l'utilisation de l'appareil par une personne responsable de leur sécurité. Les enfants doivent être surveillés pour s'assurer qu'ils ne jouent pas avec l'appareil.

Étiquettes de l'outil

L'étiquette apposée sur votre outil peut contenir les symboles suivants ainsi que le code de date :



Attention ! Pour réduire le risque de blessures, l'utilisateur doit lire le manuel d'instructions.



Portez toujours des lunettes de sécurité.



Portez toujours un serre-tête antibruit.

Position le code de la date (Fig.1)

Le code de la date, comprenant aussi l'année de fabrication, est imprimé sur le boîtier de l'outil.

Exemple:

2015 XX ZY
Année de fabrication

Sécurité électrique



Cet outil est doublement isolé. Par conséquent, aucun câble de mise à la terre n'est nécessaire. Vérifiez si l'alimentation mentionnée sur la plaque signalétique de l'outil correspond bien à la tension présente sur le lieu.

- Si le câble d'alimentation est endommagé, il doit être remplacé par le fabricant ou par un Centre de réparation agréé STANLEY pour éviter les risques éventuels.

Utilisation d'une rallonge

La rallonge utilisée doit être conforme aux normes et doit s'adapter exactement à la prise de cette machine (voir les données techniques). Avant d'utiliser la rallonge, assurez-vous qu'elle est en bon état et récente. Remplacez la rallonge si elle est en mauvais état. Si vous utilisez un dévidoir, le câble doit être complètement déroulé. Le nonrespect de toutes ces consignes, risque de provoquer un incendie et un choc électrique.

Utilisation d'une rallonge

La rallonge utilisée doit être conforme aux normes et doit s'adapter exactement à la prise de cette machine (voir les données techniques). Avant d'utiliser la rallonge,

assurez-vous qu'elle est en bon état et récente. Remplacez la rallonge si elle est en mauvais état. Si vous utilisez un dévidoir, le câble doit être complètement déroulé. Le nonrespect de toutes ces consignes, risque de provoquer un incendie et un choc électrique.

Caractéristiques

Cet outil comprend certaines des caractéristiques suivantes ou leur intégralité.

1. Interrupteur de vitesse variable
2. Bouton de verrouillage
3. Bouton de marche avant/arrière
4. Sélecteur de mode de perçage
5. Mandrin
6. Butée de profondeur
7. Poignée latérale

Montage



Avertissement ! Avant l'assemblage, assurez-vous que l'outil est hors tension et débranché.

Installation de la poignée latérale et de la butée de profondeur (fig. A, B)

- Tournez le manche dans le sens contraire des aiguilles d'une montre jusqu'à ce que vous puissiez glisser la poignée latérale sur le devant de l'outil, comme indiqué (fig. A).
- Tournez la poignée latérale dans la position souhaitée.
- Insérez la butée de profondeur (6) dans le trou de montage, comme indiqué (fig. B).
- Configurez la butée de profondeur comme décrit ci-dessous.
- Tournez le manche dans le sens des aiguilles d'une montre pour serrer la poignée latérale.

Installation d'une mèche (fig. C)

- Ouvrez le mandrin en tournant le manchon (5) dans le sens contraire des aiguilles d'une montre.
- Insérez l'arbre de la mèche (9) dans le mandrin (mèche non incluse).
- Insérez la clé de mandrin (10) dans chaque trou (8) du côté du mandrin, puis tournez-la dans le sens des aiguilles d'une montre jusqu'à ce qu'elle soit droite.

Retrait et réinstallation du mandrin (fig. D)

- Ouvrez le mandrin autant que possible.
- Retirez la vis qui le retient, située dans le mandrin, en la tournant dans le sens des aiguilles d'une montre à l'aide d'un tournevis.
- Serrez une clé d'Allen dans le mandrin et frappez-la à l'aide d'un marteau comme indiqué.
- Retirez la clé d'Allen, puis retirez le mandrin en le tournant dans le sens contraire des aiguilles d'une montre.
- Pour le replacer, vissez-le sur la broche et fixez-le avec la vis qui sert à le retenir.

Utilisation

Avertissement : Laissez l'outil travailler à son propre rythme, ne le surchargez pas.



Avertissement : Avant de percer dans des murs, des sols ou des plafonds, renseignez-vous sur l'emplacement des câbles et des tuyaux.

Sélection du sens de rotation (fig. E)

Pour le perçage et le serrage de vis, utilisez une rotation vers l'avant (dans le sens des aiguilles d'une montre). Pour le desserrage de vis ou le retrait d'une mèche coincée, utilisez une rotation vers l'arrière (dans le sens contraire des aiguilles d'une montre).

- Pour sélectionner la rotation vers l'avant, poussez le bouton de marche avant/arrière (3) sur la position de gauche.
- Pour sélectionner la direction opposée, poussez le bouton de marche avant/arrière (3) vers la droite.
Avertissement : Ne changez jamais le sens de rotation tant que le moteur est en marche.

Sélection du mode de perçage

- Pour percer des matériaux de maçonnerie, placez le sélecteur de mode de perçage (4) sur la position **T**.
- Pour le perçage d'autres matériaux ou pour le vissage, placez le sélecteur de mode de perçage (4) sur la position **1**.

Configuration de la profondeur de perçage (fig. B)

- Tournez le manche dans le sens contraire des aiguilles d'une montre pour desserrer la poignée latérale (7).

- Placez la butée de profondeur (6) à la position souhaitée. La profondeur de perçage maximale est égale à la distance entre l'extrémité de la mèche et l'avant de la butée.
- Tournez le manche dans le sens des aiguilles d'une montre pour serrer la poignée latérale.

Mise sous/hors tension

- Pour mettre l'outil sous tension, appuyez sur l'interrupteur de vitesse variable (1). Sa vitesse dépend de la distance à laquelle vous poussez l'interrupteur. En règle générale, utilisez les vitesses faibles avec des mèches à diamètre important et les vitesses élevées avec les mèches au diamètre plus petit.
- Pour un fonctionnement en continu, appuyez sur le bouton de verrouillage (2) et relâchez l'interrupteur de vitesse variable. Cette option n'est disponible qu'à pleine vitesse, vers l'avant et vers l'arrière.
- Pour mettre l'outil hors tension, relâchez l'interrupteur de vitesse variable. Pour une mise hors tension alors que l'outil est en mode de fonctionnement continu, appuyez sur l'interrupteur de vitesse variable et relâchez-le.
- En fonction de l'application, contrôlez la vitesse maximale à l'aide du variateur de vitesse (11).

Perçage dans le métal

Commencez à percer à une vitesse réduite, puis passez progressivement à la puissance maximale, tout en appliquant une pression ferme sur l'outil. Un débit régulier et léger de copeaux de métal indique la vitesse de perçage appropriée. Utilisez un lubrifiant de coupe pour percer les métaux, à l'exception de la fonte et du laiton, qui doivent être percés à sec.

REMARQUE : Le perçage de gros trous (8 à 13 mm) dans l'acier peut être facilité en perçant au préalable un trou pilote (4 à 5 mm).

Perçage dans les murs

Lorsque vous percez des murs, utilisez des mèches à pointe carbure, étudiées pour le perçage à percussion. Assurez-vous également qu'elles sont aiguisées. La méthode de perçage la plus efficace consiste à appliquer une force constante et ferme sur l'outil. Un débit régulier et léger de poussière indique la vitesse de perçage appropriée.

Vissage

Choisissez d'effectuer une rotation vers l'avant ou vers l'arrière.

Accessoires

La qualité du travail réalisé par votre outil dépend des accessoires utilisés. Les accessoires STANLEY correspondent aux normes de qualité supérieure et sont conçus pour donner le meilleur résultat possible. L'utilisation de ces accessoires vous permettra de tirer pleinement profit de votre outil.

Entretien

Votre outil a été conçu pour fonctionner pendant longtemps avec un minimum d'entretien. Un fonctionnement continu satisfaisant dépend d'un nettoyage régulier et d'un entretien approprié de l'outil.

Attention ! Préalablement à toute opération d'entretien, éteignez et débranchez l'outil.

Nettoyez régulièrement les orifices de ventilation de votre outil à l'aide d'une brosse souple ou d'un chiffon sec.

Nettoyez régulièrement le compartiment du moteur à l'aide d'un chiffon humide. N'utilisez pas de produit abrasif ou à base de solvant.

Remarques

- Stanley adopte une politique d'amélioration continue de ses produits et se réserve donc le droit d'en modifier les spécifications sans avis préalable.
- Les équipements et accessoires standard peuvent varier en fonction du pays.
- Les spécifications peuvent varier en fonction du pays.
- La gamme de produits complète peut ne pas être disponible dans tous les pays. Contactez votre distributeur Stanley local pour savoir quels produits sont disponibles.

Caractéristiques techniques

		SDH600	SDH700
Tension d'entrée	VAC	220-240	220-240
Puissance	W	600	700
Frequency	Hz	50/60	50/60
Aucune vitesse de charge	min ⁻¹	0-2900	0-2900
Résistance au choc	ipm	49300	49300
Capacité du mandrin	mm	1.5-13	1.5-13
Capacité max de perçage			
Béton/Acier/Bois	mm	13/13/25	13/13/30
Poids	kg	1.75	1.87

Protection de l'environnement



Recyclage. Ce produit ne doit pas être jeté avec les déchets ménagers.

Si votre appareil/outil STANLEY doit être remplacé ou si vous ne l'utilisez plus, ne le jetez pas avec les ordures ménagères. Songez à la protection de l'environnement et recyclez-le.



La collecte séparée des produits et des emballages usagés permet de recycler et de réutiliser des matériaux. La réutilisation de matériaux recyclés évite la pollution de l'environnement et réduit la demande de matières premières.

Des réglementations locales peuvent stipuler la collecte séparée des produits électriques et des produits ménagers, dans des déchetteries municipales ou par le revendeur lorsque vous achetez un nouveau produit.

STANLEY offre une solution permettant de recycler les produits STANLEY lorsqu'ils ont atteint la fin de leur cycle de vie. Pour pouvoir profiter de ce service, veuillez retourner votre produit à un réparateur agréé qui se chargera de le collecter pour nous.

Pour connaître l'adresse du réparateur agréé le plus proche de chez vous, contactez le bureau STANLEY à l'adresse indiquée dans ce manuel. Une liste de réparateurs agréés par STANLEY et de plus amples détails sur notre service après-vente et ses coordonnées sont disponibles sur le site Internet à l'adresse suivante : www.2helpU.com

Garantie 1 an

"Si votre appareil STANLEY s'avère défectueux en raison d'un vice de matériau ou de fabrication dans les 12 mois à compter de sa date d'achat, STANLEY garantit le remplacement gratuit de toute pièce défectueuse ou – à notre discrétion – le remplacement gratuit de l'appareil, à condition que :"

- L'appareil n'ait pas été utilisé avec négligence et qu'il ait été utilisé en suivant les instructions contenues dans ce manuel.
- L'appareil ait été soumis à une usure normale;
- Aucune réparation n'ait été effectuée par du personnel non autorisé;
- Une preuve d'achat soit fournie;
- L'appareil STANLEY soit retourné complet, avec l'ensemble de ses composants originaux;
- L'utilisateur n'a pas utilisé le produit à des fins locatives.

Pour avoir recours à la garantie, contactez votre revendeur ou consultez l'emplacement du centre de réparations agréé STANLEY le plus proche dans le catalogue STANLEY ou contactez le service clientèle STANLEY à l'adresse indiquée dans ce manuel. Une liste des centres de réparations agréés STANLEY et tout détail complémentaire concernant notre service après-vente sont à votre disposition sur notre site internet : www.2helpU.com

حماية البيئة

التجميع المنفصل. هذا المنتج يجب ألا يتم التخلص منه ضمن النفايات المنزلية.



"إذا ما اكتشف يوماً ما أن جهازك ستانلي بحاجة إلى استبدال، أو أنه لم يعد ذا نفع لك، فلا تتخلص منه بإلقائه ضمن القمامة المنزلية. احرص على إتاحة هذا المنتج لقطاع التجميع المنفصل."

التجميع المنفصل للمنتجات والعبوات المستعملة يتيح إمكانية إعادة تدوير الخامات وإعادة استخدامها. إعادة استخدام المواد المعاد تدويرها يساعد على منع حدوث التلوث البيئي ويقلل من الاحتياج إلى المواد الخام.



القواعد والتشريعات المحلية يمكن أن تنظم عملية التجميع المنفصل للمنتجات الكهربائية الصادرة عن المخلفات المنزلية، سواء لدى أماكن تجميع النفايات المحلية أو بائع التجزئة عند شرائك لمنتج جديد.

توفر ستانلي مرافق لجمع وإعادة تدوير منتجات بلاك أند ديكر حينما تصل إلى نهاية عمرها الافتراضي للعمل. للاستفادة من هذه الخدمة، برجاء إعادة المنتج إلى أي وكيل إصلاح معتمد يقوم بجمعها نيابة عنا.

يمكنك التحقق من موقع أقرب وكيل إصلاح معتمد من خلال الاتصال بمكتب ستانلي المحلي على العنوان المشار إليه في الدليل. وبدلاً من ذلك، توجد قائمة بوكلاء الإصلاح المعتمدين من ستانلي وبياناتهم الكاملة لخدمات ما بعد البيع وبيانات اتصالاتهم على موقع الإنترنت:

www.2helpU.com

ضمان سنة واحدة

إذا وجد في منتج ستانلي عيب تصنيع أو خامات في غضون ١٢ شهراً من تاريخ الشراء، تضمن لك ستانلي استبدال جميع الأجزاء المعيبة أو استبدال الوحدة مجاناً وفق تقديرنا المطلق شرطية:

- عدم إساءة استخدام المنتج ووجوب استخدامه وفقاً للدليل التعليمات.

- عدم تعرض المنتج للبلي والإهلاك العادي.

- عدم محاولة إصلاح المنتج عن طريق أشخاص غير معتمدين.

- تقديم سند إثبات الشراء.

- إعادة منتج ستانلي كاملاً مع جميع المكونات الأصلية.

- عدم استخدام المنتج لأغراض التأجير.

إذا كنت ترغب في المطالبة بالضمان، اتصل ببائعك أو تحقق من موقع أقرب وكيل إصلاح معتمد لستانلي أو اتصل على مكتب ستانلي المحلي على العنوان المشار إليه في هذا الدليل. كما يمكن الحصول على قائمة بوكلاء الإصلاح المعتمدين من ستانلي وبياناتهم الكاملة لخدمات ما بعد البيع على موقع الإنترنت: www.2helpU.com

الصيانة

البيانات الفنية

SDH700	SDH600		
٢٤٠-٢٢٠	٢٤٠-٢٢٠	فولط تيار متردد	جهد الدخل
٧٠٠	٦٠٠	واط	دخل القدرة
٦٠/٥٠	٦٠/٥٠	هرتز	التردد
٢٩٠٠-٠	٢٩٠٠-٠	دقيقة-١	السرعة دون حمل
٤٩٣٠٠	٤٩٣٠٠	دقيقة-١	معدل الصدم
١٣-١,٥	١٣-١,٥	ملم	سعة الظرف
القدرة القصوى للثقب			
٣٠/١٣/١٣	٢٥/١٣/١٣	ملم	الخشب/الصلب/الخرسانة
١,٧٥	١,٨٧	كجم	الوزن

صُمم الجهاز ليعمل لوقت طويل مع أقل قدر من الصيانة. ويعتمد استمرار الحصول على التشغيل المرضي على التنظيف المنتظم للجهاز والعناية به.

تحذير! قبل إجراء أي صيانة، أوقف تشغيل الجهاز وافصله عن مصدر التيار الكهربائي.

- نظف فتحات التهوية باستمرار باستخدام فرشاة ناعمة أو قطعة قماش جافة.
- نظف غطاء المحرك باستمرار باستخدام قطعة قماش رطبة. ولا تستخدم أي منظفات كاشطة أو مذيبة.

ملاحظات

- تعتمد سياسة ستانلي على تحسين منتجاتنا باستمرار. وبناءً على ذلك فإننا نحتفظ بحقنا في تغيير مواصفات المنتج دون إشعار مسبق.
- قد تختلف المعدات والملحقات القياسية حسب البلد.
- قد تختلف مواصفات المنتج حسب البلد.
- قد لا تتوفر تشكيلة المنتجات الكاملة في جميع الدول. يرجى التواصل مع موزعي ستانلي للتحقق من توافر المنتجات.

معلومات الخدمة

توفر شركة ستانلي شبكة كاملة من مراكز الخدمة المملوكة من قبل الشركة والمعتمدة، وتعتبر كافة مراكز خدمة ستانلي مجهزة بكوادر مدربة لتزويد العملاء بخدمة فعالة وموثوقة للأجهزة. لمزيد من المعلومات عن مراكز الخدمة المعتمدة لدينا وإذا كنت بحاجة لمشورة فنية أو صيانة أو قطع غيار أصلية من المصنع، اتصل بأقرب موقع لستانلي.

- لتشغيل المستمر. اضغط على زر الإقفال (٢) ثم حرر مفتاح تغيير السرعة. هذا الخيار متاح فقط عند السرعة الكاملة في الأوضاع الأمامية والعكسية.
- لإيقاف تشغيل الآلة. قم بتحريك مفتاح تغيير السرعة. لإيقاف تشغيل الآلة في التشغيل المستمر. اضغط على مفتاح تغيير السرعة مرة أخرى ثم حرره.
- على حسب الاستخدامات المختلفة. أدر سرعة قرص الساعة إلى (١١) للتحكم في السرعة القصوى.

النقب في المعادن

ابدأ النقب بسرعة منخفضة وارفع السرعة حتى القوة الكاملة أثناء الضغط بقوة على الآلة. تدفق قطع بنعومة وبالتساوي يشير إلى معدل الحفر السليم. استخدم زيت تشحيم أثناء نقب المعادن. باستثناء الحديد والنحاس حيث يجب النقب الجاف.

"ملاحظة: الثقوب الكبيرة [يعرض من ١٦/٥ بوصة (٨ م) إلى ٢/١ بوصة (١٣ م)] في المعدن يمكن نقيها بسهولة أكبر إذا تم عمل فتحة جريبية [عرضها من ٣٢/٥ بوصة (٤ م) إلى ١٦/٣ بوصة (٥ م)] أولاً."

النقب في الخشب

ابدأ النقب بسرعة منخفضة وارفع السرعة حتى تصل إلى القوة الكاملة مع الضغط بقوة على الآلة. يمكن عمل ثقوب في الخشب بنفس المثقاب الدوار المستخدم في المعدن. من الممكن زيادة حرارة اللقم ما لم تقم بسحبها على فترات صغيرة لتنظيف الرقائق من الأخاديد. يجب دعم العمل الذي هو عرضه للانحناء بقطعه من الخشب.

النقب في أعمال البناء

عند النقب في أعمال البناء. استخدم اللقم ذات الحواف الكابرايد والمصنفة للحفر بالطرق وتأكد أن اللقم حادة. استخدم المثقاب بقوة ثابتة وصارمة لنقب أكثر فاعلية. تدفق الغبار الناعم المتساوي يشير إلى معدل الحفر السليم.

فك البراغي

حدد الدوران للأمام أو للخلف.

الملحقات

يعتمد أداء الجهاز على الملحقات المستخدمة. صُممت ملحقات ستانلي بجودة عالية بغرض تحسين أداء الجهاز. وباستخدام تلك الملحقات، ستتمكن من الحصول على الأداء الأمثل للجهاز.

- لإعادة تركيب القابض. ثبته على عمود الدوران واربطه بواسطة مفك ربط القابض.

الاستخدام

تحذيراً! دع الأداة تعمل بسرعتها. لا تفرط في الاستخدام.



تحذيراً! قبل البدء في النقب في الجوانات، أو الأرضيات أو الأسقف. تحقق من موقع الأسلاك والأنايب.



تحديد اتجاه الدوران (الشكل هـ)

للنقب وربط البراغي. استخدم الدوران إلى الأمام باتجاه عقارب الساعة. لفك البراغي أو إزالة لقمة المثقاب المضغوط. استخدم الدوران للخلف (عكس عقارب الساعة).

- لتحديد الدوران إلى الأمام. اضغط على زر التقدم/العودة إلى الخلف (٣) إلى موضع اليسار.
- لتحديد الدوران إلى الخلف. اضغط على زر التقدم/العودة إلى الخلف (٣) إلى اليمين. تحذيراً! لا تغير اتجاه الدوران أبداً أثناء تشغيل المحرك.

تحديد وضع التنقيب

- للتنقيب في أعمال البناء. قم بضبط محدد وضع النقب (٤) إلى الوضع T.
- للنقب في المواد الأخرى ولفك البراغي. قم بضبط محدد وضع النقب في الوضع 2.

ضبط عمق النقب (الشكل ب)

- أرح المقبض الجانبي (٧) عن طريق لف المقبض عكس اتجاه عقارب الساعة.
- اضبط قابض لقم المثقاب (٦) إلى الموضع المطلوب. العمق الأقصى للنقب مساوٍ للمسافة بين رأس لقمة المثقاب والواجهة الأمامية لحاجز العمق.
- شد المقبض الجانبي عن طريق دوران المقبض في اتجاه عقارب الساعة.

التشغيل وإيقاف التشغيل

- لتشغيل الآلة. اضغط على مفتاح تغيير السرعات (١). تعتمد سرعة الآلة على أي مدى تضغط المفتاح. قاعدة عامة. استخدم سرعات منخفضة للقم المثقاب ذات القطر الكبير وسرعات عالية للقم المثقاب ذات القطر الأقل.

يجب مراقبة الأطفال لضمان عدم اللعب بالجهاز.

٤. محدد وضع الحفر

٥. قابض لقم المثقب

٦. توقف العمق

٧. المقبض الجانبي

الملصقات الموجودة على الجهاز

قد يتضمن الملصق الموجود على جهازك الرموز التالية إلى جانب رمز التاريخ:



تحذيراً لتقليل مخاطر الإصابة. يتعين على المستخدم قراءة دليل التعليمات.



ارتد نظارات السلامة دائماً.



ارتد واقيات حماية الأذنين دائماً.



تحذيراً: قبل التجميع. تأكد أن الآلة مطفأه وغير موصولة بالكهرباء.

التجميع

تركيب المقبض الجانبي وحاجز العمق (الشكل أ. ب)

• أدر المقبض عكس عقارب الساعة حتى يمكن للمقبض الجانبي الانزلاق (٧) على الجزء الأمامي من الآلة كما هو موضح في (الشكل أ).

• أدر المقبض الجانبي إلى الموضع المطلوب.

• أدخل قابض لقم المثقب (١) في فتحة التركيب كما هو موضح في (الشكل ب).

• اضبط عمق الثقب كما هو موضح أدناه.

• اربط المقبض الجانبي عن طريق تدوير المقبض في اتجاه عقارب الساعة.

تركيب لقمة المثقاب (الشكل ج)

• افتح قابض لقم المثقاب عن طريق تدوير الكم الأسطواني (٥) عكس اتجاه عقارب الساعة.

• أدخل مقبض اللقم (٩) داخل قابض لقم المثقاب (لقم المثقاب غير مدرج).

• أدخل مفتاح مقبض لقم المثقاب (١٠) في كل فتحة (٨) في جانب مقبض لقم المثقاب ثم أدره حتى يتم ربطه بإحكام.

إزالة وإعادة تركيب قابض لقم المثقاب (الشكل د)

• افتح قابض لقم المثقاب إلى أقصى حد ممكن.

• قم بإزالة مسمار احتجاز قابض لقم المثقاب. الموجود في قابض اللقم. عن طريق لفه باتجاه عقارب الساعة باستخدام مفك براغي.

• قم بشد مفتاح ألين بقوة داخل قابض لقم المثقاب وضربه بالطرق كما هو مبين.

• قم بإزالة مفتاح ألين. ثم قم بإزالة قابض لقم المثقاب عن طريق لفه في اتجاه عقارب الساعة.

وضع رمز التعرف على التاريخ
رمز التاريخ الذي يتضمن كذلك سنة الصنع مطبوع على الغلاف.

مثال:

XX ZY ٢٠١٥

سنة الصنع

السلامة الكهربائية



هذا الجهاز معزول عزلاً مزدوجاً. لذلك ليست هناك حاجة إلى التأريض. يُرجى التحقق من توافق جهد التيار الكهربائي مع الجهد الموضح على لوحة التقنين.

• عند تلف السلك الكهربائي. يجب استبداله بواسطة أحد مراكز الخدمة المعتمدة التابعة لشركة ستانلي لتفادي التعرض للمخاطر.

استخدام كابل تمديد

استخدم دائماً كابل تمديد معتمداً ومناسباً لدخل طاقة هذا الجهاز (انظر البيانات الفنية). افحص كابل التمديد قبل الاستخدام للتحقق من تلفه أو بليته أو اهترائه واستبدل كابل التمديد إذا كان تالفاً أو معيباً. عند استخدام بكرة كابل. قم ببسط الكابل بالكامل. فاستخدام كابل تمديد غير مناسب لدخل طاقة الجهاز أو استخدام كابل تمديد تالف أو معيب يمكن أن يتسبب في خطر نشوب حريق أو حدوث صدمة كهربائية.

الخصائص

تتضمن هذه الآلة بعض أو جميع هذه الميزات:

١. مفتاح تغيير السرعات

٢. زر الإقفال

٣. زر التقديم/ العودة للخلف

٤. استخدام الجهاز والاعتناء به
- أ. لا تفرط في التحميل على الجهاز واستخدمه فقط فيما هو مخصص له حيث يقوم الجهاز بالمهمة الموكلة له بأمان وبشكل أفضل في المهام المخصص لها.
- ب. لا تستخدم الجهاز إذا كان المفتاح لا يتحكم في بدء تشغيل الجهاز وإيقاف تشغيله، فأني جهاز لا يمكن التحكم فيه بواسطة المفتاح يكون خطراً ويجب إصلاحه.
- ج. افصل القابس من مصدر الطاقة وأو عبوة البطارية من الجهاز قبل إجراء أية تعديلات أو تغيير ملحقات أو تخزين الأجهزة. إجراءات السلامة الوقائية هذه من شأنها المساهمة في تقليل خطر تشغيل الجهاز دون قصد.
- د. خزن الجهاز بعيداً عن متناول أيدي الأطفال ولا تترك الأشخاص غير الملمين بالجهاز أو بتعليمات استخدامه يشغلون الجهاز. حيث يمثل الجهاز خطورة في أيدي المستخدمين غير المدربين.
- هـ. قم بصيانة الجهاز وتحقق من عدم تراس أو ربط الأجزاء المتحركة على نحو غير صحيح وأي ظروف أخرى قد تؤثر على تشغيل الجهاز. وإذا حدث تلف في الجهاز، فينبغي إصلاحه قبل الاستخدام. فالعديد من الحوادث تقع جراء عدم صيانة الأجهزة الكهربائية.

- و. حافظ على أدوات القطع نظيفة وحادة. فأدوات القطع ذات الحواف الحادة التي تتم صيانتها بشكل سليم يصعب إعاقتها ويسهل التحكم فيها.
- ز. استخدم الجهاز وملحقاته ولقمه وغيرها وفقاً لهذه التعليمات مع مراعاة ظروف العمل والعمل المقرر تنفيذه. إن استخدام الجهاز في تنفيذ عمليات ومهام غير المخصص لها قد يتسبب في حدوث مواقف خطيرة.
٥. الخدمة
- أ. يلزم صيانة الجهاز من خلال شخص مؤهل لتنفيذ أعمال الصيانة باستخدام قطع الغيار المطابقة فقط. سوف يضمن ذلك الحفاظ على سلامة الجهاز الكهربائي.

تحذيرات السلامة الإضافية للجهاز

تحذيراً تحذيرات السلامة الإضافية للمثقاب والمنقاب الدقاق 

- ارتد واقبات الأذن مع المثقاب الدقاق. فالتعرض للضوضاء الصادرة عنه يمكن أن يتسبب في فقدان السمع.
- استخدم المقابض المساعدة المقدمة مع الجهاز حيث يمكن أن

- يتسبب فقدان السيطرة على الجهاز في الإصابة الشخصية.
 - امسك الجهاز الكهربائي من الأسطح العزولة عند تنفيذ أي عملية يمكن أن يتلامس فيها ملحق القطع مع الأسلاك الكهربائية الخفية. يمكن للملحق القطع الذي يتلامس مع سلك "يسري به التيار الكهربائي" أن يؤدي إلى تعريض الأجزاء المعدنية للجهاز الكهربائي للتيار الكهربائي، مما يعرض المشغل لصدمة كهربائية.
 - استخدم المشابك أو أي طريقة عملية أخرى لتثبيت ودعم قطعة العمل على منصة مناسبة. إن إمساك قطعة العمل بيدك أو مقابل جسمك يجعلها غير ثابتة مما قد يتسبب في فقدان التحكم في قطعة العمل.
 - تحقق من مكان الأسلاك والأنابيب قبل الثقب في الجوانب أو الأرضيات أو الأسقف.
 - تجنب ملامسة رأس لقمة المثقاب بعد الإنهاء من الثقب حيث يحتمل أن تكون ساخنة.
 - يتضمن دليل التعليمات بيان الغرض من الاستخدام. وقد يتسبب استخدام أي من الملحقات أو الإكسسوارات في غير الاستخدام المخصص لها والوارد في هذا الدليل في خطر الإصابة الشخصية وأو الإضرار بالململكات.
- المخاطر الكامنة**
- وعلى الرغم من تطبيق أنظمة السلامة ذات الصلة واستخدام أجهزة السلامة، لا يمكن تجنب بعض المخاطر. وهذه المخاطر هي:
 - الإصابات الناجمة عن لمس أي أجزاء دوارة/متحركة.
 - الإضرار بحاسة السمع.
 - خطر الإصابة عند تغيير أي من الأجزاء، أو الإكسسوارات.
 - المخاطر الصحية الناجمة عن استنشاق الغبار المنتشر عند نشر الخشب خصوصاً البلوط، والرزان، والـMDF.
 - الإصابات الناجمة عن الاستخدام المطول للآلة. عند استخدام أي آلة لفترات طويلة برعى ضمان أخذ فترات راحة منتظمة.
- سلامة الآخرين**
- هذا الجهاز ليس مخصصاً للاستخدام بواسطة الأشخاص (بما في ذلك الأطفال) الذين يعانون من ضعف في القدرات البدنية، أو الحسية، أو العقلية، أو نقص الخبرة والمعرفة به، ما لم يكن أشرف عليهم أو أعطى لهم تعليمات متعلقة باستخدام الجهاز من قبل شخص مسؤول عن سلامتهم.

الغرض من الاستخدام

واجعل الكابل بعيداً عن الحرارة أو الزيت أو الحواف الحادة أو الأجزاء المتحركة، واعلم بأن الكابلات النالفة أو المشابهة تزيد من خطر الصدمة الكهربائية.

٥. عند تشغيل الجهاز خارج المنزل، استخدم كابل تمديد مناسباً للاستخدام خارج المنزل، حيث إن استخدام كابل مناسب للاستخدام خارج المنزل يقلل من خطر الصدمة الكهربائية.

٦. عند تعذر تجنب تشغيل الجهاز في مكان رطب، استخدم أداة تعمل بالتيار المتبقي لتوفير إمداد طاقة محمي. فاستخدم أداة تعمل بالتيار المتبقي يقلل من خطر الصدمة الكهربائية.

٣. السلامة الشخصية

أ. توخ الحذر وانتهبه لما تقوم به وكن متعملاً عند تشغيل الجهاز، لا تستخدم الجهاز عندما تكون متعباً أو واقعاً تحت تأثير المخدرات أو الكحول أو العقاقير. ف لحظة سهو واحدة أثناء تشغيل الجهاز كفيلة بالتسبب في إصابة شخصية خطيرة.

ب. استخدم معدات الوقاية الشخصية، وارزد دائماً واقبات للأعين، حيث يساعد استخدام معدات الوقاية (مثل قناع الدخان وأحذية السلامة المقاومة للانزلاق وخوذة صلبة وواقبات الأذنين في الظروف المناسبة) في تقليل خطر الإصابة الشخصية.

ج. تجنب حدوث التشغيل العرضي، وتأكد من أن مفتاح التشغيل على وضع إيقاف التشغيل قبل التوصيل بمصدر الطاقة و/أو عبوة البطارية أو رفع الجهاز أو حمله، واعلم أن حمل الجهاز وأصبعك على مفتاح تشغيل الجهاز أو توصيل الجهاز بمصدر الطاقة عندما يكون مفتاح التشغيل على وضع بدء التشغيل من شأنه التسبب في وقوع حوادث.

د. قم بإزالة أي مفتاح تعديل أو مفتاح ربط قبل بدء تشغيل الجهاز حيث من الممكن أن يتسبب ترك مفتاح الربط أو مفتاح التعديل مرفقاً بالجزء الدوار من الجهاز في حدوث إصابة شخصية.

٥. لا تبعد جسديك كثيراً عن الجهاز أثناء تشغيله وحافظ على رسوخ قدميك وتوازنك دائماً لأن هذا يتيح لك تحكماً أفضل في الجهاز الكهربائي عند حدوث مواقف غير متوقعة.

٦. رتد ملابس مناسبة، ولا ترتدي الملابس الفضفاضة أو الجوهرات، وحافظ على شعرك وملابسك وقفازك بعيداً عن الأجزاء المتحركة، لأن الشعر الطويل أو الجوهرات أو الملابس الفضفاضة يمكن أن تعلق بالأجزاء المتحركة.

ز. إذا توفرت مع الجهاز معدات لتثبيت وسائل جمع واستخراج الأتربة، فتأكد من أنها موصلة ومستخدمة بشكل صحيح. فاستخدم عدة جميع الأتربة من شأنه التقليل من المخاطر المتعلقة بالأتربة.

صُمم المثقاب الدقاق ١٠٠ SDH١٠٠-STANLEY SDH٧٠٠ المثقب الخشب، والمعادن، والبلاستيك، ومواد البناء وكذلك لأغراض فك البراغي. أعدت هذه الآلة للاستخدام الشبه احترافي والاحترافي.

تعليمات السلامة

تحذيرات السلامة العامة للجهاز

تحذيراً! يرجى قراءة جميع تعليمات وتحذيرات السلامة، قد يتسبب عدم اتباع التعليمات الواردة أدناه في حدوث صدمة كهربائية أو نشوب حريق أو وقوع إصابة خطيرة.



احفظ جميع التحذيرات والتعليمات للرجوع إليها مستقبلاً.

يشير مصطلح "الجهاز" في جميع التحذيرات الواردة أدناه إلى الجهاز الذي يعمل بمصدر التيار الرئيسي (سلكي) أو الجهاز الذي يعمل بالبطارية (لاسلكي).

١. سلامة منطقة العمل

أ. حافظ على منطقة العمل نظيفة وجيدة الإضاءة، فالمنطقة المظلمة أو التي تعثرها الفوضى مدعاة لوقوع الحوادث.

ب. لا تشغل الجهاز في أجواء انفجارية مثل وجود السوائل أو الغازات أو الجزيئات القابلة للاشتعال، حيث يصدر الجهاز شرراً يمكن أن يتسبب في اشتعال الجزيئات أو الأبخرة.

ج. حافظ على وجود الأطفال والمارة بعيداً أثناء تشغيل الجهاز لأن انشغالك بهم قد يفقدك التحكم في الجهاز.

٢. السلامة الكهربائية

أ. يجب أن تتوافق قوايس الجهاز مع مأخذ التيار، لا تعدل القابس بأي حال من الأحوال، ولا تستخدم أي قوايس معدلة مع جهاز تيارض (مؤرض)، فالقوايس غير المعدلة وتوافقها مع مأخذ التيار من شأنه التقليل من خطر الصدمة الكهربائية.

ب. تجنب ملامسة الجسم للأسطح الأرضية أو المؤرضة مثل الأنابيب والمشعات والسلاسل والمبردات، حيث يتزايد خطر الإصابة بصدمة كهربائية عندما يكون جسمك مؤرضاً أو موصولاً بالأرض.

ج. لا تعرض الجهاز للمطر أو للبلبل حيث تزيد المياه التي تدخل إلى الجهاز من خطر الصدمة الكهربائية.

د. لا تستخدم الكابل بشكل غير سليم، وإياك واستخدام الكابل في حمل أو سحب الجهاز أو شدته لنزعه من القابس.

Names & Addresses for STANLEY Service Concessionaries - MIDDLE EAST & AFRICA

ALGERIA: Sarl Outillage Corporation, 08 Rue Med Boudiaf - Cheraga - Algiers, Algeria. Tel: (213-21) 371530, Fax: (213-21) 369667. **ANGOLA:** Angoferraria, Lda., Rua Robert Shields, No. 61, Luanda, Angola. Tel: 00244-222-395837 / 222-395034, Fax: 00244-222-394790. **AZERBAIJAN:** RYONGOLS Holdings Ltd. 41 Khagani St. Apt. 47 AZ 1001, Baku. Tel: (994-12) 4935544, Fax: (994-12) 5980378. **BAHRAIN:** Kavalani & Sons W.L.L., P.O. Box 71, Sitra, Manama. Tel: (973) 17732888, Fax: (973) 17737379. Alfoz Services Co. W.L.L., P.O. Box 26562, Tubli, Manama. Tel: (973) 17783562, Fax: (973) 17783479. **EGYPT:** El Farab S.A.E., 15-Nabil El Wakkad Street, Dokki, Giza, Egypt. Tel: 00202-37603946 / 002-010-2582544, Fax: 00202-33352796. **ETHIOPIA:** Seif Tewfik Sherif, Arada Sub-City, Kebele 01/02, Global Insurance Building, 2nd Floor, Room 43, P.O. Box 2525, Addis Ababa, Ethiopia. Tel: (251-11) 1563968/ 1563969, Fax: (251-11) 1558009. **IRAQ:** Financial Links, Kazazz Building Arasat Al-Hindia Block No: 629 Street: 31 Building No: 1 Baghdad - Iraq. Tel: 00964 (0)780 195 2223/ 00964 (0)781 3763044. Al Sard Co. for General Trading Ltd. Jbara Bldg. 3Flr, Al Rasheed St. Bagdad. Tel: (964) 18184102. Sakhar Group, Arrasat al-hindya Al Masbah Bldg. (964) 7400144446. **JORDAN:** Palestine Tld. Jbari (Bashiti Hardware), 93 King Abdullah 2nd Street, Opp. ELBA House, P.O. Box 3005, Amman 11953, Tel: (962-6) 5349098, Fax: (962-6) 5330731. **KENYA:** Dextron Tools Ltd., P.O. Box 20121-00200, Shariff House, Kimathi Street, Nairobi. Tel: (254-20) 6905000/ 2358021, Fax: (254-20) 6905111/ 6905112. **KUWAIT:** Al Omar Technical Co., P.O. Box 4062, 13041 Safat, Kuwait. Tel: (965) 24848595/ 24840039, Fax: (965) 24845652. Fawaz Al Zayani Establishment, P.O. Box 42426, Shop No. 18, Al Humaizi Commercial Complex, Khalifa Al Jassim, Shuwaikh, Kuwait. Tel: (965) 24828710, Fax: (965) 24828716. Fawaz Al Zayani Establishment, P.O. Box 42426, Shop No.18, Al Humaizi Commercial Complex, Khalifa Al Jassim, Shuwaikh, Kuwait. Tel: (965) 24828716. Fawaz Al Zayani Establishment, Fahaeel Industrial Area, Main St., Sanaya, Kuwait. Tel: (965) 23925830, Fax: (965) 24828716. **LEBANON:** Est. Shaya & Azar S.A.R.L., Boulevard Jdeideh - Mar Takla - Bouchrieh P.O. Box 90545 Jdeideh.Beirut - Lebanon. Tel: 00961 1 872305 / 306 , Fax: 00961 1 872303. **LIBYA:** North Africa Trading (El Ghoul Brothers), AlHilal Service Center Tawergha St. Misurata. Tel: 00218-091-3221408. **(Benghazi)** Sniydal st., Amr Ibn EL-As Rd. Tel: (+218) 92 5771120. **(Tripoli)** Al Barniq Service Center, Mokhazin elskur st., ElFallah. Tel: (+218) 21 4808019. **(Misrata)** Al Hilal Service Center, Tawergha st. Tel: (+218) 51 262674. **MAURITIUS:** Robert Le Marie Limited, Old Moka Road, Bell Village, P.O. Box 161, Port Louis, Tel: 00230-212 1865/ 212 2847, Fax: 00230-2080843. **MOROCCO:** Ets Louis Guillaud & Cie, 149, Quartier Industriel, Moulay Rachid, Casablanca, Postal Code 20450, Morocco. Tel: 00212-522729233, Fax: 00212-522729096. **NIGERIA:** Meridian Power Tools Ltd., Gr.Floor, #1 Alhaji Masha Rd, Next to Teslim Balogun Stadium, Near National Stadium Surulere, Lagos, Nigeria. Tel: 00234-1-7740431 / 7740410, Fax: 00234-1-7913798. **OMAN:** Al Jizzi Company LLC, P.O. Box 1704,PC 112 Ruwi, Oman. Tel: (968) 24832618/ 24835136, Fax: (968) 24831334/24836460. Al Hassan Technical & Construction Supplies Co. LLC, P.O. Box 1948, P.C. 112, Ruwi, Tel: (968) 24810575 / 24837054, Fax: (968) 24810287/ 24833080. Oman Hardware Co. LLC, P.O. Box 635, Ruwi Postal Code 112, Tel: (968) 24815131, Fax: (968) 24816491. Khimji Ramdas, P.O. Box 19, Post Box 100, Ghala, Muscat, Oman. Tel: (968) 24595906/ 907, Fax: (968) 24852752. Oman Marketing & Service Co. (Omasco), P.O. Box 2734, Behind Honda Showroom, Wattayah, Oman. Tel: (968) 24560232/ 24560255, Fax: (968) 24560993. Oman Marketing & Service Co. (Omasco), Al Ohi, Sohar, Oman. Tel: (968) 26846379, Fax: (968) 26846379. Oman Marketing & Service Co. (Omasco), Sanaya, Salalah, Oman. Tel: (968) 23212290, Fax: (968) 23210936. **PAKISTAN:** ZIT Co - Nasir & Bros., 2nd Floor, Qadri Center, Chowk Dalgran Railway Road, Lahore, Pakistan. Tel: 0092 42 37670839, Fax: 0092 42 37652989. Ammar Service & Spares, 60-Bank Arcade, Serai Road, Karachi, Pakistan. Tel: (92-21) 32426905, Fax: (92-21) 32427214. **QATAR:** Teyseer Industrial Supplies & Services Co. W.L.L. 55, Al Wakalat St. (Between St. 18 & 19) Salwa Industrial Area, P.O. Box 40523 Doha, Qatar. Tel: (974) 44460224. Shaheen Electrical Works & Trading Co. W.L.L, Gate 34, St. 44 Industrial Area P.O. Box 9756, Doha, Tel: (974) 44600230 / 44600525, Fax: (974) 44601338. Al Muffah Service Centre, Al Wakrah Road, P.O. Box 875, Doha, Qatar. Tel: (974) 44650880/ 44650110/ 44446868, Fax: (974) 44441415 / 44662599. **SAUDI ARABIA:** (Al Bahr) Mohamed Ahmed Bin Afif Est., P.O. Box 530, Yanbu, Al Bahr. Tel: (966-4) 3222626/ 3228867, Fax: (966-4) 3222210. (Al Khobar) Fawaz Ebrahim Al Zayani Trading Est., P.O. Box 76026, Al Khobar # 31952, Tel: (966-3) 8140914, Fax: (966-3) 8140824. MSS (Al-Mojil Supply & Services) P.O. Box 450, Jubail 31951, Opp. Gulf Bridge Library & Riyadh House. Tel: (966-3) 3612850/ 3624487/ 3621729, Fax: (966-3) 3623589/ 3620783. (Dammam) MSS (Al-Mojil Supply & Services), P.O. Box 450, Jubail 31951, Opp. Gulf Bridge Library & Riyadh House. Tel: (966-3) 3612850 / 3624487 / 3621729, Fax: (966-3) 3623589 / 3620783. (Al Bawardi Tools & Hardware, P.O. Box 112, Dammam. Tel: (966-3) 8330780 Ext.24 / 8348585 Ext. 24 / +966-3-8335555, Fax: (966-3) 8336303. (Al Hassa) Mutawa Trading & Gen. Services, Maliki road Hafuf city, Al Hassa, KSA. Tel: (966-2) 502846275 (Jeddah) Al Bawardi Tools & Hardware, P.O. Box 16905, Jeddah 21474, Tel: (966-2) 6444547 / 6439035 / 6456095, Fax: (966-2) 6439024. EAC (Al Yousef Contg. & Trdg. Est.), P.O. Box 30377, Jeddah -21477, Tel: (966-2) 6519912, Fax: (966-2) 6511153. (Madina) Garziz Trading for Bldg Mat & Decoration, P.O. Box 3364, Madina. Tel: (966-4) 826 14 90 / 8227636, Fax: (966-4) 8265741. (Riyadh) Industrial Material Organization (IMO), P.O. Box 623, Rail Street ,Riyadh. Tel: (966-1) 4028010 Ext 26 / 8001245757, Fax: (966-1) 4037970. Sultan Garment Factory (RSC), P.O. Box 29912, Riyadh 11467, KSA, Tel: (966-1) 4055148 / 4042889, Fax: (966-1) 4055148. Al Bawardi Tools & Hardware, P.O. Box 68, Riyadh 11411, Tel: (966-1) 4484999, Fax: (966-1) 4487877. (Yanbu) Fawaz Ebrahim Al Zayani, Opposite to Al Fouzan, Jeddah highway or King Abdul Aziz road, Yanbu. Tel: (966-4) 3960980, Fax: (966-4) 3961980. Mohamed Ahmed Bin Afif Est., P.O. Box 530, Yanbu, Al Bahr, Tel: (966-4) 3222626/ 3228867, Fax: (966-4) 3222210. **SOUTH AFRICA:** Stanley Black & Decker - RSA, 199 Winze Drive Stormill Exit 9 Roodoepoort, Tel: (2711) 472 0454, Fax: (2711) 472 0482. Trevo Power Tool Service 14 Steenbok Street, Koedoospoort, 0186, Pretoria, South Africa. Tel: (27-86) 1873826, Fax: (27-86) 5001771. **TANZANIA:** General Motors investment Ltd., P.O. Box 16541, 14 Nyerere Road, Vingunguti, Dar-es-Salaam. Tel: (255 22) 2862661/ 2865022, Fax: (255 22) 2862667. **TUNISIA:** Societe Tunisienne De Maintenance (STM), Rue de la Physique. Nouvelle Zone Industrielle Ben Arous., 2013 Ben Arous, Tunisia. Tel: (+216) 79 3989687, Fax: (+216) 71 385154. **UAE:** (Abu Dhabi) Light House Electrical, P.O. Box 120, Abu Dhabi. Tel: (971-2) 6726131, Fax: (971-2) 6720667. Galaxy Equipment Trading, Madinat Zayed (Baada Zaid), Abu Dhabi P.C. 58910, Tel: (971-2) 8844279, Fax: (971-2) 8844297. (Ajman) Al Sukoon Gen. Trdg. Co. LLC, P.O. Box 2975, Ajman. Tel: (971-6) 7435725/ 7438317, Fax: (971-6) 7437350. Al Sukoon Gen. Trdg. Co. LLC, P.O. Box 2975, Ajman. Tel: (971-6) 7435725 / 7438317, Fax: (971-6) 7437350. (Al Ain) Zillion Equipment and Spare Parts Trading LLC, P.O. Box 19740, Opp. Bin Sadal/ Trimix Redymix Sanaiya, Al Ain. Tel: (971-3) 7216690, Fax: (971-3) 7216103. (Dubai) Black & Decker (Overseas) GmbH, P.O. Box 5420, Dubai. Tel: (971-4) 8127400/ 8127406, Fax: (971-4) 82822765. Ideal Star Workshop Eqp.Trading LLC, P.O. Box 37116, Al Quoz, Dubai, Tel: (971-4) 3474160, Fax: (971-4) 3474157, Fine Tools, P.O.Box 30139 , Al Quoz, Dubai, Tel: (971-4) 3385240, Fax: (971-4) 3385239. Alebrah Engineering Service, P.O. Box 78954, Al Qusais , Dubai, Tel: (971-4) 2850044, Fax: (971-4) 2844802. (Musaffah) Light House Electrical, P.O. Box 120, Abu Dhabi, Tel: (971-2) 5548315, Fax: (971-2) 5540461. (Sharjah) Mc Coy Middle East LLC, P.O. Box 25793, Sharjah, Tel: (971-6) 5395931, Fax: (971-6) 5395932. Burj Al Madeena, Industrial Area No.1, Opp. Pakistani Masjid, P.O. Box 37635, Sharjah. Tel: (971-6) 5337747, Fax: (971-6) 5337719. Burj Al Madeena , Industrial Area No 1, opp Pakistani Masjid P.O. Box 37635, Sharjah, Tel: (971-6) 5337747, Fax: (971-6) 5337719. (Ras Al Khaimah) Mc Coy Middle East LLC, P.O. Box 10584, Ras Al Khaimah, Tel: (971-7) 2277095, Fax: (971-7) 2277096. **UGANDA:** The Building Center (U) Ltd., 52 Station Road, Kitgum House, P.O. Box 7436, Kampala, Uganda. Tel: (256-41) 4234567/ 4259754, Fax: (256-41) 4236413. **YEMEN:** (Aden) Middle East Trad. Co. Ltd. (METCO), Mualla Dakka, Aden, Yemen. Tel: (967-2) 222670, Fax: (967-2) 222670. (Sana'a) Middle East Trad. Co. Ltd. (METCO), Hayel St., Sana'a, Yemen. Tel: (967-1) 204201, Fax: (967-1) 204204. (Taiz) Middle East Trading Co. (METCO), P.O. Box 12363, 5th Flr, Hayel Saeed Anam Bldg, Al-Mugammah St. Taiz, Yemen. Tel: (967-4) 213455, Fax: (967-4) 219869.