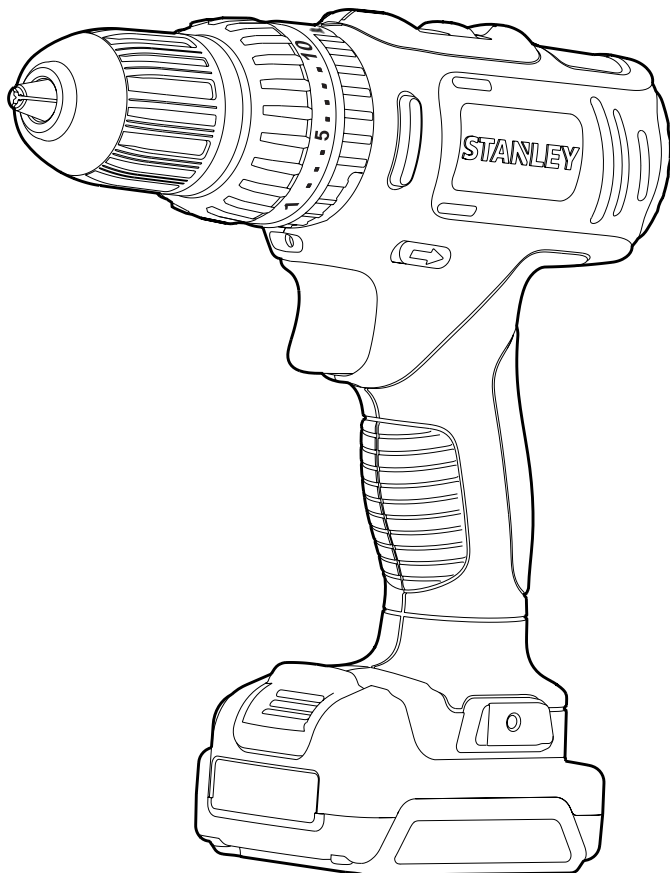
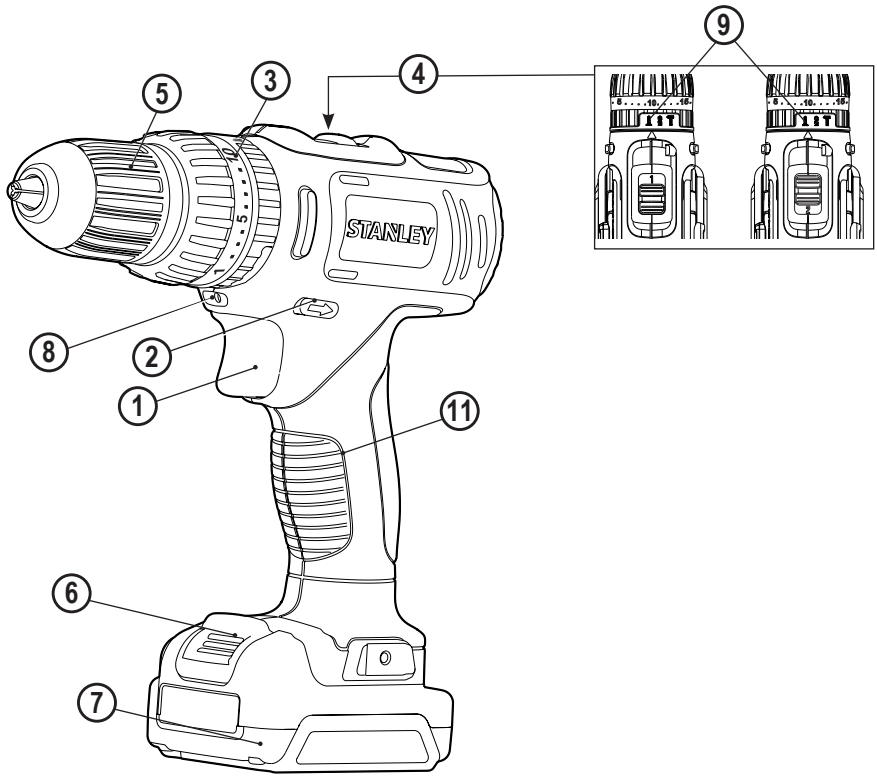


# STANLEY®

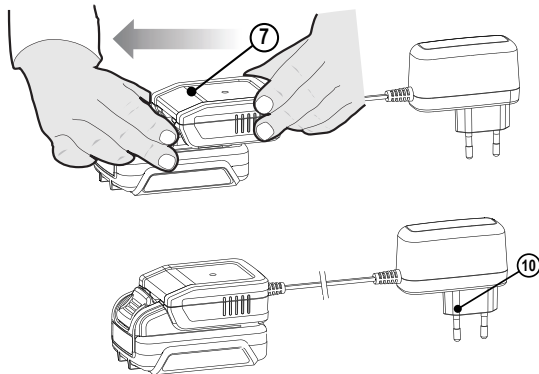


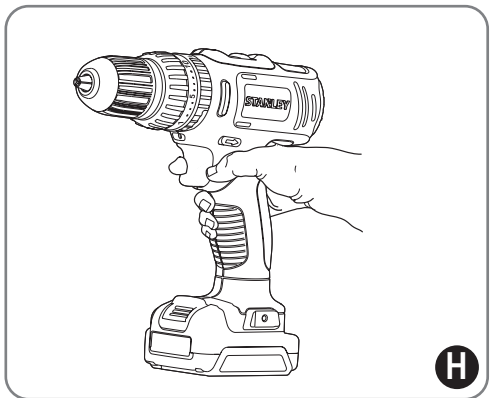
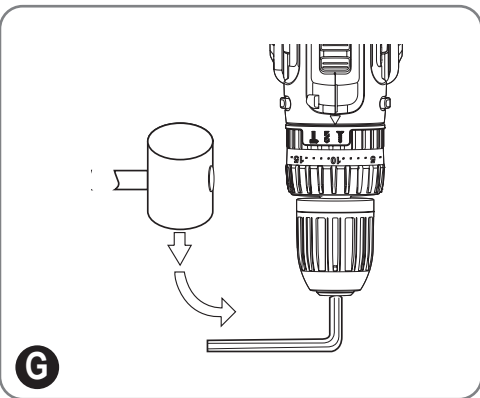
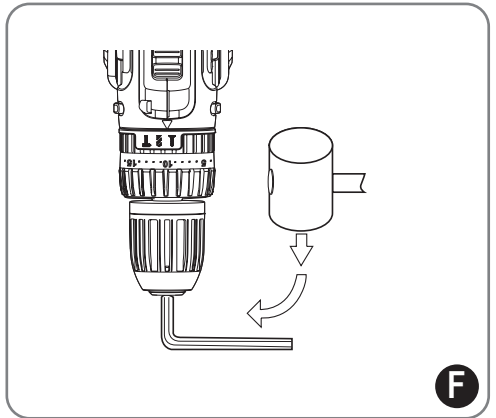
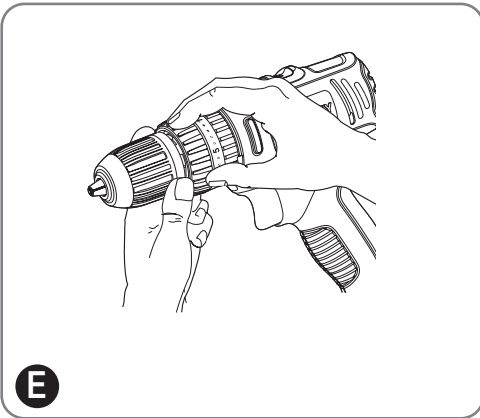
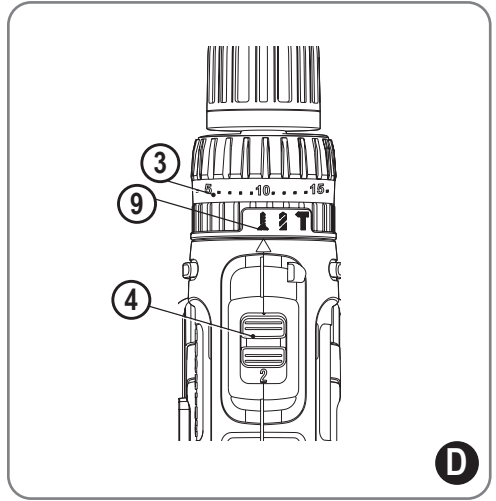
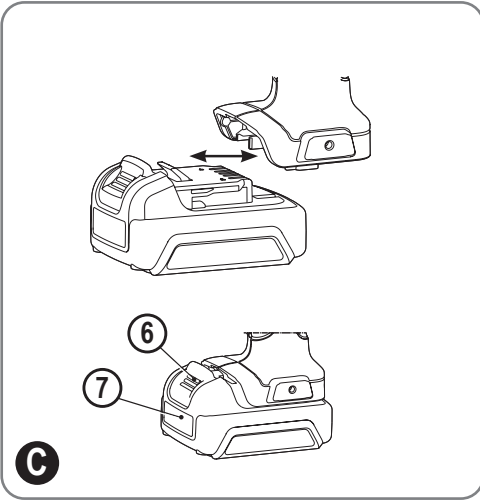
**SCH121**

English	Page	04
French	Page	13
Russian	Page	22
Ukrainian	Page	33
Turkish	Page	44
العربية	Page	61



SC122





## INTENDED USE

Your STANLEY SCH121 Li-Ion Hammer Drill has been designed for light fastening and drilling applications. This tool is intended for professional use.

## SAFETY INSTRUCTIONS

## General power tool safety warnings



**WARNING!** Read all safety warnings, instructions, illustrations and specifications provided with this power tool. Failure to follow all instructions listed below may result in electric shock, fire and/or serious injury.

## Save all warnings and instructions for future reference.

The term "power tool" in all of the warnings listed below refers to your mains operated (corded) power tool or battery operated (cordless) power tool.

## 1. Work area safety

- a. **Keep work area clean and well lit.** Cluttered or dark areas invite accidents.
- b. **Do not operate power tools in explosive atmospheres, such as in the presence of flammable liquids, gases or dust.** Power tools create sparks which may ignite the dust or fumes.
- c. **Keep children and bystanders away while operating a power tool.** Distractions can cause you to lose control.

## 2. Electrical safety

- a. **Power tool plugs must match the outlet. Never modify the plug in any way. Do not use any adapter plugs with earthed (grounded) power tools.** Unmodified plugs and matching outlets will reduce risk of electric shock.
- b. **Avoid body contact with earthed or grounded surfaces such as pipes, radiators, ranges and refrigerators.** There is an increased risk of electric shock if your body is earthed or grounded.
- c. **Do not expose power tools to rain or wet conditions.** Water entering a power tool will increase the risk of electric shock.
- d. **Do not abuse the cord. Never use the cord for carrying, pulling or unplugging the power tool. Keep cord away from heat, oil, sharp edges or moving parts.** Damaged or entangled cords increase the risk of electric shock.
- e. **When operating a power tool outdoors, use an extension cord suitable for outdoor use.** Use of a cord suitable for outdoor use reduces the risk of electric shock.
- f. **If operating a power tool in a damp location is unavoidable, use a residual current device (RCD) protected supply.** Use of an RCD reduces the risk of electric shock.

## 3. Personal safety

- a. **Stay alert, watch what you are doing and use common sense when operating a power tool. Do not use a power tool while you are tired or under the influence of drugs, alcohol or medication.** A moment of inattention while operating power tools may result in serious personal injury.
- b. **Use personal protective equipment. Always wear eye protection.** Protective equipment such as a dust mask, non-skid safety shoes, hard hat, or hearing protection used

for appropriate conditions will reduce personal injuries.

- c. **Prevent unintentional starting. Ensure the switch is in the off-position before connecting to power source and/or battery pack, picking up or carrying the tool.** Carrying power tools with your finger on the switch or energising power tools that have the switch on invites accidents.
  - d. **Remove any adjusting key or wrench before turning the power tool on.** A wrench or a key left attached to a rotating part of the power tool may result in personal injury.
  - e. **Do not overreach. Keep proper footing and balance at all times.** This enables better control of the power tool in unexpected situations.
  - f. **Dress properly. Do not wear loose clothing or jewellery. Keep your hair and clothing away from moving parts.** Loose clothes, jewellery or long hair can be caught in moving parts.
  - g. **If devices are provided for the connection of dust extraction and collection facilities, ensure these are connected and properly used.** Use of dust collection can reduce dust-related hazards.
  - h. **Do not let familiarity gained from frequent use of tools allow you to become complacent and ignore tool safety principles.** A careless action can cause severe injury within a fraction of a second.
4. Power tool use and care
- a. **Do not force the power tool. Use the correct power tool for your application.** The correct power tool will do the job better and safer at the rate for which it was designed.
  - b. **Do not use the power tool if the switch does not turn it on and off.** Any power tool that cannot be controlled with the switch is dangerous and must be repaired.
  - c. **Disconnect the plug from the power source and/or remove the battery pack, if detachable from the power tool before making any adjustments, changing accessories, or storing power tools.** Such preventive safety measures reduce the risk of starting the power tool accidentally.
  - d. **Store idle power tools out of the reach of children and do not allow persons unfamiliar with the power tool or these instructions to operate the power tool.** Power tools are dangerous in the hands of untrained users.
  - e. **Maintain power tools and accessories. Check for misalignment or binding of moving parts, breakage of parts and any other condition that may affect the power tools operation. If damaged, have the power tool repaired before use.** Many accidents are caused by poorly maintained power tools.
  - f. **Keep cutting tools sharp and clean.** Properly maintained cutting tools with sharp cutting edges are less likely to bind and are easier to control.
  - g. **Use the power tool, accessories and tool bits etc. in accordance with these instructions, taking into account the working conditions and the work to be performed.** Use of the power tool for operations different from those intended could result in a hazardous situation.
  - h. **Keep handles and grasping surfaces dry, clean and free from oil and grease.** Slippery handles and grasping surfaces do not allow for safe handling and control of the tool in unexpected situations.

**5. Battery tool use and care**

- a. **Recharge only with the charger specified by the manufacturer.** A charger that is suitable for one type of battery pack may create a risk of fire when used with another battery pack.
  - b. **Use power tools only with specifically designated battery packs.** Use of any other battery packs may create a risk of injury and fire.
  - c. **When battery pack is not in use, keep it away from other metal objects, like paper clips, coins, keys, nails, screws, or other small metal objects, that can make a connection from one terminal to another.** Shorting the battery terminals together may cause burns or a fire.
  - d. **Under abusive conditions, liquid may be ejected from the battery; avoid contact. If contact accidentally occurs, flush with water.** If liquid contacts eyes, additionally seek medical help. Liquid ejected from the battery may cause irritation or burns.
- 6. Service**
- a. **Have your power tool serviced by a qualified repair person using only identical replacement parts.** This will ensure that the safety of the power tool is maintained.
  - b. Never service damaged battery packs. Service of battery packs should only be performed by the manufacturer or authorized service providers.

**ADDITIONAL POWER TOOL SAFETY WARNINGS**

**WARNING!** Additional safety warnings for drills/screwdrivers

- **Wear ear protectors when impact drilling.** Exposure to noise can cause hearing loss.
- **Use auxiliary handles supplied with the tool.** Loss of control can cause personal injury.
- **Hold power tool by insulated gripping surfaces when performing an operation where the cutting accessory may contact hidden wiring.** Cutting accessory contacting a "live" wire may make exposed metal parts of the power tool "live" and could give the operator an electric shock.
- **Hold power tool by insulated gripping surfaces, when performing an operation where the fastener may contact hidden wiring.** Fasteners contacting a "live" wire may make exposed metal parts of the power tool "live" and could give the operator an electric shock.
- **Use clamps or another practical way to secure and support the workpiece to a stable platform.** Holding the work by hand or against your body leaves it unstable and may lead to loss of control.
- Before drilling into walls, floors or ceilings, check for the location of wiring and pipes.
- Avoid touching the tip of a drill bit just after drilling, as it may be hot.
- The intended use is described in this instruction manual. The use of any accessory or attachment or performance of any operation with this tool other than those recommended in this instruction manual may present a risk of personal injury and/or damage to property.

**SAFETY OF OTHERS**

- This tool is not intended for use by persons (including children) with reduced physical, sensory or mental capabilities, or lack of experience and knowledge, unless they have been given supervision or instruction concerning use of the tool by a person responsible for their safety.
- Children should be supervised to ensure that they do not play with the appliance.

**Residual risks**

Additional residual risks may arise when using the tool which may not be included in the enclosed safety warnings. These risks can arise from misuse, prolonged use etc.

Even with the application of the relevant safety regulations and the implementation of safety devices, certain residual risks can not be avoided. These include:

- Injuries caused by touching any rotating/moving parts.
- Injuries caused when changing any parts, blades or accessories.
- Injuries caused by prolonged use of a tool. When using any tool for prolonged periods ensure you take regular breaks.
- Impairment of hearing.
- Health hazards caused by breathing dust developed when using your tool (example:- working with wood, especially oak, beech and MDF.)

**ELECTRICAL SAFETY**

The electric motor has been designed for one voltage only. Always check that the battery pack voltage corresponds to the voltage on the rating plate. Also make sure that the voltage of your charger corresponds to that of your mains.



Your charger is double insulated; therefore no earth wire is required. Always check that the mains voltage corresponds to the voltage on the rating plate. Never attempt to replace the charger unit with a regular mains plug.

- If the supply cord is damaged, it must be replaced by the manufacturer or an authorised STANLEY Service Centre in order to avoid a hazard.

**USING AN EXTENSION CABLE**

An extension cord should not be used unless absolutely necessary. Use an approved extension cable suitable for the power input of your charger (see Technical Data). The minimum conductor size is 1 mm<sup>2</sup>; the maximum length is 30 m. When using a cable reel, always unwind the cable completely.

**IMPORTANT SAFETY INSTRUCTIONS FOR ALL BATTERY CHARGERS**

Save these instructions: This manual contains important safety and operating instructions for SC122 battery charger.

- Before using charger, read all instructions and cautionary markings on charger, battery pack, and product using battery pack.



**WARNING:** Shock hazard. Do not allow any liquid to get inside charger. Electric shock may result.



**CAUTION:** Burn hazard. To reduce the risk of injury, charge only STANLEY rechargeable batteries. Other types of batteries may burst causing personal injury and damage.



**CAUTION:** Children should be supervised to ensure that they do not play with the appliance.



**NOTICE:** Under certain conditions, with the charger plugged in to the power supply, the charger can be shorted by foreign material. Foreign materials of a

conductive nature such as, but not limited to, grinding dust, metal chips, steel wool, aluminum foil, or any buildup of metallic particles should be kept away from charger cavities. Always unplug the charger from the power supply when there is no battery pack in the cavity. Unplug charger before attempting to clean.

- DO NOT attempt to charge the battery pack with any chargers other than the ones in this manual. The charger and battery pack are specifically designed to work together.
- These chargers are not intended for any uses other than charging STANLEY rechargeable batteries. Any other uses may result in risk of fire, electric shock or electrocution.
- Do not expose charger to rain or snow.
- Pull by plug rather than cord when disconnecting charger. This will reduce risk of damage to electric plug and cord.
- Make sure that cord is located so that it will not be stepped on, tripped over, or otherwise subjected to damage or stress.
- Do not use an extension cord unless it is absolutely necessary. Use of improper extension cord could result in risk of fire, electric shock, or electrocution.
- Do not place any object on top of charger or place the charger on a soft surface that might block the ventilation slots and result in excessive internal heat. Place the charger in a position away from any heat source. The charger is ventilated through slots in the top and the bottom of the housing.
- Do not operate charger with damaged cord or plug — have them replaced immediately.
- Do not operate charger if it has received a sharp blow, been dropped, or otherwise damaged in any way. Take it to an authorised service centre.
- Do not disassemble charger; take it to an authorised service centre when service or repair is required. Incorrect reassembly may result in a risk of electric shock, electrocution or fire.
- In case of damaged power supply cord the supply cord must be replaced immediately by the manufacturer, its service agent or similar qualified person to prevent any hazard.
- Disconnect the charger from the outlet before attempting any cleaning. This will reduce the risk of electric shock. Removing the battery pack will not reduce this risk.
- NEVER attempt to connect 2 chargers together.
- The charger is designed to operate on standard household electrical power. Do not attempt to use it on any other voltage. This does not apply to the vehicular charger.

## Charger

The SC122 charger accepts 12V Max / 10.8V Li- Ion batteries. The charger require no adjustment and is designed to be as easy as possible to operate.

## LABELS ON TOOL

The following symbols are shown on the tool along with the date code:



**WARNING!** To reduce the risk of injury, the user must read the instruction manual.



Always wear safety goggles



Always wear safety hearing protection

## Position of date code

The Date Code, which also includes the year of manufacture, is printed into the housing.

Example:

2017 XX JN  
Year of manufacturing

## PACKAGE CONTENTS

The package contains:

- 1 Hammer drill
- 1 Charger
- 2 Batteries (S2) or 1 Battery (S1)
- 1 Instruction manual

NOTE: Battery packs and chargers are not included with N-models.

- Check for damage to the tool, parts or accessories which may have occurred during transport.
- Take the time to thoroughly read and understand this manual prior to operation.

## FEATURES (Fig A)

This appliance includes some or all of the following features.

1. Trigger Switch
2. Forward/Reverse Button
3. Torque Adjustment Collar
4. Gear shifter
5. Keyless Chuck
6. Battery Release Button
7. Battery pack
8. LED Work Light
9. Function collar

## ASSEMBLY



**WARNING!** Before assembly, remove the battery from the tool.

## Charging procedure (Fig. B)

- Plug the charger (10) into an appropriate outlet before inserting battery pack.

- Insert the battery pack (7) into the charger. The charging light will blink continuously indicating that the charging process has started.
- The completion of charge will be indicated by the charging light remaining ON continuously. The pack is fully charged and may be used at this time or left in the charger.

- Do not store or use the tool and battery pack in locations where the temperature may reach or exceed 40 °C (105 °F) (such as outside sheds or metal buildings in summer).

**NOTE:** To ensure maximum performance and life of Li-Ion batteries, charge the battery pack fully before first use.

**Charging Process**

Refer the tables below for the state of charge of the battery pack.

State of charge		SC122
charging	--- --	green blink
fully charged	-----	green light
hot/cold battery	-----	red blink
damaged battery	.....	red flash



**WARNING:** Never attempt to open the battery pack for any reason. If battery pack case is cracked or damaged, do not insert into charger. Do not crush, drop or damage battery pack. Do not use a battery pack or charger that has received a sharp blow, been dropped, run over or damaged in any way (i.e., pierced with a nail, hit with a hammer, stepped on). Electric shock or electrocution may result. Damaged battery packs should be returned to service centre for recycling.



**CAUTION:** When not in use, place tool on its side on a stable surface where it will not cause a tripping or falling hazard. Some tools with large battery packs will stand upright on the battery pack but may be easily knocked over.

**Hot/Cold pack delay**

The SC122 charger have a hot/cold delay feature. When the charger detects a battery that is hot, it automatically delays charging until the battery has cooled. When the charger detects a battery that is cold, it automatically delays charging until the battery has warmed. The red light will continue to blink and can't start to charging procedure. once the battery has cooled, the charger will resume the charging procedure.

**Damaged battery**

The charger can detect a weak or damaged battery. The red LED flashes in the pattern indicated on the label. If you see this damaged battery blink pattern, do not continue to charge the battery. Return it to a service center or a collection site for recycling.

**Electronic protection system**

STANLEY Li-Ion batteries are designed with an Electronic Protection System that will protect the battery against overloading, overheating or deep discharge. The tool will automatically turn off if the Electronic Protection System engages. If this occurs, place the Li-Ion battery on the charger until it is fully charged.

**Important safety instructions for all battery packs**

When ordering replacement battery packs, be sure to include catalog number and voltage.

The battery pack is not fully charged out of the carton. Before using the battery pack and charger, read the safety instructions below. Then follow charging procedures outlined.

**READ ALL INSTRUCTIONS**

- Do not charge or use battery in explosive atmospheres, such as in the presence of flammable liquids, gases or dust. Inserting or removing the battery from the charger may ignite the dust or fumes.
- Never force battery pack into charger. Do not modify battery pack in any way to fit into a non-compatible charger as battery pack may rupture causing serious personal injury.
- Charge the battery packs only in STANLEY chargers.
- DO NOT splash or immerse in water or other liquids.

**Specific safety instructions for lithium ion (Li-Ion)**

- Do not incinerate the battery pack even if it is severely damaged or is completely worn out. The battery pack can explode in a fire. Toxic fumes and materials are created when lithium ion battery packs are burned.
- If battery contents come into contact with the skin, immediately wash area with mild soap and water. If battery liquid gets into the eye, rinse water over the open eye for 15 minutes or until irritation ceases. If medical attention is needed, the battery electrolyte is composed of a mixture of liquid organic carbonates and lithium salts.
- Contents of opened battery cells may cause respiratory irritation. Provide fresh air. If symptoms persists, seek medical attention.



**WARNING:** Burn hazard. Battery liquid may be flammable if exposed to spark or flame.

**Transportation**

STANLEY batteries comply with all applicable shipping regulations as prescribed by industry and legal standards which include UN Recommendations on the Transport of Dangerous Goods; International Air Transport Association (IATA) Dangerous Goods Regulations, International Maritime Dangerous Goods (IMDG) Regulations, and the European Agreement Concerning The International Carriage of Dangerous Goods by Road (ADR). Lithium-ion cells and batteries have been tested to section 38.3 of the UN Recommendations on the Transport of Dangerous Goods Manual of Tests and Criteria. In most instances, shipping a STANLEY battery pack will be excepted from being classified as a fully regulated Class 9 Hazardous material. In general, the two instances that require shipping Class 9 are:

1. Air shipping more than two STANLEY lithium-ion battery packs when the package contains only battery packs (no tools), and
2. Any shipment containing a lithium-ion battery with an energy rating greater than 100 watt hours (Wh). All lithiumion batteries have the watt hour rating marked on the pack.

Regardless of whether a shipment is considered excepted or fully regulated, it is the shipper's responsibility to consult the latest regulations for packaging, labeling/markings and documentation requirements.

Transporting batteries can possibly cause fire if the battery terminals inadvertently come in contact with conductive materials. When transporting batteries, make sure that the battery terminals are protected and well insulated from materials that could contact them and cause a short circuit.

The information provided in this section of the manual is provided in good faith and believed to be accurate at the time the document was created. However, no warranty, expressed or implied, is given. It is the buyer's responsibility to ensure that its activities comply with the applicable regulations.

## Battery pack

### Battery type

The SCH121 operates on a 12V battery pack

### Storage recommendations

1. The best storage place is one that is cool and dry away from direct sunlight and excess heat or cold. For optimum battery performance and life, store battery packs at room temperature when not in use.
2. For long storage, it is recommended to store a fully charged battery pack in a cool, dry place out of the charger for optimal results.

**NOTE:** Battery packs should not be stored completely depleted of charge. The battery pack will need to be recharged before use.

### Labels on charger and battery pack

In addition to the pictographs used in this manual, the labels on the charger and the battery pack may show the following pictographs:



Read instruction manual before use.



See Technical Data for charging time.



Battery charging.



Battery charged.



Battery defective.



Hot/cold pack delay.



Do not probe with conductive objects.



Do not charge damaged battery packs.



Do not expose to water.



Have defective cords replaced immediately



Charge only between 4 °C and 40 °C.



Only for indoor use



Discard the battery pack with due care for the environment.



Charge STANLEY battery packs only with designated STANLEY chargers. Charging battery packs other than the designated STANLEY batteries with a STANLEY charger may make them burst or lead to other dangerous situations.



Do not incinerate the battery pack.

## ASSEMBLY

**WARNING:** Prior to assembly and adjustment, always remove the battery pack. Always switch off the tool before inserting or removing the battery pack.

**WARNING:** Use only STANLEY battery packs and chargers.

### Inserting and removing the battery pack from the tool (Fig C)



**WARNING:** To reduce the risk of serious personal injury, place the forward/reverse button in the lock-off position or turn tool off and disconnect battery pack before making any adjustments or removing/installing attachments or accessories. An accidental start-up can cause injury.

**NOTE:** Make sure your battery pack (7) is fully charged.

#### To install the battery pack into the tool handle

1. Align the battery pack with the rails inside the handle.
2. Slide it firmly into place until you hear the lock snap into place.

#### To remove the battery pack from the tool

1. Press the release button (6) and firmly pull the battery pack out of the tool handle.
2. Insert battery pack into the charger as described in the charger section of this manual.

## USE

### Proper hand position (Fig A, H)



**WARNING:** To reduce the risk of serious personal injury, ALWAYS use proper hand position as shown.



**WARNING:** To reduce the risk of serious personal injury, ALWAYS hold securely in anticipation of a sudden reaction. Proper hand position requires one hand on the main handle (9).



### Selecting the direction of rotation (Fig D)

For tightening, use forward (clockwise) rotation. For loosening, use reverse (counterclockwise) rotation.

- To select forward rotation, push the forward/reverse slider (2) to the left.
- To select reverse rotation, push the forward/reverse slider to the right.
- To lock the tool, set the forward/reverse slider into the centre position.
- When changing the position of the control button, be sure the trigger is released.

### Trigger switch (Fig A)

To turn the tool on, squeeze the trigger switch (1). To turn the tool off, release the trigger switch. Your tool is equipped with a brake. The chuck will stop when the trigger switch is fully released.

The variable speed switch enables you to select the best speed for a particular application. The further you squeeze the trigger, the faster the tool will operate. For maximum tool life, use variable speed only for starting holes or fasteners

**NOTE:** Continuous use in variable speed range is not recommended. It may damage the switch and should be avoided.

### Torque adjustment collar (Fig. A,D)

The torque adjustment collar (3) is clearly marked with numbers and a drill bit symbol. The collar should be rotated until the desired setting is located at the top of the tool. Locators are provided in the collar to eliminate the guess work when selecting fastening torque.

The higher the number on the collar, the higher the torque and the larger the fastener which can be driven. To lock the clutch for drilling operations, move to the drill bit position.

**NOTE:** When using the drill/driver for drilling holes, be sure that the torque adjusting collar is set so the figure of the drill is aligned with the center line on the top of the tool. Failure to do this will allow the clutch to slip while attempting to drill.

### Gear shifter (Fig A, D)

The dual range feature of your driver/drill allows you to shift gears for greater versatility.

To select the low speed, high torque setting, turn the tool off and permit to stop. Slide the gear shifter (4) forward (towards the chuck). To select the high speed, low torque setting, turn the tool off and permit to stop. Slide the gear shifter back (away from chuck).

**NOTE:** Do not change gears when the tool is running. If you are having trouble changing gears, make sure that the dual range gear shifter is either completely pushed forward or completely pushed back.

### LED work light

The LED work light (8) is located under the the torque adjustment collar (3) and is activated automatically when the trigger is depressed. The LED work light will illuminate when the trigger is partially depressed, before the unit begins running.

**NOTE:** The LED worklight is for lighting the immediate work surface and is not intended to be used as a flashlight.

### Keyless chuck (Fig E)

Your tool features a keyless chuck with one rotating sleeve for one-handed operation of the chuck. To insert a drill bit or other accessory, follow these steps.

1. Lock the trigger in the OFF position as previously described.
2. Grasp the black sleeve of the chuck with one hand and use the other hand to secure the tool. Rotate the sleeve counterclockwise far enough to accept the desired accessory.
3. Insert the accessory about 19 mm (3/4") into the chuck and tighten securely by rotating the chuck sleeve clockwise with one hand while holding the tool with the other. Your tool is equipped with an automatic spindle lock mechanism. This allows you to open and close the chuck with one hand. To release the accessory, repeat step 2 above.



**WARNING:** Do not attempt to tighten drill bits (or any other accessory) by gripping the front part of the chuck and turning the tool on. Damage to the chuck and personal injury may result. Always lock off trigger switch when changing accessories.

Be sure to tighten chuck with one hand on the chuck sleeve and one hand holding the tool for maximum tightness.

### Chuck removal (Fig F)

Turn the adjustment collar to the "drill" position and gear shifter to position 1 (low speed). Tighten the chuck around the shorter end of a hex key (not supplied) of 6.35 mm (1/4") or greater size. Using a wooden mallet or similar object, strike the longer end in the clockwise direction, as shown. This will loosen the screw inside the chuck.

Open chuck jaws fully, insert screwdriver (or Torx tool if required) into front of chuck between jaws to engage screw head. Remove screw by turning clockwise (left-hand-thread). Place hex key in chuck and tighten, as shown in Figure F. Using a wooden mallet or similar object, strike key sharply in the counterclockwise direction. This will loosen the chuck so that it can be unscrewed by hand.

### Chuck installation (Fig G)

Screw the chuck on by hand as far as it will go and insert screw (left-hand thread). Tighten screw securely. Tighten the chuck around the shorter end of a 6.35 mm (1/4") or larger hex key (not supplied) strike the longer end in the clockwise direction with a wooden mallet, as shown. Tighten the screw once again by turning in a counterclockwise direction.

## DRILL OPERATION



**WARNING:** To reduce the risk of serious personal injury, turn tool off and disconnect tool from power source before making any adjustments or removing/installing attachments or accessories.



**WARNING:** To reduce the risk of personal injury, ALWAYS ensure workpiece is anchored or clamped firmly. If drilling thin material, use a wood "back-up" block to prevent damage to the material.

Turn the collar to the drill bit symbol for drilling. Select the desired speed/torque range using the gear shifter to match the speed and torque to the planned operation.

- Use sharp drill bits only. For WOOD, use twist drill bits, spade bits, or hole saws. For METAL, use high-speed steel (HSS) twist drill bits or hole saws.
- Always apply pressure in a straight line with the bit. Use enough pressure to keep drill biting, but do not push hard enough to stall the motor or deflect the bit.
- Hold tool firmly with both hands to control the twisting action of the drill.



**WARNING:** The drill may stall if overloaded causing a sudden twist. Always expect the stall. Grip the drill firmly with both hands to control the twisting action and avoid injury.

- IF DRILL STALLS, it is usually because it is being overloaded or improperly used. RELEASE TRIGGER IMMEDIATELY, remove drill bit from work, and determine cause of stalling. DO NOT CLICK TRIGGER ON AND OFF IN AN ATTEMPT TO START A STALLED DRILL — THIS CAN DAMAGE THE DRILL.
- To minimize stalling or breaking through the material, reduce pressure on drill and ease the bit through the last fractional part of the hole.
- Keep the motor running when pulling the bit back out of a drilled hole. This will help prevent jamming.
- With variable speed drills there is no need to center punch the point to be drilled. Use a slow speed to start the hole and accelerate by squeezing the trigger harder when the hole is deep enough to drill without the bit skipping out.

### Hammer drill operation (Fig. D)

1. Turn the collar (9) to the hammer drill symbol.
2. Select the high speed setting by sliding the selector forward (towards the chuck). Important: Use carbide tipped or masonry bits only.
3. Drill with just enough force Aon the hammer to keep it from bouncing excessively or “rising” off the bit. Too much force will cause slower drilling speeds, overheating and lower drilling rate.
4. Drill straight, keeping the bit at a right angle to the work. Do not exert side pressure on the bit when drilling as this will cause clogging of the bit flutes and a slower drilling speed.
5. When drilling deep holes, if the hammer speed starts to drop off, pull the bit partially out of the hole with tool still running to help clear debris from the hole.

**NOTE:** A smooth, even flow of dust from the hole indicates proper drilling rate.

### Operation as a screwdriver

Select the desired speed/torque range using the dual range gear shifter on the top of tool to match the speed and torque to the planned operation. Insert the desired fastener accessory into the chuck as you would any drill bit. Make a few practice runs in scrap or unseen areas to determine the proper position of the clutch collar.

### Maximum recommended capacities

	Low Range-1	High Range-2
Bits, Metal Drilling	6.00 mm	3.00 mm
Wood, Flat Boring	19.00 mm	12.00 mm
Hole Saws	19.00 mm	16.00 mm
Brickwork		8.00 mm

## MAINTENANCE

Your STANLEY power tool has been designed to operate over a long period of time with a minimum of maintenance. Continuous satisfactory operation depends upon proper tool care and regular cleaning.



**WARNING:** To reduce the risk of serious personal injury, place the forward/reverse button in the lock-off position or turn tool off and disconnect battery pack before making any adjustments or removing/installing attachments or accessories. An accidental start-up can cause injury.

The charger and battery pack are not serviceable. There are no serviceable parts inside.

### Lubrication



Your power tool requires no additional lubrication.



### Cleaning



**WARNING:** Blow dirt and dust out of the main housing with dry air as often as dirt is seen collecting in and around the air vents. Wear approved eye protection and approved dust mask when performing this procedure.



**WARNING:** Never use solvents or other harsh chemicals for cleaning the non-metallic parts of the tool. These chemicals may weaken the materials used in these parts. Use a cloth dampened only with water and mild soap. Never let any liquid get inside the tool; never immerse any part of the tool into a liquid.

### Charger cleaning instructions



**WARNING:** Shock hazard. Disconnect the charger from the AC outlet before cleaning. Dirt and grease may be removed from the exterior of the charger using a cloth or soft non-metallic brush. Do not use water or any cleaning solutions.

### Optional accessories



**WARNING:** Since accessories, other than those offered by STANLEY, have not been tested with this product, use of such accessories with this tool could be hazardous. To reduce the risk of injury, only STANLEY, recommended accessories should be used with this product. Consult your dealer for further information on the appropriate accessories.

## PROTECTING THE ENVIRONMENT

Separate collection. This product must not be disposed of with normal household waste.

Should you find one day that your STANLEY product needs replacement, or if it is of no further use to you, do not dispose of it with household waste. Make this product available for separate collection.



STANLEY provides a facility for the collection and recycling of STANLEY products once they have reached the end of their working life. To take advantage of this service please return your product to any authorised repair agent who will collect them on our behalf. You can check the location of your nearest authorised repair agent by contacting your local STANLEY office at the address indicated in this manual. Alternatively, a list of authorised STANLEY repair agents and full details of our after-sales service and contacts are available on the Internet at: [www.2helpU.com](http://www.2helpU.com).

### Batteries

STANLEY batteries can be recharged many times. At the end of their useful life, discard batteries with due care for our environment:

- Run the battery down completely, then remove it from the tool.
- NiCd, NiMH and Li-Ion batteries are recyclable. Take them to any authorized repair agent or a local recycling station.

### NOTES

STANLEY's policy is one of continuous improvement to our products and as such, we reserve the right to change product specifications without prior notice. Standard equipment and accessories may vary by country. Product specifications may differ by country.

Complete product range may not be available in all countries. Contact your local STANLEY dealers for range availability

### SERVICE INFORMATION

STANLEY offers a full network of company-owned and authorized service locations. All STANLEY Service Centers are staffed with trained personnel to provide customers with efficient and reliable power tool service. For more information about our authorized service centers and if you need technical advice, repair, or genuine factory replacement parts, contact the STANLEY location nearest you.

### TECHNICAL DATA

SCH121		
Technical data Voltage	$V_{DC}$	12V Max
No-load speed:	$\text{min}^{-1}$	0-400/0-1500
Impact rate	$\text{min}^{-1}$	0-6000/0-22500
Max torque	Nm	26
Chuck capacity	mm	10
<b>Maximum drilling capacity:</b>		
Wood	mm	20
Metal	mm	10
Concrete	mm	8

CHARGER		SC122
Input Voltage	$V_{AC}$	220-240
Output Voltage	$V_{DC}$	22
Output Current(DC)	A	1.25
Approx. charge time	min	70(1.5Ah)

BATTERY		SB12
Voltage	$V_{DC}$	12V
Capacity	Ah	1.5
Type		Li-Ion

### Level of sound pressure according to EN 60745:

Sound pressure ( $L_{pA}$ )	dB(A)	82
Sound pressure uncertainty ( $K_{pA}$ )	dB(A)	3
Sound power ( $L_{WA}$ )	dB(A)	93
Sound power uncertainty ( $K_{WA}$ )	dB(A)	3

### Vibration Total Values $a_n$ (Triax Vector Sum)

$(a_v)S =$	$\text{m/s}^2$	0.5
Uncertainty (K) =	$\text{m/s}^2$	1.5
$(a_h)D =$	$\text{m/s}^2$	1.0
Uncertainty (K) =	$\text{m/s}^2$	1.5
$(a_v)ID =$	$\text{m/s}^2$	11.7
Uncertainty (K) =	$\text{m/s}^2$	1.5

### VIBRATION

The declared vibration emission values stated in the technical data and the declaration of conformity have been measured in accordance with a standard test method provided by EN 60745 and may be used for comparing one tool with another. The declared vibration emission value may also be used in a preliminary assessment of exposure.



**WARNING!** The vibration emission value during actual use of the power tool can differ from the declared value depending on the ways in which the tool is used. The vibration level may increase above the level stated.

When assessing vibration exposure to determine safety measures required by 2002/44/EC to protect persons regularly using power tools in employment, an estimation of vibration exposure should consider, the actual conditions of use and the way the tool is used, including taking account of all parts of the operating cycle such as the times when the tool is switched off and when it is running idle in addition to the trigger time.

**EC declaration of conformity**  
MACHINERY DIRECTIVE



**SCH121 - Hammer Drill**

STANLEY declares that these products described under "technical data" are in compliance with;2006/42/EC, EN 60745-1:2009 + A11:2010, EN 60745-2-1:2010 EN 60745-2-2:2010

These products also comply with Directive 2014/30/EU and 2011/65/EU. For more information, please contact STANLEY at the following address or refer to the back of the manual.

The undersigned is responsible for compilation of the technical file and makes this declaration on behalf of STANLEY.

A handwritten signature in black ink, appearing to read 'R. Laverick', written in a cursive style.

**R.Laverick**  
Engineering Manager  
STANLEY , Europe, Egide Walschaertsstraat14-18,  
2800 Mechelen, Belgium  
01.2016

**TWO YEAR WARRANTY**

If your STANLEY product becomes defective due to faulty materials or workmanship within 24 months from the date of purchase, STANLEY guarantees to replace all defective parts free of charge or – at our discretion – replace the unit free of charge provided that:

- The product has not been misused and has been used in accordance with the instruction manual;
- The product has been subject to fair wear and tear;
- Repairs have not been attempted by unauthorized persons;
- Proof of purchase is produced;
- The STANLEY product is returned complete with all original components;
- The product hasn't been used for hire purposes.

If you wish to make a claim, contact your seller or check the location of your nearest authorised STANLEY repair agent in the STANLEY catalogue or contact your local STANLEY office at the address indicated in this manual. A list of authorised STANLEY repair agents and full details of our after sales service is available on the internet at: [www.2helpU.com](http://www.2helpU.com)

## USAGE PRÉVU

Votre perceuse à percussion STANLEY SCH121 Li-Ion est conçue pour les applications légères de fixation et de perçage. Cet outil est destiné à une utilisation professionnelle.

## CONSIGNES DE SÉCURITÉ

### Avertissements de sécurité générale concernant l'outil électrique

Les définitions ci-dessous définissent le niveau de gravité de chaque mention d'avertissement. Veuillez lire le manuel et prêter attention à ces symboles.



**AVERTISSEMENT !** Lisez tous les avertissements de sécurité, les instructions, les illustrations et les spécifications fournies avec cet outil électrique. Le non-respect de ces avertissements et de ces instructions peut provoquer un incendie, une électrocution et/ou de graves blessures.

Conservez ces avertissements et ces instructions à titre de référence ultérieure. Le terme « outil électrique » dans les avertissements fait référence à votre outil électrique alimenté par le courant (avec cordon d'alimentation) ou fonctionnant sur batterie (sans cordon).

#### 1. Sécurité de l'aire de travail

- Travaillez dans un endroit propre et bien éclairé. Les zones encombrées et sombres peuvent entraîner des accidents.
- Ne mettez pas en marche votre outil électrique dans un environnement explosif, ou en présence de liquides inflammables, de gaz, ou de poussières. La mise en marche de l'outil crée des étincelles qui peuvent enflammer les poussières ou vapeurs.
- Éloignez les enfants et les personnes présentes de la zone lorsque l'outil est en fonctionnement. Toute distraction peut vous faire perdre le contrôle de l'outil.

#### 2. Sécurité électrique

- Les fiches de l'outil électrique doivent correspondre à la prise secteur. Ne modifiez jamais la fiche, de quelque manière que ce soit. N'utilisez pas d'adaptateurs avec des outils ayant une prise de terre (mis à la terre). Des fiches non modifiées et raccordées aux prises murales correspondantes réduiront les risques de choc électrique.
- Évitez le contact direct avec les surfaces mises à la terre ou mises à la masse comme les canalisations, les radiateurs, les cuisinières et les réfrigérateurs. Le risque de choc électrique augmente si votre corps est mis à la terre ou à la masse.
- N'utilisez pas d'outils électriques dans des environnements pluvieux ou humides. Si de l'eau s'introduit dans un outil électrique, le risque de choc électrique augmentera.
- Ne malmenez pas le cordon d'alimentation. N'utilisez jamais le cordon pour transporter, tirer ou débrancher l'outil électrique. Veuillez à garder le cordon éloigné des sources de chaleur, des huiles, des rebords coupants ou des pièces mobiles. Les câbles endommagés ou entremêlés augmentent le risque de choc électrique.

- Lorsqu'un outil électrique est utilisé à l'extérieur, utilisez uniquement une rallonge spécialement prévue à cet effet. L'usage d'une rallonge adaptée à l'utilisation en extérieur réduit le risque de choc électrique.
  - Habilitez-vous correctement. Ne portez pas de vêtements amples ou de bijoux. Gardez vos cheveux, vos vêtements et vos gants éloignés des pièces mobiles. Tenez vos cheveux, vêtements et gants éloignés des pièces mobiles. Les vêtements amples, les bijoux ou les cheveux longs peuvent être happés par les pièces mobiles.
- #### 3. Sécurité personnelle
- Soyez vigilant, regardez bien ce que vous faites et faites preuve de bon sens lorsque vous utilisez l'outil électrique. N'utilisez pas d'outil électrique si vous êtes sous l'influence de drogues, d'alcool ou de médicaments. Un instant d'inattention pendant l'utilisation d'outils électriques peut entraîner des blessures graves.
  - Utilisez un équipement de protection individuel. Utilisez toujours une protection oculaire. L'utilisation d'équipements de protection tels que les masques anti-poussière, les chaussures de sécurité antidérapantes, les casques de sécurité ou les protections auditives dans des conditions appropriées réduiront les risques de blessures corporelles.
  - Évitez les démarrages intempestifs. Veillez à ce que l'interrupteur soit en position d'arrêt avant de brancher l'outil à une source d'alimentation et/ou une batterie, de ramasser l'outil ou de le transporter. Transporter les outils électriques avec le doigt sur l'interrupteur ou brancher les outils électriques avec l'interrupteur en position de marche peut entraîner des accidents.
  - Retirez toute clé à molette ou autre clé de réglage avant de mettre l'outil électrique en marche. Laissez une clé à molette ou une clé sur une partie rotative de l'outil électrique peut engendrer des blessures corporelles.
  - Ne vous penchez pas trop. Gardez en permanence une position stable et un bon équilibre. Cela permet un meilleur contrôle de l'outil électrique dans des situations imprévues.
  - Portez des vêtements appropriés. Ne portez pas de vêtements amples ou de bijoux. Tenez vos cheveux, vêtements et gants éloignés des pièces mobiles. Les vêtements amples, les bijoux ou les cheveux longs peuvent être happés par les pièces mobiles.
  - Si des dispositifs destinés au raccordement d'installations d'extraction et de recueil de la poussière sont fournis, assurez-vous qu'ils sont correctement raccordés et utilisés. L'utilisation de cet outil peut réduire les dangers associés à la présence de poussières.
  - Ne pensez pas que la familiarité que vous avez acquise en utilisant fréquemment des outils vous permet d'être complaisant et d'ignorer les principes de sécurité concernant l'utilisation des outils. Une action imprudente peut causer de graves blessures en une fraction de seconde.
- #### 4. Utilisation et entretien de l'outil électrique
- Ne forcez pas l'outil électrique. Utilisez l'outil électrique adapté à votre travail. L'outil adapté est plus efficace et moins dangereux s'il est utilisé à la vitesse pour laquelle il a été conçu.

- b. **N'utilisez pas l'outil si l'interrupteur ne le met pas en position de marche et d'arrêt.** Tout outil qui ne peut être contrôlé par l'interrupteur est dangereux et doit être réparé.
  - c. **Débrancher la fiche de l'alimentation source et / ou la batterie de l'outil électrique avant de faire ajustements, changement d'accessoires, ou stockage d'outils électriques.** Ces mesures de sécurité préventives réduisent le risque de démarrage accidentel de l'outil électrique.
  - d. **Conservez les outils électriques inutilisés hors de la portée des enfants et ne laissez pas de personnes non familiarisées avec l'outil ou ces instructions utiliser l'outil électrique.** Les outils électriques sont dangereux pour les utilisateurs inexpérimentés.
  - e. **Maintenir les outils électriques. Vérifiez la dérive d'alignement ou l'attache des pièces mobiles, toute possibilité de rupture de pièces et tout état pouvant affecter l'outil lors de son utilisation.** Si l'outil est endommagé, faites-le réparer avant de l'utiliser. De nombreux accidents sont dus à des outils électriques mal entretenus.
  - f. **Maintenez les outils de coupe aiguisés et propres.** Les outils de coupe bien entretenus aux bords aiguisés sont moins susceptibles de se coincer et plus faciles à contrôler.
  - g. **Utilisez l'outil électrique, les accessoires et les mèches de l'outil etc., conformément à ces instructions en prenant en compte les conditions de travail et la tâche à réaliser.** L'utilisation de l'outil électrique pour des opérations différentes de celles pour lesquelles il a été conçu peut entraîner une situation dangereuse.
  - h. **Maintenez les poignées et les surfaces de préhension sèches, propres et exemptes d'huile et de graisse.** Des poignées et des surfaces de préhension glissantes ne permettent pas de manipuler l'outil en toute sécurité et de le contrôler dans des situations inattendues.
5. **Utilisation et entretien d'un outil alimenté par batterie**
    - a. **Rechargez l'outil uniquement avec le chargeur spécifié par le fabricant.** Un chargeur approprié pour un type de batterie peut créer un risque d'incendie lorsqu'il est utilisé avec une autre batterie.
    - b. **Utilisez les outils électriques uniquement avec les batteries spécialement adaptées.** L'utilisation d'autres batteries présente un risque de blessure et d'incendie.
    - c. **Lorsque vous ne vous servez pas de la batterie, rangez-la loin des autres objets métalliques, comme des trombones, pièces de monnaie, clés, clous, vis ou autres petits objets métalliques, susceptibles d'établir une connexion entre les bornes.** Tout court-circuit entre les bornes de la batterie peut provoquer des brûlures ou un incendie.
    - d. **Dans des conditions d'utilisation excessive, du liquide peut s'écouler de la batterie ; dans ce cas, veuillez éviter tout contact.** En cas de contact accidentel, rincez la partie touchée avec de l'eau. Si le liquide pénètre dans vos yeux, consultez immédiatement un médecin. Le liquide éjecté de la batterie peut causer des irritations ou des brûlures.
  6. **Réparation**

- a. **Faites réparer votre outil électrique par un réparateur agréé utilisant uniquement les pièces de rechange identiques.** Cela permettra de garantir la sécurité de l'outil électrique.
- b. **N'essayez jamais de réparer des batteries endommagées.** Les batteries doivent être réparées uniquement par le fabricant ou des fournisseurs de services autorisés.

## AVERTISSEMENTS DE SÉCURITÉ GÉNÉRALE CONCERNANT L'OUTIL



**AVERTISSEMENT !** Avertissements de sécurité supplémentaires pour les perceuses visseuses.

- **Portez une protection auditive lorsque vous utilisez des perceuses à percussion.** Une exposition au bruit peut provoquer la perte de l'audition.
- **Utilisez les poignées auxiliaires fournies avec l'outil.** Toute perte de contrôle peut causer des dommages corporels.
- **Tenez l'outil électrique uniquement par les surfaces isolées lorsque vous effectuez une opération au cours de laquelle l'accessoire coupant peut être en contact avec des câbles cachés.** Si un accessoire de coupe entre en contact avec un câble « sous tension », les pièces métalliques de l'outil électrique risquent de transmettre le courant et d'infliger un choc électrique à l'opérateur.
- **Tenez l'outil électrique uniquement par les surfaces isolées lorsque vous effectuez une opération au cours de laquelle une vis peut toucher des câbles cachés.** Si des vis touchent un câble « sous tension », les pièces métalliques de l'outil électrique risquent de transmettre le courant et d'infliger un choc électrique à l'opérateur.
- **Utilisez des serre-joints, un étai de serrage ou toute autre méthode pratique pour sécuriser et maintenir la pièce à traiter sur une plate-forme stable.** Le fait de tenir la pièce à traiter avec votre main ou l'appuyer contre votre corps la rend instable et peut provoquer une perte de contrôle.
- Avant de percer les murs, les sols ou les plafonds, vérifiez la position des câbles et tuyaux.
- Évitez de toucher la pointe d'un foret immédiatement après utilisation, car vous pourriez vous brûler.
- L'utilisation prévue est décrite dans le présent manuel. L'utilisation d'accessoires, de pièces rajoutées et de l'appareil en lui-même autre que celle définie dans le présent manuel d'instructions présente un risque de blessure et de dommages matériels.

## SÉCURITÉ D'AUTRUI

- Cet outil n'est pas destiné à être utilisé par des personnes (y compris les enfants) présentant des capacités physiques, sensorielles ou mentales réduites, ou sans expérience, ni connaissances, à moins qu'elles ne soient surveillées ou qu'elles n'aient été instruites à l'utilisation de l'appareil par une personne responsable de leur sécurité.
- Les enfants doivent être surveillés pour s'assurer qu'ils ne jouent pas avec l'appareil.

## Risques résiduels

Il se peut que des risques résiduels additionnels non inclus dans les avertissements de sécurité du présent manuel surviennent lors de l'utilisation de l'outil. Ces risques peuvent provenir d'une utilisation inappropriée ou prolongée, etc.

Malgré l'application des instructions de sécurité en vigueur et la mise en œuvre des dispositifs de sécurité, certains risques résiduels ne peuvent être évités. Ces risques comprennent:

- **Des blessures provoquées par le contact avec des pièces mobiles / rotatives.**
- **Des blessures provoquées lors du changement des pièces, lames ou accessoires.**
- **Des blessures provoquées par un usage prolongé de l'appareil. Assurez-vous prendre régulièrement des pauses lors d'un usage prolongé d'un appareil.**
- **Troubles de l'audition**
- **Il existe des risques pour la santé causés par l'inhalation de poussière qui se développent lors de l'utilisation de votre outil (exemple : travailler du bois, en particulier le chêne, le hêtre ou le MDF)**

## SÉCURITÉ ÉLECTRIQUE

Le moteur électrique a été conçu pour une tension uniquement. Vérifiez toujours que la tension de la batterie correspond à celle de la plaque signalétique. Vérifiez également que la tension de votre chargeur correspond à celle de votre secteur.



Votre chargeur dispose d'une double isolation ; par conséquent, aucun fil de terre n'est nécessaire. Vérifiez toujours que la tension secteur correspond à celle de la plaque signalétique. N'essayez jamais de remplacer le chargeur par une fiche secteur principale.

- Si le cordon d'alimentation est abîmé, il doit être remplacé par le fabricant ou un centre de services agréé STANLEY afin d'éviter tout danger.

## UTILISATION D'UNE RALLONGE

Une rallonge électrique ne doit pas être utilisée à moins que ce ne soit absolument nécessaire. Utilisez une rallonge agréée, adaptée à la puissance absorbée de votre chargeur (voir les Caractéristiques techniques). La section minimale des conducteurs est de 1 mm<sup>2</sup> ; la longueur maximale est de 30 m.

Lorsque vous utilisez un rouleau à câble, déroulez-le toujours complètement.

## CONSIGNES DE SÉCURITÉS IMPORTANTES POUR TOUS LES CHARGEURS DE BATTERIE

**Conservez ces consignes :** Ce manuel contient d'importantes consignes de sécurité et d'utilisation relatives aux chargeurs de batterie du SC122.

- Avant d'utiliser le chargeur, veuillez lire toutes les consignes et mises en garde se trouvant sur le chargeur, le bloc-batterie et le produit utilisant le blocbatterie.



**AVERTISSEMENT :** Risque de choc électrique. Ne laissez pas pénétrer de liquide dans le chargeur. Il existe un risque de choc électrique..



**ATTENTION :** Risque de brûlure. Pour réduire le risque de blessure, chargez uniquement des batteries STANLEY rechargeables. Les autres types de batteries risquent d'exploser et d'entraîner des blessures physiques et des dégâts.



**ATTENTION :** Les enfants doivent être surveillés pour s'assurer qu'ils ne jouent pas avec l'appareil.



**REMARQUE :** Dans certaines conditions, lorsque le chargeur est branché sur le secteur, il peut être court-circuité par des matériaux étrangers.

Les matériaux étrangers conducteurs comprenant, mais sans s'y limiter, la poussière de ponçage, les copeaux métalliques, la laine d'acier, les feuilles d'aluminium ou toutes sortes d'amas de particules métalliques doivent être tenus à l'écart des cavités du chargeur. Débranchez toujours le chargeur lorsque la cavité ne contient pas de batterie. Débranchez le chargeur avant de le nettoyer.

- N'essayez PAS de charger le bloc-batterie avec des chargeurs différents de ceux indiqués dans ce manuel. Le chargeur et le bloc-batterie sont conçus spécialement pour fonctionner orphan.
- Ces chargeurs sont destinés exclusivement au chargement des batteries STANLEY rechargeables. Toute autre utilisation entraînerait un risque d'incendie, de choc électrique ou d'électrocution.
- N'exposez pas le chargeur à la pluie ou à la neige.
- Pour débrancher le chargeur, tirez au niveau de la prise plutôt que sur le cordon. Cela permet de réduire le risque d'endommager la prise électrique et le cordon.
- Veillez à ce que le cordon soit positionné de sorte à éviter de marcher dessus, de trébucher, de l'endommager ou de trop le tendre.
- N'utilisez pas de rallonge sauf en cas d'absolue nécessité. L'utilisation d'une rallonge inappropriée pourrait entraîner un risque d'incendie, de choc électrique ou d'électrocution.
- Ne posez rien sur le chargeur et ne placez pas ce dernier sur une surface molle pouvant obstruer les fentes de ventilation et engendrer une chaleur excessive à l'intérieur. Placez le chargeur à un endroit éloigné de toute source de chaleur. La ventilation du chargeur se fait à travers des fentes situées au-dessus et en dessous du boîtier.
- Ne faites pas fonctionner le chargeur si le cordon ou la prise sont endommagés — faites-les remplacer immédiatement.
- Ne faites pas fonctionner le chargeur s'il a reçu un choc violent, s'il est tombé ou s'il est abîmé. Apportez-le à un centre de réparation agréé.
- Ne démontez pas le chargeur ; apportez-le à un centre de réparation agréé pour l'entretien et les réparations. S'il est mal remonté, il existe un risque de choc électrique, d'électrocution ou d'incendie.
- Si le cordon d'alimentation est endommagé, il doit être immédiatement remplacé par le fabricant, un réparateur agréé ou une autre personne de même qualification afin d'éviter tout danger.
- Débranchez le chargeur avant de le nettoyer. Cela permettra de réduire le risque de choc électrique. Le fait de retirer le bloc-batterie ne diminue pas ce risque.
- Ne connectez JAMAIS 2 chargeurs ensemble.

- Le chargeur est conçu pour fonctionner avec une alimentation électrique domestique standard. N'essayez pas de l'utiliser avec une tension différente. Cette remarque n'est pas valable pour le chargeur automobile.

### Chargeurs

Le chargeur SC122 accepte les batteries Li-Ion de 12 V max. / 10,8 V. Le chargeur n'a pas besoin de réglage et il est conçu pour faciliter son utilisation au maximum.

### ÉTIQUETTES DE L'OUTIL



Les symboles suivants ainsi que le code de date apparaissent sur l'appareil :



**Avertissement !** Afin de réduire le risque de blessure, l'utilisateur doit lire le manuel d'instruction.



Portez toujours des lunettes de sécurité.

Portez toujours un serre-tête antibruit.

### Position le code de la date

Le code de la date, comprenant aussi l'année de fabrication, est imprimé sur le boîtier de l'outil.

Exemple:

2017 XX JN

Année de fabrication

### CONTENU DE LA BOÎTE

#### La boîte contient :

- 1 perceuse à percussion
- 1 chargeur
- 2 batteries (S2) ou 1 batterie (S1)
- 1 mode d'emploi

**REMARQUE :** les batteries et les chargeurs ne sont pas inclus avec les modèles N.

- Vérifiez que l'outil, ses pièces et ses accessoires n'ont pas été endommagés pendant le transport.
- Prenez le temps de lire attentivement et de comprendre ce mode d'emploi avant d'utiliser l'outil.

### CARACTÉRISTIQUES (FIG A)

- Gâchette
- Bouton de rotation avant/arrière
- Collier de réglage du couple de serrage
- Sélecteur deux vitesses
- Mandrin auto-serrant
- Bouton de déverrouillage de batterie
- Batterie
- Éclairage de travail LED
- Bague de fonction

### MONTAGE

**AVERTISSEMENT !** Avant de procéder au montage, retirez d'abord la batterie de l'outil.

### Procédure de chargement (Fig. B)

- Branchez le chargeur (10) dans une prise adéquate avant d'insérer le bloc-batterie.
- Insérez le bloc-batterie (7) dans le chargeur. Le voyant rouge (chargement) clignote en continu pour indiquer que la charge a commencé.
- La charge est terminée quand le voyant rouge reste allumé. La batterie est alors totalement chargée et peut être utilisée ou laissée dans le chargeur.

**REMARQUE :** Pour garantir un rendement et une durée de vie maximum des batteries Li-Ion, chargez complètement le bloc-batterie avant la première utilisation.

### Processus de charge

Reportez-vous au tableau ci-dessous pour connaître l'état de charge du bloc-batterie.

État de charge		SC122
charge	--- --	clignotement vert
charge complète	-----	voyant vert
batterie chaude/froide	-----	clignotement rouge
batterie endommagée	*****	voyant rouge

### Délai de charge de batterie chaude/froide

Le chargeur SC122 intègre une fonction de délai froid/chaud. Quand le chargeur détecte une batterie qui est chaude, il temporise automatiquement la charge jusqu'à ce qu'elle ait refroidi. Quand le chargeur détecte une batterie qui est froide, il temporise automatiquement le chargement jusqu'à ce que la batterie se soit réchauffée. Le voyant rouge continue à clignoter et la procédure de charge ne peut pas démarrer. Une fois que la batterie a refroidi, le chargeur reprend la procédure de charge.

### Batterie endommagée

Le chargeur peut détecter une batterie faible ou endommagée. Le voyant rouge clignote selon le schéma indiqué sur l'étiquette. Si vous voyez ce schéma de clignotement de la batterie indiquant que celle-ci est endommagée, ne continuez pas à la charger. Renvoyez-la à un centre de services ou à un site de collecte pour le recyclage.

### Système de protection électronique

Les batteries Li-Ion STANLEY sont dotées d'un système de protection électronique qui permet de les protéger contre la surcharge, la surchauffe ou une décharge profonde. L'outil s'arrête automatiquement dès que le système de protection électronique se déclenche. Dans ce cas, placez la batterie Li-Ion sur le chargeur jusqu'à ce qu'elle soit complètement chargée.

### Consignes de sécurité importantes pour tous les blocs-batteries

Lorsque vous commandez des blocs-batteries de recharge, veuillez à indiquer le numéro de référence et la tension.

Le bloc-batterie n'est pas complètement chargé à la livraison. Avant d'utiliser le bloc-batterie et le chargeur, lisez les consignes de sécurité ci-après. Suivez ensuite les procédures de charge décrites.



**LISEZ TOUTES LES CONSIGNES**

- Ne chargez pas ou n'utilisez pas la batterie dans des atmosphères explosives, par exemple en présence de liquides, gaz ou poussières inflammables. L'insertion de la batterie dans le chargeur ou son retrait peuvent enflammer les poussières ou les vapeurs.
- Ne forcez jamais pour insérer le bloc-batterie dans le chargeur. Ne modifiez le bloc-batterie d'aucune manière pour le faire rentrer dans un chargeur non compatible. Il pourrait se briser et provoquer des blessures physiques graves.
- Chargez les blocs-batteries dans des chargeurs STANLEY uniquement.
- N'éclaboussez PAS et ne plongez pas le bloc-batterie dans l'eau ou d'autres liquides.
- Ne rangez pas et n'utilisez pas le bloc-batterie à des endroits où la température peut atteindre ou dépasser 40 °C (105 °F) (par exemple, les abris de jardin ou les bâtiments en métal en été).

**AVERTISSEMENT** : N'essayez jamais d'ouvrir le bloc-batterie pour quelque raison que ce soit. Si le boîtier du bloc-batterie est fissuré ou endommagé, ne l'insérez pas dans le chargeur. Le bloc-batterie ne doit pas subir d'écrasement, de chute ou de dommages. N'utilisez pas un bloc-batterie ou un chargeur s'il a reçu un choc violent, s'il est tombé, a été écrasé ou abîmé (percé avec un clou, frappé avec un marteau, piétiné). Il existe un risque de choc électrique ou d'électrocution. Les blocs-batteries endommagés doivent être renvoyés au centre de réparation pour être recyclés.



**ATTENTION** : Lorsque vous n'utilisez pas l'outil, posez-le sur son flanc sur une surface stable où il ne présente pas de risque de trébuchement ou de chute. Bien que certains outils munis d'un gros bloc-batterie puissent tenir à la verticale sur le bloc-batterie, ils peuvent être renversés facilement dans cette position.

### Consignes de sécurité spécifiques pour le Lithium Ion (Li-ion)

- N'incinerez pas le bloc-batterie même s'il est très endommagé ou complètement usé. Le bloc-batterie peut exploser au contact du feu. Lorsque les blocs-batteries au lithium-ion sont brûlés, ils dégagent des vapeurs et des matières toxiques.
- En cas de contact du contenu de la batterie avec la peau, lavez immédiatement la zone à l'eau et au savon doux. En cas de projection de liquide de batterie dans les yeux, rincez l'œil ouvert à l'eau pendant 15 minutes ou jusqu'à ce que l'irritation cesse. En cas de besoin d'assistance médicale, l'électrolyte de la batterie est composé d'un mélange de carbonates organiques liquides et de sels de lithium.
- Le contenu des batteries ouvertes peuvent irriter les voies respiratoires. Faites circuler de l'air frais. Si les symptômes persistent, consultez un médecin.



**AVERTISSEMENT** : Risque de brûlure. Le liquide de batterie peut s'enflammer au contact d'étincelles ou de flammes.

### Transport

Les batteries STANLEY sont conformes à toutes les réglementations en vigueur en matière de transport, tel que le décrivent les normes juridiques et industrielles, notamment les suivantes :

Recommandations des Nations Unies relatives au transport des marchandises dangereuses ; Règlements de l'Association internationale du transport aérien (IATA) relatifs aux matières dangereuses, Règlementations sur le transport maritime international des marchandises dangereuses (IMDG) et Accord européen relatif au transport international des marchandises dangereuses par route (ADR). Les piles et batteries au lithium-ion ont été testées selon la section 38.3 du Manuel d'épreuves et de critères des Recommandations des Nations Unies relatives au transport des marchandises dangereuses.

Dans la plupart des cas, le transport d'un bloc-batterie STANLEY sera exempté de l'obligation d'être effectué selon les réglementations relatives aux matières dangereuses de Classe 9. En général, le transport doit être traité conformément à la Classe 9 dans deux situations :

1. Transport aérien de plus de deux blocs-batteries lithium-ion STANLEY lorsque le colis ne contient que des blocs-batteries (pas d'outils)
2. Tout transport de batterie au lithium-ion dont l'énergie nominale est supérieure à 100 wattheures (Wh). L'énergie nominale en wattheures est indiquée sur toutes les batteries au lithium-ion.

Que le transport soit traité selon les réglementations ou en soit exempt, il en va de la responsabilité de l'expéditeur de consulter les réglementations les plus récentes concernant les exigences d'emballage, d'étiquetage/marquage et de documentation.

Le transport de batteries présente un risque d'incendie si les bornes de la batterie entrent accidentellement en contact avec des matériaux conducteurs. Lors du transport de batteries, veillez à ce que leurs bornes soient protégées et bien isolées des matériaux pouvant entrer en contact avec et provoquer un court-circuit.

Les informations contenues dans cette section du manuel sont fournies de bonne foi et sont censées être précises au moment de la création du présent document. Toutefois, aucune garantie, expresse ou implicite, n'est donnée. L'acquéreur a la responsabilité de s'assurer que ses activités sont conformes aux réglementations en vigueur.

### Bloc-batterie

#### Type de batterie

L'outil SCH121 fonctionne avec un bloc-batterie de 12 V.

#### Recommandations pour le rangement

1. L'appareil doit idéalement être rangé à un endroit frais et sec, protégé contre la lumière directe du soleil ainsi que les températures extrêmes (chaud ou froid). Pour optimiser le rendement et la durée de vie de la batterie, rangez le bloc-batterie à température ambiante lorsque vous ne l'utilisez pas.
2. Pour les entreposages prolongés, il est recommandé de charger complètement le bloc-batterie avant de le ranger hors du chargeur à un endroit frais et sec pour obtenir des résultats optimaux.

**REMARQUE** : Les blocs-batteries ne doivent pas être complètement déchargés avant leur rangement. Le bloc-batterie aura besoin d'être rechargé avant de l'utiliser.

#### Étiquettes sur le chargeur et le bloc-batterie

En plus des pictogrammes utilisés dans ce manuel, les étiquettes apposées sur le chargeur et le bloc-batterie peuvent comporter les symboles suivants :



Lire le mode d'emploi avant utilisation.



Voir la Fiche technique pour connaître la durée de charge.



Batterie en cours de charge. Batterie chargée.



Batterie chargée.



Batterie défectueuse.



Retardement bloc chaud/froid.



Ne pas approcher d'objets conducteurs.



Ne pas charger des blocs-batteries endommagés.



Ne pas exposer à l'eau.



Remplacer immédiatement les cordons défectueux.



Charger uniquement entre 4 °C et 40 °C.



Pour utilisation en intérieur uniquement.



Jeter le bloc-batterie selon les exigences en matière de respect de l'environnement.



Charger les blocs-batteries STANLEY uniquement à l'aide des chargeurs STANLEY spécifiés. Le fait de charger des blocs-batteries différents des batteries STANLEY spécifiées avec un chargeur STANLEY peut entraîner leur explosion ou d'autres situations dangereuses.

Ne pas incinérer le bloc-batterie.



## MONTAGE



**AVERTISSEMENT** : Avant le montage et les réglages, retirez toujours le bloc-batterie. Éteignez toujours l'outil avant d'insérer ou de retirer le bloc-batterie.



**AVERTISSEMENT** : Utilisez uniquement des blocs-batteries et des chargeurs STANLEY.

### Insérer et retirer le bloc-batterie de l'outil (Fig C)

**AVERTISSEMENT** : Pour réduire le risque de blessures physiques graves, placez le bouton de rotation avant/arrière en position de verrouillage ou éteignez l'outil et retirez le bloc-batterie avant de réaliser des réglages ou de retirer/installer des accessoires. Une mise en marche accidentelle présente un risque de blessure.

**REMARQUE** : Vérifiez que votre bloc-batterie (7) est complètement chargé.

### Installer le bloc-batterie dans la poignée de l'outil

1. Alignez le bloc-batterie avec les rails situés à l'intérieur de la poignée.
2. Faites-le glisser fermement jusqu'à ce que vous entendiez le déclic de verrouillage.

### Retirer le bloc-batterie de la poignée de l'outil

1. Appuyez sur le bouton de déverrouillage (6) et sortez le bloc-batterie de la poignée de l'outil en tirant fermement.
2. Insérez le bloc-batterie dans le chargeur, comme indiqué dans la section de ce manuel consacrée au chargeur.

## UTILISATION

### Position correcte des mains (Fig A, H)

**AVERTISSEMENT** : Afin de réduire le risque de blessure, positionnez TOUJOURS vos mains tel qu'indiqué sur l'illustration.

**AVERTISSEMENT** : Afin de réduire le risque de blessure, tenez TOUJOURS l'outil fermement pour anticiper une réaction soudaine.

Vous devez avoir une main sur la poignée principale pour être en conformité avec la bonne position (9).

### Choix du sens de rotation (fig. D)

Pour le serrage, utilisez la rotation avant (sens horaire). Pour le desserrage, utilisez la rotation arrière (sens antihoraire).

- Pour sélectionner la rotation avant, poussez le bouton de marche avant/arrière (2) à gauche.
- Pour sélectionner la rotation arrière, poussez le bouton de marche avant/arrière à droite.
- Pour verrouiller l'outil, poussez le bouton de marche avant/arrière au centre.
- Lorsque vous changez la position du bouton de marche avant/arrière, assurez-vous que la gâchette est relâchée.

### Commutateur à gâchette (Fig A)

Pour mettre l'appareil en marche, appuyez sur le commutateur à gâchette (1). Pour mettre l'appareil hors tension, relâchez le commutateur à gâchette. Votre outil est équipé d'un dispositif de verrouillage. Le mandrin sera arrêté lorsque vous relâcherez complètement la gâchette.

Le commutateur à vitesses variables vous permet de choisir la vitesse la plus appropriée à une utilisation particulière. Plus vous appuyez sur la gâchette, plus la vitesse de l'outil augmente. Pour assurer une durée de vie maximale à l'outil, utilisez la fonction de vitesse variable uniquement pour les trous de départ et les fixations.

**REMARQUE** : Il n'est pas recommandé d'utiliser en continu la fonction de vitesse variable. Cela peut endommager la gâchette et doit être évité.

### Collier de réglage du couple de serrage (Fig A, D)

Le collier de réglage du couple de serrage (3) est clairement identifié avec des numéros et un symbole représentant une mèche de forage. Le collier doit être tourné jusqu'à ce que le réglage souhaité se situe au dessus de l'outil. Le collier est doté de localisateurs afin de vous éviter de devoir faire des estimations lorsque vous définissez le couple de serrage. Plus le numéro sur le collier sera élevé, plus le couple et la profondeur de la fixation seront importants. Pour verrouiller l'embrayage pour les opérations de forage, déplacez le collier dans la position de la mèche de forage.

**REMARQUE :** Lorsque vous utilisez la perceuse/visseuse pour percer des trous, assurez-vous que le collier de réglage du couple de serrage soit aligné dans le même sens que la mèche avec la ligne centrale sur le dessus de l'appareil. Si vous ne respectez pas cette consigne, l'embrayage risque de patiner lorsque vous essayerez de percer.

### Sélecteur de vitesse (Fig A, D)

La fonction deux niveaux de votre perceuse vous permet de changer de vitesse pour une plus grande polyvalence.

Pour sélectionner la vitesse basse, couple élevé, mettez l'outil hors tension et laissez-le s'arrêter. Faites glisser le sélecteur de vitesse (4) vers l'avant (vers le mandrin). Pour sélectionner la vitesse élevée, couple bas, mettez l'appareil hors tension et laissez-le s'arrêter. Faites glisser le sélecteur de vitesse vers l'arrière (dans le sens contraire du mandrin).

Remarque : Ne changez pas de vitesse quand l'outil est en train de fonctionner. Si vous avez des difficultés à changer de vitesse, vérifiez que le bouton à deux vitesses est poussé complètement vers l'avant ou vers l'arrière.

### Lampe de travail à LED

La lampe de travail à LED (8) est située sous le collier de réglage du couple (3) et s'active automatiquement lorsque la gâchette est actionnée. La lampe de travail à LED s'allume dès que la gâchette est partiellement enfoncée, avant que l'outil ne commence à tourner.

**REMARQUE :** La lampe de travail LED sert à éclairer la surface de travail immédiate et n'est pas destinée à servir de lampe torche.

### Mandrin auto-serrant (Fig E)

Votre outil est équipé d'un mandrin auto-serrant avec un manchon tournant pour pouvoir utiliser le mandrin avec une main. Pour insérer une mèche de forage ou un autre accessoire, suivez ces étapes.

1. Verrouillez la gâchette en la mettant en position OFF tel que décrit précédemment.
2. Tenez le manchon noir du mandrin avec une main et utilisez l'autre main pour sécuriser l'appareil. Faites pivoter le manchon dans le sens antihoraire en laissant assez d'espace pour pouvoir insérer l'accessoire de votre choix.
3. Insérez l'accessoire d'environ 19mm (3/4") dans le mandrin et serrez fermement en faisant pivoter le manchon du mandrin dans le sens horaire avec une main tout en tenant l'outil avec l'autre. Votre outil est équipé d'un mécanisme de blocage d'axe. Cela vous permet d'ouvrir et de fermer le mandrin avec une main. Pour relâcher l'accessoire, reproduisez l'étape 2 ci-dessus.



**WARNING:** N'essayez pas de serrer les mèches de forage (ou tout autre accessoire) en tenant la partie avant du mandrin et mettant l'outil en marche. Vous risquez d'endommager le mandrin et de vous blesser. Verrouillez toujours la gâchette lorsque vous changez d'accessoire.

Assurez-vous de serrer le mandrin avec une main sur le manchon du mandrin et l'autre sur l'appareil pour un maximum de maintien.

### Étirer le mandrin (Fig F)

Tournez le collier de réglage en position de "mèche" et le sélecteur de vitesse en position 1 (vitesse basse). Serrez le mandrin sur l'extrémité la plus petite de la clé exagonale (non fournie) de 6,35mm (1/4") ou une autre plus grande. À l'aide d'un marteau en bois ou d'un objet

similaire, tapez sur l'extrémité la plus longue dans le sens horaire, tel qu'indiqué sur l'illustration. Cela détendra la vis dans le mandrin.

Ouvrez complètement les mors du mandrin, insérer un tournevis (ou un outil Torx si nécessaire) à l'avant du mandrin entre les mors afin d'engager la tête de la vis. Retirez la vis en tournant dans le sens horaire (extrémité gauche). Placez la clé exagonale dans le mandrin et serrez, tel qu'illustré sur l'image F. Utilisez un marteau en bois ou un objet similaire, tapez fermement sur la clé dans le sens antihoraire. Cela détendra le mandrin de manière à pouvoir le dévisser à la main.

### Installer le mandrin (Fig G)

Vissez le collet à la main tant que vous pouvez et insérez la vis (extrémité gauche). Serrez fermement la vis. Serrez le mandrin sur l'extrémité la plus petite d'une clé exagonale de 6,35mm (1/4") ou une plus grande (non fournie) tapez sur l'extrémité la plus longue dans le sens horaire avec un marteau en bois, tel qu'indiqué. Serrez la vis une nouvelle fois en tournant dans le sens antihoraire.

### Fonctionnement en tant que perceuse



**AVERTISSEMENT :** Afin de réduire le risque de blessure, mettez l'appareil hors tension et débranchez-le de l'alimentation avant d'effectuer des réglages ou de retirer/installer des accessoires.



**AVERTISSEMENT :** Afin de réduire le risque de blessure, assurez-vous que la pièce à traiter soit TOUJOURS bien fixée. Si vous percez un matériau fin, utilisez un "support" en bois afin d'éviter d'endommager le matériel.

Placez le collier de réglage sur le symbole de mèche de forage pour percer. Sélectionnez la puissance de la vitesse/couple à l'aide du sélecteur de vitesse afin d'obtenir la vitesse et le couple nécessaires à l'utilisation prévue.

- Utilisez uniquement des mèches aiguisées. Pour le BOIS, utilisez des forets hélicoïdaux, des scies cloche ou des mèches à trois pointes. Pour le METAL, utilisez des forets hélicoïdaux en acier rapide ou des scies cloches.
- Exercez toujours une pression en formant une ligne droite avec la mèche. Exercez suffisamment de pression afin de permettre à la mèche de s'accrocher mais ne forcez pas trop pour éviter de bloquer le moteur ou de dévier la mèche.
- Tenez l'outil fermement avec vos deux mains pour contrôler l'action de torsion de la mèche.



**AVERTISSEMENT :** La mèche risque de caler si elle est surchargée et provoquer une torsion soudaine. Attendez toujours qu'elle soit bien calée. Tenez la perceuse fermement avec vos deux mains pour contrôler l'action de torsion et éviter des blessures.

- si la perceuse cale, c'est souvent parce qu'elle est surchargée ou n'est pas utilisée de la manière appropriée. Relâchez immédiatement la gâchette, retirez la mèche en cours d'utilisation et déterminez pourquoi l'outil a calé. Ne mettez pas la gâchette en position de marche ou d'arrêt pour faire fonctionner une perceuse qui a calé — cela peut endommager la perceuse.
- Pour éviter de caler ou de casser le matériel, exercez moins de pression sur la perceuse et détendez un peu la mèche pour la dernière étape de perçage.

- Tenez le moteur allumé lorsque vous retirez la mèche d'un trou que vous venez de percer. Cela vous évitera de rester coincé.
- Il n'est pas nécessaire de marquer au pointeau le centre du trou à percer avec les perceuses à vitesse variable. Commencez à percer le trou à faible vitesse et accélérez en appuyant plus fermement sur la gâchette lorsque le trou est suffisamment profond et que la mèche ne risque pas de tomber.

### Fonctionnement de la perceuse à percussion (Fig.D)

1. Tournez la bague (9) jusqu'au symbole de perceuse à percussion.
2. Sélectionnez le paramètre de grande vitesse en glissant le sélecteur vers l'avant (vers le mandrin). Important : Utilisez des forets à pointe carbure ou des forets pour maçonnerie uniquement.
3. Appliquez juste assez de force sur le marteau pour l'empêcher de trop sauter ou d'éloigner le foret. Trop de force se traduira en vitesses de perçage faibles, surchauffe et débit de perçage réduit.
4. Percez droit, en gardant le foret dans le bon angle par rapport à la surface de travail. N'exercez pas de pression latérale sur le foret lorsque vous percez, celle-ci pouvant entraîner l'obstruction des rainures du foret et une réduction de la vitesse de perçage.
5. Lorsque vous percez des trous profonds, si la perceuse commence à ralentir considérablement, ressortez une partie du foret avec l'outil toujours en marche pour aider à retirer les débris dans le trou.

**REMARQUE** : Un débit régulier et léger de poussière sortant du trou indique que la vitesse de perçage est appropriée.

### Fonctionnement en tant que visseuse

Sélectionnez la vitesse et le couple de votre choix à l'aide de la gâchette à vitesse à double portée située sur le dessus de l'outil afin d'atteindre la vitesse et le couple requis pour l'utilisation prévue.

Insérez l'accessoire de serrage de votre choix dans le mandrin comme vous le feriez pour n'importe quelle mèche de forage. Faites quelques essais sur quelques chutes de matériaux ou dans des zones non visibles afin de déterminer la position appropriée du collier d'embrayage

### Capacité maximum recommandée

	Puissance faible-1	Puissance haute-2
Mèches, embouts en métal	6.00 mm	3.00 mm
Bois, Forage plat	19.00 mm	12.00 mm
Scies cloches	19.00 mm	16.00 mm
Briquetage		8.00 mm

## ENTRETIEN

Votre outil STANLEY a été conçu pour fonctionner pendant longtemps avec un minimum d'entretien. Un fonctionnement continu satisfaisant dépend d'un nettoyage régulier et d'un entretien approprié de l'outil.



**AVERTISSEMENT** : Pour réduire le risque de blessures physiques graves, placez le bouton de marche avant/arrière en position de verrouillage ou éteignez l'outil et retirez le bloc de batteries avant de réaliser des réglages ou de retirer/installer des accessoires. Une mise en marche accidentelle peut provoquer des blessures. Le chargeur et le bloc à batteries ne sont pas réparables. Il y a des composants non réparables à l'intérieur.

### Lubrification



Votre outil électrique ne nécessite pas de lubrification supplémentaire.



### Nettoyage



**AVERTISSEMENT** : nettoyez la saleté et la poussière du boîtier principal à l'air sec dès que vous voyez la saleté s'accumuler à l'intérieur des événements et autour de ceux-ci. Portez un dispositif de protection oculaire et un masque anti-poussière approprié au moment d'exécuter cette procédure.



**AVERTISSEMENT** : N'utilisez jamais de solvants ou tout autre produit chimique décapant pour nettoyer les parties non métalliques de l'outil. Ces produits chimiques pourraient attaquer les matériaux plastiques utilisés. Utilisez un chiffon humidifié avec de l'eau et un savon doux. Assurez-vous qu'aucun liquide ne pénètre dans l'outil ; n'immergez jamais l'outil dans un liquide.

### Instructions pour le nettoyage du chargeur



**AVERTISSEMENT** : Risque de choc électrique. Débranchez le chargeur de l'adaptateur de courant alternatif avant de le nettoyer. La saleté et la graisse sur l'extérieur du chargeur peuvent être retirés avec un chiffon ou une brosse douce non-métallique. N'utilisez pas d'eau ni de produit de nettoyage.

### Accessoires



**AVERTISSEMENT** : L'utilisation d'accessoires différents de ceux proposés par STANLEY peut être dangereuse, car ils n'ont pas été testés avec ce produit. Pour réduire le risque de blessure, il convient de n'utiliser que des accessoires recommandés par STANLEY avec ce produit.

Contactez votre revendeur pour plus d'informations sur les accessoires appropriés.

## PROTECTION DE L'ENVIRONNEMENT



Collecte sélective. Ce produit ne doit pas être mis au rebut avec les ordures ménagères normales.

Si vous deviez un jour remplacer votre produit STANLEY ou si vous ne l'utilisez plus, ne le jetez pas avec les ordures ménagères. Faites en sorte que ce produit soit traité séparément.



STANLEY met à disposition un centre de collecte et de recyclage pour les produits STANLEY en fin de vie. Et pour en tirer parti, vous devez retourner votre produit à un agent de réparation agréé qui se chargera de la collecte.

Vous pouvez trouver l'agent de réparation agréé le plus proche en contactant votre agence STANLEY locale à l'adresse indiquée dans ce manuel. Autrement, une liste d'agents de réparation agréés STANLEY et des informations complètes concernant notre service après-vente, y compris les coordonnées, sont disponibles en ligne à l'adresse suivante : [www.2helpU.com](http://www.2helpU.com).

### Batteries

Les batteries STANLEY peuvent être rechargées à de nombreuses reprises. En fin de vie, jetez les batteries selon les exigences en matière de respect de l'environnement :

- Déchargez complètement la batterie puis retirez-la de l'outil.
- Les batteries NiCd, NiMH et Li-Ion sont recyclables. Apportez-les à un agent de réparation agréé ou à un centre de recyclage.

### REMARQUES

STANLEY mène une politique d'amélioration continue de ses produits et se réserve, de ce fait, le droit d'en modifier les caractéristiques sans préavis. Les accessoires ou équipements peuvent varier selon le pays. Les spécifications du produit peuvent varier selon le pays. La gamme complète du produit peut ne pas être disponible dans tous les pays. Contactez votre revendeur STANLEY local concernant la disponibilité de la gamme.

### INFORMATION POUR LA RÉPARATION

STANLEY dispose d'un réseau intégral de centres de réparation appartenant à l'entreprise et agréés. Tous les centres de réparation STANLEY possèdent un personnel formé spécialement pour garantir aux clients une réparation fiable et efficace des outils électriques. Pour en savoir plus sur nos centres de réparation agréés et en cas de besoin de conseils techniques, de réparation ou de pièces rechange d'origine, contactez le concessionnaire STANLEY le plus proche.

### CARACTÉRISTIQUES TECHNIQUES

#### SCH121

Tension	$V_{DC}$	12V Max
Vitesse à vide	$\text{min}^{-1}$	0-400/0-1500
Fréquence d'impact	$\text{min}^{-1}$	0-6000/0-22500
Couple de serrage maxi	Nm	26
Capacité du mandrin	mm	10

#### Capacité maximale de perçage

Bois	mm	20
Métal	mm	10
Béton	mm	8

Chargeur		SC122
Tension d'entrée	$V_{AC}$	220 - 240
Tension de sortie	$V_{DC}$	22
Courant de sortie (DC)	A	1,25
Durée approx. de charge	min	70 (1.5Ah)

Batterie		SB12
Tension	$V_{DC}$	12V
Capacité	Ah	1.5
Type		Li-Ion

### GARANTIE 2 AN

Si votre appareil STANLEY s'avère défectueux en raison d'un vice de matériau ou de fabrication dans les 24 mois à compter de sa date d'achat, STANLEY garantit le remplacement gratuit de toute pièce défectueuse ou – à notre discrétion – le remplacement gratuit de l'appareil, à condition que :

- L'appareil n'ait pas été utilisé avec négligence et qu'il ait été utilisé en suivant les instructions contenues dans ce manuel;
- L'appareil ait été soumis à une usure normale;
- Aucune réparation n'ait été effectuée par du personnel non autorisé;
- Une preuve d'achat soit fournie;
- L'appareil STANLEY soit retourné complet, avec l'ensemble de ses composants originaux;
- L'utilisateur n'a pas utilisé le produit à des fins locatives.

Pour avoir recours à la garantie, contactez votre revendeur ou consultez l'emplacement du centre de réparations agréé STANLEY le plus proche dans le catalogue STANLEY ou contactez le service clientèle STANLEY à l'adresse indiquée dans ce manuel. Une liste des centres de réparations agréés STANLEY et tout détail complémentaire concernant notre service après-vente sont à votre disposition sur notre site internet : [www.2helpU.com](http://www.2helpU.com)

## НАЗНАЧЕНИЕ

Ваша ударная дрель/винтовёрт STANLEY SCH121 Li-Ion предназначен для выполнения операций в лёгком режиме по сверлению и заворачиванию. Данный инструмент предназначен для профессионального использования.

## ПРАВИЛА БЕЗОПАСНОСТИ

**Общие правила безопасности при работе с электроинструментами**



**ВНИМАНИЕ!** Внимательно прочтите все инструкции по использованию, правила безопасности, спецификации,

а также рассмотрите все иллюстрации, входящие в руководство по эксплуатации данного электроинструмента. Несоблюдение всех перечисленных ниже инструкций может привести к поражению электрическим током, возникновению пожара и/или получению серьёзной травмы.

Сохраните все инструкции по безопасности и руководство по эксплуатации для их дальнейшего использования. Термин «Электроинструмент» во всех приведённых ниже указаниях относится к вашему сетевому (с кабелем) электроинструменту или аккумуляторному (беспроводному) электроинструменту.

### 1. Безопасность рабочего места

- Содержите рабочее место в чистоте и обеспечьте хорошее освещение.** Плохое освещение или беспорядок на рабочем месте может привести к несчастному случаю.
- Не используйте электроинструменты, если есть опасность возгорания или взрыва, например, вблизи легко воспламеняющихся жидкостей, газов или пыли.** В процессе работы электроинструменты создают искровые разряды, которые могут воспалить пыль или горячие пары.

**с. Во время работы с электроинструментом не подпускайте близко детей или посторонних лиц.** Отвлечение внимания может вызвать у Вас потерю контроля над рабочим процессом.

### 2. Электробезопасность

- Вилка кабеля электроинструмента должна соответствовать штепсельной розетке. Ни в коем случае не видоизменяйте вилку электрического кабеля. Не используйте соединительные штепсели-переходники, если в силовом кабеле электроинструмента есть провод заземления.** Использование оригинальной вилки кабеля и соответствующей ей штепсельной розетки уменьшает риск поражения электрическим током.
- Во время работы с электроинструментом избегайте физического контакта с заземлёнными объектами, такими как трубопроводы, радиаторы отопления, электроплиты и холодильники.** Риск поражения электрическим током увеличивается, если Ваше тело заземлено.
- Не используйте электроинструмент под дождём или во влажной среде.** Попадание воды в электроинструмент увеличивает риск поражения электрическим током.
- Бережно обращайтесь с электрическим кабелем. Ни в коем случае не используйте кабель для переноски электроинструмента или для**

вытягивания его вилки из штепсельной розетки.

**Не подвергайте электрический кабель воздействию высоких температур и смазочных веществ; держите его в стороне от острых кромок и движущихся частей электроинструмента.** Повреждённый или запутанный кабель увеличивает риск поражения электрическим током.

- При работе с электроинструментом на открытом воздухе используйте удлинительный кабель, предназначенный для наружных работ.** Использование кабеля, пригодного для работы на открытом воздухе, снижает риск поражения электрическим током.
- При необходимости работы с электроинструментом во влажной среде используйте источник питания, оборудованный устройством защитного отключения (УЗО).** Использование УЗО снижает риск поражения электрическим током.

### 3. Личная безопасность

- При работе с электроинструментами будьте внимательны, следите за тем, что Вы делаете, и руководствуйтесь здравым смыслом. Не используйте электроинструмент, если Вы устали, а также находясь под действием алкоголя или понижающих реакцию лекарственных препаратов и других средств.** Малейшая неосторожность при работе с электроинструментами может привести к серьёзной травме.
- При работе используйте средства индивидуальной защиты. Всегда надевайте защитные очки.** Своевременное использование защитного снаряжения, а именно: пылезаститной маски, ботинок на нескользящей подошве, защитного шлема или противושумовых наушников, значительно снизит риск получения травмы.
- Не допускайте непреднамеренного запуска. Перед тем, как подключить электроинструмент к сети и/или аккумулятору, поднять или перенести его, убедитесь, что выключатель находится в положении «выключено».** Не переносите электроинструмент с нажатым курковым выключателем и не подключайте к сетевой розетке электроинструмент, выключатель которого установлен в положение «включено», это может привести к несчастному случаю.
- Перед включением электроинструмента снимите с него все регулировочные или гаечные ключи.** Регулировочный или гаечный ключ, оставленный закреплённым на вращающейся части электроинструмента, может стать причиной получения тяжёлой травмы.
- Работайте в устойчивой позе. Всегда твёрдо стойте на ногах, сохраняя равновесие.** Это позволит Вам не потерять контроль при работе электроинструментом в непредвиденной ситуации.
- Одевайтесь соответствующим образом. Во время работы не надевайте свободную одежду или украшения.** Следите за тем, чтобы Ваши волосы или одежда находились в постоянном отдалении от движущихся частей инструмента. Свободная одежда, украшения или длинные волосы могут попасть в движущиеся части инструмента.
- Если электроинструмент снабжён устройством сбора и удаления пыли, убедитесь, что данное**

- устройство подключено и используется надлежащим образом. Использование устройства пылеудаления значительно снижает риск возникновения несчастного случая, связанного с запылённостью рабочего пространства.
- h. **Даже если Вы являетесь опытным пользователем и часто используете подобные инструменты, не позволяйте себе расслабиться и игнорировать правила безопасности при использовании инструментов.** Неосторожность и невнимательность при работе могут привести к тяжёлым травмам за доли секунды.
4. **Использование электроинструментов и технического уход**
    - a. **Не перегружайте электроинструмент.** Используйте Ваш инструмент по назначению. Электроинструмент работает надёжно и безопасно только при соблюдении параметров, указанных в его технических характеристиках.
    - b. **Не используйте электроинструмент, если его выключатель не устанавливается в положение включения или выключения.** Электроинструмент с неисправным выключателем представляет опасность и подлежит ремонту.
    - c. **Отключайте электроинструмент от сетевой розетки и/или извлекайте аккумулятор (если имеется) перед регулировкой, заменой принадлежностей или при хранении электроинструмента.** Такие меры предосторожности снижают риск случайного включения электроинструмента.
    - d. **Храните неиспользуемые электроинструменты в недоступном для детей месте и не позволяйте лицам, не знакомым с электроинструментом или данными инструкциями, работать с электроинструментом.** Электроинструменты представляют опасность в руках неопытных пользователей.
    - e. **Регулярно проверяйте исправность электроинструмента и дополнительных принадлежностей.** Проверяйте точность совмещения и легкость перемещения подвижных частей, целостность деталей и любых других элементов электроинструмента, воздействующих на его работу. Не используйте неисправный электроинструмент, пока он не будет полностью отремонтирован. Большинство несчастных случаев являются следствием недостаточного технического ухода за электроинструментом.
    - f. **Следите за остротой заточки и чистотой режущих принадлежностей.** Принадлежности с острыми кромками позволяют избежать заклинивания и делают работу менее утомительной.
    - g. **Используйте электроинструмент, аксессуары и насадки в соответствии с данным Руководством по эксплуатации и с учётом рабочих условий и характера будущей работы.** Использование электроинструмента не по назначению может создать опасную ситуацию.
    - h. **Следите, чтобы рукоятки и поверхности захвата оставались сухими, чистыми и не содержали следов масла и консистентной смазки.** Скользкие рукоятки и поверхности захвата не обеспечивают безопасное обращение и управление инструментом в неожиданных ситуациях.
  5. **Использование аккумуляторных инструментов и технического уход**
    - a. **Заряжайте аккумулятор зарядным устройством марки, указанной производителем.** Зарядное устройство, которое подходит к одному типу аккумуляторов, может создать риск возгорания в случае его использования с аккумуляторами другого типа.
    - b. **Используйте электроинструменты только с разработанными специально для них аккумуляторами.** Использование аккумулятора какой-либо другой марки может привести к возникновению пожара и получению травмы.
    - c. **Держите не используемый аккумулятор подальше от металлических предметов, таких как скрепки, монеты, ключи, гвозди, шурупы, и других мелких металлических предметов, которые могут замкнуть контакты аккумулятора.** Короткое замыкание контактов аккумулятора может привести к получению ожогов или возникновению пожара.
    - d. **В критических ситуациях из аккумулятора может вытечь жидкость (электролит); избегайте контакта с кожей. Если жидкость попала на кожу, смойте её водой. Если жидкость попала в глаза, обращайтесь за медицинской помощью.** Жидкость, вытекающая из аккумулятора, может вызвать раздражение или ожоги.
  6. **Техническое обслуживание**
    - a. **Ремонт Вашего электроинструмента должен производиться только квалифицированными специалистами с использованием идентичных запасных частей.** Это обеспечит безопасность Вашего электроинструмента в дальнейшей эксплуатации.
    - b. **Никогда не ремонтируйте самостоятельно повреждённые аккумуляторы.** Ремонт аккумуляторов должен производиться только производителем или в авторизованном сервисном центре.

#### ДОПОЛНИТЕЛЬНЫЕ МЕРЫ БЕЗОПАСНОСТИ ПРИ РАБОТЕ С ЭЛЕКТРОИНСТРУМЕНТАМИ



**ВНИМАНИЕ!** Дополнительные правила безопасности при работе дрелями/винтовёртами

- **При сверлении с ударом всегда надевайте противошумные наушники.** Воздействие шума может привести к потере слуха.
- **При работе пользуйтесь дополнительными рукоятками, прилагающимися к инструменту.** Потеря контроля над инструментом может привести к получению тяжёлой травмы.
- **Держите инструмент за изолированные ручки при выполнении операций, во время которых режущий инструмент может соприкасаться со скрытой проводкой.** Контакт насадки с находящимся под напряжением проводом делает не покрытые изоляцией металлические части электроинструмента также «живыми», что создаёт опасность поражения оператора электрическим током.
- **Держите инструмент за изолированные ручки при выполнении операций, во время которых крепёжный элемент может соприкасаться со**

**скрытой проводкой.** Контакт крепёжного элемента с находящимся под напряжением проводом делает не покрытые изоляцией металлические части электроинструмента также «живыми», что создаёт опасность поражения оператора электрическим током.

- **Используйте струбцины или другие приспособления для фиксации обрабатываемой детали, устанавливая их только на неподвижной поверхности.** Если держать обрабатываемую деталь руками или с упором в собственное тело, то можно потерять контроль над инструментом или обрабатываемой деталью.
- Прежде чем сверлить отверстия в стенах, полах или потолках, проверьте наличие электропроводки и трубопроводов.
- Не дотрагивайтесь до наконечника сверла сразу же после окончания сверления, так как он может быть горячим.
- Назначение инструмента описывается в данном руководстве по эксплуатации.
- Использование любых принадлежностей или приспособлений, а также выполнение данным инструментом любых видов работ, не рекомендованных данным руководством по эксплуатации, может привести к несчастному случаю и/или повреждению личного имущества.

### БЕЗОПАСНОСТЬ ПОСТОРОННИХ ЛИЦ

- Данное изделие не может использоваться людьми (включая детей) со сниженными физическими, сенсорными и умственными способностями или при отсутствии необходимого опыта или навыка, за исключением, если они выполняют работу под присмотром лица, отвечающего за их безопасность.
- Не позволяйте детям играть с инструментом.

### Остаточные риски

При работе данным инструментом возможно возникновение дополнительных остаточных рисков, которые не вошли в описанные здесь правила техники безопасности. Эти риски могут возникнуть при неправильном или продолжительном использовании изделия и т.п.

Несмотря на соблюдение соответствующих инструкций по технике безопасности и использование предохранительных устройств, некоторые остаточные риски невозможно полностью исключить. К ним относятся:

- Травмы в результате касания вращающихся/двигающихся частей инструмента.
- Риск получения травмы во время смены деталей или насадок.
- Риск получения травмы, связанный с продолжительным использованием инструмента. При использовании инструмента в течение продолжительного периода времени делайте регулярные перерывы в работе.
- Ухудшение слуха.
- Ущерб здоровью в результате вдыхания пыли в процессе работы с инструментом (например, при обработке древесины, в особенности, дуба, бука и ДВП).

### ЭЛЕКТРОБЕЗОПАСНОСТЬ

Электрический двигатель рассчитан на работу только при одном напряжении электросети. Всегда следите, чтобы напряжение аккумулятора соответствовало напряжению, обозначенному на паспортной табличке инструмента. Также убедитесь, что напряжение вашего зарядного устройства соответствует напряжению электросети.



Ваше зарядное устройство защищено двойной изоляцией, что исключает потребность в заземляющем проводе.

Всегда проверяйте, соответствует ли напряжение, указанное на табличке с техническими параметрами, напряжению электросети. Ни в коем случае не пытайтесь заменить зарядный блок стандартным сетевым штепселем.

- Во избежание несчастного случая, замена повреждённого кабеля питания должна производиться только на заводе-изготовителе или в авторизованном сервисном центре STANLEY.

### ИСПОЛЬЗОВАНИЕ УДЛИНИТЕЛЬНОГО КАБЕЛЯ

Используйте удлинительный кабель только в случае крайней необходимости! Всегда используйте удлинительный кабель установленного образца, соответствующий входной мощности вашего зарядного устройства (см. раздел «Технические характеристики»). Минимальный размер проводника должен составлять 1 мм<sup>2</sup>; максимальная длина кабеля не должна превышать 30 м.

При использовании кабельного барабана, всегда полностью разматывайте кабель.

### ВАЖНЫЕ ИНСТРУКЦИИ ПО БЕЗОПАСНОСТИ ДЛЯ ВСЕХ ЗАРЯДНЫХ УСТРОЙСТВ

**Сохраните данные инструкции:** Данное руководство содержит важные инструкции по эксплуатации и технике безопасности для зарядного устройства SC122.

- Перед началом эксплуатации зарядного устройства прочитайте все инструкции и ознакомьтесь с предупредительными символами на зарядном устройстве, аккумуляторе и продукте, работающем от аккумулятора.



**ВНИМАНИЕ:** Опасность поражения электрическим током. Не допускайте попадания жидкости внутрь зарядного устройства. Это может привести к поражению электрическим током.



**ПРЕДУПРЕЖДЕНИЕ:** Опасность получения ожога. Для снижения риска получения травмы, заряжайте только перезаряжаемые аккумуляторы марки STANLEY. Аккумуляторы других марок могут взорваться, что приведёт к получению травмы или повреждению зарядного устройства.



**ПРЕДУПРЕЖДЕНИЕ:** Не позволяйте детям играть с устройством.



**ПРЕДОСТЕРЕЖЕНИЕ:** В определенных условиях, когда зарядное устройство подключено к электросети, оно может быть закорочено посторонним материалом. Не допускайте попадания токопроводящих материалов, таких как шлифовальная пыль, металлическая стружка,



стальная проволока, алюминиевая фольга или слой металлических частиц и других подобных материалов в гнезда зарядного устройства. Всегда отключайте зарядное устройство от электросети, если в его гнезде нет аккумулятора. Отключайте зарядное устройство от электросети перед чисткой.

- НЕ ПЫТАЙТЕСЬ заряжать аккумулятор зарядными устройствами марок, не указанных в данном руководстве. Зарядное устройство и аккумулятор специально разработаны для совместного использования.
- Данные зарядные устройства не предусмотрены для зарядки аккумуляторов других марок, кроме STANLEY. Любое иное использование может привести к риску возникновения пожара, поражения электрическим током или смерти от электрического тока.
- Не подвергайте зарядное устройство воздействию дождя или снега!
- Отключайте зарядное устройство от электросети, вынимая вилку из розетки, а не потянув за кабель! Это снизит риск повреждения электрической вилки и кабеля.
- Располагайте кабель таким образом, чтобы на него нельзя было наступить, споткнуться об него, или иным способом повредить или сильно натянуть!
- Используйте удлинительный кабель только в случае крайней необходимости! Использование несоответствующего удлинительного кабеля может создать риск возникновения пожара, поражения электрическим током или смерти от электрического тока.
- Не кладите на верхнюю часть зарядного устройства какой-либо предмет и не ставьте зарядное устройство на мягкую поверхность, это может блокировать вентиляционные прорези и вызвать чрезмерный внутренний нагрев! Располагайте зарядное устройство вдали от источника тепла. Вентиляция зарядного устройства происходит через прорези, расположенные в верхней и нижней части его корпуса.
- Не эксплуатируйте зарядное устройство, если его кабель или вилка повреждены – сразу же заменяйте повреждённые детали.
- Не эксплуатируйте зарядное устройство, если оно получило повреждение вследствие сильного удара или падения или иного внешнего воздействия! Отнесите его в авторизованный сервисный центр.
- Не разбирайте зарядное устройство самостоятельно; для проведения технического обслуживания или ремонта отнесите его в авторизованный сервисный центр. Неправильная сборка может привести к риску поражения электрическим током или смерти от электрического тока.
- В случае повреждения электрического кабеля для предотвращения получения травмы он должен быть немедленно заменён производителем, его сервисным агентом или другим квалифицированным специалистом.
- Перед каждой операцией чистки отключайте зарядное устройство от электросети. Это снизит риск поражения электрическим током. Извлечение аккумулятора из зарядного устройства не приводит к снижению этого риска.
- НИКОГДА не пытайтесь подключать 2 зарядных устройств одновременно!

- Зарядное устройство рассчитано на работу от стандартной бытовой электросети. Не пытайтесь подключать его к источнику с другим напряжением. Данное указание не относится к автомобильному зарядному устройству.

### Зарядное устройство

Зарядное устройство SC122 заряжает Li-Ion аккумуляторы напряжением 12 В макс./10,8 В. Данное зарядное устройство не требует регулировки и является наиболее простым в эксплуатации.

### МАРКИРОВКА ИНСТРУМЕНТА

Помимо кода даты на инструменте имеются следующие знаки:



**ВНИМАНИЕ!** Полное ознакомление с руководством по эксплуатации снизит риск получения травмы.



Всегда работайте в защитных очках



Всегда используйте средства защиты слуха

### Положение даты штрих-кода

Дата кода, который также включает год изготовления, печатается на корпусе.

Пример:

2017 XX JN

Год изготовления

### КОМПЛЕКТ ПОСТАВКИ

В упаковку входят:

- 1 Перфоратор
- 1 Зарядное устройство
- 2 Аккумулятора (С2) или 1 аккумулятор (С1)
- 1 Руководство по эксплуатации

**ПРИМЕЧАНИЕ:** Аккумуляторы и зарядные устройства не входят в комплект поставки моделей N.

- Проверьте инструмент, детали и дополнительные приспособления на наличие повреждений, которые могли произойти во время транспортировки.
- Перед началом работы необходимо внимательно прочитать настоящее руководство и принять к сведению содержащуюся в нем информацию.

### ОПИСАНИЕ (Рисунок. А)

1. Курковый пусковой выключатель
2. Переключатель направления вращения (реверса)
3. Муфта установки крутящего момента
4. Переключатель скоростей
5. Быстрозажимной патрон
6. Отпирающая кнопка аккумулятора
7. Аккумулятор
8. Светодиодная подсветка
9. Муфта

### СБОРКА

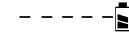

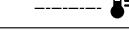


**ВНИМАНИЕ!** Перед установкой извлеките из инструмента аккумулятор.

**Процедура зарядки (Рис. В)**

1. Перед тем как вставить аккумулятор, подключите вилку зарядного устройства (10) к соответствующей сетевой розетке.
2. Вставьте аккумулятор (7) в зарядное устройство. Красный индикатор (зарядки) начнёт непрерывно мигать, указывая на начало процесса зарядки.
3. После завершения зарядки красный индикатор переходит в режим непрерывного свечения. Аккумулятор полностью заряжен, и его можно использовать с инструментом или оставить в зарядном устройстве.

**ПРИМЕЧАНИЕ:** Для достижения максимальной производительности и продления срока службы Li-Ion аккумуляторов, перед первым использованием полностью зарядите аккумулятор. Состояние заряда аккумулятора смотрите в приведённой ниже таблице:

Состояние заряда		SC122
зарядка		мигает зелёный индикатор
полностью заряжен		горит зелёный индикатор
холодный/горячий аккумулятор		мигает красный индикатор
повреждённый аккумулятор		быстро мигает красный индикатор

**Пауза для согревания/охлаждения аккумулятора**

Зарядное устройство SC122 имеет функцию паузы для согревания/охлаждения аккумулятора: Если зарядное устройство определит, что аккумулятор чрезмерно перегрет, оно автоматически остановит зарядку, пока аккумулятор не охладится. Если зарядное устройство определит, что аккумулятор чрезмерно охлаждён, оно автоматически остановит зарядку, пока аккумулятор не согреется. Красный индикатор продолжит мигать, и процедура зарядки не будет возобновлена. Как только аккумулятор охладится, зарядное устройство продолжит процесс зарядки аккумулятора.

**Повреждённый аккумулятор**

Зарядное устройство способно обнаружить протечку или наличие неисправности аккумулятора. В том случае красный светодиод начнёт мигать по схеме, обозначенной на этикетке. Если вы видите такое мигание, оповещающее о неисправности аккумулятора, остановите зарядку аккумулятора. Верните аккумулятор в авторизованный сервисный центр или сдайте в приёмный пункт на переработку.

**Электронная защитная система**

Инструменты STANLEY Li-Ion спроектированы по Электронной Защитной Системе, которая защищает аккумулятор от перегрузки, перегрева или глубокой разрядки. При срабатывании Электронной Защитной Системы инструмент автоматически отключится. Если это произошло, поместите Li-Ion аккумулятор в зарядное устройство до его полной зарядки. **Важные инструкции по безопасности для всех аккумуляторов**

При заказе аккумуляторов для замены, не забывайте указывать их номер по каталогу и Тнапряжение.

Извлечённый из упаковки аккумулятор заряжен не полностью. Перед началом эксплуатации аккумулятора и зарядного устройства, прочтите нижеследующие инструкции по безопасности. Затем приступайте к установленной процедуре зарядки.

**ПРОЧИТЕ ВСЕ ИНСТРУКЦИИ**

- Не заряжайте и не используйте аккумулятор во взрывоопасной атмосфере, например, в присутствии легко воспламеняющихся жидкостей, газов или пыли. При установке или извлечении аккумулятора из зарядного устройства пыль или газы могут воспламениться.
- Не вставляйте аккумулятор в зарядное устройство силой. Никоем образом не видоизменяйте аккумулятор для установки в не предназначенное для него зарядное устройство – аккумулятор может расколоться, что приведёт к получению тяжёлой телесной травмы.
- Заряжайте аккумуляторы только зарядными устройствами STANLEY.
- НЕ брызгайте и не погружайте в воду или другие жидкости.
- Не храните и не используйте инструмент и аккумулятор в местах, в которых температура может достичь или превысить 40 °C (например, наружные навесы или строения из металла в летнее время).



**ВНИМАНИЕ:** Ни в коем случае не пытайтесь разобрать аккумулятор. Не вставляйте в зарядное устройство аккумулятор с треснутым или повреждённым корпусом.

Не разбивайте, не бросайте и не ломайте аккумулятор. Не используйте аккумуляторы или зарядные устройства, которые подверглись воздействию резкого удара, удара при падении, попали под тяжёлый предмет или были повреждены каким-либо другим образом (например, проткнуты гвоздём, попали под удар молотка или под ноги). Это может привести к поражению электрическим током или смерти от электрического тока. Повреждённые

аккумуляторы должны возвращаться в сервисный центр на переработку.

**ПРЕДУПРЕЖДЕНИЕ:** Кладите не используемый инструмент набор на устойчивую поверхность в месте, в котором он не создаёт опасность, что об него могут споткнуться и упасть. Некоторые инструменты с аккумуляторами больших размеров ставятся на аккумулятор в вертикальном положении, но их легко опрокинуть.

**Специальные инструкции по безопасности для ионно-литиевых (Li-Ion) аккумуляторов**

- Не сжигайте аккумулятор, даже если он сильно повреждён или полностью изношен. Аккумулятор в огне может взорваться. При горении ионно-литиевых аккумуляторов выделяются токсичные пары и частицы.
- Если содержимое аккумулятора попало на кожу, немедленно промойте поражённый участок водой с мягким мылом. Если аккумуляторная жидкость попала в глаз, промывайте открытый глаз в течение 15 минут, пока не исчезнет раздражение. Если необходимо обратиться за медицинской помощью,

медиков следует поставить в известность, что аккумуляторный электролит состоит из смеси жидкого органического карбоната и солей лития.

- Содержимое открытых элементов аккумулятора может вызывать раздражение органов дыхания. Обеспечьте приток свежего воздуха. Если симптомы сохраняются, обратитесь за медицинской помощью.



**ВНИМАНИЕ:** Опасность получения ожога. Аккумуляторная жидкость может воспламениться при попадании искры или пламени.

## Транспортировка

Аккумуляторы STANLEY соответствуют всем применимым правилам транспортировки, прописанным производителем, а также национальным стандартам, включающим в себя Рекомендации ООН по перевозке опасных грузов; правила международной ассоциации воздушного транспорта (IATA) по перевозке опасных грузов, правила международного морского кодекса по опасным грузам (IMDG) и Европейское соглашение о перевозке опасных грузов автотранспортом (ADR). Каждый ионно-литиевый элемент или аккумулятор протестирован в соответствии с требованиями к испытаниям, указанными в подразделе 38.3 части по испытаниям и критериям Рекомендаций ООН по перевозке опасных грузов.

В большинстве случаев, перевозимый аккумулятор STANLEY освобождается от необходимости быть классифицированным, поскольку является материалом 9 класса опасности. Принадлежность к 9 классу опасности учитывается только в двух случаях:

1. Авиaperевозка более чем двух ионно-литиевых аккумуляторов STANLEY при наличии в упаковке только аккумуляторов (без инструментов), и
2. Любой вид перевозки ионно-литиевых аккумуляторов с удельной мощностью, превышающей 100 ватт-часов (Втч). Удельная мощность в ватт-часах указана на корпусе ионно-литиевого аккумулятора.

Вне зависимости от условий перевозки в обязанности грузоотправителя входит уточнение и получение информации о последних действующих правилах упаковки, маркировки и требований к документации.

Во время перевозки аккумуляторов существует риск возгорания при случайном контакте клемм аккумулятора с токопроводящими материалами. При перевозке аккумуляторов убедитесь, что клеммы аккумулятора защищены и надёжно изолированы от любых материалов, контакт с которыми способен вызвать короткое замыкание.

Информация данного раздела руководства по эксплуатации была предоставлена добровольно и на момент создания документа является полностью достоверной. Однако не было дано никаких гарантий - явно выраженных или подразумеваемых. Деятельность в соответствии с правилами и нормами полностью является ответственностью покупателя.

## Аккумулятор

### Тип аккумулятора

SCN121 заряжает аккумуляторы напряжением 12V.

## Рекомендации по хранению

1. Оптимальным местом для хранения является холодное и сухое место, вдали от прямых солнечных лучей и источников избыточного тепла или холода. Для увеличения производительности и срока службы, храните не используемые аккумуляторы при комнатной температуре.
2. Для обеспечения долгого срока службы аккумуляторов, при длительном хранении рекомендуется убирать полностью заряженные аккумуляторы в сухое прохладное место вдали от зарядного устройства.

**ПРИМЕЧАНИЕ:** Не убирайте на хранение полностью разряженные аккумуляторы. Перед использованием аккумулятор потребуется зарядить.

## Символы на зарядном устройстве и аккумуляторе

В дополнение к пиктограммам, содержащимся в данном руководстве по эксплуатации, на зарядном устройстве и аккумуляторе имеются символы, которые отображают следующее:



Перед использованием внимательно прочтите данное руководство по эксплуатации.



Время зарядки см. в разделе «Технические характеристики».



Аккумулятор заряжается.



A Аккумулятор заряжен.



A Аккумулятор неисправен.



Пауза для согревания/охлаждения аккумулятора.



Не касайтесь токопроводящими предметами контактов аккумулятора и зарядного устройства.



Ни в коем случае не пытайтесь заряжать повреждённый аккумулятор!



Не погружайте аккумулятор в воду.



Немедленно заменяйте повреждённый сетевой кабель.



Заряжайте аккумулятор при температуре окружающей среды в пределах 4°C-40°C.



Для использования только внутри помещений.



Утилизируйте отработанный аккумулятор безопасным для окружающей среды способом!



Заряжайте аккумуляторы STANLEY только зарядными устройствами STANLEY.

Зарядка аккумуляторов других марок зарядными устройствами STANLEY может привести к протечке или взрыву аккумулятора и другим опасным ситуациям.

Не бросайте аккумулятор в огонь.



## СБОРКА И РЕГУЛИРОВКА



**ВНИМАНИЕ:** Перед сборкой и регулировкой инструмента всегда извлекайте аккумулятор. Перед установкой или снятием аккумулятора всегда выключайте инструмент.



**ВНИМАНИЕ:** Используйте аккумуляторы и зарядные устройства только марки STANLEY.

### Установка и извлечение аккумулятора (Рисунок. С)



**ВНИМАНИЕ:** Для снижения риска получения тяжёлой травмы, устанавливайте переключатель направления движения в положение блокировки или выключайте

инструмент и извлекайте аккумулятор перед каждой операцией регулировки или снятием/установкой принадлежностей или насадок. Непреднамеренный запуск инструмента может привести к получению травмы.

**ПРИМЕЧАНИЕ:** Убедитесь, что аккумулятор (7) полностью заряжен.

### Для установки аккумулятора в рукоятку инструмента

1. Совместите аккумулятор с бороздками внутри рукоятки инструмента.
2. Вдвигайте аккумулятор в рукоятку, пока не услышите, что замок защёлкнулся на месте.

### Для извлечения аккумулятора из инструмента

1. Нажмите на отпирательную кнопку (6) и извлеките аккумулятор из рукоятки инструмента.
2. Вставьте аккумулятор в зарядное устройство, как описано в разделе «Зарядное устройство» данного руководства.

## ИНСТРУКЦИИ ПО ЭКСПЛУАТАЦИИ

### Правильное положение рук во время работы (Рис. А, Н)



**ВНИМАНИЕ:** Для уменьшения риска получения тяжёлой травмы, ВСЕГДА правильно удерживайте электроинструмент, как показано на рисунке.



**ВНИМАНИЕ:** Для уменьшения риска получения тяжёлой травмы, ВСЕГДА надёжно удерживайте инструмент, предупреждая внезапные сбои в работе.

Правильное положение рук во время работы: одной рукой удерживайте основную рукоятку (9).

### Выбор направления вращения (Рис. D)

Для заворачивания используйте вращение вперёд (по часовой стрелке). Для вывинчивания используйте обратное (против часовой стрелки) вращение (реверс).

- Для установки вращения вперёд сдвиньте

переключатель направления вращения (2) влево.

- Для установки реверса сдвиньте переключатель направления вращения вправо.
- Для блокировки электроинструмента, установите переключатель реверса в среднее положение.
- При изменении положения кнопки переключателя не забывайте отпускать курковый выключатель.

### Курковый пусковой выключатель (Рисунок. А)

Чтобы включить инструмент, нажмите на курковый пусковой выключатель (1). Для выключения инструмента отпустите курковый выключатель. Ваш инструмент оборудован тормозом. Патрон остановится только после того как курковый выключатель будет полностью отпущен.

Встроенный переключатель скорости позволяет выбрать наиболее подходящую скорость для каждой отдельной операции. Увеличение скорости регулируется интенсивностью нажатия на курковый выключатель. В целях продления срока службы Вашего инструмента используйте максимальную скорость только на начальном этапе высверливания отверстий или заворачивания крепёжных элементов.

**ПРИМЕЧАНИЕ:** Не рекомендуется непрерывно использовать инструмент во всём диапазоне скоростей. Это может привести к повреждению пускового выключателя.

### Переключатель направления вращения (реверса) (Рисунок. А)

- Переключатель направления вращения (2) устанавливает направление вращения инструмента, а также служит кнопкой блокировки.
- Для установки вращения вперёд, отпустите курковый выключатель и нажмите на переключатель направления вращения с правой стороны инструмента.
- Для установки реверса, нажмите на переключатель направления вращения с левой стороны инструмента.
- Кнопка переключателя, установленная в среднее положение, блокирует инструмент в состоянии «выключено». При изменении положения кнопки переключателя не забывайте отпускать курковый выключатель.

**ПРИМЕЧАНИЕ:** При первом включении инструмента после изменения направления вращения Вы можете услышать щелчок в момент запуска. Это нормально и не указывает на наличие какой-либо проблемы.

### Светодиодная подсветка

Под муфтой установки крутящего момента (3) расположена светодиодная подсветка (8). Подсветка загорается при нажатии на курковый пусковой выключатель.

**ПРИМЕЧАНИЕ:** Подсветка служит для освещения рабочей поверхности и не предназначена для использования в качестве фонарика.

### Муфта установки крутящего момента (Рисунок. А, D)

На муфту установки крутящего момента (3) нанесены цифры и символ сверла. Вращайте муфту до установления нужного значения в верхней части инструмента. На муфте предусмотрены указатели в целях предотвращения неточностей при выборе крутящего

момента. Чем выше цифра на муфте, тем выше крутящий момент и тем больше размер крепёжной детали, которую можно завернуть. Для блокировки муфты в режиме сверления передвиньте ее на позицию сверла.

**ПРИМЕЧАНИЕ:** При использовании дрели/шуруповёрта для высверливания отверстий убедитесь, что муфта установки крутящего момента расположена таким образом, чтобы символ сверла был выровнен по центральной линии в верхней части инструмента. В противном случае, при начале сверления муфта будет двигаться.

### **Переключатель скоростей (Рисунок. А, D)**

2-х скоростной редуктор Вашего инструмента позволяет легко переключаться с одной скорости на другую для максимальной универсальности применения инструмента.

Для установки низкой скорости/высокого крутящего момента выключите инструмент и дождитесь его полной остановки.

Переведите переключатель скоростей (4) вперёд (в направлении патрона). Для установки высокой скорости/низкого крутящего момента выключите инструмент и дождитесь его полной остановки. Переведите переключатель скоростей (4) назад (в направлении от патрона).

**ПРИМЕЧАНИЕ:** Не переключайте скорость при работающем инструменте. Если у Вас возникли проблемы при переключении скоростей, убедитесь, что переключатель скоростей полностью переведён вперёд или назад.

### **Светодиодная подсветка**

Светодиодная подсветка (8) расположена под муфтой установки крутящего момента (3) и автоматически загорается при нажатии на курковый пусковой выключатель. Светодиодная подсветка загорается при частично нажатом курковом выключателе, до того, как инструмент начнёт свою работу.

**ПРИМЕЧАНИЕ:** Светодиодная подсветка служит для освещения рабочей поверхности и не предназначена для использования в качестве фонарика.

### **Быстрозажимной патрон (Рисунок. Е)**

Ваш инструмент оборудован быстрозажимным патроном с одной поворотной муфтой для легкой и быстрой смены насадок одной рукой. Чтобы вставить сверло или другую насадку, выполните следующие шаги:

1. Заблокируйте курковый пусковой выключатель в положение ВЫКЛ., как было описано выше.
2. Обхватите заднюю часть муфты патрона одной рукой, а другой рукой удерживайте инструмент. Поворачивайте муфту в направлении против часовой стрелки, пока она не сдвинется на расстояние, позволяющее вставить нужную насадку.
3. Вставьте насадку в патрон на глубину приблизительно 19 мм и надёжно затяните, поворачивая муфту патрона по часовой стрелке одной рукой и удерживая инструмент другой рукой. Ваш инструмент оборудован механизмом автоматической блокировки шпинделя. Данный механизм позволяет открывать и затягивать патрон одной рукой. Чтобы извлечь насадку, повторите шаг 2.

**ВНИМАНИЕ:** Не пытайтесь закрепить сверло (или какую-либо другую насадку), захватив переднюю часть

патрона и одновременно включив инструмент. Это может привести к повреждению патрона и получению травмы. При смене насадок всегда блокируйте курковый выключатель в выключенном положении.

Для надёжной фиксации насадки всегда затягивайте патрон, поворачивая муфту одной рукой и удерживая инструмент другой рукой.

### **Снятие патрона (Рисунок. F)**

Поверните муфту установки крутящего момента на позицию сверла, а переключатель скоростей в положение 1 (низкая скорость). Зажмите в патроне короткий конец шестигранного ключа (не входит в комплект поставки инструмента) диаметром 6,35 мм (1/4") или более. Деревянным молотком или похожим предметом ударьте по длинному концу ключа, поворачивая его по часовой стрелке, как показано на рисунке. Таким образом, будет ослаблен винт внутри патрона.

Полностью раскройте кулачки патрона и вставьте отвёртку (или звездообразную насадку, если требуется) в переднюю часть патрона между кулачками, достигая головки винта. Открутите винт по часовой стрелке (левая резьба) и извлеките его из патрона. Вставьте в патрон шестигранный ключ и затяните, как показано на Рисунке F. Деревянным молотком или похожим предметом ударяйте по ключу, поворачивая его против часовой стрелки. Ослабив, таким образом, патрон, отвинтите его вручную.

### **Установка патрона (Рисунок. G)**

Навинтите патрон вручную настолько возможно и вставьте винт (с левой резьбой). Затяните винт с усилием. Зажмите в патроне короткий конец шестигранного ключа диаметром 6,36 мм (1/4") или более (не входит в комплект поставки инструмента) и деревянным молотком ударяйте по длинному концу ключа, поворачивая его по часовой стрелке, как показано на рисунке. Снова затяните винт, поворачивая его в направлении против часовой стрелки.

## **СВЕРЛЕНИЕ**

**ВНИМАНИЕ:** Для снижения риска получения тяжёлой травмы, перед регулировкой или снятием/установкой дополнительных принадлежностей или насадок выключайте инструмент и отсоединяйте его от электросети.

**ВНИМАНИЕ:** Для снижения риска получения травмы ВСЕГДА надёжно закрепляйте заготовку. При сверлении тонких материалов, для предотвращения их повреждения подкладывайте деревянный брусок.

Поверните муфту и установите её на символ сверла. При помощи переключателя скоростей (e) установите скорость и крутящий момент, оптимальные для выполнения задания.

- Всегда используйте только остро заточенные сверла. Для сверления в ДЕРЕВЕ используйте спиральные сверла, первые сверла или цифенборы. Для сверления в МЕТАЛЛЕ используйте высокоскоростные спиральные сверла из стали или цифенборы.
- Всегда прикладывайте давление по прямой линии со сверлом. Давление должно быть достаточным для равномерного врезания сверла, но не слишком большим, чтобы не вызвать останов двигателя или отклонение сверла.

- Крепко держите инструмент обеими руками, чтобы контролировать вращательное действие сверла.

**ВНИМАНИЕ:** В случае перегрузки в результате внезапного закручивания сверла дрель может остановиться. Всегда определяйте причину останова. Крепко держите инструмент обеими руками, чтобы контролировать вращательное действие сверла и избежать получения травмы.

- останов дрели обычно происходит в результате перегрузки инструмента или неправильного использования. Сразу же отпустите выключатель, извлеките сверло из заготовки и определите причину останова. Не пытайтесь внезапно остановившийся двигатель, нажимая на клавишу пускового выключателя – инструмент может выйти из строя.
- для сведения к минимуму риска внезапного останова инструмента или повреждения обрабатываемого материала Уменьшите давление на дрель и осторожно высверливайте последнюю часть отверстия.
- Не выключайте двигатель при извлечении сверла из высверленного отверстия. Это позволит избежать заклинивания сверла.
- При использовании регулировки скорости нет необходимости предварительно прокернивать высверливаемое отверстие. Начиная сверление, используйте низкую скорость и путем нажатия на курковый выключатель постепенно увеличивайте скорость, пока отверстие не будет достаточно глубоким, чтобы сверло из него не выскочило.

## Сверление с ударом (Рисунок. D)

1. Поверните муфту (9) и установите её на символ молотка.
2. Выберите установку высокой скорости, передвинув переключатель скоростей вперёд (в сторону патрона). Важно: Используйте только свёрла с твердосплавными напайками или свёрла по кирпичу.
3. Сверлите, прикладывая к ударной дрели усилие, которое не даст инструменту сильно отскакивать или «подниматься» на сверле. Чрезмерное усилие приводит к снижению скорости сверления, перегреву и снижению частоты ударов.
4. Сверлите по прямой линии, держа сверло под прямым углом к заготовке. В процессе сверления не прикладывайте к сверлу боковое давление, так как это приведет к забиванию канавок сверла и снижению скорости сверления.
5. Если в процессе высверливания глубоки отверстий скорость ударного сверления начинает падать, извлеките часть сверла из отверстия при работающем инструменте, чтобы очистить отверстие от отходов.

**ПРИМЕЧАНИЕ:** Плавный и равномерный выход отходов из отверстия указывает на надлежащую скорость сверления.

## Использование шуроповёрта

При помощи переключателя скоростей, расположенного в верхней части инструмента, установите скорость и крутящий момент, оптимальные для выполнения задания.

Вставьте в патрон отвёрточную насадку таким же способом, как и сверло. Выполните несколько пробных заворачиваний в обрезке материала или на скрытом участке, чтобы определить правильную позицию муфты установки крутящего момента.

## РЕКОМЕНДОВАННЫЕ ПАРАМЕТРЫ

	Низкая скорость- 1	Высокая скорость- 2
Насадки, сверление в металле	6.00 mm	3.00 mm
Древесина, плоское сверление	19.00 mm	12.00 mm
Цифенборы	19.00 mm	16.00 mm
Кирпич		8.00 mm

## ТЕХНИЧЕСКОЕ ОБСЛУЖИВАНИЕ

Ваш электроинструмент STANLEY рассчитан на работу в течение продолжительного времени при минимальном техническом обслуживании. Срок службы и надёжность инструмента увеличивается при правильном уходе и регулярной чистке.

**ВНИМАНИЕ:** Для снижения риска получения тяжёлой травмы, устанавливайте переключатель направления движения в положение блокировки или выключайте инструмент и извлекайте аккумулятор перед каждой операцией регулировки или снятием/установкой принадлежностей или насадок. Непреднамеренный запуск инструмента может привести к получению травмы.

Зарядное устройство и аккумулятор не требуют технического обслуживания. Внутри нет обслуживаемых пользователем деталей.

## Смазка



Ваш электроинструмент не требует дополнительной смазки.



## Чистка



**ВНИМАНИЕ:** Выдувайте грязь и пыль из корпуса сухим сжатым воздухом по мере видимого скопления грязи внутри и вокруг вентиляционных отверстий. Выполняйте данную процедуру, надев средство защиты глаз и респиратор утверждённого типа.



**ВНИМАНИЕ:** Никогда не используйте растворители или другие агрессивные химические средствами для очистки неметаллических деталей инструмента. Эти химикаты могут ухудшить свойства материалов, применённых в данных деталях. Используйте ткань, смоченную в воде с мягким мылом. Не допускайте попадания какой-либо жидкости внутрь инструмента; ни в коем случае не погружайте какую-либо часть инструмента в жидкость.

Инструкции по чистке зарядного устройства



**ВНИМАНИЕ:** Опасность поражения электрическим током. Перед чисткой отключите зарядное устройство от розетки сети переменного тока.

Грязь и масло можно удалять с наружной поверхности зарядного устройства с помощью ткани или мягкой неметаллической щётки. Не используйте воду или любой чистящий раствор.

### ЗАЩИТА ОКРУЖАЮЩЕЙ СРЕДЫ



Раздельный сбор. Данное изделие нельзя утилизировать вместе с обычными бытовыми отходами.

Если однажды Вы захотите заменить Ваш электроинструмент STANLEY, или Вы больше в нем не нуждаетесь, не выбрасывайте его вместе с бытовыми отходами. Отнесите изделие в специальный приемный пункт.



Фирма STANLEY обеспечивает прием и переработку отслуживших свой срок изделий STANLEY. Чтобы воспользоваться этой услугой, Вы можете сдать Ваше изделие в любой авторизованный сервисный центр, который собирает их по нашему поручению. Вы можете узнать место нахождения Вашего

ближайшего авторизованного сервисного центра, обратившись в Ваш местный офис STANLEY по адресу, указанному в данном руководстве по эксплуатации. Кроме того, список авторизованных сервисных центров STANLEY и полную информацию о нашем послепродажном обслуживании и контактах Вы можете найти в интернете по адресу: [www.2helpU.com](http://www.2helpU.com).

### Аккумуляторы

Аккумуляторы STANLEY можно подзаряжать неограниченное количество раз. По окончании срока службы утилизируйте отработанные аккумуляторы безопасным для окружающей среды способом:

- Полностью разрядите аккумулятор, затем извлеките его из инструмента.
- Li-Ion, NiCd и NiMH аккумуляторы подлежат переработке. Сдайте их в любой авторизованный сервисный центр или в местный пункт переработки.

### ПРИМЕЧАНИЯ

Политика STANLEY нацелена на постоянное усовершенствование нашей продукции, поэтому фирма оставляет за собой право изменять технические характеристики изделий без предварительного уведомления. Стандартное оборудование и дополнительные принадлежности могут меняться в зависимости от страны продаж. Технические характеристики продуктов могут различаться в зависимости от страны продаж. Полная линия продуктов присутствует на рынках не всех стран. Для получения информации касательно линии продуктов в Вашей стране обратитесь в ближайший сервисный центр STANLEY

## ИНФОРМАЦИЯ ПО ТЕХНИЧЕСКОМУ ОБСЛУЖИВАНИЮ

STANLEY имеет обширную сеть принадлежащих компании и авторизованных сервисных центров. В целях предоставления клиентам эффективного и надёжного технического обслуживания электроинструментов во всех сервисных центрах STANLEY работает обученный персонал. За дополнительной информацией о наших авторизованных сервисных центрах, а также, если Вы нуждаетесь в технической консультации, ремонте или покупке оригинальных запасных частей, обратитесь в ближайший к Вам сервисный центр STANLEY.

## ТЕХНИЧЕСКИЕ ХАРАКТЕРИСТИКИ

### SCH121

Напряжение	Впост. Тока	12V Max
Число оборотов без нагрузки	об/мин.	0-400/0-1500
Кол-во ударов в минуту	об/мин.	0-6000/0-22500
Максимальный крутящий момент	Нм	26
Патрон	мм	10

### Максимальный диаметр сверления:

Древесина	мм	20
Металл	мм	10
бетона	мм	8

### Зарядное устройство

### SC122

Напряжение питания	Вперем. Тока	220-240
Выходное напряжение	Впост. Тока	22
Ток	A	1.25
Время зарядки	мин	70 (1.5Ah)

### Аккумулятор

### SB12

Напряжение питания	В пост. тока	12
Ёмкость	Aч	1.5
Тип		Li-Ion



Приложение к руководству по эксплуатации электроинструмента

Дрели-шуруповерты

Модели: BDCD12\*-, BDCD18\*-, BDCD8\*-, BDCDD186\*-, BDCDD18\*-, BDCDD12\*-, BDCDD18\*-, BDCDD12\*-, LD12\*-, EPC12CAKA\*-, EPC12\*-, EPC182K2\*-, EPC182\*-, BDCD188\*-, BDCD18\*-, BDH18K\*-, BDH18\*-, BDK188K\*-, BDK188\*-, EGBHP1881\*-, BDK188\*-, EGBHP1881\*-, CS3651\*-, CS3652\*-, CS3653\*-, DCD700\*-, DCD731\*-, DCD791\*-, DCD792\*-, DCD932\*-, DCD990\*-, DCD991\*-, DCD992\*-, DCD996\*-, DCD97\*-, DCD937\*-, DCD996\*-, DCD997\*-, DCF620\*-, DCF621\*-, DCF682\*-, DCF885\*-, DCF888\*-, FMC010PR\*-, FMC011\*-, FMC011S\*-, FMC600M2\*-, FMC600\*-, FMC601\*-, FMC635\*-, FMC020S\*-, FMC020\*-, FMC520LB\*-, FMC620PR\*-, FMC620\*-, FMC625\*-, FMC625PR\*-, FMC625\*-, FMC626C2\*-, FMC040\*-, FMC041S\*-, FMC041\*-, FMC640\*-, FMC645\*-, FMC645\*-, FMC640\*-, FMC645\*-, FMC640\*-, FMC645\*-, SCD12\*-, SCD20\*-, STCD1081\*-, STCD1200\*-, STCD12\*-, STCD20\*-, STCD001\*-, STCD012\*-, STCD100\*-, STCD1081\*-, STCD108LD\*-, STCD108L\*-, STCD108\*-, STCD18LD\*-, STCD18\*-, STPC001L\*-, SHC12S\*-, SCH12\*-, SCH20C\*-, SCH20\*-, STCH1200B2\*-, STCH12\*-, STCH20\*-, STDC18HBK\*-, STDC18LNB\*-, SCH12\*-, STCH1081\*-, STCH1200\*-, STCH12\*-, STCH1440\*-, STDC041\*-, SCS12\*-, где \* - не более 5 символов (буква от «А» до «Z» и/или цифра от 0 до 9, знак дефис или их отсутствие)

СЕРТИФИКАТ СОПОТВЕТСТВИЯ № RU C-DE.AЯ46.B.84366  
 Действителен до: 11 марта 2021 г.

Выдан: Орган по сертификации "РОСТЕСТ-Москва", Адрес: 119049, г. Москва, улица Житная, д. 14, стр. 1; 117418, Москва, Нахимовский просп., 31 (фактический), Телефон: (499) 1292311, (495) 6682893, Факс: (495) 6682893, E-mail: office@rostest.ru

Изготовитель: Изготовитель: Блэк энд Деккер Холдингс ГмбХ, Германия, 65510, Идштайн, ул. Блэк энд Деккер, 40, тел. +496126212790.

**Хранение.**

Необходимо хранить в сухом месте, вдали от источников повышенных температур и воздействия солнечных лучей. При хранении необходимо избегать резкого перепада температур. Хранение без упаковки не допускается

**Срок службы.**

Срок службы изделия составляет 5 лет. Не рекомендуется к эксплуатации по истечении 5 лет хранения с даты изготовления без предварительной проверки.

Дата изготовления (код даты) указана на корпусе инструмента.

Код даты, который также включает год изготовления, отштампован на поверхности корпуса изделия.

Пример:

2014 46 XX, где 2014 –год изготовления, 46-неделя изготовления.

Определить месяц изготовления по указанной неделе изготовления можно согласно приведенной ниже таблице.

Уполномоченное изготовителем юр.лицо:

ООО "Стэнли Блэк энд Деккер", 117485, город Москва, улица Обручева, дом 30/1, строение 2  
 Телефон: + 7 (495) 258-3981, факс: + 7 (495) 258-3984, E-mail: inbox@dewalt.com

Сведения о импортере указаны в сопроводительной документации и/или на упаковке

**Транспортировка.**

Категорически не допускается падение и любые механические воздействия на упаковку при транспортировке.

При разгрузке/погрузке не допускается использование любого вида техники, работающей по принципу зажима упаковки.

**Перечень критических отказов, возможные ошибочные действия персонала.**

Не допускается эксплуатация изделия:

- При появлении дыма из корпуса изделия
- При поврежденном и/или оголенном сетевом кабеле
- при повреждении корпуса изделия, защитного кожуха, рукоятки
- при попадании жидкости в корпус
- при возникновении сильной вибрации
- при возникновении сильного искрения внутри корпуса

**Критерии предельных состояний.**

- При поврежденном и/или оголенном сетевом кабеле
- при повреждении корпуса изделия

Месяц	Январь	евраль	Март	Апрель	Май	июнь	Июль	Август	Сентябрь	Октябрь	Ноябрь	Декабрь	Год производства
Неделя	01	05	09	13	17	22	26	31	35	39	44	48	2016
	02	06	10	14	18	23	27	32	36	40	45	49	
	03	07	11	15	19	24	28	33	37	41	46	50	
	04	08	12	16	20	25	29	34	38	42	47	51	
		09	13	17	21	26	30	35	39	43	48	52	
Неделя					22					44			2017
	01	05	09	13	18	22	26	31	35	39	44	48	
	02	06	10	14	19	23	27	32	36	40	45	49	
	03	07	11	15	20	24	28	33	37	41	46	50	
	04	08	12	16	21	25	29	34	38	42	47	51	
Неделя	05	09	13	17	22	26	30	35	39	43	48	52	2018
							31			44			
	01	05	09	13	18	22	26	31	35	40	44	48	
	02	06	10	14	19	23	27	32	36	41	45	49	
	03	07	11	15	20	24	28	33	37	42	46	50	
Неделя	04	08	12	16	21	25	29	34	38	43	47	51	2019
	05	09	13	17	22	26	30	35	39	44	48	52	
				18			31						
	01	05	09	14	18	22	27	31	35	40	45	48	
	02	06	10	15	19	23	28	32	36	41	46	49	
Неделя	03	07	11	16	20	24	29	33	37	42	47	50	2020
	04	08	12	17	21	25	30	34	38	43	48	51	
	05	09	13	18	22	26	31	35	39	44	48	52	
									40				
	01	05	09	14	18	23	27	31	36	40	44	49	
Неделя	02	06	10	15	19	24	28	32	37	41	45	50	2020
	03	07	11	16	20	25	29	33	38	42	46	51	
	04	08	12	17	21	26	30	34	39	43	47	52	
	05	09	13	18	22	27	31	35	40	44	48	53	
			14					36			49		



**ПРИЗНАЧЕННЯ**

Ваш ударний гайковерт STANLEY SCH121 призначений для виконання робіт, що передбачають закручування гвинтів та гайок. Цей інструмент призначений для професійного використання.

**ВКАЗІВКИ З ТЕХНІКИ БЕЗПЕКИ**

**агальні вказівки щодо безпечної роботи з електричним інструментом**

Наведені нижче визначення описують рівень небезпеки за кожним сигнальним словом. Будь ласка, уважно прочитайте цей посібник та зверніть увагу на наступні знаки.



**УВАГА! Необхідно ретельно ознайомитись із усіма попереджувальними знаками, вказівками щодо безпечної роботи, графічними матеріалами та технічними описами, що додаються до цього електричного інструмента.** Недотримання вказівок щодо безпечної роботи може призвести до ураження електричним струмом, пожежі та/або серйозних травм персоналу.

**Зберігайте всі попереджувальні написи та вказівки щодо безпечної роботи для використання в майбутньому.** Термін «електричний інструмент», що використовується у всіх застережливих написах та вказівках щодо техніки безпеки, представлених нижче, відноситься до електричного інструменту, що працює від мережі (зі шнуром електроживлення) або від акумуляторної батареї (без шнура живлення).

**1. Вказівки з техніки безпеки на робочому місці**

- a. **Утримуйте робоче місце в чистоті і добре освітленим.** Безлад або погане освітлення на робочому місці можуть призвести до нещасного випадку.
- b. **Не працюйте з електроінструментом в місці зберігання вибухонебезпечних матеріалів, наприклад, у присутності легкозаймистих рідин, газів або пилу.** Електричні інструменти створюють іскри, що можуть запалити пил або пари.
- c. **Забороняється перебування дітей та сторонніх осіб поблизу працюючого електричного інструменту.** Ви можете відволіктися і втратити контроль за роботою інструменту.

**2. Електрична безпека**

- a. **Вилка шнура живлення інструмента повинна відповідати мережеві розетці. Забороняється вносити будь-які зміни у вилку шнура живлення. Не використовуйте жодних вилок-перехідників із заземленими (зануленими) електроінструментами.** Відсутність змін у вилках шнурів живлення та відповідність електричних вилок і розеток знижує ризик ураження електричним струмом.
- b. **Не торкайтеся поверхонь заземлених чи занулених предметів, наприклад труб, радіаторів, електроплит або холодильників.** Заземлення чи занулення тіла підвищує ризик ураження електричним струмом.
- c. **Забороняється надавати електричні інструменти впливу дощу чи підвищеної вологості.** При попаданні вологи всередину електричного інструмента підвищується ризик ураження електричним струмом.

- d. **Забороняється пошкоджувати шнур живлення. У жодному разі не використовуйте шнур живлення для перенесення чи зміни положення інструмента; не тягніть за шнур, виймаючи вилку з розетки. Не прокладайте шнур живлення поруч із гарячими предметами, мастилом, гострими краями і рухомими деталями.** Пошкодження й заплутування шнурів живлення підвищує ризик ураження електричним струмом.
- e. **Під час роботи з електричним інструментом за межами приміщень використовуйте відповідний подовжувач.** Використання подовжувача, призначеного для роботи поза приміщеннями, знижує ризик ураження електричним струмом.
- f. **Якщо електричним інструментом необхідно користуватись у вологому місці, слід використовувати пристрій захисного відключення (ПЗВ) електричної мережі.** Використання ПЗВ знижує ризик ураження електричним струмом.

**3. Безпека персоналу**

- a. **Під час роботи з електричним інструментом необхідно бути обачним, слідкувати за виконуваною роботою та керуватися здоровим глуздом.** Забороняється працювати з електричним інструментом у стані втоми чи під впливом наркотиків, алкоголю й лікарських препаратів. Ослаблення уваги навіть на мить може призвести до серйозної травми.
- b. **Використовуйте засоби індивідуального захисту. Завжди користуйтеся засобами захисту очей.** Використання у відповідних умовах засобів індивідуального захисту, наприклад пилозахисної маски, протиковзного захисного взуття, захисної каски або засобів захисту органів слуху, завжди знижує ризик отримання травми.
- c. **Не допускайте ненавмисного вмикання інструмента.** Перш ніж підключити джерело живлення та/або акумулятор, піднімати чи переносити інструмент, переконайтесь, що його вимикач переведено у положення «вимкнено». Якщо тримати палець на вимикачі під час перенесення інструмента чи підключення увімкненого інструмента до мережі, це підвищує ризик нещасного випадку.
- d. **Перш ніж увімкнути електричний інструмент, обов'язково вийміть із нього регульований чи гайковий ключ.** Ключ, залишений ключ на альтернативній деталі інструмента, може призвести до травмування.
- e. **Не намагайтесь дотягнутися до важкодоступних місць.** Завжди міцно тримайтеся на ногах і зберігайте рівновагу під час роботи. Це дозволяє краще контролювати електричний інструмент у непередбачуваних ситуаціях.
- f. **Необхідно використовувати захисний одяг.** Забороняється одягати вільний одяг та прикраси. Волосся та одяг мають знаходитись на безпечній відстані від рухомих деталей інструменту. Вільний одяг, прикраси чи довге волосся можуть бути захоплені рухомими елементами.
- g. **Якщо встановлені пристрої підключення засобів пилословлювання та пилосбірників, необхідно перевіряти, щоб вони були підключені та використовувалися належним чином.** Використання цих пристроїв знижує рівень ризику, пов'язаного з пилом.

- h. Досвід роботи з електричним інструментом та часте його використання не повинні ставати причиною легковажного ставлення до правил безпечної експлуатації чи їх ігнорування.** Легковажне ставлення навіть на частку секунди може призвести до серйозної травми.
- 4. Використання та догляд за електричним інструментом**
- a. Не застосовуйте надмірне зусилля до електричного інструмента. Використовуйте електричний інструмент тільки за призначенням.** Правильно підібраний електроінструмент дозволить виконати роботу краще і безпечніше при швидкості, для якої він був розроблений.
- b. Забороняється використовувати цей електричний інструмент, якщо не вдається ввімкнути чи вимкнути його вимикачем.** Будь-який електричний інструмент, роботою якого неможливо керувати за допомогою вимикача, є небезпечним, і його обов'язково потрібно відремонтувати.
- c. Перш ніж регулювати електричний інструмент, замінювати на ньому приладдя чи класти на зберігання, необхідно витягти вилку живлення з розетки та/або від'єднати від нього акумулятор.** Такий запобіжний захід безпеки знижує ризик ненавмисного увімкнення інструменту.
- d. Зберігайте електричний інструмент, який в даний момент не використовується, в недоступному для дітей місці та не дозволяйте працювати з інструментом особам, які не знайомі з ним або з цими вказівками.** Електричний інструмент є небезпечним в руках ненавченої людини.
- e. Технічне обслуговування електроінструмента та приладдя. Перевіряйте центрування та з'єднання рухомих деталей, наявність пошкоджених деталей та будь-які фактори, які можуть негативно позначитися на роботі електричного інструмента.** У разі виявлення пошкодження електричний інструмент необхідно відремонтувати перед використанням. Багато нещасних випадків трапляється через неналежне технічне обслуговування електричних інструментів.
- f. Ріжучі інструменти мають бути загостреними й чистими.** Підтримуваний у належному робочому стані ріжучий інструмент з гострими лезами менше застряє, ним легше керувати.
- g. Використовуйте електричний інструмент, приладдя, вставні різці і т. п. відповідно до даних вказівок, враховуючи умови експлуатації та роботу, яка має бути виконана.** Використання електричного інструменту не за призначенням може призвести до небезпечної ситуації.
- h. Необхідно забезпечувати відсутність бруду, вологи та залишків оливи та мастила на рукоятках та поверхнях утримання інструменту.** Слизькі рукоятки та поверхні утримання є джерелами небезпеки під час роботи з електричним інструментом та не дозволяють надійно керувати інструментом в нештатних ситуаціях.
- 5. Використання та догляд за акумуляторною батареєю**
- a. Зарядка акумуляторної батареї повинна виконуватися тільки за допомогою того зарядного пристрою, який вказав виробник акумуляторної батареї.** Якщо зарядний пристрій,

який підходить для одного типу акумулятора, використовувати для зарядки акумулятора іншого типу, це може призвести до виникнення пожежонебезпечної ситуації.

- b. Використовуйте електричний інструмент тільки з конкретно зазначеними акумуляторними батареями.** Використання будь-яких інших акумуляторних батарей підвищує ризик травмування та виникнення пожежонебезпечної ситуації.
- c. Якщо акумуляторна батарея не використовується, вона повинна зберігатися окремо від металевих предметів, таких як канцелярські скріпки, монети, ключі, цвяхи, шурупи та інші невеликі металеві предмети, які можуть закоротити клеми батареї.** Коротке замикання акумулятора може призвести до їх вигорання або загорання акумулятора.
- d. В умовах неправильної експлуатації рідкий електроліт може бути викинутий з акумуляторної батареї, тому слід остерігатися контакту з електролітом.** Якщо стався випадковий контакт з рідким електролітом, промийте це місце водою. Якщо рідина потрапила в очі, необхідно також звернутися за медичною допомогою. Контакт з рідиною, викинутою з акумуляторної батареї, може призвести до подразнення або опіків.
- 6. Обслуговування**
- a. Обслуговувати електричний інструмент повинен тільки кваліфікований ремонтний персонал із використанням лише ідентичних запасних частин.** Це забезпечить утримання електричного інструмента у безпечному стані.
- b. Забороняється проводити ремонт пошкоджених акумуляторних батарей.** Ремонт і обслуговування акумуляторних батарей повинен проводити виробник або кваліфіковані працівники авторизованого сервісного центру.

#### **ДОДАТКОВІ ЗАСТЕРЕЖЕННЯ З ТЕХНІКИ БЕЗПЕКИ ПРИ РОБОТІ З ЕЛЕКТРИЧНИМ ІНСТРУМЕНТОМ**



**УВАГА!** Додаткові вказівки щодо безпечної роботи з дрилем/шуруповертком.

- При роботі з ударними дрелями надавайте засоби захисту органів слуху. Вплив шуму може призвести до порушення слуху.
- Використовуйте допоміжні рукоятки, які поставляються разом з інструментом. Втрата управління інструментом може призвести до травмування.
- Під час виконання робіт, коли ріжуча деталь електричного інструменту може стикатися з прихованою електропроводкою, інструмент необхідно тримати за діелектричну поверхню. При контакті ріжучої деталі з проводом під напругою, під напругою можуть потрапити металеві деталі електричного інструменту, внаслідок чого виникає небезпека ураження оператора електричним струмом.
- Під час виконання робіт, коли кріпильна деталь електричного інструменту може стикатися з прихованою електропроводкою, інструмент

### необхідно тримати за діелектричну поверхню.

При контакті кріпильної деталі з проводом під напругою, під напругою можуть потрапити металеві деталі електричного інструменту, внаслідок чого виникає небезпека ураження оператора електричним струмом.

- Для фіксації положення оброблюваної деталі на стійкій основі використовуйте затискачі або інший зручний і практичний спосіб. Якщо тримати деталь руками або притискати її до тіла, вона буде перебувати в незакріпленому положенні, що може призвести до втрати контролю за роботою інструменту.
- Перед виконанням свердління стін, підлог і стель перевіряйте розташування електропроводки і труб.
- Не торкайтеся наконечника свердла дрилі після свердління, оскільки він може бути гарячим.
- Призначення інструменту описане в цій інструкції з експлуатації. Використання будь-якого приладдя і додаткових пристосувань разом з цим інструментом або використання інструменту в цілях, які не рекомендовані в цій інструкції, може призвести до виникнення ризику травмування персоналу та пошкодження майна.



Ваш зарядний пристрій має подвійну ізоляцію, і тому дріт заземлення йому не потрібен. Завжди перевіряйте, щоб мережева напруга відповідала значенню, зазначеному в таблиці з паспортними даними. Ніколи не намагайтеся замінити вилку в блоці зарядного пристрою звичайною мережевою вилкою.

- У разі пошкодження кабелю живлення, щоб уникнути виникнення небезпечних ситуацій, його заміну повинен виконати виробник обладнання або уповноважений сервісний центр STANLEY.

### ВИКОРИСТАННЯ ПОДОВЖУВАЧА

Шнур-подовжувач потрібно використовувати тільки в разі крайньої необхідності. Використовуйте тільки схвалені до застосування подовжувач, який відповідає вхідній потужності цього інструменту (див. розділ «Технічні характеристики»). Мінімальний перетин провідника складає 1 мм<sup>2</sup>; максимальна довжина становить 30 м.

У разі використання кабельної котушки обов'язково розмотувати подовжувач повністю.

### ВАЖЛИВІ ВКАЗІВКИ З ТЕХНІКИ БЕЗПЕКИ ДЛЯ УСІХ ЗАРЯДНИХ ПРИСТРОЇВ

**Збережіть ці інструкції:** Даний посібник містить важливі вказівки щодо безпечної експлуатації зарядних пристроїв SC122.

- Перед використанням зарядного пристрою ознайомтеся з усіма інструкціями та застереженнями щодо зарядного пристрою, акумуляторної батареї та виробу, в якому використовується акумуляторна батарея.

### БЕЗПЕКА ІНШИХ ОСІБ

- Цей інструмент не призначений для використання особами (включаючи дітей) з обмеженими фізичними, сенсорними або розумовими здібностями або особами, у яких відсутній необхідний досвід і знання, крім випадків, коли вони знаходяться під наглядом і отримали належні інструкції по роботі з інструментом від особи, відповідальної за їхню безпеку.
- Щоб діти не гралися з інструментом, вони повинні знаходитися під наглядом.

### Залишковий ризик

Додатковий залишковий ризик може виникнути у випадках використання інструменту, які можуть бути не враховані в перерахованих вказівках щодо безпечної роботи. Який ризик може виникати при неправильному використанні, тривалому використанні та ін.

Навіть при дотриманні всіх відповідних правил техніки безпеки та використанні захисних пристроїв деякий залишковий ризик все ж залишається. Він включає:

- Травми, отримані при торканні обертових і рухомих деталей.
- Травми, отримані при заміні деталей, ножів та приладдя.
- Травми, отримані внаслідок тривалого використання інструменту. При тривалому використанні інструменту необхідно робити регулярні перерви в роботі.
- Погіршення слуху.
- Шкода для здоров'я, викликана вдиханням пилу, яка з'являється під час роботи інструменту (наприклад, при роботі з деревом, особливо з дубом, буком або ДВП).

### ЕЛЕКТРИЧНА БЕЗПЕКА

Електричний мотор розрахований тільки на одну напругу живлення. Завжди перевіряйте, чи напруга акумуляторної батареї відповідає значенню, вказаному в таблиці з паспортними даними. Також перевіряйте, чи напруга мережі живлення відповідає напрузі зарядного пристрою.



**ОБЕРЕЖНО:** Небезпека ураження. Не допускайте потрапляння рідини в зарядний пристрій. Внаслідок такого потрапляння може статися ураження електричним струмом.



**УВАГА:** Небезпека опіків. Щоб зменшити ризик отримання травм, заряджайте лише акумуляторні батареї STANLEY. Інші види батарей можуть спричинити травми і пошкодження.



**УВАГА:** Необхідно слідкувати за дітьми, щоб вони не гралися з приладом.



**ПРИМІТКА:** За певних умов, якщо зарядний пристрій під'єднано до джерела живлення, в зарядному пристрої може статися замикання внаслідок впливу сторонніх матеріалів. Сторонні електропровідні матеріали, такі як, серед іншого, шліфувальний пил, металева тирса, сталева стружка, алюмінієва фольга або будь-яке нашарування дрібних металевих частинок слід вичищувати з знізд зарядного пристрою. Завжди від'єднуйте зарядний пристрій від джерела живлення, коли в його гнізді немає акумулятора. Від'єднуйте зарядний пристрій від мережі перед тим, як приступити до його очищення.

- НЕ намагайтеся зарядити акумуляторну батарею іншими зарядними пристроями, окрім тих, що вказані в цьому посібнику. Зазначені зарядні пристрої та акумулятори спеціально розроблені для сумісної роботи.
- Дані зарядні пристрої не призначені для будь-яких інших цільей, окрім зарядження акумуляторів STANLEY.

Будь-яке інше використання може спричинити ризик виникнення пожежі або ураження електричним струмом.

- Не піддавайте зарядний пристрій впливу дощу або снігу.
- При відключенні зарядного пристрою тягніть за вилку, а не за шнур. Це зменшить ризик пошкодження електричної розетки та шнура.
- Переконайтеся, що шнур розташований таким чином, що на нього не можна наступити, перечепитися через нього або іншим чином вдарити чи пошкодити.
- Не використовуйте подовжувач, якщо цього можна уникнути. Використання неправильного подовжувача може спричинити ризик виникнення пожежі або ураження електричним струмом.
- Не кладіть ніяких предметів на верхню частину зарядного пристрою та не розміщуйте зарядний пристрій на м'якій поверхні, що може блокувати вентиляційні отвори та призвести до надмірного внутрішнього нагріву. Розміщуйте зарядний пристрій у місці, віддаленому від джерела тепла. Зарядний пристрій вентилюється за допомогою отворів у верхній і нижній частинах корпусу.
- Не використовуйте зарядний пристрій із пошкодженим шнуром або штепселем – негайно замінійте їх.
- Не використовуйте зарядний пристрій, якщо йому було завдано сильного удару, якщо пристрій впаав з висоти або був пошкоджений будь-яким іншим способом. Передайте його до авторизованого сервісного центру.
- Не розбирайте зарядний пристрій; в разі потреби в обслуговуванні або ремонті віднесіть його в авторизований сервісний центр. Неправильна повторна збірка може призвести до ураження електричним струмом або пожежі.
- У разі пошкодження шнура живлення він має бути негайно замінений виробником, сервісним представником виробника або відповідним кваліфікованим фахівцем, аби не допустити жодних ризиків.
- Перш ніж здійснювати будь-яку очистку, від'єднайте зарядний пристрій від розетки. Це знизить ризик ураження електричним струмом. Зняття акумуляторної батареї не зменшить цей ризик.
- НІКОЛИ не намагайтеся з'єднати 2 зарядні пристрої.
- Зарядний пристрій призначений для роботи при стандартній електричній напрузі побутової мережі. Не намагайтеся використовувати його при будь-якій іншій напрузі. Це не стосується автомобільного зарядного пристрою.

**Зарядні пристрої**

Зарядний пристрій SC122 може заряджати літій-іонні акумулятори 12 В Max / 10,8 В. Зарядний пристрій не потребує налаштування та створений для максимально зручного використання

**НАКЛЕЙКИ НА ІНСТРУМЕНТІ**

До поверхні інструменту разом з кодом дати прикріплені наступні графічні зображення:



**УВАГА!** Для зниження ризику травмування оператор повинен прочитати цю інструкцію з експлуатації.



Використання для захисту очей



Використання захисту слуху

**друкується на корпусі**

Дата коду, який також включає рік виготовлення, друкується на корпусі.

Приклад:

2017 XX JN

Рік виготовлення

**КОМПЛЕКТ ПОСТАВКИ**

Комплект поставки включає:

- 1 Ударний дріль
- 1 зарядний пристрій
- 2 акумулятори (C2) або 1 акумулятор (C1)
- 1 Інструкцію з експлуатації

**ПРИМІТКА:** В комплект постачання N-моделей акумуляторні батареї і зарядні пристрої не входять.

- Після отримання інструменту перевірте, чи не були пошкоджені сам інструмент, його складові частини та допоміжні пристрої під час перевезення.
- Перед початком експлуатації інструменту знайдіть час для того, щоб прочитати цю інструкцію і зрозуміти особливості роботи з інструментом.

**ОСНОВНІ ВУЗЛИ ІНСТРУМЕНТУ (рис. А)**

1. Тригерний вмикач
2. Кнопка «вперед/назад»
3. Регулятор моменту обертання
4. Селектор перемикання двох діапазонів передачі
5. Патрон (без ключа)
6. Кнопка вивільнення акумулятора
7. Акумулятор
8. Світлодіод для освітлення робочого поля
9. Регулятор режиму роботи

**МОНТАЖ**

**ОБЕРЕЖНО!** Перед виконанням збірки дістаньте акумулятор з інструменту.

**Процедура заряджання (Рис. В)**

1. Перед тим, як вставити акумулятор, приєднайте пристрій (10) до джерела живлення, що відповідає всім вимогам.
2. Вставте в пристрій акумулятор (7). Про початок процесу заряджання акумулятора свідчитиме миготіння червоного світлового індикатора на пристрої.
3. Про повне заряджання акумулятора свідчитиме постійне світіння червоного світлового індикатора. Тепер акумулятор повністю заряджений і може бути використаний у будь-який час; також його можна залишити в зарядному пристрої

**ПРИМІТКА:** Для того, щоб досягти максимальної продуктивності літій-іонних акумуляторів, перед першим їх використанням зарядіть їх повністю.

**Процес заряджання**

В таблиці вказано, яким саме чином пристрій сигналізує про стан акумулятора в процесі його заряджання.

Стан процесу заряджання		SC122
заряджання		зелений індикатор блимає
повністю заряджений		індикатор постійно горить
гарячий/холодний акумулятор		блимає червоний індикатор
акумулятор пошкоджено		червоний індикатор спалахує

### Затримка через перегрів/переохолодження акумуляторної батареї

Зарядний пристрій SC122 має функцію затримки через перегрів/переохолодження. Якщо зарядний пристрій визначає підвищення температури батареї, він автоматично призупиняє процес заряджання до охолодження батареї. Якщо зарядний пристрій визначає зменшення температури батареї, він автоматично призупиняє процес заряджання до нагрівання батареї. Червоний індикатор продовжуватиме блимати, пристрій не зможе розпочати процедуру заряджання. Після того, як акумуляторна батарея охолоне, зарядний пристрій відновить процедуру заряджання.

### Батарея пошкоджена

Зарядний пристрій може визначити слабку або пошкоджену акумуляторну батарею. Червоний світлодіодний індикатор блимає у послідовності, вказаній на рисунку. Якщо ви бачите, що послідовність блимання індикатора свідчить про несправність батареї, заряджати батарею заборонено. Відправте її в сервісний центр або до утилізаційного центру для переробки.

### Електронна система захисту

Будова літій-іонних акумуляторних батарей STANLEY передбачає Електронну систему захисту, яка захищає батареї від перевантаження, перегрівання або глибокого розряджання. Інструмент автоматично вимикається, якщо спрацював пристрій захисного вимикання. В цьому випадку під'єднайте акумуляторну батарею до зарядного пристрою та повністю зарядіть її.

Під час замовлення акумуляторів на заміну вкажіть їх номер за каталогом та характеристики напруги.

Акумулятор, що знаходиться в упаковці, не заряджений повністю. Перед тим, як використовувати акумулятор та пристрій для зарядження, вивчіть інструкції, наведені нижче. Після цього виконайте вказівки щодо процедури зарядження акумулятора.

### ВИВЧИТЬ ІНСТРУКЦІЇ

- Не заряджайте та не використовуйте акумулятор у вибухонебезпечному середовищі, наприклад, поруч із займистими рідинами, в атмосфері займистого газу або за наявності займистого пилу. В цих умовах вставлення акумулятора в пристрій для зарядження або виймання його з такого пристрою може привести до займання пилу або випарів.

- Не застосовуйте силу під час вставлення акумулятора в пристрій для зарядження. Не змінюйте тим чи іншим чином конструкцію акумулятора для того, щоб він підходив до пристрою для зарядження, який не розрахований на його використання; це може призвести до поломки акумулятора і, внаслідок цього, до серйозних травм оператора.

- Заряджайте акумулятори тільки за допомогою зарядних пристроїв виробництва компанії «СТЕНЛІ».

- НЕ ДОПУСКАЙТЕ потрапляння води та інших рідин на акумулятор та пристрій для його зарядження та не занурюйте їх в ці рідини.

- Не зберігайте та не використовуйте акумулятори та пристрої для їх зарядження в місцях, де температура може бути більшою за 40 °C (105 °F), напр., біля гаражів чи інших металевих будівель в сонячну погоду).

**ЗАСТЕРЕЖЕННЯ:** Ні за яких умов не розбирайте акумулятор. Якщо корпус акумулятора має тріщини або інші пошкодження, не вставляйте його в пристрій для зарядження. Не робіть ударів по корпусу акумулятора, не роняйте його та не пошкоджуйте. Не використовуйте акумулятор або пристрій для його зарядження, якщо по них чимось вдарили, якщо вони падали чи на них падав важкий предмет, або якщо вони були пошкоджені іншим чином (напр., були пробиті цвяхом, по них вдарили молотком, наступили на них тощо). Наслідком може бути ураження електричним струмом або загибель оператора. Акумулятор, що вийшов з ладу, слід надіслати до сервісного центру для утилізації.

**ПОПЕРЕДЖЕННЯ:** Якщо виробі не використовують, тримайте їх у відведеному для цього місці (на стабільній поверхні, на якій вони не будуть переміщуватись та з якої не впадуть). Зауважте, що деякі інструменти з акумулятором великих розмірів, які можна поставити вертикально на акумулятор, можуть легко перекинутись.

- Не утилізуйте акумулятор шляхом його спалювання, навіть якщо він був серйозно пошкоджений або повністю вийшов з ладу. Такий акумулятор може вибухнути у вогні.

Під час спалювання літій-іонних акумуляторів утворюються шкідливі леткі продукти згорання.

- Якщо матеріал, що знаходився всередині акумулятора, потрапив на шкіру, терміново промийте уражену ділянку шкіри рідким миючим засобом та водою. Якщо рідина з акумулятора потрапила в око, промивайте відкрите око водою упродовж 15 хвилин або до припинення відчуття "жару". Інформація для медиків: електроліт акумулятора містить суміш рідких органічних сполук-карбонатів та солі літію.

- Речовини, що знаходяться всередині акумулятора, можуть викликати подразнення респіраторних шляхів. Виведіть постраждалого на свіже повітря. Якщо симптоми не зникли, зверніться по медичну допомогу.



**ЗАСТЕРЕЖЕННЯ:** Небезпека виникнення пожежі. Рідина, що міститься в акумуляторі, може зайнятися під дією іскри або вогню.

## Перевезення

Акумулятори виробництва компанії «СТЕНЛІ» задовольняють вимогам всіх нормативних актів та чинних стандартів, які використовують в галузі транспортування, в тому числі «Рекомендацій ООН щодо перевезення небезпечних вантажів», «Положень IATA (International Air Transport Association, Міжнародна асоціація повітряного транспорту) щодо небезпечних вантажів», «Міжнародних положень щодо перевезень небезпечних вантажів морем (IMDG)», а також Європейської угоди щодо міжнародних перевезень небезпечних вантажів шляхами (ADR). Літій-іонні батареї та акумулятори пройшли перевірку відповідно до п. 38.3 «Настанов щодо випробувань та критеріїв оцінювання їх результатів на відповідність вимогам Рекомендацій ООН щодо перевезення небезпечних вантажів».

В більшості випадків перевезення акумуляторів виробництва компанії «СТЕНЛІ» не підпадає під визначення «небезпечні матеріали класу 9, що знаходяться під повним контролем». Загалом, існують два випадки, коли перевезення має здійснюватись згідно з вимогами для матеріалів класу 9:

1. перевезення авіатранспортом більш ніж двох літій-іонних акумуляторів виробництва компанії «СТЕНЛІ», якщо упаковка містить тільки акумулятори (без інструментів), а також
2. перевезення будь-якого вантажу, що містить літій-іонний акумулятор потужністю більше 100 Вт-год. Потужність кожного літій-іонного акумулятора (у Вт-год) вказана на упаковці.

Незалежно від того, підпадає вантаж під визначення "під повним контролем" чи ні, відправник несе повну відповідальність за виконання вимог чинних нормативних актів стосовно пакування вантажу, його маркування та підготовку товаросупровідних документів.

Під час перевезення акумуляторів контакт їх виводів з матеріалами, що проводять струм, може призвести до виникнення пожежі. Тому, під час перевезення акумуляторів, впевніться в тому, що їх виводи захищені та належним чином ізольовані від матеріалів, контакт з якими може призводити до короткого замикання.

Інформація цього розділу представлена належним чином, і, як ми вважаємо, адекватна на момент створення цього документу. В той же час вона не являє собою гарантійні зобов'язання, надані явно або опосередковано. Покупець несе відповідальність за те, щоб його діяльність відповідала вимогам нормативних актів, які мають відношення до теми, про яку йде мова.

## Акумулятор

### Тип акумулятора

Інструмент SCH121 використовують з акумулятором, що створює напругу 12 В.

## Рекомендації щодо зберігання

1. Оптимальним є зберігання в сухому прохолодному місці, захищеному від дії прямого сонячного світла, в якому не допускається виникнення ситуації, коли температура може стати надто великою або надто низькою. Для того, щоби продуктивність акумулятора та термін його експлуатації були оптимальними, зберігати їх, якщо вони не використовуються, краще за кімнатної температури.
2. Якщо очікується, що термін зберігання буде значний, краще зберігати акумулятор в сухому прохолодному місці (але не в пристрої для заряджання) повністю зарядженим.

**ПРИМІТКА:** Не слід зберігати акумулятор повністю розрядженим. Перед використання акумулятор треба буде перезарядити.

## Позначки на пристрої для заряджання та на акумуляторі

Окрім позначок, які вже наводилися в цьому документі, на акумуляторі або на пристрої для його заряджання Ви можете зустріти наступні піктограми:



Прочитати інструкцію перед використанням



Час заряджання вказаний в розділі «Технічні характеристики»



Акумулятор заряджається



Акумулятор заряджений



Акумулятор пошкоджено



Відстрочення заряджання для надто холодного/гарячого акумулятора



Не торкатися предметами, які проводять електричний струм



Не заряджати пошкоджені акумулятори



Не допускати потрапляння води



Пошкоджено кабель живлення – його слід відразу замінити



Заряджати тільки за температури від 4 °C до 40 °C



Призначений для використання всередині приміщення



Під час утилізації акумулятора враховуйте вимоги щодо охорони оточуючого середовища.

Li-Ion



Заряджайте акумулятори тільки за допомогою зарядних пристроїв, на яких позначено, що вони вироблені компанією «СТЕНЛ». Використання інших пристроїв може призвести до пожежі або виникнення небезпечної ситуації іншого типу.



Не утилізуйте акумулятори шляхом їх спалювання.

## Збирання та налаштування інструменту



**ЗАСТЕРЕЖЕННЯ:** Використовуйте тільки акумулятори та зарядні пристрої виробництва компанії «СТЕНЛ».

## Як приєднувати акумулятор до інструменту та від'єднувати його.



**ЗАСТЕРЕЖЕННЯ:** Для того, щоб зменшити ризик отримання серйозної травми, перед налаштуванням інструменту та змінення/приєднання певних його частин переведіть кнопку «вперед-назад» у положення «заблоковано» або переверніть інструмент та від'єднайте акумулятор. Неочікуване включення інструменту може призводити до отримання травм.



**ПРИМІТКА:** Впевніться в тому, що акумулятор (7) повністю заряджений.

## Приєднання акумулятора до рукоятки інструменту

1. Поставте акумулятор на направляючі, що знаходяться всередині рукоятки.
2. Посуньте акумулятор вперед до упору; коли він стане на місце, Ви повинні почути характерне клацання.

## Від'єднання акумулятора від інструменту

1. Натисніть кнопку вивільнення акумулятора (6) та з силою витягніть акумулятор з рукоятки інструменту.
2. В зарядний пристрій акумулятор вставляйте так, як то описано у відповідному розділі цього документу.

## ІНСТРУКЦІЇ З ВИКОРИСТАННЯ

### Правильне положення рук (рис. А, Н)



**УВАГА:** Щоб зменшити ризик отримання серйозної травми, ЗАВЖДИ правильно розташовуйте руки щодо інструмента.



**УВАГА:** Щоб зменшити ризик отримання серйозної травми, ЗАВЖДИ займайте правильне стійке положення.

Правильне положення рук на інструменті припускає завжди тримати одну руку на основній рукоятці інструменту (9)

### Вибір напрямку обертання (Рис. D)

Для затягування слід встановити напрям напрямку обертання вперед (за годинниковою стрілкою). Для

послаблення слід встановити напрямку обертання назад (проти годинникової стрілки).

- Щоб вибрати прямий напрямку обертання, посуňte рухомий перемикач прямого/зворотного напрямку обертання (2) ліво.
- Щоб вибрати зворотний напрямку обертання, посуňte рухомий перемикач прямого/зворотного напрямку обертання вправо.
- Щоб заблокувати інструмент, встановіть рухомий перемикач прямого/зворотного напрямку обертання в центральне положення.
- Під час зміни положення перемикача напрямку обертання необхідно, щоб пусковий вимикач був відпущений.

### Клавіша включення / виключення (рис. А)

Щоб включити інструмент потрібно натиснути на вимикач (1). Для виключення інструменту, відпустіть перемикач запуску. Ваш інструмент оснащений гальмом. Патрон зупиниться, коли перемикач запуску повністю відпустити.

Регулювання швидкості клавішею включення / вимикання дозволяє вибрати оптимальну швидкість для конкретного використання. Чим сильніше ви натискаєте клавішу включення / виключення, тим швидше швидкість роботи інструменту. Для максимального терміну служби інструменту, використовуйте змінну швидкість тільки для пуску операції свердління або загортання.

**ПРИМІТКА:** Безперервне використання змінної швидкості не рекомендується. Це може призвести до пошкодження перемикача і цього слід уникати.

### Клавіша управління реверсом (рис. А)

Кнопка «вперед-назад» (2) визначає напрямку обертання, і також має функцію блокування інструменту.

Для того, щоб вибрати напрямку обертання «вперед», відпустіть тригерний вмикач і натисніть ту частину кнопки «вперед-назад», що знаходиться з правого боку інструменту.

Для того, щоб вибрати напрямку обертання «назад», натисніть ту частину кнопки «вперед-назад», що знаходиться з лівого боку інструменту.

Центральне положення кнопки забезпечує блокування інструменту (блокування можливе, коли інструмент відключений). Зміна положення кнопки «вперед-назад» можлива, якщо тригерний вмикач вивільнено.

**ПРИМІТКА:** Спочатку при використанні інструменту після зміни напрямку обертання, ви можете почути клацання при запуску. Це нормально і не вказує на проблему.

### Світлодіод для освітлення робочого поля

Світлодіодне підсвічування (8) розташоване під муфтою регулювання крутного моменту (3). Підсвічування активується, коли клавіша включення / виключення знаходиться в натиснутому стані

**Примітка:** Світлодіод призначений для освітлення робочого поля і не повинен використовуватись як сигнальний.

## Муфта регулювання крутного моменту (рис. А, D)

Муфта регулювання крутного моменту (3) має нанесені точні показники з числами і положенням для свердління. Муфта повинна бути встановлена в необхідному положенні відповідно позначки на верхній частині корпусу інструменту. Числові значення нанесені на муфту з метою точної установки крутного моменту. Чим вище значення числа на муфті, тим відповідно вище буде зусилля крутного моменту. Для установки інструменту в режим свердління, встановіть муфту у відповідне положення.

**ПРИМІТКА:** при використанні дрилі / шурупверта в режимі свердління, переконайтеся, що муфта регулювання крутного моменту встановлена в положення відповідно до малюнку свердла на ній і збігається з відміткою на верхній частині корпусу інструменту. Данна дія дозволить уникнути ковзання при свердлінні.

## Перемикач двох діапазонів передач (рис. А, d)

Функція перемикач двох діапазонів передач дрילה розширює діапазон робочих налаштувань інструменту.

Щоб вибрати низьку швидкість, високе значення крутного моменту, вимкніть інструмент і дозволяють зупинитися. Слайд важіль перемикач передач (4) вперед (в сторону патрона). Щоб вибрати високу швидкість, низький момент затягування, вимкніть інструмент і дозволяють зупинитися. Слайд важіль перемикач передач назад (від патрона).

**Примітка:** Не перемикайте передачу, коли інструмент працює. Якщо виникли проблеми з перемикач передач, перевірте, чи зміщена кнопка перемикача в той чи інший бік до упору.

## Світлодіод для освітлення робочого поля

Світлодіодне підсвічування (8) розташоване під муфтою регулювання крутного моменту (3). Підсвічування активується, коли клавіша включення / виключення знаходиться в натиснутому стані

**Примітка:** Світлодіод призначений для освітлення робочого поля і не повинен використовуватись як сигнальний.

## Патрон без ключа (рис. E)

Ваш інструмент оснащений швидкозажимним патроном, який дозволяє провести зміну аксесуарів однією рукою. Щоб замінити свердло або аксесуар, виконайте такі дії:

1. Зафіксуйте клавішу пуску у вимкненому положення, як описано вище.
2. Візьміться за чорний корпус Патрон з одного боку, і поверніть надійно тримаючи інструмент іншою рукою. Повертайте патрон проти годинникової стрілки досить довго, щоб встановити необхідну приналежність.
3. Встановіть приналежність з посадкою 19 мм (3/4 ") в патрон і надійно затягніть, обертаючи за годинниковою стрілкою патрон рукою з одного боку, надійно утримуючи інструмент другою рукою. Ваш

інструмент оснащений автоматичним механізмом блокування шпинделя. Це дозволяє відкривати і закривати патрон однією рукою. Щоб звільнити аксесуар, повторіть крок 2 вище.

**УВАГА:** Не намагайтеся закріпити свердло (або будь-який інший аксесуар), взявшись за передню частину патрона і повертаючи інструмент. Це може призвести до пошкодження патрона і отриманню травми. Завжди блокуйте пускову кнопку при заміні аксесуарів і приладдя.

Обов'язково при затягуванні патрона однією рукою, другою рукою щільно притримуйте інструмент і знаходиться в стійкому становище.

## Зняття патрона (рис. F)

Встановіть муфту в положення свердління, а перемикач швидкостей у положення 1 (низька швидкість). Зафіксуйте патрон на короткому кінці шестигранного ключа (не входить в комплект поставки) 6,35 мм (1/4 ") або більшого розміру. Використовуючи дерев'яну киянку або аналогічний інструмент вдарте по довгому кінцю ключа в бік обертання годинникової стрілки, як показано нижче. Ця дія послабить гвинт всередині патрона.

Відкрийте "губки" патрона повністю і вставте викрутку (або будь-який інструмент з роз'ємом TORX у разі необхідності) в передній частині патрона між "губками", щоб зафіксувати головку гвинта. Відкрутіть гвинт за годинниковою стрілкою (лівостороння різьба). Після цього повторно зафіксуйте патрон на короткому кінці шестигранного ключа (не входить в комплект поставки) 6,35 мм (1/4 ") або більшого розміру. Використовуючи дерев'яну киянку або аналогічний інструмент вдарте по довгому кінцю ключа в бік обертання годинникової стрілки. Це дозволить послабити патрон так, щоб його можна було від'єднати вручну.

## Установка патрона (рис. G)

Наживите несущий гвинт патрона вручну наскільки можливо (лівостороння різьба). Затягніть гвинт. Зафіксуйте патрон на короткому кінці шестигранного ключа (не входить в комплект поставки) 6,35 мм (1/4 ") або більшого розміру. Використовуючи дерев'яну киянку або аналогічний інструмент вдарте по довгому кінцю ключа проти обертання годинникової стрілки.

## ДІЇ З ДРИЛЕМ.

**УВАГА:** Щоб виключити ризик отримання серйозної травми, вимкніть інструмент та від'єднайте його від джерела живлення, перш ніж робити які-небудь дії з інструментом по установці / зняттю приладдя.

**УВАГА:** Щоб виключити ризик отримання серйозної травми, ЗАВЖДИ міцно закріплюйте заготовку з якою ви працюєте. При свердлінні тонкого матеріалу, використовуйте дерев'яний блок "підкладку", щоб уникнути шкідливих наслідків для матеріалів і робочих поверхонь.

Встановіть муфту регулювання в положення свердління. Виберіть необхідний діапазон швидкості / крутного моменту за допомогою регулювальної муфти, за допомогою клавіші перемикач, щоб домогтися відповідних показників для планованої роботи.



- Використовуйте тільки гострі свердла. Для деревени, використовуйте спіральні свердла, біти лопати або коронки. Для металевих, використовуйте високошвидкісні сталеві (HSS) спіральні свердла або отвір пилки.

Завжди застосовуйте не сильне натискання по прямій лінії. Використовуйте достатній тиск, щоб інструмент не зісковзував, але в той же час не використовуйте занадто сильне натискання, яке призводить до гальмування двигуна.

Тримайте інструмент під час роботи двома руками перебуваючи в стійкому положення, щоб контролювати роботу.



**УВАГА:** свердло може зупинитися при занадто сильному навантаженні, викликаючи тим самим несподіваний "ривок" інструмента. Завжди чекайте такої можливості. Міцно тримайте інструмент двома руками, щоб уникнути травм.

- якщо інструмент зупиняється, це є наслідком перевантаження або неправильного використання. негайно відпустіть пускову кнопку, видаліть свердло з робочої зони і визначте причину зупинки. Не натискайте пускову кнопку повторно у спробі продовжити роботу відразу після зупинки свердла - це може пошкодити інструмент.
- Щоб зменшити ризик розтягування або розриву матеріалу, зменшіть тиск на інструмент і намагайтесь закінчити роботу на малій швидкості.
- При вилученні свердла з отвору, включайте реверсне обертання для уникнення заклинювання свердла.
- При наявності регульованої швидкості немає необхідності використовувати керн для засвердлювання. Використовуйте малу швидкість, щоб почати свердління і збільшуйте швидкість по мірі засвердлювання глибше.

### Робота ударного дреля (рис. D)

1. Поверніть регулятор (9) у положення ударного дреля.
2. Виберіть настройки великої кількості обертів, зсунувши перемикач вперед (в сторону затискного патрону). Важливо: Використовуйте свердла тільки з твердосплавним наконечником або з тонкостінною алмазною коронкою.
3. Під час свердління прикладайте рівно стільки зусиль, скільки необхідно для уникнення надмірної віддачі інструмента або «відриву» свердла від матеріалу. Завелике зусилля призведе до зменшення кількості обертів, перегріву інструмента і зниження продуктивності свердління.
4. Свердлити необхідно перпендикулярно до робочої поверхні. Не прикладайте бічне зусилля до свердла під час свердління, оскільки це призведе до засмічення канавок свердла і уповільнення свердління.

5. Якщо під час свердління глибоких отворів швидкість ударного дреля починає падати, не вимикаючи інструмент частково витягніть свердло з отвору, щоб видалити з нього відходи свердління.

**ПРИМІТКА:** Плавний і рівномірний потік пилу з отвору вказує на правильно обрану швидкість свердління.

### Роботи в режимі шуруповерта

Виберіть необхідний діапазон швидкості / крутного моменту за допомогою подвійної настройки муфти крутного моменту і швидкості для запланованої операції. Вставте необхідний аксесуар в патрон, як і будь яке свердло. Зробіть кілька пробних обертів для зразку щоб визначити оптимальний крутний момент при застосуванні у вашій роботі.

### МАКСИМАЛЬНО РЕКОМЕНДОВАНІ РОЗМІРИ

	Низька швидкість - 1	Висока швидкість - 2
Біти, свердління металу	6.00 mm	3.00 mm
Деревина, спіральні свердла	19.00 mm	12.00 mm
Ціфенбори	19.00 mm	16.00 mm
Цегляне мурування		8.00 mm

### ТЕХНІЧНЕ ОБСЛУГОВУВАННЯ

Конструкція інструмента STANLEY розрахована на роботу протягом тривалого періоду часу з мінімальним технічним обслуговуванням. Належний догляд і регулярне чищення – запорука тривалої задовільної роботи інструмента.

Крім періодичної очистки, ваш зарядний пристрій не вимагає інших операцій технічного обслуговування.

**УВАГА!** Перед виконанням будь-яких дій з технічного обслуговування інструменту, дістаньте з нього акумуляторну батарею. Перед проведенням очищення зарядного пристрою вийміть його штепсельну вилку з розетки.

- Регулярно очищуйте вентиляційні прорізи в інструменті і зарядному пристрої за допомогою м'якої щітки або сухої тканини.
- Регулярно очищуйте корпус двигуна за допомогою вологої тканини. Не використовуйте для очищення абразивні матеріали та засоби очищення на основі розчинників.
- Регулярно розкривайте і вибивайте затискний патрон для видалення пилу з його внутрішньої частини.

### СМАЗКА



Ваш інструмент не потребує додаткового мастила.



## Чистка



**УВАГА:** прочитайте бруд і пил з основного корпусу сухим повітрям так часто, як бачите скопчення бруду всередині і навколо вентиляційних отворів. Одягайте засіб захисту для очей і респіратор при виконанні цієї процедури.



**УВАГА:** Ніколи не використовуйте розчинники або інші агресивні хімічні речовини для очищення неметалевих деталей інструменту. Ці хімічні речовини можуть

послабити матеріал, що використовуються в цих частинах. Використовуйте тканину, змочену у воді з м'яким милом. Ніколи не допускайте попадання рідини всередину інструменту; ніколи не опускайте яку-небудь частину інструменту в рідину.

Інструкції з чищення Зарядного пристрою



**УВАГА:** Небезпека ураження електричним струмом. Від'єднайте зарядний пристрій від розетки перед очищенням. Бруд і масло можна видаляти із зовнішньої частини зарядного пристрою, використовуючи тканину або м'яку неметалеву щітку. Не використовуйте воду або чистячі розчини.

## ЗАХИСТ НАВКОЛИШНЬОГО СЕРЕДОВИЩА

Окреме збирання. Цей продукт не можна викидати разом зі звичайним побутовим сміттям.

Якщо якимось ви вирішите, що ваш виріб фірми STANLEY має бути замінено, або він вам більше не потрібний, не викидайте його на смітник побутового сміття. Зробіть цей виріб доступним для спеціального збирання.

Компанія STANLEY має можливість для збору та переробки продуктів власного виробництва після закінчення їхнього терміну служби. Щоб скористатися цією послугою, поверніть виріб компанії в офіційний сервісний центр, які збирають відпрацьовані продукти за наш рахунок.

Ви можете знайти місцезнаходження найближчого до Вас сервісного центру, зв'язавшись з місцевим офісом компанії STANLEY за адресою, вказаною в цих інструкціях. Крім того, список офіційних сервісних центрів компанії STANLEY з усіма подробицями нашого післяпродажного обслуговування та контактною інформацією міститься в Інтернеті за адресою: [www.2helpU.com](http://www.2helpU.com)

## Акумулятори

Акумулятори, вироблені компанією «СТЕНЛІ» є виробами багаторазового використання. Після того, як термін використання акумулятору закінчився, утилізуйте його з урахуванням вимог щодо охорони оточуючого середовища:

- Повністю розрядіть акумулятор та від'єднайте його від інструменту.
- Нікель-кадмієві, нікель-металгібридні та літій-іонні акумулятори можуть направлятися на переробку. Передавайте їх уповноваженим службам за ремонту або на місцеві пункти переробки.

## ПРИМІТКА

Одним із принципів політики STANLEY є постійне вдосконалення наших продуктів, тому ми залишаємо за собою право змінювати характеристики наших продуктів без попереднього сповіщення. Перелік стандартного та додаткового обладнання може різнитися в залежності від країни. Технічні характеристики продукту в різних країнах можуть відрізнятися. Повна лінійка продуктів може бути в наявності не у всіх країнах. З питання наявності наших продуктів зверніться до дилерів STANLEY

## ІНФОРМАЦІЯ СТОСОВНО ОБСЛУГОВУВАННЯ

Компанія «СТЕНЛІ» має мережу власних сервісних центрів та уповноважених органів з обслуговування інструментів. Всі сервісні організації компанії «СТЕНЛІ» укомплектовані кваліфікованим персоналом, який надає покупцям послуги з ефективного та надійного обслуговування електроінструменту. Для того, щоб отримати додаткову інформацію про наші уповноважені сервісні центри, а також, якщо Вам потрібна порада з технічних питань, ремонт або виготовлені нашою компанією запасні частини, зв'яжіться з найближчим представництвом компанії «СТЕНЛІ».

## ТЕХНІЧНІ ДАНІ

<b>SCH121</b>		
Напруга	V <sub>пост. Струму</sub>	12V Max
Швидкість обертання в режимі без навантаження	xв <sup>-1</sup>	0-400/0-1500
Частота ударів	xв <sup>-1</sup>	0-6000/0-22500
Макс. Крутильний момент		
Найбільший діаметр свердла, яке можна затиснути у патроні	Нм мм	26 10
<b>Максимальна місткість буріння:</b>		
Деревина	мм	20
Метал	мм	10
бетоні	мм	8

**Зарядний пристрій****SC122**

Вхідна напруга	$V_{\text{змінн. Струм}}$	220-240
Вихідна напруга	$V_{\text{пост. Струм}}$	22
Струм	A	1.25

**Акумулятор****SB12**

Напруга	$V_{\text{пост. Струм}}$	12V
Ємкість	$A_{\text{мпер-годин}}$	1.5
Тип		Li-Ion

## KULLANIM AMACI

STANLEY SCH121 Li-Ion darbeli matkap/tornavidanız hafif vida takma/sökme ve delme işlemleri için tasarlanmıştır. Bu alet profesyonel kullanım içindir.

## GÜVENLİK TALİMATLARI

### Genel elektrikli alet güvenlik uyarıları



**UYARI! Bu elektrikli alet ile verilen tüm güvenlik uyarıları, talimatlar, resimli açıklamalar ve teknik özellikleri okuyun.** Aşağıda belirtilen tüm talimatların herhangi birisine uyulmaması elektrik çarpması, yangın ve/veya ciddi yaralanma riskine neden olabilir.

**Bütün uyarı ve güvenlik talimatlarını ileride bakmak üzere saklayın.** Aşağıda yer alan uyarılardaki «elektrikli alet» terimi şebeke elektrigiyle (kablolu) veya akü/pille (şarjlı) çalışan elektrikli aletinizi ifade etmektedir.

### 1. Çalışma alanının güvenliği

- Çalışma alanını temiz ve aydınlık tutun.** Karışık veya karanlık alanlar kazaya davetiye çıkarır.
- Elektrikli aletleri, yanıcı sıvılar, gazlar ve tozların bulunduğu yerler gibi yanıcı ortamlarda çalıştırmayın.** Elektrikli aletler, toz veya dumanları ateşleyebilecek kıvılcımlar çıkarır.
- Bir elektrikli aleti çalıştırırken çocuklardan ve etraftaki kişilerden uzak tutun.** Dikkatinizi dağıtıcı şeyler kontrolü kaybetmenize neden olabilir.

### 2. Elektrik güvenliği

- Elektrikli aletlerin fişleri prizlere uygun olmalıdır.** Fiş üzerinde kesinlikle hiçbir değişiklik yapmayın. Topraklı elektrikli aletlerde hiçbir adaptör fişi kullanmayın. Değiştirilmemiş fişler ve uygun prizler elektrik çarpması riskini azaltacaktır.
- Borular, radyatörler, ocaklar ve buzdolapları gibi topraklanmamış yüzeylerle vücut temasından kaçının.** Vücudunuzun topraklanması halinde yüksek bir elektrik çarpması riski vardır.
- Elektrikli aletleri yağmura maruz bırakmayın veya ıslatmayın.** Elektrikli alete su girmesi elektrik çarpması riskini arttıracaktır.
- Elektrik kablosunu uygun olmayan amaçlarla kullanmayın.** Elektrikli aleti kesinlikle kablosundan tutarak taşımayın, çekmeyin veya prizden çıkartmayın. Kabloyu sıcaktan, yağdan, keskin kenarlardan veya hareketli parçalardan uzak tutun. Hasarlı veya dolaşmış kablolar elektrik çarpması riskini artırır.
- Elektrikli bir aleti açık havada çalıştırıyorsanız, açık havada kullanıma uygun bir uzatma kablosu kullanın.** Açık havada kullanıma uygun bir kablonun kullanılması elektrik çarpması riskini azaltır.
- Eğer bir elektrikli aletin nemli bir bölgede çalıştırılması zorunluysa, bir artık akım aygıtı (RCD) korumalı bir kaynak kullanın.** Bir RCD kullanılması elektrik şoku riskini azaltır.

### 3. Kişisel güvenlik

- Elektrikli bir aleti kullanırken her zaman dikkatli olun, yaptığınız işe yoğunlaşın ve sağduyulu davranın.** Elektrikli bir aleti yorgunken veya ilaç ya da alkolün etkisi altındayken kullanmayın. Elektrikli aletleri

kullanırken bir anlık dikkatsizlik ciddi kişisel yaralanmayla sonuçlanabilir.

- Kişisel koruyucu ekipmanları mutlaka kullanın. Daima koruyucu gözlük takın.** Koşullara uygun toz maskesi, kaymayan güvenli ayakkabıları, baret veya kulaklık gibi koruyucu donanımların kullanılması kişisel yaralanmaları azaltacaktır.
- İstem dışı çalıştırılmasını önleyin. Aleti güç kaynağına ve/veya aküye bağlamadan, yerden kaldırmadan veya taşımadan önce açma/kapama düğmesinin kapalı konumda olduğundan emin olun.** Aleti, parmağınız tetik üzerinde bulunacak şekilde taşımak veya açık konumdaki elektrikli aletleri elektrik şebekesine bağlamak kazaya davetiye çıkarır.
- Elektrikli aleti açmadan önce tüm ayarlama anahtarlarını çıkartın.** Elektrikli aletin hareketli bir parçasına takılı kalmış bir anahtar kişisel yaralanmaya neden olabilir.
- Ulaşmakta zorlandığınız yerlerde kullanmayın. Daima sağlam ve dengeli basın.** Bu, beklenmedik durumlarda elektrikli aletin daha iyi kontrol edilmesine olanak tanır.
- Uygun şekilde giyinin. Bol elbiseler giymeyin ve takı takmayın. Saçınızı ve elbiselerinizi hareketli parçalardan uzak tutun.** Bol elbiseler ve takılar veya uzun saç hareketli parçalara takılabilir.
- Eğer kullandığınız üründe toz emme ve toplama özellikleri olan ataşmanlar varsa bunların bağlı olduğundan ve doğru şekilde kullanıldığında emin olun.** Bu toz toplama ataşmanların kullanılması tozla ilgili tehlikeleri azaltabilir.
- Aletlerin sık kullanımından edindiğiniz aşinalığın sizi dikkatsiz kılmasına ve alet güvenli prensiplerini önemsememeye izin vermeyin.** Dikkatsiz bir eylem, bir saniyeden daha az sürede ciddi yaralanmalara neden olabilir.

### 4. Elektrikli aletlerin kullanımı ve bakımı

- Elektrikli aleti zorlamayın. Uygulamanız için doğru elektrikli aleti kullanın.** Doğru elektrikli alet, belirlendiği kapasite ayarında kullanıldığında daha iyi ve güvenli çalışacaktır.
- Tetik açmıyor ve kapatmıyorsa elektrikli aleti kullanmayın.** Tetikle kontrol edilemeyen tüm elektrikli aletler tehlikelidir ve tamir edilmesi gerekmektedir.
- Herhangi bir ayarlama, aksesuar değişimi veya elektrikli aletlerin saklanması öncesinde fişi güç kaynağından çekin ve/veya aküyü elektrikli aletten ayırın.** Bu tür önleyici güvenlik tedbirleri aletin istem dışı olarak çalıştırılması riskini azaltacaktır.
- Elektrikli aleti, çocukların ulaşamayacağı yerlerde saklayın ve elektrikli aleti tanımayan veya bu talimatları bilmeyen kişilerin elektrikli aleti kullanmasına izin vermeyin.** Elektrikli aletler, eğitimsiz kullanıcıların elinde tehlikelidir.
- Elektrikli aletleri ve aksesuarları iyi durumda muhafaza edin.** Hareketli parçalardaki hizalama hatalarını ve tutuklukları, parçalardaki kırılmalar ve elektrikli aletin çalışmasını etkileyebilecek tüm diğer koşulları kontrol edin. Hasarlı ise, elektrikli aleti kullanmadan önce tamir ettirin. Kazaların çoğu, elektrikli aletlerin bakıyapılmamasından kaynaklanır.

- f. **Kesim aletlerini keskin ve temiz tutun.** Bakımı uygun şekilde yapılmış keskin kesim uçlu kesim aletlerinin sıkışma ihtimali daha düşüktür ve kontrol edilmesi daha kolaydır.
- g. **Elektrikli aleti, aksesuarlarını ve aletin diğer parçalarını kullanırken bu talimatlara mutlaka uyun ve çalışma ortamının koşullarını ve yapılacak işin ne olduğunu göz önünde bulundurun.** Elektrikli aletin öngörülen işlemler dışındaki işlemler için kullanılması tehlikeli durumlara neden olabilir.
- h. **Kolları ve kavrama yüzeylerini kuru, yağsız ve gressiz tutun.** Kaygan kollar ve kavrama yüzeyleri, beklenmeyen durumlarda aletin güvenli bir şekilde taşınması ve kontrol edilmesine izin vermez.

#### 5. Akü/pille çalışan aletin kullanımı ve bakımı

- a. **Sadece üretici tarafından belirtilen şarj cihazı ile şarj edin.** Bir akü tipine uygun bir şarj cihazı başka tipte bir aküyü şarj etmek için kullanıldığında yangın riski yaratabilir.
- b. **Elektrikli aletleri yalnızca özel olarak tanımlanmış akülerle kullanın.** Başka bir akünün kullanılması yaralanma veya yangın riskine yol açabilir.
- c. **Akü kullanımda değilken, ataç, bozuk para, anahtar, çivi, vida veya terminaler arasında kontakta neden olabilecek diğer küçük metal nesnelere uzak tutulmalıdır.** Akü terminalerinin birbirine kısa devre yapılması yanıklara veya yangına neden olabilir.
- d. **Sıra dışı koşullarda sıvı aküden dışarı akabilir, temas kaçının.** Yanlışlıkla cilde temas edilirse su ile yıkayın. Gözle temas durumunda ayrıca doktora başvurun. Aküden sıvı akması ciltte tahriş veya yanmaya neden olabilir.

#### 6. Servis

- a. **Elektrikli aletinizi, sadece orijinal yedek parçaların kullanıldığı yetkili servise tamir ettirin.** Bu, elektrikli aletin güvenliğinin muhafaza edilmesini sağlayacaktır.
- b. **Hasarlı aküleri asla tamir etmeyin.** Akülerin tamiri sadece üretici veya yetkili servis tarafından yapılmalıdır.

### ELEKTRİKLİ EL ALETLERİ İÇİN EK GÜVENLİK TALİMATLARI



**UYARI!** Matkaplar/tornavidalar için ek güvenlik talimatları

- **Darbeli matkap ile çalışırken kulaklık takın.** Yüksek sese maruz kalmak işitme kaybına yol açabilir.
- **Alele birlikte verilmiş olan yardımcı tutma kollarını kullanın.** Kontrol kaybı kişisel yaralanmalara neden olabilir.
- **Kesme aksesuarının gizli kablolarla temas edebileceği yerlerde çalışma yaparken elektrikli aleti yalıtımlı kavrama yüzeylerinden tutun.** Kesme aksesuarının «akım taşıyan» bir kabloya temas etmesi durumunda elektrikli aletin metal kısımları da «akım taşıyıcı» hale gelecek ve kullanıcının elektrik çarpmasına neden olabilir.
- **Bağlantı parçasının gizli kablolarla temas edebileceği yerlerde çalışma yaparken elektrikli aleti yalıtımlı kavrama yüzeylerinden tutun.** Bağlantı parçalarının «akım taşıyan» bir kabloya temas etmesi durumunda elektrikli aletin metal kısımları da «akım taşıyıcı» hale

gelecek ve kullanıcının elektrik çarpmasına neden olabilir.

- **Üzerinde çalıştığınız parçayı sabitlemek ve desteklemek için kelepçeler veya başka pratik yöntemler kullanın.** Parçayı elle veya vücudunuza dayamanız dengesiz durmasına neden olacaktır ve aletin kontrolünü kaybetmenize yol açabilir.
- **Duvar, zemin veya tavanda delik açmadan önce kablo ve boruların konumunu kontrol edin.**
- **Delme işleminin hemen ardından matkap ucuna dokunmaktan kaçının; sıcak olabilir.**
- **Kullanım amacı bu kullanım kılavuzunda açıklanmıştır.** Herhangi bir aksesuarın veya bağlantının ya da işlemin, bu kılavuzda tavsiye edilen şekilden başka bir şekilde kullanılması şahısların yaralanmalarına ve/veya mal kaybına yol açabilir.

### DiĞER KiŞİLERİN GÜVENLİĞİ

- Bu alet fiziksel ve zihinsel kapasitesinin yanı sıra algılama gücü azalmış olan veya yeterince deneyim ve bilgi bulunmayan kişiler (çocuklar dahil) tarafından kullanılmak üzere üretilmemiştir. Bu tür kişiler aleti ancak güvenliklerinden sorumlu bir kişi tarafından cihazın kullanımıyla ilgili talimatların verilmesi veya sürekli kontrol altında tutulması durumunda kullanılabilir.
- Çocuklar, aletle oynamalarını önlemek amacıyla kontrol altında tutulmalıdır.

### Diğere tehlikeler

Aletin kullanımıyla ilgili ekte sunulan güvenlik uyarılarına dahil olmayan ilave kalıcı riskler ortaya çıkabilir. Bu riskler, hatalı, uzun süreli kullanım vb. dolayısıyla ortaya çıkabilir.

Emniyet tedbirlerini düzenleyen yönetmeliğin uygulanmasına ve emniyet sağlayıcı aygıtların kullanılmasına rağmen, başka belirli risklerden kaçınılamaz. Bunlar:

- Aletin dönen ve hareket eden parçalarına dokunma sonucu ortaya çıkan yaralanmalar.
- Herhangi bir parçayı, bıçak veya aksesuarı değiştirirken ortaya çıkan yaralanmalar.
- Aletin uzun süreli kullanılması sonucu ortaya çıkan yaralanmalar. Herhangi bir aleti uzun sürelerle kullanacaksanız dündenli olarak çalışmanıza ara verin.
- Duyma bozukluğu.
- Aleti kullanırken ortaya çıkan tozun solunması sonucu ortaya çıkan sağlık sorunları (örnek: aşıpıda çalışırken, özellikle meşe, akğürge ve MDF).

### ELEKTRİK GÜVENLİĞİ

Elektrik motoru, sadece tek bir gerilim ile çalışacak şekilde ayarlanmıştır. Her zaman akü voltajının aletin üretim etiketinde belirlenmiş değerlere uyup uymadığını kontrol edin. Aynı zamanda şarj cihazınızın voltajının ana şebeke voltajınızla aynı olduğundan emin olun.



Şarj cihazınız çift yalıtımlıdır. Bu yüzden hiçbir topraklama kablosuna gerek yoktur. Her zaman şebeke geriliminin aletin üretim etiketinde belirlenmiş değerlere uyup uymadığını kontrol edin. Şarj cihazını kesinlikle normal bir elektrik fişi ile değiştirmeye kalkışmayın.

## TÜRKÇE (Çevirisi orijinal talimatlardan yapılmıştır)

- Elektrik kablosu hasarlı ise, bir tehlike oluşmasını önlemek için üretici ya da yetkili STANLEY Servis Merkezi tarafından değiştirilmelidir.

### UZATMA KABLOLARININ KULLANIMI

Kesinlikle gerekli olmadıkça bir uzatma kablosu kullanılmamalıdır. Daima şarj cihazınızın elektrik girişine uygun («Teknik Özellikleri» bölümüne bakın), onaylı bir uzatma kablosu kullanın. Minimum iletken boyutu 1 mm'dir; maksimum uzunluk 30 m'dir.

Bir kablo makarası kullanırken, kabloyu daima sonuna kadar açın.

### TÜM AKÜ ŞARJ CİHAZLARI İÇİN ÖNEMLİ GÜVENLİK TALİMATLARI

Bu talimatları saklayın: Bu kılavuz SC122 şarj cihazları hakkında önemli güvenlik ve çalışma talimatları içerir.

- Şarj cihazını kullanmadan önce şarj cihazının, akünün ve üründe kullanılan akünün üzerindeki talimatları ve uyarıcı işaretleri okuyun.



**UYARI:** Elektrik çarpması tehlikesi. Şarj cihazının Elektrik çarpması tehlikesi. Şarj cihazının içine sıvı kaçmasına izin vermeyin. Elektrik çarpmasına neden olabilir.



**DİKKAT:** Yanma tehlikesi. Yaralanma riskini azaltmak için, yalnızca STANLEY şarj edilebilir akülerini şarj edin. Diğer akü tipleri patlayarak yaralanmanıza veya hasar meydana gelmesine yol açabilir.



**DİKKAT:** Çocuklar, cihazla oynamalarını önlemek amacıyla kontrol altında tutulmalıdır.



**İKAZ:** Belirli koşullar altında, şarj cihazı güç kaynağına takılıyken, yabancı maddeler tarafından kısa devre yapılabilir. Bunlarla sınırlı olmamak

kaydıyla iletken nitelikteki taşlama tozu, metal yongalar, çelik yünü, alüminyum folyo veya metal parçacık birikimi gibi yabancı maddeler şarj cihazının yuvalarından uzak tutulmalıdır. Yuvada akü yokken şarj cihazını daima güç kaynağından çıkarın. Şarj cihazının fişini temizlemeden önce çıkarın.

- Aküyü bu kılavuzdaki şarj cihazlarından başka cihazlarla şarj etmeye **ÇALIŞMAYIN**. Şarj cihazı ve akü özellikle birlikte çalışacak şekilde tasarlanmıştır.
- Bu şarj cihazları STANLEY şarj edilebilir akülerini şarj etmekten başka kullanımlar için tasarlanmamıştır. Başka kullanımlar yangın veya elektrik çarpmasına yol açabilir.
- Şarj cihazını yağmura veya kara maruz bırakmayın.
- Şarj cihazını fişten çıkarırken kablodan değil fişten tutarak çekin. Bu, elektrik fişine ve kablosuna hasar verilmesi riskini azaltır.
- Kablonun üzerine basılmayacak, ortalıkta gezinmeyecek veya başka şekilde hasara ve gerginliğe maruz kalmayacak şekilde yerleştirildiğinden emin olun.
- Kesinlikle gerekli olmadıkça bir uzatma kablosu kullanmayın. Yanlış uzatma kablosu kullanımı yangın veya elektrik çarpmasına neden olabilir.
- Şarj cihazının üzerine herhangi bir eşya koymayın veya şarj cihazını havalandırma deliklerini kapatıp aşırı iç sıcaklığa neden olabilecek yumuşak bir yüzeye yerleştirmeyin. Şarj cihazını herhangi bir ısı kaynağından uzaktaki bir yere koyun. Şarj cihazı muhafazanın üstündeki ve altındaki delikler aracılığıyla havalandırılır

- Şarj cihazını hasarlı kordon veya fişle çalıştırmayın — bunları derhal değiştirin.
- Şarj cihazını sert bir darbe aldıysa, düştüyse veya herhangi bir şekilde hasar gördüyse çalıştırmayın. Yetkili bir servis merkezine götürün.
- Şarj cihazını sökmeğin; servis veya onarım gerektiğinde yetkili bir servis merkezine götürün. Yanlış yeniden takma elektrik çarpmasına veya yangına yol açabilir.
- Elektrik kablosu hasarlı ise, bir tehlike oluşmasını önlemek için üretici ya da yetkili Servis Merkezi tarafından değiştirilmelidir.
- Herhangi bir temizlik işlemi yapmadan önce şarj cihazının fişini prizden çekin. Bu, elektrik çarpması riskini azaltır. Aküyü çıkarmak bu riski azaltmaz.
- ASLA 2 şarj cihazını bir arada bağlamaya çalışmayın.
- Şarj cihazı standart ev elektrik gücüyle çalışmak üzere tasarlanmıştır. Başka herhangi bir voltaj ile kullanmayı denemeyin. Bu araba şarj cihazı için geçerli değildir..

### Şarj cihazları

SC122 şarj cihazı 12V MAX / 10,8V Li-Ion akülerle çalışır. Şarj cihazı ayarlama gerektirmez ve kullanımı mümkün olduğunca kolay olacak şekilde tasarlanmıştır.

### ALET ÜZERİNDEKİ ETİKETLER

Aletin etiketinde tarih kodu ile birlikte aşağıdaki semboller bulunabilir:



**UYARI!** Yaralanma riskini en aza indirmek için kullanıcı kullanım talimatlarını mutlaka okumalıdır.



Daima koruyucu gözlük takın



Daima koruyucu kulaklık takın

### Tarih kodu konumu

İmalat yılını da içeren Tarih Kodu gövdeye basılıdır.

Örnek:

2017 XX JN

İmalat Yılı

### AMBALAJIN İÇERİĞİ

Ambalaj, aşağıdaki parçaları içermektedir:

- 1 Darbeli Matkap/Tornavida
- 1 Şarj cihazı
- 2 Akü (S2) veya 1 akü (S1)
- 1 Kullanım kılavuzu

**NOT:** N modelleriyle birlikte akü ve şarj cihazı verilmemektedir.

- Alette, parçalarda veya aksesuarlarda nakliye sırasında meydana gelmiş olabilecek hasarı kontrol edin.
- Aleti çalıştırmadan önce, bu kullanım kılavuzunu baştan sonra okuyup anlamak için gerekli zamanı ayırın.

### ÖZELLİKLER (ŞEKİL A)

- 1 Açma/kapama tetiği
- 2 İleri/geri kontrol düğmesi
- 3 Tork ayarlama bileziği
- 4 Vites mandalı
- 5 Anahtarsız mandren
- 6 Akü çıkartma düğmesi
- 7 Akü
- 8 LED aydınlatma
- 9 Ayar bileziği

**MONTAJ**

**UYARI!** Montajdan önce aküyü aletten çıkartın.

**Şarj etme (Şekil B)**

1. Aküyü takmadan önce, şarj cihazının (10) fişini uygun prize takın.
2. Aküyü (7) şarj cihazına takın. Kırmızı (şarj) ışığın sürekli yanıp sönmesi, şarj işleminin başladığını gösterir.
3. Kırmızı ışığın sürekli AÇIK kalması, şarjin tamamlandığını gösterir. Akü tamamen şarj olmuştur ve hemen kullanılabilir veya şarj cihazında bırakılabilir.

**NOT:** Li-Ion akülerden maksimum performans almak ve akülerin kullanım ömrünü uzatmak için, kullanmadan önce aküyü tamamen şarj edin. Akünün şarj durumu için aşağıdaki tabloya bakın.

**Şarj işlemi**

Akünün şarj durumu için aşağıdaki tabloya bakın.

Şarj durumu	SC122
şarj edilmesi	--- --  yeşil yanıp sönecektir
tamamen şarj oldu	— — — —  yeşil yanar
sıcak/soğuk akü	-----  kırmızı yanıp sönecektir
hasarlı akü	.....  kırmızı hızlı yanıp sönecektir

**Sıcak/soğuk akü gecikmesi**

Şarj cihazı SC122 sıcak/soğuk akü gecikmesi özelliğine sahiptir. Şarj cihazı bir akünün çok sıcak olduğunu tespit ettiğinde otomatik olarak akü soğuyana kadar şarj işlemini durdurur. Şarj cihazı bir akünün çok soğuk olduğunu tespit ettiğinde otomatik olarak akü ısınana kadar şarj işlemini durdurur. Kırmızı ışık yanıp sönmeye devam edecek ve şarj işlemine başlayamayacaktır. Akü soğuduktan sonra şarj cihazı şarj işlemine devam edecektir.

**Hasarlı akü**

Şarj cihazı akünün zayıf veya hasarlı olduğunu tespit edebilir. Kırmızı LED ışığı, etikette gösterilen aralıkla yanıp sönecektir. Hasarlı aküyü tespit eden yanıp sönmeye aralığını görünce aküyü şarj etmeye devam etmeyin. Aküyü geri dönüşüm için servis veya toplama merkezine getirin.

**Elektronik Koruma Sistemi**

STANLEY Li-Ion aküler, aküyü aşırı yük, aşırı ısınma veya derin deşarja karşı koruyan Elektronik Koruma Sistemli olarak tasarlanmışlardır. Elektronik Koruma Sisteminin devreye girmesi durumunda alet otomatik olarak kapanır. Bu durumla karşılaşarsanız Li-Ion aküyü şarj cihazına yerleştirin ve tam olarak şarj olmasını bekleyin.

**Tüm aküler için önemli güvenlik talimatları**

Yedek aküleri sipariş ederken, katalog numarasını ve voltajı eklediğinizden emin olun. Akü, kutudan şarjı dolu olarak çıkmaz. Aküyü ve şarj cihazını kullanmadan önce, aşağıdaki güvenlik talimatlarını dikkatlice okuyun. Daha sonra belirtilen şarj işlemlerini uygulayın.

**TÜM TALİMATLARI OKUYUN**

- Aküyü, yanıcı sıvılar, gazlar ve tozların bulunduğu yerler gibi yanıcı ortamlarda şarj etmeyin veya kullanmayın. Aküyü şarj cihazına takmak veya cihazdan çıkarmak toz veya dumanları tutuşturabilir.

- Aküyü şarj cihazının içine doğru zorlamayın. Akü kırılarak ciddi kişisel yaralanmaya neden olabileceğinden akünün üzerinde hiçbir şekilde uyumsuz bir şarj cihazına uydurmak için değişiklik yapmayın.
- Aküleri yalnızca Stanley şarj cihazlarında şarj edin.
- Su veya diğer sıvıları sıçartmayın veya bunlara DALDIRMAYIN.
- Aleti ve aküyü sıcaklığı 40°'ye ulaştığı veya bu sıcaklığı aştığı yerlerde (yazın dış barakalar veya metal binalar gibi) depolamayın veya kullanmayın.



**UYARI:** Aküyü hiçbir nedenle asla açmayın. Akünün muhafazası çatırsa veya hasar görürse, şarj cihazına takmayın. Aküyü çarpmayın, düşürmeyin veya pakete hasar vermeyin. Sert bir darbe almış,

düşmüş, çignenmiş veya herhangi bir şekilde hasar görmüş (örn. Çiviyile delinmiş, çekiçle vurulmuş veya üzerine basılmış) bir aküyü veya şarj cihazını kullanmayın. Elektrik çarpmasına yol açabilir. Hasarlı aküler geri dönüşüm için servis merkezine gönderilmelidir.



**DİKKAT:** Aleti kullanmadığınız zaman, devrilme veya düşme tehlikesine yol açmayacağı dengeli bir yüzeye yan tarafının üzerine yerleştirin. Büyük aküleri sahip bazı aletler akünün üzerine dik durabilir, ancak bunlar kolayca devrilebilir.

**Lityum iyon (li-ion) aküler için özel güvenlik Talimatları**

- Önemli ölçüde hasarlı veya tamamen eskimiş olsa bile aküyü ateşe atmayın. Akü ateşe atılırsa patlayabilir. Lityum iyon aküler yanınca zehirli buharlar ve materyaller açığa çıkar.
- Akü içeriği cildinize temas ederse, etkilenen alanı derhal yumuşak bir sabun ve suyla yıkayın. Akü sıvısı gözlerinize bulaşır, gözünüzü açık tutarak 15 dakika boyunca veya tahriş hissi geçene kadar suyla yıkayın. Tıbbi yardım gerekirse, akü elektroliti sıvı organik karbonatlar ve lityum tuzları karışımından oluşmaktadır.
- Açılan akü hücrelerinin içeriği solunum yolunu tahriş edebilir. Ortama temiz hava girmesini sağlayın. Belirtiler geçmezse tıbbi yardım alın.



**UYARI:** Yanma tehlikesi. Akü sıvısı kıvılcıma veya ateşe maruz kalırsa yanıcı olabilir.

**Nakliyat**

STANLEY aküler, Tehlikeli Maddelerin Nakliyesi Hakkında BM Tavsiyeleri; Uluslararası Hava Taşımacılığı Birliği (IATA) Tehlikeli Madde Düzenlemeleri, Uluslararası Deniz Taşımacılığı Tehlikeli Madde (IMDG) Düzenlemeleri ve Uluslararası Karayoluyla Tehlikeli madde Taşıma Konulu Avrupa Anlaşması içeriklerinde belirtilen sektörel ve hukuki standartların tüm düzenlemeleriyle uyumludur. Lityum-iyon hücreler ve aküler, Tehlikeli Madde Taşımacılığı Kılavuzu Testleri ve Kriterleri Hakkındaki BM Tavsiyelerinin 38.3. bölümüne kadar test edilmiştir. Çoğu durumda, STANLEY akünün nakliyatı tamamen düzenlenmiş Sınıf 9 Tehlikeli madde sınıfının dışında kalmaktadır. Genel olarak, Sınıf 9 gerektiren iki örnek şunlardır:

1. İki adetten fazla STANLEY lityum-iyon akünün, pakette yalnızca aküler varken (hiçbir alet olmadan) hava yoluyla taşınması, ve
2. Enerji derecesi 100 Watt Saat (Wh)'den fazla olan lityum-iyon akülerin herhangi bir şekilde taşınması. Tüm lityum-iyon akülerin paketlerinde Watt Saat değeri belirtilmiştir.

Nakliyat kapsam dışında da kalsa, tamamen düzenlenmiş de olsa, paketlenme, etiketlenme ve belgeleme gereklilikleri hakkındaki son düzenlemeleri takip etmek nakliyatçıların sorumluluğudur. Aküleri taşımak eğer akü terminalleri iletken malzemelerle dikkatsizlik sonucu temas ederlerse yangına neden olabilir. Akü nakliyatı yaparken, akü kutuplarının iyi korunduğundan ve kutuplarla temas edip kısa devreye sebep olabilecek maddelerden iyi şekilde izole edildiğinden emin olun. Kılavuzun bu bölümünde bulunan bilgiler iyi niyetle yazılmıştır ve kılavuzun hazırlandığı tarih itibarıyla doğru olduğuna inanılmaktadır. Fakat, sözlü veya zımnen hiçbir garanti verilmemektedir. Gerçekleştirdiği işlemlerin geçerli düzenlemelerle uyumlu olduğundan emin olmak alıcının sorumluluğundadır.

### Akü AKÜ TİPİ

SCH121 12V akülerle çalışır.  
Saklama önerileri

1. En iyi saklama ortamı serin ve kuru, doğrudan güneş ışığı almayan, aşırı sıcak ve soğuk olmayan yerlerdir. En uygun akü performansı ve ömrü için kullanımda değilken aküleri oda sıcaklığında saklayın.
2. Uzun süreli saklama için, en iyi sonuç için şarj cihazından uzak serin, kuru bir yerde tamamen dolu bir akü saklamak için tavsiye edilir.

**NOT:** Aküler tamamen şarj boşalmış halinde saklanmamalıdır. Akünün kullanılmadan önce yeniden şarj edilmesi gerekir.

### Şarj cihazı ve akü üzerindeki etiketler

Bu kılavuzda kullanılan sembollere ilave olarak, şarj cihazı ve akü üzerinde bulunan etiketler aşağıdaki sembolleri belirtmektedir:



Aletle çalışmaya başlamadan önce bu kılavuzu okuyun.



Şarj süresi için Teknik Özellikleri bölümüne bakın.



Akü şarj oluyor.



Akü şarj oldu.



H Hasarlı akü.



Sıcak/soğuk akü gecikmesi



İletken nesnelere temas etmeyin.



H Hasarlı aküleri şarj etmeyin.



S Suya maruz bırakmayın.



H Hasarlı kabloların hemen değiştirilmesini sağlayın.



Sadece 4 °C ila 40 °C arasında şarj edin



Yalnızca kapalı alanda kullanım içindir.



Aküleri çevremize gerekli ozeni göstererek atın.



STANLEY aküler, yalnızca onlar için tasarlanmış olan STANLEY şarj cihazlarında şarj edin. STANLEY aküleri haricindeki akülerin STANLEY şarj cihazlarıyla şarj edilmesi patlamalarına veya diğer tehlikeli durumların ortaya çıkmasına sebep olabilir.



Aküyü ateşe atmayın.

## MONTAJ VE AYARLAMALAR



**UYARI:** Montaj ve ayarlama işlemlerinden önce daima aküyü çıkartın. Aküyü takmadan veya çıkartmadan önce daima aletin kapalı olduğundan emin olun.



**UYARI:** Yalnızca STANLEY akü ve şarj cihazlarını kullanın.

### Alete akü takma ve çıkartma (Şekil C)



**UYARI:** Ciddi yaralanma riskini azaltmak için herhangi bir ayar yapmadan ya da parça veya aksesuarları söküp takmadan önce ileri/geri düğmesini kilitleyin veya aleti kapatın ve aküyü çıkartın. Aletin yanlışlıkla çalıştırılması yaralanmaya neden olabilir.

**NOT:** Akünün (7) tamamen şarjlı olduğundan emin olun.

### Aküyü aletin koluna takma

1. Aküyü kolun içindeki raylarla hizalayın.
2. Kilidin yerine oturduğunu duyana kadar yerine doğru sıkıca kaydırın.

### Aküyü aletten çıkartma

1. Serbest bırakma düğmesine (6) basın ve aküyü sıkıca çekerek aletin kolundan çıkarın.
2. Aküyü bu kılavuzun şarj cihazı kısmında açıklandığı gibi şarj cihazına takın.

## KULLANIM

### Uygun el pozisyonu (Şekil A, H)



**UYARI:** Ciddi yaralanma riskini azaltmak için, DAİMA şekilde gösterilen uygun el pozisyonunu kullanın.



**UYARI:** Ciddi yaralanma riskini azaltmak için, ani tepki ihtimaline karşı aleti DAİMA sıkıca tutun. Doğru el pozisyonu bir elin ana kol (9) üzerinde olduğu konumdur.

### Dönme yönünün seçilmesi (Şekil D)

Vidaları sıkamak için ileri (saat yönünde) dönmeyi kullanın. Vidaları gevşetmek için geri (saatin ters yönünde) dönmeyi kullanın.

- İleri dönmeyi seçmek için ileri/geri sürgüsünü (2) sola itin.



- Geri dönmeyi seçmek için ileri/geri sürgüsünü sağa itin.
- Aleti kilitlemek için ileri/geri sürgüsünü orta konuma getirin.
- İleri/geri kontrol düğmesinin yerini değiştirirken tetiğin serbest bırakıldığından emin olun.

### Açma/kapama tetiği (Şekil A)

Aleti açmak için, açma/kapama tetik düğmesine (1) basın. Aleti kapatmak için, açma/kapama tetik düğmesini bırakın. Aletin motor freni ile donatılmıştır. Tetik düğmesini tamamen bıraktıktan sonra mandren duracaktır.

Değişken hız ayarlı tetik belirli bir uygulamaya için en iyi hız seçmenizi sağlar. Ne kadar fazla tetiğe basarsanız, alet o kadar hızlı çalışacaktır. Maksimum uzun alet ömrü için değişken hız ayarını sadece delik delmeye veya vida sıkmaya başlarken kullanın.

NOT: Değişken hız aralığında sürekli kullanım tavsiye edilmez. Bu tetiğe zarar verebilir ve kaçınılmalıdır.

### İleri/geri kontrol düğmesi (Şekil A)

- İleri/geri kontrol düğmesi (2) aletin çalışma yönünü belirler ve ayrıca çalışmayı önleyen bir kilit görevi görür.
- İleri/geri kontrol düğmesi (2) aletin çalışma yönünü belirler ve ayrıca çalışmayı önleyen bir kilit görevi görür.
- İleri dönmeyi seçmek için açma/kapama tetiğini bırakın ve aletin sağ tarafındaki ileri/geri kontrol düğmesine basın.
- Geri dönmeyi seçmek için aletin sol tarafındaki ileri/geri kontrol düğmesine basın.
- İleri/geri kontrol düğmesi orta konumundayken aleti kapalı konumda kilitlet. İleri/geri kontrol düğmesinin yerini değiştirirken tetiğin serbest bırakıldığından emin olun.

NOT: Aleti dönme yönünü değiştirildikten sonra ilk çalıştırma baştan bir tıklama sesini duyabilirsiniz. Bu normal bir durumdur ve bir sorun olduğuna işaret etmez.

### LED aydınlatma

Tork ayarlama bileziğinin (3) altında bir çalışma LED ışığı (8) bulunmaktadır. Tetik düğmesine basıldığında çalışma ışığı devreye girer.

Not: Bu aydınlatma sadece çalışma alanını aydınlatmak için tasarlanmıştır; fener olarak kullanım için değildir.

### Tork ayarlama bileziği (Şekil A, D)

Tork ayarlama bileziği (3) sayılarla ve bir matkap ucu simgesiyle açıkça işaretlenmiştir. Bilezik, istenen ayar aletin üstüne gelene kadar çevrilmelidir. Sabitleme torkunu seçerken tahmini ortadan kaldırmak için bilezikte yer bulucular sunulmuştur. Bilezik üzerindeki sayı yükseldikçe, tork da yükselir ve takılacak vida boyutu o kadar büyür. Bileziği delme işlemleri için kilitlemek için matkap ucu konumuna getirin.

Not: Matkap/tornavidayı delik delmek için kullanırken, tork ayarlama bileziğinin matkap ucu simgesine ayarlanmış ve aletin üst kısmındaki merkez çizgisiyle hizalanmış olduğundan emin olun. Bunun yapılmaması, delik delme işlemi sırasında bileziğin kaymasına neden olur.

### Vites mandalı (Şekil A, D)

Aletinizi iki hızlı vites kutusu özelliği ile çok amaçlı kullanım için vitesler arasında geçiş yapmanızı sağlar. Düşük vitesi (yüksek tork ayarı) seçmek için aleti kapatın ve durmasını bekleyin. Vites mandalını (4) ileriye (mandrene doğru) kaydırın. Yüksek vitesi (düşük tork ayarı) seçmek için aleti kapatın ve durmasını bekleyin. Vites mandalını geriye (mandrenden uzağa) kaydırın.

Not: Alet çalışırken vites değiştirmeyin. Vites değiştirirken sorun yaşıyorsanız vites mandalının tamamen ileri veya tamamen geri itildiğinden emin olun.

### LED aydınlatma

Tork ayarlama bileziğinin (3) altında bir çalışma LED ışığı (8) bulunmaktadır. Tetik düğmesine basıldığında çalışma ışığı devreye girer.

NOT: Bu aydınlatma sadece çalışma alanını aydınlatmak için tasarlanmıştır; fener olarak kullanım için değildir.

### Anahtarsız mandren (Şekil E)

Aletin, mandrenin tek elle kullanılması için tek döner kovanlı anahtarsız mandren kullanmaktadır. Matkap ucunu veya başka bir aksesuarı takmak için aşağıdaki adımları izleyin.

1. Yukarıda açıklandığı gibi tetiği kapalı konumunda kilitleyin.
2. Mandrenin siyah kovasını bir elinizle kavrayın ve diğer elinizle aleti tutun. Kovanı, istenen aksesuarı takmak için yeterli kadar açılana kadar saatin ters yönünde çevirin.
3. Ucu yaklaşık 19 mm mandren içine sokun ve bir elinizle aleti tutarken diğer elinizle mandreni saat yönünde çevirerek sıkın. Aletin bir mil kilidi mekanizmasıyla donatılmıştır. Bu, bir elinizle mandreni açıp kapatmanızı sağlar. Aksesuarı çıkarmak için, 2. adımı tekrarlayın.



**UYARI:** Mandrenin ön kısmını tutarak ve aleti çalıştırarak

matkap uçları (veya başka bir aksesuarı) sıkmaya kalkışmayın. Bu yaralanmaya veya mandren hasarına yol açabilir. Aksesuar değiştirirken daima açma/kapama tetiğini kilitleyin. Maksimum sıklık için bir elle mandreni sıkarken diğer elle de aleti tutun.

### Mandren çıkartılması (Şekil F)

Ayarlama bileziğini «matkap» konumuna ve vites mandalını 1. konumuna (düşük hız) ayarlayın. 6,35 mm (1/4") veya daha büyük bir altıgen anahtarın (ambalaja dahil değil) kısa ucunu mandrene sıkıştırın. Aşşap bir tokmak veya benzeri nesneyle şekilde gösterildiği gibi anahtarın uzun ucuna saat yönünde çevirerek vurun. Bu, mandren içindeki vidayı gevşetir. Mandren kısıklarını mümkün olduğunca açın ve vida kafasını kavramak için bir tornavidayı (veya gerekirse tork anahtarını) mandren kısıkları arasından sokun. Vidayı saat yönünde (sol oluk) çevirerek sökün. Şekil F'de gösterildiği gibi altıgen anahtar mandren içine yerleştirip sıkın. Aşşap bir tokmak veya benzeri nesneyle şekilde gösterildiği gibi anahtar saatin ters yönünde çevirerek vurun. Bu mandreni gevşetir, böylece el ile sökebilirsiniz.

### Mandren takılması (Şekil G)

Mandreni gidebildiği kadar elle vidalayın ve vidayı (sol oluk) takın. Vidayı iyice sıkın. Bir altıgen anahtarın (ambalaja dahil değil) kısa ucunu mandrene sıkıştırın ve anahtarın uzun ucuna aşşap bir tokmakla şekilde gösterildiği gibi saat yönünde vurun. Vidayı saatin ters yönünde tekrar sıkın.

### Delme



**UYARI:** Ciddi yaralanma riskini azaltmak için herhangi bir ayar yapmadan ya da parça veya aksesuarları söküp takmadan önce aleti kapatın ve güç kaynağından ayırın.



**UYARI:** Kişisel yaralanma riskini azaltmak için, DAİMA

üzerinde çalışılan parçanın sıkıca sabitlendiğinden veya sıkıştırıldığından emin olun. İnce malzemeleri deliyorsanız, malzemenin hasar görmesini engellemek için aışap bir «destekleme» bloęu kullanın. Delme işlemleri için tork ayarlama bilezięini matkap ucu sembolüne getirin. Planlanan işleme uygun hız/tork aralıęını seçmek için vites mandalını kullanın.

- Yalnızca keskin matkap uçlarını kullanın. AHŞAP için, aışap matkap uçları, geniş ağızlı aışap uçları veya delik testereleer kullanın. METAL için, yüksek hızlı çelik (HHS) uçları, metal matkap uçları, veya delik testereleer kullanın.
- Daima matkap ucuna düz bir çizgide baskı uygulayın. Uca yeterli bir baskı uygulayın, ama motor duracak ya da uç sekecek kadar deęil.
- Dönme hareketini kontrol etmek için matkabı her iki elinizle sıkıca tutun.



**UYARI:** Matkap zorlanırsa aşırı dönme kuvvetine yol açacak şekilde aniden durabilir. Her zaman ani durmaya karşı dikkatli olun. Dönme hareketini kontrol etmek ve yaralanmayı önlemek için matkabı her iki elinizle sıkıca tutun.

- MATKAP DURURSA, bunun nedeni genellikle aşırı yüklenmesi veya yanlış kullanılmasıdır. TETİęİ DERHAL BIRAKIN, ucu çıkarın ve durma nedenini belirleyin. ANİDEN DURMUŞ VEYA SIKIŞMIŞ MATKABI YENİDEN ÇALIŞTIRMAK İÇİN AÇMA/ KAPAMA TETİęİNE SÜREKLİ BASMAYA KALKIŞMAYIN – BU, MATKABA ZARAR VEREBİLİR.
- Durmayı veya malzemenin kırılmasını en aza indirmek için, matkabın üzerindeki basıncı azaltın ve ucu delięin son parçasının içinden çıkarın.
- Ucu açılmış delięinden çekerken motor çalışmasını sağlayın. Bu sıkışmayı önlemeye yardımcı olacaktır.
- Deęişken hızlı matkaplarda, delinecek noktayı ortalamaya gerek yoktur. Bir delięi açmaya başlamak için düşük hız kullanın ve delik uç kaymayacak kadar derin olduęunda tetięi daha sert sikarak hızlandırın.

### Darbeli delme (Şekil D)

1. Ayar bilezięini (9) çekiç sembolüne getirin.
2. Seçiciyi öne (mandrene) doęru kaydırarak yüksek hız ayarını seçin. Önemli: Sadece karpit uçlu veya beton matkap uçlarını kullanın.
3. Matkabın aşırı derecede sıçramasını veya ucun “yükselm-esini” engelleyecek kadar kuvvetle delin. Çok fazla kuvvet daha yavaş delme hızlarına, aşırı ısınmaya ve düşük delme hızına neden olur.
4. Matkap ucunu dik açıyla tutarak düz bir şekilde delik açın. Matkap ucu oluklarının tıkanması ve daha yavaş bir delme hızı olmaması için delme işlemi sırasında matkap ucu üzerinde yan basıncı uygulamayın.
5. Derin delikleri açarken darbeli hız düşmeye başlarsa delik içindeki artıkların temizlenmesi için alet çalışır durumdayken matkap ucunu kısmen delik dışına doęru çekin.

**NOT:** Delikten tozun düzgün ve pürüzsüz akışı uygun delme hızını gösterir.

### Tornavidanın kullanımı

Planlanan işleme uygun hız/tork aralıęını seçmek için aletin üst kısmında bulunan iki vites mandalını kullanın. İstedięiniz

sabitleyici aksesuarını herhangi bir matkap ucunu taktięınız gibi mandrene takın. Tork ayarlama bilezięinin doęru konumunu belirlemek için atık malzemelerin veya görülmeyen bölgelerin üzerinde birkaç deneme yapın.

### Maksimum önerilen kapasiteler

	Düşük hız-1	İolYüksek hız-2
Metal uçları ile delme	6.00 mm	3.00 mm
Geniş aışap uçları ile delme	19.00 mm	12.00 mm
Delik testereleer	19.00 mm	16.00 mm
Tuęla		8.00 mm

### BAKIM

STANLEY aletiniz minimum bakımla uzun bir süre çalışacak şekilde tasarlanmıştır. Kesintisiz olarak memnuniyet verici bir şekilde çalışması gerekli özenin gösterilmesine ve düzenli temizlięe baęlıdır.

Şarj cihazınız, düzenli temizlik dışında herhangi bir bakım gerektirmemektedir.



**UYARI!** Herhangi bir bakım çalışmasına başlamadan önce aküyü aletten çıkartınız. Şarj cihazını temizlemeden önce fişten çekin.

- Aletinizdeki ve şarj cihazındaki havalandırma deliklerini yumuşak bir fırça veya kuru bir bezle düzenli olarak temizleyin.
- Motor muhafazasını düzenli olarak nemli bir bezle silin. Aşındırıcı veya çözücü bazı temizleyiciler kullanmayın.
- Mandreni düzenli olarak tamamen açın ve içindeki tozu dökmek için hafifçe vurun.

### Yaęlama



Elektrikli aletiniz ek bir yaęlama gerektirmemektedir.



### Temizleme



**UYARI:** Havalandırma deliklerinde ve etrafında toz toplanması halinde bu tozu ve kiri kuru hava kullanarak

ana gövdeden uzaklaştırın. Bu işlemi gerçekleştirirken onaylı bir göz koruması ve onaylı toz maskesi takın.

**UYARI:** Aletin metalik olmayan parçalarını temizlemek için asla çözücü veya başka sert kimyasal kullanmayın. Bu kimyasallar bu parçalarda kullanılan malzemeleri güçsüzleştirir. Yalnızca su ve yumuşak sabunla nemiendirilmiş bir bez kullanın. Aletin içine sıvı kaçmasına kesinlikle izin vermeyin; aletin herhangi bir parçasını bir sıvı içine daldırmayın.

### Şarj cihazı temizleme talimatları

**UYARI:** Elektrik çarpması tehlikesi. Temizlik işlemi yapmadan önce şarj cihazının fişini AC prizinden çekin. Bir bez veya metalik olmayan yumuşak bir fırça kullanılarak, şarj cihazının dışındaki kir ve yaę çıkartılabilir. Su veya başka bir temizleme solüsyonunu kullanmayın.

**Aksesuarlar**

**UYARI!** STANLEY tarafından tedarik veya tavsiye edilenlerin dışındaki aksesuarlar bu ürün üzerinde test edilmediğinden, söz konusu aksesuarların bu aletle birlikte kullanılması tehlikeli olabilir. Yaralanma riskini azaltmak için bu ürünle birlikte sadece STANLEY tarafından tavsiye edilen aksesuarlar kullanılmalıdır. Uygun aksesuarlarla ilgili daha ayrıntılı bilgi için bayiinize danışın.

**ÇEVRENİN KORUNMASI**

Ayrı olarak atın. Bu ürün, normal evsel atıklarla birlikte atılmamalıdır.

STANLEY ürününüzün değiştirilmesi gerektiğini düşünmeniz veya artık kullanılamaz durumda olması halinde onu, evsel atıklarla birlikte atmayın. Bu ürünü, ayrı olarak toplanacak şekilde atın.



STANLEY, hizmet ömrünün sonuna ulaşan STANLEY ürünlerinin toplanması ve geri dönüşüme sokulması için bir imkân sunmaktadır. Bu hizmetin

avantajlarından faydalanmak için, lütfen, ürününüzü bizim adımıza teslim alacak herhangi bir yetkili servise iade edin. Bu kılavuzda belirtilen listeden size en yakın STANLEY yetkili tamir servisinin yerini öğrenebilirsiniz. Ya da, alternatif olarak internet'ten STANLEY yetkili tamir servislerinin listesini ve satış sonrası hizmetlerimizle ilgili tüm bilgiler ve temas bilgilerine aşağıdaki siteden ulaşabilirsiniz. [www.2helpU.com](http://www.2helpU.com)

**Aküler**

STANLEY aküleri defalarca yeniden şarj edilebilir. Hizmet ömürlerinin sonunda, aküleri çevremize gerekli özeni göstererek atın:

- Aküyü bitene kadar aleti çalıştırın, sonra aletten çıkartın.
- NiCd, NiMH ve Li-Ion aküler geri dönüşümlüdür. Aküleri yetkili servise veya yerel toplama merkezine teslim edin.

**NOTLAR**

STANLEY olarak, ürünlerimizi sürekli iyileştirme politikası uyguladığımızdan, önceden haber vermeden ürün özelliklerini değiştirme hakkını saklı tutarız. Standart ekipman ve aksesuarlar ülkeye göre değişebilir. Ürün özellikleri ülkelere göre farklı olabilir. Komple ürün çeşidi tüm ülkelerde geçerli olmayabilir. Ürün çeşidi durumu hakkında lütfen en yakın STANLEY yetkili servisiyle temas kurun

**SERVİS BİLGİLERİ**

STANLEY, kendisine ait ve yetkili servisler ile tam bir servis ağı sunmaktadır. Tüm STANLEY Servis Merkezleri müşterilere etkili ve güvenilir elektrikli el aleti hizmeti sunmak için eğitimli personel ile donatılmıştır. Yetkili servis merkezlerimiz hakkında daha fazla bilgi almak istiyorsanız veya teknik danışmanlık, onarım ya da orijinal fabrika yedek parçası

ihtiyacınız varsa, size en yakın STANLEY satış noktasına başvurun.

**TEKNİK ÖZELLİKLERİ****SCH121**

Volтаж	V <sub>DC</sub>	12V Max
Yüksüz hızı	min <sup>-1</sup>	0-400/0-1500
Darbe oranı	min <sup>-1</sup>	0-6000/0-22500
Maks.tork	Nm	26
Mandren kapasitesi	mm	10
Maksimum delme kapasitesi:		
Ahşap	mm	20
Metal	mm	10
Beton	mm	8

**ŞARJ CİHAZI****SC122**

Giriş voltajı	V <sub>AC</sub>	220-240
Çıkış voltajı	V <sub>DC</sub>	22
Çıkış akımı(DC)	A	1.25
Yaklaşık şarj süresi	d ak	70(1.5Ah)

**AKÜ****SB12**

Volтаж	V <sub>DC</sub>	12V
Kapasite	Ah	1.5
Akü		Li-Ion

**EN 60745'e göre ses basıncı düzeyi:**

Ses basıncı (L <sub>PA</sub> )	dB(A)	82
Belirsizlik (K <sub>PA</sub> )	dB(A)	3
Akustik güç (L <sub>WA</sub> )	dB(A)	93
Belirsizlik (K <sub>WA</sub> )	dB(A)	3

**Titreşim emisyon değeri a<sub>n</sub>:**

(a <sub>n</sub> ) <sub>S</sub> =	m/s <sup>2</sup>	0.5
Belirsizlik (K) =	m/s <sup>2</sup>	1.5
(a <sub>n</sub> ) <sub>D</sub> =	m/s <sup>2</sup>	1.0
Belirsizlik (K) =	m/s <sup>2</sup>	1.5
(a <sub>n</sub> ) <sub>ID</sub> =	m/s <sup>2</sup>	11.7
Belirsizlik (K) =	m/s <sup>2</sup>	1.5

## TİTREŞİM

Teknik veriler ve uygunluk beyanatı içerisinde belirtilen titreşim emisyon değerleri EN60745 tarafından belirlenen standart bir test yöntemine uygun olarak ölçülmektedir ve diğer bir aletle karşılaştırma yaparken kullanılabilir. Beyan edilen titreşim emisyon değeri aynı zamanda maruz kalmanın önceden değerlendirilmesinde de kullanılabilir.



**UYARI!** Elektrikli aletin mevcut kullanımı sırasındaki titreşim emisyon değeri, aletin kullanım yöntemine bağlı olarak, beyan edilen değere göre farklılık sergileyebilir. Titreşim düzeyi belirlenen seviyenin üzerinde artış gösterebilir.

İşyerinde düzenli olarak elektrikli alet kullanan çalışanları korumak amacıyla 2002/44/EC tarafından getirilen elektrik güvenliği önlemlerini belirlemek üzere titreşime maruz kalmayı değerlendirirken, çalışma döngüsü içerisinde örneğin aletin kapalı olduğu ve aktif durumda olmasının yanı sıra boşta çalıştığı zamanlar gibi, bütün zaman dilimleri dahil olmak üzere mevcut kullanım durumu ve aletin kullanım şekli göz önünde bulundurularak değerlendirilmelidir.

### **AT Uygunluk Beyanatı** MAKİNE DİREKTİFİ



### **SCH121 - Darbeli Matkap/Tornavida**

STANLEY, «teknik özellikleri» bölümünde açıklanan bu ürünlerin aşağıda belirtilen yönergelere uygun olduğunu beyan eder: 2006/42/EC, EN 60745-1:2009 + A11:2010, EN 60745-2-1:2010 EN 60745-2-2:2010

Bu ürünler ayrıca 2014/30/EU ve 2011/65/EU Direktiflerine de uygundur. Daha fazla bilgi için, lütfen aşağıdaki adresten STANLEY ile irtibata geçin veya kılavuzun arkasına bakın.

Bu belge altında imzası bulunan yetkili, teknik dosyanın derlenmesinden sorumludur ve bu beyanı STANLEY adına vermiştir.

**R.Laverick**

Mühendislik Bölümü Müdürü  
STANLEY, Europe, Egide Walschaertsstraat 14-18,  
2800 Mechelen, Belçika  
01.2016

## İKİ YIL GARANTİ

Sahip olduğunuz STANLEY ürünü satın alma tarihinden itibaren 24 ay içinde hatalı malzeme veya işçilik nedeniyle bozulursa, STANLEY aşağıdaki şartlara uyulması koşuluyla ücretsiz olarak tüm kusurlu parçaların yenilenmesini veya -kendi inisiyatifine bağlı olarak- satın alınan ürünün değiştirilmesini garanti eder:

- Ürün, hatalı kullanılmamış kullanım kılavuzuna uygun kullanılmıştır;
- Ürün yıpranmamış, hırpalanmamış ve aşınmamıştır;
- Yetkili olmayan kişilerce tamire çalışılmamıştır;
- Satın alma belgesi (fatura) ibraz edilmiştir;
- STANLEY ürünü, tüm orijinal parçaları ile birlikte iade edilmiştir;
- Ürün kiralama amacıyla kullanılmamıştır.

Garanti talebinde bulunmak için, lütfen satıcıyla irtibata geçin veya STANLEY katalogunda belirtilen size en yakın STANLEY yetkili satıcı adresini kontrol edin veya ürünün kılavuzunda belirtilen adresteki yerel STANLEY yetkili tamir servisi ile temas kurun. İnternet'ten STANLEY yetkili tamir servislerinin listesine ve satış sonrası hizmetlerimizle ilgili tüm bilgilerine aşağıdaki siteden ulaşabilirsiniz: [www.2helpU.com](http://www.2helpU.com)

Sanayi ve Ticaret Bakanlığı tebligince kullanım ömrü 7 yıldır.

Türkiye Distribütörü

**STANLEY BLACK&DECKER TURKEY ALET ÜRETİM SAN.  
TIC. LTD.STI. AND Kozyatağı**

İçerenköy Mahallesi Umud Sokak  
No:10-12 Kat :19 Ataşehir / İstanbul  
Tel : (0216) 665 29 00  
Faks : (0216) 665 29 01  
E-posta: [HYPERLINK \"mailto:info-tr@sbdinc.com\"](mailto:HYPERLINK \)  
info-tr@sbdinc.com

البطارية	SC22
الفلطية.	12
السعة	1.5
النوع:	أيونات الليثيوم

## ضمان سنة اثنان

إذا وجد في منتج ستانلي عيب تصنيع أو خامات في غضون 24 شهراً من تاريخ الشراء، تضمن لك ستانلي استبدال جميع الأجزاء المعيبة أو استبدال الوحدة مجاناً وفق تقديرنا المطلق شريطة:

- عدم إساءة استخدام المنتج ووجوب استخدامه وفقاً لدليل التعليمات؛
- عدم تعرض المنتج للبلل والإهلاك العادي؛
- عدم محاولة إصلاح المنتج عن طريق أشخاص غير معتمدين.
- تقديم سند إثبات الشراء؛
- إعادة منتج ستانلي كاملاً مع جميع المكونات الأصلية؛
- عدم استخدام المنتج لأغراض التأجير.

إذا كنت ترغب في المطالبة بالضمان، اتصل ببائعك أو خقق من موقع أقرب وكيل إصلاح معتمد لستانلي أو اتصل على مكتب ستانلي المحلي على العنوان المشار إليه في هذا الدليل. كما يمكن الحصول على قائمة بوكلاء الإصلاح المعتمدين من ستانلي وبياناتهم الكاملة لخدمات ما بعد البيع على موقع الإنترنت: [www.2helpU.com](http://www.2helpU.com).

النطاق الكامل للمنتج متوفرًا في كل البلدان. اتصل بوكيل STANLEY المحلي لديك للتحقق من نطاق التوفر.

### معلومات الخدمة

توفر شركة ستانلي شبكة كاملة من مراكز الخدمة المملوكة من قبل الشركة والمعتمدة. وتعتبر كافة مراكز خدمة ستانلي مجهزة بكوادر مدربة لتزويد العملاء بخدمة فعالة وموثوقة للأجهزة. لمزيد من المعلومات عن مراكز الخدمة المعتمدة لدينا وإذا كنت بحاجة لمشورة فنية أو صيانة أو قطع غيار أصلية من المصنع. اتصل بأقرب موقع لستانلي.

### البيانات الفنية

#### SCH121

الفلطية.	فلط تيار مباشر	12V Max
سرعة اللاحمل	1 <sup>أ</sup> لفة في الدقيقة	0-1500 /0-400
تقييم الأثر	1 <sup>أ</sup> لفة في الدقيقة	0-22500 /0-6000
العزم الأقصى	نيوتن متر	26
سعة الفايض	ملم	10
<b>سعة الحفر القصوى:</b>		
الخشب	ملم	20
العدن	ملم	10
الخرسانة	ملم	8

#### SC122

فلطية الدخل	فلط تيار متناوب	220-240
فلطية الخرج	فلط تيار مباشر	22
تيار الخرج (تيار مباشر)	أمبير	1.25
زمن الشحن الأقصى	دقيقة	70(1.5 أمبير ساعة)

#### SB12

الفلطية.	فلط تيار مباشر	12
السعة	أمبير ساعة	1.5
النوع:	أيونات الليثيوم	



**تحذير:** لا تستخدم مطلقًا أي منظفات أو مواد كيميائية حكاكة لتنظيف الأجزاء غير المعدنية من الأداة. هذه المواد الكيميائية يمكن أن تتسبب في إضعاف المواد المستخدمة في هذه الأجزاء. استخدم قطعة قماش مبللة بالماء وسائل صابوني مخفف فقط. لا تترك السائل مطلقًا وينسرب إلى داخل الأداة. ولا تعمر أي من أجزائها في السائل.

### تعليمات تنظيف الشاحن

**تحذير:** خطر التعرض لصدمة. افصل الشاحن عن مخرج التيار الكهربائي قبل التنظيف. الاتساخات والشحوم يمكن إزالتها من على الشاحن من الخارج باستخدام قطعة قماش أو فرشاة ناعمة غير معدنية. لا تستخدم الماء أو أي محاليل تنظيف.

### الملحقات

**تحذير!** نظرًا لأن الملحقات غير تلك المزودة بواسطة ستانلي لم تختبر مع هذا المنتج. يمكن أن يكون استخدام هذه الملحقات مع هذه الأداة خطرًا. لتقليل خطر الإصابة. يجب استخدام ملحقات ستانلي الموصى بها فقط مع هذا المنتج. استشر الوكيل للحصول على المزيد من المعلومات بشأن الكماليات المناسبة.

### حماية البيئة

فرز النفايات. يجب عدم وضع هذا المنتج مع النفايات المنزلية العادية.



إذا وجدت في يوم ما أنك بحاجة إلى استبدال منتج ستانلي. أو إذا لم تعد بحاجة إلى استخدامه. فلا تتخلص منه مع النفايات المنزلية. وقم بإتاحته للفرز.

يتيح فرز المنتجات المستخدمة وتغليفها بإعادة تدوير المواد واستخدامها مرة أخرى. حيث يساعد إعادة استخدام المواد المعاد تدويرها في منع التلوث البيئي ويقلل من الطلب على المواد الخام.



يمكنك التحقق من موقع أقرب وكيل إصلاح معتمد من خلال الاتصال بكتب ستانلي المحلي على العنوان المشار إليه في الدليل. وبدلاً من ذلك، توجد قائمة بوكلاء الإصلاح المعتمدين من ستانلي وبياناتهم الكاملة خدمات ما بعد البيع وبيانات اتصالاتهم على موقع الإنترنت: [www.2helpU.com](http://www.2helpU.com)

### البطاريات

علبة البطارية طويلة العمر الافتراضي هذه يجب أن يتم إعادة شحنها إذا ما تعذر عليها إنتاج القدر الكافي من الطاقة في المهمات التي سبق أن يتم إنجازها بسهولة. في نهاية عمرها التقني الافتراضي تخلص منها مع مراعاة النقاط البيئية جيداً.

- أفرغ البطارية تماماً ثم أخرجها من الجهاز.
- بطاريات أيونات الليثيوم يمكن إعادة تدويرها. جمعها إلى الوكيل أو محطة إعادة التدوير المحلية. علب البطارية المجمعة سوف يتم إعادة تدويرها أو التخلص منها بالشكل المناسب.

### ملاحظات

تعتمد سياسة شركة STANLEY على التحسين المستمر لمنتجاتنا. ومن ثم فإننا نحافظ بحق إجراء أي تعديلات على خصائص المنتج بدون إشعار مسبق. التجهيزات والملحقات المعيارية يمكن أن تتباين من بلد لآخر. مواصفات المنتج يمكن أن تتباين من بلد لآخر. يمكن ألا يكون مدى

## تثبيت القابض (الشكل G)

بالإضافة قابض اللقم). هام: استخدم لقم كربيدية أو الخاصة بالألانية فقط.

3. انقب مع أعمال القوة الكافية على المطرقة لمنعها من الارتداد المفرط أو "ارتفاع" اللقمة. سوف تتسبب القوة المفرطة في خفض سرعات الثقب وزيادة سخونة وتقليل معدل الثقب.

4. انقب بشكل مستقيم. وحافظ على اللقمة في الزوايا الصحيحة للعمل.

لا تمارس ضغطًا جانبيًا على اللقمة عند الثقب حيث سيسبب ذلك انسدادًا في أخاديد اللقمة وخفض سرعة الثقب.

5. عند حفر ثقوب عميقة. إذا بدأت سرعة المطرقة في الانخفاض. اسحب اللقمة جزئيًا خارج الثقب مع الاحتفاظ بالأداة قيد التشغيل للمساعدة على تنظيف الحطام من اللقمة.

ملاحظة: يشير تدفق الغبار ونعومته من الحفرة إلى معدل الثقب السليم.

## التشغيل كمفتاح

اختر نطاق السرعة/العزم المرغوب باستخدام مرحل النقرات مزدوج النطاق الموجود أعلى الأداة لمواءمة السرعة والعزم مع العملية المعنية.

أدخل قطعة كماليات التثبيت المرغوبة في القابض إذا ما أردت عمل أية فجوة. قم بالتدريب قليلًا في قطعة خردة أو في مناطق غير مرتينة لتحديد الوضع المناسب لياقة القابض.

## الساعات القصوى الموصى بها

النطاق المنخفض 1-	النطاق العالي 2-
الأظرف. حفر المعادن 6.00 ملم	3.00 ملم
الخشب الحفر للمستوي 19.00 ملم	12.00 ملم
المناشير الجوفة 19.00 ملم	16.00 ملم
بناء بالطوب 8.00 ملم	

## الصيانة

الأداة الكهربائية الخاصة بك من STANLEY مخصصة لتعمل لفترة زمنية طويلة وهي ختاج إلى الحد الأدنى من الصيانة. الحصول على أداء تشغيل مرضي مستمر هو أمر يعتمد على العناية المناسبة بالأداة والتنظيف المستمر.

تحذير: لغرض تقليل معدل وقوع الإصابات الشخصية البالغة. فانقل زر التقديم/ الإرجاع إلى وضع القفل أو أطفئ الأداة وأفضل علبة البطارية قبل إجراء أية عمليات ضبط أو فك/ تثبيت للكماليات أو المرفقات. بدء التشغيل بشكل غير مقصود يمكن أن يؤدي إلى وقوع إصابات.

الشاحن وعلبة البطارية أجزاء لا تحتاج لصيانة. لا توجد أجزاء ختاج لصيانة بالداخل.

## التشحيم

أداتك الكهربائية لا تحتاج إلى تشحيم إضافي.



## التنظيف



تحذير: قم بنفخ الاتساخات والغبار من على العلبة الرئيسية باستخدام الهواء الجاف طالما أنه هناك اتساخات لا تزال متجمعة في منافذ الهواء وحولها. ارتد واقية العينين والعمدة وقناع الغبار المصحح به عند القيام بهذه العملية.



اربط القابض باليد بقدر الإمكان. ثم أدخل البرغي (اللولب الأيسر). أحكم ربط البرغي بأمان. أحكم ربط القابض حول الطرف الأقصر بما يعادل 6.35 ملم (1/4 بوصة) أو مقياسًا أكبر للمفتاح السداسي (غير مورد). باستخدام قطعة خشبية أو ما شابه اضرب على الطرف الطويل في اتجاه عقارب الساعة. بالشكل الموضح. أحكم ربط البرغي مرة أخرى بإدارته في عكس اتجاه عقارب الساعة.

## وضع الحفر



تحذير: لغرض تقليل خطر التعرض لإصابات شخصية خطيرة. فأطفئ الأداة وأفضلها عن مصدر الطاقة قبل الشروع في إجراء أي تعديلات أو فك/تثبيت مرفقات أو ملحقات تكميلية.



تحذير: لغرض تقليل مخاطر التعرض لإصابات شخصية. فأحرص دائمًا على تأمين قطعة الشغل من خلال تثبيتها أو زلقها بإحكام. عند الحفر في مادة رقيقة فاستخدم قطعة "زلق" خشبية منعا للإضرار بالقطعة.

أدر الباقة إلى رمز ظرف الحفر للقيام بالحفر. اختر نطاق السرعة/العزم المرغوب باستخدام مرحل النقرات لمواءمة السرعة والعزم مع العملية المعنية.

لا تستخدم إلا أظرف الحفر الحادة. عند العمل على أحشاب فاستخدم أظرف الحفر الملتوية أو أظرف الجاروف أو المناشير

الجوفة. عند العمل على معادن فاستخدم أظرف الحفر الملتوية الصلب عالية السرعة HHS أو المناشير الجوفة.

أحرص دائمًا على ممارسة الضغط في خط مستقيم مع الظرف. استخدم القدر الكافي من الضغط للاستمرار في الحفر لكن لا تدفع بقوة تؤدي إلى زلق الحرك أو الإضرار بالظرف.

أمسك الأداة بإحكام بكلتا يديك للتحكم في عملية لف الحفار.

تحذير: الحفار يمكن أن يتعرض للزلق إذا ما تم الإفراط في التحميل عليه متسببًا في حدوث التواء مفاجيء. توقع حدوث الزلق دائمًا. أمسك الحفار بإحكام بكلتا اليدين للتحكم في عملية الالتواء وجنب التعرض للإصابة.

إذا ما تعرض الحفار للزلق. فسوف يكون ذلك أمرًا عاديًا. لأن هذا يكون دليلًا على تعرضه لحمل مفرط أو استخدامه بشكل غير مناسب. حرر مفتاح التفعيل على الفور. اخلع ظرف الحفر من قطعة الشغل وحدد سبب الزلق. لا تشغل أو تطفئ مفتاح التفعيل في محاولة لبدء تشغيل الحفار المزلق - يمكن أن يؤدي ذلك إلى الإضرار بالحفار.

لتقليل إمكانيات الزلق أو الكسر في قطعة الشغل فقلل الضغط الواقع على الحفار وقم بتيسير عمل الظرف من خلال الجزء الكسري الأخير في الفجوة.

اترك الحرك يدور عند سحب ظهر الظرف خارج الفجوة المحفورة. ومن شأن ذلك أن يمنع الاحتشار.

بالاستعانة بالحفارات متنوعة السرعات فليست هناك حاجة إلى وسطنة السنك في النقطة المراد حفرها. استخدم سرعة منخفضة لبدء عمل الحفرة وقم بالتسارع من خلال الضغط على مفتاح التفعيل بشكل أقوى عندما تكون الحفرة عميقة بالقدر الكافي للحفر دون خروج الظرف.

## عملية الثقب بالمطرقة (الشكل D)

1. أدر الحلقة (9) إلى رمز الثقب بالمطرقة.  
2. اختر إعداد السرعة العالية بواسطة زلق زر التحديد إلى الأمام

لاختيار سرعة منخفضة أو وضع ضبط عزم عال فأطرفي الأداة وحاول أن توقفها. قم بإزاحة مرحل النقلات (4) إلى الأمام (إجاه القابض). لاختيار سرعة عالية أو وضع ضبط عزم منخفض فأطرفي الأداة وحاول أن توقفها. قم بإزاحة مرحل النقلات إلى الوراء (بعيداً القابض).  
ملاحظة: لا تغير تروس التوجيه أثناء عمل الجهاز. إذا كنت تواجه متاعب في تغيير تروس التوجيه. تأكد أن زر النطاق الثنائي إما مضغوط كلياً نحو الأمام أو الخلف.

### مصباح العمل LED

عندما يعمل المثقاب عن طريق الضغط على زناد التشغيل (1). سوف يضيء مصباح العمل (8) LED. منطقة العمل لتفانيباً

ملاحظة: يعمل مصباح العمل لإضاءة سطح العمل الحالي وليس مخصصاً للاستعمال كمصباح يدوي.

### المقبض بدون مفتاح (شكل E)

الأداة الخاصة بك عبارة عن قابض بدون مفاتيح مزود بجلبة واحدة مستديرة لغرض التشغيل بيد واحدة. لإدخال طرف حفر واحد أو أية قطعة كيمياليات أخرى. اتبع هذه الخطوات.

1. أغلق قفل التشغيل بالشكل سابق التوضيح.

2. أمسك بظهر جلبة القابض بيد واحدة واستخدم اليد الأخرى لتأمين الأداة. قم بتدوير الجلبة في عكس اتجاه عقارب الساعة بالقدر الكافي الذي يسمح بقبول قطعة الكيمياليات المرغوبة.

3. أدخل قطعة الكيمياليات لمسافة 19 ملم تقريباً (3/4 بوصة) في داخل القابض. وأحكامها بأمان من خلال تدوير جلبة القابض في اتجاه عقارب الساعة بيد واحدة مع تثبيت الأداة باليد الأخرى. الأداة مزودة بألية قفل أوتوماتيكية. من شأنها أن تتيح لك إمكانية فتح وعلق القابض بيد واحدة.

لغرض تحرير قطعة القفل كمر الخطوة 2 أعلاه.

تحذير: لا تحاول إحكام أطرف الحفر (أو أية كيمياليات أخرى) من خلال القبض على الجزء الأمامي من القابض وتشغيل الأداة. يمكن أن تكون النتيجة تعرض القابض لأضرار أو حدوث إصابات شخصية. قم دائماً بقتل مفتاح التشغيل عند تغيير الكيمياليات.



تحقق من إحكام ربط القابض بيد واحدة على جلبة القابض واليد الأخرى مسكة بالأداة لتحقيق قدرة الإحكام القصوى.

### خلع القابض (الشكل F)

قم بإدارة باقة الضبط إلى وضع "الحفر" ومرحل النقلات إلى الوضع 1 (سرعة منخفضة). أحكم ربط القابض حول الطرف الأقصر من المفتاح السداسي (غير مزود) بما يعادل 6.35 ملم (1/4 بوصة) أو مفاًساً أكبر. باستخدام قطعة خشبية أو ما شابهه اضرب على الطرف الطويل في اتجاه عقارب الساعة. بالشكل الموضح. ومن شأن ذلك أن يعمل على تحرير البرغي داخل القابض.

افتح فكي القابض تماماً. وأدخل المفك (أو أداة التورسك إذا لزم الأمر) في مقدمة القابض بين الفكين لغرض توصيل رأس البرغي. اخلع البرغي بإدارة في اتجاه عقارب الساعة (اللولب الأيسر). ضع المفتاح السداسي في القابض وأحكام ربطه. بالشكل الموضح في الشكل

F. باستخدام قطعة خشبية أو ما شابهه اضرب على المفتاح بشدة في عكس اتجاه عقارب الساعة. ومن شأن ذلك أن يؤدي إلى تحرير القابض. بالشكل الذي يتعدى معه فك البرغي باليد.

### اختيار اتجاه الدوران (الشكل D)

لإحكام الربط. استخدم الدوران الأمامي (في اتجاه عقارب الساعة). للمفك. استخدم الدوران الخلفي (في اتجاه عكس عقارب الساعة).

• لاختيار وضع الدوران للأمام. ادفع الزر الانزلاقي للأمام/الخلف (2) إلى الجانب الأيسر.

• لاختيار وضع الدوران العكسي. ادفع الزر الانزلاقي للأمام/الخلف إلى الجانب الأيمن.

• لقتل الأداة. اضبط وضع الزر الانزلاقي للأمام/الخلف على الوضع الأوسط.

• عند تغيير موضع زر التحكم. تأكد من تحرير مفتاح التشغيل.

### مفتاح التشغيل (الشكل A)

لغرض تشغيل الأداة فاضغط على مفتاح التشغيل (1). لغرض إطفاء الأداة فحمر مفتاح التشغيل. أدائك مزودة بمكبج. القابض سوف يتوقف عند التحرير الكامل لمفتاح التشغيل.

مفتاح السرعات المتغيرة يتيح لك إمكانية اختيار السرعة الأفضل لتنفيذ أي تطبيق خاص. بزيادة الضغط على زر التشغيل تزداد سرعة عمل الأداة. لغرض تحقيق أقصى عمر افتراضي للأداة فاستخدم مفتاح السرعة المتغيرة فقط لبدء عمل ثقوب أو المشابك.

ملحوظة: لا ينصح بمواصلة الاستخدام في نطاق السرعة المتغيرة. فيمكن أن يؤدي ذلك إلى الإضرار بالمفتاح وهو ما يتعين أن يتم تجنبه.

### زر التحكم في التقييد/الإرجاع (الشكل A)

يحدد زر التحكم للأمام/للخلف (2) الإجاه الدوراني للجهاز ويعمل كزر قفل. لاختيار التدوير الأمامي. حرر الزناد واضغط على زر التحكم للأمام/للخلف على الجهة اليمنى من الجهاز.

اختيار التدوير الخلفي. حرر الزناد واضغط على زر التحكم للأمام/للخلف على الجهة اليسرى من الجهاز. يعمل الوضع الأوسط لزر التحكم على ضبط الجهاز في وضع القفل. عند تغيير وضع زر التحكم. تأكد أن الزناد محرر.

ملحوظة: في أول مرة يتم فيها تشغيل الأداة بعد تغيير اتجاه الدوران. يمكن أن تسمع صوت كليك عند البدء. وهذا أمر عادي ولا يشير إلى وجود مشكلة.

### ضوء التشغيل LED

توجد لمبة عمل (8) LED موجودة أسفل باقة ضبط العزم (3). سوف يتم تفعيل لمبة العمل عند الضغط على مفتاح التشغيل.

ملاحظة: ضوء التشغيل مخصص لإنارة منطقة العمل المباشرة وليس مصمماً كضوء كشفاء.

### باقة ضبط العزم (الشكل A و D)

باقة ضبط العزم (3) تكون مميزة بشكل واضح بعلامات ورمز طرف الحفر. يتعين أن يتم الاستمرار في تدوير الباقة. إلى أن يصبح وضع الضبط المرغوب في أعلى الأداة. محددات الوضع موجودة في الباقة للتخلص من أعمال التخمين عند اختيار عزم التثبيت. بزيادة الرقم الموضح على الباقة يزيد العزم ويزداد حجم المثبت الذي يمكن أن يتم دفعه. لغرض قفل القابض لتحقيق عمليات الحفر فانقل إلى موضع طرف الحفر.

ملحوظة: عند استخدام حفار/مطرقة لعمل ثقوب. فتتحقق من أن باقة ضبط العزم مضبوطة وفقاً لشكل الحفار ومحاذية للخط الأوسط أعلى الأداة. أي تقصير في القيام بذلك سوف يتيح إمكانية انزلاق القابض عند محاولة الحفر.

### مرحل النقلات (الشكل A و D)

تسمح لك ميزة النطاق الثنائي بتغيير تروس التوجيه لمزيد من السمة العملية.



1. الشحن الجوي لأكثر من بطاريتي أيون الليثيوم نوع ستانلي عندما تتضمن العبوة بطاريات فقط (بدون أجهزة) و

2. أي شحنة تتضمن بطارية أيون الليثيوم بتصنيف طاقة أعلى من 100 واط ساعة (و.س). خُمّل جميع بطاريات أيون الليثيوم بتصنيف الواط ساعة على العبوة.

وبغض النظر عن اعتبار الشحنة مستثناة أو منظمة بالكامل. فإن من مسؤولية الشاحن مراجعة أحدث الأنظمة الخاصة بالتعبئة وتسمية/تمييز ومتطلبات التوثيق.

يمكن أن يسبب نقل البطاريات حرقاً إذا تلامست أطراف البطاريات مع المواد الموصلة. احرص عند نقل البطاريات. تأكد أن أطراف البطارية محمية ومعوذولة جيداً عن المواد التي قد تتلامس معها وتسبب انقطاع التيار

تم تزويد المعلومات المذكورة في هذا الجزء من الدليل بحسن نية ويعتقد أنها دقيقة خلال إنشاء هذه الوثيقة. رغم ذلك، لا تقدم أية ضمانات صريحة أو ضمنية. إن من مسؤولية المشتري ضمان أن أنشطته تتوافق مع الأنظمة المطبقة.

## وحدة البطارية

### نوع البطارية

يعمل SCH121 ببطارية 12 فولط.

### توصيات التخزين

1. يمتاز أفضل مكان للتخزين ببرودته وجفافه وبعده عن أشعة الشمس المباشرة والحرارة أو البرودة المفرطة. للحصول على أفضل أداء وعمر للبطارية. خزن البطاريات عند درجة حرارة الغرفة في حال عدم الاستعمال.

2. وفيما يخص التخزين الطويل. يوصى بتخزين البطارية المشحونة كلياً في مكان بارد وجاف خارج الشاحن من أجل أفضل النتائج.

**ملاحظة:** يجب تخزين البطاريات بدون شحن. يجب إعادة شحن البطارية قبل الاستعمال.

## المصقات على الشاحن والبطارية

إضافة إلى الصور التوضيحية المستخدمة في هذا الدليل. قد تعرض للمصقات على الشاحن والبطارية الصور التالية:

اقرأ دليل التعليمات قبل الاستخدام.

انظر البيانات الفنية لوقت الشحن.

شحن البطارية.

بطارية مشحونة.

البطارية غير صالحة.

التأجيل بسبب سخونة/برودة البطارية.

لا تختبر مواد موصلة.



لا تقم بشحن البطاريات المنضرة.



لا تعرضها للماء.



استبدل الأسلاك التالفة فوراً.



اشحن فقط بين 4 و40 درجة مئوية.



للاستخدام الداخلي فقط.



تخلص من البطارية بعناية واجبة للبيئة.



اشحن بطاريات ستانلي بشواحن ستانلي المخصصة فقط. قد يؤدي شحن بطاريات غير بطاريات ستانلي مع شاحن ستانلي إلى انفجارها أو إلى أوضاع خطيرة أخرى.



لا تحرق البطارية.



## التركيب والتعديلات

**تحذير:** انزع البطارية قبل التركيب والتعديل دائماً. قم بإيقاف الجهاز دائماً قبل تركيب البطارية أو نزعها.

**تحذير:** استخدم بطاريات وشواحن ستانلي فقط.

### تركيب ونزع البطارية من الجهاز (شكل C)

**تحذير:** لتقليل خطر الإصابة الشخصية الجسيمة، اضبط زر الأمام/الخلف في وضع القفل أو أوقف الجهاز وأفضل البطارية قبل إجراء أية تعديلات أو فك/تركيب القطع أو الملحقات. يمكن أن يتسبب التشغيل العرض بالإصابات.

**ملاحظة:** تأكد أن البطارية (7) مشحونة بالكامل.

### لتركيب البطارية في مقبض الجهاز

1. حاذي البطارية مع السكك داخل المقبض.
2. ركبها في مكانها برفق حتى تسمع صوت انطراق القفل في مكانه.

### لنزع البطارية من مقبض الجهاز

1. اضغط على زر التحرير (6) واسحب البطارية خارج مقبض الجهاز.
2. ركب البطارية في الشاحن كما هو موضح في قسم الشاحن من هذا الدليل.

## تعليمات التشغيل

### الوضع اليدوي المناسب (الشكل A و H)

**تحذير:** لغرض تقليل مخاطر التعرض لإصابات شخصية بالغة، فاحرص دائماً على استخدام الوضع اليدوي المناسب بالشكل الموضح.

**تحذير:** لغرض تقليل مخاطر التعرض لإصابات شخصية بالغة.

فاحرص دائماً على اتخاذ وضعية آمنة للتعامل مع أي رد فعل مفاجيء. الوضع اليدوي المناسب يتطلب أن تكون يدك على المقبض الأساسي (9).



تحذيراً قبل التجميع. احرص على إزالة البطارية من الأداة.

إجراء الشحن (الشكل B)

- أوصل الشاحن (10) في مأخذ مناسب قبل إدخال البطارية.
  - أدخل البطارية (7) في الشاحن. يومض ضوء (الشحن) الأحمر باستمرار بما يشير إلى بدء عملية الشحن.
  - تتم الإشارة إلى استكمال الشحن ببقاء الضوء الأحمر متقد باستمرار. تكون علب البطارية مشحونة بالكامل ويمكن استخدامها أو تركها على الشاحن.
- ملاحظة: لضمان أقصى أداء وعمر لبطاريات ليثيوم أيون اشحن علب البطارية كلياً قبل الاستخدام الأول.

حالة الشحن	SC122
جار الشحن	ميض أخضر
مشحون بالكامل	ضوء أخضر
بطارية ساخنة/ باردة	وميض أحمر
بطارية تالفة	ضوء أحمر

### تأجيل سخونة/برودة علب البطارية

لدى شاحن SC122 خاصية تأجيل السخونة/ البرودة عندما يستشعر الشاحن أن البطارية ساخنة. يؤخر الشحن تلقائياً حتى تبرد البطارية. عندما يستشعر الشاحن أن البطارية باردة، يؤخر الشحن تلقائياً حتى تسخن البطارية. سوف يستمر المصباح الأحمر بالوميض ولا يمكن بدء عملية الشحن. بمجرد أن تبرد البطارية، سوف يستكمل الشاحن إجراءات الشحن.

### بطارية تالفة

يمكن الشاحن اكتشاف بطارية ضعيفة أو تالفة. سوف يومض مؤشر LED الأحمر بالنمط المشار إليه في البطاقة. في حال رؤيتك لنمط ووميض البطارية التالفة هذا، لا تستمر في شحن البطارية. أعدها إلى مركز الصيانة أو موقع جميع إعادة التدوير.

### نظام الحماية الإلكترونية

صُممت بطاريات ليثيوم أيون STANLEY بنظام حماية إلكترونية لحماية البطارية من الحمل الزائد أو السخونة الزائدة أو التفريغ العميق. سوف يتوقف تشغيل الأداة تلقائياً إذا تعشق نظام الحماية الإلكترونية، في حالة حدوث هذا. ضع بطارية ليثيوم أيون في الشاحن حتى تُشحن بالكامل.

### تعليمات هامة للسلامة لجميع البطاريات

عند طلب بطاريات جديدة. احرص على إدراج رقم الكatalog والفولطية.

لا تكون البطارية مشحونة بالكامل عندما تكون في عبوتها.

اقرأ تعليمات السلامة أدناه قبل استخدام البطارية والشاحن. ثم اتبع إجراءات الشحن الموضحة.

- لا تشحن أو تستخدم البطارية في أجواء انفجارية. مثلاً في وجود سوائل أو غازات أو أتربة قابلة للاشتعال. قد يؤدي إدخال أو نزع البطارية من الشاحن إلى إشعال الأتربة أو الأبخرة.
- لا تحم البطارية في الشاحن بقوة. لا تعدل البطارية بأية طريقة لكي تتطابق مع شاحن غير متوافق فقد تنفجر البطارية مسببة إصابة شخصية خطيرة.
- اشحن البطارية في شواحن ستانلي فقط.
- لا ترش عليها الماء أو تغمرها فيه أو في سائل أخرى.
- لا تخزن أو تستخدم الجهاز والبطارية في أماكن قد تصل فيها درجة الحرارة أو تتجاوز 40 مئوية (105 فهرنهايت) (مثل السقائف الخارجية أو البناي المعدنية في الصيف).



تحذير: لا تحاول مطلقاً فتح البطارية لأي سبب. إذا تصدعت علب البطارية أو تضررت، لا تدخلها في الشاحن. لا تسحق البطارية أو تسقطها أو تلتفها. لا تستخدم البطارية أو الشاحن الذي تعرض لضربة حادة أو سقوط أو دهس أو تلف بأي طريقة (أي ثقب بواسطة مسمار، الضرب بمطرقة أو الدوس). فقد ينتج عن ذلك صدمة كهربائية أو القتل بالكهرباء. يجب إعادة البطاريات التالفة إلى مركز الخدمة لإعادة التدوير.



احترس: في حال عدم استخدام الجهاز، ضعه على جانبه على سطح مستقر حيث لن يتسبب بخطر التعثر أو السقوط. تقف بعض الأجهزة ذات البطاريات الكبيرة رأسياً على البطارية لكن قد يسهل إسقاطها.

### تعليمات السلامة المحددة أيون الليثيوم (Li-Ion)

- لا خرق البطارية حتى إذا كانت متضررة كثيراً أو مهترئة كلياً. يمكن أن تنفجر البطارية في الحريق. تولد الأبخرة والمواد السامة عند احتراق بطاريات أيون الليثيوم.
- إذا تلامست محتويات البطارية مع الجلد، اغسل المنطقة فوراً بالصابون المعتدل والماء. إذا وصل سائل البطارية إلى العين، اشطف العين المفتوحة بالماء لمدة 15 دقيقة إلى أن يتوقف التهيج. وإذا كانت هناك حاجة لعناية طبية، فإن محلول البطارية يتألف من مزيج من الكربونات العضوية السائلة وأملاح الليثيوم.
- قد تتسبب محتويات خلايا البطارية المفتوحة بتهيج تنفسي. وفر الهواء المتجدد. إذا استمرت الأعراض، اطلب العناية الطبية.



تحذير: خطر الاحتراق. يمكن أن يصبح سائل البطارية سريع الاشتعال إذا تعرض للشرار أو اللهب.

### النقل

تتوافق بطاريات ستانلي مع جميع أنظمة الشحن الطبقة وفق المعايير الصناعية والقانونية التي تتضمن توصيات الأمم المتحدة حول نقل البضائع الخطرة. أنظمة البضائع الخطرة للائحة الدولي للنقل الجوي (ATA). والأنظمة الدولية البحرية للبضائع الخطرة (MDG). والاتفاقية الأوروبية الخاصة بنقل البضائع الخطرة بالبر (ADR). تم اختبار بطاريات وخلايا أيون الليثيوم وفق البند 38.3 من دليل اختبارات ومعايير توصيات الأمم المتحدة حول نقل البضائع الخطرة.

في معظم الحالات، سيتم استثناء شحن بطاريات ستانلي من التصنيف كمواد خطيرة من الفئة 9. وبشكل عام، هناك حالتان تتطلبان الشحن ضمن الفئة 9:

## تعليمات هامة للسلامة لجميع شواحن البطاريات

احفظ هذه التعليمات: يحتوي هذا الدليل على تعليمات هامة للسلامة والتنشغيل لشواحن البطاريات SC122.

قبل استعمال الشاحن، اقرأ جميع التعليمات والعلامات التحذيرية على الشاحن علبة عبوة البطارية والنتج الذي يستخدم البطاريات.

**تحذير:** خطر الصدمة. لا تسمح لأي سائل بالتسرب إلى داخل الشاحن. فقد ينتج عن ذلك صدمة كهربائية.



**تحذير:** خطر الاحتراق. لتقليل خطر الإصابة، اشحن بطاريات ستانلي القابلة لإعادة الشحن فقط. البطاريات الأخرى يمكن أن تنفجر متسببة في وقوع إصابات وأضرار شخصية.



**تحذير:** يجب مراقبة الأطفال للتحقق من أنهم لا يعثون بالجهاز.



**ملاحظة:** يمكن أن يتعرض الشاحن للقصور بفعل المواد الغريبة تحت ظروف معينة بينما يكون الشاحن موصولاً بمصدر الطاقة. يجب إبعاد المواد الغريبة ذات الطبيعة الموصلة عن جوفيات الشاحن. بما يتضمن ولا يقتصر على غبار الطحن، أو الرقائق المعدنية، أو الصوف الفولاذي رقائق الألمنيوم أو أي تراكم للجزيئات المعدنية. أفضل الشاحن عن الكهرباء في حال عدم وجود بطارية في التجويف. أفضل الجهاز عن الكهرباء قبل التنظيف.



لا تحاول شحن البطارية بأية شواحن غير المذكورة في هذا الدليل. تم تصميم الشاحن والبطارية خصيصاً للعمل معاً.

إن هذه الشواحن ليست معدة لأية استخدامات غير شحن بطاريات STANLEY القابلة لإعادة الشحن. قد تؤدي أية استخدامات أخرى إلى خطر الحريق أو الصدمة الكهربائية أو الصعق بالكهرباء.

لا تعرض الشواحن للمطر أو الثلج.

اسحب القابض وليس السلك عند فصل الشاحن عن الكهرباء. فهذا سيقفل من خطر تلف القابض والسلك الكهربائي.

تأكد أن السلك في مكان لن يتعرض للدهس أو التعثر أو التلف أو الضغط.

لا تستخدم سلك الإطالة لإفني حالة الضرورة القصوى قد يؤدي استخدام سلك الإطالة غير المناسب إلى خطر الحريق أو الصدمة الكهربائية أو الصعق بالكهرباء.

لا تضع أي جسم على الشاحن أو تضع الشاحن على سطح ناعم قد يسبب فتحات التهوية ويؤدي إلى حرارة داخلية مفرطة.

ضع الشاحن بعيداً عن أي مصدر للحرارة. تتم تهوية الشاحن من خلال الفتحات الموجودة في أعلى وأسفل الوفاء

لا تشغل الشاحن إذا كان سلكه أو قابسه تالفاً - استبدله على الفور.

لا تشغل الشاحن إذا تعرض لضربة قوية أو سقط أو تضرر بأي طريقة. أرسله إلى مركز معتمد للخدمة.

لا تترك الشاحن: بل أرسله إلى مركز معتمد للخدمة في حال الحاجة إلى خدمة أو إصلاح. قد تؤدي إعادة التركيب الخاطئة إلى خطر الصدمة الكهربائية أو الصعق بالكهرباء أو الحريق.

إذا كان سلك الطاقة تالفاً يجب استبداله فوراً من قبل المصنع أو وكيل الخدمة أو شخص مؤهل لتفادي أي خطر.

- أفضل الشاحن عن المأخذ قبل الشروع في التنظيف. هذا سيقفل من مخاطر التعرض لصدمة كهربائية. لن يؤدي فك علبة البطارية إلى تقليل هذا الخطر.
- لا تحاول توصيل شاحنين معاً.
- تم تصميم الشاحن للعمل وفق الطاقة الكهربائية المنزلية. لا تحاول استخدام أي جهد أخرى. لا ينطبق ذلك على شاحن المركبات.

## الشواحن

يقبل الشاحن SC122 بطاريات الليثيوم أيون 12V Max / 10.8V. لا يحتاج الشاحن إلى أي تعديل ومصمم لتشغيله بأسهل طريقة ممكنة

## الملصقات الموجودة على الأداة

الرموز التالية مع كود التاريخ موجودان على الأداة:

**تحذيراً** من أجل تقليل مخاطر الإصابات، يجب على المستخدم قراءة دليل التعليمات.



ارتد نظارات السلامة دائماً.



ارتد واقيات حماية الأذنين دائماً.



## وضع رمز التعرف على التاريخ

رمز التاريخ الذي يتضمن كذلك سنة الصنع مطبوع على الغلاف. مثال:

XX JN 2017

سنة الصنع

## محتويات العبوة

تحتوي العبوة على:

1 مطرقة ثقب

1 شاحن

2 بطارية (S2) أو 1 بطارية (S1)

1 دليل تعليمات

**ملاحظة:** لا تندرج علب البطاريات والشواحن في طرز N.

- تحقق من وجود أي أضرار في الجهاز أو الملحقات ربما حدث أثناء النقل.
- خصص الوقت الكافي لقراءة وفهم هذا الدليل قبل التشغيل.

## لميزات (شكل أ)

1. مفتاح التشغيل

2. زر الأمام/الخلف

3. حلقة تعديل الدوران

4. مفتاح اختيار ترس التوجيه الثنائي

5. مقبض بدون مفتاح

6. زر تحرير البطارية

7. البطارية

8. ضوء التشغيل LED

9. حلقة الوظيفة

- a. جسمك يجعل أداة العمل غير مستقرة ويمكن أن يؤدي إلى فقدان التحكم.
- قبل الثقب في الجدران أو الأرضيات أو الأسقف خقق من مكان الأسلاك والمواسير.
  - تجنب ملامسة طرف لقمة الثقب بعد الانتهاء من الثقب. فيمكن أن تكون ملتهبًا.
  - إن الغرض من الاستخدام مبين في دليل التعليمات هذا. استخدام أي قطع كمالية أو ملحقة غير الموجودة مع الجهاز أو استخدام الجهاز في غرض غير المنصوص عليه في هذا الدليل قد يشكل خطرًا أو يؤدي إلى حدوث إصابة وأو أية أضرار.

#### سلامة الآخرين

- هذا الجهاز غير مصمم ليستخدمه الأشخاص ذوو القدرات الجسدية والحسية والعقلية المتدنية أو من نقصهم الخبرة والمعرفة (ما في ذلك الأطفال) إلا في ظل الإشراف عليهم أو إعطائهم التعليمات المتعلقة باستخدام الجهاز من قبل الشخص المسؤول عن سلامتهم.
- يجب الإشراف على الأطفال لضمان عدم عبثهم بالجهاز.

#### المخاطر المتبقية

- عند استخدام الجهاز يمكن أن تظهر مخاطر متبقية إضافية قد لا تكون مدرجة في خذيرات السلامة المرفقة. هذه المخاطر يمكن أن تنشأ عن الاستخدام السيء أو المطول إلخ.
- لا يمكن تجنب بعض المخاطر المتبقية حتى مع تطبيق تعليمات السلامة المناسبة واستخدام أجهزة الأمان. وتشمل:
  - إصابات تنشأ جراء ملامسة أية أجزاء دوارة/ متحركة.
  - إصابات تنشأ عند تغيير أية أجزاء أو شمعات أو ملحقات.
  - إصابات تنشأ جراء طول فترة استعمال الجهاز. خقق من توفير فترات راحة منتظمة عند استعمال الجهاز لفترات طويلة.
  - تضرر السمع.
  - المخاطر الصحية الناتجة عن استنشاق الغبار المتكون عند استخدام جهازك (على سبيل المثال: التعامل مع الأخشاب. ولا سيما البلوط والزنان والخشب المضغوط (MDF).

#### السلامة من مخاطر الكهرباء

فقط. خقق دائمًا من توافق جهد علبة البطارية مع الجهد الموضح على لوحة التقنين. وتأكد كذلك أن جهد الشاحن الخاص بك يتوافق مع مصدر التيار لديك.

هذا الشاحن معزول عزلاً مزدوجاً، وبالتالي لا حاجة إلى وجود تيار أرضي. خقق دائماً من توافق جهد التيار الرئيسي مع الجهد الموضح على لوحة التقنين. لا تحاول مطلقاً استبدال وحدة الشاحن بقباس عادي.



- في حالة تلف سلك الكهرباء، يجب استبداله من قبل المصنع أو أي مركز خدمة معتمد من STANLEY لتجنب المخاطر.

#### استخدام سلك إطالة

القصوى. استخدم دائماً كابل إطالة معتمداً ومناسباً لدخل طاقة الشاحن الخاص بك (انظر البيانات الفنية). أدنى حجم للموصل هو 1 2م، وأقصى طول هو 30 متر.

عند استخدام بكرة كابل. احرص على فرد الكابل تماماً.

a. لا تقم بإعادة الشحن إلا باستخدام الشاحن الموصى به من المصنع. الشاحن المناسب لنوع واحد من علب البطاريات يمكن أن يتسبب في نشوء خطر الحريق عند الاستخدام مع علبة بطارية أخرى.

b. استخدم الأدوات الكهربائية مع علب البطاريات المخصصة خديداً لها فقط. استخدام أية علب بطاريات أخرى يمكن أن يتسبب في خطر الإصابة أو وقوع حريق.

c. عند عدم استخدام علبة البطارية احتفظ بها بعيداً عن المواد المعدنية الأخرى. مثل مشابك الأوراق والعملات المعدنية والمفاتيح والمسامير أو الأشياء المعدنية الصغيرة الأخرى. التي يمكن أن تنشئ دائرة اتصال كهربائية من طرف لآخر. تقصير دائرة أطراف البطارية معاً يمكن أن يتسبب في وقوع حريق أو نشوب نار.

d. في ظل الظروف القاسية فإن السائل يمكن أن يتسرب من البطارية؛ فتجنب ملامسته. إذا ما حدث التلامس بشكل غير مقصود فاشطف مكان التلامس بالماء. إذا ما تلامس السائل مع العينين فاطلب علاقة على هذا المساعدة الطبية. السائل يمكن أن يتسرب من البطارية متسبباً في حالات تهيج أو حروق.

#### الخدمة

a. احرص على أن يقوم فني متخصص بإصلاح الأداة الكهربائية الخاصة بك وباستخدام قطع الغيار المتطابقة فقط. وذلك يضمن سلامة صيانة الأداة الكهربائية.

b. لا تصلح علب البطاريات التالفة. يجب أن يقتصر إصلاح علب البطاريات فقط على المصنع أو موردين الخدمة المعتمدين.

#### خذيرات إضافية متعلقة بسلامة الأداة الكهربائية

خذيراً! خذيرات السلامة الإضافية الخاصة بالمناقب/مفكات البرايغ.



ارتد واقي الأذن عند العمل بالمناقب. إن التعرض للضجيج يمكن أن

يتسبب في فقدان السمع.

• استخدم المقابض الإضافية المرفقة مع الأداة. فقدان

التحكم يمكن أن يتسبب في وقوع إصابات شخصية.

• احرص على حمل الأداة الكهربائية باستخدام أسطح

الإمساك المعزول عند القيام بالتشغيل في الأماكن التي

يمكن أن ينشأ فيه تلامس بين كماليات التقطع وبين

الأسلاك الختفية. ربما تتسبب ملحقات القطع عن

ملامستها لسلك "حي" في جعل الأجزاء المعدنية من أداة

الطاقة "طرف حي" ما قد يصيب المشغل بصدمة كهربائية.

• احرص على حمل الأداة الكهربائية باستخدام أسطح

الإمساك المعزول عند القيام بالتشغيل في الأماكن التي

يمكن أن ينشأ فيه تلامس بين المثبتات وبين الأسلاك الختفية.

• المثبتات الختفية على سلك "حي" يمكن أن تجعل الأجزاء

المعدنية المكشوفة للأداة الكهربائية "طرف حي" ما يمكن أن

يعرض المشغل لصدمة كهربائية.

• استخدم المشابك أو أي طرق عملية أخرى لتأمين وتدعيم أداة

العمل على منصة ثابتة. القيام بالعمل يدوياً أو في مقابل

## الغرض من الاستخدام

صُممت مطرقة STANLEY SCH121 Li-Ion الخاصة بك لتطبيقات الربط الخفيف والنقب. هذا الجهاز مُعد للاستخدام الختريف.

## تعليمات السلامة

تحذيرات عامة متعلقة بسلامة أداة الطاقة الكهربائية

التعرفات الموضحة أدناه تبين مستوى الخطورة لكل كلمة تحذيرية. يرجى قراءة الدليل مع مراعاة هذه الرموز.



**تحذير!** احرص على قراءة كل تحذيرات السلامة والتعليمات والرسوم التوضيحية ذات الصلة والموصفات المرفقة مع.

**احتفظ بكل التحذيرات والتعليمات كمرجع مستقبلي** مصطلح "الأداة الكهربائية" الواردة في كل التحذيرات المدرجة أدناه يشير إلى الأداة الكهربائية المشغلة بواسطة التيار الكهربائي (بكابل) أو المشغلة بطارية (بدون كابل).

## 1. سلامة منطقة العمل

- حافظ على منطقة العمل نظيفة ومضاءة جيداً، فالمنطقة غير المرتبة أو المظلمة عرضة لوقوع حوادث.
- لا تشغل الأدوات الكهربائية في أجواء قابلة للانفجار مثل وجود سوائل أو غازات أو غبار قابلة للاشتعال. تطلق الأدوات الكهربائية شرراً يمكن أن يشعل الغبار أو الأذخنة.
- احرص على إبعاد الأطفال والتواجدين في منطقة العمل عند تشغيل الأداة الكهربائية. مصادر صرف الانتباه يمكن أن تجلجك تفقد القدرة على التحكم.

## 2. السلامة من مخاطر الكهرباء

- يلزم توافق قوايس الأداة الكهربائية مع مقبس التيار الكهربائي. يُحظر تعديل القابس بأي طريقة. لا تستخدم قوايس مهايئ مع الأدوات الكهربائية المتصلة بالأرضي (مؤرضة). عدم تعديل القابس واستخدام مخارج تيار مناسبة يحد من مخاطر الصدمات الكهربائية.
- تجنب ملامسة الجسم مع أسطح مؤرضة أو أرضية. مثل المواسير والمدافئ والأفران والمبردات. يزداد خطر التعرض لصدمة كهربائية إذا كان جسمك في وضع تأريض أو أرضي.
- لا تعرض الأدوات الكهربائية للمطر أو لظروف رطبة. سوف يؤدي تسرب الماء إلى داخل الأداة الكهربائية إلى زيادة مخاطر التعرض للصدمات الكهربائية.
- لا تنس: استخدام السلك. لا تستخدم السلك مطلقاً في حمل أو سحب الأداة الكهربائية أو فصلها من القابس. ابق السلك بعيداً عن الحرارة والزيت والحواف الحادة والأجزاء المتحركة. تزيد الأسلاك التالفة أو المتشابكة من مخاطر التعرض للصدمات الكهربائية.
- عند تشغيل الأداة الكهربائية في الخارج. استخدم سلك إطالة مناسباً للاستخدام الخارجي. استخدم سلك مناسب لأغراض الاستخدام الخارجي يقلل من مخاطر التعرض للصدمات الكهربائية.

إذا لم يكن هناك مفر من تشغيل الأداة الكهربائية في منطقة رطبة، فاستخدم شبكة تغذية محمية بقواطع تفاضلي (RCD). استخدم قاطع الدائرة يقلل من مخاطر التعرض للصدمات الكهربائية.

## 3. السلامة الشخصية

- كن متيقظاً، وراقب ما تفعل واستخدم حسك العام عند تشغيل الأداة الكهربائية. لا تستخدم الأداة الكهربائية عندما تكون مجهداً أو تحت تأثير المخدرات أو الكحوليات أو الأدوية. في حالة عدم الانتباه عند تشغيل الأداة الكهربائية يمكن أن تتسبب في وقوع إصابات شخصية بالغة.
- استخدم معدات الحماية الشخصية. احرص دائماً على ارتداء واقي العينين. سوف تعمل معدات الحماية، مثل قناع الغبار

وأحذية السلامة المقاومة للانزلاق والخوذة الصلبة وواقي الأذن المستخدمة في ظروف مناسبة على تقليل معدل الإصابات الشخصية.

جانب بدء العمل بدون قصد. تحقق من أن المفتاح في وضع الإيقاف قبل التوصيل بمصدر الكهرباء وأو عبلة البطارية أو قبل التقاط أو حمل الأداة. إن حمل الأدوات الكهربائية وإصبعك على مفتاح التشغيل أو بينما توجد الأدوات في وضع التشغيل من شأنه أن يستدعي وقوع حوادث.

تخلص من أية مفاتيح ضبط أو ربط قبل تشغيل الأداة الكهربائية. يمكن أن يتسبب أي مفتاح ربط أو ضبط موصل بالجزء الدوار من الأداة الكهربائية في وقوع إصابات شخصية. تجنب المبالغة. ضع ديمك في وضع مناسب واحتفظ بآزانتك في كل الأوقات، حيث يتيح ذلك إمكانية حكم أفضل في الأداة الكهربائية في المواقف غير المتوقعة.

ارتد رتاً مناسباً. لا ترتد الملابس الفضفاضة أو الخلي. احرص على إبعاد شعرك وملابسك عن الأجزاء المتحركة. فقد تعلق الملابس الفضفاضة أو الخلي أو الشعر الطويل في الأجزاء المتحركة. إذا كانت الأجهزة معدة للتوصيل بوسائل إزالة أو جمع الأثرية. فتأكد من توصيلها واستخدامها بشكل مناسب. استخدام هذه الأجهزة يمكن أن يقلل من المخاطر المتعلقة بالغبار.

لا تسمح لأعتيادك على استخدام الأدوات بشكل متكرر أن يبعث داخلك اطميناناً قد يدفعك إلى تجاهل مبادئ سلامة الخاصة بالأداة. فأي تصرف طائش يمكن أن يتسبب في وقوع إصابات خطيرة في لمح البصر.

## 4. استخدام الأداة الكهربائية والعناية بها

لا تضغط على الأداة الكهربائية. استخدم الأداة الكهربائية المناسبة لاستعمالك. حيث أن الأداة الكهربائية المناسبة سوف تقوم بأداء العمل بشكل أفضل وأكثر أماناً وفقاً للمعدل التي صُممت لأجله.

لا تستخدم الأداة الكهربائية إذا لم يتم المفتاح بالتشغيل والإيقاف. أية أداة كهربائية لا يمكن التحكم فيها باستخدام المفتاح تصبح خطرة ويجب إصلاحها.

افصل القوايس عن مصدر الكهرباء وأو أخرج حزمة البطارية. إن كانت قابلة للإزالة. من الأداة الكهربائية قبل إجراء أي تعديلات أو تغيير أي ملحقات أو تخزين الأدوات الكهربائية. تعمل إجراءات السلامة الوقائية هذه على الحد من خطر بدء تشغيل الأداة الكهربائية بدون قصد.

خزن الأدوات الكهربائية غير المستخدمة بعيداً عن متناول الأطفال ولا تسمح للأشخاص الغير معتمدين على الأداة الكهربائية أو هذه التعليمات بتشغيل الأداة الكهربائية. تمثل الأدوات الكهربائية خطراً في أيدي المستخدمين غير المتدربين.

هـ. صيانة الأدوات الكهربائية والملحقات. تحقق من وجود أي محاذرة خاطئة أو عائق في الأجزاء المتحركة. أو كسر في الأجزاء. وأية حالة أخرى يمكن أن تؤثر على تشغيل الأدوات الكهربائية. في حالة تلفها. يتم إصلاح الأداة الكهربائية قبل استخدامها. تقع العديد من الحوادث جراء صيانة الأدوات الكهربائية بشكل سيء.

افحص على أن تظل أدوات القطع حادة ونظيفة. تعمل الصيانة المناسبة لأدوات القطع ذات الحواف الحادة على تقليل احتمالية أن تنلم ويمكن التحكم فيها بشكل أفضل.

استخدم الأداة الكهربائية والكماليات ولقم الأداة وما إلى ذلك بما يتوافق مع هذه التعليمات. مع الوضع في الاعتبار ظروف العمل والعمل الذي يتعين القيام به. استخدام الأداة الكهربائية لتنفيذ العمليات في الأغراض غير المخصصة يمكن أن يتسبب في التعرض لمواقف خطيرة.

حافظ على جفاف المفاتيح والأسطح القابضة ونظافتها وخلوها من الزيت والشح. فالمفاتيح والأسطح القابضة المنزقة لا تسمح بالتعامل مع الأداة والتحكم فيها بأمان في المواقف غير المتوقعة.

## 5. استخدام أداة البطارية والعناية بها





