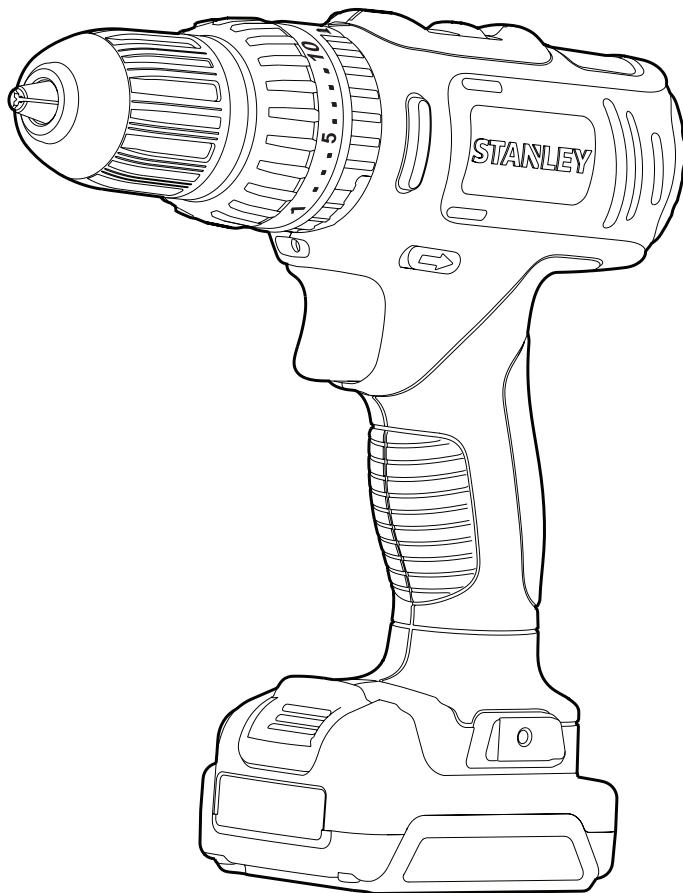
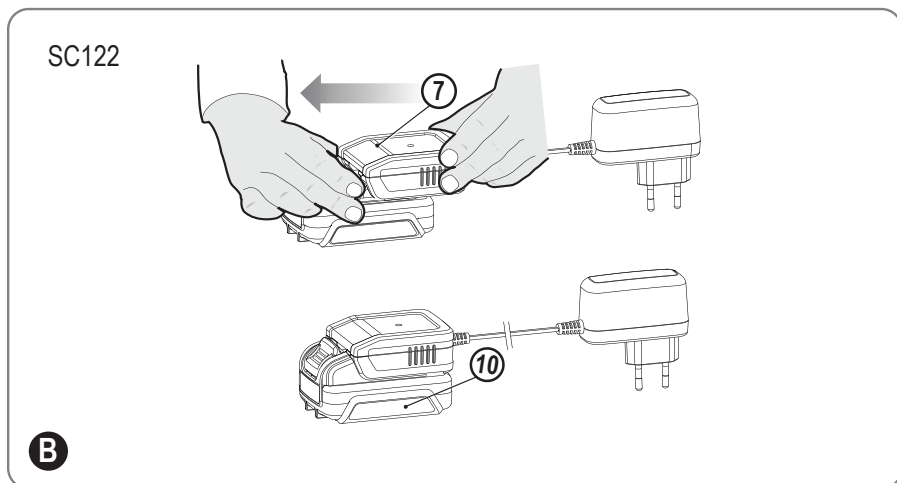
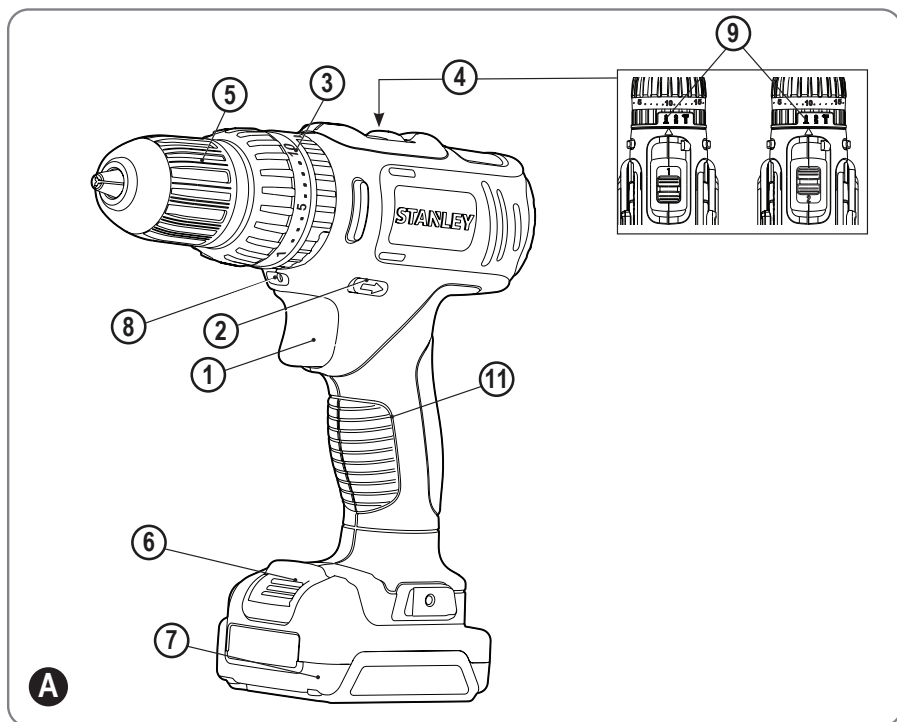


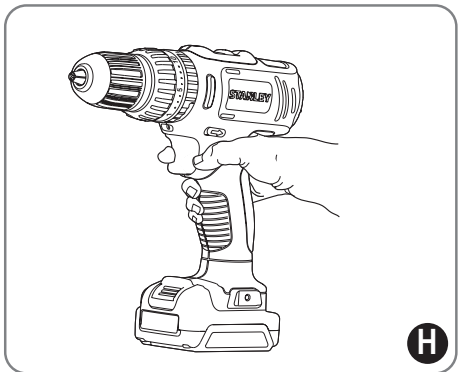
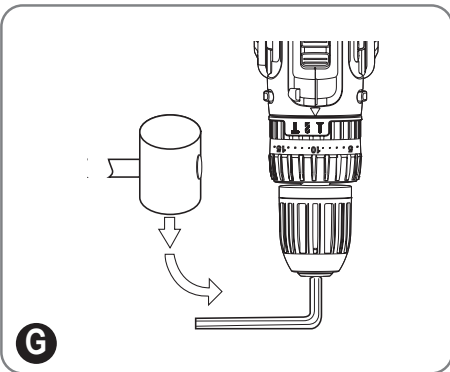
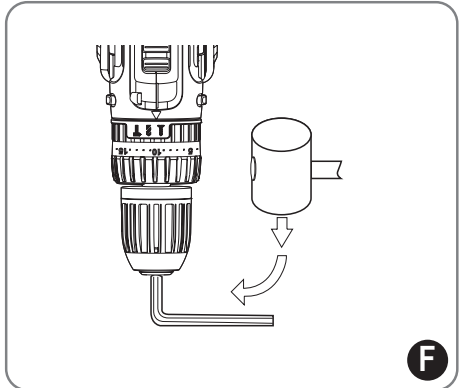
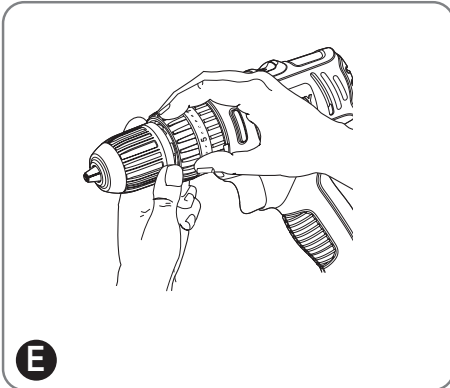
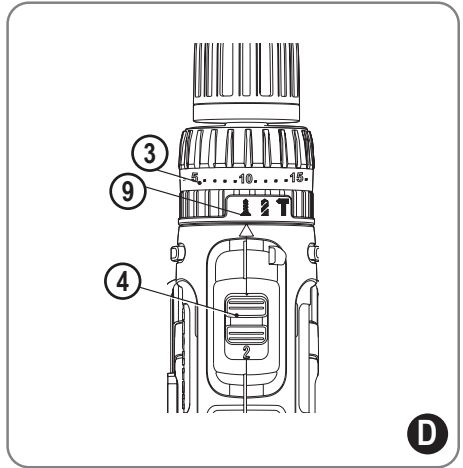
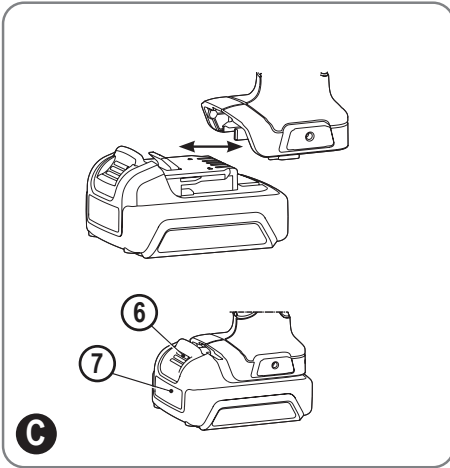
STANLEY®



SCH121

English	Page	04
Russian	Page	13
Ukrainian	Page	25
Turkish	Page	36





INTENDED USE

Your STANLEY SCH121 Li-Ion Hammer Drill has been designed for light fastening and drilling in wood/metal/brickwork, and screwdriving applications. This tool is intended for professional use.

SAFETY INSTRUCTIONS**General power tool safety warnings**

WARNING! Read all safety warnings, instructions, illustrations and specifications provided with this power tool. Failure to follow all instructions listed below may result in electric shock, fire and/or serious injury.

Save all warnings and instructions for future reference.

The term “power tool” in the warnings refers to your mains-operated (corded) power tool or battery-operated (cordless) power tool.

1. Work area safety

- a. **Keep work area clean and well lit.** Cluttered or dark areas invite accidents.
- b. **Do not operate power tools in explosive atmospheres, such as in the presence of flammable liquids, gases or dust.** Power tools create sparks which may ignite the dust or fumes.
- c. **Keep children and bystanders away while operating a power tool.** Distractions can cause you to lose control.

2. Electrical safety

- a. **Power tool plugs must match the outlet. Never modify the plug in any way.** Do not use any adapter plugs with earthed (grounded) power tools. Unmodified plugs and matching outlets will reduce risk of electric shock.
- b. **Avoid body contact with earthed or grounded surfaces such as pipes, radiators, ranges and refrigerators.** There is an increased risk of electric shock if your body is earthed or grounded.
- c. **Do not expose power tools to rain or wet conditions.** Water entering a power tool will increase the risk of electric shock.
- d. **Do not abuse the cord. Never use the cord for carrying, pulling or unplugging the power tool.** Keep cord away from heat, oil, sharp edges or moving parts. Damaged or entangled cords increase the risk of electric shock.
- e. **When operating a power tool outdoors, use an extension cord suitable for outdoor use.** Use of a cord suitable for outdoor use reduces the risk of electric shock.
- f. **If operating a power tool in a damp location is unavoidable, use a residual current device (RCD) protected supply.** Use of an RCD reduces the risk of electric shock.

3. Personal safety

- a. **Stay alert, watch what you are doing and use common sense when operating a power tool.** Do not use a power tool while you are tired or under the influence of drugs, alcohol or medication. A moment of

inattention while operating power tools may result in serious personal injury.

- b. **Use personal protective equipment.** Always wear eye protection. Protective equipment such as a dust mask, non-skid safety shoes, hard hat, or hearing protection used for appropriate conditions will reduce personal injuries.
 - c. **Prevent unintentional starting.** Ensure the switch is in the off-position before connecting to power source and/or battery pack, picking up or carrying the tool. Carrying power tools with your finger on the switch or energising power tools that have the switch on invites accidents.
 - d. **Remove any adjusting key or wrench before turning the power tool on.** A wrench or a key left attached to a rotating part of the power tool may result in personal injury.
 - e. **Do not overreach.** Keep proper footing and balance at all times. This enables better control of the power tool in unexpected situations.
 - f. **Dress properly.** Do not wear loose clothing or jewellery. Keep your hair and clothing away from moving parts. Loose clothes, jewellery or long hair can be caught in moving parts.
 - g. **If devices are provided for the connection of dust extraction and collection facilities, ensure these are connected and properly used.** Use of dust collection can reduce dust-related hazards.
 - h. **Do not let familiarity gained from frequent use of tools allow you to become complacent and ignore tool safety principles.** A careless action can cause severe injury within a fraction of a second.
- 4. Power tool use and care**
- a. **Do not force the power tool. Use the correct power tool for your application.** The correct power tool will do the job better and safer at the rate for which it was designed.
 - b. **Do not use the power tool if the switch does not turn it on and off.** Any power tool that cannot be controlled with the switch is dangerous and must be repaired.
 - c. **Disconnect the plug from the power source and/or remove the battery pack, if detachable from the power tool before making any adjustments, changing accessories, or storing power tools.** Such preventive safety measures reduce the risk of starting the power tool accidentally.
 - d. **Store idle power tools out of the reach of children and do not allow persons unfamiliar with the power tool or these instructions to operate the power tool.** Power tools are dangerous in the hands of untrained users.
 - e. **Maintain power tools and accessories.** Check for misalignment or binding of moving parts, breakage of parts and any other condition that may affect the power tools operation. If damaged, have the power tool repaired before use. Many accidents are caused by poorly maintained power tools.
 - f. **Keep cutting tools sharp and clean.** Properly maintained cutting tools with sharp cutting edges are less likely to bind and are easier to control.

- g. **Use the power tool, accessories and tool bits etc.** in accordance with these instructions, taking into account the working conditions and the work to be performed. Use of the power tool for operations different from those intended could result in a hazardous situation.
- h. **Keep handles and grasping surfaces dry, clean and free from oil and grease.** Slippery handles and grasping surfaces do not allow for safe handling and control of the tool in unexpected situations.
- 5. **Battery tool use and care**
 - a. **Recharge only with the charger specified by the manufacturer.** A charger that is suitable for one type of battery pack may create a risk of fire when used with another battery pack.
 - b. **Use power tools only with specifically designated battery packs.** Use of any other battery packs may create a risk of injury and fire.
 - c. **When battery pack is not in use, keep it away from other metal objects, like paper clips, coins, keys, nails, screws, or other small metal objects, that can make a connection from one terminal to another.** Shorting the battery terminals together may cause burns or a fire.
 - d. **Under abusive conditions, liquid may be ejected from the battery; avoid contact. If contact accidentally occurs, flush with water. If liquid contacts eyes, additionally seek medical help.** Liquid ejected from the battery may cause irritation or burns.
- 6. **Service**
 - a. **Have your power tool serviced by a qualified repair person using only identical replacement parts.** This will ensure that the safety of the power tool is maintained.
 - b. **Never service damaged battery packs.** Service of battery packs should only be performed by the manufacturer or authorized service providers.

ADDITIONAL POWER TOOL SAFETY WARNINGS



WARNING! Additional safety warnings for drills/screwdrivers

- **Wear ear protectors when impact drilling.** Exposure to noise can cause hearing loss.
- **Use auxiliary handles supplied with the tool.** Loss of control can cause personal injury.
- **Hold power tool by insulated gripping surfaces when performing an operation where the cutting accessory may contact hidden wiring.** Cutting accessory contacting a "live" wire may make exposed metal parts of the power tool "live" and could give the operator an electric shock.
- **Hold power tool by insulated gripping surfaces, when performing an operation where the fastener may contact hidden wiring.** Fasteners contacting a "live" wire may make exposed metal parts of the power tool "live" and could give the operator an electric shock.
- **Use clamps or another practical way to secure and support the workpiece to a stable platform.** Holding the work by hand or against your body leaves it unstable and may lead to loss of control.
- Before drilling into walls, floors or ceilings, check for the location of wiring and pipes.

- Avoid touching the tip of a drill bit just after drilling, as it may be hot.
- The intended use is described in this instruction manual. The use of any accessory or attachment or performance of any operation with this tool other than those recommended in this instruction manual may present a risk of personal injury and/or damage to property.

SAFETY OF OTHERS

- This tool is not intended for use by persons (including children) with reduced physical, sensory or mental capabilities, or lack of experience and knowledge, unless they have been given supervision or instruction concerning use of the tool by a person responsible for their safety.
- Children should be supervised to ensure that they do not play with the appliance.

RESIDUAL RISKS

Additional residual risks may arise when using the tool which may not be included in the enclosed safety warnings. These risks can arise from misuse, prolonged use etc.

Even with the application of the relevant safety regulations and the implementation of safety devices, certain residual risks can not be avoided. These include:

- Injuries caused by touching any rotating/moving parts.
- Injuries caused when changing any parts, blades or accessories.
- Injuries caused by prolonged use of a tool. When using any tool for prolonged periods ensure you take regular breaks.
- Impairment of hearing.
- Health hazards caused by breathing dust developed when using your tool (example:- working with wood, especially oak, beech and MDF.)

ELECTRICAL SAFETY

The electric motor has been designed for one voltage only. Always check that the battery pack voltage corresponds to the voltage on the rating plate. Also make sure that the voltage of your charger corresponds to that of your mains.



Your STANLEY charger is double insulated in accordance with EN 60335; therefore no earth wire is required.

- If the supply cord is damaged, it must be replaced by a specially prepared cord available through the STANLEY service organisation.

ADDITIONAL SAFETY INSTRUCTIONS FOR BATTERIES AND CHARGERS

Save these instructions: This manual contains important safety and operating instructions for SC122 battery charger.

- Before using charger, read all instructions and cautionary markings on charger, battery pack, and product using battery pack.



WARNING: Shock hazard. Do not allow any liquid to get inside charger. Electric shock may result.



CAUTION: Burn hazard. To reduce the risk of injury, charge only STANLEY rechargeable batteries. Other types of batteries may burst causing personal injury and damage.



CAUTION: Children should be supervised to ensure that they do not play with the appliance.

NOTICE: Under certain conditions, with the charger plugged in to the power supply, the charger can be shorted by foreign material. Foreign materials of a conductive nature such as, but not limited to, grinding dust, metal chips, steel wool, aluminum foil, or any buildup of metallic particles should be kept away from charger cavities. Always unplug the charger from the power supply when there is no battery pack in the cavity. Unplug charger before attempting to clean.

- **DO NOT attempt to charge the battery pack with any chargers other than the ones in this manual.** The charger and battery pack are specifically designed to work together.
- **These chargers are not intended for any uses other than charging STANLEY rechargeable batteries.** Any other uses may result in risk of fire, electric shock or electrocution.
- **Do not expose charger to rain or snow.**
- **Pull by plug rather than cord when disconnecting charger.** This will reduce risk of damage to electric plug and cord.
- **Make sure that cord is located so that it will not be stepped on, tripped over, or otherwise subjected to damage or stress.**
- **Do not use an extension cord unless it is absolutely necessary.** Use of improper extension cord could result in risk of fire, electric shock, or electrocution.
- **Do not place any object on top of charger or place the charger on a soft surface that might block the ventilation slots and result in excessive internal heat.** Place the charger in a position away from any heat source. The charger is ventilated through slots in the top and the bottom of the housing.
- **Do not operate charger with damaged cord or plug** — have them replaced immediately.
- **Do not operate charger if it has received a sharp blow, been dropped, or otherwise damaged in any way.** Take it to an authorised service centre.
- **Do not disassemble charger; take it to an authorised service centre when service or repair is required.** Incorrect reassembly may result in a risk of electric shock, electrocution or fire.
- In case of damaged power supply cord the supply cord must be replaced immediately by the manufacturer, its service agent or similar qualified person to prevent any hazard.
- **Disconnect the charger from the outlet before attempting any cleaning.** This will reduce the risk of electric shock. Removing the battery pack will not reduce this risk.
- **NEVER attempt to connect 2 chargers together.**
- **The charger is designed to operate on standard household electrical power. Do not attempt to use it on any other voltage.** This does not apply to the vehicular charger.

Charger

The SC122 charger accept 12V Max / 10.8V Li-Ion batteries. The charger require no adjustment and are designed to be as easy as possible to operate.

LABELS ON TOOL

The following symbols are shown on the tool along with the date code:



WARNING! To reduce the risk of injury, the user must read the instruction manual.



Always wear safety goggles



Always wear safety hearing protection

Position of date code

The Date Code, which also includes the year of manufacture, is printed into the housing.

Example:

2017 XX JN

Year of manufacturing

PACKAGE CONTAINS

The package contains:

- 1 Hammer drill
- 1 Charger
- 2 Batteries (S2) or 1 Battery (S1)
- 1 Instruction manual

NOTE: Battery packs and chargers are not included with N-models.

- Check for damage to the tool, parts or accessories which may have occurred during transport.
- Take the time to thoroughly read and understand this manual prior to operation.

FEATURES (FIG. A)

This appliance includes some or all of the following features.

1. Variable speed trigger switch
2. Forward/reverse button
3. Torque adjustment collar
4. Gear shifter
5. Keyless chuck
6. Battery release button
7. Battery pack
8. LED work light
9. Function collar

ASSEMBLY



WARNING! Before assembly, remove the battery from the tool.

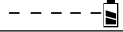
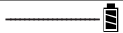
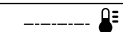

Charging procedure (Fig. B)

- Plug the charger (10) into an appropriate outlet before inserting battery pack.
- Insert the battery pack (7) into the charger. The charging light will blink continuously indicating that the charging process has started.

- The completion of charge will be indicated by the charging light remaining ON continuously. The pack is fully charged and may be used at this time or left in the charger.

NOTE: To ensure maximum performance and life of Li-Ion batteries, charge the battery pack fully before first use.

Charging process Refer the tables below for the state of charge of the battery pack.

State of charge		SC122
charging		green blink
fully charged		green light
hot/cold battery		red blink
damaged battery		red flash

Hot/Cold pack delay

The SC122 charger have a hot/cold delay feature. When the charger detects a battery that is hot, it automatically delays charging until the battery has cooled. When the charger detects a battery that is cold, it automatically delays charging until the battery has warmed.

The red light will continue to blink and can't start to charging procedure. once the battery has cooled, the charger will resume the charging procedure.

Damaged battery

The charger can detect a weak or damaged battery. The red LED flashes in the pattern indicated on the label. If you see this damaged battery blink pattern, do not continue to charge the battery. Return it to a service center or a collection site for recycling.

Electronic protection system

STANLEY Li-Ion batteries are designed with an Electronic Protection System that will protect the battery against overloading, overheating or deep discharge.

The tool will automatically turn off if the Electronic Protection System engages. If this occurs, place the Li-Ion battery on the charger until it is fully charged.

Important safety instructions for all battery packs

When ordering replacement battery packs, be sure to include catalog number and voltage.

The battery pack is not fully charged out of the carton.

Before using the battery pack and charger, read the safety instructions below. Then follow charging procedures outlined.

Read all instructions

- Do not charge or use battery in explosive atmospheres, such as in the presence of flammable liquids, gases or dust.** Inserting or removing the battery from the charger may ignite the dust or fumes.
- Never force battery pack into charger. Do not modify battery pack in any way to fit into a non-compatible charger as battery pack may rupture causing serious personal injury.**
- Charge the battery packs only in STANLEY chargers.

- DO NOT** splash or immerse in water or other liquids.
- Do not store or use the tool and battery pack in locations where the temperature may reach or exceed 40 °C (105 °F) (such as outside sheds or metal buildings in summer).**



WARNING: Never attempt to open the battery pack for any reason. If battery pack case is cracked or damaged, do not insert into charger.

Do not crush, drop or damage battery pack. Do not use a battery pack or charger that has received a sharp blow, been dropped, run over or damaged in any way (i.e., pierced with a nail, hit with a hammer, stepped on). Electric shock or electrocution may result. Damaged battery packs should be returned to service centre for recycling.



CAUTION: When not in use, place tool on its side on a stable surface where it will not cause a tripping or falling hazard. Some tools with large battery packs will stand upright on the battery pack but may be easily knocked over.

Specific safety instructions for lithium ion (Li-Ion)

- Do not incinerate the battery pack even if it is severely damaged or is completely worn out.** The battery pack can explode in a fire. Toxic fumes and materials are created when lithium ion battery packs are burned.
- If battery contents come into contact with the skin, immediately wash area with mild soap and water.** If battery liquid gets into the eye, rinse water over the open eye for 15 minutes or until irritation ceases. If medical attention is needed, the battery electrolyte is composed of a mixture of liquid organic carbonates and lithium salts.
- Contents of opened battery cells may cause respiratory irritation. Provide fresh air.** If symptoms persists, seek medical attention.



WARNING: Burn hazard. Battery liquid may be flammable if exposed to spark or flame.

Transportation

STANLEY batteries comply with all applicable shipping regulations as prescribed by industry and legal standards which include UN Recommendations on the Transport of Dangerous Goods; International Air Transport Association (IATA) Dangerous Goods Regulations, International Maritime Dangerous Goods (IMDG) Regulations, and the European Agreement Concerning The International Carriage of Dangerous Goods by Road (ADR). Lithium-ion cells and batteries have been tested to section 38.3 of the UN Recommendations on the Transport of Dangerous Goods Manual of Tests and Criteria. In most instances, shipping a STANLEY battery pack will be excepted from being classified as a fully regulated Class 9 Hazardous material. In general, the two instances that require shipping Class 9 are:

- Air shipping more than two STANLEY lithium-ion battery packs when the package contains only battery packs (no tools), and
- Any shipment containing a lithium-ion battery with an energy rating greater than 100 watt hours (Wh). All lithiumion batteries have the watt hour rating marked on the pack.

Regardless of whether a shipment is considered excepted or fully regulated, it is the shipper's responsibility to consult the latest regulations for packaging, labeling/markings and documentation requirements.

Transporting batteries can possibly cause fire if the battery terminals inadvertently come in contact with conductive materials. When transporting batteries, make sure that the battery terminals are protected and well insulated from materials that could contact them and cause a short circuit.

The information provided in this section of the manual is provided in good faith and believed to be accurate at the time the document was created. However, no warranty, expressed or implied, is given. It is the buyer's responsibility to ensure that its activities comply with the applicable regulations.

Battery pack

Battery type

The SC122 operates on a 12V Max as well as 10.8V battery packs.

Storage recommendations

1. The best storage place is one that is cool and dry away from direct sunlight and excess heat or cold. For optimum battery performance and life, store battery packs at room temperature when not in use.
2. For long storage, it is recommended to store a fully charged battery pack in a cool, dry place out of the charger for optimal results.

NOTE: Battery packs should not be stored completely depleted of charge. The battery pack will need to be recharged before use.

Labels on charger and battery pack

In addition to the pictographs used in this manual, the labels on the charger and the battery pack may show the following pictographs:

 Read instruction manual before use.




 See Technical Data for charging time.

 Battery charging.

 Battery charged.

 Battery defective.

 Hot/cold pack delay.

 Do not probe with conductive objects.

 Do not charge damaged battery packs.



Do not expose to water.



Have defective cords replaced immediately.



Charge only between 4 °C and 40 °C.



Only for indoor use.



Discard the battery pack with due care for the environment.



SC122/SC121

Charge STANLEY battery packs only with designated STANLEY chargers. Charging battery packs other than the designated STANLEY batteries with a STANLEY charger may make them burst or lead to other dangerous situations.



Do not incinerate the battery pack.



WARNING: Prior to assembly and adjustment, always remove the battery pack. Always switch off the tool before inserting or removing the battery pack.



WARNING: Use only STANLEY battery packs and chargers.

Inserting and removing the battery pack from the tool (Fig C)



WARNING: To reduce the risk of serious personal injury, place the forward/reverse button in the lock-off position or turn tool off and disconnect battery pack before making any adjustments or removing/installing attachments or accessories. An accidental start-up can cause injury.

NOTE: Make sure your battery pack (7) is fully charged.

To install the battery pack into the tool handle

1. Align the battery pack with the rails inside the handle.
2. Slide it firmly into place until you hear the lock snap into place.

To remove the battery pack from the tool

1. Press the release button (5) and firmly pull the battery pack out of the tool handle.
2. Insert battery pack into the charger as described in the charger section of this manual.

USE

Proper hand position (Fig A, H)



WARNING: To reduce the risk of serious personal injury, **ALWAYS** use proper hand position as shown.



WARNING: To reduce the risk of serious personal injury, **ALWAYS** hold securely in anticipation of a sudden reaction. Proper hand position requires one hand on the main handle (9).

Selecting the direction of rotation (Fig D)

For tightening, use forward (clockwise) rotation. For loosening, use reverse (counterclockwise) rotation.

- To select forward rotation, push the forward/reverse slider (2) to the left.
- To select reverse rotation, push the forward/reverse slider to the right.
- To lock the tool, set the forward/reverse slider into the centre position.
- When changing the position of the control button, be sure the trigger is released.

Variable speed trigger switch (Fig A)

To turn the tool on, squeeze the trigger switch (1). To turn the tool off, release the trigger switch. Your tool is equipped with a brake. The chuck will stop when the trigger switch is fully released.

The variable speed switch enables you to select the best speed for a particular application. The further you squeeze the trigger, the faster the tool will operate. For maximum tool life, use variable speed only for starting holes or fasteners

NOTE: Continuous use in variable speed range is not recommended. It may damage the switch and should be avoided.

Torque adjustment collar (Fig. A,D)

The torque adjustment collar (3) is clearly marked with numbers and a drill bit symbol. The collar should be rotated until the desired setting is located at the top of the tool. Locators are provided in the collar to eliminate the guess work when selecting fastening torque.

The higher the number on the collar, the higher the torque and the larger the fastener which can be driven. To lock the clutch for drilling operations, move to the drill bit position.

NOTE: When using the drill/driver for drilling holes, be sure that the torque adjusting collar is set so the figure of the drill is aligned with the center line on the top of the tool. Failure to do this will allow the clutch to slip while attempting to drill.

Gear shifter (Fig A, D)

The dual range feature of your driver/drill allows you to shift gears for greater versatility.

To select the low speed, high torque setting, turn the tool off and permit to stop. Slide the gear shifter (4) forward (towards the chuck). To select the high speed, low torque setting, turn the tool off and permit to stop. Slide the gear shifter back (away from chuck).

NOTE: Do not change gears when the tool is running. If you are having trouble changing gears, make sure that the dual range gear shifter is either completely pushed forward or completely pushed back.

LED work light

The LED work light (8) is located under the the torque adjustment collar (3) and is activated automatically when the trigger is depressed. The LED work light will illuminate when the trigger is partially depressed, before the unit begins running.

NOTE: The LED worklight is for lighting the immediate work surface and is not intended to be used as a flashlight.

Keyless chuck (Fig E)

Your tool features a keyless chuck with one rotating sleeve

for one-handed operation of the chuck. To insert a drill bit or other accessory, follow these steps.

1. Lock the trigger in the OFF position as previously described.
2. Grasp the black sleeve of the chuck with one hand and use the other hand to secure the tool. Rotate the sleeve counterclockwise far enough to accept the desired accessory.
3. Insert the accessory about 19 mm (3/4") into the chuck and tighten securely by rotating the chuck sleeve clockwise with one hand while holding the tool with the other. Your tool is equipped with an automatic spindle lock mechanism. This allows you to open and close the chuck with one hand.
4. To release the accessory, repeat step 2 above.



WARNING: Do not attempt to tighten drill bits (or any other accessory) by gripping the front part of the chuck and turning the tool on. Damage to the chuck and personal injury may result. Always lock off trigger switch when changing accessories.

Be sure to tighten chuck with one hand on the chuck sleeve and one hand holding the tool for maximum tightness.

Chuck removal (Fig F)

Turn the adjustment collar to the "drill" position and gear shifter to position 1 (low speed). Tighten the chuck around the shorter end of a hex key (not supplied) of 6.35 mm (1/4") or greater size. Using a wooden mallet or similar object, strike the longer end in the clockwise direction, as shown. This will loosen the screw inside the chuck.

Open chuck jaws fully, insert screwdriver (or Torx tool if required) into front of chuck between jaws to engage screw head. Remove screw by turning clockwise (left-hand-thread). Place hex key in chuck and tighten, as shown in Figure F. Using a wooden mallet or similar object, strike key sharply in the counterclockwise direction. This will loosen the chuck so that it can be unscrewed by hand.

Chuck installation (Fig G)

Screw the chuck on by hand as far as it will go and insert screw (left-hand thread). Tighten screw securely. Tighten the chuck around the shorter end of a 6.35 mm (1/4") or larger hex key (not supplied) strike the longer end in the clockwise direction with a wooden mallet, as shown. Tighten the screw once again by turning in a counterclockwise direction.

Drill operation



WARNING: To reduce the risk of serious personal injury, turn tool off and disconnect tool from power source before making any adjustments or removing/installing attachments or accessories.



WARNING: To reduce the risk of personal injury, ALWAYS ensure workpiece is anchored or clamped firmly. If drilling thin material, use a wood "back-up" block to prevent damage to the material.

Turn the collar to the drill bit symbol for drilling. Select the desired speed/torque range using the gear shifter to match the speed and torque to the planned operation.

- 1 Use sharp drill bits only. For WOOD, use twist drill bits, spade bits, or hole saws. For METAL, use high-speed steel (HSS) twist drill bits or hole saws.

- Always apply pressure in a straight line with the bit. Use enough pressure to keep drill biting, but do not push hard enough to stall the motor or deflect the bit.
- Hold tool firmly with both hands to control the twisting action of the drill.



WARNING: The drill may stall if overloaded causing a sudden twist. Always expect the stall. Grip the drill firmly with both hands to control the twisting action and avoid injury.

- IF DRILL STALLS**, it is usually because it is being overloaded or improperly used. **RELEASE TRIGGER IMMEDIATELY**, remove drill bit from work, and determine cause of stalling. **DO NOT CLICK TRIGGER ON AND OFF IN AN ATTEMPT TO START A STALLED DRILL — THIS CAN DAMAGE THE DRILL.**
- To minimize stalling or breaking through the material, reduce pressure on drill and ease the bit through the last fractional part of the hole.
- Keep the motor running when pulling the bit back out of a drilled hole. This will help prevent jamming.
- With variable speed drills there is no need to center punch the point to be drilled. Use a slow speed to start the hole and accelerate by squeezing the trigger harder when the hole is deep enough to drill without the bit skipping out.

Hammer drill operation (Fig. D)

- Turn the collar (9) to the hammer drill symbol.
- Select the high speed setting by sliding the selector forward (towards the chuck). Important: Use carbide tipped or masonry bits only.
- Drill with just enough force on the hammer to keep it from bouncing excessively or "rising" off the bit. Too much force will cause slower drilling speeds, overheating and lower drilling rate.
- Drill straight, keeping the bit at a right angle to the work. Do not exert side pressure on the bit when drilling as this will cause clogging of the bit flutes and a slower drilling speed.
- When drilling deep holes, if the hammer speed starts to drop off, pull the bit partially out of the hole with tool still running to help clear debris from the hole.

NOTE: A smooth, even flow of dust from the hole indicates proper drilling rate.

Operation as a screwdriver

Select the desired speed/torque range using the dual range gear shifter on the top of tool to match the speed and torque to the planned operation. Insert the desired fastener accessory into the chuck as you would any drill bit. Make a few practice runs in scrap or unseen areas to determine the proper position of the clutch collar.

Maximum recommended capacities

	Low Range-1	Low Range-2
Bits, Metal, Drilling	6.00 mm	3.00 mm
Wood, Flat, Boring	19.00 mm	12.00 mm
Hole Saws	19.00 mm	16.00 mm
Brickwork		6.00mm

MAINTENANCE

Your STANLEY power tool has been designed to operate over a long period of time with a minimum of maintenance. Continuous satisfactory operation depends upon proper tool care and regular cleaning.



WARNING: To reduce the risk of serious personal injury, place the forward/reverse button in the lockoff position or turn tool off and disconnect battery pack before making any adjustments or removing/installing attachments or accessories. An accidental start-up can cause injury. The charger and battery pack are not serviceable. There are no serviceable parts inside.



Lubrication

Your power tool requires no additional lubrication.



Cleaning



WARNING: Blow dirt and dust out of the main housing with dry air as often as dirt is seen collecting in and around the air vents. Wear approved eye protection and approved dust mask when performing this procedure.



WARNING: Never use solvents or other harsh chemicals for cleaning the non-metallic parts of the tool. These chemicals may weaken the materials used in these parts. Use a cloth dampened only with water and mild soap. Never let any liquid get inside the tool; never immerse any part of the tool into a liquid.

Charger cleaning instructions



WARNING: Shock hazard. Disconnect the charger from the AC outlet before cleaning. Dirt and grease may be removed from the exterior of the charger using a cloth or soft non-metallic brush. Do not use water or any cleaning solutions.

Optional accessories



WARNING! Since accessories, other than those offered by STANLEY have not been tested with this product, use of such accessories with this tool could be hazardous. To reduce the risk of injury, only STANLEY recommended accessories should be used with this product. Consult your dealer for further information on the appropriate accessories.

PROTECTING THE ENVIRONMENT



Separate collection. This product must not be disposed of with normal household waste.

Should you find one day that your STANLEY product needs replacement, or if it is of no further use to you, do not dispose of it with household waste. Make this product available for separate collection.



STANLEY provides a facility for the collection and recycling of STANLEY products once they have reached the end of their working life. To take advantage of this service please return your product to any authorised repair agent who will collect them on our behalf.

You can check the location of your nearest authorised repair agent by contacting your local STANLEY office at the address indicated in this manual. Alternatively, a list of authorised STANLEY repair agents and full details of our after-sales service and contacts are available on the Internet at: www.2helpU.com.

Batteries



STANLEY batteries can be recharged many times. At the end of their useful life, discard batteries with due care for our environment:

- Run the battery down completely, then remove it from the tool.
- NiCd, NiMH and Li-Ion batteries are recyclable. Take them to any authorized repair agent or a local recycling station.

NOTES

STANLEY's policy is one of continuous improvement to our products and as such, we reserve the right to change product specifications without prior notice. Standard equipment and accessories may vary by country. Product specifications may differ by country. Complete product range may not be available in all countries. Contact your local STANLEY dealers for range availability

SERVICE INFORMATION

STANLEY offers a full network of company-owned and authorized service locations. All STANLEY Service Centers are staffed with trained personnel to provide customers with efficient and reliable power tool service. For more information about our authorized service centers and if you need technical advice, repair, or genuine factory replacement parts, contact the STANLEY location nearest you.

TECHNICAL DATA

HAMMER DRILL		SCH121
Voltage	V_{DC}	12V Max
No-load speed	min^{-1}	0-400/0-1500
Impact rate	min^{-1}	0-6000/0-22500
Max torque	Nm	26
Chuck capacity	mm	10
Maximum drilling capacity:		
Wood	mm	20
Metal	mm	10
Concrete	mm	8

Charger		SC122
Input voltage	V_{AC}	220-240
Output voltage	V_{DC}	12
Output Current (DC)	A	1.25
Approx. charge time	Mins	70(1.5Ah)

Battery		SB12S
Voltage	V_{DC}	12
Capacity	Ah	1.5
Type		Li-Ion

Level of sound pressure according to EN 60745:		
Sound pressure (L_{pA})	dB(A)	82
Sound pressure uncertainty (K_{pA})	dB(A)	3
Sound power (L_{WA})	dB(A)	93
Sound power uncertainty (K_{WA})	dB(A)	3

Vibration Total Values ah (Triax Vector Sum)		
$(a_h)_S$	m/s^2	0.5
Uncertainty (K)	m/s^2	1.5
$(a_h)_D$	m/s^2	1.0
Uncertainty (K)	m/s^2	1.5
$(a_h)_ID$	m/s^2	11.7
Uncertainty (K)	m/s^2	1.5

VIBRATION

The declared vibration emission values stated in the technical data and the declaration of conformity have been measured in accordance with a standard test method provided by EN 60745 and may be used for comparing one tool with another. The declared vibration emission value may also be used in a preliminary assessment of exposure.



WARNING! The vibration emission value during actual use of the power tool can differ from the declared value depending on the ways in which the tool is used. The vibration level may increase above the level stated.

When assessing vibration exposure to determine safety measures required by 2002/44/EC to protect persons regularly using power tools in employment, an estimation of vibration exposure should consider, the actual conditions of use and the way the tool is used, including taking account of all parts of the operating cycle such as the times when the tool is switched off and when it is running idle in addition to the trigger time.

EC declaration of conformity
MACHINERY DIRECTIVE

**SCH121 - Hammer Drill**

STANLEY declares that these products described under "technical data" are in compliance with: 2006/42/EC, EN 60745-1:2009 + A11:2010, EN 60745-2-1:2010.

These products also comply with Directive 2014/30/EU and 2011/65/EU. For more information, please contact STANLEY at the following address or refer to the back of the manual.

The undersigned is responsible for compilation of the technical file and makes this declaration on behalf of STANLEY.

R.Laverick
Engineering Manager
STANLEY, Europe, Egide Walschaertsstraat14-18,
2800 Mechelen, Belgium
01.2016

TWO YEAR WARRANTY

If your STANLEY product becomes defective due to faulty materials or workmanship within 24 months from the date of purchase, STANLEY guarantees to replace all defective parts free of charge or – at our discretion – replace the unit free of charge provided that:

- The product has not been misused and has been used in accordance with the instruction manual;
- The product has been subject to fair wear and tear;
- Repairs have not been attempted by unauthorized persons;
- Proof of purchase is produced.
- The STANLEY product is returned complete with all original components
- The product hasn't been used for hire purposes

If you wish to make a claim, contact your seller or check the location of your nearest authorised STANLEY repair agent in the STANLEY catalogue or contact your local STANLEY office at the address indicated in this manual. A list of authorised STANLEY repair agents and full details of our after sales service is available on the internet at: www.2helpU.com

НАЗНАЧЕНИЕ

Ваш перфоратор STANLEY SCH121 12 В Li-Ion предназначен для выполнения операций в лёгком режиме по сверлению и заворачиванию. Данный инструмент предназначен для профессионального использования.

ПРАВИЛА БЕЗОПАСНОСТИ

Общие правила безопасности при работе с электроинструментами



ВНИМАНИЕ! Внимательно прочтите все инструкции по использованию, правила безопасности, спецификации, а также рассмотрите все иллюстрации, входящие в руководство по эксплуатации данного электроинструмента. Несоблюдение всех перечисленных ниже инструкций может привести к поражению электрическим током, возникновению пожара и/или получению серьёзной травмы.

Сохраните все инструкции по безопасности и руководство по эксплуатации для их дальнейшего использования. Термин «Электроинструмент» во всех приведённых ниже указаниях относится к вашему сетевому (с кабелем) электроинструменту или аккумуляторному (беспроводному) электроинструменту.

1. Безопасность рабочего места

- a. Содержите рабочее место в чистоте и обеспечьте хорошее освещение. Плохое освещение или беспорядок на рабочем месте может привести к несчастному случаю.
- b. Не используйте электроинструменты, если есть опасность возгорания или взрыва, например, вблизи легко воспламеняющихся жидкостей, газов или пыли. В процессе работы электроинструменты создают искровые разряды, которые могут воспалить пыль или горючие пары.
- c. Во время работы с электроинструментом не подпускайте близко детей или посторонних лиц. Отвлечение внимания может вызвать у Вас потерю контроля над рабочим процессом.

2. Электробезопасность

- a. Вилка кабеля электроинструмента должна соответствовать штепсельной розетке. Ни в коем случае не видоизменяйте вилку электрического кабеля. Не используйте соединительные штепсели-переходники, если в силовом кабеле электроинструмента есть провод заземления. Использование оригинальной вилки кабеля и соответствующей ей штепсельной розетки уменьшает риск поражения электрическим током.
- b. Во время работы с электроинструментом избегайте физического контакта с заземлёнными объектами, такими как трубопроводы, радиаторы отопления, электроплиты и холодильники. Риск поражения электрическим током увеличивается, если Ваше тело заземлено.
- c. Не используйте электроинструмент под

дождём или во влажной среде. Попадание воды в электроинструмент увеличивает риск поражения электрическим током.

- d. Бережно обращайтесь с электрическим кабелем. Ни в коем случае не используйте кабель для переноски электроинструмента или для вытягивания его вилки из штепсельной розетки. Не подвергайте электрический кабель воздействию высоких температур и смазочных веществ; держите его в стороне от острых кромок и движущихся частей электроинструмента. Повреждённый или запутанный кабель увеличивает риск поражения электрическим током.
 - e. При работе с электроинструментом на открытом воздухе используйте удлинительный кабель, предназначенный для наружных работ. Использование кабеля, пригодного для работы на открытом воздухе, снижает риск поражения электрическим током.
 - f. При необходимости работы с электроинструментом во влажной среде используйте источник питания, оборудованный устройством защитного отключения (УЗО). Использование УЗО снижает риск поражения электрическим током.
- 3. Личная безопасность**
- a. При работе с электроинструментами будьте внимательны, следите за тем, что Вы делаете, и руководствуйтесь здравым смыслом. Не используйте электроинструмент, если Вы устали, а также находясь под действием алкоголя или понижающих реакцию лекарственных препаратов и других средств. Малейшая неосторожность при работе с электроинструментами может привести к серьёзной травме.
 - b. При работе используйте средства индивидуальной защиты. Всегда надевайте защитные очки. Своевременное использование защитного снаряжения, а именно: пылезащитной маски, ботинок на нескользящей подошве, защитного шлема или противосуммовых наушников, значительно снизит риск получения травмы.
 - c. Не допускайте непреднамеренного запуска. Перед тем, как подключить электроинструмент к сети и/или аккумулятору, поднять или перенести его, убедитесь, что выключатель находится в положении «выключено». Не переносите электроинструмент с нажатым курковым выключателем и не подключайте к сетевой розетке электроинструмент, выключатель которого установлен в положение «включено», это может привести к несчастному случаю.
 - d. Перед включением электроинструмента снимите с него все регулировочные или гаечные ключи. Регулировочный или гаечный ключ, оставленный закреплённым на вращающейся части электроинструмента, может стать причиной получения тяжёлой травмы.

- e. Работайте в устойчивой позе. Всегда твёрдо стойте на ногах, сохраняя равновесие.** Это позволит Вам не потерять контроль при работе электроинструментом в непредвиденной ситуации.
- f. Одевайтесь соответствующим образом. Во время работы не надевайте свободную одежду или украшения.** Следите за тем, чтобы Ваши волосы или одежда находились в постоянном отдалении от движущихся частей инструмента. Свободная одежда, украшения или длинные волосы могут попасть в движущиеся части инструмента.
- g. Если электроинструмент снабжён устройством сбора и удаления пыли, убедитесь, что данное устройство подключено и используется надлежащим образом.** Использование устройства пылеудаления значительно снижает риск возникновения несчастного случая, связанного с запылённостью рабочего пространства.
- h. Даже если Вы являетесь опытным пользователем и часто используете подобные инструменты, не позволяйте себе расслабляться и игнорировать правила безопасности при использовании инструментов.** Неосторожность и невнимательность при работе могут привести к тяжёлым травмам за доли секунды.
- 4. Использование электроинструментов и технический уход**
- a. Не перегружайте электроинструмент.** Используйте Ваш инструмент по назначению. Электроинструмент работает надёжно и безопасно только при соблюдении параметров, указанных в его технических характеристиках.
- b. Не используйте электроинструмент, если его выключатель не устанавливается в положение включения или выключения.** Электроинструмент с неисправным выключателем представляет опасность и подлежит ремонту.
- c. Отключайте электроинструмент от сетевой розетки и/или извлекайте аккумулятор (если имеется) перед регулировкой, заменой принадлежностей или при хранении электроинструмента.** Такие меры предосторожности снижают риск случайного включения электроинструмента.
- d. Храните неиспользуемые электроинструменты в недоступном для детей месте и не позволяйте лицам, не знакомым с электроинструментом или данными инструкциями, работать с электроинструментом.** Электроинструменты представляют опасность в руках неопытных пользователей.
- e. Регулярно проверяйте исправность электроинструмента и дополнительных принадлежностей.** Проверяйте точность совмещения и легкость перемещения подвижных частей, целостность деталей и любых других элементов электроинструмента, воздействующих на его работу. Не используйте неисправный электроинструмент, пока он не будет полностью отремонтирован. Большинство несчастных случаев являются следствием недостаточного технического ухода за электроинструментом.
- f. Следите за остротой заточки и чистотой режущих принадлежностей.** Принадлежности с острыми кромками позволяют избежать заклинивания и делают работу менее утомительной.
- g. Используйте электроинструмент, аксессуары и насадки в соответствии с данным Руководством по эксплуатации и с учётом рабочих условий и характера будущей работы.** Использование электроинструмента не по назначению может создать опасную ситуацию.
- h. Следите, чтобы рукоятки и поверхности захвата оставались сухими, чистыми и не содержали следов масла и консистентной смазки.** Скользкие рукоятки и поверхности захвата не обеспечивают безопасное обращение и управление инструментом в неожиданных ситуациях.
- 5. Использование аккумуляторных инструментов и технический уход**
- a. Заряжайте аккумулятор зарядным устройством марки, указанной производителем.** Зарядное устройство, которое подходит к одному типу аккумуляторов, может создать риск возгорания в случае его использования с аккумуляторами другого типа.
- b. Используйте электроинструменты только с разработанными специально для них аккумуляторами.** Использование аккумулятора какой-либо другой марки может привести к возникновению пожара и получению травмы.
- c. Держите не используемый аккумулятор подальше от металлических предметов, таких как скрепки, монеты, ключи, гвозди, шурупы, и других мелких металлических предметов, которые могут замкнуть контакты аккумулятора.** Короткое замыкание контактов аккумулятора может привести к получению ожогов или возникновению пожара.
- d. В критических ситуациях из аккумулятора может вытечь жидкость (электролит); избегайте контакта с кожей. Если жидкость попала на кожу, смойте её водой. Если жидкость попала в глаза, обращайтесь за медицинской помощью.** Жидкость, вытекающая из аккумулятора, может вызвать раздражение или ожоги.
- 6. Техническое обслуживание**
- a. Ремонт вашего электроинструмента должен производиться только квалифицированными специалистами с использованием идентичных запасных частей.** Это обеспечит безопасность вашего электроинструмента в дальнейшей эксплуатации.

- б. Никогда не ремонтируйте самостоятельно повреждённые аккумуляторы.** Ремонт аккумуляторов должен производиться только производителем или в авторизованном сервисном центре.

ДОПОЛНИТЕЛЬНЫЕ МЕРЫ БЕЗОПАСНОСТИ ПРИ РАБОТЕ С ЭЛЕКТРОИНСТРУМЕНТАМИ



ВНИМАНИЕ! Дополнительные правила безопасности при работе дрелями/винтовёртами

- **При сверлении с ударом всегда надевайте противошумовые наушники.** Воздействие шума может привести к потере слуха.
- **При работе пользуйтесь дополнительными рукоятками, прилагающимися к инструменту.** Потеря контроля над инструментом может привести к получению тяжёлой травмы.
- **Держите инструмент за изолированные ручки при выполнении операций, во время которых режущий инструмент может соприкоснуться со скрытой проводкой.** Контакт насадки с находящимся под напряжением проводом делает не покрытые изоляцией металлические части электроинструмента также «живыми», что создаёт опасность поражения оператора электрическим током.
- **Держите инструмент за изолированные ручки при выполнении операций, во время которых крепёжный элемент может соприкоснуться со скрытой проводкой.** Контакт крепёжного элемента с находящимся под напряжением проводом делает не покрытые изоляцией металлические части электроинструмента также «живыми», что создаёт опасность поражения оператора электрическим током.
- **Используйте струбцины или другие приспособления для фиксации обрабатываемой детали, устанавливая их только на неподвижной поверхности.** Если держать обрабатываемую деталь руками или с упором в собственное тело, то можно потерять контроль над инструментом или обрабатываемой деталью.
- Прежде чем сверлить отверстия в стенах, полах или потолках, проверьте наличие электропроводки и трубопроводов.
- Не дотрагивайтесь до наконечника сверла сразу же после окончания сверления, так как он может быть горячим.
- Назначение инструмента описывается в данном руководстве по эксплуатации.
- Использование любых принадлежностей или приспособлений, а также выполнение данным инструментом любых видов работ, не рекомендованных данным руководством по эксплуатации, может привести к несчастному случаю и/или повреждению личного имущества.

БЕЗОПАСНОСТЬ ПОСТОРОННИХ ЛИЦ

- Данное изделие не может использоваться людьми (включая детей) со сниженными

физическими, сенсорными и умственными способностями или при отсутствии необходимого опыта или навыка, за исключением, если они выполняют работу под присмотром лица, отвечающего за их безопасность.

- Не позволяйте детям играть с инструментом.

ОСТАТОЧНЫЕ РИСКИ

При работе данным инструментом возможно возникновение дополнительных остаточных рисков, которые не вошли в описанные здесь правила техники безопасности. Эти риски могут возникнуть при неправильном или продолжительном использовании изделия и т.п.

Несмотря на соблюдение соответствующих инструкций по технике безопасности и использование предохранительных устройств, некоторые остаточные риски невозможно полностью исключить. К ним относятся:

- Травмы в результате касания вращающихся/двигающихся частей инструмента.
- Риск получения травмы во время смены деталей или насадок.
- Риск получения травмы, связанный с продолжительным использованием инструмента. При использовании инструмента в течение продолжительного периода времени делайте регулярные перерывы в работе.
- Ухудшение слуха.
- Ущерб здоровью в результате вдыхания пыли в процессе работы с инструментом (например, при обработке древесины, в особенности, дуба, бука и ДВП).

ЭЛЕКТРОБЕЗОПАСНОСТЬ



Ваше зарядное устройство защищено двойной изоляцией, что исключает потребность в заземляющем проводе.

Всегда проверяйте, соответствует ли напряжение, указанное на табличке с техническими параметрами, напряжению электросети. Ни в коем случае не пытайтесь заменить зарядный блок стандартным сетевым штепселем.

- Во избежание несчастного случая замена повреждённого кабеля питания должна производиться только на заводе-изготовителе или в авторизованном сервисном центре STANLEY.

ДОПОЛНИТЕЛЬНЫЕ МЕРЫ БЕЗОПАСНОСТИ ПРИ РАБОТЕ С АККУМУЛЯТОРАМИ И ЗАРЯДНЫМИ УСТРОЙСТВАМИ

Сохраните данные инструкции: Данное руководство содержит важные инструкции по эксплуатации и технике безопасности для зарядного устройства SC122.

- Перед началом эксплуатации зарядного устройства прочитайте все инструкции и ознакомьтесь с предупредительными символами на зарядном устройстве, аккумуляторе и продукте, работающем от аккумулятора.



ВНИМАНИЕ: Опасность поражения электрическим током. Не допускайте попадания жидкости внутрь зарядного устройства. Это может привести к поражению электрическим током.



ПРЕДУПРЕЖДЕНИЕ: Опасность получения ожога. Для снижения риска получения травмы, заряжайте только перезаряжаемые аккумуляторы марки STANLEY. Аккумуляторы других марок могут взорваться, что приведёт к получению травмы или повреждению зарядного устройства.



ПРЕДУПРЕЖДЕНИЕ: Не позволяйте детям играть с устройством.

ПРЕДОСТЕРЕЖЕНИЕ: В определенных условиях, когда зарядное устройство подключено к электросети, оно может быть закорочено посторонним материалом. Не допускайте попадания токопроводящих материалов, таких как шлифовальная пыль, металлическая стружка, стальная проволока, алюминиевая фольга или любое скопление металлических частиц, в гнезда зарядного устройства. Всегда отключайте зарядное устройство от электросети, если в его гнезде нет аккумулятора. Отключайте зарядное устройство от электросети перед чисткой.

- **НЕ ПЫТАЙТЕСЬ заряжать аккумулятор зарядными устройствами марок, не указанных в данном руководстве.** Зарядное устройство и аккумулятор специально разработаны для совместного использования.
- **Данные зарядные устройства не предусмотрены для зарядки аккумуляторов других марок, кроме STANLEY.** Любое иное использование может привести к риску возникновения пожара, поражения электрическим током или смерти от электрического тока.
- **Не подвергайте зарядное устройство воздействию дождя или снега!**
- **Отключайте зарядное устройство от электросети, вынимая вилку из розетки, а не потянув за кабель!** Это снизит риск повреждения электрической вилки и кабеля.
- **Располагайте кабель таким образом, чтобы на него нельзя было наступить, споткнуться об него, или иным способом повредить или сильно натянуть!**
- **Используйте удлинительный кабель только в случае крайней необходимости!** Использование несоответствующего удлинительного кабеля может создать риск возникновения пожара, поражения электрическим током или смерти от электрического тока.
- **Не кладите на верхнюю часть зарядного устройства какой-либо предмет и не ставьте зарядное устройство на мягкую поверхность, это может блокировать вентиляционные прорези и вызвать чрезмерный внутренний**

нагрев! Располагайте зарядное устройство вдали от источника тепла. Вентиляция зарядного устройства происходит через прорези, расположенные в верхней и нижней части его корпуса.

- **Не эксплуатируйте зарядное устройство, если его кабель или вилка повреждены** – сразу же заменяйте повреждённые детали.
- **Не эксплуатируйте зарядное устройство, если оно получило повреждение вследствие сильного удара или падения или иного внешнего воздействия!** Отнесите его в авторизованный сервисный центр.
- **Не разбирайте зарядное устройство; для проведения технического обслуживания или ремонта отнесите его в авторизованный сервисный центр.** Неправильная сборка может привести к риску поражения электрическим током или смерти от электрического тока.
- В случае повреждения электрического кабеля для предотвращения получения травмы он должен быть немедленно заменён производителем, его сервисным агентом или другим квалифицированным специалистом.
- **Перед каждой операцией чистки отключайте зарядное устройство от электросети. Это снизит риск поражения электрическим током.** Извлечение аккумулятора из зарядного устройства не приводит к снижению этого риска.
- **НИКОГДА не пытайтесь подключить 2 зарядных устройств одновременно!**
- **Зарядное устройство рассчитано на работу от стандартной бытовой электросети. Не пытайтесь подключать его к источнику с другим напряжением.** Данное указание не относится к автомобильному зарядному устройству.

Зарядное устройство

Зарядное устройство SC122 заряжает Li-Ion аккумуляторы напряжением 12 В макс./10,8 В. Данное зарядное устройство не требует регулировки и является наиболее простым в эксплуатации.

МАРКИРОВКА ИНСТРУМЕНТА

Помимо кода даты на инструменте имеются следующие знаки:



ВНИМАНИЕ! Полное ознакомление с руководством по эксплуатации снизит риск получения травмы.



Всегда работайте в защитных очках.



Всегда используйте устройства для защиты органов слуха.

Место положения кода даты

Код даты, который также включает в себя год изготовления, отштампован на поверхности корпуса инструмента.

Пример:

2017 XX JN

Год изготовления

В УПАКОВКУ ВХОДЯТ:

В упаковку входят:

- 1 Перфоратор
 - 1 Зарядное устройство
 - 2 Аккумулятора (С2) или 1 аккумулятор (С1)
 - 1 Руководство по эксплуатации
- Проверьте инструмент, детали и дополнительные приспособления на наличие повреждений, которые могли произойти во время транспортировки.
 - Перед началом работы необходимо внимательно прочитать настоящее руководство и принять к сведению содержащуюся в нем информацию.

ОПИСАНИЕ (Рис. А)

Ваш инструмент может содержать все или некоторые из перечисленных ниже составных частей:

1. Курковый пусковой выключатель
2. Переключатель направления вращения (реверса)
3. Муфта установки крутящего момента
4. Переключатель скоростей
5. Быстрозажимной патрон
6. Отпирающая кнопка аккумулятора
7. Аккумулятор
8. Светодиодная подсветка
9. Муфта

СБОРКА

ВНИМАНИЕ! Перед установкой извлеките из инструмента аккумулятор.

Процедура зарядки (Рис. В)

- Перед тем как вставить аккумулятор, подключите вилку зарядного устройства (9) к соответствующей сетевой розетке.
- Вставьте аккумулятор (6) в зарядное устройство. Красный индикатор (зарядки) начнёт непрерывно мигать, указывая на начало процесса зарядки.
- После завершения зарядки красный индикатор переходит в режим непрерывного свечения. Аккумулятор полностью заряжен, и его можно использовать с инструментом или оставить в зарядном устройстве.

ПРИМЕЧАНИЕ: Для достижения максимальной производительности и продления срока службы Li-Ion аккумуляторов, перед первым использованием полностью зарядите аккумулятор. Состояние заряда аккумулятора смотрите в приведённой ниже таблице

Процесс зарядки

Состояние заряда аккумулятора смотрите в приведённой ниже таблице:

Состояние заряда		SC122
зарядка	— — — — —	мигает зелёный индикатор
полностью заряжен	—	горит зелёный индикатор
холодный/горячий аккумулятор	— — — — —	мигает красный индикатор
повреждённый аккумулятор	•••••	быстро мигает красный индикатор

Пауза для согревания/охлаждения аккумулятора

Зарядное устройство SC122 имеет функцию паузы для согревания/охлаждения аккумулятора: Если зарядное устройство определит, что аккумулятор чрезмерно перегрет, оно автоматически остановит зарядку, пока аккумулятор не охладится. Если зарядное устройство определит, что аккумулятор чрезмерно охлаждён, оно автоматически остановит зарядку, пока аккумулятор не согреется. Красный индикатор продолжит мигать, и процедура зарядки не будет возобновлена. Как только аккумулятор охладится, зарядное устройство продолжит процесс зарядки аккумулятора.

Повреждённый аккумулятор

Зарядное устройство способно обнаружить протечку или наличие неисправности аккумулятора. В том случае красный светодиод начнёт мигать по схеме, обозначенной на этикетке. Если вы видите такое мигание, оповещающее о неисправности аккумулятора, остановите зарядку аккумулятора. Верните аккумулятор в авторизованный сервисный центр или сдайте в приёмный пункт на переработку.

Электронная защитная система

Аккумуляторы Li-Ion спроектированы по Электронной Защитной Системе, которая защищает аккумулятор от перегрузки, перегрева или глубокой разрядки.

При срабатывании Электронной Защитной Системы инструмент автоматически отключится. Если это произошло, поместите Li-Ion аккумулятор в зарядное устройство до его полной зарядки.

Важные инструкции по безопасности для всех аккумуляторов

При заказе аккумуляторов для замены, не забывайте указывать их номер по каталогу и напряжение.

Извлечённый из упаковки аккумулятор заряжен не полностью.

Перед началом эксплуатации аккумулятора и зарядного устройства, прочтите нижеследующие инструкции по безопасности. Затем приступайте к установленной процедуре зарядки.

Прочтите все инструкции

- **Не заряжайте и не используйте аккумулятор во взрывоопасной атмосфере, например, в присутствии легко воспламеняющихся жидкостей, газов или пыли.** При установке

или извлечения аккумулятора из зарядного устройства пыль или газы могут воспламениться.

- **Не вставляйте аккумулятор в зарядное устройство силой. Никоем образом не видоизменяйте аккумулятор для установки в не предназначенное для него зарядное устройство – аккумулятор может расколоться, что приведёт к получению тяжёлой телесной травмы.**
- Заряжайте аккумуляторы только зарядными устройствами STANLEY.
- **НЕ БРЫЗГАЙТЕ** и не погружайте в воду или другие жидкости.
- **Не храните и не используйте инструмент и аккумулятор в местах, в которых температура может достичь или превысить 40°C (например, под наружными навесами или внутри металлических конструкций в летнее время).**



ВНИМАНИЕ: Ни в коем случае не пытайтесь разбирать аккумулятор. Не вставляйте в зарядное устройство аккумулятор с треснувшим или повреждённым корпусом.

Не разбивайте, не бросайте и не ломайте аккумулятор. Не используйте аккумуляторы или зарядные устройства, которые подверглись воздействию резкого удара, удара при падении, попали под тяжёлый предмет или были повреждены каким-либо другим образом (например, проткнуты гвоздём, попали под удар молотка или под ноги). Это может привести к поражению электрическим током или смерти от электрического тока. Повреждённые аккумуляторы должны возвращаться в сервисный центр на переработку.



ПРЕДУПРЕЖДЕНИЕ: Кладите не используемый инструмент набор на устойчивую поверхность в месте, в котором он не создаёт опасность, что об него могут споткнуться и упасть. Некоторые инструменты с аккумуляторами больших размеров ставятся на аккумулятор в вертикальном положении, но их легко опрокинуть.

Специальные инструкции по безопасности для ионно-литиевых (Li-Ion) аккумуляторов

- Не сжигайте аккумулятор, даже если он сильно повреждён или полностью изношен. Аккумулятор в огне может взорваться. При горении ионно-литиевых аккумуляторов выделяются токсичные пары и частицы.
- Если содержимое аккумулятора попало на кожу, немедленно промойте поражённый участок водой с мягким мылом. Если аккумуляторная жидкость попала в глаз, промывайте открытый глаз в течение 15 минут, пока не исчезнет раздражение. Если необходимо обратиться за медицинской помощью, медиков следует поставить в известность, что аккумуляторный электролит состоит из смеси жидкого органического карбоната и солей лития.

Жидкие органические карбонаты и литиевые соли.

- Содержимое открытых элементов аккумулятора может вызывать раздражение органов дыхания. Обеспечьте приток свежего воздуха. Если симптомы сохраняются, обратитесь за медицинской помощью.



ВНИМАНИЕ: Опасность получения ожога. Аккумуляторная жидкость может воспламениться при попадании искры или пламени.

Транспортировка

Аккумуляторы STANLEY соответствуют всем применимым правилам транспортировки, прописанным производителем, а также национальным стандартам, включающим в себя Рекомендации ООН по перевозке опасных грузов; правила международной ассоциации воздушного транспорта (IATA) по перевозке опасных грузов, правила международного морского кодекса по опасным грузам (IMDG) и Европейское соглашение о перевозке опасных грузов автотранспортом (ADR). Каждый ионно-литиевый элемент или аккумулятор протестирован в соответствии с требованиями к испытаниям, указанными в подразделе 38.3 части по испытаниям и критериям Рекомендаций ООН по перевозке опасных грузов. В большинстве случаев, перевозимый аккумулятор STANLEY освобождается от необходимости быть классифицированным, поскольку является материалом 9 класса опасности. Принадлежность к 9 классу опасности учитывается только в двух случаях:

1. Авиаперевозка более чем двух ионно-литиевых аккумуляторов STANLEY при наличии в упаковке только аккумуляторов (без инструментов), и
2. Любой вид перевозки ионно-литиевых аккумуляторов с удельной мощностью, превышающей 100 ватт-часов (Втч). Удельная мощность в ватт-часах указана на корпусе ионно-литиевого аккумулятора.

Вне зависимости от условий перевозки в обязанности грузоотправителя входит уточнение и получение информации о последних действующих правилах упаковки, маркировки и требований к документации.

Во время перевозки аккумуляторов существует риск возгорания при случайном контакте клемм аккумулятора с токопроводящими материалами. При перевозке аккумуляторов убедитесь, что клеммы аккумулятора защищены и надёжно изолированы от любых материалов, контакт с которыми способен вызвать короткое замыкание.

Информация данного раздела руководства по эксплуатации была предоставлена добровольно и на момент создания документа является полностью достоверной. Однако не было дано никаких гарантий - явно выраженных или подразумеваемых. Деятельность в соответствии с правилами и нормами полностью является ответственностью покупателя.

Аккумулятор

Тип аккумулятора

Зарядное устройство SCH121 заряжает аккумуляторы напряжением 12 В макс. и 10,8 В.

Рекомендации по хранению

1. Оптимальным местом для хранения является холодное и сухое место, вдали от прямых солнечных лучей и источников избыточного тепла или холода. Для увеличения производительности и срока службы храните не используемые аккумуляторы при комнатной температуре.
2. Для обеспечения долгого срока службы аккумуляторов при длительном хранении рекомендуется убирать полностью заряженные аккумуляторы в сухое прохладное место вдали от зарядного устройства.

ПРИМЕЧАНИЕ: Не убирайте на хранение полностью разряженные аккумуляторы. Перед использованием аккумулятор потребуется зарядить.

Символы на зарядном устройстве и аккумуляторе

В дополнение к пиктограммам, содержащимся в данном руководстве по эксплуатации, на зарядном устройстве и аккумуляторе имеются символы, которые отображают следующее:



Перед использованием внимательно прочтите данное руководство по эксплуатации.



Время зарядки см. в разделе «Технические характеристики».



Аккумулятор заряжается.



Аккумулятор заряжен.



Аккумулятор неисправен.



Пауза для согревания/охлаждения аккумулятора.



Не касайтесь токопроводящими предметами контактов аккумулятора и зарядного устройства!



Ни в коем случае не пытайтесь заряжать повреждённый аккумулятор!



Не погружайте аккумулятор в воду.



Немедленно заменяйте повреждённый сетевой кабель.



Заряжайте аккумулятор при температуре окружающей среды в пределах 4°C–40°C.



Для использования только внутри помещений.



Утилизируйте отработанный аккумулятор безопасным для окружающей среды способом!

Заряжайте аккумуляторы STANLEY только зарядными устройствами STANLEY. Зарядка аккумуляторов других марок зарядными устройствами STANLEY может привести к протечке или взрыву аккумулятора и другим опасным ситуациям.



Не бросайте аккумулятор в огонь.



ВНИМАНИЕ: Перед сборкой и регулировкой инструмента всегда извлекайте аккумулятор. Перед установкой или снятием аккумулятора всегда выключайте инструмент.



ВНИМАНИЕ: Используйте аккумуляторы и зарядные устройства только марки STANLEY.

Установка и извлечение аккумулятора (Рис. С)



ВНИМАНИЕ: Для снижения риска получения тяжёлой травмы, устанавливайте переключатель направления движения в положение блокировки или выключайте инструмент и извлекайте аккумулятор перед каждой операцией регулировки или снятием/установкой принадлежностей или насадок. Непреднамеренный запуск инструмента может привести к получению травмы.



ПРИМЕЧАНИЕ: Убедитесь, что аккумулятор (6) полностью заряжен.

Для установки аккумулятора в рукоятку инструмента

1. Совместите аккумулятор с бороздками внутри рукоятки инструмента.
2. Вдвигайте аккумулятор в рукоятку, пока не услышите, что замок защёлкнулся на месте.

Для извлечения аккумулятора из инструмента

1. Нажмите на опирающую кнопку (5) и извлеките аккумулятор из рукоятки инструмента.
2. Вставьте аккумулятор в зарядное устройство, как описано в разделе «Зарядное устройство» данного руководства.

ЭКСПЛУАТАЦИЯ

Выбор направления вращения (Рис. D)

Для заворачивания используйте вращение вперед (по часовой стрелке). Для вывинчивания используйте обратное (против часовой стрелки) вращение (реверс).

- Для установки вращения вперёд сдвиньте переключатель направления вращения (2) влево.

- Для установки реверса сдвиньте переключатель направления вращения вправо.
- Для блокировки электроинструмента, установите переключатель реверса в среднее положение.
- При изменении положения кнопки переключателя не забывайте отпускать курковый выключатель.

Курковый пусковой выключатель (Рисунок. А)

Чтобы включить инструмент, нажмите на курковый пусковой выключатель (1). Для выключения инструмента отпустите курковый выключатель. Ваш инструмент оборудован тормозом. Патрон остановится только после того как курковый выключатель будет полностью отпущен.

Встроенный переключатель скорости позволяет выбрать наиболее подходящую скорость для каждой отдельной операции. Увеличение скорости регулируется интенсивностью нажатия на курковый выключатель. В целях продления срока службы Вашего инструмента используйте максимальную скорость только на начальном этапе высверливания отверстий или заворачивания крепёжных элементов.

ПРИМЕЧАНИЕ: Не рекомендуется непрерывно использовать инструмент во всём диапазоне скоростей. Это может привести к повреждению пускового выключателя.

Муфта установки крутящего момента (Рисунок. А, D)

На муфту установки крутящего момента (3) нанесены цифры и символ сверла. Вращайте муфту до установки нужного значения в верхней части инструмента. На муфте предусмотрены указатели в целях предотвращения неточностей при выборе крутящего момента. Чем выше цифра на муфте, тем выше крутящий момент и тем больше размер крепёжной детали, которую можно завернуть. Для блокировки муфты в режиме сверления передвиньте ее на позицию сверла.

ПРИМЕЧАНИЕ: При использовании дрели/шуруповёрта для высверливания отверстий убедитесь, что муфта установки крутящего момента расположена таким образом, чтобы символ сверла был выровнен по центральной линии в верхней части инструмента. В противном случае, при начале сверления муфта будет двигаться.

Переключатель скоростей (Рисунок. А, D)

2-х скоростной редуктор Вашего инструмента позволяет легко переключаться с одной скорости на другую для максимальной универсальности применения инструмента.

Для установки низкой скорости/высокого крутящего момента выключите инструмент и дождитесь его полной остановки.

Переведите переключатель скоростей (4) вперёд (в направлении патрона). Для установки высокой скорости/низкого крутящего момента выключите инструмент и дождитесь его полной остановки. Переведите переключатель скоростей (4) назад (в направлении от патрона).

ПРИМЕЧАНИЕ: Не переключайте скорость при работающем инструменте. Если у Вас возникли

проблемы при переключении скоростей, убедитесь, что переключатель скоростей полностью переведён вперёд или назад.

Светодиодная подсветка

Светодиодная подсветка (8) расположена под муфтой установки крутящего момента (3) и автоматически загорается при нажатии на курковый пусковой выключатель. Светодиодная подсветка загорается при частично нажатом курковом выключателе, до того, как инструмент начнёт свою работу.

ПРИМЕЧАНИЕ: Светодиодная подсветка служит для освещения рабочей поверхности и не предназначена для использования в качестве фонарика.

Быстрозажимной патрон (Рисунок. E)

Ваш инструмент оборудован быстрозажимным патроном с одной поворотной муфтой для легкой и быстрой смены насадок одной рукой. Чтобы вставить сверло или другую насадку, выполните следующие шаги:

1. Заблокируйте курковый пусковой выключатель в положение ВЫКЛ., как было описано выше.
2. Обхватите заднюю часть муфты патрона одной рукой, а другой рукой удерживайте инструмент. Поворачивайте муфту в направлении против часовой стрелки, пока она не сдвинется на расстояние, позволяющее вставить нужную насадку.
3. Вставьте насадку в патрон на глубину приблизительно 19 мм и надёжно затяните, поворачивая муфту патрона по часовой стрелке одной рукой и удерживая инструмент другой рукой. Ваш инструмент оборудован механизмом автоматической блокировки шпинделя. Данный механизм позволяет открывать и затягивать патрон одной рукой. Чтобы извлечь насадку, повторите шаг 2.



ВНИМАНИЕ: Не пытайтесь закрепить сверло (или какую-либо другую насадку), захватив переднюю часть патрона и одновременно включив инструмент. Это может привести к повреждению патрона и получению травмы. При смене насадок всегда блокируйте курковый выключатель в выключенном положении. Для надёжной фиксации насадки всегда затягивайте патрон, поворачивая муфту одной рукой и удерживая инструмент другой рукой.

Снятие патрона (Рисунок. F)

Поверните муфту установки крутящего момента на позицию сверла, а переключатель скоростей в положение 1 (низкая скорость). Зажмите в патроне короткий конец шестигранного ключа (не входит в комплект поставки инструмента) диаметром 6,35 мм (1/4") или более. Деревянным молотком или похожим предметом ударяйте по длинному концу ключа, поворачивая его по часовой стрелке, как показано на рисунке. Таким образом, будет ослаблен винт внутри патрона.

Полностью раскройте кулачки патрона и вставьте отвёртку (или звездообразную насадку, если требуется) в переднюю часть патрона между кулачками, достигая головки винта. Открутите винт по часовой стрелке (левая резьба) и извлеките его

из патрона. Вставьте в патрон шестигранный ключ и затяните, как показано на Рисунке F. Деревянным молотком или похожим предметом ударяйте по ключу, поворачивая его против часовой стрелки. Ослабив, таким образом, патрон, отвинтите его вручную.

Установка патрона (Рисунок. G)

Навинтите патрон вручную насколько возможно и вставьте винт (с левой резьбой). Затяните винт с усилием. Зажмите в патроне короткий конец шестигранного ключа диаметром 6,36 мм (1/4") или более (не входит в комплект поставки инструмента) и деревянным молотком ударяйте по длинному концу ключа, поворачивая его по часовой стрелке, как показано на рисунке. Снова затяните винт, поворачивая его в направлении против часовой стрелки.

Сверление



ВНИМАНИЕ: Для снижения риска получения тяжелой травмы, перед регулировкой или снятием/установкой дополнительных принадлежностей или насадок выключайте инструмент и отсоединяйте его от электросети.



ВНИМАНИЕ: Для снижения риска получения травмы ВСЕГДА надёжно закрепляйте заготовку. При сверлении тонких материалов, для предотвращения их повреждения подкладывайте деревянный брус.

Поверните муфту и установите её на символ сверла. При помощи переключателя скоростей (е) установите скорость и крутящий момент, оптимальные для выполнения задания.

- 1 Всегда используйте только остро заточенные сверла. Для сверления в ДЕРЕВЕ используйте спиральные сверла, перьевые сверла или цифенборы. Для сверления в МЕТАЛЛЕ используйте высокоскоростные спиральные сверла из стали или цифенборы.
- 2 Всегда прикладывайте давление по прямой линии со сверлом. Давление должно быть достаточным для равномерного врезания сверла, но не слишком большим, чтобы не вызвать останов двигателя или отклонение сверла.
- 3 Крепко держите инструмент обеими руками, чтобы контролировать вращательное действие сверла.



ВНИМАНИЕ: В случае перегрузки в результате внезапного закручивания сверла дрель может остановиться. Всегда определяйте причину останова. Крепко держите инструмент обеими руками, чтобы контролировать вращательное действие сверла и избежать получения травмы.

- 4 останов дрели обычно происходит в результате перегрузки инструмента или неправильного использования. Сразу же **ОТПУСТИТЕ ВЫКЛЮЧАТЕЛЬ**, извлеките сверло из заготовки и определите причину останова. **НЕ ПЫТАЙТЕСЬ ВНЕЗАПНО ОСТАНОВИВШИЙСЯ ДВИГАТЕЛЬ, НАЖИМАЯ НА КЛАВИШУ ПУСКОВОГО ВЫКЛЮЧАТЕЛЯ – ИНСТРУМЕНТ**

МОЖЕТ ВЫЙТИ ИЗ СТРОЯ.

- 5 для сведения к минимуму риска внезапного останова инструмента или повреждения обрабатываемого материала Уменьшите давление на дрель и осторожно высверливайте последнюю часть отверстия.
- 6 Не выключайте двигатель при извлечении сверла из высверленного отверстия. Это позволит избежать заклинивания сверла.
- 7 При использовании регулировки скорости нет необходимости предварительно прокормивать высверливаемое отверстие. Начиная сверление, используйте низкую скорость и путем нажатия на курковый выключатель постепенно увеличивайте скорость, пока отверстие не будет достаточно глубоким, чтобы сверло из него не выскочило.

Сверление с ударом (Рисунок. D)

- 1 Поверните муфту (9) и установите её на символ молотка.
- 2 Выберите установку высокой скорости, переключив переключатель скоростей вперёд (в сторону патрона). Важно: Используйте только сверла с твердосплавными напайками или сверла по кирпичу.
- 3 Сверлите, прикладывая к ударной дрели усилие, которое не даст инструменту сильно отскакивать или «подниматься» на сверле. Чрезмерное усилие приводит к снижению скорости сверления, перегреву и снижению частоты ударов.
- 4 Сверлите по прямой линии, держа сверло под прямым углом к заготовке. В процессе сверления не прикладывайте к сверлу боковое давление, так как это приведет к забиванию канавок сверла и снижению скорости сверления.
- 5 Если в процессе высверливания глубоких отверстий скорость ударного сверления начинает падать, извлеките часть сверла из отверстия при работающем инструменте, чтобы очистить отверстие от отходов.

ПРИМЕЧАНИЕ: Плавный и равномерный выход отходов из отверстия указывает на надлежащую скорость сверления.

Использование шуруповёрта

При помощи переключателя скоростей, расположенного в верхней части инструмента, установите скорость и крутящий момент, оптимальные для выполнения задания.

Вставьте в патрон отвёрточную насадку таким же способом, как и сверло. Выполните несколько пробных заворачиваний в обрезке материала или на скрытом участке, чтобы определить правильную позицию муфты установки крутящего момента.

Рекомендованные максимальные параметры

	Низкая скорость- 1	Низкая скорость- 2
Сверление свёрлами по металлу	6.00 мм	3.00 мм
Сверление плоскими свёрлами по дереву	19.00 мм	12.00 мм
Цифенборы	19.00 мм	16.00 мм

ТЕХНИЧЕСКОЕ ОБСЛУЖИВАНИЕ

Ваш электроинструмент STANLEY рассчитан на работу в течение продолжительного времени при минимальном техническом обслуживании. Срок службы и надёжность инструмента увеличивается при правильном уходе и регулярной чистке.



ВНИМАНИЕ: Для снижения риска получения тяжёлой травмы, устанавливайте переключатель направления движения в положение блокировки или выключайте инструмент и извлекайте аккумулятор перед каждой операцией регулировки или снятием/установкой принадлежностей или насадок. Непреднамеренный запуск инструмента может привести к получению травмы.

Зарядное устройство и аккумулятор не требуют технического обслуживания. Внутри нет обслуживаемых пользователем деталей.



Смазка

Ваш электроинструмент не требует дополнительной смазки.



Чистка



ВНИМАНИЕ: Выдувайте грязь и пыль из корпуса сухим сжатым воздухом по мере видимого скопления грязи внутри и вокруг вентиляционных отверстий. Выполняйте данную процедуру, надев средство защиты глаз и респиратор утверждённого типа.



ВНИМАНИЕ: Никогда не используйте растворители или другие агрессивные химические средства для очистки неметаллических деталей инструмента. Эти химикаты могут ухудшить свойства материалов, применённых в данных деталях. Используйте ткань, смоченную в воде с мягким мылом. Не допускайте попадания какой-либо жидкости внутрь инструмента; ни в коем случае не погружайте какую-либо часть инструмента в жидкость.

Инструкции по чистке зарядного устройства



ВНИМАНИЕ: Опасность поражения электрическим током. Перед чисткой отключите зарядное устройство от розетки сети переменного тока. Грязь и масло можно удалять с наружной поверхности зарядного устройства с помощью ткани или мягкой неметаллической щётки. Не используйте воду или любой чистящий раствор.

Дополнительные принадлежности



ВНИМАНИЕ! Поскольку принадлежности, отличные от тех, которые предлагает STANLEY, не проходили тесты на данном изделии, то использование этих принадлежностей может привести к опасной ситуации. Во избежание риска получения травмы, с данным продуктом должны использоваться только дополнительные принадлежности, рекомендованные STANLEY. По вопросу приобретения дополнительных принадлежностей обращайтесь к вашему продавцу.

ЗАЩИТА ОКРУЖАЮЩЕЙ СРЕДЫ



Раздельный сбор. Данное изделие нельзя утилизировать вместе с обычными бытовыми отходами.

Если однажды вы захотите заменить ваше изделие STANLEY или вы больше в нём не нуждаетесь, не выбрасывайте его вместе с бытовыми отходами. Отнесите изделие в специальный приёмный пункт.



Фирма STANLEY обеспечивает приём и переработку отслуживших свой срок изделий STANLEY. Чтобы воспользоваться этой услугой, вы можете сдать ваше изделие в любой авторизованный сервисный центр, который собирает их по нашему поручению.

Вы можете узнать место нахождения вашего ближайшего авторизованного сервисного центра, обратившись в ваш местный офис STANLEY по адресу, указанному в данном руководстве по эксплуатации. Кроме того, список авторизованных сервисных центров STANLEY и полную информацию о нашем послепродажном обслуживании и контактах Вы можете найти в интернете по адресу: www.2helpU.com.

Аккумуляторы



Аккумуляторы STANLEY можно подзаряжать неограниченное количество раз. По окончании срока службы утилизируйте отработанные аккумуляторы безопасным для окружающей среды способом:

- Полностью разрядите аккумулятор, затем извлеките его из инструмента.
- Li-Ion, NiCd и NiMH аккумуляторы подлежат переработке. Сдайте их в любой авторизованный сервисный центр или в местный пункт переработки.

ПРИМЕЧАНИЯ

Политика STANLEY нацелена на постоянное усовершенствование нашей продукции, поэтому фирма оставляет за собой право изменять технические характеристики изделий без предварительного уведомления. Стандартное оборудование и дополнительные принадлежности могут меняться в зависимости от страны продаж. Технические характеристики продуктов могут различаться в зависимости от страны продаж. Полная линия продуктов присутствует на рынках не всех стран. Для получения информации касательно линии продуктов в вашей стране обратитесь в ближайший сервисный центр STANLEY

ИНФОРМАЦИЯ ПО ТЕХНИЧЕСКОМУ ОБСЛУЖИВАНИЮ

STANLEY имеет обширную сеть принадлежащих компании и авторизованных сервисных центров. В целях предоставления клиентам эффективного и надёжного технического обслуживания электроинструментов во всех сервисных центрах STANLEY работает обученный персонал. За дополнительной информацией о наших авторизованных сервисных центрах, а также, если вы нуждаетесь в технической консультации, ремонте или покупке оригинальных запасных частей, обратитесь в ближайший к вам сервисный центр STANLEY.

ТЕХНИЧЕСКИЕ ХАРАКТЕРИСТИКИ

Ударная дрель		SCN121
Напряжение	В пост.тока	12
Число оборотов без нагрузки	об/мин	0-400/0-1500
Кол-во ударов в минуту	об/мин	0-6000/0-22500
Максимальный крутящий момент	Нм	26
Патрон	мм	10
Максимальный диаметр сверления:		
Древесина	мм	20
Металл	мм	10
бетона	мм	8

Зарядное устройство		SC122
Входное напряжение	В перем.тока	220-240
Выходное напряжение	В пост. тока	12
Выходной ток (пост.)	А	1,25
Приблизительное время зарядки	мин	70 (1,5 Ач)

Аккумулятор		SB12S
Напряжение	В перем. тока	12
Ёмкость	Ач	1,5
Тип аккумулятора		Li-Ion

ПРИЗНАЧЕННЯ

Ударний дріль STANLEY SCH121 з літій-іонним акумулятором на 12 В розроблений для легкого прикріплення і свердління. Цей інструмент призначений для професійного використання.

ІНСТРУКЦІ З ТЕХНІКИ БЕЗПЕКИ

Загальні вказівки щодо безпечної роботи з електричним інструментом



УВАГА! Необхідно ретельно ознайомитись із усіма попереджувальними знаками, вказівками щодо безпечної роботи, графічними матеріалами та технічними описами, що додаються до цього електричного інструмента. Недотримання вказівок щодо безпечної роботи може призвести до ураження електричним струмом, пожежі та/або серйозних травм персоналу.

Зберігайте всі попереджувальні написи та вказівки щодо безпечної роботи для використання в майбутньому. Термін «електричний інструмент», що використовується у всіх застережливих написах та вказівках щодо техніки безпеки, представлених нижче, відноситься до електричного інструменту, що працює від мережі (зі шнуром електроживлення) або від акумуляторної батареї (без шнура живлення).

1. Вказівки з техніки безпеки на робочому місці

- a. **Утримуйте робоче місце в чистоті і добре освітленим.** Безлад або погане освітлення на робочому місці можуть призвести до нещасного випадку.
- b. **Не працюйте з електроінструментом в місці зберігання вибухонебезпечних матеріалів, наприклад, у присутності легкозаймистих рідин, газів або пилу.** Електричні інструменти створюють іскри, що можуть запалити пил або пари.
- c. **Забороняється перебування дітей та сторонніх осіб поблизу працюючого електричного інструменту.** Ви можете відволіктися і втратити контроль за роботою інструменту.

2. Електрична безпека

- a. **Вилка шнура живлення інструмента повинна відповідати мережевій розетці.** Забороняється вносити будь-які зміни у вилку шнура живлення. Не використовуйте жодних вилко-перехідників із заземленими (зануленими) електроінструментами. Відсутність змін у вилках шнурів живлення та відповідність електричних вилко і розеток знижує ризик ураження електричним струмом.
- b. **Не торкайтеся поверхонь заземлених чи занулених предметів, наприклад труб, радіаторів, електроплит або**

холодильників. Заземлення чи занулення тіла підвищує ризик ураження електричним струмом.

- c. **Забороняється піддавати електричні інструменти впливу дощу чи підвищеної вологості.** При попаданні вологи всередину електричного інструмента підвищується ризик ураження електричним струмом.
- d. **Забороняється пошкоджувати шнур живлення.** У жодному разі не використовуйте шнур живлення для перенесення чи зміни положення інструмента; не тягніть за шнур, виймаючи вилку з розетки. Не прокладайте шнур живлення поруч із гарячими предметами, мастилом, гострими краями і рухомими деталями. Пошкодження й заплутування шнурів живлення підвищує ризик ураження електричним струмом.
- e. **Під час роботи з електричним інструментом за межами приміщень використовуйте відповідний подовжувач.** Використання подовжувача, призначеного для роботи поза приміщеннями, знижує ризик ураження електричним струмом.
- f. **Якщо електричним інструментом необхідно користуватись у вологому місці, слід використовувати пристрій захисного відключення (ПЗВ) електричної мережі.** Використання ПЗВ знижує ризик ураження електричним струмом.

3. Безпека персоналу

- a. **Під час роботи з електричним інструментом необхідно бути обачним, слідкувати за виконаною роботою та керуватися здоровим глуздом.** Забороняється працювати з електричним інструментом у стані втоми чи під впливом наркотиків, алкоголю й лікарських препаратів. Ослаблення уваги навіть на мить може призвести до серйозної травми.
- b. **Використовуйте засоби індивідуального захисту. Завжди користуйтеся засобами захисту очей.** Використання у відповідних умовах засобів індивідуального захисту, наприклад пилозахисної маски, протиковзного захисного взуття, захисної каски або засобів захисту органів слуху, завжди знижує ризик отримання травми.
- c. **Не допускайте ненавмисного вмикання інструмента.** Перш ніж підключити джерело живлення та/або акумулятор, піднімати чи переносити інструмент, переконайтесь, що його вимикач переведено у положення «вимкнено». Якщо тримати палець на вимикачі під час перенесення інструмента чи підключення увімкненого інструмента до мережі, це підвищує ризик нещасного випадку.
- d. **Перш ніж увімкнути електричний інструмент, обов'язково вийміть із нього регульовальний чи гайковий ключ.** Ключ, залишений ключ на обертальній деталі інструмента, може призвести до травмування.

- e. **Не намагайтеся дотягнутися до важкодоступних місць. Завжди міцно тримайтеся на ногах і зберігайте рівновагу під час роботи.** Це дозволяє краще контролювати електричний інструмент у непередбачуваних ситуаціях.
- f. **Необхідно використовувати захисний одяг. Забороняється одягати вільний одяг та прикраси. Волосся та одяг мають знаходитися на безпечній відстані від рухомих деталей інструменту.** Вільний одяг, прикраси чи довге волосся можуть бути захоплені рухомими елементами.
- g. **Якщо встановлені пристрої підключення засобів пиловловлювання та пилозбірників, необхідно перевіряти, щоб вони були підключені та використовувалися належним чином.** Використання цих пристроїв знижує рівень ризику, пов'язаного з пилом.
- h. **Досвід роботи з електричним інструментом та часте його використання не повинні ставати причиною легковажного ставлення до правил безпечної експлуатації чи їх ігнорування.** Легковажне ставлення навіть на частку секунди може призвести до серйозної травми.
- 4. Використання та догляд за електричним інструментом**
- a. **Не застосуйте надмірне зусилля до електричного інструмента. Використовуйте електричний інструмент тільки за призначенням.** Правильно підібраний електроінструмент дозволить виконати роботу краще і безпечніше при швидкості, для якої він був розроблений.
- b. **Забороняється використовувати цей електричний інструмент, якщо не вдається ввімкнути чи вимкнути його вимикачем.** Будь-який електричний інструмент, роботою якого неможливо керувати за допомогою вимикача, є небезпечним, і його обов'язково потрібно відремонтувати.
- c. **Перш ніж регулювати електричний інструмент, замінювати на ньому приладдя чи класти на зберігання, необхідно витягти вилку живлення з розетки та/або від'єднати від нього акумулятор.** Такий запобіжний захід безпеки знижує ризик ненавмисного увімкнення інструменту.
- d. **Зберігайте електричний інструмент, який в даний момент не використовується, в недоступному для дітей місці та не дозволяйте працювати з інструментом особам, які не знайомі з ним або з цими вказівками.** Електричний інструмент є небезпечним в руках ненавченої людини.
- e. **Технічне обслуговування електроінструмента та приладдя.** Перевіряйте центрування та з'єднання рухомих деталей, наявність пошкоджених деталей та будь-які фактори, які можуть негативно позначитися на роботі електричного інструмента. У разі виявлення пошкодження електричний інструмент необхідно відремонтувати перед використанням. Багато нещасних випадків трапляється через неналежне технічне обслуговування електричних інструментів.
- f. **Ріжучі інструменти мають бути загостреними й чистими.** Підтримуваний у належному робочому стані ріжучий інструмент з гострими лезами менше застряє, ним легше керувати.
- g. **Використовуйте електричний інструмент, приладдя, вставні різці і т. п. відповідно до даних вказівок, враховуючи умови експлуатації та роботу, яка має бути виконана.** Використання електричного інструменту не за призначенням може призвести до небезпечної ситуації.
- h. **Необхідно забезпечувати відсутність бруду, вологи та залишків оливи та мастила на рукоятках та поверхнях утримання інструменту.** Слизькі рукоятки та поверхні утримання є джерелами небезпеки під час роботи з електричним інструментом та не дозволяють надійно керувати інструментом в нештатних ситуаціях.
- 5. Використання акумуляторної батареї та догляд за нею**
- a. **Зарядження акумуляторної батареї повинне виконуватися тільки за допомогою того зарядного пристрою, який вказав виробник акумуляторної батареї.** Якщо зарядний пристрій, який підходить для одного типу акумулятора, використовувати для зарядки акумулятора іншого типу, це може призвести до виникнення пожежонебезпечної ситуації.
- b. **Використовуйте електричний інструмент тільки з конкретно зазначеними акумуляторними батареями.** Використання будь-яких інших акумуляторних батарей підвищує ризик травмивання та виникнення пожежонебезпечної ситуації.
- c. **Якщо акумуляторна батарея не використовується, вона повинна зберігатися окремо від металевих предметів, таких як канцелярські скріпки, монети, ключі, цвяхи, шурупи та інші невеликі металеві предмети, які можуть закоротити клеми батареї.** Коротке замикання клем акумуляторної батареї може призвести до опіків або пожежі.
- d. **В умовах неправильної експлуатації рідкий електроліт може бути викинутий з акумуляторної батареї, тому слід остерігатися контакту з електролітом.** Якщо стався випадковий контакт з рідким електролітом, промийте це місце водою. Якщо рідина потрапила в очі, необхідно також звернутися за медичною допомогою. Контакт з рідиною, викинутою з акумуляторної батареї, може призвести до подразнення або опіків.

6. Обслуговування

- a. **Обслуговувати електричний інструмент повинні тільки кваліфікований ремонтний персонал, і під час обслуговування повинні використовуватися тільки оригінальні запасні частини.** Це дозволить підтримувати безпечний стан електричного інструмента.
- b. **Забороняється проводити ремонт пошкоджених акумуляторних батарей.** Ремонт і обслуговування акумуляторних батарей повинен проводити виробник або кваліфіковані працівники авторизованого сервісного центру.

ДОДАТКОВІ ЗАСТЕРЕЖЕННЯ З ТЕХНІКИ БЕЗПЕКИ ПРИ РОБОТІ З ЕЛЕКТРИЧНИМ ІНСТРУМЕНТОМ



УВАГА! Додаткові вказівки щодо безпечної роботи з дрилем/шурупвертом.

- **При роботі з ударними дрелями надавайте засоби захисту органів слуху.** Вплив шуму може призвести до порушення слуху.
- **Використовуйте допоміжні рукоятки, які поставляються разом з інструментом.** Втрата управління інструментом може призвести до травмування.
- **Під час виконання робіт, коли ріжуча деталь електричного інструменту може стикатися з прихованою електропроводкою, інструмент необхідно тримати за діелектричну поверхню.** При контактні ріжучої деталі з проводом під напругою, під напругу можуть потрапити металеві деталі електричного інструменту, внаслідок чого виникає небезпека ураження оператора електричним струмом.
- **Під час виконання робіт, коли кріпильна деталь електричного інструменту може стикатися з прихованою електропроводкою, інструмент необхідно тримати за діелектричну поверхню.** При контактні кріпильної деталі з проводом під напругою, під напругу можуть потрапити металеві деталі електричного інструменту, внаслідок чого виникає небезпека ураження оператора електричним струмом.
- **Для фіксації положення оброблюваної деталі на стійкій основі використовуйте затискачі або інший зручний і практичний спосіб.** Якщо тримати деталь руками або притискати її до тіла, вона буде перебувати в незакріпленому положенні, що може призвести до втрати контролю за роботою інструменту.
- Перед виконанням свердління стін, підлог і стель перевіряйте розташування електропроводки і труб.
- Не торкайтеся наконечника свердла дрилі після свердління, оскільки він може бути гарячим.

- Призначення інструменту описане в цій інструкції з експлуатації. Використання будь-якого приладдя і додаткових пристосувань разом з цим інструментом або використання інструменту в цілях, які не рекомендовані в цій інструкції, може призвести до виникнення ризику травмування персоналу та пошкодження майна.

БЕЗПЕКА ІНШИХ ОСІБ

- Цей інструмент не призначений для використання особами (включаючи дітей) з обмеженими фізичними, сенсорними або розумовими здібностями або особами, у яких відсутній необхідний досвід і знання, крім випадків, коли вони знаходяться під наглядом і отримали належні інструкції по роботі з інструментом від особи, відповідальної за їхню безпеку.
- Щоб діти не гралися з інструментом, вони повинні знаходитися під наглядом.

ЗАЛИШКОВИЙ РИЗИК

Додатковий залишковий ризик може виникнути у випадках використання інструменту, які можуть бути не враховані в перерахованих вказівках щодо безпечної роботи. Така небезпека може виникати в разі неправильного або тривалого використання тощо.

Навіть в разі дотримання всіх відповідних правил техніки безпеки та використанні захисних пристроїв деякі залишкові небезпеки все ж залишаються. Серед них:

- травми, отримані внаслідок торкання обертових і рухомих деталей;
- травми, отримані під час заміни деталей, ножів та приладдя;
- травми, отримані внаслідок тривалого використання інструменту. В разі тривалого використання інструменту необхідно робити регулярні перерви в роботі;
- погіршення слуху;
- Погіршення здоров'я, викликане вдиханням пилу, що з'являється під час роботи інструменту (наприклад, під час роботи з деревом, особливо з дубом, буком або ДВП).

ЕЛЕКТРИЧНА БЕЗПЕКА



Ваш зарядний пристрій має подвійну ізоляцію, і тому дріт заземлення йому не потрібен. Завжди перевіряйте, щоб мережева напруга відповідала значенню, зазначеному в таблиці з паспортними даними. Ніколи не намагайтеся замінити вилку в блоці зарядного пристрою звичайною мережевою вилкою.

- У разі пошкодження кабелю живлення, щоб уникнути виникнення небезпечних ситуацій, його заміну повинен виконати виробник обладнання або уповноважений сервісний центр STANLEY.

**ВАЖЛИВІ ВКАЗІВКИ З ТЕХНІКИ БЕЗПЕКИ
ДЛЯ УСІХ ЗАРЯДНИХ ПРИСТРОЇВ**

Збережіть ці інструкції: Даний посібник містить важливі вказівки з техніки безпеки та правил експлуатації для зарядних пристроїв акумуляторних батарей для SC121.

- Перед використанням зарядного пристрою необхідно ознайомитись із усіма вказівками та попередженнями щодо зарядного пристрою, акумуляторної батареї та інструменту, що використовує акумуляторні батареї.



ОБЕРЕЖНО: Небезпека ураження електричним струмом. Уникайте потрапляння будь-яких рідин всередину зарядного пристрою. Це може спричинити ураження електричним струмом.



УВАГА: Небезпека отримання опіків. Щоб уникнути травми, використовуйте зарядний пристрій лише для заряджання акумуляторних батарей STANLEY. Заряджання інших типів акумуляторних батарей може спричинити вибух, який призведе до травмування людей і пошкодження майна.



УВАГА: Щоб діти не гралися з інструментом, вони повинні знаходитися під наглядом.

ПРИМІТКА: За певних умов, якщо зарядний пристрій під'єднано до мережі живлення, сторонні предмети можуть спричинити коротке замикання клем. Необхідно запобігати потраплянню сторонніх речовин, що проводять електричний струм, в тому числі металевих дрітв, шліфувального пилу, металевої стружки, сталевого пилу, алюмінієвої фольги або будь-яких інших металевих часток всередину отворів в корпусі зарядного пристрою. Якщо до зарядного пристрою не під'єднана батарея, його необхідно від'єднувати від мережі живлення. Перед початком чищення треба також від'єднувати зарядний пристрій від мережі.

- **ЗАБОРОНЯЄТЬСЯ** заряджати акумуляторну батарею будь-якими зарядними пристроями, окрім вказаних у цій інструкції. Зарядний пристрій та акумуляторна батарея розроблені спеціально для роботи у парі.
- Ці зарядні пристрої призначені лише для заряджання багаторазових акумуляторних батарей виробництва STANLEY. Використання їх з будь-якою іншою метою може призвести до пожежі, ураження електричним струмом або смерті від нього.
- Зарядний пристрій не повинен піддаватися впливу дощу або снігу.
- Під час від'єднання пристрою від мережі необхідно тягнути за штекер, а не за шнур. Це дозволить зменшити ризик пошкодження шнура та штекера.
- Розташуйте шнур живлення таким чином, щоб не наступати на нього, не переїжджати

його та не піддавати його іншим механічним навантаженням та пошкодженням.

- Використовувати шнур-подовжувач можна тільки в разі крайньої необхідності. Використання невідповідного подовжувача може призвести до пожежі, ураження електричним струмом або смерті від нього.
- **Забороняється накривати зарядний пристрій та класти його на м'яку поверхню, оскільки це може призвести до блокування вентиляційних отворів та викликати перегрівання.** Розташуйте зарядний пристрій на безпечній відстані від джерел тепла. Вентиляція зарядного пристрою відбувається через отвори в верхній та нижній частині корпусу.
- **Забороняється експлуатація пристрою з пошкодженням шнуром або штекером** — їх необхідно негайно замінити.
- **Забороняється використовувати зарядний пристрій, якщо він зазнав сильного удару, впав на тверду поверхню або був пошкоджений будь-яким іншим чином.** Відправте його до авторизованого сервісного центру.
- **Забороняється розбирати зарядний пристрій. В разі потреби в проведенні ремонту відправте його до авторизованого сервісного центру.** Некоректно розібраний зарядний пристрій може спричинити ураження електричним струмом, смерть або пожежу.
- Якщо пошкоджено шнур живлення, його потрібно негайно замінити. Щоб уникнути небезпеки, по заміну зверніться до виробника, його сервісного агента або відповідного кваліфікованого спеціаліста.
- **Перед початком чищення від'єднайте зарядний пристрій від розетки. Це дозволить зменшити ризик ураження електричним струмом.** Якщо від'єднати акумуляторну батарею, ризик не зменшиться.
- **ЗАБОРОНЯЄТЬСЯ з'єднувати разом 2 зарядних пристрої.**
- Зарядний пристрій працює від побутової мережі живлення. **Забороняється під'єднувати зарядний пристрій до мережі живлення з будь-якою іншою напругою.** Ця вимога не стосується автомобільних зарядних пристроїв.

Зарядні пристрої

Зарядний пристрій SC122 може заряджати літій-іонні акумулятори 12 В Max / 10,8 В. Зарядний пристрій не потребує налаштування та створений для максимально зручного використання

НАКЛЕЙКИ НА ІНСТРУМЕНТІ

До поверхні інструменту разом з кодом дати прикріплені наступні графічні зображення:



ОБЕРЕЖНО! Для зниження ризику травмування оператор повинен прочитати цю інструкцію з експлуатації.



Завжди вдягайте захисні окуляри.



Завжди користуйтеся засобами захисту органів слуху.

Положення коду з датою

На корпусі надрукований код з датою, який також містить рік виготовлення.

Приклад:

2017 XX JN

Рік виготовлення

ДО КОМПЛЕКТУ ПОСТАВКИ ВХОДЯТЬ

Комплект поставки включає:

- 1 Ударний дріль
 - 1 зарядний пристрій
 - 2 акумулятори (C2) або 1 акумулятор (C1)
 - 1 Інструкцію з експлуатації
- Перевірте інструмент, деталі та приладдя на відсутність пошкоджень, що могли виникнути внаслідок транспортування.
 - Перед початком експлуатації уважно прочитайте посібник користувача.

ДЕТАЛІ ІНСТРУМЕНТА (РИС. А)

Цей побутовий прилад може мати всі або деякі з перерахованих нижче функцій.

1. Тригерний вмикач
2. Кнопка «вперед/назад»
3. Регулятор моменту обертання
4. Селектор перемикання двох діапазонів передачі
5. Патрон (без ключа)
6. Кнопка вивільнення акумулятора
7. Акумулятор
8. Світлодіод для освітлення робочого поля
9. Регулятор режиму роботи

МОНТАЖ

ОБЕРЕЖНО! Перед виконанням збірки дістаньте акумулятор з інструменту.

Процедура заряджання (Рис. В)

- Перш ніж вставляти акумуляторну батарею, вставте зарядний пристрій (9) у відповідну розетку.
- Вставте акумуляторну батарею (6) в зарядний пристрій. Червоний індикатор (заряджання) почне блимати, вказуючи на те, що процес заряджання розпочався.
- Після завершення заряджання червоний індикатор світитиметься безперервно. Акумуляторна батарея повністю заряджена та

готова до використання. Її можна залишити у зарядному пристрої.

ПРИМІТКА: Для забезпечення максимальної ефективності та строку служби літій-іонної акумуляторної батареї перед першим використанням рекомендується повністю її зарядити.

Процес Заряджання В таблицях нижче наведено індикацію різних станів заряду.

Стан процесу заряджання	SC122
заряджання	 зелений індикатор блимає
повністю заряджений	 індикатор постійно горить
гарячий/холодний акумулятор	 блимає червоний індикатор
акумулятор пошкоджено	 червоний індикатор спалахує

Затримка через перегрів/переохолодження акумуляторної батареї

Зарядний пристрій SC122 має функцію затримки через перегрів/переохолодження. Якщо зарядний пристрій визначає підвищення температури батареї, він автоматично призупиняє процес заряджання до охолодження батареї. Якщо зарядний пристрій визначає зменшення температури батареї, він автоматично призупиняє процес заряджання до нагрівання батареї. Червоний індикатор продовжуватиме блимати, пристрій не зможе розпочати процедуру заряджання. Після того, як акумуляторна батарея охолоне, зарядний пристрій відновить процедуру заряджання.

Батарея пошкоджена

Зарядний пристрій може визначити слабку або пошкоджену акумуляторну батарею. Червоний світлодіодний індикатор блимає у послідовності, вказаній на рисунку. Якщо ви бачите, що послідовність блимання індикатора свідчить про несправність батареї, заряджати батарею заборонено. Відправте її в сервісний центр або до утилізаційного центру для переробки.

Електронна система захисту

Літій-іонні акумулятори містять Систему електронного захисту, яка не допускає їх перевантаження, перегрівання або надто глибокого розрядження.

У таких випадках акумулятор буде автоматично відключений цією Системою. Якщо це відбулося, приєднайте літій-іонний акумулятор до пристрою для зарядження і повністю зарядіть його.

Важливі правила техніки безпеки, що стосуються всіх акумуляторів

Під час замовлення акумуляторів на заміну вкажіть їх номер за каталогом та характеристики напруги.

Акумулятор, що знаходиться в упаковці, не заряджений повністю. Перед тим, як використовувати акумулятор та пристрій для

зарядження, вивчіть інструкції, наведені нижче. Після цього виконайте вказівки щодо процедури зарядження акумулятора.

Вивчіть інструкції

- **Не заряджайте та не використовуйте акумулятор у вибухонебезпечному середовищі, наприклад, поруч із займистими рідинами, в атмосфері займистого газу або за наявності займистого пилю.** В цих умовах вставлення акумулятора в пристрій для зарядження або виймання його з такого пристрою може привести до займання пилю або випарів.
- **Не застосовуйте силу під час вставлення акумулятора в пристрій для зарядження. Не змінюйте тим чи іншим чином конструкцію акумулятора для того, щоб він підходив до пристрою для зарядження, який не розрахований на його використання; це може призвести до поломки акумулятора і, внаслідок цього, до серйозних травм оператора.**
- Заряджайте акумулятори тільки за допомогою зарядних пристроїв виробництва компанії «СТЕНЛІ».
- **НЕ ДОПУСКАЙТЕ** потрапляння води та інших рідин на акумулятор та пристрій для його зарядження та не занурюйте їх в ці рідини.
- **Не зберігайте та не використовуйте акумулятори та пристрої для їх заряджання в місцях, де температура може бути більшою за 40 °C (105 °F), напр., біля гаражів чи інших металевих будівель в сонячну погоду).**



ЗАСТЕРЕЖЕННЯ: Ні за яких умов не розбирайте акумулятор. Якщо корпус акумулятора має тріщини або інші пошкодження, не вставляйте його в пристрій для зарядження. Не робіть ударів по корпусу акумулятора, не роняйте його та не пошкоджуйте. Не використовуйте акумулятор або пристрій для його заряджання, якщо по них чимось вдарили, якщо вони падали чи на них падав важкий предмет, або якщо вони були пошкоджені іншим чином (напр., були пробиті цвяхом, по них вдарили молотком, наступили на них тощо). Наслідком може бути ураження електричним струмом або загибель оператора. Акумулятор, що вийшов з ладу, слід надіслати до сервісного центру для утилізації.



ПОПЕРЕДЖЕННЯ: Якщо виробі не використовують, тримайте їх у відведеному для цього місці (на стабільній поверхні, на якій вони не будуть переміщуватись та з якої не впадуть). Зауважте, що деякі інструменти з акумулятором великих розмірів, які можна поставити вертикально на акумулятор, можуть легко перекинутись.

- Не утилізуйте акумулятор шляхом його спалювання, навіть якщо він був серйозно пошкоджений або повністю вийшов з ладу. Такий акумулятор може вибухнути у вогні.

Під час спалювання літій-іонних акумуляторів утворюються шкідливі леткі продукти згорання.

- Якщо матеріал, що знаходився всередині акумулятора, потрапив на шкіру, терміново промийте уражену ділянку шкіри рідким миючим засобом та водою. Якщо рідина з акумулятора потрапила в око, промивайте відкриті око водою упродовж 15 хвилин або до припинення відчуття "жару". Інформація для медиків: електроліт акумулятора містить суміш рідких органічних сполук-карбонатів та солі літію.
- Речовини, що знаходяться всередині акумулятора, можуть викликати подразнення респіраторних шляхів. Виведіть постраждалого на свіже повітря. Якщо симптоми не зникли, зверніться по медичну допомогу.



ЗАСТЕРЕЖЕННЯ: Небезпека виникнення пожежі. Рідина, що міститься в акумуляторі, може зайнятися під дією іскри або вогню.

Транспортування

Акумуляторні батареї STANLEY відповідають вимогам усіх чинних правил перевезення, що містяться в галузевих стандартах та законодавчих актах, в тому числі Рекомендаціях ООН щодо транспортування небезпечних товарів, Правилах міжнародної асоціації авіаперевізників (IATA) щодо транспортування небезпечних товарів, Правилах транспортування небезпечних товарів морським транспортом (IMDG), а також Європейської угоди щодо міжнародного транспортування небезпечних товарів автомобільними дорогами (ADR). Літій-іонні елементи живлення та акумуляторні батареї пройшли випробування згідно пункту 38.3 Рекомендацій ООН щодо транспортування небезпечних товарів (Інструкція з проведення випробувань та критерії оцінювання). В більшості випадків транспортування акумуляторних батарей STANLEY не підлягає регулюванню згідно Класу 9 (Небезпечні вироби). Взагалі, є тільки два випадки, коли акумуляторні батареї можуть бути класифіковані як небезпечні вироби Класу 9:

1. перевезення авіатранспортом більш ніж двох літій-іонних акумуляторних батарей STANLEY, якщо в упаковці є тільки акумуляторні батареї (без інструменту);
2. перевезення акумуляторної батареї, номінальна потужність якої перевищує 100 ват-годин (Вт-год). Усі літій-іонні батареї мають номінальне значення потужності, вказане на корпусі.

Незалежно від того, чи вважається виріб небезпечним вантажем, чи ні, перевізник несе відповідальність за дотримання чинних актів

щодо пакування, маркування та оформлення реєстраційних документів.

Транспортування акумуляторних батарей може стати причиною пожежі, якщо контакти акумуляторної батареї торкнуться предмету, що проводить струм. В разі необхідності перевезення акумуляторних батарей необхідно забезпечити надійний захист відкритих клем від можливого контакту з матеріалами, що можуть викликати коротке замикання.

Інформація, що міститься в цьому розділі, надає добросовісно та на момент складання документу вважається точною. Проте жодної гарантії не надається. Покупець несе відповідальність щодо дотримання усіх чинних нормативних актів.

Акумуляторна батарея

Тип акумулятора

SCH121 працює з акумуляторною батареєю 12V.

Рекомендації зі зберігання

1. Рекомендується зберігати в прохолодному сухому місці без впливу прямих сонячних променів, а також занадто високих та занадто низьких температур. Для оптимальної ефективності та строку служби зберігати акумуляторну батарею потрібно за кімнатної температури.
2. В разі довгострокового зберігання для досягнення оптимальних результатів рекомендується зберігати повністю заряджену акумуляторну батарею в сухому прохолодному місці.


ПРИМІТКА: Забороняється зберігати повністю розряджені акумуляторні батареї. Перед початком використання необхідно повністю зарядити акумуляторну батарею.

Маркування на зарядному пристрої та акумуляторній батареї

Окрім значків, які використано в цьому посібнику, на акумуляторну батарею та зарядний пристрій нанесено такі умовні позначення:

 Перед використанням необхідно прочитати посібник з експлуатації.



 Час заряджання див. в розділі «Технічні характеристики».



Акумуляторна батарея заряджається.



Акумуляторна батарея заряджена.



Акумуляторна батарея несправна.



Затримка через перегрів/переохолодження акумуляторної батареї.



Забороняється торкатися предметами, що проводять струм.



Не заряджайте пошкоджені акумуляторні батареї.



Не піддавайте зарядний пристрій впливу води.



Пошкоджені електричні шнури необхідно замінювати негайно.



Заряджати за температури від 4 °C до 40 °C.



Для використання тільки всередині приміщень.



Утилізувати акумуляторну батарею дозволяється тільки у екологічно безпечний спосіб.



Заряджати акумуляторні батареї STANLEY дозволяється тільки в зарядному пристрої STANLEY. Заряджання акумуляторної батареї STANLEY сторонніми зарядними пристроями призводить до вибуху або інших небезпечних ситуацій.



Забороняється спалювати акумуляторну батарею.



ОБЕРЕЖНО: Перед збиранням та налаштуванням завжди виймайте акумуляторну батарею. Завжди вимикайте інструмент, перш ніж вставляти або виймати акумуляторну батарею.



ОБЕРЕЖНО: Використовуйте акумуляторні батареї та зарядні пристрої виключно компанії STANLEY.

Встановлення та зняття акумуляторної батареї з інструменту (Рис. С)



ОБЕРЕЖНО: Щоб запобігти травмуванню, перед початком регулювання або зняття та встановлення приладдя необхідно завжди переводити кнопку напрямку обертання вперед/назад в положення блокування або вимикати інструмент та від'єднувати акумуляторну батарею. Раптове увімкнення може призвести до травмування.



ПРИМІТКА: Переконайтесь в тому, що ваша акумуляторна батарея (б) повністю заряджена.

Для встановлення акумуляторної батареї в рукоятку інструмента

1. Сумістіть акумуляторну батарею з напрямними пазами в рукоятці.
2. Із зусиллям вставте її на місце, ви маєте почути звук клацання при фіксації батареї.

Для зняття акумуляторної батареї з інструменту

1. Натисніть кнопку розблокування (5) та із зусиллям потягніть акумуляторну батарею назовні, вийнявши її з рукоятки інструмента.
2. Вставте акумуляторну батарею в зарядний пристрій, як описано в розділі про зарядний пристрій даного посібника.

ВИКОРИСТАННЯ

Правильне положення рук (рис. А, Н)



УВАГА: Щоб зменшити ризик отримання серйозної травми, ЗАВЖДИ правильно розташовуйте руки щодо інструмента.



УВАГА: Щоб зменшити ризик отримання серйозної травми, ЗАВЖДИ займайте правильне стійке положення.

Правильне положення рук на інструменті припускає завжди тримати одну руку на основній рукоятці інструменту (9)

Вибір напрямку обертання (Рис. D)

Для затягування слід встановити напрям напрямком обертання вперед (за годинниковою стрілкою). Для послаблення слід встановити напрямком обертання назад (проти годинникової стрілки).

- Щоб вибрати прямиий напрямком обертання, посуňte рухомий перемикач прямого/зворотного напрямку обертання (2) вліво.
- Щоб вибрати зворотний напрямком обертання, посуňte рухомий перемикач прямого/зворотного напрямку обертання вправо.
- Щоб заблокувати інструмент, встановіть рухомий перемикач прямого/зворотного напрямку обертання в центральне положення.
- Під час зміни положення перемикача напрямку обертання необхідно, щоб пусковий вимикач був відпущений.

Курковий перемикач (Мал. А)

Щоб включити інструмент потрібно натиснути на вимикач (1). Для увімкнення інструменту, відпустіть тригерний вимикач. Ваш інструмент оснащений гальмом. Патрон зупиниться, коли курковий перемикач повністю відпустити.

Перемикач з безступінчастим регулюванням швидкості дозволяє вибрати оптимальну швидкість для конкретного використання. Чим сильніше ви натискаєте курковий перемикач, тим швидше швидкість роботи інструменту. Для максимального терміну служби інструменту використовуйте змінну швидкість тільки на початку свердління отворів або монтажу елементів кріплення

ПРИМІТКА: Безперервне використання змінної швидкості не рекомендується. Це може призвести до пошкодження перемикача і цього слід уникати.

Муфта регулювання крутного моменту (рис. А, D)

Муфта регулювання крутного моменту (3) має нанесені Муфту необхідно повернути в необхідне положення та сумістити з відповідною позначкою на верхній частині корпусу інструменту. Числові значення нанесені на муфту з метою точної установки крутного моменту. Чим вище значення числа на муфті, тим відповідно вище буде зусилля крутного моменту. Для переведення інструменту в режим свердління, встановіть муфту у відповідне положення.

ПРИМІТКА: при використанні дрилу / шуруповерта в режимі свердління, переконайтеся, що муфта регулювання крутного моменту встановлена в положення відповідно до малюнку свердла на ній і збігається з відміткою на верхній частині корпусу інструменту. Данна дія дозволяє уникнути проковзування муфти при свердлінні.

Перемикач двох діапазонів швидкості (рис. А, D)

Функція перемикач двох діапазонів швидкості дрилу розширює діапазон робочих налаштувань інструменту.

Для встановлення низької швидкості/високого крутного моменту вимкніть інструмент і дочекайтесь його повної зупинки. Переведіть перемикач швидкостей (4) вперед (в напрямку до патрона). Для встановлення високої швидкості/низького крутного моменту вимкніть інструмент і дочекайтесь його повної зупинки. Швидкостей переконайтесь в тому, що перемикач швидкостей повністю переведений вперед чи назад.

ПРИМІТКА: Не перемикайте швидкість, коли інструмент працює. Якщо виникли проблеми з перемикачем передачі, перевірте, чи зміщена кнопка перемикача в той чи інший бік до упору.

Світлодіод для освітлення робочого поля

Світлодіодне підсвічування (8) розташоване під муфтою регулювання крутного моменту (3). Підсвічування активується, коли клавіша включення / виключення знаходиться в натиснутому стані

Примітка: Світлодіод призначений для освітлення робочого поля і не повинен використовуватись як сигнальний.

Патрон без ключа (рис. E)

Ваш інструмент оснащений швидкозакримним патроном, який дозволяє провести зміну аксесуарів однією рукою. Щоб замінити свердло або аксесуар, виконайте такі дії:

1. Зафіксуйте клавішу пуску у вимкненому положення, як описано вище.
2. Візьміться за чорний корпус Патрон з одного боку, і поверніть надійно тримаючи інструмент іншою рукою. Повертайте патрон проти годинникової стрілки досить довго, щоб встановити необхідну приналежність.
3. Встановіть приналежність з посадкою 19 мм (3/4") в патрон і надійно затягніть, обертаючи

за годинниковою стрілкою стрілкою патроном рукою з одного боку, надійно утримуючи інструмент другою рукою. Ваш інструмент оснащений автоматичним механізмом блокування шпинделя. Це дозволяє відкривати і закривати патрон однією рукою. Щоб звільнити аксесуар, повторіть крок 2 вище.



УВАГА: Не намагайтеся закріпити свердло (або будь-який інший аксесуар), взявшись за передню частину патрона і повертаючи інструмент. Це може призвести до пошкодження патрона і отримання травми. Завжди блокуйте пускову кнопку при заміні аксесуарів і приладдя.

Обов'язково при затягуванні патрона однією рукою, другою рукою щільно притримуйте інструмент і знаходьтеся в стійкому становищі.

Зняття патрона (рис. F)

Встановіть муфту в положення свердління, а перемикач швидкостей у положення 1 (низька швидкість). Зафіксуйте патрон на короткому кінці шестигранного ключа (не входить в комплект поставки) 6,35 мм (1/4 ") або більшого розміру. Використовуючи дерев'яну киянку або аналогічний інструмент вдарте по довгому кінцю ключа в бік обертання годинникової стрілки, як показано нижче. Ця дія послабить гвинт всередині патрона.

Відкрийте "губки" патрона повністю і вставте викрутку (або будь-який інструмент з роз'ємом TORX у разі необхідності) в передній частині патрона між "губками", щоб зафіксувати головку гвинта. Відкрутіть гвинт за годинниковою стрілкою (лівостороння різьба). Після цього повторно зафіксуйте патрон на короткому кінці шестигранного ключа (не входить в комплект поставки) 6,35 мм (1/4 ") або більшого розміру. Використовуючи дерев'яну киянку або аналогічний інструмент вдарте по довгому кінцю ключа в бік обертання годинникової стрілки. Це дозволить послабити патрон так, щоб його можна було від'єднати вручну.

Установка патрона (рис. G)

Наживте несущий гвинт патрона вручну наскільки можливо (лівостороння різьба). Затягніть гвинт. Зафіксуйте патрон на короткому кінці шестигранного ключа (не входить в комплект поставки) 6,35 мм (1/4 ") або більшого розміру. Використовуючи дерев'яну киянку або аналогічний інструмент вдарте по довгому кінцю ключа проти обертання годинникової стрілки.

Дії з дрилем.



УВАГА: Щоб виключити ризик отримання серйозної травми, вимкніть інструмент та від'єднайте його від джерела живлення, перш ніж робити які-небудь дії з інструментом по установці / зняттю приладдя.



УВАГА: Щоб виключити ризик отримання серйозної травми, ЗАВЖДИ міцно закріплюйте заготовку з якою ви працюєте. При свердлінні тонкого

матеріалу, використовуйте дерев'яний блок "підкладку", щоб уникнути шкідливих наслідків для матеріалів і робочих поверхонь.

Встановіть муфту регулювання в положення свердління. Виберіть необхідний діапазон швидкості / крутного моменту за допомогою регульовальної муфти, за допомогою клавші перемикачання, щоб домогтися відповідних показників для планованої роботи.

- 1 Використовуйте тільки гострі свердла. Для деревини, використовуйте Спіральні свердла, біти лопати або коронки. Для металевих, використовуйте високошвидкісні сталеві (HSS) Спіральні свердла або отвір пилки.
- 2 Завжди застосуйте не сильне натискання по прямій лінії. Використовуйте достатній тиск, щоб інструмент не зісковзував, але в той же час не використовуйте занадто сильне натискання, яке призводить до гальмування двигуна.
- 3 Тримайте інструмент під час роботи двома руками перебуваючи в стійкому положенні, щоб контролювати роботу.



УВАГА: свердло може зупинитися при занадто сильному навантаженні, викликаючи тим самим несподіваний "ривок" інструмента. Завжди чекайте такої можливості. Міцно тримайте інструмент двома руками, щоб уникнути травм.

- 4 якщо інструмент зупиняється, це є наслідком перевантаження або неправильного використання. негайно відпустіть пускову клавшу, видаліть свердло з робочої зони і визначте причину зупинки. Не натискайте пускову клавшу повторно у спробі продовжити роботу відразу після зупинки свердла - це може пошкодити інструмент.
- 5 Щоб зменшити ризик розтягування або розриву матеріалу, зменшіть тиск на інструмент і намагайтесь закінчити роботу на малій швидкості.
- 6 При вилученні свердла з отвору, включаєте реверсне обертання для уникнення заклинювання свердла.
- 7 При наявності регульованої швидкості немає необхідності використовувати керн для Засвердлювання. Використовуйте малу швидкість, щоб почати свердління і збільшуйте швидкість по мірі засвердлювання глибше.

Робота ударного дреля (рис. D)

1. Поверніть регулятор (9) у положення ударного дреля.
2. Виберіть настройку великої кількості обертів, зсунувши перемикач вперед (в сторону затисненого патрона). Важливо: Використовуйте свердла тільки з твердосплавним наконечником або з тонкостінною алмазною коронкою.
3. Під час свердління прикладайте рівно стільки зусиль, скільки необхідно для

уникнення надмірної віддачі інструмента або «відриву» свердла від матеріалу. Завелике зусилля призведе до зменшення кількості обертів, перегріву інструмента і зниження продуктивності свердління.

- Свердлити необхідно перпендикулярно до робочої поверхні. Не прикладайте бічне зусилля до свердла під час свердління, оскільки це призведе до засмічення канавок свердла і уповільнення свердління.
- Якщо під час свердління глибоких отворів швидкість ударного дрילה починає падати, не вимикаючи інструмент частково витягніть свердло з отвору, щоб видалити з нього відходи свердління.

ПРИМІТКА: Плавний і рівномірний потік пилу з отвору вказує на правильно обрану швидкість свердління.

Роботи в режимі шурупверта

Виберіть необхідний діапазон швидкості / крутного моменту за допомогою подвійної настройки муфти крутного моменту і швидкості для запланованої операції.

Вставте необхідний аксесуар в патрон, як і будь яке свердло. Зробіть кілька пробних обертань для зразку щоб визначити оптимальні крутний момент при застосуванні у вашій роботі.

Максимальна рекомендована потужність

	Низький діапазон-1	Низький діапазон-2
Метал, звичайні свердла, Свердління	6.00 mm	3.00 mm
Деревина, перові свердла, Розсвердлювання	19.00 mm	12.00 mm
Кільцеві пили	19.00 mm	16.00 mm

ТЕХНІЧНЕ ОБСЛУГОВУВАННЯ

Конструкція інструмента STANLEY розрахована на роботу протягом тривалого періоду часу з мінімальним технічним обслуговуванням. Тривала задовільна робота інструменту залежить від належного догляду та регулярного чищення.



ОБЕРЕЖНО: Щоб запобігти травмуванню, перед початком регулювання або зняття та встановлення приладдя необхідно завжди переводити кнопку обертання вперед/назад в положення

блокування або вимкати інструмент та від'єднувати акумуляторну батарею. Раптове увімкнення може призвести до травмування.

Зарядний пристрій та акумуляторна батарея не потребують обслуговування. Всередині них немає деталей, призначених для обслуговування.



Змащування

Ваш електричний інструмент не потребує додаткового змащування.



Очищення



ОБЕРЕЖНО: Видувати бруд і пил з корпусу дозволяється за допомогою сухого повітря під тиском по мірі накопичення бруду всередині і навколо вентиляційних отворів. Під час виконання цієї процедури необхідно використовувати засоби захисту очей і респіратор встановленого зразка.



ОБЕРЕЖНО: Для очищення неметалевих частин інструменту забороняється використовувати розчинники та агресивні хімічні речовини. Ці хімічні речовини можуть пошкодити матеріали, з яких складаються ці деталі. Для очищення потрібно використовувати суху ганчірку та м'який мильний розчин. Не дозволяється проникнення рідини всередину інструменту і занурення інструменту будь-якою частиною в рідину.

Інструкції з чищення зарядного пристрою



ОБЕРЕЖНО: Небезпека ураження електричним струмом. Перед початком чищення від'єднайте зарядний пристрій від розетки. Щоб очистити бруд та мастило з зовнішніх поверхонь виробу, його необхідно протерти тканиною або м'якою неметалічною щіткою.

Додаткове приладдя



ОБЕРЕЖНО! Оскільки приладдя сторонніх виробників, що не входять до переліку приладдя STANLEY, не було випробоване з цим виробом, його використання може бути небезпечним. Для запобігання травмування використовуйте лише рекомендовані компанією STANLEY приладдя та обладнання. Детальну інформацію про доступне приладдя можна дізнатися у офіційного дилера.

ЗАХИСТ НАВКОЛИШНЬОГО СЕРЕДОВИЩА



Роздільний збір відходів. Забороняється утилізувати цей виріб разом зі звичайними побутовими відходами.

Якщо ви вирішите, що ваш виріб STANLEY необхідно замінити, або припините його використовувати, не викидайте його разом із побутовими відходами. Цей виріб підлягає роздільному збору відходів.



Компанія STANLEY має систему збору і повторної переробки виробів STANLEY після закінчення терміну експлуатації. Щоб скористатися перевагою цього

сервісу, будь ласка, надішліть ваш вибір будь-якому уповноваженому представнику з ремонту, який збирає такі вироби від нашого імені.

Адресу вашого найближчого уповноваженого представника з ремонту можна дізнатися, звернувшись у регіональне представництво STANLEY за адресою, наведеною в цій інструкції. Крім того, список уповноважених представників з ремонту STANLEY, детальну інформацію про обслуговування після продажу та контактні дані можна знайти на сайті: www.2helpU.com.

Акумуляторні батареї



Акумуляторні батареї STANLEY можна неодноразово перезаряджати. Після завершення терміну служби виконайте утилізацію акумуляторної батареї відповідно до екологічних норм:

- Коли акумуляторна батарея повністю виробить свій ресурс, дістаньте її з інструменту.
- Нікель-кадмієві, нікель-металгідридні і літій-іонні акумуляторні батареї придатні для вторинної переробки. Відправте їх будь-якому уповноваженому представнику з ремонту або в місцевий центр з вторинної переробки.

ПРИМІТКИ

Одним із принципів політики STANLEY є постійне вдосконалення наших виробів, тому ми залишаємо за собою право змінювати характеристики нашої продукції без попереднього сповіщення. Перелік стандартного та додаткового обладнання може різнитися залежно від країни. Технічні характеристики виробів можуть різнитися залежно від країни. Повний асортимент продукції може бути доступний не в усіх країнах. З питання наявності наших продуктів зверніться до дилера STANLEY.

ІНФОРМАЦІЯ З ОБСЛУГОВУВАННЯ

Компанія STANLEY має широку мережу власних та авторизованих сервісних центрів. Всі сервісні центри компанії STANLEY укомплектовано персоналом із відповідною підготовкою, який виконує ефективне і надійне сервісне обслуговування власників електричних інструментів. Щоб отримати додаткову інформацію про авторизовані сервісні центри, пораду технічного спеціаліста чи замовити ремонт та оригінальні запасні частини, зверніться до найближчого представництва STANLEY.

ТЕХНІЧНІ ХАРАКТЕРИСТИКИ

Ударний дріль

SCN121

Напруга	Впост. ст.	12
Швидкість обертання в режимі без навантаження	хв. ⁻¹	0-400/0-1500
Частота ударів	хв. ⁻¹	0-6000/0-22500
Макс. Крутильний момент Найбільший діаметр свердла,	Нм	26
яке можна затиснути у патроні	мм	10

Максимальна місткість буріння:

Деревина	мм	20
Метал	мм	10
бетоні	мм	8

Зарядний пристрій

SC122

Вхідна напруга	Взм.ст	220-240
Вихідна напруга	Впост. ст.	12
Вихідний струм (пост.с.)	А	1,25
Приблиз. час зарядки	хв.	70 (1,5 А·год)

Акумуляторна батарея

SB12S

Напруга	Взм.ст	12
Ємність	А·год	1,5
Тип		літій-іонна

KULLANIM AMACI

STANLEY SCH121 12V Li-Ion darbeli matkap/tornavidanız hafif vida takma/sökme ve delme işlemleri için tasarlanmıştır. Bu alet profesyonel kullanım içindir.

GÜVENLİK TALİMATLARI

Genel elektrikli alet güvenlik uyarıları



UYARI! Bu elektrikli alet ile verilen tüm güvenlik uyarıları, talimatlar, resimli açıklamalar ve teknik özellikleri okuyun.

Aşağıda belirtilen tüm talimatların herhangi birisine uyulmaması elektrik çarpması, yangın ve/veya ciddi yaralanma riskine neden olabilir.

Bütün uyarı ve güvenlik talimatlarını ilerde bakmak üzere saklayın. Aşağıda yer alan uyarılardaki «elektrikli alet» terimi şebeke elektrikle (kablolu) veya akü/pille (şarjlı) çalışan elektrikli aletinizi ifade etmektedir.

1. Çalışma alanının güvenliği

- Çalışma alanını temiz ve aydınlık tutun.** Karışık veya karanlık alanlar kazaya davetiye çıkarır.
- Elektrikli aletleri, yanıcı sıvılar, gazlar ve tozların bulunduğu yerler gibi yanıcı ortamlarda çalıştırmayın.** Elektrikli aletler, toz veya dumanları ateşleyebilecek kıvılcımlar çıkarır.
- Bir elektrikli aleti çalıştırırken çocuklardan ve etraftaki kişilerden uzak tutun.** Dikkatinizi dağıtıcı şeyler kontrolü kaybetmenize neden olabilir.

2. Elektrik güvenliği

- Elektrikli aletlerin fişleri prizlere uygun olmalıdır. Fiş üzerinde kesinlikle hiçbir değişiklik yapmayın.** Topraklı elektrikli aletlerde hiçbir adaptör fişi kullanmayın. Değiştirilmemiş fişler ve uygun prizler elektrik çarpması riskini azaltacaktır.
- Borular, radyatörler, ocaklar ve buzdolapları gibi topraklanmamış yüzeylerle vücut temasından kaçının.** Vücudunuzun topraklanması halinde yüksek bir elektrik çarpması riski vardır.
- Elektrikli aletleri yağmura maruz bırakmayın veya ıslatmayın.** Elektrikli alete su girmesi elektrik çarpması riskini arttıracaktır.
- Elektrik kablosunu uygun olmayan amaçlarla kullanmayın.** Elektrikli aleti kesinlikle kablosundan tutarak taşımayın, çekmeyin veya prizden çıkartmayın. Kabloyu sıcaktan, yağdan, keskin kenarlardan veya hareketli parçalardan uzak tutun. Hasarlı veya dolanmış kablolar elektrik çarpması riskini artırır.
- Elektrikli bir aleti açık havada çalıştırıyorsanız, açık havada kullanıma uygun bir uzatma kablosu kullanın.** Açık havada kullanıma uygun bir kablounun kullanılması elektrik çarpması riskini azaltır.
- Eğer bir elektrikli aletin nemli bir bölgede**

çalıştırılması zorunluysa, bir artık akım aygıtı (RCD)korumalı bir kaynak kullanın. Bir RCD kullanılması elektrik şoku riskini azaltır.

3. Kişisel güvenlik

- Elektrikli bir aleti kullanırken her zaman dikkatli olun, yaptığınız işe yoğunlaşın ve sağduyulu davranın.** Elektrikli bir aleti yorgunken veya ilaç ya da alkolün etkisi altındayken kullanmayın. Elektrikli aletleri kullanırken bir anlık dikkatsizlik ciddi kişisel yaralanmayla sonuçlanabilir.
 - Kişisel koruyucu ekipmanları mutlaka kullanın. Daima koruyucu gözlük takın.** Koşullara uygun toz maskesi, kaymayan güvenlik ayakkabıları, baret veya kulaklık gibi koruyucu donanımların kullanılması kişisel yaralanmaları azaltacaktır.
 - İstem dışı çalıştırılmasını önleyin. Aleti güç kaynağına ve/veya aküye bağlamadan, yerden kaldırmadan veya taşımadan önce açma/kapama düğmesinin kapalı konumda olduğundan emin olun.** Aleti, parmağınız tetik üzerinde bulunacak şekilde taşımak veya açık konumdaki elektrikli aletleri elektrik şebekesine bağlamak kazaya davetiye çıkarır.
 - Elektrikli aleti açmadan önce tüm ayarlama anahtarlarını çıkartın.** Elektrikli aletin hareketli bir parçasına takılı kalmış bir anahtar kişisel yaralanmaya neden olabilir.
 - Ulaşmakta zorlandığınız yerlerde kullanmayın. Daima sağlam ve dengeli basın.** Bu, beklenmedik durumlarda elektrikli aletin daha iyi kontrol edilmesine olanak tanır.
 - Uygun şekilde giyinin. Bol elbiseler giymeyin ve takı takmayın.** Saçınızı ve elbiselerinizi hareketli parçalardan uzak tutun. Bol elbiseler ve takılar veya uzun saç hareketli parçalara takılabilir.
 - Eğer kullandığınız üründe toz emme ve toplama özellikleri olan ataşmanlar varsa bunların bağlı olduğundan ve doğru şekilde kullanıldığını emin olun.** Bu toz toplama ataşmanların kullanılması tozla ilgili tehlikeleri azaltabilir.
 - Aletlerin sık kullanımından edindiğiniz aşinalığın sizi dikkatsiz kılmasına ve alet güvenli prensiplerini önemsememeye izin vermeyin.** Dikkatsiz bir eylem, bir saniyeden daha az sürede ciddi yaralanmalara neden olabilir.
- ### 4. Elektrikli aletlerin kullanımı ve bakımı
- Elektrikli aleti zorlamayın. Uygulanamaz için doğru elektrikli aleti kullanın.** Doğru elektrikli alet, belirlendiği kapasite ayarında kullanıldığında daha iyi ve güvenli çalışacaktır.
 - Tetik açmıyor ve kapatıyorsa elektrikli aleti kullanmayın.** Tetikle kontrol edilemeyen tüm elektrikli aletler tehlikelidir ve tamir edilmesi gerekmektedir.
 - Herhangi bir ayarlama, aksesuar değişimi veya elektrikli aletlerin saklanması öncesinde**

fişi güç kaynağından çekin ve/veya aküyü elektrikli aletten ayırın. Bu tür önleyici güvenlik tedbirleri aletin istem dışı olarak çalıştırılması riskini azaltacaktır.

- d. Elektrikli aleti, çocukların ulaşamayacağı yerlerde saklayın ve elektrikli aleti tanımayan veya bu talimatları bilmeyen kişilerin elektrikli aleti kullanmasına izin vermeyin.** Elektrikli aletler, eğitimsiz kullanıcıların elinde tehlikelidir.
- e. Elektrikli aletleri ve aksesuarları iyi durumda muhafaza edin.** Hareketli parçalardaki hizalama hatalarını ve tutuklukları, parçalardaki kırılmalar ve elektrikli aletin çalışmasını etkileyebilecek tüm diğer koşulları kontrol edin. **Hasarlı ise, elektrikli aleti kullanmadan önce tamir ettirin.** Kazaların çoğu, elektrikli aletlerin bakımının yeterli şekilde yapılmamasından kaynaklanır.
- f. Kesim aletlerini keskin ve temiz tutun.** Bakımı uygun şekilde yapılmış keskin kesim uçlu kesim aletlerinin sıklıkla ihtimali daha düşüktür ve kontrol edilmesine daha kolaydır.
- g. Elektrikli aleti, aksesuarlarını ve aletin diğer parçalarını kullanırken bu talimatlara mutlaka uyun ve çalışma ortamının koşullarını ve yapılacak işin ne olduğunu göz önünde bulundurun.** Elektrikli aletin öngörülen işlemler dışındaki işlemler için kullanılması tehlikeli durumlara neden olabilir.
- h. Kolları ve kavrama yüzeylerini kuru, yağsız ve gressiz tutun.** Kaygan kollar ve kavrama yüzeyleri, beklenmeyen durumlarda aletin güvenli bir şekilde taşınması ve kontrol edilmesine izin vermez.
- 5. Akü/pille çalışan aletin kullanımı ve bakımı**
- a. Sadece üretici tarafından belirtilen şarj cihazı ile şarj edin.** Bir akü tipine uygun bir şarj cihazı başka tipte bir aküyü şarj etmek için kullanıldığında yangın riski yaratabilir.
- b. Elektrikli aletleri yalnızca özel olarak tanımlanmış akülerle kullanın.** Başka bir akünün kullanılması yaralanma veya yangın riskine yol açabilir.
- c. Akü kullanımda değilken, ataç, bozuk para, anahtar, çivi, vida veya terminaler arasında kontağa neden olabilecek diğer küçük metal nesnelere uzak tutulmalıdır.** Akü terminalerinin birbirine kısa devre yapılması yanıklara veya yangına neden olabilir.
- d. Sıra dışı koşullarda sıvı aküden dışarı akabilir, temastan kaçının. Yanlışlıkla cilde temas edilirse su ile yıkayın. Gözle temas durumunda ayrıca doktora başvurun.** Aküden sıvı akması ciltte tahriş veya yanmaya neden olabilir.
- 6. Servis**
- a. Elektrikli aletinizi, sadece orijinal yedek parçaların kullanıldığı yetkili servise tamir ettirin.** Bu, elektrikli aletin güvenliğinin muhafaza edilmesini sağlayacaktır.

- b. Hasarlı akülerini asla tamir etmeyin.** Akülerin tamiri sadece üretici veya yetkili servis tarafından yapılmalıdır.

ELEKTRİKLİ EL ALETLERİ İÇİN EK GÜVENLİK TALİMATLARI



UYARI! Matkaplar/tornavidalar için ek güvenlik talimatları

- Darbeli matkap ile çalışırken kulaklık takın.** Yüksek sese maruz kalmak işitme kaybına yol açabilir.
- Aletle birlikte verilmiş olan yardımcı tutma kollarını kullanın.** Kontrol kaybı kişisel yaralanmalara neden olabilir.
- Kesme aksesuarının gizli kablolarla temas edebileceği yerlerde çalışma yaparken elektrikli aleti yalıtımlı kavrama yüzeylerinden tutun.** Kesme aksesuarının «akım taşıyan» bir kabloya temas etmesi durumunda elektrikli aletin metal kısımları da «akım taşıyıcı» hale gelecek ve kullanıcının elektrik çarpmasına neden olabilir.
- Bağlantı parçasının gizli kablolarla temas edebileceği yerlerde çalışma yaparken elektrikli aleti yalıtımlı kavrama yüzeylerinden tutun.** Bağlantı parçasının «akım taşıyan» bir kabloya temas etmesi durumunda elektrikli aletin metal kısımları da «akım taşıyıcı» hale gelecek ve kullanıcının elektrik çarpmasına neden olabilir.
- Üzerinde çalıştığınız parçayı sabitlemek ve desteklemek için kelepçeler veya başka pratik yöntemler kullanın.** Parçayı elle veya vücudunuza dayamanız dengesiz durmasna neden olacaktır ve aletin kontrolünü kaybetmenize yol açabilir.
- Duvar, zemin veya tavanda delik açmadan önce kablo ve boruların konumunu kontrol edin.**
- Delme işleminin hemen ardından matkap ucuna dokunmaktan kaçının; sıcak olabilir.**
- Kullanım amacı bu kullanım kılavuzunda açıklanmıştır.** Herhangi bir aksesuarını veya bağlantısını ya da işlemin, bu kılavuzda tavsiye edilen şekilden başka bir şekilde kullanılması şahısların yaralanmalarına ve/veya mal kaybına yol açabilir.

DiĞER KiŞİLERİN GÜVENLİĞİ

- Bu alet fiziksel ve zihinsel kapasitesinin yanı sıra algılama gücü azalmış olan veya yeterince deneyim ve bilgisi bulunmayan kişiler (çocuklar dahil) tarafından kullanılmak üzere üretilmemiştir.** Bu tür kişiler aleti ancak güvenliklerinden sorumlu bir kişi tarafından cihazın kullanımıyla ilgili talimatların verilmesi veya sürekli kontrol altında tutulması durumunda kullanılabilir.
- Çocuklar, aletle oynamalarını önlemek amacıyla kontrol altında tutulmalıdır.**

DiĞER TEHLİKELER

Aletin kullanımıyla ilgili ekte sunulan güvenlik uyarılarına dahil olmayan ilave kalıcı riskler ortaya

çıkabilir. Bu riskler, hatalı, uzun süreli kullanım vb. dolayısıyla ortaya çıkabilir.

Emniyet tedbirlerini düzenleyen yönetmeliğin uygulanmasına ve emniyet sağlayıcı aygıtların kullanılmasına rağmen, başka belirli risklerden kaçınılamaz. Bunlar:

- Aletin dönen ve hareket eden parçalarına dokunma sonucu ortaya çıkan yaralanmalar.
- Herhangi bir parçayı, bıçak veya aksesuarı değiştirirken ortaya çıkan yaralanmalar.
- Aletin uzun süreli kullanılması sonucu ortaya çıkan yaralanmalar. Herhangi bir aleti uzun sürelerle kullanırsanız düzenli olarak çalışmaya ara verin.
- Duyma bozukluğu.
- Aleti kullanırken ortaya çıkan tozun solunması sonucu ortaya çıkan sağlık sorunları (örnek: ahsapta çalışırken, özellikle meşe, akgürgeç ve MDF).

ELEKTRİK GÜVENLİĞİ



Şarj cihazınız çift yalıtımlıdır. Bu yüzden hiçbir topraklama kablosuna gerek yoktur. Her zaman şebeke geriliminin aletin üretim etiketinde belirlenmiş değerlere uyup uymadığını kontrol edin. Şarj cihazını kesinlikle normal bir elektrik fişi ile değiştirmeye kalkışmayın.

- Elektrik kablosu hasarlı ise, bir tehlike oluşmasını önlemek için üretici ya da yetkili STANLEY Servis Merkezi tarafından değiştirilmelidir.

TÜM AKÜ ŞARJ CİHAZLARI İÇİN ÖNEMLİ GÜVENLİK TALİMATLARI

Bu talimatları saklayın:Bu kılavuz SC122 şarj cihazları hakkında önemli güvenlik ve çalıştırma talimatları içerir.

- Şarj cihazını kullanmadan önce şarj cihazının, akünün ve üründen kullanılan akünün üzerindeki talimatları ve uyarıcı işaretleri okuyun.



UYARI: Elektrik çarpması tehlikesi. Şarj cihazının içine sıvı kaçmasına izin vermeyin. Elektrik çarpmasına neden olabilir.



DİKKAT: Yanma tehlikesi. Yaralanma riskini azaltmak için, yalnızca STANLEY şarj edilebilir akülerini şarj edin. Diğer akü tipleri patlayarak yaralanmanıza veya hasar meydana gelmesine yol açabilir.



DİKKAT: Çocuklar, aletle oynamalarını önlemek amacıyla kontrol altında tutulmalıdır.

İKAZ: Belirli koşullar altında, şarj cihazı güç kaynağına takılıyken, yabancı maddeler tarafından kısa devre yapılabilir. Bunlarla sınırlı olmamak kaydıyla iletken nitelikteki taşlama tozu, metal yongalar, çelik yünü, alüminyum folyo veya metal parçacık birikimi gibi yabancı maddeler şarj cihazının yuvalarından uzak tutulmalıdır. Yuvalarda akü yokken şarj cihazını daima güç kaynağından çıkarın. Şarj cihazının fişini temizlemeden önce çıkarın.

- **Aküyü bu kılavuzdaki şarj cihazlarından başka cihazlarla şarj etmeye ÇALIŞMAYIN.** Şarj cihazı ve akü özellikle birlikte çalışacak şekilde tasarlanmıştır.

- **Bu şarj cihazları STANLEY şarj edilebilir akülerini şarj etmekten başka kullanımlar için tasarlanmamıştır.** Başka kullanımlar yangın veya elektrik çarpmasına yol açabilir.

- **Şarj cihazını yağmura veya kara maruz bırakmayın.**

- **Şarj cihazını fişten çıkarırken kablodan değil fişten tutarak çekin.** Bu, elektrik fişine ve kablosuna hasar verilmesi riskini azaltır.

- **Kablonun üzerine basılmayacak, ortalıkta gezinmeyecek veya başka şekilde hasara ve gerginliğe maruz kalmayacak şekilde yerleştirildiğinden emin olun.**

- **Kesinlikle gerekli olmadıkça bir uzatma kablosu kullanmayın.** Yanlış uzatma kablosu kullanımı yangın veya elektrik çarpmasına neden olabilir.

- **Şarj cihazının üzerine herhangi bir eşya koymayın veya şarj cihazını havalandırma deliklerini kapatıp aşırı iç sıcaklığa neden olabilecek yumuşak bir yüzeye yerleştirmeyin.** Şarj cihazını herhangi bir ısı kaynağından uzaktaki bir yere koyun. Şarj cihazı muhafazanın üstündeki ve altındaki delikler aracılığıyla havalandırılır.

- **Şarj cihazını hasarlı kordon veya fişle çalıştırmayın** — bunları derhal değiştirin.

- **Şarj cihazını sert bir darbe aldıysa, düştüyse veya herhangi bir şekilde hasar gördüyse çalıştırmayın.** Yetkili bir servis merkezine götürün.

- Şarj cihazını sökmeyin; servis veya onarım gerektiğinde yetkili bir servis merkezine götürün. Yanlış yeniden takma elektrik çarpmasına veya yangına yol açabilir.

- **Elektrik kablosu hasarlı ise, bir tehlike oluşmasını önlemek için üretici ya da yetkili Servis Merkezi tarafından değiştirilmelidir.**

- **Herhangi bir temizlik işlemi yapmadan önce şarj cihazının fişini prizden çekin.** Bu, elektrik çarpması riskini azaltır. Aküyü çıkarmak bu riski azaltmaz.

- **ASLA 2 şarj cihazını bir arada bağlamaya çalışmayın.**

- **Şarj cihazı standart ev elektrik gücüyle çalışmak üzere tasarlanmıştır.** Başka herhangi bir voltaj ile kullanmayı denemeyin. Bu araba şarj cihazı için geçerli değildir.

Şarj cihazları

SC122 şarj cihazı maks. 12V / 10,8V Li-Ion akülerle çalışır. Şarj cihazı ayarlama gerektirmez ve kullanımı mümkün olduğunca kolay olacak şekilde tasarlanmıştır.

ALET ÜZERİNDEKİ ETİKETLER

Alet üzerinde, tarih kodu ve aşağıdaki uyarı sembolleri bulunmaktadır:



UYARI! Yaralanma riskini en aza indirmek için kullanıcı kullanım talimatlarını mutlaka okumalıdır.



Daima koruyucu gözlük takın



Daima koruyucu kulaklık takın

Tarih kodu konumu

İmalat yılını da içeren Tarih Kodu gövdeye basılıdır.

Örnek:

2017 XX JN

İmalat Yılı

AMBALAJ, AŞAĞIDAKİ PARÇALARI İÇERMEKTEDİR

Ambalaj, aşağıdaki parçaları içermektedir:

- 1 Darbeli matkap/Tornavida
- 1 Şarj cihazı
- 2 Akü (S2) veya 1 akü (S1)
- 1 Kullanım kılavuzu
- Alette, parçalarda veya aksesuarlarda nakliye sırasında meydana gelmiş olabilecek hasarı kontrol edin.
- Aleti çalıştırmadan önce, bu kullanım kılavuzunu baştan sonra okuyup anlamak için gerekli zamanı ayırın.

ÖZELLİKLER (ŞEKİL A)

Bu alet, aşağıdaki özelliklerin bir kısmını veya tümünü içermektedir.

1. Açma/kapama tetiği
2. İleri/geri kontrol düğmesi
3. Tork ayarlama bileziği
4. Vites mandalı
5. Anahtarsız mandren
6. Akü çıkartma düğmesi
7. Akü
8. LED aydınlatma
9. Ayar bileziği





MONTAJ

UYARI! Montajdan önce aküyü aletten çıkartın.

Şarj etme (Şekil B)

- Aküyü takmadan önce, şarj cihazının (9) fişini uygun prize takın.
- Aküyü (6) şarj cihazına takın. Kırmızı (şarj) ışığın sürekli yanıp sönmesi, şarj işleminin başladığını gösterir.
- Kırmızı ışığın sürekli AÇIK kalması, şarjın tamamlandığını gösterir. Akü tamamen şarj olmuştur ve hemen kullanılabilir veya şarj cihazında bırakılabilir.

NOT: Li-Ion akülerden maksimum performans almak ve akülerin kullanım ömrünü uzatmak için, kullanmadan önce aküyü tamamen şarj edin. Akünün şarj durumu için aşağıdaki tabloya bakın.

Şarj durumu	SC122
şarj edilmesi	-----  yeşil yanıp sönecektir
tamamen şarj oldu	-----  yeşil yanar
sıcak/soğuk akü	-----  kırmızı yanıp sönecektir
hasarlı akü  kırmızı hızlı yanıp sönecektir

Sıcak/soğuk akü gecikmesi

Şarj cihazı SC122 sıcak/soğuk akü gecikmesi özelliğine sahiptir. Şarj cihazı bir akünün çok sıcak olduğunu tespit ettiğinde otomatik olarak akü soğuyana kadar şarj işlemini durdurur. Şarj cihazı bir akünün çok soğuk olduğunu tespit ettiğinde otomatik olarak akü ısınana kadar şarj işlemini durdurur. Kırmızı ışık yanıp sönmeye devam edecek ve şarj işlemine başlayamayacaktır. Akü soğuduktan sonra şarj cihazı şarj işlemine devam edecektir.

Hasarlı akü

Şarj cihazı akünün zayıf veya hasarlı olduğunu tespit edebilir. Kırmızı LED ışığı, etikette gösterilen aralıkla yanıp sönecektir. Hasarlı aküyü tespit eden yanıp sönmeye aralığını görünce aküyü şarj etmeye devam etmeyin. Aküyü geri dönüşüm için servis veya toplama merkezine getirin.

Elektronik Koruma Sistemi

Li-Ion aküler, aküyü aşırı yük, aşırı ısınma veya derin deşarja karşı koruyan Elektronik Koruma Sistemli olarak tasarlanmıştır.

Elektronik Koruma Sisteminin devreye girmesi durumunda alet otomatik olarak kapanır. Bu durumla karşılaşsanız Li-Ion aküyü şarj cihazına yerleştirin ve tam olarak şarj olmasını bekleyin.

Tüm aküler için önemli güvenlik talimatları

Yedek aküleri sipariş ederken, katalog numarasını ve voltajı eklediğinizden emin olun.

Akü, kutudan şarjı dolu olarak çıkmaz.

Aküyü ve şarj cihazını kullanmadan önce, aşağıdaki güvenlik talimatlarını dikkatlice okuyun. Daha sonra belirtilen şarj işlemlerini uygulayın.

Tüm talimatları okuyun

- **Aküyü, yanıcı sıvılar, gazlar ve tozların bulunduğu yerler gibi yanıcı ortamlarda şarj etmeyin veya kullanmayın.** Aküyü şarj cihazına takmak veya cihazdan çıkarmak toz veya dumanları tutuşturabilir.
- **Aküyü şarj cihazının içine doğru zorlamayın.** Akü kırılarak ciddi kişisel yaralanmaya neden olabileceğinden akünün üzerinde hiçbir şekilde uyumsuz bir şarj cihazına uydurmak için değişiklik yapmayın.

- Aküleri yalnızca STANLEY şarj cihazlarında şarj edin.
- Su veya diğer sıvıları **sıçratmayın** veya bunlara **DALDIRMAYIN**.
- **Aleti ve aküyü sıcaklığın 40°'ye ulaştığı veya bu sıcaklığı aştığı yerlerde (yazın dış barakalar veya metal binalar gibi) depolamayın veya kullanmayın.**



UYARI: Aküyü hiçbir nedenle asla açmayın. Akünün muhafazası çatlarsa veya hasar görürse, şarj cihazına takmayın.

Aküyü çarpmayın, düşürmeyin veya pakete hasar vermeyin. Sert bir darbe almış, düşmüş, çiğnenmiş veya herhangi bir şekilde hasar görmüş (örn. Çiviyle delinmiş, çekiçle vurulmuş veya üzerine basılmış) bir aküyü veya şarj cihazını kullanmayın. Elektrik çarpmasına yol açabilir. Hasarlı aküler geri dönüşüm için servis merkezine gönderilmelidir.



DİKKAT: Aleti kullanmadığınız zaman, devrilme veya düşme tehlikesine yol açmayacağı dengeli bir yüzeye yan tarafının üzerine yerleştirin. Büyük akülere sahip bazı aletler akünün üzerinde dik durabilir, ancak bunlar kolayca devrilebilir.

Lityum iyon (Li-Ion) aküler için özel güvenlik talimatları

- Önemli ölçüde hasarlı veya tamamen eskimiş olsa bile aküyü ateşe atmayın. Akü ateşe atılırsa patlayabilir. Lityum iyon aküler yanınca zehirli buharlar ve materyaller açığa çıkar.
- Akü içeriği cildinizle temas ederse, etkilenen alanı derhal yumuşak bir sabun ve suyla yıkayın. Akü sıvısı gözlerinize bulaşursa, gözünüzü açık tutarak 15 dakika boyunca veya tahriş hissi geçene kadar suyla yıkayın. Tıbbi yardım gerekirse, akü elektroliti sıvı organik karbonatlar ve lityum tuzları karışımından oluşmaktadır.

Sıvı organik karbonatlar ve lityum tuzları.

- Açılan akü hücrelerinin içeriği solunum yolunu tahriş edebilir. Ortama temiz hava girmesini sağlayın. Belirtiler geçmezse tıbbi yardım alın.



UYARI: Yanma tehlikesi. Akü sıvısı kıvılcıma veya ateşe temas maruz kalırsa yanıcı olabilir.

Nakliyat

STANLEY aküler, Tehlikeli Maddelerin Nakliyesi Hakkında BM Tavsiyeleri; Uluslararası Hava Taşımacılığı Birliği (IATA) Tehlikeli Madde Düzenlemeleri, Uluslararası Deniz Taşımacılığı Tehlikeli Madde (IMDG) Düzenlemeleri ve Uluslararası Karayoluyla Tehlikeli madde Taşıma Konulu Avrupa Anlaşması içeriklerinde belirtilen sektörel ve hukuki standartların tüm düzenlemeleriyle uyumludur. Lityum-iyon hücreler ve aküler, Tehlikeli Madde Taşımacılığı Kılavuzu Testleri ve Kriterleri Hakkındaki BM Tavsiyelerinin 38.3. bölümüne kadar test edilmiştir. Çoğu durumda, STANLEY akünün nakliyatı tamamen düzenlenmiş Sınıf 9 Tehlikeli madde sınıfının dışında kalmaktadır. Genel olarak, Sınıf 9 gerektiren iki örnek şunlardır:

1. İki adetden fazla STANLEY lityum-iyon akünün, pakette yalnızca aküler varken (hiçbir alet olmadan) hava yoluyla taşınması, ve
2. Enerji derecesi 100 Watt Saat (Wh)'den fazla olan lityum-iyon akülerin herhangi bir şekilde taşınması. Tüm lityum-iyon akülerin paketlerinde Watt Saat değeri belirtilmiştir.

Nakliyat kapsamı dışında da kalsa, tamamen düzenlenmiş de olsa, paketleme, etiketleme ve belgeleme gereklilikleri hakkındaki son düzenlemeleri takip etmek nakliyatçıların sorumluluğudur.

Aküleri taşımak eğer akü terminalleri ileten malzemelerle dikkatsizlik sonucu temas ederlerse yangına neden olabilir. Akü nakliyatı yaparken, akü kutularının iyi korunduğundan ve kutularla temas edip kısa devreye sebep olabilecek maddelerden iyi şekilde izole edildiğinden emin olun.

Kılavuzun bu bölümünde bulunan bilgiler iyi niyetle yazılmıştır ve kılavuzun hazırlandığı tarih itibarıyla doğru olduğuna inanılmaktadır. Fakat, sözlü veya yazınla hiçbir garanti verilmemektedir. Gerçekleştirdiği işlemlerin geçerli düzenlemelerle uyumlu olduğundan emin olmak alıcının sorumluluğundadır.

Akü

Akü tipi

SC122 12V akü ile çalışır.

Saklama önerileri

1. En iyi saklama ortamı serin ve kuru, doğrudan güneş ışığı almayan, aşırı sıcak ve soğuk olmayan yerlerdir. En uygun akü performansı ve ömrü için kullanımda değilken aküleri oda sıcaklığında saklayın.
2. Uzun süreli saklama için, en iyi sonuç için şarj cihazından uzak serin, kuru bir yerde tamamen dolu bir akü saklamak için tavsiye edilir.

NOT: Aküler tamamen şarj boşalmış halinde saklanmamalıdır. Akünün kullanılmadan önce yeniden şarj edilmesi gerekir.

Şarj cihazı ve akü üzerindeki etiketler

Bu kılavuzda kullanılan sembollerle ilave olarak, şarj cihazı ve akü üzerinde bulunan etiketler aşağıdaki sembollerini belirtmektedir:



Aletle çalışmaya başlamadan önce bu kılavuzu okuyun.



Şarj süresi için Teknik Özellikleri bölümüne bakın.



Akü şarj oluyor.



Akü şarj oldu.



Hasarlı akü.



Sıcak/soğuk akü gecikmesi.



İletken nesnelere temas etmeyin.



Hasarlı aküleri şarj etmeyin.



Suya maruz bırakmayın.



Hasarlı kabloların hemen değiştirilmesini sağlayın.



Sadece 4 °C ila 40 °C arasında şarj edin.



Yalnızca kapalı alanda kullanım icindir.



Aküleri çevremize gerekli ozeni göstererek atın.



LI-ION



SC122/SC121

STANLEY aküler, yalnızca onlar için tasarlanmış olan STANLEY şarj cihazlarında şarj edin. STANLEY aküleri haricindeki akülerin STANLEY şarj cihazlarıyla şarj edilmesi patlamalarına veya diğer tehlikeli durumların ortaya çıkmasına sebep olabilir.



Aküyü ateşe atmayın.



UYARI: Montaj ve ayarlama işlemlerinden önce daima aletten aküyü çıkartın. Aküyü takmadan veya çıkartmadan önce daima aletin kapalı olduğundan emin olun.



UYARI: Yalnızca STANLEY akü ve şarj cihazlarını kullanın.

Alete akü takma ve çıkartma (Şekil C)



UYARI: Ciddi yaralanma riskini azaltmak için herhangi bir ayar yapmadan ya da parça veya aksesuarları söküp takmadan önce ileri/geri sürgüsünü kilitli konuma getirin veya aleti kapatın ve aküyü çıkartın. Aletin yanlışlıkla çalıştırılması yaralanmaya neden olabilir.

NOT: Akünün (6) tamamen şarjlı olduğundan emin olun.

Aküyü aletin koluna takma

1. Aküyü kolun içindeki raylarla hizalayın.
2. Kilidin yerine oturduğuna duyana kadar yerine doğru sıkıca kaydırın.

Aküyü aletten çıkartma

1. Serbest bırakma düğmesine (5) basın ve aküyü sıkıca çekerek aletin kolundan çıkarın.

2. Aküyü bu kılavuzun şarj cihazı kısmında açıklandığı gibi şarj cihazına takın.

KULLANIM

Uygun el pozisyonu (Şekil A, H)



UYARI: Ciddi yaralanma riskini azaltmak için, DAİMA şekilde gösterilen uygun el pozisyonunu kullanın.



UYARI: Ciddi yaralanma riskini azaltmak için, ani tepki ihtimaline karşı aleti DAİMA sıkıca tutun. Doğru el pozisyonu bir elin ana kol (9) üzerinde olduğu konumdur.

Dönme yönünün seçilmesi (Şekil D)

Vidaları sıkmak için ileri (saat yönünde) dönmeyi kullanın. Vidaları gevşetmek için geri (saatin ters yönünde) dönmeyi kullanın.

- İleri dönmeyi seçmek için ileri/geri sürgüsünü (2) sola itin.
- Geri dönmeyi seçmek için ileri/geri sürgüsünü sağa itin.
- Aleti kilitlemek için ileri/geri sürgüsünü orta konuma getirin.
- İleri/geri kontrol düğmesinin yerini değiştirirken tetiğin serbest bırakıldığından emin olun.

Açma/kapama tetiği (Şekil A)

Aleti açmak için, açma/kapama tetik düğmesine (1) basın. Aleti kapatmak için, açma/kapama tetik düğmesini bırakın. Aletin motor freni ile donatılmıştır. Tetik düğmesini tamamen bıraktıktan sonra mandren duracaktır.

Değişken hız ayarlı tetik belirli bir uygulama için en iyi hızı seçmenizi sağlar. Ne kadar fazla tetiğe basarsanız, alet o kadar hızlı çalışacaktır. Maksimum uzun alet ömrü için değişken hız ayarını sadece delik delmeye veya vida sıkıya başlarken kullanın.

NOT: Değişken hız aralığında sürekli kullanım tavsiye edilmez. Bu tetiğe zarar verebilir ve kaçınılmalıdır.

Tork ayarlama bileziği (Şekil A, D)

Tork ayarlama bileziği (3) sayılarla ve bir matkap ucu simgesiyle açıkça işaretlenmiştir. Bilezik, istenen ayar aletin üstüne gelene kadar çevrilmelidir. Sabitleme torkunu seçerken tahmini ortadan kaldırmak için bilezikte yer bulucular sunulmuştur. Bilezik üzerindeki sayı yükseldikçe, tork da yükselir ve takılacak vida boyutu o kadar büyür. Bileziği delme işlemleri için kilitlemek için matkap ucu konumuna getirin.

NOT: Matkap/tornavidayı delik delmek için kullanırken, tork

ayarlama bileziğinin matkap ucu simgesine ayarlanmış ve aletin üst kısmındaki merkez çizgisiyle hizalanmış olduğundan emin olun. Bunun yapılmaması, delik delme işlemi sırasında bileziğin kaymasına neden olur.

Vites mandalı (Şekil A, D)

Aletin iki hızlı vites kutusu özelliği ile çok amaçlı kullanım için vitesler arasında geçiş yapmanızı sağlar. Düşük vitesi (yüksek tork ayarı) seçmek için aleti kapatın ve durmasını bekleyin. Vites mandalını

(4) ileriye (mandrene doğru) kaydırın. Yüksek vitesi (düşük tork ayarı) seçmek için aleti kapatın ve durmasını bekleyin. Vites mandalını geriye (mandrenden uzağa) kaydırın.

LED aydınlatma

Tork ayarlama bileziğinin (3) altında bir çalışma LED ışığı (8) bulunmaktadır. Tetik düğmesine basıldığında çalışma ışığı devreye girer.

NOT: Bu aydınlatma sadece çalışma alanını aydınlatmak için

tasarlanmıştır; fener olarak kullanım için değildir.

NOT: Alet çalışırken vites değiştirmeyin. Vites değiştirirken sorun yaşıyorsanız vites mandalının tamamen ileri veya tamamen geri itildiğinden emin olun.

Anahtarsız mandren (Şekil E)

Aletin, mandrenin tek elle kullanılması için tek döner kovanlı anahtarsız mandren kullanılmaktadır. Matkap ucunu veya başka bir aksesuarı takmak için aşağıdaki adımları izleyin.

1. Yukarıda açıklandığı gibi tetiği kapalı konumunda kilitleyin.
2. Mandrenin siyah kovanını bir elinizle kavrayın ve diğer elinizle aleti tutun. Kovani, istenen aksesuarı takmak için yeteri kadar açılana kadar saatin ters yönünde çevirin.
3. Ucu yaklaşık 19 mm mandren içine sokun ve bir elinizle aleti tutarken diğer elinizle mandreni saat yönünde çevirerek sıkın. Aletiniz bir mil kilidi mekanizmasıyla donatılmıştır. Bu, bir elinizle mandreni açıp kapatmanızı sağlar.
4. Aksesuarı çıkarmak için, 2. adımı tekrarlayın.



UYARI: Mandrenin ön kısmını tutarak ve aleti çalıştırarak

matkap uçları (veya başka bir aksesuarı) sıkıyaya kalkışmayın. Bu yaralanmaya veya mandren hasarına yol açabilir. Aksesuar değiştirirken daima açma/kapama tetiğini kilitleyin. Maksimum sıkılık için bir elle mandreni sıkarken diğer elle de aleti tutun.

Mandren çıkartılması (Şekil F)

Ayarlama bileziğini «matkap» konumuna ve vites mandalını 1. konumuna (düşük hız) ayarlayın. 6,35 mm (1/4") veya daha büyük bir altıgen anahtarın (ambalaja dahil değil) kısa ucunu mandrene sıkıştırın. Aşşap bir tokmak veya benzeri nesneyle şekilde gösterildiği gibi anahtarın uzun ucuna saat yönünde çevirerek vurun. Bu, mandren içindeki vidayı gevşetir.

Mandren kısıkaçlarını mümkün olduğunca açın ve vida kafasını kavramak için bir tornavidayı (veya gerekirse tork anahtarını) mandren kısıkaçları arasından sokun. Vidayı saat yönünde (sol oluk) çevirerek sökün. Şekil F'de gösterildiği gibi altıgen anahtar mandren içine yerleştirip sıkın. Aşşap bir tokmak veya benzeri nesneyle şekilde gösterildiği gibi anahtarın saatin ters yönünde çevirerek vurun. Bu mandreni gevşetir, böylece el ile sökebilirsiniz.

Mandren takılması (Şekil G)

Mandreni gidebildiği kadar elle vidalayın ve vidayı (sol oluk) takın. Vidayı iyice sıkın. Bir altıgen anahtarın (ambalaja dahil değil) kısa ucunu mandrene sıkıştırın ve anahtarın uzun ucuna aşşap bir tokmakla şekilde gösterildiği gibi saat yönünde vurun. Vidayı saatin ters yönünde tekrar sıkın.

Delme



UYARI: Ciddi yaralanma riskini azaltmak için herhangi bir ayar yapmadan ya da parça veya aksesuarları söküp takmadan önce aleti kapatın ve güç kaynağından ayırın.



UYARI: Kişisel yaralanma riskini azaltmak için, DAİMA üzerinde çalışılan parçanın sıkıca sabitlendiğinden

veya sıkıştırıldığından emin olun. İnce malzemeleri deliyorsanız, malzemenin hasar görmesini engellemek için aşşap bir «destekleme» bloğu kullanın.

Delme işlemleri için tork ayarlama bileziğini matkap ucu sembolüne getirin. Planlanan işleme uygun hız/tork aralığını seçmek için vites mandalını kullanın.

1. Yalnızca keskin matkap uçlarını kullanın. AŞŞAP için, aşşap matkap uçları, geniş ağızlı aşşap uçları veya delik testereler kullanın. METAL için, yüksek hızlı çelik (HHS) uçları, metal matkap uçları, veya delik testereler kullanın.
2. Daima matkap ucuna düz bir çizgide baskı uygulayın. Uca yeterli bir baskı uygulayın, ama motor duracak ya da uç sekecek kadar değil.
3. Dönme hareketini kontrol etmek için matkabi her iki elinizle sıkıca tutun.



UYARI: Matkap zorlanırsa aşırı dönme kuvvetine yol açacak şekilde aniden durabilir. Her zaman ani durmaya karşı dikkatli olun. Dönme hareketini kontrol etmek ve yaralanmayı önlemek için matkabi her iki elinizle sıkıca tutun.

- **MATKAP DURURSA**, bunun nedeni genellikle aşırı yüklenmesi veya yanlış kullanılmasıdır. **TETİĞİ DERHAL BIRAKIN**, ucu çıkarın ve durma nedenini belirleyin. ANİDEN DURMUŞ VEYA SIKIŞMIŞ MATKABI YENİDEN ÇALIŞTIRMAK İÇİN AÇMA/ KAPAMA TETİĞİNE SÜREKLİ BASMAYA KALKIŞMAYIN - BU, MATKABA ZARAR VEREBİLİR.
- Durmayı veya malzemenin kırılmasını en aza indirmek için, matkabin üzerindeki basıncı azaltın ve ucu deliğin son parçasının içinden çıkarın.
- Ucu açılmış deliğinden çekerken motor çalışmasını sağlayın. Bu sıkışmayı önlemeye yardımcı olacaktır.
- Değişken hızlı matkaplarda, delinecek noktayı ortalamaya gerek yoktur. Bir deliği açmaya başlamak için düşük hız kullanın ve delik uç kaymayacak kadar derin olduğunda tetiği daha sert sıkarak hızlandırın.

Darbeli delme (Şekil D)

1. Ayar bileziğini (9) çekiç sembolüne getirin.
2. Seçiciyi öne (mandrene) doğru kaydırarak yüksek hız ayarını seçin. Önemli: Sadece karpit uçlu veya beton matkap uçlarını kullanın.
3. Matkabin aşırı derecede sıçramasını veya ucun "yükselmesini" engelleyecek kadar kuvvetle delin. Çok fazla kuvvet daha yavaş delme hızlarına, aşırı ısınmaya ve düşük delme hızına neden olur.
4. Matkap ucunu dik açıyla tutarak düz bir şekilde delik açın. Matkap ucu oluklarının tıkanması ve daha yavaş bir delme hızı olmaması için delme işlemi sırasında matkap ucu üzerinde yan basınç uygulamayın.
5. Derin delikleri açarken darbeli hız düşmeye başlarsa delik içindeki artıkların temizlenmesi için alet çalışır durumdakten matkap ucunu kısmen delik dışına doğru çekin.

NOT: Delikten tozun düzgün ve pürüzsüz akışı uygun delme hızını gösterir.

Tornavidanın kullanımı

Planlanan işleme uygun hız/tork aralığını seçmek için aletin üst kısmında bulunan iki vites mandalını kullanın. İstediğiniz sabitleyici aksesuarını herhangi bir matkap ucunu taktığınız gibi mandrene takın. Tork ayarlama bileziğinin doğru

konumunu belirlemek için atık malzemelerin veya görünmeyen bölgelerin üzerinde birkaç deneme yapın.

Önerilen maksimum kapasiteler

	Düşük hız-1	Düşük hız-2
Metal uçları ile delme	6.00 mm	3.00 mm
Geniş aşıp uçları ile delme	19.00 mm	12.00 mm
Delik testereler	19.00 mm	16.00 mm

BAKIM

STANLEY elektrikli aletinin minimum bakımla uzun bir süre çalışacak şekilde tasarlanmıştır. Kesintisiz olarak memnuniyet verici bir şekilde çalışması gerekli özenin gösterilmesine ve düzenli temizliğe bağlıdır.



UYARI: Ciddi yaralanma riskini azaltmak için herhangi bir ayar yapmadan ya da parça veya aksesuarları söküp takmadan önce ileri/geri sürgüsünü kilitle konuma getirin veya aleti kapatın ve aküyü çıkartın. Aletin yanlışlıkla çalıştırılması yaralanmaya neden olabilir. Fener, şarj cihazı ve akü bakım gerektirmezler. Aletin içinde bakım yapılabilecek herhangi bir parça yoktur.

**Yağlama**

Elektrikli aletinin ek bir yağlama gerektirmemektedir.

**Temizleme**

UYARI: Havalandırma deliklerinde ve etrafında toz toplanması halinde bu tozu ve kırı kuru hava kullanarak ana gövdeden uzaklaştırın. Bu işlemi gerçekleştirirken onaylı bir göz koruması ve onaylı toz maskesi takın.



UYARI: Aletin metalik olmayan parçalarını temizlemek için asla çözücü veya başka sert kimyasal kullanmayın. Bu kimyasallar bu parçalarda kullanılan malzemeleri güçsüzdleştirir. Yalnızca su ve yumuşak sabunla nemlendirilmiş bir bez kullanın. Aletin içine sıvı çarpmasına kesinlikle izin vermeyin; aletin herhangi bir parçasını bir sıvı içine daldırmayın.

Şarj cihazı temizleme talimatları

UYARI: Elektrik çarpması tehlikesi. Temizlik işlemi yapmadan önce şarj cihazının fişini AC prizinden çekin. Bir bez veya metalik olmayan yumuşak bir fırça kullanılarak, şarj cihazının dışındaki kir ve yağ çıkartılabilir. Su veya başka bir temizleme çözümü kullanmayın.

İlave aksesuarlar

UYARI: STANLEY tarafından tedarik veya tavsiye edilenler dışındaki aksesuarlar bu ürün üzerinde test edilmediğinden, söz konusu aksesuarların bu aletle birlikte kullanılması tehlikeli olabilir. Yaralanma riskini azaltmak için bu ürünle birlikte sadece STANLEY tarafından tavsiye edilen aksesuarlar kullanılmalıdır. Uygun aksesuarlarla ilgili daha ayrıntılı bilgi için bayiinize danışın.

ÇEVRENİN KORUNMASI

Ayrı olarak atın. Bu ürün, normal evsel atıklarla birlikte atılmamalıdır.

STANLEY ürününüzün değiştirilmesi gerektiğini düşünmeniz veya artık kullanılamaz durumda olması halinde onu, evsel atıklarla birlikte atmayın. Bu ürün, ayrı olarak toplanacak şekilde atın.



STANLEY, hizmet ömrünün sonuna ulaşan STANLEY ürünlerinin toplanması ve geri dönüşüme sokulması için bir imkân sunmaktadır. Bu hizmetin avantajlarından faydalanmak için, lütfen, ürününüzü bizim adımıza teslim alacak herhangi bir yetkili servise iade edin.

Bu kılavuzda belirtilen listeden size en yakın STANLEY yetkili tamir servisinin yerini öğrenebilirsiniz. Ya da, alternatif olarak internet'ten STANLEY yetkili tamir servislerinin listesini ve satış sonrası hizmetlerimizle ilgili tüm bilgiler ve temas bilgilerine aşağıdaki siteden ulaşabilirsiniz. www.2helpU.com

Aküler

STANLEY aküleri defalarca yeniden şarj edilebilir. Hizmet ömürlerinin sonunda, aküleri çevremize gerekli özeni göstererek atın:

TÜRKÇE (Çevirisi orijinal talimatlardan yapılmıştır)

- Aküyü bitene kadar aleti çalıştırın, sonra aletten çıkartın.
- NiCd, NiMH ve Li-Ion aküler geri dönüşümlüdür. Aküleri yerel toplama merkezine teslim edin.

NOTLAR

STANLEY olarak, ürünlerimizi sürekli iyileştirme politikası uyguladığımızdan, önceden haber vermeden ürün özelliklerini değiştirme hakkını saklı tutarız. Standart ekipman ve aksesuarlar ülkeye göre değişebilir. Ürün özellikleri ülkelere göre farklı olabilir. Komple ürün çeşidi tüm ülkelerde geçerli olmayabilir. Ürün çeşidi durumu hakkında lütfen en yakın STANLEY yetkili servisiyle temas kurun

SERVİS BİLGİLERİ

STANLEY, kendisine ait ve yetkili servisler ile tam bir servis ağı sunmaktadır. Tüm STANLEY Servis Merkezleri müşterilere etkili ve güvenilir elektrikli el aleti hizmeti sunmak için eğitimli personel ile donatılmıştır. Yetkili servis merkezlerimiz hakkında daha fazla bilgi almak istiyorsanız veya teknik danışmanlık, onarım ya da orijinal fabrika yedek parçası ihtiyacınız varsa, size en yakın STANLEY satış noktasına başvurun.

TEKNİK ÖZELLİKLERİ

Darbeli matkap/tornavida SCH121

Voltaj	V_{DC}	12
Yüksüz hızı	min^{-1}	0-400/0-1500
Darbe oranı	min^{-1}	0-6000/0-22500
Maks.tork	Nm	26
Mandren kapasitesi	mm	10
Maksimum delme kapasitesi:		
Ahşap	mm	20
Metal	mm	10
Beton	mm	8

Şarj Cihazı SC122

Giriş voltajı	V_{AC}	220-240
Çıkış voltajı	V_{DC}	12
Çıkış akımı	A	1.25
Yaklaşık şarj süresi	dak.	70 (1,5 Ah)

Akü		SB12S
Voltaj	V_{AC}	12
Kapasite	Ah	15
Akü tipi		Li-Ion

EN 60745'e göre ses basıncı düzeyi:

Ses basıncı (L_{pA})	dB(A)	82
Ses basıncı belirsizliği (K_{pA})	dB(A)	3
Akustik güç (L_{WA})	dB(A)	93
Akustik gücü belirsizliği (K_{WA})	dB(A)	3

Titreşim emisyon değeri ah:

(a_h)S	m/s^2	0.5
Belirsizlik (K)	m/s^2	1.5
(a_h)D	m/s^2	1.0
Belirsizlik (K)	m/s^2	1.5
(a_h)ID	m/s^2	11.7
Belirsizlik (K)	m/s^2	1.5

TİTREŞİM

Teknik veriler ve uygunluk beyanatı içerisinde belirtilen titreşim emisyon değerleri EN62841 tarafından belirlenen standart bir test yöntemine uygun olarak ölçülmektedir ve diğer bir aletle karşılaştırma yaparken kullanılabilir. Beyan edilen titreşim emisyon değeri aynı zamanda maruz kalmanın önceden değerlendirilmesinde de kullanılabilir



UYARI! Elektrikli aletin mevcut kullanımı sırasındaki titreşim emisyon değeri, aletin kullanım yöntemine bağlı olarak, beyan edilen değere göre farklılık sergileyebilir. Titreşim düzeyi belirlenen seviyenin üzerinde artış gösterebilir."

İşyerinde düzenli olarak elektrikli alet kullanan çalışanları korumak amacıyla 2002/44/EC tarafından getirilen elektrik güvenliği önlemlerini belirlemek üzere titreşime maruz kalmayı değerlendirirken, çalışma döngüsü içerisinde örneğin aletin kapalı olduğu ve aktif durumda olmasının yanı sıra boşta çalıştığı zamanlar gibi, bütün zaman dilimleri dahil olmak üzere mevcut kullanım durumu ve aletin kullanım şekli göz önünde bulundurularak değerlendirilmelidir.

AT Uygunluk Beyanati
MAKİNE DİREKTİFİ



SCH121 - Darbeli Tornavida

STANLEY, «teknik özellikleri» bölümünde açıklanan bu ürünlerin aşağıda belirtilen yönergelere uygun olduğunu beyan eder: 2006/42/EC, EN 60745-1:2009 + A11:2010, EN 60745-2-1:2010.

Bu ürünler ayrıca 2014/30/EU ve 2011/65/EU Direktiflerine de uygundur.

Daha fazla bilgi için, lütfen aşağıdaki adresten STANLEY ile irtibata geçin veya kılavuzun arkasına bakın. Bu belge altında imzası bulunan yetkili, teknik dosyanın derlenmesinden sorumludur ve bu beyanı STANLEY adına vermiştir.

R.Laverick

Mühendislik Bölümü Müdürü
STANLEY Europe, Egide Walschaertsstraat 14-18,
2800 Mechelen, Belçika
01.2016

İKİ YILLIK GARANTİ

Sahip olduğunuz STANLEY ürünü satın alma tarihinden itibaren 24 ay içinde hatalı malzeme veya işçilik nedeniyle bozulursa, STANLEY aşağıdaki şartlara uyulması koşuluyla ücretsiz olarak tüm kusurlu parçaların yenilenmesini veya -kendi inisiyatifine bağlı olarak- satın alınan ürünün değiştirilmesini garanti eder:

- Ürün, hatalı kullanılmamış kullanım kılavuzuna uygun kullanılmıştır;
- Ürün yıpranmamış, hırpalanmamış ve aşınmamıştır;
- Yetkili olmayan kişilerce tamire çalışılmamıştır;
- Satın alma belgesi (fatura) ibraz edilmiştir;
- STANLEY ürünü, tüm orijinal parçaları ile birlikte iade edilmiştir;
- Ürün kiraya verilmemiştir.

Garanti talebinde bulunmak için, lütfen satıcıyla irtibata geçin veya STANLEY katalogunda belirtilen size en yakın STANLEY yetkili satıcı adresini kontrol edin veya ürünün kılavuzunda belirtilen adresteki yerel STANLEY yetkili tamir servisi ile temas kurun. İnternet'ten Stanley yetkili tamir servislerinin listesine ve satış sonrası hizmetlerimizle ilgili tüm bilgilerine aşağıdaki siteden ulaşabilirsiniz: www.2helpU.com

Sanayi ve Ticaret Bakanlığı tebliğince kullanım ömrü 7 yıldır.

Türkiye Distribütörü

**STANLEY BLACK&DECKER TURKEY ALET ÜRETİM
SAN. TIC. LTD.STI. AND Kozyatağı**

İçerenköy Mahallesi Umut Sokak

No:10-12 Kat :19 Ataşehir / İstanbul

Tel : (0216) 665 29 00

Faks : (0216) 665 29 01

E-posta: info-tr@sbdinc.com

