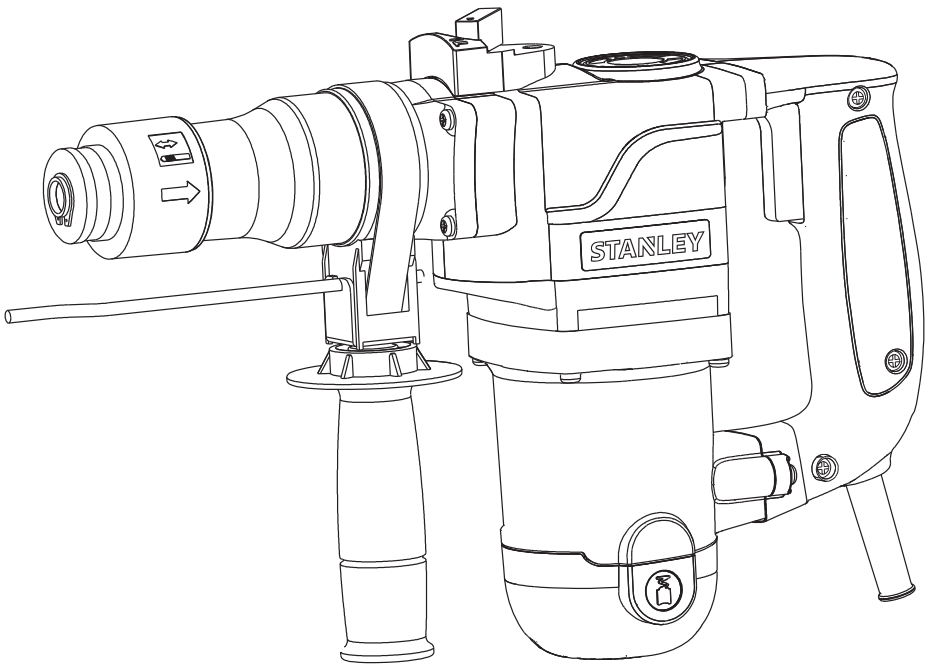
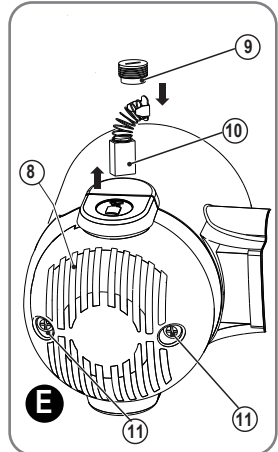
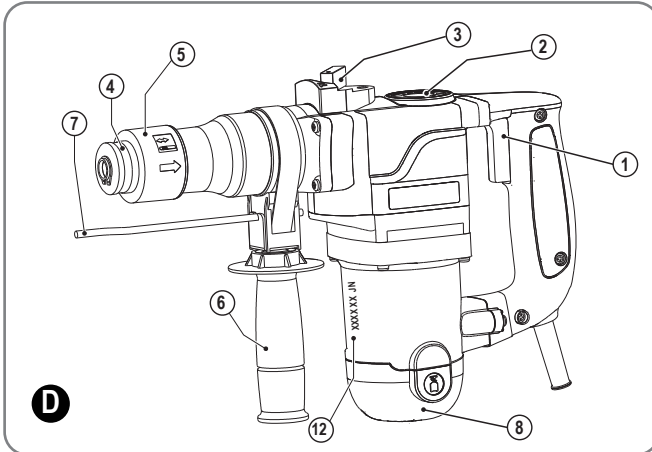
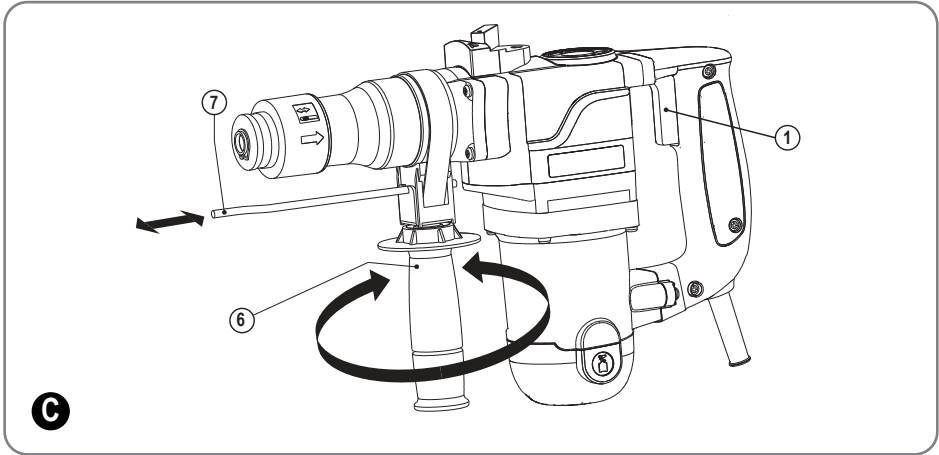
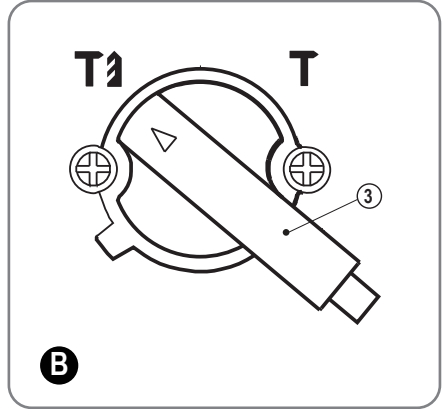
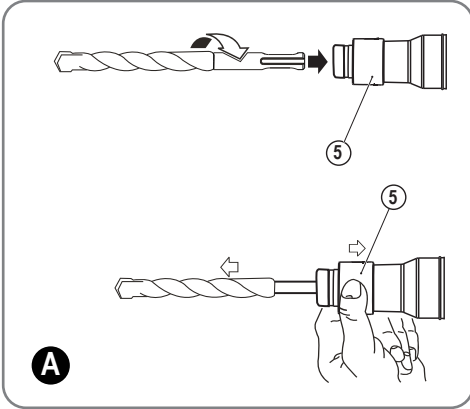


# STANLEY®



**STHR272**



\* The picture above may differ slightly to actual unit.

**INTENDED USE**

Your STANLEY STHR272 SDS-Plus rotary hammer is intended to drill holes in concrete, brick and masonry as well as for light chiseling applications. This tool is intended for professional use.

**SAFETY INSTRUCTIONS****General power tool safety warnings**

**WARNING!** Read all safety warnings, instructions, illustrations and specifications provided with this power tool. Failure to follow all instructions listed below may result in electric shock, fire and/or serious injury.

**Save all warnings and instructions for future reference.**

The term "power tool" in the warnings refers to your mains-operated (corded) power tool or battery-operated (cordless) power tool.

**1. Work area safety**

- a. **Keep work area clean and well lit.** Cluttered or dark areas invite accidents.
- b. **Do not operate power tools in explosive atmospheres, such as in the presence of flammable liquids, gases or dust.** Power tools create sparks which may ignite the dust or fumes.
- c. **Keep children and bystanders away while operating a power tool.** Distractions can cause you to lose control.

**2. Electrical safety**

- a. **Power tool plugs must match the outlet. Never modify the plug in any way. Do not use any adapter plugs with earthed (grounded) power tools.** Unmodified plugs and matching outlets will reduce risk of electric shock.
- b. **Avoid body contact with earthed or grounded surfaces such as pipes, radiators, ranges and refrigerators.** There is an increased risk of electric shock if your body is earthed or grounded.
- c. **Do not expose power tools to rain or wet conditions.** Water entering a power tool will increase the risk of electric shock.
- d. **Do not abuse the cord. Never use the cord for carrying, pulling or unplugging the power tool. Keep cord away from heat, oil, sharp edges or moving parts.** Damaged or entangled cords increase the risk of electric shock.
- e. **When operating a power tool outdoors, use an extension cord suitable for outdoor use.** Use of a cord suitable for outdoor use reduces the risk of electric shock.
- f. **If operating a power tool in a damp location is unavoidable, use a residual current device (RCD) protected supply.** Use of an RCD reduces the risk of electric shock.

**3. Personal safety**

- a. **Stay alert, watch what you are doing and use common sense when operating a power tool. Do not use a power tool while you are tired or under the influence of drugs, alcohol or medication.** A moment of inattention while operating power tools may result in serious personal injury.
- b. **Use personal protective equipment. Always wear eye protection.** Protective equipment such as a dust mask, non-skid safety shoes, hard hat, or hearing protection used for appropriate conditions will reduce personal injuries.
- c. **Prevent unintentional starting. Ensure the switch is in**

**the off-position before connecting to power source and/or battery pack, picking up or carrying the tool.** Carrying power tools with your finger on the switch or energising power tools that have the switch on invites accidents.

- d. **Remove any adjusting key or wrench before turning the power tool on.** A wrench or a key left attached to a rotating part of the power tool may result in personal injury.
  - e. **Do not overreach. Keep proper footing and balance at all times.** This enables better control of the power tool in unexpected situations.
  - f. **Dress properly. Do not wear loose clothing or jewellery. Keep your hair and clothing away from moving parts.** Loose clothes, jewellery or long hair can be caught in moving parts.
  - g. **If devices are provided for the connection of dust extraction and collection facilities, ensure these are connected and properly used.** Use of dust collection can reduce dust-related hazards.
  - h. **Do not let familiarity gained from frequent use of tools allow you to become complacent and ignore tool safety principles.** A careless action can cause severe injury within a fraction of a second.
- 4. Power tool use and care**
- a. **Do not force the power tool. Use the correct power tool for your application.** The correct power tool will do the job better and safer at the rate for which it was designed.
  - b. **Do not use the power tool if the switch does not turn it on and off.** Any power tool that cannot be controlled with the switch is dangerous and must be repaired.
  - c. **Disconnect the plug from the power source and/or remove the battery pack, if detachable from the power tool before making any adjustments, changing accessories, or storing power tools.** Such preventive safety measures reduce the risk of starting the power tool accidentally.
  - d. **Store idle power tools out of the reach of children and do not allow persons unfamiliar with the power tool or these instructions to operate the power tool.** Power tools are dangerous in the hands of untrained users.
  - e. **Maintain power tools and accessories. Check for misalignment or binding of moving parts, breakage of parts and any other condition that may affect the power tools operation. If damaged, have the power tool repaired before use.** Many accidents are caused by poorly maintained power tools.
  - f. **Keep cutting tools sharp and clean.** Properly maintained cutting tools with sharp cutting edges are less likely to bind and are easier to control.
  - g. **Use the power tool, accessories and tool bits etc. in accordance with these instructions, taking into account the working conditions and the work to be performed.** Use of the power tool for operations different from those intended could result in a hazardous situation.
  - h. **Keep handles and grasping surfaces dry, clean and free from oil and grease.** Slippery handles and grasping surfaces do not allow for safe handling and control of the tool in unexpected situations.
- 5. Service**
- a. **Have your power tool serviced by a qualified repair person using only identical replacement parts.** This will ensure that the safety of the power tool is maintained.

**ADDITIONAL SPECIFIC SAFETY RULES**

**Safety instructions for rotary hammers**

- **Wear ear protectors.** Exposure to noise can cause hearing loss.
- **Use auxiliary handle(s), if supplied with the tool.** Loss of control can cause personal injury.
- **Hold power tool by insulated gripping surfaces, when performing an operation where the cutting accessory may contact hidden wiring or its own cord.** Cutting accessory contacting a "live" wire may make exposed metal parts of the power tool "live" and could give the operator an electric shock.
- Never use a chisel accessory in rotary mode. The accessory will bind in the material and rotate the drill.
- Use clamps or another practical way to secure and support the work piece to a stable platform. Holding the work by hand or against your body leaves it unstable and may lead to loss of control.
- Before drilling into walls, floors or ceilings, check for the location of wiring and pipes.
- Avoid touching the tip of the drill bit after drilling so as to avoid scalding.
- The intended use is described in this instruction manual. The use of any accessory or attachment or performance of any operation with this tool other than those recommended in this instruction manual may present a risk of personal injury and/or damage to property.

**NOTE:** Mains voltage: When connecting to the mains, it is imperative to verify if the voltage of the mains matches that of the power tool. If the mains voltage exceeds the voltage indicated on the power tool, the user may become severely injured in an accident, and the tool may be damaged. On the contrary, if the mains voltage is lower than the voltage required by the tool, the motor may be damaged as a result. Thus, if it is not possible to verify the voltage, it is imperative not to plug in to the power source

**SAFETY OF OTHERS**

- This appliance is not intended for use by persons (including children) with reduced physical, sensory or mental capabilities, or lack of experience and knowledge, unless they have been given supervision or instruction concerning use of the appliance by a person responsible for their safety.
- Children should be supervised to ensure that they do not play with the appliance.

**RESIDUAL RISKS**

Additional residual risks may arise when using the tool which may not be included in the enclosed safety warnings. These risks can arise from misuse, prolonged use etc. In spite of the application of the relevant safety regulations and the implementation of safety devices, certain risks cannot be avoided. These are:

- Injuries caused by touching any rotating/moving parts.
- Injuries caused when changing any parts, blades or accessories.
- Injuries caused by prolonged use of a tool. When using any

- tool for prolonged periods ensure you take regular breaks.
- Impairment of hearing.
- Health hazards caused by breathing dust developed when using your tool (example: working with wood, especially oak, beech and MDF.)

**ELECTRICAL SAFETY**



Your tool is double insulated; therefore no earth wire is required. Always check that the main voltage corresponds to the voltage on the rating plate.



**WARNING!** If the power cord is damaged, it must be replaced by the manufacturer, authorized STANLEY Service Center or an equally qualified person in order to avoid damage or injury. If the power cord is replaced by an equally qualified person, but not authorized by STANLEY, the warranty will not be valid.

**USING AN EXTENSION CABLE**

If it is necessary to use an extension cable, please use an approved extension cable that fits the tool's power input specifications. The minimum cross-sectional area of the conducting wire is 1.5 sq. mm. Cables should be untangled before reeling up.









Cable cross-sectional area (mm <sup>2</sup> )	Cable rated current (Ampere)
0.75	6
1.00	10
1.50	15
2.50	20
4.00	25

Cable length (m)						
	7.5	15	25	30	45	60

Voltage	Amperes	Cable rated current (Ampere)					
110-127	0 - 2.0	6	6	6	6	6	10
	2.1 - 3.4	6	6	6	6	15	15
	3.5 - 5.0	6	6	10	15	20	20
	5.1 - 7.0	10	10	15	20	20	25
	7.1 - 12.0	15	15	20	25	25	-
220-240	12.1 - 20.0	20	20	25	-	-	-
	0 - 2.0	6	6	6	6	6	6
	2.1 - 3.4	6	6	6	6	6	6
	3.5 - 5.0	6	6	6	6	10	15
	5.1 - 7.0	10	10	10	10	15	15
	7.1 - 12.0	15	15	15	15	20	20
	12.1 - 20.0	20	20	20	20	25	-

## LABELS ON TOOL

The label on your tool may include the following symbols:

	WARNING! To reduce the risk of injury, the user must read the instruction manual before use.		
	Wear safety glasses or goggles.		
	Wear ear protection.		
V	Volts		Direct Current
A	Amperes	$n_0$	No-Load Speed
Hz	Hertz		Class II Construction
W	Watts		Earthing Terminal
min	minutes		Safety Alert Symbol
	Alternating Current	/min.	Revolutions or Reciprocation per minute

### Position of Date Code

The Date Code (12), which also includes the year of manufacture, is printed into the housing.

Example:

2017 XX JN  
Year of manufacturing

## PACKAGE CONTENTS

The package contains:

- 1 SDS-Plus rotary hammer
- 1 Side handle
- 1 Depth stop
- 1 Instruction manual
- 1 Kitbox
- Check for damage to the tool, parts or accessories which may have occurred during transport.
- Take the time to thoroughly read and understand this manual prior to operation.

## FEATURES (Fig D)

This tool includes some or all of the following features.

1. Switch
2. Oil-injection inlet cap
3. Modes selector
4. Tool chuck (tool holder)
5. Sleeve
6. Side handle
7. Depth stop
8. Cover

## ASSEMBLY



**WARNING!** Before assembly, please ensure that the power tool is powered off and the power plug of the tool is unplugged from the power source.

## Install the side handle



**WARNING!** When holes are drilled in the concrete, bricks and other surfaces, please grip the side handle to ensure safe operation.

- The side handle (6) can be rotated to any side, which can facilitate the use of the power tool in any position.
- Rotate the side handle (6) counterclockwise, to unlock and release the power tool, rotate it to the desired position.
- Rotate the side handle clockwise to tighten it adequately.

## Fitting an accessory (Fig A)

- Please clean the drill shank and lubricate the drill bit before installing it.
- Pull back and hold the slide-sleeve(5), and then screw the drill bit into the chuck, press it internally until it is fastened, the drilling bit can be automatically locked in situ. Pull the drill bit outwards to test whether it has been adequately locked in the correct position or not.
- Pull back and hold the drill sleeve(5) clamp, you can remove the drill bit.

## USE



**WARNING!** Please use the power tool under normal load; no overloading is permitted.



**WARNING!** Before drilling holes in the wall, floor or ceiling, please check the positions of the wire and steel tube.

## Chipping/chiseling (Fig B)

- When the cutting / stripping / removing operation is conducted, please put the operation modes selector (3) to position **T**, the drilling bit, cold chisel and scaling chisel etc. should be properly used.



**WARNING!** Do not rotate the knob when the power tool is rotating under the load, otherwise it will be damaged.

## Hammer drilling (Fig B)

- When using the hammer driller to drill holes on the masonry and concrete surfaces, the operation mode selector (3) should be set to position **T2**.
- The drilling bit should be aligned to the drilling position, and then press the switch button to achieve the best effect. Keep the power tool be positioned correctly, prevent it from deviating the hole.
- When the fragments plug the borehole or powders, please do not apply further pressure, and make the tool rotate in an idling state, then gradually take out the drilling bit from the hole. Repeat the said steps for several times, the plugged hole can be clean, and then resume the normal drilling.



**WARNING!** When the drilling bit begins to break down the reinforced concrete or hit the steel bar inside the concrete, the power tool may have

dangerous reaction force. Please always keep balance, stable posture and tightly grip the tool, to prevent from generating the dangerous reaction force. When the concrete is chiseled, the distance between the two points of one chiseling shall not be too much away from the edge, which shall be about 8cm or so, define the distance through finding the cracking strength of the concrete.

### Overload coupling device

If the drilling bit is clamped or hooked up, the driving force transmitted to the drill shaft will be cut off. A huge force will occur, so two hands must tightly grip the power tool when it is in operation, and ensure that the operator is standing in a stable and fixed position.

### Select the depth of holes to be drilled (Fig C)

A depth gauge is an easy to use ruler to ensure that the drilling depth is consistent. Unlock the side handle, adjust the depth gauge according to the required depth, and then tighten the side handle.

- Unfasten the side handle (6) by turning counter-clockwise the grip.
- Set the depth stop (7) to the desired position. The maximum depth of the drilled hole shall equal to the distance between the tip of drilling bit and the front end of the depth stop.
- Tighten the side handle by turning the grip clockwise.

### Switch on and off (Fig D)



**WARNING!** Before inserting the plug, please confirm whether the switch can trigger freely or not, whether it can return to the original position after releasing.

- Press the switch button (1), the power tool can be started immediately.
- Release the button (1), the tool stops rotating.

## MAINTENANCE

The STANLEY cord / cordless appliance / tools are of sophisticated design, can be used for a long time, and only little maintenance is needed. To obtain consistent satisfactory use, proper maintenance and regular cleaning of the tools are necessary.



**WARNING!** Before performing any maintenance work on the cord / cordless electric tools, the following points must be implemented:

- Switch off the power of the equipment / tools and pull off the plug;
- If the equipment / tools are equipped with independent battery pack, please turn off the power and remove the battery pack from the equipment / tools.
- If the equipment / tools are equipped with an integrated battery, please run out the battery, before turning off its power.

- Before the cleaning, unplug the charger plug from the power source. In addition, except the regular cleaning on your charger, no other maintenance is needed.
- Regularly use the soft brush or dry cloth to clean the ventilation slot of the equipment / tools / charger.
- Regularly use a damp cloth to clean the motor housing. Please do not use any abrasive cleaning agents or solvent-based cleansing agents.
- Regularly open the clamping chuck and tap it gently to remove any internal dust (after installation).

### Replace the carbon brushes (Fig E)

- Regularly replace and check the carbon brushes. Replace it in time when it is worn to the abrasive boundary line. Keep the carbon brush clean and make it freely slide in the brushing range. Two brushes shall be replaced at the same time.
- Use the cross screwdriver to counterclockwise unscrew the screws, open the bottom cover(8) with a flat screwdriver to counterclockwise open the brush cover(9), you can remove the brush(10)as shown in the figure E, and put the new brush, and then clockwise fasten the brush cover(9), finally put the bottom cover(8), and then use the cross screwdriver to tighten it properly.



### Lubrication

- Open the cap of the lube oil-injection inlet(2), check the lube oil in the gearbox, if the lube oil is dirty or insufficient, replace or add the adequate amount of lube oil provided by the company.



### Cleaning

- **WARNING!** Once the visible dust build-up is found at and/or around the ventilating ports, immediately flush the dust and powder within the host shell with clean dry air. To perform this procedure, wear the approved safety equipment and dust mask.



**WARNING!** It is strictly forbidden to clean the non-metallic parts of the tool with the solvents or other irritant chemicals. These chemicals may weaken the materials of these components. Use a cloth moistened with a mild soapy water to clean it. Do not let any substance permeate into the tool and do not immerse any part of the tool into a liquid.

## ACCESSORIES



**WARNING!** Since accessories, other than those offered by STANLEY, have not been tested with this product, use of such accessories with this tool could be hazardous. To reduce the risk of injury, only STANLEY, recommended accessories should be used with this product.

Various types of SDS Plus drill bits and chisels are available as an option.

Consult your dealer for further information on the appropriate accessories.

## PROTECTING THE ENVIRONMENT



Separate collection. This product must not be disposed of with normal household waste.

Should you find one day that your STANLEY product needs replacement, or if it is of no further use to you, do not dispose of it with household waste. Make this product available for separate collection.



STANLEY provides a facility for the collection and recycling of STANLEY products once they have reached the end of their working life. To take advantage of this service please return your product to any authorised repair agent who will collect them on our behalf.

You can check the location of your nearest authorised repair agent by contacting your local STANLEY office at the address indicated in this manual. Alternatively, a list of authorised STANLEY repair agents and full details of our after-sales service and contacts are available on the Internet at: [www.2helpU.com](http://www.2helpU.com).

## NOTES

STANLEY's policy is one of continuous improvement to our products and as such, we reserve the right to change product specifications without prior notice. Standard equipment and accessories may vary by country. Product specifications may differ by country.

Complete product range may not be available in all countries. Contact your local STANLEY dealers for range availability

## SERVICE INFORMATION

STANLEY offers a full network of company-owned and authorized service locations. All STANLEY Service Centers are staffed with trained personnel to provide customers with efficient and reliable power tool service. For more information about our authorized service centers and if you need technical advice, repair, or genuine factory replacement parts, contact the STANLEY location nearest you.

## TECHNICAL DATA

ROTARY HAMMER		STHR272
Voltage	V	220-240
Frequency	Hz	50-60
Power input	W	850
No-load speed	min <sup>-1</sup>	700
Impact rate	bpm	3400
Impact energy (EPTA / Max)	J	4.1 / 5.6
Modes		2
<b>Max capacity</b>		
- Concrete	mm	26
Weight	kg	5.1

## ONE YEAR WARRANTY

If your STANLEY product becomes defective due to faulty materials or workmanship within 12 months from the date of purchase, STANLEY guarantees to replace all defective parts free of charge or – at our discretion – replace the unit free of charge provided that:

- The product has not been misused and has been used in accordance with the instruction manual;
- The product has been subject to fair wear and tear;
- Repairs have not been attempted by unauthorized persons;
- Proof of purchase is produced.
- The STANLEY product is returned complete with all original components
- The product hasn't been used for hire purposes

If you wish to make a claim, contact your seller or check the location of your nearest authorised STANLEY repair agent in the STANLEY catalogue or contact your local STANLEY office at the address indicated in this manual. A list of authorised STANLEY repair agents and full details of our after sales service is available on the internet at: [www.2helpU.com](http://www.2helpU.com)

