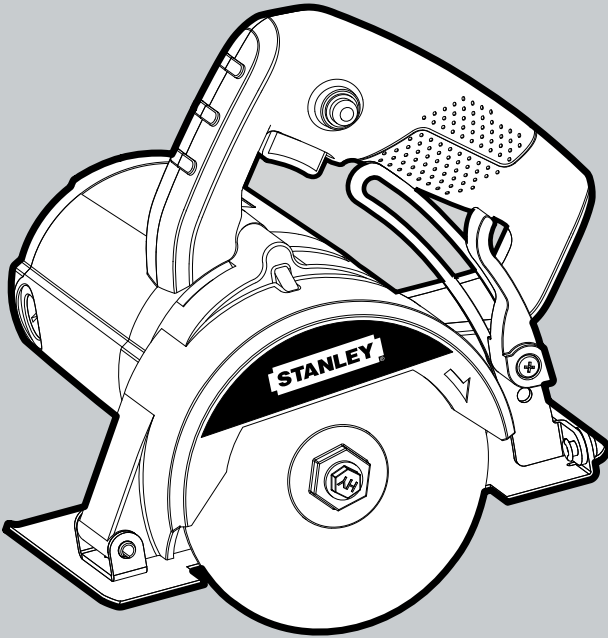


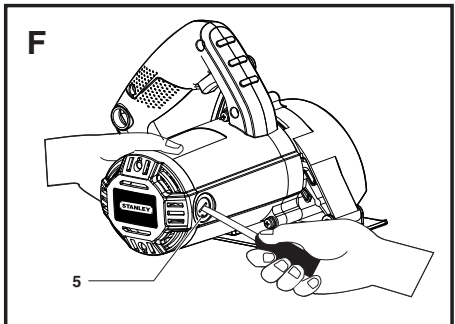
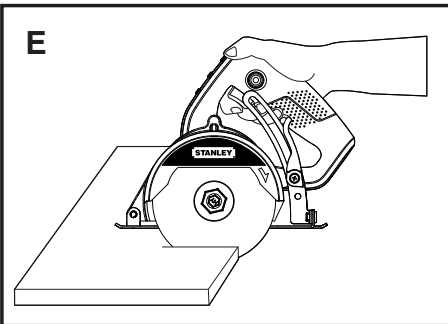
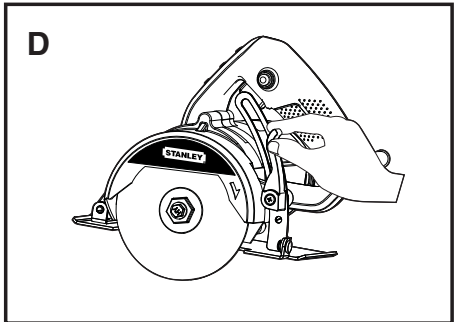
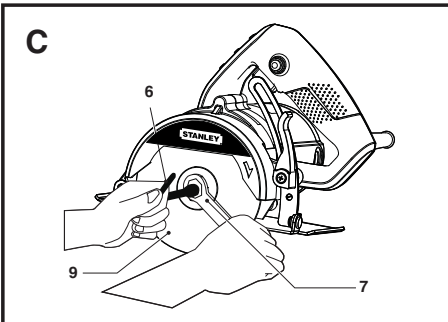
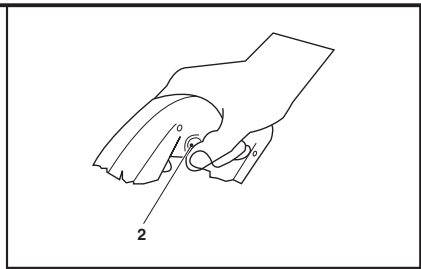
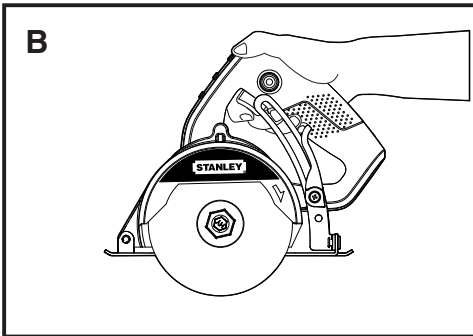
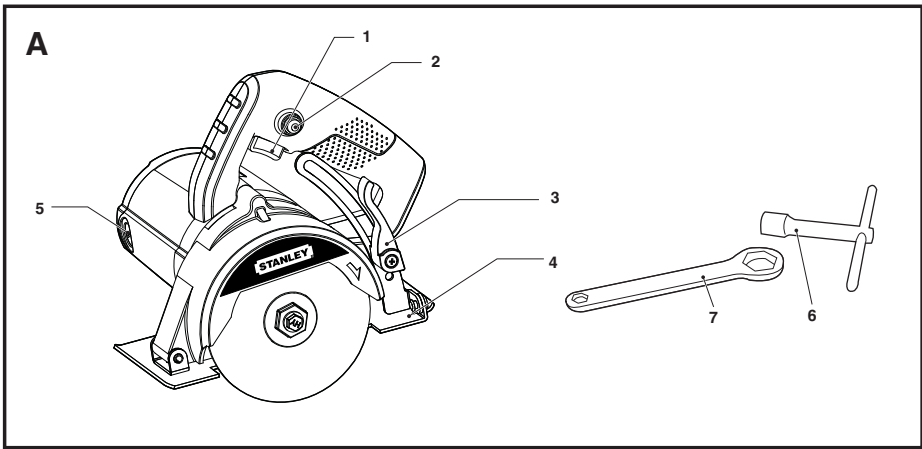
STANLEY

®



STEL785

English	3
INDONESIA	9
ภาษาไทย	14
TIẾNG VIỆT	19



STEL785 110mm Tile/Marble Cutter

TECHNICAL DATA

SPECIFICATION	STEL785	
VOLTAGE	V	220-240
POWER	W	1,200
RATED SPEED	/min	14,500
WHEEL DIAMETER	mm	110
MAX. DEPTH OF CUT	mm	34
WEIGHT	kg	2.69
CABLE LENGTH	m	2

INTENDED USE

Your Stanley tile cutter has been designed for cutting applications.

GENERAL SAFETY RULES

Warning! Read all instructions. Failure to follow all instructions listed below may result in electric shock, fire and/or serious injury. The term "power tool" in all of the warnings listed below refers to your mains operated (corded) power tool or battery operated (cordless) power tool.

SAVE THESE INSTRUCTIONS.

1. Work area

- a. **Keep work area clean and well lit.** Cluttered and dark areas invite accidents.
- b. **Do not operate power tools in explosive atmospheres, such as in the presence of flammable liquids, gases or dust.** Power tools create sparks which may ignite the dust or fumes.
- c. **Keep children and bystanders away while operating a power tool.** Distractions can cause you to lose control.

2. Electrical safety

- a. **Power tool plugs must match the outlet. Never modify the plug in any way. Do not use any adapter plugs with earthed (grounded) power tools.** Unmodified plugs and matching outlets will reduce risk of electric shock.
- b. **Avoid body contact with earthed or grounded surfaces such as pipes, radiators, ranges and refrigerators.** There is an increased risk of electric shock if your body is earthed or grounded.
- c. **Do not expose power tools to rain or wet conditions.** Water entering a power tool will increase the risk of electric shock.
- d. **Do not abuse the cord. Never use the cord for carrying, pulling or unplugging the power tool. Keep cord away from heat, oil, sharp edges or moving parts.** Damaged or entangled cords increase the risk of electric shock.

- e. **When operating a power tool outdoors, use an extension cord suitable for outdoor use.** Use of a cord suitable for outdoor use reduces the risk of electric shock.
 - f. **If operating a power tool in a damp location is unavoidable, use a residual current device (RCD) protected supply.** Use of an RCD reduces the risk of electric shock.
- ### 3. Personal safety
- a. **Stay alert, watch what you are doing and use common sense when operating a power tool. Do not use a power tool while you are tired or under the influence of drugs, alcohol or medication.** A moment of inattention while operating power tools may result in serious personal injury.
 - b. **Use safety equipment. Always wear eye protection.** Safety equipment such as dust mask, non-skid safety shoes, hard hat, or hearing protection used for appropriate conditions will reduce personal injuries.
 - c. **Avoid accidental starting. Ensure the switch is in the off position before plugging in.** Carrying power tools with your finger on the switch or plugging in power tools that have the switch on invites accidents.
 - d. **Remove any adjusting key or wrench before turning the power tool on.** A wrench or a key left attached to a rotating part of the power tool may result in personal injury.
 - e. **Do not overreach. Keep proper footing and balance at all times.** This enables better control of the power tool in unexpected situations.
 - f. **Dress properly. Do not wear loose clothing or jewellery. Keep your hair, clothing and gloves away from moving parts.** Loose clothes, jewellery or long hair can be caught in moving parts.
 - g. **If devices are provided for the connection of dust extraction and collection facilities, ensure these are connected and properly used.** Use of these devices can reduce dust related hazards.
- ### 4. Power tool use and care
- a. **Do not force the power tool. Use the correct power tool for your application.** The correct power tool will do the job better and safer at the rate for which it was designed.
 - b. **Do not use the power tool if the switch does not turn it on and off.** Any power tool that cannot be controlled with the switch is dangerous and must be repaired.
 - c. **Disconnect the plug from the power source and/or the battery pack from the power tool before making any adjustments, changing accessories, or storing power tools.** Such preventive safety measures reduce the risk of starting the power tool accidentally

- d. Store idel power tools out of the reach of children and do not allow persons unfamiliar with the power tool or these instructions to operate the power tool.** Power tools are dangerous in the hands of untrained users.
- e. Maintain power tools. Check for misalignment or binding of moving parts, breakage of parts and any other condition that may affect the power tools operation.** If damaged, have the power tool repaired before use. Many accidents are caused by poorly maintained power tools.
- f. Keep cutting tools sharp and clean.** Properly maintained cutting tools with sharp cutting edges are less likely to behind and are easier to control.
- g. Use the power tool, accessories and tool bits etc., in accordance with these instructions, taking into account the working conditions and the work to be performed.** Use of the power tool for operations different from those intended could result in hazardous situation.

5. Service

- a. Have your power tool serviced by a qualified repair person using only identical replacement parts.** This will ensure that the safety of the power tool is maintained.

Safety instructions for abrasive cutting-off operations

Cut-off machine safety warnings

- a) The guard provided with the tool must be securely attached to the power tool and positioned for maximum safety, so the least amount of wheel is exposed towards the operator. Position yourself and bystanders away from the plane of the rotating wheel.** The guard helps to protect operator from broken wheel fragments and accidental contact with wheel.
- b) Use only bonded reinforced or diamond cut-off wheels for your power tool.** Just because an accessory can be attached to your power tool, it does not assure safe operation.
- c) The rated speed of the accessory must be at least equal to the maximum speed marked on the power tool.** Accessories running faster than their rated speed can break and fly apart.
- d) Wheels must be used only for recommended applications.** For example: do not grind with the side of cut-off wheel. Abrasive cut-off wheels are intended for peripheral grinding, side forces applied to these wheels may cause them to shatter.
- e) Always use undamaged wheel flanges that are of correct diameter for your selected wheel.** Proper wheel flanges support the wheel thus reducing the possibility of wheel breakage.
- f) Do not use worn down reinforced wheels from larger power tools.** Wheels intended for a larger power tool are not suitable for the higher speed of a smaller tool and may burst.
- g) The outside diameter and the thickness of your accessory must be within the capacity rating of your power tool.** Incorrectly sized accessories cannot be adequately guarded or controlled.
- h) The arbour size of wheels and flanges must properly fit the spindle of the power tool.** Wheels and flanges with arbour holes that do not match the mounting hardware of the power tool will run out of balance, vibrate excessively and may cause loss of control.
- i) Do not use damaged wheels. Before each use, inspect the wheels for chips and cracks.** If power tool or wheel is dropped, inspect for damage or install an undamaged wheel. After inspecting and installing the wheel, position yourself and bystanders away from the plane of the rotating wheel and run the power tool at maximum no load speed for one minute. Damaged wheels will normally break apart during this test time.
- j) Wear personal protective equipment.** Depending on application, use face shield, safety goggles or safety glasses. As appropriate, wear dust mask, hearing protectors, gloves and shop apron capable of stopping small abrasive or workpiece fragments. The eye protection must be capable of stopping flying debris generated by various operations. The dust mask or respirator must be capable of filtrating particles generated by your operation. Prolonged exposure to high intensity noise may cause hearing loss.
- k) Keep bystanders a safe distance away from work area.** Anyone entering the work area must wear personal protective equipment. Fragments of workpiece or of a broken wheel may fly away and cause injury beyond immediate area of operation.
- l) Hold the power tool by insulated gripping surfaces only, when performing an operation where the cutting accessory may contact hidden wiring or its own cord.** Cutting accessory contacting a "live" wire may make exposed metal parts of the power tool "live" and could give the operator an electric shock.
- m) Position the cord clear of the spinning accessory.** If you lose control, the cord may be cut or snagged and your hand or arm may be pulled into the spinning wheel.
- n) Never lay the power tool down until the accessory has come to a complete stop.** The spinning wheel may grab the surface and pull the power tool out of your control.
- o) Do not run the power tool while carrying it at your side.** Accidental contact with the spinning accessory

could snag your clothing, pulling the accessory into your control.

- p) **Regularly clean the power tool's air vents.** The motor's fan will draw the dust inside the housing and excessive accumulation of powdered metal may cause electrical hazards.
- q) **Do not operate the power tool near flammable materials.** Sparks could ignite these materials.
- r) **Do not use accessories that require liquid coolants.** Using water or other liquid coolants may result in electrocution or shock.

Kickback and related warnings

Kickback is a sudden reaction to a pinched or snagged rotating wheel. Pinching or snagging causes rapid stalling of the rotating wheel which in turn causes the uncontrolled power tool to be forced in the direction opposite of the wheel's rotation at the point of the binding. For example, if an abrasive wheel is snagged or pinched by the workpiece, the edge of the wheel that is entering into the pinch point can dig into the surface of the material causing the wheel to climb out or kick out. The wheel may either jump toward or away from the operator, depending on direction of the wheel's movement at the point of pinching. Abrasive wheels may also break under these conditions.

Kickback is the result of power tool misuse and/or incorrect operating procedures or conditions and can be avoided by taking proper precautions as given below.

- a) **Maintain a firm grip on the power tool and position your body and arm to allow you to resist kickback forces.** Always use auxiliary handle, if provided, for maximum control over kickback or torque reaction during start-up. The operator can control torque reactions or kickback forces, if proper precautions are taken.
- b) **Never place your hand near the rotating accessory.** Accessory may kickback over your hand.
- c) **Do not position your body in line with the rotating wheel.** Kickback will propel the tool in direction opposite to the wheel's movement at the point of snagging.
- d) **Use special care when working corners, sharp edges etc.** Avoid bouncing and snagging the accessory. Corners, sharp edges or bouncing have a tendency to snag the rotating accessory and cause loss of control or kickback.
- e) **Do not attach a saw chain, woodcarving blade, segmented diamond wheel with a peripheral gap greater than 10 mm or toothed saw blade.** Such blades create frequent kickback and loss of control.
- f) **Do not "jam" the wheel or apply excessive pressure.** Do not attempt to make an excessive depth of cut. Overstressing the wheel increases the loading and susceptibility to twisting or binding of the wheel in the cut and the possibility of kickback or

wheel breakage.

- g) **When wheel is binding or when interrupting a cut for any reason, switch off the power tool and hold the power tool motionless until the wheel comes to a complete stop.** Never attempt to remove the wheel from the cut while the wheel is in motion otherwise kickback may occur. Investigate and take corrective action to eliminate the cause of wheel binding.
- h) **Do not restart the cutting operation in the workpiece. Let the wheel reach full speed and carefully re-enter the cut.** The wheel may bind, walk up or kickback if the power tool is restarted in the workpiece.
- i) **Support panels or any oversized workpiece to minimize the risk of wheel pinching and kickback.** Large workpieces tend to sag under their own weight. Supports must be placed under the workpiece near the line of cut and near the edge of the workpiece on both sides of the wheel.
- j) **Use extra caution when making a "pocket cut" into existing walls or other blind areas.** The protruding wheel may cut gas or water pipes, electrical wiring or objects that can cause kickback.

Additional Safety Instructions for Tile/Marble Cutters



⚠CAUTION: Hold tool by insulated gripping surfaces when performing an operation where the cutting tool may contact hidden wiring or its own cord. Contact with a "live" wire will make exposed metal parts of the tool "live" and shock the operator.

1. **Always keep your hands away from the cutting area and the diamond disk.** Always keep the other hand on the side handle. If you hold the tool with both hands, your hands will not be injured by the disk.
2. **Do not touch the underside of the work** because the guard cannot protect the part of the disk under the work.
3. **Always use a diamond disk with well-matched size and center (diamond or circular shape).** Mismatched disk and holder will result in eccentric operation out of control.
4. **Do not use any washer or bolt that is damaged or unfit in size;** otherwise you will lose control of operation.
5. **Do not use any grinding wheel.**
6. **Do not use any diamond disc that does not conform to the Manufacturer's stipulations.**
7. **Do not use any cutting disk that has been damaged, distorted or cracked.**
8. **Do not operate the tool without the fixed guard.**
9. **Do not start the tool with the disk touching the work.**

10. When switching off the tool, do not put down the tool until the disc completely stops running, nor should any external force be exerted to stop the disk.
11. Disconnect the plug from the power source and ensure the diamond disk stand still when replacing the disc, adjusting the cutting depth or water pipe, or repairing the tool.
12. Only hold the tool by its insulated gripping surface when the diamond disk is possibly cutting through concealed wires or its own cord. If the diamond disk touches a "live" wire, the tool's exposed metal parts may be energized and thus shock the operator.
13. Be especially cautious when "blind cutting" through walls or other blind areas because the diamond disk may cut gas or water piping, wires or resilient objects.

Symbols

The label on your tool may include the following symbols:

- VVolts
- AAmperes
- HzHertz
- WWatts
- min.....minutes
- ~Alternating current
-Direct current
- nRated Speed
-Class II Construction
- ⚠Safety alert symbol
- .../min.....Revolutions or reciprocations per minute
-  **WARNING!** To reduce the risk of injury, the user must read the instruction manual.
-  Wear safety glasses or goggles when operating this tool.

Double Insulation

□ The tool is double insulated. This means that all the external metal parts are electrically insulated from the mains power supply. This is done by placing insulated barriers between the electrical and mechanical components so as to making unnecessary for the tool to be earthed.

NOTE: Double insulation does not take the place of normal safety precautions when operating this tool. The insulation system is for added protection against injury resulting from a possible electrical insulation failure within the tool.

Electrical Safety

The electric motor has been designed for one voltage only. Always check that the power supply corresponds to the voltage on the rating plate.


Using an Extension Cable

An extension cable should not be used unless absolutely necessary. Use of an improper extension cable could result in a risk of fire and electric shock. If an extension cable must be used, use only those that are approved by the country's Electrical Authority. Make sure that extension cord is in good condition before using. Always use the cord that is suitable for the power input of your tool (see technical data on name plate). The minimum conductor size is 1mm²; the maximum length is 30m. When using a cable reel, always unwind the cable completely.

Features (Fig. A)

1. On / off switch
2. Lock-on button
3. Depth-of-cut adjustment lever
4. Base
5. Brush Cap
6. Socket wrench
7. Spanner

Assembly and Adjustment

 Prior to assembly and adjustment always unplug the tool.

Fitting & Removing the Diamond Wheel (Fig. C)

Fitting

- Insert the diamond wheel (9) to the spindle.
- Grip outside flange with spanner (7) and turn socket wrench (6) counterclockwise.

 Be sure to tighten clamp bolt securely.

 Use only the recommended diamond wheel with the correct hole size.

Removing


- Follow the procedure above in reverse order.

Cutting Depth Adjustment (Fig. D)

- To increase or decrease the depth of cut, loosen by pulling the Depth-of-cut adjustment lever (3) down.
- For minimum depth of cut, move/slide wing nut towards the "-" sign.
- To increase the depth of cut, move adjustment lever upwards, away from the base.
- At the desired depth of cut, secure the base by tightening the adjustment lever.
- At anytime, the depth-of-cut adjustment knob can also be set to a desired position to suit the user.

Instruction for Use

 Always observe the safety instructions and applicable regulations.

 Ensure that the depth-of-cut adjustment lever (3) is properly tightened before operating the tool.

Switching On And Off (Fig. E)

- To switch the tool on, press the on/off switch (1).
- To switch the tool off, release the on/off switch. This tool has a lock-on feature.
- To activate press the on/off switch and the then lock-on button (2).
- To de-activate press the on/off button again. Always switch off the tool when work is finished and before unplugging.

Cutting (Fig. E)

- Align the edge of the front of the base with the cutting line on the work piece. Hold the tool firmly.
- Set the base on the work piece to be cut without the wheel making any contact.
- Turn tool on and wait until the wheel attains full speed.
- Move the tool forward over the work piece surface, advancing smoothly until the cut is completed.
- Keep the cutting line straight.
- **This tool should only be used on horizontal surfaces.**
- Be sure to move the tool gently forward, in a straight line. Forcing, or exerting excessive pressure, or allowing the wheel to bend, pinch or twist in the cut can cause the motor to over heat and tool to kickback dangerously.
- **When cutting the work piece over 20mm deep, make 2 or 3 separate cuts to prevent motor failure.**


Maintenance

Your Stanley power tool has been designed to operate over a long period of time with a minimum of maintenance. Continuous satisfactory operation depends upon proper tool care and regular cleaning.

Motor Brushes (Fig. F)

- Remove and check carbon brushes regularly. Replace when they have worn down to about 6mm or less.
- Keep carbon brushes clean for free movement in the holder. Both carbon brushes should be replaced at the same time.
- Use only Stanley carbon brushes. Use a screwdriver to remove brush caps (5).
- Take out worn brushes, insert new ones, and secure the brush caps.

Cleaning

 **Warning:** unplug the tool before you use a cloth to clean the housing. With the motor running, blow dirt and dust out of all air vents with dry air at least once a week. Wear safety glasses when performing this. Exterior plastic parts may be cleaned with a damp cloth and mild detergent. Although these parts are highly solvent resistant, NEVER use solvents.

Tool Care

Avoid overloading the machine. Overloading will result in a considerable reduction in speed and efficiency and the unit will become hot. In this event, run the machine at no load for a minute or two until cooled to normal working temperature by the built in fan. Switching your machine on and off whilst under load will considerably reduce the life of the switch.


Important

To ensure product SAFETY and RELIABILITY, repairs, maintenance and adjustment (other than those listed in this manual) should be performed by authorized service centers or other qualified organizations, always using identical replacement parts. Unit contains no user serviceable parts inside.

Accessories

The performance of any power tool is dependent upon the accessory used. Stanley accessories are engineered to high quality standards and are designed to enhance the performance of power tool. Stanley offers a large selection of accessories available at our local dealer or authorized service center at extra cost.


Note: use only accessories rated at least equal to the maximum speed marked on the tool.

 **CAUTION:** The use of any other accessory not recommended for use with this tool could be hazardous.

 **No grinding disc is allowed to use on this tool.**

 **No wood-cutting disc is allowed on this tool.**

Protecting The Environment

 Should you find one day that your tool needs replacement, or if it is of no further use to you, think of the protection of the environment. Stanley recommends you to contact your local council for disposal information.

Service Information

Stanley offers a full network of company-owned and authorized service locations throughout Asia. All Stanley Service Centers are staffed with trained personnel to provide customers with efficient and reliable power tool service. Whether you need technical advice, repair, or genuine factory replacement parts, contact the Stanley location nearest to you.

Notes

- Stanley's policy is one of continuous improvement to our products and, as such, we reserve the right to change product specifications without prior notice.
- Standard equipment and accessories may vary by country.
- Product specifications may differ by country.
- Complete product range may not be available in all countries.
- Contact your local Stanley dealers for range availability.

STEL785 PEMOTONG UBIN/MARMER 110MM

DATA TEKNIS

SPEKIFIKASI	STEL785	
DAYA	W	1.200
KECEPATAN TANPA BEBAN	/mm	14500
DIAMETER RODA	mm	110
KEDALAMAN POTONG MAKS.	mm	34
BERAT	Kg	2.69
PANJANG KABEL	m	2

PEMGUNAAN

Pemotong ubin Stanley anda dirancang untuk penggunaan pemotongan.

ATURAN KESELAMATAN UMUM



Peringatan! Bacalah semua petunjuk. Kegagalan untuk mematuhi semua petunjuk yang tercantum di bawah ini dapat mengakibatkan sengatan listrik, kebakaran dan/atau cedera berat. Istilah 'alat listrik' dalam semua peringatan yang tercantum di bawah merujuk kepada alat listrik yang dioperasikan oleh (menggunakan kabel) catu daya atau alat listrik yang dioperasikan baterai (tanpa kabel).

SIMPANLAH PETUNJUK INI

1. Area Kerja

- Jagalah agar area kerja selalu bersih dan berpenerangan cukup.** Area yang tidak rapi dan gelap mengundang kecelakaan.
- Jangan mengoperasikan alat listrik di lingkungan yang dapat meledak, seperti adanya cairan yang mudah terbakar, gas atau debu.** Alat listrik menimbulkan percikan api yang dapat membakar debu atau uap.
- Jauhkanlah anak-anak dan orang di sekitar anda selagi mengoperasikan sebuah alat listrik.** Pengalihan perhatian dapat membuat anda kehilangan kendali.

2. Keselamatan Terkait Listrik

- Colokan alat listrik harus cocok dengan stopkontak.** Jangan sekali-kali memodifikasi colokan dengan cara apapun. Jangan gunakan colokan adapter apapun dengan alat listrik yang dihubungkan ke bumi (digrounding). Colokan yang tidak dimodifikasi dan stopkontak yang cocok akan mengurangi risiko sengatan listrik.

- Hindari kontak tubuh dengan permukaan yang dihubungkan ke bumi atau digrounding, seperti pipa, radiator, kompor dan lemari es.** Risiko sengatan listrik meningkat jika tubuh anda terhubung ke bumi atau ter"grounding".
- Jangan biarkan alat listrik terpapar hujan atau kondisi basah.** Air yang memasuki alat listrik akan meningkatkan risiko sengatan listrik.
- Jangan menyalah-gunakan kabel.** Jangan sekali-kali menggunakan kabel untuk membawa, menarik atau melepaskan colokan alat listrik dari stopkontak. Jauhkan kabel dari panas, minyak, pinggiran benda tajam atau benda bergerak. Kabel yang rusak atau tersangkut meningkatkan risiko sengatan listrik.
- Ketika mengoperasikan sebuah alat listrik di luar rumah, gunakan kabel tambahan yang cocok untuk digunakan di luar rumah.** Penggunaan kabel yang cocok untuk digunakan di luar rumah mengurangi risiko sengatan listrik.

3. Keselamatan Pribadi

- Tetaplah waspada, perhatikan apa yang anda lakukan dan gunakan akal sehat ketika mengoperasikan sebuah alat listrik. Jangan gunakan alat listrik ketika anda lelah atau berada di bawah pengaruh obat-obatan, alcohol atau meditasi.** Sedetik saja kehilangan kewaspadaan selagi mengoperasikan alat listrik dapat menimbulkan cedera tubuh yang serius.
- Gunakan alat keselamatan. Selalulah memakai pelindung mata.** Peralatan keselamatan seperti masker debu, sepatu keselamatan anti-slip, topi pengaman, atau pelindung telinga yang digunakan sesuai kondisi akan mengurangi cedera tubuh.
- Hindari mesin yang hidup secara tidak disengaja. Pastikan tombol dalam posisi off sebelum mencolokkan kabel ke catu daya.** Membawa alat listrik dengan jari anda pada tombol atau mencolokkan alat listrik yang tombolnya dalam posisi 'on' mengundang kecelakaan.
- Lepaskan kunci pengatur atau kunci inggris apapun sebelum menghidupkan alat listrik.** Sebuah kunci inggris atau kunci yang dibiarkan terhubung ke bagian yang berputar pada alat listrik dapat mengakibatkan cedera tubuh.
- Jangan berdiri terlalu jauh. Jagalah pijakan kaki yang tepat dan keseimbangan sepanjang waktu.** Ini memungkinkan kendali yang lebih baik atas alat listrik dalam situasi tak terduga.
- Gunakan pakaian yang tepat. Jangan memakai pakaian yang longgar atau perhiasan. Jaga agar rambut, pakaian dan**

sarung tangan anda jauh dari bagian-bagian alat yang bergerak. Pakaian longgar, perhiasan atau rambut panjang dapat tersangkut pada bagian-bagian yang bergerak.

- g. **Jika alat diberikan untuk dihubungkan ke penghisap debu dan fasilitas pengumpulan, pastikan alat tersebut terhubung dan digunakan dengan benar.** Penggunaan alat ini dapat mengurangi bahaya terkait debu.
- h. **Gunakan klem atau cara praktis lain untuk mengamankan dan menopang benda yang dikerjakan pada landasan yang stabil.** Menahan benda kerja dengan tangan atau pada tubuh anda membuatnya menjadi tidak stabil dan dapat menyebabkan hilang kendali. Sebelum mengebor ke dinding, lantai atau langit-langit, periksa lokasi perkabelan dan pipa. Hindari menyentuh ujung sebuah mata bor setelah mengebor, ia mungkin panas.

4. Penggunaan dan Perawatan Alat Listrik

- a. **Jangan memaksakan penggunaan alat listrik. Gunakan alat listrik yang tepat untuk keperluan anda.** Alat listrik yang tepat akan melakukan pekerjaan lebih baik dan lebih aman pada tingkat dimana ia dirancang.
- b. **Jangan gunakan alat listrik jika tombolnya tidak dapat menghidupkan atau mematikan alat.** Setiap alat listrik yang tak dapat dikendalikan dengan tombol adalah berbahaya dan harus diperbaiki.
- c. **Lepaskan colokan dari catu daya sebelum melakukan suatu penyesuaian, mengganti aksesoris, atau menyimpan alat listrik.** Langkah keselamatan preventif ini mengurangi risiko hidupnya alat listrik secara tidak disengaja.
- d. **Simpan alat listrik yang 'nganggur' diluar jangkauan anak-anak dan jangan biarkan orang yang tidak terbiasa dengan alat listrik atau petunjuk ini mengoperasikan alat listrik.** Alat listrik berbahaya di tangan pengguna yang tak terlatih.
- e. **Rawatlah alat listrik. Periksa apakah ada bagian-bagian bergerak yang terlepas atau terikat, bagian-bagian yang patah dan kondisi lain yang dapat mempengaruhi operasi alat listrik. Jika rusak, perbaikilah alat listrik sebelum digunakan.** Banyak kecelakaan disebabkan oleh alat listrik yang tidak dirawat dengan baik
- f. **Gunakan alat listrik, aksesoris dan mata alat, dsb, sesuai dengan petunjuk ini dan dengan cara yang dimaksudkan untuk jenis alat**

listrik tertentu, dengan memperhitungkan kondisi kerja dan pekerjaan yang akan dilakukan. Penggunaan alat listrik untuk operasi yang berbeda dari yang dimaksudkan dapat mengakibatkan situasi berbahaya.

5. Servis

- a. **Servislah alat listrik anda oleh teknisi perbaikan yang berkompeten dengan menggunakan hanya sukucadang pengganti yang identik.** Ini akan memastikan bahwa keselamatan alat listrik itu terjaga.

PETUNJUK KESELAMATAN TAMBAHAN UNTUK ALAT PEMOTONG UBIN / MARMER



PERHATIAN: Peganglah alat pada permukaan cengkram yang diisolasi ketika melakukan sebuah operasi dimana alat pemotong dapat menyentuh kabel tersembunyi atau kabelnya sendiri. Sentuhan dengan kabel yang 'hidup' akan membuat bagian-bagian logam yang terbuka pada alat itu 'hidup' dan mengejutkan pemakai/operator.



1. **Selalu jauhkan tangan anda dari area pemotongan dan 'cakram berlian'.** Jaga agar tangan anda yang lain selalu pada pegangan samping. Jika anda memegang alat ini dengan kedua tangan, tangan anda tidak akan terluka oleh cakram.
2. **Jangan menyentuh sisi bawah pekerjaan,** karena pengaman tidak dapat melindungi bagian cakram yang berada di bawah pekerjaan.
3. **Selalu gunakan cakram berlian dengan ukuran dan bagian tengah yang benar-benar cocok (bentuk berlian atau lingkaran).** Cakram dan pegangan yang tidak cocok akan membuat pengoperasian lepas kendali dan aneh.
4. **Jangan gunakan pencuci atau baut yang rusak atau yang ukurannya tidak pas,** atau anda akan kehilangan kendali atas operasi.
5. **Jangan gunakan roda gerinda.**
6. **Jangan gunakan cakram berlian yang tidak sesuai dengan ketentuan pabrikan.**
7. **Jangan gunakan cakram pemotong yang telah rusak, terdistorsi atau retak.**
8. **Jangan operasikan alat tanpa pengaman.**
9. **Jangan mengawali alat dengan disk menyentuh pekerjaan.**
10. **Ketika mematikan alat, jangan meletakkan alat sampai disk benar-benar berhenti, atau bilamana ada kekuatan**

eksternal akan diberikan untuk menghentikan disk.

11. Cabutlah steker dari sumber listrik dan. pastikan cakram berlian diam saat menggantungkan disk, menyesuaikan kedalaman pemotongan atau pipa air, atau memperbaiki alat tersebut.
12. Hanya pegang alat pada permukaan pencengkeraman yang diisolasi ketika cakram berlian memotong kabel yang tersembunyi atau kabelnya sendiri. Jika cakram berlian menyentuh kabel yang "hidup", bagian logam alat yang terkelupas dapat menimbulkan tenaga dan kejutan pada operator.
13. Perhatikan secara khusus "pemotongan buta" pada dinding atau daerah lain yg tidak kelihatan, karena cakram berlian dapat memotong pipa gas atau air, kabel atau benda-benda berpegas.

SIMBOL-SIMBOL

Label pada alat anda terdapat simbol-simbol berikut:

V	Voltase
A	Amper
Hz	Hertz
W	Watt
Min	Menit
~	Arus bolak balik
==	Arus searah
n_0	tidak ada kecepatan pemuatan
	Konstruksi kelas II
	Lambang peringatan keselamatan
.../min	Menit perputaran atau gerak timbal balik

ISOLASI GANDA



Alat ini diisolasi ganda. Ini berarti bahwa semua bagian logam eksternal diisolasi secara elektrik dari catu daya utama. Ini dilakukan dengan menempatkan penghambat terisolasi antara komponen-komponen listrik dan mekanis sedemikian rupa sehingga membuat alat ini tidak perlu dihubungkan ke bumi (grounding).

CATATAN: Isolasi ganda tidak menggantikan langkah keselamatan normal ketika mengoperasikan alat ini. System isolasi berperan sebagai pelindung tambahan terhadap cedera yang diakibatkan oleh kemungkinan kegagalan isolasi listrik di dalam alat.

Keselamatan Dari Listrik

Motor listrik dirancang untuk satu voltase saja. Selalu periksa apakah catu daya sesuai dengan voltase pada pelat spesifikasi.

Menggunakan Kabel Tambahan

Kabel tambahan tidak boleh digunakan kecuali benar-benar diperlukan. Penggunaan kabel tambahan yang tidak tepat dapat menimbulkan risiko kebakaran dan sengatan listrik. Jika kabel tambahan harus digunakan, gunakan hanya yang disetujui oleh Otoritas Kelistrikan Negara anda. Pastikan bahwa kabel tambahan itu berada dalam kondisi baik sebelum digunakan. Selalu gunakan kabel yang cocok untuk input daya pada alat anda (lihat data teknis pada pelat nama). Ukuran konduktor minimal adalah 1mm², panjang maksimal adalah 30m. ketika menggunakan sebuah rol kabel, selalulah membuka gulungan kabel sepenuhnya.

FITUR-FITUR (GAMBAR A)

1. Tombol on/off
2. Tombol penguncian
3. Tuas pengatur kedalaman pemotongan
4. Dasar
5. Tutup kuas
6. Kunci inggris untuk stopkontak
7. Spener

PERAKITAN DAN PENYESUAIAN



Peringatan! Sebelum melakukan perakitan dan penyesuaian, selalu lepaskan kabel dari alat ini.

MEMASANG & MELEPASKAN RODA BERLIAN (GAMBAR C)

Memasang

- Masukkan roda berlian (9) ke kumparan
- Cengkram flens luar dengan spener (7) dan putar kunci inggris stop kontak (6) berlawanan arah jarum jam



Pastikan anda memasang baut klem dengan kencang



Gunakan hanya roda berlian yang direkomendasikan dengan ukuran lubang yang tepat.

Melepaskan

- Ikuti prosedur diatas dengan arah sebaliknya

PENYESUAIAN KEDALAMAN PEMOTONGAN (GAMBAR D)

- Untuk menambah atau mengurangi kedalaman pemotongan, longgarkan dengan cara menarik tuas penyesuaian kedalaman pemotongan (3) ke bawah.
- Untuk kedalaman pemotongan minimal, pindahkan/ geser mur sayap kearah tanda “-”.
- Untuk menambah kedalaman pemotongan, pindahkan tuas penyesuaian keatas, menjauh dari dasar.
- Pada kedalaman pemotongan yang diinginkan, amankan bagian dasar dengan mengencangkan tuas penyesuaian.
- Setiap saat, tombol penyesuaian kedalaman pemotongan dapat juga diset ke posisi yang diinginkan sesuai kebutuhan pengguna.

Petunjuk Penggunaan



Selalu patuhi petunjuk keselamatan dan peraturan yang berlaku.



Pastikan bahwa tuas penyesuaian kedalaman pemotongan (3) dikencangkan dengan benar sebelum mengoperasikan alat.

MENGHIDUPKAN DAN MEMATIKAN (GAMBAR E)

- Untuk menghidupkan alat, tekan tombol on/off (1)
- Untuk mematikan alat, lepaskan tombol on/off. Alat ini mempunyai fitur penguncian.
- Untuk mengaktifkan, tekan tombol on/off dan kemudian tombol penguncian (2).
- Untuk menon-aktifkan, tekan tombol on/off lagi. Selalu matikan alat ketika pekerjaan selesai dan sebelum melepaskan kabelnya.

PEMOTONGAN (GAMBAR E)

- Sambungkan sisi bagian depan dasar dengan jalur pemotongan pada benda yang dikerjakan. Tahan alat dengan kuat.
- Tempatkan bagian dasar pada benda yang akan dipotong tanpa sentuhan dari roda.
- Hidupkan alat dan tunggu sampai roda mencapai kecepatan penuh.
- Gerakkan alat ke atas permukaan benda yang akan dikerjakan, majukan pelan-pelan hingga pemotongan selesai.
- Jaga agar jalur pemotongan tetap lurus.
- **Alat ini hanya boleh digunakan pada permukaan mendatar (horizontal).**
- Pastikan bahwa anda memajukan alat pelan-pelan, pada sebuah jalur lurus. Memaksa, atau menggunakan

tekanan berlebihan, atau membiarkan roda menjadi bengkok, terjepit atau melintir dalam pemotongan dapat menyebabkan motor menjadi terlalu panas dan alat melakukan ‘serangan balik’ yang berbahaya.

- Ketika memotong benda yang dikerjakan pada kedalaman lebih dari 20mm, buatlah 2 atau 3 pemotongan terpisah untuk mencegah kegagalan motor.

PERAWATAN

Alat listrik Stanley anda dirancang untuk beroperasi dalam waktu lama dengan perawatan minimal. Pemakaian yang memuaskan secara terus menerus tergantung pada perawatan alat yang benar dan pembersihan teratur.

KUAS MOTOR (GAMBAR F)

- Lepaskan dan periksa kuas karbon secara teratur.
- Gantilah bila kuas telah mengalami keausan kira-kira 6 mm atau kurang.
- Jagalah selalu kebersihan kuas karbon untuk pergerakan yang leluasa pada tempatnya. Kedua kuas karbon harus diganti pada saat yang sama.
- Gunakan hanya kuas karbon stanley. Gunakan sebuah skrup untuk melepaskan penutup kuas (5).
- Keluarkan kuas yang telah aus, masukkan yang baru, dan amankan dengan penutup kuas.

PEMBERSIHAN



PERHATIAN: Lepaskan kabel alat dari catu daya sebelum anda menggunakan kain untuk membersihkan kerangkanya. Dalam keadaan motor berjalan, bersihkan kotoran dan debu dari semua ventilasi udara dengan udara kering paling sedikit satu kali seminggu. Pakai kacamata pelindung ketika melakukan hal ini. Bagian-bagian plastik luar dapat dibersihkan dengan kain lembab dan deterjen ringan. Meskipun bagian-bagian ini sangat tahan terhadap pelarut, JANGAN sekali-kali gunakan pelarut.

PERAWATAN ALAT

Hindari membebani mesin secara berlebihan. Beban berlebih akan mengakibatkan pengurangan kecepatan dan efisiensi secara signifikan dan unit akan menjadi panas. Dalam keadaan ini, jalankan mesin tanpa dimuati beban selama satu atau dua menit hingga mendingin ke suhu kerja normal oleh kipas yang terpasang. Mematikan atau menghidupkan mesin anda selagi dimuati beban akan mengurangi masa pakai tombol secara signifikan.

PENTING

Untuk memastikan KESELAMATAN dan KEHANDALAN produk, perbaikan, perawatan dan penyesuaian (selain yang tercantum di dalam buku panduan ini) harus dilakukan oleh pusat layanan resmi atau lembaga berkompeten lainnya, dengan selalu menggunakan sukucadang pengganti yang identik. Unit ini tidak memuat bagian–bagian yang dapat diservis oleh pengguna.

AKSESORIS

Kinerja setiap alat listrik tergantung pada aksesoris yang digunakan. Aksesoris Stanley dibuat dengan standar kualitas tinggi dan dirancang untuk memperkuat kinerja alat listrik. Stanley menawarkan banyak pilihan aksesoris yang tersedia pada dealer lokal atau pusat layanan resmi kami dengan biaya tambahan.

CATATAN: gunakan hanya aksesoris dengan ukuran yang paling sedikit setara kecepatan maksimal yang tercantum pada alat.



PERHATIAN: penggunaan aksesoris lain yang tidak direkomendasikan untuk digunakan dengan alat ini dapat menimbulkan bahaya.



Dilarang menggunakan cakram gerinda pada alat ini.



Dilarang menggunakan cakram pemotong kayu pada alat ini.

MELINDUNGI LINGKUNGAN



Apabila suatu hari anda menemukan bahwa alat anda perlu diganti, atau jika ia tidak anda butuhkan lagi, pikirkanlah untuk melindungi lingkungan. Stanley merekomendasikan agar anda menghubungi dewan kota setempat untuk informasi mengenai cara pembuangan alat ini.

INFORMASI SERVIS

Stanley menawarkan sebuah jaringan lengkap lokasi–lokasi layanan resmi dan dimiliki perusahaan di seluruh Asia. Semua pusat layanan Stanley mempekerjakan personel terlatih untuk menyediakan servis alat listrik yang efisien dan handal bagi pelanggan. Apakah anda membutuhkan nasihat teknis, perbaikan, atau sukucadang pengganti asli pabrik, hubungi lokasi Stanley yang terdekat dengan anda.

CATATAN:

- Kebijakan Stanley adalah perbaikan terus menerus atas produk kami dan, sehubungan dengan itu, kami berhak mengubah spesifikasi produk tanpa pemberitahuan sebelumnya.
- Peralatan dan aksesoris standar dapat berbeda–beda di setiap Negara.
- Spesifikasi produk dapat berbeda–beda di setiap Negara
- Cakupan produk yang lengkap belum tentu tersedia di semua Negara.
- Hubungi dealer Stanley lokal anda untuk cakupan produk yang tersedia.

STEL785**เครื่องตัดกระเบื้อง/หินอ่อน****ขนาด 110 มม.****ข้อมูลทางด้านเทคนิค**

คุณลักษณะเฉพาะ		STEL785
กำลังไฟ	วัตต์	1200
ความเร็วขณะไม่มีภาระโหลด	/นาที่	14500
เส้นผ่าศูนย์กลางใบตัด	มม.	110
ความลึกสูงสุดของการตัด	มม.	34
น้ำหนัก	กก.	2.69
ความยาวของสายเคเบิล	กิโลกรัม	2

วัตถุประสงค์ในการใช้งาน

เครื่องตัดกระเบื้อง Stanley ได้รับการออกแบบขึ้นมาสำหรับงานตัด

กฎความปลอดภัยทั่วไป

⚠ คำเตือน! กรุณาอ่านคำแนะนำทั้งหมดอย่างละเอียด หากไม่ปฏิบัติตามคำแนะนำทั้งหมดที่ระบุไว้ ด้านล่างนี้ อาจทำให้เกิดไฟฟ้าช็อต ไฟไหม้ และ/หรือการบาดเจ็บรุนแรงได้ คำว่า “เครื่องมือไฟฟ้า” ในคำเตือนทั้งหมดที่ระบุไว้ด้านล่างนี้ หมายถึง เครื่องมือไฟฟ้าที่ทำงานผ่านสายเมน (มีสาย) หรือเครื่องมือไฟฟ้าที่ทำงานโดยใช้แบตเตอรี่ (ไร้สาย)

เก็บเอกสารเกี่ยวกับคำแนะนำเหล่านี้ไว้

- 1. บริเวณที่ทำงาน**
 - ก. รักษาความสะอาดและจัดให้มีแสงสว่างเพียงพอในบริเวณที่ทำงาน บริเวณที่คับแคบและมืดทำให้เกิดอุบัติเหตุได้
 - ข. ห้ามใช้เครื่องมือไฟฟ้าในบริเวณที่อาจเกิดการระเบิด เช่น เมื่อมีของเหลวไวไฟ แก๊ส หรือฝุ่นละออง เครื่องมือไฟฟ้าจะทำให้เกิดประกายไฟที่อาจทำให้เกิดฝุ่นหรือเปลวไฟ
 - ค. ระวังไม่ให้เด็กเล็กและคนเดินผ่านไปมาเข้าใกล้ในขณะที่ใช้งานเครื่องมือไฟฟ้า สิ่งรบกวนอาจทำให้คุณเสียสมาธิได้
- 2. ความปลอดภัยทางไฟฟ้า**
 - ก. ปลั๊กไฟของเครื่องต้องเป็นชนิดเดียวกับเต้ารับ ห้ามดัดแปลงปลั๊กไม่ว่าจะด้วยวิธีใด ห้ามใช้ตัวแปลงกับเครื่องมือไฟฟ้าที่ต่อสายดิน ปลั๊กที่ไม่มีการดัดแปลงและเต้ารับชนิดเดียวกันจะช่วยลดความเสี่ยงจากไฟ

ฟ้าช็อต

- ข. หลีกเลี่ยงการสัมผัสพื้นผิวที่ต่อสายดินหรือสายกราวนด์ เช่น ท่อ หม้อน้ำ เตาหุง และตู้เย็น มีความเสี่ยงเพิ่มขึ้นที่จะถูกไฟดูดหากร่างกายเป็นสื่อเชื่อมต่อกับสายดิน
- ค. อย่าให้เครื่องมือไฟฟ้าถูกฝนหรือเปียกน้ำ น้ำที่เข้าเครื่องมือไฟฟ้าจะเพิ่มความเสี่ยงในการถูกไฟฟ้าดูดเพิ่มขึ้น
- ง. ระวังอย่าให้สายไฟชำรุด ห้ามใช้สายไฟเพื่อหิ้ว ดึงหรือถอดปลั๊กเครื่องมือไฟฟ้า เก็บสายไฟให้พ้นจากความร้อน น้ำมัน ของมีคม หรือ ชิ้นส่วนที่กำลังเคลื่อนที่ สายไฟที่ชำรุดหรือพันกันเป็นการเพิ่มความเสี่ยงจากไฟฟ้าช็อต
- จ. เมื่อใช้เครื่องมือไฟฟ้ากลางแจ้ง ให้ใช้สายพ่วงที่เหมาะสมสำหรับการใช้งานกลางแจ้ง ใช้สายไฟที่เหมาะสมสำหรับการใช้งานกลางแจ้งเพื่อลดความเสี่ยงที่จะเกิดไฟฟ้าช็อต
- ฉ. หากไม่สามารถหลีกเลี่ยงการใช้เครื่องมือไฟฟ้าในบริเวณที่ชื้นและได้ให้ใช้อุปกรณ์ป้องกันไฟฟ้าสะสม (RCD) ที่จัดให้ ใช้ RCD เพื่อลดความเสี่ยงจากการเกิดไฟฟ้าช็อต

3. ความปลอดภัยส่วนบุคคล

- ก. ตื่นตัวและมีสมาธิกับสิ่งที่คุณกำลังทำ พร้อมใช้สามัญสำนึกเมื่อใช้เครื่องมือไฟฟ้า ห้ามใช้เครื่องมือไฟฟ้าในขณะที่คุณกำลังเหนื่อยหรืออยู่ใต้อิทธิพลของยา แอลกอฮอล์หรือการรับประทานยา การขาดความระมัดระวังในการใช้เครื่องมือไฟฟ้าแม้ชั่วขณะหนึ่งอาจทำให้บาดเจ็บสาหัสได้
- ข. การใช้อุปกรณ์นิรภัย สวมแว่นตานิรภัยเสมอ อุปกรณ์นิรภัย เช่น หน้ากากกันฝุ่น รองเท้านิรภัยกันลื่น หมวกนิรภัย หรืออุปกรณ์ป้องกันเสียงดังสำหรับสภาพที่เหมาะสมจะช่วยลดอาการบาดเจ็บส่วนบุคคล
- ค. หลีกเลี่ยงการเผลอเปิดเครื่องโดยไม่ได้ตั้งใจ สวิตช์ต้องอยู่ในตำแหน่งปิดก่อนเสียบปลั๊ก การยกเครื่องมือไฟฟ้าในขณะที่นิ้วอยู่ที่สวิตช์ หรือเสียบปลั๊กเครื่องมือไฟฟ้าในขณะที่เปิดสวิตช์อยู่ อาจทำให้เกิดอุบัติเหตุได้
- ง. ถอดกุญแจปรับแต่งหรือประแจออกก่อนเปิดสวิตช์เครื่องมือไฟฟ้า ประแจหรือกุญแจที่เสียบคาไว้กับชิ้นส่วนที่กำลังหมุนของเครื่องมือไฟฟ้าอาจทำให้ได้รับบาดเจ็บได้
- จ. ห้ามเชยขณะใช้เครื่อง ยืนในท่าที่เหมาะสมและสมดุลตลอดเวลา เพื่อช่วยในการควบคุมเครื่องมือไฟฟ้าได้ดียิ่งขึ้นในสถานการณ์ที่ไม่คาดคิด
- ฉ. แต่งกายให้เหมาะสม ห้ามสวมเสื้อผ้าหลวมหรือใส่

เครื่องประดับ รวบผม ชายเสื้อ และถุงมือให้ห่างจากชิ้นส่วนที่กำลังหมุน เสื้อผ้าที่หลดหลวม เครื่องประดับหรือผมที่ยาวอาจเข้าไปพันกับชิ้นส่วนที่กำลังหมุน

- ข. หากมีอุปกรณ์สำหรับเก็บฝุ่นและรวบรวมเศษไม้ ต้องเชื่อมต่ออุปกรณ์เหล่านั้นและนำมาใช้งานอย่างเหมาะสม การใช้อุปกรณ์เหล่านี้จะช่วยลดอันตรายที่เกี่ยวข้องกับฝุ่นได้

4. การใช้และการดูแลรักษาเครื่องมือไฟฟ้า

- ก. ห้ามเดินใช้เครื่องมือไฟฟ้า เลือกใช้เครื่องมือไฟฟ้าที่ถูกต้องตรงกับลักษณะการใช้งานของคุณ เครื่องมือไฟฟ้าที่ถูกต้องย่อมทำงานได้ดีกว่าและปลอดภัยกว่าในอัตราที่เครื่องมือได้รับการออกแบบมา
- ข. ห้ามใช้เครื่องมือไฟฟ้าถ้าสวิทช์เปิดปิดเครื่องไม่ทำงาน เครื่องมือไฟฟ้าที่ไม่สามารถควบคุมผ่านสวิทช์ได้ มีอันตรายและต้องส่งซ่อม
- ค. ถอดปลั๊กของเครื่องมือไฟฟ้าออกจากแหล่งจ่ายไฟและ/หรือ เบตเตอร์ก่อนทำการปรับแต่ง เปลี่ยนอุปกรณ์เสริม หรือจัดเก็บ มาตรการเพื่อความปลอดภัยเชิงการป้องกันนี้จะช่วยลดความเสี่ยงในการเปลอสตาร์ทเครื่องโดยไม่ได้ตั้งใจ
- ง. เก็บเครื่องมือไฟฟ้าที่พร้อมใช้งานไว้ให้พ้นมือเด็ก และไม่อนุญาตให้บุคคลที่ไม่คุ้นเคยกับเครื่องมือไฟฟ้าหรือคำแนะนำเหล่านี้เป็นผู้ใช้เครื่องมือ
- จ. เก็บเครื่องมือไฟฟ้าที่พร้อมใช้งานไว้ให้พ้นมือเด็ก และไม่อนุญาตให้บุคคลที่ไม่คุ้นเคยกับเครื่องมือไฟฟ้าหรือคำแนะนำเหล่านี้เป็นผู้ใช้เครื่องมือ เครื่องมือไฟฟ้าจะเป็นอันตรายหากอยู่ในมือผู้ใช้ที่ไม่มีความชำนาญ
- ฉ. บำรุงรักษาเครื่องมือไฟฟ้า ตรวจสอบการวางตำแหน่งหรือการต่อชิ้นส่วนที่เคลื่อนที่ จุดเชื่อมต่อชิ้นส่วนและสภาพอื่น ๆ ที่อาจส่งผลกระทบต่อการทำงานของเครื่องมือไฟฟ้า หากชำรุดเสียหาย ให้ส่งซ่อมก่อนนำมาใช้ อุบัติเหตุมากมายเกิดจากเครื่องมือไฟฟ้าที่มีระบบการดูแลรักษาไม่ดีพอ
- ช. ใช้เครื่องมือไฟฟ้า อุปกรณ์เสริมและชุดอุปกรณ์ต่างๆ ให้สอดคล้องกับคำแนะนำเหล่านี้ โดยพิจารณาถึงสภาพการทำงานและงานที่ท่าเป็นสำคัญ ใช้เครื่องมือไฟฟ้าทำงานอื่นนอกเหนือจากที่กำหนดไว้อาจทำให้เกิดอันตรายได้

5. การบริการ

- ก. ให้ช่างซ่อมที่มีความชำนาญเป็นผู้ซ่อมเครื่องมือและใช้อะไหล่ที่แท้เท่านั้น ซึ่งจะช่วยรับประกันได้ว่าเครื่องมือไฟฟ้ายังมีความปลอดภัยอยู่

คำแนะนำด้านความปลอดภัยเพิ่มเติมสำหรับเครื่องตัดกระเบื้อง/หินอ่อน



ข้อควรระวัง: จับเครื่องมือที่พื้นผิวส่วนที่ใช้จับ ซึ่งมีฉนวนป้องกันเท่านั้นเมื่อทำงานในบริเวณที่เครื่องตัดอาจสัมผัสกับสายไฟที่ซ่อนอยู่หรือสายไฟของตัวเครื่องเอง การสัมผัสกับสายไฟ “ที่มีไฟฟ้า” อาจทำให้ส่วนที่เป็นโลหะของเครื่องมือที่ถูกสัมผัส “มีไฟฟ้า” และช็อตผู้ใช้เครื่องได้

- วางมือให้อยู่ห่างจากบริเวณที่ทำการตัด และใบตัดเพชร ใช้มือด้านหนึ่งจับตามจับด้านข้างไว้ตลอดเวลา ถ้าคุณจับเครื่องมือโดยใช้มือทั้งสองข้าง มือของคุณจะไม่ได้รับบาดเจ็บจากใบตัด
- ห้ามสัมผัสด้านล่างของชิ้นงานเนื่องจากแผ่นป้องกันไม่สามารถป้องกันส่วนของใบตัดที่อยู่ใต้ชิ้นงานได้
- ใช้ใบตัดเพชรที่มีขนาดพอดีและมีรูปทรงกลม (รูปเพชรหรือวงกลม) ตามจับยึดและใบตัดที่มีขนาดไม่พอดีจะทำให้การทำงานเบี่ยงออกจากการควบคุม
- ห้ามใช้แหวนรอง หรือโบลท์ที่ชำรุด หรือมีขนาดไม่พอดีมีฉนวนนั้นแล้วคุณจะถูกเสียบการควบคุมในการทำงาน
- ห้ามใช้ใบเจียรใดๆ
- ห้ามใช้ใบตัดเพชรใดๆ ที่ไม่เป็นไปตามข้อกำหนดของบริษัทผู้ผลิต
- ห้ามใช้ใบตัดใดๆ ที่ชำรุด ผิดรูป หรือแตก
- ห้ามใช้งานเครื่องมือโดยที่ไม่มีการติดตั้งแผ่นป้องกัน
- ห้ามเปิดสวิทช์เครื่องมือในขณะที่ใบตัดสัมผัสอยู่กับชิ้นงาน
- เมื่อปิดสวิทช์เครื่องมือ ห้ามวางเครื่องมือลงจนกว่าใบตัดจะหยุดหมุนจนสนิทแล้วเท่านั้น และห้ามใช้สิ่งใดๆ เพื่อหยุดการหมุนของใบตัด
- ถอดปลั๊กออกจากแหล่งจ่ายไฟ และใบตัดเพชรจะต้องไม่หมุนเมื่อทำการเปลี่ยนใบตัด ทำการปรับความลึกการตัด หรือท่อน้ำ หรือทำการซ่อมเครื่องมือ
- จับเครื่องมือเฉพาะที่พื้นผิวสัมผัสที่ใช้จับซึ่งมีฉนวนป้องกันเท่านั้นในกรณีที่ใบตัดเพชรอาจตัดผ่านสายไฟที่ซ่อนอยู่ หรือสายไฟของตัวเครื่องเอง ถ้าใบตัดเพชรสัมผัสกับสายไฟที่มีไฟฟ้าไหลผ่าน “ชิ้นส่วนโลหะของเครื่องมือที่ถูกสัมผัสอาจได้รับกระแสไฟฟ้าและช็อตผู้ปฏิบัติงานได้
- ใช้ความระมัดระวังเป็นพิเศษเมื่อ “ตัดผ่าน” ผงมันต์หรือบริเวณที่บิ่นๆ เนื่องจากใบตัดเพชรอาจตัดท่อแก๊ส หรือท่อน้ำ สายไฟ หรือวัตถุรองรับการลั่น

สะท้อนต่างๆ

สัญลักษณ์

ฉลากบนเครื่องมือมีสัญลักษณ์ดังต่อไปนี้

V	โวลต์
A	แอมแปร์
Hz	เฮิรตซ์
W	วัตต์
Min	นาที
~	ไฟกระแสสลับ
==	ไฟกระแสตรง
n0	ความเร็วขณะไม่มีภาระโหลด
⊠	โครงสร้าง คลาส II
⚠	สัญลักษณ์เตือนด้านความปลอดภัย
.../min	จำนวนรอบ หรือความเร็วการตัดต่อนาที

ฉนวนสองชั้น



เครื่องมือนี้มีการหุ้มฉนวนสองชั้น ซึ่งหมายความว่า ชิ้นส่วนที่เป็นโลหะด้านนอกได้รับการหุ้มฉนวนไฟฟ้าจากแหล่งจ่ายไฟหลัก โดยการติดตั้งแผ่นหุ้มฉนวนระหว่างชิ้นส่วนไฟฟ้าและชิ้นส่วนทางกล เพราะฉะนั้นจึงไม่จำเป็นต้องต่อสายดินให้กับเครื่องมือ

หมายเหตุ: ฉนวนสองชั้นไม่ได้ทำหน้าที่แทนข้อควรระวังด้านความปลอดภัยทั่วไปเมื่อใช้งานเครื่องมือนี้ ระบบฉนวนสองชั้นนี้คือการป้องกันเพิ่มเติมเพื่อให้ได้รับบาดเจ็บจากการทำงานผิดปกติของฉนวนทางไฟฟ้าภายในเครื่องมือที่อาจเป็นไปได้เท่านั้น

ความปลอดภัยทางไฟฟ้า

มอเตอร์ไฟฟ้าออกแบบมาเพื่อใช้กับแรงดันไฟฟ้าขนาดเดียวกันนั้น หมั่นตรวจสอบกำลังไฟเพื่อให้ตรงกับแรงดันไฟฟ้าบนแผ่นแสดงพิกัด

การใช้สายพ่วง

ไม่ควรใช้สายพ่วงเว้นแต่จำเป็นจริงๆ การใช้สายพ่วงที่ไม่ถูกต้องสามารถก่อให้เกิดความเสี่ยงต่อไฟไหม้ และไฟฟ้าช็อตได้ ถ้าต้องใช้สายพ่วง ให้ใช้สายพ่วงที่ได้รับการรับรองให้ใช้จากการไฟฟ้านครหลวงเท่านั้น สายพ่วงต้องอยู่ในสภาพปกติก่อนนำมาใช้งาน ใช้สายไฟที่เหมาะสมสำหรับกำลังไฟเข้าของเครื่องมือของคุณเสมอ (กรุณาดูที่ ข้อมูลทางเทคนิคบนป้ายประจำเครื่อง) ขนาดต่ำสุดของลีสื่อำไฟฟ้าคือ 1 ตร.มม. ความยาวสูงสุดคือ 30 ม. เมื่อใช้ชุดอุปกรณ์จัดเก็บสายไฟ ให้คลายสายไฟออกจนหมดก่อน

คุณสมบัติ (ภาพ A)

1. สวิตช์เปิด/ปิด
2. ปุ่มล๊อค
3. ก้านปรับความลึกการตัด
- 4.ฐานรองตัด
5. ฟาครอบแปรง
6. ประแจชอคเก็ต
7. ประแจ



การประกอบและการปรับ

ก่อนทำการประกอบและการปรับให้ถอดปลั๊กเครื่องมือออกก่อนเสมอ

การติดตั้งและการถอดใบตัดเพชร (ภาพ C)

การติดตั้ง

- ใส่ใบตัดเพชร (9) เข้าในแกนหมุน
- จับยึดหน้าแปลนเกลียวนอกโดยใช้ประแจ (7) และ หมุนประแจชอคเก็ต (6) ทวนเข็มนาฬิกา



ขันโบลท์แคลมป์ยึดให้แน่น



ใช้ใบตัดเพชรที่มีขนาดรูที่ถูกต้องตามที่แนะนำให้ใช้

การถอด

- ปฏิบัติตามขั้นตอนด้านบนโดยย้อนลำดับการทำงาน

การปรับความลึกการตัด (ภาพ D)

- การเพิ่มหรือลดความลึกการตัด ให้คลายก้านปรับความลึกการตัด (3) แล้วดึงลง
- สำหรับความลึกการตัดต่ำสุด ให้เลื่อนน็อตทางปลาไปยังสัญลักษณ์ “-”
- การเพิ่มความลึกการตัด ให้เลื่อนก้านปรับขึ้นด้านบนโดยเลื่อนออกจากฐานรองตัด
- เมื่อปรับได้ความลึกการตัดที่ต้องการแล้ว ให้ยึดฐานโดยการขันก้านปรับให้แน่น
- สามารถปรับก้านปรับความลึกการตัดไปยังตำแหน่งที่ต้องการที่เหมาะสมกับปฏิบัติการได้ตลอดเวลา

วิธีการใช้เครื่อง



ทำตามคำแนะนำด้านความปลอดภัยและข้อกำหนดที่ให้เสมอ



ต้องยึดก้านปรับความลึกการตัด (3) ให้แน่นก่อนใช้งานเครื่อง

การเปิดปิดเครื่อง (ภาพ E)

- ในการเปิดสวิตช์เครื่องมือ ให้กดสวิตช์เปิด/ปิด (1)
- ในการปิดสวิตช์เครื่องมือ ให้ปล่อยสวิตช์เปิด/ปิด เครื่องมือนี้จะมีคุณสมบัติการล๊อค
- การสั่งงานการล๊อค ให้กดสวิตช์เปิด/ปิด แล้วกดปุ่มล๊อค (2)
- การยกเลิกการทำงาน ให้กดสวิตช์เปิด/ปิดอีกครั้ง ปิดสวิตช์เครื่องมือทุกครั้งเมื่อทำงานเสร็จแล้วและก่อนดึงปลั๊กออก

การตัด (ภาพ E)

- ปรับมุมด้านหน้าของฐานรองตัดให้ตรงกับแนวตัดบนชิ้นงาน จับเครื่องมือให้แน่น
- ปรับตั้งฐานรองตัดเข้ากับชิ้นงานที่จะทำการตัดโดยที่ใบตัดไม่สัมผัสกับชิ้นงาน
- เปิดสวิตช์เครื่องมือและรอกจนกว่าใบตัดได้ความเร็วสูงสุด
- เลื่อนเครื่องมือไปยังพื้นผิวของชิ้นงาน เลื่อนเครื่องมือตัดผ่านชิ้นงานอย่างนุ่มนวลจนกว่าจะทำการตัดเสร็จเรียบร้อย
- รักษาแนวการตัดให้ตรงเสมอ
- เครื่องมือนี้ควรนำมาใช้กับพื้นผิวในแนวนอนเท่านั้น
- เลื่อนเครื่องมือไปข้างหน้าอย่างช้าๆ ในแนวตรง การดัน หรือการกดเครื่องมือมากเกินไป หรือการปล่อยให้ใบตัดคดงอ ดัดหรือเกยยึดอยู่ในชิ้นงาน อาจทำให้มอเตอร์มีความร้อนสูงเกิน และอาจทำให้เครื่องมือตกลบอย่างรวดเร็วซึ่งก่อให้เกิดอันตรายได้
- เมื่อตัดชิ้นงานที่มีความลึกเกิน 20 มม. ให้ทำการตัด 2 หรือ 3 ครั้งแยกกันเพื่อป้องกันไม่ให้อุปกรณ์ทำงานผิดปกติ

การบำรุงรักษา

เครื่องมือไฟฟ้า Stanley ออกแบบมาเพื่อให้สามารถใช้งานได้ยาวนานต่อเนื่องด้วยการบำรุงรักษาที่น้อยที่สุด การทำงานที่สร้างความพึงพอใจอย่างต่อเนื่องจะขึ้นอยู่กับ การดูแลรักษาที่เหมาะสมและการทำความสะอาดอย่างสม่ำเสมอ

แปรงคาร์บอน (ภาพ F)

- ถอดแปรงคาร์บอนออก และตรวจเช็คเป็นประจำ เปลี่ยนแปรงคาร์บอนเมื่อแปรงลิกอยู่ที่ระดับประมาณ 6 มม. หรือน้อยกว่าระดับดังกล่าวเล็กน้อย
- แปรงคาร์บอนต้องสะอาดอยู่เสมอเพื่อให้สามารถเคลื่อนที่ได้อย่างอิสระในตำแหน่งจับยึด แปรงคาร์บอนทั้งสองควรเปลี่ยนพร้อมกัน

- ใช้เฉพาะแปรงคาร์บอนของ Stanley เท่านั้น ใช้ไขควงถอดฝาครอบแปรง (5)
- ดึงแปรงที่ลิกออก แล้วใส่แปรงอันใหม่เข้าไปแทน จากนั้นให้ยึดฝาครอบแปรงให้แน่น

การทำความสะอาด



คำเตือน: ถอดปลั๊กเครื่องมือออกก่อนใช้ผ้าเช็ดทำความสะอาดตัวเครื่อง ขณะที่มอเตอร์ทำงาน ให้ใช้เครื่องเป่าลมแห้งเป่าสิ่งสกปรกและ ฝุ่นออกจากช่องระบายความร้อนทั้งหมดอย่างน้อยสัปดาห์ละครั้ง ควรสวมแว่นตานิรภัยเมื่อทำงานนี้ อาจใช้ผ้าเปียกหมาดและน้ำยาทำความสะอาดที่มีฤทธิ์อ่อนเช็ดทำความสะอาดชิ้นส่วนพลาสติกด้านนอก ห้ามใช้สารละลายโซลเว้นท์ถึงแม้ว่าชิ้นส่วนเหล่านี้จะสามารถทนต่อสารละลายโซลเว้นท์ได้เป็นอย่างดีก็ตาม

ภาษาไทย

การดูแลรักษาเครื่องมือ

หลีกเลี่ยงการใช้งานเครื่องมือหนักเกินไป การใช้งานหนักเกินไปจะส่งผลให้ ความเร็วในการตัดและประสิทธิภาพในการทำงานของเครื่องลดลง ตลอดจนทำให้เครื่องร้อน ในกรณีนี้ ให้ปล่อยให้เครื่องเย็นตัวทำงานโดยไม่มีภาระโหลดเป็นเวลาหนึ่งหรือสองนาที่จนกว่าเครื่องจะเย็นลงไปที่อุณหภูมิการทำงานปกติที่กำหนดไว้ในพดลคม การเปิดและปิดเครื่องในขณะที่เครื่องมือมีภาระโหลดจะทำให้อายุการใช้งานของสวิตช์ลดลง

ข้อสำคัญ

เพื่อให้มั่นใจว่าผลลัพธ์ที่มีความปลอดภัย และเชื่อถือได้ ควรให้ศูนย์บริการที่ได้รับการรับรอง หรือองค์กรที่มีความชำนาญทำการซ่อม บำรุงรักษา และทำการปรับ (นอกเหนือจากที่ระบุไว้ในคู่มือฉบับนี้) ให้ และใช้อะไหล่ที่แท้เท่านั้น ชุดอุปกรณ์ไม่มีชิ้นส่วนที่ผู้ใช้สามารถซ่อมเองได้อยู่ภายใน

อุปกรณ์เสริม

ประสิทธิภาพของเครื่องมือไฟฟ้าจะขึ้นอยู่กับอุปกรณ์เสริมที่ใช้ อุปกรณ์เสริมของ Stanley ได้รับการออกแบบทางวิศวกรรมที่มีมาตรฐานคุณภาพสูง และได้รับการออกแบบขึ้นมาเพื่อปรับปรุงประสิทธิภาพของเครื่องมือไฟฟ้า Stanley มีอุปกรณ์เสริมให้เลือกมากมายที่ตัวแทนจำหน่ายภายในท้องถิ่น หรือศูนย์บริการที่ได้รับ การรับรองของเราด้วยราคาที่พิเศษ

หมายเหตุ: ใช้อุปกรณ์เสริมที่มีกำลังอย่างน้อยเท่ากับความเร็วสูงสุดที่ระบุไว้บนเครื่องมือเท่านั้น

 **ข้อควรระวัง:** การใช้อุปกรณ์เสริมอื่นๆ ที่ไม่ได้แนะนำให้ใช้กับเครื่องมือนี้อาจก่อให้เกิดอันตรายได้

 **ห้ามใช้ใบเจียรกับเครื่องมือนี้**

 **ห้ามใช้ใบตัดไม้กับเครื่องมือนี้**

การป้องกันสิ่งแวดล้อม



ถ้าวันหนึ่งคุณพบว่าเครื่องมือของคุณจำเป็นต้องทำการเปลี่ยน หรือถ้าคุณไม่ใช้งานอีกต่อไป ให้คุณคิดถึงเรื่องการป้องกันสิ่งแวดล้อม

เป็นสิ่งสำคัญ Stanley ขอแนะนำให้คุณติดต่อสภาเทศบาลเพื่อขอรับข้อมูลในการกำจัดทิ้ง

ข้อมูลการบริการ

Stanley มีเครือข่ายของบริษัทแบบเต็มรูปแบบ และศูนย์บริการที่ได้รับการรับรองทั่วเอเชีย ศูนย์บริการ Stanley ทุกแห่งจะมีบุคลากรที่ได้รับการฝึกอบรมเพื่อให้บริการลูกค้าได้อย่างมีประสิทธิภาพ และให้บริการเครื่องมือไฟฟ้าที่เชื่อถือได้ ไม่ว่าคุณต้องการคำปรึกษาด้านเทคนิค การซ่อม หรืออะไหล่จากโรงงานที่เป็นอะไหล่แท้ กรุณาติดต่อศูนย์บริการ Stanley ที่อยู่ใกล้บ้านคุณ

หมายเหตุ

- นโยบายของ Stanley คือการพัฒนาปรับปรุงผลิตภัณฑ์ และบริการอื่นๆ อย่างต่อเนื่อง เราขอสงวนสิทธิ์ในการเปลี่ยนแปลงข้อกำหนดรายละเอียดของผลิตภัณฑ์โดยไม่แจ้งให้ทราบล่วงหน้า
- อุปกรณ์มาตรฐาน และอุปกรณ์เสริมอาจแตกต่างกันไปตามแต่ละประเทศ
- ข้อกำหนดรายละเอียดของผลิตภัณฑ์อาจแตกต่างกันไปตามแต่ละประเทศ
- กลุ่มผลิตภัณฑ์ที่สมบูรณ์อาจไม่มีในทุกประเทศ
- กรุณาติดต่อตัวแทนจำหน่ายของ Stanley ภายในท้องถิ่นของคุณเพื่อขอรับรายละเอียดเกี่ยวกับกลุ่มผลิตภัณฑ์ที่มีจำหน่าย

STEL785 Máy Cắt Gạch/Đá hoa cương 110mm

THÔNG SỐ KỸ THUẬT

THÔNG SỐ	STEL785	
CÔNG SUẤT	1.200	W
TỐC ĐỘ KHÔNG TẢI	14500	vòng/phút
ĐƯỜNG KÍNH ĐĨA CẮT	110	mm
ĐỘ SÂU CẮT TỐI ĐA	34	mm
TRỌNG LƯỢNG	2,69	kg
ĐỘ DÀI DÂY ĐIỆN	2	m

MỤC ĐÍCH SỬ DỤNG

Máy cắt gạch Stanley được thiết kế để tiến hành công tác cắt.

CÁC QUY TẮC AN TOÀN CHUNG

Cảnh báo! Đọc mọi hướng dẫn. Nếu không tuân theo tất cả các hướng dẫn được liệt kê bên dưới có thể dẫn đến điện giật, cháy và/hoặc chấn thương nghiêm trọng. Thuật ngữ “dụng cụ điện cầm tay” trong phần cảnh báo chỉ dụng cụ chạy bằng điện nguồn (có dây điện) hoặc dụng cụ chạy bằng pin (không có dây điện).

LƯU LẠI NHỮNG HƯỚNG DẪN NÀY.

- Khu vực làm việc**
 - Khu vực làm việc phải sạch sẽ và đủ ánh sáng.** Những nơi bừa bộn và thiếu ánh sáng dễ gây tai nạn.
 - Không vận hành dụng cụ điện cầm tay trong các môi trường dễ cháy nổ, như các môi trường có chất lỏng, khí hoặc bụi dễ cháy.** Dụng cụ điện cầm tay tạo ra các tia lửa điện có thể gây cháy bụi hoặc bốc khói.
 - Không cho trẻ em và những người không liên quan lại gần khi đang vận hành dụng cụ điện cầm tay.** Những lúc xao lãng có thể khiến bạn mất kiểm soát.
- An toàn điện**
 - Phích cắm của dụng cụ điện cầm tay phải vừa với ổ cắm.** Không được sửa đổi phích cắm dưới bất kỳ hình thức nào. Không được sử dụng các phích cắm tiếp hợp với những dụng cụ điện cầm tay có nối đất. Phích cắm không sửa chữa và ổ cắm phù hợp sẽ giảm nguy cơ bị điện giật.
 - Tránh tiếp xúc với các bề mặt được nối đất như đường ống, lò sưởi, bếp nướng và tủ lạnh.** Nguy

- cơ bị điện giật sẽ cao hơn nếu cơ thể bạn nối đất.
- Không được để các dụng cụ điện cầm tay ngoài trời mưa hoặc ở nơi ẩm ướt.** Nước vào trong dụng cụ điện cầm tay sẽ làm tăng nguy cơ bị điện giật.
 - Không sử dụng dây điện vào các mục đích khác.** Tuyệt đối không sử dụng dây điện để mang, kéo hoặc rút phích cắm dụng cụ điện cầm tay. Để dây điện cách xa nguồn nhiệt, dầu mỡ, các cạnh sắc hoặc các bộ phận chuyển động. Dây điện bị hỏng hoặc bị vướng sẽ làm tăng nguy cơ bị điện giật.
 - Khi vận hành dụng cụ điện cầm tay ngoài trời, hãy sử dụng dây nối dài phù hợp để sử dụng ngoài trời.** Sử dụng dây điện phù hợp để sử dụng ngoài trời sẽ giảm nguy cơ bị điện giật.
 - Nếu bắt buộc phải vận hành dụng cụ điện cầm tay ở nơi ẩm ướt, hãy sử dụng nguồn được bảo vệ bởi thiết bị ngắt mạch tự động (RCD).** Sử dụng RCD giảm nguy cơ bị điện giật

3. An toàn cá nhân

- Hãy tập trung, chú ý vào những gì bạn đang làm và tinh thần khi vận hành dụng cụ điện cầm tay. Không được sử dụng dụng cụ điện cầm tay khi bạn đang mệt hoặc uống rượu bia, sử dụng ma túy hoặc chất kích thích.** Một khoảnh khắc mất tập trung trong khi vận hành dụng cụ điện cầm tay có thể dẫn đến chấn thương cá nhân nghiêm trọng.
- Sử dụng thiết bị bảo hộ. Luôn đeo kính bảo hộ.** Thiết bị bảo hộ an toàn như mặt nạ chống bụi, giày chống trượt, mũ cứng, hoặc bảo vệ tai nếu được sử dụng ở những điều kiện phù hợp sẽ giảm các chấn thương cá nhân.
- Tránh vô tình khởi động máy. Đảm bảo rằng công tắc ở vị trí tắt trước khi cắm điện.** Việc mang dụng cụ điện cầm tay khi ngón tay đặt vào công tắc hoặc dụng cụ điện cầm tay đang cắm điện khi công tắc đang bật có thể gây tai nạn.
- Hãy tháo hết khóa điều chỉnh hoặc cờ lê trước khi bật dụng cụ điện cầm tay.** Cờ lê hoặc khóa vẫn để ở bộ phận quay của dụng cụ điện cầm tay có thể dẫn đến chấn thương cá nhân.
- Không được vớ tay. Hãy đứng ở tư thế thích hợp và luôn giữ thăng bằng.** Điều đó giúp kiểm soát dụng cụ điện cầm tay tốt hơn ở các tình huống không lường trước.
- Mặc quần áo phù hợp. Không mặc quần áo rộng hoặc đeo đồ trang sức.** Giữ cho tóc, quần áo và gang tay tránh xa khỏi các bộ phận chuyển động. Quần áo rộng, đồ trang sức hoặc tóc dài có thể bị mắc vào các bộ phận chuyển động.
- Nếu các dụng cụ được cung cấp để nối các phương tiện hút hoặc gom bụi, hãy đảm bảo**

những dụng cụ này được nối và sử dụng đúng cách. Sử dụng các dụng cụ này có thể giảm các nguy cơ liên quan đến bụi.

4. Sử dụng và bảo quản dụng cụ điện cầm tay
- a. Sử dụng dụng cụ điện cầm tay phù hợp. Sử dụng dụng cụ điện cầm tay phù hợp với mục đích của bạn. Dụng cụ điện cầm tay phù hợp sẽ giúp cho công việc tốt hơn và an toàn hơn theo đúng tốc độ được thiết kế.
- b. Không sử dụng dụng cụ điện cầm tay nếu công tắc không bật và tắt được. Những dụng cụ điện cầm tay không điều khiển được bằng công tắc đều rất nguy hiểm và cần phải được sửa chữa.
- c. Rút phích cắm dụng cụ điện cầm tay khỏi nguồn điện và/hoặc pin trước khi thực hiện điều chỉnh, thay phụ kiện hoặc cất giữ dụng cụ. Những biện pháp an toàn này giúp hạn chế nguy cơ dụng cụ điện cầm tay khởi động bất ngờ
- d. Bảo quản các dụng cụ điện cầm tay không sử dụng tránh xa tầm tay trẻ em và không cho phép những người không quen với dụng cụ điện cầm tay hoặc những hướng dẫn này để bất ngờ khởi động dụng cụ điện cầm tay.
- d. Bảo quản các dụng cụ điện cầm tay không sử dụng tránh xa tầm tay trẻ em và không cho phép những người không quen với dụng cụ điện cầm tay hoặc những hướng dẫn này vận hành dụng cụ điện cầm tay. Dụng cụ điện cầm tay sẽ rất nguy hiểm khi được sử dụng bởi những người chưa được huấn luyện.
- e. Bảo trì dụng cụ điện cầm tay. Kiểm tra các bộ phận di chuyển xem có bị lắp lệch hoặc kẹt không, các bộ phận có bị vỡ không và bất kỳ tình trạng nào khác có thể ảnh hưởng đến việc vận hành dụng cụ điện cầm tay. Nếu dụng cụ điện cầm tay bị hỏng, hãy sửa chữa trước khi sử dụng. Rất nhiều tai nạn là do các dụng cụ điện cầm tay được bảo trì kém.
- f. Sử dụng dụng cụ điện cầm tay, các phụ kiện và mũ khoan... theo các chỉ dẫn này, để ý đến các điều kiện làm việc và công việc cần thực hiện. Việc sử dụng dụng cụ điện cầm tay cho các mục đích khác có thể dẫn đến tình huống nguy hiểm.
5. Bảo dưỡng
- a. Hãy mang dụng cụ điện cầm tay đi bảo dưỡng bởi nhân viên bảo dưỡng có chuyên môn, chỉ sử dụng các phụ kiện thay thế chính hãng. Điều này giúp duy trì mức độ an toàn của dụng cụ điện cầm tay.


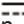


Hướng dẫn An toàn bổ sung cho Máy cắt Gạch/Đá hoa cương

⚠ CẢNH BÁO: Chỉ cầm dụng cụ điện cầm tay ở phần bề mặt tay cầm cách điện khi thực hiện thao tác mà dụng cụ cắt có thể tiếp xúc với hệ thống dây điện chìm hoặc dây điện của chính dụng cụ. Tiếp xúc với dây điện "có điện" có thể làm cho các bộ phận kim loại hở của dụng cụ điện cầm tay trở thành "có điện" và gây giật điện cho người vận hành.

1. Luôn để tay xa vùng cắt và đĩa cắt kim cương. Luôn để tay còn lại trên tay cầm. Nếu giữ dụng cụ bằng hai tay, tay bạn sẽ không bị chấn thương do đĩa cắt.
2. Không được để tay dưới vật liệu cắt do tấm bảo vệ không thể chắn phần lưỡi cắt nằm dưới vật liệu.
3. Luôn sử dụng đĩa cắt kim cương với kích cỡ và tâm chuẩn (hình kim cương hoặc hình tròn). Đĩa và đầu giữ đĩa không khớp sẽ dẫn đến lệch tâm và mất kiểm soát.
4. Không được dùng long đèn hoặc bu lông bị hư hỏng hoặc không vừa cỡ nếu không bạn sẽ không điều khiển được việc vận hành.
5. Không được dùng bất cứ đĩa mài nào.
6. Không dùng đĩa cắt kim cương không đúng với quy định của nhà sản xuất.
7. Không được dùng đĩa cắt đã bị hư hại, mòn hoặc nứt vỡ.
8. Không được vận hành dụng cụ mà không gắn dụng cụ bảo vệ.
9. Không được khởi động dụng cụ với đĩa cắt chạm vào vật liệu.
10. Khi tắt dụng cụ, không được hạ dụng cụ xuống cho đến khi đĩa cắt dừng hoàn toàn, không được dùng bất kì lực nào từ bên ngoài để dừng đĩa.
11. Ngắt kết nối từ nguồn điện và chắc chắn rằng đĩa cắt kim cương dừng hoàn toàn khi thay đĩa, điều chỉnh độ sâu cắt hoặc ống nước hoặc sửa chữa dụng cụ.
12. Chỉ cầm vào bề mặt cách điện của máy khi đĩa cắt kim cương có thể sẽ cắt qua những dây dẫn điện ngầm hoặc dây điện của chính nó. Nếu đĩa cắt kim cương chạm vào dây "có điện", những phần kim loại hở của dụng cụ có thể có điện và giật người vận hành.
13. Đặc biệt chú ý khi "cắt khuất" qua tường hoặc những vùng khuất khác do đĩa cắt có thể cắt qua ống dẫn ga hoặc nước, dây điện hoặc các vật đàn hồi khác.

Kí hiệu

Nhãn hiệu trên dụng cụ của bạn có thể có những kí hiệu sau:

V	Vôn
A	Ampe
Hz	Héc
W	Watt
Min	phút
	Dòng xoay chiều
	Dòng một chiều
n_1	Tốc độ không tải
	Cấu tạo cách điện kép
	Ký hiệu cảnh báo an toàn
.../min	Số vòng quay hoặc số lần qua lại trong một phút

Cách điện kép

Dụng cụ được cách điện kép. Điều này có nghĩa là tất cả những phần kim loại hở được cách điện khỏi nguồn cấp điện chính. Việc này được thực hiện bằng cách bọc lớp vật liệu cách điện trên thành phần điện và cơ để không cần phải nối đất dụng cụ.

LƯU Ý: Việc cách điện kép không thay thế được các phương án bảo đảm an toàn thông thường khi vận hành dụng cụ. Hệ thống cách điện để tăng cường sự bảo vệ người dùng khỏi những nguy cơ bị chấn thương do lỗi hệ thống điện bên trong dụng cụ.

An toàn điện

Động cơ điện được thiết kế để sử dụng tại một mức điện áp duy nhất. Luôn kiểm tra nguồn điện vào tương ứng với điện áp trên tấm định mức.

Sử dụng Dây điện Nối dài


Chỉ sử dụng dây điện nối dài khi thực sự cần thiết. Sử dụng dây điện nối dài không đúng chuẩn có thể dẫn đến hỏa hoạn hoặc giật điện. Nếu bắt buộc phải sử dụng dây điện nối dài, chỉ sử dụng các loại dây điện được cơ quan có thẩm quyền về điện lực tại nước sở tại cấp phép. Đảm bảo dây điện nối dài ở tình trạng còn tốt trước khi sử dụng. Luôn sử dụng dây điện phù hợp với công suất đầu vào của dụng cụ (xem phần thông số kỹ thuật trên biển thông số). Kích cỡ tối thiểu cho phần dẫn điện là 1mm²; chiều dài tối đa là 30m. Khi sử dụng dây điện cuộn, luôn duỗi thẳng dây điện hoàn toàn.

Đặc điểm (Hình A)

1. Công tắc bật/tắt
2. Núm khóa công tắc
3. Chốt điều chỉnh độ sâu cắt
4. Bộ máy


5. Nắp chén (đĩa) đánh sét
6. Chia khóa nắp ống
7. Cờ lê


Lắp ráp và Điều chỉnh

 Trước khi lắp đặt hay điều chỉnh, luôn luôn tháo nguồn dụng cụ.

Lắp & Gỡ đĩa cắt kim cương (Hình C) Lắp

- Lắp đĩa cắt kim cương (9) vào trục.
- Vận bên ngoài bản đĩa bằng cờ lê (7) và xoay chia khóa đầu ống (6) ngược chiều kim đồng hồ.

 Chắc chắn đã vận chặt bu lông kẹp.

 Chỉ sử dụng đĩa cắt kim cương được khuyến cáo với kích cỡ lỗ chuẩn.


Tháo


- Làm theo các bước trên với thứ tự ngược lại.

Điều Chỉnh Độ Sâu Cắt (Hình D)

- Để tăng hoặc giảm độ sâu vết cắt, nơi lòng bằng các kéo chốt điều chỉnh độ sâu cắt (3) xuống.
- Lấy độ sâu cắt tối thiểu bằng cách di chuyển/trượt đai ốc cánh về phía dấu "-".
- Để tăng độ sâu cắt, di chuyển chốt điều chỉnh lên phía trước, xa khỏi bệ.
- Tại độ sâu cắt mong muốn, cố định bệ bằng cách vận chặt chốt điều chỉnh.
- Tại bất kì thời điểm nào, núm điều chỉnh độ sâu cắt có thể được điều chỉnh đến vị trí mong muốn của người sử dụng.

Hướng dẫn Sử dụng

 Luôn xem Kí hướng dẫn an toàn và quy tắc được áp dụng.

 Chắc chắn rằng cần điều chỉnh độ sâu (3) được vận chắc chắn trước khi vận hành dụng cụ.

Bật và tắt (Hình E)

- Để bật dụng cụ lên, ấn công tắc bật/tắt (1).
- Để tắt dụng cụ, nhả nút bật/tắt. Dụng cụ này có tính năng khóa công tắc.
- Để kích hoạt, ấn công tắc bật/tắt và sau đó là nút khóa công tắc (2).
- Để ngừng hoạt động, ấn công tắc bật/tắt một lần nữa. Luôn tắt dụng cụ khi kết thúc công việc và trước khi rút nguồn.

Cắt (Hình E)

- Căn cạnh trước của bộ máy với đường cắt trên vật liệu cần cắt. Giữ dụng cụ chắc chắn.
- Để bệ lên trên vật liệu cần cắt mà không làm chạm

đĩa cắt xuống vật liệu.

- Bật dụng cụ lên và đợi đến khi đĩa cắt đạt tốc độ tối đa.
- Di chuyển dụng cụ về phía trước bề mặt cắt, đẩy tịnh tiến đều tay đến khi cắt xong hoàn toàn.
- Giữ đường cắt thật thẳng.
- **Dụng cụ này chỉ dùng trên bề mặt ngang.**
- Chắc chắn di chuyển dụng cụ nhẹ nhàng về phía trước, theo đường thẳng. Ép mạnh hoặc dùng quá lực, hoặc bề cong đĩa cắt, kẹp hoặc xoắn vết cắt có thể dẫn đến quá nhiệt động cơ điện và dụng cụ có thể bị bật ngược gây nguy hiểm.
- **Khi cắt những vật liệu dày trên 20 mm, thực hiện 2 hoặc 3 đường cắt để tránh hư hỏng động cơ.**

Bảo trì

Dụng cụ điện cầm tay của Stanley được thiết kế để vận hành trong thời gian dài và ít phải bảo trì nhất. Dụng cụ vận hành liên tục theo ý muốn tùy thuộc vào việc bảo quản dụng cụ đúng cách và vệ sinh thường xuyên.

Chổi than động cơ. (Hình F)

- Tháo và kiểm tra chổi than thường xuyên. Thay thế khi chổi than mòn xuống dưới 6 mm.
- Giữ chổi than sạch và di chuyển tự do trong đầu giữ. Cả hai chổi than phải được thay thế cùng lúc.
- Chỉ sử dụng chổi than của Stanley. Dùng tuốc nơ vít để tháo nắp chổi.
- Giữ chổi bị mòn, chèn chổi mới và lắp chặt nắp chổi.

Vệ sinh

⚠ Cảnh báo: ngắt nguồn điện dụng cụ trước khi sử dụng giẻ để lau vỏ. Chạy động cơ để thổi bụi bẩn ra khỏi các ống thông khí bằng không khí khô ít nhất một lần mỗi tuần. Đeo kính bảo hộ khi làm việc này. Các bộ phận bằng nhựa bên ngoài có thể vệ sinh bằng khăn ẩm và thuốc tẩy rửa nhẹ. Mặc dù các bộ phận này có khả năng kháng dung môi cao, nhưng TUYỆT ĐỐI KHÔNG sử dụng các chất dung môi.

Bảo quản Dụng cụ

Tránh vận hành máy quá tải. Vận hành quá tải sẽ làm giảm đáng kể tốc độ và hiệu quả dụng cụ, đồng thời dụng cụ có thể bị nóng. Trong trường hợp này, chạy máy ở chế độ không tải trong một hoặc hai phút đến khi máy được làm mát đến nhiệt độ làm việc thông thường bằng quạt tích hợp. Bật và tắt máy khi đang chạy tải sẽ làm giảm đáng kể tuổi thọ công tắc.

Quan trọng

Để đảm bảo AN TOÀN và ĐỘ TIN CẬY, sửa chữa, bảo dưỡng và điều chỉnh (những thứ ngoài bản hướng dẫn này) phải được thực hiện bởi trung tâm dịch vụ được ủy

quyền hoặc các tổ chức được chứng nhận khác, luôn sử dụng những phụ kiện thay thế chính hãng. Người dùng không được tự ý bảo trì các bộ phận bên trong dụng cụ.

Các phụ kiện

Hiệu suất của bất kỳ dụng cụ điện cầm tay nào phụ thuộc vào phụ kiện được sử dụng. Phụ kiện của Stanley được chế tạo theo tiêu chuẩn chất lượng cao và được thiết kế nhằm tăng cường hiệu suất làm việc cho dụng cụ điện cầm tay. Stanley cung cấp các lựa chọn phụ kiện đa dạng tại những nhà bán lẻ sở tại hoặc những trung tâm dịch vụ ủy quyền với phụ phí.

Chú ý: chỉ sử dụng phụ kiện có định mức ít nhất bằng với tốc độ lớn nhất ghi trên dụng cụ.

⚠ CẢNH BÁO: Sử dụng bất kỳ phụ kiện không được khuyến cáo với dụng cụ này có thể dẫn đến nguy hiểm.

⚠ KHÔNG được lắp đĩa mài lên dụng cụ này.

⚠ KHÔNG được lắp đĩa cắt gỗ lên dụng cụ này.

Bảo vệ Môi trường



Nếu có một ngày bạn thấy rằng cần phải thay thế dụng cụ của mình, hoặc bạn không sử dụng nó trong tương lai nữa, hãy nghĩ đến việc bảo vệ môi trường. Stanley khuyến cáo bạn nên liên lạc với chính quyền địa phương để lấy thông tin về xử lý rác thải.

Thông tin Dịch vụ

Stanley có sẵn một mạng lưới các trung tâm trực thuộc và ủy quyền trên toàn Châu Á. Tất cả các trung tâm dịch vụ đều có đội ngũ nhân viên lành nghề để cung cấp tới khách hàng dịch vụ hiệu quả và đáng tin cậy. Khi cần tư vấn kỹ thuật, sửa chữa hoặc phụ kiện thay thế chính hãng, liên hệ với Stanley gần bạn nhất.

Lưu ý

- Chính sách của Stanley là không ngừng cải thiện sản phẩm và chúng tôi bảo lưu quyền thay đổi chi tiết kỹ thuật sản phẩm mà không báo trước.
- Các trang thiết bị chuẩn có thể khác nhau tùy theo từng nước.
- Thông số kỹ thuật của sản phẩm có thể khác nhau giữa các quốc gia.
- Danh mục sản phẩm hoàn chỉnh có thể không có mặt tại tất cả các quốc gia.
- Liên hệ với các đại lý của Stanley tại quốc gia bạn để được cung cấp danh mục sản phẩm.

