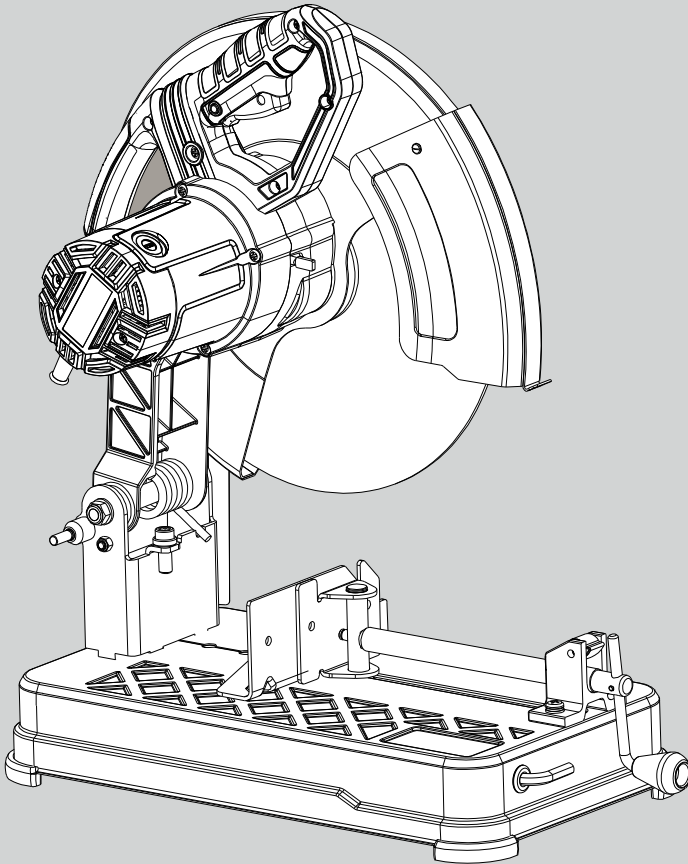


STANLEY

®



STEL701

ENGLISH
한국어

3
8

FIG.1

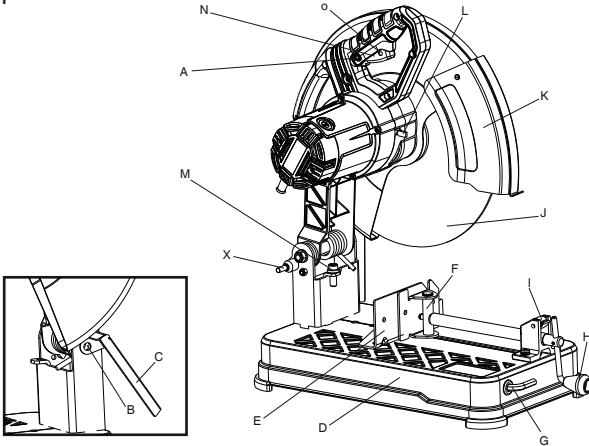


FIG.2

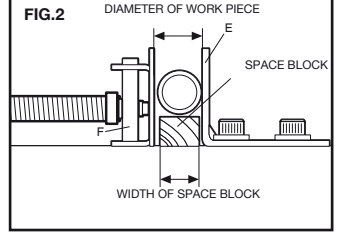


FIG.3

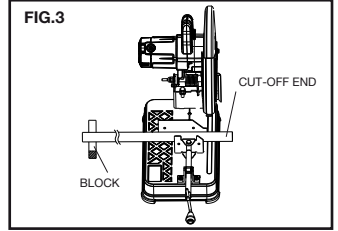


FIG.4

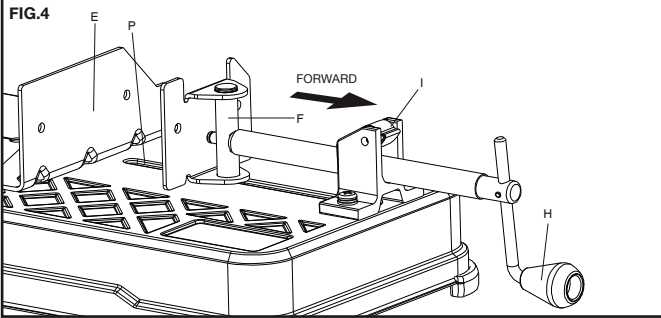


FIG.5

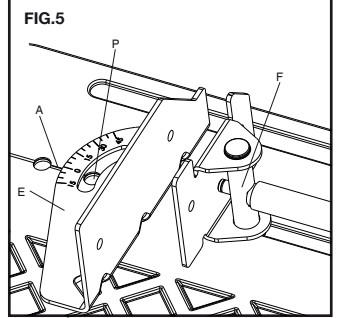


FIG.6

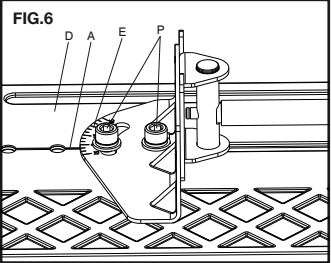


FIG.7

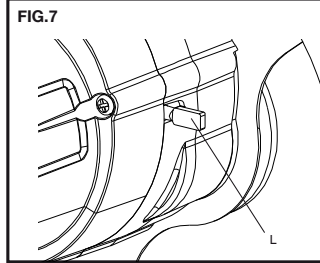


FIG.8

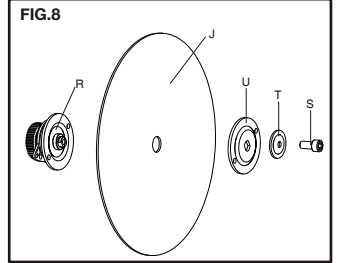
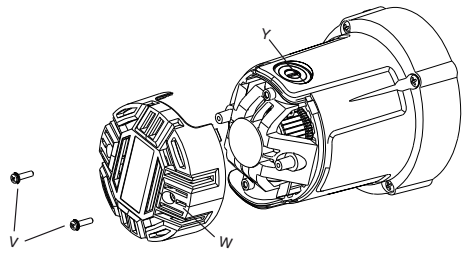
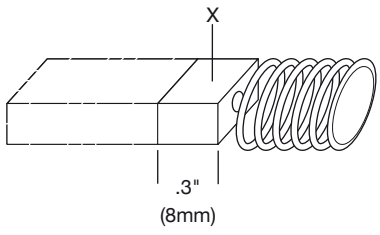


FIG.9



STEL701 2100W Chop Saw

TECHNICAL DATA

SPECIFICATION		STEL701
POWER	W	2100
NO-LOAD SPEED	/min	0-3800
MAX. DIAMETER	mm	355
Weight	kg	15.5

INTENDED USE

Your Stanley Chop saw has been designed for cutting & cleaning applications.

GENERAL SAFETY RULES

Warning! Read all instructions. Failure to follow all instructions listed below may result in electric shock, fire and/or serious injury. The term "power tool" in all of the warnings listed below refers to your mains operated (corded) power tool or battery operated (cordless) power tool. **SAVE THESE INSTRUCTIONS.**

1. Work area

- a. **Keep work area clean and well lit.** Cluttered and dark areas invite accidents.
- b. **Do not operate power tools in explosive atmospheres, such as in the presence of flammable liquids, gases or dust.** Power tools create sparks which may ignite the dust or fumes.
- c. **Keep children and bystanders away while operating a power tool.** Distractions can cause you to lose control.

2. Electrical safety

- a. **Power tool plugs must match the outlet. Never modify the plug in any way. Do not use any adapter plugs with earthed (grounded) power tools.** Unmodified plugs and matching outlets will reduce risk of electric shock.
- b. **Avoid body contact with earthed or grounded surfaces such as pipes, radiators, ranges and refrigerators.** There is an increased risk of electric shock if your body is earthed or grounded.
- c. **Do not expose power tools to rain or wet conditions.** Water entering a power tool will increase the risk of electric shock.
- d. **Do not abuse the cord. Never use the cord for carrying, pulling or unplugging the power tool. Keep cord away from heat, oil, sharp edges or moving parts.** Damaged or entangled cords increase the risk of electric shock.
- e. **When operating a power tool outdoors, use an extension cord suitable for outdoor use.** Use of a cord suitable for outdoor use reduces the risk of electric shock.

- f. **If operating a power tool in a damp location is unavoidable, use a residual current device (RCD) protected supply.** Use of an RCD reduces the risk of electric shock.

NOTE: The term "Residual Current Device (RCD)" can be replaced by "Ground Fault Circuit Interrupter (GFCI)" or by "Earth Leakage Circuit Breaker (ELCB)".

3. Personal safety

- a. **Stay alert, watch what you are doing and use common sense when operating a power tool. Do not use a power tool while you are tired or under the influence of drugs, alcohol or medication.** A moment of inattention while operating power tools may result in serious personal injury.
 - b. **Use safety equipment. Always wear eye protection.** Safety equipment such as dust mask, non-skid safety shoes, hard hat, or hearing protection used for appropriate conditions will reduce personal injuries.
 - c. **Avoid accidental starting. Ensure the switch is in the off position before plugging in.** Carrying power tools with your finger on the switch or plugging in power tools that have the switch on invites accidents.
 - d. **Remove any adjusting key or wrench before turning the power tool on.** A wrench or a key left attached to a rotating part of the power tool may result in personal injury.
 - e. **Do not overreach. Keep proper footing and balance at all times.** This enables better control of the power tool in unexpected situations.
 - f. **Dress properly. Do not wear loose clothing or jewellery. Keep your hair, clothing and gloves away from moving parts.** Loose clothes, jewellery or long hair can be caught in moving parts.
 - g. **If devices are provided for the connection of dust extraction and collection facilities, ensure these are connected and properly used.** Use of these devices can reduce dust related hazards.
- ### 4. Power tool use and care
- a. **Do not force the power tool. Use the correct power tool for your application.** The correct power tool will do the job better and safer at the rate for which it was designed.
 - b. **Do not use the power tool if the switch does not turn it on and off.** Any power tool that cannot be controlled with the switch is dangerous and must be repaired.
 - c. **Disconnect the plug from the power source and/or the battery pack from the power tool before making any adjustments, changing accessories, or storing power tools.** Such preventive safety measures reduce the risk of starting the power tool accidentally
 - d. **Store idle power tools out of the reach of children and do not allow persons unfamiliar with the power tool or these instructions to**

operate the power tool. Power tools are dangerous in the hands of untrained users.

- e. **Maintain power tools. Check for misalignment or binding of moving parts, breakage of parts and any other condition that may affect the power tools operation. If damaged, have the power tool repaired before use.** Many accidents are caused by poorly maintained power tools.
 - f. **Use the power tool, accessories and tool bits etc., in accordance with these instructions, taking into account the working conditions and the work to be performed.** Use of the power tool for operations different from those intended could result in a hazardous situation.
5. **Service**
- a. **Have your power tool serviced by a qualified repair person using only identical replacement parts.** This will ensure that the safety of the power tool is maintained.

ADDITIONAL SAFETY INSTRUCTION FOR CHOPSAWS


- **Always wear proper eye and respiratory protection.**
- **Before using, inspect the cutting wheel for cracks or flaws. If such a crack or flaw is evident, discard the wheel. The wheel should also be inspected whenever you think the tool may have been dropped.** Flaws may cause wheel breakage.
- **When starting the tool with a new or replacement wheel or if you are unsure of the condition of the wheel, hold the tool in a well protected area and let it run for one minute.** If the wheel has an undetected crack or flaw, it should burst in less than one minute. Never start the tool with a person in line with the wheel. This includes the operator.
- **In operation, avoid bouncing the wheel or giving it rough treatment.** If this occurs, stop the tool and inspect the wheel for cracks or flaws.
- Clean your chop saw periodically following the procedure in this manual.
- Do not remove wheel guards or base.
- **ALWAYS USE THE VISE OR SPECIAL FIXTURE TO CLAMP WORK SECURELY.** Other aids such as spring, bar, or C-clamps may be appropriate for certain sizes and shapes of workpiece. Use care in selecting and placing these clamps and make a dry run before making a cut.
- Use only 14" type 1 wheels rated at 4100 rpm or higher.
- Allow cut off parts to cool before handling.
- Do not attempt to cut wood or plastic with this tool.
- **NEVER CUT MAGNESIUM WITH THIS TOOL.**

- Use chop saw in a well-ventilated area.
- Turn chop saw off before removing any pieces from the base.
- **DO NOT CUT ELECTRICALLY LIVE MATERIAL.**
- **Do not use circular saw blades or any other toothed blades with this tool.** Serious injury may result.
- **DO NOT OPERATE THIS TOOL NEAR FLAMMABLE LIQUIDS, GASES OR DUST.** Sparks or hot chips from cutting or arcing motor brushes may ignite combustible materials.
- Do not use the side of the abrasive wheel as a deburring grinder. This will substantially weaken the wheel creating an unsafe condition. The wheel may come apart.

- ⚠ **CAUTION: Wear appropriate hearing protection during use.** Under some conditions and duration of use, noise from this product may contribute to hearing loss.
- ⚠ **CAUTION:** Spark deflector will get hot. Avoid touching or adjusting while hot. Keep cordset and materials away from spark deflector.
- **Avoid prolonged contact with dust from power sanding, sawing, grinding, drilling, and other construction activities. Wear protective clothing and wash exposed areas with soap and water.** Allowing dust to get into your mouth, eyes, or lay on the skin may promote absorption of harmful chemicals.
- ⚠ **WARNING:** Always use NIOSH/OSHA approved respiratory protection appropriate for the dust exposure. Direct particles away from face and body. For your convenience and safety, the following warnings are on your Heavy-Duty 14" (355mm) Chop Saw:
- ⚠ **FOR SAFE OPERATION READ THE INSTRUCTION MANUAL.**
- **DO NOT USE TOOTHED BLADES.**
- **USE ONLY REINFORCED WHEELS RATED 4100 RPM OR HIGHER.**
- **WHEN SERVICING USE ONLY IDENTICAL REPLACEMENT PARTS.**
- **ALWAYS: WEAR EYE PROTECTION, USE GUARDS, CLAMP WORK IN VISE, USE PROPER RESPIRATORY PROTECTION.**
- **DO NOT EXPOSE TO RAIN OR USE IN DAMP LOCATIONS.**
- **ONLY USE CHOP SAW WHEEL OF A MAX. THICKNESS OF 2.8MM AND A MAX. DIAMETER OF 355mm.**

WARNING SYMBOLS

The label on your tool may include the following symbols:

- Use Eye Protection

- VVolts
- AAmperes
- HzHertz
- WWatts
- min.....minutes
- ~Alternating current
-Direct current
- n_0 No load speed
-Class II Construction
- ⊕Earthing terminal
- ⚠Safety alert symbol
- .../min.....Revolutions or reciprocations per minute

ELECTRICAL SAFETY

⚠ Warning! If the power cord is damaged, it must be replaced by the manufacturer, authorized Stanley Service Center or an equally qualified person in order to avoid damage or injury. If the power cord is replaced by an equally qualified person, but not authorized by Stanley the warranty will not be valid.

FEATURES (fig. 1, 4)

- A. Lock on Switch
- B. Spark Deflector Screw
- C. Spark Deflector
- D. Base
- E. Fence
- F. Vise
- G. Flat Wrench
- H. Crank
- I. Vise Level
- J. Wheel
- K. Guard
- L. Spindle Lock
- M. Depth Stop Bolt and Jam Nut
- N. Trigger Switch
- O. Padlock Hole
- P. Fence Bolts
- X. Lock Pin

POWER SUPPLY

Be sure your power supply agrees with the nameplate marking. A voltage decrease of more than 10% will cause a loss of power and overheating.

CUTTING CAPACITY


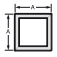
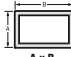

The wide vise opening and high pivot point provide cutting capacity for many large pieces. Use the cutting capacity chart to determine total maximum size of cuts that can be made with a new wheel.

CAUTION: CERTAIN LARGE, CIRCULAR OR

⚠ IRREGULARLY SHAPED OBJECTS MAY REQUIRE ADDITIONAL HOLDING MEANS IF THEY CANNOT BE HELD SECURELY IN VISE.
CAUTION: DO NOT CUT MAGNESIUM WITH THIS TOOL.

Maximum Cutting Capacity

NOTE: Capacity shown on chart assumes no wheel wear and optimum fence position.

Workpiece Shape:				
	A x B			
90° Cutting Angle	A = 4-7/8" (125mm)	A = 4-1/2" (115mm)	4-1/2" x 5-1/8" (115mm x 130mm) 4" x 7-5/8" (102mm x 188mm) 3" x 7-3/8" (76mm x 229mm)	A = 4-1/2" x 5-3/8" (115mm x 137mm)
45° Cutting Angle	A = 4-1/2" (115mm)	A = 3-13/16" (98mm)	4-1/2" x 3-13/16" 4-1/8" x 3-3/4" (105mm x 95mm)	A = 3-13/16" (95mm)

USE

Standard Equipment

- 355mm Metal Cutting Abrasive Wheel
- 1 Wheel Wrench
- 1 Instruction manual

To Carry (fig. 1)

Fold down unit to position where you can carry the saw. Push in lock pin (X) to lock arm down.

UnLocking (fig. 1)

To unlock tool and raise head, depress motor arm slightly and pull lock pin (X) out. Motor arm will then pivot upward.

Spark Deflector Adjustment (fig. 1)

To best deflect sparks away from surrounding persons and materials, loosen the screw (B), adjust the spark deflector (C) and then retighten screw. Do not allow cordset to come into contact with deflector or sparks as damage to cordset may occur.

Depth Stop (fig. 1)

Depth stop is set at the factory for a new 14" wheel to prevent wheel from cutting into the supporting surface. To allow more depth of cut, use the flat wrench provided (G) to loosen the depth stop bolt (M) and raise bolt to desired height and then turn jam nut (N) clockwise until seated firmly on the casting. Securely tighten the depth stop bolt before use.

⚠ CAUTION: When changing to a new wheel, readjust depth stop to original position to prevent cutting into supporting surface.

Trigger Switch (fig. 1)

To start the tool, depress the trigger switch (N). To turn the tool off, release the trigger switch. Keep hands and material from wheel until it has coasted to a stop. To prevent unauthorized use of tool, install a standard padlock (not included) into the padlock hole (O) located in the trigger.

Material Clamping and Supporting

- Angles are best clamped and cut with both legs resting against base.
- A spacer block slightly narrower than the work piece can be used to increase wheel utilization (Fig. 2).
- Long work pieces must be supported by a block so it will be level with top of base (Fig. 3). The cut off end should be free to fall downward to avoid wheel binding.

Vise Operation (fig. 4)

The vise (F) has a quick-travel feature. To release the vise when it is clamped tightly, turn the crank (H) counterclockwise one or two times to remove clamping pressure. Lift vise lever (I) up. Pull crank assembly out as far as desired. Vise may be pushed forward into work without cranking. Lower vise lever (I) then tighten vise (F) on work by using crank (H).

Fence Operation (fig. 5, 6)

⚠ CAUTION: Turn off and unplug the tool before making any adjustments or removing or installing attachments or accessories. Be sure the trigger switch is in the OFF position. The fence (E) can be adjusted two ways: to change desired cutting angle and to change spacing between the fence and vise.

To Change the Desired Cutting Angle

Use the wrench provided to loosen (do not remove) the two fence bolts (P). Align the desired angle indicator line with the slot line (A) in the base (D). Securely tighten both fence bolts before use. For more accurate square cuts, disconnect the power supply, loosen the two fence bolts, push arm down until wheel extends into base. Place a square against the wheel and adjust fence against the square. Securely tighten both fence bolts before use. When making a miter cut, the vise (F) may not clamp securely, depending on the thickness of the workpiece and the miter angle. Other aids (such as spring, bar or C-clamps) will be necessary to secure the work piece to the fence when

making these cuts.

To Change Spacing between The Fence and Vise

Using the wrench provided, loosen and remove the two fence bolts (P). Adjust the fence (E) to desired locations. Insert both fence bolts in provided locations. Securely tighten both fence bolts before use.

Removal and Installation of Wheels (fig. 7, 8)

- ⚠ CAUTION:** Turn off and unplug the tool before making any adjustments or removing or installing attachments or accessories. Be sure the trigger switch is in the OFF position. Do not make any adjustment while the wheel is in motion. Do not make any adjustment while chop saw is plugged into power supply.
1. Push in spindle lock (L) and rotate wheel (J) by hand until wheel lock lever engages slot in inside flange (R) to lock wheel. Loosen the bolt (S) counterclockwise in the center of the abrasive wheel with the 8mm hex wrench (G). Bolt has right-hand thread.
 2. Remove the bolt (S), washer (T), outside flange (U) and old wheel (J).
 3. Make sure flange surfaces are clean and flat. Install the new abrasive wheel by reversing the above steps.
 4. Do not overtighten bolt.

⚠ WARNING: Check the work surface that the chop saw rests on when replacing with a new abrasive wheel. It is possible that the wheel may contact ANY ITEMS OR STRUCTURE THAT EXTENDS ABOVE work surface (under the base) when the arm is fully lowered.

OPERATION TIPS FOR MORE ACCURATE CUTS

- Allow the wheel to do the cutting. Excessive force will cause the wheel to glaze reducing cutting efficiency and/or to deflect causing inaccurate cuts.
- Properly adjust fence angle.
- Make sure material is laying flat across base.
- Properly clamp material to avoid movement and vibration.

MOTOR BRUSH INSPECTION AND REPLACEMENT (FIG.9)

⚠ WARNING: Turn off and unplug the tool. Be sure the trigger switch is in the OFF position. Brushes should be regularly inspected for wear. To inspect brushes, unscrew the two end cap screws (V) and remove end cap (W). Remove brush cap (Y). Brushes (X) should slide freely in brush box. If brushes are worn down to .3" (8mm) as shown in Figure 9 they should be replaced. To reinstall, push new brush back into brushbox. If replacing existing brush, maintain same orientation as when removed. Replace the brush cap (do not overtighten). Replace end cap and two screws. Tighten securely.

MAINTENANCE

Your Stanley power tool has been designed to operate over a long period of time with a minimum of maintenance. Continuous satisfactory operation depends upon proper tool care and regular cleaning. Your tool is not user-serviceable. Take the tool to an authorized Stanley repair agent. This tool should be serviced at regular intervals or when showing a noticeable change in performance.

Lubrication

Stanley power tools are properly lubricated at the factory and are ready for use. Tools should be re-lubricated regularly, depending on usage. This lubrication should only be attempted by trained power tool repair persons, such as those at Stanley service centers or by other qualified service personnel.

Closed-type, grease-sealed ball bearings are used throughout. These bearings have sufficient lubrication-packed in them at the factory to last the life of the chop saw.

Cleaning

⚠ Warning: unplug the tool before you use a cloth to clean the housing. With the motor running, blow dirt and dust out of all air vents with dry air at least once a week. Wear safety glasses when performing this. Exterior plastic parts may be cleaned with a damp cloth and mild detergent. Although these parts are highly solvent resistant, NEVER use solvents.

Blowing dust and grit out of the main housing by means of an air hose is recommended and may be done as often as dirt is seen collecting in and around the air vents. Always wear proper eye and respiratory protection.

Tool Care

Avoid overloading the machine. Overloading will result in a considerable reduction in speed and efficiency and the unit will become hot. In this event, run the machine at no load for a minute or two until cooled to normal working temperature by the built in fan. Switching your machine on and off whilst under load will considerably reduce the life of the switch.

Important

To ensure product SAFETY and RELIABILITY, repairs, maintenance and adjustment (other than those listed in this manual) should be performed by authorized service centers or other qualified organizations, always using identical replacement parts. Unit contains no user serviceable parts inside. Blowing dust and grit out of the main housing by means of an air hose is recommended and may be done as often as dirt is seen collecting in and around the air vents. Always wear proper eye and respiratory protection.

NOTE: Unit may be converted to a 3-wire twist lock cord set at an authorized service center.


ACCESSORIES

The performance of any power tool is dependent upon the accessory used. Stanley accessories are engineered to high quality standards and are designed to enhance the performance of power tool.

Note: Accessory must be rated for use at speed equal to or higher than nameplate RPM of tool with which it is being used.

⚠ CAUTION: The use of any other accessory not recommended for use with this tool could be hazardous. Use only high-strength Type 1 organic bonded wheels rated 4100 rpm or higher. Recommended accessories for use with your tool are available at extra cost from your local dealer or authorized service center.

Protecting The Environment

 Should you find one day that your tool needs replacement, or if it is of no further use to you, think of the protection of the environment. Stanley recommends you to contact your local council for disposal information.

Service Information

Stanley offers a full network of company-owned and authorized service locations throughout Asia. All Stanley Service Centers are staffed with trained personnel to provide customers with efficient and reliable power tool service. Whether you need technical advice, repair, or genuine factory replacement parts, contact the Stanley location nearest to you.

Notes

- Stanley's policy is one of continuous improvement to our products and, as such, we reserve the right to change product specifications without prior notice.
- Standard equipment and accessories may vary by country.
- Product specifications may differ by country.
- Complete product range may not be available in all countries.
- Contact your local Stanley dealers for range availability.

STEL701 2100W 고속 절단기

기술 데이터

사양	STEL701	
전력	W	2100
무부하 속도	/min	0-3800
최대 직경	mm	355
무게	kg	15.5

용도

스탠리 고속 절단기는 절삭용으로 설계되었습니다.

일반 안전 규정

경고! 모든 지시 사항을 읽으십시오. 아래 설명한 모든 지시 사항을 따르지 않으면 감전, 화재 및/또는 심각한 부상을 초래할 수 있습니다. 아래의 모든 경고에서 사용된 "전동 공구"라는 말은 주 공급 전원에 의해 전기가 공급되는(유선) 전동 공구 또는 충전식(무선) 전동 공구를 의미합니다. 본 지시 사항을 잘 보관해두십시오.

1. 작업 영역

- 작업 영역을 청결하고 밝게 유지하십시오.** 혼잡하고 어두운 작업 영역에서는 사고가 발생하기 쉽습니다.
- 가연성 액체, 가스 또는 먼지 등 폭발 가능성이 있는 환경에서 전동 공구를 사용하지 마십시오.** 전동 공구에서 먼지나 가스를 발화시킬 수 있는 불꽃이 될 수 있습니다.
- 전공 공구를 사용하는 동안에는 어린이와 주변 사람들이 작업 영역에 가까이 들어오지 못하도록 하십시오.** 주변이 산만해져 통제력을 잃을 수 있습니다.

2. 전기 안전

- 전동 공구의 플러그는 콘센트와 형식이 일치해야 합니다.** 플러그를 어떤 방식으로든 절대 개조하지 마십시오. 접지핀(지면 접지) 전동 공구에 어떤 어댑터 플러그도 사용하지 마십시오. 개조되지 않은 플러그 및 형식이 일치하는 콘센트를 사용하면 감전 위험이 줄어듭니다.
- 파이프, 라디에이터, 렌치 및 냉장고 등과 같이 접지된 표면에 몸이 닿지 않도록 하십시오.** 신체가 접지되어 있으면 감전 위험이 높아집니다.
- 전동 공구를 비 또는 습한 환경에 노출하지 않도록 주의하십시오.** 전동 공구에 물이 들어가면 감전 위험이 높아집니다.
- 코드를 함부로 다루지 마십시오.** 코드를 사용하여 전동 공구를 운반하거나

잡아당기거나 플러그를 뽑지 마십시오. 열, 오일, 날카로운 모서리 또는 움직이는 부품에서 멀리 떨어진 장소에 코드를 보관하십시오. 코드가 손상되거나 얽혀 있으면 감전 위험이 높아집니다.

- 전동 공구를 실외에서 사용할 때는 실외 사용에 적합한 연장 코드를 사용하십시오.** 실외 사용에 적합한 코드를 사용하면 감전 위험이 줄어듭니다.
 - 어쩔 수 없이 습한 장소에서 전동 공구를 사용해야 하는 경우에는 누전 차단기(RCD)로 보호된 전원 공급 장치를 사용하십시오.** RCD(차단기)를 사용하면 감전 위험이 줄어듭니다.
- 참고:** "RCD(Residual Current Device)"는 "GFCI(Ground Fault Circuit Interrupter)" 또는 "ELCB(Earth Leakage Circuit Breaker)"로 대체할 수 있습니다.

3. 신체 안전 사항

- 전동 공구로 작업할 때는 방심하지 말고 작업에 주의하면서 상식에 따르십시오.** 피곤한 상태이거나 약물, 술, 치료제를 복용한 상태에서는 전동 공구를 사용하지 마십시오. 피곤한 상태이거나 약물, 술, 치료제를 복용한 상태에서는 전동 공구를 사용하지 마십시오.
- 안전 장구를 사용하십시오.** 항상 보안경을 착용하십시오. 적합한 상황에서 방진 마스크, 미끄럼 방지 안전화, 안전모 또는 청력 보호 기구 등의 안전 장구를 사용하면 부상 위험이 줄어듭니다.
- 기기가 갑자기 작동하지 않도록 방지하십시오.** 코드를 꽂기 전에 스위치가 '꺼짐' 위치에 있는지 확인하십시오. 스위치에 손가락이 닿은 상태로 전동 공구를 운반하거나, 스위치가 켜진 상태로 전동 공구에 전원을 공급하면 사고가 발생합니다.
- 전동 공구를 켜기 전에 모든 조정 키 또는 렌치를 제거하십시오.** 전동 공구의 회전 부품에 렌치가 키가 장착되어 있으면 부상을 당할 수 있습니다.
- 무리하게 팔을 뻗지 마십시오.** 항상 올바른 자세로 서서 균형을 유지하십시오. 그러면 예기치 않은 상황에서 전동 공구에 대한 제어력이 향상됩니다.
- 적절한 의복을 착용합니다.** 헐렁한 옷이나 장신구를 착용하지 마십시오. 머리카락, 옷 및 장갑이 움직이는 부품에 닿지 않도록 유의하십시오. 헐렁한 옷, 장신구 또는 긴 머리카락이 움직이는 부품에 걸 수 있습니다.
- 먼지 배출 및 집진 시설 연결을 위한 장치가 제공된 경우, 이들 장치가 연결되어 적절히 사용되고 있는지 반드시 확인하십시오.** 이러한 장치를 사용하면 먼지와 관련된 위험을 줄일 수 있습니다.

4. 전동 공구 사용 및 관리

- a. 전동 공구에 무리한 힘을 가하지 마십시오. 해당 용도에 맞는 올바른 전동 공구를 사용하십시오. 올바른 전동 공구를 사용해야 설계된 속도로 작업을 더욱 안전하고 정확하게 수행할 수 있습니다.
- b. 스위치로 켜지고 꺼지지 않는 전동 공구는 사용하지 마십시오. 스위치로 제어되지 않는 전동 공구는 위험하므로 수리해야 합니다.
- c. 전동 공구를 조정하거나 액세서리를 변경하거나 보관하기 전에 전원 및/또는 배터리 팩에서 플러그를 빼십시오. 이러한 예방적 안전 조치를 따라야 전동 공구가 갑자기 작동할 위험이 줄어듭니다.
- d. 사용하지 않는 전동 공구는 어린이의 손이 닿지 않는 곳에 보관하고, 전동 공구나 본 지시 사항에 익숙하지 않은 사람이 전동 공구를 절대 사용하지 못하게 하십시오. 전동 공구는 훈련을 받지 않은 사용자가 다루면 위험합니다.
- e. 전동 공구 유지 보수 움직임은 부품의 잘못된 정렬이나 바인딩, 부품 파손 및 기타 전동 공구의 작동에 영향을 미칠 수 있는 상태가 있는지 확인하십시오. 손상된 부분이 있는 경우 사용하기 전에 전동 공구를 수리하십시오. 많은 사고는 전동 공구를 제대로 유지 보수하지 않아 발생합니다.
- f. 작업 환경과 수행할 작업을 고려하여, 본 지시 사항에 따라 전동 공구, 액세서리 및 톨 비트 등을 사용하십시오. 본 사용 설명서의 내용과 다른 용도로 전동 공구를 사용하면 위험한 상황이 발생할 수 있습니다.

5. 수리

- a. 자격을 갖춘 기술자가 동일 교체 부품을 사용하여 정비 작업을 수행해야 합니다. 그래야 전동 공구의 안전이 보장됩니다.

절단기 관련 추가 안전 지시 사항

- 항상 적합한 눈 및 호흡기 보호 장구를 착용하십시오.
- 사용 전에 절삭 휠에 균열이나 결함이 있는지 검사하십시오. 균열이나 결함이 분명하게 관찰되는 휠은 폐기하십시오. 공구를 떨어뜨렸다고 생각되는 경우에도 항상 휠을 검사해야 합니다. 결함이 있으면 휠이 갈라질 수 있습니다.
- 새 휠이나 교체 휠로 공구를 작동할 때 또는 휠의 상태에 대해 잘 모를 때에는 공구를 잘 보호된 영역에서 잡고 1분간 작동시키십시오. 휠에 미처 발견하지 못한 균열이나 결함이 있는 경우에는 휠이 1분 내에 갈라집니다. 휠과 일직선상에 사람이 있는 상태에서 공구를 작동하지 마십시오. 이는 작업자도 마찬가지입니다.





- 작동 중일 때에는 휠을 땡기거나 거칠게 다루지 마십시오. 이런 식으로 취급한 경우, 공구를 멈추고 휠에 균열이나 결함이 있는지 검사하십시오.
 - 본 사용 설명서의 절차에 따라 절단기를 주기적으로 청소하십시오.
 - 휠 가드나 베이스를 제거하지 마십시오.
 - 항상 바이스나 고정 장치를 사용하여 작업물을 단단히 고정시키십시오. 작업물의 크기와 모양에 따라 스프링, 바 또는 C-클램프 등을 적절하게 보조적으로 사용할 수 있습니다. 이러한 클램프를 선택하고 사용할 때는 주의할 기울이고, 절삭 전에 작업물이 없는 상태에서 작동시켜보십시오.
 - 4100 rpm 등급 이상의 14" 타입 휠 1개만 사용하십시오.
 - 절삭된 부분이 식을 때까지 만지지 마십시오.
 - 나무나 플라스틱은 자르지 마십시오.
 - 마그네슘을 절대로 절삭하지 마십시오.
 - 환기가 잘 되는 장소에서 절단기를 사용하십시오.
 - 베이스에서 구성품을 제거하기 전에 절단기를 고정하십시오.
 - 전기적으로 활성인 재료는 자르지 마십시오.
 - 원형 톨날 등 톨니가 있는 다른 날을 사용하지 마십시오. 심각한 부상을 당할 수 있습니다.
 - 가연성 액체, 가스 또는 먼지가 있는 장소에서 이 공구를 작동하지 마십시오. 절삭 또는 호모터 브러시에서 튀는 불꽃이나 뜨거운 파편으로 인해 가연성 물질에 불이 붙을 수 있습니다.
 - 연마 휠 측면을 연마용으로 사용하지 마십시오. 휠이 크게 약해져 위험한 상황이 초래됩니다. 휠이 부서질 수도 있습니다.
- ⚠ 주의: 사용 중 적합한 청력 보호 장치를 착용하십시오. 사용 조건과 사용 기간에 따라 제품에서 발생하는 소음으로 인해 청력이 손상될 수도 있습니다.
- ⚠ 주의: 불꽃 반사대(deflector)가 뜨거워집니다. 뜨거운 상태에서 변형 기기를 만지거나 조정하지 마십시오. 코드와 재료를 불꽃 반사대에서 멀리 두십시오.
- 전동 샌딩, 절삭, 연마, 드릴 및 기타 건설 작업에 의해 발생하는 분진이 장시간 노출되지 않도록 하십시오. 보호복을 착용하고 노출된 부위를 비누물로 씻으십시오. 분진이 입이나 눈에 들어가거나 피부에 묻으면 해로운 화학물질이 체내로 쉽게 흡수될 수 있습니다.
- ⚠ 경고: 항상 NIOSH/OSHA에서 미세 입자용으로 승인한 호흡기 보호 장구를 사용하십시오. 얼굴과 몸에 입자가 직접 닿지 않도록 하십시오. 사용자의 안전과 편의를 위해 고성능 14" (355mm) 절단기에는 다음 경고가 부착되어 있습니다.

⚠️ 안전한 사용을 위해 사용 설명서를 읽으십시오.

- 톱니가 있는 날을 사용하지 마십시오.
- **4100 RPM** 등급 이상의 강화 휠만 사용하십시오.
- 수리 시에는 동일한 교체 부품만 사용하십시오.
- 항상 눈 보호 안경을 착용하고 가드를 설치하며 작업물을 바이스에 고정시키고 적합한 호흡기 보호 장구를 사용하십시오.
- 비에 노출하거나 습기가 많은 장소에서 사용하지 마십시오.
- 최대 두께 **2.8mm**, 최대 직경 **355mm**의 절삭 휠만 사용하십시오.

경고 기호

공구에 장착된 라벨에 다음 기호가 사용됩니다.

-  눈 보호 장구 착용
-  청력 보호 장구 착용
- V 전압
- A 전류
- Hz 주파수
- W 와트
- 분 분
- ~ 교류
- == 직류
- n_0 무부하 속도
-  클래스 II 건설 산업용
-  접지 단자
- ⚠️ 안전 경고 기호
- .../min..... 분당 회전 또는 왕복 수

전기 안전

⚠️ **경고!** 전원 코드가 손상된 경우, 제품 손상이나 부상을 방지하기 위해 제조업체, 공인 스탠리서비스 센터 또는 이에 준하는 자격을 가진 수리 기술자가 교체해야 합니다. 적절한 기술을 갖추었지만 스탠리에서 공인하지 않은 기술자를 통해 전원 코드를 교체하는 경우, 보증이 무효화됩니다.

각부 명칭 (그림 1, 4)

- A. 고정 스위치
- B. 불꽃 반사대 나사
- C. 불꽃 반사대
- D. 베이스
- E. 펜스
- F. 바이스

- G. 육각 렌치
- H. 크랭크
- I. 바이스 수평기
- J. 휠
- K. 가드
- L. 스프링 잠금 장치
- M. 깊이 제한 볼트 및 고정 너트
- N. 트리거 스위치
- O. 자물쇠 구멍
- P. 펜스 볼트
- X. 잠금 핀

전원 공급

전원은 기기 명판에 적힌 사양과 일치해야 합니다. 전압이 10% 이상 떨어지면 동력이 약해지고 과열이 발생합니다.

절삭력


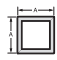
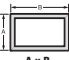

바이스 입구의 폭이 넓고 회전 중심점이 높으면 커다란 작업물을 절삭하기가 보다 수월해집니다. 절삭력 차트를 참고하여 새 휠로 자를 수 있는 최대 크기를 확인하십시오.

⚠️ **주의:** 크기가 크거나 원형 또는 불규칙한 모양의 작업물이 바이스에 잘 고정되지 않는 경우 추가적인 고정 수단이 필요합니다.

⚠️ **주의:** 마그네슘을 절대로 절삭하지 마십시오.

최대 절삭력

참고: 차트에 나타난 절삭력은 휠에 마모가 없고 펜스가 최적 위치에 있다고 가정합니다.

작업물 모양:				
	A x B			
90° 절삭 각도	A = 4-7/8" (125mm)	A = 4-1/2" (115mm)	4-1/2" x 5-1/8" (115mm x 130mm) 4" x 7-5/8" (102mm x 188mm)	A = 4-1/2" x 5-3/8" (115mm x 137mm)
45° 절삭 각도	A = 4-1/2" (115mm)	A = 3-13/16" (98mm)	4-1/2" x 3-13/16" (105mm x 95mm)	A = 3-13/16" (95mm)

사용법

기본 구성

- 355mm 금속 절삭용 휠 1개
- 휠 렌치 1개
- 사용 설명서 1개

이동 방법(그림 1)

고속 절단기를 휴대할 수 있는 위치까지 아래로 내려 접은 후 잠금 핀(X)을 안쪽으로 누릅니다.

잠금해제(그림 1)

공구의 잠금을 풀고 헤드를 올리려면 모터 쪽 손잡이를 약간 누르면서 잠금 핀(X)을 밖으로 잡아당깁니다. 그러면 모터 손잡이 부분이 위쪽으로 돌아옵니다.

불꽃 반사대 조절(그림 1)

주변에 있는 사람과 물건에 최대한 불꽃이 튀지 않도록 하려면 나사(B)를 풀고, 불꽃 반사대(C)를 조정할 다음 나사를 다시 조입니다. 코드가 반사막이나 불꽃에 닿지 않도록 하십시오. 코드가 손상될 수 있습니다.

깊이 제한(그림 1)

휠이 지지 표면까지 절삭하는 것을 방지하기 위해 출고 시 새 14" 휠에 대해 깊이 제한이 설정됩니다. 사용하기 전에 깊이 제한 볼트를 단단히 조이십시오.

⚠ 주의: 새 휠로 교체하는 경우, 지지 표면까지 절삭되지 않도록 깊이 제한을 다시 원래 위치에 맞추십시오.

트리거 스위치(그림 1)

공구를 작동시키려면 트리거 스위치(N)를 누릅니다. 공구를 끄려면 트리거 스위치를 놓습니다. 휠이 완전히 멈출 때까지 손이나 물건을 휠에 닿지 않도록 하십시오. 공구의 무단 사용을 방지하기 위해 표준 자물쇠(별매품)를 트리거에 있는 자물쇠 구멍(O)에 설치하십시오.

작업물 고정 및 지지

- 앵글은 두 측면이 모두 베이스에 맞닿은 상태에서 가장 잘 고정 및 절삭됩니다.
- 작업물보다 약간 좁은 스페이서 블록을 사용하면 휠을 조작하기가 수월합니다(그림 2).
- 긴 형태의 작업물은 베이스 상단과 수평이 되도록 블록을 받쳐야 합니다(그림 3). 절삭된 부분은 자연스럽게 떨어지도록 해야 휠에 걸리지 않습니다.

바이스 조작(그림 4)

바이스(F)에는 빠른 이동 기능이 있습니다. 너무 단단히 조여진 바이스를 풀려면 크랭크(H)를 시계 반대 방향으로 1, 2회 돌려 조임 압력을 풉니다. 바이스 레버(I)를 위로 올립니다. 크랭크 어셈블리를 최대한 멀리 잡아당깁니다. 바이스를 크랭크

조작 없이 작업물 방향으로 밀 수 있습니다. 바이스 레버(I)를 내린 다음 크랭크(H)를 이용하여 작업물에 바이스(F)를 조입니다.

펜스 조작 (그림 5, 6)

⚠ 주의: 부착물이나 액세서리를 조정, 제거 또는 설치하기 전에 공구를 끄고 코드를 뽑으십시오. 트리거 스위치가 꺼짐 위치에 있는지 반드시 확인하십시오. 펜스(E)는 두 가지 방법으로 조절할 수 있습니다. 즉, 원하는 절삭 각도를 변경하고 펜스와 바이스 사이의 간격을 변경할 수 있습니다.

원하는 절삭 각도를 변경하는 방법

제공된 렌치를 사용하여 펜스 볼트(P) 2개를 풉니다(제거하지는 않음). 원하는 각도 표시 라인을 베이스(D)에 있는 슬롯 라인(A)과 맞춥니다. 사용하기 전에 펜스 볼트 2개를 단단히 조입니다. 더욱 정확한 직각 절삭을 위해 전원을 분리하고 펜스 볼트 2개를 푼 다음 휠이 베이스까지 들어갈 때까지 손잡이 부분을 아래쪽으로 누릅니다. 직각자를 휠에 맞대어 놓고 펜스를 직각자에 맞춥니다. 사용하기 전에 펜스 볼트 2개를 단단히 조입니다. 연귀 절삭의 경우, 작업물의 두께와 연귀 각도에 따라 바이스(F)가 단단히 물리지 않을 수도 있습니다. 이러한 절삭 작업 시에는 다른 보조 수단(스프링, 바 또는 C-클램프 등)을 이용하여 작업물을 펜스에 고정시켜야 합니다.

펜스와 바이스 사이의 간격을 변경하는 방법

제공된 렌치를 사용하여 펜스 볼트(P) 2개를 풉니다. 펜스(E)를 원하는 위치에 맞춥니다. 펜스 볼트 2개를 제공된 위치에 끼웁니다. 사용하기 전에 펜스 볼트 2개를 단단히 조입니다.

휠 제거 및 설치(그림 7, 8)

⚠ 주의: 부착물이나 액세서리를 조정, 제거 또는 설치하기 전에 공구를 끄고 코드를 뽑으십시오. 트리거 스위치가 꺼짐 위치에 있는지 반드시 확인하십시오. 휠이 움직이고 있을 때는 어떤 조절 작업도 수행하지 마십시오. 절단기가 전원에 연결된 상태에서는 어떤 조절 작업도 수행하지 마십시오.

1. 스펀들 잠금 장치(L)를 누르고 휠 잠금 레버가 아래 만조(R) 내부의 홈에 걸려 휠을 고정시킬 때까지 휠(J)을 손으로 돌립니다. 8mm 육각 렌치(G)로 연마 휠 중앙에서 볼트(S)를 시계 반대 방향으로 풉니다. 볼트는 오른쪽 나사입니다.
2. 볼트(S), 와셔(T), 덮개 만조(U) 및 기존 휠(J)을 제거합니다.
3. 만조 표면이 깨끗하고 평평해야 합니다. 위의 과정을 반대로 수행하여 새 연마 휠을 설치합니다.

4. 볼트를 지나치게 조이지 마십시오.

⚠ 경고: 새 연마 휠로 교체할 때 절단기가 작업 물의 어느 위치까지 절삭하여 들어가는지 확인하십시오. 손잡이 부분을 완전히 내렸을 때 휠이 작업물 아래쪽 베이스 부분의 구성품이나 구조물까지 절삭할 수 있기 때문입니다.

절삭의 정확성을 높이기 위한 조작 요령

- 휠 자체 무게로 절삭이 이루어지도록 하십시오. 과도한 힘을 가하면 휠이 미끄러져 절삭 효과가 떨어지거나 휘어져 절삭이 부정확해집니다.
- 펜스 각도를 적합하게 조절하십시오.
- 작업물이 베이스에 평평하게 놓이도록 합니다.
- 작업물을 단단히 고정시켜 작업 중 움직이거나 흔들리지 않도록 하십시오.

모터 브러시 검사 및 교체(그림 9)

⚠ 경고: 공구의 전원 플러그를 뽑으십시오. 트리거 스위치가 꺼짐 위치에 있는지 반드시 확인하십시오. 브러시는 정기적으로 마모 상태를 점검해야 합니다. 브러시를 점검하려면 엔드캡 나사(V) 2개를 풀고 엔드캡(W)을 제거합니다. 브러시 캡(M)을 제거합니다. 브러시(X)는 브러시 박스에서 자유롭게 미끄러져야 합니다. 브러시가 그림 9와 같이 0.3"(8mm)까지 마모된 경우, 교체해야 합니다. 다시 설치하려면 새 브러시를 다시 브러시 박스에 밀어 넣습니다. 기존 브러시를 다시 사용하는 경우, 제거할 때와 동일한 방향을 유지하십시오. 브러시 캡을 다시 끼웁니다 (지나치게 조이지 않음). 엔드캡과 나사 2개를 다시 끼웁니다. 단단히 조입니다.

유지 보수

스탠리 전동 공구는 최소한의 유지 보수로 장기간에 걸쳐 작업이 가능하도록 설계되어 있습니다. 만족스러운 연속 작동은 적절한 공구 관리와 정기적인 청소로 따라 그 성능이 달라질 수 있습니다. 본 공구는 사용자가 수리할 수 없습니다. 공인 스탠리 수리점에 수리를 의뢰하십시오. 본 공구는 정기적으로, 또는 성능이 크게 저하된 경우에 정비해야 합니다.

윤활방법

스탠리 전동 공구는 적절히 윤활 처리되어 출고되기 때문에 구입 즉시 사용이 가능합니다. 이후 사용 환경에 따라 정기적으로 윤활제를 도포해야 합니다. 이러한 윤활 작업은 스탠리 서비스 센터 기술자 또는 자격을 갖춘 다른 정비 기술자 등 교육을 받은 전동 공구 수리 기술자만이 수행해야 합니다.

공구 전 부분에 폐쇄형 그리스 밀폐 볼 베어링이 사용되었습니다. 이러한 베어링은 절단기 수명이 다할 때까지 윤활 작용을 지속하도록 출고 시 자체 내에 충분한 윤활제를 담고 있습니다.

청소

⚠ 청소: 형강을 이용하여 외관을 청소하기 전에 공구의 전원 플러그를 뽑으십시오. 일주일에 한 번 이상, 모니터가 작동하는 상태에서 건조한 공기로 모든 공기 배출구에서 먼지를 불어내십시오. 이 때 안전 고글을 착용하십시오. 플라스틱 외관 부분은 물이나 연한 세제를 묻힌 형강으로 닦을 수 있습니다. 이러한 부분에는 내화학성이 우수한 재질이 사용되었지만 용제는 절대 사용하지 마십시오.

먼지가 쌓인 것이 육안으로 확인될 때마다 공기 호스로 메인 하우징의 통풍구 주변에서 먼지나 돌가루를 불어내는 것이 좋습니다. 항상 적합한 눈 및 호흡기 보호 장구를 착용하십시오.

공구 관리

과열을 방지하십시오. 과열이 발생하면 절삭 속도와 효과가 크게 감소하고 기기가 뜨거워 집니다. 이 경우, 내부 팬에 의해 기기가 정상 작동 온도로 냉각될 때까지 1~2분 가량 작업을 없이 기기를 작동시키십시오. 부하가 걸린 상태에서 장비 전원을 켜고 끄면 스위치 수명이 크게 줄어듭니다.

중요

제품 안전과 신뢰성을 보장하기 위해 수리, 유지 보수 및 조정 작업(본 사용 설명서에서 다루지 않은 작업)은 공인 서비스 센터 또는 자격을 갖춘 다른 수리점에서 항상 동일한 교체 부품을 사용하여 수행해야 합니다. 본 기기 내부에는 사용자가 수리할 수 있는 부품이 없습니다. 먼지가 쌓인 것이 육안으로 확인될 때마다 공기 호스로 메인 하우징의 통풍구 주변에서 먼지나 돌가루를 불어내는 것이 좋습니다. 항상 적합한 눈 및 호흡기 보호 장구를 착용하십시오.

참고: 공인 서비스 센터에서 본 기기를 3-와이어 꼬임 잠금 코드 세트로 변환할 수도 있습니다.


액세서리

전동 공구의 성능은 사용한 액세서리에 따라 결정됩니다. 스탠리 액세서리는 높은 품질 기준을 만족하도록 제조되었으며, 전동 공구의 성능을 향상시키도록 설계되었습니다.

참고: 공구의 명판에 적힌 RPM보다 높은 속도에서 사용이 가능한 등급의 액세서리를 사용해야 합니다.

⚠ 주의: 본 공구와 함께 사용하도록 권장되지 않는 다른 액세서리를 사용할 경우 위험할 수 있습니다. 4100 rpm 이상 등급의 고강도 타입 1 유기 결합 휠만 사용하십시오. 본 공구와 함께 사용을 권장하는 액세서리는 해당 지역에 있는 판매점이나 공인 서비스 센터를 통해 구입할 수 있습니다.

환경 보호

 공구를 교체해야 하거나 더 이상 쓸모가 없어졌다고 판단될 때는 환경 보호에 대해 한번쯤 생각해보기 바랍니다. 해당 구청에 연락하여 올바른 폐기 방법에 대해 알아보는 것이 좋습니다.

서비스 정보

스탠리는 대한민국 전역에 영업소를 자체 운영하거나 공인 서비스 센터를 두고 있습니다. 모든 스탠리 서비스 센터에는 교육을 이수한 전문 직원이 배치되어 있어 고객에게 효과적이고 믿을 수 있는 전동 공구 서비스를 제공하고 있습니다. 기술 지원, 수리 또는 순정 교체 부품이 필요한 모든 경우에 가까운 스탠리로 연락하십시오.

참고사항

- 스탠리의 정책은 제품을 지속적으로 개선시키는 것이기 때문에 사전 통지 없이 제품 사양이 변경될 수 있습니다.
- 기본 장비 및 액세서리 구성은 국가에 따라 다를 수 있습니다.
- 제품 사양은 국가에 따라 다를 수 있습니다.
- 각 국가에 따라 판매하지 않는 제품도 있을 수 있습니다.
- 제품 판매 여부는 해당 지역에 있는 스탠리 판매점으로 문의하십시오.

