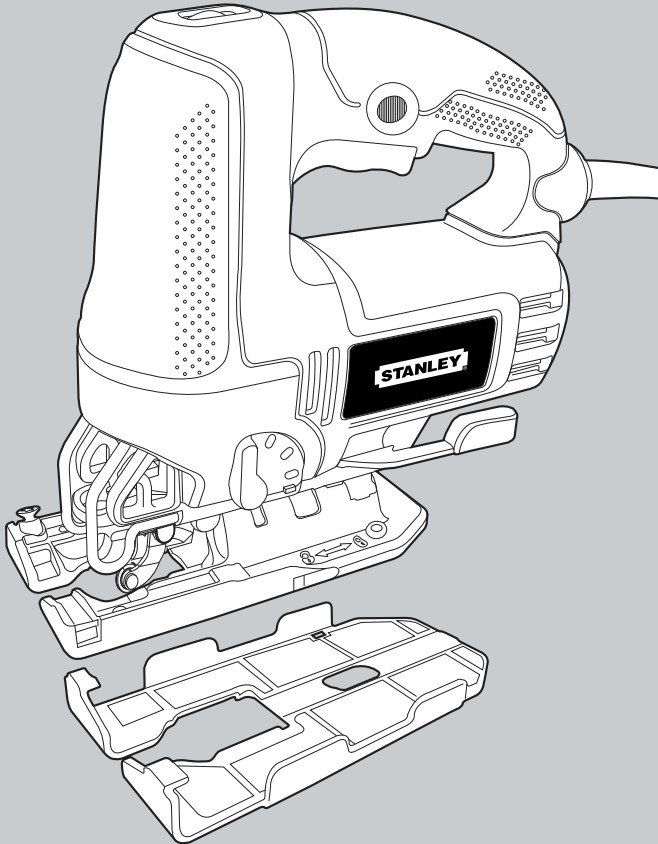


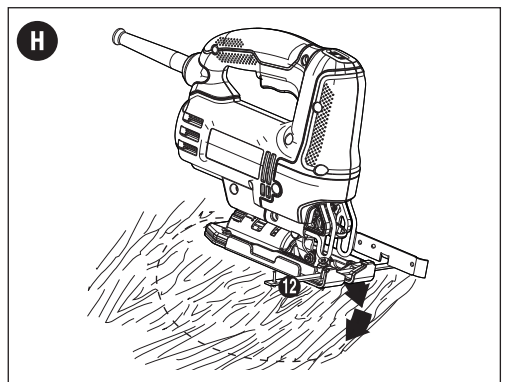
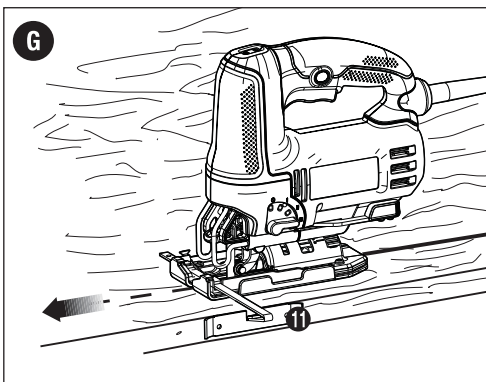
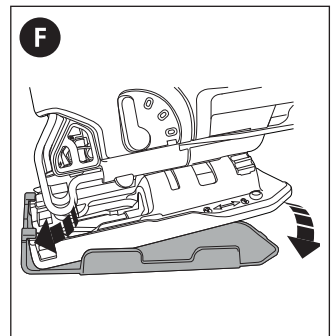
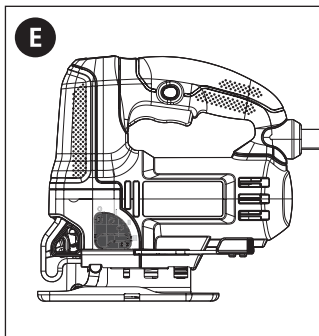
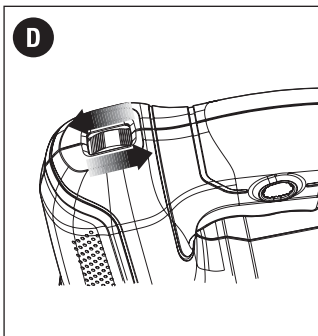
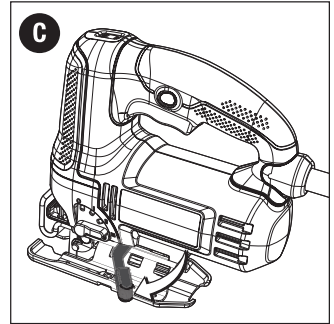
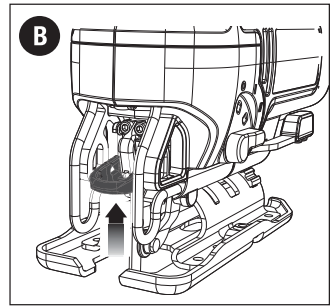
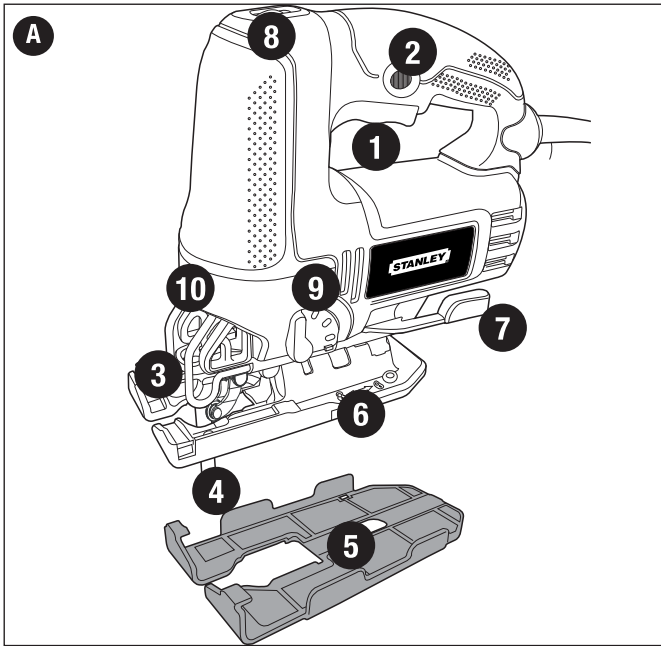
# STANLEY

®



STEL345

English	3
简体中文	7
INDONESIA	11
ภาษาไทย	16
TIẾNG VIỆT	21



# STEL345 VS ORBITAL JIG SAW

## TECHNICAL DATA

SPECIFICATION		STEL345
INPUT VOLTAGE	v	220-240
POWER INPUT	w	650
NO-LOAD SPEED	/min	800-3,200
STROKE LENGTH	mm	20
WEIGHT	kg	2.7

## INTENDED USE

Your Stanley jig-saw has been designed for sawing wood, plastics and sheet metal.

## SAFETY INSTRUCTIONS

General power tool safety warnings



**Warning!** Read all safety warnings and all instructions. Failure to follow all instructions may result in electric shock, fire and/or serious injury.

### Save all warnings and instructions for future reference.

The term "power tool" in all of the warnings listed below refers to your mains operated (corded) power tool or battery operated (cordless) power tool.

### 1. Work area safety

- Keep work area clean and well lit.** Cluttered or dark areas invite accidents.
- Do not operate power tools in explosive atmospheres, such as in the presence of flammable liquids, gases or dust.** Power tools create sparks which may ignite the dust or fumes.
- Keep children and bystanders away while operating a power tool.** Distractions can cause you to lose control.

### 2. Electrical safety

- Power tool plugs must match the outlet. Never modify the plug in any way.** Do not use any adapter plugs with earthed (grounded) power tools. Unmodified plugs and matching outlets will reduce risk of electric shock.
- Avoid body contact with earthed or grounded surfaces such as pipes, radiators, ranges and refrigerators.** There is an increased risk of electric shock if your body is earthed or grounded.
- Do not expose power tools to rain or wet conditions.** Water entering a power tool will increase the risk of electric shock.
- Do not abuse the cord. Never use the cord for carrying, pulling or unplugging the power tool.** Keep

cord away from heat, oil, sharp edges or moving parts. Damaged or entangled cords increase the risk of electric shock.

- When operating a power tool outdoors, use an extension cord suitable for outdoor use.** Use of a cord suitable for outdoor use reduces the risk of electric shock.
- If operating a power tool in a damp location is unavoidable, use a residual current device (RCD) protected supply.** Use of an RCD reduces the risk of electric shock.

### 3. Personal safety

- Stay alert, watch what you are doing and use common sense when operating a power tool. Do not use a power tool while you are tired or under the influence of drugs, alcohol or medication.** A moment of inattention while operating power tools may result in serious personal injury.
- Use personal protective equipment. Always wear eye protection.** Protective equipment such as dust mask, non-skid safety shoes, hard hat, or hearing protection used for appropriate conditions will reduce personal injuries.
- Prevent unintentional starting. Ensure the switch is in the off-position before connecting to power source and/or battery pack, picking up or carrying the tool.** Carrying power tools with your finger on the switch or energising power tools that have the switch on invites accidents.
- Remove any adjusting key or wrench before turning the power tool on.** A wrench or a key left attached to a rotating part of the power tool may result in personal injury.
- Do not overreach. Keep proper footing and balance at all times.** This enables better control of the power tool in unexpected situations.
- Dress properly. Do not wear loose clothing or jewellery. Keep your hair, clothing and gloves away from moving parts.** Loose clothes, jewellery or long hair can be caught in moving parts.
- If devices are provided for the connection of dust extraction and collection facilities, ensure these are connected and properly used.** Use of these devices can reduce dust related hazards.

### 4. Power tool use and care

- Do not force the power tool. Use the correct power tool for your application.** The correct power tool will do the job better and safer at the rate for which it was designed.
- Do not use the power tool if the switch does not turn it on and off.** Any power tool that cannot be controlled with the switch is dangerous and must be repaired.
- Disconnect the plug from the power source and/or**

the battery pack from the power tool before making any adjustments, changing accessories, or storing power tools. Such preventive safety measures reduce the risk of starting the power tool accidentally.

- d. **Store idle power tools out of the reach of children and do not allow persons unfamiliar with the power tool or these instructions to operate the power tool.** Power tools are dangerous in the hands of untrained users.
  - e. **Maintain power tools. Check for misalignment or binding of moving parts, breakage of parts and any other condition that may affect the power tools operation. If damaged, have the power tool repaired before use.** Many accidents are caused by poorly maintained power tools.
  - f. **Keep cutting tools sharp and clean.** Properly maintained cutting tools with sharp cutting edges are less likely to bind and are easier to control.
  - g. **Use the power tool, accessories and tool bits etc. in accordance with these instructions, taking into account the working conditions and the work to be performed.** Use of the power tool for operations different from those intended could result in a hazardous situation.
5. **Service**
- a. **Have your power tool serviced by a qualified repair person using only identical replacement parts.** This will make sure that the safety of the power tool is maintained.

## ADDITIONAL POWER TOOL SAFETY WARNINGS

 **WARNING:** Additional safety warnings for jigsaws.

- **Hold power tool by insulated gripping surfaces, when performing an operation where the cutting accessory may contact hidden wiring or its own cord.** Cutting accessory contacting a "live" wire may make exposed metal parts of the power tool "live" and could give the operator an electric shock.
- **Use clamps or another practical way to secure and support the workpiece to a stable platform.** Holding the work by hand or against your body leaves it unstable and may lead to loss of control.
- **Keep hands away from cutting area.** Never reach underneath the work piece any reason. Do not insert fingers or thumb into the vicinity of the reciprocating blade and blade clamp. Do not stabilize the saw by gripping the shoe.

- **Keep blades sharp.** Dull or damaged blades may cause the saw to swerve or stall under pressure. Always use the appropriate type of saw blade for the workpiece material and type of cut.
- **When cutting pipe or conduit, make sure that they are free from water, electrical wiring, etc.**
- **Do not touch the workpiece or the blade immediately after operating the tool.** They can become very hot.
- **Be aware of hidden hazards, before cutting into walls, floors or ceilings, check for the location of wiring and pipes.**
- **The blade will continue to move after releasing the switch.** Always switch the tool off and wait for the saw blade to come to a complete standstill before putting the tool down.



**WARNING:** Contact with, or inhalation of dusts arising from cutting applications may endanger the health of the operator and possible bystanders. Wear a dust mask specifically designed for protection against dust and fumes and ensure that persons within or entering the work area are also protected.

- This tool is not intended for use by persons (including children) with reduced physical, sensory or mental capabilities, or lack of experience and knowledge, unless they have been given supervision or instruction concerning use of the appliance by a person responsible for their safety. Children should be supervised to ensure that they do not play with the appliance.
- The intended use is described in this instruction manual. The use of any accessory or attachment or performance of any operation with this tool other than those recommended in this instruction manual may present a risk of personal injury and/or damage to property

## LABELS ON TOOLS



**Warning!** To reduce the risk of injury, the user must read the instruction manual.

## ELECTRICAL SAFETY



This tool is double insulated; therefore no earth wire is required. Always check that the power supply corresponds to the voltage on the rating plate.

- This appliance is not intended for use by young or infirm persons without supervision. Children must be supervised to ensure they do not play with the appliance.
- If the supply cord is damaged, it must be replaced by the manufacturer or an authorised Stanley Service Centre in order to avoid a hazard.

## SYMBOLS

The label on your tool may include the following symbols:

V	.....Volts
A	.....Amperes
Hz	.....Hertz
W	.....Watts
min	.....minutes
~	.....Alternating current
—	.....Direct current
$n_0$	.....No load speed
ⓘ	.....Class I Construction (grounded)
⊕	.....Earthing terminal
⊞	.....Class II Construction
⚠	.....Safety alert symbol
.../min	.....Revolutions or reciprocations per minute
sfpm	.....surface feet per minute

## FEATURES (FIGURE A)

1. Trigger switch
2. Lock-on button
3. Saw blade locking lever
4. Saw blade
5. Shoe sleeve
6. Shoe
7. Shoe beveling lever
8. Speed control wheel
9. Cutting action lever
10. LED Light

## OPERATION



Before attempting any of the following operations, make sure that the tool is switched off and unplugged and that the saw blade has stopped. Used saw blades can be hot. The tool always is supplied via residual current device with a rated residual current of 30 mA or less.

## BLADE INSTALLATION (FIGURE B)

- Push the saw blade locking lever (3) upward.
- With teeth facing forward, insert the shank of the saw blade into the blade holder as far as it will go.

- Release the lever.
- Check to ensure blade is secure before cutting.

## ADJUSTING THE SHOE FOR BEVEL CUTS(FIGURE C)



Never use the tool when the shoe is loose or removed. The shoe plate can be set to a left or right bevel angle of up to 45°.

### To set the bevel angle:

- Pull the shoe beveling lever (7) out and away from the saw to unlock the shoe (6) as shown in **figure C**
- Slide the shoe forward to release it from the 0° positive stop position.
- The shoe can be beveled to the left or to the right and has detents at 15°, 30° and 45°.
- Set the shoe to the desired bevel angle. Use a protractor to verify angle accuracy.
- Push the shoe beveling lever back towards the saw to lock the shoe.

### To reset the shoe for straight cuts:

- Pull the shoe beveling lever (7) out and away from the saw to unlock the shoe (6) as shown in **figure C**.
- Rotate shoe to an angle of approximately 0° and then pull shoe backwards to engage the 0° positive stop.
- Push the shoe beveling lever back towards the saw to lock the shoe.

## SWITCHING ON AND OFF

- To switch the tool on, squeeze the trigger switch (1).
- For continuous operation, squeeze the trigger switch then depress the lock-on button (2). Once lock-on button is depressed, release the trigger switch.
- To switch the tool off, release the trigger switch. To switch the tool off, when in continuous operation, squeeze the trigger and the lock will disengage.

## VARIABLE SPEED CONTROL (FIGURE D)

A speed control wheel (8) is located on the top of the saw. The speed increases as the wheel is turned from a low speed setting of 1 to a high speed setting of 7.

## CUTTING ACTION – ORBITAL OR STRAIGHT (FIGURE E)



Check that the tool is not locked **ON** before connecting it to a power supply. If the trigger switch is locked **ON** when the tool is connected to the power supply, it will start immediately. Damage to your tool or personal injury may result.

This jig saw is equipped with four cutting actions, three orbital and one straight. Orbital action has a more aggressive blade motion and is designed for cutting in soft materials like wood or plastic. Orbital action provides a faster cut, but with a less smooth cut across the material. In orbital action, the blade moves forward during the cutting stroke in addition to the up and down motion.

**NOTE:** Metal or hardwoods should never be cut in orbital action.

#### To adjust the cutting action:

- Move the cutting action lever (9) between the four cutting positions: 0, 1, 2, and 3.
- Position 0 is straight cutting.
- Positions 1, 2, and 3 are orbital cutting.
- The aggressiveness of the cut increases as the lever is adjusted from one to three, with three being the most aggressive cut.

#### LED LIGHT

The jig saw is equipped with a light which projects on the cutting path.

- The light will come on when the trigger switch is depressed and will go off when the trigger switch is released.

#### REMOVABLE SHOE SLEEVE (FIGURE F)

The non-marring shoe sleeve (5) should be used when cutting surfaces that scratch easily, such as laminate, veneer, or paint. It can also be used to protect the shoe surface during transportation and storage.

**To attach shoe sleeve,** place the front of the shoe (6) into the front of the shoe sleeve (5) and lower the jig saw as shown in **figure F**. The shoe sleeve will click securely onto the rear of the shoe.

**To remove shoe sleeve,** grasp the sleeve from the bottom at the two rear tabs and pull down and away from the shoe.

#### Hints for optimum use

##### Sawing laminates

As the saw blade cuts on the upward stroke, splintering may occur on the surface closest to the shoe plate.

- Use a fine-tooth saw blade.
- Saw from the back surface of the workpiece.
- To minimize splintering, clamp a piece of scrap wood or hardboard to both sides of the workpiece and saw through this sandwich.

#### Sawing metal

- Be aware that sawing metal takes much more time than sawing wood.
- Use a saw blade suitable for sawing metal.
- When cutting thin metal, clamp a piece of scrap wood to the back surface of the workpiece and cut through this sandwich.
- Spread a film of oil along the intended line of cut for easier operation and longer blade life. For cutting aluminum, kerosene is preferred.

#### RIP / CIRCLE CUTTING (FIGURE G, H)

Ripping and circle cutting without a pencil line are easily done with the rip fence / circle guide (not included - available at extra cost).

Using the screw supplied with the accessory guide, position as shown in **figure G** and thread the screw into the shoe to clamp the fence securely.

When ripping, position as shown in **figure G** and slide the rip fence under the screw from either side of the saw. Set the cross bar (10) at desired distance from blade and tighten screw. For ripping, the cross bar should be down and against the straight edge of the workpiece as shown.

When circle cutting, adjust rip fence so that distance from blade to hole in fence arm (11) is at the desired radius and tighten screw. Place saw so that hole in fence arm is over center of circle to be cut (drill hole for blade or cut inward from edge of material to get blade into position). When saw is properly positioned, drive a small nail through hole in fence arm. Using rip fence as a pivot arm, begin cutting circle. For circle cutting, the cross bar should be up, as shown in **figure H**.

#### MAINTENANCE

Your Stanley power tool has been designed to operate over a long period of time with a minimum of maintenance. Continuous satisfactory operation depends upon proper tool care and regular cleaning.

- Regularly clean the ventilation slots in your tool using a soft brush or dry cloth.
- Regularly clean the motor housing using a damp cloth. Do not use any abrasive or solvent-based cleaner. Never let any liquid get inside the tool and never immerse any part of the tool into liquid.

## STEL345 VS 型曲线锯

### 技术参数

规格	STEL345	
输入电压	伏特	220
输入功率	瓦特	650
空载速度	/分钟	800-3,200
冲程长度	毫米	20
重量	千克	2.7

### 设计用途

本史丹利曲线锯的设计目的是锯切木材、塑料和金属材料。

### 安全须知

#### 电动工具通用安全警告

**⚠ 警告！阅读所有警告和所有说明。** 不遵照以下警告和说明会导致电击、着火和/或严重伤害。

保存所有警告和说明书以备将来查阅。

在所有下列警告中术语“电动工具”指市电驱动（有线）电动工具或电池驱动（无线）电动工具。

#### a) 工作场地的安全

- 1) **保持工作场地清洁和明亮。** 混乱和黑暗的场地会引发事故。
- 2) **不要在易爆环境，如有易燃液体、气体或粉尘的环境下操作电动工具。** 电动工具产生的火花会点燃粉尘或气体。
- 3) **让儿童和旁观者离开后操作电动工具。** 注意力不集中会使操作者失去对工具的控制。

#### b) 电气安全

- 1) **电动工具插头必须与插座相配。** 绝不能以任何方式改装插头。需接地的电动工具不能使用任何转换插头。未经改装的插头和相配的插座将减少电击危险。
- 2) **避免人体接触接地表面，如管道、散热片、冰箱。** 如果你身体接地会增加电击危险。
- 3) **不得将电动工具暴露在雨中或潮湿环境中。** 水进入电动工具将增加电击危险。
- 4) **不得滥用电线。** 绝不能使用电线搬运、拉动电动工具或拔出其插头。使电线远离热源、油、

锐边或运动部件。受损或缠绕的软线会增加电击危险。

- 5) **当在户外操作电动工具时，使用适合户外使用的外接软线。** 适合户外使用的软线将减少电击的危险。
- 6) **如果在潮湿的环境下操作电动工具是不可避免的，应使用剩余电流动作保护器（RCD）。** 使用RCD可减小电击的危险。

#### c) 人身安全

- 1) **保持警觉。** 当操作电动工具时关注所从事的操作并保持清醒。当你感到疲倦，或在有药物、酒精或治疗反应时，不要操作电动工具。在操作电动工具时瞬间的疏忽会导致严重人身伤害。
- 2) **使用个人防护装置。** 始终佩戴护目镜。安全装置，诸如适当条件下使用防尘面具、防滑安全鞋、安全帽，听力防护等装置能减少人身伤害。
- 3) **防止意外起动。** 确保开关在连接电源和/或电池盒、拿起或搬运工具时处于关断位置。手指放在已经接通电源的开关上或开关处于接通时插入插头可能会导致危险。
- 4) **在电动工具接通之前，拿掉所有调节钥匙或扳手。** 遗留在电动工具旋转零件上的扳手或钥匙会导致人身伤害。
- 5) **手不要伸得太长。** 时刻注意立足点和身体平衡。这样在意外情况下能很好地控制电动工具。
- 6) **着装适当。** 不要穿宽松的衣服或佩戴饰品。让衣服、手套和头发远离运动部件。宽松衣服、配饰或长发可能会卷入运动部件中。
- 7) **如果提供了与排屑装置、集尘设备连接用的装置，要确保这些装置连接完好且使用得当。** 使用这些装置可减少碎屑引起的危险。

#### d) 电动工具的使用和注意事项

- 1) **不要滥用电动工具。** 根据用途使用适当的电动工具。选用适当设计的电动工具会使你工作更有效、更安全。
- 2) **如果开关不能接通或关断工具电源，则不能使用该电动工具。** 不能用开关来控制的电动工具是危险的且必须进行修理。
- 3) **在进行任何调节、更换附件或贮存电动工具之前，必须从电源上拔掉插头和/或使电池盒与工具脱开。** 这种防护性措施将减少工具意外起动的危险。
- 4) **将闲置不用的电动工具贮存在儿童所及范围之**

外，并且不要让不熟悉电动工具或对这些说明不了解的人操作电动工具。电动工具在未经培训的用户手中是危险。

- 5) **保养电动工具。**检查运动部件是否调整到位或卡主、检查零件破损情况和影响电动工具运行的其他状况。如有损坏，电动工具应在使用前修理好。许多事故由维护不良电动工具所引发。
- 6) **保持切削刀具锋利和清洁。**保养良好的有锋利切削刃的刀具不易卡住而且更容易控制。
- 7) **按照使用说明书，考虑作业条件和进行的工作来使用电动工具、附件和工具的刀头等。**将电动工具用于那些与其用途不符的操作可能会导致危险。

e) **维修**

- 1) **将你的电动工具送交专业维修人员，使用同样的备件进行修理。**这样将确保所维修的电动工具的安全性。

**曲线锯安全附则**

**⚠ 警告：曲线锯安全附则。**

- **在切割配件可能接触隐藏的导线或电动工具自身导线的情况下，请仅握持绝缘的把手表面。**如果切割配件接触“带电”导线，工具暴露金属部件的表面会“带电”，并且导致操作员触电。
- **请使用夹钳或其它切实可行的方法来固定和支撑工件，将其固定到稳定的工作台上。**用手抓住工件或用身体抵住工件并不稳定，可能会导致工件失控。
- **双手远离切割区域。**禁止以任何理由将手伸到工件下面。请勿将手指或拇指插入往复运动的锯片和锯片夹临近区域。禁止通过紧握导板来稳定工具。
- **保持锯片锋利。**钝的或损坏的锯片会使电锯在压力下偏斜或停止。必须采用与工件材料和锯切类型相匹配的锯片。
- **当锯切管道或导管时，请确认其中无水或电线等障碍物。**
- **使用完工具后，请勿立即接触工件或锯片。它们会变得很烫。**
- **注意暗藏的风险。**在锯切墙体、地板或天花板之前，请检查电线和管道的位置。
- **释放开关之后，锯片会继续运动。关闭工具后，必须等锯片完全停止后再放下工具。**

- **⚠警告！**砂光作业会产生粉尘，如果不慎与之接触或吸入，会危害操作人员甚至周围人员的健康。请佩戴专用防尘面罩，并保证工作区内人员和进入工作区的人员也采取保护措施。
- **除非其安全负责人进行工具使用的监督或指导，否则体力、感知能力或心智不足的人（包括儿童），或缺乏相关经验与知识的人不得使用本工具。**必须看管儿童，勿使其拿本工具玩耍。
- **本指导手册已经说明了预定用途。**如果配件或附件的使用、本工具的操作超出本指导手册建议的范围，则可能出现人身伤害和/或财产损失风险。
- **在切割附件可能触及暗线或其自身软线之处进行操作时，要通过绝缘握持面来握持工具。**切削附件碰到带电导线会使工具外露的金属零件带电从而使操作者受到电击。

**工具上的标志**



**警告！为降低伤害风险，使用前务必阅读使用手册。**

**电气安全**



本工具为双重绝缘，因此无须接地线。随时检查并确保电源电压与铭牌上的使用电压相符。

- **在缺乏监督的情况下，年轻人或体弱的人不得使用本工具。**必须看管孩子，不让他们玩耍本工具。
- **如果电源线损坏，必须由厂商或史丹利授权服务中心更换，以排除隐患。**

**符号**

本工具上可能有如下符号：

<b>V</b>	.....	伏特
<b>A</b>	.....	安培
<b>Hz</b>	.....	赫兹
<b>W</b>	.....	瓦特
<b>min</b>	.....	分钟
~	.....	交流电
—	.....	直流电
<b>n<sub>0</sub></b>	.....	空载速度
Ⓛ	.....	I级结构（带接地）
Ⓧ	.....	接地终端




□	.....	II 级结构
△	.....	安全警告标志
.../min	.....	每分钟转数或往复次数
sfpm	.....	平方英尺/分钟

## 部件名称 (图A)

1. 触发开关
2. 锁定按钮
3. 锯片锁定杆
4. 锯片
5. 导板保护套
6. 导板
7. 导板倾角控制杆
8. 速度控制轮
9. 锯切模式拨杆
10. LED指示灯


## 操作步骤

 进行以下任何操作之前，请确保工具开关关闭、拔下插头、锯片静止。使用过的锯片可能发烫。工具电源务必使用漏电保护器，额定剩余电流小于等于30毫安。

### 安装锯片 (图B)

- 向上推锯片锁定杆 (3)。
- 保持锯齿朝前，把锯片柄尽可能插入锯片座中。
- 释放锁定杆。
- 使用前，应检查锯片是否安装牢固。

### 调整导板，进行坡口锯切 (图C)

 导板松动或取下时，禁止使用本工具。导板左、右最大坡口斜角为45°。

### 设定坡口斜角：

- 把导板倾角控制杆 (7) 向外拉离工具，释放导板 (6)，如图C所示。
- 向前滑动导板，将其从0° 前挡块位置释放。
- 导板可向左、右倾斜，可在15°、30° 和45° 位置定位。
- 把导板设定到所需坡口角度。使用量角器检查角度准确性。
- 把导板倾角控制杆向内推，锁定导板。

将导板复位，进行直锯：

- 把导板倾角控制杆 (7) 向外拉离工具，释放导板 (6)，如图C所示。
- 转动导板至近似0°，然后向后拉导板，使0° 前挡块啮合。
- 把导板倾角控制杆向内推，锁定导板。


### 启动与停止

- 要启动工具，挤压触发开关 (1) 即可。
- 要持续运行，挤压触发开关后，按下锁定按钮 (2)。一旦按下锁定按钮，即可释放触发开关。
- 要使工具停止，释放触发开关即可。要使连续运行的工具停止，挤压触发开关即可解除锁定。

### 变速控制 (图D)

工具顶部设有速度控制轮 (8)。将控制轮从低速设定1转向高速设定7时，工具速度将增加。

### 锯切模式——轨道式或直线式 (图E)

 连接工具电源之前，请确保工具开关没有处于锁定状态。如果触发开关在锁定状态下连接工具电源，工具会立即启动，从而导致工具损坏或人身伤害。

本曲线锯设计有四种锯切模式，三种轨道式、一种直线式。轨道式锯片运动时，锯切强度大，可用于锯切软材料，例如木材、塑料等。轨道式锯切速度更快，但在材料上的截面不够光滑。在轨道模式下，锯片在切削冲程中除了上下运动外，还向前运动。注意：禁止使用轨道模式锯切金属或硬木。

### 锯切模式调整步骤：

- 将锯切模式拨杆 (9) 在四个模式0、1、2、3位置间移动。
- 0位是直线锯切模式。
- 1、2、3位是轨道模式。
- 拨杆从1到3变化时，锯切强度增加。3位时强度最大。

### LED指示灯

本工具配有LED指示灯，可以照亮锯切路线。

- 按下触发开关时，LED灯亮，松开触发开关，LED灯灭。

## 拆卸式导板保护套 (图F)

锯切易划伤表面时,例如层压板、胶合板、油漆面等,应使用防刮导板保护套(5)。本保护套还可在运输与存放过程中保护导板表面。

安装导板保护套时,请把导板(6)的前部放入导板保护套(5)的前部,然后放下曲线锯,如图F所示。导板保护套将牢固扣合到导板后部。

取下导板保护套时,请从底部抓住保护套的两个后侧凸台,从底板上拉下保护套。

## 最佳应用提示

### 锯切层压板

锯片在向上冲程时进行锯切,因此最接近导板的材料表面可能碎裂。

- 使用细齿锯片。
- 从工件的背面锯切。
- 为尽可能避免碎裂,可在工件的两侧垫废木板或硬纸板,与工件一同锯切。

### 锯切金属

- 锯切金属比锯切木材耗时要长得多,对此要有充分认识。
- 使用适合锯切金属的锯片。
- 锯切薄金属板时,在工件背面垫废木板,与工件一同锯切。
- 在锯切线路上抹油,既便于操作又能延长锯片寿命。锯铝材时,最好使用煤油。

## 纵向/圆周锯切 (图G、H)

使用纵向导板/圆导规(未提供,可另行购买),可轻松进行纵向/圆周锯切,而无须画铅笔线。

使用随配件导规提供的螺钉,按图G所示定位后,把螺钉拧到导板上,把导轨牢固固定。

纵向锯切时,按图G所示定位后,把电锯下的纵向导板向电锯任一侧滑动。根据所需横杆(10)与锯片的间距,给横杆定位并紧固螺钉。纵向锯切时,横杆应向下并顶住工件的直边,如图所示。

圆周锯切时,调整纵向导板,使锯片与纵向导板臂(11)上圆孔的距离等于所需半径,然后紧固螺钉。调整电锯位置,使圆孔对准圆周的圆心(请钻孔放置锯片,或从材料边缘向内锯切到所需位置)。电锯位置调好后,在圆孔中钉上一个小钉子。把纵向导板用作枢轴臂,开始锯圆周。锯圆周时,横杆应向上,如图H所示。

## 维护

本史丹利电动工具设计精良,可以长期运作,而只需极少的维护。要取得连续的令人满意的工作效果,需要您做合适的保养和定期的清洁。

- 定期使用软刷或干抹布清洁工具的通风口。
- 定期使用湿抹布清洁马达外壳。切勿使用任何研磨型或溶剂型清洁剂。禁止液体进入工具内,禁止将工具的任何部分浸入液体中。

制造商:百得美国公司

地址:美国

生产厂名称:百得(苏州)精密制造有限公司

产地:苏州工业园区苏虹中路200号出口加工区

## STEL345 VS JIGSAW (GERGAJI UKIR) ORBIT

### DATA TEKNIS

SPESIFIKASI	STEL345	
TEGANGAN INPUT	V	220–240
INPUT DAYA	W	650
KECEPATAN TANPA BEBAN	/min	800-3,200
PANJANG PUKULAN	mm	20
BERAT	kg	2.7

### PENGGUNAAN

Jigsaw (Gegaji Ukir) Orbit Stanley anda dirancang untuk menggergaji kayu, plastik dan lembaran logam.

### ATURAN KESELAMATAN UMUM



**Peringatan!** Bacalah semua petunjuk. Kegagalan untuk mematuhi semua petunjuk yang tercantum di bawah ini dapat mengakibatkan sengatan listrik, kebakaran dan/atau cedera berat.

#### Simpan semua peringatan dan petunjuk untuk acuan dimasa mendatang.

Istilah 'alat listrik' dalam semua peringatan yang tercantum di bawah merujuk kepada alat listrik yang dioperasikan oleh (menggunakan kabel) catu daya atau alat listrik yang dioperasikan baterai (tanpa kabel).

### SIMPANLAH PETUNJUK INI

#### 1. Area Kerja

- Jagalah agar area kerja selalu bersih dan beryangin cukup.** Area yang tidak rapi dan gelap mengundang kecelakaan.
- Jangan mengoperasikan alat listrik di lingkungan yang dapat meledak, seperti adanya cairan yang mudah terbakar, gas atau debu.** Alat listrik menimbulkan percikan api yang dapat membakar debu atau uap.
- Jauhkanlah anak-anak dan orang di sekitar anda selagi mengoperasikan sebuah alat listrik.** Pengalihan perhatian dapat membuat anda kehilangan kendali.

#### 2. Keselamatan Terkait Listrik

- Colokan alat listrik harus cocok dengan stopkontak. Jangan sekali-kali memodifikasi colokan dengan cara apapun.** Jangan gunakan colokan adapter apapun dengan alat listrik yang dihubungkan ke bumi (digrounding). Colokan yang

tidak dimodifikasi dan stopkontak yang cocok akan mengurangi risiko sengatan listrik.

- Hindari kontak tubuh dengan permukaan yang dihubungkan ke bumi atau digrounding, seperti pipa, radiator, kompor dan lemari es.** Risiko sengatan listrik meningkat jika tubuh anda terhubung ke bumi atau ter"grounding".
- Jangan biarkan alat listrik terpapar hujan atau kondisi basah.** Air yang memasuki alat listrik akan meningkatkan risiko sengatan listrik.
- Jangan menyalah-gunakan kabel. Jangan sekali-kali menggunakan kabel untuk membawa, menarik atau melepaskan colokan alat listrik dari stopkontak.** Jauhkan kabel dari panas, minyak, pinggiran benda tajam atau benda bergerak. Kabel yang rusak atau tersangkut meningkatkan risiko sengatan listrik.
- Ketika mengoperasikan sebuah alat listrik di luar rumah, gunakan kabel tambahan yang cocok untuk digunakan di luar rumah.** Penggunaan kabel yang cocok untuk digunakan di luar rumah mengurangi risiko sengatan listrik.

#### 3. Keselamatan Pribadi

- Tetaplah waspada, perhatikan apa yang anda lakukan dan gunakan akal sehat ketika mengoperasikan sebuah alat listrik. Jangan gunakan alat listrik ketika anda lelah atau berada di bawah pengaruh obat-obatan, alcohol atau meditasi.** Sedetik saja kehilangan kewaspadaan selagi mengoperasikan alat listrik dapat menimbulkan cedera tubuh yang serius.
- Gunakan alat keselamatan. Selalulah memakai pelindung mata.** Peralatan keselamatan seperti masker debu, sepatu keselamatan anti-slip, topi pengaman, atau pelindung telinga yang digunakan sesuai kondisi akan mengurangi cedera tubuh.
- Hindari mesin yang hidup secara tidak disengaja. Pastikan tombol dalam posisi off sebelum mencolokkan kabel ke catu daya.** Membawa alat listrik dengan jari anda pada tombol atau mencolokkan alat listrik yang tombolnya dalam posisi 'on' mengundang kecelakaan.
- Lepaskan kunci pengatur atau kunci inggris apapun sebelum menghidupkan alat listrik.** Sebuah kunci inggris atau kunci yang dibiarkan terhubung ke bagian yang berputar pada alat listrik dapat mengakibatkan cedera tubuh.
- Jangan berdiri terlalu jauh. Jagalah pijakan kaki yang tepat dan keseimbangan sepanjang waktu.** Ini memungkinkan kendali yang lebih baik atas alat listrik dalam situasi tak terduga.

- f. **Gunakan pakaian yang tepat. Jangan memakai pakaian yang longgar atau perhiasan. Jaga agar rambut, pakaian dan sarung tangan anda jauh dari bagian-bagian alat yang bergerak.** Pakaian longgar, perhiasan atau rambut panjang dapat tersangkut pada bagian-bagian yang bergerak.
- g. **Jika alat diberikan untuk dihubungkan ke penghisap debu dan fasilitas pengumpulan, pastikan alat tersebut terhubung dan digunakan dengan benar.** Penggunaan alat ini dapat mengurangi bahaya terkait debu.
4. **Penggunaan dan Perawatan Alat Listrik**
- a. **Jangan memaksakan penggunaan alat listrik. Gunakan alat listrik yang tepat untuk keperluan anda.** Alat listrik yang tepat akan melakukan pekerjaan lebih baik dan lebih aman pada tingkat dimana ia dirancang.
- b. **Jangan gunakan alat listrik jika tombolnya tidak dapat menghidupkan atau mematikan alat. Setiap alat listrik yang tak dapat dikendalikan dengan tombol adalah berbahaya dan harus diperbaiki.**
- c. **Lepaskan colokan dari catu daya sebelum melakukan suatu penyesuaian, mengganti aksesoris, atau menyimpan alat listrik.** Langkah keselamatan preventif ini mengurangi risiko hidupnya alat listrik secara tidak disengaja.
- d. **Simpan alat listrik yang ‘nganggur’ diluar jangkauan anak-anak dan jangan biarkan orang yang tidak terbiasa dengan alat listrik atau petunjuk ini mengoperasikan alat listrik.** Alat listrik berbahaya di tangan pengguna yang tak terlatih.
- e. **Rawatlah alat listrik. Periksa apakah ada bagian-bagian bergerak yang terlepas atau terikat, bagian-bagian yang patah dan kondisi lain yang dapat mempengaruhi operasi alat listrik.** Jika rusak, perbaikilah alat listrik sebelum digunakan. Banyak kecelakaan disebabkan oleh alat listrik yang tidak dirawat dengan baik.
- f. **Jaga agar alat pemotongan tetap tajam dan bersih. Alat pemotong yang dirawat dengan baik dengan bilah-bilah pemotong yang tajam cenderung tidak ‘mengikat’ dan lebih mudah dikendalikan.**
- g. **Gunakan alat listrik, aksesoris dan mata alat, dsb, sesuai dengan petunjuk ini dan dengan cara yang dimaksudkan untuk jenis alat listrik tertentu, dengan memperhitungkan**

**kondisi kerja dan pekerjaan yang akan dilakukan.** Penggunaan alat listrik untuk operasi yang berbeda dari yang dimaksudkan dapat mengakibatkan situasi berbahaya.

## 5. Servis

- a. **Servislah alat listrik anda oleh teknisi perbaikan yang berkompeten dengan menggunakan hanya sukucadang pengganti yang identik.** Ini akan memastikan bahwa keselamatan alat listrik itu terjaga.

## PERINGATAN KESELAMATAN ALAT LISTRIK TAMBAHAN



**PERINGATAN:** Peringatan keselamatan tambahan untuk jigsaw (gergaji ukir).

- **Peganglah alat listrik pada permukaan cengkram yang diisolasi ketika melakukan sebuah operasi dimana alat pemotong dapat menyentuh kabel tersembunyi atau kabelnya sendiri.** Alat pemotong yang menyentuh kabel yang ‘hidup’ dapat membuat bagian-bagian logam yang terbuka pada alat itu ‘hidup’ dan mengejutkan pemakai.
- **Gunakan klem atau cara lain yang praktis untuk mengamankan dan mendukung benda kerja ke platform yang stabil.** Memegang pekerjaan dengan tangan atau terhadap tubuh Anda membiarkannya tidak stabil dan dapat mengakibatkan hilangnya kendali.
- **Jauhkan tangan anda dari area pemotongan.** Jangan pernah menjangkau ke bawah benda kerja dengan alasan apapun. Jangan memasukkan jari atau jempol ke sekitar pisau dan penjepit pisau. Jangan menstabilkan gergaji dengan mencengkeram menggunakan sepatu.
- **Jagalah pisau tetap tajam.** Pisau tumpul atau rusak dapat menyebabkan gergaji berbelok atau terhenti di bawah tekanan. Selalu gunakan jenis pisau gergaji yang tepat untuk material benda kerja dan jenis pemotongan.
- **Ketika memotong pipa atau saluran, pastikan bahwa pemotongan tersebut terbebas dari air, kabel listrik, dll.**
- **Jangan menyentuh benda kerja atau pisau setelah pengoperasian alat.** Benda kerja atau pisau bisa menjadi sangat panas.
- **Sadarilah adanya bahaya tersembunyi, sebelum pemotongan ke dalam dinding, lantai atau langit-langit, periksalah lokasi kabel dan pipa.**

- **Pisau akan terus bergerak setelah melepaskan saklar.** Selalu matikan alat dan tunggu pisau gergaji sampai benar-benar berhenti sebelum meletakkan alat.



**PERINGATAN:** Kontak dengan, atau menghirup debu yang ditimbulkan dari aplikasi pemotongan dapat membahayakan kesehatan operator dan kemungkinan orang-orang yang berada disekitarnya. Kenakan masker yang dirancang secara khusus untuk perlindungan terhadap debu dan asap dan memastikan bahwa orang-orang di dalam atau yang memasuki area kerja juga dilindungi.

- Alat ini tidak dimaksudkan untuk digunakan oleh orang-orang (termasuk anak-anak) dengan kemampuan fisik, indera atau kecakapan mental yang kurang/lemah, atau kurang pengalaman dan pengetahuan, kecuali jika mereka telah diberikan pengawasan atau instruksi mengenai penggunaan alat oleh orang yang bertanggung jawab untuk keselamatannya. Anak-anak harus diawasi untuk memastikan bahwa mereka tidak bermain dengan alat.
- Penggunaan dimaksud dijelaskan dalam buku panduan ini. Penggunaan aksesoris atau tambahan atau kinerja dari setiap operasi dengan alat ini selain yang direkomendasikan dalam buku panduan ini dapat menyebabkan resiko cedera pribadi dan /atau kerusakan properti.

## LABEL PADA ALAT



**Peringatan!** Untuk mengurangi risiko cedera, pengguna harus membaca buku panduan.

## KESELAMATAN LISTRIK




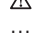


Alat ini berisolasi ganda; sehingga tidak diperlukan kabel bumi/arde. Selalu periksa bahwa catu daya sesuai dengan tegangan pada pelat utama.

- Alat ini tidak dimaksudkan untuk digunakan oleh anak muda atau orang yang lemah tanpa pengawasan. Anak-anak harus diawasi untuk memastikan mereka tidak bermain dengan alat.
- Jika kabel listrik rusak, maka harus diganti oleh produsen/distributor atau Pusat Layanan Stanley resmi untuk menghindari bahaya.

## SIMBOL-SIMBOL

Label pada alat anda terdapat simbol-simbol berikut:

V	.....	Voltase
A	.....	Amper
Hz	.....	Hertz
W	.....	Watt
Min	.....	Menit
~	.....	Arus bolak balik
==	.....	Arus searah
$n_0$	.....	tidak ada kecepatan pemuatan
	.....	Konstruksi Kelas I (pembumian)
	.....	Terminal pembumian
	.....	Konstruksi kelas II
	.....	Lambang pengingat keselamatan
...../min	.....	Menit perputaran atau gerak timbal balik
sfpm	.....	pijakan permukaan per menit

## FITUR-FITURE (GAMBAR A)

1. Tombol Pemicu
2. Tombol pengunji
3. Tuas pengunci pisau
4. Pisau/bilah gergaji
5. Lengan sepatu
6. Sepatu
7. Tuas penyerongan sepatu
8. Roda kendali kecepatan
9. Tuas tindakan pemotongan
10. Lampu LED

## OPERASI




Sebelum mencoba salah satu operasi berikut, pastikan bahwa alat dimatikan dan dicabut dan bahwa pisau gergaji telah berhenti. Bilah gergaji yang digunakan bisa panas. Alat ini selalu disuplai melalui perangkat arus sisa dengan arus sisa pengenalan 30 mA atau kurang.

## INSTALASI BILAH/PISAH (GAMBAR B)

- Dorong tuas pengunci pisau gergaji (3) ke atas.
- Dengan gigi menghadap ke depan, masukkan batang dari pisau gergaji ke dalam dudukannya sejauh ia akan berjalan.
- Lepaskan tuas.
- Periksa untuk memastikan pisau aman sebelum memotong.

## MENGATUR SEPATU UNTUK PEMOTONGAN SERONG (GAMBAR C)

 Jangan pernah menggunakan alat saat sepatu ada longgar atau lepas. Pelat sepatu dapat diatur dengan sudut siku kiri atau kanan hingga 45°.

### Untuk mengatur sudut bevel:

- Tarik tuas beveling sepatu (7) keluar dan menjauh dari gergaji untuk membuka sepatu (6) seperti yang ditunjukkan dalam **gambar C**.
- Geser sepatu kedepan untuk melepaskannya dari posisi berhenti positif 0°.
- Sepatu dapat dimiringkan ke kiri atau ke kanan dan memiliki kemiringan 15°, 30° dan 45°.
- Mengatur sepatu ke sudut bevel yang diinginkan. Gunakan busur derajat untuk memverifikasi keakuratan sudut.
- Dorong bagian belakang tuas beveling sepatu ke depan gergaji untuk mengunci sepatu.

### Untuk mereset sepatu untuk potongan lurus:

- Tarik tuas beveling sepatu (7) keluar dan menjauh dari gergaji untuk membuka sepatu (6) seperti yang ditunjukkan pada **gambar C**
- Putar sepatu ke suatu sudut kira-kira 0° dan kemudian tarik sepatu ke belakang untuk mengikat stop positif 0°.
- Dorong bagian belakang tuas beveling sepatu pada gergaji untuk mengunci sepatu.


## MENYALAKAN DAN MEMATIKAN

- Untuk menyalakan alat, tekan tombol pemicu (1).
- Untuk operasi terus-menerus, tekan tombol pemicu kemudian tombol kunci (2). Sekali tombol kunci ditekan, lepaskan tombol pemicu.
- Untuk mematikan alat, lepaskan tombol pemicu. Untuk mematikan alat, ketika beroperasi terus menerus, tekan pemicu dan kunci akan dilepaskan.

## KENDALI KECEPATAN VARIABEL (GAMBAR D)

Roda kendali kecepatan (8) terdapat di bagian atas gergaji. Kecepatan bertambah karena roda diubah dari pengaturan kecepatan rendah 1 hingga pengaturan kecepatan tinggi 7.

## TINDAKAN PEMOTONGAN – MELINGKAR ATAU LURUS (GAMBAR E)

 Periksa bahwa alat ini tidak terkunci sebelum menghubungkannya ke catu daya. Jika saklar pemicu terkunci ketika alat terhubung ke catu daya, maka ia akan segera menyala. Kerusakan alat atau cedera pribadi dapat terjadi.

Jigsaw (gergaji ukir) ini dilengkapi dengan empat tindakan pemotongan, tiga memutar (orbital) dan satu lurus. Tindakan memutar memiliki gerakan pisau lebih agresif dan dirancang untuk memotong bahan yang lembut seperti kayu atau plastik. Tindakan memutar memberikan pemotongan yang lebih cepat, tetapi dengan memotong kurang halus di seluruh material. Dalam tindakan memutar, pisau bergerak maju selama hentakan pemotongan selain gerakan naik dan turun.

**CATATAN:** Logam atau kayu keras tidak harus dipotong dengan tindakan memutar.

### Untuk menyatel tindakan pemotongan:

- Pindahkan tuas tindakan pemotongan (9) antara empat posisi pemotongan: 0, 1, 2, dan 3.
- Posisi 0 adalah pemotongan lurus.
- Posisi 1, 2, dan 3 adalah pemotongan memutar.
- Agresivitas pemotongan bertambah karena tuas disetel dari satu sampai tiga, dengan tiga menjadi pemotongan paling agresif.

## LAMPU LED

Jigsaw dilengkapi dengan lampu yang memproyeksikan pada jalur pemotongan.

- Lampu akan menyala ketika tombol/saklar pemicu ditekan dan akan mati bila tombol pemicu dilepaskan.

## LENGAN SEPATU YANG DAPAT DILEPASKAN (GAMBAR F)

Lengan sepatu yang tidak berpasangan (5) harus digunakan ketika memotong permukaan yang mudah tergores, seperti laminasi, veneer atau cat. Hal ini juga dapat digunakan untuk melindungi permukaan sepatu selama transportasi dan penyimpanan.

**Untuk menempatkan/mencantelkan lengan sepatu,** tempatkan bagian depan sepatu (6) ke bagian depan lengan sepatu (5) dan menurunkan jigsaw seperti yang ditunjukkan pada **gambar F**. Lengan sepatu akan mengklik secara aman di belakang sepatu.

**Untuk melepas lengan sepatu,** pegang lengan dari bawah pada dua tab belakang dan tarik ke bawah dan jauhkan dari sepatu.

## Petunjuk untuk Penggunaan Optimal Menggergaji laminasi

Karena pisau gergaji memotong pada hentakan keatas, dapat terjadi pecah pada permukaan paling dekat dengan pelat sepatu.

- Gunakan pisau gergaji yang bergigi halus.
- Gergajilah dari permukaan belakang benda kerja.
- Untuk meminimalkan terjadinya pecah, maka jepitkan sepotong kayu sisa atau papan keras pada kedua sisi benda kerja dan gergajikan pada apitan ini.

## Menggergaji Logam

- Sadarilah bahwa menggergaji logam membutuhkan lebih banyak waktu daripada menggergaji kayu.
- Gunakan pisau gergaji yang sesuai untuk menggergaji logam.
- Ketika memotong logam tipis, jepitlah dengan sepotong kayu bekas pada permukaan belakang benda kerja dan potong melalui apitan ini.
- Ratakan film minyak sepanjang jalur pemotongan yang dimaksudkan untuk operasi yang lebih mudah dan umur pisau yang lebih lama. Untuk memotong aluminium, minyak tanah lebih disukai.

## PEMOTONGAN MEROBEK / MELINGKAR ( Gambar G, H)

Pemotongan merobek dan melingkar tanpa garis pensil mudah dilakukan dengan panduan pagar RIP/lingkaran (tidak termasuk – tersedia dengan biaya tambahan). Menggunakan sekrup yang disediakan dengan panduan aksesoris, posisikan sebagaimana yang ditunjukkan pada **gambar G** dan ulir sekrup ke dalam sepatu untuk menjepit pagar secara aman.

Ketika merobek, posisikan sebagaimana yang ditunjukkan pada **gambar G** dan geser pagar RIP di bawah sekrup dari kedua sisi gergaji. Atur batang palang (10) dengan jarak yang diinginkan dari pisau dan kencangkan sekrup. Untuk perobekan, batang palang harus turun dan menyentuh tepi lurus dari benda kerja seperti yang ditunjukkan pada gambar.

Ketika memotong lingkaran, setel pagar RIP sehingga jarak dari pisau dengan lubang pada lengan pagar (11) berada pada radius yang diinginkan dan kencangkan sekrup. Tempatkan gergaji sehingga lubang pada lengan pagar melewati pusat lingkaran yang akan dipotong (lubang bor untuk pisau atau dipotong kedalam dari tepi bahan untuk mendapatkan pisau pada posisinya). Ketika gergaji diposisikan dengan benar, gerakkan paku kecil melalui lubang di lengan pagar. Menggunakan pagar RIP sebagai lengan poros, mulailah memotong lingkaran. Untuk pemotongan melingkar, batang palang harus dinaikkan, seperti yang ditunjukkan pada **gambar H**.

## PERAWATAN

Alat listrik Stanley Anda telah dirancang untuk beroperasi dalam waktu lama dengan perawatan minimal.

Pengoperasian terus–menerus yang memuaskan tergantung pada perawatan alat yang benar dan pembersihan teratur.

- Bersihkan secara teratur slot–slot ventilasi di dalam alat anda menggunakan kuas yang lembut atau kain kering.
- Bersihkan secara teratur rangka mesin menggunakan kain lembab. Jangan gunakan pembersih abrasif atau yang berbasis pelarut.

## STEL345

## เลื่อยฉลุไฟฟ้าแบบ VS ORBITAL

## ข้อมูลทางด้านเทคนิค


คุณลักษณะเฉพาะ		STEL345
แรงดันไฟอินพุต	โวลต์	220-240
กำลังไฟเข้า	วัตต์	650
ความเร็วขณะไม่มีภาระโหลด	/นาที	800-3,200
ความยาวช่วงชัก	มม.	20
น้ำหนัก	กก.	2.7

## วัตถุประสงค์ในการใช้งาน

เลื่อยฉลุไฟฟ้า Stanley ได้รับการออกแบบขึ้นมาสำหรับเลื่อยไม้ พลาสติก และแผงโลหะ

## คำแนะนำด้านความปลอดภัย

คำเตือนด้านความปลอดภัยทั่วไปจากการใช้เครื่องมือไฟฟ้า

 **คำเตือน!** กรุณาอ่านคำเตือนด้านความปลอดภัยและคำแนะนำทั้งหมด หากไม่ปฏิบัติตามคำแนะนำทั้งหมดที่ระบุไว้ด้านล่างนี้ อาจทำให้เกิดไฟฟ้าช็อต ไฟไหม้ และ/หรือการบาดเจ็บรุนแรงได้

เก็บเอกสารเกี่ยวกับคำเตือนและคำแนะนำทั้งหมดไว้ใช้เป็นข้อมูลอ้างอิงในอนาคต

คำว่า “เครื่องมือไฟฟ้า” ในคำเตือนทั้งหมดที่ระบุไว้ด้านล่างนี้ หมายถึง เครื่องมือไฟฟ้าที่ทำงานผ่านสายเมน (มีสาย) หรือเครื่องมือไฟฟ้าที่ทำงานโดยใช้แบตเตอรี่ (ไร้สาย)

## 1. ความปลอดภัยในบริเวณที่ทำงาน

- ก. รักษาความสะอาดและจัดให้มีแสงสว่างเพียงพอในบริเวณที่ทำงาน บริเวณที่คับแคบหรือมืด ทำให้เกิดอุบัติเหตุได้
- ข. ห้ามใช้เครื่องมือไฟฟ้าในบริเวณที่อาจเกิดการระเบิด เช่น เมื่อมีของเหลวไวไฟ แก๊ส หรือ ฝุ่นละออง เครื่องมือไฟฟ้าจะทำให้เกิดประกายไฟที่อาจทำให้เกิดฝุ่นหรือเปลวไฟ
- ค. ระวังไม่ให้เด็กเล็กและคนเดินผ่านไปมาเข้าใกล้ในขณะที่ใช้งานเครื่องมือไฟฟ้า สิ่งรบกวนอาจทำให้คุณเสียสมาธิได้

## 2. ความปลอดภัยทางไฟฟ้า


- ก. ปลั๊กไฟของเครื่องมือไฟฟ้าต้องเป็นชนิดเดียวกับตัวรับ ห้าม ดัดแปลงปลั๊กไม่ว่าจะด้วยวิธีใด ห้ามใช้ตัวแปลงกับเครื่องมือไฟฟ้าที่ต่อสายดิน ปลั๊กที่ไม่มีการดัดแปลงและตัวรับชนิดเดียวกันจะช่วยลดความเสี่ยงจากไฟฟ้าช็อต
  - ข. หลีกเลี่ยงการสัมผัสพื้นผิวที่ต่อสายดิน เช่น ท่อหม้อน้ำ เต่าทุบต้ม และตู้เย็น มีความเสี่ยงเพิ่มขึ้นที่จะถูกไฟดูดหากร่างกายเป็นสื่อเชื่อมต่อกับสายดิน
  - ค. อย่าให้เครื่องมือไฟฟ้าถูกฝนหรือเปียกน้ำ น้ำที่เข้าเครื่องมือไฟฟ้าจะทำให้ความเสี่ยงในการถูกไฟฟ้าดูดเพิ่มขึ้น
  - ง. ระวังอย่าให้สายไฟชำรุด ห้ามใช้สายไฟเพื่อหิ้ว ดึงหรือถอดปลั๊กเครื่องมือไฟฟ้า เก็บ สายไฟให้พ้นจากความร้อน น้ำมัน ของมีคม หรือชิ้นส่วนที่กำลังเคลื่อนที่ สายไฟที่ชำรุดหรือพันกันเป็นการเพิ่มความเสี่ยงจากไฟฟ้าช็อต
  - จ. เมื่อใช้เครื่องมือไฟฟ้ากลางแจ้ง ให้ใช้สายพ่วงที่เหมาะสมสำหรับการใช้งานกลางแจ้ง เพื่อลดความเสี่ยงที่จะเกิดไฟฟ้าช็อต
  - ฉ. หากไม่สามารถหลีกเลี่ยงการใช้เครื่องมือไฟฟ้าในบริเวณที่ชื้นและได้ให้ใช้อุปกรณ์ป้องกันไฟฟ้าสะสม (RCD) ที่จัดให้ ใช้ RCD เพื่อลดความเสี่ยงจากการเกิดไฟฟ้าช็อต
3. ความปลอดภัยส่วนบุคคล
- ก. ตื่นตัวและมีสมาธิกับสิ่งที่คุณกำลังทำพร้อมใช้สามัญสำนึกเมื่อใช้เครื่องมือไฟฟ้า ห้ามใช้เครื่องมือไฟฟ้าในขณะที่คุณกำลังเหนื่อยหรืออยู่ใต้อิทธิพลของยา แอลกอฮอล์หรือการรักษาบางอย่าง การขาดความระมัดระวังในการใช้เครื่องมือไฟฟ้าแม้ชั่วขณะหนึ่งอาจทำให้บาดเจ็บสาหัสได้
  - ข. ใช้อุปกรณ์ป้องกันส่วนบุคคล สวมแว่นตานิรภัยเสมอ อุปกรณ์ป้องกัน เช่น หน้ากากกันฝุ่น รองเท้านิรภัยกันลื่น หมวกนิรภัย หรืออุปกรณ์ป้องกันเสียงดังสำหรับสภาพที่เหมาะสมจะช่วยลดอาการบาดเจ็บส่วนบุคคล
  - ค. ป้องกันการสตาร์ทเครื่องโดยไม่ตั้งใจ สวิตช์ต้องอยู่ในตำแหน่งปิดก่อนเสียบปลั๊กของเครื่องเข้ากับแหล่งจ่ายไฟ และ/หรือแบตเตอรี่ ยกหรือหิ้วเครื่องมือ การยกเครื่องมือไฟฟ้าในขณะที่นิ้วอยู่ที่สวิตช์หรือใช้เครื่องมือไฟฟ้าที่สวิตช์เปิดอยู่ อาจทำให้เกิดอุบัติเหตุได้
  - ง. ถอดกฏูญปรับแต่งหรือประแจออกก่อนเปิดสวิตช์เครื่องมือไฟฟ้า ประแจหรือกฏูญที่เสียบคาไว้กับชิ้นส่วนที่กำลังหมุนของเครื่องมือไฟฟ้าอาจทำให้ได้รับบาดเจ็บได้




- จ. ห้ามขยับขณะใช้เครื่อง ยืนในท่าที่เหมาะสมและสมดุตลอดเวลา เพื่อช่วยในการควบคุมเครื่องมือไฟฟ้าได้ดียิ่งขึ้นในสถานการณ์ที่ไม่คาดคิด
- ฉ. แต่งกายให้เหมาะสม ห้ามสวมเสื้อผ้าหลวมหรือใส่เครื่องประดับ รวบผม ชายเสื้อ และถุงมือให้ห่างจากชิ้นส่วนที่กำลังหมุน เสื้อผ้าที่หลวม เครื่องประดับหรือผมที่ยาวอาจเข้าไปพันกับชิ้นส่วนที่กำลังหมุน
- ช. หากมีอุปกรณ์สำหรับเก็บฝุ่นและรวบรวมเศษไม้ ต้องเชื่อมต่ออุปกรณ์เหล่านั้นและนำมาใช้งานอย่างเหมาะสม การใช้อุปกรณ์เหล่านี้จะช่วยลดอันตรายที่เกี่ยวข้องกับฝุ่นได้
4. การใช้และการดูแลรักษาเครื่องมือไฟฟ้า
- ก. ห้ามฝืนใช้เครื่องมือไฟฟ้า เลือกใช้เครื่องมือไฟฟ้าที่ถูกต้อง ตรงกับลักษณะการใช้งานของคุณ เครื่องมือไฟฟ้าที่ถูกต้องย่อมทำงานได้ดีกว่าและปลอดภัยกว่าในอัตราที่เครื่องมือได้รับการออกแบบมา
- ข. ห้ามใช้เครื่องมือไฟฟ้าถ้าสวิตช์เปิดปิดเครื่องไม่ทำงาน เครื่องมือไฟฟ้าที่ไม่สามารถควบคุมผ่านสวิตช์ได้ มีอันตรายและต้องส่งซ่อม
- ค. ถอดปลั๊กของเครื่องมือไฟฟ้าออกจากแหล่งจ่ายไฟและ/หรือ แบตเตอรี่ก่อนทำการปรับแต่ง เปลี่ยนอุปกรณ์เสริม หรือจัดเก็บ มาตราการเพื่อความปลอดภัยเชิงการป้องกันนี้จะช่วยลดความเสี่ยงในการเปลอสตาร์ทเครื่องโดยไม่ได้ตั้งใจ
- ง. เก็บเครื่องมือไฟฟ้าที่พร้อมใช้งานไว้ให้พ้นมือเด็ก และไมอนุญาตให้บุคคลที่ไม่คุ้นเคยกับเครื่องมือไฟฟ้าหรือคำแนะนำเหล่านี้เป็นผู้ใช้เครื่องมือไฟฟ้าจะเป็นอันตรายหากอยู่ในมือผู้ใช้ที่ไม่มีความชำนาญ
- จ. บำรุงรักษาเครื่องมือไฟฟ้า ตรวจสอบการวางตำแหน่งหรือการต่อชิ้นส่วนที่เคลื่อนที่ จุดเชื่อมต่อชิ้นส่วนและสภาพอื่น ๆ ที่อาจส่งผลกระทบต่อการทำงานของเครื่องมือไฟฟ้า หากชำรุดเสียหาย ให้ส่งซ่อมก่อนนำมาใช้ อุบัติเหตุมากมายเกิดจากเครื่องมือไฟฟ้าที่มีระบบการดูแลรักษาไม่ดีพอ
- ฉ. เครื่องมือตัดต้องคมและสะอาดอยู่เสมอ เครื่องมือตัดที่ผ่านการดูแลรักษาที่เหมาะสมและมีขอบสำหรับงานตัดที่คม จะไม่ค่อยก่อปัญหาและควบคุมได้ง่าย
- ช. ใช้เครื่องมือไฟฟ้า อุปกรณ์เสริมและชุดอุปกรณ์ต่างๆ ให้สอดคล้องกับคำแนะนำเหล่านี้ โดยพิจารณาถึงสภาพการทำงานและงานที่ทำเป็นสำคัญ ใช้เครื่องมือไฟฟ้าทำงานอื่นนอกเหนือจากที่กำหนดไว้อาจทำให้เกิดอันตรายได้

5. การบริการ
- ก. ให้ช่างซ่อมที่มีความชำนาญเป็นผู้ซ่อมเครื่องมือและใช้อะไหล่ที่แท้เท่านั้น ซึ่งจะช่วยรับประกันได้ว่าเครื่องมือไฟฟ้ายังมีความปลอดภัยอยู่

## คำเตือนด้านความปลอดภัยเพิ่มเติมสำหรับเครื่องมือไฟฟ้า

 คำเตือน: คำเตือนด้านความปลอดภัยเพิ่มเติมสำหรับเลื่อยฉลุไฟฟ้า

- จับเครื่องมือไฟฟ้าที่พื้นผิวส่วนที่ใช้จับซึ่งมีฉนวนป้องกัน เมื่อใช้งานเครื่องและอุปกรณ์เสริมที่ใช้กับงานตัดอาจสัมผัสกับสายไฟที่ซ่อนอยู่หรือสายไฟของตัวเครื่องเอง อุปกรณ์เสริมที่ใช้กับงานตัดที่สัมผัสกับสายไฟ “ที่มีไฟฟ้า” อาจทำให้ส่วนของโลหะที่ถูกสัมผัส “มีไฟฟ้า” และช็อตผู้ใช้เครื่องได้
- ใช้แคลมป์ยึดหรือวิธีอื่น ๆ ที่ได้ผลเพื่อยึดและรองชิ้นงานบนแท่นที่มั่นคง การใช้มือจับหรือให้ชิ้นงานพียงกับลำตัวจะไม่มั่นคงและอาจทำให้สูญเสียการควบคุมได้
- วางมือให้ห่างจากบริเวณการตัด ห้ามเอื้อมมือลงไปใต้ชิ้นงานไม่ว่ากรณีใดก็ตาม ห้ามสอดนิ้วมือ หรือนิ้วหัวแม่มือเข้าไปในบริเวณใกล้เคียงของใบมีดตัดและแคลมป์ยึดใบมีด ห้ามยึดเลื่อยไม่ให้เคลื่อนที่โดยการยึดแผ่นรอง
- ใบเลื่อยต้องคมเสมอ ใบเลื่อยที่ชำรุดเสียหายหรือไม่คมอาจทำให้เลื่อยเปลี่ยนทิศทาง หรือสูญเสียการทรงตัวเนื่องจากมีความดัน ให้ใช้ใบเลื่อยชนิดที่เหมาะสมสำหรับวัสดุชิ้นงาน และประเภทของการตัด
- เมื่อตัดท่อน หรือท่อนร้อยสาย ต้องแน่ใจว่าไม่มีน้ำสายไฟ เป็นต้น อยู่ในท่อ
- ห้ามสัมผัสชิ้นงาน หรือใบเลื่อยทันทีหลังจากใช้งานเครื่องมือ เนื่องจากจะมีความร้อนสูงมาก
- ให้ระมัดระวังเกี่ยวกับอันตรายที่ซ่อนอยู่ เพราะฉนวนก่อนทำการตัดเข้าไปในผนัง ให้ตรวจหาตำแหน่งของสายไฟและท่อ
- ใบเลื่อยจะยังคงเคลื่อนที่อยู่ หลังจากปิดสวิตช์แล้ว ทุกครั้งที่ปิดสวิตช์เครื่องมือ ให้รอจนกว่าใบเลื่อยหยุดหมุนก่อนวางเครื่องมือลง

 คำเตือน: การสัมผัสกับ หรือการหายใจเอาฝุ่นละอองที่เกิดขึ้นจากการตัดเข้าไปอาจเป็นอันตรายต่อสุขภาพของผู้ปฏิบัติงานเอง และผู้ที่อยู่ในบริเวณที่ทำงานได้ ให้สวมหน้ากากป้องกันฝุ่นที่ออกแบบ

เป็นพิเศษสำหรับป้องกันฝุ่นและไอ และผู้ที่อยู่ในบริเวณที่ทำงานหรือที่เข้าไปในบริเวณที่ทำงานต้องสวมหน้ากากป้องกันด้วย

- เครื่องมือนี้ไม่ได้มีวัตถุประสงค์ให้นำมาใช้กับบุคคล (รวมถึงเด็ก) ที่มีสภาพร่างกายที่ไม่สมบูรณ์ มีปัญหาเกี่ยวกับการรับรู้สัมผัส หรือมีปัญหาด้านจิต หรือไม่มีประสบการณ์หรือความรู้เกี่ยวกับการใช้เครื่องมือ เว้นเสียแต่จะได้รับ การดูแลควบคุม หรือคำแนะนำที่เกี่ยวข้องกับการใช้งานอุปกรณ์จากบุคคลที่ดูแลรับผิดชอบด้านความปลอดภัยสำหรับพวกเขา ควรให้ความดูแลควบคุมเด็กเพื่อให้แน่ใจว่าเด็กไม่นำเครื่องมือไปเล่น
- วัตถุประสงค์ของการใช้งานจะอธิบายไว้ในคู่มือคำแนะนำฉบับนี้ การใช้งานอุปกรณ์เสริม หรือชิ้นส่วนประกอบที่ให้มากับเครื่องมือ หรือการใช้งานเครื่องมือในประสิทธิภาพการทำงานนอกเหนือจากที่แนะนำไว้ในคู่มือคำแนะนำฉบับนี้อาจก่อให้เกิดความเสี่ยงต่อการบาดเจ็บ และ/หรือความเสียหายต่อทรัพย์สินได้

## ฉลากต่างๆ บนเครื่องมือ



**คำเตือน!** การอ่านคู่มือการใช้งานเล่มนี้ เพื่อลดความเสี่ยงจากการได้รับบาดเจ็บ

## ความปลอดภัยทางไฟฟ้า



เครื่องมือนี้มีการหุ้มฉนวนสองชั้น เพราะฉะนั้นไม่จำเป็นต้องมีสายดิน หมั่นตรวจสอบกำลังไฟเพื่อให้ตรงกับแรงดันไฟฟ้าบนแผ่นแสดงพิกัด

- เครื่องมือนี้ไม่มีวัตถุประสงค์ให้เด็ก หรือบุคคลที่เจ็บป่วยนำมาใช้งานโดยไม่มีการดูแลควบคุม ควรให้ความดูแลควบคุมเด็กเพื่อให้แน่ใจว่าเด็กไม่นำเครื่องมือไปเล่น
- ถ้าสายไฟชำรุด จะต้องให้บริษัทผู้ผลิต หรือศูนย์บริการ Stanley ที่ได้รับการรับรองเป็นผู้ดำเนินการเปลี่ยนสายไฟให้เพื่อป้องกันอันตรายที่อาจเกิดขึ้นได้

## สัญลักษณ์

ฉลากบนเครื่องมือมีสัญลักษณ์ดังต่อไปนี้

V	.....โวลต์
A	.....แอมแปร์
Hz	.....เฮิรตซ์
W	.....วัตต์
min	.....นาที
~	.....ไฟกระแสสลับ
==	.....ไฟกระแสตรง
$n_0$	.....ความเร็วขณะไม่มีภาระโหลด
⚠	.....โครงสร้าง คลาส I (มีสายดิน)
⊕	.....ขั้วสายดิน
⊞	.....โครงสร้าง คลาส II
△	.....สัญลักษณ์เตือนด้านความปลอดภัย
.../นาที	.....จำนวนรอบหรือความเร็วการตัดต่อนาที
sfpm	.....ความเร็วที่ผิวหน่วยเป็นฟุตต่อนาที

## คุณสมบัติ (ภาพ A)

1. สวิตช์ตั้งงอน
2. ปุ่มล็อค
3. ก้านล็อคใบเลื่อย
4. ใบเลื่อย
5. ปลอกแผ่นรอง
6. แผ่นรอง
7. ก้านปรับเอียงแผ่นรอง
8. ปุ่มปรับความเร็ว
9. ก้านสั่งงานการตัด
10. ไฟ LED

## การใช้เครื่อง



ก่อนดำเนินการใดๆ ต่อไปนี้ จะต้องปิดสวิตช์เครื่องมือ ถอดปลั๊กออก และใบเลื่อยหยุดหมุนแล้ว ใบเลื่อยที่ถูกใช้งานจะมีความร้อน เครื่องมือจะได้รับกระแสไฟฟ้าฟีกัดตกค้างที่ 30 mA หรือน้อยกว่าผ่านทางอุปกรณ์กระแสไฟฟ้าตกค้างเสมอ

## การติดตั้งใบเลื่อย (ภาพ B)

- ดันก้านล็อคใบเลื่อย (3) ขึ้นด้านบน
- ใส่ด้ามใบเลื่อยเข้าไปในที่ยึดใบเลื่อยให้มากที่สุดเท่าที่ทำได้ โดยให้ซี่เลื่อยหันออกด้านหน้า
- ปลอยก้านล็อค
- ตรวจสอบเพื่อให้แน่ใจว่ายึดใบเลื่อยแน่นแล้วก่อนทำงานตัด

## การปรับแผ่นรองสำหรับงานตัดลมม (ภาพ C)

**!** ห้ามใช้เครื่องมือเมื่อแผ่นรองหลวม หรือถอด แผ่นรองออก สามารถดึงแผ่นรองไปที่มุมเฉียงด้านซ้าย หรือด้านขวาได้ไม่เกิน 45

### การตั้งค่านุมเอียง:

- ดึงก้านปรับเอียงแผ่นรอง (7) ออก และดึงออกจาก เลื่อยเพื่อปลดล็อคแผ่นรอง (6) ตามที่แสดงไว้ใน ภาพ C
- เลื่อนแผ่นรองไปทางด้านหน้าเพื่อปลดออกจาก ตำแหน่งตัวยึดด้านบวก 0
- สามารถเอียงแผ่นรองไปทางด้านซ้าย หรือด้านขวา ได้ และมีตำแหน่งหยุดที่ 15, 30 และ 45
- ตั้งแผ่นรองไปที่มุมเอียงที่ต้องการ ใช้ไมโปรแทรกเตอร์เพื่อตรวจสอบมุมอย่างถูกต้องแม่นยำ
- ดันก้านปรับเอียงแผ่นรองไปหาตัวเลื่อยเพื่อล็อค แผ่นรอง

### การรีเซ็ตแผ่นรองสำหรับงานตัดตรง:

- ดึงก้านปรับเอียงแผ่นรอง (7) ออก และดึงออกจาก ตัวเลื่อยเพื่อปลดล็อคแผ่นรอง (6) ตามที่แสดงไว้ใน ภาพ C
- หมุนแผ่นรองไปที่มุมประมาณ 0 จากนั้นดันแผ่นรองไปด้านหลังเพื่อล็อคตัวยึดด้านบวก 0
- ดันก้านปรับเอียงแผ่นรองกลับไปยังตัวเลื่อยเพื่อล็อค แผ่นรอง

## การเปิดปิดสวิตช์

- ในการเปิดสวิตช์เครื่องมือ ให้กดสวิตช์สั่งงาน (1)
- สำหรับการทำงานต่อไป ให้กดสวิตช์สั่งงาน แล้วกด ปุ่มล๊อค (2) ทันทีก่อนปล่อยปุ่มล๊อค จะเป็นการปลด สวิตช์สั่งงาน
- ในการปิดสวิตช์เครื่องมือ ให้ปล่อยสวิตช์สั่งงาน การ ปิดสวิตช์เครื่องมือ ขณะที่ใช้งานอยู่ ให้กดสวิตช์สั่ง งานซึ่งจะเป็นการปลดปุ่มล๊อค

## สวิตช์ความเร็วแบบปรับได้ (ภาพ D)

ปุ่มปรับความเร็ว (8) จะอยู่ที่ด้านบนของเลื่อย ความเร็ว จะเพิ่มขึ้นเมื่อหมุนปุ่มจากค่าความเร็วต่ำที่ 1 ไปยังค่า ความเร็วสูงที่ 7

## การตัด - แบบวงกลม หรือแบบตรง (ภาพ E)

**!** ตรวจสอบให้แน่ใจว่าเครื่องมือไม่ได้อยู่ที่ตำแหน่ง ON ก่อนต่อสายเข้ากับแหล่งจ่ายไฟ ถ้าสวิตช์สั่งงานอยู่ที่ ตำแหน่ง ON เครื่องมือจะทำงานทันทีเมื่อต่อสาย

เครื่องมือเข้ากับแหล่งจ่ายไฟ ซึ่งอาจทำให้เกิดความเสียหายกับเครื่องมือของคุณ หรืออาจทำให้ได้รับบาดเจ็บได้ เลื่อยฉลุลไฟฟ้านี้มีใบเลื่อยสำหรับการตัดสี่ประเภท คือ ใบเลื่อยสามใบสำหรับการตัดแบบวงกลม และอีกหนึ่ง ใบสำหรับการตัดตรง การเลื่อยแบบวงกลมจะมีการ เคลื่อนที่ของใบเลื่อยที่รุนแรง ซึ่งได้รับการออกแบบมา สำหรับวัสดุที่นุ่ม เช่น ไม้ หรือพลาสติก การเลื่อยแบบ วงกลม จะเป็นการตัดที่เรียบกว่า แต่มีการเคลื่อนที่ของ ใบเลื่อยผ่านวัสดุชิ้นงานที่รุนแรงกว่า สำหรับการเลื่อย แบบวงกลม ใบเลื่อยจะเคลื่อนที่ไปข้างหน้าในระหว่าง ช่วงชักการตัดนอกเหนือจากการเคลื่อนที่ขึ้นด้านบนและ ลงด้านล่าง

**หมายเหตุ:** โลหะ หรือไม้เนื้อแข็งไม่ควรทำการตัดแบบ วงกลม

### การปรับการตัด:

- เลื่อนก้านตัด (9) ระหว่างตำแหน่งตัดสี่ตำแหน่ง: 0, 1, 2 และ 3
- ตำแหน่ง 0 คือการตัดตรง
- Positions 1, 2 และ 3 คือการตัดแบบวงกลม
- ความรุนแรงของการตัดจะเพิ่มขึ้นเมื่อปรับก้านตัด จากตำแหน่งหนึ่งถึงตำแหน่งสาม ซึ่งตำแหน่งที่สาม คือตำแหน่งการตัดที่มีความรุนแรงสูงสุด

## ไฟ LED

เลื่อยฉลุลไฟฟ้านี้จะมีไฟซึ่งส่องไปบน แนวการตัด

- ไฟจะติดสว่างขึ้นเมื่อกดสวิตช์สั่งงาน และจะดับไป เมื่อปล่อยสวิตช์สั่งงาน

## ปลดก้านแผ่นรองแบบถอดได้ (ภาพ F)

ควรใช้ปลดก้านแผ่นรองแบบถอดได้เพื่อให้เกิดความเสียหาย (5) เมื่อตัดพื้นผิวที่เกิดรอยง่าย เช่น ลามิเนต ไม้อัด หรือสี ปลดก้านแผ่นรองประเภทนี้สามารถนำมาใช้เพื่อป้องกันพื้น ผิวของแผ่นรองในขณะที่ทำการขนส่ง และจัดเก็บได้ด้วย การติดตั้งปลดก้านแผ่นรอง ใส่ด้านหน้าของแผ่นรอง (6) เข้าในปลดก้านแผ่นรอง (5) และลดระดับเลื่อยฉลุลไฟฟ้านี้ ตามที่แสดงไว้ใน ภาพ F ปลดก้านแผ่นรองจะยึดเข้าที่เข้ากับ ด้านหลังของแผ่นรอง

การถอดปลดก้านแผ่นรอง จับปลดก้านจากส่วนล่างที่แห้ว บัด้านหลังทั้งสอง และดึงลงด้านล่างออกจากแผ่นรอง

## คำแนะนำสำหรับการใช้งานที่ดีที่สุด

### การเลื่อยลามิเนต

เนื่องจากใบเลื่อยจะตัดที่ช่วงชักขึ้นด้านบน เพราะฉะนั้น อาจมีเศษจากการตัด เกิดขึ้นบนพื้นผิวที่อยู่ติดกับแผ่น รงได้

- ใช้ใบเลื่อยที่มีซี่ละเอียด

- เลือยจากพื้นผิวด้านหลังของชิ้นงาน
- เพื่อให้มีเศษจากการเลื่อยน้อยที่สุด ให้ยึดชิ้นไม้หรือแผ่นกระดานที่มีความแข็งแรงประกบเข้ากับชิ้นงานทั้งสองด้าน แล้วทำการเลื่อย

### การเลื่อยโลหะ

- โปรดสังเกตว่าการเลื่อยโลหะจะใช้เวลาานกว่าการเลื่อยไม้
- ใช้ใบเลื่อยที่เหมาะสมสำหรับการเลื่อยโลหะ
- เมื่อตัดโลหะบาง ให้ยึดชิ้นไม้ประกบเข้ากับพื้นผิวด้านหลังของชิ้นงาน แล้วทำการตัด
- ทาเคลือบน้ำมันบางๆ บนแนวที่จะทำการตัดเพื่อให้การทำงานง่ายขึ้น และรักษาอายุการใช้งานของใบเลื่อย สำหรับการตัดอะลูมิเนียม ให้ใช้น้ำมันก๊าด

### การตัดขอบ/การตัดวงกลม (ภาพ G, H)

การตัดขอบและการตัดวงกลมโดยไม้ใช้เส้นดินสอสามารถทำได้อย่างง่ายดาย โดยใช้กรอบตัดขอบ/ตัวนำวงกลม (ไม่รวมเข้ากับเครื่องมือ ซึ่งต้องมีค่าใช้จ่ายเพิ่ม)

ใช้สกรูที่นำมาพร้อมกับคู่มืออุปกรณ์เสริม วางตามที่ได้แสดงไว้ใน ภาพ G และหมุนสกรูเข้ากับแผ่นรองเพื่อยึดกรอบตัดขอบให้แน่น

เมื่อทำการตัดขอบ ให้วางตามที่ได้แสดงไว้ใน ภาพ G และเลื่อนกรอบตัดขอบที่อยู่ใต้สกรูจากด้านใดด้านหนึ่งของตัวเลื่อย ตั้งคานขวาง (10) ที่ระยะที่ต้องการจากใบเลื่อย และขันสกรูให้แน่น สำหรับการตัดขอบ ควรเลื่อนคานขวางลงให้ชิดกับขอบของชิ้นงานตามที่ได้แสดงไว้ เมื่อทำการตัดวงกลม ให้ปรับกรอบตัดขอบโดยให้ระยะห่างจากใบเลื่อยถึงรูในแกนกรอบตัดขอบ (11) อยู่ที่รัศมีที่ต้องการ และขันสกรูให้แน่น วางเลื่อยโดยให้รูในแกนกรอบตัดขอบอยู่เหนือจุดตรงกลางของวงกลมที่จะทำการตัด (เจาะรูสำหรับใบเลื่อย หรือตัดวีดลที่ จะตัดโดยตัดจากขอบเข้าด้านในเพื่อให้สามารถใส่ใบเลื่อยเข้าไปในตำแหน่งได้) เมื่อจัดวางเลื่อยอย่างถูกต้องแล้ว ให้เลื่อนหมตขนาดเล็กผ่านรูในแกนกรอบตัดขอบ ใช้กรอบตัดขอบเป็นแกนหมุน แล้วเริ่มการตัดวงกลม สำหรับการตัดวงกลม ควรเลื่อนคานขวางขึ้นตามที่ได้แสดงไว้ใน ภาพ H

### การบำรุงรักษา

เครื่องมือไฟฟ้า Stanley ออกแบบมาเพื่อให้สามารถใช้งานได้อย่างยาวนาน ต่อเนื่องด้วยการบำรุงรักษาที่น้อยที่สุด การทำงานที่สร้างความพึงพอใจอย่างต่อเนื่องจะขึ้นอยู่กับ การดูแลรักษาที่เหมาะสมและการทำความสะอาดอย่างสม่ำเสมอ

- ให้ทำความสะอาดช่องระบายอากาศของเครื่องมือเป็นประจำโดยใช้แปรงขนนุ่ม หรือผ้าแห้ง
- ให้ทำความสะอาดตัวเรือนมอเตอร์เป็นประจำโดยใช้ผ้าเปียก ห้ามใช้ผงขัด หรือน้ำยาทำความสะอาดที่มีส่วนผสมของโซลเวนท์ อย่าให้มีของเหลวค้างอยู่ในเครื่อง ห้ามจุ่มส่วนใดๆ ของเครื่องมือลงในของเหลว

# STEL345 MÁY CỬA LỌNG VS

## THÔNG SỐ KỸ THUẬT


THÔNG SỐ	STEL345	
ĐIỆN ÁP ĐẦU VÀO	V	220-240
CÔNG SUẤT ĐẦU VÀO	W	650
TỐC ĐỘ KHÔNG TÀI	/phút	800-3,200
ĐỘ XOC TỐI ĐA	mm	20
TRỌNG LƯỢNG	kg	2.7

## MỤC ĐÍCH SỬ DỤNG

Máy cửa Stanley được thiết kế để cửa gỗ, nhựa và kim loại tấm.

## HƯỚNG DẪN AN TOÀN

Cảnh báo chung về an toàn các dụng cụ điện cầm tay

 **Cảnh báo!** Hãy đọc tất cả các cảnh báo và hướng dẫn về an toàn. Nếu không tuân theo tất cả các hướng dẫn có thể dẫn đến điện giật, cháy và/hoặc chấn thương nghiêm trọng.

**Giữ lại tất cả các cảnh báo và hướng dẫn để tham khảo về sau.**

Thuật ngữ "dụng cụ điện cầm tay" trong phần cảnh báo chỉ dụng cụ chạy bằng điện nguồn (có dây điện) hoặc dụng cụ chạy bằng pin (không có dây điện).

### 1. An toàn tại nơi làm việc

- a. **Giữ cho nơi làm việc luôn sạch sẽ và đủ ánh sáng.** Những khu vực bừa bộn hoặc thiếu ánh sáng dễ gây tai nạn.
- b. **Không vận hành dụng cụ điện cầm tay trong các môi trường dễ cháy nổ, như các môi trường có chất lỏng, khí hoặc bụi dễ cháy.** Dụng cụ điện cầm tay tạo ra các tia lửa điện có thể gây cháy bụi hoặc bốc khói.
- c. **Không cho trẻ em và những người không liên quan lại gần khi đang vận hành dụng cụ điện cầm tay.** Những lúc xao lãng có thể khiến bạn mất kiểm soát.

### 2. An toàn điện

- a. **Phích cắm dụng cụ điện cầm tay phải vừa với ổ cắm. Không được sửa đổi phích cắm dưới bất kỳ hình thức nào.** Không được sử dụng các phích

cắm tiếp hợp với những dụng cụ điện cầm tay có nổi đất. Phích cắm nguyên gốc và ổ cắm phù hợp sẽ giảm nguy cơ bị điện giật.

- b. **Tránh tiếp xúc với các bề mặt được nối đất như đường ống, lò sưởi, bếp nướng và tủ lạnh.** Nguy cơ bị điện giật sẽ cao hơn nếu cơ thể bạn nối đất.
- c. **Không được để các dụng cụ điện cầm tay ngoài trời mưa hoặc ở nơi ẩm ướt.** Nước vào trong dụng cụ điện cầm tay sẽ làm tăng nguy cơ bị điện giật.
- d. **Không sử dụng dây điện vào các mục đích khác. Tuyệt đối không sử dụng dây điện để mang, kéo hoặc rút phích cắm dụng cụ điện cầm tay.** Để dây điện cách xa nguồn nhiệt, dầu mỡ, các cạnh sắc hoặc các bộ phận chuyển động. Dây điện bị hỏng hoặc bị vướng sẽ làm tăng nguy cơ bị điện giật.
- e. **Khi vận hành dụng cụ điện cầm tay ngoài trời, hãy sử dụng dây nối dài phù hợp để sử dụng ngoài trời.** Sử dụng dây điện phù hợp để sử dụng ngoài trời sẽ giảm nguy cơ bị điện giật.
- f. **Nếu bắt buộc phải vận hành dụng cụ điện cầm tay ở nơi ẩm ướt, hãy sử dụng nguồn được bảo vệ bởi thiết bị ngắt mạch tự động (RCD).** Sử dụng RCD giúp giảm nguy cơ bị điện giật

### 3. An toàn cá nhân

- a. **Hãy tập trung, chú ý vào những gì bạn đang làm và tỉnh táo khi vận hành Dụng cụ điện cầm tay. Không được sử dụng Dụng cụ điện cầm tay khi bạn đang mệt hoặc uống rượu bia, sử dụng ma túy hoặc chất kích thích.** Một khoảnh khắc mất tập trung trong khi vận hành Dụng cụ điện cầm tay có thể dẫn đến chấn thương cá nhân nghiêm trọng.
- b. **Sử dụng trang thiết bị bảo hộ cá nhân. Luôn đeo kính bảo hộ.** Thiết bị bảo hộ như mặt nạ chống bụi, giày chống trượt, mũ cứng, hoặc bảo vệ tai nếu được sử dụng ở những điều kiện phù hợp sẽ giảm các chấn thương cá nhân.
- c. **Tránh bật máy không chủ định. Đảm bảo rằng công tắc ở vị trí tắt trước khi nối với nguồn điện và/hoặc pin, khi cầm hoặc mang dụng cụ.** Có thể xảy ra tai nạn nếu đặt ngón tay trên công tắc khi đang cầm dụng cụ điện cầm tay hoặc công tắc của dụng cụ điện cầm tay đang bật khi sạc pin.
- d. **Hãy tháo hết khóa điều chỉnh hoặc cờ lê trước khi bật Dụng cụ điện cầm tay.** Cờ lê hoặc khóa vẫn để ở bộ phận quay của Dụng cụ điện cầm tay có thể dẫn đến chấn thương cá nhân.
- e. **Không được với tay. Hãy đứng ở tư thế thích hợp và luôn giữ thăng bằng.** Điều đó giúp kiểm soát Dụng cụ điện cầm tay tốt hơn khi gặp các tình huống không lường trước.

- f. **Mặc quần áo phù hợp.** Không mặc quần áo rộng hoặc đeo đồ trang sức. Giữ cho tóc, quần áo và găng tay tránh xa khỏi các bộ phận chuyển động. Quần áo rộng, đồ trang sức hoặc tóc dài có thể bị mắc vào các bộ phận chuyển động.
- g. **Nếu cần dụng cụ được cung cấp để nối các phurong tiện hút hoặc gom bụi, hãy dùng bảo những dụng cụ này được nối và sử dụng đúng cách.** Sử dụng các dụng cụ này có thể giảm các nguy cơ liên quan đến bụi.

**4. Sử dụng và bảo quản dụng cụ điện cầm tay**

- a. **Sử dụng dụng cụ điện cầm tay phù hợp.** Sử dụng dụng cụ điện cầm tay phù hợp cho ứng dụng của bạn. Dụng cụ điện cầm tay phù hợp sẽ giúp cho công việc tốt hơn và an toàn hơn theo đúng tốc độ được thiết kế..
- b. **Không sử dụng dụng cụ điện cầm tay nếu công tắc không bật và tắt được.** Những dụng cụ điện cầm tay không điều khiển được bằng công tắc đều rất nguy hiểm và cần phải được sửa chữa.
- c. **Rút phích cắm dụng cụ điện cầm tay khỏi nguồn điện và/hoặc pin trước khi thực hiện điều chỉnh, thay phụ kiện hoặc cất giữ dụng cụ.** Các biện pháp an toàn phòng ngừa này giúp giảm nguy cơ khởi động dụng cụ điện cầm tay một cách tình cờ.
- d. **Bảo quản các dụng cụ điện cầm tay không sử dụng tránh xa tầm tay trẻ em và không cho phép những người không quen với dụng cụ điện cầm tay hoặc những hướng dẫn này vận hành dụng cụ điện cầm tay.** Dụng cụ điện cầm tay sẽ rất nguy hiểm khi được những người chưa được huấn luyện sử dụng.
- e. **Bảo trì dụng cụ điện cầm tay.** Kiểm tra các bộ phận di chuyển xem có bị lệch hoặc kẹt không, các bộ phận có bị vỡ không và bất kỳ tình trạng nào khác có thể ảnh hưởng đến việc vận hành dụng cụ. Nếu dụng cụ điện cầm tay bị hỏng, hãy sửa chữa trước khi sử dụng. Rất nhiều tai nạn xảy ra do công tác bảo trì các dụng cụ điện cầm tay kém.
- f. **Đảm bảo các dụng cụ cất luôn sắc và sạch sẽ.** Các dụng cụ cất được bảo trì đúng cách với các cạnh cắt sắc sẽ ít bị kẹt hơn và dễ điều khiển hơn.
- g. **Sử dụng dụng cụ điện cầm tay, các phụ kiện và mũ khoan... theo các chỉ dẫn này, chú ý đến điều kiện làm việc và công việc cần thực hiện.** Sử dụng dụng cụ điện cầm tay sai mục đích có thể gây nguy hiểm.

**5. Bảo dưỡng**

- a. **Hãy mang dụng cụ điện cầm tay đi bảo dưỡng bởi nhân viên bảo dưỡng có chuyên môn, chỉ sử dụng các phụ kiện thay thế chính hãng.** Điều này giúp đảm bảo độ an toàn của dụng cụ điện cầm tay đó.

**CẢNH BÁO KHÁC VỀ AN TOÀN DỤNG CỤ ĐIỆN CẦM TAY**



**CẢNH BÁO:** Các cảnh báo bổ sung về an toàn cho máy cưa.

- ♦ **Chỉ cầm dụng cụ điện cầm tay ở phần bề mặt tay cầm cách điện, khi thực hiện thao tác nơi mà phụ kiện cắt có thể tiếp xúc với hệ thống dây điện chìm hoặc dây điện của chính dụng cụ.** Phụ kiện cắt tiếp xúc với dây điện "có điện" có thể truyền điện cho các bộ phận kim loại hở của dụng cụ điện cầm tay và có thể khiến nhân viên vận hành bị điện giật.
- ♦ **Dùng kẹp hay áp dụng một biện pháp thực tế khác nhằm bảo đảm và cố định phôi gia công trên bàn máy.** Giữ phôi bằng tay hay dựa vào người bạn đều làm cho phôi không vững và có thể dẫn tới mất kiểm soát.
- ♦ **Tay phải để xa vùng cưa.** Tuyệt đối không với xuống dưới phôi gia công trong bất kỳ trường hợp nào. Không cho ngón tay hoặc ngón tay cái vào phí dưới lưỡi cưa hoặc kẹp lưỡi cưa đang chuyển động. Không cố định máy cưa bằng cách kẹp bộ phận đế.
- ♦ **Giữ cho lưỡi cưa luôn sắc.** Lưỡi cưa bị cùn hoặc bị hỏng có thể khiến máy cưa bị xiên hoặc ngừng chạy khi gặp áp lực. Phải luôn sử dụng loại lưỡi cưa phù hợp với vật liệu phôi gia công hoặc loại cưa.
- ♦ **Khi cưa ống hoặc đường ống, phải đảm bảo rằng chúng không chứa nước, dây điện, ...**
- ♦ **Không chạm vào phôi gia công hoặc lưỡi cưa ngay sau khi vận hành xong dụng cụ.** Có thể chúng sẽ rất nóng.
- ♦ **Hãy cảnh giác với các nguy cơ tiềm ẩn, trước khi cưa vào tường, sàn hay trần nhà, hãy kiểm tra vị trí lắp đặt đường dây và đường ống.**
- ♦ **Lưỡi cưa vẫn tiếp tục chuyển động sau khi nhà công tác.** Phải luôn tắt dụng cụ và chờ cho lưỡi cưa dừng hẳn trước khi đặt dụng cụ xuống.



**CẢNH BÁO:** Việc tiếp xúc, hoặc hít phải bụi từ công tác cưa có thể gây nguy hiểm đến sức khỏe của người vận hành hoặc những người đứng gần. Hãy đeo mặt nạ chống bụi được thiết kế riêng để chống bụi và khói và phải đảm bảo rằng những cá nhân trong khu vực làm việc đều được bảo vệ.

- ♦ Không cho phép những cá nhân (bao gồm cả trẻ em) bị suy giảm năng lực thể chất, trí tuệ hoặc cảm giác, hay người thiếu kinh nghiệm và kiến thức sử dụng dụng cụ điện cầm tay này, trừ khi có sự giám

sát hoặc hướng dẫn của người chịu trách nhiệm về vấn đề an toàn của những cá nhân này. Phải giám sát để đảm bảo trẻ không nghịch các thiết bị này.

- ◆ Mục đích sử dụng được mô tả trong tài liệu hướng dẫn này. Việc sử dụng bất kỳ phụ kiện hay đồ gá hoặc thực hiện vận hành dụng cụ này ngoài các mục đích sử dụng khuyến nghị trong tài liệu hướng dẫn này có thể dẫn đến nguy cơ chấn thương cá nhân và/hoặc hư hỏng tài sản.

## KÝ HIỆU TRÊN MÁY



**Cảnh báo!** Để giảm nguy cơ chấn thương, người sử dụng phải đọc sổ tay hướng dẫn.

## AN TOÀN ĐIỆN



Do dụng cụ này được cách điện kép nên không cần dây nối đất. Luôn kiểm tra xem nguồn điện có tương ứng với điện thế trên biển thông số định mức hay không.

- ◆ Thiết bị này không được thiết kế cho người thiếu kinh nghiệm hoặc không đủ sức khỏe sử dụng mà không có sự giám sát. Phải giám sát để đảm bảo trẻ không nghịch thiết bị này.
- ◆ Nếu dây nguồn bị hỏng, dây nguồn phải được thay bởi nhà sản xuất hoặc Trung tâm Bảo hành được ủy quyền của Stanley để tránh gây nguy hiểm.

## KÍ HIỆU

V	.....Vôn
A	.....Ampe
Hz	.....Héc
W	.....Watt
Min.	.....Phút
~	.....Dòng xoay chiều
—	.....Dòng một chiều
n <sub>0</sub>	.....Tốc độ không tải
⚠	.....Cấu tạo loại I (nối đất)
⚡	.....Dây nối đất
⊠	.....Cấu tạo cách điện kép
⚠	.....Ký hiệu cảnh báo an toàn
.../phút.....	Số vòng quay hoặc số lần qua lại trong một phút
sfpm.....	feet mặt/phút

## ĐẶC ĐIỂM (HÌNH A)

1. Công tắc khởi động
2. Nút khóa công tắc
3. Cần khóa lưới cửa

4. Lưỡi cưa
5. Lót đế
6. Đế
7. Cần nghiêng đế
8. Con lăn điều khiển tốc độ
9. Cần điều khiển kiểu cưa
10. Đèn LED

## VẬN HÀNH



Phải đảm bảo rằng dụng cụ được tắt và đã rút phích cắm và lưới cửa không hoạt động trước khi tiến hành bất kỳ thao tác vận hành sau đây: Lưới cửa sử dụng có thể bị nóng. Dụng cụ luôn được cấp nguồn qua thiết bị ngắt mạch tự động có dòng điện dư định mức tối đa là 30 mA.

## LẮP ĐẶT LƯỚI CỬA (HÌNH B)

- ◆ Ấn cần khóa lưới cửa (3) lên.
- ◆ Lắp trực lưới cửa hết cỡ vào kẹp lưới cửa sao cho rãnh cửa hướng ra phía trước.
- ◆ Nhả cần.
- ◆ Kiểm tra đảm bảo rằng lưới cửa đã được lắp chắc chắn trước khi cưa.

## ĐIỀU CHỈNH ĐỂ CỬA VÁT (HÌNH C)



Tuyệt đối không sử dụng dụng cụ khi để bị lỏng hoặc đã bị tháo ra. Tấm đế có thể được lắp nghiêng sang bên trái hoặc bên phải một góc lên tới 45°.

## Điều chỉnh góc nghiêng:

- ◆ Kéo cần nghiêng đế (7) ra xa khỏi lưới cửa để tháo đế (6) như trong **hình C**
- ◆ Trượt đế về phía trước để tháo ra từ vị trí dừng cố định 0°.
- ◆ Có thể nghiêng đế sang bên trái hoặc bên phải rồi cố định ở 1 góc 15°, 30° và 45°.
- ◆ Cố định đế theo góc nghiêng mong muốn. Sử dụng thước đo độ để xác định góc một cách chính xác.
- ◆ Ấn cần nghiêng đế ra sau hướng về phía lưới cửa để khóa đế lại.

## Lắp lại đế để cưa thẳng:

- ◆ Kéo cần nghiêng đế (7) ra xa khỏi lưới cửa để tháo đế (6) như trong **hình C**.
- ◆ Xoay đế về một góc xấp xỉ 0° và kéo đế ra sau về vị trí dừng cố định 0°.
- ◆ Ấn cần nghiêng đế ra sau hướng về phía lưới cửa để khóa đế lại.


## BẬT VÀ TẮT

- ◆ Để bật dụng cụ lên, ấn công tắc khởi động(1).
- ◆ Nếu muốn vận hành liên tục, hãy ấn công tắc khởi động và nhấn nút khóa công tắc (2). Nhà công tắc khởi động ra khi đã ấn nút khóa công tắc.
- ◆ Để tắt dụng cụ, hãy nhà công tắc khởi động. Ở chế độ vận hành liên tục, để tắt dụng cụ, hãy ấn công tắc khởi động và khóa sẽ nhả ra.

## ĐIỀU KHIỂN CÁC MỨC TỐC ĐỘ (HÌNH D)

Con lăn điều khiển tốc độ (8) nằm ở trên đỉnh máy cưa. Tăng tốc độ bằng cách trượt con lăn từ mức 1 tốc độ thấp đến mức 7 tốc độ cao.

## Kiểu CƯA - THEO QUỸ ĐẠO HOẶC THẲNG (HÌNH E)

 Kiểm tra đảm bảo công tắc dụng cụ không ở vị trí ON trước khi kết nối với nguồn điện. Nếu công tắc khởi động đang ở vị trí ON khi kết nối dụng cụ với nguồn điện, ngay lập tức dụng cụ sẽ khởi động. Việc này có thể khiến dụng cụ bị hỏng hoặc gây chấn thương cá nhân.

Máy cưa được trang bị bốn kiểu cưa, ba kiểu cưa theo quỹ đạo và một kiểu cưa thẳng. Kiểu cưa theo quỹ đạo có chuyển động lưỡi cưa linh hoạt hơn và được thiết kế để cưa các vật liệu mềm như gỗ hoặc nhựa. Kiểu cưa theo quỹ đạo cưa nhanh hơn như bề mặt cưa trên vật liệu lại kém mịn hơn. Ở kiểu theo quỹ đạo, ngoài việc lưỡi cưa chuyển động lên xuống, nó còn chuyển động ra sau trong suốt đường cưa.

**LƯU Ý:** Tuyệt đối không áp dụng kiểu cưa quỹ đạo cho kim loại hoặc gỗ cứng.

### Điều chỉnh kiểu cưa:

- ◆ Di chuyển cần điều khiển kiểu cưa (9) giữa bốn vị trí cưa: 0, 1, 2, và 3.
- ◆ Vị trí 0 là kiểu cưa thẳng.
- ◆ Vị trí 1, 2, và 3 là kiểu cưa theo quỹ đạo.
- ◆ Độ cưa linh hoạt tăng lên khi điều chỉnh cần từ mức một đến mức ba, trong đó mức ba là linh hoạt nhất.

## ĐÈN LED

Máy cưa được trang bị đèn chiếu lên đường cưa.

- ◆ Đèn sẽ sáng khi ấn công tắc khởi động và tắt khi nhà công tắc này.

## LÓT ĐẾ CÓ THỂ THÁO RA ĐƯỢC (HÌNH F)

Nên sử dụng lót đế (5) không bị xây xát khi cưa bề mặt để bị xước, như tấm mỏng, gỗ dán hoặc sơn. Cũng có thể sử dụng lót đế để bảo vệ bề mặt đế trong quá trình vận chuyển và bảo quản.

**Để lắp lót đế,** hãy đặt phần trước đế (6) và phần trước lót đế (5) và hạ lưỡi cưa xuống như trong **hình F**. Lót đế sẽ được lắp chắc chắn vào phần sau của đế.

**Để tháo lót đế,** cầm lót từ phía dưới ở hai mấu phía sau và kéo xuống ra khỏi đế.

## Gợi ý để sử dụng tối ưu cưa các tấm mỏng

Khi lưỡi cưa cưa ngược lên, bề mặt sát tấm để có thể bị bong tróc.

- ◆ Hãy sử dụng lưỡi cưa có răng cưa nhỏ.
- ◆ Cưa từ mặt sau của phi gia công.
- ◆ Hãy kẹp một miếng gỗ nhỏ hoặc gỗ ép ở hai mặt của phi gia công và cưa qua kết cấu lớp này.

## Cưa kim loại

- ◆ Cần lưu ý rằng cưa kim loại mất rất nhiều thời gian hơn so với cưa gỗ.
- ◆ Sử dụng lưỡi cưa phù hợp để cưa kim loại.
- ◆ Khi cưa kim loại mỏng, hãy kẹp một miếng gỗ nhỏ vào mặt sau của phi gia công và cưa qua kết cấu lớp này.
- ◆ Bôi một lớp dầu dọc đường định cưa để thực hiện dễ dàng hơn và kéo dài tuổi thọ của lưỡi cưa hơn. Tốt hơn là nên sử dụng dầu hỏa để cưa nhôm.

## CƯA DỌC / CƯA THEO ĐƯỜNG TRÒN (HÌNH G, H)

Dễ dàng thực hiện cưa dọc và cưa theo đường tròn mà không cần vạch bút chì với tấm chắn dọc/ thanh dẫn theo đường tròn (không cung cấp kèm theo - cần trả phụ phí để mua).

Sử dụng vít cung cấp kèm theo thanh dẫn phụ kiện, vị trí như trong **hình G** và vặn vít vào để để kẹp tấm chắn một cách chắc chắn.

Khi cưa dọc, đặt vị trí như trong **hình G** và trượt tấm chắn dọc dưới vít từ mặt kia của máy cưa. Lắp thanh ngang (10) ở khoảng cách mong muốn với lưỡi cưa và xiết chặt vít. Để cưa dọc, thanh ngang nên tỉ xuống cạnh thẳng của phi gia công như trong hình.



Khi cưa theo đường tròn, hãy điều chỉnh tấm chắn dọc sao cho khoảng cách từ lưỡi cưa tới lỗ trong cần tấm chắn (11) có bán kính như mong muốn và xiết chặt vít lại. Đặt máy cưa sao cho lỗ trong cần tấm chắn ở phía trên tâm đường tròn định cưa (khoan lỗ cho lưỡi cưa hoặc cưa vào cạnh vật liệu để đặt lưỡi cưa vào đúng chỗ). Khi đã đặt cưa vào đúng vị trí, hãy đóng một chiếc đinh nhỏ vào lỗ của cần tấm chắn. Sử dụng tấm chắn dọc làm cần trục quay, bắt đầu cưa theo đường tròn. Để cưa theo đường tròn, thanh ngang nên được đặt lên, như trong **hình H**.

## BẢO TRÌ

Dụng cụ điện cầm tay của Stanley được thiết kế để vận hành trong thời gian dài và ít phải bảo trì nhất. Dụng cụ vận hành liên tục theo ý muốn tùy thuộc vào việc bảo quản dụng cụ đúng cách và vệ sinh thường xuyên.

- ◆ Thường xuyên lau chùi các khe thông gió trong dụng cụ bằng chổi mềm hoặc khăn khô.
- ◆ Thường xuyên lau chùi vỏ động cơ bằng khăn ẩm. Không dùng chất tẩy rửa có chứa dung môi hay chất mài mòn. Tuyệt đối không để chất lỏng lọt vào bên trong dụng cụ và không bao giờ ngâm các bộ phận của dụng cụ vào chất lỏng.





