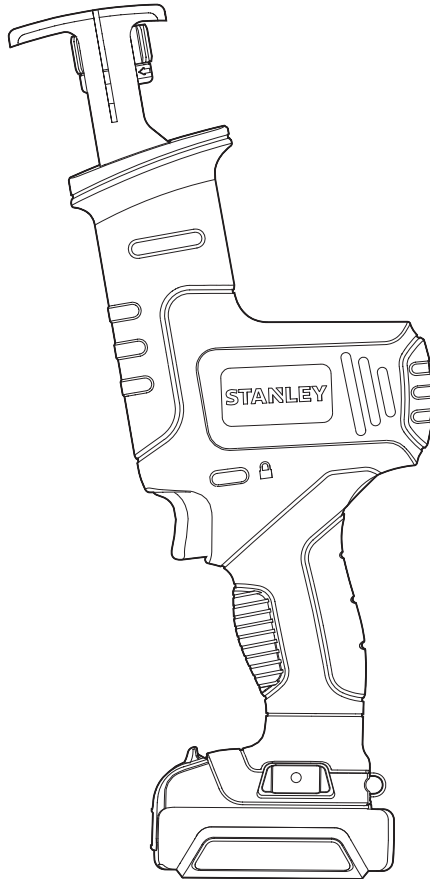


STANLEY



SCR121

English	5
简体中文	14
繁體中文	22
Bahasa Indonesia	30
ภาษาไทย	40
Tiếng Việt	49

Figure 1

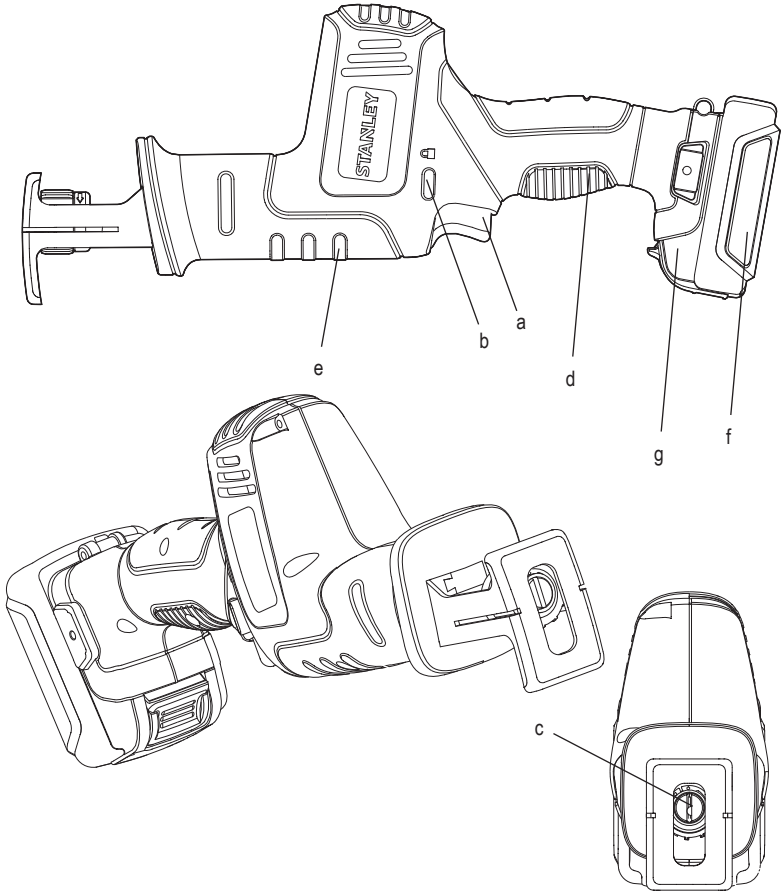


Figure 2

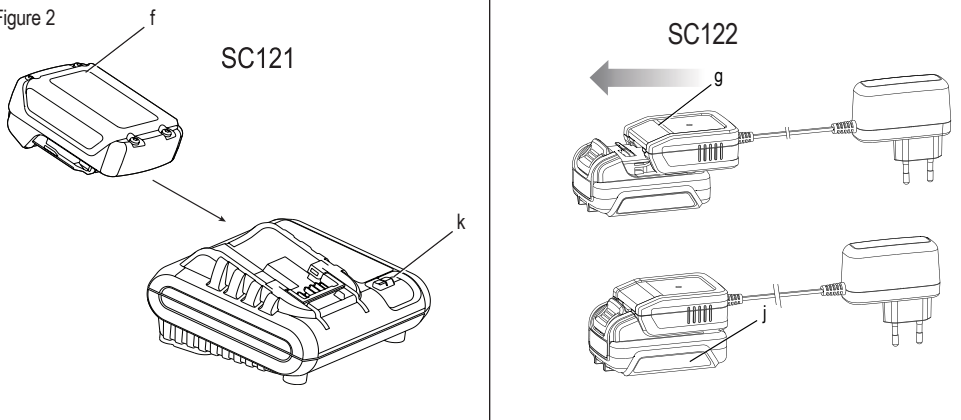


Figure 3

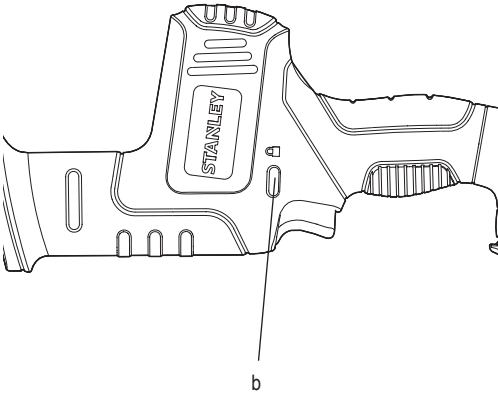


Figure 4

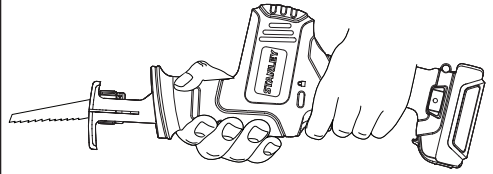


Figure 5

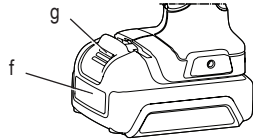
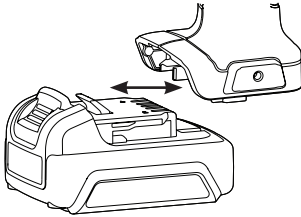


Figure 6

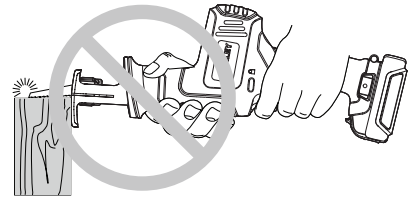
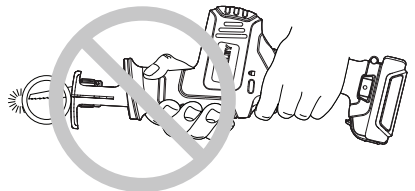
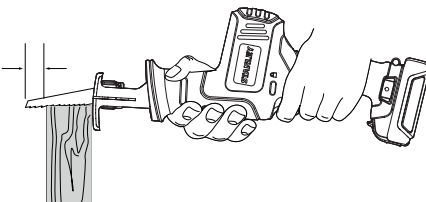
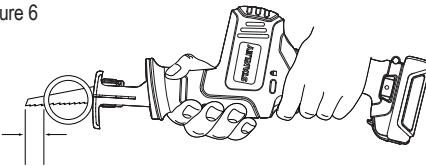


Figure 7

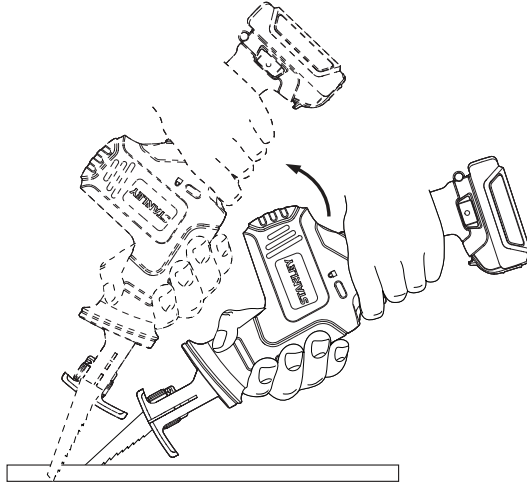


Figure 8

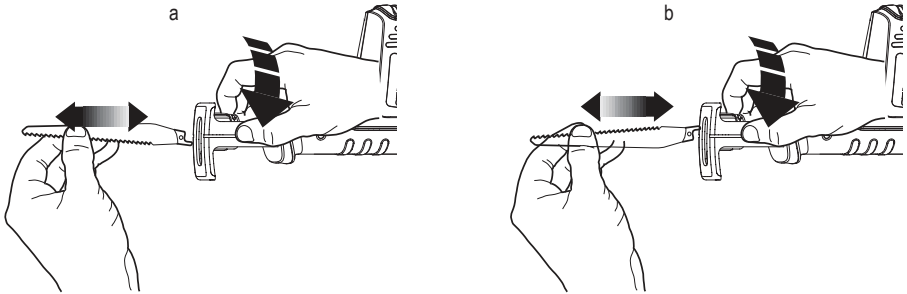
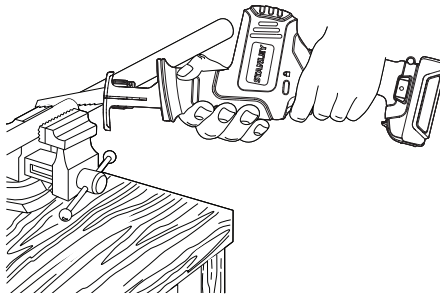


Figure 9



12V Li-Ion RECIPROCATING SAW SCR121

Technical data

SPECIFICATION	SCR121		
Voltage	V_{DC}	12	
No-load speed:	min^{-1}	0–2700	
Max power output	W	140	
Stroke length	mm	20	
Weight (without battery pack)	kg	1.05	
CHARGER		SC121	SC122
Input Voltage	V_{AC}	220-240	220-240
Output Voltage	V_{DC}	22	12
Output Current(DC)	A	1.25	1.25
Approx. charge time	min	70(1.5Ah)	70(1.5Ah)
Battery		SCB12S	
Voltage	V_{DC}	12V Max	
Capacity	Ah	1.5	
Type	Li-Ion		

Intended use

Your Stanley SCR121 12V Li-Ion Reciprocating Saw has been designed for cutting of wood, metal, plastic and PVC.

Safety instructions

General Power Tool Safety Warnings



WARNING! Read all safety warnings and instructions. Failure to follow the warnings and instructions may result in electric shock, fire and/or serious injury.

SAVE ALL WARNINGS AND INSTRUCTIONS FOR FUTURE REFERENCE.

The term "power tool" in the warnings refers to your mains-operated (corded) power tool or battery-operated (cordless) power tool.

1. Work area safety

- Keep work area clean and well lit.** Cluttered or dark areas invite accidents.
- Do not operate power tools in explosive atmospheres, such as in the presence of flammable liquids, gases or dust.** Power tools create sparks which may ignite the dust or fumes.
- Keep children and bystanders away while operating a**

power tool. Distractions can cause you to lose control.

2. Electrical safety

- Power tool plugs must match the outlet. Never modify the plug in any way. Do not use any adapter plugs with earthed (grounded) power tools.** Unmodified plugs and matching outlets will reduce risk of electric shock.
- Avoid body contact with earthed or grounded surfaces such as pipes, radiators, ranges and refrigerators.** There is an increased risk of electric shock if your body is earthed or grounded.
- Do not expose power tools to rain or wet conditions.** Water entering a power tool will increase the risk of electric shock.
- Do not abuse the cord. Never use the cord for carrying, pulling or unplugging the power tool. Keep cord away from heat, oil, sharp edges or moving parts.** Damaged or entangled cords increase the risk of electric shock.
- When operating a power tool outdoors, use an extension cord suitable for outdoor use.** Use of a cord suitable for outdoor use reduces the risk of electric shock.
- If operating a power tool in a damp location is unavoidable, use a residual current device (RCD) protected supply.** Use of an RCD reduces the risk of electric shock.

3. Personal safety

- Stay alert, watch what you are doing and use common sense when operating a power tool. Do not use a power tool while you are tired or under the influence of drugs, alcohol or medication.** A moment of inattention while operating power tools may result in serious personal injury.
- Use personal protective equipment. Always wear eye protection.** Protective equipment such as dust mask, non-skid safety shoes, hard hat, or hearing protection used for appropriate conditions will reduce personal injuries.
- Prevent unintentional starting. Ensure the switch is in the off-position before connecting to power source and/or battery pack, picking up or carrying the tool.** Carrying power tools with your finger on the switch or energising power tools that have the switch on invites accidents.
- Remove any adjusting key or wrench before turning the power tool on.** A wrench or a key left attached to a rotating part of the power tool may result in personal injury.
- Do not overreach. Keep proper footing and balance at all times.** This enables better control of the power tool in unexpected situations.
- Dress properly. Do not wear loose clothing or**

jewellery. Keep your hair, clothing and gloves away from moving parts. Loose clothes, jewellery or long hair can be caught in moving parts.

- g. If devices are provided for the connection of dust extraction and collection facilities, ensure these are connected and properly used.** Use of dust collection can reduce dust-related hazards.

4. Power tool use and care

- a. Do not force the power tool. Use the correct power tool for your application.** The correct power tool will do the job better and safer at the rate for which it was designed.
- b. Do not use the power tool if the switch does not turn it on and off.** Any power tool that cannot be controlled with the switch is dangerous and must be repaired.
- c. Disconnect the plug from the power source and/or the battery pack from the power tool before making any adjustments, changing accessories, or storing power tools.** Such preventive safety measures reduce the risk of starting the power tool accidentally.
- d. Store idle power tools out of the reach of children and do not allow persons unfamiliar with the power tool or these instructions to operate the power tool.** Power tools are dangerous in the hands of untrained users.
- e. Maintain power tools. Check for misalignment or binding of moving parts, breakage of parts and any other condition that may affect the power tools operation. If damaged, have the power tool repaired before use.** Many accidents are caused by poorly maintained power tools.
- f. Keep cutting tools sharp and clean.** Properly maintained cutting tools with sharp cutting edges are less likely to bind and are easier to control.
- g. Use the power tool, accessories and tool bits etc. in accordance with these instructions, taking into account the working conditions and the work to be performed.** Use of the power tool for operations different from those intended could result in a hazardous situation.

5. Battery tool use and care

- a. Recharge only with the charger specified by the manufacturer.** A charger that is suitable for one type of battery pack may create a risk of fire when used with another battery pack.
- b. Use power tools only with specifically designated battery packs.** Use of any other battery packs may create a risk of injury and fire.
- c. When battery pack is not in use, keep it away from other metal objects like paper clips, coins, keys, nails, screws or other small metal objects that can make a connection from one terminal to another.** Shorting the battery terminals together may cause burns or a fire.

- d. Under abusive conditions, liquid may be ejected from the battery, avoid contact. If contact accidentally occurs, flush with water. If liquid contacts eyes, additionally seek medical help.** Liquid ejected from the battery may cause irritation or burns.

6. Service

- a. Have your power tool serviced by a qualified repair person using only identical replacement parts.** This will ensure that the safety of the power tool is maintained.

Additional Safety Instructions for Reciprocating Saws

- **Hold power tool by insulated gripping surfaces when performing an operation where the cutting accessory may contact hidden wiring.** Cutting accessory contacting a "live" wire will make exposed metal parts of the power tool "live" and could give the operator an electric shock.
- **ALWAYS wear a dust mask.** Exposure to dust particles can cause breathing difficulty and possible injury.
- **Never switch on the tool when the saw blade is jammed in the workpiece or in contact with the material.**
- **Keep hands away from moving parts.** Never place your hands near the cutting area.
- **Use extra caution when cutting overhead and pay particular attention to overhead wires which may be hidden from view.** Anticipate the path of falling branches and debris ahead of time.
- **Do not operate this tool for long periods of time.** Vibration caused by the operating action of this tool may cause permanent injury to fingers, hands, and arms. Use gloves to provide extra cushion, take frequent rest periods, and limit daily time of use.

Switching on and off

- After switching off, never attempt to stop the saw blade with your fingers.
- Never put the saw down on a table or work bench unless switched off. The saw blade will keep running briefly after the tool has been switched off.

When sawing

- When using saw blades specially designed for cutting wood, remove all nails and metal objects from the workpiece before starting work.
- Wherever possible, use clamps and vices to fasten the workpiece securely.
- Do not attempt to saw extremely small workpieces.
- Do not bend too far forward. Make sure that you always stand firmly, particularly on scaffolding and ladders.

- Always hold the saw with both hands.
- For cutting curves and pockets, use an adapted saw blade.

Checking and changing the saw blade

- Only use saw blades conforming to the specifications contained in these operating instructions.
- Only sharp saw blades in perfect working condition should be used; cracked or bent saw blades should be discarded and replaced at once.
- Ensure that the saw blade is securely fixed.

Residual Risks

In spite of the application of the relevant safety regulations and the implementation of safety devices, certain residual risks cannot be avoided.

These are:

- Impairment of hearing.
- Risk of personal injury due to flying particles.
- Risk of burns due to accessories becoming hot during operation.
- Risk of personal injury due to prolonged use.

LABELS ON TOOL

The label on your tool may include the following symbols along with the date code:



WARNING! To reduce the risk of injury, the user must read the instruction manual.

POSITION OF DATE CODE

The Date Code, which also includes the year of manufacture, is printed into the housing.

Example

2019 XX JN
Year of manufacturing

Important Safety Instructions for All Battery Chargers

SAVE THESE INSTRUCTIONS: This manual contains important safety and operating instructions for the SC121 battery chargers.

- Before using charger, read all instructions and cautionary markings on charger, battery pack, and product using battery pack.



WARNING: Shock hazard. Do not allow any liquid to get inside charger. Electric shock may result.



CAUTION: Burn hazard. To reduce the risk of injury, charge only STANLEY rechargeable

batteries. Other types of batteries may burst causing personal injury and damage.



CAUTION: Children should be supervised to ensure that they do not play with the appliance.

NOTICE: Under certain conditions, with the charger plugged in to the power supply, the charger can be shorted by foreign material. Foreign materials of a conductive nature such as, but not limited to, grinding dust, metal chips, steel wool, aluminum foil, or any buildup of metallic particles should be kept away from charger cavities. Always unplug the charger from the power supply when there is no battery pack in the cavity. Unplug charger before attempting to clean.

- **DO NOT attempt to charge the battery pack with any chargers other than the ones in this manual.** The charger and battery pack are specifically designed to work together.
- **These chargers are not intended for any uses other than charging STANLEY rechargeable batteries.** Any other uses may result in risk of fire, electric shock or electrocution.
- **Do not expose charger to rain or snow.**
- **Pull by plug rather than cord when disconnecting charger.** This will reduce risk of damage to electric plug and cord.
- **Make sure that cord is located so that it will not be stepped on, tripped over, or otherwise subjected to damage or stress.**
- **Do not use an extension cord unless it is absolutely necessary.** Use of improper extension cord could result in risk of fire, electric shock, or electrocution.
- **Do not place any object on top of charger or place the charger on a soft surface that might block the ventilation slots and result in excessive internal heat.** Place the charger in a position away from any heat source. The charger is ventilated through slots in the top and the bottom of the housing.
- **Do not operate charger with damaged cord or plug** — have them replaced immediately.
- **Do not operate charger if it has received a sharp blow, been dropped, or otherwise damaged in any way.** Take it to an authorised service centre.
- **Do not disassemble charger; take it to an authorised service centre when service or repair is required.** Incorrect reassembly may result in a risk of electric shock, electrocution or fire.
- In case of damaged power supply cord the supply cord must be replaced immediately by the manufacturer, its service agent or similar qualified person to prevent any hazard.
- **Disconnect the charger from the outlet before**

attempting any cleaning. This will reduce the risk of electric shock. Removing the battery pack will not reduce this risk.

- **NEVER** attempt to connect 2 chargers together.
- **The charger is designed to operate on standard household electrical power. Do not attempt to use it on any other voltage.** This does not apply to the vehicular charger.

SAVE THESE INSTRUCTIONS

Chargers

The SC122(SC121) chargers accept 12V Max Li-Ion batteries.

These chargers require no adjustment and are designed to be as easy as possible to operate.





Charging Procedure (fig. 2)

1. Plug the charger into an appropriate outlet before inserting battery pack.
2. Insert the battery pack into the charger. The charging light will blink continuously indicating that the charging process has started.
3. The completion of charge will be indicated by the charging light remaining ON continuously. The pack is fully charged and may be used at this time or left in the charger.

NOTE: To ensure maximum performance and life of Li-Ion batteries, charge the battery pack fully before first use.

Charging Process

Refer the table below for the state of charge of the battery pack.

State of charge		SC122
charging	-- -- -- -- 	green blink
fully charged	----- 	green light
hot battery	-- -- 	red blink
defect battery	***** 	red flash

HOT/COLD PACK DELAY

The SC122(SC121) charger have a hot/cold delay feature. When the charger detects a battery that is hot, it automatically delays charging until the battery has cooled.

When the charger detects a battery that is cold, it automatically delays charging until the battery has warmed.

The red light will continue to blink and can't start to charging procedure .once the battery has cooled ,the charger will resume the charging procedure.

The tool will automatically turn off if the Electronic Protection System engages. If this occurs, place the Li-Ion battery on the charger until it is fully charged.

The tool will automatically turn off if the Electronic Protection System engages. If this occurs, place the Li-Ion battery on the charger until it is fully charged.

LI-ION BATTERY PACKS ONLY

Li-Ion batteries are designed with an Electronic Protection System that will protect the battery against overloading, overheating or deep discharge.

The tool will automatically turn off if the Electronic Protection System engages. If this occurs, place the Li-Ion battery on the charger until it is fully charged.

Important Safety Instructions for All Battery Packs

When ordering replacement battery packs, be sure to include catalog number and voltage.

The battery pack is not fully charged out of the carton. Before using the battery pack and charger, read the safety instructions below. Then follow charging procedures outlined.

READ ALL INSTRUCTIONS

- **Do not charge or use battery in explosive atmospheres, such as in the presence of flammable liquids, gases or dust.** Inserting or removing the battery from the charger may ignite the dust or fumes.
- **Never force battery pack into charger. Do not modify battery pack in any way to fit into a non-compatible charger as battery pack may rupture causing serious personal injury.**
- Charge the battery packs only in STANLEY chargers.
- **DO NOT** splash or immerse in water or other liquids.
- **Do not store or use the tool and battery pack in locations where the temperature may reach or exceed 40 °C (105 °F) (such as outside sheds or metal buildings in summer).**



WARNING: Never attempt to open the battery pack for any reason. If battery pack case is cracked or damaged, do not insert into charger. Do not crush, drop or damage battery pack. Do not use a battery pack or charger that has received a sharp blow, been dropped, run over or damaged in any way (i.e., pierced with a nail, hit with a hammer, stepped on). Electric shock or electrocution may result. Damaged battery packs should be returned to service centre for recycling.



CAUTION: When not in use, place tool on its side on a stable surface where it will not cause a tripping or falling hazard. Some tools with large battery packs will stand upright on the battery pack but may be easily knocked over.

SPECIFIC SAFETY INSTRUCTIONS FOR LITHIUM ION (Li-Ion)

- **Do not incinerate the battery pack even if it is severely damaged or is completely worn out.** The battery pack can explode in a fire. Toxic fumes and materials are created when lithium ion battery packs are burned.
- **If battery contents come into contact with the skin, immediately wash area with mild soap and water.** If battery liquid gets into the eye, rinse water over the open eye for 15 minutes or until irritation ceases. If medical attention is needed, the battery electrolyte is composed of a mixture of liquid organic carbonates and lithium salts.
- **Contents of opened battery cells may cause respiratory irritation.** Provide fresh air. If symptoms persists, seek medical attention.



WARNING: Burn hazard. Battery liquid may be flammable if exposed to spark or flame.

Transportation

STANLEY batteries comply with all applicable shipping regulations as prescribed by industry and legal standards which include UN Recommendations on the Transport of Dangerous Goods; International Air Transport Association (IATA) Dangerous Goods Regulations, International Maritime Dangerous Goods (IMDG) Regulations, and the European Agreement Concerning The International Carriage of Dangerous Goods by Road (ADR). Lithium-ion cells and batteries have been tested to section 38.3 of the UN Recommendations on the Transport of Dangerous Goods Manual of Tests and Criteria.

In most instances, shipping a STANLEY battery pack will be excepted from being classified as a fully regulated Class 9 Hazardous material. In general, the two instances that require shipping Class 9 are:

1. Air shipping more than two STANLEY lithium-ion battery packs when the package contains only battery packs (no tools), and
2. Any shipment containing a lithium-ion battery with an energy rating greater than 100 watt hours (Wh). All lithium-ion batteries have the watt hour rating marked on the pack.

Regardless of whether a shipment is considered excepted or fully regulated, it is the shipper's responsibility to consult the latest regulations for packaging, labeling/marketing and documentation requirements.

Transporting batteries can possibly cause fire if the battery terminals inadvertently come in contact with conductive materials. When transporting batteries, make sure that the battery terminals are protected and well insulated from materials that could contact them and cause a short circuit.

The information provided in this section of the manual is provided in good faith and believed to be accurate at the time the document was created. However, no warranty, expressed or

implied, is given. It is the buyer's responsibility to ensure that its activities comply with the applicable regulations.

Battery Pack

BATTERY TYPE

The SCR121 operates on a 12V battery pack.

Storage Recommendations

1. The best storage place is one that is cool and dry away from direct sunlight and excess heat or cold. For optimum battery performance and life, store battery packs at room temperature when not in use.
2. For long storage, it is recommended to store a fully charged battery pack in a cool, dry place out of the charger for optimal results.

NOTE: Battery packs should not be stored completely depleted of charge. The battery pack will need to be recharged before use.

Labels on Charger and Battery Pack

In addition to the pictographs used in this manual, the labels on the charger and the battery pack may show the following pictographs:



Read instruction manual before use.



See **Technical Data** for charging time.



Battery charging.



Battery charged.



Battery defective.



Hot/cold pack delay.



Do not probe with conductive objects.



Do not charge damaged battery packs.



Do not expose to water.



Have defective cords replaced immediately.



Charge only between 4 °C and 40 °C.



Only for indoor use.



Discard the battery pack with due care for the environment.



Charge STANLEY battery packs only with designated STANLEY chargers. Charging battery packs other than the designated STANLEY batteries with a STANLEY charger may make them burst or lead to other dangerous situations.



Do not incinerate the battery pack.

Package Contents

The package contains:

- 1 Cordless Reciprocating Saw
 - 1 Charger
 - 2 Battery packs (S2) or 1 battery pack (S1)
 - 1 Instruction manual
- Check for damage to the tool, parts or accessories which may have occurred during transport.
 - Take the time to thoroughly read and understand this manual prior to operation.

Description (fig. 1)



WARNING: Never modify the power tool or any part of it. Damage or personal injury could result.

- a. Trigger switch
- b. Lock-off button
- c. Blade clamp
- d. Main handle
- e. Hand grip
- f. Battery pack
- g. Battery pack release button

DO NOT use under wet conditions or in presence of flammable liquids or gases.

This Reciprocating Saw is a professional power tool.

DO NOT let children come into contact with the tool. Supervision is required when inexperienced operators use this tool.

- This product is not intended for use by persons (including children) suffering from diminished physical, sensory or mental abilities, or for lack of experience and/or for want of knowledge or skills unless they are supervised by a person responsible for their safety. Children should never be left alone to play with this product.

Electrical Safety

The electric motor has been designed for one voltage only. Always check that the battery pack voltage corresponds to the voltage on the rating plate. Also make sure that the voltage of your charger corresponds to that of your mains.



Your STANLEY charger is double insulated in accordance with EN 60335; therefore no earth wire is required.

If the supply cord is damaged, it must be replaced by a specially prepared cord available through the STANLEY service organisation.

Using an Extension Cable

An extension cord should not be used unless absolutely necessary. Use an approved extension cable suitable for the power input of your charger (see **Technical Data**). The minimum conductor size is 1 mm²; the maximum length is 30 m.

When using a cable reel, always unwind the cable completely.

Assembly and adjustments



WARNING: Prior to assembly and adjustment, always remove the battery pack. Always switch off the tool before inserting or removing the battery pack.



WARNING: Use only STANLEY battery packs and chargers.

Inserting and Removing the Battery Pack from the Tool (fig. 2)



WARNING: To reduce the risk of serious personal injury, place the forward/reverse button in the lock-off position or turn tool off and disconnect battery pack before making any adjustments or removing/installing attachments or accessories. An accidental start-up can cause injury.

NOTE: Make sure your battery pack (f) is fully charged.

TO INSTALL THE BATTERY PACK INTO THE TOOL HANDLE

1. Align the battery pack with the rails inside the handle.
2. Slide it firmly into place until you hear the lock snap into place.

TO REMOVE THE BATTERY PACK FROM THE TOOL

1. Press the release button (g) and firmly pull the battery pack out of the tool handle.
2. Insert battery pack into the charger as described in the charger section of this manual.

Variable Speed Trigger Switch (fig. 1)

To turn the tool on, squeeze the variable speed trigger switch (a). To turn the tool off, release the variable speed trigger switch.

The trigger switch enables you to start the application at a slow speed. The further you press the trigger, the faster the tool will operate.



WARNING: This tool has no provision to lock the switch in the on position and should never be locked on by any other means.

LOCK-OFF BUTTON

Your saw is equipped with a lock-off button (b). To lock the trigger switch (a), press the lock-off button as shown in figure 3. When the lock-off button is depressed to the lock icon, the tool is locked. Always lock the trigger switch when carrying or storing the tool to eliminate unintentional starting.

NOTE: Use of very slow speed is recommended only for beginning a cut. Prolonged use at very slow speed may damage your saw.

Operation

INSTRUCTIONS FOR USE



WARNING: Always observe the safety instructions and applicable regulations.



WARNING: To reduce the risk of serious personal injury, place the lock-off button in the lockoff position or turn tool off and disconnect battery pack before making any adjustments or removing/installing attachments or accessories. An accidental start-up can cause injury.

PROPER HAND POSITION (FIG. 1, 4)



WARNING: To reduce the risk of serious personal injury, **ALWAYS** use proper hand position as shown.



WARNING: To reduce the risk of serious personal injury, **ALWAYS** hold securely in anticipation of a sudden reaction.

Proper hand position requires one hand on the hand grip (e), with the other hand on the main handle (d). Hand orientation is dependent upon user's preference.

BLADE INSTALLATION AND REMOVAL (FIG. 8)



WARNING: To reduce the risk of serious personal injury, place the lock-off button in the lockoff position or turn tool off and disconnect battery pack before making any adjustments or removing/installing attachments or accessories. An accidental start-up can cause injury.

Different blade lengths are available. Use the appropriate blade for the application. The blade should be longer than 3-1/2" (89 mm) and should extend past the shoe and the thickness of the workpiece during the cut. A 4" (102 mm) blade is recommended for best performance. Do not use jigsaw blades with this tool.



WARNING: Cut hazard. Blade breakage may occur if the blade does not extend past the shoe and the workpiece during the cut (fig. 6). Increased risk of personal injury, as well as damage to the shoe and workpiece may result.

TO INSTALL BLADE INTO SAW (FIG. 8)

1. Pull blade clamp release lever (g) up.
2. Insert the blade shank into the blade clamp (f, fig. 8).
3. Close blade clamp release lever.
4. Note that the blade can be installed upsidedown to assist in flush-to cutting (refer to fig. 8b).

TO REMOVE BLADE FROM SAW (FIG. 8a, 8b)



CAUTION: Burn hazard. Do not touch the blade immediately after use. Contact with the blade may result in personal injury.

1. Pull blade clamp release lever (g) up.
2. Remove blade.

Cutting (fig. 6,7,9)



WARNING: Always use eye protection. All users and bystanders must wear eye protection that conforms to ANSI Z87.1.



WARNING: Exercise extra caution when cutting towards operator. Always hold saw firmly with both hands while cutting.

Before cutting any type of material, be sure it is firmly anchored or clamped to prevent slipping. Place blade lightly against work to be cut, switch on saw motor and allow it to obtain maximum speed before applying pressure. Whenever possible, the saw shoe must be held firmly against the material being cut. This will prevent the saw from jumping or vibrating and minimize blade breakage. Any cuts which put pressure on the blade such as angle or scroll cuts increase potential for vibration, kickback and blade breakage.



WARNING: Use extra caution when cutting overhead and pay particular attention to overhead wires which may be hidden from view. Anticipate the path of falling branches and debris ahead of time.



WARNING: Inspect work site for hidden gas pipes, water pipes or electrical wires before making blind or plunge cuts. Failure to do so may result in explosion, property damage, electric shock, and/or serious personal injury.

POCKET/PLUNGE CUTTING – WOOD ONLY (FIG. 7)

The initial step in pocket cutting is to measure the surface area to be cut and mark clearly with a pencil, chalk or scribe. Use the appropriate blade for the application. The blade should be longer than 3-1/2" (89 mm) and should extend past the shoe and the thickness of the workpiece during the cut. A 4" (102 mm) blade is recommended for best performance. Insert blade into the blade clamp.

Next, tip the saw backward until the back edge of the shoe is resting on the work surface and the blade clears the work surface. Then, squeeze the trigger switch and allow saw to come up to speed.

Grip saw firmly with both hands and begin a slow, deliberate upward swing with the handle of the saw, keeping the bottom of the shoe firmly in contact with the workpiece. Blade will begin to feed into material.

Always be sure blade is completely through material before continuing with pocket cut.

NOTE: In areas where blade visibility is limited, use the edge of the saw shoe as a guide. Lines for any given cut should be extended beyond edge of cut to be made.

METAL CUTTING (FIG. 9)

Your saw has different metal cutting capacities depending upon type of blade used and the metal to be cut. Use a finer blade for ferrous metals and a coarse blade for non-ferrous materials. In thin gauge sheet metals it is best to clamp wood to both sides of sheet. This will ensure a clean cut without excess vibration or tearing of metal. Always remember not to force cutting blade as this reduces blade life and causes costly blade breakage.

NOTE: It is generally recommended that when cutting metals you should spread a thin film of oil or other lubricant along the line ahead of the saw cut for easier operation and longer blade life.

The SCR121 can accept all lengths of reciprocating blades. For best results use 4" (102 mm) blades. Ensure the blade extends past the shoe and the thickness of the workpiece during the cut. Use a longer blade if needed. Whenever possible, the saw shoe must be held firmly against the material being cut. This will prevent the saw from jumping or vibrating and minimize blade breakage.

Maintenance

Your STANLEY power tool has been designed to operate over a long period of time with a minimum of maintenance. Continuous satisfactory operation depends upon proper tool care and regular cleaning.



WARNING: To reduce the risk of serious personal injury, place the forward/reverse button in the lock-off position or turn tool off and disconnect battery pack before making any adjustments or removing/installing

attachments or accessories. An accidental start-up can cause injury.

The charger and battery pack are not serviceable. There are no serviceable parts inside.



Lubrication

Your power tool requires no additional lubrication.



Cleaning



WARNING: Blow dirt and dust out of the main housing with dry air as often as dirt is seen collecting in and around the air vents. Wear approved eye protection and approved dust mask when performing this procedure.



WARNING: Never use solvents or other harsh chemicals for cleaning the non-metallic parts of the tool. These chemicals may weaken the materials used in these parts. Use a cloth dampened only with water and mild soap. Never let any liquid get inside the tool; never immerse any part of the tool into a liquid.

CHARGER CLEANING INSTRUCTIONS



WARNING: Shock hazard. Disconnect the charger from the AC outlet before cleaning. Dirt and grease may be removed from the exterior of the charger using a cloth or soft non-metallic brush. Do not use water or any cleaning solutions.

Optional Accessories



WARNING: Since accessories, other than those offered by STANLEY, have not been tested with this product, use of such accessories with this tool could be hazardous. To reduce the risk of injury, only STANLEY, recommended accessories should be used with this product.

Consult your dealer for further information on the appropriate accessories.

Protecting the Environment



Separate collection. This product must not be disposed of with normal household waste.

Should you find one day that your STANLEY product needs replacement, or if it is of no further use to you, do not dispose of it with household waste. Make this product available for separate collection.



Separate collection of used products and packaging allows materials to be recycled and used again. Re-use of recycled materials helps prevent environmental pollution and reduces the demand for raw materials.

Local regulations may provide for separate collection of electrical products from the household, at municipal waste sites or by the retailer when you purchase a new product.



Rechargeable Battery Pack

This long life battery pack must be recharged when it fails to produce sufficient power on jobs which were easily done before. At the end of its technical life, discard it with due care for our environment:

- Run the battery pack down completely, then remove it from the tool.
- Li-Ion cells are recyclable. Take them to your dealer or a local recycling station. The collected battery packs will be recycled or disposed of properly.

REMARKS

Stanley's policy is one of continuous improvement to our products and as such, we reserve the right to modify product specifications without prior notice.

- Standard equipment and accessories may vary by country.
- Product specifications may differ by country.
- Complete product range may not be available in all countries. Contact your local Stanley dealers for range availability.

12 伏锂离子往复式电锯 SCR121

技术参数

规格	SCR121		
电压	伏特 _{直流}	12	
空载转速:	转/分	0-2700	
最大功率输出	瓦	140	
冲程长度	毫米	20	
重量 (不含电池组)	千克	1.05	
充电器			
	SC121	SC122	
输入电压	V _{AC}	220-240	220-240
输出电压	V _{DC}	22	12
输出电流 (DC)	A	1.25	1.25
大约充电时间	min	70(1.5Ah)	70(1.5Ah)
电池			
		SCB12S	
电压	V _{DC}	12V Max	
电池容量	Ah	1.5	
类型	锂离子		

设计用途

本 Stanley SCR121 12 伏锂离子往复式电锯设计用于专业切割木材、金属、塑料和 PVC。

安全说明

电动工具通用安全警告



警告！ 阅读所有警告和所有说明。不遵照以下警告和说明会导致电击、着火和 / 或严重伤害。

保存所有警告和说明书以备查阅。

在所有下列的警告中术语“电动工具”指市电驱动(有线)电动工具或电池驱动(无线)电动工具。

1. 工作场地的安全

- 保持工作场地清洁和明亮。混乱和黑暗的场地会引发事故。
- 不要在易爆环境，如有易燃液体、气体或粉尘的环境下操作电动工具。电动工具产生的火花会点燃粉尘或气体。
- 让儿童和旁观者离开后操作电动工具。注意力不集中会使你失去对工具的控制。

2. 电气安全

- 电动工具插头必须与插座相配。绝不能以任何方式改装插头。需接地的电动工具不能使用任

何转换插头。未经改装的插头和相配的插座将减少电击危险。

- 避免人体接触接地表面，如管道、散热片和冰箱。如果你身体接地会增加电击危险。
- 不得将电动工具暴露在雨中或潮湿环境中。水进入电动工具将增加电击危险。
- 不得滥用电线。绝不能用电线搬运、拉动电动工具或拔出其插头。使电线远离热源、油、锐边或运动部件。受损或缠绕的软线会增加电击危险。
- 当在户外使用电动工具时，使用适合户外使用的外接软线。适合户外使用的软线将减少电击危险。
- 如果在潮湿环境下操作电动工具是不可避免的，应使用剩余电流动作保护器(RCD)。使用RCD可减小电击危险。

3. 人身安全

- 保持警觉，当操作电动工具时关注所从事的操作并保持清醒。当你感到疲倦，或在有药物、酒精或治疗反应时，不要操作电动工具。在操作电动工具时瞬间的疏忽会导致严重人身伤害。
- 使用个人防护装置。始终佩戴护目镜。安全装置，诸如适当条件下使用防尘面具、防滑安全鞋、安全帽、听力防护等装置能减少人身伤害。
- 防止意外启动。确保开关在连接电源和/或电池盒、拿起或搬运工具时处于关断位置。手指放在已接通电源的开关上或开关处于接通时插入插头可能会导致危险。
- 在电动工具接通之前，拿掉所有调节钥匙或扳手。遗留在电动工具旋转零件上的扳手或钥匙会导致人身伤害。
- 手不要伸展得太长。时刻注意立足点和身体平衡。这样在意外情况下能很好地控制电动工具。
- 着装适当。不要穿宽松衣服或佩戴饰品。让你的衣服、手套和头发远离运动部件。宽松衣服、配饰或长发可能会卷入运动部件中。
- 如果提供了与排屑、集尘设备连接的装置，要确保他们连接完好且使用得当。使用这些装置可减少尘屑引起的危险。

4. 电动工具使用和注意事项

- 不要滥用电动工具，根据用途使用适当的电动工具。选用适当设计的电动工具会使你工作更有效、更安全。
- 如果开关不能接通或关断工具电源，则不能使用该电动工具。不能用开关来控制的电动工具是危险的且必须进行修理。
- 在进行任何调节、更换附件或贮存电动工具之前，必须从电源上拔掉插头和 / 或使电池盒与

工具脱开。这种防护性措施将减少工具意外起动的危险。

- d. 将闲置不用的电动工具贮存在儿童所及范围之外，并且不要让不熟悉电动工具或对这些说明不了解的人操作电动工具。电动工具在未经培训的用户手中是危险的。
- e. 保养电动工具。检查运动件是否调整到位或卡住，检查零件破损情况和影响电动工具运行的其他状况。如有损坏，电动工具应在使用前修理好。许多事故由维护不良的电动工具引发。
- f. 保持切削刀具锋利和清洁。保养良好的有锋利切削刃的刀具不易卡住而且容易控制。
- g. 按照使用说明书，考虑作业条件和进行的作业来使用电动工具、附件和工具的刀头等。将电动工具用于那些与其用途不符的操作可能会导致危险。

5. 电池式工具使用和注意事项

- a. 只用制造商规定的充电器充电。将适用于某种电池盒的充电器用到其他电池盒时会发生着火危险。
- b. 只有在配有专用电池盒的情况下才使用电动工具。使用其他电池盒会发生损坏和着火危险。
- c. 当电池盒不用时，将它远离其他金属物体，例如回形针、硬币、钥匙、钉子、螺钉或其他小金属物体，以防一端与另一端连接。电池端部短路会引起燃烧或火灾。
- d. 在滥用条件下，液体会从电池中溅出，避免接触。如果意外碰到了，用水冲洗。如果液体碰到了眼睛，还要寻求医疗帮助。从电池中溅出的液体会发生腐蚀或燃烧。

6. 维修

- a. 让专业维修人员使用相同的备件维修电动工具。这将保证所维修的电动工具的安全。

往复电锯附加安全指南

- 在切削配件可能触及暗线之处进行操作时，要通过绝缘握持面来握持电动工具。若切削配件接触到“带电”导线，电动工具金属部件表面就会“带电”，从而导致操作人员触电。
- 任何时候都须佩戴防尘罩。暴露在粉尘微粒中可能会导致呼吸困难和伤害。
- 切勿在锯片卡在工件里或接触其他材料时开启工具。
- 双手远离活动部件。双手切勿靠近切割区域。
- 在头顶上方切割时须格外小心，要特别留意头顶上方视野无法看到的电线。提前预判下落碎条和碎片的路径。
- 不要长时间操作此工具。本工具运行引起的震动

可能对手指、手部和手臂造成永久伤害。使用手套提供额外缓冲，经常停下休息，并限制使用时间。

开启和关闭

- 关闭电锯之后，切勿尝试用手指停止锯片。
- 关闭电锯之前切勿将电锯放到桌子或工作台上。关闭电锯之后锯片将继续运动一会。

切割时

- 在使用切割木材的专用锯片时，请在开始工作前清除工件上的所有钉子和金属物体。
- 在可能的情况下，使用夹具和虎钳牢固锁紧工件。
- 请勿尝试切割极小的工件。
- 不要过分前倾。确保稳固站立，尤其是站在脚手架或梯子上时。
- 务必双手握持电锯。
- 切割曲面或开口时，请使用合适的锯片。

检查及更换锯片

- 只可使用符合这些操作指示里所列规格的锯片。
- 只可使用工作状况非常良好的锋利锯片；破裂或弯曲的锯片应被丢弃并立即予以更换。
- 确保锯片固定牢固。

其他风险

尽管遵守了相关的安全法规并采用了安全装备，某些其他风险仍然是无法避免的。

这些风险包括：

- 听力损伤。
- 飞溅颗粒造成的人身伤害风险。
- 使用时配件发热导致的灼伤风险。
- 长时间使用引起的人身伤害风险。

工具上的标签

您的工具上可能包含下列符号和日期码：



警告！为降低伤害风险，用户必须阅读说明手册。

日期码的位置

包含制造年份的日期码印在工具机壳内。

示例：

2019 XX JN
制造年份

针对所有电池充电器的重要安全说明

请妥善保管好这些说明：本手册包含重要的 SC122 电池充电器安全和操作说明。

- 在使用充电器之前，请先阅读所有指示以及充电器、电池组和使用电池组的产品上的警示标记。



警告：触电危险。请勿让任何液体渗入充电器。否则可能会引起触电。



警告：灼伤危险。为降低人身伤害风险，请仅使用 STANLEY 充电式电池充电器。使用其他类型的电池可能会引起爆裂，并导致人身伤害和损害。



警告：应看管好儿童，以确保他们不将此设备当做玩具来玩。

注意：在某些情况下，充电器连接到电源时，充电器触头可能会被异物导致短路。导电的异物，包括但不限于研磨粉尘、金属屑、钢丝绒、铝箔纸或任何由金属粒子组成的物件，必须远离充电器范围。充电器内没有电池组时，请务必断开充电器与电源的连接。清洗前，请务必拔掉充电器。

- 请勿试图使用本手册指定的充电器以外的其他任何充电器为电池组充电。充电器和电池组都是专门设计的，互相配合使用。
- 这些充电器不可用于除为 STANLEY 充电电池充电以外的用途。否则可能会导致火灾、触电或电击。
- 请勿将充电器暴露于雨中或雪中。
- 断开充电器连接时，应拔下插头，切勿拉拽电源线。这将降低对插头和电线的损害风险。
- 请确保电源线布置在不易踩踏、踢绊、拉扯或会受到损害或压力的位置。
- 除非绝对必要，否则请勿使用延长线。使用不正确的延长线可能导致火灾、触电或电击的风险。
- 请勿将任何物件放在充电器上面，或是把充电器放在可能会堵住通风槽的柔软表面，导致充电器的内部过热。请把充电器放置在远离任何热源的位置。充电器外壳顶端和底端具有通风槽。
- 请勿使用电源线或插头已损坏的充电器。请立即更换已损坏的充电器。
- 如果充电器受到强烈重击、掉落或出现其他损坏情况，请勿使用充电器。请将损坏的充电器送到授权服务中心维修。
- 请勿自行拆卸充电器。需要维护或修理时，请拿到授权服务中心。重装不正确可能导致触电、电击或火灾风险。
- 必须立即将已损坏的电源线交由制造商、服务代理或类似的合格人员进行更换以防止安全隐患。
- 清洁前，请先断开充电器和插座的连接，以降低触电风险。取出电池组不会降低触电风险。

- 切勿将两个充电器连接在一起。
- 充电器额定电压是标准家用电压。请勿试图在任何其他电压下使用充电器。此规则不适用于车载充电器。

请妥善保管好这些说明

充电器

SC122(SC121) 充电器接受 12 伏 Max 锂离子电池。

这些充电器无需做出任何调整，专为简易操作而设计。

充电程序 (图 2)

- 插入电池组前，请先将充电器 (i) 的插头插入相应的电源插座上。
- 请将电池组 (g) 插入充电器中。充电指示灯将不断闪烁，表示充电过程已经开始。
- 充电指示灯持续亮起表示充电完成。此时电池组已完全充电，您可以使用电池组或将电池组留在充电器上。

注：为了确保锂离子电池的效能和使用寿命最大化，在首次使用电池组之前必须将其完全充电。

充电过程

有关电池组的充电状态，请参阅下表。

充电状态	SC122
充电中	--- --  绿灯闪烁
已完全充电	-----  绿灯
电池温度高	---  红灯闪烁
失效电池  红灯快闪

热/冷电池组延迟

SC122 (SC121)

当充电器检测到电池较热时，会自动延迟充电，直到电池冷却为止。

当充电器检测到电池较冷时，会自动延迟充电，直到电池稍变热为止。

当红色指示灯闪烁，此时开始不能充电，当电池包加热至合适的温度，充电器将自动恢复充电。

Stanley 锂离子电池工具具有电子保护系统设计，可保护电池免受过载、过热或过度放电之害。

如果电子保护系统处于运作状态，该工具将自动停止操作。如果发生这种情况，请将锂离子电池放在充电器上，直到其完全充电为止。

仅限锂离子电池组

锂离子电池具有“电子保护系统”设计，可保护电池免受过载、过热或过度放电之害。

如果电子保护系统处于运作状态，该工具将自动停止操作。如果发生这种情况，请将锂离子电池放在充电器上，直至其完全充电。

针对所有电池组的重要安全说明

在订购替换电池组时，请务必提供产品目录号和电压。

包装箱内的电池组并未完全充电。使用电池组和充电器之前，请阅读下列安全说明，然后遵循所述的充电程序。

请阅读所有说明

- 请勿在易爆环境，如有易燃液体、气体或粉尘的环境中充电或使用电池。在充电器中插入或取出电池时可能会点燃粉尘或气体。
- 切勿强行将电池插入充电器。请勿以任何方式改装电池组并将电池组插入不兼容的充电器，这可能会导致电池组破裂，造成严重的人身伤害。
- 只使用 STANLEY 充电器为电池组充电。
- 请勿喷溅电池组或将其浸泡在水或其他液体中。
- 请勿在温度可能达到或超过 40°C (105°F) 的地方（如夏天户外的棚子或金属建筑物中）存储或使用工具和电池组。



警告：切勿以任何理由试图打开电池组。电池组外壳破裂或损坏时，请勿将电池组插入充电器。请勿挤压、掉落或损坏电池组。请勿使用受过强烈重击、掉落、碾压或以任何其他方式（如被钉子穿破、受到锤子的重击、踩踏）受损的电池组或充电器。否则可能会引起电击或触电。应把受损的电池组送返服务中心进行回收。



警示：不用时，请将工具侧放在平稳的表面上，以确保不会有踢绊或掉落的危险。一些具有大型电池组的工具将直立于电池组之上，但可能会轻易被撞倒。

锂离子电池 (Li-Ion) 的安全说明

- 即使电池组严重受损或完全损坏，也请勿焚化电池组。电池组在火中会发生爆炸。锂离子电池组在燃烧时会释放有毒气体和物质。
- 如果电池液体接触到皮肤，请立即以中性肥皂和清水冲洗接触的地方。如果电池液体不慎进入眼睛，应睁开眼睛并用清水冲洗至少 15 分钟或直到刺激感消失。如果需要医疗救助，请告知医护人员。电池电解质由液状有机碳酸盐和锂盐的混合物组成。
- 已打开电池的**内部物质**可能会导致呼吸道刺激。请保持空气流通。如果症状持续存在，请寻求医疗帮助。



警告：灼伤危险。电池液如果接触到火花或火焰可能会燃烧。

运输

STANLEY 电池符合所有适用的行业和法律标准规定的运输规范，包括《联合国危险品运输建议规章范本》(UN Recommendations on the Transport of Dangerous Goods)、《国际航空运输协会 (IATA) 危险品规则》(International Air Transport Association (IATA) Dangerous Goods Regulations)、《国际海运危险品 (IMDG) 规则》(International Maritime Dangerous Goods (IMDG) Regulations) 和《欧洲危险货物国际公路运输协定》(European Agreement Concerning The International Carriage of Dangerous Goods by Road) (ADR)。锂离子电池和电池组已遵循《联合国危险品运输建议规章范本手册》第 38.3 节关于测试和标准的说明通过测试。

大多数情况下，发运 STANLEY 电池组不属于完全管制的 9 类危险品。纳入 9 类危险品发运的情况通常有两种：

1. 空运两个以上 STANLEY 锂离子电池组，且包装中只包含电池组（没有工具）；和
2. 包含一个能源等级大于 100 瓦时 (Wh) 的锂离子电池的任何形式运输。所有锂离子电池外壳上均标注有瓦时等级。

无论发运是否纳入完全管制范围内，运输公司均有责任遵循最新法规中关于包装、标签/标记和单据的要求。

电池运输途中，如果电池两极意外接触导电材料，可能会引发火灾。运输电池时，请务必保护电池两极，确保与可能接触电池导致短路的材料良好绝缘。

本手册本节的信息是出于善意提供，且认为在编制文档时准确无误。但是不提供明示或暗示的担保。购买方负有确保其行为遵守适用法规的责任。

电池组

电池类型

SCR121 使用 12 伏电池组操作。

存放建议

1. 最好将电池存放在阴凉、干燥、远离阳光直射、不会过热或过冷的地方。为了获得最佳的电池性能和使用寿命，请您在不使用电池组时将其存储至室温。
2. 长期存储时，建议将完全充电的电池组从充电器取出，存储在阴凉、干燥的地方，以达到最佳效果。

注：电池组不应在电池已完全耗尽的状态下存放。使用电池组之前，必须重新为电池组充电。

充电器和电池组上的标签

除了在本手册中所使用的标志，充电器和电池组的标签还包括：



使用前请阅读说明手册。



充电时间详细信息，请参阅**技术参数**。



电池充电中。



电池充电已完成。



电池故障。



热/冷电池组延迟。



请勿使用导电物体戳刺。



请勿对已损坏的电池组充电。



请勿将其暴露于水中。



应立即更换有缺陷的电线。



请只在 4°C 和 40°C 之间的温度下充电。



只能在室内使用。



弃置电池组时，请妥善处理以保护我们的环境。



请只使用指定的 STANLEY 充电器为 STANLEY 电池组充电。使用 STANLEY 充电器为非 STANLEY 电池充电可能会导致电池爆炸或出现其他危险情况。



请勿焚化电池组。

包装内的物品

包装内的物品包括：

- 1 个充电往复电锯
- 1 个充电器
- 2 个电池组 (S2) 或 1 个电池组 (S1)
- 1 本说明手册
- 检查工具、部件或配件是否在运输过程中损坏。
- 操作前，请抽空仔细阅读并掌握本手册。

说明 (图 1)



警告：切勿改装本电动工具或其任何部件，否则可能会导致损坏或人身伤害。

- a. 触发开关
- b. 锁止按钮
- c. 锯片夹具
- d. 主手柄
- e. 手柄
- f. 电池组
- g. 电池组释放按钮

请勿在潮湿环境中或在有易燃液体或气体的环境中使用。

此往复电锯是专业的电动工具。

请勿让儿童接触本工具。缺乏经验的操作员需要在监督下使用本工具。

- 本产品不适合身体、感官或心智能力有缺陷以及缺乏经验、知识或技能的人员 (包括儿童) 使用，除非有相关人员负责他们的安全监督。请勿在无人监管的情况下让儿童接触本产品。

电气安全

电机只适用一种工作电压。请务必检查电池组的电压是否和铭牌上的电压一致。另外，请确保充电器电压和主电源的电压一致。



STANLEY 充电器符合 EN 60335 双重绝缘要求，因此无需使用接地线。

如果电源线损坏，必须交由 STANLEY 维修部门采用专门制备的电线进行更换。

使用延长线

除非绝对必要，否则请勿使用延长线。使用适合您的充电器输入功率的合格延长线 (见**技术参数**)。最小的导线尺寸为 1 平方毫米；最大长度为 30 米。

使用电缆卷筒时，请务必拉出所有的电缆。

组装与调整



警告：组装与调整之前，请务必取出电池组。插入或取出电池组之前，请务必关闭工具。



警告：只使用 STANLEY 电池组和充电器。

插入或取出工具上的电池组 (图 2)



警告：为了降低严重的人身伤害风险，调整或拆除/安装附件或配件之前，请将正/反转控制按钮置于锁止位置，或关闭

工具电源并取出电池组。意外启动可能会导致人身伤害。

注：确保您的电池组 (f) 已完全充电。

将电池组安装到工具手柄中

1. 请将电池组和手柄里的凹口对齐。
2. 请将电池组紧紧地滑入手柄，直到听到锁定到位的声音。

从工具中取出电池组

1. 按下释放按钮 (g)，将电池组从工具握柄中稳妥地拉出。
2. 按本手册充电器部分所述将电池组插入充电器中。

变速触发开关 (图 1)

若要启动工具，请挤压变速触发开关 (a)。若要把工具关掉，请放开变速触发开关。

触发开关可让您以低速开始使用。您越用力按下触发器，工具便会以越快的速度运转。



警告：此工具不提供将开关锁定在 ON (开启) 位置的功能，切勿通过任何其他方式来锁定在 ON (开启) 位置。

锁止按钮

您的电锯配有锁止按钮 (b)。若要锁定触发开关 (a)，如图 3 所示按下锁止按钮。当锁止按钮被按压到锁定图标时，工具将被锁定。搬运或储存工具时务必锁定触发开关，避免意外启动。

注：只建议在开始切割时使用很低的速度。以很低的速度长时间使用可损坏电锯。

操作

使用说明



警告：请务必遵守安全指示和适用法规。



警告：为降低造成严重人身伤害的风险，在进行任何调整或卸下/安装附件或配件之前，切记将锁止按钮置于锁止位置，或关掉工具的电源并取出电池组。意外启动可能会导致人身伤害。

正确的手持方式 (图 1、4)



警告：为降低严重人身伤害的风险，请务必使用正确的手持方式，如图所示。



警告：为降低严重人身伤害的风险，请务必紧握工具以防止意外事件。

正确的手部位置要求一只手握住手柄 (e)，另一只手则握住主手柄 (d)。手的朝向根据用户偏好而定。

锯片安装和取出 (图 8)



警告：为降低造成严重人身伤害的风险，在进行任何调整或卸下/安装附件或配件之前，切记将锁止按钮置于锁止位置，或关掉工具的电源并取出电池组。意外启动可能会导致人身伤害。

有不同长度的锯片可供选用。使用适合工作的锯片。锯片应长于 3-1/2" (89 mm)，应超出锯靴长度和切割工件的厚度。建议使用 4" (102 mm) 长度锯片，以获得最佳效果。此工具不可使用线锯锯片。



警告：切割危险。切割时若锯片长度未能超出锯靴长度和工件厚度，可能发生锯片断裂 (图 6)。增加人身伤害风险，并导致锯靴和工件损坏。

将锯片安装到电锯中 (图 8)

1. 将锯片夹具释放杆 (g) 向上拉。
2. 将刀柄插入刀片夹具中 (f, 图 8)。
3. 关闭锯片夹具释放杆。
4. 注意：锯片可以锯齿朝上反装，方便进行齐平切割 (参阅图 8b)。

将锯片从电锯里取出 (图 8a、8b)



警告：灼伤危险。使用工具后请勿马上触摸锯片。接触锯片可能导致人身伤害。

1. 将锯片夹具释放杆 (g) 向上拉。
2. 取出锯片。

切割 (图 6、7、9)



警告：始终佩戴护目镜。所有用户 and 旁观者必须配戴符合 ANSI Z87.1 标准的护目镜。



警告：在朝向操作人员进行切割时须格外小心。切割时始终使用双手握紧电锯。

在切割任何种类的材料前，请确保将其稳固地固定或夹紧，防止滑动。将锯片轻轻抵住待切割的工件，开启电锯马达，待其达到最大速度后再施加压力。任何时候只要有可能，电锯锯靴必须紧紧抵住正被切割的材料。这样可以防止电锯跳起或震动，最大程度降低锯片破损风险。任何对锯片施压的切割方式，比如变向或滚动切割，都将增大震动、反冲和锯片破损的可能性。



警告：在头顶上方切割时须格外小心，要特别留意头顶上方视野无法看到的电线。提前预判下落碎条和碎片的路径。



警告：在进行盲切或切入式切割前须检查工作场地是否存有隐藏的气管、水管或电线。否则可能导致爆炸、财产损失、触电和/或严重的人身伤害。

开口/切入式切割仅限木材 (图 7)

进行开口切割的第一步就是测量待切割的表面区域，并使用铅笔、粉笔或画线器标注清楚。使用适合工作的锯片。锯片应长于 3-1/2" (89 mm)，应超出锯靴长度和切割工件的厚度。建议使用 4" (102 mm) 长度锯片，以获得最佳效果。将锯片插入锯片夹具。

之后将电锯往后倾斜，直到锯靴后缘停在工作表面，锯片没有接触到工作表面。然后挤压触发开关，等待电锯速度上来。

双手紧握电锯，让电锯锯柄小心翼翼地缓慢向上转动，保持锯靴底部与工件紧密接触。锯片将开始深入材料中。

继续开口切割前总是确保锯片完全穿透材料。

注：在查看锯片视野受限的区域，请利用电锯锯靴边缘做为参考。任何指定切割的线条应被延伸超出将要进行的切割的边缘。

金属切割 (图 9)

根据所用锯片和待切割金属的类型，您的电锯具备不同的金属切割能力。对于含铁金属使用更精制的锯片，对于有色金属材料使用粗制锯片。切割薄尺寸金属板材时最好是在板材两面都夹上木材。这将确保整洁切割，没有过多震动或金属撕裂。切记不要对切割锯片过分用力，否则将缩短锯片寿命导致代价昂贵的锯片破损。

注：在您切割金属时，为更容易操作和延长锯片寿命，通常建议您沿锯切线提前涂上一层油膜或其他润滑剂。

SCR12 可以使用所有长度的往复锯片。若要获得最佳效果，请使用 4" (102 mm) 锯片。请确保锯片超出锯靴长度和切割工件的厚度。需要时使用更长的锯片。任何时候只要有可能，电锯锯靴必须紧紧抵住正被切割的材料。这样可以防止电锯跳起或震动，最大程度降低锯片破损风险。

维护

本 STANLEY 电动工具设计精良，可以长时间使用，只需极少的维护。要连续获得令人满意的工作效果，需要进行合适的工具维护和定期清洁。



警告：为了减少严重人身伤害的危险，调整或拆卸/安装附件或配件之前，请将正/反转控制按钮锁定在关闭位置，或请务必关闭工具电源，断开电池组。意外启动可能会导致人身伤害。

充电器和电池组无法维修。这些组件内没有可以维修的部件。



润滑

本电动工具无需另行润滑。



清洁



警告：一旦看到通风口及其周围积聚了尘屑，请用干燥的空气将灰尘和尘屑从主机外壳内吹出。执行此过程时，需戴上经认可的护目装备和防尘面具。



警告：切勿使用溶剂或其他刺激性化学物质来清洁工具的非金属部件。这些化学物质可能会削弱这些部位使用的材料。请用布蘸温和的肥皂水擦拭。切勿让任何液体渗入工具，切勿让工具的任何部件浸在液体中。

充电器清洁说明



警告：触电危险。清洁前，请将充电器从交流电源插座上拔下。可用布或非金属软刷清除充电器外部的污垢和油脂。请勿使用水或任何清洁剂。

可选配件



警告：除了 STANLEY 提供的配件之外，其他配件都未经此产品兼容性测试，如果将此类配件与本工具一起使用将存在安全隐患。为降低伤害风险，本产品仅可使用 STANLEY 推荐的配件。

请向您的经销商咨询更多关于合适配件的信息。

保护环境



分类回收。本产品不得与普通家庭垃圾一起处理。

如果您发现您的 STANLEY 产品需要更换或您已经不再需要使用这些产品，请不要将它们与家庭垃圾一起处理。请将它们单独分类回收。



分类回收使用过的产品和包装能够让材料得以再循环和再利用。再生材料的再利用有助于防止环境污染，并降低对原材料的需求。

当地法规可能要求由市政废物处理点或向您出售新产品的零售商提供将家庭废物与电气产品分开收集的服务。



充电式电池组

本电池组使用寿命长，不能提供顺利完成工作所需的电力时，必须进行充电。电池技术寿命结束时，请妥善处理以保护环境：

- 耗尽电池组的电力，然后将其从工具上拆下。
- 锂离子电池是可回收的。请将它们送往您的经销商处或当地的回收站。回收的电池组将被妥善循环使用或处理。

评价

Stanley 秉持持续改进产品的政策，因此我们保留修改产品规格而不事先通知的权利。

- 标准设备和配件可能会因国家（地区）而异。
- 不同国家（地区）的产品规格也可能会有所不同。
- 并非所有的国家（地区）都可提供完整的产品系列。有关各产品系列的供货状况，请联系您当地的 Stanley 代理商。

制造商: 史丹利五金工具(上海)有限公司

制造商地址: 中国（上海）自由贸易试验区美盛路
263号

产地: 江苏苏州

12V Li-Ion 軍刀鋸 SCR121

技術資料

規格	SCR121	
電壓	V_{DC}	12
空載轉速：	min^{-1}	0 - 2700
最大功率輸出	W	140
行程長度	mm	20
重量 (不包括電池組)	kg	1.05
充電器	SC121	SC122
輸入電壓	V_{AC}	110V
輸出電壓	V_{DC}	12
輸出電流 (DC)	A	1.25
大約充電時間	min	70(1.5Ah)
電池	SCB12S	
最大電壓	12V Max	
容量	Ah	1.5

設計用途

您的 Stanley SCR121 12V Li-Ion 回復式軍刀鋸設計用於專業切割木材、金屬、塑膠和 PVC。

安全指示

電動工具一般安全警告



警告！ 請閱讀所有安全警告及指示。不遵循這些警告和說明可能會導致觸電、火災及/或嚴重傷害。

請妥善保存所有警告及說明以備將來查閱。

警告中的名詞「電動工具」是指電源驅動(插電)電動工具，或者電池驅動(充電)電動工具。

1. 工作場地安全

- 保持工作場地清潔明亮。混亂或黑暗的場地會引發事故。
- 請勿在易燃環境，如有易燃液體、氣體或粉塵的環境中操作電動工具。電動工具產生的火花會點燃粉塵或氣體。
- 請等待兒童和旁觀者離開之後才操縱電動工具。分心會導致您疏忽於控制。

2. 電氣安全

- 電動工具插頭必須與插座相符。切勿以任何方式改裝插頭。需接地的電動工具不能使用任何配接

器插頭。未經改裝的插頭與相符的插座可降低觸電風險。

- 避免人體接觸接地表面，如管道、散熱片、爐灶和冰箱。若您的身體接地，可增加觸電危險。
- 請勿將電動工具暴露在雨中或潮濕環境中。水進入電動工具會增加觸電危險。
- 請勿濫用電線。請勿使用電線來搬運、拉動電動工具或拔出插頭。讓電線遠離熱、油、銳邊和活動部件。受損或纏繞的電線會增加觸電危險。
- 若要在戶外使用電動工具，請使用適合戶外使用的延長電纜。使用適合戶外使用的電線可減少觸電危險。
- 若必須在潮濕場合使用電動工具，請使用漏電保護器 (RCD)。使用 RCD 可降低觸電危險。

3. 人身安全

- 保持警覺；在操作電動工具時，請留意所執行的操作並按照一般的常識執行。請勿在疲倦，或受到藥物、酒精或治療的影響下操作電動工具。操作電動工具期間注意力分散會導致嚴重人身傷害。
- 使用個人防護裝置。始終佩戴護目裝備。防護裝置，例如在適當條件下可使用的防塵面具、防滑安全鞋、安全帽或聽力保護等裝置可減少人身傷害。
- 避免意外啟動。連接電源及/或電池組、撿取或搬運電動工具之前，請確定開關處於關閉位置。搬運電動工具時若將手指放在開關上，或是在接通開關電源時插入插頭都會引發危險。
- 接通電動工具之前，請卸下所有的調整鑰匙及扳手。遺留在電動工具旋轉部件上的扳手或鑰匙會導致人身傷害。
- 請勿過度伸張雙手。時刻注意腳下和身體的平衡。如此即可在發生意外的情況下更好地控制電動工具。
- 適當穿著。請勿穿寬鬆衣服或佩戴飾品。讓您的頭髮、衣服和手套遠離活動部件。寬鬆衣服、佩飾和長髮可能會捲入活動部件。
- 若配備用於連接排屑裝置、集塵設備的裝置，請確定正確連接和使用這些裝置。使用集塵設備可減少與粉塵有關的危險。

4. 電動工具的使用與注意事項

- 請勿超負荷使用電動工具。根據您的用途使用適當的電動工具。使用適當的電動工具在其設計可負荷的應用內，會讓您更有效、更安全地執行工作。
- 若開關不能開啟或關閉電源，切勿使用該電動工具。不能用開關來控制的電動工具將存在危險，必須進行維修。
- 在執行任何調整、更換配件或儲存工具之前，必須從電源上拔掉插頭及/或卸下電池組。這類防護性措施可降低電動工具意外啟動的風險。

- d. 請將閒置的電動工具儲存在兒童無法接觸的地方，並且勿讓不熟悉電動工具或對這些說明不瞭解的人員操作電動工具。電動工具在未經培訓的使用者手中會發生危險。
- e. 維護電動工具。檢查活動部件是否對準或卡住、是否存在任何破損情況，或任何能影響電動工具運行的其他情況。若有損毀，必須在使用之前修理電動工具。許多事故都是由於電動工具欠缺維護所導致。
- f. 保持切削工具鋒利和清潔。妥善維護、切削鋒利的切割工具不會輕易卡住並可更輕鬆控制。
- g. 遵循使用指示、特定類型電動工具的專用方式，以及工作條件和所要執行的工作來使用電動工具、配件和工具鑽頭等。不按照設計目使用電動工具將會導致危險。

5. 電池工具的使用與注意事項

- a. 只能使用製造廠商指定的充電器為電池充電。使用僅適合一種電池組的充電器為其他類型的電池組充電會導致火災危險。
- b. 請使用原廠的電動工具電池組。使用其他非原廠的電池組會導致人身傷害和火災危險。
- c. 不使用電池組時，請將其遠離迴紋針、硬幣、鑰匙、釘子、螺釘等所有可連通電池兩極的金屬物品。將電池兩極短路會導致灼傷或火災。
- d. 濫用電池的情況下，液體會從電池中噴出，因此請避免與液體接觸。若不小心接觸液體，請用清水沖洗。若液體噴濺到眼睛上，沖洗之後還要進行治療。從電池噴出的液體會刺激皮膚或造成灼傷。

6. 檢修

- a. 本電動工具必須由合格的維修人員並只採用相同的原廠零件來執行檢修。這將確保電動工具的安全性。

軍刀鋸的其他安全指示

- 若在執行操作時切削配件可能會接觸隱藏的電線，請從絕緣手柄表面握住電動工具。若切割配件接觸到「帶電」導線，電動工具金屬部件表面就會「帶電」，從而導致操作人員觸電。
- 任何時候都須佩戴防塵面具。暴露於灰塵顆粒中可能導致呼吸困難及人身傷害。
- 切勿在鋸片卡在工件裡或接觸其他材料時開啟工具。
- 雙手遠離活動部件。雙手切勿靠近切割區域。
- 在頭頂上方切割時須倍加小心，要特別留意頭頂上方視野無法看到的電線。提前預判下落碎條和碎片的路徑。
- 切勿長時間操作此工具。本工具運行引起的震動可能對手指、手部和手臂導致永久傷害。使用手

套加強保護，不時停下休息，並限制每天使用的時間。

開啟與關閉

- 關閉電鋸之後，切勿嘗試使用手指停止鋸片。
- 關閉電鋸之前切勿將電鋸放到桌子或工作台上。關閉電鋸之後鋸片將繼續運動一會兒。

鋸切時

- 在使用切割木材的專用鋸片時，請在開始工作前清除工件上的所有釘子和金屬物體。
- 在盡可能的情况下，使用夾具和老虎鉗牢固鎖緊工件。
- 切勿嘗試鋸切極小的工件。
- 請勿將身體過份往前彎曲。確保穩固站立，尤其是站在腳手架或梯子上時。
- 務必雙手握持電鋸。
- 切割曲面或開口時，請使用適合的鋸片。

檢查及更換鋸片

- 只可使用符合這些操作指示裡所列規格的鋸片。
- 只可使用工作狀況非常良好的鋒利鋸片；破裂或彎曲的鋸片應被棄置並立即予以更換。
- 請確保鋸片固定牢固。

剩餘風險

即使應用有關的安全規定並採用安全設備，仍然還有一些無法避免的剩餘風險。

危險包括：

- 聽力受損。
- 飛散的顆粒引起的人身傷害風險。
- 操作過程中配件變熱引起的灼傷風險。
- 長時間使用引起的人身傷害風險。

工具上的標籤

您的工具上的標籤可能包含下列符號以及日期代碼：



警告！為了降低受傷的風險，使用者必須仔細閱讀使用手冊。

日期代碼的位置

日期代碼亦包括製造年份，已印刷在工具外殼上。

範例：

2019 XX JN

製造年份

所有電池充電器之重要安全指示

妥善保存這些安全指示：本說明書提供有關 SC122 充電器重要的安全和操作指示。

- 在使用充電器之前，請先閱讀所有指示以及充電器、電池組和使用電池組的產品上的警告標記。



警告：觸電危險。切勿讓任何液體進入充電器，否則可能會導致觸電。



小心：燒傷危險。為了減低受傷風險，只可以使用 STANLEY 可充電電池。其他非原廠電池可能會爆裂，導致人身傷害和損害。



小心：必須對兒童進行監督，以確保其不會玩耍本器具。

注意：在某些情況下，充電器連接到電源後，充電觸頭會被異物導致短路。導電的異物，包括但不限於研磨粉塵、金屬屑、鋼絲絨、鋁箔紙或任何由金屬粒子組成的物件，必須要遠離充電器範圍。充電器裡沒有電池組時，一定要拔掉充電器的電源。請先拔掉電源插頭後再清潔充電器。

- 切勿嘗試使用本手冊未提到的充電器替電池組充電。充電器和電池組是為了一同使用而特別設計。
- 除了為 STANLEY 可充電電池充電之外，這些充電器不可以用於其他用途。否則可能會導致火災、觸電或觸電致死。
- 切勿把充電器暴露在雨、雪之中。
- 中斷充電器的電源時，請拔除插頭而非拉扯電線。這樣會減低電源插頭和電線損壞的風險。
- 請確保電線的位置不會被踐踏、令人絆倒，或引起其他方式的損壞或受壓。
- 除非絕對需要，否則請勿使用延長電線。使用不適當的延長電線會引起火災、觸電或觸電致死。
- 請勿將任何物件放在充電器上面，或是把充電器放在可能會堵住通風槽的柔軟表面，導致充電器的內部過熱。請將充電器放到遠離熱源的位置。充電器透過外殼頂部和底部的通風槽散熱。
- 切勿操作電線或插頭損壞的充電器—請立即更換損壞的部分。
- 如果充電器受到重擊、墜落或出現其他損壞情況，請勿使用充電器，並拿到授權維修中心修理。
- 切勿自行拆卸充電器。需要維護或修理時，請拿到授權維修中心。重新組裝不當可能會導致觸電、觸電致死或火災。
- 若電源線損毀，必須讓製造廠商、檢修代理或類似合格人員更換以避免發生危險。
- 在清潔之前，請將充電器的插頭從電源插座上拔掉，這樣可以減低觸電風險。拆除電池組並不能夠降低這種風險。

- 切勿試圖將兩個充電器連接在一起。
- 充電器是為標準家用電源而設計。切勿試圖使用其他電壓。本規定不適用於車載充電器。

請保存這些安全指示

充電器

SC122 (SC121) 充電器可對 12V Max 鋰離子電池充電。

這些充電器毋須調節，極易使用。

充電程序 (圖 2)

1. 放進電池組前，先將充電器 (j) 的插頭插到適當的插座。
2. 將電池組 (g) 放進充電器。充電指示燈 (充電中) 會不斷閃爍，這表示充電程序已經開始。
3. 當充電指示燈會持續亮起時，代表充電完成。這個時候，電池組的電力全滿，可以立即使用或是留在充電器裡。

注：為了確保鋰離子電池的效能和使用壽命最大化，在第一次使用電池組之前必須將它完全充電。

充電程序

請見下表瞭解電池組的充電狀態。

充電狀態	SC122
充電中	-----  綠燈閃爍
電力全滿	————  綠燈
電池溫度高	---  紅燈閃爍
電池失效  紅燈快閃

電池組熱/冷延遲

SC122(SC121)

當充電器檢測到電池是熱的時，它將自動延遲充電，直到電池已經冷卻。

當充電器檢測到電池是冷的時，它將自動延遲充電，直到電池稍微變熱。

紅燈會繼續閃爍，電池冷卻後，充電器將恢復充電程序。

Stanley 鋰離子工具透過電子保護系統設計，保護電池免受過載、過熱或深度放電。

如果電子保護系統啟動，本工具會自動關閉。如果出現此情況，請將鋰離子電池放進充電器直到電力全滿。

僅限鋰離子電池組

鋰離子電池設計有電子保護系統，保護電池免受過載、過熱或深度放電。

如果電子保護系統啟動，本工具會自動關閉。如果出現此情況，請將鋰離子電池放進充電器直到電力全滿。

所有電池組之重要安全指示

購買更換電池組時，務必附上目錄號和電壓資料。包裝內的電池組並未完全充電。在使用電池組和充電器之前，請先閱讀以下安全指示，並遵循所列的充電程序。

請閱讀所有指示

- 不要在易爆環境，如有易燃液體、氣體或粉塵的環境中進行充電或使用電池。將電池組放進充電器或拆除電池可能會點燃粉塵或氣體。
- 切勿強行將電池放進充電器。切勿以任何方式改裝電池組以在不相容的充電器中使用，否則電池組可能會破裂，導致嚴重人身傷害。
- 只可使用 STANLEY 充電器為電池充電。
- 請勿將水分或其他液體飛濺到電池組或將電池組浸沒。
- 請勿在溫度可能達到或超過 40°C (105°F) 的地方 (例如夏季時沒有遮擋的棚子或金屬建築物) 儲存或使用本工具和電池。



警告： 不論是因為任何理由，都不要嘗試打開電池。如果電池組的外殼破裂或損毀，請勿放進充電器。切勿撞擊、摔落或損毀電池組。切勿使用受到重擊、墜落或出現其他損壞情況的電池組或充電器 (例如釘子刺穿、以錘子敲打或踩踏)。否則可能會引起觸電或觸電致死。損毀的電池組應該送回維修中心進行回收。



小心： 不使用工具時，請將工具平放在沒有絆倒或跌落危險的穩定平面上。一些具有大型電池組的工具可以直立但可能會輕易被撞倒。

鋰離子 (Li-Ion) 之特殊安全指示

- 即使電池組已嚴重損毀或磨損，請勿焚燒電池組。電池組可能會在火中爆炸。焚燒鋰離子電池組時會產生有毒氣體和物料。
- 如果電池液體接觸到皮膚，請立即以中性肥皂和清水沖洗接觸範圍。若電池液進入眼睛，立即用清水沖洗 15 分鐘或直到刺激消失。如果需要接受治療，電池的電解質由液化有機碳酸鹽和鋰鹽構成。
- 開啟的電池中的物質可能會導致刺激呼吸道。請轉移至空氣流通處。如果症狀持續，請尋求醫療協助。



警告： 燒傷危險。電池液如遇到火花或火焰可能會引起燃燒。

運輸

STANLEY 電池符合所有使用的行業和法律標準規定的運輸規定，包括聯合國危險貨物運輸建議書、國際航空運輸協會 (IATA) 危險物品處理規則、國際海運危險物品 (IMDG) 處理規則以及國際公路運送危險物品歐洲協議 (ADR)。鋰離子電池和電池組均已根據《聯合國危險貨物運輸建議書測試與標準手冊》第 38.3 節的規定進行測試。

大多數情況下，運輸 STANLEY 電池組不會被歸為完全管制的第 9 類危險品。屬於第 9 類危險品運輸的情況通常有兩種：

1. 空運兩個以上的 STANLEY 鋰離子電池組，且包裝中只包含電池組 (不含工具)，以及
2. 任何運輸中包含能量級大於 100 瓦時 (Wh) 的鋰離子電池。所有鋰離子電池外殼上均標註有瓦時等級。

無論運輸是否納入完全管制範圍內，運輸方均有責任諮詢瞭解針對包裝、標籤/標記及單據要求的最新規定。

電池運輸途中，若兩級意外接觸導電材料，可能會引發火災。運輸電池時，確保電池兩級受到保護並與可能接觸兩級並導致短路的材料隔絕。

手冊本節資訊基於良好商譽原則提供，在編製文件時被視為準確無誤，但不提供任何明示或暗示的保證。買方負有確保其行為遵守適用法規的責任。

電池組

電池類型

SCR121 使用 12V 電池組。

儲存建議

1. 乾燥、涼爽、太陽不會直接照射、不會過熱或過冷的地方，就是電池組的最佳存放地點。為達到最大效能和使用壽命，不使用電池時請以室溫儲存電池組。
2. 欲長期儲存，建議將電力全滿的電池組從充電器卸下，儲存於涼爽、乾燥處，使電池組效能達到最佳。

註： 電池組不應在電力耗盡的情況下儲存。在使用之前，電池組必須再次充電。

充電器和電池組上的標籤

除了本手冊的圖示之外，充電器和電池組上的標籤包含以下圖示：



使用前請閱讀使用手冊。





充電時間請見技術資料。



電池正在充電。



電池充電完畢。



電池受損。



電池組熱/冷延遲。



切勿插入導電體。



切勿為損毀的電池組充電。



切勿暴露在水中。



立即更換損壞的電線。



只在溫度介於 4°C 至 40°C 之間充電。



僅供室內使用。



棄置電池組時要顧及環保。



只使用原廠的 STANLEY 充電器 為 STANLEY 電池組充電。使用 STANLEY 充電器對指定的 STANLEY 電池以外的電池組充電會爆裂或導致其他危險情形。



切勿焚化電池組。

套裝內的物件

本套裝包括：

- 1 充電式軍刀鋸
 - 1 充電器
 - 2 電池組 (S2) 或 1 電池組 (S1)
 - 1 使用手冊
- 檢查工具、部件或配件有否在運送途中損壞。
 - 操作前，請抽空徹底地閱讀和掌握本手冊的內容。

說明 (圖 1)



警告： 切勿改動本電動工具或其任何部件，可能導致損害或人身傷害。

- a. 觸發開關
- b. 鎖止按鈕
- c. 鋸片夾具
- d. 主手柄
- e. 手柄
- f. 電池組
- g. 電池組釋放按鈕

切勿在潮濕有水或存有易燃液體或氣體的環境下使用工具。

此往復鋸是專業的電動工具。

不要讓兒童接觸本工具。缺乏經驗的操作人員需要在監督下使用本工具。

- 體力、感覺或智力不足，或者缺乏經驗及/或知識的人員 (包括小孩) 不適合使用本產品，除非負責他們安全的人員已經為他們提供關於使用此器具的監督。切勿讓兒童單獨耍玩本工具。

電氣安全

電動機只適用一種電壓。請務必檢查電池組電壓是否與銘牌一致，並且確保充電器的電壓與電源電壓一致。



STANLEY 充電器根據 EN 60335 進行雙重絕緣，因此不需要使用接地線。

若電源線損壞，必須使用 STANLEY 維修機構提供的專用電線進行更換。

使用延長纜線

如非絕對必要，否則不要使用延長電線。請使用與充電器的輸入功率相配的認可延長電纜 (請參閱技術資料)。導電體的最小尺寸為 1 平方公釐；最長為 30 米。

使用電源線捲筒時，每次必須把電纜完全展開。

裝配與調整



警告： 每次進行組裝和調整之前，務必取出電池組。放進或取出電池組之前，務必關掉工具的電源。



警告： 只可以使用 STANLEY 電池組和充電器。

安裝和取出電池組 (圖 2)



警告： 為了減低造成嚴重人身傷害的風險，在進行任何調整或卸下或安裝附件或配件之前，切記將正/反轉按鈕置於鎖止位置，或關掉工具的電源並取出電池組。意外啟動工具可能會造成傷害。

註：確保電池組 (f) 完全充滿。

將電池組安裝到工具手柄中

1. 將電池組和手柄裡的軌道對齊。
2. 將電池組緊緊地滑入手柄，直到聽到鎖定到位的聲音。

卸下工具內的電池

1. 按下電池釋放按鈕 (g)，將電池組從工具手柄中穩妥地拉出。
2. 按照本手冊有關充電器的章節所述，將電池組放進充電器。

變速觸發開關 (圖 1)

若要啟動工具，請擠壓變速觸發開關 (a)。若要把工具關掉，請放開變速觸發開關。

觸發開關可讓您以低速開始使用。您愈用力擠壓觸發器，工具便會以更快的速度運轉。



警告： 此工具不提供將開關鎖定在開啟 (ON) 位置的功能，請切勿透過任何其他方式來鎖定開啟 (ON)。

鎖止按鈕

您的電鋸配有鎖止按鈕 (b)。若要鎖定觸發開關，請按下鎖止按鈕 (a)，如圖 3 所示。將鎖止按鈕按壓到鎖定圖示時，工具將被解鎖。搬運或儲存工具時務必鎖定觸發開關，避免意外啟動。

註：只建議在開始切割作業時使用很低的速度。以很低的速長時間使用可損壞電鋸。

操作

使用說明



警告： 務必遵守安全指示和適用的規則。



警告： 為了減低造成嚴重人身傷害的風險，在進行任何調整或卸下／安裝附件或配件之前，切記將鎖止按鈕置於鎖止位置，或關掉工具的電源並取出電池組。意外啟動工具可能會造成傷害。

手的正確位置 (圖 1、4)



警告： 為降低遭受嚴重人身傷害的風險，務必如圖示那樣正確放置雙手。



警告： 為了減低嚴重人身傷害的風險，預期有突然反應時務必握緊。

正確的雙手放置位置是將一隻手放在主手柄 (d) 上，另一隻手握握手柄 (e)。手的朝向視用戶喜好而定。

鋸片安裝和取出 (圖 8)



警告： 為了減低造成嚴重人身傷害的風險，在進行任何調整或卸下／安裝附件或配件之前，切記將鎖止按鈕置於鎖止位置，或關掉工具的電源並取出電池組。意外啟動工具可能會造成傷害。

備有不同長度的鋸片供使用。請選用適合作業的鋸片。鋸片應長於 3-1/2" (89 mm)，並應超出導板長度和切割工件的厚度。建議使用 4" (102 mm) 長度鋸片，以獲得最佳效能。請勿在此工具上使用線鋸鋸片。



警告： 切割危險。切割時若鋸片長度未能超出導板長度和切割工件的厚度，可能發生鋸片斷裂 (圖 6)。這將會增加人身傷害的風險，並導致導板和工件損壞。

將鋸片安裝到電鋸中 (圖 8)

1. 將鋸片夾具釋放桿 (g) 向上拉。
2. 將刀柄插入刀片夾具中 (f，圖 8)。
3. 關閉鋸片夾具釋放桿。
4. 注意：鋸片可以鋸齒朝上反裝，方便進行齊平切割 (參閱圖 8b)。

將鋸片從電鋸裡取出 (圖 8a、8b)



小心： 燒傷危險。使用工具後請勿馬上去觸摸鋸片。接觸鋸片可能會導致人身傷害。

1. 將鋸片夾具釋放桿 (g) 向上拉。
2. 取出鋸片。

切割 (圖 6、7、9)



警告： 始終佩戴護目鏡。所有用戶和旁觀者必須配戴符合 ANSI Z87.1 標準的護目鏡。



警告： 在朝向操作人員進行切割時須倍加小心。切割時務必始終使用雙手握緊電鋸。

在切割任何種類的材料前，請確保將其穩固地固定或夾緊，防止滑動。將鋸片輕輕抵住待切割的工件，開啟電鋸的電動機，待其達到最大速度後再施加壓力。任何時候只要有可能，電鋸導板必須緊緊抵住正被切割的材料。這樣可以防止電鋸跳起或震動，最大程度降低鋸片斷裂風險。任何對鋸片施壓的切割方式，比如變向或滾動切割，都將增大震動、反衝和鋸片破損的可能性。



警告： 在頭頂上方切割時須倍加小心，要特別留意頭頂上方視野無法看到的電線。提前預判下落碎條和碎片的路徑。



警告： 在進行盲切或切入式切割前須檢查工作場地是否存在隱藏的氣管、水管或電線。否則可能導致爆炸、財產損失、觸電和／或嚴重的人身傷害。

開口/切入式切割 - 僅限木材 (圖 7)

進行開口切割的第一步就是測量待切割的表面區域，並使用鉛筆、粉筆或畫線器標註清楚。請選用適合作業的鋸片。鋸片應長於 3-1/2" (89 mm)，並應超出導板長度和切割工件的厚度。建議使用 4" (102 mm) 長度鋸片，以獲得最佳效能。將鋸片插入鋸片夾具。

之後將電鋸往後傾斜，直到導板後緣停留在作業表面，鋸片沒有接觸到作業表面。然後擠壓觸發開關，等待電鋸速度上來。

雙手緊握電鋸，讓電鋸手柄小心翼翼地緩慢向上轉動，保持導板底部與工件緊密接觸。鋸片將開始深入材料中。

繼續開口切割前請務必確保鋸片完全穿透材料。

注：在視野受限、無法看見鋸片的區域，請利用電鋸導板邊緣做為參考。任何指定切割的線條應被延伸超出將要進行的切割的邊緣。

金屬切割 (圖 9)

視乎所用鋸片和待切割金屬的類型，您的電鋸具備不同的金屬切割能力。對於含鐵金屬使用更精製的鋸片，對於有色金屬材料使用粗製鋸片。切割薄尺寸金屬板材時最好在板材兩面都夾上木材。這將確保精確切割，沒有過多震動或金屬撕裂。切記不要對切割鋸片過分用力，否則將縮短鋸片壽命並導致鋸片斷裂，此後果代價將非常昂貴。

注：在您切割金屬時，為更容易操作並延長鋸片壽命，通常建議您沿切割線提前塗上一層油膜或其他潤滑劑。

SCR121 可以使用所有長度的往復鋸片。若要獲得最佳效果，請使用 4" (102 mm) 鋸片。請確保鋸片超出導板長度和切割工件的厚度。需要時使用更長的鋸片。任何時候只要有可能，電鋸導板必須緊緊抵住正被切割的材料。這樣可以防止電鋸跳起或震動，最大程度降低鋸片斷裂風險。

維護

STANLEY 電動工具採用卓越的設計，能夠長時間使用，並且只需最少的維護。若要持續獲得滿意的操作效果，需進行正確的工具維護與定期的清潔。



警告：為了減低造成嚴重人身傷害的風險，在進行任何調整或卸下或安裝附件或配件之前，切記將正/反轉按鈕置於鎖止位置，或關掉工具的電源並取出電池組。意外啟動工具可能會造成傷害。

充電器和電池組是不可檢修的裝置。充電器和電池組內不含可檢修的部件。



潤滑

本電動工具毋需額外潤滑。



清潔



警告：一旦通風口及其周圍積聚可見的粉塵，請立即使用乾燥的壓縮空氣吹掉主機外殼內的粉塵和灰塵。執行此步驟時，請佩戴經認可的護目裝備和防塵面罩。



警告：切勿使用溶劑或其他刺激性化學品來清潔工具的非金屬部件。這些化學品可能會削弱部件中使用的材料。只能使用抹布蘸中性肥皂水進行清潔。不要讓任何液體進入工具；不要讓工具的任何部分浸入液體中。

充電器清潔指示



警告：觸電危險。在清潔之前，請將充電器的插頭從電源插座上拔掉。使用軟布或非金屬軟刷，去除充電器外部的污垢和油脂。請勿使用水或任何清潔劑。

選購配件



警告：由於非 STANLEY 所提供的配件未在本產品上進行過使用測試，在本產品上使用這些配件可能會導致危險。為降低傷害危險，在本產品上只應使用 STANLEY 所推薦的配件。

如需進一步瞭解適用配件的相關資訊，請洽詢當地代理商。

保護環境



分類收集。本產品必須與一般家庭廢物分開處置。

若您發現您的 STANLEY 產品需要進行替換，或您已經不再需要使用這些產品，請不要將它們與家庭廢物一起處置。請確保本產品可供分類收集。



透過分開收集用過的产品與包裝，可以實現材料的循環再生利用。重新使用回收的材料有助於防止環境污染，並降低對原材料的需求。

當地法規可能要求由市政廢物回收點，或由向您出售新產品的經銷商來提供將電子產品與家庭廢物分類收集的服務。



可充電電池組

本電池組使用壽命長，如無法完成理應輕鬆完成的工作時，必須為電池組充電。在使用壽命結束時，請妥善處置以保護我們的環境：

- 使電池完全放電，然後將它從工具中卸下。
- 鋰離子電池是可回收的。請將它們送往您的代理商或當地的回收站。所收集的電池組將會再循環利用或妥善處置。

附註

Stanley 的政策是持續改善我們的產品，因此，我們保留隨時修改產品規格的權利，恕不另行通知。

- 標準裝置和配件可能會根據不同的國家/地區而有所不同。
- 產品規格可能會根據不同的國家而有所不同。
- 並非所有的國家/地區都將提供完整的產品系列。如需各產品系列的供應情況，請聯絡您當地的 Stanley 代理商。

進口商: 新加坡商百得電動工具(股)台灣分公司

地址: 台北市北投區裕民六路 120 號 4 F

電話: 02-28201065

總經銷商: 永安實業股份有限公司

地址: 新北市三重區新北大道二段 137 號

電話: 02-29994633

GERGAJI YANG BERGERAK MAJU MUNDUR Li-Ion 12V SCR121

Data teknis

SPESIFIKASI		SCR121	
Voltase	V_{DC}	12	
Kecepatan tanpa beban:	mnt ¹	0–2700	
Output daya maks	W	140	
Panjang pemotongan	mm	20	
Berat (tanpa baterai)	kg	1,05	
PENGISI DAYA		SC121	SC122
Voltase Input	V_{AC}	220-240	220-240
Voltase Output	V_{DC}	22	12
Arus Output(DC)	A	1.25	1.25
Kisaran waktu isi daya	mnt	70(1.5Ah)	70(1.5Ah)
Baterai		SCB12S	
Voltase	V_{DC}	12V Max	
Kapasitas	Ah	1.5	
Tipe	Li-Ion		

Tujuan penggunaan

Gergaji yang Bergerak Maju Mundur Li-Ion 12V SCR121 Stanley telah dirancang untuk memotong kayu, logam, plastik, dan PVC.

Petunjuk Keselamatan

Peringatan Keselamatan Alat Listrik Umum



PERINGATAN! Baca seluruh petunjuk dan peringatan keselamatan. Kegagalan untuk mengikuti peringatan dan instruksi dapat mengakibatkan sengatan listrik, kebakaran, dan/atau cedera berat.

SIMPAN SELURUH PERINGATAN DAN INSTRUKSI UNTUK RUJUKAN DI MASA DEPAN. Istilah "alat listrik" dalam peringatan merujuk pada alat listrik beroperasi listrik induk (berkabel) atau alat listrik beroperasi baterai (nirkabel).

1. Keselamatan area kerja

- Jaga agar area kerja tetap bersih dan terang.** Area yang berantakan atau gelap berpotensi mengakibatkan kecelakaan.
- Jangan mengoperasikan alat listrik di lingkungan yang mudah menimbulkan bahaya ledakan, seperti di tempat yang terdapat cairan, gas, atau debu yang mudah terbakar.** Alat listrik menimbulkan percikan api

yang dapat menyulut debu atau asap.

- Jauhkan anak-anak dan orang yang berada di sekitar, sewaktu mengoperasikan alat listrik.** Gangguan dapat menyebabkan Anda kehilangan kendali.
- Keselamatan kelistrikan**
 - Steker perkakas listrik harus sesuai dengan soketnya. Jangan pernah memodifikasi steker dengan cara apa pun. Jangan gunakan steker adaptor apa pun dengan alat listrik yang dibumikan (grounded).** Steker yang tidak dimodifikasi dan stopkontak yang sesuai akan mengurangi risiko sengatan listrik.
 - Jagalah agar badan Anda tidak bersentuhan dengan permukaan yang dibumikan, seperti pipa, radiator, kompor, dan kulkas.** Risiko sengatan listrik dapat meningkat jika tubuh Anda bersentuhan dengan permukaan yang dibumikan.
 - Jangan sampai alat listrik ini terkena hujan atau terpapar pada kondisi yang basah.** Air yang masuk ke alat listrik akan meningkatkan risiko sengatan listrik.
 - Jangan menyalahgunakan kabel. Jangan sekali-kali menggunakan kabel untuk membawa, menarik, atau mencabut alat listrik. Jauhkan kabel dari panas, minyak, tepi tajam, atau komponen yang bergerak.** Kabel yang rusak atau terbelit meningkatkan risiko sengatan listrik.
 - Bila mengoperasikan alat listrik di luar ruangan, gunakan kabel ekstensi yang sesuai untuk penggunaan di luar ruangan.** Menggunakan kabel yang sesuai untuk penggunaan di luar ruangan akan mengurangi risiko sengatan listrik.
 - Jika penggunaan alat listrik di lokasi yang lembap tidak dapat dihindari, gunakan suplai yang terlindungi oleh perangkat arus sisa (RCD).** Penggunaan RCD akan mengurangi risiko sengatan listrik.
 - Keselamatan diri**
 - Tetap waspada, perhatikan apa yang Anda kerjakan dan gunakan akal sehat saat mengoperasikan perkakas listrik. Jangan mengoperasikan alat listrik bila Anda sedang lelah, atau berada di bawah pengaruh obat, alkohol, atau pengobatan.** Kelengahan sesaat saja ketika mengoperasikan alat listrik dapat menyebabkan cedera diri yang parah.
 - Gunakan peralatan pelindung diri. Selalu kenakan alat pelindung mata.** Peralatan pelindung, seperti masker debu, sepatu keselamatan antiselip, helm proyek, atau pelindung telinga yang digunakan untuk kondisi yang sesuai akan mengurangi risiko cedera diri.
 - Hindari menyalakan alat tanpa disengaja. Pastikan bahwa sakelar sudah dalam posisi mati sebelum menghubungkannya ke sumber listrik dan/atau**

- baterai, mengambil, atau membawa alat.** Membawa alat listrik dengan jari Anda yang masih menempel pada sakelar atau menghidupkan alat listrik yang sakelarnya masih menyala akan berpotensi mengakibatkan kecelakaan.
- d. **Lepaskan semua kunci setelan atau kunci pas sebelum menghidupkan alat listrik.** Kunci pas atau kunci yang dibiarkan terpasang pada komponen alat listrik yang berputar dapat mengakibatkan cedera diri.
 - e. **Jangan menjangkau melampaui batas. Selalu jaga pijakan dan keseimbangan yang baik.** Hal ini memungkinkan Anda untuk mengendalikan alat listrik dengan lebih baik dalam situasi yang tidak terduga.
 - f. **Kenakan pakaian yang sesuai. Jangan mengenakan pakaian longgar atau perhiasan. Jauhkan rambut, pakaian dan sarung tangan dari komponen yang bergerak.** Pakaian yang longgar, perhiasan, atau rambut panjang dapat tersangkut pada komponen yang bergerak.
 - g. **Jika disediakan perangkat untuk sambungan fasilitas pengeluaran dan pengumpulan debu, pastikan alat ini dihubungkan dan digunakan dengan sesuai.** Penggunaan alat pengumpul debu dapat mengurangi bahaya yang ditimbulkan oleh debu.
4. **Penggunaan dan pemeliharaan alat listrik**
 - a. **Jangan menggunakan perkakas listrik dengan paksa. Gunakan alat listrik yang sesuai untuk aplikasi Anda.** Alat listrik yang tepat akan bekerja lebih baik dan aman pada tingkat kelajuan yang telah dirancang untuk alat itu.
 - b. **Jangan gunakan alat listrik ini jika sakelar tidak dapat menghidupkan dan mematikan alat.** Alat listrik apa pun yang tidak dapat dikendalikan dengan sakelar adalah berbahaya dan harus diperbaiki.
 - c. **Lepaskan stopkontak dari sumber listrik dan/atau baterai dari alat listrik sebelum melakukan penyetelan apa pun, mengganti aksesoris, atau menyimpan alat listrik.** Tindakan pencegahan untuk keselamatan seperti itu akan mengurangi risiko menyalakan alat listrik secara tidak disengaja.
 - d. **Simpan alat listrik yang tidak digunakan jauh dari jangkauan anak-anak, dan jangan membolehkan orang yang tidak memahami alat listrik atau petunjuk ini untuk mengoperasikannya.** Alat listrik bisa berbahaya bila digunakan oleh pengguna yang tidak terlatih.
 - e. **Rawat perkakas listrik. Lakukan pemeriksaan untuk mengetahui apakah ada komponen bergerak yang tidak sejajar atau bengkok, komponen yang patah, dan kondisi lainnya yang dapat memengaruhi pengoperasian perkakas listrik. Jika rusak, perbaiki alat listrik sebelum digunakan.** Banyak terjadi
- kecelakaan akibat alat listrik yang tidak terawat baik.
- f. **Jaga ketajaman dan kebersihan alat pemotong.** Alat pemotong yang terawat dengan baik dengan mata potong yang tajam akan kecil kemungkinannya untuk macet serta lebih mudah untuk dikendalikan.
 - g. **Gunakan alat listrik, aksesoris, dan mata bor, dsb., sesuai instruksi-instruksi ini, dengan memperhitungkan persyaratan kerja dan jenis pekerjaan yang harus dilakukan.** Menggunakan alat listrik untuk pengoperasian yang berbeda dengan yang dimaksudkan akan mengakibatkan situasi yang membahayakan.
5. **Penggunaan dan perawatan alat baterai**
 - a. **Isi ulang daya baterai hanya dengan pengisi daya yang ditetapkan oleh pabrik.** Pengisi daya yang cocok untuk satu tipe baterai dapat menimbulkan risiko kebakaran jika digunakan pada baterai lainnya.
 - b. **Gunakan alat listrik hanya dengan baterai yang telah ditentukan secara khusus.** Penggunaan baterai lainnya dapat menimbulkan risiko cedera dan kebakaran.
 - c. **Pada saat baterai tidak dipakai, jauhkan baterai dari benda logam seperti klip penjepit kertas, koin, kunci, paku, sekrup, atau benda logam kecil lainnya yang dapat membuat hubungan dari satu terminal dengan terminal lainnya.** Menghubungkan kedua terminal baterai dengan kabel secara tidak semestinya dapat mengakibatkan luka bakar atau kebakaran.
 - d. **Pemakaian yang salah bisa menyebabkan keluarnya cairan dari baterai; hindari kontak. Jika tidak sengaja tersentuh, bilas dengan air. Jika cairan mengenai mata, carilah juga bantuan medis.** Cairan yang keluar dari baterai dapat menyebabkan iritasi atau luka bakar.
 6. **Servis**
 - a. **Alat listrik sebaiknya diservis oleh teknisi yang berkualifikasi dan hanya menggunakan komponen pengganti yang persis sama.** Ini akan menjamin keselamatan alat terpelihara.

Petunjuk Keselamatan Tambahan untuk Gergaji yang Bergerak Maju Mundur

- **Pegang alat listrik pada permukaan pegangan berpenyekat saat melakukan pengoperasian di mana aksesoris pemotong dapat bersentuhan dengan kabel tersembunyi.** Aksesoris pemotong yang bersentuhan dengan kabel bertegangan listrik akan mengalirkan arus listrik pada komponen logam perkakas listrik dan mengakibatkan sengatan listrik pada pengguna.
- **SELALU kenakan masker debu.** Menghirup partikel debu secara terus-menerus dapat mengakibatkan kesulitan bernapas dan risiko cedera.
- **Jangan pernah menyalakan alat bila bilah gergajinya macet**

pada benda kerja atau bersentuhan dengan bahan lain.

- **Jauhkan kedua tangan dari komponen yang bergerak.** Jangan sekali-kali meletakkan tangan Anda dekat area potong.
- **Lebih berhati-hati saat memotong di atas kepala dan perhatikan betul kabel di atas kepala yang mungkin tidak tampak.** Antisipasi arah jatuhnya cabang dan serpihan terlebih dahulu.
- **Jangan operasikan alat ini untuk jangka waktu yang lama.** Getaran yang disebabkan oleh pengoperasian alat ini dapat menyebabkan cedera permanen pada jari, tangan, dan lengan. Gunakan sarung tangan untuk memberikan bantalan tambahan, ambil waktu istirahat sesering mungkin, dan batasi waktu penggunaan sehari-hari.

Menyalakan dan mematikan

- Setelah mematikan, jangan pernah mencoba untuk menghentikan bilah gergaji dengan jari-jari Anda.
- Jangan pernah menaruh gergaji di atas meja atau bangku kerja kecuali dimatikan. Bilah gergaji akan tetap berjalan sebentar setelah alat dimatikan.

Saat menggunakan

- Saat menggunakan bilah gergaji yang dirancang khusus untuk memotong kayu, membuang semua paku, dan benda logam dari benda kerja sebelum memulai pekerjaan.
- Jika memungkinkan, gunakan penjepit dan catok untuk mengencangkan benda kerja dengan aman.
- Jangan mencoba untuk menggergaji benda kerja yang sangat kecil.
- Jangan terlalu membungkuk ke depan. Pastikan bahwa Anda selalu berdiri tegak, terutama pada perancah dan tangga.
- Selalu pegang gergaji dengan kedua tangan.
- Untuk memotong lekukan dan kantong, gunakanlah bilah gergaji yang disesuaikan.

Memeriksa dan mengganti bilah gergaji

- Hanya gunakan bilah gergaji yang sesuai dengan spesifikasi yang terdapat dalam petunjuk pengoperasian.
- Hanya gunakan bilah gergaji tajam dalam kondisi kerja yang sempurna; bilah gergaji yang retak atau bengkok harus langsung dibuang dan diganti.
- Pastikan bahwa bilah gergaji terpasang rapat.

Risiko-risiko lain

Sekalipun peraturan keselamatan terkait sudah diterapkan dan peralatan pengaman sudah digunakan, risiko-risiko lain tertentu tidak dapat dihindari.

Antara lain:

- Kerusakan indera pendengaran.
- Risiko cedera pribadi karena partikel-partikel yang beterbangan.
- Risiko luka bakar karena aksesoris menjadi panas selama operasi.
- Risiko cedera pribadi karena penggunaan berkepanjangan.

LABEL PADA ALAT

Label pada alat Anda dapat memuat simbol-simbol berikut ini dengan kode tanggal:



PERINGATAN! Untuk mengurangi risiko cedera, pengguna harus membaca buku petunjuk.

POSISI KODE TANGGAL

Kode Tanggal, yang juga mencantumkan tahun produksi, dicetak pada kerangka alat.

Contoh

2019 XX JN
Tahun pembuatan

Petunjuk Keselamatan Penting untuk Semua Pengisi Daya Baterai

SIMPAN PETUNJUK-PETUNJUK INI: Buku petunjuk ini mencantumkan petunjuk keselamatan dan pengoperasian penting untuk pengisi daya baterai SC121.

- Sebelum menggunakan pengisi daya, baca seluruh petunjuk dan tanda peringatan pada pengisi daya, baterai, dan produk menggunakan baterai.



PERINGATAN: Bahaya sengatan listrik. Jika agar tidak ada cairan masuk ke dalam pengisi daya. Ini dapat mengakibatkan sengatan listrik.



PERHATIAN: Bahaya terbakar. Untuk mengurangi risiko cedera, hanya lakukan pengisian daya untuk baterai STANLEY yang dapat diisi ulang daya. Jenis baterai lain dapat pecah, sehingga menyebabkan cedera diri dan kerusakan.



PERHATIAN: Anak-anak harus diawasi agar mereka tidak bermain-main dengan peralatan ini.

PEMBERITAHUAN: Dalam kondisi-kondisi tertentu, saat pengisi daya terhubung dengan catu daya, pengisi daya dapat korslet karena adanya benda asing. Benda-benda asing bersifat penghantar listrik semacam ini dapat berupa, namun tidak terbatas pada, debu dari

pengasahan, serpihan logam, serat baja, kertas aluminium, atau tumpukan partikel-partikel logam, yang semuanya harus dijauhkan dari rongga-rongga pengisi daya. Selalu cabut pengisi daya dari catu daya bilamana tidak ada baterai dalam rongga. Cabut pengisi daya sebelum membersihkannya.

- **JANGAN berusaha mengisi daya baterai dengan pengisi daya apa pun lainnya selain yang disebutkan dalam buku petunjuk ini.** Pengisi daya dan baterai dirancang khusus untuk digunakan bersama.
- **Pengisi daya ini tidak ditujukan untuk penggunaan apa pun lainnya selain mengisi daya baterai STANLEY yang dapat diisi daya ulang.** Penggunaan lain dapat mengakibatkan risiko kebakaran, sengatan listrik, atau kematian karena sengatan listrik.
- **Jangan paparkan pengisi daya pada hujan atau salju.**
- **Cabut steker, bukan kabel, pada saat melepas pengisi daya.** Ini akan mengurangi risiko kerusakan steker dan kabel listrik.
- **Pastikan letak kabel sudah aman agar tidak terinjak, menyebabkan tersandung, atau rentan rusak atau tertekan.**
- **Jangan gunakan kabel sambungan kecuali jika mutlak diperlukan.** Penggunaan kabel sambungan yang tidak tepat dapat mengakibatkan risiko kebakaran, sengatan listrik, atau kematian akibat sengatan listrik.
- **Jangan meletakkan benda apa pun di atas pengisi daya atau menempatkan pengisi daya di permukaan yang lunak yang mungkin menghalangi celah ventilasi dan mengakibatkan panas internal yang berlebihan.** Posisikan pengisi daya jauh dari sumber panas apa pun. Pengisi daya mendapatkan ventilasi melalui celah di bagian atas dan bagian bawah wadah.
- **Jangan mengoperasikan pengisi daya dengan kabel atau steker yang rusak — segera ganti.**
- **Jangan gunakan pengisi daya apabila telah terhantam keras, jatuh, atau rusak dengan cara apa pun.** Bawa ke pusat servis resmi.
- **Jangan bongkar pengisi daya; bawa ke pusat servis resmi bilamana membutuhkan servis atau reparasi.** Perakitan ulang yang keliru dapat mengakibatkan risiko sengatan listrik, kematian akibat sengatan listrik, atau kebakaran.
- Jika yang rusak adalah kabel catu daya, maka harus segera diganti oleh pabrik pembuat, agen servisnya, atau teknisi ahli serupa untuk mencegah bahaya apa pun.
- **Lepas pengisi daya dari stopkontak sebelum dibersihkan.** Ini akan mengurangi risiko sengatan listrik. Melepaskan baterai tidak dapat mengurangi risiko ini.
- **JANGAN PERNAH** menghubungkan 2 pengisi daya.

- **Pengisi daya dirancang untuk beroperasi pada daya listrik rumah standar. Jangan pernah gunakan pada voltase lain.** Ini tidak berlaku bagi pengisi daya kendaraan.

SIMPAN PETUNJUK-PETUNJUK INI

Pengisi daya

Pengisi daya baterai SC122 (SC121) menerima baterai Li-Ion 12V Max.

Pengisi daya ini tidak membutuhkan penyesuaian dan dirancang untuk dapat dioperasikan semudah mungkin.





Prosedur Pengisian Daya (gambar 2)

1. Sambungkan pengisi daya (f) pada stop kontak yang sesuai sebelum memasukkan baterai.
2. Masukkan baterai (g) ke dalam pengisi daya. Lampu pengisian daya akan terus berkedip, menandakan bahwa proses pengisian daya sudah dimulai.
3. Lampu pengisian daya akan MENYALA terus-menerus sebagai indikasi bahwa pengisian daya sudah selesai. Kemasan sudah terisi daya penuh dan dapat digunakan sekarang, atau dibiarkan di dalam pengisi daya.

CATATAN: Untuk memastikan kinerja maksimum dan masa pakai baterai Li-Ion, isi ulang daya baterai sampai penuh sebelum pemakaian pertama.

Proses Pengisian Daya

Lihat tabel di bawah ini untuk mengetahui status pengisian daya baterai.

Status pengisian daya	SC122
mengisi daya 	berkedip hijau
terisi penuh 	lampu hijau
baterai panas 	berkedip merah
Baterai cacat 	Kilat merah

PENUNDAAN KEMASAN PANAS/DINGIN SC122(SC121)

Pengisi daya SC122(SC121) memiliki fitur penundaan panas/dingin. Ketika pengisi daya mendeteksi bahwa baterai panas, maka pengisi daya secara otomatis menunda pengisian daya sampai baterai telah menjadi dingin.

Ketika pengisi daya mendeteksi bahwa baterai dingin, maka pengisi daya secara otomatis menunda pengisian daya sampai baterai telah menjadi hangat.

Lampu merah akan terus berkedip, tapi lampu indikator kuning akan menyala selama operasi ini. Setelah baterai menjadi dingin, lampu kuning akan

mati dan pengisi daya akan melanjutkan prosedur pengisian daya.

Alat Li-Ion Stanley dirancang dengan Sistem Perlindungan Elektronik yang akan melindungi baterai dari kelebihan beban, suhu yang terlalu panas, dan kotoran yang membandel.

Alat akan mati secara otomatis bilamana Sistem Perlindungan Elektronik mulai bekerja. Jika ini terjadi, maka tempatkan baterai Li-Ion pada pengisi daya sampai terisi daya penuh.

HANYA BATERAI LI-ION

Baterai Li-Ion dirancang dengan Sistem Perlindungan Elektronik yang akan melindungi baterai dari kelebihan beban, suhu yang terlalu panas, dan kotoran yang membandel.

Alat akan mati secara otomatis bilamana Sistem Perlindungan Elektronik mulai bekerja. Jika ini terjadi, maka tempatkan baterai Li-Ion pada pengisi daya sampai terisi daya penuh.

Petunjuk Keselamatan Penting untuk Semua Baterai

Saat memesan baterai pengganti, pastikan Anda menyebutkan nomor katalog dan voltase.

Baterai tidak sepenuhnya terisi di luar karton. Sebelum menggunakan baterai dan pengisi baterai, baca petunjuk keselamatan di bawah ini. Kemudian ikuti prosedur pengisian daya yang dijelaskan.

BACA SELURUH PETUNJUK

- **Jangan mengisi daya atau menggunakan baterai di lingkungan yang mudah menimbulkan bahaya ledakan, seperti di tempat yang terdapat cairan, gas, atau debu yang mudah terbakar.** Memasukkan atau melepaskan baterai dari pengisi daya dapat membakar debu atau asap.
- **Jangan pernah memasukkan baterai ke dalam pengisi daya dengan paksa. Jangan memodifikasi baterai dengan cara apa pun untuk dapat dimasukkan ke dalam pengisi daya yang tidak sesuai, karena baterai dapat pecah dan mengakibatkan cedera diri yang berat.**
- Isi ulang daya baterai hanya menggunakan pengisi daya STANLEY .
- **JANGAN** perciki atau rendam dengan air atau cairan lain.
- **Jangan simpan atau pakai alat dan baterai di lokasi di mana suhu dapat mencapai atau melebihi 40°C (105°F) (seperti di bangsal luar atau bangunan logam pada musim panas).**



PERINGATAN: Jangan pernah berusaha membuka baterai untuk alasan apa pun. Jika kotak baterai retak atau rusak, jangan masukkan

ke dalam pengisi daya. Jangan meremukkan, menjatuhkan, atau merusakkan baterai. Jangan gunakan baterai atau pengisi daya yang sudah terhantam keras, jatuh, terlindas, atau rusak dengan cara apa pun (misalnya, tertembus paku, terpukul palu, terinjak). Ini dapat mengakibatkan sengatan listrik atau kematian akibat sengatan listrik. Baterai yang rusak harus dikembalikan ke pusat layanan untuk didaur ulang.



PERHATIAN: Bila tidak sedang dipakai, tempatkan alat pada sisi sampingnya pada permukaan yang stabil agar tidak menyebabkan bahaya tersandung atau jatuh. Alat-alat dengan baterai besar dapat berdiri tegak pada baterai, namun mudah tersenggol jatuh.

PETUNJUK KESELAMATAN KHUSUS UNTUK LITHIUM ION (Li-Ion)

- **Jangan bakar baterai sekalipun rusak parah atau aus sama sekali.** Baterai dapat meledak jika terbakar. Baterai yang dibakar akan menimbulkan asap dan material beracun.
- **Jika isi baterai bersentuhan dengan kulit, segera cuci bagian yang terkena dengan sabun lembut dan air.** Apabila cairan baterai masuk ke mata, basuh mata terbuka dengan air mengalir selama 15 menit atau sampai iritasi berhenti. Jika dibutuhkan penanganan medis, elektrolit baterai tersusun atas campuran karbonat organik cair dan garam litium.
- **Kandungan sel-sel baterai yang terbuka dapat mengakibatkan gangguan pernapasan.** Cari udara segar. Jika gejala tidak berubah, cari bantuan medis.



PERINGATAN: Bahaya terbakar. Cairan baterai dapat terbakar jika terkena percikan api atau lidah api.

Pengangkutan

BATERAI STANLEY mematuhi semua peraturan pengiriman yang berlaku sebagaimana yang ditentukan oleh standar industri dan hukum yang meliputi Rekomendasi PBB tentang Transportasi Barang Berbahaya, Peraturan Barang Berbahaya International Air Transport Association (IATA), Peraturan Barang Berbahaya Kelautan Internasional (IMDG), dan Perjanjian Eropa mengenai Pengangkutan Internasional Barang Berbahaya lewat Darat (ADR). Sel-sel litium-ion dan baterai telah diuji untuk bagian 38.3 Rekomendasi PBB tentang Angkutan Manual Uji dan Kriteria Barang Berbahaya.

Dalam kebanyakan kasus, pengiriman baterai STANLEY akan dikecualikan dari yang diklasifikasikan sebagai bahan Berbahaya Kelas 9 yang sepenuhnya diatur. Secara umum, dua contoh yang memerlukan pengiriman Kelas 9 adalah:

1. Pengiriman melalui udara lebih dari dua baterai litium-ion STANLEY bila paket hanya berisi baterai (tanpa alat), dan

2. Kiriman apa pun yang berisi baterai litium-ion dengan nilai energi yang lebih besar dari 100 jam watt (Wh). Semua baterai litium-ion memiliki peringkat jam watt yang tertera pada kemasan.

Terlepas dari apakah pengiriman dianggap dikecualikan atau sepenuhnya diatur, pengirim bertanggung jawab untuk membaca peraturan terbaru untuk persyaratan pengemasan, pelabelan/penandaan, dan dokumentasi.

Pengangkutan baterai kemungkinan dapat menyebabkan kebakaran jika terminal baterai secara tidak sengaja bersentuhan dengan benda konduktif. Ketika mengangkat baterai, pastikan bahwa terminal baterai dilindungi dan diisolasi dengan baik dari material yang dapat bersentuhan dengannya dan menyebabkan arus pendek.

Informasi yang diberikan di bagian ini dari buku petunjuk ini diberikan dengan iktikad baik dan diyakini akurat pada saat dokumen dibuat. Namun, tidak ada jaminan, baik tersurat maupun tersirat, yang diberikan. Pembeli bertanggung jawab untuk memastikan bahwa kegiatannya sesuai dengan peraturan yang berlaku.

Baterai

TIPE

SCR121 beroperasi pada baterai 12V.

Saran Penyimpanan

1. Tempat penyimpanan terbaik adalah tempat yang sejuk dan kering, jauh dari sinar matahari langsung dan suhu panas atau dingin berlebihan. Untuk kinerja dan masa pakai baterai optimum, simpan baterai pada suhu ruangan bilamana tidak digunakan.
2. Untuk penyimpanan jangka panjang, disarankan agar Anda menyimpan baterai yang terisi daya penuh di tempat yang sejuk dan kering, di luar pengisi daya, untuk hasil optimal.

CATATAN: Baterai tidak boleh disimpan dalam kondisi kosong tanpa diisi daya sama sekali. Baterai perlu diisi ulang daya sebelum digunakan.

Label pada Pengisi Daya dan Baterai

Selain gambar-gambar yang digunakan dalam buku petunjuk ini, label-label pada pengisi daya dan baterai juga menunjukkan gambar-gambar berikut ini:



Baca buku petunjuk sebelum penggunaan.



Lihat **Data Teknis** untuk lama pengisian daya.



Pengisian daya baterai.



Baterai terisi.



Baterai rusak.



Penundaan kemasan panas/dingin.



Jangan bongkar dengan benda konduktif.



Jangan mengisi daya baterai yang rusak.



Jangan paparkan pada air.



Segera ganti kabel yang rusak.



Isi daya hanya antara 4°C dan 40°C.



Hanya untuk penggunaan dalam ruangan.



Buang baterai dengan hati-hati agar tidak merusak lingkungan.



Isi daya baterai STANLEY hanya menggunakan pengisi daya STANLEY yang ditentukan. Pengisian baterai selain baterai STANLEY yang ditetapkan dengan pengisi daya STANLEY dapat membuatnya meledak atau menyebabkan situasi berbahaya lainnya.



Jangan bakar baterai.

Isi Kemasan

Kemasan memuat:

- 1 Gergaji yang Bergerak Maju Mundur Nirkabel
 - 1 Pengisi daya
 - 2 Baterai (S2) atau 1 baterai (S1)
 - 1 Buku petunjuk
- Periksa kemungkinan adanya kerusakan pada alat, komponen, atau aksesoris yang bisa jadi terjadi selama transportasi.
 - Ambil waktu untuk membaca seluruh isi buku petunjuk ini dan memahaminya sebelum pengoperasian.

Penjelasan (gambar 1)



PERINGATAN: Jangan pernah memodifikasi alat listrik atau komponennya. Ini dapat mengakibatkan kerusakan atau cedera pribadi.

- Sakelar pemicu
- Tombol pengunci
- Penjepit bilah gergaji
- Pegangan utama
- Gagang tangan
- Baterai
- Tombol pelepas baterai

JANGAN gunakan dalam kondisi basah atau di dekat cairan maupun gas yang mudah terbakar.

Gergaji yang Bergerak Maju Mundur ini adalah alat listrik profesional.

JANGAN biarkan anak-anak bersentuhan dengan alat ini. Dibutuhkan pengawasan bila alat ini digunakan oleh operator yang belum berpengalaman.

- Produk ini tidak ditujukan untuk penggunaan oleh orang (termasuk anak-anak) yang menderita kekurangan kemampuan fisik, sensorik, atau mental, atau kurang pengalaman, pengetahuan, atau keahlian, kecuali apabila mereka diawasi oleh orang yang bertanggung jawab atas keselamatan mereka. Anak-anak tidak boleh dibiarkan sendiri bermain dengan produk ini.

Keselamatan Kelistrikan

Motor listrik dirancang hanya untuk satu voltase. Selalu periksa apakah voltase baterai sesuai dengan voltase yang tercantum pada papan tarif (rating plate). Selain itu, pastikan bahwa voltase pengisi daya Anda sesuai dengan voltase induk.



Pengisi daya STANLEY Anda berisolasi ganda sesuai dengan EN 60335; itu sebabnya kabel arde tidak diperlukan.

Bila kabel suplai rusak, harus diganti dengan kabel khusus yang disediakan oleh organisasi layanan STANLEY.

Menggunakan Kabel Ekstensi

Kabel sambungan tidak semestinya digunakan, kecuali bila mutlak perlu. Gunakan kabel sambungan yang disetujui, yang sesuai untuk input daya pengisi daya Anda (lihat **Data Teknis**). Ukuran konduktor minimum 1 mm²; panjang maksimum 30 m.

Bila menggunakan gulungan kabel, selalu ulur kabel sepenuhnya.

Perakitan dan penyesuaian



PERINGATAN: Sebelum merakit dan menyesuaikan, selalu lepaskan baterai lebih dulu. Selalu matikan alat sebelum memasukkan atau melepaskan baterai.



PERINGATAN: Gunakan hanya baterai dan pengisi daya STANLEY.

Memasukkan dan Melepaskan Baterai dari Alat (gbr. 2)



PERINGATAN: Untuk mengurangi risiko cedera diri yang berat, matikan alat dan lepas baterai sebelum melakukan penyesuaian apa pun atau melepaskan/memasang pelengkap atau aksesoris. Alat yang mendadak menyala dapat mengakibatkan cedera.

CATATAN: Pastikan bahwa baterai Anda (f) telah terisi daya penuh.

CARA MEMASANG BATERAI PADA PEGANGAN ALAT

1. Sejajarkan baterai dengan ruji-ruji di dalam pegangan alat.
2. Sorongkan baterai ke dalam pegangan alat dengan erat sampai Anda mendengar kunci terpasang klik pada posisinya.

CARA MELEPASKAN BATERAI DARI ALAT

1. Tekan tombol pelepas (g) dan tarik kuat baterai keluar dari pegangan alat.
2. Masukkan baterai ke dalam pengisi daya sebagaimana dijelaskan dalam bagian pengisi daya buku petunjuk ini.

Sakelar Pemacu Kecepatan Variabel (gbr. 1)

Untuk menyalakan alat, tekan sakelar pemacu kecepatan variabel (a). Untuk mematikan alat, lepaskan sakelar pemacu kecepatan variabel.

Sakelar pemacu memungkinkan Anda memulai aplikasi pada kecepatan lambat. Semakin dalam Anda menekan pemacu, semakin cepat alat beroperasi.



PERINGATAN: Alat ini tidak memiliki ketetapan untuk mengunci sakelar pemacu di posisi nyala dan tidak boleh dikunci di posisi nyala dengan cara lain.

TOMBOL PENGUNCI

Gergaji Anda dilengkapi dengan tombol pengunci (b). Untuk mengunci tombol pemacu (a), tekan tombol pengunci seperti pada gambar 3. Ketika tombol pengunci ditekan pada ikon kunci, alat ini terkunci. Selalu kunci sakelar pemacu saat membawa atau menyimpan alat agar alat tersebut tidak menyala tanpa disengaja.

CATATAN: Disarankan untuk menggunakan kecepatan yang sangat lambat hanya untuk memulai potongan. Penggunaan dalam waktu lama dengan kecepatan yang sangat lambat dapat merusak gergaji Anda.

Pengoperasian

PETUNJUK PENGGUNAAN



PERINGATAN: Selalu patuhi petunjuk keselamatan dan peraturan yang berlaku.



PERINGATAN: Untuk mengurangi risiko cedera diri yang berat, letakkan tombol pengunci pada posisi pengunci atau matikan alat dan lepas baterai sebelum melakukan penyesuaian apa pun atau melepaskan/memasang pelengkap atau aksesoris. Alat yang mendadak menyala dapat mengakibatkan cedera.

POSISI TANGAN YANG BENAR (GAMBAR 1, 4)



PERINGATAN: Untuk mengurangi risiko cedera diri yang serius, **SELALU** gunakan posisi tangan yang tepat sesuai petunjuk gambar.



PERINGATAN: Untuk mengurangi risiko cedera diri yang serius, **SELALU** pegang dengan erat untuk mengantisipasi reaksi mendadak.

Posisi tangan yang benar berarti satu tangan pada pegangan tangan (e) dan tangan lainnya pada pegangan utama (d). Orientasi tangan tergantung pada preferensi pengguna.

PEMASANGAN DAN PELEPASAN BILAH (GBR. 8)



PERINGATAN: Untuk mengurangi risiko cedera diri yang berat, letakkan tombol pengunci pada posisi pengunci atau matikan alat dan lepas baterai sebelum melakukan penyesuaian apa pun atau melepaskan/memasang pelengkap atau aksesoris. Alat yang mendadak menyala dapat mengakibatkan cedera.

Tersedia panjang bilah yang bervariasi. Gunakan bilah yang tepat untuk aplikasi. Ukuran bilah harus lebih panjang dari 3-1/2" (89 mm) dan harus melewati bantalan dan ketebalan benda kerja pada saat pemotongan. Bilah ukuran 4" (102 mm) disarankan untuk mendapatkan kinerja terbaik. Jangan gunakan bilah jigsaw dengan alat ini.



PERINGATAN: Bahaya terpotong. Bilah gergaji bisa patah jika bilah gergaji itu tidak melewati sepatu dan benda kerja pada saat pemotongan (gbr. 6). Peningkatan risiko cedera, serta kerusakan pada sepatu dan benda kerja mungkin terjadi.

UNTUK MEMASANG BILAH KE GERGAJI (GBR. 8)

1. Tarik tuas pelepas penjepit bilah (g) ke atas.
2. Masukkan batang bilah ke dalam penjepit bilah (f, gbr. 8).
3. Tutup tuas pelepas penjepit bilah.
4. Perhatikan bahwa bilah dapat dipasang secara terbalik untuk membantu pemotongan yang sama rata (lihat gbr. 8b).

UNTUK MELEPAS BILAH DARI GERGAJI (GBR. 8a, 8b)



PERHATIAN: Bahaya terbakar. Jangan langsung menyentuh bilah gergaji setelah

digunakan. Kontak dengan bilah gergaji dapat mengakibatkan cedera diri.

1. Tarik tuas pelepas penjepit bilah (g) ke atas.
2. Lepaskan bilah gergaji.

Pemotongan (gbr. 6,7,9)



PERINGATAN: Selalu gunakan pelindung mata. Semua pengguna dan pengamat harus memakai pelindung mata yang sesuai dengan ANSI Z87.1.



PERINGATAN: Anda harus ekstra hati-hati saat melakukan pemotongan yang berlawanan dengan operator. Selalu pegang gergaji dengan erat menggunakan kedua tangan saat memotong.

Sebelum memotong jenis bahan apa pun, pastikan bahan tersebut sudah ditahan atau dijepit dengan erat agar tidak tergelincir. Letakkan bilah pelan-pelan pada benda kerja yang akan dipotong, nyalakan mesin gergaji, dan tunggulah hingga Anda mendapatkan kecepatan maksimum sebelum memberi tekanan. Jika memungkinkan, bantalan gergaji harus tertahan erat pada bahan yang sedang dipotong. Ini agar gergaji tidak meloncat atau bergoyang dan meminimalkan kerusakan bilah gergaji. Setiap potongan yang memberikan tekanan pada bilah seperti pemotongan sudut atau gulir akan meningkatkan potensi getaran, bantingan, dan kerusakan bilah.



PERINGATAN: Lebih berhati-hati saat memotong di atas kepala dan perhatikan betul kabel di atas kepala yang mungkin tidak tampak. Antisipasi arah jatuhnya cabang dan serpihan terlebih dahulu.



PERINGATAN: Periksa lokasi kerja untuk mengetahui pipa gas, pipa air, atau kabel listrik yang tersembunyi sebelum melakukan pemotongan di area tak terlihat atau pemotongan rumit. Jika tidak ditaati, maka dapat mengakibatkan ledakan, kerusakan properti, sengatan listrik, dan/atau cedera serius.

PEMOTONGAN KANTONG/RUMIT – KHUSUS KAYU (GBR. 7)

Langkah awal dalam pemotongan kantong adalah dengan mengukur area permukaan yang akan dipotong dan tandai secara jelas dengan pensil, kapur, atau penggores. Gunakan bilah yang tepat untuk aplikasi. Ukuran bilah harus lebih panjang dari 3-1/2" (89 mm) dan harus melewati bantalan dan ketebalan benda kerja pada saat pemotongan. Bilah ukuran 4" (102 mm) disarankan untuk mendapatkan kinerja terbaik. Masukkan bilah ke dalam penjepit bilah.

Selanjutnya, rebahkan gergaji ke belakang sampai ujung belakang bantalan berada di atas permukaan kerja dan bilah akan membersihkan permukaan kerja. Kemudian, tekan sakelar pemicu dan tunggulah hingga gergaji beroperasi dengan cepat.

Pegang gergaji erat-erat dengan kedua tangan dan mulailah lakukan ayunan yang lambat dan hati-hati dengan posisi ke atas menggunakan gagang gergaji, sehingga bagian bawah bantalan tetap bersentuhan erat dengan benda kerja. Bilah akan mulai menembus bahan.

Selalu pastikan bilah gergaji sepenuhnya menembus bahan sebelum melanjutkan dengan potongan berongga.

CATATAN: Di area di mana bilah gergaji tidak begitu terlihat jelas, gunakan ujung bantalan gergaji sebagai panduan. Jalur untuk setiap potong yang diberikan harus melampaui tepi potongan yang akan dibuat.

PEMOTONGAN LOGAM (GBR. 9)

Gergaji Anda memiliki kapasitas pemotongan logam yang berbeda tergantung pada jenis bilah yang digunakan dan logam yang akan dipotong. Gunakan bilah gergaji yang lebih halus untuk logam besi dan bilah gergaji kasar untuk bahan-bahan non-besi. Pada logam lembaran pengukur tipis, sebaiknya kayu dijepitkan pada kedua sisi lembaran. Ini akan memastikan potongan yang bersih tanpa getaran berlebihan atau logam yang koyak. Hindari memaksakan bilah pemotong karena akan mengurangi umur pakai bilah dan menyebabkan bilah patah dan memakan biaya besar.

CATATAN: Biasanya disarankan agar ketika memotong logam, Anda harus menyebarkan selapis tipis minyak atau pelumas lain di sepanjang garis pemotongan gergaji untuk pengoperasian yang lebih mudah dan umur bilah yang lebih lama.

SCR12 dapat menerima semua panjang bilah yang bergerak maju mundur. Untuk hasil terbaik, gunakan bilah 4" (102 mm). Pastikan bilah melewati bantalan dan ketebalan benda kerja pada saat pemotongan. Gunakan bilah yang lebih panjang jika diperlukan. Jika memungkinkan, bantalan gergaji harus tertahan erat pada bahan yang sedang dipotong. Ini agar gergaji tidak meloncat atau bergoyang dan meminimalkan kerusakan bilah gergaji.

Pemeliharaan

Alat listrik STANLEY Anda telah dirancang untuk penggunaan jangka panjang dengan pemeliharaan minimal. Pengoperasian yang memuaskkan secara terus-menerus bergantung pada cara pemeliharaan yang benar dan pembersihan alat secara teratur.



PERINGATAN: Untuk mengurangi risiko cedera diri yang berat, matikan alat dan lepas baterai sebelum melakukan penyesuaian apa pun atau melepaskan/memasang pelengkap atau aksesoris. Alat yang mendadak menyala dapat mengakibatkan cedera.

Pengisi daya dan baterai tidak dapat diservis. Tidak ada komponen yang dapat diservis di dalamnya.



Pelumasan

Alat listrik Anda tidak membutuhkan pelumas tambahan.



Pembersihan



PERINGATAN: Semprot ke luar kotoran dan debu pada bodi utama dengan udara kering sesering mungkin saat kotoran terlihat mengendap di dalam dan di sekitar ventilasi udara. Gunakan pelindung mata yang sesuai dan masker debu yang sesuai bilamana mengerjakan prosedur ini.



PERINGATAN: Jangan gunakan pelarut atau bahan kimia keras lainnya untuk membersihkan bagian alat yang tidak terbuat dari logam. Zat-zat kimia tersebut dapat merapuhkan material komponen-komponen ini. Gunakan kain yang dilembapkan hanya dengan air dan sabun yang lembut. Jangan sampai bagian dalam alat kemasukan air; jangan pernah rendam komponen alat dalam cairan.

PETUNJUK PEMBERSIHAN PENGISI DAYA



PERINGATAN: Bahaya sengatan listrik. Lepaskan pengisi daya dari soket AC sebelum membersihkan. Kotoran dan gemuk dapat dihapus dari bagian luar pengisi daya menggunakan kain atau sikat non-logam yang lembut. Jangan gunakan air atau larutan pembersih apa pun.

Aksesoris yang Dapat Dipilih



PERINGATAN: Berhubung aksesoris-aksesoris lain, di luar yang disediakan oleh STANLEY, belum pernah diuji coba menggunakan produk ini, maka penggunaan aksesoris semacam itu dengan alat ini dapat berbahaya. Untuk mengurangi risiko cedera, gunakan hanya aksesoris yang disarankan STANLEY dengan produk ini.

Tanyakan kepada dealer Anda untuk informasi selengkapnya seputar aksesoris yang sesuai.

Melindungi Lingkungan



Pengumpulan terpisah. Produk ini tidak boleh dibuang bersama limbah rumah tangga biasa.

Seandainya suatu hari Anda jumpai produk STANLEY Anda butuh diganti, atau tidak lagi berguna bagi Anda, jangan buang alat ini bersama limbah rumah tangga biasa. Pisahkan pembuangan produk ini.



Pengumpulan produk dan kemasan bekas secara terpisah memungkinkan material untuk didaur ulang dan digunakan lagi. Penggunaan kembali bahan yang didaur ulang membantu mencegah pencemaran lingkungan dan mengurangi permintaan kebutuhan bahan baku.

Undang-undang setempat mungkin memfasilitasi pengumpulan produk-produk kelistrikan terpisah dari sampah rumah tangga, di tempat pembuangan sampah kota atau oleh pedagang ritel pada saat Anda membeli produk baru.



Baterai yang Dapat Diisi Ulang

Baterai bermasa pakai panjang ini harus diisi ulang daya bilamana gagal menghasilkan cukup daya untuk melakukan pekerjaan-pekerjaan yang sebelumnya dapat dikerjakan dengan mudah. Pada akhir masa pakai teknisnya, buang baterai dengan memperhitungkan perlindungan terhadap lingkungan:

- Kosongkan daya baterai, lalu lepaskan dari alat.
- Sel-sel Li-Ion dapat didaur ulang. Bawa ke dealer Anda atau pusat pendaurulangan setempat. Baterai yang terkumpul akan didaur ulang atau dibuang dengan benar.

KETERANGAN

Kebijakan Stanley adalah salah satu peningkatan yang berkelanjutan pada produk kami, dan karenanya, kami berhak mengubah spesifikasi produk tanpa pemberitahuan sebelumnya.

- Perlengkapan dan aksesoris standar mungkin akan berbeda menurut negara.
- Spesifikasi produk mungkin akan berbeda menurut negara.
- Pilihan produk lengkap mungkin tidak tersedia di semua negara. Hubungi dealer Stanley setempat Anda untuk ketersediaan produk.

เลื่อยชักใบไฟฟ้า 12V Li-Ion SCR121

ข้อมูลทางเทคนิค

ข้อมูลจำเพาะ		SCR121	
แรงดันไฟฟ้า	V_{DC}	12	
ความเร็วขณะไม่มีโหลด:	นาที ⁻¹	0–2700	
กำลังไฟออกสูงสุด	วัตต์	140	
ความยาวช่วงชัก	มม.	20	
น้ำหนัก (ไม่รวมแบตเตอรี่)	กก.	1.05	
เครื่องชาร์จ		SC121	SC122
แรงดันไฟเข้า	V_{AC}	220-240	220-240
แรงดันไฟออก	V_{DC}	22	12
กระแสไฟออก (DC)	แอมป์	1.25	1.25
ระยะเวลาชาร์จโดยประมาณ	นาที	70(1.5Ah)	70(1.5Ah)
แบตเตอรี่		SCB12S	
แรงดันไฟฟ้า	V_{DC}	12V Max	
ความจุ	แอมป์-ชั่วโมง	1.5	
ชนิด	Li-Ion		

วัตถุประสงค์ในการใช้งาน

เลื่อยชักใบไฟฟ้า SCR121 12V Li-Ion ของ Stanley ออกแบบมาเพื่อการตัดไม้ โลหะ พลาสติก และพีวีซี

ข้อปฏิบัติเพื่อความปลอดภัย

คำเตือนเพื่อความปลอดภัยทั่วไปสำหรับการใช้เครื่องมือไฟฟ้า



คำเตือน! โปรดอ่านคำเตือนและข้อปฏิบัติเพื่อความปลอดภัยทั้งหมด การไม่ปฏิบัติตามคำเตือนและข้อปฏิบัติเหล่านี้ อาจทำให้ถูกไฟฟ้าช็อต เกิดเพลิงไหม้ และ/หรือ ได้รับความเจ็บสาหัสได้

โปรดเก็บรักษาคำเตือนและข้อปฏิบัติทั้งหมดนี้ไว้เพื่อการอ้างอิงในภายหลัง

คำว่า “เครื่องมือไฟฟ้า” ในคำเตือน หมายถึง เครื่องมือไฟฟ้า (แบบมีสาย) ที่ทำงานผ่านแหล่งจ่ายไฟหลัก หรือ เครื่องมือไฟฟ้า (แบบไร้สาย) ที่ทำงานผ่านแบตเตอรี่

1. ความปลอดภัยในบริเวณที่ทำงาน

ก) พื้นที่ทำงานจะต้องสะอาดและมีแสงสว่างเพียงพอ บริเวณที่มีดหรือมีของวางระเกะระกะอาจทำให้เกิดอุบัติเหตุได้

ข) ห้ามใช้เครื่องมือไฟฟ้าในบริเวณที่อาจเกิดการระเบิด เช่น เมื่อมีของเหลว แก๊ส หรือ ฝุ่นละอองที่ไวไฟ เครื่องมือไฟฟ้าจะทำให้เกิดประกายไฟที่

อาจทำให้เกิดลวดอาร์คหรือเปลวไฟขึ้นได้

ค) ระวังไม่ให้เด็กเล็กและคนเดินผ่านไปมาเข้าใกล้ ในขณะทำงาน เครื่องมือไฟฟ้า สิ่งรบกวนอาจทำให้คุณเสียสมาธิได้

2. ความปลอดภัยทางไฟฟ้า

- ก) ปลั๊กไฟของเครื่องต้องเป็นชนิดเดียวกับตัวรับ ห้ามตัดแปลงปลั๊กไม่ว่าด้วยวิธีใด ห้ามใช้ปลั๊กอะแดปเตอร์ใดๆ กับเครื่องมือไฟฟ้าที่ต่อสายดิน (ลงกราวด์) ปลั๊กที่ไม่มีการตัดแปลงและตัวรับชนิดเดียวกันจะช่วยลดความเสี่ยงจากการถูกไฟฟ้าช็อต
- ข) หลีกเลี่ยงการสัมผัสพื้นผิวที่ต่อสายดินหรือลงกราวด์ เช่น ท่อ เครื่องทำความร้อน เตารีดต้ม และตู้เย็น มีความเสี่ยงเพิ่มขึ้นที่จะถูกไฟฟ้าช็อตหากร่างกายของคุณเป็นสื่อเชื่อมต่อลงดินหรือลงกราวด์
- ค) อย่าให้เครื่องมือไฟฟ้าถูกฝนหรือเปียกน้ำ น้ำที่เข้าเครื่องมือไฟฟ้าจะทำให้มีความเสี่ยงในการถูกไฟฟ้าช็อตเพิ่มขึ้น
- ง) ห้ามใช้สายไฟผิดวัตถุประสงค์ ห้ามใช้สายไฟเพื่อการหิ้ว ดึง หรือถอดปลั๊กเครื่องมือไฟฟ้า เก็บสายไฟให้ห่างจากความร้อน น้ำมัน ของมีคม หรือ ชิ้นส่วนที่เคลื่อนที่ สายไฟที่ขาดหรือพันกันเป็นการเพิ่มความเสี่ยงจากการถูกไฟฟ้าช็อต
- จ) เมื่อใช้เครื่องมือไฟฟ้านอกอาคาร ให้ใช้สายต่อพ่วงที่เหมาะสมสำหรับการใช้งานนอกอาคาร การใช้สายไฟที่เหมาะสมสำหรับการใช้งานนอกอาคารจะช่วยลดความเสี่ยงต่อการเกิดไฟฟ้าช็อต
- ฉ) หากไม่สามารถหลีกเลี่ยงการใช้เครื่องมือไฟฟ้าในบริเวณที่ชื้นและได้ ให้ใช้อุปกรณ์ป้องกันไฟฟ้าสะสม (RCD) ที่จัดให้ การใช้ RCD จะช่วยลดความเสี่ยงจากการถูกไฟฟ้าช็อต

3. ความปลอดภัยส่วนบุคคล

- ก) ตีนตัวและมีสมาธิกับสิ่งที่คุณกำลังทำ รวมทั้งใช้สามัญสำนึกในขณะที่กำลังใช้งานเครื่องมือไฟฟ้า ห้ามใช้เครื่องมือไฟฟ้าในขณะที่คุณกำลังเหนื่อยหรือได้รับอิทธิพลจากยา แอลกอฮอล์ หรือการรักษาบางอย่าง การขาดความระมัดระวังในการใช้เครื่องมือไฟฟ้าแม้ชั่วขณะหนึ่งอาจทำให้บาดเจ็บสาหัสได้
- ข) ใช้อุปกรณ์คุ้มครองความปลอดภัยส่วนบุคคลสวมอุปกรณ์ป้องกันดวงตาเสมอ อุปกรณ์ป้องกัน เช่น หน้ากากกันฝุ่น รองเท้านิรภัยกันสนิม หมวกนิรภัย หรืออุปกรณ์ป้องกันเสียงดังสำหรับสภาพที่เหมาะสมจะช่วยลดอาการบาดเจ็บทางร่างกาย
- ค) ปล่อยให้เครื่องมือเปิดทำงานโดยไม่ตั้งใจ สวิตช์ต้องอยู่ในตำแหน่งปิดก่อนที่จะเสียบปลั๊กของเครื่องเข้ากับแหล่งจ่ายไฟ และ/หรือแบตเตอรี่ หรือ ก่อนยกหรือหิ้วเครื่องมือ การยกเครื่องมือไฟฟ้าในขณะที่นิ้วอยู่ที่สวิตช์ หรือใช้เครื่องมือไฟฟ้าที่สวิตช์เปิดอยู่ อาจทำให้เกิดอุบัติเหตุได้

- ง) ถอดคอกุญแจปรับตั้งหรือประแจออกก่อนเปิดสวิตช์เครื่องมือไฟฟ้า ประแจหรือกุญแจที่เสียบค้างอยู่ในชิ้นส่วนที่หมุนได้ของเครื่องมือไฟฟ้าอาจทำให้เกิดการบาดเจ็บได้
- จ) ห้ามยื่นเขย่งเท้าขณะใช้เครื่อง ควรยืนในท่าที่เหมาะสมและสมดุลตลอดเวลา เพื่อช่วยในการควบคุมเครื่องมือไฟฟ้าได้ดียิ่งขึ้นในสถานการณ์ที่ไม่คาดคิด
- ฉ) แต่งกายให้เหมาะสม ห้ามสวมเสื้อผ้าหลวมหรือใส่เครื่องประดับ ร่มผม เสื้อผ้า และถุงมือให้ห่างจากชิ้นส่วนที่กำลังหมุน เสื้อผ้าที่หลวมหรือยาว ร่มผม เครื่องประดับ หรือผมที่ยาวอาจเข้าไปพันกับชิ้นส่วนที่กำลังหมุน
- ช) หากมีอุปกรณ์สำหรับดูดและเก็บฝุ่น ต้องตรวจสอบให้แน่ใจว่าได้เชื่อมต่อและใช้งานอุปกรณ์นั้นอย่างเหมาะสม การใช้อุปกรณ์เก็บฝุ่นจะขจัดอันตรายที่เกี่ยวข้องกับฝุ่นได้

4. การใช้และการดูแลรักษาเครื่องมือไฟฟ้า

- ก) ห้ามฝืนใช้เครื่องมือไฟฟ้า เลือกรุ่นเครื่องมือไฟฟ้าที่ถูกต้องตรงกับลักษณะการใช้งานของคุณ เครื่องมือไฟฟ้าที่ถูกต้องย่อมทำงานได้ดีกว่าและปลอดภัยกว่า เมื่อใช้งานตามพิกัดที่เครื่องมือได้รับการออกแบบมา
- ข) ห้ามใช้เครื่องมือไฟฟ้าถ้าสวิตช์เปิดปิดเครื่องไม่ทำงาน เครื่องมือไฟฟ้าที่ไม่สามารถควบคุมผ่านสวิตช์ได้ ถือว่ามีอันตรายและต้องส่งซ่อม
- ค) ถอดปลั๊กของเครื่องมือไฟฟ้าออกจากแหล่งจ่ายไฟ และ/หรือ แบตเตอรี่ก่อนทำการปรับแต่ง เปลี่ยนอุปกรณ์เสริม หรือจัดเก็บ มาตรการเพื่อความปลอดภัยเชิงการป้องกันจะช่วยลดความเสี่ยงในการเผลอเปิดเครื่องให้ทำงานโดยไม่ได้ตั้งใจ
- ง) เก็บเครื่องมือไฟฟ้าที่ไม่ใช้งานไว้ในพ้นมือเด็ก และไม่อนุญาตให้บุคคลที่ไม่คุ้นเคยกับเครื่องมือไฟฟ้าหรือคำแนะนำเหล่านี้เป็นผู้ใช้เครื่องมือไฟฟ้าจะเป็นอันตรายหากอยู่ในมือผู้ใช้ที่ไม่มีความชำนาญ
- จ) บำรุงรักษาเครื่องมือไฟฟ้า ตรวจสอบว่าชิ้นส่วนที่เคลื่อนที่ได้มีการวางไม่ตรงแนวหรือติดขัดหรือไม่ มีชิ้นส่วนที่แตกหัก และสกรูอื่นใดที่อาจส่งผลต่อการทำงานของเครื่องมือไฟฟ้าหรือไม่ หากชำรุดเสียหาย ให้นำเครื่องมือไปส่งซ่อมก่อนนำมาใช้ อุบัติเหตุจำนวนมากเกิดจากการดูแลรักษาเครื่องมือไฟฟ้าไม่เพียงพอ
- ฉ) เครื่องมือตัดต้องคมและสะอาดอยู่เสมอ เครื่องมือตัดที่ได้รับการดูแลรักษาอย่างถูกต้อง และมีขอบตัดคม จะมีปัญหาตัดขัดน้อย และควบคุมได้ง่ายกว่า
- ช) ใช้เครื่องมือไฟฟ้า อุปกรณ์เสริมและชุดอุปกรณ์ต่างๆ ให้สอดคล้องกับคำแนะนำเหล่านี้และตรงตามวัตถุประสงค์การใช้งานของเครื่องมือไฟฟ้าแต่ละชนิด โดยพิจารณาถึงสภาพการทำงานและ

งานที่ทําเป็นสำคัญ การใช้เครื่องมือไฟฟ้าทำงานอื่นนอกเหนือจากที่กำหนดไว้อาจทำให้เกิดอันตรายได้

5. การใช้และการดูแลรักษาแบตเตอรี่

- ก) ชาร์จแบตเตอรี่ด้วยเครื่องชาร์จที่ผู้ผลิตแนะนำเท่านั้น เครื่องชาร์จที่เหมาะสมกับแบตเตอรี่แบบหนึ่งอาจทำให้เกิดไฟไหม้ได้ถ้านำมาใช้กับแบตเตอรี่อีกแบบหนึ่ง
- ข) ใช้เครื่องมือไฟฟ้าเฉพาะกับก้อนแบตเตอรี่ที่ออกแบบมาเป็นพิเศษเท่านั้น การใช้แบตเตอรี่แบบอื่นอาจทำให้เกิดการบาดเจ็บหรือเกิดไฟไหม้ได้
- ค) เมื่อไม่ได้ใช้ก้อนแบตเตอรี่ ให้เก็บออกห่างจากวัตถุอื่นๆ ที่เป็นโลหะ เช่น คลิปหนีบกระดาษ เหรียญ กุญแจ เข็ม สกรูหรือวัตถุขนาดเล็กอื่นๆ ที่อาจจากโลหะที่อาจเชื่อมต่อกับขั้วหนึ่งไปอีกขั้วหนึ่ง การลัดวงจรบริเวณขั้วแบตเตอรี่อาจทำให้เกิดรอยไหม้หรือไฟไหม้ได้
- ง) เมื่ออยู่ภายใต้สภาวะที่ไม่เหมาะสมอาจมีขบวนการไหลออกมาจากแบตเตอรี่ ให้หลีกเลี่ยงการสัมผัสกับของเหลวนี้ หากบังเอิญสัมผัสโดยไม่ตั้งใจ ให้ล้างด้วยน้ำปริมาณมาก หากของเหลวกระเด็นเข้าตา ควรรีบไปพบแพทย์ของเหลวที่ออกมาจากแบตเตอรี่อาจทำให้เกิดอาการระคายเคืองหรือรอยไหม้ได้

6. การบริการ

- ก) ในช่างซ่อมที่มีความเชี่ยวชาญเป็นผู้ซ่อมเครื่องมือ และใช้อะไหล่แท้เท่านั้น ซึ่งจะช่วยให้อายุการใช้งานของเครื่องมือไฟฟ้ายังมีความปลอดภัยอยู่

คำแนะนำความปลอดภัยเพิ่มเติมสำหรับเลื่อยชักใบไฟฟ้า

- จับเครื่องมือไฟฟ้าตรงพื้นผิวส่วนที่ใช้จับซึ่งมีฉนวนป้องกันเท่านั้น เมื่อต้องใช้งานเครื่องในบริเวณที่อุปกรณ์เสริมสำหรับการตัดอาจสัมผัสถูกสายไฟที่ซ่อนอยู่ได้ อุปกรณ์เสริมสำหรับงานตัดที่สัมผัสถูกสายไฟ "ที่มีไฟฟ้า" อาจทำให้ส่วนที่เป็นโลหะของเครื่องที่ถูกลัดวงจร "มีไฟฟ้า" และทำให้ผู้ใช้เครื่องถูกไฟฟ้าช็อตได้
- สวมหมวกกันน็อกเสมอ การสัมผัสฟันเลื่อยอาจทำให้เกิดอาการบาดเจ็บร้ายแรงและการบาดเจ็บได้
- ห้ามเปิดสวิตช์เครื่องมือในขณะที่ใบเลื่อยติดอยู่ในชิ้นงานหรือติดอยู่กับวัสดุ
- มือต้องอยู่ห่างจากชิ้นที่กำลังหมุน อย่าวางมือไว้ใกล้พื้นที่ตัดเด็ดขาด
- ใช้ความระมัดระวังเป็นพิเศษเมื่อต้องตัดในตำแหน่งที่อยู่เหนือศีรษะ และใส่ใจเป็นพิเศษกับสายไฟที่อยู่ด้านบนซึ่งอาจซ่อนไว้จางมองไม่เห็น เครื่องมือป้องกันยังไม่เพียงพอที่จะระวังหล่นตามแนวเส้นทางการตัดไว้ล่วงหน้า
- อย่าใช้งานเครื่องมือนี้ต่อเนื่องเป็นเวลานาน การสั่นสะเทือนที่เกิดจากการทำงานของเครื่องมือนี้

อาจทำให้เกิดการบาดเจ็บถาวรที่นิ้ว มือ และแขน ใช้ถุงมือเพื่อลดข้อับแรงสั่นสะเทือนบางส่วน หยุดเครื่องเป็นระยะๆ และจำกัดเวลาในการใช้งานแต่ละวัน



ค่าเตือน! เพื่อลดความเสี่ยงต่อการบาดเจ็บ ผู้ใช้ต้องอ่านคู่มือการใช้งานเล่มนี้

การเปิดและปิดเครื่อง

- หลังจากปิดสวิตช์ ห้ามหยุดใบเลื่อยด้วยนิ้วของคุณ
- อย่าวางเลื่อยลงบนโต๊ะหรือโต๊ะงานข้างวันแต่จะเปิดสวิตช์แล้ว ใบเลื่อยจะยังคงทำงานอยู่ในช่วงสั้นๆ หลังจากที่ได้ปิดสวิตช์แล้ว

ขณะทำการเลื่อย

- เมื่อใช้ใบเลื่อยที่ออกแบบมาสำหรับการตัดไม้โดยเฉพาะ ให้นำตะปูและวัตถุที่เป็นโลหะออกจากชิ้นงานก่อนที่จะเริ่มงาน
- ใช้ปากกาจับชิ้นงานและตัวจับชิ้นงานเพื่อยึดชิ้นงานให้แน่นทุกครั้งที่เป็นไปได้
- อย่ายพยายามเลื่อยชิ้นงานขนาดเล็กมากเกินไป
- อย่าบิดงอไปข้างหน้ามากเกินไป ตรวจสอบให้แน่ใจอยู่เสมอว่าคุณได้ยืนอยู่ในท่าที่มั่นคง โดยเฉพาะบนนั่งร้านและบันได
- จับเครื่องมือด้วยมือทั้งสองข้างเสมอ
- สำหรับการตัดสวนโค้งและการเจาะช่อง ให้ใช้ใบเลื่อยที่ปรับใช้อย่างเหมาะสม

การตรวจสอบและการเปลี่ยนใบเลื่อย

- ใช้ใบเลื่อยให้สอดคล้องกับข้อมูลจำเพาะที่อยู่ในคำแนะนำการใช้งานเหล่านี้เท่านั้น
- ควรใช้ใบเลื่อยที่คมในสภาพการทำงานที่สมบูรณ์เท่านั้น ใบเลื่อยที่มีรอยแตกหรือบิดงอควรนำออกหรือเปลี่ยนใหม่ทันที
- ตรวจสอบให้มั่นใจว่าใบเลื่อยยึดแน่นดีแล้ว

ความเสี่ยงอื่นๆ ที่ยังมีอยู่

แม้จะปฏิบัติตามข้อกำหนดด้านความปลอดภัยที่เกี่ยวข้องและใช้อุปกรณ์นิรภัยแล้วก็ตาม แต่ก็ไม่สามารถหลีกเลี่ยงความเสี่ยงบางอย่างได้

ความเสี่ยงเหล่านั้นได้แก่:

- ความบกพร่องในการได้ยินเสียง
- ความเสี่ยงที่จะได้รับบาดเจ็บจากเศษชิ้นงานที่ปลิว
- ความเสี่ยงที่จะเกิดรอยไหม้เนื่องจากอุปกรณ์เสริมที่ร้อนขึ้นในระหว่างใช้งาน
- ความเสี่ยงที่จะได้รับบาดเจ็บเนื่องจากการใช้งานเป็นเวลานาน

ป้ายสัญลักษณ์บนเครื่องมือ

ป้ายบนเครื่องมือของคุณอาจมีสัญลักษณ์พร้อมทั้งรหัสวันที่ดังต่อไปนี้:

ตำแหน่งของรหัสวันที่

รหัสวันที่ ซึ่งรวมถึงปีที่ผลิต จะพิมพ์อยู่บนตัวเครื่องตัวอย่างเช่น:

2019 XX JN
ปีที่ผลิต

คำแนะนำเพื่อความปลอดภัยที่สำคัญสำหรับเครื่องชาร์จแบตเตอรี่ทุกชนิด

เก็บคำแนะนำเหล่านี้ไว้: คู่มือนี้ประกอบด้วยคำแนะนำความปลอดภัยและการใช้งานที่สำคัญสำหรับเครื่องชาร์จแบตเตอรี่ SC121

- ก่อนใช้งานเครื่องชาร์จ โปรดอ่านคำแนะนำและสัญลักษณ์เตือนทั้งหมดบนเครื่องชาร์จ แบตเตอรี่ และผลิตภัณฑ์ที่ใช้แบตเตอรี่



คำเตือน: อันตรายจากการถูกไฟฟ้าช็อต อย่าให้มือของเหลวเข้าไปภายในเครื่องชาร์จ เพราะอาจทำให้เกิดไฟฟ้าช็อต



ข้อควรระวัง: อันตรายจากไฟไหม้ เพื่อลดความเสี่ยงของการเกิดการบาดเจ็บ โปรดใช้แบตเตอรี่แบบชาร์จซ้ำได้ของ STANLEY เท่านั้น แบตเตอรี่ชนิดอื่น ๆ อาจระเบิดทำให้เกิดการบาดเจ็บและเสียหายได้



ข้อควรระวัง: เด็กควรได้รับการควบคุมดูแลเพื่อให้แน่ใจว่าเด็กจะไม่เล่นเครื่องมือ

ข้อสังเกต: ในบางสถานการณ์ ระหว่างที่เครื่องชาร์จเสียบปลั๊กอยู่ อาจมีวัตถุแปลกปลอมเข้าไปภายในเครื่องชาร์จและทำให้ขั้วชาร์จไฟฟ้าลัดวงจรได้ อย่าให้วัตถุแปลกปลอมที่มีคุณสมบัตินำไฟฟ้า เช่น ฟันผงจากการเจียร เศษโลหะ ผอยเหล็ก อะลูมิเนียมพอยล์ หรือการสะสมตัวของอนุภาคโลหะ อยู่ในช่องใส่แบตเตอรี่ของเครื่องชาร์จ และถอดปลั๊กเครื่องชาร์จเสมอเมื่อไม่มีแบตเตอรี่อยู่ภายในช่องใส่ รวมทั้งถอดปลั๊กเครื่องชาร์จทุกครั้งก่อนทำความสะอาด

- **อย่าชาร์จแบตเตอรี่ด้วยเครื่องชาร์จเครื่องอื่นๆ นอกเหนือจากเครื่องชาร์จที่ระบุในคู่มือเล่มนี้โดยเด็ดขาด** เครื่องชาร์จและแบตเตอรี่ได้รับการออกแบบมาให้ใช้งานร่วมกันโดยเฉพาะ
- **เครื่องชาร์จนี้ไม่ได้ออกแบบมาสำหรับการใช้งานอื่นใดนอกเหนือจากการชาร์จแบตเตอรี่ที่ชาร์จใหม่ได้ตามที่ STANLEY ระบุไว้** การนำไปใช้ในงานอื่นนอกเหนือจากนี้อาจเสี่ยงต่อการเกิดเพลิงไหม้ ไฟฟ้าช็อต หรืออันตรายจากไฟฟ้าจนถึงแก่ชีวิตได้
- **อย่าให้เครื่องชาร์จถูกฝนหรือหิมะ**
- **ดึงปลั๊กเครื่องชาร์จที่หัวปลั๊กแทนการดึงที่สายไฟ** เมื่อจะถอดปลั๊กเครื่องชาร์จ วิธีนี้จะช่วยลดความเสี่ยงที่ปลั๊กและสายไฟจะชำรุดเสียหายได้

- ตรวจสอบให้แน่ใจว่าสายไฟต้องอยู่ในตำแหน่งที่จะไม่ถูกเหยียบ เตะ สะกด มีละมุนจากก่อให้เกิดความเสียหายหรือความเครียดในสายไฟ
- ห้ามใช้สายต่อพ่วงโดยเด็ดขาด เว้นแต่มีความจำเป็นอย่างหลีกเลี่ยงไม่ได้ การใช้สายต่อพ่วงที่ไม่เหมาะสมอาจทำให้เกิดไฟไหม้ ไฟฟ้าช็อต หรืออันตรายจากไฟฟ้าจนถึงแก่ชีวิตได้
- อย่าวางวัตถุใดๆ บนเครื่องชาร์จหรือวางเครื่องชาร์จไว้บนพื้นผิวอ่อนนุ่มที่อาจปิดกั้นช่องระบายอากาศและทำให้เกิดความร้อนภายในที่มากเกินไป วางเครื่องชาร์จในตำแหน่งที่ห่างจากแหล่งกำเนิดความร้อนใดๆ เครื่องชาร์จมีการระบายความร้อนผ่านทางช่องที่อยู่ด้านบนและด้านล่างของตัวเครื่อง
- ห้ามใช้งานเครื่องชาร์จที่มีสายไฟหรือปลั๊กชำรุดเสียหาย ให้เปลี่ยนใหม่ทันที
- ห้ามใช้งานเครื่องชาร์จที่ถูกกระแทกอย่างรุนแรง ตก หรือได้รับความเสียหายรูปแบบใดๆ ก็ตาม ให้นำเครื่องชาร์จดังกล่าวไปยังศูนย์บริการที่ได้รับอนุญาต
- ห้ามถอดชิ้นส่วนเครื่องชาร์จเอง โปรดนำเครื่องชาร์จไปยังศูนย์บริการที่ได้รับอนุญาตเมื่อจำเป็นต้องซ่อมแซมหรือรับบริการ การประกอบเครื่องกลับดังเดิมอย่างไม่ถูกต้องอาจเสี่ยงต่อการถูกไฟฟ้าช็อต อันตรายจากไฟฟ้าจนถึงแก่ชีวิต หรือเกิดไฟไหม้ได้
- ในกรณีที่สายไฟของตัวเครื่องชำรุดเสียหาย สายไฟดังกล่าวต้องได้รับการเปลี่ยนโดยผู้ผลิต หรือตัวแทนศูนย์บริการของผู้ผลิต หรือบุคคลที่มีคุณสมบัติเทียบเท่าเพื่อหลีกเลี่ยงอันตรายที่อาจเกิดขึ้นได้
- ถอดปลั๊กของเครื่องชาร์จทุกครั้งก่อนทำความสะอาด การทำเช่นนี้จะช่วยลดความเสี่ยงจากการถูกไฟฟ้าช็อต การถอดก่อนแบตเตอรี่ออกจะไม่ทำให้ความเสียหายนี้ลดลง
- ห้าม เชื่อมต่อเครื่องชาร์จ 2 เครื่องเข้าด้วยกันเด็ดขาด
- เครื่องชาร์จได้รับการออกแบบให้ใช้งานกับไฟบ้านทั่วไป ห้ามนำเครื่องชาร์จไปใช้กับแรงดันไฟอื่นๆ ทั้งนี้ไม่รวมถึงเครื่องชาร์จสำหรับใช้ในรถยนต์

เก็บคำแนะนำเหล่านี้ไว้

เครื่องชาร์จ

เครื่องชาร์จ SC122(SC121) รองรับแบตเตอรี่ Li-Ion 12V Max

เครื่องชาร์จนี้สามารถใช้งานได้โดยไม่ต้องปรับแต่ง และได้รับการออกแบบมาเพื่อให้ใช้งานง่ายที่สุด

ขั้นตอนการชาร์จ (รูป 2)

1. เสียบปลั๊กเครื่องชาร์จ (j) เข้ากับด้ารับที่เหมาะสมก่อนใส่ก้อนแบตเตอรี่ลงไป

2. ใส่ก้อนแบตเตอรี่ (g) ลงในเครื่องชาร์จ ไฟสีแดง (กำลังชาร์จ) จะกะพริบต่อเนื่องเพื่อแสดงว่ากระบวนการชาร์จเริ่มต้นแล้ว
3. ถ้าการชาร์จเสร็จสิ้นไฟสีแดงนี้จะดับสว่างต่อเนื่อง แบตเตอรี่จะได้รับการประจุไฟจนเต็ม และสามารถนำไปใช้ได้เลย หรืออาจปล่อยให้แบตเตอรี่คายประจุก็ได้

หมายเหตุ: เพื่อให้แบตเตอรี่ Li-Ion มีประสิทธิภาพเต็มที่และอายุการใช้งานสูงสุด ให้ชาร์จแบตเตอรี่ให้เต็มก่อนใช้งานครั้งแรก

กระบวนการชาร์จ

โปรดดูสถานะการชาร์จของแบตเตอรี่จากตารางด้านล่าง

สถานะของการชาร์จ	SC122
กำลังชาร์จ	----  ไฟกะพริบ สีเขียว
ชาร์จเต็มแล้ว	_____  ไฟสีเขียว
แบตเตอรี่ร่อน	- - -  ไฟกะพริบ สีแดง
แบตเตอรี่ชำรุด  ไฟแดงกะพริบ

หน่วงเวลาเนื่องจากแบตเตอรี่ร่อน/เย็น

SC122(SC121)

เมื่อเครื่องชาร์จตรวจพบว่าแบตเตอรี่ร่อน เครื่องจะหน่วงเวลาการชาร์จโดยอัตโนมัติจนกว่าแบตเตอรี่จะเย็นลง

เมื่อเครื่องชาร์จตรวจพบว่าแบตเตอรี่เย็น เครื่องจะหน่วงเวลาการชาร์จโดยอัตโนมัติจนกว่าแบตเตอรี่จะอุ่น

ไฟสีแดงจะยังคงกะพริบต่อไป แต่ไฟเตือนสีเหลืองจะติดสว่างระหว่างการทำงานในช่วงนี้ เมื่อแบตเตอรี่เย็นลงแล้วไฟสีเหลืองจะดับ และเครื่องชาร์จจะเริ่มชาร์จต่อ

เครื่องมือ Stanley Li-Ion ได้รับการออกแบบให้มาพร้อมทั้งระบบป้องกันอิเล็กทรอนิกส์ (Electronic Protection System) ซึ่งจะปกป้องแบตเตอรี่จากการโอเวอร์โหลด ความร้อนสูงเกิน หรือการคายประจุจนเกือบหมด

เครื่องมือจะปิดโดยอัตโนมัติเมื่อระบบป้องกันอิเล็กทรอนิกส์ทำงาน หากเกิดเหตุการณ์ดังกล่าวขึ้น ให้นำแบตเตอรี่ Li-Ion ไปวางชาร์จที่เครื่องชาร์จจนกระทั่งเต็ม

เฉพาะแบตเตอรี่ LI-ION เท่านั้น

แบตเตอรี่ Li-Ion ได้รับการออกแบบให้มาพร้อมทั้งระบบป้องกันอิเล็กทรอนิกส์ (Electronic Protection System) ซึ่งจะปกป้องแบตเตอรี่จากการโอเวอร์โหลด ความร้อนสูงเกิน หรือการคายประจุจนเกือบหมด

เครื่องมือจะปิดโดยอัตโนมัติเมื่อระบบป้องกันอิเล็กทรอนิกส์ทำงาน หากเกิดเหตุการณ์ดังกล่าวขึ้น ให้นำแบตเตอรี่ Li-Ion ไปวางชาร์จที่เครื่องชาร์จจนกระทั่งเต็ม

คำแนะนำเพื่อความปลอดภัยที่สำคัญสำหรับแบตเตอรี่ทุกชนิด

เมื่อจะสัมผัสแบตเตอรี่ก่อนใหม่ ให้ระบุรหัสสินค้าและแรงดันไฟฟ้า

แบตเตอรี่ใหม่ที่เพิ่งแกะจากกล่องยังไม่ได้รับการชาร์จไฟให้เต็ม ก่อนใช้งานแบตเตอรี่และเครื่องชาร์จ โปรดอ่านคำแนะนำเพื่อความปลอดภัยด้านล่าง แล้วทำตามขั้นตอนการชาร์จที่วางไว้

อ่านคำแนะนำทั้งหมด

- ห้ามชาร์จหรือใช้แบตเตอรี่ในบริเวณที่อาจเกิดการระเบิด เช่น ในบริเวณที่มีของเหลว แก๊ส หรือฝุ่นละเอียดที่มีคุณสมบัติไวไฟ การใส่หรือถอดแบตเตอรี่ออกจากเครื่องชาร์จอาจเป็นการจุดระเบิดขึ้นหรือไอระเหยดังกล่าวได้
- ห้ามฝืนใส่แบตเตอรี่ลงในเครื่องชาร์จ ห้ามตัดแปลงก่อนแบตเตอรี่ด้วยวิธีการใดๆ เพื่อให้สามารถใส่ลงในเครื่องชาร์จที่ไมรองรับแบตเตอรี่นั้น เนื่องจากก่อนแบตเตอรี่อาจระเบิดขึ้น เป็นเหตุให้บาดเจ็บสาหัสได้
- ชาร์จแบตเตอรี่ในเครื่องชาร์จของ STANLEY เท่านั้น
- ห้าม สาดหรือจุ่มลงในน้ำหรือของเหลวใดๆ โดยเด็ดขาด
- ห้ามเก็บหรือใช้งานเครื่องมือและแบตเตอรี่ในสถานที่ซึ่งอุณหภูมิอาจสูงถึงหรือสูงเกินกว่า 40°C (105°F) (เช่น ในโรงเรือนกลางแจ้งหรืออาคารที่มีโครงสร้างเป็นโลหะในช่วงฤดูร้อน)



คำเตือน: ห้ามพยายามแกะตัวแบตเตอรี่ในทุกกรณี หากตัวก้อนแบตเตอรี่มีรอยแตกหรือเสียหาย ห้ามนำใส่เข้าไปในเครื่องชาร์จโดยเด็ดขาด ห้ามทุบ ท้าดก หรือทำให้ก้อนแบตเตอรี่ชำรุดเสียหาย ห้ามใช้งานก่อนแบตเตอรี่และเครื่องชาร์จที่ถูกกระแทกอย่างรุนแรง เคยตก ถูกทับ หรือได้รับความเสียหายในรูปแบบใดๆ (กล่าวคือ ถูกตะปุดออกทะเล ถูกค้อนทุบ ถูกเหยียบจนชำรุด) อาจส่งผลให้ถูกไฟฟ้าช็อต หรือได้รับอันตรายจากไฟฟ้าจนถึงแก่ชีวิต ควรส่งแบตเตอรี่ที่เสียหายคืนให้ศูนย์บริการเพื่อนำไปรีไซเคิล



ข้อควรระวัง: เมื่อไม่ใช้งาน ให้วางเครื่องมือตะแคงไว้บนพื้นผิวที่มั่นคงที่จะไม่ทำให้เกิดอันตรายจากการสะดุดหรือร่วงหล่น อุปกรณ์บางอย่างที่มีแบตเตอรี่ก่อนใหญ่อาจจะสามารถวางตั้งบนแบตเตอรี่ได้ แต่ก็อาจถูกชนล้มได้ง่ายเช่นกัน

คำแนะนำเพื่อความปลอดภัยเฉพาะสำหรับแบตเตอรี่ลิเทียมไอออน (Li-Ion)

- ห้ามเผาแบตเตอรี่แม้ว่าแบตเตอรี่นั้นจะได้รับความเสียหายอย่างร้ายแรงหรือใช้งานจนหมดแล้วก็ตาม แบตเตอรี่สามารถระเบิดได้ในเปลวไฟ ไอและสารพิษจะเกิดขึ้นเมื่อแบตเตอรี่ลิเทียมไอออนถูกเผา
- หากสารภายในแบตเตอรี่สัมผัสถูกผิวหนัง ให้รีบล้างออกด้วยสบู่และน้ำทันที หากของเหลวภายในแบตเตอรี่เข้าตา ให้ลืมตาในน้ำไหลเป็นเวลา 15 นาทีหรือจนไม่รู้สึกระคายเคืองอีก หากจำเป็นต้องไปพบแพทย์ สารอิเล็กโทรไลต์ของแบตเตอรี่เป็นส่วนผสมของสารละลายคาร์บอนอินทรีย์และเกลือลิเทียม

- สารภายในแบตเตอรี่ที่ถูกเปิดออกอาจทำให้ระบบหายใจระคายเคืองได้ ให้รีบไปยังสถานที่ที่มีอากาศถ่ายเท หากอาการผิดปกติไม่หายไป ให้รีบพบแพทย์



คำเตือน: อันตรายจากไฟไหม้ ของเหลวในแบตเตอรี่อาจติดไฟได้หากถูกประกายไฟหรือเปลวไฟ

การขนส่ง

แบตเตอรี่ของ STANLEY ปฏิบัติตามข้อกำหนดในการขนส่งที่บังคับใช้ตามที่มีบัญญัติเป็นมาตรฐานของกฎหมายและอุตสาหกรรมทุกประการ ซึ่งประกอบด้วย ข้อแนะนำในการขนส่งสินค้าอันตรายขององค์การสหประชาชาติ (UN Recommendations on the Transport of Dangerous Goods) ระเบียบข้อบังคับของสมาคมขนส่งทางอากาศระหว่างประเทศ (IATA) ข้อกำหนดว่าด้วยการขนส่งสินค้าอันตรายทางทะเลระหว่างประเทศ ขององค์การทางทะเลระหว่างประเทศ (International Maritime Dangerous Goods - IMDG) ข้อตกลงร่วมกันการขนส่งสินค้าอันตรายผ่านแดนทางถนนของกลุ่มประชาคมเศรษฐกิจยุโรป (European Agreement Concerning the International Carriage of Dangerous Goods by Road - ADR) เซลล์และแบตเตอรี่ลิเทียมไอออนได้รับการทดสอบตามเกณฑ์และการทดสอบมาตรฐาน 38.3 ของข้อแนะนำ ในการขนส่งสินค้าอันตรายขององค์การสหประชาชาติแล้ว

โดยส่วนใหญ่แล้ว การขนส่งแบตเตอรี่ของ STANLEY จะได้รับยกเว้นในการจัดประเภทเป็นวัตถุอันตรายตามที่กำหนดไว้ประเภทที่ 9 ซึ่งโดยทั่วไปจะมีเพียงสองกรณีที่ต้องขนส่งตามประเภทที่ 9 คือ:

- การขนส่งแบตเตอรี่ลิเทียมไอออนของ STANLEY ทางอากาศจำนวนมากกว่าสองก้อนเมื่อมีการบรรจุเฉพาะแบตเตอรี่ (ไม่มีเครื่องมือ) และ
- การขนส่งที่บรรจุแบตเตอรี่ลิเทียมไอออนที่มีอัตราพลังงานไฟฟ้ามากกว่า 100 วัตต์-ชั่วโมง (Wh) โดยต้องมีการทำเครื่องหมายแสดงอัตราวัตต์-ชั่วโมงไว้ที่หีบห่อของแบตเตอรี่ลิเทียมไอออนทั้งหมด

ทั้งนี้ไม่คำนึงว่าการขนส่งจะได้รับยกเว้นหรือต้องปฏิบัติตามอย่างครบถ้วน เป็นความรับผิดชอบของผู้ขนส่งที่จะต้องค้นหาข้อมูลเกี่ยวกับข้อบังคับด้านบรรจุภัณฑ์ล่าสุด ข้อกำหนดเรื่องการแสดงฉลากเครื่องหมายและการจัดเตรียมเอกสาร

การขนส่งแบตเตอรี่อาจทำให้เกิดไฟไหม้ได้ ถ้าขั้วของแบตเตอรี่สัมผัสกับวัตถุที่นำไฟฟ้า เมื่อทำการขนส่งแบตเตอรี่ต้องแน่ใจว่าขั้วแบตเตอรี่ได้รับการป้องกันและได้รับการหุ้มฉนวนอย่างดีเพื่อไม่ให้มีวัตถุใดๆ มาสัมผัสถูกและทำให้เกิดการลัดวงจรได้

ข้อมูลในหัวข้อนี้ของคู่มือจัดเตรียมโดยสุจริตและเชื่อมั่นว่าถูกต้องในเวลาที่จะจัดทำขึ้น อย่างไรก็ตามไม่ถือว่าเป็นการรับประกันใดๆ โดยชัดเจนหรือโดยปริยาย เป็นความรับผิดชอบของผู้ซื้อที่จะตรวจสอบให้แน่ใจว่ากิจกรรมต่างๆ ของบริษัทสอดคล้องตามข้อกำหนดที่บังคับใช้

แบตเตอรี่

ชนิด

แบตเตอรี่ SCR121 ทำงานด้วยก้อนแบตเตอรี่ 10.8 โวลต์

คำแนะนำการเก็บรักษา

1. สถานที่เก็บรักษาอุปกรณ์ที่เหมาะสมที่สุดคือสถานที่ซึ่งแห้งและเย็น ไม่ได้รับแสงอาทิตย์โดยตรง และอุณหภูมิไม่ร้อนหรือเย็นมากเกินไป เพื่อให้ประสิทธิภาพและอายุการใช้งานของแบตเตอรี่ยาวนานสูงสุด ควรเก็บรักษาแบตเตอรี่ในอุณหภูมิห้องเมื่อไม่ใช้งาน
2. กรณีเก็บเป็นเวลานานให้เก็บแบตเตอรี่ที่ชาร์จเต็มแล้วในสถานที่แห้งและเย็นนอกเครื่องชาร์จ

หมายเหตุ: ไม่ควรเก็บรักษาแบตเตอรี่ในสภาพปราศจากประจุโดยสิ้นเชิง ต้องชาร์จแบตเตอรี่ใหม่ก่อนนำกลับมาใช้อีกครั้ง

แผ่นป้ายบนแบตเตอรี่และเครื่องชาร์จ

นอกเหนือจากสัญลักษณ์ภาพที่ไขในคู่มือเล่มนี้แล้ว บนเครื่องชาร์จและแบตเตอรี่จะมีสัญลักษณ์ภาพดังต่อไปนี้:



โปรดอ่านคู่มือแนะนำการใช้งานก่อนใช้งาน



โปรดดูข้อมูลทางเทคนิคสำหรับเวลาในการชาร์จ



กำลังชาร์จแบตเตอรี่



แบตเตอรี่ชาร์จเต็มแล้ว



แบตเตอรี่เสื่อมสภาพ



หมดเวลาเนื่องจากแบตเตอรี่ร้อน/เย็น



ห้ามแยกด้วยวัตถุที่เป็นตัวนำ



ห้ามชาร์จแบตเตอรี่ที่ชำรุด



ห้ามทำให้แบตเตอรี่เปียกน้ำ



เปลี่ยนสายไฟที่ชำรุดทันที



ชาร์จไฟที่อุณหภูมิระหว่าง 4°C ถึง 40°C



ใช้ภายในอาคารเท่านั้น



โปรดทิ้งแบตเตอรี่อย่างเหมาะสมโดยคำนึงถึงผลกระทบต่อสิ่งแวดล้อม



ชาร์จแบตเตอรี่ STANLEY กับเครื่องชาร์จของ STANLEY ที่กำหนดเท่านั้น การชาร์จแบตเตอรี่ชนิดอื่นนอกเหนือจากแบตเตอรี่ที่ STANLEY กำหนดกับเครื่องชาร์จ STANLEY อาจทำให้แบตเตอรี่ระเบิดหรือนำไปสู่สถานการณ์ที่เป็นอันตรายอื่นๆ



ห้ามเผาแบตเตอรี่

สิ่งที่อยู่ในบรรจุภัณฑ์

ภายในบรรจุภัณฑ์ประกอบด้วย:

สื่อยึดไขไขไฟไร้สาย 1 เครื่อง

เครื่องชาร์จ 1 เครื่อง

แบตเตอรี่ (S2) 2 ก้อน หรือแบตเตอรี่ (S1) 1 ก้อน

คู่มือการใช้งาน 1 เล่ม

- โปรดตรวจหาร่องรอยความเสียหายของเครื่องมือ ชิ้นส่วน หรืออุปกรณ์เสริม ที่อาจเกิดขึ้นในระหว่างการขนส่ง
- โปรดอ่านและทำความเข้าใจคู่มือเล่มนี้ก่อนการใช้งาน

คำอธิบาย (รูป 1)

คำเตือน: ห้ามปรับแต่งเครื่องมือไฟฟ้าหรือชิ้นส่วนใดๆ โดยเด็ดขาด เพราะอาจทำให้เครื่องมือชำรุดหรือได้รับบาดเจ็บได้

- a. สวิตช์
- b. ปุ่มล๊อค
- c. ตัวจับไขไข
- d. ตามจับตัวหลัก
- e. มือจับ
- f. แบตเตอรี่
- g. ปุ่มปลดล๊อคแบตเตอรี่

ห้ามใช้ในบริเวณที่เปียกชื้น หรือมีของเหลวหรือแก๊สที่ติดไฟได้อยู่ในบริเวณดังกล่าว

สื่อยึดไขไขไฟไร้สายเป็นเครื่องมือไฟฟ้าระดับมืออาชีพ

ห้ามปล่อยให้เด็กสัมผัสกับเครื่องมือ ผู้ใช้งานที่ไม่มีความรู้ก่อนต้องได้รับการดูแลขณะใช้เครื่องมือนี้

- เครื่องมือนี้ไม่ได้มีไว้เพื่อการใช้งานโดยบุคคล (ซึ่งรวมถึงผู้เยาว์) ที่มีความบกพร่องทางร่างกาย ทางความรู้สึก หรือทางจิตประสาท หรือขาดประสบการณ์ และ/หรือขาดความรู้ และทักษะ เว้นเสียแต่จะได้รับการควบคุมดูแลหรือคำแนะนำการใช้เครื่องมือโดยผู้ที่รับผิดชอบต่อความปลอดภัยของบุคคลเหล่านั้น ห้ามปล่อยให้ผู้เยาว์ไว้กับเครื่องมือนี้ตามลำพัง

ความปลอดภัยทางไฟฟ้า

มอเตอร์ไฟฟ้าออกแบบมาเพื่อใช้กับแรงดันไฟฟ้าขนาดเดียวเท่านั้น ต้องตรวจสอบแรงดันไฟฟ้าของแบตเตอรี่ให้ตรงกับแรงดันไฟฟ้าบนแผ่นแสดงที่กั๊ดเสมอ รวมทั้งตรวจสอบว่าแรงดันไฟฟ้าของเครื่องชาร์จตรงกันกับสายไฟตู้เครื่องของคุณ



เครื่องชาร์จไฟ STANLEY ของคุณได้รับการเคลือบฉนวนสองชั้นตามมาตรฐาน EN 60335 ดังนั้นจึงไม่จำเป็นต้องต่อสายดิน

ถ้าสายไฟของตู้เครื่องชำรุดเสียหาย ต้องเปลี่ยนเป็นสายไฟที่จัดเตรียมมาเป็นพิเศษซึ่งสั่งซื้อได้จากศูนย์บริการของ STANLEY

การใช้สายพ่วง

ไม่ควรใช้สายต่อพ่วง เว้นแต่มีความจำเป็นอย่างหลีกเลี่ยงไม่ได้ ควรใช้สายต่อพ่วงที่ผ่านการรับรองและเหมาะสมกับกำลังไฟเข้าของเครื่องชาร์จ (ดูข้อมูลด้านเทคนิค) ขนาดต่ำสุดของสายไฟ คือ 1 ตร.ม. ความยาวสูงสุด คือ 30 ม. เมื่อมีการใช้อุปกรณ์มิวนเก็บสายไฟ ให้คลายสายไฟออกจนหมดทุกครั้ง

การประกอบและการปรับแต่ง



คำเตือน: ก่อนที่จะประกอบและปรับแต่ง ให้ถอดแบตเตอรี่ออกทุกครั้ง ปิดสวิตช์เครื่องมือเสมอก่อนใส่หรือถอดแบตเตอรี่



คำเตือน: ใช้แบตเตอรี่และเครื่องชาร์จของ STANLEY เท่านั้น

การใส่และการถอดแบตเตอรี่ออกจากเครื่องมือ (รูป 2)



คำเตือน: เพื่อลดความเสี่ยงของการบาดเจ็บสาหัส ให้เลื่อนลิ้นคัมเด็นหน้า/ถอยหลังให้อยู่ในตำแหน่งปิด หรือปิดเครื่องมือและถอดแบตเตอรี่ก่อนทำการปรับหรือการถอด/ติดตั้งอุปกรณ์ต่อพ่วงหรืออุปกรณ์เสริมใดๆ การฝืนเปิดเครื่องโดยไม่ตั้งใจอาจทำให้เกิดการบาดเจ็บได้

หมายเหตุ: ตรวจสอบให้แน่ใจว่าตัวชาร์จแบตเตอรี่ (f) เต็มแล้ว

เมื่อต้องการใส่แบตเตอรี่ลงในด้ามจับของเครื่องมือ

1. วางแบตเตอรี่ให้ตรงกับรางภายในด้ามจับของเครื่องมือ
2. เลื่อนแบตเตอรี่ให้เข้าที่พอดี จนได้ยินเสียงล็อกเข้าที่

เมื่อต้องการถอดแบตเตอรี่ออกจากเครื่องมือ

1. กดปุ่มปลดล็อกแบตเตอรี่ (g) จากนั้นจับแบตเตอรี่ไว้ที่กระชับและดึงออกจากด้ามจับ
2. ใส่แบตเตอรี่ลงในเครื่องชาร์จตามที่บรรยายในส่วน of เครื่องชาร์จในคู่มือฉบับนี้

สวิตช์ปรับระดับความเร็ว (รูป 1)

เมื่อต้องการเปิดเครื่องมือ ให้บีบสวิตช์ปรับระดับความเร็ว (a) เมื่อต้องการปิดเครื่อง ให้ปล่อยสวิตช์ปรับระดับความเร็ว

สวิตช์ช่วยให้คุณเริ่มต้นใช้งานที่ความเร็วต่ำได้ ยิ่งคุณกดสวิตช์ลึกลงไปเท่าใด เครื่องมือจะทำงานเร็วขึ้นเท่านั้น



คำเตือน: เครื่องมือนี้ไม่มีกลไกสำหรับล็อกสวิตช์ให้เปิดตลอด และไม่ควรล็อกสวิตช์ให้เปิดตลอดเวลาด้วยวิธีการใดๆ ก็ตาม

ปุ่มลัด

สื่อยของคุณจะมีปุ่มลัด (b) ติดตั้งอยู่ ถ้าต้องการล็อกสวิตช์ (a) ให้กดปุ่มลัดตามที่แสดงในรูป 3 เมื่อกดปุ่มลัดที่รูปถูกแฉ เครื่องมือก็จะถูกล็อกไว้ ให้ล็อกสวิตช์เสมอเมื่อหัวหรือจัดเก็บเครื่องมือเพื่อขจัดปัญหาเครื่องเปิดทำงานโดยไม่ตั้งใจ

หมายเหตุ: แนะนำให้ใช้ความเร็วต่ำมาก ๆ เท่านั้นสำหรับช่วงเริ่มทำการตัด การใช้ความเร็วต่ำมาก ๆ เป็นเวลานานอาจทำให้สื่อยของคุณเกิดความเสียหายได้

การใช้งาน

วิธีการใช้เครื่อง



คำเตือน: ทำตามคำแนะนำด้านความปลอดภัยและข้อกำหนดที่บังคับใช้เสมอ



คำเตือน: เพื่อลดความเสี่ยงของการบาดเจ็บสาหัส ให้ปุ่มลัดอยู่ในตำแหน่งปิดหรือปิดเครื่องมือและถอดแบตเตอรี่ก่อนทำการปรับหรือการถอด/ติดตั้งอุปกรณ์ต่อพ่วงหรืออุปกรณ์เสริมใดๆ การฝืนเปิดเครื่องโดยไม่ตั้งใจอาจทำให้เกิดการบาดเจ็บได้

ตำแหน่งของมือที่ถูกต้อง (รูป 1, 4)



คำเตือน: เพื่อลดความเสี่ยงจากการได้รับบาดเจ็บสาหัส ให้จับเครื่องมือในตำแหน่งที่ถูกต้องดังแสดงในภาพเสมอ



คำเตือน: เพื่อลดความเสี่ยงจากการได้รับบาดเจ็บสาหัส จะต้องจับเครื่องมือให้แน่นทุกครั้ง เพื่อเตรียมพร้อมสำหรับแรงปฏิกิริยาที่เกิดขึ้นแบบทันทีทันใด

ตำแหน่งของการจับที่ถูกต้องคือ มือหนึ่งอยู่บนมือจับ (e) อีกมือหนึ่งอยู่บนมือจับตัวหลัก (d) ที่ทิศทางของมือขยับอยู่กับความพอใจของผู้ใช้

การใส่และการถอดใบเลื่อย (รูป 8)



คำเตือน: เพื่อลดความเสี่ยงของการบาดเจ็บสาหัส ให้ปุ่มลัดอยู่ในตำแหน่งปิดหรือปิดเครื่องมือและถอดแบตเตอรี่ก่อนทำการปรับหรือการถอด/ติดตั้งอุปกรณ์ต่อพ่วงหรืออุปกรณ์เสริมใดๆ การฝืนเปิดเครื่องโดยไม่ตั้งใจอาจทำให้เกิดการบาดเจ็บได้

ความยาวใบมีดขนาดต่างมีพร้อมใช้ ใบมีดที่เหมาะสมกับการใช้งาน ใบมีดควรยาวกว่า 3-1/2" (89 มม.) และควรยื่นผ่านฐานเลื่อยและความหนาของชิ้นงานในระหว่างการตัด แนะนำใบมีดขนาด 4" (102 มม.) เพื่อประสิทธิภาพการทำงานที่ดีที่สุด อย่ใ้ใบเลื่อยลบกั้เครื่องมือนี้



คำเตือน: อันตรายจากการตัด ใบเลื่อยอาจแตกหักได้ ถ้าใบเลื่อยไม่ยื่นผ่านฐานเลื่อย และชิ้นงานในระหว่างการตัด (รูป 6) มีความเสี่ยงเพิ่มขึ้นที่จะได้รับบาดเจ็บ รวมทั้งอาจทำให้เกิดความเสียหายต่อฐานเลื่อยและชิ้นงานได้

เมื่อต้องการใส่ใบเลื่อยเข้าไปในเลื่อย (รูป 8)

1. ดึงก้านปลดล็อกตัวจับใบเลื่อย (g) ขึ้น
2. สอดก้านใบเลื่อยเข้าไปในตัวจับใบเลื่อย (c, รูป 8)
3. ปิดก้านปลดล็อกตัวจับใบเลื่อย
4. โปรดสังเกตุว่าใบเลื่อยสามารถใส่คว่ำลงได้เพื่อช่วยในการตัดให้เสมอ (โปรดดูรูป 8b)

เมื่อต้องการถอดใบเลื่อยออกจากเลื่อย (รูป 8a, 8b)



ข้อควรระวัง: อันตรายจากไฟไหม้ อย่่าสัมผัสใบเลื่อยทันทีหลังจากใช้งาน การสัมผัสใบเลื่อยอาจทำให้ได้รับบาดเจ็บได้

1. ดึงก้านปลดล็อกตัวจับใบเลื่อย (g) ขึ้น
2. ถอดใบเลื่อยออก

การตัด (รูป 6,7,9)



คำเตือน: ใช้เครื่องป้องกันดวงตาเสมอ ผู้ใช้และผู้ที่อยู่ใกล้เคียงต้องสวมอุปกรณ์ป้องกันดวงตาที่สอดคล้องกับ ANSI Z87.1



คำเตือน: ใช้ความระมัดระวังเป็นพิเศษเมื่อตัดไปทางผู้ใช้เครื่องมือ จับเลื่อยด้วยมือทั้งสองข้างให้แน่นทุกครั้งที่เริ่มตัด

ก่อนตัดวัสดุประเภทใดๆ ตรวจสอบให้แน่ใจว่าได้ยึดหรือจับวัสดุนั้นไว้แน่นหนาดีแล้วเพื่อป้องกันการสั่นไหว จรดใบเลื่อยกับงานที่จะตัดอย่างเบามือ เปิดสวิตช์มอเตอร์และปล่อยให้มอเตอร์ทำงานด้วยความเร็วสูงสุดก่อนออกแรงกด ส่วนฐานต้องวางชิดกับวัสดุที่กำลังตัดอย่างมั่นคงทุกครั้งที่จะเป็นไปได้ ซึ่งจะช่วยป้องกันเสียงกระโดด หรือการสั่นสะเทือน และลดการหักของใบเลื่อย การตัดที่ออกแรงกดบนใบเลื่อย เช่น การตัดมุม หรือการตัดลายซุ้มอาจทำให้มีแรงโน้มถ่วงเกิดการสั่นสะเทือน การติดกลับ และการหักของใบเลื่อยได้



คำเตือน: ใช้ความระมัดระวังเป็นพิเศษเมื่อต้องตัดในตำแหน่งที่อยู่เหนือศีรษะ และใส่ใจเป็นพิเศษกับสายไฟที่อยู่ด้านบนซึ่งอาจซ่อนไว้จมองไม่เห็น เตรียมป้องกันกิ่งไม้และเศษชิ้นงานที่จะร่วงหล่นตามแนวเส้นทางการตัดไว้ล่วงหน้า



คำเตือน: ตรวจสอบพื้นที่ทำงานเพื่อหาท่อแก๊ส ท่อน้ำ หรือสายไฟฟ้าที่ซ่อนอยู่ก่อนที่จะทำการตัดในพื้นที่ที่ปิดหรือการตัดแบบเจาะร่อง มิฉะนั้นอาจทำให้เกิดการระเบิด ทรัพย์สินเสียหาย ไฟฟ้าช็อต และ/หรือบาดเจ็บสาหัสได้

การเจาะช่อง/การตัดแบบเจาะร่อง - เฉพาะไม้ (รูป 7)

ขั้นตอนแรกในการเจาะช่องคือการวัดบริเวณพื้นผิวที่จะตัด แล้วทำเครื่องหมายด้วยดินสอ ขอลูก หรือเหล็กขีดให้ชัดเจน ใบมีดที่เหมาะสมกับการใช้งาน ใบมีดควรยาวกว่า 3-1/2" (89 มม.) และควรยื่นผ่านฐานเลื่อยและความหนาของชิ้นงานในระหว่างการตัด แนะนำใบมีดขนาด 4" (102 มม.) เพื่อประสิทธิภาพการทำงานที่ดีที่สุด สอดใบมีดเข้าไปในตัวจับใบเลื่อย

ต่อมาให้เอียงเลื่อยไปด้านหลังจนขอบล่างของฐานเลื่อยวางอยู่บนพื้นผิวงาน และเห็นใบเลื่อยบนพื้นผิวงานอย่างชัดเจน จากนั้นให้บีบสวิตช์และปล่อยให้มอเตอร์เพิ่มความเร็ว

จับเลื่อยให้แน่นด้วยมือทั้งสองข้างและค่อยๆ เริ่มเอียงเลื่อยไปข้างหน้าอย่างระมัดระวังโดยจับอยู่ที่ตัวเลื่อย ให้ส่วนล่างของฐานเลื่อยสัมผัสกับชิ้นงานอย่างมั่นคง ใบเลื่อยจะเริ่มตัดเข้าไปในวัสดุ

ให้แน่ใจเสมอว่าใบเลื่อยได้ตัดทะลุวัสดุก่อนทำการเจาะให้เป็นช่องต่อไป

หมายเหตุ: ในพื้นที่ซึ่งมองเห็นใบเลื่อยได้จำกัด ให้ใช้ขอบของฐานเลื่อยเป็นตัวกะระยะ เส้นสำหรับการตัดที่ระบุไว้ควรอยู่เกินขอบที่จะตัด

การตัดโลหะ (รูป 9)

เลื่อยของคู่มือมีความสามารถในการตัดโลหะที่แตกต่างกัน ซึ่งขึ้นอยู่กับประเภทของใบเลื่อยที่ใช้และโลหะที่จะตัด ใบเลื่อยฟันละเอียดสำหรับโลหะเหล็กและใบเลื่อยฟันหยาบสำหรับโลหะที่ไม่ใช่เหล็ก สำหรับแผ่นโลหะเนื่องจากควรจับยึดที่แผ่นทั้งสองข้าง การทำเช่นนี้ช่วยให้ตัดได้ตรงโดยไม่มีการสั่นคลอนหรือทำให้โลหะฉีกขาด โปรดจำไว้ว่าไม่ควรฝืนใบเลื่อยในการตัดเพราะทำให้อายุการใช้งานสั้นลง และทำให้ใบเลื่อยเสียหาย

หมายเหตุ: ขอแนะนำว่าเมื่อทำการตัดโลหะ คุณควรทาน้ำมันบางๆ หรือสเปรย์หล่อลื่นอื่นๆ ไม่ตามแนวการตัดของเลื่อยล่วงหน้าเพื่อให้อัดได้ง่ายขึ้นและช่วยลดอายุการใช้งานของใบเลื่อย

SCR121 สามารถรองรับใบเลื่อยชักได้ทุกขนาดความยาว ใบเลื่อยขนาด 4" (102 มม.) เพื่อให้ได้ผลลัพธ์ที่ดีที่สุด ตรวจสอบให้แน่ใจว่าใบมีดยื่นผ่านฐานเลื่อยและความหนาของชิ้นงานในระหว่างการตัด ใบเลื่อยที่ยาวกว่าหากมีความจำเป็น ส่วนฐานต้องวางชิดกับวัสดุที่กำลังตัดอย่างมั่นคงทุกครั้งที่จะเป็นไปได้ ซึ่งจะช่วยป้องกันเสียงกระโดดหรือการสั่นสะเทือน และลดการหักของใบเลื่อย

การบำรุงรักษา

เครื่องมือไฟฟ้า STANLEY ออกแบบมาเพื่อให้สามารถใช้งานได้ยาวนานต่อเนื่องโดยมีการบำรุงรักษาน้อยที่สุด การทำงานที่สร้างความพึงพอใจอย่างต่อเนื่องจะขึ้นอยู่กับกรดูแลรักษาที่เหมาะสมและการทำความสะอาดอย่างสม่ำเสมอ



คำเตือน: เพื่อลดความเสี่ยงของกราดบาดเจ็บสาหัส ให้เลื่อนล้อคัมปีเดินหน้า/ถอยหลังให้อยู่ในตำแหน่งปิด หรือปิดเครื่องมือและถอดแบตเตอรี่ก่อนทำการปรับหรือการถอด/ติดตั้งอุปกรณ์ต่อพ่วงหรืออุปกรณ์เสริมใดๆ การปล่อยเปิดเครื่องโดยไม่ได้ตั้งใจอาจทำให้เกิดกราดเจ็บได้

เครื่องชาร์จและแบตเตอรี่ไม่สามารถซ่อมแซมได้ ภายใต้อุปกรณ์ทั้งสองไม่มีชิ้นส่วนใดที่สามารถซ่อมแซมได้



การหลอ่ลื่น

ไม่ต้องใช้สารหล่อลื่นเพิ่มเติมกับเครื่องมือไฟฟ้านี้



การทำความสะอาด



คำเตือน: หมั่นเป่าสิ่งสกปรกและฝุ่นละอองที่สะสมออกจากตัวเครื่องเป็นประจำด้วยลมแห้ง เนื่องจากสิ่งสกปรกมีคุณสมบัติสะสมอยู่ในและรอบๆ ช่องระบายอากาศ สวมอุปกรณ์ป้องกันดวงตาและหน้ากากกันฝุ่นที่ไดมาตรฐานในขณะดำเนินการขั้นตอนนี้



คำเตือน: ห้ามใช้สารที่เป็นตัวทำลายลายหรือสารเคมีที่มีฤทธิ์กัดกร่อนรุนแรงอื่นๆ ทำความสะอาดชิ้นส่วนของเครื่องมือที่ไม่ใช่โลหะ สารเคมีเหล่านี้อาจส่งผลต่อวัสดุที่ใช้ในชิ้นส่วนเหล่านี้ โดยเฉพาะผ้าขนน้าสปริงต่างๆ เท่านั้น อย่านำไหมของเหลวเข้าไปภายในเครื่อง และห้ามไม่ให้ส่วนหนึ่งส่วนใดของเครื่องมือจมลงในของเหลว

คำแนะนำในการทำความสะอาดเครื่องชาร์จ



คำเตือน: อันตรายจากการถูกไฟฟ้าช็อต ถอดเครื่องชาร์จออกจากเต้ารับไฟบ้านก่อนทำความสะอาด ให้ขจัดสิ่งสกปรกและจาระบีออกจากภายนอกของเครื่องชาร์จโดยใช้ผ้าหรือแปรงขนนุ่มที่ไม่ใช่โลหะ ห้ามใช้น้ำหรือน้ำยาทำความสะอาดใดๆ

อุปกรณ์เสริม



คำเตือน: เนื่องจากอุปกรณ์เสริมอื่นนอกเหนือจากที่ STANLEY มีจำหน่าย ไม่ได้ผ่านการทดสอบร่วมกับผลิตภัณฑ์นี้ จึงอาจเป็นอันตรายหากใช้อุปกรณ์เสริมดังกล่าวร่วมกับเครื่องมือนี้ เพื่อเป็นการลดความเสี่ยงจากการได้รับบาดเจ็บ ให้ใช้อุปกรณ์เสริมเฉพาะที่ STANLEY แนะนำให้ใช้ร่วมกับผลิตภัณฑ์เท่านั้น

โปรดติดต่อตัวแทนจำหน่ายหากต้องการข้อมูลเพิ่มเติมเกี่ยวกับอุปกรณ์เสริมที่เหมาะสม

การปกป้องสิ่งแวดล้อม



การเก็บรวบรวมแบบคัดแยก ห้ามทิ้งผลิตภัณฑ์นี้ร่วมกับขยะในครัวเรือนปกติ

เมื่อคุณเห็นว่าจำเป็นต้องเปลี่ยนผลิตภัณฑ์ STANLEY ของคุณ หรือเครื่องมือนี้ไม่เป็นประโยชน์สำหรับคุณอีกต่อไป อย่านำผลิตภัณฑ์นี้พร้อมกับขยะในครัวเรือน จัดการกับผลิตภัณฑ์นี้เพื่อให้พร้อมสำหรับการเก็บรวบรวมแบบคัดแยก



การเก็บรวบรวมแบบคัดแยกสำหรับบรรจุภัณฑ์และผลิตภัณฑ์ที่ใช้แล้วทำให้สามารถรีไซเคิลวัสดุและนำมาใช้งานอีกครั้ง การนำวัสดุรีไซเคิลมาใช้อีกครั้งจะช่วยป้องกันมลพิษต่อสิ่งแวดล้อมและลดความต้องการวัตถุดิบ

ตามกฎระเบียบท้องถิ่นอาจมีการจัดเตรียมสถานที่สำหรับการเก็บรวบรวมแบบคัดแยกอุปกรณ์ไฟฟ้าที่ใช้ภายในครัวเรือนไว้ ณ แหล่งรับขยะของเทศบาล หรืออาจมีการรับอุปกรณ์ใช้แล้วจากผู้ค้าปลีกในกรณีที่คุณซื้อผลิตภัณฑ์ชิ้นใหม่



แบตเตอรี่แบบชาร์จซ้ำได้

แบตเตอรี่ที่มีอายุการใช้งานยาวนานนี้จำเป็นต้องรับการชาร์จไฟใหม่เมื่อไม่สามารถจ่ายพลังงานเพียงพอสำหรับการทำงานซึ่งเคยทำได้โดยง่าย เมื่อแบตเตอรี่หมดอายุการทำงานทางด้านเทคนิคแล้ว ให้นำแบตเตอรี่ไปกำจัดทิ้งโดยคำนึงถึงผลกระทบต่อสิ่งแวดล้อม:

- ใช้แบตเตอรี่ให้หมดเกลี้ยง จากนั้นถอดแบตเตอรี่ออกจากเครื่องมือ
- แบตเตอรี่ Li-Ion สามารถรีไซเคิลได้ โปรดนำไปที่ตัวแทนจำหน่ายหรือสถานีรีไซเคิลในพื้นที่ของคุณ แบตเตอรี่ที่เรารวบรวมได้จะนำไปรีไซเคิลหรือกำจัดอย่างเหมาะสมต่อไป

ข้อสังเกต

เนื่องจาก Stanley มุ่งนโยบายพัฒนาปรับปรุงผลิตภัณฑ์อย่างต่อเนื่อง ดังนั้น เราจึงขอสงวนสิทธิ์ในการเปลี่ยนแปลงข้อมูลจำเพาะของผลิตภัณฑ์โดยไม่แจ้งให้ทราบล่วงหน้า

- อุปกรณ์มาตรฐานและอุปกรณ์เสริมอาจแตกต่างกันในแต่ละประเทศ
- ข้อมูลจำเพาะของผลิตภัณฑ์อาจแตกต่างกันในแต่ละประเทศ
- ตัวเลือกผลิตภัณฑ์อาจมีจำหน่ายไม่ครบทุกการภายในบางประเทศ โปรดสอบถามตัวแทนเลือกผลิตภัณฑ์จากตัวแทนจำหน่ายของ Stanley ในประเทศของคุณ

MÁY CỬA KIỂM 12V Li-Ion SCR121

Dữ liệu kỹ thuật

THÔNG SỐ KỸ THUẬT		SCR121	
Điện áp	V_{DC}	12	
Tốc độ không tải:	phút ⁻¹	0-2700	
Công suất đầu ra tối đa	W	140	
Độ dài đường cửa	mm	20	
Trọng lượng (không có pin)	kg	1,05	
BỘ SẠC			
		SC121	SC122
Điện áp đầu vào	V_{AC}	220-240	220-240
Điện áp đầu ra	V_{DC}	22	12
Dòng đầu ra (DC)	A	1.25	1.25
Thời gian sạc xấp xỉ	phút	70(1.5Ah)	70(1.5Ah)
Pin			
		SCB12S	
Điện áp	V_{DC}	12V Max	
Dung lượng	Ah	1.5	

Mục đích sử dụng

Máy cửa kiểm Stanley SCR121 12V Li-Ion được thiết kế để cắt gỗ, kim loại, nhựa và PVC.

Hướng dẫn an toàn

Cảnh báo chung về an toàn cho dụng cụ điện cầm tay



CẢNH BÁO! Hãy đọc tất cả các cảnh báo và hướng dẫn về an toàn. Việc không tuân thủ các cảnh báo và hướng dẫn có thể gây giật điện, cháy nổ và/hoặc chấn thương nghiêm trọng.

GIỮ LẠI MỌI CẢNH BÁO VÀ HƯỚNG DẪN ĐỂ SAU NÀY THAM KHẢO.

Thuật ngữ “dụng cụ điện cầm tay” trong phần cảnh báo chỉ thiết bị chạy bằng điện nguồn (có dây điện) hoặc thiết bị chạy bằng pin (không có dây điện).

1. An toàn tại nơi làm việc

- Đảm bảo nơi làm việc luôn sạch sẽ và đủ ánh sáng.** Những khu vực bừa bộn hoặc thiếu ánh sáng dễ gây tai nạn.

- Không vận hành dụng cụ điện cầm tay trong các môi trường dễ cháy nổ, như các môi trường có chất lỏng, khí ga hoặc bụi dễ cháy.** Dụng cụ điện cầm tay tạo ra các tia lửa điện có thể gây cháy bụi hoặc bốc khói.
- Không cho trẻ em và những người quan sát lại gần khi đang vận hành dụng cụ điện cầm tay.** Những lúc xao lãng có thể khiến bạn mất kiểm soát.

2. An toàn điện

- Phích cắm của dụng cụ điện cầm tay phải vừa với ổ cắm.** Không được sửa đổi phích cắm dưới bất kỳ hình thức nào. Không được sử dụng các phích cắm chuyên đổi với những dụng cụ điện cầm tay có nối đất. Phích cắm nguyên trạng và ổ cắm phù hợp sẽ giúp giảm nguy cơ bị điện giật.
- Tránh tiếp xúc với các bề mặt được nối đất như đường ống, lò sưởi, bếp nướng và tủ lạnh.** Nguy cơ bị điện giật sẽ cao hơn nếu cơ thể bạn tiếp xúc trực tiếp với đất.
- Không để các dụng cụ điện cầm tay ngoài trời mưa hoặc ở nơi ẩm ướt.** Nước vào trong dụng cụ điện cầm tay sẽ làm tăng nguy cơ bị điện giật.
- Không dùng dây điện cho các mục đích khác.** Tuyệt đối không sử dụng dây điện để mang, kéo hoặc rút phích cắm dụng cụ điện cầm tay. Để dây điện cách xa nguồn nhiệt, dầu mỡ, các cạnh sắc hoặc các bộ phận chuyển động. Dây điện bị hỏng hoặc bị vướng sẽ làm tăng nguy cơ bị điện giật.
- Khi vận hành dụng cụ điện cầm tay ngoài trời, hãy sử dụng dây nối dài phù hợp để sử dụng ngoài trời.** Sử dụng dây điện phù hợp để sử dụng ngoài trời sẽ giúp giảm nguy cơ bị điện giật.
- Nếu bắt buộc phải vận hành dụng cụ điện cầm tay ở nơi ẩm ướt, hãy sử dụng nguồn được bảo vệ bởi thiết bị ngắt mạch tự động (RCD).** Sử dụng RCD giúp giảm nguy cơ bị điện giật.

3. An toàn cá nhân

- Hãy tập trung, chú ý vào những gì bạn đang làm và tỉnh táo khi vận hành dụng cụ điện cầm tay.** Không sử dụng dụng cụ điện cầm tay khi bạn đang mệt hoặc chịu ảnh hưởng của rượu bia, ma túy hoặc chất kích thích. Chỉ một khoảnh khắc mất tập trung trong khi

- vận hành dụng cụ điện cầm tay cũng có thể dẫn đến chấn thương cá nhân nghiêm trọng.
- b. Sử dụng thiết bị bảo hộ cá nhân. Luôn đeo kính bảo hộ.** Thiết bị bảo hộ như mặt nạ chống bụi, giày chống trượt, mũ cứng hoặc thiết bị bảo vệ tai - nếu được sử dụng ở những điều kiện phù hợp - sẽ giúp giảm các chấn thương cá nhân.
- c. Tránh vô tình bật máy. Đảm bảo công tắc ở vị trí tắt trước khi nối với nguồn điện và/hoặc pin, khi cầm lên hoặc mang dụng cụ.** Việc cầm dụng cụ điện cầm tay khi ngón tay đặt vào công tắc hoặc sạc pin cho dụng cụ điện cầm tay khi công tắc đang bật có thể gây tai nạn.
- d. Hãy tháo hết khóa điều chỉnh hoặc cờ lê trước khi bật dụng cụ điện cầm tay.** Cờ lê hoặc khóa vặn để ở bộ phận quay của dụng cụ điện cầm tay có thể dẫn đến chấn thương cá nhân.
- e. Không được với tay. Hãy luôn đứng đúng tư thế và giữ thăng bằng.** Điều đó giúp kiểm soát dụng cụ điện cầm tay tốt hơn trong các tình huống bất ngờ.
- f. Mặc quần áo phù hợp. Không mặc quần áo rộng hoặc đeo đồ trang sức. Giữ cho tóc, quần áo và găng tay tránh xa các bộ phận chuyển động.** Quần áo rộng, đồ trang sức hoặc tóc dài có thể bị mắc vào các bộ phận chuyển động.
- g. Nếu các thiết bị được cung cấp để nối các phương tiện hút và gom bụi, hãy đảm bảo những thiết bị này được nối và sử dụng đúng cách.** Sử dụng thiết bị gom bụi có thể giảm các nguy cơ liên quan đến bụi.
- 4. Sử dụng và bảo quản dụng cụ điện cầm tay**
- a. Sử dụng dụng cụ điện cầm tay phù hợp.** Sử dụng dụng cụ điện cầm tay phù hợp với mục đích của bạn. Dụng cụ điện cầm tay phù hợp sẽ giúp bạn làm việc hiệu quả và an toàn hơn theo đúng tốc độ được thiết kế.
- b. Không sử dụng dụng cụ điện cầm tay nếu công tắc không bật và tắt được.** Mọi dụng cụ điện cầm tay không điều khiển được bằng công tắc đều rất nguy hiểm và cần phải được sửa chữa.
- c. Rút phích cắm dụng cụ điện cầm tay khỏi nguồn điện và/hoặc pin trước khi thực hiện các điều chỉnh, thay đổi phụ kiện hoặc cất giữ dụng cụ.** Các biện pháp an toàn phòng ngừa đó giúp giảm nguy cơ khởi động dụng cụ điện cầm tay một cách tình cờ.
- d. Bảo quản các dụng cụ điện cầm tay không sử dụng tránh xa tầm tay trẻ em và không cho phép những người không quen với dụng cụ điện cầm tay hoặc những hướng dẫn này vận hành dụng cụ điện cầm tay.** Dụng cụ điện cầm tay sẽ rất nguy hiểm khi được sử dụng bởi những người chưa được huấn luyện.
- e. Bảo trì dụng cụ điện cầm tay. Kiểm tra các bộ phận di chuyển xem có bị lắp lệch hoặc kẹt không, các bộ phận có bị vỡ không và bất kỳ tình trạng nào khác có thể ảnh hưởng đến việc vận hành dụng cụ. Nếu dụng cụ điện cầm tay bị hỏng, hãy sửa chữa trước khi sử dụng.** Rất nhiều tai nạn xảy ra do công tác bảo trì các dụng cụ điện cầm tay kém.
- f. Đảm bảo các thiết bị cất luôn sắc và sạch sẽ.** Các dụng cụ cất được bảo trì đúng cách với các cạnh sắc sẽ ít bị kẹt hơn và dễ điều khiển hơn.
- g. Sử dụng dụng cụ điện cầm tay, các phụ kiện và mũi khoan, v.v. theo các hướng dẫn này, chú ý đến các điều kiện làm việc và công việc cần thực hiện.** Sử dụng dụng cụ điện cầm tay sai mục đích có thể gây nguy hiểm.
- 5. Sử dụng và bảo quản pin**
- a. Chỉ sạc lại pin bằng bộ sạc do nhà sản xuất quy định.** Bộ sạc chỉ thích hợp cho một loại pin có thể tạo nguy cơ cháy khi được sử dụng với loại pin khác.
- b. Chỉ sử dụng dụng cụ điện cầm tay với các loại pin được chỉ định cụ thể.** Sử dụng pin khác có thể tạo nguy cơ bị chấn thương và nguy cơ cháy.
- c. Khi không sử dụng pin, để pin xa các vật dụng kim loại như kẹp giấy, tiền đồng, chìa khóa, đinh, vít hay các vật dụng kim loại nhỏ khác có thể tạo kết nối từ sang cực khác.** Các cực của pin bị chạm mạch với nhau có thể khiến người vận hành bị bỏng hoặc gây ra hỏa hoạn.
- d. Nếu lạm dụng pin, dung dịch có thể chảy ra từ pin; tránh tiếp xúc. Nếu vô tình tiếp xúc, rửa lại bằng nước.** Nếu chất lỏng dính vào mắt, hãy đến cơ sở y tế nhờ can thiệp. Chất lỏng chảy ra từ pin có thể gây kích ứng hoặc bỏng da.

6. Bảo dưỡng

- a. **Hãy để nhân viên bảo dưỡng có chuyên môn tiến hành bảo dưỡng dụng cụ điện cầm tay cho bạn và chỉ sử dụng các bộ phận thay thế chính hãng.** Điều này giúp đảm bảo độ an toàn của dụng cụ điện cầm tay đó.

Các hướng dẫn an toàn bổ sung cho Máy cưa kiểm

- **Chỉ cầm dụng cụ điện cầm tay ở phần bề mặt tay cầm cách điện khi thực hiện thao tác mà phụ kiện cắt có thể tiếp xúc với hệ thống dây điện chìm.** Phụ kiện cắt tiếp xúc với dây "có điện" có thể khiến các bộ phận kim loại hở của dụng cụ điện cầm tay "nhiễm điện" và khiến người vận hành bị điện giật.
- **LUÔN đeo mặt nạ chống bụi.** Tiếp xúc với các hạt bụi có thể gây khó thở và tổn thương.
- **Không bao giờ** bật dụng cụ khi lưỡi cưa bị kẹt trong phôi gia công hoặc đang tiếp xúc với vật liệu.
- **Đỡ tay cách xa các bộ phận chuyển động.** Không đặt tay gần khu vực cưa.
- **Thận trọng hơn khi cắt ở trên cao và đặc biệt chú ý đến dây điện ở trên cao, bạn có thể không nhìn thấy những vật này.** Dự đoán trước hướng rơi của cành cây và các mảnh vụn.
- **Không vận hành dụng cụ này trong khoảng thời gian dài.** Khi máy đang vận hành, độ rung của máy có thể gây những chấn thương cho phần ngón tay, bàn tay hoặc cánh tay. Sử dụng gang tay để có thêm độ đệm, thường xuyên nghỉ giải lao và hạn chế làm việc quá nhiều giờ trong ngày.

Bật và tắt

- Sau khi tắt, không được cố dừng lưỡi cưa bằng ngón tay.
- Không bao giờ đặt máy cưa lên bàn hoặc bàn làm việc trừ khi đã tắt. Lưỡi cưa sẽ tiếp tục chạy trong thời gian ngắn sau khi tắt dụng cụ.

Khi cưa

- Khi sử dụng lưỡi cưa được thiết kế để cắt gỗ, hay loại bỏ tất cả đinh và các vật kim loại khỏi phôi gia công trước khi bắt đầu cưa.
- Bất cứ khi nào có thể, hãy sử dụng dụng cụ kẹp và ê tô để vận chặt phôi gia công.
- Không được cố cưa các phôi gia công vô cùng nhỏ.

- Không được uốn cong quá xa về phía trước. Đảm bảo rằng bạn luôn đứng vững, đặc biệt là trên giàn giáo hoặc thang.
- Luôn cầm chắc máy cưa bằng cả hai tay.
- Để cắt đường cong hoặc rãnh, hãy sử dụng lưỡi cưa phù hợp.

Kiểm tra và thay lưỡi cưa

- Chỉ sử dụng lưỡi cưa tuân theo thông số kỹ thuật quy định trong hướng dẫn vận hành này.
- Chỉ được sử dụng lưỡi cưa sắc trong điều kiện sử dụng tốt; phải vớt bỏ và thay thế lưỡi cưa bị nứt hoặc cong.
- Đảm bảo rằng lưỡi cưa đã được lắp chắc chắn.

Các nguy cơ khác

Cho dù áp dụng các quy tắc an toàn liên quan và dùng các thiết bị an toàn cũng không thể tránh được một số nguy cơ khác.

Những nguy cơ này gồm:

- Suy giảm thính lực.
- Nguy cơ chấn thương cá nhân do các hạt bay vào người.
- Nguy cơ bị bỏng do các phụ kiện trở nên nóng trong khi vận hành.
- Nguy cơ chấn thương cá nhân do sử dụng trong thời gian dài.

KÝ HIỆU TRÊN DỤNG CỤ

Trên dụng cụ của bạn có thể có những ký hiệu sau cùng mã ngày:



CẢNH BÁO! Để giảm nguy cơ chấn thương, người dùng phải đọc hướng dẫn sử dụng.

VỊ TRÍ MÃ NGÀY

Mã ngày, bao gồm cả năm sản xuất, được in trên vỏ máy.

Ví dụ:

2019 XX JN
Năm sản xuất

Hướng dẫn an toàn quan trọng cho mọi bộ sạc pin

GIỮ LẠI CÁC HƯỚNG DẪN NÀY: Tài liệu hướng dẫn này bao gồm những hướng dẫn an toàn và vận hành quan trọng dành cho bộ sạc pin SC121.

- Trước khi sử dụng bộ sạc, hãy đọc tất cả chỉ dẫn và những lưu ý ghi trên bộ sạc pin, pin và sản phẩm chạy bằng pin.



CẢNH BÁO: Nguy cơ điện giật. Không để bất kỳ chất lỏng nào lọt vào bên trong bộ sạc. Có thể dẫn đến điện giật.



THẬN TRỌNG: Nguy cơ gây bỏng. Để giảm nguy cơ chấn thương, chỉ sạc pin có thể sạc lại của STANLEY. Sạc các loại pin khác có thể gây cháy dẫn đến chấn thương cá nhân và hỏng pin.



THẬN TRỌNG: Phải giám sát để đảm bảo trẻ không nghịch thiết bị.

LƯU Ý: Trong một số trường hợp, bộ sạc vẫn cắm vào nguồn điện, bộ sạc có thể bị chập mạch do chất lạ. Không để các chất lạ có tính dẫn điện chẳng hạn như, nhưng không giới hạn ở, bóng thép, lá nhôm hoặc bất kỳ sự tích tụ nào của các hạt kim loại dính vào các hốc của bộ sạc. Luôn rút phích cắm bộ sạc ra khỏi nguồn điện khi không có pin trong hốc bộ sạc. Rút phích cắm trước khi vệ sinh bộ sạc.

- **KHÔNG sạc pin bằng bất kỳ bộ sạc nào không được khuyến dùng trong tài liệu hướng dẫn này.** Bộ sạc được thiết kế riêng cho loại pin này.
- Những bộ sạc này chỉ được thiết kế để sạc pin sạc lại được của STANLEY. Sử dụng bộ sạc này cho các mục đích khác có thể gây nguy cơ hỏa hoạn, sốc điện hoặc giật điện.
- Không để bộ sạc dưới trời mưa hoặc tuyết.
- Khi ngắt kết nối bộ sạc, nên cầm tay ở phần phích cắm, không nên kéo bằng dây điện. Điều này sẽ giúp giảm nguy cơ hỏng phích cắm và dây điện.
- Đặt dây điện ở vị trí thích hợp để tránh người khác dẫm lên dây, vướng vào dây hoặc làm hỏng hoặc làm căng dây.
- Không sử dụng dây nối dài trừ trường hợp thực sự cần thiết. Sử dụng dây nối dài không thích hợp có thể dẫn đến nguy cơ hỏa hoạn, sốc điện hoặc giật điện.
- Không để bất cứ vật gì lên trên bộ sạc hoặc không đặt bộ sạc lên trên bề mặt mềm khiến cho các khe thông gió bị chắn và làm cho nhiệt độ bên trong dụng cụ tăng quá cao. Đặt bộ sạc ở nơi cách xa mọi nguồn nhiệt. Bộ sạc được thông gió qua các khe ở phía trên và phía dưới vỏ.

- **Không sử dụng bộ sạc khi dây điện hoặc phích cắm bị hỏng** — thay ngay dây điện hoặc phích cắm hỏng.
- **Không sử dụng nếu bộ sạc bị va đập mạnh, bị rơi hoặc bị hỏng trong bất kỳ trường hợp nào.** Hãy mang bộ sạc đến trung tâm dịch vụ được ủy quyền.
- **Không tháo rời bộ sạc; hãy đem bộ sạc đến trung tâm dịch vụ được ủy quyền khi cần bảo dưỡng hoặc sửa chữa.** Việc lắp lại không đúng có thể dẫn đến nguy cơ bị sốc điện, giật điện hoặc hỏa hoạn.
- Trong trường hợp dây cấp nguồn bị hỏng, việc thay thế phải được thực hiện ngay bởi nhà sản xuất, đại lý bảo dưỡng hoặc người có đủ chuyên môn để tránh gây nguy hiểm.
- **Ngắt kết nối bộ sạc khỏi ổ cắm điện trước khi vệ sinh. Điều này sẽ giúp giảm nguy cơ bị giật điện.** Tháo pin sẽ không giúp giảm nguy cơ này.
- **TUYỆT ĐỐI** không nối 2 bộ sạc với nhau.
- **Bộ sạc được thiết kế để hoạt động bằng nguồn điện gia đình chuẩn. Không cắm bộ sạc vào nguồn điện có điện áp khác.** Điều này không áp dụng với bộ sạc của phương tiện.

GIỮ LẠI CÁC HƯỚNG DẪN NÀY

Bộ sạc

Bộ sạc SC122(SC121) phù hợp để sạc các pin Li-Ion 12V Max.

Bộ sạc này không cần điều chỉnh và được thiết kế sao cho vận hành dễ dàng hết mức có thể.


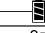


Quy trình sạc pin (hình 2)

1. Cắm phích cắm bộ sạc (j) vào ổ cắm phù hợp trước khi lắp pin.
2. Lắp pin (g) vào bộ sạc. Đèn màu đỏ (đang sạc) nhấp nháy liên tục cho biết quá trình sạc đã bắt đầu.
3. Khi đèn màu đỏ SÁNG liên tục nghĩa là đã sạc xong. Pin đã được sạc đầy và có thể được sử dụng ngay hoặc để lại trong bộ sạc.

LƯU Ý: Để đảm bảo hiệu suất và tuổi thọ tối đa của pin Li-Ion, hãy sạc đầy pin trước lần sử dụng đầu tiên.

Quá trình sạc pin

Tham khảo các bảng dưới đây để biết thông tin về tình trạng sạc pin.

Tình trạng sạc	SC122
đang sạc	 nháy xanh
đã sạc đầy	 đèn xanh
pin nóng	 nháy đỏ
Lỗi pin	 Đèn đỏ

NGỪNG SẠC PIN DO QUÁ NÓNG/LẠNH

SC122(SC121)

Khi bộ sạc phát hiện pin quá nóng, bộ sạc sẽ tự động ngừng sạc cho đến khi pin đã nguội.

Khi bộ sạc phát hiện pin quá lạnh, bộ sạc sẽ tự động ngừng sạc cho đến khi pin đã nóng.

Đèn đỏ sẽ tiếp tục nhấp nháy, trong khi đèn báo màu vàng sẽ sáng trong suốt quá trình hoạt động này. Khi pin đã nguội, đèn vàng sẽ tắt và bộ sạc sẽ tiếp tục quá trình sạc pin.

Dụng cụ chạy pin Li-Ion của Stanley được thiết kế bao gồm Hệ thống bảo vệ điện tử giúp bảo vệ pin khỏi hiện tượng quá tải, quá nhiệt hoặc xả kiệt.

Dụng cụ này sẽ tự động tắt nếu Hệ thống Bảo vệ Điện tử bật. Nếu điều này xảy ra, đặt pin Li-Ion trong bộ sạc cho đến khi sạc đầy.

CHỈ LOẠI PIN LI-ION

Pin Li-Ion được thiết kế bao gồm Hệ thống Bảo vệ điện tử giúp bảo vệ pin khỏi hiện tượng quá tải, quá nhiệt hoặc xả kiệt.

Dụng cụ này sẽ tự động tắt nếu Hệ thống Bảo vệ Điện tử bật. Nếu điều này xảy ra, đặt pin Li-Ion trong bộ sạc cho đến khi sạc đầy.

Hướng dẫn an toàn quan trọng dành cho mọi loại pin

Khi yêu cầu thay thế pin, hãy đảm bảo rằng có số catalog và điện áp.

Pin chưa được sạc đầy khi bạn lấy pin ra khỏi hộp. Trước khi sử dụng pin và bộ sạc, hãy đọc các hướng dẫn về an toàn dưới đây. Sau đó, hãy tuân thủ quy trình sạc được phác thảo.

ĐỌC TẤT CẢ HƯỚNG DẪN

- **Không sạc hoặc sử dụng pin trong các môi trường dễ cháy nổ, chẳng hạn như các môi trường có chất lỏng, khí hoặc bụi dễ cháy.** Lắp hoặc tháo pin ra khỏi bộ sạc có thể gây cháy bụi hoặc bốc khói.
- **Tuyệt đối không cố lắp pin vào bộ sạc. Không được sửa đổi pin theo bất kỳ cách nào để lắp vừa vào bộ sạc không tương thích vì**

pin có thể gây gây ra chấn thương cá nhân nghiêm trọng.

- Chỉ sạc pin bằng bộ sạc STANLEY.
- **KHÔNG** vẩy nước vào pin hoặc nhúng pin vào nước hoặc các chất lỏng khác.
- **Không bảo quản hoặc sử dụng dụng cụ và pin ở nơi có nhiệt độ có khả năng lớn hơn hoặc bằng 40°C (105°F) (chẳng hạn như bên ngoài xưởng hoặc các công trình xây dựng bằng kim loại vào mùa hè).**



CẢNH BÁO: Tuyệt đối không mở pin vì bất cứ lý do gì. Nếu vỏ pin bị nứt hoặc bị hỏng, không được lắp vào bộ sạc. Không để lên, đánh rơi hoặc làm hỏng pin. Không sử dụng pin hoặc bộ sạc bị va đập mạnh, bị rơi, bị dầm lên hoặc bị làm hỏng bằng bất kỳ cách nào (ví dụ: bị móng tay chọc vào, bị búa đập vào, bị dầm lên). Điều này có thể gây sốc điện hoặc giật điện. Nên trả lại pin bị hỏng cho trung tâm dịch vụ để tái chế.



THẬN TRỌNG: Khi không sử dụng, đặt nằm dụng cụ trên bề mặt chắc chắn để dụng cụ không bị trượt hoặc bị rơi. Một số dụng cụ có pin lớn sẽ đứng thẳng được nhờ có pin nhưng để bị đổ.

HƯỚNG DẪN AN TOÀN CỤ THỂ CHO PIN LITHIUM ION (Li-Ion)

- **Không thiêu hủy pin ngay cả khi pin đã hỏng hoàn toàn hoặc bị mòn hết.** Pin có thể nổ khi bị thiêu hủy. Việc thiêu hủy pin sẽ sinh ra khói và các chất độc.
- **Nếu dung dịch của pin dính vào da của bạn, hãy rửa ngay bằng xà phòng có tính tẩy nhẹ và nước.** Nếu chất lỏng chảy ra từ pin dính vào mắt, hãy mở mắt và rửa bằng nước sạch trong 15 phút hoặc cho tới khi hết bị kích ứng. Hãy tìm sự trợ giúp y tế nếu bạn tiếp xúc với chất điện phân của pin bao gồm hỗn hợp cacbonat hữu cơ lỏng và muối lithi.
- **Dung dịch chảy ra từ pin hồ có thể gây ra kích ứng hô hấp.** Hãy hít thở không khí trong lành. Nếu không hết các triệu chứng, hãy tìm sự trợ giúp y tế.



CẢNH BÁO: Nguy cơ gây bỏng. Chất lỏng chảy ra từ pin có thể bắt lửa nếu tiếp xúc với tia lửa hoặc ngọn lửa.

Vận chuyển

PIN STANLEY tuân thủ tất cả các quy định vận chuyển hiện hành theo tiêu chuẩn công nghiệp và quy

phạm pháp luật bao gồm Khuyến nghị của Liên hợp quốc về vận chuyển hàng hóa nguy hiểm; Hiệp hội vận tải hàng không quốc tế (IATA), Quy định hàng hóa nguy hiểm, Quy định về hàng hóa nguy hiểm trong hàng hải quốc tế (IMDG) và Hiệp định của Châu Âu về Vận chuyển quốc tế hàng nguy hiểm bằng đường bộ (ADR). Pin Lithium-ion đã được thử nghiệm theo phần 38.3 của Khuyến nghị của Liên Hợp Quốc về vận chuyển hàng hóa nguy hiểm, Sách hướng dẫn thử nghiệm và tiêu chí.

Trong hầu hết các trường hợp, việc vận chuyển pin STANLEY sẽ không bị phân loại là vật liệu nguy hại Loại 9 như đã quy định. Nhìn chung, cả hai trường hợp yêu cầu loại hình vận chuyển Loại 9 là:

1. Khi vận chuyển nhiều pin Li-ion STANLEY bằng đường hàng không khi kiện hàng chỉ chứa pin (không có dụng cụ) và
2. Bất kỳ lô hàng có chứa pin lithium-ion nào có mức năng lượng lớn hơn 100 watt giờ (Wh). Tất cả pin lithium-ion đều có ghi mức watt giờ trên pin.

Cho dù lô hàng nằm trong trường hợp ngoại lệ hoặc hoàn toàn theo quy định, việc tham khảo quy định mới nhất đối với việc đóng gói, dán nhãn/đánh dấu và yêu cầu tài liệu thuộc trách nhiệm của người gửi.

Việc vận chuyển pin có thể gây cháy nổ nếu các cực pin vô tình tiếp xúc với các vật dẫn điện. Khi vận chuyển pin, đảm bảo rằng các cực của pin được bảo vệ đồng thời được cách ly khỏi các vật liệu có thể kết nối các cực của pin với nhau và gây hiện tượng chập mạch.

Thông tin được cung cấp trong phần này của sách hướng dẫn là đáng tin cậy và chính xác tại thời điểm tạo ra tài liệu này. Tuy nhiên, không cung cấp bảo hành, dưới hình thức nêu rõ ràng hay ngụ ý. Người mua chịu trách nhiệm đảm bảo rằng các hoạt động phải tuân thủ theo các quy định hiện hành.

Pin

LOẠI PIN

SCR121 vận hành bằng pin 12 V.

Khuyến cáo bảo quản

1. Nên bảo quản ở nơi mát mẻ và khô ráo, tránh ánh sáng mặt trời chiếu trực tiếp và không quá nóng hoặc quá lạnh. Để có hoạt động và tuổi thọ pin tối ưu, hãy bảo quản pin ở nhiệt độ phòng khi không sử dụng.
2. Đối với việc bảo quản trong thời gian dài, chúng tôi khuyên bạn nên bảo quản pin đã sạc đầy ở

nơi khô ráo thoáng mát và tháo khỏi bộ sạc để cho kết quả tốt nhất.

LƯU Ý: Khi bảo quản pin, không nên để pin ở trạng thái hoàn toàn hết điện. Cần sạc lại pin trước khi sử dụng.

Nhãn trên bộ sạc và pin

Ngoài hình được sử dụng trong tài liệu hướng dẫn này, nhãn trên bộ sạc và pin có thể chỉ các hình vẽ sau:



Đọc kỹ hướng dẫn sử dụng trước khi dùng.



Xem **Thông số kỹ thuật** để biết thời gian sạc pin.



Đang sạc pin.



Đã sạc pin.



Pin hỏng.



Ngừng sạc pin do quá nóng/lạnh.



Không kiểm tra bằng các đồ vật dẫn điện.



Không sạc pin đã hỏng.



Không được tiếp xúc với nước.



Lập tức thay dây nguồn đã hỏng.



Chỉ sạc ở mức nhiệt độ 4°C và 40°C.



Chỉ sử dụng trong nhà.



Thận trọng khi thải bỏ pin để bảo vệ môi trường.



Chỉ sạc pin STANLEY bằng bộ sạc STANLEY được chỉ định. Việc sạc pin khác ngoài pin STANLEY được chỉ định bằng bộ sạc STANLEY có thể làm cho chúng bị nổ hoặc gây ra các tình huống nguy hiểm khác.



Không đốt pin.

Thiết bị trong hộp

Hộp sản phẩm bao gồm:

- 1 Máy cưa kiểm không dây
 - 1 Bộ sạc
 - 2 Cục pin (S2) hoặc 1 cục pin (S1)
 - 1 Hướng dẫn sử dụng
- Kiểm tra dụng cụ, các bộ phận hoặc phụ kiện xem có bị hư hỏng do quá trình vận chuyển hay không.
 - Dành thời gian đọc kỹ và hiểu rõ hướng dẫn sử dụng trước khi vận hành máy.

Mô tả (hình 1)



CẢNH BÁO: Không sửa đổi dụng cụ điện cầm tay hay bất kỳ bộ phận nào của máy. Việc sửa có thể làm hỏng dụng cụ điện cầm tay hoặc gây chấn thương cá nhân.

- a. Công tắc khởi động
- b. Nút khóa
- c. Kẹp lưỡi cưa
- d. Tay cầm chính
- e. vân cao su tay cầm chống trượt
- f. Cục pin
- g. Nút nhả pin

KHÔNG sử dụng máy ở những nơi ẩm ướt hoặc có chất lỏng hoặc khí dễ cháy.

Máy cưa kiểm này là một dụng cụ cầm tay chuyên nghiệp.

KHÔNG để trẻ em tiếp xúc với dụng cụ. Cần phải giám sát khi người chưa có kinh nghiệm sử dụng dụng cụ này.

- Không cho phép những người (bao gồm cả trẻ em) bị suy giảm năng lực thể chất, trí tuệ hoặc cảm giác, hay người thiếu kinh nghiệm và/hoặc kiến thức hoặc kỹ năng sử dụng dụng cụ điện cầm tay này, trừ khi có sự giám sát của người chịu trách nhiệm về vấn đề an toàn của họ. Tuyệt đối không để trẻ em một mình với sản phẩm này.

An toàn Điện

Động cơ điện chỉ được thiết kế với một mức điện áp. Luôn kiểm tra điện áp pin xem có bằng với điện

áp trên tấm định mức hay không. Luôn chắc chắn rằng điện áp của bộ sạc tương ứng với điện áp dụng cụ của mình.



Bộ sạc STANLEY của bạn đã được cách điện kép theo tiêu chuẩn EN 60335; do vậy không cần dây nối đất.

Nếu dây cáp điện bị hỏng, phải thay bằng dây mới được cung cấp riêng tại cơ sở bảo dưỡng của STANLEY.

Sử dụng dây nối dài

Không nên sử dụng dây điện nối dài trừ trường hợp thực sự cần thiết. Sử dụng dây nối dài được chấp thuận - phù hợp với dòng điện đầu vào của bộ sạc (xem **Thông số kỹ thuật**). Kích cỡ tối thiểu cho phần dẫn điện là 1 mm²; chiều dài tối đa là 30 m.

Khi sử dụng tang dây, luôn trải hết dây ra.

Lắp ráp và điều chỉnh



CẢNH BÁO: Luôn tháo pin trước khi lắp ráp và điều chỉnh. Luôn ngắt điện dụng cụ trước khi lắp hoặc tháo pin.



CẢNH BÁO: Chỉ sử dụng pin và sạc của hãng STANLEY.

Tháo và lắp

pin ra khỏi dụng cụ (hình 2)



CẢNH BÁO: Để giảm nguy cơ chấn thương cá nhân nghiêm trọng, chuyên nút thuận/ngịch vào vị trí tắt hoặc tắt máy và tháo pin trước khi thực hiện bất kỳ điều chỉnh nào hoặc tháo/lắp các đồ gá hoặc phụ kiện. Việc bất ngờ khởi động cũng có thể gây chấn thương.

LƯU Ý: Đảm bảo pin (f) đã được sạc đầy.

ĐỂ LẮP PIN VÀO TAY CẦM CỦA DỤNG CỤ

1. Đặt pin vào các rãnh bên trong tay cầm.
2. Trượt pin chắc chắn vào đúng vị trí cho đến khi nghe thấy khóa phát ra tiếng tách.

ĐỂ THÁO PIN RA KHỎI DỤNG CỤ

1. Nhấn nút nhả (g) rồi kéo pin một cách dứt khoát ra khỏi tay cầm dụng cụ.
2. Lắp pin vào bộ sạc theo đúng mô tả trong phần về bộ sạc của cuốn hướng dẫn này.

Công tắc khởi động tốc độ biến thiên (hình 1)

Để bật dụng cụ lên, ấn công tắc khởi động tốc độ biến thiên (a). Để tắt dụng cụ, nhả công tắc khởi động tốc độ biến thiên.

Công tắc khởi động cho phép bạn khởi động dụng cụ ở tốc độ thấp. Bạn càng ấn mạnh công tắc khởi động, dụng cụ vận hành càng nhanh.



CẢNH BÁO: Không có phương pháp khác để khóa công tắc khởi động vào vị trí on trên dụng cụ này và không được dùng các vật dụng khác để khóa công tắc khởi động vào vị trí on.

NÚT KHÓA

Máy cửa của bạn được trang bị nút khóa (b). Để khóa công tắc khởi động (a), ấn nút khóa như minh họa trong hình 3. Khi nút khóa được ấn lại đến biểu tượng khóa, dụng cụ đã được khóa. Luôn khóa công tắc khởi động khi di chuyển hoặc cất giữ dụng cụ để loại bỏ tình trạng khởi động không mong muốn.

LƯU Ý: Chúng tôi khuyên bạn nên sử dụng tốc độ chậm lúc bắt đầu cắt. Sử dụng cửa ở tốc độ rất chậm trong thời gian dài có thể làm hỏng cửa.

Hoạt động

HƯỚNG DẪN SỬ DỤNG



CẢNH BÁO: Luôn tuân theo các hướng dẫn dẫn và quy tắc hiện hành về an toàn.



CẢNH BÁO: Để giảm nguy cơ chấn thương cá nhân nghiêm trọng, đưa nút khóa vào vị trí khóa hoặc tắt máy và tháo pin trước khi thực hiện bất kỳ điều chỉnh nào hoặc tháo/lắp các đồ gá hoặc phụ kiện. Việc bắt ngờ khởi động cũng có thể gây chấn thương.

VỊ TRÍ TAY PHÙ HỢP (HÌNH 1, 4)



CẢNH BÁO: Để giảm nguy cơ chấn thương cá nhân nghiêm trọng, **LUÔN** để tay ở vị trí phù hợp như hình vẽ.



CẢNH BÁO: Để giảm nguy cơ chấn thương cá nhân nghiêm trọng, **LUÔN** giữ chặt tay để tránh trường hợp bị giật lại đột ngột.

Vị trí tay phù hợp yêu cầu một tay đặt lên tay cầm bên (e), còn tay kia đặt lên tay cầm chính (d). Hướng của tay phụ thuộc vào thói quen của người dùng.

THÁO VÀ LẮP LƯỚI CỬA (HÌNH 8)



CẢNH BÁO: Để giảm nguy cơ chấn thương cá nhân nghiêm trọng, đưa nút khóa vào vị trí khóa hoặc tắt máy và tháo pin trước khi thực hiện bất kỳ điều chỉnh nào hoặc tháo/lắp các đồ gá hoặc phụ kiện. Việc bắt ngờ khởi động cũng có thể gây chấn thương.

Có sẵn lưới cửa chiều dài khác nhau. Sử dụng lưới cửa phù hợp với dụng cụ. Lưới cửa phải dài hơn 3-1/2" (89 mm) và phải di chuyển tự do bên trong chân đế và cửa qua độ dày của phôi gia công trong quá trình cửa. Nên sử dụng lưới cửa A 4" (102 mm) để có hiệu quả tốt nhất. Không sử dụng lưới cửa xoi với dụng cụ này.



CẢNH BÁO: Nguy cơ bị lưới cửa cửa phải. Lưới cửa có thể bị vỡ nếu không chuyển động tự do bên trong chân đế và cửa qua phôi gia công trong quá trình cửa (hình 6). Điều này có thể làm tăng nguy cơ chấn thương cá nhân cũng như hỏng hóc chân đế và phôi gia công.

CÁCH LẮP LƯỚI CỬA VÀO MÁY CỬA (HÌNH 8)

1. Kéo cần nhả kẹp lưới cửa (g) lên trên.
2. Lắp cán của lưới cửa vào kẹp lưới cửa (f, hình 8).
3. Đóng cần nhả kẹp lưới cửa.
4. Lưu ý rằng phải lắp lưới cửa theo chiều từ trên xuống để hỗ trợ cắt phẳng (tham khảo hình 8b).

CÁCH THÁO LƯỚI CỬA KHỎI CỬA (HÌNH 8a, 8b)



THẬN TRỌNG: Nguy cơ gây bỏng. Không được chạm vào lưới cửa ngay sau khi sử dụng. Tiếp xúc với lưới cửa có thể gây chấn thương cá nhân.

1. Kéo cần nhả kẹp lưới cửa (g) lên trên.
2. Tháo lưới cửa.

Cắt (hình 6, 7, 9)



CẢNH BÁO: Luôn sử dụng kính bảo hộ. Người vận hành và những người khác phải đeo kính bảo hộ tuân thủ ANSI Z87.1.



CẢNH BÁO: Thao tác cẩn thận khi cắt về phía người vận hành. Luôn cầm chắc máy cửa bằng cả hai tay khi cửa.

Trước khi cửa bất kỳ loại vật liệu này, hãy đảm bảo cố định hoặc kẹp chặt để vật liệu không bị trượt. Nhẹ nhàng đặt lưới cửa vào phôi gia công cần cửa, bật động cơ máy cửa trước khi tác dụng lực để lưới

cưa đạt đến tốc độ tối đa. Luôn ấn chắc chắn chân đế máy cưa vào vật liệu được cưa trong trường hợp có thể. Việc này sẽ ngăn máy cưa nảy hoặc rung đồng thời giảm thiểu khả năng vỡ lưỡi cưa. Bất kỳ thao tác cắt nào tạo áp suất trên lưỡi cưa như cưa góc hoặc cuộn sẽ làm tăng khả năng rung, kéo ngược lại và vỡ lưỡi cưa.



CẢNH BÁO: Thận trọng hơn khi cắt ở trên cao và đặc biệt chú ý đến dây điện ở trên cao, bạn có thể không nhìn thấy những vật này. Dự đoán trước hướng rơi của cành cây và các mảnh vụn.



CẢNH BÁO: Kiểm tra khu vực làm việc xem có dây điện, đường ống khí ga hoặc nước ngầm không trước khi cưa chìm hoặc cưa khuấy. Nếu không kiểm tra kỹ có thể gây nổ, hỏng tài sản, giật điện và/hoặc chấn thương cá nhân nghiêm trọng.

CẮT KIỂU RÃNH/CHÌM - CHỈ ĐỐI VỚI GỖ (HÌNH 7)

Bước đầu tiên khi cưa chìm là đo diện tích bề mặt cần cưa và đánh dấu rõ ràng bằng bút chì, phấn hoặc mũi nhọn. Sử dụng lưỡi cưa phù hợp với dụng cụ. Lưỡi cưa phải dài hơn 3-1/2" (89 mm) và phải di chuyển tự do bên trong chân đế và cưa qua độ dày của phôi gia công trong quá trình cưa. Nên sử dụng lưỡi cưa A 4" (102 mm) để có hiệu quả tốt nhất. Lắp lưỡi cưa vào kẹp lưỡi cưa.

Tiếp theo, đưa máy cưa về phía sau cho đến khi cạnh dưới của chân đế nằm trên bề mặt phôi và lưỡi cưa chạm vào bề mặt phôi. Sau đó, ấn công tắc khởi động và để máy cưa tăng tốc.

Nắm chắc máy cưa bằng cả hai tay và bắt đầu từ từ nâng tay cầm chính của máy cưa lên, giữ chân đế tiếp xúc chắc chắn với phôi gia công. Lưỡi cưa sẽ bắt đầu cưa vào vật liệu.

Luôn đảm bảo rằng lưỡi cưa cưa qua vật liệu hoàn toàn trước khi tiếp tục cưa tạo hốc.

LƯU Ý: Ở những nơi khó quan sát lưỡi cưa, hãy sử dụng cạnh của chân đế làm cơ sở. Các đường cưa cho trước bất kỳ phải ở bên ngoài mép của đường cần cưa.

CƯA KIM LOẠI (HÌNH 9)

Máy cưa của bạn có khả năng cưa kim loại khác nhau tùy thuộc vào loại lưỡi cưa đang dùng và kim loại cần cắt. Dùng lưỡi cưa có răng sắc hơn cho kim loại đen và lưỡi cưa thô cho kim loại màu. Khi cưa kim loại tấm mỏng, tốt nhất là kẹp gỗ vào cả hai mặt của tấm kim loại. Điều này sẽ đảm bảo tạo ra đường cắt thẳng mà không gây rung quá mức hoặc rách kim loại. Luôn nhớ tránh ấn mạnh lưỡi

cưa vì điều này làm giảm tuổi thọ của lưỡi cưa và gây ra hiện tượng vỡ lưỡi cưa tổn kém.

LƯU Ý: Thông thường, khi cắt kim loại, bạn cần bôi một lớp dầu mỏng hoặc chất làm mát khác dọc theo đường cưa để thực hiện dễ dàng hơn và kéo dài tuổi thọ của lưỡi cưa.

SCR121 có thể chấp nhận tất cả độ dài của lưỡi cưa kiếm. Để đạt được hiệu quả cao nhất, hãy sử dụng lưỡi cưa 4" (102 mm). Đảm bảo lưỡi cưa phải di chuyển tự do bên trong chân đế và cưa qua độ dày của phôi gia công trong quá trình cưa. Hãy sử dụng lưỡi cưa dài hơn nếu cần. Luôn ấn chắc chắn chân đế máy cưa vào vật liệu được cưa trong trường hợp có thể. Việc này sẽ ngăn máy cưa nảy hoặc rung đồng thời giảm thiểu khả năng vỡ lưỡi cưa.

Bảo trì

Dụng cụ điện cầm tay của STANLEY được thiết kế để vận hành trong thời gian dài và ít phải bảo trì nhất. Dụng cụ vận hành liên tục theo ý muốn tùy thuộc vào việc bảo quản dụng cụ đúng cách và vệ sinh thường xuyên.



CẢNH BÁO: Để giảm nguy cơ chấn thương cá nhân nghiêm trọng, chuyên nút thuận/ngịch vào vị trí tắt hoặc tắt máy và tháo pin trước khi thực hiện bất kỳ điều chỉnh nào hoặc tháo/lắp các đồ gá hoặc phụ kiện. Việc bắt ngờ khởi động cũng có thể gây chấn thương.

Không được tự ý bảo trì bộ sạc và pin. Không được tự ý bảo trì bất kỳ bộ phận bên trong nào.



Tra dầu

Dụng cụ điện cầm tay này không cần tra thêm dầu.



Vệ sinh



CẢNH BÁO: Thường xuyên thổi bụi bẩn khỏi vỏ dụng cụ khi thấy bám bụi xung quanh các khe thông gió. Đeo kính bảo hộ và mặt nạ chống bụi được phê duyệt khi thực hiện quy trình này.



CẢNH BÁO: Tuyệt đối không sử dụng các dung môi và hóa chất mạnh để vệ

sinh các bộ phận không làm bằng kim loại của dụng cụ. Các hóa chất này có thể làm tổn hại đến các nguyên vật liệu sử dụng trong các bộ phận này. Chỉ sử dụng khăn được làm ẩm bằng nước và xà phòng có tính tẩy nhẹ. Tuyệt đối không để chất lỏng lọt vào bên trong dụng cụ; không được ngâm các bộ phận của dụng cụ vào chất lỏng.



Pin có thể sạc lại

Để pin có tuổi thọ lâu, hãy sạc pin khi pin không tạo đủ điện để thực hiện các tác vụ giống như trước. Nếu tuổi thọ về mặt kỹ thuật của pin đã hết, phải thải bỏ pin cẩn thận để bảo vệ môi trường:

- Xả hết pin, sau đó tháo pin ra khỏi dụng cụ.
- Pin Li-Ion là pin có thể tái chế. Hãy mang chúng đến trạm tái chế tại địa phương. Pin được thu gom sẽ được tái chế hoặc thải bỏ đúng cách.

LƯU Ý

Chính sách của Stanley không ngừng cải thiện với các sản phẩm và do đó, chúng tôi có quyền thay đổi thông số kỹ thuật sản phẩm mà không cần báo trước.

- Các thiết bị và phụ kiện chuẩn có thể khác nhau tùy theo từng quốc gia.
- Thông số kỹ thuật sản phẩm có thể thay đổi giữa các quốc gia.
- Danh mục sản phẩm hoàn chỉnh có thể không có mặt tại tất cả các quốc gia. Liên hệ với các đại lý của Stanley tại quốc gia bạn để được cung cấp danh mục sản phẩm.

HƯỚNG DẪN VỆ SINH BỘ SẠC



CẢNH BÁO: Nguy cơ điện giật. Ngắt kết nối bộ sạc khỏi ổ cắm điện xoay chiều trước khi thực hiện công tác vệ sinh. Bụi và dầu có thể được loại bỏ khỏi vỏ ngoài của bộ sạc bằng cách sử dụng vải hoặc bàn chải mềm phi kim. Không sử dụng nước hoặc bất kỳ dung dịch tẩy rửa nào.

Phụ kiện tùy chọn



CẢNH BÁO: Vì các phụ kiện, ngoài các phụ kiện do STANLEY CUNG CẤP, chưa được kiểm tra với sản phẩm này nên việc sử dụng chúng cùng với dụng cụ này có thể gây nguy hiểm. Để giảm nguy cơ chấn thương, chỉ được sử dụng các phụ kiện do STANLEY khuyến nghị cho sản phẩm này.

Hỏi ý kiến đại lý bán để biết thêm thông tin về các phụ kiện phù hợp.

Bảo vệ môi trường



Thu gom riêng. Không được vứt bỏ sản phẩm này với rác thải sinh hoạt thông thường.

Nếu sản phẩm STANLEY của bạn cần phải thay thế, hoặc bạn không sử dụng nó trong tương lai nữa, không vứt bỏ sản phẩm này cùng với rác thải gia đình. Sản phẩm phải được thu gom riêng.



Thu gom riêng sản phẩm và bao bì đóng gói đã qua sử dụng sẽ cho phép tái chế và tái sử dụng vật liệu. Tái sử dụng vật liệu tái chế giúp ngăn chặn ô nhiễm môi trường và giảm nhu cầu vật liệu thô.

Luật lệ địa phương có thể quy định việc thu gom riêng các sản phẩm điện gia dụng, tại các bãi rác thải đô thị hoặc bởi những người bán lẻ khi bạn mua sản phẩm mới.

