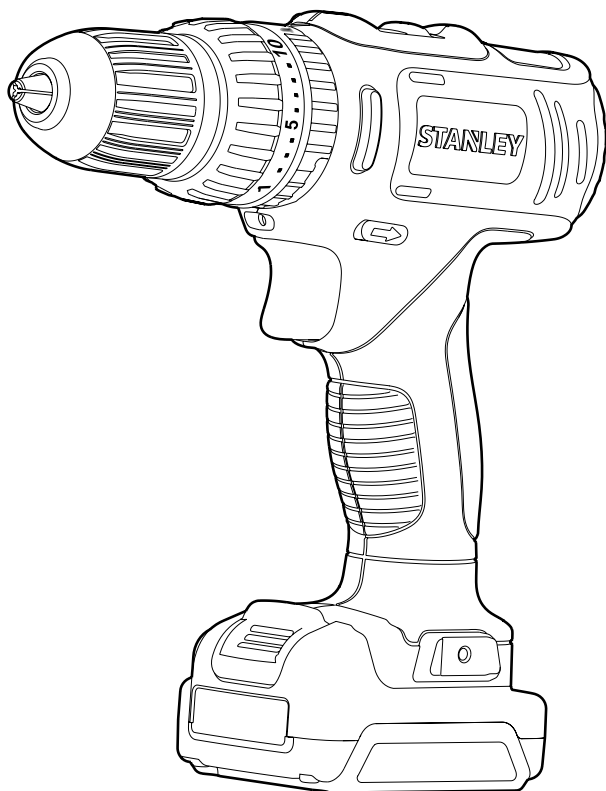


# STANLEY



SCH12

English (Original Instruction)	4
简体中文	14
繁體中文	23
BAHASA INDONESIA	32
ภาษาไทย	44
TIẾNG VIỆT	55

Figure 1

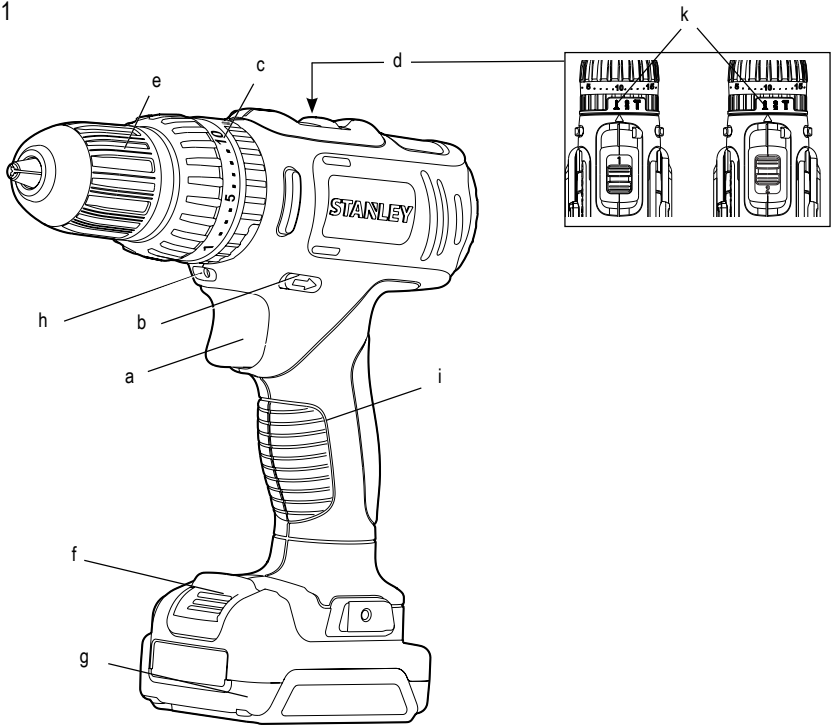


Figure 2

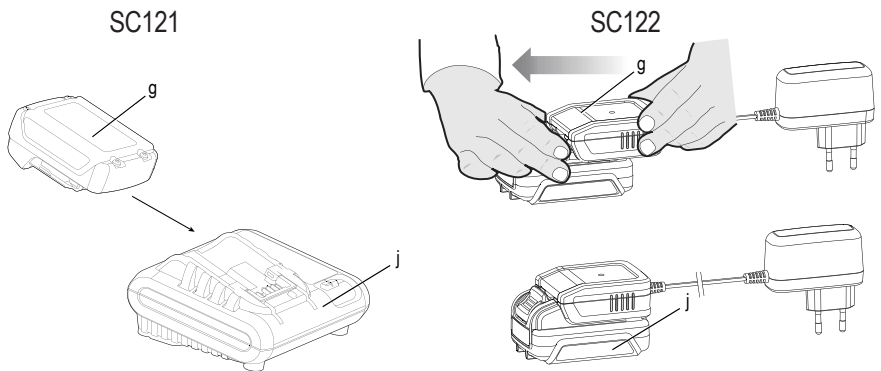


Figure 3

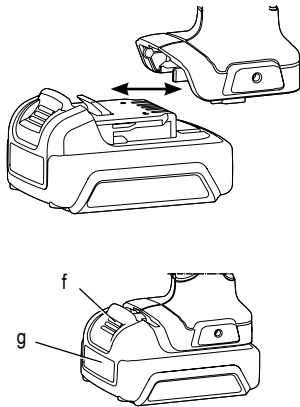


Figure 4

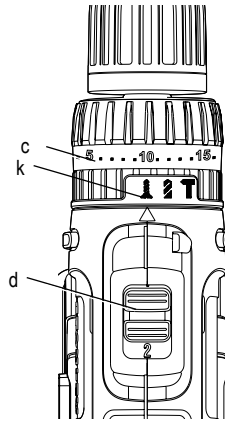


Figure 5

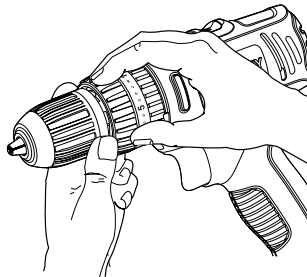


Figure 6

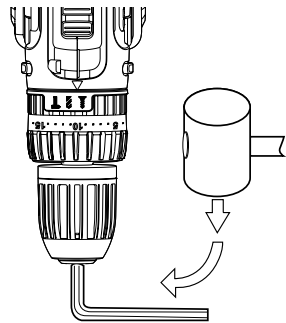


Figure 7

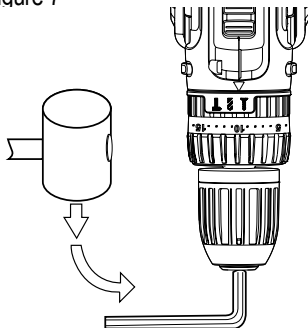
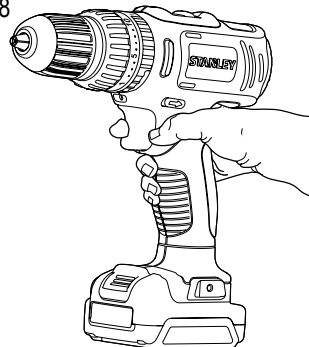


Figure 8



## INTENDED USE

Your Stanley SCH12 12V Max Li-Ion Hammer Drill has been designed for light fastening, drilling in wood/metal/brickwork, and screwdriving applications.

## SAFETY INSTRUCTIONS

### General Power Tool Safety Warnings



**WARNING!** Read all safety warnings and instructions. Failure to follow the warnings and instructions may result in electric shock, fire and/or serious injury.

#### SAVE ALL WARNINGS AND INSTRUCTIONS FOR FUTURE REFERENCE.

The term "power tool" in the warnings refers to your mains-operated (corded) power tool or battery-operated (cordless) power tool.

#### 1. Work area safety

- a. **Keep work area clean and well lit.** Cluttered or dark areas invite accidents.
- b. **Do not operate power tools in explosive atmospheres, such as in the presence of flammable liquids, gases or dust.** Power tools create sparks which may ignite the dust or fumes.
- c. **Keep children and bystanders away while operating a power tool.** Distractions can cause you to lose control.

#### 2. Electrical safety

- a. **Power tool plugs must match the outlet. Never modify the plug in any way. Do not use any adapter plugs with earthed (grounded) power tools.** Unmodified plugs and matching outlets will reduce risk of electric shock.
- b. **Avoid body contact with earthed or grounded surfaces such as pipes, radiators, ranges and refrigerators.** There is an increased risk of electric shock if your body is earthed or grounded.
- c. **Do not expose power tools to rain or wet conditions.** Water entering a power tool will increase the risk of electric shock.
- d. **Do not abuse the cord. Never use the cord for carrying, pulling or unplugging the power tool. Keep cord away from heat, oil, sharp edges or moving parts.** Damaged or entangled cords increase the risk of electric shock.
- e. **When operating a power tool outdoors, use an**

**extension cord suitable for outdoor use.** Use of a cord suitable for outdoor use reduces the risk of electric shock.

- f. **If operating a power tool in a damp location is unavoidable, use a residual current device (RCD) protected supply.** Use of an RCD reduces the risk of electric shock.
- #### 3. Personal safety
- a. **Stay alert, watch what you are doing and use common sense when operating a power tool. Do not use a power tool while you are tired or under the influence of drugs, alcohol or medication.** A moment of inattention while operating power tools may result in serious personal injury.
  - b. **Use personal protective equipment. Always wear eye protection.** Protective equipment such as dust mask, non-skid safety shoes, hard hat, or hearing protection used for appropriate conditions will reduce personal injuries.
  - c. **Prevent unintentional starting. Ensure the switch is in the off-position before connecting to power source and/or battery pack, picking up or carrying the tool.** Carrying power tools with your finger on the switch or energising power tools that have the switch on invites accidents.
  - d. **Remove any adjusting key or wrench before turning the power tool on.** A wrench or a key left attached to a rotating part of the power tool may result in personal injury.
  - e. **Do not overreach. Keep proper footing and balance at all times.** This enables better control of the power tool in unexpected situations.
  - f. **Dress properly. Do not wear loose clothing or jewellery. Keep your hair, clothing and gloves away from moving parts.** Loose clothes, jewellery or long hair can be caught in moving parts.
  - g. **If devices are provided for the connection of dust extraction and collection facilities, ensure these are connected and properly used.** Use of dust collection can reduce dust-related hazards.
- #### 4. Power tool use and care
- a. **Do not force the power tool. Use the correct power tool for your application.** The correct power tool will do the job better and safer at the rate for which it was designed.
  - b. **Do not use the power tool if the switch does not turn it on and off.** Any power tool that cannot be controlled with the switch is dangerous and must be repaired.
  - c. **Disconnect the plug from the power source and/or**

the battery pack from the power tool before making any adjustments, changing accessories, or storing power tools. Such preventive safety measures reduce the risk of starting the power tool accidentally.

- d. **Store idle power tools out of the reach of children and do not allow persons unfamiliar with the power tool or these instructions to operate the power tool.** Power tools are dangerous in the hands of untrained users.
- e. **Maintain power tools. Check for misalignment or binding of moving parts, breakage of parts and any other condition that may affect the power tools operation. If damaged, have the power tool repaired before use.** Many accidents are caused by poorly maintained power tools.
- f. **Keep cutting tools sharp and clean.** Properly maintained cutting tools with sharp cutting edges are less likely to bind and are easier to control.
- g. **Use the power tool, accessories and tool bits etc. in accordance with these instructions, taking into account the working conditions and the work to be performed.** Use of the power tool for operations different from those intended could result in a hazardous situation.

#### 5. Battery tool use and care

- a. **Recharge only with the charger specified by the manufacturer.** A charger A charger that is suitable for one type of battery pack may create a risk of fire when used with another battery pack.
- b. **Use power tools only with specifically designated battery packs.** Use of any other battery packs may create a risk of injury and fire.
- c. **When battery pack is not in use, keep it away from other metal objects like paper clips, coins, keys, nails, screws or other small metal objects that can make a connection from one terminal to another.** Shorting the battery terminals together may cause burns or a fire.
- d. **Under abusive conditions, liquid may be ejected from the battery, avoid contact. If contact accidentally occurs, flush with water. If liquid contacts eyes, additionally seek medical help.** Liquid ejected from the battery may cause irritation or burns.

#### 6. Service

- a. **Have your power tool serviced by a qualified repair person using only identical replacement parts.** This will ensure that the safety of the power tool is maintained.

## ADDITIONAL SPECIFIC SAFETY RULES

- **Wear ear protectors when impact drilling.** Exposure to noise can cause hearing loss.
- **Use auxiliary handle(s), if supplied with the tool.** Loss of control can cause personal injury.
- **Hold power tool by insulated gripping surfaces when performing an operation where the cutting accessory may contact hidden wiring.** Cutting accessory contacting a "live" wire may make exposed metal parts of the power tool "live" and could give the operator an electric shock.

## RESIDUAL RISKS

In spite of the application of the relevant safety regulations and the implementation of safety devices, certain residual risks cannot be avoided.

These are:

- Impairment of hearing.
- Risk of personal injury due to flying particles.
- Risk of burns due to accessories becoming hot during operation.
- Risk of personal injury due to prolonged use.

## LABELS ON TOOL

The label on your tool may include the following symbols:



**WARNING!** To reduce the risk of injury, the user must read the instruction manual.

## POSITION OF DATE CODE

The Date Code, which also includes the year of manufacture, is printed into the housing.

Example :

2015 XX JN  
Year of manufacturing

## IMPORTANT SAFETY INSTRUCTIONS FOR ALL BATTERY CHARGERS

**SAVE THESE INSTRUCTIONS:** This manual contains important safety and operating instructions for the SC122(SC121) battery chargers.

- Before using charger, read all instructions and cautionary markings on charger, battery pack, and product using battery pack.



**WARNING:** Shock hazard. Do not allow any liquid to get inside charger. Electric shock may result.



**CAUTION:** Burn hazard. To reduce the risk of injury, charge only STANLEY rechargeable batteries. Other types of batteries may burst causing personal injury and damage.



**CAUTION:** Children should be supervised to ensure that they do not play with the appliance.

**NOTICE:** Under certain conditions, with the charger plugged in to the power supply, the charger can be shorted by foreign material. Foreign materials of a conductive nature such as, but not limited to, grinding dust, metal chips, steel wool, aluminum foil, or any buildup of metallic particles should be kept away from charger cavities. Always unplug the charger from the power supply when there is no battery pack in the cavity. Unplug charger before attempting to clean.

- **DO NOT attempt to charge the battery pack with any chargers other than the ones in this manual.** The charger and battery pack are specifically designed to work together.
- **These chargers are not intended for any uses other than charging STANLEY rechargeable batteries.** Any other uses may result in risk of fire, electric shock or electrocution.
- **Do not expose charger to rain or snow.**
- **Pull by plug rather than cord when disconnecting charger.** This will reduce risk of damage to electric plug and cord.
- **Make sure that cord is located so that it will not be stepped on, tripped over, or otherwise subjected to damage or stress.**
- **Do not use an extension cord unless it is absolutely necessary.** Use of improper extension cord could result in risk of fire, electric shock, or electrocution.
- **Do not place any object on top of charger or place the charger on a soft surface that might block the ventilation slots and result in excessive internal heat.** Place the charger in a position away from any heat source. The charger is ventilated through slots in the top and the bottom of the housing.
- **Do not operate charger with damaged cord or plug** — have them replaced immediately.
- **Do not operate charger if it has received a sharp blow, been dropped, or otherwise damaged in any way.** Take it to an authorised service centre.
- **Do not disassemble charger; take it to an authorised service centre when service or repair is required.** Incorrect reassembly may result in a risk of electric shock, electrocution or fire.

- In case of damaged power supply cord the supply cord must be replaced immediately by the manufacturer, its service agent or similar qualified person to prevent any hazard.
- **Disconnect the charger from the outlet before attempting any cleaning. This will reduce the risk of electric shock.** Removing the battery pack will not reduce this risk.
- **NEVER** attempt to connect 2 chargers together.
- **The charger is designed to operate on standard household electrical power. Do not attempt to use it on any other voltage.** This does not apply to the vehicular charger.

## SAVE THESE INSTRUCTIONS

### Chargers

The SC122(SC121) chargers accept 12V Max Li-Ion batteries.

These chargers require no adjustment and are designed to be as easy as possible to operate.

### Charging Procedure (fig. 2)

1. Plug the charger (j) into an appropriate outlet before inserting battery pack.
2. Insert the battery pack (g) into the charger. The charging light will blink continuously indicating that the charging process has started.
3. The completion of charge will be indicated by the charging light remaining ON continuously. The pack is fully charged and may be used at this time or left in the charger.

**NOTE:** To ensure maximum performance and life of Li-Ion batteries, charge the battery pack fully before first use.

### Charging Process

Refer the table below for the state of charge of the battery pack.

State of charge		SC122
charging	— — — — —	green blink
fully charged	—————	green light
hot battery	— — —	red blink
defect battery	•••••	red flash

### HOT/COLD PACK DELAY

The SC122(SC121) charger have a hot/cold delay feature.

When the charger detects a battery that is hot, it automatically delays charging until the battery has cooled.

When the charger detects a battery that is cold, it automatically delays charging until the battery has warmed.

The red light will continue to blink and can't start to charging procedure. Once the battery has cooled, the charger will resume the charging procedure.

### LI-ION BATTERY PACKS ONLY

Li-Ion batteries are designed with an Electronic Protection System that will protect the battery against overloading, overheating or deep discharge.

The tool will automatically turn off if the Electronic Protection System engages. If this occurs, place the Li-Ion battery on the charger until it is fully charged.

## Important Safety Instructions for All Battery Packs

When ordering replacement battery packs, be sure to include catalog number and voltage.

The battery pack is not fully charged out of the carton. Before using the battery pack and charger, read the safety instructions below. Then follow charging procedures outlined.

### READ ALL INSTRUCTIONS

- **Do not charge or use battery in explosive atmospheres, such as in the presence of flammable liquids, gases or dust.** Inserting or removing the battery from the charger may ignite the dust or fumes.
- **Never force battery pack into charger. Do not modify battery pack in any way to fit into a non-compatible charger as battery pack may rupture causing serious personal injury.**
- Charge the battery packs only in STANLEY chargers.
- **DO NOT** splash or immerse in water or other liquids.
- **Do not store or use the tool and battery pack in locations where the temperature may reach or exceed 40 °C (105 °F) (such as outside sheds or metal buildings in summer).**



**WARNING:** Never attempt to open the battery pack for any reason. If battery pack case is cracked or damaged, do not insert into charger. Do not crush, drop or damage battery pack. Do not use a battery pack or charger that has received a sharp blow, been dropped, run over or damaged in any way (i.e., pierced with a nail, hit with a hammer, stepped on). Electric shock or electrocution may result. Damaged battery packs should be returned to service centre for recycling.



**CAUTION:** When not in use, place tool on its side on a stable surface where it will not cause a tripping or falling hazard. Some tools with large battery packs will stand upright on the battery pack but may be easily knocked over.

### SPECIFIC SAFETY INSTRUCTIONS FOR LITHIUM ION (Li-Ion)

- **Do not incinerate the battery pack even if it is severely damaged or is completely worn out.** The battery pack can explode in a fire. Toxic fumes and materials are created when lithium ion battery packs are burned.
- **If battery contents come into contact with the skin, immediately wash area with mild soap and water.** If battery liquid gets into the eye, rinse water over the open eye for 15 minutes or until irritation ceases. If medical attention is needed, the battery electrolyte is composed of a mixture of liquid organic carbonates and lithium salts.
- **Contents of opened battery cells may cause respiratory irritation.** Provide fresh air. If symptoms persists, seek medical attention.



**WARNING:** Burn hazard. Battery liquid may be flammable if exposed to spark or flame.

### TRANSPORTATION

STANLEY batteries comply with all applicable shipping regulations as prescribed by industry and legal standards which include UN Recommendations on the Transport of Dangerous Goods; International Air Transport Association (IATA) Dangerous Goods Regulations, International Maritime Dangerous Goods (IMDG) Regulations, and the European Agreement Concerning The International Carriage of Dangerous Goods by Road (ADR). Lithium-ion cells and batteries have been tested to section 38.3 of the UN Recommendations on the Transport of Dangerous Goods Manual of Tests and Criteria.

In most instances, shipping a STANLEY battery pack will be excepted from being classified as a fully regulated Class 9 Hazardous material. In general, the two instances that require shipping Class 9 are:

1. Air shipping more than two STANLEY lithium-ion battery packs when the package contains only battery packs (no tools), and
2. Any shipment containing a lithium-ion battery with an energy rating greater than 100 watt hours (Wh). All

lithium-ion batteries have the watt hour rating marked on the pack.

Regardless of whether a shipment is considered excepted or fully regulated, it is the shipper's responsibility to consult the latest regulations for packaging, labeling/marketing and documentation requirements.

Transporting batteries can possibly cause fire if the battery terminals inadvertently come in contact with conductive materials. When transporting batteries, make sure that the battery terminals are protected and well insulated from materials that could contact them and cause a short circuit.

The information provided in this section of the manual is provided in good faith and believed to be accurate at the time the document was created. However, no warranty, expressed or implied, is given. It is the buyer's responsibility to ensure that its activities comply with the applicable regulations.

## Battery Pack

### BATTERY TYPE

The SCH12 operates on a 12V Max battery pack.

### STORAGE RECOMMENDATIONS

1. The best storage place is one that is cool and dry away from direct sunlight and excess heat or cold. For optimum battery performance and life, store battery packs at room temperature when not in use.
2. For long storage, it is recommended to store a fully charged battery pack in a cool, dry place out of the charger for optimal results.

**NOTE:** Battery packs should not be stored completely depleted of charge. The battery pack will need to be recharged before use.

## Labels on Charger and Battery Pack

In addition to the pictographs used in this manual, the labels on the charger and the battery pack may show the following pictographs:



Read instruction manual before use.



See **Technical Data** for charging time.



Battery charging.



Battery charged.



Battery defective.



Hot/cold pack delay.



Do not probe with conductive objects.



Do not charge damaged battery packs.



Do not expose to water.



Have defective cords replaced immediately.



Charge only between 4 °C and 40 °C.



Only for indoor use.



Discard the battery pack with due care for the environment.



Charge STANLEY battery packs only with designated STANLEY chargers. Charging battery packs other than the designated STANLEY batteries with a STANLEY charger may make them burst or lead to other dangerous situations.



Do not incinerate the battery pack.

### PACKAGE CONTENTS

The package contains:

- 1 Hammer drill/driver
- 1 Charger
- 2 Batteries (S2) or 1 Battery (S1)
- 1 Instruction manual

**NOTE:** Battery packs and chargers are not included with N-models.

- Check for damage to the tool, parts or accessories which may have occurred during transport.
- Take the time to thoroughly read and understand this manual prior to operation.

### DESCRIPTION (FIG. 1)





**WARNING:** Never modify the power tool or any part of it. Damage or personal injury could result.

- a. Variable speed trigger switch
- b. Forward/reverse button
- c. Torque adjustment collar
- d. Gear shifter
- e. Keyless chuck
- f. Battery release button
- g. Battery pack
- h. Worklight
- k. Function collar

## ELECTRICAL SAFETY

The electric motor has been designed for one voltage only. Always check that the battery pack voltage corresponds to the voltage on the rating plate. Also make sure that the voltage of your charger corresponds to that of your mains.



Your STANLEY charger is double insulated in accordance with EN 60335; therefore no earth wire is required.

If the supply cord is damaged, it must be replaced by a specially prepared cord available through the STANLEY service organisation.

## Using an Extension Cable

An extension cord should not be used unless absolutely necessary. Use an approved extension cable suitable for the power input of your charger (see **Technical Data**). The minimum conductor size is 1 mm<sup>2</sup>; the maximum length is 30 m.

When using a cable reel, always unwind the cable completely.

## Assembly and adjustments



**WARNING:** Prior to assembly and adjustment, always remove the battery pack. Always switch off the tool before inserting or removing the battery pack.



**WARNING:** Use only STANLEY battery packs and chargers.

## Inserting and Removing the Battery Pack from the Tool (fig. 3)



**WARNING:** To reduce the risk of serious personal injury, place the forward/reverse button in the lock-off position or turn tool

off and disconnect battery pack before making any adjustments or removing/installing attachments or accessories. An accidental start-up can cause injury.

**NOTE:** Make sure your battery pack (g) is fully charged.

### TO INSTALL THE BATTERY PACK INTO THE TOOL HANDLE

1. Align the battery pack with the rails inside the handle.
2. Slide it firmly into place until you hear the lock snap into place.

### TO REMOVE THE BATTERY PACK FROM THE TOOL

1. Press the release button (f) and firmly pull the battery pack out of the tool handle.
2. Insert battery pack into the charger as described in the charger section of this manual.

## OPERATION

### Instructions for Use



**WARNING:** Always observe the safety instructions and applicable regulations.



**WARNING:** To reduce the risk of serious personal injury, place the forward/reverse button in the lock-off position or turn tool off and disconnect battery pack before making any adjustments or removing/installing attachments or accessories.

### Proper Hand Position (fig. 1, 8)



**WARNING:** To reduce the risk of serious personal injury, **ALWAYS** use proper hand position as shown.



**WARNING:** To reduce the risk of serious personal injury, **ALWAYS** hold securely in anticipation of a sudden reaction.

Proper hand position requires one hand on the main handle (i).

### Variable Speed Trigger Switch (fig. 1)

To turn the tool on, squeeze the trigger switch (a). To turn the tool off, release the trigger switch. Your tool is equipped with a brake. The chuck will stop when the trigger switch is fully released.

The variable speed switch enables you to select the best speed for a particular application. The further you squeeze

the trigger, the faster the tool will operate. For maximum tool life, use variable speed only for starting holes or fasteners

**NOTE:** Continuous use in variable speed range is not recommended. It may damage the switch and should be avoided.

## Forward/Reverse Control Button (fig. 1)

A forward/reverse control button (b) determines the direction of the tool and also serves as a lock-off button.

To select forward rotation, release the trigger switch and depress the forward/reverse control button on the right side of the tool.

To select reverse, depress the forward/reverse control button on the left side of the tool. The center position of the control button locks the tool in the off position. When changing the position of the control button, be sure the trigger is released.

**NOTE:** The first time the tool is run after changing the direction of rotation, you may hear a click on start up. This is normal and does not indicate a problem.

## Worklight (fig. 1)

There is a worklight (h) located under the torque adjustment collar (c). The worklight will be activated when the trigger switch is squeezed.

**NOTE:** The worklight is for lighting the immediate work surface and is not intended to be used as a flashlight.

## Torque Adjustment Collar (fig. 1)

Turn (k) to screw symbol. The torque adjustment collar (c) is clearly marked with numbers and a drill bit symbol. The collar should be rotated until the desired setting is located at the top of the tool. Locators are provided in the collar to eliminate the guess work when selecting fastening torque. The higher the number on the collar, the higher the torque and the larger the fastener which can be driven. To lock the clutch for drilling operations, move function collar(k) to drill bit position.

**NOTE:** When using the Hammer drill/driver for drilling holes, be sure that the function collar is set so the figure of the drill is aligned with the center line on the top of the tool. Failure to do this will allow the clutch to slip while attempting to drill.

## Dual Range Gearing (fig. 1, 4)

The dual range feature of your driver/drill allows you to shift gears for greater versatility.

To select the low speed, high torque setting, turn the tool off and permit to stop. Slide the gear shifter (d) forward (towards the chuck). To select the high speed, low torque setting, turn the tool off and permit to stop. Slide the gear shifter back (away from chuck).

**NOTE:** Do not change gears when the tool is running. If you are having trouble changing gears, make sure that the dual range gear shifter is either completely pushed forward or completely pushed back.

## Keyless Single Sleeve Chuck (fig. 5)

Your tool features a keyless chuck with one rotating sleeve for one-handed operation of the chuck. To insert a drill bit or other accessory, follow these steps.

1. Lock the trigger in the OFF position as previously described.
2. Grasp the black sleeve of the chuck with one hand and use the other hand to secure the tool. Rotate the sleeve counterclockwise far enough to accept the desired accessory.
3. Insert the accessory about 19 mm (3/4") into the chuck and tighten securely by rotating the chuck sleeve clockwise with one hand while holding the tool with the other. Your tool is equipped with an automatic spindle lock mechanism. This allows you to open and close the chuck with one hand.

To release the accessory, repeat step 2 above.



**WARNING:** Do not attempt to tighten drill bits (or any other accessory) by gripping the front part of the chuck and turning the tool on. Damage to the chuck and personal injury may result. Always lock off trigger switch when changing accessories.

Be sure to tighten chuck with one hand on the chuck sleeve and one hand holding the tool for maximum tightness.

## CHUCK REMOVAL (FIG. 6)

Turn the adjustment collar to the "drill" position and gear shifter to position 1 (low speed). Tighten the chuck around the shorter end of a hex key (not supplied) of 6.35 mm (1/4") or greater size. Using a wooden mallet or similar object, strike the longer end in the clockwise direction, as shown. This will loosen the screw inside the chuck.

Open chuck jaws fully, insert screwdriver (or Torx tool if required) into front of chuck between jaws to engage screw head. Remove screw by turning clockwise (left-hand-thread). Place hex key in chuck and tighten, as shown in Figure 6. Using a wooden mallet or similar object, strike key sharply in the counterclockwise direction. This will loosen the chuck so that it can be unscrewed by hand.

## CHUCK INSTALLATION (FIG. 7)

Screw the chuck on by hand as far as it will go and insert screw (left-hand thread). Tighten screw securely. Tighten the chuck around the shorter end of a 6.35 mm (1/4") or larger hex key (not supplied) strike the longer end in the clockwise

direction with a wooden mallet, as shown. Tighten the screw once again by turning in a counterclockwise direction.

## Drill Operation



**WARNING:** To reduce the risk of serious personal injury, turn tool off and disconnect tool from power source before making any adjustments or removing/installing attachments or accessories.



**WARNING:** To reduce the risk of personal injury, **ALWAYS** ensure workpiece is anchored or clamped firmly. If drilling thin material, use a wood “back-up” block to prevent damage to the material.

Turn the collar to the drill bit symbol for drilling. Select the desired speed/torque range using the gear shifter to match the speed and torque to the planned operation.

1. Use sharp drill bits only. For WOOD, use twist drill bits, spade bits, or hole saws. For METAL, use high-speed steel (HSS) twist drill bits or hole saws.
2. Always apply pressure in a straight line with the bit. Use enough pressure to keep drill biting, but do not push hard enough to stall the motor or deflect the bit.
3. Hold tool firmly with both hands to control the twisting action of the drill.



**WARNING:** The drill may stall if overloaded causing a sudden twist. Always expect the stall. Grip the drill firmly with both hands to control the twisting action and avoid injury.

4. **IF DRILL STALLS**, it is usually because it is being overloaded or improperly used. **RELEASE TRIGGER IMMEDIATELY**, remove drill bit from work, and determine cause of stalling. **DO NOT CLICK TRIGGER ON AND OFF IN AN ATTEMPT TO START A STALLED DRILL — THIS CAN DAMAGE THE DRILL.**
5. To minimize stalling or breaking through the material, reduce pressure on drill and ease the bit through the last fractional part of the hole.
6. Keep the motor running when pulling the bit back out of a drilled hole. This will help prevent jamming.
7. With variable speed drills there is no need to center punch the point to be drilled. Use a slow speed to start the hole and accelerate by squeezing the trigger harder when the hole is deep enough to drill without the bit skipping out.

## Hammerdrill Operation (FIG. 4)

1. Turn the collar (k) to the hammerdrill symbol.

2. Select the high speed setting by sliding the selector forward (towards the chuck). Important: Use carbide-tipped or masonry bits only.
3. Drill with just enough force on the hammer to keep it from bouncing excessively or “rising” off the bit. Too much force will cause slower drilling speeds, overheating and lower drilling rate.
4. Drill straight, keeping the bit at a right angle to the work. Do not exert side pressure on the bit when drilling as this will cause clogging of the bit flutes and a slower drilling speed.
5. When drilling deep holes, if the hammer speed starts to drop off, pull the bit partially out of the hole with tool still running to help clear debris from the hole.

**NOTE:** A smooth, even flow of dust from the hole indicates proper drilling rate.

## Operation as a Screwdriver

Select the desired speed/torque range using the dual range gear shifter on the top of tool to match the speed and torque to the planned operation.

Insert the desired fastener accessory into the chuck as you would any drill bit. Make a few practice runs in scrap or unseen areas to determine the proper position of the clutch collar.

### MAXIMUM RECOMMENDED CAPACITIES

	Low Range-1	High Range-2
Bits, Metal Drilling	6.00 mm	3.00 mm
Wood, Flat Boring	19.00 mm	12.00 mm
Hole Saws	19.00 mm	16.00 mm
Brickwork		6.00 mm

### MAINTENANCE

Your STANLEY power tool has been designed to operate over a long period of time with a minimum of maintenance. Continuous satisfactory operation depends upon proper tool care and regular cleaning.



**WARNING:** To reduce the risk of serious personal injury, place the forward/reverse button in the lock-off position or turn tool off and disconnect battery pack before making any adjustments or removing/installing attachments or accessories. An accidental start-up can cause injury.

The charger and battery pack are not serviceable. There are no serviceable parts inside.



## LUBRICATION

Your power tool requires no additional lubrication.



## CLEANING



**WARNING:** Blow dirt and dust out of the main housing with dry air as often as dirt is seen collecting in and around the air vents. Wear approved eye protection and approved dust mask when performing this procedure.



**WARNING:** Never use solvents or other harsh chemicals for cleaning the non-metallic parts of the tool. These chemicals may weaken the materials used in these parts. Use a cloth dampened only with water and mild soap. Never let any liquid get inside the tool; never immerse any part of the tool into a liquid.

## Charger Cleaning Instructions



**WARNING:** Shock hazard. Disconnect the charger from the AC outlet before cleaning. Dirt and grease may be removed from the exterior of the charger using a cloth or soft non-metallic brush. Do not use water or any cleaning solutions.

## Optional Accessories



**WARNING:** Since accessories, other than those offered by STANLEY, have not been tested with this product, use of such accessories with this tool could be hazardous. To reduce the risk of injury, only STANLEY, recommended accessories should be used with this product.

Consult your dealer for further information on the appropriate accessories.

## PROTECTING THE ENVIRONMENT



Separate collection. This product must not be disposed of with normal household waste.

Should you find one day that your STANLEY product needs replacement, or if it is of no further use to you, do not dispose of it with household waste. Make this product available for separate collection.



Separate collection of used products and packaging allows materials to be recycled and used again. Re-use of recycled materials helps prevent environmental pollution and reduces the demand for raw materials.

Local regulations may provide for separate collection of electrical products from the household, at municipal waste sites or by the retailer when you purchase a new product.



## Rechargeable Battery Pack

This long life battery pack must be recharged when it fails to produce sufficient power on jobs which were easily done before. At the end of its technical life, discard it with due care for our environment:

- Run the battery pack down completely, then remove it from the tool.
- Li-Ion cells are recyclable. Take them to your dealer or a local recycling station. The collected battery packs will be recycled or disposed of properly.

## REMARKS

Stanley's policy is one of continuous improvement to our products and as such, we reserve the right to modify product specifications without prior notice.

- Standard equipment and accessories may vary by country.
- Product specifications may differ by country.
- Complete product range may not be available in all countries. Contact your local Stanley dealers for range availability.

**TECHNICAL DATA**

Li-Ion HAMMER DRILL		SCH12	
Voltage	$V_{DC}$	12V Max	
No-load speed:			
1st gear	$\text{min}^{-1}$	0-400	
2nd gear	$\text{min}^{-1}$	0-1500	
Impact rate			
1st gear	$\text{min}^{-1}$	0-6000	
2nd gear	$\text{min}^{-1}$	0-22500	
Max torque	Nm	26	
Power output (MWO)	W	180	
Chuck capacity	mm	10	
Maximum drilling capacity			
Wood	mm	20	
Brickwork	mm	8	
Metal	mm	10	
CHARGER		SC121	SC122
Input Voltage	$V_{AC}$	220-240	220-240
Output Voltage	$V_{DC}$	22	12
Output Current(DC)	A	1.25	1.25
Approx. charge time	min	70(1.5Ah)	70(1.5Ah)
Battery		SCB12S	
Voltage	$V_{DC}$	12V Max	
Capacity	Ah	1.5	
Type	Li-Ion		

## 设计用途

Stanley SCD12 12 伏 Max 锂离子电钻起子设计用于轻型紧固和钻孔用途。

## 安全说明

### 电动工具通用安全警告



**警告！**阅读随电动工具提供的所有安全警告、说明、图示和规定。不遵照以下所列说明会导致电击、着火和/或严重伤害。

保存所有警告和说明书以备查阅。

警告中的术语“电动工具”指市电驱动(有线)电动工具或电池驱动(无线)电动工具。

#### a) 工作场地的安全

- 1) 保持工作场地清洁和明亮。混乱和黑暗的场地会引发事故。
- 2) 不要在易爆环境, 如有易燃液体、气体或粉尘的环境下操作电动工具。电动工具产生的火花会点燃粉尘或气体。
- 3) 操作电动工具时, 远离儿童和旁观者。注意力不集中会使你失去对工具的控制。

#### b) 电气安全

- 1) 电动工具插头必须与插座相配。绝不能以任何方式改装插头。需接地的电动工具不能使用任何转换插头。未经改装的插头和相配的插座将降低电击风险。
- 2) 避免人体接触接地表面, 如管道、散热片和冰箱。如果你身体接触接地表面会增加电击风险。
- 3) 不得将电动工具暴露在雨中或潮湿环境中。水进入电动工具将增加电击风险。
- 4) 不得滥用软线。绝不能用软线搬运、拉动电动工具或拔出其插头。使软线远离热源、油、锐边或运动部件。受损或缠绕的软线会增加电击风险。
- 5) 当在户外使用电动工具时, 使用适合户外使用的延长线。适合户外使用的电线将降低电击风险。
- 6) 如果无法避免在潮湿环境中操作电动工具, 应使用带有剩余电流装置(RCD)保护的电源。RCD的使用可降低电击风险。

#### c) 人身安全

- 1) 保持警觉, 当操作电动工具时关注所从事的操作并保持清醒。当你感到疲倦, 或在有药物、酒精或治疗反应时, 不要操作电动工具。在操作电动工具时瞬间的疏忽会导致严重人身伤害。
- 2) 使用个人防护装置。始终佩戴护目镜。防护装

置, 诸如适当条件下使用防尘面具、防滑安全鞋、安全帽、听力防护等装置能减少人身伤害。

- 3) 防止意外起动。在连接电源和/或电池包、拿起或搬运工具前确保开关处于关断位置。手指放在开关上搬运工具或开关处于接通时通电能导致危险。
- 4) 在电动工具接通之前, 拿掉所有调节钥匙或扳手。遗留在电动工具旋转零件上的扳手或钥匙会导致人身伤害。
- 5) 手不要过分伸展。时刻注意立足点和身体平衡。这样能在意外情况下能更好地控制住电动工具。
- 6) 着装适当。不要穿宽松衣服或佩戴饰品。让你的头发和衣服远离运动部件。宽松衣服、佩饰或长发可能会卷入运动部件。
- 7) 如果提供了与排屑、集尘设备连接用的装置, 要确保其连接完好且使用得当。使用集尘装置可降低尘屑引起的危险。
- 8) 不要因为频繁使用工具而产生的熟悉感而掉以轻心, 忽视工具的安全准则。某个粗心的动作可能在瞬间导致严重的伤害。

#### d) 电动工具使用和注意事项

- 1) 不要勉强使用电动工具, 根据用途使用合适的电动工具。选用合适的按照额定值设计的电动工具会使你工作更有效、更安全。
- 2) 如果开关不能接通或关断电源, 则不能使用该电动工具。不能通过开关来控制的电动工具是危险的且必须进行修理。
- 3) 在进行任何调节、更换附件或贮存电动工具之前, 必须从电源上拔掉插头和/或卸下电池包(如可拆卸)。这种防护性的安全措施降低了电动工具意外起动的风险。
- 4) 将闲置不用的电动工具贮存在儿童所及范围之外, 并且不允许不熟悉电动工具和不了解这些说明的人操作电动工具。电动工具在未经培训的使用者手中是危险的。
- 5) 维护电动工具及其附件。检查运动部件是否调整到位或卡住, 检查零件破损情况和影响电动工具运行的其他状况。如有损坏, 应在使用前修理好电动工具。许多事故是由维护不良的电动工具引发的。
- 6) 保持切削刀具锋利和清洁。维护良好地有锋利切削刃的刀具不易卡住而且容易控制。
- 7) 按照使用说明书, 并考虑作业条件和要进行的作业来选择电动工具、附件和工具的刀头等。将电动工具用于那些与其用途不符的操作可能会导致危险情况。
- 8) 保持手柄和握持表面干燥、清洁, 不得沾有油脂。在意外的情况下, 湿滑的手柄不能保证握持的安全和对工具的控制。

### e) 电池式工具使用和注意事项:

- 1) 仅使用生产者规定的充电器充电。将适用于某种电池包的充电器用到其他电池包时可能会发生着火危险。
- 2) 仅使用配有专用电池包的电动工具。使用其他电池包可能会产生伤害和着火危险。
- 3) 当电池包不用时, 将它远离其他金属物体, 例如回形针、硬币、钥匙、钉子、螺钉或其他小金属物体, 以防电池包一端与另一端连接。电池组端部短路可能会引起燃烧或着火。
- 4) 在滥用条件下, 液体可能会从电池组中溅出, 应避免接触。如果意外碰到液体, 用水冲洗。如果液体碰到了眼睛, 还应寻求医疗帮助。从电池中溅出的液体可能会发生腐蚀或燃烧。
- 5) 不要使用损坏或改装过的电池包或工具。损坏或改装过的电池组可能呈现无法预测的结果, 导致着火、爆炸或伤害。
- 6) 不要将电池包暴露于火或高温中。电池包暴露于火或高于130°C的高温中可能导致爆炸。

### f) 维修

- 1) 让专业维修人员使用相同的备件维修电动工具。这将保证所维修的电动工具的安全。
- 2) 决不能维修损坏的电池包。电池包仅能由生产者或其授权的维修服务商进行维修。

## 电钻专用警告语

- 带耳罩进行冲击作业。暴露于噪声环境会导致失聪。
- 使用辅助手柄。失控会导致人身伤害。
- 工具使用前应得到适当支撑。由于工具输出转矩大, 运行时没有适当支撑会失控导致人身伤害。
- 当在钻削附件可能触及暗线的场合进行操作时, 通过绝缘握持面握持工具。钻削附件碰到带电导线会使工具外露金属零件带电而使操作者遭受电击。

## 其他风险

尽管遵守了相关的安全法规并采用了安全装备, 某些其他风险仍然是无法避免的。

这些风险包括:

- 听力损伤。
- 飞溅颗粒造成的人身伤害风险。
- 使用时配件发热导致的灼伤风险。
- 长时间使用引起的人身伤害风险。

## 工具上的标签

您的工具上可能包含下列符号:



**警告!** 为降低伤害风险, 用户必须阅读说明手册。

### 日期码的位置

包含制造年份的日期码印在工具机壳内。

示例:

2018 XX JN  
制造年份

## 针对所有电池充电器的重要安全说明

**请妥善保管好这些说明:** 本手册包含重要的 SC122(SC121) 电池充电器安全和操作说明。

- 在使用充电器之前, 请先阅读所有指示以及充电器、电池组和使用电池组的产品上的警示标记。



**警告:** 触电危险。请勿让任何液体渗入充电器。否则可能会引起触电。



**警告:** 灼伤危险。为降低人身伤害风险, 请仅使用 STANLEY 充电式电池充电。使用其他类型的电池可能会引起爆炸, 并导致人身伤害和损害。



**警告:** 应看管好儿童, 以确保他们不将此设备当做玩具来玩。

**注意:** 在某些情况下, 充电器连接到电源时, 充电器触头可能会被异物导致短路。导电的异物, 包括但不限于研磨粉尘、金属屑、钢丝绒、铝箔纸或任何由金属粒子组成的物件, 必须远离充电器范围。充电器内没有电池组时, 请务必断开充电器与电源的连接。清洗前, 请务必拔掉充电器。

- 请勿试图使用本手册指定的充电器以外的其他任何充电器为电池组充电。充电器和电池组都是专门设计的, 互相配合使用。
- 这些充电器不可用于除为 STANLEY 充电电池充电以外的用途。否则可能会导致火灾、触电或电击。
- 请勿将充电器暴露于雨中或雪中。
- 断开充电器连接时, 应拔下插头, 切勿拉拽电源线。这将降低对电插头和电线的损害风险。
- 请确保电源线布置在不易踩踏、踢绊、拉扯或会受到损害或压力的位置。
- 除非绝对必要, 否则请勿使用延长线。使用不正确的延长线可能导致火灾、触电或电击的风险。
- 请勿将任何物件放在充电器上面, 或是把充电器放在可能会堵住通风槽的柔软表面, 导致充



**电器的内部过热。**请把充电器放置在远离任何热源的位置。充电器外壳顶端和底端具有通风槽。

- **请勿使用电源线或插头已损坏的充电器。**请立即更换已损坏的充电器。
- **如果充电器受到强烈冲击、掉落或出现其他损坏情况，请勿使用充电器。**请将损坏的充电器送到授权维修中心维修。
- **请勿自行拆卸充电器。需要维护或修理时，请拿到授权维修中心。**重装不正确可能导致触电、电击或火灾风险。
- 必须立即将已损坏的电源线交由制造商、服务代理或类似的合格人员进行更换以防止安全隐患。
- **清洁前，请先断开充电器和插座的连接，以降低触电风险。**取出电池组不会降低触电风险。
- **切勿将两个充电器连接在一起。**
- **充电器额定电压是标准家用电压。请勿试图在任何其他电压下使用充电器。**此规则不适用于车载充电器。

## 请妥善保管好这些说明

### 充电器

SC122(SC121) 充电器接受 12 伏 Max 锂离子电池。这些充电器无需做出任何调整，专为简易操作而设计。

### 充电程序 (图 2)

1. 插入电池组前，请先将充电器 (j) 的插头插入相应的电源插座上。
2. 请将电池组 (g) 插入充电器中。红色 (充电中) 指示灯将不断闪烁，表示充电过程已经开始。
3. 红色灯持续亮起表示充电完成。此时电池组已完全充电，您可以使用电池组或将电池组留在充电器上。

**注：**为了确保锂离子电池的效能和使用寿命最大化，在首次使用电池组之前必须将其完全充电。

### 充电过程

有关电池组的充电状态，请参阅下表。

充电状态	SC122
充电中	-----  绿灯闪烁
已完全充电	—————  绿灯
电池温度高	---  红灯闪烁
失效电池	.....  红灯快闪

### 热/冷电池组延迟

#### SC122 (SC121)

当充电器检测到电池较热时，会自动延迟充电，直到电池冷却为止。

当充电器检测到电池较冷时，会自动延迟充电，直到电池稍变热为止。

当红色指示灯闪烁，此时开始不能充电，当电池包冷却至合适的温度，充电器将自动恢复充电。

Stanley 锂离子电池工具具有电子保护系统设计，可保护电池免受过载、过热或过度放电之害。

如果电子保护系统处于运作状态，该工具将自动停止操作。如果发生这种情况，请将锂离子电池放在充电器上，直到其完全充电为止。

#### 仅限锂离子电池组

锂离子电池具有“电子保护系统”设计，可保护电池免受过载、过热或过度放电之害。

如果电子保护系统处于运作状态，该工具将自动停止操作。如果发生这种情况，请将锂离子电池放在充电器上，直到其完全充电为止。

## 针对所有电池组的重要安全说明

在订购替换电池组时，请务必提供产品目录号和电压。

包装箱内的电池组并未完全充电。使用电池组和充电器之前，请阅读下列安全说明，然后遵循所述的充电程序。

### 请阅读所有说明

- **请勿在易爆环境，如有易燃液体、气体或粉尘的环境中充电或使用电池。**在充电器中插入或取出电池时可能会点燃粉尘或气体。
- **切勿强行将电池插入充电器。请勿以任何方式改装电池组并将电池组插入不兼容的充电器，这可能会导致电池组破裂，造成严重的人身伤害。**
- 只使用 STANLEY 充电器为电池组充电。
- **请勿喷溅电池组或将其浸泡在水或其他液体中。**
- **请勿在温度可能达到或超过 40 °C (105 °F) 的地方 (如夏天户外的棚子或金属建筑物) 存储或使用工具和电池组。**



**警告：**切勿以任何理由试图打开电池组。电池组外壳破裂或损坏时，请勿将电池组插入充电器。请勿挤压、掉落或损坏电池组。请勿使用受过强烈冲击、掉落、碾压或以其他方式 (如被钉子穿破、受到锤子的重击、踩踏) 受损的电池组或充电器。否则可能会引起电击或触电。应把受损的电池组送返维修中心进行回收。





**警示:**不用时,请将工具侧放在平稳的表面上,以确保不会有踢绊或掉落的危险。一些具有大型电池组的工具将直立于电池组之上,但可能会轻易被撞倒。

### 锂离子的附加安全说明 (锂离子)

- 即使电池组严重受损或完全损坏,也请勿焚化电池组。电池组在火中会发生爆炸。锂离子电池组在燃烧时会释放有毒气体和物质。
- 如果电池液体接触到皮肤,请立即以中性肥皂和清水冲洗接触的地方。如果电池液体不慎进入眼睛,应睁开眼睛并用清水冲洗至少 15 分钟或直到刺激感缓解。如果需要医疗救助,请告知医护人员。电池电解质由液状有机碳酸盐和锂盐的混合物组成。
- 已打开电池的**内部物质可能会导致呼吸道刺激**。请保持空气流通。如果症状持续存在,请寻求医疗帮助。



**警告:**灼伤危险。电池液如果接触到火花或火焰可能会燃烧。

## 运输

STANLEY 电池符合所有适用的行业和法律标准规定的运输规范,包括《联合国危险品运输建议规章范本》(UN Recommendations on the Transport of Dangerous Goods)、《国际航空运输协会 (IATA) 危险品规则》(International Air Transport Association (IATA) Dangerous Goods Regulations)、《国际海运危险品 (IMDG) 规则》(International Maritime Dangerous Goods (IMDG) Regulations) 和《欧洲危险货物国际公路运输协定》(European Agreement Concerning The International Carriage of Dangerous Goods by Road) (ADR)。锂离子电池和电池组已遵循《联合国危险品运输建议规章范本手册》第 38.3 节关于测试和标准的说明通过测试。

大多数情况下,发运 STANLEY 电池组不属于完全管制的 9 类危险品。纳入 9 类危险品发运的情况通常有两种:

1. 空运两个以上 STANLEY 锂离子电池组,且包装中只包含电池组(没有工具);和
2. 包含一个能源等级大于 100 瓦时 (Wh) 的锂离子电池的任何形式运输。所有锂离子电池外壳上均标注有瓦时等级。

无论发运是否纳入完全管制范围内,运输公司均有责任遵循最新法规中关于包装、标签/标记和单据的要求。

电池运输途中,如果电池两极意外接触导电材料,可能会引发火灾。运输电池时,请务必保护电池

两极,确保与可能接触电池导致短路的材料良好绝缘。

本手册本节的信息是出于善意提供,且认为在编制文档时准确无误。但是不提供明示或暗示的担保。购买方负有确保其行为遵守适用法规的责任。

## 电池组

### 电池类型

SCH12 使用 12 伏 Max 电池组操作。

## 存储建议

1. 最好将电池存放在阴凉、干燥、远离阳光直射、不会过热或过冷的地方。为了获得最佳的电池性能和使用寿命,请您在不使用电池组时将其存储在室温下。
2. 长期存储时,建议将完全充电的电池组从充电器取出,存储在阴凉、干燥的地方,以达到最佳效果。

**注:**电池组不应在电池已完全耗尽的状态下存放。使用电池组之前,必须重新为电池组充电。

## 充电器和电池组上的标签

除了在本手册中所使用的标志,充电器和电池组的标签还包括:



使用前请阅读说明手册。



充电时间详细信息,请参阅**技术参数**。



电池充电中。



电池充电已完成。



电池故障。



热/冷电池组延迟。



请勿使用导电物体戳刺。



请勿对已损坏的电池组充电。



请勿将其暴露于水中。



应立即更换有缺陷的电线。



请只在 4°C 和 40°C 之间的温度下充电。



只能在室内使用。



弃置电池组时，请妥善处理以保护我们的环境。



请只使用指定的 STANLEY 充电器为 STANLEY 电池组充电。使用 STANLEY 充电器为非 STANLEY 电池充电可能会导致电池爆炸或出现其他危险情况。



请勿焚化电池组。

## 包装内的物品

包装内的物品包括：

- 1 冲击钻
- 1 充电器
- 2 电池 (S2) 或 1 电池 (S1)
- 1 本说明手册

注：N 型号不包括电池组和充电器。

- 检查工具、部件或配件是否在运输过程中损坏。
- 操作前，请抽空仔细阅读并掌握本手册。

## 说明(图 1)



**警告：**切勿改装本电动工具或其任何部件，否则可能会导致损坏或人身伤害。

- a. 变速触发开关
- b. 正/反转按钮
- c. 扭矩调节轴环
- d. 换挡器
- e. 无锁匙夹头
- f. 电池释放按钮
- g. 电池组
- h. 工作灯
- k. 功能轴环

## 设计用途

本冲击钻设计用于轻型紧固和钻孔用途。

请勿在潮湿环境中或在有易燃液体或气体的环境中使用。

本冲击钻是专业的电动工具。

请勿让儿童接触工具。缺乏经验的操作员需要在监督下使用本工具。

- 本产品不适合身体、感官或心智能力有缺陷以及缺乏经验、知识或技能的人员(包括儿童)使用，除非有相关人员负责他们的安全监督。请勿在无人监管的情况下让儿童接触本产品。

## 电气安全

电机只适用一种工作电压。请务必检查电池组的电压是否和铭牌上的电压一致。另外，请确保充电器电压和主电源的电压一致。



STANLEY 充电器符合 EN 60335 双重绝缘要求，因此无需使用接地线。

如果电源线损坏，必须交由 STANLEY 维修部门采用专门制备的电线进行更换。

## 使用延长线

除非绝对必要，否则请勿使用延长线。使用适合您的充电器输入功率的合格延长线(见**技术参数**)。最小的导线尺寸为 1 平方毫米；最大长度为 30 米。

使用电缆卷筒时，请务必拉出所有的电缆。

## 组装与调整



**警告：**组装与调整之前，请务必取出电池组。插入或取出电池组之前，请务必关闭工具。



**警告：**只使用 STANLEY 电池组和充电器。

## 插入和取出

### 工具上的电池组(图 3)



**警告：**为了降低严重的人身伤害风险，调整或拆除/安装附件或配件之前，请将正/反转控制按钮置于**锁止位置**，或**关闭工具电源并取出电池组**。意外启动可能会导致人身伤害。

注：请确保您的电池组 (g) 已完全充电。

### 将电池组安装到工具手柄中

1. 请将电池组和手柄里的凹口对齐。
2. 请将电池组紧紧地滑入手柄，直到听到锁定到位的声音。

## 从工具中取出电池组

- 按下释放按钮 (f)，将电池组从工具握柄中稳妥地拉出。
- 按本手册充电器部分所述将电池组插入充电器中。

## 操作

### 使用说明



**警告：**请务必遵守安全指示和适用法规。



**警告：**为了降低严重人身伤害的危险，调整或拆卸/安装附件或配件之前，请将正/反转控制按钮锁定在关闭位置，或请务必关闭工具电源，断开电池组。

### 正确的手持方式 (图 1、8)



**警告：**为降低严重人身伤害的风险，请务必使用正确的手持方式，如图所示。



**警告：**为降低严重人身伤害的风险，请务必紧握工具以防止意外事件。

正确的手持方式如图所示，一只手要放在主手柄 (i) 上。

### 变速触发开关 (图 1)

要开启工具，请按压触发开关 (a)。要关闭工具，请松开触发开关。您的工具配备制动器。触发开关完全释放时夹头将停止运作。

变速开关可让您根据特定用途选择最适用的速度。按压开关越紧，工具运作越快。为了获得最长的工具使用寿命，请仅在启动钻孔或紧固件时使用变速。

**注：**不建议在变速范围内连续使用工具，否则可能会损坏开关，因此应尽量避免。

### 正/反转控制按钮 (图 1)

正/反转控制按钮 (b) 可确定工具方向，并可作为锁定按钮使用。

如果要选择正向旋转，请松开触发开关，然后按下工具右侧的正/反转控制按钮。

如果要选择反向旋转，请按下工具左侧的正/反转控制按钮。控制按钮的中心位置会将工具锁定在关闭位置。改变控制按钮的位置时，请确保触发开关处于松开状态。

**注：**改变旋转方向后第一次运行工具时，您可能在启动时听到“咔嚓声”。这是正常现象，并不表示出现问题。

## 工作灯 (图 1)

工作灯 (h) 位于扭矩调节轴环 (c) 下方。按压触发开关时，工作灯就会亮起。

**注：**工作灯用于照亮紧邻的工作表面，不能当做手电筒使用。

### 扭矩调节轴环 (图 1)

将 (k) 转至螺丝标示。扭矩调节轴环 (c) 上清晰标注了编号和钻头符号。应旋转轴环直到所需设置位于工具顶部。轴环上提供了定位器，不必靠猜测来选择紧固扭矩。轴环上的编号越大，扭矩越高，并且可安装的紧固件也越大。如果要锁定夹头以进行钻孔操作，请将功能轴环 (k) 移至钻头位置。

**注：**使用电钻/起子机进行钻孔操作时，请确保将功能轴环设置为钻孔图标与工具顶部的中心线对齐。否则夹头会在您试图钻孔时滑动。

### 双档调速 (图 1、4)

电钻/起子机的双档功能可换挡以获得更大的适用性。

如果要选择低速 (高扭矩设置)，请关闭工具并让他停止转动。请将换挡器 (d) 尽量向后滑动 (滑向夹头)。

如果要选择高速 (低扭矩设置)，请关闭工具并让他停止转动。请将换挡器尽量向前滑动 (远离夹头)。

**注：**工具运行时切勿换挡。如果无法换挡，请确保双速换挡按钮已完全向前推动或完全向后推动。

### 无锁匙单套夹头 (图 5)

您的工具备有无锁匙夹头，带有一个旋转套管，便于单手操作夹头。如果要插入钻头或其他配件，请执行下列步骤。

- 按照之前的说明将触发开关锁定在关闭位置。
- 用一只手抓住夹头的黑色套管，用另一只手固定工具。逆时针旋转套管以插入所需的配件。
- 请将配件插入夹头约 19 毫米 (3/4 英寸) 处，然后用一只手顺时针旋转夹头，另一只手则握住工具，将配件拧紧。您的工具备有一个自动主轴锁装置。凭借此装置，您只需一只手即可打开和关闭夹头。

要释放配件，请重复步骤 2。



**警告：**请勿尝试通过握住夹头前端和打开工具来拧紧钻头 (或任何其他配件)。这可能会导致夹头受损和人身伤害。更换配件时，请务必锁定触发开关。

请确保在拧紧夹头时用一只手握住夹头套管，用另一只手握住工具，以获得最大的紧密性。

### 拆卸夹头 (图 6)

请将调节轴环转到“钻头”位置，把换挡开关调到 1 档 (低速)。把 6.35 毫米 (1/4 英寸) 或更大尺寸的六角扳手 (未提供) 的短端拧紧到夹头内。使用木槌或

类似物体按顺时针方向敲打长端, 如图所示。此操作可以拧松夹头内的螺丝。

完全打开夹头钳口, 将螺丝起子(或在需要时使用星型扳手)插入夹头前端钳口之间以扣紧螺丝头。顺时针旋转(左旋螺纹)以移除螺丝。请将六角扳手放进夹头并拧紧, 如图 6 所示。使用木槌或类似物体按逆时针方向用力敲打扳手。此操作会松开夹头, 可以用手取下。

### 安装夹头 (图 7)

请用手将夹头尽可能旋入, 并插入螺丝(左旋螺纹)。拧紧螺丝。把 6.35 毫米(1/4 英寸)或更大尺寸的六角扳手(未提供)的短端拧紧到夹头内, 然后使用木槌按顺时针方向敲打长端(如图所示)。按逆时针方向旋转, 再次拧紧螺丝。

### 电钻操作



**警告:**为降低严重的人身伤害风险, 在进行任何调整或移除/安装附件或配件之前, 请关闭工具电源和断开工具电源连接。



**警告:**为降低人身伤害风险, 请务必确保牢固锚定或夹紧工件。如果在较薄材料上钻孔, 请使用“垫板”以防止损坏材料。

请将轴环转至钻头符号进行钻孔操作。使用换挡器选择所需的速度/扭矩范围以满足操作计划的速度和扭矩要求。

1. 请只使用锋利的钻头。钻木材时, 应使用麻花钻头、扁钻头或孔锯。钻金属时, 应使用高速钢(HSS)麻花钻头或孔锯。
2. 用力方向请务必与钻头成一直线。请施加足够的压力, 保证钻进所需, 但不要大到马达失速或钻头倾斜。
3. 请双手紧握电钻, 控制电钻的扭转效应。



**警告:**如果过载, 电钻可能会失速, 从而导致突然扭转。请务必预计是否会发生失速。请用双手紧握电钻以控制扭转效应, 以避免伤害。

4. 如果电钻失速, 通常是由于过载或使用不当所致。请立即松开触发开关, 从工件上退出钻头, 查找失速的原因。请勿试图通过按下、松开触发开关来启动失速的电钻 - 这会损坏电钻。
5. 为尽量减少失速故障或避免钻头在材料中折断, 请降低对电钻的压力, 使钻头从孔的最后部分中缓和下来。
6. 从成孔中拉出钻头时, 请保持马达运转。这有助于防止卡死。
7. 使用变速电钻时, 无需中心冲定位。启动时采用较低速度, 当钻深足以防止跳钻时, 加力挤压触发开关, 使电钻加速。

### 冲击钻操作 (图 4)

1. 将轴环 (C) 转至电钻标示。
2. 向前(往夹头)滑动选择器, 选择高速设置。  
重要信息: 只使用碳化钻头或砖石钻头。
3. 钻孔时, 只需对锤子施加足够的力, 以防止过度反弹或“脱离”钻头。过多压力将导致钻孔速度变慢、过热、钻孔速度降低。
4. 直线钻孔, 保持钻头与工件成直角。钻孔时不要在钻头上施加侧压力, 这将导致钻头凹槽阻塞和钻孔速度变慢。
5. 钻深孔时, 如果锤子速度开始减慢, 在工具仍运行的情况下, 从孔中拔出部分钻头以帮助清理钻屑。

注: 如果钻屑平滑、均匀地流出, 则表明钻孔速度适当。

### 使用螺丝起子功能

使用双速换挡器选择所需的速度/扭矩范围以满足操作计划的速度和扭矩要求。

请将所需的紧固件配件插入任意钻头的夹头。在较小或隐蔽区域进行一些实际运行以确定夹头轴环的正确位置。

#### 最大性能建议

	低档 - 1	高档 - 2
金属钻孔钻头	6.00 毫米	3.00 毫米
木材平钻	19.00 毫米	12.00 毫米
孔锯	19.00 毫米	16.00 毫米
砖孔		6.00 毫米

### 维护

STANLEY 电动工具设计精良, 可以长时间使用, 而且只需极少的维护。要连续获得令人满意的工作效果, 需要进行合适的工具维护和定期清洁。



**警告:**为了减少严重人身伤害的危险, 调整或拆卸/安装附件或配件之前, 请将正/反转控制按钮锁定在关闭位置, 或请务必关闭工具电源, 断开电池组。意外启动可能会导致人身伤害。

充电器和电池组无法维修。这些组件内没有可以维修的部件。



### 润滑

本电动工具无需另行润滑。



## 清洁



**警告：**一旦看到通风口及其周围积聚了尘屑，请用干燥的空气将灰尘和尘屑从主机外壳内吹出。执行此过程时，需戴上经认可的护目装备和防尘面具。



**警告：**切勿使用溶剂或其他刺激性化学制品来清洁工具的非金属部件。这些化学物质可能会削弱这些部位使用的材料。请用布蘸温和的肥皂水擦拭。切勿让任何液体渗入工具，切勿让工具的任何部件浸在液体中。

### 充电器清洁说明



**警告：**触电危险。清洁前，请将充电器从交流电源插座上拔下。可用布或非金属软刷清除充电器外部的污垢和油脂。请勿使用水或任何清洁剂。

### 充电器清洁说明



**警告：**触电危险。清洁前，请将充电器从交流电源插座上拔下。可用布或非金属软刷清除充电器外部的污垢和油脂。请勿使用水或任何清洁剂。

### 可选配件



**警告：**除了 STANLEY 提供的配件之外，其他配件都未经此产品兼容性测试，如果将此类配件与本工具一起使用将存在安全隐患。为降低伤害风险，本产品仅可使用 STANLEY 推荐的配件。

请向您的经销商咨询更多关于合适配件的信息。

## 保护环境



分类回收。本产品不得与普通家庭垃圾一起处理。

如果您发现您的 STANLEY 产品需要更换或您已经不再需要使用这些产品，请不要将它们与家庭垃圾一起处理。请将它们单独分类回收。



分类回收使用过的产品和包装能够让材料得以再循环和再利用。再生材料的再利用有助于防止环境污染，并降低对原材料的需求。

当地法规可能要求由市政废物处理点或向您出售新产品的零售商提供从家庭中分类回收电气产品的服务。



## 充电式电池组

本电池组使用寿命长，不能提供顺利完成工作所需的电力时，必须进行充电。电池技术寿命结束时，请妥善处理以保护环境。

- 耗尽电池组的电力，然后将其从工具上拆下。
- 锂离子电池是可回收的。请将它们送往您的经销商处或当地的回收站。回收的电池组将被妥善循环使用或处理。

## 备注

Stanley 的政策是持续改进我们的产品，因此，我们保留随时更改产品规格的权利，恕不另行通知。

- 标准设备和附件可能会因国家(地区)而异。
- 不同国家(地区)的产品规格也可能会有所不同。
- 并非所有的国家(地区)都可提供完整的产品系列。有关各产品系列的供货状况，请联系您当地的史丹利代理商。

## 技术参数

锂电充电式冲击钻		SCH12	
电压	$V_{DC}$	12V Max	
空载转速			
1 档	$min^{-1}$	0-400	
2 档	$min^{-1}$	0-1500	
锤击频率			
1 档	$min^{-1}$	0-6000	
2 档	$min^{-1}$	0-22500	
最大扭矩	Nm	26	
功率输出 (MWO)	W	180	
夹头尺寸	mm	10	
最大钻孔能力			
木材	mm	20	
砌砖	mm	8	
金属	mm	10	
充电器		SC121	SC122
输入电压	$V_{AC}$	220-240	220-240
输出电压	$V_{DC}$	22	12
输出电流 (DC)	A	1.25	1.25
大约充电时间	min	70(1.5Ah)	70(1.5Ah)
电池		SCB12S	
电压	$V_{DC}$	12V Max	
电池容量	Ah	1.5	
类型	锂离子		

制造商: 史丹利五金工具(上海)有限公司

制造商地址: 中国 (上海) 自由贸易试验区美盛路263号

产地: 江苏苏州



## 設計用途

您的 Stanley SCH12 12V Max 鋰電震動電鑽調扭起子機設計用於輕型鎖緊與鑽孔應用。

注意：12V Max 為最大初始電池電壓（無負載測量）。標稱電壓為 10.8V。

## 安全指示

### 電動工具一般安全警告

台灣請以繁體中文版本為主。



**警告！請閱讀所有安全警告及指示。**  
不遵循這些警告和說明可能會導致觸電、火災及/或嚴重傷害。

請妥善保存所有警告及說明以備將來查閱。

警告中的名詞「電動工具」是指電源驅動（插電）電動工具，或者電池驅動（充電）電動工具。

#### 1. 工作場地安全

- a. 保持工作場地清潔明亮。混亂或黑暗的場地會引發事故。
- b. 請勿在易爆環境，如有易燃液體、氣體或粉塵的環境中操作電動工具。電動工具產生的火花會點燃粉塵或氣體。
- c. 請等待兒童和旁觀者離開之後才操縱電動工具。分心會導致您疏忽於控制。

#### 2. 電氣安全

- a. 電動工具插頭必須與插座相符。切勿以任何方式改裝插頭。需接地的電動工具不能使用任何配接器插頭。未經改裝的插頭與相符的插座可降低觸電風險。
- b. 避免人體接觸接地表面，如管道、散熱片、爐灶和冰箱。若您的身體接地，可增加觸電危險。
- c. 請勿將電動工具暴露在雨中或潮濕環境中。水進入電動工具會增加觸電危險。
- d. 請勿濫用電線。請勿使用電線來搬運、拉動電動工具或拔出插頭。讓電線遠離熱、油、銳邊和活動部件。受損或纏繞的電線會增加觸電危險。
- e. 若要在戶外使用電動工具，請使用適合戶外使用的延長電纜。使用適合戶外使用的電線可減少觸電危險。
- f. 若必須在潮濕場合使用電動工具，請使用漏電保護器（RCD）。使用 RCD 可降低觸電危險。

#### 3. 人身安全

- a. 保持警覺；在操作電動工具時，請留意所執行

的操作並按照一般的常識執行。請勿在疲倦，或受到藥物、酒精或治療的影響下操作電動工具。操作電動工具期間注意力分散會導致嚴重人身傷害。

- b. 使用個人防護裝置。始終佩戴護目裝備。防護裝置，例如在適當條件下可使用的防塵面具、防滑安全鞋、安全帽或聽力保護等裝置可減少人身傷害。
- c. 避免意外啟動。連接電源及/或電池組、檢取或搬運電動工具之前，請確定開關處於關閉位置。搬運電動工具時若將手指放在開關上，或是在接通開關電源時插入插頭都會引發危險。
- d. 接通電動工具之前，請卸下所有的調整鑰匙及扳手。遺留在電動工具旋轉部件上的扳手或鑰匙會導致人身傷害。
- e. 請勿過度伸張雙手。時刻注意腳下和身體的平衡。如此即可在發生意外的情況下更好地控制電動工具。
- f. 適當穿著。請勿穿寬鬆衣服或佩戴飾品。讓您的頭髮、衣服和手套遠離活動部件。寬鬆衣服、佩飾和長髮可能會捲入活動部件。
- g. 若配備用於連接排屑裝置、集塵設備的裝置，請確定正確連接和使用這些裝置。使用集塵設備可減少與粉塵有關的危險。

#### 4. 電動工具的使用與注意事項

- a. 請勿超負荷使用電動工具。根據您的用途使用適當的電動工具。使用適當的電動工具在其設計可負荷的應用內，會讓您更有效、更安全地執行工作。
- b. 若開關不能開啟或關閉電源，切勿使用該電動工具。不能用開關來控制的電動工具將存在危險，必須進行維修。
- c. 在執行任何調整、更換配件或儲存工具之前，必須從電源上拔掉插頭及/或卸下電池組。這類防護性措施可降低電動工具意外啟動的風險。
- d. 請將閒置的電動工具儲存在兒童無法接觸的地方，並且勿讓不熟悉電動工具或對這些說明不瞭解的人員操作電動工具。電動工具在未經培訓的使用者手中會發生危險。
- e. 維護電動工具。檢查活動部件是否對準或卡住、是否存在任何破損情況，或任何能影響電動工具運行的其他情況。若有損毀，必須在使用之前修理電動工具。許多事故都是由於電動工具欠缺維護所導致。
- f. 保持切削工具鋒利和清潔。妥善維護、切勿鋒利的切割工具不會輕易卡住並可更輕鬆控制。
- g. 遵循使用指示、特定類型電動工具的專用方

式，以及工作條件和所要執行的工作來使用電動工具、配件和工具鑽頭等。不按照設計目使用電動工具將會導致危險。

## 5. 電池工具的使用與注意事項

- 只能使用製造廠商指定的充電器為電池充電。  
使用僅適合一種電池組的充電器為其他類型的電池組充電會導致火災危險。
  - 請使用原廠的電動工具電池組。使用其他非原廠的電池組會導致人身傷害和火災危險。
  - 不使用電池組時，請將其遠離迴紋針、硬幣、鑰匙、釘子、螺釘等所有可連通電池兩極的金屬物品。將電池兩極短路會導致灼傷或火災。
  - 濫用電池的情況下，液體會從電池中噴出，因此請避免與液體接觸。若不小心接觸液體，請用清水沖洗。若液體噴濺到眼睛上，沖洗之後還要進行治療。從電池噴出的液體會刺激皮膚或造成灼傷。
- ## 6. 檢修
- 本電動工具必須由合格的維修人員並只採用相同的原廠零件來執行檢修。這將確保電動工具的安全性。

## 電鑽/起子機之其他特殊安全規定

- 請在使用震動電鑽時佩戴聽力保護器。噪音會使聽力受損。
- 請使用工具隨附的輔助手柄。工具失控會導致人身傷害。
- 若在執行操作時切削配件可能會接觸隱藏的電線，請從絕緣手柄表面握住電動工具。若切削配件接觸到「帶電」導線，電動工具金屬部件表面就會「帶電」，從而導致操作人員觸電。

## 剩餘風險

即使應用有關的安全規定並採用安全設備，仍然還有一些無法避免的剩餘風險。

危險包括：

- 聽力受損。
- 飛散的顆粒引起的人身傷害風險。
- 操作過程中配件變熱引起的灼傷風險。
- 長時間使用引起的人身傷害風險。

## 工具上的標籤

您的工具上可能包含下列符號：



**警告！**為了降低受傷的風險，使用者必須仔細閱讀使用手冊。

## 日期代碼的位置

日期代碼亦包括製造年份，已印刷在工具外殼上。

範例：

2015 XX JN

製造年份

## 所有電池充電器之重要安全指示

**妥善保存這些安全指示：**本說明書提供有關 SC122 (SC121) 充電器重要的安全和操作指示。

- 在使用充電器之前，請先閱讀所有指示以及充電器、電池組和使用電池組的產品上的警告標記。



**警告：**觸電危險。切勿讓任何液體進入充電器，否則可能會導致觸電。



**小心：**燒傷危險。為了減低受傷風險，只可以使用 STANLEY 可充電電池。其他非原廠電池可能會爆裂，導致人身傷害和損害。



**小心：**必須對兒童進行監督，以確保其不會玩耍本器具。

**注意：**在某些情況下，充電器連接到電源後，充電觸頭會被異物導致短路。導電的異物，包括但不限於研磨粉塵、金屬屑、鋼絲絨、鋁箔紙或任何由金屬粒子組成的物件，必須要遠離充電器範圍。充電器裡沒有電池組時，一定要拔掉充電器的電源。請先拔掉電源插頭後再清潔充電器。

- 切勿嘗試使用本手冊未提到的充電器替電池組充電。充電器和電池組是為了一同使用和特別設計。
- 除了為 STANLEY 可充電電池充電之外，這些充電器不可以用於其他用途。否則可能會導致火災、觸電或觸電致死。
- 切勿把充電器暴露在雨、雪之中。
- 中斷充電器的電源時，請拔除插頭而非拉扯電線。這樣會減低電源插頭和電線損壞的風險。
- 請確保電線的位置不會被踐踏、令人絆倒，或引起其他方式的損壞或受壓。
- 除非絕對需要，否則請勿使用延長電線。使用不適當的延長電線會引起火災、觸電或觸電致死。
- 請勿將任何物件放在充電器上面，或是把充電器放在可能會堵住通風槽的柔軟表面，導



**致充電器的內部過熱。** 請將充電器放到遠離熱源的位置。充電器透過外殼頂部和底部的通風槽散熱。

- **切勿操作電線或插頭損壞的充電器** — 請立即更換損壞的部分。
- **如果充電器受到重擊、墜落或出現其他損壞情況，請勿使用充電器，** 並拿到授權維修中心修理。
- **切勿自行拆卸充電器。需要維護或修理時，請拿到授權維修中心。** 重新組裝不當可能會導致觸電、觸電致死或火災。
- 若電源線損毀，必須讓製造廠商、檢修代理或類似合格人員更換以避免發生危險。
- **在清潔之前，請將充電器的插頭從電源插座上拔掉，** 這樣可以減低觸電風險。拆除電池組並不能夠降低這種風險。
- **切勿試圖將兩個充電器連接在一起。**
- **充電器是為標準家用電源而設計。切勿試圖使用其他電壓。** 本規定不適用於車載充電器。

## 請保存這些安全指示

### 充電器

SC122 (SC121) 充電器可對 12V Max 鋰離子電池充電。

這些充電器毋須調節，極易使用。

### 充電程序 (圖 2)

1. 放進電池組前，先將充電器 (j) 的插頭插到適當的插座。
2. 將電池組 (g) 放進充電器。充電指示燈 (充電中) 會不斷閃爍，這表示充電程序已經開始。
3. 當充電指示燈會持續亮起時，代表充電完成。這個時候，電池組的電力全滿，可以立即使用或是留在充電器裡。

**注：**為了確保鋰離子電池的效能和使用壽命最大化，在第一次使用電池組之前必須將它完全充電。

### 充電程序

請見下表瞭解電池組的充電狀態。

充電狀態	SC122
充電中	-----  綠燈閃爍
電力全滿	-----  綠燈
電池溫度高	---  紅燈閃爍
電池失效	.....  紅燈快閃

### 電池組熱/冷延遲

#### SC122(SC121)

當充電器檢測到電池是熱的時，它將自動延遲充電，直到電池已經冷卻。

當充電器檢測到電池是冷的時，它將自動延遲充電，直到電池稍微變熱。

紅燈會繼續閃爍，電池冷卻後，充電器將恢復充電程序。

Stanley 鋰離子工具透過電子保護系統設計，保護電池免受過載、過熱或深度放電。

如果電子保護系統啟動，本工具會自動關閉。如果出現此情況，請將鋰離子電池放進充電器直到電力全滿。

#### 僅限鋰離子電池組

鋰離子電池設計有電子保護系統，保護電池免受過載、過熱或深度放電。

如果電子保護系統啟動，本工具會自動關閉。如果出現此情況，請將鋰離子電池放進充電器直到電力全滿。

### 所有電池組之重要安全指示

購買更換電池組時，務必附上目錄號和電壓資料。

包裝內的電池組並未完全充電。在使用電池組和充電器之前，請先閱讀以下安全指示，並遵循所列的充電程序。

#### 請閱讀所有指示

- **不要在易爆環境，如有易燃液體、氣體或粉塵的環境中進行充電或使用電池。** 將電池組放進充電器或拆除電池可能會點燃粉塵或氣體。
- **切勿強行將電池放進充電器。切勿以任何方式改裝電池組以在不相容的充電器中使用，否則電池組可能會破裂，導致嚴重人身傷害。**
- 只可使用 STANLEY 充電器為電池充電。
- **請勿將水分或其他液體飛濺到電池組或將電池組浸沒。**
- **請勿在溫度可能達到或超過 40 °C (105 °F) 的地方 (例如夏季時沒有遮擋的棚子或金屬建築物) 儲存或使用本工具和電池。**



**警告：**不論是因為任何理由，都不要嘗試打開電池。如果電池組的外殼破裂或損毀，請勿放進充電器。切勿撞擊、摔落或損毀電池組。切勿使用受到重擊、墜落或出現其他損壞情況的電池組或充電器 (例如釘子刺穿、以鎚子敲打或踩踏)。否則可能會引起

觸電或觸電致死。損毀的電池組應該送回維修中心進行回收。



**小心：不使用工具時，請將工具放在穩定的表面上，以免導致絆倒或墜落等危險。**一些具有大型電池組的工具可以直立但可能會輕易被撞倒。

## 鋰離子電池

### (Li-Ion) 之特殊安全指示

- 即使電池組已嚴重損毀或磨損，請勿焚燒電池組。電池組可能會在火中爆炸。焚燒鋰離子電池組時會產生有毒氣體和物料。
- 如果電池液體接觸到皮膚，請立即以中性肥皂和清水沖洗接觸範圍。若電池液進入眼睛，立即用清水沖洗 15 分鐘或直到刺激停止。如果需要接受治療，電池的電解質由液化有機碳酸鹽和鋰鹽構成。
- 開啟的電池中的物質可能會導致刺激呼吸道。請轉移至空氣流通處。如果症狀持續，請尋求醫療協助。



**警告：燒傷危險。**電池液如遇到火花或火焰可能會引起燃燒。

## 運輸

STANLEY 電池符合所有使用的行業和法律標準規定的運輸規定，包括聯合國危險貨物運輸建議書、國際航空運輸協會 (IATA) 危險物品處理規則、國際海運危險物品 (IMDG) 處理規則以及國際公路運送危險物品歐洲協議 (ADR)。鋰離子電池和電池組均已根據《聯合國危險貨物運輸建議書測試與標準手冊》第 38.3 節的規定進行測試。

大多數情況下，運輸 STANLEY 電池組不會被分歸為完全管制的第 9 類危險品。屬於第 9 類危險品運輸的情況通常有兩種：

1. 空運兩個以上的 STANLEY 鋰離子電池組，且包裝中只包含電池組（不含工具），以及
2. 任何運輸中包含能量級大於 100 瓦時 (Wh) 的鋰離子電池。所有鋰離子電池外殼上均標註有瓦時等級。

無論運輸是否納入完全管制範圍內，運輸方均有責任諮詢瞭解針對包裝、標籤/標記及單據要求的最新規定。

電池運輸途中，若兩級意外接觸導電材料，可能會引發火災。運輸電池時，確保電池兩級受到保護並與可能接觸兩級並導致短路的材料隔絕。

手冊本節資訊基於良好商譽原則提供，在編製文件時被視為準確無誤，但不提供任何明示或暗示的保證。買方負有確保其行為遵守適用法規的責任。

## 電池組

## 電池類型

SCH12 使用 12V Max 電池組。

## 儲存建議

1. 乾燥、涼爽、太陽不會直接照射、不會過熱或過冷的地方，就是電池組的最佳存放地點。為達到最大效能和使用壽命，不使用電池時請以室溫儲存電池組。
2. 欲長期儲存，建議將電力全滿的電池組從充電器卸下，儲存於涼爽、乾燥處，使電池組效能達到最佳。

**注：**電池組不應在電力耗盡的情況下儲存。在使用之前，電池組必須再次充電。

## 充電器和電池組上的標籤

除了本手冊的圖示之外，充電器和電池組上的標籤包含以下圖示：



使用前請閱讀使用手冊。



充電時間請見技術資料。



電池正在充電。



電池充電完畢。



電池受損。



電池組熱/冷延遲。



切勿插入導體。



切勿為損毀的電池組充電。



切勿暴露在水中。



立即更換損壞的電線。



只在溫度介於 4°C 至 40°C 之間充電。



僅供室內使用。



棄置電池組時要顧及環保。

LHON



只使用原廠的 STANLEY 充電器 為 STANLEY 電池組充電。使用 STANLEY 充電器對指定的 STANLEY 電池以外的電池組充電會爆裂或導致其他危險情形。



切勿焚化電池組。

## 套裝內的物件

本套裝包括：

- 1 震動電鑽調扭起子機
- 1 充電器
- 2 電池 (S2) 或 1 電池 (S1)
- 1 使用手冊

注：N 型號不隨附電池組和充電器。

- 檢查工具、部件或配件有否在運送途中損壞。
- 操作前，請抽空徹底地閱讀和掌握本手冊的內容。

## 說明 (圖 1)



**警告：**切勿改動本電動工具或其任何部件，可能導致損害或人身傷害。

- a. 變速觸發開關
- b. 正/反轉按鈕
- c. 扭力調整環
- d. 換檔器
- e. 無鎖匙夾頭
- f. 電池釋放按鈕
- g. 電池組
- h. 工作燈
- k. 功能環

## 設計用途

本電鑽鑽設計用於輕型鎖緊與鑽孔應用。

切勿在潮濕有水或存有易燃液體或氣體的環境下使用工具。

本電鑽鑽是專業的電動工具。

切勿讓兒童接觸此工具。缺乏經驗的操作人員需要在監督下使用本工具。

- 體力、感覺或智力不足，或者缺乏經驗及/或知識的人員（包括小孩）不適合使用本產品，除非負責他們安全的人員已經為他們提供關於使用此器具的監督。切勿讓兒童單獨耍玩本工具。

## 電氣安全

電動機只適用一種電壓。請務必檢查電池組電壓是否與銘牌一致，並且確保充電器的電壓與電源電壓一致。



STANLEY 充電器根據 EN 60335 進行雙重絕緣，因此不需要使用接地線。

若電源線損壞，必須使用 STANLEY 維修機構提供的專用電線進行更換。

## 使用延長纜線

如非絕對必要，否則不要使用延長電線。請使用與充電器的輸入功率相匹配的認可延長電纜（請參閱技術資料）。導體的最小尺寸為 1 平方公釐；最長為 30 米。

使用電纜捲筒時，每次必須把電纜完全展開。

## 裝配與調整



**警告：**每次進行組裝和調整之前，務必取出電池組。放進或取出電池組之前，務必關掉工具的電源。



**警告：**只可以使用 STANLEY 電池組和充電器。

## 放進及取出 工具的電池組 (圖 3)



**警告：**為了減低造成嚴重人身傷害的風險，在進行任何調整或卸下或安裝附件或配件之前，切記將正/反轉按鈕置於鎖止位置，或關掉工具的電源並取出電池組。意外啟動工具可能會造成傷害。

注：請確保電池組 (g) 完全充滿。

## 將電池組安裝到工具手柄中

1. 將電池組和手柄裡的軌道對齊。
2. 將電池組緊緊地滑入手柄，直到聽到鎖定位的聲音。

## 卸下工具內的電池

1. 按下電池釋放按鈕 (f)，將電池組從工具手柄中穩妥地拉出。
2. 按照本手冊有關充電器的章節所述，將電池組放進充電器。

## 操作

## 使用說明



**警告：**請時刻遵守安全指示和適用的規則。



**警告：**為了減低造成嚴重人身傷害的風險，在進行任何調整或卸下或安裝附件或配件之前，切記將正/反轉按鈕置於鎖止位置，或關掉工具的電源並取出電池組。

## 正確的雙手放置位置 (圖 1, 8)



**警告：**為降低遭受嚴重人身傷害的風險，務必如圖示那樣正確放置雙手。



**警告：**為了減低造成嚴重人身傷害的風險，預期有突然反應時務必握緊。

正確的雙手放置位置是將一隻手放在主手柄 (i) 上。

## 變速觸發開關 (圖 1)

若要啟動工具，請按壓觸發開關 (a)。若要關閉工具，請鬆開觸發開關。本工具配有制動器。完全鬆開觸發開關後，夾頭就會馬上停止。

變速開關可讓您因應特定用途選擇最適用的速度。您愈用力擠壓觸發器，工具便會以更快的速度運作。為了延長工具的壽命，請僅在鑽起始孔或緊固件時才使用變速。

**注：**不建議在變速範圍內進行持續使用。這會損壞開關，應當避免。

## 正/反轉控制按鈕

### (圖 1)

正/反轉控制按鈕 (b) 決定工具的方向，同時具備鎖止按鈕功能。

若要選擇正轉，請鬆開觸發開關，然後按下工具右邊的正/反轉控制按鈕。

若要選擇反轉，請按下工具左邊的正/反轉控制按鈕。當控制按鈕處於中心位置時，工具會被鎖定在關閉位置。要改變控制按鈕的位置時，請確保觸發器已經鬆開。

**註：**當您改變轉動方向後第一次操作工具，您可能會在啟動時聽到卡嗒聲。這是正常現象，不代表工具故障。

## 工作燈 (圖 1)

工作燈 (h) 位於扭矩調整環 (c) 的下面。擠壓觸發開關時，工作燈就會亮起。

**註：**工作燈用於照亮緊鄰的工作表面，而不是設計作為手電筒。

## 扭矩調整環 (圖 1)

旋轉 (k) 以緊固符號。扭矩調整環 (c) 標有編號和鑽頭符號。扭矩調整環應旋轉直到所需設定位於工具頂部。調整環中提供定位器，以便在選取鎖緊扭矩時消除猜測工作。調整環上的編號越大，扭

矩越高，且可安裝的扣件也越大。若要鎖定夾頭以進行鑽孔操作，請將功能環 (k) 移至鑽頭位置。  
**注：**當使用電錘鑽/起子機來鑽孔時，確保設定功能環，使電鑽的外形與工具頂部的中心線對齊。否則夾頭會在您試圖鑽孔時滑動。

## 雙速排擋 (圖 1, 4)

藉助電鑽/起子機的雙速功能，您可進行換檔以獲得更大的適用性。

若要選擇低速、高扭矩設定，請關閉工具並讓它停止轉動。將換檔器 (d) 向前滑動 (滑向夾頭)。若要選擇高速、低扭矩設定，請關閉工具並讓它停止轉動。將換檔器向後滑動 (遠離夾頭)。

**注：**工具運轉時不要換檔。如果無法換擋，請確保雙速換檔器已完全向前推動或完全向後推動。

## 無鎖匙單套夾頭 (圖 5)

您的工具配無鎖匙夾頭，帶有一個旋轉套管，以方便單手操作夾頭。若要插入鑽頭或其他配件，請執行以下步驟。

1. 如先前所述，將觸發器鎖定在 OFF (關閉) 位置。
2. 用一隻手抓住夾頭的黑色套管，用另一隻手固定工具。逆時針旋轉套管到可接受所需配件的程度。
3. 將配件插入夾頭約 19 公釐 (3/4") 處，然後用一隻手順時針旋轉夾頭，另一隻手則握住工具，將配件擰緊。您的工具配有一個自動軸心鎖機構。藉助此機構，您只需一隻手即可開啟和關閉夾頭。

若要鬆開配件，請重複上述步驟 2。



**警告：**不要嘗試透過握住夾頭前部並啟動工具來擰緊鑽頭 (或任何其他附件)。這可能會導致夾頭損壞和人身傷害。更換配件時始終鎖止觸發開關。

擰緊夾頭時，務必用一隻手握住夾頭套管，用另一隻手握住工具，以獲得最大的緊密性。

## 取下夾頭 (圖 6)

將調整環轉到「鑽孔」位置，並將換檔器轉到位置 1 (低速)。以 6.35 公釐 (1/4") 或更大尺寸的六角扳手 (未隨附) 較短端擰緊夾頭。如圖所示，使用木槌或類似物件沿順時鐘方向敲擊較長端。這樣可擰鬆夾頭內的螺絲。

完全打開夾頭爪，將螺絲起子 (或在需要時使用 Torx 工具) 插入爪之間夾頭前面，以結合螺絲頭。順時鐘旋轉擰下螺絲 (左旋螺紋)。將六角扳手放在夾頭中並擰緊，如圖 6 所示。使用木槌或類似物件沿逆時鐘方向大力敲擊六角扳手。這樣會鬆開夾頭，以使用手擰開螺絲。

**夾頭安裝 (圖 7)**

用手擰上夾頭，以至於可插入螺絲（左旋螺紋）。牢固旋緊螺絲。如圖所示，將夾頭牢固旋緊到 6.35 公釐 (1/4") 或更大扳手（未提供）的較短端，然後使用木槌件沿順時鐘方向敲擊較長端。逆時針旋轉，再次牢固旋緊螺絲。

**電鑽操作**

**警告：** 為了降低造成嚴重人身傷害的風險，在進行任何調整或卸下或安裝附件或配件之前，切記關閉工具並斷開工具電源。



**警告：** 為了減低造成嚴重人身傷害的風險，務必確保工件已穩固地固定或夾住。若要在薄的材料上鑽孔，請使用木塊墊住以預防材料損壞。

將調整環轉至電鑽頭符號以鑽孔。使用換檔器選擇所需的速度/扭矩範圍以與操作計畫的速度和扭矩相符。

1. 請僅使用鋒利的鑽頭。對於木材，應使用麻花鑽頭、扁鑽頭，或孔鋸。對於金屬，應使用高速鋼 (HSS) 麻花鑽頭或孔鋸。
2. 始終以與鑽頭方向成一直線的方式施加壓力。使用足夠的壓力讓鑽頭持續穿透，但不要太用力以致讓電動機失速或鑽頭偏斜。
3. 使用雙手緊握電鑽以控制電鑽的旋轉動作。



**警告：** 如果過載，電鑽可能會失速，導致突然旋轉。請保持警覺，並隨時有失速的心理準備。雙手緊握電鑽以控制旋轉動作和避免受傷。

4. **電鑽失速**，通常是由於過載或使用不當導致。請立即鬆開觸發器，從工件上退出鑽頭，查找失速的原因。不要按下又鬆開觸發器以試圖啟動失速的電鑽——這會損壞電鑽。
5. 為儘量減少失速故障或避免鑽頭在材料中折斷，請降低對電鑽的壓力，使鑽頭從孔的最後部分中緩和下來。
6. 將鑽頭從已鑽好的洞拔出時，讓電機保持運轉。這有助於防止卡死。
7. 使用變速電鑽時，無需中心沖定位。啟動時採用較低速度，當鑽深足以防止跳鑽時，加力擠壓觸發器，使電鑽加速。

**電錘鑽操作 (圖 4)**

1. 旋轉 (K) 至電錘鑽符號。
2. 向前滑動選擇器（滑向夾頭），選擇高速設定。重要指示：只使用硬合金鑽頭或磚石鑽頭。

3. 鑽孔時，只需對錘子施加足夠的力，以防止過度反彈或「脫離」鑽頭。過多壓力將導致鑽孔速度變慢，過熱，鑽孔速度降低。
4. 直線鑽孔，保持鑽頭與工件成直角。鑽孔時不要在鑽頭上施加側壓力，這將導致鑽頭凹槽阻塞，鑽孔速度變慢。
5. 鑽深孔時，如果錘子速度開始減慢，在工具仍運轉的情況下，從孔中拔出部分鑽頭以幫助清理鑽屑。

注：如果鑽屑平滑、均勻地流出，則表明鑽孔速度適當。

**作為螺絲起子操作**

使用工具頂部雙速排擋選擇器選擇所需的速度/扭矩範圍以與操作計畫的速度和扭矩相符。

將所需的扣件配件插入任意鑽頭的夾頭。在較小或隱蔽區域進行一些實際運轉以確定夾頭調整環的正確位置。

**最大建議能力**

	低檔-1	高檔-2
鑽頭，金屬鑽孔	6.00 公釐	3.00 公釐
木材，扁平鑽頭鑽孔	19.00 公釐	12.00 公釐
孔鋸	19.00 公釐	16.00 公釐

**維護**

STANLEY 電動工具採用卓越的設計，能夠長時間使用，並且只需最少的維護。若要持續獲得滿意的操作效果，需進行正確的工具維護與定期的清潔。



**警告：** 為了減低造成嚴重人身傷害的風險，在進行任何調整或卸下或安裝附件或配件之前，切記將正/反轉按鈕置於鎖止位置，或關掉工具的電源並取出電池組。意外啟動工具可能會造成傷害。

充電器和電池組是不可檢修的裝置。充電器和電池組內不含可檢修的部件。

**潤滑**

本電動工具毋需額外潤滑。





## 清潔



**警告：**一旦通風口及其周圍積聚可見的粉塵，請立即使用乾燥的壓縮空氣吹掉主機外殼內的粉塵和灰塵。執行此步驟時，請佩戴經認可的護目裝備和防塵面罩。



**警告：**切勿使用溶劑或其他刺激性化學品來清潔工具的非金屬部件。這些化學品可能會削弱部件中使用的材料。只能使用抹布蘸中性肥皂水進行清潔。不要讓任何液體進入工具；不要讓工具的任何部分浸入液體中。

## 充電器清潔指示



**警告：**觸電危險。在清潔之前，請將充電器的插頭從電源插座上拔掉。使用軟布或非金屬軟刷，去除充電器外部的污垢和油脂。請勿使用水或任何清潔劑。

## 充電器清潔指示



**警告：**觸電危險。在清潔之前，請將充電器的插頭從電源插座上拔掉。使用軟布或非金屬軟刷，去除充電器外部的污垢和油脂。請勿使用水或任何清潔劑。

## 選購配件



**警告：**由於非 STANLEY 所提供的配件未在本產品上進行過使用測試，在本產品上使用這些配件可能會導致危險。為降低傷害危險，在本產品上只應使用 STANLEY 所推薦的配件。

如需進一步瞭解適用配件的相關資訊，請洽詢當地代理商。

## 保護環境



分類收集。本產品必須與一般家庭廢物分開處置。

若您發現您的 STANLEY 產品需要進行替換，或您已經不再需要使用這些產品，請不要將它們與家庭廢物一起處置。請確保本產品可供分類收集。



分類收集用過的產品和包裝允許材料循環再生利用。重新使用循環利用的材料有助於防止環境污染，並減少原材料的需求。

當地法規可能要求由市政廢物回收點，或向您出售新產品的經銷商來提供將電子產品與家庭廢物分類收集的服務。



## 可充電電池組

本電池組使用壽命長，如無法完成理應輕鬆完成的工作時，必須為電池組充電。在使用壽命結束時，請妥善處置以保護我們的環境：

- 使電池完全放電，然後將它從工具中卸下。
- 鋰離子電池是可回收的。請將它們送往您的代理商或當地的回收站。所收集的電池組將會再循環利用或妥善處置。

## 附註

Stanley 的政策是持續改善我們的產品，因此，我們保留隨時修改產品規格的權利，恕不另行通知。

- 標準裝置和配件可能會根據不同的國家/地區而有所不同。
- 產品規格可能會根據不同的國家而有所不同。
- 並非所有的國家/地區都將提供完整的產品系列。如需各產品系列的供應情況，請聯絡您當地的 Stanley 代理商。

進口商:新加坡商百得電動工具(股)台灣分公司

地址:台北市士林區德行西路33號2樓

電話:02-28341741

總經銷商:永安實業股份有限公司

地址:新北市三重區新北大道二段137號

電話:02-29994633

## 技術資料

鋰電震動電鑽調扭起子機		SCH12	
最大電壓		12V Max	
空載轉速			
1 檔	min <sup>-1</sup>	0-400	
2 檔	min <sup>-1</sup>	0-1500	
最大扭矩	Nm	26	
功率輸出 (MWO)	W	180	
夾頭尺寸	mm	10	
最大鑽孔效能			
木材	mm	20	
砌磚	mm	8	
金屬	mm	10	
充電器		SC121	SC122
輸入電壓	V <sub>AC</sub>	110	110
輸出電壓	V <sub>DC</sub>	12	12
輸出電流 (DC)	A	1.25	1.25
大約充電時間	min	70(1.5Ah)	70(1.5Ah)
電池		SCB12S	
最大電壓		12V Max	
容量	Ah	1.5	
類型	鋰離子電池		

## Tujuan penggunaan

Bor Obeng SCH12 12V Max Li-Ion Stanley dirancang untuk aplikasi pengencangan dan pengeboran ringan.

## Petunjuk Keselamatan

### Peringatan Keselamatan Alat Listrik Umum



**PERINGATAN!** Baca seluruh petunjuk dan peringatan keselamatan. Kegagalan untuk mengikuti peringatan dan instruksi dapat mengakibatkan sengatan listrik, kebakaran, dan/atau cedera berat.

**SIMPAN SELURUH PERINGATAN DAN INSTRUKSI UNTUK RUJUKAN DI MASA DEPAN.** Istilah "alat listrik" dalam peringatan merujuk pada alat listrik beroperasi listrik induk (berkabel) atau alat listrik beroperasi baterai (nirkabel).

#### 1. Keselamatan area kerja

- a. **Jaga agar area kerja tetap bersih dan terang.** Area yang berantakan atau gelap berpotensi mengakibatkan kecelakaan.
- b. **Jangan mengoperasikan alat listrik di lingkungan yang mudah menimbulkan bahaya ledakan, seperti di tempat yang terdapat cairan, gas, atau debu yang mudah terbakar.** Alat listrik menimbulkan percikan api yang dapat menyulut debu atau asap.
- c. **Jauhkan anak-anak dan orang yang berada di sekitar, sewaktu mengoperasikan alat listrik.** Gangguan dapat menyebabkan Anda kehilangan kendali.

#### 2. Keselamatan kelistrikan

- a. **Steker perkakas listrik harus sesuai dengan soketnya. Jangan pernah memodifikasi steker dengan cara apa pun. Jangan gunakan steker adaptor apa pun dengan alat listrik yang dibumikan (grounded).** Steker yang tidak dimodifikasi dan stopkontak yang sesuai akan mengurangi risiko sengatan listrik.
- b. **Jagalah agar badan Anda tidak**

**bersentuhan dengan permukaan yang dibumikan, seperti pipa, radiator, kompor, dan kulkas.** Risiko sengatan listrik dapat meningkat jika tubuh Anda bersentuhan dengan permukaan yang dibumikan.

- c. **Jangan sampai alat listrik ini terkena hujan atau terpapar pada kondisi yang basah.** Air yang masuk ke alat listrik akan meningkatkan risiko sengatan listrik.
  - d. **Jangan menyalahgunakan kabel. Jangan sekali-kali menggunakan kabel untuk membawa, menarik, atau mencabut alat listrik. Jauhkan kabel dari panas, minyak, tepi tajam, atau komponen yang bergerak.** Kabel yang rusak atau terbelit meningkatkan risiko sengatan listrik.
  - e. **Bila mengoperasikan alat listrik di luar ruangan, gunakan kabel ekstensi yang sesuai untuk penggunaan di luar ruangan.** Menggunakan kabel yang sesuai untuk penggunaan di luar ruangan akan mengurangi risiko sengatan listrik.
  - f. **Jika penggunaan alat listrik di lokasi yang lembap tidak dapat dihindari, gunakan suplai yang terlindung oleh perangkat arus sisa (RCD).** Penggunaan RCD akan mengurangi risiko sengatan listrik.
- #### 3. Keselamatan diri
- a. **Tetap waspada, perhatikan apa yang Anda kerjakan dan gunakan akal sehat saat mengoperasikan perkakas listrik. Jangan mengoperasikan alat listrik bila Anda sedang lelah, atau berada di bawah pengaruh obat, alkohol, atau pengobatan.** Kelengahan sesaat saja ketika mengoperasikan alat listrik dapat menyebabkan cedera diri yang parah.
  - b. **Gunakan peralatan pelindung diri. Selalu kenakan alat pelindung mata.** Peralatan pelindung, seperti masker debu, sepatu keselamatan antiselip, helm proyek, atau pelindung telinga yang digunakan untuk kondisi yang sesuai akan mengurangi risiko cedera diri.
  - c. **Hindari menyalakan alat tanpa disengaja. Pastikan bahwa sakelar sudah dalam posisi mati sebelum menghubungkannya ke sumber listrik dan/atau baterai, mengambil, atau membawa alat.** Membawa alat listrik dengan jari Anda yang masih menempel pada sakelar atau



menghidupkan alat listrik yang sakelarnya masih menyala akan berpotensi mengakibatkan kecelakaan.

- d. **Lepaskan semua kunci setelan atau kunci pas sebelum menghidupkan alat listrik.** Kunci pas atau kunci yang dibiarkan terpasang pada komponen alat listrik yang berputar dapat mengakibatkan cedera diri.
- e. **Jangan menjangkau melampaui batas. Selalu jaga pijakan dan keseimbangan yang baik.** Hal ini memungkinkan Anda untuk mengendalikan alat listrik dengan lebih baik dalam situasi yang tidak terduga.
- f. **Kenakan pakaian yang sesuai. Jangan mengenakan pakaian longgar atau perhiasan. Jauhkan rambut, pakaian dan sarung tangan dari komponen yang bergerak.** Pakaian yang longgar, perhiasan, atau rambut panjang dapat tersangkut pada komponen yang bergerak.
- g. **Jika disediakan perangkat untuk sambungan fasilitas pengeluaran dan pengumpulan debu, pastikan alat ini dihubungkan dan digunakan dengan sesuai.** Penggunaan alat pengumpul debu dapat mengurangi bahaya yang ditimbulkan oleh debu.

#### 4. Penggunaan dan pemeliharaan alat listrik

- a. **Jangan menggunakan perkakas listrik dengan paksa. Gunakan alat listrik yang sesuai untuk aplikasi Anda.** Alat listrik yang tepat akan bekerja lebih baik dan aman pada tingkat kelajuan yang telah dirancang untuk alat itu.
- b. **Jangan gunakan alat listrik ini jika sakelar tidak dapat menghidupkan dan mematikan alat.** Alat listrik apa pun yang tidak dapat dikendalikan dengan sakelar adalah berbahaya dan harus diperbaiki.
- c. **Lepaskan stopkontak dari sumber listrik dan/atau baterai dari alat listrik sebelum melakukan penyetelan apa pun, mengganti aksesori, atau menyimpan alat listrik.** Tindakan pencegahan untuk keselamatan seperti itu akan mengurangi risiko menyalakan alat listrik secara tidak disengaja.
- d. **Simpan alat listrik yang tidak digunakan jauh dari jangkauan anak-anak, dan jangan membolehkan orang yang tidak memahami alat listrik atau petunjuk ini**

**untuk mengoperasikannya.** Alat listrik bisa berbahaya bila digunakan oleh pengguna yang tidak terlatih.

- e. **Rawat perkakas listrik. Lakukan pemeriksaan untuk mengetahui apakah ada komponen bergerak yang tidak sejajar atau bengkok, komponen yang patah, dan kondisi lainnya yang dapat memengaruhi pengoperasian perkakas listrik. Jika rusak, perbaiki alat listrik sebelum digunakan.** Banyak terjadi kecelakaan akibat alat listrik yang tidak terawat baik.
  - f. **Jaga ketajaman dan kebersihan alat pemotong.** Alat pemotong yang terawat dengan baik dengan mata potong yang tajam akan kecil kemungkinannya untuk macet serta lebih mudah untuk dikendalikan.
  - g. **Gunakan alat listrik, aksesori, dan mata bor, dsb., sesuai instruksi-instruksi ini, dengan memperhatikan persyaratan kerja dan jenis pekerjaan yang harus dilakukan.** Menggunakan alat listrik untuk pengoperasian yang berbeda dengan yang dimaksudkan akan mengakibatkan situasi yang membahayakan.
- #### 5. Penggunaan dan perawatan alat bertena- ga baterai
- a. **Isi ulang daya baterai hanya dengan pengisi daya yang ditetapkan oleh pabrik.** Pengisi daya yang cocok untuk satu tipe baterai dapat menimbulkan risiko kebakaran jika digunakan pada baterai lainnya.
  - b. **Gunakan alat listrik hanya dengan baterai yang telah ditentukan secara khusus.** Penggunaan baterai lainnya dapat menimbulkan risiko cedera dan kebakaran.
  - c. **Pada saat baterai tidak dipakai, jauhkan baterai dari benda logam seperti klip penjepit kertas, koin, kunci, paku, sekrup, atau benda logam kecil lainnya yang dapat membuat hubungan dari satu terminal dengan terminal lainnya.** Menghubungkan kedua terminal baterai dengan kabel secara tidak semestinya dapat mengakibatkan luka bakar atau kebakaran.
  - d. **Pemakaian yang salah bisa menyebabkan keluarnya cairan dari baterai; hindari kontak. Jika tidak sengaja tersentuh, bilas dengan air. Jika cairan mengenai mata, carilah juga bantuan medis.** Cairan

yang keluar dari baterai dapat menyebabkan iritasi atau luka bakar.

## 6. Servis

- a. Alat listrik sebaiknya diservis oleh teknisi yang berkualifikasi dan hanya menggunakan komponen pengganti yang persis sama.** Ini akan menjamin keselamatan alat terpelihara.

### Aturan Keselamatan Tambahan Khusus untuk Bor/Obeng

- **Gunakan pelindung telinga saat menggunakan bor tumbuk.** Paparan terhadap kebisingan dapat menyebabkan kehilangan pendengaran.
- **Gunakan pegangan tambahan, bila disertakan dengan alat ini.** Lepasnya kendali dapat menimbulkan cedera diri.
- **Pegang alat listrik pada permukaan pegangan berpenyekat saat melakukan pengoperasian di mana aksesoris pemotong dapat bersentuhan dengan kabel tersembunyi.** Aksesoris pemotong yang bersentuhan dengan kabel bertegangan listrik dapat mengalirkan arus listrik pada komponen logam perkakas listrik dan mengakibatkan sengatan listrik pada pengguna.

### Risiko-risiko lain

Sekalipun peraturan keselamatan terkait sudah diterapkan dan peralatan pengaman sudah digunakan, risiko-risiko lain tertentu tidak dapat dihindari.

Antara lain:

- Kerusakan indera pendengaran.
- Risiko cedera pribadi karena partikel-partikel yang beterbangan.
- Risiko luka bakar karena aksesoris menjadi panas selama operasi.
- Risiko cedera pribadi karena penggunaan berkepanjangan.

### LABEL PADA ALAT

Label pada alat Anda dapat memuat simbol-simbol berikut ini:



**PERINGATAN!** Untuk mengurangi risiko cedera, pengguna harus membaca

buku petunjuk.

### POSISI KODE TANGGAL

Kode Tanggal, yang juga mencantumkan tahun produksi, dicetak pada kerangka alat.

Contoh:

2015 XX JN  
Tahun pembuatan

### Petunjuk Keselamatan Penting untuk Semua Pengisi Daya Baterai

**SIMPAN PETUNJUK-PETUNJUK INI:** Buku petunjuk ini mencantumkan petunjuk keselamatan dan pengoperasian penting untuk pengisi daya baterai SC121.

- Sebelum menggunakan pengisi daya, baca seluruh petunjuk dan tanda peringatan pada pengisi daya, baterai, dan produk menggunakan baterai.



**PERINGATAN:** Bahaya sengatan listrik. Jaga agar tidak ada cairan masuk ke dalam pengisi daya. Ini dapat mengakibatkan sengatan listrik.



**PERHATIAN:** Bahaya terbakar. Untuk mengurangi risiko cedera, hanya lakukan pengisian daya untuk baterai STANLEY yang dapat diisi ulang daya. Jenis baterai lain dapat pecah, sehingga menyebabkan cedera diri dan kerusakan.



**PERHATIAN:** Anak-anak harus diawasi agar mereka tidak bermain-main dengan peralatan ini.

**PEMBERITAHUAN:** Dalam kondisi-kondisi tertentu, saat pengisi daya terhubung dengan catu daya, pengisi daya dapat korslet karena adanya benda asing. Benda-benda asing bersifat penghantar listrik semacam ini dapat berupa, namun tidak terbatas pada, debu dari pengasahan, serpihan logam, serat baja, kertas aluminium, atau tumpukan partikel-partikel logam, yang semuanya harus dijauhkan dari rongga-rongga pengisi daya. Selalu cabut pengisi daya dari catu daya bilamana tidak ada baterai dalam rongga. Cabut pengisi daya sebelum membersihkannya.

- **JANGAN berusaha mengisi daya baterai dengan pengisi daya apa pun lainnya selain yang disebutkan dalam buku**

**petunjuk ini.** Pengisi daya dan baterai dirancang khusus untuk digunakan bersama.

- **Pengisi daya ini tidak ditujukan untuk penggunaan apa pun lainnya selain mengisi daya baterai STANLEY yang dapat diisi daya ulang.** Penggunaan lain dapat mengakibatkan risiko kebakaran, sengatan listrik, atau kematian karena sengatan listrik.
- **Jangan paparkan pengisi daya pada hujan atau salju.**
- **Cabut steker, bukan kabel, pada saat melepas pengisi daya.** Ini akan mengurangi risiko kerusakan steker dan kabel listrik.
- **Pastikan letak kabel sudah aman agar tidak terinjak, menyebabkan tersandung, atau rentan rusak atau tertekan.**
- **Jangan gunakan kabel sambungan kecuali jika mutlak diperlukan.** Penggunaan kabel sambungan yang tidak tepat dapat mengakibatkan risiko kebakaran, sengatan listrik, atau kematian akibat sengatan listrik.
- **Jangan meletakkan benda apa pun di atas pengisi daya atau menempatkan pengisi daya di permukaan yang lunak yang mungkin menghalangi celah ventilasi dan mengakibatkan panas internal yang berlebihan.** Posisikan pengisi daya jauh dari sumber panas apa pun. Pengisi daya mendapatkan ventilasi melalui celah di bagian atas dan bagian bawah wadah.
- **Jangan mengoperasikan pengisi daya dengan kabel atau steker yang rusak — segera ganti.**
- **Jangan gunakan pengisi daya apabila telah terhantam keras, jatuh, atau rusak dengan cara apa pun.** Bawa ke pusat servis resmi.
- **Jangan bongkar pengisi daya; bawa ke pusat servis resmi bilamana membutuhkan servis atau reparasi.** Perakitan ulang yang keliru dapat mengakibatkan risiko sengatan listrik, kematian akibat sengatan listrik, atau kebakaran.
- Jika yang rusak adalah kabel catu daya, maka harus segera diganti oleh pabrik pembuat, agen servisnya, atau teknisi ahli serupa untuk mencegah bahaya apa pun.
- **Lepas pengisi daya dari stopkontak**

**sebelum dibersihkan. Ini akan mengurangi risiko sengatan listrik.**

Melepaskan baterai tidak dapat mengurangi risiko ini.

- **JANGAN PERNAH** menghubungkan 2 pengisi daya.
- **Pengisi daya dirancang untuk beroperasi pada daya listrik rumah standar. Jangan pernah gunakan pada voltase lain.** Ini tidak berlaku bagi pengisi daya kendaraan.

## SIMPAN PETUNJUK-PETUNJUK INI

### Pengisi daya

Pengisi daya baterai SC122 (SC121) menerima baterai Li-Ion 12V Max.

Pengisi daya ini tidak membutuhkan penyesuaian dan dirancang untuk dapat dioperasikan semudah mungkin.

### Prosedur Pengisian Daya (gambar 2)

1. Sambungkan pengisi daya (j) pada stop kontak yang sesuai sebelum memasukkan baterai.
2. Masukkan baterai (g) ke dalam pengisi daya. Lampu pengisian daya akan terus berkedip, menandakan bahwa proses pengisian daya sudah dimulai.
3. Lampu pengisian daya akan MENYALA terus-menerus sebagai indikasi bahwa pengisian daya sudah selesai. Kemasan sudah terisi daya penuh dan dapat digunakan sekarang, atau dibiarkan di dalam pengisi daya.

**CATATAN:** Untuk memastikan kinerja maksimum dan masa pakai baterai Li-Ion, isi ulang daya baterai sampai penuh sebelum pemakaian pertama.

### Proses Pengisian Daya

Lihat tabel di bawah ini untuk mengetahui status pengisian daya baterai.

Status pengisian daya	SC122
mengisi daya	berkedip hijau
terisi penuh	lampu hijau
baterai panas	berkedip merah
Baterai cacat	Kilat merah

## PENUNDAAN KEMASAN PANAS/DINGIN SC122(SC121)

Pengisi daya SC122(SC121) memiliki fitur penundaan panas/dingin. Ketika pengisi daya mendeteksi bahwa baterai panas, maka pengisi daya secara otomatis menunda pengisian daya sampai baterai telah menjadi dingin.

Ketika pengisi daya mendeteksi bahwa baterai dingin, maka pengisi daya secara otomatis menunda pengisian daya sampai baterai telah menjadi hangat.

Lampu merah akan terus berkedip, tapi lampu indikator kuning akan menyala selama operasi ini. Setelah baterai menjadi dingin, lampu kuning akan mati dan pengisi daya akan melanjutkan prosedur pengisian daya.

Alat Li-Ion Stanley dirancang dengan Sistem Perlindungan Elektronik yang akan melindungi baterai dari kelebihan beban, suhu yang terlalu panas, dan kotoran yang membandel.

Alat akan mati secara otomatis bilamana Sistem Perlindungan Elektronik mulai bekerja. Jika ini terjadi, maka tempatkan baterai Li-Ion pada pengisi daya sampai terisi daya penuh.

### HANYA BATERAI LI-ION

Baterai Li-Ion dirancang dengan Sistem Perlindungan Elektronik yang akan melindungi baterai dari kelebihan beban, suhu yang terlalu panas, dan kotoran yang membandel.

Alat akan mati secara otomatis bilamana Sistem Perlindungan Elektronik mulai bekerja. Jika ini terjadi, maka tempatkan baterai Li-Ion pada pengisi daya sampai terisi daya penuh.

## Petunjuk Keselamatan Penting untuk Semua Baterai

Saat memesan baterai pengganti, pastikan Anda menyebutkan nomor katalog dan voltase.

Baterai tidak sepenuhnya terisi di luar karton. Sebelum menggunakan baterai dan pengisi baterai, baca petunjuk keselamatan di bawah ini. Kemudian ikuti prosedur pengisian daya yang dijelaskan.

### Baca seluruh petunjuk

- **Jangan mengisi daya atau menggunakan baterai di lingkungan yang mudah menimbulkan bahaya ledakan, seperti di tempat yang terdapat cairan, gas, atau debu yang mudah terbakar.** Memasukkan atau melepaskan baterai dari pengisi daya

dapat membakar debu atau asap.

- **Jangan pernah memasukkan baterai ke dalam pengisi daya dengan paksa. Jangan memodifikasi baterai dengan cara apa pun untuk dapat dimasukkan ke dalam pengisi daya yang tidak sesuai, karena baterai dapat pecah dan mengakibatkan cedera diri yang berat.**
- Isi ulang daya baterai hanya menggunakan pengisi daya STANLEY .
- **JANGAN** perciki atau rendam dengan air atau cairan lain.
- **Jangan simpan atau pakai alat dan baterai di lokasi di mana suhu dapat mencapai atau melebihi 40°C (105°F) (seperti di bangsal luar atau bangunan logam pada musim panas).**



**PERINGATAN:** Jangan pernah berusaha membuka baterai untuk alasan apa pun. Jika kotak baterai retak atau rusak, jangan masukkan ke dalam pengisi daya. Jangan meremukkan, menjatuhkan, atau merusakkan baterai. Jangan gunakan baterai atau pengisi daya yang sudah terhantam keras, jatuh, terlindas, atau rusak dengan cara apa pun (misalnya, tertembus paku, terpukul palu, terinjak). Ini dapat mengakibatkan sengatan listrik atau kematian akibat sengatan listrik. Baterai yang rusak harus dikembalikan ke pusat layanan untuk didaur ulang.



**PERHATIAN:** Bila tidak sedang dipakai, tempatkan alat pada sisi sampingnya pada permukaan yang stabil agar tidak menyebabkan bahaya tersandung atau jatuh. Alat- alat dengan baterai besar dapat berdiri tegak pada baterai, namun mudah tersengol jatuh.

## PETUNJUK KESELAMATAN KHUSUS UNTUK LITIMUM ION (Li-Ion)

- **Jangan bakar baterai sekalipun rusak parah atau aus sama sekali.** Baterai dapat meledak jika terbakar. Baterai yang dibakar akan menimbulkan asap dan material beracun.
- **Jika isi baterai bersentuhan dengan kulit, segera cuci bagian yang terkena dengan sabun lembut dan air.** Apabila cairan baterai masuk ke mata, basuh mata terbuka dengan

air mengalir selama

15 menit atau sampai iritasi berhenti. Jika dibutuhkan penanganan medis, elektrolit baterai tersusun atas campuran karbonat organik cair dan garam litium.

- **Kandungan sel-sel baterai yang terbuka dapat mengakibatkan gangguan pernapasan.** Cari udara segar. Jika gejala tidak berubah, cari bantuan medis.



**PERINGATAN:** Bahaya terbakar. Cairan baterai dapat terbakar jika terkena percikan api atau lidah api.

## Pengangkutan

BATERAI STANLEY mematuhi semua peraturan pengiriman yang berlaku sebagaimana yang ditentukan oleh standar industri dan hukum yang meliputi Rekomendasi PBB tentang Transportasi Barang Berbahaya, Peraturan Barang Berbahaya International Air Transport Association (IATA), Peraturan Barang Berbahaya Kelautan Internasional (IMDG), dan Perjanjian Eropa mengenai Pengangkutan Internasional Barang Berbahaya lewat Darat (ADR). Sel-sel litium-ion dan baterai telah diuji untuk bagian 38.3 Rekomendasi PBB tentang Angkutan Manual Uji dan Kriteria Barang Berbahaya.

Dalam kebanyakan kasus, pengiriman baterai STANLEY akan dikecualikan dari yang diklasifikasikan sebagai bahan Berbahaya Kelas 9 yang sepenuhnya diatur. Secara umum, dua contoh yang memerlukan pengiriman Kelas 9 adalah:

1. Pengiriman melalui udara lebih dari dua baterai litium-ion STANLEY bila paket hanya berisi baterai (tanpa alat), dan
2. Kiriman apa pun yang berisi baterai litium-ion dengan nilai energi yang lebih besar dari 100 jam watt (Wh). Semua baterai litium-ion memiliki peringkat jam watt yang tertera pada kemasan.

Terlepas dari apakah pengiriman dianggap dikecualikan atau sepenuhnya diatur, pengirim bertanggung jawab untuk membaca peraturan terbaru untuk persyaratan pengemasan, pelabelan/penandaan, dan dokumentasi.

Pengangkutan baterai kemungkinan dapat menyebabkan kebakaran jika terminal baterai secara tidak sengaja bersentuhan dengan benda konduktif. Ketika mengangkat baterai, pastikan bahwa terminal baterai dilindungi dan diisolasi dengan baik dari material yang dapat bersentuhan dengannya dan menyebabkan arus pendek.

Informasi yang diberikan di bagian ini dari buku petunjuk ini diberikan dengan iktikad baik dan diyakini akurat pada saat dokumen dibuat. Namun, tidak ada jaminan, baik tersurat maupun tersirat, yang diberikan. Pembeli bertanggung jawab untuk memastikan bahwa kegiatannya sesuai dengan peraturan yang berlaku.

## Baterai

**TIPE** bateraiSCH12 beroperasi pada baterai 12V Max.

## Saran Penyimpanan

1. Tempat penyimpanan terbaik adalah tempat yang sejuk dan kering, jauh dari sinar matahari langsung dan suhu panas atau dingin berlebihan. Untuk kinerja dan masa pakai baterai optimum, simpan baterai pada suhu ruangan bilamana tidak digunakan.
2. Untuk penyimpanan jangka panjang, disarankan agar Anda menyimpan baterai yang terisi daya penuh di tempat yang sejuk dan kering, di luar pengisi daya, untuk hasil optimal.

**CATATAN:** Baterai tidak boleh disimpan dalam kondisi kosong tanpa diisi daya sama sekali. Baterai perlu diisi ulang daya sebelum digunakan.

## Label pada Pengisi Daya dan Baterai

Selain gambar-gambar yang digunakan dalam buku petunjuk ini, label-label pada pengisi daya dan baterai juga menunjukkan gambar-gambar berikut ini:



Baca buku petunjuk sebelum penggunaan.



Lihat **Data Teknis** untuk lama pengisian

untuk lama daya.



Pengisian daya baterai.



Baterai terisi.



Baterai rusak.



Penundaan kemasan panas/dingin.



Jangan bongkar dengan benda konduktif.



Jangan mengisi daya baterai yang rusak.



Jangan paparkan pada air.



Segera ganti kabel yang rusak.



Isi daya hanya antara 4 C dan 40 C.



Hanya untuk penggunaan dalam ruangan.



Buang baterai dengan hati-hati agar tidak merusak lingkungan.



Isi daya baterai STANLEY hanya menggunakan pengisi daya STANLEY yang ditentukan. Pengisian baterai selain baterai STANLEY yang ditetapkan dengan pengisi daya STANLEY dapat membuatnya meledak atau menyebabkan situasi berbahaya lainnya.



Jangan bakar baterai.

## Isi Kemasan

Kemasan memuat:

- 1 BOR PALU
- 1 Pengisi daya
- 2 Baterai (S2) atau 1 Baterai (S1)
- 1 Buku petunjuk

**CATATAN:** Baterai dan pengisi daya tidak disertakan dengan model-N.

- Periksa kemungkinan adanya kerusakan pada alat, komponen, atau aksesori yang bisa jadi terjadi selama transportasi.
- Ambil waktu untuk membaca seluruh isi buku petunjuk ini dan memahaminya sebelum pengoperasian.

## Penjelasan (gambar 1)



**PERINGATAN:** Jangan pernah memodifikasi alat listrik atau komponennya. Ini dapat mengakibatkan kerusakan atau cedera pribadi.

- a. Sakelar pemicu kecepatan variabel
- b. Tombol maju/mundur
- c. Cincin penyesuai torsi
- d. Pengatur roda gigi
- e. Gagang gerak tanpa tombol
- f. Tombol pelepas baterai
- g. Baterai
- h. Lampu kerja
- k. Bantalan fungsi

## TUJUAN PENGGUNAAN

BOR PALU ini dirancang untuk aplikasi pengencangan dan pengeboran ringan.

**JANGAN** gunakan dalam kondisi basah atau di dekat cairan maupun gas yang mudah terbakar.

BOR PALU ini adalah alat listrik profesional.

**JANGAN** biarkan anak-anak bersentuhan dengan alat ini. Dibutuhkan pengawasan bila alat ini digunakan oleh operator yang belum berpengalaman.

- Produk ini tidak ditujukan untuk penggunaan oleh orang (termasuk anak-anak) yang menderita kekurangan kemampuan fisik, sensorik, atau mental, atau kurang pengalaman, pengetahuan, atau keahlian, kecuali apabila mereka diawasi oleh orang yang bertanggung jawab atas keselamatan mereka. Anak-anak tidak boleh dibiarkan sendiri bermain dengan produk ini.

## Keselamatan Kelistrikan

Motor listrik dirancang hanya untuk satu voltase. Selalu periksa apakah voltase baterai sesuai dengan voltase yang tercantum pada papan tarif (rating plate). Selain itu, pastikan bahwa voltase pengisi daya Anda sesuai dengan voltase induk.



Pengisi daya STANLEY Anda berisolasi ganda sesuai dengan EN 60335; itu sebabnya kabel arde tidak diperlukan.

Bila kabel suplai rusak, harus diganti dengan kabel khusus yang disediakan oleh organisasi layanan STANLEY.

## Menggunakan Kabel Ekstensi

Kabel sambungan tidak semestinya digunakan, kecuali bila mutlak perlu. Gunakan kabel sambungan yang disetujui, yang sesuai untuk input daya pengisi daya Anda (lihat **Data Teknis**). Ukuran konduktor minimum 1 mm<sup>2</sup>; panjang maksimum 30 m.

Bila menggunakan gulungan kabel, selalu ulur kabel sepenuhnya.

## Perakitan dan penyesuaian



**PERINGATAN:** Sebelum merakit dan menyesuaikan, selalu lepaskan baterai lebih dulu. Selalu matikan alat sebelum memasukkan atau melepaskan baterai.



**PERINGATAN:** Gunakan hanya baterai dan pengisi daya STANLEY.

## Memasukkan dan Melepas Baterai dari Alat (gbr. 3)



**PERINGATAN:** Untuk mengurangi risiko cedera diri yang berat, matikan alat dan lepas baterai sebelum melakukan penyesuaian apa pun atau melepaskan/memasang pelengkap atau aksesori. Alat yang mendadak menyala dapat mengakibatkan cedera.

**CATATAN:** pastikan bahwa baterai Anda (g) telah terisi daya penuh.

### CARA MEMASANG BATERAI PADA PEGANGAN ALAT

1. Sejajarkan baterai dengan ruji-ruji di dalam pegangan alat.
2. Sorongkan baterai ke dalam pegangan alat dengan erat sampai Anda mendengar kunci terpasang klik pada posisinya.

### CARA MELEPASKAN BATERAI DARI ALAT

1. Tekan tombol pelepas (f) dan tarik kuat baterai keluar dari pegangan alat.
2. Masukkan baterai ke dalam pegangan daya sebagaimana dijelaskan dalam bagian pengisi daya buku petunjuk ini.

## Pengoperasian

### Petunjuk Penggunaan



**PERINGATAN:** Selalu patuhi petunjuk keselamatan dan peraturan yang berlaku.



**PERINGATAN:** Untuk mengurangi risiko cedera diri yang berat, matikan alat dan lepas baterai sebelum melakukan penyesuaian apa pun atau melepaskan/memasang pelengkap atau aksesori.

## Posisi Tangan yang Benar (gambar 1, 8)



**PERINGATAN:** Untuk mengurangi risiko cedera diri yang serius, **SELALU** gunakan posisi tangan yang tepat sesuai petunjuk gambar.



**PERINGATAN:** Untuk mengurangi risiko cedera diri yang serius, **SELALU** pegang dengan erat untuk mengantisipasi reaksi mendadak.

Posisi tangan yang tepat berarti kedua tangan pada pegangan utama (i).

## Sakelar Pemicu Kecepatan Variabel (gbr. 1)

Untuk menyalakan alat, tekan sakelar pemicu (a). Untuk mematikan alat, lepaskan tombol pemicu. Alat Anda diperlengkapi dengan rem. Gagang gerak akan berhenti segera setelah sakelar pemicu sepenuhnya dilepaskan.

Sakelar kecepatan variabel memungkinkan Anda memilih kecepatan terbaik untuk aplikasi tertentu. Semakin dalam Anda menekan sakelar pemicu, semakin cepat alat beroperasi. Untuk masa pakai alat maksimum, gunakan kecepatan variabel hanya untuk pembuatan lubang permulaan atau pengencangan.

**CATATAN:** Penggunaan terus-menerus dalam rentang kecepatan variabel tidak disarankan. Ini dapat merusak sakelar dan harus dihindari.

## Tombol Kendali Maju/Mundur (gbr. 1)

Tombol kendali maju/mundur (b) menentukan arah alat dan juga berfungsi sebagai tombol pengunci. Untuk memilih rotasi maju, lepaskan sakelar pemicu dan tekan tombol kendali maju/mundur pada sisi kanan alat.

Untuk memilih rotasi mundur, tekan tombol kendali maju/mundur pada sisi kiri alat. Posisi tengah tombol kendali mengunci alat dalam posisi mati. Saat mengubah posisi tombol kendali, pastikan bahwa pemicu sudah dilepaskan.



**CATATAN:** Saat pertama kali alat dijalankan setelah mengubah arah rotasi, Anda mungkin mendengar bunyi klik saat alat mulai bekerja. Ini normal dan tidak menunjukkan adanya masalah.

### Lampu kerja (gambar 1)

Terdapat lampu kerja (h) yang terletak di bawah bantalan penyetelan torsi (c). Lampu kerja akan aktif saat sakelar pemicu ditekan.

**CATATAN:** Lampu kerja dirancang untuk menerangi permukaan benda yang sedang dikerjakan dan tidak ditujukan untuk penggunaan sebagai lampu sorot.

### Bantalan Penyetelan Torsi (gambar 1)

Putar (k) ke simbol sekrup. Bantalan penyetelan torsi (c) ditandai dengan jelas menggunakan angka dan simbol mata bor. Bantalan harus diputar sampai pengaturan yang diinginkan terletak di bagian atas alat. Penunjuk disediakan di bantalan untuk menghilangkan pekerjaan menebak ketika memilih torsi pengikat. Semakin tinggi angka pada bantalan, maka semakin tinggi torsi dan semakin besar penjepit yang dapat dimasukkan. Untuk mengunci kopling untuk operasi pengeboran, pindahkan bantalan fungsi (k) ke posisi mata bor.

**CATATAN:** Saat menggunakan bor/obeng palu untuk lubang pengeboran, pastikan bahwa bantalan fungsi diatur sehingga angka bor sejajar dengan garis tengah di bagian atas alat. Kegagalan untuk melakukannya akan memungkinkan kopling terselip saat mencoba untuk mengebor.

### Roda Gigi Rentang Ganda (gambar 1, 4)

Dengan fitur rentang ganda dari obeng/bor Anda, Anda dapat mengatur roda gigi untuk fleksibilitas yang lebih besar.

Untuk memilih pengaturan torsi tinggi berkecepatan rendah, matikan alat dan biarkan berhenti. Geser pengatur roda gigi (d) ke depan (ke arah gagang gerak). Untuk memilih pengaturan torsi rendah berkecepatan tinggi, matikan alat dan biarkan berhenti. Geser pengatur roda gigi ke belakang (menjauh dari gagang gerak).

**CATATAN:** Jangan ubah roda gigi saat alat sedang berjalan. Jika Anda mengalami kesulitan mengubah roda gigi, pastikan bahwa pengatur roda gigi rentang ganda sepenuhnya ditekan ke depan atau sepenuhnya ditekan ke belakang.

### Gagang Gerek Lengan Tunggal Tanpa Kunci (gbr. 5)

Alat Anda memiliki gagang gerak tanpa kunci dengan satu lengan pemutar untuk pengoperasian gagang gerak dengan satu tangan. Untuk memasukkan mata bor atau aksesoris lainnya, ikuti langkah-langkah berikut.

1. Kunci pemicu dalam posisi MATI seperti yang dijelaskan sebelumnya.
2. Genggam lengan gagang gerak yang berwarna hitam dengan satu tangan dan gunakan tangan yang lain untuk mengamankan alat. Putar lengan berlawanan arah jarum jam cukup jauh untuk menerima aksesoris yang diinginkan.
3. Masukkan aksesoris sekitar 19 mm (3/4") ke dalam gagang gerak dan kencangkan dengan aman dengan memutar lengan gagang gerak searah jarum jam menggunakan satu tangan, sementara tangan yang lain memegang alat. Alat Anda dilengkapi dengan mekanisme penguncian poros otomatis. Ini memungkinkan Anda membuka dan menutup gagang gerak dengan satu tangan.

Untuk melepaskan aksesoris, ulangi langkah 2 di atas.



**PERINGATAN:** Jangan pernah mengencangkan mata bor (atau aksesoris apa pun) dengan cara memegang erat bagian depan gagang gerak dan menyalakan alat. Ini dapat mengakibatkan kerusakan gagang gerak dan cedera diri. Selalu kunci sakelar pemicu saat mengganti aksesoris.

Pastikan untuk mengencangkan gagang gerak dengan satu tangan pada lengan gagang gerak dan tangan yang lain memegang alat untuk pengencangan maksimal.

### PELEPASAN GAGANG GEREK (GAMBAR 6)

Putar bantalan penyetelan ke posisi "bor" dan pengatur roda gigi ke posisi 1 (kecepatan rendah). Kencangkan gagang gerak di sekitar ujung yang lebih pendek dari kunci L (tidak disertakan) dengan ukuran 6,35 mm (1/4") atau lebih besar. Menggunakan martil kayu atau benda serupa, pukul ujung yang lebih panjang searah jarum jam seperti yang ditunjukkan. Ini akan melonggarkan sekrup di dalam gagang gerak.

Buka tang gagang secara penuh, masukkan obeng (atau alat Torx jika diperlukan) ke bagian depan gagang di antara tang untuk memasukkan kepala sekrup. Lepaskan sekrup dengan memutar



searah jarum jam (ulir ke arah kanan). Tempatkan kunci L di gagang gerek dan kencangkan, seperti yang ditunjukkan pada Gambar 6. Menggunakan martil kayu atau benda serupa, pukul kunci berlawanan dengan arah jarum jam. Ini akan melonggarkan gagang gerek sehingga dapat membuka sekrup dengan tangan.

### PEMASANGAN GAGANG GEREK (GAMBAR 7)

Eratkan gagang gerek dengan tangan sejauh mungkin dan masukkan sekrup (ulir ke arah kanan). Kencangkan sekrup dengan aman. Kencangkan gagang gerek di sekitar ujung yang lebih pendek dari kunci L ukuran 6,35 mm (1/4") atau lebih besar (tidak disertakan), pukul ujung yang lebih panjang searah jarum jam dengan martil kayu seperti yang ditunjukkan. Kencangkan sekrup sekali lagi dengan memutar berlawanan dengan arah jarum jam.

### Operasi Bor



**PERINGATAN: Untuk mengurangi risiko cedera pribadi yang berat, matikan alat dan lepaskan dari sumber listrik sebelum melakukan penyesuaian apa pun atau melepaskan/memasang pelengkap atau aksesoris. peringatan: Untuk mengurangi risiko cedera diri, SELALU** pastikan bahwa bahan kerja sudah ditahan atau dijepit erat. Saat mengebor material tipis, gunakan balok kayu "penyangga" untuk mencegah rusaknya material.



Putar bantalan ke simbol mata bor untuk pengeboran. Pilih kecepatan/rentang torsi yang diinginkan menggunakan pengatur roda gigi untuk menyesuaikan kecepatan dan torsi ke operasi yang direncanakan.

1. Gunakan hanya mata bor yang tajam. Untuk KAYU, gunakan mata bor ulir, mata bor pipih, atau gergaji pelubang. Untuk LOGAM, gunakan mata bor ulir baja kecepatan tinggi (high-speed steel - HSS) atau gergaji pelubang.
2. Selalu beri penekanan dalam garis lurus dengan mata bor. Gunakan cukup tekanan untuk menjaga agar mata bor tidak

melenceng, namun jangan dorong terlalu kuat sampai motor macet atau mata bor rusak.

3. Pegang alat dengan erat menggunakan kedua tangan untuk mengendalikan kerja putaran bor.



**PERINGATAN:** Bor mungkin macet jika kelebihan beban yang menyebabkan lilitan yang mendadak. Selalu antisipasi macet. Pegang bor dengan erat menggunakan kedua tangan untuk mengendalikan kerja putaran bor dan menghindari cedera.

4. **JIKA BOR MACET**, biasanya karena dibebani berlebihan atau digunakan dengan tidak benar. **SEGERA LEPAS PEMICU**, lepaskan mata bor dari benda kerja, dan pastikan penyebab kemacetan. **JANGAN MENKLIK PEMICU BERULANG KALI UNTUK BERUSAHA MENYALAKAN BOR YANG MACET – INI DAPAT MERUSAK BOR.**
5. Untuk meminimalkan kemacetan atau kerusakan pada material, kurangi tekanan pada bor dan kendurkan mata bor melalui bagian pecahan lubang paling belakang.
6. Tetap jalankan motor saat menarik mata bor keluar dari lubang yang dibor. Ini akan membantu mencegah kemacetan.
7. Dengan bor kecepatan variabel, Anda tidak perlu membuat lubang tengah pada titik yang akan dibor. Gunakan kecepatan lambat untuk melubangi dan percepat dengan menekan pemacu lebih keras ketika lubang cukup dalam untuk dibor tanpa mata bor yang melompat-lompat keluar.

### Operasi Bor Palu (GBR. 4)

1. Ubah bantalan (k) ke simbol bor palu.
2. Pilih pengaturan kecepatan tinggi dengan menggeser pemilih ke depan (ke gagang gerek). Penting: Gunakan hanya mata bor berujung karbit atau batuan.
3. Lakukan pengeboran dengan daya secukupnya pada palu agar tidak terlalu lentu atau "timbul" dari mata bor. Terlalu banyak daya akan menyebabkan kecepatan pengeboran yang lebih lambat, pemanasan berlebih, dan laju pengeboran yang lebih rendah.
4. Bor lurus, dengan tetap menjaga mata bor di ujung kanan pada benda kerja. Jangan menggunakan tekanan samping pada mata bor ketika pengeboran karena akan

menyebabkan penyumbatan galur mata bor dan kecepatan pengeboran yang lebih lambat.

5. Ketika mengebor lubang yang dalam, jika kecepatan palu mulai menurun, tarik mata bor sebagian keluar dari lubang dengan alat yang masih berjalan untuk membantu membersihkan puing-puing dari lubang.

**CATATAN:** Aliran debu yang lancar dari lubang menunjukkan laju pengeboran yang tepat.

## Operasi sebagai Obeng

Pilih kecepatan/rentang torsi yang diinginkan menggunakan pengatur roda gigi rentang ganda di bagian atas dari alat untuk menyesuaikan kecepatan dan torsi operasi yang direncanakan.

Masukkan aksesoris pengencang yang diinginkan ke dalam gagang sama seperti cara memasukkan mata bor. Buat beberapa kali percobaan pada potongan atau bidang yang tak terlihat untuk menentukan posisi batang kopel yang tepat.

### KAPASITAS MAKSIMUM YANG DIREKOMENDASIKAN

	Rentang Rendah-1	Rentang Tinggi-2
Mata bor, Pengeboran Logam	6,00 mm	3,00 mm
Kayu, Pengeboran Datar	19,00 mm	12,00 mm
Gergaji Pelubang	19,00 mm	16,00 mm

## Pemeliharaan

Alat listrik STANLEY Anda telah dirancang untuk penggunaan jangka panjang dengan pemeliharaan minimal. Pengoperasian yang memuaskan secara terus-menerus bergantung pada cara pemeliharaan yang benar dan pembersihan alat secara teratur.



**PERINGATAN:** Untuk mengurangi risiko cedera diri yang berat, matikan alat dan lepas baterai sebelum melakukan penyesuaian apa pun atau melepaskan/memasang pelengkap atau aksesoris. Alat yang mendadak menyala dapat mengakibatkan cedera.

Pengisi daya dan baterai tidak dapat diservis. Tidak ada komponen yang dapat diservis di dalamnya.



## Pelumasan

Alat listrik Anda tidak membutuhkan pelumas tambahan.



## Pembersihan



**PERINGATAN:** Semprot ke luar kotoran dan debu pada bodi utama dengan udara kering sesering mungkin saat kotoran terlihat mengendap di dalam dan di sekitar ventilasi udara. Gunakan pelindung mata yang sesuai dan masker debu yang sesuai bilamana mengerjakan prosedur ini.



**PERINGATAN:** Jangan gunakan pelarut atau bahan kimia keras lainnya untuk membersihkan bagian alat yang tidak terbuat dari logam. Zat-zat kimia tersebut dapat merapuhkan material komponen-komponen ini. Gunakan kain yang dilembapkan hanya dengan air dan sabun yang lembut. Jangan sampai bagian dalam alat kemasukan air; jangan pernah rendam komponen alat dalam cairan.

## PETUNJUK PEMBERSIHAN PENGISI DAYA



**PERINGATAN:** Bahaya sengatan listrik. Lepaskan pengisi daya dari soket AC sebelum membersihkan. Kotoran dan gemuk dapat dihapus dari bagian luar pengisi daya menggunakan kain atau sikat non-logam yang lembut. Jangan gunakan air atau larutan pembersih apa pun.

## Petunjuk Pembersihan Pengisi Daya



**PERINGATAN:** Bahaya sengatan listrik. Lepaskan pengisi daya dari soket AC sebelum membersihkan. Kotoran dan gemuk dapat dihapus dari bagian luar pengisi daya

menggunakan kain atau sikat non-logam yang lembut. Jangan gunakan air atau larutan pembersih apa pun.

## Aksesori yang Dapat Dipilih



**PERINGATAN:** Berhubung aksesori-aksesori lain, di luar yang disediakan oleh STANLEY, belum pernah diuji coba menggunakan produk ini, maka penggunaan aksesori semacam itu dengan alat ini dapat berbahaya. Untuk mengurangi risiko cedera, gunakan hanya aksesori yang disarankan STANLEY dengan produk ini.

Tanyakan kepada dealer Anda untuk informasi selengkapnya seputar aksesori yang sesuai.

## Melindungi Lingkungan



Pengumpulan terpisah. Produk ini tidak boleh dibuang bersama limbah rumah tangga biasa.

Seandainya suatu hari Anda jumpai produk STANLEY Anda butuh diganti, atau tidak lagi berguna bagi Anda, jangan buang alat ini bersama limbah rumah tangga biasa. Pisahkan pembuangan produk ini.



Pengumpulan produk dan kemasan bekas secara terpisah memungkinkan material untuk didaur ulang dan digunakan lagi. Penggunaan kembali bahan yang didaur ulang akan membantu mencegah pencemaran lingkungan serta mengurangi kebutuhan akan bahan baku mentah.

Undang-undang setempat mungkin memfasilitasi pengumpulan produk-produk kelistrikan terpisah dari sampah rumah tangga, di tempat pembuangan sampah kota atau oleh pedagang ritel pada saat Anda membeli produk baru.



## Baterai yang Dapat Diisi Ulang

Baterai bermasa pakai panjang ini harus diisi ulang daya bilamana gagal menghasilkan cukup daya untuk melakukan pekerjaan-pekerjaan yang sebelumnya dapat dikerjakan dengan mudah. Pada akhir masa pakai teknisnya, buang baterai

dengan memperhitungkan perlindungan terhadap lingkungan:

- Kosongkan daya baterai, lalu lepaskan dari alat.
- Sel-sel Li-Ion dapat didaur ulang. Bawa ke dealer Anda atau pusat pendaurulangan setempat. Baterai yang terkumpul akan didaur ulang atau dibuang dengan benar.

## KETERANGAN

Kebijakan Stanley adalah salah satu peningkatan yang berkelanjutan pada produk kami, dan karenanya, kami berhak mengubah spesifikasi produk tanpa pemberitahuan sebelumnya.

- Perlengkapan dan aksesori standar mungkin akan berbeda menurut negara.
- Spesifikasi produk mungkin akan berbeda menurut negara.
- Pilihan produk lengkap mungkin tidak tersedia di semua negara. Hubungi dealer Stanley setempat Anda untuk ketersediaan produk.

## Data teknis

BOR PALU 10.8V Li-Ion		SCH12	
Voltase	$V_{DC}$	12V Max	
Kecepatan tanpa beban			
Gigi satu	mnt <sup>-1</sup>	0–400	
Gigi dua	mnt <sup>-1</sup>	0–1500	
Torsi maks	Nm	26	
Output daya (MW0)	W	180	
Kapasitas gagang gerak	mm	10	
Kapasitas pengeboran maksimum			
Kayu	mm	20	
Bata	mm	8	
Logam	mm	10	
PENGISI DAYA		SC121	SC122
Voltase Input	$V_{AC}$	220-240	220-240
Voltase Output	$V_{DC}$	22	12
Arus Output(DC)	A	1.25	1.25
Kisaran waktu isi daya	mnt	70(1.5Ah)	70(1.5Ah)
Baterai		SCB12S	
Voltase	$V_{DC}$	12V Max	
Kapasitas	Ah	1.5	
Tipe	Li-Ion		

## วัตถุประสงค์ในการใช้งาน

สว่าน/ไขควงไฟฟ้าไร้สาย Stanley SCH12 12V Max Li-Ion เครื่องนี้ออกแบบเพื่อการขันแน่นและการเจาะที่เป็นงานเบา

## ข้อปฏิบัติเพื่อความปลอดภัย

คำเตือนเพื่อความปลอดภัยทั่วไป  
สำหรับการใช้เครื่องมือไฟฟ้า

**คำเตือน!** โปรดอ่านคำเตือนและข้อปฏิบัติเพื่อความปลอดภัยทั้งหมด การไม่ปฏิบัติตามคำเตือนและข้อปฏิบัติเหล่านี้ อาจทำให้ถูกไฟฟ้าช็อต เกิดเพลิงไหม้ และ/หรือได้รับบาดเจ็บสาหัสได้

โปรดเก็บรักษาคำเตือนและข้อปฏิบัติทั้งหมดนี้ไว้เพื่อการอ้างอิงในภายหลัง

คำว่า “เครื่องมือไฟฟ้า” ในคำเตือน หมายถึง เครื่องมือไฟฟ้า (แบบมีสาย) ที่ทำงานผ่านแหล่งจ่ายไฟหลัก หรือเครื่องมือไฟฟ้า (แบบไร้สาย) ที่ทำงานผ่านแบตเตอรี่

## 1. ความปลอดภัยในบริเวณที่ทำงาน

- ก) พื้นที่ทำงานจะต้องสะอาดและมีแสงสว่างเพียงพอ บริเวณที่มีดหรือมีของวางระเกะระกะอาจทำให้เกิดอุบัติเหตุได้
- ข) ห้ามใช้เครื่องมือไฟฟ้าในบริเวณที่อาจเกิดการระเบิด เช่น เมื่อมีของเหลว แก๊ส หรือ ฝุ่นระลอกทั่วไป เครื่องมือไฟฟ้าจะทำให้เกิดประกายไฟที่อาจทำให้เกิดระลอกไฟหรือเปลวไฟขึ้นได้
- ค) ระวังไม่ให้เด็กเล็กและคนเดินผ่านไปมาเข้าใกล้ในขณะที่ใช้งานเครื่องมือไฟฟ้า สิ่งรบกวนอาจทำให้คุณเสียสมาธิได้

## 2. ความปลอดภัยทางไฟฟ้า

- ก) ปลั๊กไฟของเครื่องต้องเป็นชนิดเดียวกับตัวรับ ห้ามตัดแปลงปลั๊กไฟมาด้วยวิธีใด ห้ามใช้ปลั๊กอะแดปเตอร์ใดๆ กับเครื่องมือไฟฟ้าที่ต่อสายดิน (ลงกราวด์) ปลั๊กที่ไม่มีการตัดแปลงและตัวรับชนิดเดียวกันจะช่วยลดความเสี่ยงจากการถูกไฟฟ้าช็อต
- ข) หลีกเลี่ยงการสัมผัสพื้นผิวที่ต่อสายดินหรือลงกราวด์ เช่น ท่อ เครื่องทำความร้อน เตาหุงต้ม และตู้เย็น มีความเสี่ยงเพิ่มขึ้นที่จะถูกไฟฟ้าช็อต หากร่างกายของคุณเป็นสื่อเชื่อมต่อลงดินหรือลงกราวด์
- ค) อย่าให้เครื่องมือไฟฟ้าถูกฝนหรือเปียกน้ำ น้ำที่เข้าเครื่องมือไฟฟ้าจะทำให้มีความเสี่ยงในการ

ถูกไฟฟ้าช็อตเพิ่มขึ้น

- ง) ห้ามใช้สายไฟผิดวัตถุประสงค์ ห้ามใช้สายไฟเพื่อเกาหัว ดึง หรือถอดปลั๊กเครื่องมือไฟฟ้า เก็บสายไฟให้ห่างจากความร้อน น้ำมัน ของมีคม หรือ ชิ้นส่วนที่เคลื่อนที่ สายไฟที่ชำรุดหรือพันกันเป็นการเพิ่มความเสี่ยงจากการถูกไฟฟ้าช็อต
- จ) เมื่อใช้เครื่องมือไฟฟ้านอกอาคาร ให้ใช้สายต่อพ่วงที่เหมาะสมสำหรับการใช้งานนอกอาคาร การใช้สายไฟที่เหมาะสมสำหรับการใช้งานนอกอาคารจะช่วยลดความเสี่ยงต่อการเกิดไฟฟ้าช็อต
- ฉ) หากไม่สามารถหลีกเลี่ยงการใช้เครื่องมือไฟฟ้าในบริเวณที่ชื้นและได้ ให้ใช้อุปกรณ์ป้องกันไฟฟ้าสะสม (RCD) ที่จัดให้ การใช้ RCD จะช่วยลดความเสี่ยงจากการถูกไฟฟ้าช็อต

## 3. ความปลอดภัยส่วนบุคคล

- ก) ดึงตัวและมีสมาธิกับสิ่งที่คุณกำลังทำ รวมทั้งใช้สามัญสำนึกในขณะที่กำลังใช้งาน เครื่องมือไฟฟ้า ห้ามใช้เครื่องมือไฟฟ้าในขณะที่คุณกำลังเหนื่อยหรือได้รับอิทธิพลจากยา แอลกอฮอล์ หรือการรักษาบางอย่าง การขาดความระมัดระวังในการใช้เครื่องมือไฟฟ้าแม้ชั่วขณะหนึ่งอาจทำให้บาดเจ็บสาหัสได้
- ข) ใช้อุปกรณ์คุ้มครองความปลอดภัยส่วนบุคคลสวมอุปกรณ์ป้องกันดวงตาเสมอ อุปกรณ์ป้องกัน เช่น หน้ากากกันฝุ่น รองเท้านิรภัยกันส้น หมวกนิรภัย หรืออุปกรณ์ป้องกันเสียงดังสำหรับสภาพที่เหมาะสมจะช่วยลดอาการบาดเจ็บทางร่างกาย
- ค) ปิดกั้นเครื่องเปิดทำงานโดยไม่ตั้งใจ สวิตช์ต้องอยู่ในตำแหน่งปิดก่อนที่จะเสียบปลั๊กของเครื่องเข้ากับแหล่งจ่ายไฟ และ/หรือ แบตเตอรี่ หรือก่อนยกหรือหัวเครื่องมือ ยกเครื่องมือไฟฟ้าในขณะที่นิ้วอยู่ที่สวิตช์ หรือใช้เครื่องมือไฟฟ้าที่สวิตช์เปิดอยู่ อาจทำให้เกิดอุบัติเหตุได้
- ง) ถอดกุญแจปรับตั้งหรือประแจออกก่อนเปิดสวิตช์เครื่องมือไฟฟ้า ประแจหรือกุญแจที่เสียบค้างอยู่ในชิ้นส่วนที่หมุนได้ของเครื่องมือไฟฟ้าอาจทำให้เกิดการบาดเจ็บได้
- จ) ห้ามยืนเขย่งเท้าขณะใช้เครื่อง ควรยืนในท่าที่เหมาะสมและสมดุลตลอดเวลา เพื่อช่วยในการควบคุมเครื่องมือไฟฟ้าได้ดียิ่งขึ้น ในสถานการณ์ที่ไม่คาดคิด
- ฉ) แต่งกายให้เหมาะสม ห้ามสวมเสื้อผ้าหลวมหรือใส่เครื่องประดับ รวมผม เสื้อผ้า และถุงมือให้ห่างจากชิ้นส่วนที่กำลังหมุน เสื้อผ้าที่หลวมหรือยาวรุ่มร่าม เครื่องประดับ หรือผมที่ยาวอาจเข้าไปพันกับชิ้นส่วนที่กำลังหมุน

ข) หากมีอุปกรณ์สำหรับดูดและเก็บฝุ่น ต้องตรวจสอบให้แน่ใจว่าได้เชื่อมต่อและใช้งานอุปกรณ์นั้นอย่างเหมาะสม การใช้อุปกรณ์เก็บฝุ่นจะช่วยลดอันตรายที่เกี่ยวข้องกับฝุ่นได้

#### 4. การใช้และการดูแลรักษาเครื่องมือไฟฟ้า

ก) ห้ามฝืนใช้เครื่องมือไฟฟ้า เลือกใช้เครื่องมือไฟฟ้าที่ถูกต้องตรงกับลักษณะการใช้งานของคุณ เครื่องมือไฟฟ้าที่ถูกต้องย่อมทำงานได้ดีกว่าและปลอดภัยกว่า เมื่อใช้งานตามพิกัดที่เครื่องมือได้รับการออกแบบมา

ข) ห้ามใช้เครื่องมือไฟฟ้าถ้าสวิตช์เปิดปิดเครื่องไม่ทำงาน เครื่องมือไฟฟ้าที่ไม่สามารถควบคุมผ่านสวิตช์ได้ ถือว่ามีความอันตรายและต้องส่งซ่อม

ค) ถอดปลั๊กของเครื่องมือไฟฟ้าออกจากแหล่งจ่ายไฟ และ/หรือ แบตเตอรี่ก่อนทำการปรับแต่ง เปลี่ยนอุปกรณ์เสริม หรือจัดเก็บ มาตรการเพื่อความปลอดภัยเชิงการป้องกันนี้จะช่วยลดความเสี่ยงในการเปิดเครื่องให้ทำงานโดยไม่ตั้งใจ

ง) เก็บเครื่องมือไฟฟ้าที่ไม่ใช้งานไว้ในหิ้งมือเด็ก และไมอนุญาตให้บุคคลที่ไม่คุ้นเคยกับเครื่องมือไฟฟ้าหรือคำแนะนำเหล่านี้เป็นผู้ใช้เครื่องมือ เครื่องมือไฟฟ้าจะเป็นอันตรายหากอยู่ในมือผู้ใช้ที่ไม่มีความชำนาญ

จ) บำรุงรักษาเครื่องมือไฟฟ้า ตรวจสอบว่าชิ้นส่วนที่เคลื่อนที่ได้มีการวางในตรงแนวหรือติดตั้งหรือไม่ มีชิ้นส่วนที่แตกหัก และสภาพอื่นใดที่อาจส่งผลกระทบต่อการทำงานของเครื่องมือไฟฟ้าหรือไม่ หากชำรุดเสียหาย ให้นำเครื่องมือไปส่งซ่อมก่อนนำมาใช้ อุบัติเหตุจำนวนมากเกิดจากการดูแลรักษาเครื่องมือไฟฟ้าไม่ได้พอ

ฉ) เครื่องมือตัดต้องคมและสะอาดอยู่เสมอ เครื่องมือตัดที่ได้รับการดูแลรักษาอย่างถูกต้อง และมีขอบตัดคม จะมีปัญหาตัดน้อย และควบคุมได้ง่ายกว่า

ช) ใช้เครื่องมือไฟฟ้า อุปกรณ์เสริมและชุดอุปกรณ์ต่างๆ ให้สอดคล้องกับคำแนะนำเหล่านี้และตรงตามวัตถุประสงค์การใช้งานของเครื่องมือไฟฟ้าแต่ละชนิด โดยที่จารณาถึงสภาพการทำงานและงานที่ทําเป็นสำคัญ การใช้เครื่องมือไฟฟ้าทำงานอื่นนอกเหนือจากที่กำหนดไว้อาจทำให้เกิดอันตรายได้

#### 5. การใช้และการดูแลรักษาแบตเตอรี่

ก) ชาร์จแบตเตอรี่ด้วยเครื่องชาร์จที่ผู้ผลิตแนะนำเท่านั้น เครื่องชาร์จที่เหมาะสมกับแบตเตอรี่แบบหนึ่งอาจทำให้เกิดไฟไหม้ได้ถ้านำมาใช้กับแบตเตอรี่อีกแบบหนึ่ง

ข) ใช้เครื่องมือไฟฟ้าเฉพาะกับก้อนแบตเตอรี่ที่ออกแบบมาเป็นพิเศษเท่านั้น การใช้แบตเตอรี่

แบบอื่นอาจทำให้เกิดการบาดเจ็บหรือเกิดไฟไหม้ได้

ค) เมื่อไม่ได้ใช้ก้อนแบตเตอรี่ ให้เก็บออกจากจากรัดอื่นๆ ที่เป็นโลหะ เช่น คลิปหนีบกระดาษ เหรียญ กุญแจ เข็ม สกรูหรือวัตถุขนาดเล็กอื่นๆ ที่มาจากโลหะที่อาจเชื่อมต่อจากขั้วหนึ่งไปอีกขั้วหนึ่ง การลัดวงจรบริเวณขั้วแบตเตอรี่อาจทำให้เกิดรอยไหม้หรือไฟไหม้ได้

ง) เมื่ออยู่ภายใต้สภาวะที่ไม่เหมาะสมอาจมีของเหลวไหลออกมาจากแบตเตอรี่ ให้หลีกเลี่ยงการสัมผัสกับของเหลวนี้ หากบังเอิญสัมผัสโดยไม่ตั้งใจ ให้ล้างด้วยน้ำปริมาณมาก หากของเหลวกระเด็นเข้าตา ควรรีบไปพบแพทย์ ของเหลวที่ออกมาจากแบตเตอรี่อาจทำให้เกิดอาการระคายเคืองหรือรอยไหม้ได้

#### 6. การบริการ

ก) ให้ช่างซ่อมที่มีความเชี่ยวชาญเป็นผู้ซ่อมเครื่องมือ และใช้อะไหล่แท้เท่านั้น ซึ่งจะช่วยให้อายุการใช้งานได้ยาว เครื่องมือไฟฟ้ายังมีความปลอดภัยอยู่

กฎเกณฑ์ด้านความปลอดภัยเฉพาะเพิ่มเติมสำหรับส่วนไขควงไฟฟ้า

- สวมใส่อุปกรณ์ป้องกันเสียงดังเมื่อทำงานเจาะกระแทก การอยู่ใกล้เสียงดังมากๆ อาจทำให้สูญเสียความสามารถในการได้ยิน
- ใช้มือจับเสริม หากให้หม่าพร้อมกับเครื่อง การสูญเสียการควบคุมเครื่องอาจทำให้ได้รับบาดเจ็บได้
- จับเครื่องมือไฟฟ้าตรงพื้นผิวส่วนที่ใช้จับซึ่งมีฉนวนป้องกันเท่านั้น เมื่อต้องใช้งานเครื่องในบริเวณที่อุปกรณ์เสริมสำหรับการตัดอาจสัมผัสถูกสายไฟที่ซ่อนอยู่ได้ อุปกรณ์เสริมสำหรับงานตัดที่สัมผัสถูกสายไฟ "ที่มีไฟฟ้า" อาจทำให้ส่วนที่เป็นโลหะของเครื่องที่ถูกสัมผัส "มีไฟฟ้า" และทำให้ผู้ใช้เครื่องถูกไฟฟ้าช็อตได้

ความเสี่ยงอื่น ๆ ที่ยังมีอยู่

แม้จะปฏิบัติตามข้อกำหนดด้านความปลอดภัยที่เกี่ยวข้องและใช้อุปกรณ์เสริมแล้วก็ตาม แต่ก็ไม่สามารถหลีกเลี่ยงความเสี่ยงบางอย่างได้

ความเสี่ยงเหล่านั้นได้แก่:

- ความบกพร่องในการได้ยินเสียง
- ความเสี่ยงที่จะได้รับบาดเจ็บจากเศษชิ้นงานที่ปลิว
- ความเสี่ยงที่จะเกิดรอยไหม้เนื่องจากอุปกรณ์เสริมที่ร้อนขึ้นในระหว่างใช้งาน
- ความเสี่ยงที่จะได้รับบาดเจ็บเนื่องจากการใช้งานเป็นเวลานาน

## ป้ายสัญลักษณ์บนเครื่องมือ

ป้ายบนเครื่องมือของคุณอาจมีสัญลักษณ์ดังต่อไปนี้:



**คำเตือน!** เพื่อลดความเสี่ยงต่อการบาดเจ็บ ผู้ใช้ต้องอ่านคู่มือการใช้งานเล่มนี้

## ตำแหน่งของรหัสวันที่

รหัสวันที่ ซึ่งรวมถึงปีที่ผลิต จะพิมพ์อยู่บนตัวเครื่อง

ตัวอย่างเช่น:

2015 XX JN  
ปีที่ผลิต

คำแนะนำเพื่อความปลอดภัยที่สำคัญ  
สำหรับเครื่องชาร์จแบตเตอรี่ทุกชนิด

เก็บคำแนะนำเหล่านี้ไว้: คู่มือนี้ประกอบด้วยคำแนะนำความปลอดภัยและการใช้งานที่สำคัญสำหรับเครื่องชาร์จแบตเตอรี่ SC121

- ก่อนใช้งานเครื่องชาร์จ โปรดอ่านคำแนะนำและสัญลักษณ์เตือนทั้งหมดบนเครื่องชาร์จ แบตเตอรี่ และผลิตภัณฑ์ที่ใช้แบตเตอรี่



**คำเตือน:** อันตรายจากการถูกไฟฟ้าช็อต อย่าให้มีของเหลวเข้าไปภายในเครื่องชาร์จ เพราะอาจทำให้เกิดไฟฟ้าช็อต



**ข้อควรระวัง:** อันตรายจากไฟไหม้ เพื่อลดความเสี่ยงของการเกิดการบาดเจ็บ โปรดใช้แบตเตอรี่แบบชาร์จซ้ำได้ของ STANLEY เท่านั้น แบตเตอรี่ชนิดอื่นๆ อาจระเบิดทำให้เกิดการบาดเจ็บและความเสียหายได้



**ข้อควรระวัง:** เด็กควรได้รับการควบคุมดูแลเพื่อให้แน่ใจว่าเด็กจะไม่เล่นเครื่องมือ

**ข้อสังเกต:** ในบางสถานการณ์ ระหว่างที่เครื่องชาร์จเสียบปลั๊กอยู่ อาจมีวัตถุแปลกปลอมเข้าไปภายในเครื่องชาร์จและทำให้ขั้วชาร์จไฟลัดวงจรได้ อย่าให้มีวัตถุแปลกปลอมที่มีคุณสมบัตินำไฟฟ้า เช่น ฝุ่นผงจากการเจียร เศษโลหะ ฝอยเหล็ก อะลูมิเนียมพอยล์ หรือการสะสมตัวของอนุภาคโลหะ อยู่ในช่องใส่แบตเตอรี่ของเครื่องชาร์จ และถอดปลั๊กเครื่องชาร์จเสมอเมื่อไม่มีแบตเตอรี่อยู่ภายในช่องใส่รวมทั้งถอดปลั๊กเครื่องชาร์จทุกครั้งก่อนทำความสะอาด

- อย่าชาร์จแบตเตอรี่ด้วยด้วยเครื่องชาร์จเครื่องอื่นๆ นอกเหนือจากเครื่องชาร์จที่ระบุในคู่มือเล่มนี้โดยเด็ดขาด เครื่องชาร์จและแบตเตอรี่ได้รับการออกแบบมาให้ใช้งานร่วมกันโดยเฉพาะ
- เครื่องชาร์จนี้ไม่ได้ออกแบบมาสำหรับการใช้งานอื่นใดนอกเหนือจากการชาร์จแบตเตอรี่ที่

ชาร์จใหม่ได้ตามที่ STANLEY ระบุไว้ การนำไปใช้งานอื่นนอกเหนือจากนี้อาจเสี่ยงต่อการเกิดเพลิงไหม้ ไฟฟ้าช็อต หรืออันตรายจากไฟฟ้าจนถึงแก่ชีวิตได้

- อย่าให้เครื่องชาร์จถูกฝนหรือหิมะ
- ดึงปลั๊กเครื่องชาร์จที่หัวปลั๊กแทนการดึงที่สายไฟ เมื่อจะถอดปลั๊กเครื่องชาร์จ วิธีนี้จะช่วยลดความเสี่ยงที่ปลั๊กและสายไฟจะชำรุดเสียหายได้
- ตรวจสอบให้แน่ใจว่าสายไฟต้องอยู่ในตำแหน่งที่จะไม่ถูกเหยียบ ตะ สะดุด มีอะน็อนอาจก่อให้เกิดความเสียหายหรือความเครียดในสายไฟได้
- ห้ามใช้สายต่อพ่วงโดยเด็ดขาด เว้นแต่มีความจำเป็นอย่างหลีกเลี่ยงไม่ได้ การใช้สายต่อพ่วงที่ไม่เหมาะสมอาจทำให้เกิดไฟไหม้ ไฟฟ้าช็อต หรืออันตรายจากไฟฟ้าจนถึงแก่ชีวิตได้
- อย่าวางวัตถุใดๆ บนเครื่องชาร์จหรือวางเครื่องชาร์จไว้บนพื้นผิวอ่อนนุ่มที่อาจปิดกั้นช่องระบายอากาศและทำให้เกิดความร้อนภายในที่มากเกินไป วางเครื่องชาร์จในตำแหน่งที่ห่างจากแหล่งกำเนิดความร้อนใดๆ เครื่องชาร์จมีกระเปาะความร้อนผ่านทางช่องที่อยู่ด้านบนและด้านล่างของตัวเครื่อง
- ห้ามใช้งานเครื่องชาร์จที่มีสายไฟหรือปลั๊กชำรุดเสียหาย ให้เปลี่ยนใหม่ทันที
- ห้ามใช้งานเครื่องชาร์จที่ถูกกระแทกอย่างรุนแรง ตก หรือได้รับความเสียหายรูปแบบใดๆ ก็ตาม ให้นำเครื่องชาร์จดังกล่าวไปยังศูนย์บริการที่ได้รับอนุญาต
- ห้ามถอดชิ้นส่วนเครื่องชาร์จเอง โปรดนำเครื่องชาร์จไปยังศูนย์บริการที่ได้รับอนุญาตเมื่อจำเป็นต้องซ่อมแซมหรือรับบริการ การประกอบเครื่องกลับดั้งเดิมอย่างไม่ถูกต้องอาจเสี่ยงต่อการถูกไฟฟ้าช็อต อันตรายจากไฟฟ้าจนถึงแก่ชีวิต หรือเกิดไฟไหม้ได้
- ในกรณีที่สายไฟของตัวเครื่องชำรุดเสียหายสายไฟดังกล่าวต้องได้รับการเปลี่ยนโดยผู้ผลิต หรือตัวแทนศูนย์บริการของผู้ผลิต หรือบุคคลที่มีคุณสมบัติเทียบเท่า เพื่อหลีกเลี่ยงอันตรายที่อาจเกิดขึ้นได้
- ถอดปลั๊กของเครื่องชาร์จทุกครั้งก่อนทำความสะอาด การทำเช่นนี้จะช่วยลดความเสี่ยงจากการถูกไฟฟ้าช็อต การถอดก่อนแบตเตอรี่ออกจะไม่ทำให้ความเสี่ยงนี้ลดลง
- ห้าม เชื่อมต่อเครื่องชาร์จ 2 เครื่องเข้าด้วยกันเด็ดขาด
- เครื่องชาร์จได้รับการออกแบบให้ใช้งานกับไฟบ้านทั่วไป ห้ามนำเครื่องชาร์จไปใช้กับแรงดันไฟอื่นๆ ทั้งนี้รวมถึงเครื่องชาร์จสำหรับใช้ในรถยนต์

เก็บคำแนะนำเหล่านี้ไว้

## เครื่องชาร์จ

เครื่องชาร์จ SC122(SC121) รองรับแบตเตอรี่ Li-Ion 12V Max

เครื่องชาร์จนี้สามารถใช้งานได้โดยไม่ต้องปรับแต่ง และได้รับการออกแบบมาเพื่อให้ใช้งานง่ายที่สุด

### ขั้นตอนการชาร์จ (รูป 2)

1. เสียบปลั๊กเครื่องชาร์จ (j) เข้ากับเต้ารับที่เหมาะสมก่อนใส่ก้อนแบตเตอรี่ลงไป
2. ใส่ก้อนแบตเตอรี่ (g) ลงในเครื่องชาร์จ ไฟสีแดง (กำลังชาร์จ) จะกะพริบต่อเนื่องเพื่อแสดงว่ากระบวนการชาร์จเริ่มต้นแล้ว
3. ถ้าการชาร์จเสร็จสิ้นไฟสีแดงนี้จะดับสว่างต่อเนื่อง แบตเตอรี่จะได้รับการประจุไฟจนเต็ม และสามารถนำไปใช้ได้เลย หรืออาจปล่อยให้ในเครื่องชาร์จก็ได้

**หมายเหตุ:** เพื่อให้แบตเตอรี่ Li-Ion มีประสิทธิภาพเต็มที่และอายุการใช้งานสูงสุด ให้ชาร์จแบตเตอรี่ให้เต็มก่อนใช้งานครั้งแรก

### กระบวนการชาร์จ

โปรดดูสถานะการชาร์จของแบตเตอรี่จากตารางด้านล่าง

สถานะของการชาร์จ	SC122
กำลังชาร์จ	ไฟกะพริบ สีเขียว
ชาร์จเต็มแล้ว	ไฟสีเขียว
แบตเตอรี่รอน	ไฟกะพริบ สีแดง
แบตเตอรี่ขาด	ไฟแดงกะพริบ

### หน่วงเวลาเนื่องจากแบตเตอรี่รอน/เย็น SC122(SC121)

เมื่อเครื่องชาร์จตรวจพบว่าแบตเตอรี่รอน เครื่องจะหน่วงเวลาการชาร์จโดยอัตโนมัติจนกว่าแบตเตอรี่จะเย็นลง

เมื่อเครื่องชาร์จตรวจพบว่าแบตเตอรี่เย็น เครื่องจะหน่วงเวลาการชาร์จโดยอัตโนมัติจนกว่าแบตเตอรี่จะอุ่น

ไฟสีแดงจะยังคงกะพริบต่อไป แต่ไฟเตือนสีเหลืองจะดับสว่างระหว่างการทำงานในช่วงนี้ เมื่อแบตเตอรี่เย็นลงแล้ว ไฟสีเหลืองจะดับ และเครื่องชาร์จจะเริ่มชาร์จต่อไป

เครื่องมือ Stanley Li-Ion ได้รับการออกแบบให้มาพร้อมกับระบบป้องกันอิเล็กทรอนิกส์ (Electronic Protection System) ซึ่งจะปกป้องแบตเตอรี่จากการโอเวอร์โหลด ความร้อนสูงเกิน หรือการคายประจุจนเกือบหมด

เครื่องมือจะปิดโดยอัตโนมัติเมื่อระบบป้องกันอิเล็กทรอนิกส์ทำงาน หากเกิดเหตุการณ์ดังกล่าวขึ้นให้นำแบตเตอรี่ Li-Ion ไปวางชาร์จที่เครื่องชาร์จจนกระทั่งเต็ม

### เฉพาะแบตเตอรี่ LI-ION เท่านั้น

แบตเตอรี่ Li-Ion ได้รับการออกแบบให้มาพร้อมกับระบบป้องกันอิเล็กทรอนิกส์ (Electronic Protection System) ซึ่งจะปกป้องแบตเตอรี่จากการโอเวอร์โหลด ความร้อนสูงเกิน หรือการคายประจุจนเกือบหมด

เครื่องมือจะปิดโดยอัตโนมัติเมื่อระบบป้องกันอิเล็กทรอนิกส์ทำงาน หากเกิดเหตุการณ์ดังกล่าวขึ้นให้นำแบตเตอรี่ Li-Ion ไปวางชาร์จที่เครื่องชาร์จจนกระทั่งเต็ม

### คำแนะนำเพื่อความปลอดภัยที่สำคัญสำหรับแบตเตอรี่ทุกชนิด

เมื่อจะสั่งซื้อแบตเตอรี่ก่อนใหม่ ให้ระบุรหัสสินค้าและแรงดันไฟฟ้า

แบตเตอรี่ใหม่ที่เพิ่งแกะจากกล่องยังไม่ได้รับการชาร์จไฟให้เต็ม ก่อนใช้งานแบตเตอรี่และเครื่องชาร์จ โปรดอ่านคำแนะนำเพื่อความปลอดภัยด้านล่าง แล้วทำตามขั้นตอนการชาร์จที่วางไว้

#### อ่านคำแนะนำทั้งหมด

- ห้ามชาร์จหรือใช้แบตเตอรี่ในบริเวณที่อาจเกิดการระเบิด เช่น ในบริเวณที่มีของเหลว แก๊ส หรือฝุ่นละอองที่มีคุณสมบัติไวไฟ การใส่และถอดแบตเตอรี่ออกจากเครื่องชาร์จอาจเป็นการจุดระเบิดฝุ่นหรือไอระเหยดังกล่าวได้
- ห้ามฝืนใส่แบตเตอรี่ลงในเครื่องชาร์จ ห้ามดัดแปลงก้อนแบตเตอรี่ด้วยวิธีการใดๆ เพื่อให้สามารถใส่ลงในเครื่องชาร์จที่ไม่รองรับแบตเตอรี่นั้น เนื่องจากก้อนแบตเตอรี่อาจระเบิดขึ้นเป็นเหตุให้บาดเจ็บสาหัสได้
- ชาร์จแบตเตอรี่ในเครื่องชาร์จของ STANLEY เท่านั้น
- ห้าม สาดหรือจุ่มลงในน้ำหรือของเหลวใดๆ โดยเด็ดขาด
- ห้ามเก็บหรือใช้งานเครื่องมือและแบตเตอรี่ในสถานที่ซึ่งอุณหภูมิอาจสูงถึงหรือสูงกว่า 40° C (105° F) (เช่น ในโรงเรือนกลางแจ้ง หรืออาคารที่มีโครงสร้างเป็นโลหะในช่วงฤดูร้อน)



**คำเตือน:** ห้ามพยายามแกะตัวแบตเตอรี่ในทุกกรณี หากตัวก้อนแบตเตอรี่มีรอยแตกหรือเสียหาย ห้ามนำใส่เข้าไปในเครื่องชาร์จโดยเด็ดขาด ห้ามทุบ ท้าตก หรือทำให้ก้อนแบตเตอรี่ชำรุดเสียหาย ห้ามใช้งานก้อนแบตเตอรี่และเครื่องชาร์จที่ถูกกระแทกอย่างรุนแรง เคยตก ถูกทับ หรือได้รับความเสียหายในรูปแบบใดๆ (กล่าวคือ ถูกตะปุดตกทะเล ถูกค้อนทุบ ถูกเหยียบจนชำรุด) อาจส่งผลให้ถูกไฟฟ้าช็อต หรือได้รับอันตรายจากไฟฟ้า





จนถึงแก่ชีวิต ควรส่งแบตเตอรี่ที่เสียหายคืนให้ศูนย์บริการเพื่อนำไปรีไซเคิล

**ข้อควรระวัง:** เมื่อไม่ใช้งาน ในห้องเครื่องมีตะแคงไว้บนพื้นผิวที่มั่นคงที่จะไม่ทำให้เกิดอันตรายจากการสะดุดหรือร่วงหล่น อุปกรณ์บางอย่างที่มีแบตเตอรี่ก้อนใหญ่อาจจะสามารถวางตั้งบนแบตเตอรี่ได้ แต่ก็อาจถูกชนล้มได้ง่ายเช่นกัน

### คำแนะนำเพื่อความปลอดภัยเฉพาะสำหรับแบตเตอรี่ลิเทียมไอออน (Li-Ion)

- ห้ามเผาแบตเตอรี่แม้ว่าแบตเตอรี่นั้นจะได้รับความเสียหายอย่างร้ายแรงหรือใช้งานจนหมดแล้วก็ตาม แบตเตอรี่สามารถระเบิดได้ในเปลวไฟ ไอและสารพิษจะเกิดขึ้นเมื่อแบตเตอรี่ลิเทียมไอออนถูกเผา
- หากสารภายในแบตเตอรี่สัมผัสถูกผิวหนังให้รีบล้างออกด้วยสบู่อุ่นและน้ำทันที หากของเหลวภายในแบตเตอรี่เข้าตา ให้ลืมน้ำในน้ำไหลเป็นเวลา 15 นาทีหรือจนไม่รู้สึกระคายเคืองอีก หากจำเป็นต้องไปพบแพทย์ สารอิเล็กโทรไลต์ของแบตเตอรี่เป็นส่วนผสมของสารละลายคาร์บอนेटอินทรีย์และเกลือลิเทียม
- สารภายในแบตเตอรี่ที่ถูกเปิดออกอาจทำให้ระบบหายใจระคายเคืองได้ ให้รีบไปยังสถานที่ที่มีอากาศถ่ายเท หากอาการผิดปกติไม่หายไปให้รีบพบแพทย์



**คำเตือน:** อันตรายจากไฟไหม้ ของเหลวในแบตเตอรี่อาจติดไฟได้หากถูกประกายไฟหรือเปลวไฟ

### การขนส่ง

แบตเตอรี่ของ STANLEY ปฏิบัติตามข้อกำหนดในการขนส่งที่บังคับใช้ตามที่บัญญัติเป็นมาตรฐานของกฎหมายและอุตสาหกรรมประการ ซึ่งประกอบด้วยข้อแนะนำในการขนส่งสินค้าอันตรายขององค์การสหประชาชาติ (UN Recommendations on the Transport of Dangerous Goods) ระเบียบข้อบังคับของสมาคมขนส่งทางอากาศระหว่างประเทศ (IATA) ข้อกำหนดว่าด้วยการขนส่งสินค้าอันตรายทางทะเลระหว่างประเทศ ขององค์การทางทะเลระหว่างประเทศ (International Maritime Dangerous Goods – IMDG) ข้อตกลงร่วมกับการขนส่งสินค้าอันตรายผ่านแดนทางถนนของกลุ่มประชาคมเศรษฐกิจยุโรป (European Agreement Concerning the International Carriage of Dangerous Goods by Road – ADR) เชลล์และแบตเตอรี่ลิเทียมไอออนได้รับการทดสอบตามเกณฑ์และการทดสอบมาตรา 38.3 ของข้อแนะนำในการขนส่งสินค้าอันตรายขององค์การสหประชาชาติแล้ว

โดยส่วนใหญ่แล้ว การขนส่งแบตเตอรี่ของ STANLEY จะได้รับยกเว้นในการจัดประเภทเป็นวัตถุอันตรายตามที่กำหนดไว้ประเภทที่ 9 ซึ่งโดยทั่วไปจะมีเพียงสองกรณีที่ต้องขนส่งตามประเภทที่ 9 คือ:

- การขนส่งแบตเตอรี่ลิเทียมไอออนของ STANLEY ทางอากาศจำนวนมากกว่าสองก้อนเมื่อมีการบรรจุเฉพาะแบตเตอรี่ (ไม่มีเครื่องมือ) และ
- การขนส่งที่บรรจุแบตเตอรี่ลิเทียมไอออนที่มีอัตราพลังงานไฟฟ้ามากกว่า 100 วัตต์-ชั่วโมง (Wh) โดยต้องมีการทำเครื่องหมายแสดงอัตราวัตต์-ชั่วโมงไว้ที่หีบห่อของแบตเตอรี่ลิเทียมไอออนทั้งหมด

ทั้งนี้ไม่คำนึงว่าการขนส่งจะได้รับการยกเว้นหรือต้องปฏิบัติตามอย่างครบถ้วน เป็นความรับผิดชอบของผู้ขนส่งที่จะต้องค้นหาข้อมูลเกี่ยวกับข้อบังคับด้านบรรจุภัณฑ์ล่าสุด ข้อกำหนดเรื่องการแสดงฉลาก/เครื่องหมายและการจัดเตรียมเอกสาร

การขนส่งแบตเตอรี่อาจทำให้เกิดไฟไหม้ได้ ถ้าขั้วของแบตเตอรี่สัมผัสกับวัตถุที่นำไฟฟ้า เมื่อทำการขนส่งแบตเตอรี่ต้องแน่ใจว่าขั้วแบตเตอรี่ได้รับการป้องกันและได้รับการหุ้มฉนวนอย่างดีเพื่อไม่ให้มีวัตถุใดๆ มาสัมผัสถูกและทำให้เกิดการลัดวงจรได้

ข้อมูลในหัวข้อนี้ของคู่มือจัดเตรียมโดยสุจริตและเชื่อมั่นว่าถูกต้องในเวลาจัดทำขึ้น อย่างไรก็ตามไม่ถือว่าเป็นการรับประกันทั้งโดยชัดแจ้งหรือโดยปริยาย เป็นความรับผิดชอบของผู้ซื้อที่จะตรวจสอบให้แน่ใจว่ากิจกรรมต่างๆ ของบริษัทสอดคล้องตามข้อกำหนดที่บังคับใช้

### แบตเตอรี่

#### ชนิด

แบตเตอรี่ SCH12 ทำงานด้วยก้อนแบตเตอรี่ 12V Max โวลต์

### คำแนะนำการเก็บรักษา

- สถานที่เก็บรักษาอุปกรณ์ที่เหมาะสมที่สุดคือสถานที่ซึ่งแห้งและเย็น ไม่ได้รับแสงอาทิตย์โดยตรง และอุณหภูมิไม่ร้อนหรือเย็นมากเกินไป เพื่อให้ประสิทธิภาพและอายุการใช้งานของแบตเตอรี่ยาวนานสูงสุด ควรเก็บรักษาแบตเตอรี่ในอุณหภูมิห้องเมื่อไม่ใช้งาน
- กรณีเก็บเป็นเวลานานให้เก็บแบตเตอรี่ที่ชาร์จเต็มแล้วในสถานที่แห้งและเย็นนอกเครื่องชาร์จ

**หมายเหตุ:** ไม่ควรเก็บรักษาแบตเตอรี่ในสภาพปราศจากประจุโดยสิ้นเชิง ต้องชาร์จแบตเตอรี่ใหม่ก่อนนำกลับมาใช้อีกครั้ง

### แผ่นป้ายบนแบตเตอรี่และเครื่องชาร์จ

นอกเหนือจากสัญลักษณ์ภาพที่ใช้ในคู่มือเล่มนี้แล้ว บนเครื่องชาร์จและแบตเตอรี่จะมีสัญลักษณ์ภาพดังต่อไปนี้:



โปรดอ่านคู่มือแนะนำการใช้งานก่อนใช้งาน



โปรดดูข้อมูลทางเทคนิคสำหรับเวลาในการชาร์จ



กำลังชาร์จแบตเตอรี่



แบตเตอรี่ชาร์จเต็มแล้ว



แบตเตอรี่เสื่อมสภาพ



หน่วงเวลาเนื่องจากแบตเตอรี่ร้อน/เย็น



ห้ามหยดด้วยวัตถุที่เป็นตัวนำ



ห้ามชาร์จแบตเตอรี่ที่ชำรุด



ห้ามทำให้แบตเตอรี่เปียกน้ำ



เปลี่ยนสายไฟที่ชำรุดทันที



ชาร์จไฟที่อุณหภูมิระหว่าง 4 °C ถึง 40 °C เท่านั้น



ใช้ภายในอาคารเท่านั้น



โปรดทิ้งแบตเตอรี่อย่างเหมาะสมโดยคำนึงถึงผลกระทบต่อสิ่งแวดล้อม



ชาร์จแบตเตอรี่ STANLEY กับเครื่องชาร์จของ STANLEY ที่กำหนดเท่านั้น การชาร์จแบตเตอรี่ชนิดอื่นนอกเหนือจากแบตเตอรี่ที่ STANLEY กำหนดกับเครื่องชาร์จ STANLEY อาจทำให้แบตเตอรี่ระเบิดหรือนำไปสู่สถานการณ์ที่เป็นอันตรายอื่นๆ



ห้ามเผาแบตเตอรี่

ส่วนเจาะกระแทก 1 เครื่อง

เครื่องชาร์จ 1 เครื่อง

แบตเตอรี่ (S2) 2 ก้อน หรือแบตเตอรี่ (S1) 1 ก้อน

คู่มือการใช้งาน 1 เล่ม

หมายเหตุ: สำหรับรุ่น N จะไม่มีแบตเตอรี่และเครื่องชาร์จ

- โปรดตรวจหาร่องรอยความเสียหายของเครื่องมือชิ้นส่วน หรืออุปกรณ์เสริม ที่อาจเกิดขึ้นในระหว่างการขนส่ง
- โปรดอ่านและทำความเข้าใจคู่มือเล่มนี้ก่อนการใช้งาน

#### คำอธิบาย (รูป 1)



**คำเตือน:** ห้ามปรับแต่งเครื่องมือไฟฟ้าหรือชิ้นส่วนใดๆ โดยเด็ดขาด เพราะอาจทำให้เครื่องมือชำรุดหรือได้รับบาดเจ็บได้

- สวิตช์ปรับระดับความเร็ว
- ปุ่มเดินหน้า/ถอยหลัง
- ปลอกปรับแรงบิด
- สวิตช์เปลี่ยนเกียร์
- ตัวจับดอกสว่านแบบไม่ใช้จำปา
- ปุ่มปลดล็อคแบตเตอรี่
- แบตเตอรี่
- ไฟส่องงาน
- ปลอกปรับโหมดการทำงาน

#### วัตถุประสงค์ในการใช้งาน

สว่าน/ไขควงไฟฟ้าเครื่องนี้ออกแบบเพื่อการขันแน่น และการเจาะที่เป็นงานเบา

ห้ามใช้ในบริเวณที่เปียกชื้น หรือมีของเหลวหรือแก๊สที่ติดไฟได้อยู่ในบริเวณดังกล่าว

สว่าน/ไขควงไฟฟ้าเครื่องนี้เป็นเครื่องมือไฟฟ้าสำหรับมืออาชีพ

ห้ามให้เด็กสัมผัสกับเครื่องมือไฟฟ้านี้ ผู้ใช้ที่ไม่มีประสบการณ์มาก่อนต้องได้รับการดูแลในขณะที่ใช้เครื่องมือนี้

- เครื่องมือนี้ไม่ได้มีไว้เพื่อการใช้งานโดยบุคคล (ซึ่งรวมถึงผู้เยาว์) ที่มีความบกพร่องทางร่างกายทางการรับรู้ความรู้สึก หรือทางจิตประสาท หรือขาดประสบการณ์ และ/หรือขาดความรู้ และทักษะเว็นเสียแต่จะได้รับการควบคุมดูแลหรือคำแนะนำการใช้เครื่องมือโดยผู้ที่รับผิดชอบต่อความปลอดภัยของบุคคลเหล่านั้น ห้ามปล่อยผู้เยาว์ไว้กับเครื่องมือนี้ตามลำพัง

#### ความปลอดภัยทางไฟฟ้า

มอเตอร์ไฟฟ้าออกแบบมาเพื่อใช้กับแรงดันไฟฟ้าขนาดเดียวเท่านั้น ต้องตรวจสอบแรงดันไฟฟ้าของแบตเตอรี่ให้ตรงกับแรงดันไฟฟ้าบนแผ่นแสดงพิกัดเสมอ รวมทั้ง

สิ่งที่อยู่ในบรรจุภัณฑ์

ภายในบรรจุภัณฑ์ประกอบด้วย:

ตรวจสอบว่าแรงดันไฟฟ้าของเครื่องชาร์จตรงกับสายไฟตัวเครื่องของคุณ



เครื่องชาร์จไฟ STANLEY ของคุณได้รับการเคลือบฉนวนสองชั้นตามมาตรฐาน EN 60335 ดังนั้นจึงไม่จำเป็นต้องต่อสายดิน

ถ้าสายไฟของตัวเครื่องชำรุดเสียหาย ต้องเปลี่ยนเป็นสายไฟที่จัดเตรียมมาเป็นพิเศษซึ่งสั่งซื้อได้จากศูนย์บริการของ STANLEY

## การใช้สายพ่วง

ไม่ควรใช้สายต่อพ่วง เว้นแต่มีความจำเป็นอย่างหลีกเลี่ยงไม่ได้ ควรใช้สายต่อพ่วงที่ผ่านการรับรองและเหมาะสมกับกำลังไฟเข้าของเครื่องชาร์จ (ดูข้อมูลด้านเทคนิค) ขนาดต่ำสุดของสายไฟ คือ 1 ตร.มม. ความยาวสูงสุด คือ 30 ม.

เมื่อมีการใช้อุปกรณ์ม้วนเก็บสายไฟ ให้คลายสายไฟออกจนหมดทุกครั้ง

## การประกอบและการปรับแต่ง



**คำเตือน:** ก่อนที่จะประกอบและปรับแต่ง ให้ถอดแบตเตอรี่ออกทุกครั้ง ปิดสวิตช์เครื่องมือเสมอก่อนใส่หรือถอดแบตเตอรี่



**คำเตือน:** ใช้แบตเตอรี่และเครื่องชาร์จของ STANLEY เท่านั้น

## การใส่และการถอดแบตเตอรี่ออกจากเครื่องมือ (รูป 3)



**คำเตือน:** เพื่อลดความเสี่ยงของการบาดเจ็บสาหัส ให้เลื่อนลิ้นล็อกปุ่มเดินหน้า/ถอยหลังให้อยู่ในตำแหน่งปิดหรือปิดเครื่องมือและถอดแบตเตอรี่ก่อนทำการปรับหรือการถอด/ติดตั้งอุปกรณ์ต่อพ่วงหรืออุปกรณ์เสริมใดๆ การปล่อยเปิดเครื่องโดยไม่ตั้งใจอาจทำให้เกิดการบาดเจ็บได้

**หมายเหตุ:** เพื่อให้การทำงานได้ผลดีที่สุดควรชาร์จแบตเตอรี่ (g) ให้เต็ม

**เมื่อต้องการใส่แบตเตอรี่ลงในด้ามจับของเครื่องมือ**

1. วางแบตเตอรี่ให้ตรงกับรางภายในด้ามจับของเครื่องมือ
2. เลื่อนแบตเตอรี่ให้เข้าที่พอดี จนได้ยินเสียงล็อกเข้าที่

**เมื่อต้องการถอดแบตเตอรี่ออกจากเครื่องมือ**

1. กดปุ่มปลดล็อกแบตเตอรี่ (f) จากนั้นจับแบตเตอรี่ให้กระชับและดึงออกจากด้ามจับ
2. ใส่แบตเตอรี่ลงในเครื่องชาร์จตามที่บรรยายในส่วนของเครื่องชาร์จในคู่มือฉบับนี้

## วิธีการใช้เครื่อง



**คำเตือน:** ทำตามคำแนะนำด้านความปลอดภัยและข้อกำหนดที่ให้เสมอ



**คำเตือน:** เพื่อลดความเสี่ยงของการบาดเจ็บสาหัส ให้เลื่อนลิ้นล็อกปุ่มเดินหน้า/ถอยหลังให้อยู่ในตำแหน่งปิดหรือปิดเครื่องมือและถอดแบตเตอรี่ก่อนทำการปรับหรือการถอด/ติดตั้งอุปกรณ์ต่อพ่วงหรืออุปกรณ์เสริมใดๆ

## ตำแหน่งการจับที่เหมาะสม (รูป 1, 8)



**คำเตือน:** เพื่อลดความเสี่ยงจากการได้รับบาดเจ็บสาหัส ให้จับเครื่องมือในตำแหน่งที่ถูกต้องดังแสดงในภาพเสมอ



**คำเตือน:** เพื่อลดความเสี่ยงจากการได้รับบาดเจ็บสาหัส จะต้องจับเครื่องมือให้แน่นทุกครั้ง เพื่อเตรียมพร้อมสำหรับแรงปฏิกิริยาที่เกิดขึ้นแบบทันทีทันใด

ตำแหน่งของการจับที่ถูกต้องคือมือหนึ่งจับที่มือจับหลัก (i)

## สวิตช์ปรับระดับความเร็ว (รูป 1)

เมื่อต้องการเปิดเครื่องมือ ให้บีบสวิตช์ (a) เมื่อต้องการปิดเครื่อง ให้ปล่อยสวิตช์ เครื่องมือนี้ไม่มีเบรกติดตั้งอยู่ ตัวจับดอกสว่านจะหยุดทำงานทันทีที่ปล่อยสวิตช์จนสุด

สวิตช์ปรับระดับความเร็วช่วยให้คุณเลือกกระดุมความเร็วที่เหมาะสมสำหรับงานแต่ละชนิดได้ ยิ่งคุณกดสวิตช์ลงไปลึกเท่าใด เครื่องมือจะทำงานเร็วขึ้นเท่านั้น เพื่อให้เครื่องมือมีอายุการใช้งานยาวนานสูงสุด โปรดใช้สวิตช์ปรับระดับความเร็วเมื่อเริ่มต้นเจาะหรือขันสกรูเท่านั้น

**หมายเหตุ:** ไม่แนะนำให้ใช้การปรับระดับความเร็วอย่างต่อเนื่องเป็นเวลานาน การใช้งานลักษณะนี้อาจทำให้สวิตช์เสียหายได้และควรหลีกเลี่ยง

## ปุ่มควบคุมการเดินหน้า/ถอยหลัง (รูป 1)

ปุ่มควบคุมเดินหน้า/ถอยหลัง (b) จะควบคุมทิศทางการทำงานของเครื่องมือ รวมทั้งทำหน้าที่เป็นปุ่มล็อกให้อยู่ในตำแหน่งปิดอีกด้วย

หากต้องการเลือกทิศทางการหมุนไปด้านหน้า ให้ปล่อยสวิตช์แล้วกดปุ่มควบคุมเดินหน้า/ถอยหลังไปทางด้านขวาของเครื่องมือ

หากต้องการเลือกทิศทางการหมุนไปด้านหลัง ให้กดปุ่มควบคุมเดินหน้า/ถอยหลังไปทางด้านซ้ายของเครื่องมือ ตำแหน่งตรงกลางของปุ่มควบคุมจะใช้ล็อกเครื่องมือให้อยู่ในตำแหน่งปิดการทำงาน เมื่อจะเปลี่ยนตำแหน่งของปุ่มควบคุม ต้องแน่ใจว่าได้ปล่อยสวิตช์แล้ว

**หมายเหตุ:** คุณอาจได้ยินเสียงแกรกเมื่อเดินเครื่องครั้งแรกหลังจากเปลี่ยนทิศทางการหมุน นี่เป็นสภาพปกติ

ของเครื่องมือและไม่ได้แสดงว่าเครื่องเกิดปัญหาแต่อย่างใด

## ไฟส่องงาน (รูป 1)

มีไฟส่องงาน (h) อยู่ข้างใต้ปลอกปรับแรงบิด (c) ไฟส่องงานจะติดสว่างเมื่อสวิตช์ควบคุมการทำงานถูกกด

**หมายเหตุ:** ไฟส่องงานใช้สำหรับส่องบริเวณที่ทำงานเบื้องหน้าเท่านั้น ไม่ใช่สำหรับใช้เป็นไฟฉาย

## ปลอกปรับแรงบิด (รูป 1)

หมุนปลอก (k) ไปที่สัญลักษณ์รูปสกรู ปลอกปรับแรงบิด (c) มีการระบุตัวเลขและสัญลักษณ์ดอกสว่านอย่างชัดเจน ให้หมุนปลอกจนกระทั่งค่าที่ต้องการอยู่ที่ด้านบนของเครื่องมือ ตัวกำหนดตำแหน่งบนปลอกทำให้ไม่ต้องเดาเมื่อเลือกแรงบิดในการขัน ตัวเลขยิ่งมาก แรงบิดจะยิ่งสูง และสามารถขันด้วยยึดใต้ใหญ่ขึ้นด้วย หากต้องการล็อคคดลัดซ์สำหรับเจาะ ให้หมุนปลอกปรับแรงบิดการทำงาน (k) ไปที่ตำแหน่งดอกสว่าน

**หมายเหตุ:** ขณะใช้สว่าน/ไขควงไฟฟ้าสำหรับกรเจาะรู ตรวจสอบให้แน่ใจว่าได้ตั้งค่าปลอกปรับแรงบิดการทำงานโดยให้ภาพของสว่านตรงกับเส้นกึ่งกลางด้านบนของเครื่องมือ การไม่ปฏิบัติตามคำแนะนำ จะทำให้คดลัดซ์สั้นลงในขณะพยายามทำการเจาะ

## เกียร์สองจังหวะ (รูป 1, 4)

เกียร์สองจังหวะของไขควง/สว่านนี้ช่วยให้คุณสามารถเปลี่ยนเกียร์เพื่อให้ใช้งานได้หลากหลายขึ้น

ถ้าต้องการความเร็วต่ำ ให้ตั้งค่าแรงบิดสูง ปิดเครื่องมือและปล่อยให้เครื่องหยุดหมุนเอง เลื่อนสวิตช์เปลี่ยนเกียร์ (d) ไปข้างหน้า (ไปทางตัวจับดอกสว่าน) ถ้าต้องการเลือกความเร็วสูง ให้ตั้งค่าแรงบิดต่ำ ปิดเครื่องมือและปล่อยให้เครื่องหยุดหมุนเอง เลื่อนสวิตช์เปลี่ยนเกียร์ไปข้างหลัง (ออกห่างจากตัวจับดอกสว่าน)

**หมายเหตุ:** อย่าเปลี่ยนเกียร์ขณะที่เครื่องกำลังทำงาน ถ้าคุณมีปัญหาในการเปลี่ยนเกียร์ ตรวจสอบให้แน่ใจว่าสวิตช์เปลี่ยนเกียร์อยู่ในตำแหน่งใดตำแหน่งหนึ่งระหว่างถูกดันไปข้างหน้าจนสุดหรือถูกดันถอยหลังจนสุด

## ตัวจับดอกสว่านแบบไม้ไข้จำปา (รูป 5)

เครื่องมือของคุณมีตัวจับดอกสว่านแบบไม้ไข้จำปา และมีปลอกแบบหมุนทางเดียวเพื่อให้อาสามารถหมุนตัวจับดอกสว่านด้วยมือเดียวได้ ถ้าต้องการใส่ดอกสว่านหรืออุปกรณ์เสริม ให้ทำตามขั้นตอนต่อไปนี้

1. ล็อคสวิตช์ให้อยู่ในตำแหน่ง "ปิด" ตามที่อธิบายไว้ก่อนหน้านี้
2. จับปลอกสีดาของตัวจับดอกสว่านด้วยมือข้างหนึ่ง และใช้มืออีกข้างหนึ่งยึดเครื่องมือให้แน่น หมุนปลอกทวนเข็มนาฬิกาให้กว้างพอที่จะใส่อุปกรณ์เสริมที่ต้องการได้
3. ใส่อุปกรณ์เสริมให้เข้าไปในตัวจับดอกสว่านประมาณ 19 มม. (3/4") และขันให้แน่นด้วยการหมุนปลอก

ของตัวจับดอกสว่านตามเข็มนาฬิกาด้วยมือข้างหนึ่ง ขณะที่จับเครื่องมือด้วยมืออีกข้างหนึ่ง เครื่องมือนี้กลไกล็อคแกนหมุนอัตโนมัติ จึงทำให้คุณสามารถเปิดและปิดตัวจับดอกสว่านได้ด้วยมือเดียว

ถ้าต้องการปลดล็อคอุปกรณ์เสริม ให้ทำซ้ำขั้นที่ 2 ข้างต้น



**คำเตือน:** ห้ามพยายามขันดอกสว่าน (หรืออุปกรณ์เสริมอื่นๆ) ด้วยการจับยึดส่วนหน้าของตัวจับดอกสว่านแล้วเปิดเครื่องมือ เพราะอาจทำให้ตัวจับดอกสว่านเสียหาย หรือเกิดการบาดเจ็บได้ ให้ล็อคสวิตช์เสมอเมื่อเปลี่ยนอุปกรณ์เสริม

ต้องแน่ใจว่าได้ขันตัวจับดอกสว่านให้แน่นแล้วโดยที่มือข้างหนึ่งจับอยู่ที่ปลอกของตัวจับและมืออีกข้างหนึ่งจับเครื่องมือไว้เพื่อให้เกิดความแน่นสูงสุด

## การถอดตัวจับดอกสว่าน (รูป 5)

หมุนปลอกปรับแรงบิดไปที่ตำแหน่ง "เจาะ" และหมุนสวิตช์เปลี่ยนเกียร์ไปที่ตำแหน่ง 1 (ความเร็วต่ำ) ขันตัวจับดอกสว่านรอบๆ ปลายด้านสั้นกว่าของกฏแจ็กเหลี่ยม (ไม่ได้จัดมาให้) ขนาด 6.35 มม. (1/4") หรือใหญ่กว่า ใช้ค้อนไม้หรือวัตถุที่คล้ายกันตอกปลายด้านที่ยาวกว่าตามที่ทิศทางตามเข็มนาฬิกาที่ตั้งแสดงในรูป เพื่อคลายตัวจับดอกสว่านในตัวจับดอกสว่าน

เปิดตัวจับดอกสว่านจนสุด สอดไขควง (หรือเครื่องมือทอกร) ถ้าต้องการ เข้าที่ด้านหน้าตัวจับดอกสว่านระหว่างปากตัวจับเพื่อใส่หัวสกรู ถอดสกรูโดยการหมุนตามเข็มนาฬิกา (เกลียวซ้าย) สอดกฏแจ็กเหลี่ยมเข้าในตัวจับดอกสว่านแล้วขัน ดังที่แสดงในรูป 6 ใช้ค้อนไม้หรือวัตถุที่คล้ายกันเคาะที่กฏแจ็กในทิศทางทวนเข็มนาฬิกา เพื่อคลายตัวจับดอกสว่านและสามารถไขมี้อคลายออกได้

## การใส่ตัวจับดอกสว่าน (รูป 7)

ใช้มี้อหมุนตัวจับดอกสว่านเข้าไปให้ได้มากที่สุดแล้วใส่สกรู (เกลียวซ้าย) ขันสกรูให้แน่น ขันตัวจับดอกสว่านรอบๆ ปลายด้านสั้นกว่าของกฏแจ็กเหลี่ยม (ไม่ได้จัดมาให้) ขนาด 6.35 มม. (1/4") หรือใหญ่กว่าตอกปลายด้านยาวกว่าในทิศทางตามเข็มนาฬิกาด้วยค้อนไม้ ดังที่แสดงในรูป ขันสกรูอีกครั้งด้วยการหมุนในทิศทางทวนเข็มนาฬิกา

## การเจาะ



**คำเตือน:** เพื่อลดความเสี่ยงจากการได้รับบาดเจ็บรุนแรง ต้องปิดเครื่องมือและถอดปลั๊กออกจากแหล่งจ่ายไฟก่อนทำการปรับตั้ง หรือทำการถอด/ติดตั้งอุปกรณ์ยึดติดหรืออุปกรณ์เสริมใดๆ ทุกครั้ง



**คำเตือน:** เพื่อลดความเสี่ยงจากการได้รับบาดเจ็บ ให้ตรวจสอบทุกครั้งว่าชิ้นงานได้ยึดหรือจับไว้แน่นหนาดีแล้ว

หากเจาะวัสดุบาง ให้รองด้วยบล็อกไม้ เพื่อป้องกันไม่ให้วัสดุเสียหาย

หมุนปลอกไปที่สัญลักษณ์รูปดอกสว่านสำหรับงานเจาะ เลือกช่วงความเร็ว/แรงบิดที่ต้องการโดยใช้สวิตช์เปลี่ยนเกียร์เพื่อให้ตรงกับความเร็วและแรงบิดของการทำงานที่วางแผนไว้

1. ใช้ดอกสว่านที่คมเท่านั้น สำหรับไม้ ให้ใช้ดอกสว่านแบบเกลียว (Twist drill bit) ดอกสว่านแบบพลั่ว (Spade bit) หรือเลื่อยสำหรับเจาะรู (Hole saw) สำหรับโลหะ ให้ใช้ดอกสว่านแบบเกลียวชนิดโลหะความเร็วสูง (HSS) หรือเลื่อยสำหรับเจาะรู
2. ออกแรงกดตรงๆ ไปที่ดอกสว่านเสมอ ใช้แรงดันพอสมควรเพื่อให้สว่านทำงาน แต่ต้องไม่ออกแรงมากเกินไปจนมอเตอร์หยุดกลางคันหรือดอกสว่านบิด
3. ถือเครื่องมือด้วยมือทั้งสองข้างเพื่อความคุมการหมุนเป็นเกลียวของดอกสว่าน



**คำเตือน:** สว่านอาจหยุดกลางคันถ้าทำงานหนักเกินไปซึ่งจะทำให้เกิดการบิดทันที เตรียมพร้อมหากเครื่องมือหยุดทำงานกลางคัน จับสว่านให้แน่นด้วยมือทั้งสองเพื่อความคุมการบิดและไม่ให้เกิดการบาดเจ็บ

4. ถ้าสว่านหยุดกลางคัน มักเป็นเพราะใช้งานเกินกำลังหรือใช้งานไม่ถูกต้อง ให้**ปล่อยสวิตช์ทันที** และถอนดอกสว่านออกจากชิ้นงาน แล้วหาสาเหตุที่ทำให้เครื่องหยุด ห้ามเปิดและปิดสวิตช์ปรับระดับความเร็วเพื่อเปิดเครื่องขณะที่เครื่องยังค้างอยู่ เพราะอาจทำให้สว่านชำรุดเสียหายได้
5. เพื่อให้การหยุดกลางคันหรือการทำให้วัสดุแตกหักเกิดน้อยที่สุด ให้ลดแรงกดที่กระทำต่อสว่านและคลายดอกสว่านผ่านทางรูของชิ้นงาน
6. มอเตอร์ต้องทำงานอยู่ในขณะที่ตั้งดอกสว่านยอม ออกจากกรูที่เจาะไว้ วิธีนี้จะป้องกันปัญหาดอกสว่านติดได้
7. ไม่จำเป็นต้องหาจุดกึ่งกลางที่จะเจาะเนื่องจากสว่านมีความเร็วหลายระดับ ใช้ความเร็วต่ำก่อนเพื่อเริ่มเจาะรู และเร่งความเร็วด้วยการกดที่สวิตช์ไกให้แรงขึ้นเมื่อรูที่เจาะลึกพอที่จะเจาะต่อโดยที่ดอกสว่านไม่กระเด็นออกมา

## การทำงานเจาะกระแทก (รูป 4)

1. หมุนปลอก (K) ไปที่สัญลักษณ์รูปสว่านเจาะกระแทก
2. เลือกค่าความเร็วสูงโดยเลื่อนสวิตช์เปลี่ยนเกียร์ไปข้างหน้า (ไปยังตัวจับดอกสว่าน) ข้อสำคัญ: ใช้ดอกสว่านหัวคาร์ไบด์หรือดอกสว่านเจาะปูนเท่านั้น
3. เจาะด้วยแรงกดพอสมควรเพื่อไม่ให้สว่านกระดอนมากเกินไปหรือไม่ให้ดอกสว่าน "ไหล" ออกมา การ

ใช้แรงมากเกินไปจะทำให้ความเร็วในการเจาะลดลง เกิดความร้อนมากเกินไป และอัตราการเจาะต่ำลง

4. เจาะให้ตรง คอยดูให้ดอกสว่านตั้งฉากกับงานตลอดเวลา อย่าออกแรงกดดอกสว่านทางด้านข้างขณะเจาะเพราะจะทำให้ดอกสว่านติดอยู่ในร่องและความเร็วในการเจาะช้าลง

5. ขณะเจาะรูลึก ถ้าความเร็วของสว่านเริ่มลดลง ให้ถอนสว่านออกจากรูบางส่วนโดยที่เครื่องมือยังคงทำงานอยู่ ทั้งนี้เพื่อช่วยขจัดเศษวัสดุออกจากกรู

**หมายเหตุ:** ฝุ่นที่ออกมาจากรูอย่างต่อเนื่องบ่งบอกถึงอัตราการเจาะที่เหมาะสม

## การใช้งานในลักษณะไขควงไฟฟ้า

เลือกช่วงความเร็ว/แรงบิดที่ต้องการโดยใช้สวิตช์เปลี่ยนเกียร์สองจังหวะซึ่งอยู่ส่วนบนของเครื่องมือเพื่อให้ตรงกับความเร็วและแรงบิดของการทำงานที่วางแผนไว้

ใส่อุปกรณ์เสริมด้วยยึดที่ต้องการลงในตัวจับดอกสว่านแบบเดียวกับการใส่ดอกสว่านทั่วไป ลองฝึกกับเศษวัสดุหรือกับบริเวณที่มองไม่เห็นก่อน เพื่อหาตำแหน่งที่เหมาะสมของปลอกกดลัดขี

### ความสามารถสูงสุดที่แนะนำ

	ช่วงความเร็วต่ำ-1	ช่วงความเร็วสูง-2
ดอกสว่าน, การเจาะโลหะ	6.00 มม.	3.00 มม.
ไม้, แผ่นเรียบ	19.00 มม.	12.00 มม.
เลื่อยสำหรับเจาะรู	19.00 มม.	16.00 มม.

### การบำรุงรักษา

เครื่องมือไฟฟ้า STANLEY ออกแบบมาเพื่อให้สามารถใช้งานได้ยาวนานต่อเนื่องโดยมีการบำรุงรักษาน้อยที่สุด การทำงานที่สร้างความพึงพอใจอย่างต่อเนื่องจะขึ้นอยู่กับการดูแลรักษาที่เหมาะสมและการทำความสะอาดอย่างสม่ำเสมอ



**คำเตือน:** เพื่อลดความเสี่ยงของการบาดเจ็บสาหัส ให้**เลื่อนสวิตช์ปิด** หรือ**ถอดปลอก** หรือ**ถอดสวิตช์** ก่อนทำการปรับหรือการถอด/ติดตั้งอุปกรณ์ต่อพ่วงหรืออุปกรณ์เสริมใดๆ การปล่อยเปิดเครื่องโดยไม่ได้ตั้งใจอาจทำให้เกิดการบาดเจ็บได้

เครื่องชาร์จและแบตเตอรี่ไม่สามารถซ่อมแซมได้ ภายในอุปกรณ์ทั้งสองไม่มีชิ้นส่วนใดที่สามารถซ่อมแซมได้



### การหลอ่ลื่น

ไม่ต้องใช้สารหล่อลื่นเพิ่มเติมกับเครื่องมือไฟฟ้านี้



#### การทำความสะอาด



**คำเตือน:** หมั่นเป่าสิ่งสกปรกและฝุ่นละอองที่สะสมออกจากตัวเครื่องเป็นประจำด้วยลมแห้ง เนื่องจากสิ่งสกปรกมักสะสมอยู่ภายในและรอบๆ ช่องระบายอากาศ สวมอุปกรณ์ป้องกันดวงตาและหน้ากากกันฝุ่นที่ได้มาตรฐานในขณะดำเนินการขั้นตอนนี้



**คำเตือน:** ห้ามใช้สารที่เป็นตัวทำลายลายหรือสารเคมีที่มีฤทธิ์กัดกร่อนรุนแรงอื่นๆ ทำความสะอาดชิ้นส่วนของเครื่องมือที่ไม่ใช่โลหะ สารเคมีเหล่านี้อาจส่งผลกระทบต่อชิ้นที่ใช่ในชิ้นส่วนเหล่านี้ โดยเฉพาะผ้าขนาน้ำสบู่อ่อนๆ เท่านั้น อย่าให้มือของเหลวเข้าไปภายในเครื่อง และห้ามไม่ให้ส่วนหนึ่งส่วนใดของเครื่องมือจุ่มลงในของเหลว

#### คำแนะนำในการทำความสะอาดเครื่องชาร์จ



**คำเตือน:** อันตรายจากการถูกไฟฟ้าช็อต ถอดเครื่องชาร์จออกจากเต้ารับไฟบ้านก่อนทำความสะอาด ให้จัดสิ่งสกปรกและจาระบีออกจากภายนอกของเครื่องชาร์จโดยใช้ผ้าหรือแปรงขนนุ่มที่ไม่ใช่โลหะ ห้ามใช้น้ำหรือน้ำยาทำความสะอาดใดๆ

#### คำแนะนำในการทำความสะอาดเครื่องชาร์จ



**คำเตือน:** อันตรายจากการถูกไฟฟ้าช็อต ถอดเครื่องชาร์จออกจากเต้ารับไฟบ้านก่อนทำความสะอาด ให้จัดสิ่งสกปรกและจาระบีออกจากภายนอกของเครื่องชาร์จโดยใช้ผ้าหรือแปรงขนนุ่มที่ไม่ใช่โลหะ ห้ามใช้น้ำหรือน้ำยาทำความสะอาดใดๆ

#### อุปกรณ์เสริม



**คำเตือน:** เนื่องจากอุปกรณ์เสริมอื่นนอกเหนือจากที่ STANLEY มีจำหน่าย ไม่ได้ผ่านการทดสอบร่วมกับผลิตภัณฑ์นี้ จึงอาจเป็นอันตรายหากใช้อุปกรณ์เสริมดังกล่าวร่วมกับเครื่องมือนี้ เพื่อเป็นการลดความเสี่ยงจากการได้รับบาดเจ็บ ให้ใช้อุปกรณ์เสริมเฉพาะที่ STANLEY แนะนำให้ใช้ร่วมกับผลิตภัณฑ์เท่านั้น

โปรดติดต่อตัวแทนจำหน่ายหากต้องการข้อมูลเพิ่มเติมเกี่ยวกับอุปกรณ์เสริมที่เหมาะสม

#### การปกป้องสิ่งแวดล้อม



การเก็บรวบรวมแบบคัดแยก ห้ามทิ้งผลิตภัณฑ์นี้รวมกับขยะในครัวเรือนปกติ

เมื่อคุณเห็นว่าจำเป็นต้องเปลี่ยนผลิตภัณฑ์ STANLEY ของคุณ หรือเครื่องมือนี้ไม่เป็นประโยชน์สำหรับคุณอีกต่อไป อยาทิ้งผลิตภัณฑ์นี้รวมกับขยะในครัวเรือน จัดการกับผลิตภัณฑ์นี้เพื่อใหพร้อมสำหรับการเก็บรวบรวมแบบคัดแยก



การเก็บรวบรวมแบบคัดแยกสำหรับบรรจุภัณฑ์และผลิตภัณฑ์ที่ใช้แล้วทำให้สามารถรีไซเคิลวัสดุและนำมาใช้งานอีกครั้ง การนำวัสดุรีไซเคิลมาใช้ใหม่จะช่วยป้องกันมลพิษต่อสิ่งแวดล้อมและลดความต้องการวัตถุดิบ

ตามกฎระเบียบท้องถิ่นอาจมีการจัดเตรียมสถานที่สำหรับการเก็บรวบรวมแบบคัดแยกอุปกรณ์ไฟฟ้าที่ใช้ภายในครัวเรือนไว้ ณ แหล่งรับขยะของเทศบาล หรืออาจมีการรับอุปกรณ์ใช้แล้วจากผู้ค้าปลีกในกรณีที่คุณซื้อผลิตภัณฑ์ชิ้นใหม่



#### แบตเตอรี่แบบชาร์จซ้ำได้

แบตเตอรี่ที่มีอายุการใช้งานยาวนานนี้จำเป็นต้องรับการชาร์จไฟใหม่เมื่อไม่สามารถจ่ายพลังงานเพียงพอสำหรับการทำงานซึ่งเคยทำได้โดยง่าย เมื่อแบตเตอรี่หมดอายุการทำงานทางด้านเทคนิคแล้ว ให้นำแบตเตอรี่ไปกำจัดทิ้งโดยคำนึงถึงผลกระทบต่อสิ่งแวดล้อม:

- ใช้แบตเตอรี่ให้หมดเกลี้ยง จากนั้นถอดแบตเตอรี่ออกจากเครื่องมือ
- แบตเตอรี่ Li-Ion สามารถรีไซเคิลได้ โปรดนำไปที่ตัวแทนจำหน่ายหรือสถานีรีไซเคิลในพื้นที่ของคุณ แบตเตอรี่ที่เรารวบรวมไว้จะนำไปรีไซเคิลหรือกำจัดอย่างเหมาะสมต่อไป

#### ข้อสังเกต

เนื่องจาก Stanley มีนโยบายพัฒนาปรับปรุงผลิตภัณฑ์อย่างต่อเนื่อง ดังนั้น เราจึงขอสงวนสิทธิ์ในการเปลี่ยนแปลงข้อมูลจำเพาะของผลิตภัณฑ์โดยไม่แจ้งให้ทราบล่วงหน้า

- อุปกรณ์มาตรฐานและอุปกรณ์เสริมอาจแตกต่างกันในแต่ละประเทศ
- ข้อมูลจำเพาะของผลิตภัณฑ์อาจแตกต่างกันในแต่ละประเทศ
- ตัวเลือกผลิตภัณฑ์อาจมีจำหน่ายไม่ครบทุกรายการในบางประเทศ โปรดสอบถามตัวเลือกผลิตภัณฑ์จากตัวแทนจำหน่ายของ Stanley ในประเทศของคุณ

## ข้อมูลทางเทคนิค

ส่วนเจาะกระแทก Li-Ion		SCH12
แรงดันไฟฟ้า	$V_{DC}$	12V Max
ความเร็วขณะไม่มีโหลด		
เกียร์ 1	$\text{min}^{-1}$	0-400
เกียร์ 2	$\text{min}^{-1}$	0-1500
แรงบิดสูงสุด	นิวตันเมตร	26
กำลังไฟออก (MWO)	วัตต์	180
ขนาดตัวจับดอกสว่าน	มม.	10
ความสามารถสูงสุดในการเจาะ		
ไม้	มม.	20
งานก่ออิฐ	มม.	8
โลหะ	มม.	10
เครื่องชาร์จ	SC121	SC122
แรงดันไฟเข้า	$V_{AC}$	220-240
แรงดันไฟออก	$V_{DC}$	22
กระแสไฟออก (DC)	แอมป์	1.25
ระยะเวลาชาร์จโดยประมาณ	นาที	70(1.5Ah)
แบตเตอรี่		SCB12S
แรงดันไฟฟ้า	$V_{DC}$	12V Max
ความจุ	แอมป์-ชั่วโมง	1.5
ชนิด	Li-Ion	



## Mục đích sử dụng

Máy khoan/máy bắt vít dùng pin Li-Ion Stanley 12V Max này được thiết kế để bắt vít và khoan nhẹ.

## Hướng dẫn an toàn

### Cảnh báo chung về an toàn cho dụng cụ điện cầm tay



**CẢNH BÁO!** Hãy đọc tất cả các cảnh báo và hướng dẫn về an toàn. Việc không tuân thủ các cảnh báo và hướng dẫn có thể gây giật điện, cháy nổ và/hoặc chấn thương nghiêm trọng.

### GIỮ LẠI MỌI CẢNH BÁO VÀ HƯỚNG DẪN ĐỂ SAU NÀY THAM KHẢO.

Thuật ngữ “dụng cụ điện cầm tay” trong phần cảnh báo chỉ thiết bị chạy bằng điện nguồn (có dây điện) hoặc thiết bị chạy bằng pin (không có dây điện).

#### 1. An toàn tại nơi làm việc

- a. **Đảm bảo nơi làm việc luôn sạch sẽ và đủ ánh sáng.** Những khu vực bừa bộn hoặc thiếu ánh sáng dễ gây tai nạn.
- b. **Không vận hành dụng cụ điện cầm tay trong các môi trường dễ cháy nổ, như các môi trường có chất lỏng, khí ga hoặc bụi dễ cháy.** Dụng cụ điện cầm tay tạo ra các tia lửa điện có thể gây cháy bụi hoặc bốc khói.
- c. **Không cho trẻ em và những người quan sát lại gần khi đang vận hành dụng cụ điện cầm tay.** Những lúc xao lãng có thể khiến bạn mất kiểm soát.

#### 2. An toàn điện

- a. **Phích cắm của dụng cụ điện cầm tay phải vừa với ổ cắm.** Không được sửa đổi phích cắm dưới bất kỳ hình thức nào. Không được sử dụng các phích cắm chuyên đổi với những dụng cụ điện cầm tay có nối đất. Phích cắm nguyên trạng và ổ cắm phù hợp sẽ giúp giảm nguy cơ bị giật.
- b. **Tránh tiếp xúc với các bề mặt được nối đất như đường ống, lò sưởi, bếp nướng**

**và tủ lạnh.** Nguy cơ bị điện giật sẽ cao hơn nếu cơ thể bạn tiếp xúc trực tiếp với đất.

- c. **Không để các dụng cụ điện cầm tay ngoài trời mưa hoặc ở nơi ẩm ướt.** Nước vào trong dụng cụ điện cầm tay sẽ làm tăng nguy cơ bị điện giật.
- d. **Không dùng dây điện cho các mục đích khác.** Tuyệt đối không sử dụng dây điện để mang, kéo hoặc rút phích cắm dụng cụ điện cầm tay. Để dây điện cách xa nguồn nhiệt, dầu mỡ, các cạnh sắc hoặc các bộ phận chuyển động. Dây điện bị hỏng hoặc bị vướng sẽ làm tăng nguy cơ bị điện giật.
- e. **Khi vận hành dụng cụ điện cầm tay ngoài trời, hãy sử dụng dây nối dài phù hợp để sử dụng ngoài trời.** Sử dụng dây điện phù hợp để sử dụng ngoài trời sẽ giúp giảm nguy cơ bị điện giật.
- f. **Nếu bắt buộc phải vận hành dụng cụ điện cầm tay ở nơi ẩm ướt, hãy sử dụng nguồn được bảo vệ bởi thiết bị ngắt mạch tự động (RCD).** Sử dụng RCD giúp giảm nguy cơ bị điện giật.

#### 3. An toàn cá nhân

- a. **Hãy tập trung, chú ý vào những gì bạn đang làm và tinh táo khi vận hành dụng cụ điện cầm tay.** Không sử dụng dụng cụ điện cầm tay khi bạn đang mệt hoặc chịu ảnh hưởng của rượu bia, ma túy hoặc chất kích thích. Chỉ một khoảnh khắc mất tập trung trong khi vận hành dụng cụ điện cầm tay cũng có thể dẫn đến chấn thương cá nhân nghiêm trọng.
- b. **Sử dụng thiết bị bảo hộ cá nhân.** Luôn đeo kính bảo hộ. Thiết bị bảo hộ như mặt nạ chống bụi, giày chống trượt, mũ cứng hoặc thiết bị bảo vệ tai - nếu được sử dụng ở những điều kiện phù hợp - sẽ giúp giảm các chấn thương cá nhân.
- c. **Tránh vô tình bật máy.** Đảm bảo công tắc ở vị trí tắt trước khi nối với nguồn điện và/hoặc pin, khi cầm lên hoặc mang dụng cụ. Việc cầm dụng cụ điện cầm tay khi ngón tay đặt vào công tắc hoặc sạc pin cho dụng cụ điện cầm tay khi công tắc đang bật có thể gây tai nạn.
- d. **Hãy tháo hết khóa điều chỉnh hoặc cờ lê trước khi bật dụng cụ điện cầm tay.** Cờ lê hoặc khóa vẫn để ở bộ phận quay của dụng cụ điện cầm tay có thể dẫn đến chấn

thương cá nhân.

- e. **Không được với tay. Hãy luôn đứng đúng tư thế và giữ thẳng bằng.** Điều đó giúp kiểm soát dụng cụ điện cầm tay tốt hơn trong các tình huống bất ngờ.
  - f. **Mặc quần áo phù hợp. Không mặc quần áo rộng hoặc đeo đồ trang sức. Giữ cho tóc, quần áo và gang tay tránh xa các bộ phận chuyển động.** Quần áo rộng, đồ trang sức hoặc tóc dài có thể bị mắc vào các bộ phận chuyển động.
  - g. **Nếu các thiết bị được cung cấp để nối các phương tiện hút và gom bụi, hãy đảm bảo những thiết bị này được nối và sử dụng đúng cách.** Sử dụng thiết bị gom bụi có thể giảm các nguy cơ liên quan đến bụi.
- 4. Sử dụng và bảo quản dụng cụ điện cầm tay**
- a. **Sử dụng dụng cụ điện cầm tay phù hợp.** Sử dụng dụng cụ điện cầm tay phù hợp với mục đích của bạn. Dụng cụ điện cầm tay phù hợp sẽ giúp bạn làm việc hiệu quả và an toàn hơn theo đúng tốc độ được thiết kế.
  - b. **Không sử dụng dụng cụ điện cầm tay nếu công tắc không bật và tắt được.** Mọi dụng cụ điện cầm tay không điều khiển được bằng công tắc đều rất nguy hiểm và cần phải được sửa chữa.
  - c. **Rút phích cắm dụng cụ điện cầm tay khỏi nguồn điện và/hoặc pin trước khi thực hiện các điều chỉnh, thay đổi phụ kiện hoặc cất giữ dụng cụ.** Các biện pháp an toàn phòng ngừa đó giúp giảm nguy cơ khởi động dụng cụ điện cầm tay một cách tình cờ.
  - d. **Bảo quản các dụng cụ điện cầm tay không sử dụng tránh xa tầm tay trẻ em và không cho phép những người không quen với dụng cụ điện cầm tay hoặc những hướng dẫn này vận hành dụng cụ điện cầm tay.** Dụng cụ điện cầm tay sẽ rất nguy hiểm khi được sử dụng bởi những người chưa được huấn luyện.
  - e. **Bảo trì dụng cụ điện cầm tay. Kiểm tra các bộ phận di chuyển xem có bị lắp lệch hoặc kẹt không, các bộ phận có bị vỡ không và bất kỳ tình trạng nào khác có thể ảnh hưởng đến việc vận hành dụng cụ.** Nếu dụng cụ điện cầm tay bị hỏng, hãy sửa chữa trước khi sử dụng. Rất

nhieu tai nạn xảy ra do công tác bảo trì các dụng cụ điện cầm tay kém.

- f. **Đảm bảo các thiết bị cắt luôn sắc và sạch sẽ.** Các dụng cụ cắt được bảo trì đúng cách với các cạnh cắt sắc sẽ ít bị kẹt hơn và dễ điều khiển hơn.
- g. **Sử dụng dụng cụ điện cầm tay, các phụ kiện và mũi khoan, v.v. theo các hướng dẫn này, chú ý đến các điều kiện làm việc và công việc cần thực hiện.** Sử dụng dụng cụ điện cầm tay sai mục đích có thể gây nguy hiểm.

**5. Sử dụng và bảo quản pin**

- a. **Chỉ sạc lại pin bằng bộ sạc do nhà sản xuất quy định.** Bộ sạc chỉ thích hợp cho một loại pin có thể tạo nguy cơ cháy khi được sử dụng với loại pin khác.
- b. **Chỉ sử dụng dụng cụ điện cầm tay với các loại pin được chỉ định cụ thể.** Sử dụng pin khác có thể tạo nguy cơ bị chấn thương và nguy cơ cháy.
- c. **Không sử dụng pin, để pin xa các vật dụng kim loại như kẹp giấy, tiền đồng, chìa khóa, đinh, vít hay các vật dụng kim loại nhỏ khác có thể tạo kết nối từ cực này sang cực khác.** Các cực của pin bị chạm mạch với nhau có thể khiến người vận hành bị bỏng hoặc gây ra hỏa hoạn.
- d. **Nếu lạm dụng pin, dung dịch có thể chảy ra từ pin; tránh tiếp xúc. Nếu vô tình tiếp xúc, rửa lại bằng nước. Nếu chất lỏng dính vào mắt, hãy đến cơ sở y tế nhờ can thiệp.** Chất lỏng chảy ra từ pin có thể gây kích ứng hoặc bỏng da.

**6. Bảo dưỡng**

- a. **Hãy để nhân viên bảo dưỡng có chuyên môn tiến hành bảo dưỡng dụng cụ điện cầm tay cho bạn và chỉ sử dụng các bộ phận thay thế chính hãng.** Điều này giúp đảm bảo độ an toàn của dụng cụ điện cầm tay đó.

**Các quy tắc an toàn cụ thể bổ sung cho máy khoan/máy bắt vít**

- **Đeo thiết bị bảo vệ tai khi làm việc với máy khoan búa.** Việc tiếp xúc với tiếng ồn có thể làm giảm thính lực.
- **Sử dụng tay cầm phụ, nếu được cung cấp kèm theo dụng cụ.** Việc mất khả năng

kiểm soát có thể gây chấn thương cá nhân.

- **Chỉ cầm dụng cụ điện cầm tay ở phần bề mặt tay cầm cách điện khi thực hiện thao tác mà phụ kiện cắt có thể tiếp xúc với hệ thống dây điện chìm.** Phụ kiện cắt tiếp xúc với dây "có điện" có thể làm dây điện bị hở và khiến người vận hành bị điện giật.

### Các nguy cơ khác

Cho dù áp dụng các quy tắc an toàn liên quan và dùng các thiết bị an toàn cũng không thể tránh được một số nguy cơ khác.

Những nguy cơ này gồm:

- Suy giảm thính lực.
- Nguy cơ chấn thương cá nhân do các hạt bay vào người.
- Nguy cơ bị bỏng do các phụ kiện trở nên nóng trong khi vận hành.
- Nguy cơ chấn thương cá nhân do sử dụng trong thời gian dài.

### KÝ HIỆU TRÊN DỤNG CỤ

Trên dụng cụ của bạn có thể có những ký hiệu sau:



**CẢNH BÁO!** Để giảm nguy cơ chấn thương, người dùng phải đọc hướng dẫn sử dụng.

### VỊ TRÍ MÃ NGÀY

Mã ngày, bao gồm cả năm sản xuất, được in trên vỏ máy.

Ví dụ:

2015 XX JN  
Năm sản xuất

### Hướng dẫn an toàn quan trọng cho mọi bộ sạc pin

**GIỮ LẠI CÁC HƯỚNG DẪN NÀY:** Tài liệu hướng dẫn này bao gồm những hướng dẫn an toàn và vận hành quan trọng dành cho bộ sạc pin SC122 (SC121).

- Trước khi sử dụng bộ sạc, hãy đọc tất cả chỉ dẫn và những lưu ý ghi trên bộ sạc pin, pin và sản phẩm chạy bằng pin.



**CẢNH BÁO:** Nguy cơ điện giật. Không để bất kỳ chất lỏng nào lọt

vào bên trong bộ sạc. Có thể dẫn đến điện giật.



**THẬN TRỌNG:** Nguy cơ gây bỏng. Để giảm nguy cơ chấn thương, chỉ sạc pin có thể sạc lại của STANLEY. Sạc các loại pin khác có thể gây cháy dẫn đến chấn thương cá nhân và hỏng pin.



**THẬN TRỌNG:** Phải giám sát để đảm bảo trẻ không nghịch thiết bị.

**LƯU Ý:** Trong một số trường hợp, bộ sạc vẫn cắm vào nguồn điện, bộ sạc có thể bị chập mạch do chất lạ. Không để các chất lạ có tính dẫn điện chẳng hạn như, nhưng không giới hạn ở, bông thép, lá nhôm hoặc bất kỳ sự tích tụ nào của các hạt kim loại dính vào các hốc của bộ sạc. Luôn rút phích cắm bộ sạc ra khỏi nguồn điện khi không có pin trong hốc bộ sạc. Rút phích cắm trước khi vệ sinh bộ sạc.

- **KHÔNG sạc pin bằng bất kỳ bộ sạc nào không được khuyến dùng trong hướng dẫn sử dụng này.** Bộ sạc này được thiết kế riêng cho loại pin này.
- **Những bộ sạc này chỉ được thiết kế để sạc pin sạc lại được của STANLEY.** Sử dụng bộ sạc này cho các mục đích khác có thể gây nguy cơ hỏa hoạn, sốc điện hoặc giật điện.
- **Không để bộ sạc dưới trời mưa hoặc tuyết.**
- **Khi ngắt kết nối bộ sạc, nên cầm tay ở phần phích cắm, không nên kéo bằng dây điện.** Điều này sẽ giúp giảm nguy cơ hỏng phích cắm và dây điện.
- **Đặt dây điện ở vị trí thích hợp để tránh người khác dẫm lên dây, vướng vào dây hoặc làm hỏng hoặc làm căng dây.**
- **Không sử dụng dây nối dài trừ trường hợp thực sự cần thiết.** Sử dụng dây nối dài không thích hợp có thể dẫn đến nguy cơ hỏa hoạn, sốc điện hoặc giật điện.
- **Không để bất cứ vật gì lên trên bộ sạc hoặc không đặt bộ sạc lên trên bề mặt mềm khiến cho các khe thông gió bị chắn và làm cho nhiệt độ bên trong dụng cụ tăng quá cao.** Đặt bộ sạc ở nơi cách xa mọi nguồn nhiệt. Bộ sạc được thông gió qua các khe ở phía trên và phía dưới vỏ.
- **Không sử dụng bộ sạc khi dây điện hoặc**

**phích cắm bị hỏng** — thay ngay dây điện hoặc phích cắm hỏng.

- **Không sử dụng nếu bộ sạc bị va đập mạnh, bị rơi hoặc bị hỏng trong bất kỳ trường hợp nào.** Hãy mang bộ sạc đến trung tâm dịch vụ được ủy quyền.
- **Không tháo rời bộ sạc; hãy đem bộ sạc đến trung tâm dịch vụ được ủy quyền khi cần bảo dưỡng hoặc sửa chữa.** Việc lắp lại không đúng có thể dẫn đến nguy cơ bị sốc điện, giật điện hoặc hỏa hoạn.
- Trong trường hợp dây cáp nguồn bị hỏng, việc thay thế phải được thực hiện ngay bởi nhà sản xuất, đại lý bảo dưỡng hoặc người có đủ chuyên môn để tránh gây nguy hiểm.
- **Ngắt kết nối bộ sạc khỏi ổ cắm điện trước khi vệ sinh. Điều này sẽ giúp giảm nguy cơ bị giật điện.** Tháo pin sẽ không giúp giảm nguy cơ này.
- **TUYỆT ĐỐI** không nối 2 bộ sạc với nhau.
- **Bộ sạc được thiết kế để hoạt động bằng nguồn điện gia đình chuẩn. Không cắm bộ sạc vào nguồn điện có điện áp khác.** Điều này không áp dụng với bộ sạc của phương tiện.

Tham khảo các bảng dưới đây để biết thông tin về tình trạng sạc pin.

Tình trạng sạc		SC122
đang sạc	-- -- -- --	nháy xanh
đã sạc đầy	————	đèn xanh
pin nóng	-- --	nháy đỏ
Lỗi pin	.....	Đèn đỏ

**NGỪNG SẠC PIN DO QUÁ NÓNG/LẠNH SC122(SC121)**

Khi bộ sạc phát hiện pin quá nóng, bộ sạc sẽ tự động ngừng sạc cho đến khi pin đã nguội.

Khi bộ sạc phát hiện pin quá lạnh, bộ sạc sẽ tự động ngừng sạc cho đến khi pin đã nóng.

Đèn đỏ sẽ tiếp tục nhấp nháy, trong khi đèn báo màu vàng sẽ sáng trong suốt quá trình hoạt động này. Khi pin đã nguội, đèn vàng sẽ tắt và bộ sạc sẽ tiếp tục quá trình sạc pin.

Dụng cụ chạy pin Li-Ion của Stanley được thiết kế bao gồm Hệ thống bảo vệ điện tử giúp bảo vệ pin khỏi hiện tượng quá tải, quá nhiệt hoặc xả kiệt.

Dụng cụ này sẽ tự động tắt nếu Hệ thống Bảo vệ Điện tử bật. Nếu điều này xảy ra, đặt pin Li-Ion trong bộ sạc cho đến khi sạc đầy.

**CHỈ LOẠI PIN LI-ION**

Pin Li-Ion được thiết kế bao gồm Hệ thống Bảo vệ điện tử giúp bảo vệ pin khỏi hiện tượng quá tải, quá nhiệt hoặc xả kiệt.

Dụng cụ này sẽ tự động tắt nếu Hệ thống Bảo vệ Điện tử bật. Nếu điều này xảy ra, đặt pin Li-Ion trong bộ sạc cho đến khi sạc đầy.

**Hướng dẫn an toàn quan trọng dành cho mọi loại pin**

Khi yêu cầu thay thế pin, hãy đảm bảo rằng có số catalog và điện áp.

Pin chưa được sạc đầy khi bạn lấy pin ra khỏi hộp. Trước khi sử dụng pin và bộ sạc, hãy đọc các hướng dẫn về an toàn dưới đây. Sau đó, hãy tuân thủ quy trình sạc được phác thảo.

**Đọc tất cả hướng dẫn**

- **Không sạc hoặc sử dụng pin trong các môi trường dễ cháy nổ, chẳng hạn như các môi trường có chất lỏng, khí hoặc bụi dễ cháy.** Lắp hoặc tháo pin ra khỏi bộ sạc có thể gây cháy bụi hoặc bốc khói.
- **Tuyệt đối không có lắp pin vào bộ sạc. Không được sửa đổi pin theo bất kỳ**

**GIỮ LẠI CÁC HƯỚNG DẪN NÀY**

**Bộ sạc**

Bộ sạc SC122(SC121) phù hợp để sạc các pin Li-Ion 12V Max.

Bộ sạc này không cần điều chỉnh và được thiết kế sao cho vận hành dễ dàng hết mức có thể.

**Quy trình sạc pin (hình 2)**

1. Cắm phích cắm bộ sạc (j) vào ổ cắm phù hợp trước khi lắp pin.
2. Lắp pin (g) vào bộ sạc. Đèn màu đỏ (đang sạc) nhấp nháy liên tục cho biết quá trình sạc đã bắt đầu.
3. Khi đèn màu đỏ SÁNG liên tục nghĩa là đã sạc xong. Pin đã được sạc đầy và có thể được sử dụng ngay hoặc để lại trong bộ sạc.

**LƯU Ý:** Để đảm bảo hiệu suất và tuổi thọ tối đa của pin Li-Ion, hãy sạc đầy pin trước lần sử dụng đầu tiên.

**Quá trình sạc pin**

**cách nào để lắp vừa vào bộ sạc không tương thích vì pin có thể gây gây ra chấn thương cá nhân nghiêm trọng.**

- Chỉ sạc pin bằng bộ sạc STANLEY.
- **KHÔNG** vẩy nước vào pin hoặc nhúng pin vào nước hoặc các chất lỏng khác.
- **Không bảo quản hoặc sử dụng dụng cụ và pin ở nơi có nhiệt độ có khả năng lớn hơn hoặc bằng 40 °C (105 °F) (chẳng hạn như bên ngoài xưởng hoặc các công trình xây dựng bằng kim loại vào mùa hè).**



**CẢNH BÁO:** Tuyệt đối không mở pin vì bất cứ lý do gì. Nếu vỏ pin bị nứt hoặc bị hỏng, không được lắp vào bộ sạc. Không đề lên, đánh rơi hoặc làm hỏng pin. Không sử dụng pin hoặc bộ sạc bị va đập mạnh, bị rơi, bị dẫm lên hoặc bị làm hỏng bằng bất kỳ cách nào (ví dụ: bị móng tay chọc vào, bị búa đập vào, bị dẫm lên). Điều này có thể gây sốc điện hoặc giật điện. Nên trả lại pin bị hỏng cho trung tâm dịch vụ để tái chế.



**THẬN TRỌNG:** Khi không sử dụng, đặt nhúm dụng cụ trên bề mặt chắc chắn để dụng cụ không bị trượt hoặc bị rơi. Một số dụng cụ có pin lớn sẽ đứng thẳng được nhờ có pin nhưng dễ bị đổ.

## HƯỚNG DẪN AN TOÀN CỤ THỂ ĐỐI VỚI LITHIUM ION (Li-Ion)

- **Không thiêu hủy pin ngay cả khi pin đã hỏng hoàn toàn hoặc bị mòn hết.** Pin có thể nổ khi bị thiêu hủy. Việc thiêu hủy pin sẽ sinh ra khói và các chất độc.
- **Nếu dung dịch của pin dính vào da của bạn, hãy rửa ngay bằng xà phòng có tính tẩy nhẹ và nước.** Nếu chất lỏng chảy ra từ pin dính vào mắt, hãy mở mắt và rửa mắt bằng nước sạch trong 15 phút hoặc cho tới khi hết bị kích ứng. Hãy tìm sự trợ giúp y tế nếu bạn tiếp xúc với chất điện phân của pin bao gồm hỗn hợp cacbonat hữu cơ lỏng và muối lithi.
- **Dung dịch chảy ra từ pin hở có thể gây ra kích ứng hô hấp.** Hãy hít thở không khí trong lành. Nếu không hết các triệu chứng, hãy tìm sự trợ giúp y tế.



**CẢNH BÁO:** Nguy cơ gây bỏng. Chất lỏng chảy ra từ pin có thể bắt

lửa nếu tiếp xúc với tia lửa hoặc ngọn lửa.

## Vận chuyển

PIN STANLEY tuân thủ tất cả các quy định vận chuyển hiện hành theo tiêu chuẩn công nghiệp và quy phạm pháp luật bao gồm Khuyến nghị của Liên hợp quốc về vận chuyển hàng hóa nguy hiểm; Hiệp hội vận tải hàng không quốc tế (IATA), Quy định hàng hóa nguy hiểm, Quy định về hàng hóa nguy hiểm trong hàng hải quốc tế (IMDG) và Hiệp định của Châu Âu về Vận chuyển quốc tế hàng nguy hiểm bằng đường bộ (ADR). Pin Lithium-ion đã được thử nghiệm theo phần 38.3 của Khuyến nghị của Liên Hợp Quốc về vận chuyển hàng hóa nguy hiểm, Sách hướng dẫn thử nghiệm và tiêu chí.

Trong hầu hết các trường hợp, việc vận chuyển pin STANLEY sẽ không bị phân loại là vật liệu nguy hại Loại 9 như đã quy định. Nhìn chung, cả hai trường hợp yêu cầu loại hình vận chuyển Loại 9 là:

1. Khi vận chuyển nhiều pin li-ion STANLEY bằng đường hàng không khi kiện hàng chỉ chứa pin (không có dụng cụ) và
2. Bất kỳ lô hàng có chứa pin lithium-ion nào có mức năng lượng lớn hơn 100 watt giờ (Wh). Tất cả pin lithium-ion đều có ghi mức watt giờ trên pin.

Cho dù lô hàng nằm trong trường hợp ngoại lệ hoặc hoàn toàn theo quy định, việc tham khảo quy định mới nhất đối với việc đóng gói, dán nhãn/đánh dấu và yêu cầu tài liệu thuộc trách nhiệm của người gửi.

Việc vận chuyển pin có thể gây cháy nổ nếu các cực pin vô tình tiếp xúc với các vật dẫn điện. Khi vận chuyển pin, đảm bảo rằng các cực của pin được bảo vệ đồng thời được cách ly khỏi các vật liệu có thể kết nối các cực của pin với nhau và gây hiện tượng chập mạch.

Thông tin được cung cấp trong phần này của sách hướng dẫn là đáng tin cậy và chính xác tại thời điểm tạo ra tài liệu này. Tuy nhiên, không cung cấp bảo hành, dưới hình thức nêu rõ ràng hay ngụ ý. Người mua chịu trách nhiệm đảm bảo rằng các hoạt động phải tuân thủ theo các quy định hiện hành.

## Pin

### LOẠI PIN

SCH12 vận hành bằng pin 12V Max.

## Khuyến cáo bảo quản

1. Nên bảo quản ở nơi mát mẻ và khô ráo, tránh ánh sáng mặt trời chiếu trực tiếp và không quá nóng hoặc quá lạnh. Để có hoạt động và tuổi thọ pin tối ưu, hãy bảo quản pin ở nhiệt độ phòng khi không sử dụng.
2. Đối với việc bảo quản trong thời gian dài, chúng tôi khuyến bạn nên bảo quản pin đã sạc đầy ở nơi khô ráo thoáng mát và tháo khỏi bộ sạc để cho kết quả tối ưu.

**LƯU Ý:** Khi bảo quản pin, không nên để pin ở trạng thái hoàn toàn hết điện. Cần sạc lại pin trước khi sử dụng.

## Nhãn trên bộ sạc và pin

Ngoài hình được sử dụng trong tài liệu hướng dẫn này, nhãn trên bộ sạc và pin có thể chỉ các hình vẽ sau:



Đọc kỹ hướng dẫn sử dụng trước khi dùng.



gian

Xem **Thông số kỹ thuật** để biết thời gian sạc pin.



Đang sạc pin.



Đã sạc pin.



Pin hỏng.



Ngừng sạc pin do quá nóng/lạnh.



điện.

Không kiểm tra bằng các đồ vật dẫn



Không sạc pin đã hỏng.



Không được tiếp xúc với nước.



Lập tức thay dây nguồn đã hỏng.



Chỉ sạc ở mức nhiệt độ 4 °C và 40 °C.



Chỉ sử dụng trong nhà.



Thận trọng khi thải bỏ pin để bảo vệ môi trường.



Chỉ sạc pin STANLEY bằng bộ sạc STANLEY được chỉ định. Việc sạc pin khác ngoài pin STANLEY được chỉ định bằng bộ sạc STANLEY có thể làm cho chúng bị nổ hoặc gây ra các tình huống nguy hiểm khác.



Không đốt pin.

## Thiết bị trong hộp

Hộp sản phẩm bao gồm:

- 1 MÁY KHOAN BÚA DÙNG
- 1 Bộ sạc
- 2 Pin (S2) hoặc 1 pin (S1)
- 1 Hướng dẫn sử dụng

**LƯU Ý:** Pin và bộ sạc không được bao gồm trong kiểu máy N.

•Kiểm tra dụng cụ, các bộ phận hoặc phụ kiện xem có bị hư hỏng do quá trình vận chuyển hay không.

- Dùng thời gian đọc kỹ và hiểu rõ hướng dẫn sử dụng trước khi vận hành máy.

## Mô tả (hình 1)



**CẢNH BÁO:** Không sửa đổi dụng cụ điện cầm tay hay bất kỳ bộ phận nào của máy. Việc sửa có thể làm hỏng dụng cụ điện cầm tay hoặc gây chấn thương cá nhân.

- a. Công tắc điều tốc biến thiên
- b. Nút đảo chiều thuận/ngịch
- c. Vòng điều chỉnh mô men
- d. Bộ gạt số
- e. Đầu kẹp không khóa
- f. Nút nhà pin
- g. Pin
- h. Đèn LED
- k. Vòng chức năng

## MỤC ĐÍCH SỬ DỤNG

Máy khoan/máy bắt vít này được thiết kế để bắt vít và khoan nhẹ.

**KHÔNG** sử dụng máy ở những nơi ẩm ướt hoặc có chất lỏng hoặc khí dễ cháy.

Máy khoan/máy bắt vít này là dụng cụ cầm tay chuyên nghiệp.

**KHÔNG** để trẻ em tiếp xúc với dụng cụ. Cần phải có người giám sát khi dụng cụ này được vận hành bởi người chưa có kinh nghiệm.

- Không cho phép những người (bao gồm cả trẻ em) bị suy giảm năng lực thể chất, trí tuệ hoặc cảm giác, hay người thiếu kinh nghiệm và/hoặc kiến thức hoặc kỹ năng sử dụng dụng cụ điện cầm tay này, trừ khi có sự giám sát của người chịu trách nhiệm về vấn đề an toàn của họ. Tuyệt đối không để trẻ em một mình với sản phẩm này.

## An toàn Điện

Động cơ điện chỉ được thiết kế với một mức điện áp. Luôn kiểm tra điện áp pinxem có bằng với điện áp trên tấm định mức hay không. Luôn chắc chắn rằng điện áp của bộ sạc tương ứng với điện áp dụng cụ của mình.



Bộ sạc STANLEY của bạn đã được cách điện kép theo tiêu chuẩn EN 60335; do vậy không cần dây nối đất.

Nếu dây cáp điện bị hỏng, phải thay bằng dây mới được cung cấp riêng tại cơ sở bảo dưỡng của STANLEY.

## Sử dụng dây nối dài

Không nên sử dụng dây điện nối dài trừ trường hợp thực sự cần thiết. Sử dụng dây nối dài được chấp thuận - phù hợp với dòng điện đầu vào của bộ sạc (xem **Thông số kỹ thuật**). Kích cỡ tối thiểu cho phần dẫn điện là 1 mm<sup>2</sup>; chiều dài tối đa là 30 m.

Khi sử dụng tang dây, luôn trải hết dây ra.

## Lắp ráp và điều chỉnh



**CẢNH BÁO:** Luôn tháo pin trước khi lắp ráp và điều chỉnh. Luôn ngắt điện dụng cụ trước khi lắp hoặc tháo pin.



**CẢNH BÁO:** Chỉ sử dụng pin và sạc của hãng STANLEY.

## Lắp và tháo

### Pin khỏi dụng cụ (hình 3)



**CẢNH BÁO:** Để giảm nguy cơ chấn thương cá nhân nghiêm trọng, chuyển nút thuận/ngịch vào vị trí tắt hoặc tắt máy và tháo

pin trước khi thực hiện bất kỳ điều chỉnh nào hoặc tháo/lắp các đồ gá hoặc phụ kiện. Việc bắt ngờ khởi động cũng có thể gây chấn thương.

**LƯU Ý:** Đảm bảo pin (g) đã được sạc đầy.

### ĐỂ LẮP PIN VÀO TAY CẦM CỦA DỤNG CỤ

1. Đặt pin vào các rãnh bên trong tay cầm.
2. Trượt pin chắc chắn vào đúng vị trí cho đến khi nghe thấy khóa phát ra tiếng tách.

### ĐỂ THÁO PIN RA KHỎI DỤNG CỤ

1. Nhấn nút nhà (f) rồi kéo pin một cách dứt khoát ra khỏi tay cầm dụng cụ.
2. Lắp pin vào bộ sạc theo đúng mô tả trong phần về bộ sạc của cuốn hướng dẫn này.

## Vận hành

### Hướng dẫn sử dụng



**CẢNH BÁO:** Luôn tuân theo các hướng dẫn và quy tắc hiện hành về an toàn.



**CẢNH BÁO:** Để giảm nguy cơ chấn thương cá nhân nghiêm trọng, chuyển nút thuận/ngịch vào vị trí tắt hoặc tắt máy và tháo pin trước khi thực hiện bất kỳ điều chỉnh nào hoặc tháo/lắp các đồ gá hoặc phụ kiện.

### Vị trí tay phù hợp (hình 1, 8)



**CẢNH BÁO:** Để giảm nguy cơ chấn thương cá nhân nghiêm trọng, **LUÔN** để tay ở vị trí phù hợp như trong hình vẽ.



**CẢNH BÁO:** Để giảm nguy cơ chấn thương cá nhân nghiêm trọng, **LUÔN** giữ chặt tay để tránh trường hợp bị giật lại đột ngột.

Vị trí tay phù hợp là một tay cầm vào tay cầm chính (i).

### Công tắc khởi động tốc độ biến thiên (hình 1)

Để bật dụng cụ lên, ấn công tắc khởi động (a). Để tắt dụng cụ, nhả công tắc khởi động. Dụng cụ cần được trang bị phanh. Đầu kẹp sẽ dừng lại khi bạn nhả hết công tắc khởi động.



Công tắc điều tốc cho phép bạn chọn tốc độ phù hợp nhất cho một ứng dụng cụ thể. Bạn càng ấn mạnh công tắc khởi động, dụng cụ vận hành càng nhanh. Để kéo dài tối đa tuổi thọ của dụng cụ, chỉ sử dụng tốc độ biến thiên khi bắt đầu khoan lỗ hoặc bắt đinh ghim

**LƯU Ý:** Không nên sử dụng liên tục phạm vi tốc độ biến thiên. Điều này có thể làm hỏng công tắc và nên tránh sử dụng.

## Nút đảo chiều thuận/ngịch (hình 1)

Nút đảo chiều thuận/ngịch xác định hướng của dụng cụ và cũng có chức năng như một nút khóa. Để chọn vòng quay thuận, nhả công tắc khởi động và ấn nút đảo chiều thuận/ngịch ở phía bên phải của dụng cụ.

Để chọn vòng quay nghịch, ấn nút đảo chiều thuận/ngịch ở phía bên trái của dụng cụ. Vị trí ở giữa của nút đảo chiều sẽ khóa dụng cụ về vị trí tắt. Khi thay đổi vị trí của nút đảo chiều, phải đảm bảo đã nhả nút khởi động.

**LƯU Ý:** Vận hành dụng cụ lần đầu tiên sau khi đổi hướng quay, bạn có thể nghe thấy tiếng lách cách khi khởi động. Điều này là bình thường và không gây ảnh hưởng gì.

## Đèn làm việc (hình 1)

Đèn làm việc (h) nằm ngay phía dưới vòng điều chỉnh mô men (c). Đèn làm việc được kích hoạt khi bạn ấn công tắc khởi động.

**LƯU Ý:** Đèn làm việc được sử dụng để chiếu sáng trực tiếp bề mặt phải và không thực hiện chức năng của đèn pin.

## Vòng điều chỉnh mô men (hình 1)

Xoay (k) đến ký hiệu chiếc vít. Vòng điều chỉnh mô men (c) được đánh dấu rõ ràng bằng số và ký hiệu mũi khoan. Phải xoay vòng điều chỉnh này cho tới khi vị trí mong muốn xoay lên phía trên cùng của dụng cụ. Vòng điều chỉnh được trang bị chốt định vị để người dùng không phải ước tính khi chọn mô men bắt vít. Số trên vòng điều chỉnh càng cao, mô men càng lớn và đầu cặp - có thể được điều chỉnh - càng rộng. Để khóa khớp ly hợp khi tiến hành khoan, xoay vòng chức năng (k) đến vị trí mũi khoan.

**LƯU Ý:** Khi sử dụng máy khoan búa/máy bắt vít để khoan lỗ, đảm bảo đặt vòng chức năng sao cho hình mũi khoan thẳng với đường trục ở trên cùng của dụng cụ. Nếu không làm như vậy, khớp ly hợp sẽ bị trượt ra khi đang khoan.

## Hộp số hai tốc độ (hình 1, 4)

Tính năng hai tốc độ của máy khoan/máy vặn vít này cho phép bạn chuyển số để vận hành linh hoạt hơn.

Để chọn tốc độ thấp, cài đặt mô men cao, tắt dụng cụ rồi chờ dụng cụ dừng hẳn. Trượt bộ gạt số (d) về phía trước (về phía đầu kẹp). Để chọn tốc độ cao, cài đặt mô men thấp, tắt dụng cụ rồi chờ dụng cụ dừng hẳn. Trượt bộ gạt số về phía sau (ra xa đầu kẹp).

**LƯU Ý:** Không chuyển số khi dụng cụ đang chạy. Nếu bạn gặp khó khăn khi chuyển số, đảm bảo bộ gạt số hai tốc độ được đẩy hết về phía trước hoặc phía sau.

## Đầu kẹp một khớp không khóa (hình 5)

Dụng cụ này được trang bị đầu kẹp không khóa có khớp quay để quay đầu kẹp bằng một tay. Để lắp mũi khoan hoặc phụ kiện khác, làm theo các bước sau.

1. Khóa công tắc khởi động vào vị trí OFF như đã mô tả ở trên.
2. Một tay cầm khớp nối màu đen của đầu kẹp, tay còn lại cố định dụng cụ. Quay khớp nối ngược chiều kim đồng hồ ra đủ xa để có thể lắp vừa phụ kiện mong muốn.
3. Một tay lắp phụ kiện khoảng 19 mm (3/4 inch) vào đầu kẹp rồi vặn chặt bằng cách quay khớp nối đầu kẹp theo chiều kim đồng hồ trong khi tay còn lại vẫn giữ dụng cụ. Dụng cụ này được trang bị cơ cấu khóa trực tự động. Cơ cấu này cho phép bạn mở và đóng đầu kẹp bằng một tay.

Để tháo phụ kiện, lặp lại bước 2 nêu trên.



**CẢNH BÁO:** Không xiết chặt mũi khoan (hoặc bất kỳ phụ kiện nào khác) bằng cách kẹp phần mặt trước của đầu kẹp và bật dụng cụ. Việc này có thể khiến đầu kẹp bị hỏng và gây chấn thương cá nhân. Luôn khóa công tắc khởi động khi thay phụ kiện.

Đảm bảo vặn chặt đầu kẹp bằng cách cầm một tay vào khớp nối đầu kẹp và tay còn lại cầm vào dụng cụ để vặn thật chặt.

## THÁO ĐẦU KẸP (HÌNH 6)

Xoay vòng điều chỉnh tới vị trí "khoan" và bộ gạt số tới vị trí 1 (tốc độ thấp). Vặn chặt đầu ngắn hơn của khóa lục giác (không cung cấp kèm

theo) có kích thước lớn hơn hoặc bằng 6,35 mm (1/4 inch) vào đầu kẹp. Dùng búa gỗ hoặc vật tương tự, đập vào đầu dài hơn theo chiều kim đồng hồ như được minh họa trong hình. Điều này sẽ giúp vận lỏng vít bên trong đầu kẹp.

Mở hết mô đầu kẹp, lắp máy bắt vít (hoặc dụng cụ Torx nếu cần) vào phía trước của đầu kẹp giữa các mô để khớp với đầu vít. Xoay vít theo chiều kim đồng hồ để tháo (ren nghịch). Đặt khóa lực giác vào trong đầu kẹp rồi vận chặt như được mô tả trong Hình 6. Sử dụng búa gỗ hoặc vật tương tự, đập mạnh vào khóa lực giác theo hướng ngược chiều kim đồng hồ. Điều này sẽ giúp vận lỏng đầu kẹp để bạn có thể tháo vít bằng tay.

### LẮP ĐẦU KẸP (HÌNH 7)

Dùng tay vận hết cỡ đầu kẹp rồi lắp vít (ren nghịch). Vận chặt vít. Vận chặt đầu kẹp quanh đầu ngắn hơn của khóa lực giác có kích thước lớn hơn hoặc bằng 6,35 mm (1/4 inch) (không được cung cấp theo dụng cụ) vào đầu kẹp, dùng búa gỗ đập vào đầu dài hơn theo chiều kim đồng hồ như được mô tả trong hình. Vận chặt vít một lần nữa bằng cách xoay theo hướng ngược chiều kim đồng hồ.

### Vận hành Khoan



**CẢNH BÁO:** Để giảm nguy cơ chấn thương cá nhân nghiêm trọng, hãy tắt dụng cụ và ngắt kết nối khỏi nguồn điện trước khi thực hiện bất kỳ điều chỉnh nào hoặc tháo/lắp các đồ gá hoặc phụ kiện.



**CẢNH BÁO:** Để giảm nguy cơ chấn thương cá nhân, **LUÔN** đảm bảo phôi gia công đã được neo hoặc kẹp chặt. Nếu khoan vật liệu mỏng, sử dụng khối gỗ "kê" để không làm hỏng vật liệu.

Xoay vòng điều khiển tới ký hiệu mũi khoan để khoan. Chọn tốc độ/giới hạn mô men mong muốn bằng cách sử dụng bộ gạt số khớp với tốc độ và mô men của chế độ vận hành dự kiến.

- Chỉ sử dụng mũi khoan sắc. Khi khoan GỖ, sử dụng các mũi khoan xoắn, mũi khoan hình mai hoặc mũi khoét. Khi khoan KIM LOẠI, dùng mũi khoan xoắn bằng thép có tốc độ cao (HHS) hoặc mũi khoét.
- Luôn đặt áp lực lên trên một đường thẳng với mũi khoan. Tác dụng lực để cố định máy khoan nhưng không được ấn mạnh tới

mức khiến động cơ ngừng hoạt động hoặc làm hỏng mũi khoan.

- Dùng cả hai tay giữ chặt máy để kiểm soát lực xoắn của máy khoan.



**CẢNH BÁO:** Máy khoan có thể ngừng hoạt động nếu bị quá tải gây ra hiện tượng xoắn đột ngột. Luôn chuẩn bị khắc phục hiện tượng dừng đột ngột. Dùng cả hai tay giữ chặt khoan để kiểm soát động tác xoắn và tránh chấn thương.

- NẾU MÁY KHOAN NGỪNG HOẠT ĐỘNG,** thường là do máy bị quá tải hoặc do sử dụng không đúng cách. **NHÀ CÔNG TÁC KHỞI ĐỘNG NGAY LẬP TỨC,** tháo mũi khoan ra khỏi phôi và xác định nguyên nhân khiến máy ngừng hoạt động. **KHÔNG CỐ BẬT TẮC CÔNG TÁC KHỞI ĐỘNG ĐỂ KHỞI ĐỘNG LẠI KHOAN ĐÃ BỊ NGỪNG HOẠT ĐỘNG – VIỆC NÀY CÓ THỂ LÀM HỎNG KHOAN.**

- Để hạn chế tình trạng chết máy hoặc đâm xuyên qua vật liệu, giảm lực trên khoan và nói lỏng mũi khoan trên phần đoạn cuối của hố khoan.
- Khi rút mũi khoan ra khỏi lỗ khoan, giữ cho động cơ tiếp tục chạy. Điều này sẽ giúp tránh nguy cơ bị kẹt.
- Với khoan có tốc độ biến thiên, không cần đặt mũi khoan vào giữa điểm cần khoan. Khi bắt đầu với lỗ khoan, sử dụng tốc độ thấp và tăng tốc bằng cách ấn công tắc khởi động mạnh hơn khi lỗ khoan đủ sâu để khoan mà không làm mũi khoan bật ra.

### Vận hành máy khoan búa (hình 4)

- Xoay vòng (K) tới ký hiệu máy khoan búa.
- Chọn cài đặt tốc độ cao bằng cách trượt công tắc chọn tốc độ về phía trước (về phía đầu kẹp). Quan trọng: Chỉ sử dụng mũi khoan có đầu cacbua hoặc mũi khoan tương đương.
- Dùng võng đỡ lực khi khoan trên máy khoan búa để giữ cho máy khỏi nảy lên quá nhiều hoặc "giật" mũi khoan. Dùng quá nhiều lực sẽ làm giảm tốc độ khoan, gây hiện tượng quá nhiệt và tốc độ khoan chậm hơn.
- Khoan thẳng, giữ mũi khoan tại góc làm việc phù hợp. Không tác dụng lực ngang lên mũi khoan khi khoan vì điều này sẽ gây ra tác nghẽn rãnh mũi khoan và làm giảm tốc độ khoan.

5. Khi khoan lỗ sâu, nếu tốc độ máy khoan búa bắt đầu giảm, kéo một phần mũi khoan ra khỏi lỗ khi dụng cụ vẫn chạy để giúp loại bỏ vụn sắt ra khỏi lỗ.

**LƯU Ý:** Dòng bụi nhả, đều bay ra từ lỗ cho thấy tốc độ khoan phù hợp.

### Vận hành dụng cụ để bắt vít

Chọn tốc độ/phạm vi mô men mong muốn bằng cách sử dụng bộ gạt số 2 tốc độ trên cùng của dụng cụ để khớp tốc độ và mô men với vận hành dự kiến.

Lắp phụ kiện đầu cặp mong muốn vào đầu kẹp như khi lắp mũi khoan. Làm thử vài lần với mảnh phôi liệu hoặc trên những khu vực không nhìn thấy để xác định vị trí phù hợp của ống kẹp.

### CÔNG SUẤT TỐI ĐA ĐƯỢC KHUYẾN NGHỊ

	Tốc độ thấp-1	Tốc độ cao-2
Mũi khoan, khoan kim loại	6,00 mm	3,00 mm
Gỗ, khoan phẳng	19,00 mm	12,00 mm
Mũi khoét	19,00 mm	16,00 mm

### Bảo trì

Dụng cụ điện cầm tay của STANLEY được thiết kế để vận hành trong thời gian dài và ít phải bảo trì nhất. Dụng cụ vận hành liên tục theo ý muốn tùy thuộc vào việc bảo quản dụng cụ đúng cách và vệ sinh thường xuyên.



**CẢNH BÁO:** Để giảm nguy cơ chấn thương cá nhân nghiêm trọng, chuyển nút thuận/nghịch vào vị trí tắt hoặc tắt máy và tháo pin trước khi thực hiện bất kỳ điều chỉnh nào hoặc tháo/lắp các đồ gá hoặc phụ kiện. Việc bất ngờ khởi động cũng có thể gây chấn thương.

Không được tự ý bảo trì bộ sạc và pin. Không được tự ý bảo trì bất kỳ bộ phận bên trong nào.



### Tra dầu

Dụng cụ điện cầm tay này không cần tra thêm dầu.



### Vệ sinh



**CẢNH BÁO:** Thường xuyên thổi bụi bẩn khỏi vỏ dụng cụ khi thấy bám bụi xung quanh các khe thông gió. Đeo kính bảo hộ và mặt nạ chống bụi được phê duyệt khi thực hiện quy trình này.



**CẢNH BÁO:** Tuyệt đối không sử dụng các dung môi và hóa chất mạnh để vệ sinh các bộ phận không làm bằng kim loại của dụng cụ. Các hóa chất này có thể làm tổn hại đến các nguyên vật liệu sử dụng trong các bộ phận này. Chỉ sử dụng khăn được làm ẩm bằng nước và xả phòng có tính tẩy nhẹ. Tuyệt đối không để chất lỏng vào bên trong dụng cụ; không được ngâm các bộ phận của dụng cụ vào chất lỏng.

### HƯỚNG DẪN VỆ SINH BỘ SẠC



**CẢNH BÁO:** Nguy cơ điện giật. Ngắt kết nối bộ sạc khỏi ổ cắm điện xoay chiều trước khi thực hiện công tác vệ sinh. Bụi và dầu có thể được loại bỏ khỏi vỏ ngoài của bộ sạc bằng cách sử dụng vải hoặc bàn chải mềm phi kim. Không sử dụng nước hoặc bất kỳ dung dịch tẩy rửa nào.

### Hướng dẫn vệ sinh bộ sạc



**CẢNH BÁO:** Nguy cơ điện giật. Ngắt kết nối bộ sạc khỏi ổ cắm điện xoay chiều trước khi thực hiện công tác vệ sinh. Bụi và dầu có thể được loại bỏ khỏi vỏ ngoài của bộ sạc bằng cách sử dụng vải hoặc bàn chải mềm phi kim. Không sử dụng nước hoặc bất kỳ dung dịch tẩy rửa nào.

### Phụ kiện tùy chọn



**CẢNH BÁO:** Vì các phụ kiện, ngoài các phụ kiện do STANLEY CUNG CẤP, chưa được kiểm tra với sản

phẩm này nên việc sử dụng chúng cùng với dụng cụ này có thể gây nguy hiểm. Để giảm nguy cơ chấn thương, chỉ được sử dụng các phụ kiện do STANLEY khuyến nghị cho sản phẩm này.

Hỏi ý kiến đại lý bạn để biết thêm thông tin về các phụ kiện phù hợp.

## Thông số kỹ thuật

<b>MÁY KHOAN BÚA DÙNG PIN LI-ION</b>		<b>SCH12</b>	
Điện áp	$V_{DC}$	12V Max	
Tốc độ không tải			
Số 1	phút <sup>1</sup>	0-400	
Số 2	phút <sup>1</sup>	0-1500	
Mô men tối đa	Nm	26	
Công suất đầu ra (MWO)	W	180	
Đầu kẹp tối đa	mm	10	
Độ sâu khoan tối đa			
Gỗ	mm	20	
Tường gạch	mm	8	
Kim loại	mm	10	
BỘ SẠC		SC121	SC122
Điện áp đầu vào	$V_{AC}$	220-240	220-240
Điện áp đầu ra	$V_{DC}$	22	12
Dòng đầu ra (DC)	A	1.25	1.25
Thời gian sạc xấp xỉ	phút	70(1.5Ah)	70(1.5Ah)
Pin		SCB12S	
Điện áp	$V_{DC}$	12V Max	
Dung lượng	Ah	1.5	
Loại		Li-Ion	





