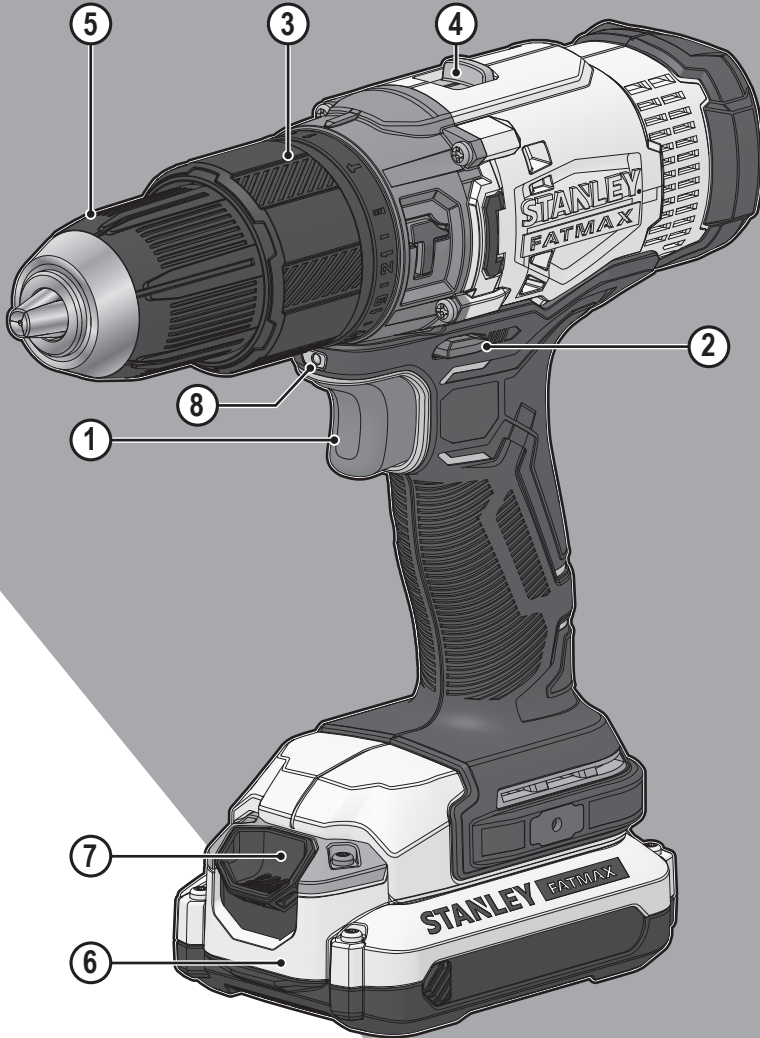


STANLEY[®]

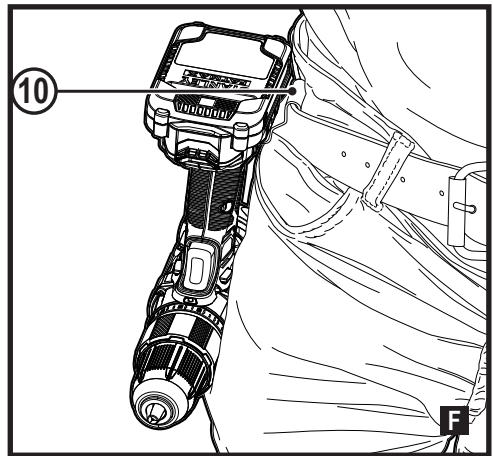
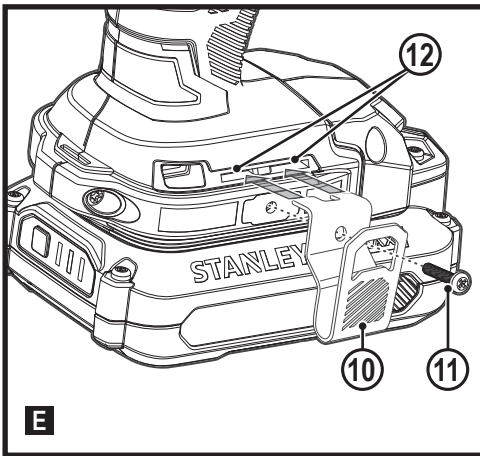
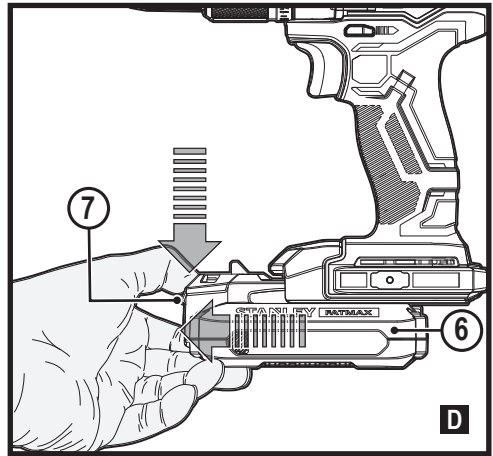
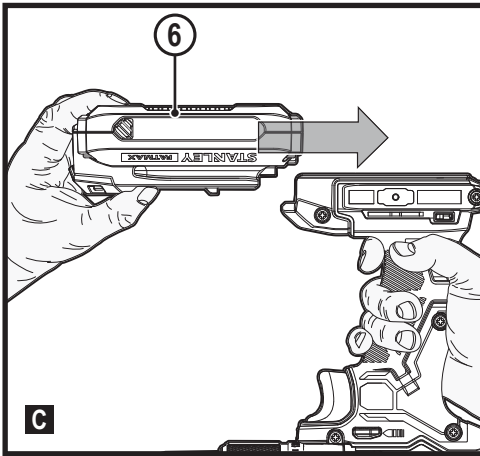
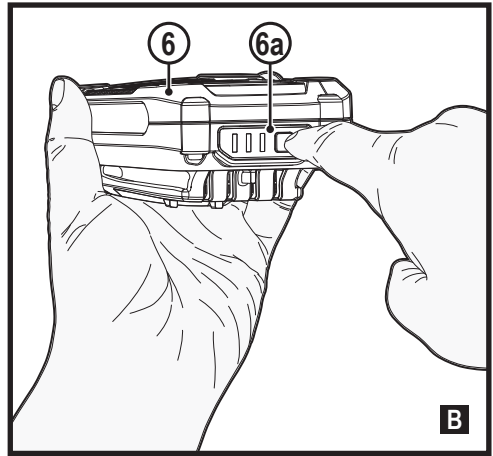
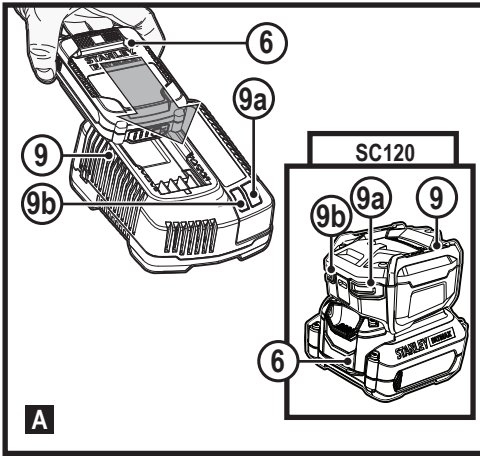
FATMAX[™]

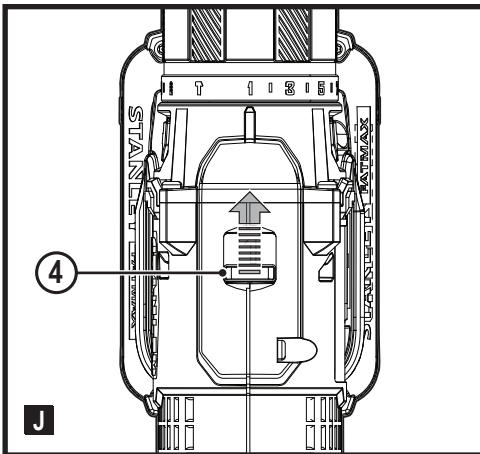
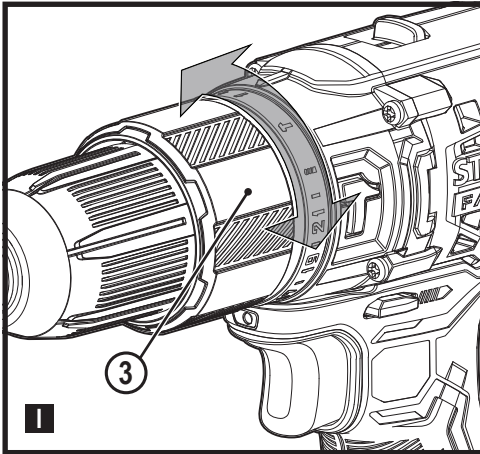
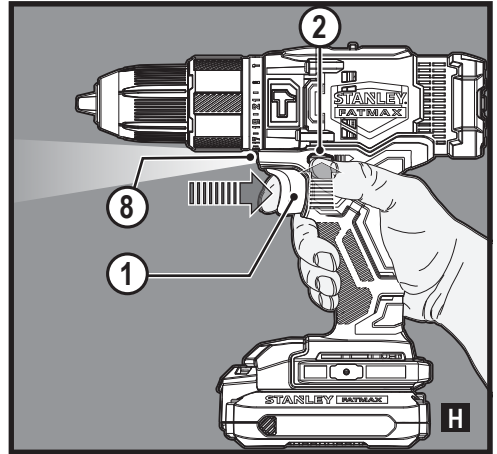
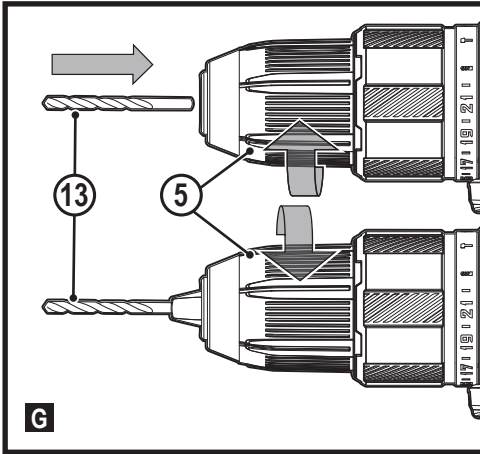
V20

LITHIUM ION



English (<i>original instructions</i>)	5
简体中文	12
한국어	19
Indonesia	25
ภาษาไทย	33
Tiếng Việt	41





Intended use

Your STANLEY FATMAX SCD711 hammer drill has been designed for screwdriving applications and for drilling in wood, metal, plastics and soft masonry. This appliance is intended for professional and private, non professional users..

Safety instructions

General power tool safety warnings



Warning! Read all safety warnings, instructions, illustrations and specifications provided with this power tool. Failure to follow all instructions listed below may result in electric shock, fire and/or serious injury.

Save all warnings and instructions for future reference.

The term "power tool" in all of the warnings listed below refers to your mains operated (corded) power tool or battery operated (cordless) power tool.

1. Work area safety

- a. **Keep work area clean and well lit.** Cluttered or dark areas invite accidents.
- b. **Do not operate power tools in explosive atmospheres, such as in the presence of flammable liquids, gases or dust.** Power tools create sparks which may ignite the dust or fumes.
- c. **Keep children and bystanders away while operating a power tool.** Distractions can cause you to lose control.

2. Electrical safety

- a. **Power tool plugs must match the outlet. Never modify the plug in any way.**
Do not use any adapter plugs with earthed (grounded) power tools. Unmodified plugs and matching outlets will reduce risk of electric shock.
- b. **Avoid body contact with earthed or grounded surfaces such as pipes, radiators, ranges and refrigerators.** There is an increased risk of electric shock if your body is earthed or grounded.
- c. **Do not expose power tools to rain or wet conditions.** Water entering a power tool will increase the risk of electric shock.
- d. **Do not abuse the cord. Never use the cord for carrying, pulling or unplugging the power tool. Keep cord away from heat, oil, sharp edges or moving parts.** Damaged or entangled cords increase the risk of electric shock.
- e. **When operating a power tool outdoors, use an extension cord suitable for outdoor use.** Use of a cord suitable for outdoor use reduces the risk of electric shock.

- f. **If operating a power tool in a damp location is unavoidable, use a residual current device (RCD) protected supply.** Use of an RCD reduces the risk of electric shock.
- #### 3. Personal safety
- a. **Stay alert, watch what you are doing and use common sense when operating a power tool.**
Do not use a power tool while you are tired or under the influence of drugs, alcohol or medication. A moment of inattention while operating power tools may result in serious personal injury.
 - b. **Use personal protective equipment. Always wear eye protection.** Protective equipment such as dust mask, non-skid safety shoes, hard hat, or hearing protection used for appropriate conditions will reduce personal injuries.
 - c. **Prevent unintentional starting. Ensure the switch is in the off-position before connecting to power source and/or battery pack, picking up or carrying the tool.** Carrying power tools with your finger on the switch or energising power tools that have the switch on invites accidents.
 - d. **Remove any adjusting key or wrench before turning the power tool on.** A wrench or a key left attached to a rotating part of the power tool may result in personal injury.
 - e. **Do not overreach. Keep proper footing and balance at all times.** This enables better control of the power tool in unexpected situations.
 - f. **Dress properly. Do not wear loose clothing or jewellery. Keep your hair, clothing and gloves away from moving parts.** Loose clothes, jewellery or long hair can be caught in moving parts.
 - g. **If devices are provided for the connection of dust extraction and collection facilities, ensure these are connected and properly used.** Use of dust collection can reduce dust-related hazards.
 - h. **Do not let familiarity gained from frequent use of tools allow you to become complacent and ignore tool safety principles.** A careless action can cause severe injury within a fraction of a second.
- #### 4. Power tool use and care
- a. **Do not force the power tool. Use the correct power tool for your application.**
The correct power tool will do the job better and safer at the rate for which it was designed.
 - b. **Do not use the power tool if the switch does not turn it on and off.** Any power tool that cannot be controlled with the switch is dangerous and must be repaired.

- c. **Disconnect the plug from the power source and/or remove the battery pack, if detachable, from the power tool before making any adjustments, changing accessories, or storing power tools.** Such preventive safety measures reduce the risk of starting the power tool accidentally.
- d. **Store idle power tools out of the reach of children and do not allow persons unfamiliar with the power tool or these instructions to operate the power tool.** Power tools are dangerous in the hands of untrained users.
- e. **Maintain power tools and accessories. Check for misalignment or binding of moving parts, breakage of parts and any other condition that may affect the power tools operation. If damaged, have the power tool repaired before use.** Many accidents are caused by poorly maintained power tools.
- f. **Keep cutting tools sharp and clean.** Properly maintained cutting tools with sharp cutting edges are less likely to bind and are easier to control.
- g. **Use the power tool, accessories and tool bits etc. in accordance with these instructions, taking into account the working conditions and the work to be performed.** Use of the power tool for operations different from those intended could result in a hazardous situation.
- h. **Keep handles and grasping surfaces dry, clean and free from oil and grease.** Slippery handles and grasping surfaces do not allow for safe handling and control of the tool in unexpected situations.
5. **Battery tool use and care**
- a. **Recharge only with the charger specified by the manufacturer.** A charger that is suitable for one type of battery pack may create a risk of fire when used with another battery pack.
- b. **Use power tools only with specifically designated battery packs.** Use of any other battery packs may create a risk of injury and fire.
- c. **When battery pack is not in use, keep it away from other metal objects, like paper clips, coins, keys, nails, screws, or other small metal objects, that can make a connection from one terminal to another.** Shorting the battery terminals together may cause burns or a fire.
- d. **Under abusive conditions, liquid may be ejected from the battery; avoid contact. If contact accidentally occurs, flush with water. If liquid contacts eyes, additionally seek medical help.** Liquid ejected from the battery may cause irritation or burns.
- e. **Do not use a battery pack or tool that is damaged or modified.** Damaged or modified batteries may exhibit unpredictable behaviour resulting in fire, explosion or risk of injury.
- f. **Do not expose a battery pack or tool to fire or excessive temperature.** Exposure to fire or temperature above 130 °C may cause explosion.
- g. **Follow all charging instructions and do not charge the battery pack or tool outside the temperature range specified in the instructions.** Charging improperly or at temperatures outside the specified range may damage the battery and increase the risk of fire.
6. **Service**
- a. **Have your power tool serviced by a qualified repair person using only identical replacement parts. This will ensure that the safety of the power tool is maintained.**
- b. **Never service damaged BATTERY packs.** Service of BATTERY packs should only be performed by the manufacturer or authorized service providers.
- Additional safety warnings for screwdrivers**
- **Hold power tool by insulated gripping surfaces, when performing an operation where the cutting accessory or fasteners may contact hidden wiring.** Fasteners contacting a "live" wire may make exposed metal parts of the power tool "live" and could give the operator an electric shock.
 - **Wear ear protectors with impact drilling. Exposure to noise can cause hearing loss.**
 - **Use auxiliary handle(s).** Loss of control can cause personal injury.
 - **Use clamps or another practical way to secure and support the work piece to a stable platform.** Holding the work by hand or against your body leaves it unstable and may lead to loss of control.
 - **Before driving fasteners into walls, floors or ceilings, check for the location of wiring and pipes.**
 - **The intended use is described in this instruction manual.**
 - **The use of any accessory or attachment or performance of any operation with this tool other than those recommended in this instruction manual may present a risk of personal injury and/or damage to property.**
- 1) **Safety instructions for all operations**
- a. **Wear ear protectors when impact drilling.** Exposure to noise can cause hearing loss.
- b. **Brace the tool properly before use.** This tool produces a high output torque and without properly bracing the tool during operation, loss of control may occur resulting in personal injury.

- c. Hold the power tool by insulated gripping surfaces, when performing an operation where the cutting accessory may contact hidden wiring. Cutting accessory contacting a "live" wire may make exposed metal parts of the power tool "live" and could give the operator an electric shock.

2) Safety instructions when using long drill bits

- a. Never operate at higher speed than the maximum speed rating of the drill bit. At higher speeds, the bit is likely to bend if allowed to rotate freely without contacting the workpiece, resulting in personal injury.
- b. Always start drilling at low speed and with the bit tip in contact with the workpiece. At higher speeds, the bit is likely to bend if allowed to rotate freely without contacting the workpiece, resulting in personal injury.
- c. Apply pressure only in direct line with the bit and do not apply excessive pressure. Bits can bend causing breakage or loss of control, resulting in personal injury.

Safety of others

- This tool is not intended for use by persons (including children) with reduced physical, sensory or mental capabilities, or lack of experience and knowledge, unless they have been given supervision or instruction concerning use of the appliance by a person responsible for their safety.
- Children should be supervised to ensure that they do not play with the appliance.

Residual risks


Additional residual risks may arise when using the tool which may not be included in the enclosed safety warnings. These risks can arise from misuse, prolonged use etc.









Even with the application of the relevant safety regulations and the implementation of safety devices, certain residual risks can not be avoided. These include:

- Injuries caused by touching any rotating/moving parts.
- Injuries caused when changing any parts, blades or accessories.
- Injuries caused by prolonged use of a tool. When using any tool for prolonged periods ensure you take regular breaks.
- Impairment of hearing.
- Health hazards caused by breathing dust developed when using your tool (example:- working with wood, especially oak, beech and MDF.)

Labels on tool

The label on your tool may include the following symbols:

	WARNING! To reduce the risk of injury, the user must read the instruction manual before use.
--	---

	Wear safety glasses or goggles.		
	Wear ear protection.		
	Wear a dust mask.		
V	Volts		Direct Current
A	Amperes	n_0	No-Load Speed
Hz	Hertz		Class II Construction
W	Watts		Earthing Terminal
min	minutes		Safety Alert Symbol
	Alternating Current	/min.	Revolutions or Reciprocation per minute

Position of date code

The Date Code, which also includes the year of manufacture, is printed into the housing.

Example:

2020 XX JN
Year of manufacturing

Additional safety instructions for batteries and chargers

Batteries

- Never attempt to open for any reason.
- Do not expose the battery to water.
- Do not store in locations where the temperature may exceed 40 °C.
- Charge only at ambient temperatures between 10 °C and 40 °C.
- Charge only using the charger provided with the tool.
- When disposing of batteries, follow the instructions given in the section "Protecting the environment".

Chargers

- Use your Stanley FatMax charger only to charge the battery in the tool with which it was supplied. Other batteries could burst, causing personal injury and damage.
- Never attempt to charge non-rechargeable batteries.
- Have defective cords replaced immediately.
- Do not expose the charger to water.
- Do not open the charger.
- Do not probe the charger.



The charger is intended for indoor use only.



Read the instruction manual before use.



Do not attempt to charge damaged batteries.

Electrical safety



Your charger is double insulated; therefore no earth wire is required. Always check that the mains voltage corresponds to the voltage on the rating plate. Never attempt to replace the charger unit with a regular mains plug.

- If the supply cord is damaged, it must be replaced by the manufacturer or an authorised Stanley FatMax Service Centre in order to avoid a hazard.



Warning! Never attempt to replace the charger unit with a regular mains plug.

Features

This appliance includes some or all of the following features.

1. Trigger Switch
2. Forward/Reverse Button
3. Torque Adjust Collar
4. Dual Range Gear Selector
5. Keyless Chuck
6. Battery
7. Battery Release Button
8. LED Work Light

Use



Warning! Let the tool work at its own pace. Do not overload.

Charging the battery (Fig. A)

The battery needs to be charged before first use and whenever it fails to produce sufficient power on jobs that were easily done before.

The battery may become warm while charging; this is normal and does not indicate a problem.



Warning! Do not charge the battery at ambient temperatures below 10 °C or above 40 °C. Recommended charging temperature: approx. 24 °C.

Note: The charger will not charge a battery if the cell temperature is below approximately 10 °C or above 40 °C. The battery should be left in the charger and the charger will begin to charge automatically when the cell temperature warms up or cools down.

Note: To ensure maximum performance and life of lithium-ion battery packs, charge the battery pack fully before first use.

- Plug the charger (9) into an appropriate outlet before inserting battery pack (6).
- The green charging light (9a) will blink continuously indicating that the charging process has started.
- The completion of charge will be indicated by the green charging light (9a) remaining ON continuously. The battery pack (6) is fully charged and may be removed and used at this time or left in the charger (9).
- Charge discharged batteries within 1 week. Battery life will be greatly diminished if stored in a discharged state.

Charger LED Modes

Indicators for all chargers except SC120		
	Charging	--- ---
	Fully Charged	—————
	Hot/Cold Pack Delay	--- ---
Only SC120 Charger Indicators		
	Charging	--- ---
	Fully Charged	—————
	Hot/Cold Pack Delay	--- ---

Note: The compatible charger(s) will not charge a faulty battery pack. The charger will indicate a faulty battery pack by refusing to light.

Note: This could also mean a problem with a charger. If the charger indicates a problem, take the charger and battery pack to be tested at an authorized service centre.

Leaving the battery in the charger

The charger and battery pack can be left connected with the LED glowing indefinitely. The charger will keep the battery pack fresh and fully charged.

Hot/Cold Pack Delay

When the charger detects a battery that is too hot or too cold, it automatically starts a Hot/Cold Pack Delay, the green LED (9a) will flash intermittently, while the red LED (9b) will remain on continuously, suspending charging until the battery has reached an appropriate temperature. The charger then automatically switches to the pack charging mode. This feature ensures maximum battery life.

Battery state of charge indicator (Fig. B)

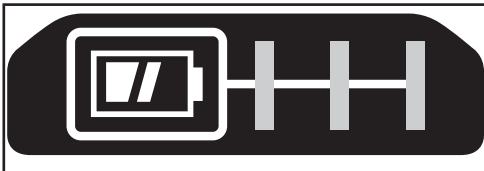
The battery includes a state of charge indicator to quickly determine the extent of battery life as shown in figure B. By pressing the state of charge button (6a) you can easily view the charge remaining in the battery as illustrated in figure B.

Wall Mounting

Some STANLEY FATMAX chargers are designed to be wall mountable or to sit upright on a table or work surface. If wall mounting, locate the charger within reach of an electrical outlet, and away from a corner or other obstructions which may impede air flow. Use the back of the charger as a template for the location of the mounting screws on the wall. Mount the charger securely using drywall screws (purchased separately) at least 1" (25.4 mm) long, with a screw head diameter of 0.28–0.35" (7–9 mm), screwed into wood to an optimal depth leaving approximately 7/32" (5.5 mm) of the screw exposed. Align the slots on the back of the charger with the exposed screws and fully engage them in the slots.

NOTE: Do not attempt to mount SC120 charger under a bench or table.

NOTE: Only mount SC120 charger with the charging lights pointed upward toward the ceiling.



Installing and Removing the Battery Pack from the tool



Warning! Make certain the lock-off button is engaged to prevent switch actuation before removing or installing battery.

To install battery pack (Fig. C)

- Insert battery pack firmly into tool until an audible click is heard as shown in figure C. Ensure battery pack is fully seated and fully latched into position.

To remove battery pack (Fig. D)

- Depress the battery release button (7) as shown in figure D and pull battery pack out of tool.

Belt hook (Optional extra) (Fig. E, F)



Warning! To reduce the risk of serious personal injury, place the forward/reverse button in the lock-off position or turn tool off and disconnect battery pack before making any adjustments or removing/installing attachments or accessories. An accidental start-up can cause injury.



Warning! To reduce the risk of serious personal injury, **ONLY** use the tool's belt hook (10) to hang the tool from a work belt. **DO NOT** use the belt hook (10) for tethering or securing the tool to a person or object during use. **DO NOT** suspend tool overhead or suspend objects from the belt hook.



Warning! To reduce the risk of serious personal injury, ensure the screw (11) holding the belt hook is secure.

Note: When attaching or replacing the belt hook (10), use only the screw (11) that is provided. Be sure to securely tighten the screw.

The belt hook (10) can be attached to either side of the tool using only the screw (11) provided, to accommodate left- or right-handed users. If the hook is not desired at all, it can be removed from the tool.

To move the belt hook, remove the screw (11) that holds the belt hook (10) in place then reassemble on the opposite side. Be sure to securely tighten the screw (11).

Note: Various trackwall hooks and storage configurations are available.

Please visit our website www.stanleytools.eu/3 for further information.

Keyless chuck (Fig. G)



Warning! Make certain the battery pack is removed to prevent tool actuation before installing or removing accessories.

To insert a drill bit or other accessory:

- Grasp the chuck (5) and rotate it in the counterclockwise direction, as viewed from the chuck end.
- Insert the bit or other accessory (13) fully into the chuck, and tighten securely by rotating the chuck in the clockwise direction as viewed from the chuck end.



Warning! Do not attempt to tighten or loosen drill bits (or any other accessory) by gripping the front part of the chuck and turning the tool on.

Damage to the chuck and personal injury may occur when changing accessories.

Trigger switch & forward/reverse button (Fig. H)

- The drill is turned ON and OFF by pulling and releasing the trigger switch (1) shown in figure H. The farther the trigger is depressed, the higher the speed of the drill.
- A forward/reverse control button (2) determines the rotational direction of the tool and also serves as a lock off button.
- To select forward rotation, release the trigger switch and depress the forward/reverse control button on the right side of the tool.
- To select reverse, depress the forward/reverse control button on the left side of the tool.

- The center position of the control button locks the tool in the off position. When changing the position of the control button, be sure the trigger is released.

Adjusting torque control (Fig. I)

This tool is fitted with a torque adjustment collar (3) to select the operating mode and to set the torque for tightening screws. Large screws and hard workpiece materials require a higher torque setting than small screws and soft workpiece materials.

- For drilling in wood, metal and plastics, set the collar (3) to the drilling position symbol.
- For drilling in light masonry, set the collar (3) to the hammer drilling position.
- For screwdriving, set the collar to the desired setting. If you do not yet know the appropriate setting, proceed as follows:
 - ◆ Set the collar to the lowest torque setting.
 - ◆ Tighten the first screw.
 - ◆ If the clutch ratchets before the desired result is achieved, increase the collar setting and continue tightening the screw.
 - ◆ Repeat until you reach the correct setting.
 - ◆ Use this setting for the remaining screws.

Dual range switch (Fig. J)

The dual range feature of your drill allows you to shift gears for greater versatility.

- To select low speed, high torque setting (position 1), turn tool off and permit to stop. Slide gear shifter button (4) away from the chuck.
- To select the high speed, low torque setting (position 2), turn tool off and permit to stop. Slide gear shifter button back toward the chuck.

Note: Do not change gears when tool is running. If you are having trouble changing gears, make sure that the dual range gear button is either completely pushed forward or completely pushed back.

Screw driving

- For driving fasteners, the forward/reverse button should be pushed to the left.
- Use reverse (button pushed to the right) for removing fasteners.

Note: When moving from forward to reverse, or vice versa, always release the trigger switch first.

Drilling

- Use sharp drill bits only.
- Support and secure work properly, as instructed in the Safety Instructions.
- Use appropriate and required safety equipment, as instructed in the Safety Instructions.
- Secure and maintain work area, as instructed in the Safety Instructions.

- Run the drill very slowly, using light pressure, until the hole is started enough to keep the drill bit from slipping out of it.
- Apply pressure in a straight line with the bit. Use enough pressure to keep the bit biting but not so much as to stall the motor or deflect the bit.
- Hold the drill firmly with two hands, one hand on the handle, and the other gripping the bottom around the battery area or the auxiliary handle if provided.
- **DO NOT CLICK THE TRIGGER OF A STALLED DRILL OFF AND ON IN AN ATTEMPT TO START IT. DAMAGE TO THE DRILL CAN RESULT.**
- Minimize stalling on breakthrough by reducing pressure and slowly drilling through the last part of the hole.
- Keep the motor running while pulling the bit out of a drilled hole. This will help reduce jamming.
- Make sure switch turns drill on and off.

Drilling in wood

Holes in wood can be made with the same twist drill bits used for metal or with spade bits. These bits should be sharp and should be pulled out frequently when drilling to clear chips from the flutes.

Drilling in metal

Use a cutting lubricant when drilling metals. The exceptions are cast iron and brass which should be drilled dry. The cutting lubricants that work best are sulphurized cutting oil.

Drilling in masonry

For drilling in masonry, set the collar (3) to the hammer drilling position by aligning the symbol with the marking. Use carbide tipped masonry bits. Keep even force on the drill. A smooth, even flow of dust indicates the proper drilling rate.

LED work light (Fig. H)

When drill is activated by pulling the trigger switch (1), the integrated LED work light (8) will automatically illuminate the work area.

Note: The work light is for lighting the immediate work surface and is not intended to be used as a flashlight.

Troubleshooting

Problem	Possible cause	Possible solution
Unit will not start.	Battery pack not installed properly.	Check battery pack installation.
	Battery pack not charged.	Check battery pack charging requirements
Unit starts immediately upon inserting battery	The switch has been left in the "on" position.	The switch must be moved to "off" to prevent the tool from immediately starting when battery is inserted.

Problem	Possible cause	Possible solution
Battery pack will not charge.	Battery pack not inserted into charger. Charger not plugged in. Surrounding air temperature too hot or too cold.	Insert battery pack into charger until LED lights. Plug charger into a working outlet. Move charger and battery pack to a surrounding air temperature of above 40 degrees F (45°C) or below 105 degrees F (+40.5°C)
Unit shuts off abruptly.	Battery pack has reached its maximum thermal limit. Out of charge. (To maximize the life of the battery pack it is designed to shutoff abruptly when the charge is depleted)	Allow battery pack to cool down. Place on charger and allow to charge.

Maintenance

Your STANLEY FATMAX tool has been designed to operate over a long period of time with a minimum of maintenance. Continuous satisfactory operation depends upon proper tool care and regular cleaning.

Your charger does not require any maintenance apart from regular cleaning.



Warning! Before performing any maintenance on the tool, remove the battery from the tool. Unplug the charger before cleaning it.

- Regularly clean the ventilation slots in your tool and charger using a soft brush or dry cloth.
- Regularly clean the motor housing using a damp cloth.
- Do not use any abrasive or solvent-based cleaner.

Protecting the environment



Separate collection. Products and batteries marked with this symbol must not be disposed of with normal household waste.

Products and batteries contain materials that can be recovered or recycled reducing the demand for raw materials. Please recycle electrical products and batteries according to local provisions. Further information is available at www.2helpU.com

Technical data

		SCD711
Voltage	V _{DC}	18V (20V MAX)
No-load speed	Min ⁻¹	0-400/0-1500
Max. torque	Nm	50
Chuck capacity	mm	13
Max Drilling capacity		
Steel/wood/masonry	mm	13/35/13
Weight	kg	1.2

Charger		SC125	SC200	SC400 SC401	SC120
Input Voltage	V _{AC}	220-240	220-240	220-240	220-240
Output Voltage	V _{DC}	18V (20V MAX)	18V (20V MAX)	18V (20V MAX)	18V (20V MAX)
Current	A	1.25	2	4	1.25

Battery		SB201	SB202	SB204	SB206
Voltage	V _{DC}	18V (20V MAX)	18V (20V MAX)	18V (20V MAX)	18V (20V MAX)
Capacity	Ah	1.5	2.0	4.0	6.0
Type		Li-Ion	Li-Ion	Li-Ion	Li-Ion

SERVICE INFORMATION

STANLEY FATMAX offers a full network of company-owned and authorized service locations. All STANLEY FATMAX Service Centers are staffed with trained personnel to provide customers with efficient and reliable power tool service.

For more information about our authorized service centers and if you need technical advice, repair, or genuine factory replacement parts, contact the STANLEY FATMAX location nearest you or visit us at www.stanleytools.com.

设计用途

您的STANLEY FATMAX SCD711冲击钻被设计用于拧紧螺丝，在木材、金属、塑料和软质砖石结构上钻孔。该工具适用于专业用户，同时也适合私人、非专业用户使用。

安全说明

电动工具通用安全警告



警告! 阅读随电动工具提供的所有安全警告、说明、图示和规定。不遵照以下所列说明会导致电击、着火和/或严重伤害。

保存所有警告和说明书以备查阅。

警告中的术语“电动工具”指市电驱动(有线)电动工具或电池驱动(无线)电动工具。

1. 工作场地的安全

- 保持工作场地清洁和明亮。杂乱和黑暗的场地会引发事故。
- 不要在易爆环境，如有易燃液体、气体或粉尘的环境下操作电动工具。电动工具产生的火花会点燃粉尘或气体。
- 操作电动工具时，远离儿童和旁观者。注意力不集中会使你失去对工具的控制。

2. 电气安全

- 电动工具插头必须与插座相配。绝不能以任何方式改装插头。需接地的电动工具不能使用任何转换插头。未经改装的插头和相配的插座将降低电击风险。
- 避免人体接触接地表面，如管道、散热片和冰箱。如果你身体接触接地表面会增加电击风险。
- 不得将电动工具暴露在雨中或潮湿环境中。水进入电动工具将增加电击风险。
- 不得滥用软线。绝不能用软线搬运、拉动电动工具或拔出其插头。使软线远离热源、油、锐边或运动部件。受损或缠绕的软线会增加电击风险。
- 当在户外使用电动工具时，使用适合户外使用的延长线。适合户外使用的电线将降低电击风险。
- 如果无法避免在潮湿环境下操作电动工具，应使用带有剩余电流装置(RCD)保护的电源。RCD的使用可降低电击风险。

3. 人身安全

- 保持警觉。当操作电动工具时关注所从事的操作并保持清醒。当你感到疲倦，或在有药物、酒精或治疗反应时，不要操作电动工具。在操作电动工具时瞬间的疏忽会导致严重人身伤害。
- 使用个人防护装置。始终佩戴护目镜。防护装置，诸如适当条件下使用防尘面具、防滑安全鞋、安全帽、听力防护等装置能减少人身伤害。
- 防止意外启动。在连接电源和/或电池盒、拿起或搬运工具前确保开关处于关断位置。手指放在开关上搬运工具或开关处于接通时通电会导致危险。
- 在电动工具接通之前，拿掉所有调节钥匙或扳手。遗留在电动工具旋转零件上的扳手或钥匙会导致人身伤害。

- 手不要过分伸展。时刻注意立足点和身体平衡。这样能在意外情况下能更好地控制住电动工具。
- 着装适当。不要穿宽松衣服或佩戴饰品。让你的头发和衣服远离运动部件。宽松衣服、配饰或长发可能会卷入运动部件。
- 如果提供了与排屑、集尘设备连接用的装置，要确保其连接完好且使用得当。使用集尘装置可降低尘屑引起的危险。
- 不要因为频繁使用工具而产生的熟悉感而掉以轻心，忽视工具的安全准则。某个粗心的动作可能在瞬间导致严重的伤害。

4. 电动工具使用和注意事项

- 不要勉强使用电动工具，根据用途使用合适的电动工具。选用合适的按照额定值设计的电动工具会使你工作更有效、更安全。
- 如果开关不能接通或关断电源，则不能使用该电动工具。不能通过开关来控制的电动工具是危险的且必须进行修理。
- 在进行任何调节、更换附件或贮存电动工具之前，必须从电源上拔掉插头和/或卸下电池包(如可拆卸)。这种防护性的安全措施降低了电动工具意外启动的风险。
- 将闲置不用的电动工具贮存在儿童所及范围之外，并且不允许不熟悉电动工具和不了解这些说明的人操作电动工具。电动工具在未经培训的使用者手中是危险的。
- 维护电动工具及其附件。检查运动部件是否调整到位或卡住，检查零件破损情况和影响电动工具运行的其他状况。如有损坏，应在使用前修理好电动工具。许多事故是由维护不良的电动工具引发的。
- 保持切削刀具锋利和清洁。维护良好地有锋利切削刃的刀具不易卡住而且容易控制。
- 按照使用说明书，并考虑作业条件和要进行的作业来选择电动工具、附件和工具的刀头等。将电动工具用于那些与其用途不符的操作可能会导致危险情况。
- 保持手柄和握持表面干燥、清洁，不得沾有油脂。在意外的情况下，湿滑的手柄不能保证握持的安全和对工具的控制。

5. 电池式工具使用和注意事项

- 仅使用生产者规定的充电器充电。将适用于某种电池包的充电器用到其他电池包时可能会发生着火危险。
- 仅使用配有专用电池包的电动工具。使用其他电池包可能会产生伤害和着火危险。
- 当电池包不用时，将它远离其他金属物体，例如回形针、硬币、钥匙、钉子、螺钉或其他小金属物体，以防电池包一端与另一端连接。电池包端部短路会引起燃烧或着火。
- 在滥用条件下，液体可能会从电池包中溅出，应避免接触。如果意外碰到液体，用水冲洗。如果液体碰到了眼睛，还要寻求医疗帮助。从电池中溅出的液体可能会发生腐蚀或燃烧。
- 不要使用损坏或改装过的电池包或工具。损坏或改装过的电池包可能呈现无法预测的结果，导致着火、爆炸或伤害。
- 不要将电池包暴露于火或高温中。电池包暴露于火或高于130°C的高温中可能导致爆炸。
- 请遵循所有充电说明，请勿在说明书中规定的温度范围以外的环境对电池包或工具充电。不当或在指定范围以外的温度下充电，可能导致电池损坏并增加火灾风险。

6. 维修

- 让专业维修人员使用相同的备件维修电动工具。这将保证所维修的电动工具的安全。
- 决不能维修损坏的电池包。电池包仅能由生产者或其授权的维修服务商进行维修。

面向电钻的额外安全警告

- 当在钻削附件有可能切割到暗线的场所进行操作时, 只能通过绝缘握持面来握住电动工具。紧固件碰到带电导线会使工具外露的金属零件带电而使操作者受到电击。
- 在使用冲击钻时, 请佩戴听力保护器。暴露在噪声环境中可能会导致听力丧失。
- 请使用工具随附的辅助手柄。工具失控可能会导致人员受伤。
- 使用夹具或其他实用的方法, 将工件固定、支撑到稳定的平台上。手持或用身体顶住工件都是不稳定的, 会导致操作失控。
- 先检查布线和管道的位置, 然后再将紧固件打入墙面、地板或天花板中。
- 该说明手册介绍了该工具的目的用途。
- 在本说明书推荐的范围以外, 使用其他附件或配件或用该工具进行任何其他操作, 均可能会造成人员受伤和/或财产损失的风险。

1) 所有操作的使用说明

- 在进行冲击钻时, 请佩戴听力保护器。暴露在噪声环境中可能会导致听力丧失。
- 使用工具前请为其提供适当的支撑。该工具能产生高输出扭矩。如果在操作中没有为工具提供适当支撑, 就会导致失控, 造成人员受伤。
- 当在紧固件可能触碰到暗线的场所进行操作时, 应通过绝缘握持面来握住电动工具。紧固件碰到带电导线会使工具外露的金属零件带电, 导致操作者触电。

2) 使用长钻头时的安全说明

- 操作时, 请勿让运行速度超过钻头最大的额定速度。在超速的情况下, 如果钻头自由转动而不接触工件, 那么钻头可能会弯折, 从而导致人员受伤。
- 钻孔时, 务必先从低速开始, 让钻头先接触工件。在超速的情况下, 如果钻头自由转动而不接触工件, 那么钻头可能会弯折, 从而导致人员受伤。
- 仅沿着与钻头成直线的方向施加压力, 而且压力不能过大。钻头可能会弯折, 造成损坏或失控, 导致人员受伤。

他人安全

- 生理、感官或心理机能较差的人员(包括儿童), 或者对该类产品缺少使用经验和知识的人员, 除非由负责其安全的人员提供使用工具的监督或指示, 否则不得使用此工具。
- 应看管好儿童, 以确保他们不将此设备当做玩具来玩。

剩余风险

使用工具时, 可能出现本安全警示之外的其他剩余风险。这些风险可能来自使用不当、使用时间过长等。

尽管遵守了相关的安全法规并采用了安全装备, 某些剩余风险仍

然是无法避免的。这些风险包括:

- 接触旋转/运动部件时所导致的伤害风险。
- 更换零件、锯片或配件时所导致的伤害风险。
- 长期使用工具所导致的伤害风险。长期使用任何工具时, 均应定期休息。
- 听力损伤风险。
- 吸入工具使用过程中产生的粉尘导致的健康危害(例如, 锯切木材, 特别是橡木、山毛榉和中密度纤维板时)。

工具上的标记

您工具上的标签可能包含以下符号:

	警告! 为降低伤害风险, 用户在使用前, 必须认真阅读手册。		
	佩戴安全眼镜或护目镜。		
	佩戴听力保护器。		
	佩戴防尘口罩。		
V	伏特		直流电
A	安培	n_0	额定转速
Hz	赫兹		II级构造
W	瓦特		接地端子
min	分钟		安全警示符号
	交流电	/min.	每分钟转速

日期码的位置

包含制造年份的日期, 打印在工具外壳上。

示例:

2023 XX JN

制造年份

电池和充电器 电池

- 不论基于任何理由, 都不要尝试打开电池。
- 请勿将电池暴露在水中。
- 请勿将电池存放在温度可能超过40°C的地方。
- 只在环境温度介于10°C和40°C之间的情况下充电。
- 仅用工具随附的充电器进行充电。
- 处置电池时, 请遵循“保护环境”部分所提供的说明进行。

充电器

- 只能使用STANLEY FATMAX专属电池充电器为电池充电。其他电池可能会爆裂、导致人身伤害和损害。
- 切勿尝试为不可再充电的电池充电。
- 应立即更换有缺陷的电线。
- 请勿将充电器暴露在水中。
- 请勿打开充电器。
- 请勿刺破充电器。



充电器仅供室内使用。



使用前请阅读使用手册。



不要尝试对损坏的电池充电。

电气安全



本工具随附充电器(如有)为双重绝缘,因此无需接地线。请务必检查电源电压是否与铭牌上的电压一致。切勿尝试使用一般的电源插头替换充电器。是否与铭牌上的电压一致。

- 如果电源线损坏,必须让制造商或授权的STANLEY FATMAX服务中心更换以避免发生危险。



警告!不得试图用普通电源插头来替代充电器单元。

功能部件

本设备包含如下部分或全部部件。

- 扳机开关
- 前进/后退按钮
- 扭矩调节套圈
- 双档换挡杆
- 自锁夹头
- 电池
- 电池释放按钮
- LED作业灯

使用



警告!请让工具按照自有节奏工作。请勿超负荷。

为电池充电(图A)

电池在首次使用之前,以及无法像从前一样为轻松作业提供足够的电量时,都需要充电。电池在充电时可能会变热;这是正常现象,而且并不表示出现问题。



警告!请勿在环境温度低于10°C或高于40°C的状况下为电池充电。建议的充电温度为大约24°C。

注:若电池温度低于约10°C或高于40°C,充电器将不会为电池充电。

电池应留在充电器内,充电器会在电池温度升高或降低到合适温度时自动开始充电。

注意:为确保锂离子电池包能实现最高性能,延长使用寿命,请在首次使用前为电池包充满电。

- 先将充电器(9)插入适合的插座,然后再插入电池包(6)。
- 绿色充电指示灯(9a)持续闪烁,表示开始充电。
- 绿色充电指示灯(9a)常亮,表示充电完成。电池包(6)已充满电,可以取下使用,也可以留在充电器上(9)。
- 请在一周内对已放电的电池充电。如果电池长期处于放电状态,那么电池寿命将大大缩短。

充电器的LED灯模式

充电器的LED模式(除SC120外)

	充电中	
	充电完成	
	高温/低温电池包延迟	

充电器的LED模式(仅限SC120)

	充电中	
	充电完成	
	高温/低温电池包延迟	

注意:兼容充电器不会对故障电池包充电。如果充电器的指示灯不会亮起,表示电池包存在故障。

注意:这可能也表示充电器有问题。如果充电器显示有问题,请将充电器和电池包送到授权服务中心接受检测。

将电池留在充电器内

可以让充电器和电池包保持连通状态,LED持续闪烁。充电器将保持其中的电池包始终处于充满电量的状态。

高温/低温电池包延迟:

如果充电器检测到电池的温度过高或过低,充电器就会自动启动高温/低温电池包延迟,绿色LED(9a)将闪烁,同时红色LED(9b)将常亮,充电暂停,等待电池恢复到适当温度。之后,充电器会自动切换到电池包充电模式。这个特色功能可以最大限度地延长电池寿命。

电池充电状态指示灯(图B)

如图B所示,电池上有一个电量状态指示灯,能够快速确定电池寿命。按下电量状态按钮(6a),您就能查看电池中的剩余电量,如图B所示。

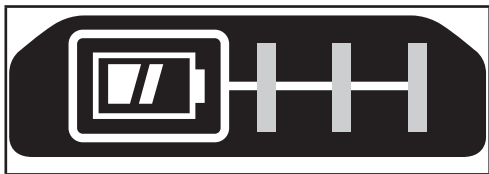
壁挂式安装

有一些STANLEY FATMAX充电器被设计为可以安装在墙上，也可以直立在桌面或工作台上。

如果安装在墙上，请确保充电器的位置可以连接到电源插座，并且远离墙角或其他可能妨碍空气流通的障碍物。将充电器背面作为在墙上安装螺丝的位置模板。使用至少25.4毫米长、螺丝帽直径至少7.9毫米的石膏板螺丝（单独购买）牢牢固定充电器，将螺丝最大限度钉入木材，预留约5.5毫米露在墙外。将充电器背面的安装槽对准露出的螺丝，完全放置到位。

注意：请不要将SC120充电器安装在桌子或工作台下。

注意：安装SC120充电器时，请确保充电灯朝上指向天花板。



在工具上安装和拆除电池包



警告！先按下锁定按钮，防止触发开关，然后再拆除或安装电池。

安装电池包 (图C)

- 如图C所示，将电池包插入工具，直至听见“咔哒”一声。确保电池包安装并锁定到位。

拆除电池包 (图D)

- 如图D所示，按下电池释放按钮 (5b) 并将电池包从工具中取出。

安全带挂钩 (可选附件) (图E, F)



警告！为降低严重人员受伤的风险，请让前进/后退按钮置于锁定位置，或关闭工具并取下电池包，然后再进行任何调整或拆除/安装附件或配件。意外启动可能会造成伤害。



警告！为降低严重人员受伤的风险，只可使用这款工具的安全带挂钩 (10) 将工具悬挂在作业安全带上。在使用过程中，请勿用安全带挂钩 (10) 将工具栓系或固定到人或物体上。请勿将工具悬挂于头顶上方或将物体悬挂在安全带挂钩上。



警告！为降低严重人员受伤的风险，请确保固定安全带挂钩的螺栓 (11) 足够紧固。

注意：如需安装或更换安全带挂钩 (10)，只可使用工具提供的螺栓 (11)。确保牢牢紧固螺栓。

仅用随附螺丝 (11) 将皮带钩 (10) 安装在工具的任何一侧，便于惯用左手或右手的用户使用。如果无需皮带钩，可将其从工具上拆除。

如需拆除皮带挂钩 (10)，请拆除固定皮带挂钩 (10) 的螺丝 (11)，然后在对面重新安装。确保拧紧螺丝 (11)。

注意：有多种墙壁导轨挂钩和存放配置。

请访问网站 www.stanley.eu/3，了解更多信息。

自锁夹头 (图G)



警告！确保已将电池包拆除，防止在安装或拆除附件前启动工具。

如需插入钻头或其他附件：

- 抓住夹头 (5) 并逆时针转动 (从夹头端看)。
- 将钻头或其他附件 (13) 完全插入夹头中，并顺时针拧紧 (从夹头端看)。



警告！不得试图握住夹头前部来拧紧或松开钻头 (或任何其他附件) 并启动工具。

在更换附件时，可能会损坏夹头，造成人员受伤。

扳机开关和前进/后退按钮 (图H)

- 如图H所示，通过扣下和松开扳机开关 (1) 来打开和关闭电钻。越是用力扣动扳机，电钻转动的速度就越快。
- 前进/后退按钮 (2) 决定了工具的转动方向，同时也具有锁定按钮的作用。
- 如需选择向前转动，松开扳机开关并按下位于工具右侧的向前/向后控制按钮。
- 如需选择向后转动，按下位于工具左侧的向前/向后控制按钮。
- 控制按钮的中心位置会将工具锁定在关闭位置。在改变控制按钮的位置时，要确保松开扳机。

调整扭矩控制 (图I)

该工具装有扭矩调整套圈 (3)，能选择操作模式，为拧紧螺丝设定扭矩。体积较大的螺丝和硬质工件材料所需的扭矩要大于小螺丝和软质工件材料所需的扭矩。

- 如需在木材、金属和塑料上钻孔，请将套圈 (3) 设定到钻孔位置。
- 如需在轻质砖石结构上钻孔，请将套圈 (3) 设定到冲击钻位置。
- 如需拧螺丝，请将套圈设定到理想的位置。如果您不清楚如何设定才算恰当，请按以下操作：
 - 将套圈设定到最低扭矩。
 - 拧紧第一个螺丝。
 - 如果离合器在达到预期效果之前就松脱，就提高套圈设定并继续拧紧螺丝。
 - 不断重复这一操作，直到您达到正确设定位置。
 - 将该设定用在剩余螺丝上。

双档开关 (图J)

您电钻所具有的双档特色功能让您能够切换齿轮，实现更多用途。

- 如需选择低速高扭矩的设定 (位置1), 请关闭工具并使其停止运行。将齿轮切换按钮 (4) 朝离开夹头的方向推出。
- 如需选择高速低扭矩的设定 (位置2), 请关闭工具并使其停止运行。将齿轮切换按钮 (4) 朝返回夹头的方向推出。

注意: 请勿在工具运转时更换齿轮。如果您更换齿轮遇到困难, 请确保双档齿轮按钮或是被完全向前推出, 或是被完全向后推回。

拧紧螺丝

- 如需拧紧紧固件, 应向左推动向前/后按钮。
- 如需松开紧固件, 请进行逆向操作 (向右推动按钮)。

注意: 如需从向前转动切换到向后转动, 或反向操作, 请务必先松开扳机开关。

钻孔

- 仅使用锋利的钻头。
- 请根据“安全说明”中的指示, 对工件进行适当的支持和固定。
- 请根据“安全说明”中的指示, 使用适当和要求的的安全设备。
- 请根据“安全说明”中的指示, 请固定并维持作业区域。
- 低速转动电钻, 使用较小的压力, 直到孔洞能够足以容纳钻头, 不会让钻头滑出为止。
- 沿着与钻头成直线的方向施加压力。施加足够的压力, 保持钻头向内钻孔, 同时也不能让电机失速或钻头偏转。
- 双手牢牢握住电钻, 一手握住手柄, 另一只手握住电池周围的底部, 或辅助手柄 (如提供)。
- **如果电钻失速, 请勿反复扣动扳机开关, 试图启动工具。这样可能会导致电钻损坏。**
- 减轻压力并缓慢钻穿孔的最后一部分, 尽量减少钻孔突破时的停滞。
- 在将钻头拔出钻孔的过程中, 请保持电机处于运转状态。这有助于减少阻塞。
- 确保开关能够开启和关闭电钻。

在木材中钻孔

可以通过用于金属的螺旋钻头钻或扁钻在木材上钻孔。这些钻头应足够锋利, 而且应在钻孔过程中不断拔出钻头, 以清除通道中的碎屑。

在金属上钻孔

在金属上钻孔时, 请使用切割润滑油。铸铁和黄铜例外, 应在干燥情况下钻孔。效果最好的切割润滑油是硫化切割润滑油。

在砖石结构中钻孔

如需在砖石结构中钻孔, 请将套圈 (3) 设定到冲击钻位置, 将符号与标记对齐。使用硬质合金砖石钻头。在钻孔中保持均匀用力。如果能够顺滑、均匀地产生灰尘, 就表示钻孔速度恰到好处。

LED 作业灯 (图H)

当扣动扳机开关 (1), 开启电钻时, 整合在工具上的LED作业灯 (8) 将自动亮起, 为作业区域照明。

注意: 作业灯是用于照亮眼前的作业表面, 不可将其用作手电筒。

解决故障

问题	可能的原因	可能的解决方案
工件无法启动。	电池包未安装妥当。 电池包未充电。	检查电池包的安装情况。 检查电池包的充电要求。
在插入电池后, 工具立即启动。	开关被留在“开启”位置。	必须将开关移到“关闭”位置, 以防在安装电池包后, 工具立即启动。
电池包无法充电。	电池包未被插入充电器。 充电器未接通电源。 周围室温过高或过低。	将电池包插入充电器, 直到LED灯亮起。 将充电器插入能正常工作的插座。 将充电器和电池包移动到周围室温高于45 °C或低于+40.5 °C的环境中。
工具突然关闭。	电池包达到其最大热极限。 电量耗尽。(为最大限度地延长电池包的寿命, 它被设计会在电量耗尽时自动关闭)。	让电池包冷却。 放入充电器并进行充电。

维护

您的STANLEY FATMAX 工具设计精良, 可以长期使用, 仅需极少维护。若要持续令人满意的工作效果, 则需对工具进行适当的保养和定期清洁。

除定期清洁外, 您的充电器无需任何维护。



警告! 在对工具进行任何维护前, 请先拆卸其中的电池。先拔下充电器, 然后再进行清洁。

- 使用软刷或干布定期清洁工具和充电器内的通风槽。
- 定期使用湿布清洁电机外壳。请勿使用任何研磨性或溶剂型清洁剂。
- 定期打开卡盘并轻拍, 清除内部灰尘。

保护环境



分类回收。带有此符号标记的产品与电池不得与普通家庭垃圾一起处理。

产品和电池包含可恢复或回收的材料, 从而降低对原材料的需求。请根据当地规定回收电气产品和电池。更多信息, 请访问www.2helpU.com。

技术参数

SCD711		
电压	V_{DC}	18V (20V MAX)
空载转速	Min^{-1}	0-400/0-1500
最大扭矩	Nm	50
夹头容量	mm	13
最大钻孔容量		
钢材/木材/砖石结构	mm	13/35/13
重量	kg	1.2

充电器		SC125	SC200	SC400 SC401	SC120
输入电压	V_{AC}	220-240	220-240	220-240	220-240
输出电压	V_{DC}	18V (20V MAX)	18V (20V MAX)	18V (20V MAX)	18V (20V MAX)
电流	A	1.25	2	4	1.25

电池		SB201	SB202	SB204	SB206
电压	V_{DC}	18V (20V MAX)	18V (20V MAX)	18V (20V MAX)	18V (20V MAX)
容量	Ah	1.5	2.0	4.0	6.0
类型		Li-Ion	Li-Ion	Li-Ion	Li-Ion

服务信息

STANLEY FATMAX提供覆盖范围广泛的公司隶属和授权服务地点。所有STANLEY FATMAX 服务中心都具有训练有素的人员,为客户提供高效和可靠的电动工具服务。有关授权服务中心的详情,或若您需要技术建议、维修或原厂替换部件,请联系最靠近您的STANLEY FATMAX 地点或访问www.stanleytools.com。

制造商: 史丹利五金工具(上海)有限公司

制造商地址: 中国(上海)自由贸易试验区美盛路263号

产地: 江苏苏州



产品中有害物质的名称及含量

部件名称	有害物质					
	铅 (Pb)	汞 (Hg)	镉 (Cd)	六价铬 (Cr(VI))	多溴联苯 (PBB)	多溴二苯 醚 (PBDE)
马达组件	0	0	0	0	0	0
机壳组件	0	0	0	0	0	0
控制部件 (开关, PCB等)	X	0	0	0	0	0
传动部件	0	0	0	0	0	0
电池包	X	0	0	0	0	0
充电器	X	0	0	0	0	0
附件 (钻头/砂轮片 等)	0	0	0	0	0	0
电线组件	X	0	0	0	0	0

本表格依据 SJ/T 11364 的规定编制。
 0: 标识该有害物质在该部位所有均质材料中的含量均在 GB/T 26572 规定的限量要求以下。
 X: 标识该有害物质至少在该部位的某一均质材料中的含量超出 GB/T 26572 规定的限量要求
 备注: 本产品不必包含以上所述的所有部件。由于生产工艺和技术的不可替代性, 本产品中含有某些有害物质, 在环保使用期限内可以放心使用, 超过环保使用期限之后则应进入回收循环系统。

环保使用期限为“电子电气产品中含有的有害物质不会发生外泄或突变, 电子电气产品用户正常使用该电子电气产品不会对环境造成严重污染或对其人身、财产造成严重损害的期限”。



: 环保使用期限为 20 年。此环保使用期限不代表产品的安全使用期限和质量保证年限。

용도

STANLEY FATMAX SCD711 해머 드릴은 스크류 드라이빙 작업과 목재, 금속, 플라스틱 및 연질 석조 드릴링 용으로 설계되었습니다. 이 공구는 전문가 및 개인, 비전문 사용자를 위한 것입니다.

안전 지침

일반 안전 경고



경고: 이 전동 공구와 함께 제공되는 모든 안전 경고와 지시사항, 설명 및 사양을 읽으십시오.
아래 설명한 모든 지시 사항을 따르지 않으면 감전, 화재 및/또는 심각한 부상을 초래할 수 있습니다.

항후 참고할 수 있도록 모든 경고 및 지시 사항을 보관해두십시오. 경고에서 사용된 "전동 공구"라는 용어는 주 공급 전원에 의해 전기가 공급되는 (유선) 전동 공구 또는 충전식 (무선) 전동 공구를 의미합니다.

1. 작업장 안전

- 작업장을 항상 청결하고 밝게 유지하십시오.** 혼잡하거나 어두운 작업장에서는 사고가 발생하기 쉽습니다.
- 가연성 액체, 가스 또는 먼지 등이 있는 폭발성 대기에서 전동 공구를 사용하지 마십시오.** 전동 공구에서 먼지나 가스를 발사시킬 수 있는 불꽃이 될 수 있습니다.
- 전동 공구로 작업하는 동안에는 어린이와 주변 사람들이 작업 영역에 가까이 들어오지 못하도록 하십시오.** 주변이 산만해져 통제력을 잃을 수 있습니다.

2. 전기 안전

- 동공구의 플러그는 콘센트와 형식이 일치해야 하며, 플러그를 어떤 형태로든 개조하지 마십시오.** 또한 접지된 전동공구에 다른 어댑터 플러그를 사용하지 마십시오. 개조되지 않은 플러그 및 형식이 일치하는 콘센트를 사용하면 감전 위험이 늘어납니다.
- 파이프 관, 라디에이터, 렌치, 냉장고 등의 접지 표면에 물이 닿지 않도록 하십시오.** 몸에 닿을 경우 감전이 될 위험이 높아집니다.
- 전동 공구를 비 또는 습한 환경에 노출하지 않도록 주의하십시오.** 전동 공구에 물이 들어가면 감전 위험이 높아집니다.
- 코드를 함부로 다루지 마십시오.** 코드를 사용하여 전동공구를 운반하거나, 코드를 과도하게 잡아당겨서 플러그를 뽑지 않도록 주의하십시오. 전열코드가 열기 또는 오일과 접촉되는 것을 피하고, 날카로운 모서리 또는 기기의 기동 부위에 닿지 않도록 주의 하십시오. 코드가 손상되거나 얽혀 있으면 감전 위험이 높아집니다.
- 전동 공구를 실외에서 사용할 때는 실외 사용에 적합한 연장 코드를 사용하십시오.** 실외 사용에 적합한 코드를 사용하면 감전 위험이 줄어듭니다.
- 전동공구를 습한 공간에서 사용할 경우, 반드시 누전 차단기를 사용하십시오.** 누전 차단기 (RCD) 를 사용하면 감전의 위험이 줄어듭니다. RCD 를 사용하면 감전 위험이 줄어듭니다.

3. 신체 안전 사항

- 전동 공구로 작업할 때는 방심하지 말고 작업에 주의하면서 상식에 따르십시오.** 피곤한 상태이거나 약물, 술, 치료제를 복용한 상태에서는 전동 공구를 사용하지 마십시오. 전동 공구를 사용하다 잠깐만 한 눈을 팔어도 심각한 부상을 당할 수 있습니다.
- 신체 보호 장비를 착용하십시오.** 항상 보안경을 착용하십시오. 적합한 상황에서 방진 마스크, 미끄럼 방지 안전화, 안전모 또는 청력 보호 기구 등의 보호 장비를 사용하면 신체 부상 위험이 줄어듭니다.
- 의도하지 않은 장비 가동 방지.** 전원 및/또는 배터리 팩에 연결한 상태로 공구를 선택 또는 운반할 때는 사전에 스위치가 꺼짐 위치에 있는지 반드시 확인하십시오. 스위치가 꺼짐 위치에 있는 상태에서 스위치가 손가락이 닿은 상태로 전동 공구를 운반하거나 전동 공구에 전원을 공급하면 사고가 발생합니다.
- 전동 공구를 켜기 전에 모든 조정 키 또는 렌치를 제거하십시오.** 전동 공구의 회전 부품에 렌치나 키가 부착되어 있으면 부상을 당할 수 있습니다.
- 무리하게 팔을 뻗지 마십시오.** 항상 올바른 자세로 서서 균형을 유지하십시오. 안정된 자세로 작업을 할 경우 전동 공구를 안전하게 사용할 수 있습니다.
- 작업에 적절한 의복을 착용 하십시오.** 헐렁한 옷이나 장신구를 착용하지 마십시오. 머리카락과 옷이 움직이는 부품에 닿지 않도록 유의하십시오. 헐렁한 옷, 장신구 또는 긴 머리카락이 움직이는 부품에 걸 수 있습니다.
- 먼지 배출 및 집진 시설 연결을 위한 장치 제공된 경우,** 이를 장치가 연결되어 적절히 사용되고 있는지 반드시 확인하십시오. 집진 장치를 사용하면 먼지와 관련된 위험을 줄일 수 있습니다.
- 장치를 자주 사용함으로써 생긴 익숙함으로 인해 현실에 안주하거나 공구 안전 원칙을 무시하지 않도록 하십시오.** 부주의한 작동은 순식간에 심각한 부상을 야기할 수 있습니다.

4. 전동 공구 사용 및 관리

- 전동 공구에 무리한 힘을 가하지 마십시오.** 해당 용도에 맞는 올바른 전동 공구를 사용하십시오. 올바른 전동 공구를 사용하여 설계된 속도로 작업을 더욱 안전하고 정확하게 수행할 수 있습니다.
- 꺼지지 않거나 꺼지지 않는 경우 전동 공구를 사용하지 마십시오.** 스위치로 제어되지 않는 전동 공구는 위험하므로 수리해야 합니다.
- 전동 공구를 조정하거나 액세서리를 변경하거나 보관하기 전에 전동 공구에서 분리되는 경우 전원에서 플러그를 뽑거나 또는 배터리 팩을 분리하십시오.** 이러한 예방적 안전 조치를 따라야 전동 공구가 갑자기 작동할 위험이 줄어듭니다.
- 사용하지 않는 전동 공구는 어린이의 손이 닿지 않는 곳에 보관하고, 전동 공구나 본 지시 사항에 익숙하지 않은 사람이 전동 공구를 절대 사용하지 못하게 하십시오.** 전동 공구는 훈련을 받지 않은 사용자가 다루면 위험합니다.
- 전동 공구 및 액세서리 유지 보수.** 움직이는 부품의 잘못된 정렬이나 바인딩, 부품 파손 및 기타 전동 공구의 작동에 영향을 미칠 수 있는 기타 모든 상태를 확인하십시오. 손상된

부분이 있는 경우 사용하기 전에 전동 공구를 수리하십시오. 많은 사고는 전동 공구를 제대로 유지 보수하지 않아 발생합니다.

- f. 공구를 깨끗한 상태로 유지하십시오. 절삭 가장자리를 예리하게 잘 유지하면 절삭기를 사용할 때 바인딩이 적고 다루기가 용이합니다.
- g. 작업 환경과 수행할 작업을 고려하여, 본 지시 사항에 따라 전동 공구, 액세서리 및 톨 비트 등을 사용하십시오. 본 사용 설명서의 내용과 다른 용도로 전동 공구를 사용하면 위험한 상황이 발생할 수 있습니다.
- h. 핸들과 잡는 표면은 건조하고 깨끗한 상태를 유지하고 오일/기름이 묻지 않도록 하십시오. 미끄러운 핸들과 잡는 면은 예기치 못한 상황에서 안전한 취급과 공구 관리를 보장하지 않습니다.

5. 배터리 공구 사용 및 주의 사항

- a. 다시 충전할 때는 제조업체에서 지정한 충전기만 사용하십시오. 하나의 배터리 팩 유형에 적합한 충전기를 다른 배터리 팩과 함께 사용할 경우 화재의 위험이 있습니다.
- b. 전동 공구를 사용할 때는 구체적으로 지정되어 있는 배터리 팩만 사용하십시오. 다른 배터리 팩을 사용하면 부상을 입거나 화재의 위험이 있습니다.
- c. 배터리 팩을 사용하지 않을 때에는 클립, 동전, 키, 못, 나사 등의 금속 물체나, 단자 간에 연결할 수 있는 작은 금속 물체가 닿지 않도록 멀리 두십시오. 배터리 단자가 단락되면 화상을 입거나 화재의 위험이 있습니다.
- d. 배터리를 과다 사용하면 액체가 배터리에서 흘러 나올 수 있으므로, 접촉을 피하십시오. 실수로 접촉한 경우에는 물로 씻으십시오. 액체가 눈에 들어간 경우 치료를 받으십시오. 배터리에서 나온 액체는 통증을 유발하거나 화상을 입힐 수 있습니다.
- e. 손상되거나 변경된 배터리 팩 또는 공구를 사용하지 마십시오. 손상되거나 개조된 배터리는 예측할 수 없는 작용을 보여, 화재, 폭발 또는 부상 위험을 야기할 수 있습니다.
- f. 배터리 팩 또는 공구를 불이나 과도한 온도에 노출하지 마십시오. 불 또는 130 °C 이상의 온도에 노출되면 폭발할 수 있습니다.
- g. 모든 충전 지침을 따르고 배터리 팩 또는 공구를 설명서에 지정된 범위 밖의 온도에서 충전하지 마십시오. 적절하지 않게 충전하거나 지정된 범위 밖의 온도에서 충전하면 배터리가 손상되어 화재 위험이 증가될 수 있습니다.

6. 정비

- a. 자격을 갖춘 기술자가 동일 교체 부품을 사용하여 정비 작업을 수행해야 합니다. 그래야 전동 공구의 안전이 보장됩니다.
- b. 손상된 배터리 팩을 정비하지 마십시오. 배터리 팩은 제조업체 또는 공인 서비스 공급업체를 통해서만 점검을 받아야 합니다.

추가 전동 공구 안전 경고

- 절단 부속품이 숨겨진 배선이나 자체 코드에 닿을 수 있는 작업을 수행할 때는 절연 그림 표면으로 전동 공구를 잡으십시오. "실제" 단어에 접촉하는 절단 액세서리는 전동 공구의 금속 부분이 '실제'로 노출되어 작업자에게 감전될 수 있습니다.
- 임팩트 드릴이있는 귀마개를 착용하십시오 소음에 노출되면 청력이 손상 될 수 있습니다.

- 클램프 또는 바이스를 사용하여 공작물을 안정적인 플랫폼에 고정하고 지지하십시오. 공작물을 손으로 잡거나 몸에 대면 불안정하게되어 제어력을 잃을 수 있습니다.
- 패스너를 벽, 바닥 또는 천장에 박기 전에 배선 및 파이프의 위치를 확인하십시오.
- 사용 목적은 이 사용 설명서에 설명되어 있습니다.
- 이 지침 설명서에서 권장하는 것 이외의 액세서리 나 부속물을 사용하거나 이 공구로 작업을 수행하면 부상 및 / 또는 재산 피해의 위험이 있습니다.

1) 모든 작업에 대한 안전 지침

- a) 임팩트 드릴링시 귀마개를 착용하십시오. 소음에 노출되면 청력이 손상될 수 있습니다.
- b) 사용하기 전에 공구를 적절하게 고정하십시오. 이 공구는 높은 출력 토크를 생성하며 작동중에 공구를 적절히 보강하지 않으면 제어력이 상실되어 부상을 입을 수 있습니다.
- c) 패스너가 숨겨진 배선과 접촉할 수 있는 작업을 수행할 때 절연 그림 표면으로 전동 공구를 잡으십시오. "전기가 통하는"전선과 접촉하는 패스너는 전동 공구의 노출 된 금속 부분을 "통전" 시켜 작업자가 감전될 수 있습니다.

2) 긴 드릴 비트 사용시 안전 지침

- a) 드릴 비트의 최대 속도 등급보다 높은 속도로 작동하지 마십시오. 고속에서 공작물에 접촉하지 않고 자유롭게 회전하면 비트가 구부러져 부상을 입을 수 있습니다.
- b) 항상 저속으로 드릴링을 작동하고 비트 팁이 공작물에 닿은 상태에서 드릴링을 시작하십시오. 고속에서 공작물에 접촉하지 않고 자유롭게 회전하면 비트가 구부러져 부상을 입을 수 있습니다.
- c) 비트와 일직선으로 만 압력을 가하고 과도한 압력을 가하지 마십시오. 비트가 구부러져 파손되거나 제어력이 상실되어 부상을 입을 수 있습니다.

타인의 안전

- 이 기기는 안전을 책임지는 사람이 기기 사용에 대해 감독하거나 지시하지 않는 한 신체적, 감각적 또는 정신적 능력이 약하거나 경험과 지식이 부족한 사람(어린이 포함)이 사용하도록 설계되지 않았습니다.
- 어린이가 기기를 가지고 놀지 않도록 감독해야 합니다.

기타 발생 가능한 위험

기기를 사용할 때 동봉된 안전 경고에 포함되어 있지 않은 기타 발생 가능한 위험들이 발생할 수 있습니다. 이러한 위험은 오용, 장시간 사용 등으로 인해 발생할 수 있습니다.

관련된 안전 규정을 준수하고 안전 장치를 사용한다고 해도 어떤 위험들은 피하지 못할 수도 있습니다. 이러한 위험으로는 다음과 같은 것들이 있습니다.

- 회전 부품이나 작동 부품을 먼저 발생하는 부상.
- 부품, 톨날 또는 액세서리 변경으로 인한 부상.
- 장시간에 걸친 기기 사용으로 인한 부상. 어떤 기기이든 장시간에 걸쳐 사용할 때는 반드시 정기적인 휴식을 취하십시오.
- 청력 손상.
- 기기 사용 중에 발생하는 먼지를 호흡하여 유발되는 건강 위해성 (예: 목재, 특히 오크, 너도밤나무 및 MDF 가공 작업).

공구의 레이블

날짜 코드와 함께 다음 그림이 공구에 표시됩니다.

	경고! 부상 위험을 줄이려면 사용자는 사용 전에 사용 설명서를 주의 깊게 읽어야 합니다.		
	항상 보호 안경 또는 고글을 착용하십시오.		
	귀 보호 장구를 착용하십시오.		
	방진 마스크를 착용하십시오.		
V	볼트		직류
A	암페어	η_0	평가 속도
Hz	헤르츠		클래스 II 건설 산업용
W	와트		접지 단자
min	분		안전 경고 기호
	교류 전류	/min.	분당 회전 또는 왕복 수

데이터 코드 위치

날짜 코드에는 제조년도도 포함되어 케이스에 인쇄되어 있습니다.
예:

2023 XX JN
제조년도

배터리 및 충전기에 대한 추가 안전 지침

배터리

- 어떤 이유로든 든 열지 마십시오.
- 배터리를 물에 노출시키지 마십시오.
- 온도가 40 °C를 초과할 수 있는 장소에 보관하지 마십시오.
- 주변 온도가 10 °C ~ 40 °C 인 경우에만 충전하십시오.
- 공구와 함께 제공된 충전기 만 사용하여 충전하십시오.
- 배터리를 폐기할 때는 "환경 보호" 섹션의 지침을 따르십시오.
- 직사광선이 비치는 차량 내부에는 제품 또는 배터리를 보관하지 마십시오.

충전기

- STANLEY FATMAX 충전기는 제공된 도구로 배터리를 충전하는 데만 사용하십시오. 다른 배터리는 파열되어 부상을 입거나 손상될 수 있습니다.
- 비 충전식 배터리를 충전하지 마십시오.
- 결함이 있는 코드는 즉시 교체하십시오.
- 충전기를 물에 노출시키지 마십시오.
- 충전기를 열지 마십시오.
- 충전기를 조사하지 마십시오.
- 제품 충전 시 제품에서 연기가 나면 즉시 전원 플러그를 뽑은 후 스탠리블랙엔더 고객지원센터로 연락하십시오.

- 충전기에 제품을 거치하여 충전이 시작되는 순간 누전차단기가 작동하면 즉시 충전을 멈추고 고객지원센터로 연락하십시오.
- 제품을 충전할 때, 제품 전원을 끄는지 반드시 확인하고 충전하십시오.
- 전원 플러그를 하나의 콘센트 (멀티탭) 에 여러 제품을 동시에 사용하지 마십시오.
*콘센트의 이상 발열로 화재의 원인이 됩니다.
*차단기가 작동하여 전원이 꺼질 수 있습니다.
- 전원선을 무리하게 구부리거나 무거운 물건에 눌러 손상되지 않도록 주의하십시오.
*전원선이 손상되어 감전 또는 화재의 원인이 됩니다
- 배터리 충전이 완료 된 이후에는 충전기 전원 플러그를 빼십시오.
*감전, 누전 및 화재의 원인이 됩니다.
- 변압기를 사용하는 경우 전압, 주파수, 정격 전력의 조건이 다르기 때문에 감전, 화재의 원인이 될 수 있습니다.
- 충전기가 침수됐거나 물이 들어간 경우에는 사용을 중지하십시오.
- 충전기를 청소 할 때는 반드시 전원 플러그를 빼십시오.
- 외출 시에는 반드시 충전기 전원 플러그를 뽑아 주십시오
*누전, 화재의 원인이 될 수 있습니다.
- 충전 단자에 젓가락, 드라이버 등을 넣거나 접촉하여 쇼트시키지 마십시오.
- 동물이 충전기 전원선을 갉아 먹지 않도록 주의 하십시오.
- 어린이 등, 경험과 지식이 부족한 사람이 사용할 경우에는 보호자가 꼭 보호하에 사용하도록 해주십시오.



충전기는 실내 전용입니다.



사용하기 전에 사용 설명서를 읽으십시오.



손상된 배터리를 충전하지 마십시오

전기 안전



충전기는 특정 전압에 맞게 설계되었습니다. 전원 전압이 명판의 전압과 일치하지는 항상 확인하십시오. 충전기를 일반 전원 플러그로 교체하지 마십시오.

- 전원 코드가 손상된 경우 위험을 피하기 위해 제조업체 또는 공인 된 STANLEY FATMAX 서비스 센터에서 교체해야 합니다.



경고! 충전기를 일반 전원 플러그로 교체하지 마십시오.

기능

이 공구에는 다음 기능 중 일부 또는 모두가 포함되어 있습니다.

- 트리거 스위치
- 정 회전 / 역 회전 버튼
- 토크 조정 칼라
- 기어 변환 레버
- 키리스 척
- 배터리
- 배터리 해제 버튼
- LED 작업등

사용



경고! 공구가 자체 속도로 작동하도록하십시오. 과부하하지 마십시오.

배터리 충전 (그림 A)

배터리는 처음 사용하기 전과 이전에 쉽게 수행했던 작업에서 충분한 전력을 공급하지 못할 때마다 충전해야 합니다. 충전하는 동안 배터리가 따뜻해질 수 있습니다. 이것은 정상적인 현상이며 문제를 나타내는 것이 아닙니다.



경고! 주변 온도가 10°C 이하 또는 40°C 이상인 장소에서는 배터리를 충전하지 마십시오. 권장 충전 온도 : 약 24°C.

참고: 배터리의 온도가 약 10°C 이하이거나 40°C 이상이면 충전기가 배터리를 충전하지 않습니다.

배터리는 충전기에 그대로 두어야 하며 셀 온도가 예열되거나 냉각되면 충전기가 자동으로 충전되기 시작합니다.

참고: 리튬 이온 배터리 팩의 최대 성능과 수명을 보장하려면 처음 사용하기 전에 배터리 팩을 완전히 충전하십시오.

- 배터리 팩 (9) 을 삽입하기 전에 충전기 (6) 를 적절한 콘센트에 꽂으십시오.
- 녹색 충전 표시등 (9a) 이 계속 깜박이면 충전 프로세스가 시작되었음을 나타냅니다.
- 충전이 완료되면 녹색 충전 표시등 (9a) 이 계속 켜져 있습니다. 배터리 팩 (6) 은 완전히 충전되었으며 이제 분리하여 사용하거나 충전기 (9) 에 그대로 둘 수 있습니다.
- 방전 된 배터리는 1 주일 이내에 충전하십시오. 방전 된 상태로 보관하면 배터리 수명이 크게 줄어듭니다.

충전기 LED 모드

SC120 을 제외한 모든 충전기의 표시

	충전중	--- ---	
	완전 충전됨	-----	
	냉/온 팩 지연	--- ---	

SC120 충전기 표시만 해당

	충전중	--- ---	
	완전 충전됨	-----	
	냉/온 팩 지연	--- ---	

참고: 호환되는 충전기는 결함이 있는 배터리 팩을 충전하지 않습니다. 충전기는 점등되지 않음으로써 배터리 팩에 결함이 있음을 나타냅니다.

참고: 이것은 또한 충전기 문제를 의미할 수도 있습니다. 충전기에 문제가 있는 것으로 나타나면 충전기와 배터리 팩을 가지고 공인 서비스 센터에서 테스트를 받으십시오.

충전기에 배터리 보관

충전기와 배터리 팩은 LED 표시등이 점등된 상태로 연결되어 있을 수 있습니다. 충전기는 배터리 팩을 완전히 충전 된 상태로 유지합니다.

핫 / 콜드 팩 딜레이

충전기가 배터리가 너무 뜨겁거나 너무 차가움을 감지하면 자동으로 핫 / 콜드 팩 딜레이를 시작하고 녹색 LED (9a) 표시등이 간헐적으로 깜박이고 빨간색 LED (9b) 표시등이 계속 켜져 있습니다. 그러면 충전기가 자동으로 팩 충전 모드로 전환됩니다. 이 기능은 최대 배터리 수명을 보장합니다.

배터리 충전 상태 표시기 (그림 B)

배터리에는 그림 B와 같이 배터리 수명 범위를 빠르게 확인할 수 있는 충전 상태 표시기가 포함되어 있습니다. 충전 상태 버튼 (6a) 을 누르면 그림 B와 같이 배터리 잔량을 쉽게 확인할 수 있습니다.

벽 장착

일부 STANLEY FATMAX 충전기는 벽에 장착하거나 테이블이나 작업면에 똑바로 서도록 설계되었습니다.

벽에 장착된 경우 손이 닿는 곳에 충전기를 배치합니다. 전기 콘센트 및 공기 흐름을 방해할 수 있는 코너 또는 기타 장애물로부터 멀리 떨어져 있어야 합니다.

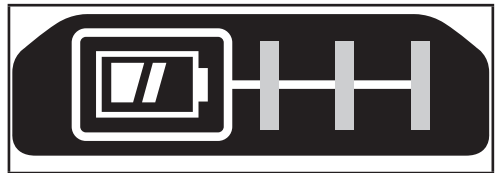
충전기 뒷면을 벽면 나사에 장착이 되기 위한 템플릿으로 사용합니다.

나사 머리 지름이 0.28–0.35”(7–9mm)이고 목재에 최적의 깊이로 나사를 조여 약 7/32”(5.5mm)의 나사를 노출시킨 상태에서 최소 1”(25.4mm) 길이의 벽 나사를 사용하여 충전기를 안전하게 장착합니다.

충전기 뒷면의 슬롯을 노출된 나사와 맞추고 슬롯에 완전히 끼웁니다.

참고: SC120 충전기를 벤치나 테이블 아래에 장착하지 마세요.

참고: 충전등이 위로 향하도록 SC120 충전기를 장착하십시오.



공구에서 배터리 팩 설치 및 제거



경고! 배터리를 제거하거나 설치하기 전에 스위치 작동을 방지하기 위해 잠금 해제 버튼이 잠겨 있는지 확인하십시오.

배터리 팩을 설치하려면 (그림 C)

- 그림 C와 같이 딸깍 소리가 날 때까지 배터리 팩을 공구에 단단히 삽입하십시오. 배터리 팩이 완전히 장착되고 제자리에 완전히 고정되었는지 확인하십시오.

배터리 팩을 제거하려면 (그림 D)

- 그림 D와 같이 배터리 해제 버튼 (7) 을 누르고 배터리 팩을 공구에서 빼냅니다.

벨트 훅 (미포함, 유럽형용선) (그림 E, F)



경고! 심각한 부상의 위험을 줄이려면 전진 / 후진 버튼을 잠금 해제 위치에 두거나 도구를 끄고 부착물 또는 액세서리를 제거 / 설치하기 전에 배터리 팩을 분리하십시오. 실수로 작동하면 부상을 입을 수 있습니다.



경고! 심각한 부상의 위험을 줄이려면 공구의 벨트 후크 (10) 만 사용하여 작업 벨트에 공구를 걸십시오. 벨트 후크 (10) 를 사용하여 공구를 사다리나 물체에 묶거나 고정하는 데 사용하지 마십시오. 공구를 머리 위에 매달거나 벨트 후크에 물건을 매달지 마십시오.



경고! 심각한 부상의 위험을 줄이려면 벨트 후크를 고정하는 나사 (11) 가 단단히 고정되었는지 확인하십시오.

참고: 벨트 후크 (10) 를 부착하거나 교체할 때는 제공된 나사 (11) 만 사용하십시오. 나사를 단단히 조이십시오.

벨트 후크 (10) 는 제공된 나사 (11) 만 사용하여 공구의 양쪽에 부착할 수 있으므로 왼손잡이 또는 오른 손잡이 사용자가 사용할 수 있습니다. 후크가 전혀 필요하지 않은 경우 공구에서 제거할 수 있습니다.

벨트 후크를 이동하려면 벨트 후크 (10) 를 제자리에 고정하는 나사 (11) 를 제거한 후 반대쪽에서 다시 조립하십시오. 나사 (11) 를 단단히 조이십시오.

키리스 척 (그림 G)



경고! 액세서리를 설치하거나 제거하기 전에 공구 작동을 방지하기 위해 배터리 팩을 제거했는지 확인하십시오.

드릴 비트 또는 기타 액세서리를 삽입하려면:

- 척 (5) 을 잡고 척 끝에서 봤을 때 시계 반대 방향으로 돌립니다.
- 비트 또는 기타 액세서리 (13) 를 척에 완전히 삽입하고 척 끝에서 볼 때 척을 시계 방향으로 돌려 단단히 조입니다.



경고! 척의 앞부분을 잡고 공구를 켜서 드릴 비트 (또는 기타 액세서리) 를 조이거나 풀지 마십시오.

트리거 스위치 및 전진 / 후진 버튼 (그림 H)

- 드릴은 그림 H에 표시된 트리거 스위치 (1) 를 당기고 놓으면 켜고 끌 수 있습니다. 트리거를 더 많이 누를수록 드릴 속도가 빨라집니다.
- 정 회전 / 역 회전 제어 버튼 (2) 은 공구의 회전 방향을 결정하고 잠금 해제 버튼 역할도 합니다.
- 정 회전을 선택하려면 트리거 스위치를 놓고 공구 오른쪽에 있는 정 회전 / 역 회전 제어 버튼을 누르십시오.
- 역 회전을 선택하려면 공구 왼쪽에 있는 정 회전 / 역 회전 제어 버튼을 누르십시오.
- 제어 버튼의 중앙 위치는 공구를 꺼진 위치에 고정합니다. 제어 버튼의 위치를 변경할 때 트리거가 해제되었는지 확인하십시오.

토크 제어 조정 (그림 I)

이 공구에는 작동 모드를 선택하고 나사 조임 토크를 설정하기 위한 토크 조정 칼라 (3) 가 장착되어 있습니다. 큰 나사 및 단단한 공작물 재료는 작은 나사 및 부드러운 공작물 재료보다 높은 토크 설정이 필요합니다.

- 목재, 금속 및 플라스틱 드릴링의 경우 칼라 (3) 를 드릴링 위치 기호로 설정합니다.
- 가벼운 벽돌에서 드릴링하려면 칼라 (3) 를 해머 드릴링 위치로 설정하십시오.

- 스크류 드라이빙의 경우 칼라를 원하는 설정으로 설정하십시오. 적절한 설정을 아직 모르는 경우 다음과 같이 진행하십시오.

- 칼라를 최저 토크 설정으로 설정합니다.
- 첫 번째 나사를 조입니다.
- 원하는 결과를 얻기 전에 클러치가 래치되면 칼라 설정을 높이고 나사를 계속 조입니다.
- 올바른 설정에 도달할 때까지 반복하십시오.
- 나머지 나사에는 이 설정을 사용하십시오.

기어 변환 레버 (그림 J)

드릴의 기어 변환 기능을 사용하면 더 큰 다양성을 위해 기어를 번갈아 사용할 수 있습니다.

- 저속, 고 토크 설정 (위치1) 을 선택하려면 공구를 끄고 정지를 허용하십시오. 척에서 기어 시프터 버튼 (4) 을 밀어냅니다.
- 고속, 저 토크 설정 (위치2) 을 선택하려면 공구를 끄고 멈춥니다. 기어 시프터 버튼을 척쪽으로 다시 밀니다.

참고: 공구가 작동 중일 때 기어를 변경하지 마십시오. 기어를 변경하는 데 문제가 있는 경우 이중 범위 기어 버튼을 완전히 앞으로 밀거나 완전히 뒤로 밀었는지 확인하십시오.

나사 드라이빙

- 패스너를 구동하려면 정 회전 / 역 회전 버튼을 왼쪽으로 눌러야 합니다.
- 패스너를 제거하려면 역 회전 버튼 (오른쪽으로 눌러서) 을 사용하십시오.

참고: 정 회전에서 역 회전으로 또는 그 반대로 이동할 때는 항상 트리거 스위치를 먼저 놓으십시오.

드릴링

- 날카로운 드릴 비트 만 사용하십시오.
- 안전 지침의 지시에 따라 제대로 지원하고 안전하게 작업하십시오.
- 안전 지침에 설명 된대로 적절하고 필요한 안전 장비를 사용하십시오.
- 안전 지침의 지시에 따라 작업 영역을 고정하고 유지 관리하십시오.
- 드릴 비트가 빠져 나가지 않도록 구멍이 충분히 시작될 때까지 약간의 압력을 사용하여 드릴을 매우 천천히 실행하십시오.
- 비트로 직선으로 압력을 가하십시오. 비트를 몰지 않도록 충분한 압력을 사용되도록 모터를 정지 시키거나 비트를 편향시키지 않도록 하십시오.
- 두 손으로 드릴을 단단히 잡으십시오. 한 손은 핸들을 잡고 다른 한 손은 배터리 영역 또는 보조 핸들 (제공된 경우) 주위의 바닥을 잡습니다.
- 시작을 시도할 때 끊인 드릴의 트리거를 클릭하지 마십시오. 드릴에 손상이 발생할 수 있습니다.
- 압력을 줄이고 구멍의 마지막 부분을 천천히 드릴링하여 돌파시 스톨을 최소화합니다.
- 드릴 된 구멍에서 비트를 당기면서 모터를 계속 작동시키십시오. 이렇게 하면 끼임을 줄이는 데 도움이 됩니다.
- 스위치가 드릴을 켜고 끄는 지 확인하십시오.

목재 드릴링

나무의 구멍은 금속 또는 스페이드 비트에 사용되는 것과 동일한 트루스트 드릴 비트로 만들 수 있습니다. 이 비트는 날카롭고

플루트에서 칩을 제거하기 위해 드릴링할 때 자주 당겨야 합니다.

금속 드릴링

금속을 드릴링할 때 절삭 윤활유를 사용하십시오. 건식 드릴링해야 하는 주철과 황동은 제외됩니다. 가장 잘 작동하는 절삭유는 황화 절삭유입니다.

석조물 드릴링

석조 드릴링의 경우 기호를 표시와 정렬하여 칼라 (3) 를 해머 드릴링 위치로 설정합니다. 카바이드 팁 석조 비트를 사용하십시오. 드릴에 균일 한 힘을 유지하십시오. 부드럽고 균일 한 먼지 흐름은 적절한 드릴링 속도를 나타냅니다.

LED 작업등 (그림 H)

트리거 스위치 (1) 를 당겨 드릴이 활성화되면 통합 LED 작업 등 (8) 이 자동으로 작업 영역을 비춥니다.

참고: 작업등은 바로 작업 표면을 비추기 위한 것이며 손전등으로 사용할 수 없습니다.

문제 해결

문제	가능한 원인	가능한 해결책
기기가 작동하지 않습니다	배터리 팩이 제대로 설치되지 않았습니다. 배터리 팩이 충전되지 않았습니다.	배터리 팩 설치를 확인하십시오. 배터리 팩 충전 요구 사항을 확인하십시오.
배터리 삽입 즉시 장치 작동	스위치가 "꺼짐" 위치에 있습니다.	배터리를 삽입 할 때 공구가 즉시 시작되지 않도록 스위치를 "꺼짐" 으로 설정해야 합니다.
배터리 팩이 충전되지 않습니다.	배터리 팩이 충전기에 삽입되지 않았습니다. 충전기가 연결되지 않았습니다.	LED가 켜질 때까지 배터리 팩을 충전기에 삽입합니다. 충전기를 작동하는 콘센트에 꽂습니다.
정치가 갑자기 꺼집니다.	배터리 팩이 최대 열 한계에 도달했습니다. 충전이 되지 않습니다. (배터리 팩의 수명을 최대화하기 위해 충전이 고갈되면 갑자기 꺼 지도록 설계되었습니다.)	충전기와 배터리 팩을 주변 공기 온도가 45 ° C 이상 또는 +40.5 ° C 이하로 이동하십시오. 충전기에 놓고 충전하십시오.

유지 보수

STANLEY FATMAX 공구는 최소한의 유지 보수로 장기간 작동하도록 설계되었습니다. 만족스러운 연속 작동은 적절한 공구 관리와 정기적인 청소에 따라 그 성능이 달라질 수 있습니다
충전기는 정기적 인 청소 외에 유지 관리가 필요하지 않습니다.



경고! 공구에 대한 유지 관리를 수행하기 전에 공구에서 배터리를 제거하십시오. 청소하기 전에 충전기의 플러그를 뽑으십시오.

- 제품 / 공구 / 충전기의 환기 슬롯을 부드러운 솔이나 마른 천으로 정기적으로 청소하십시오.
- 젖은 천을 사용하여 모터 하우징을 정기적으로 청소하고
- 연마제나 솔벤트 기반 세제를 사용하지 마십시오

환경 보호



분리 수거. 이 기호가 표시된 제품과 배터리를 일반 가정용 쓰레기와 함께 처리하면 안됩니다.

제품과 배터리에는 재활되거나 재사용되고 고철 자원에 대한 수요를 줄일 수 있는 자재가 포함되어 있습니다. 지역 규정에 따라 전기 제품을 재활용하십시오.

기술 데이터

		SCD711	
전압	V _{DC}	18V (20V MAX)	
무부하 속도	Min ⁻¹	0-400/0-1500	
최대 토크	Nm	50	
척 용량	mm	13	
최대 드릴링 용량			
강철 / 나무 / 벽돌	mm	13/35/13	
무게	kg	1.2	

충전기		SC125	SC200	SC400 SC401	SC120
입력 전압	V _{AC}	220-240	220-240	220-240	220-240
출력 전압	V _{DC}	18V (20V MAX)	18V (20V MAX)	18V (20V MAX)	18V (20V MAX)
전류	A	1.25	2	4	1.25

배터리		SB201	SB202	SB204	SB206
전압	V _{DC}	18V (20V MAX)	18V (20V MAX)	18V (20V MAX)	18V (20V MAX)
용량	Ah	1.5	2.0	4.0	6.0
유형		Li-Ion	Li-Ion	Li-Ion	Li-Ion

서비스 정보

STANLEY FATMAX는 회사 소유 및 공인 서비스 지점의 전체 지역범위내의 서비스를 제공합니다. 모든 STANLEY FATMAX 서비스 센터에는 교육을 받은 적격 직원이 있습니다.

효율적이고 신뢰할 수 있는 전동 공구 서비스를 제공합니다. 당사의 공인 서비스 센터에 대한 자세한 정보와 기술 상담, 수리 또는 부품 교체 부품이 필요한 경우 가까운 STANLEY FATMAX 지점에 문의하거나 www.stanleytools.co.kr 을 방문하십시오.

기타 서비스 관련 문의 사항이 있으실 경우 스탠리블랙앤데커 고객센터 센터 (1577-0933) 으로 문의하십시오.

Tujuan penggunaan

Bor beton STANLEY FATMAX SCD711 anda sudah didesain untuk penerapan pemasangan baut dan untuk pengeboran pada kayu, logam, plastik dan bata lunak. Perangkat ini hanya dimaksudkan untuk pengguna bukan ahli, profesional dan pribadi.

Petunjuk keselamatan

Peringatan umum untuk keselamatan perkakas listrik



PERINGATAN: Baca semua peringatan keamanan, instruksi, ilustrasi, dan spesifikasi yang disertakan bersama perkakas listrik ini. Kegagalan mengikuti seluruh instruksi yang tercantum di bawah ini dapat mengakibatkan sengatan listrik, kebakaran, dan/atau cedera berat

Simpan semua peringatan dan petunjuk untuk referensi di masa mendatang.

Istilah "perkakas listrik" dalam peringatan merujuk pada perkakas listrik beroperasi listrik induk (berkabel) atau perkakas listrik beroperasi baterai (nirkabel).

1. Keselamatan area kerja

- a. **Jaga agar area kerja tetap bersih dan terang.** Area yang berantakan atau gelap berpotensi mengakibatkan kecelakaan.
- b. **Jangan mengoperasikan perkakas listrik ini di lingkungan yang mudah menimbulkan bahaya ledakan, seperti di tempat yang terdapat cairan, gas, atau debu yang mudah terbakar.** Perkakas listrik menimbulkan percikan api yang dapat menyulut debu atau uap.
- c. **Jauhkan anak-anak dan orang-orang di sekitar Anda saat mengoperasikan perkakas listrik.** Gangguan dapat menyebabkan Anda kehilangan kendali.

2. Keselamatan kelistrikan

- a. **Steker perkakas listrik harus sesuai dengan soketnya. Jangan pernah memodifikasi steker dengan cara apa pun.** Jangan gunakan steker adaptor apa pun dengan perkakas listrik yang dibumikan (diardekan). Steker yang tidak dimodifikasi dan stopkontak yang sesuai akan mengurangi risiko sengatan listrik.
- b. **Hindari kontak badan dengan permukaan yang dibumikan (grounded), seperti pipa, radiator, kompor, dan kulkas.** Risiko sengatan listrik dapat meningkat jika tubuh Anda bersentuhan dengan permukaan yang dibumikan.
- c. **Jangan sampai perkakas listrik ini terkena hujan atau terpapar di kondisi yang basah.** Air yang masuk ke perkakas listrik akan meningkatkan risiko sengatan listrik.

- d. **Jangan menyalahgunakan kabel. Jangan sekali-kali menggunakan kabel untuk membawa, menarik, atau mencabut perkakas listrik. Jauhkan kabel dari panas, minyak, tepi tajam, atau komponen yang bergerak.** Kabel yang rusak atau terbelit meningkatkan risiko sengatan listrik.
- e. **Bila mengoperasikan perkakas listrik di luar ruangan, gunakan kabel ekstensi yang sesuai untuk penggunaan di luar ruangan.** Menggunakan kabel yang sesuai untuk penggunaan di luar ruangan akan mengurangi risiko sengatan listrik.
- f. **Jika penggunaan perkakas listrik di lokasi yang lembap tidak dapat dihindari, gunakan suplai yang terlindung oleh perangkat arus sisa (RCD).** Penggunaan RCD akan mengurangi risiko sengatan listrik.

3. Keselamatan diri

- a. **Tetap waspada, perhatikan apa yang Anda kerjakan dan gunakan dalam keadaan sehat saat mengoperasikan perkakas listrik. Jangan mengoperasikan perkakas listrik bila Anda sedang lelah, atau berada di bawah pengaruh obat, alkohol, atau pengobatan.** Kelengahan sesaat saat mengoperasikan perkakas listrik dapat mengakibatkan cedera diri serius.
- b. **Gunakan peralatan pelindung diri. Selalu kenakan alat pelindung mata.** Peralatan pelindung, seperti masker debu, sepatu keselamatan antiselip, helm proyek, atau pelindung telinga yang digunakan untuk kondisi yang sesuai akan mengurangi risiko cedera diri.
- c. **Hindarkan menyalakan alat tanpa disengaja. Pastikan bahwa sakelar sudah dalam posisi mati sebelum menghubungkannya ke sumber listrik dan/atau baterai, mengambil, atau membawa alat.** Membawa perkakas listrik dengan jari Anda masih menempel pada tombol atau menghidupkan perkakas listrik yang tombolnya masih menyala akan berpotensi mengakibatkan kecelakaan.
- d. **Lepaskan semua kunci setelan atau kunci pas sebelum menghidupkan perkakas listrik.** Kunci pas atau kunci yang dibiarkan terpasang pada komponen perkakas listrik yang berputar dapat mengakibatkan cedera diri.
- e. **Jangan melampaui batas penggunaan. Selalu jaga pijakan dan keseimbangan yang baik.** Hal ini memungkinkan Anda untuk mengendalikan perkakas listrik secara lebih baik dalam situasi yang tidak terduga.
- f. **Kenakan pakaian yang sesuai. Jangan mengenakan pakaian longgar atau perhiasan. Jauhkan rambut, pakaian dan sarung tangan dari komponen yang bergerak.** Pakaian yang longgar, perhiasan atau rambut panjang dapat tersangkut pada komponen yang bergerak.
- g. **Jika disediakan perangkat untuk sambungan fasilitas pengeluaran dan pengumpulan debu, pastikan**

perangkat ini dihubungkan dan digunakan dengan sesuai. Penggunaan alat pengumpul debu dapat mengurangi bahaya yang ditimbulkan oleh debu.

- h. **Jangan biarkan karena keseringan menggunakan alat membuat Anda berpuas diri dan mengabaikan prinsip keselamatan alat.** Tindakan ceroboh dapat menyebabkan cedera parah dalam hitungan sepersekian detik.
4. **Penggunaan dan pemeliharaan perkakas listrik**
 - a. **Jangan menggunakan perkakas listrik dengan sembarang. Gunakan perkakas listrik yang sesuai untuk aplikasi Anda.** Perkakas listrik yang tepat akan bekerja lebih baik dan aman pada tingkatan kerja yang telah dirancang untuk alat itu.
 - b. **Jangan gunakan perkakas listrik ini jika tombol tidak dapat menghidupkan dan mematikan alat.** Perkakas listrik apa pun yang tidak dapat dikendalikan dengan tombol adalah berbahaya dan harus diperbaiki.
 - c. **Lepaskan stopkontak dari sumber listrik dan/atau baterai dari perkakas listrik sebelum melakukan penyetelan apa pun, mengganti aksesoris, atau menyimpan perkakas listrik.** Tindakan pencegahan untuk keselamatan seperti itu akan mengurangi risiko menyalakan perkakas listrik secara tidak disengaja.
 - d. **Simpan perkakas listrik yang tidak digunakan jauh dari jangkauan anak-anak, dan jangan membolehkan orang yang tidak memahami perkakas listrik atau petunjuk ini untuk mengoperasikannya.** Perkakas listrik dapat berbahaya bila digunakan oleh pengguna yang tidak terlatih.
 - e. **Rawat perkakas listrik.** Lakukan pemeriksaan untuk mengetahui apakah ada komponen bergerak yang tidak sejajar atau bengkok, komponen yang patah, dan kondisi lainnya yang dapat memengaruhi pengoperasian perkakas listrik. Jika rusak, perbaiki perkakas listrik sebelum digunakan. Banyak terjadi kecelakaan akibat perkakas listrik yang tidak terawat dengan baik.
 - f. **Jaga ketajaman dan kebersihan alat pemotong.** Alat pemotong yang terawat dengan baik dengan mata potong yang tajam akan kecil kemungkinannya untuk macet serta lebih mudah untuk dikendalikan.
 - g. **Gunakan perkakas listrik, aksesoris, dan mata bor, dsb., sesuai petunjuk ini, dengan memperhitungkan persyaratan kerja dan jenis pekerjaan yang harus dilakukan.** Penggunaan perkakas listrik untuk pengoperasian yang tidak sesuai dengan tujuan penggunaan dapat mengakibatkan situasi yang berbahaya.
 - h. **Jaga agar pegangan dan permukaan pegangan tetap kering, bersih, dan bebas dari minyak dan lemak.** Pegangan dan permukaan pegangan yang licin

tidak memungkinkan untuk melakukan penanganan dan pengendalian alat dengan aman saat dalam situasi tak terduga..

5. **Penggunaan dan pemeliharaan perkakas bertenaga baterai**
 - a. **Isi ulang daya hanya menggunakan pengisi daya yang ditentukan oleh pabrikan.** Pengisi daya yang cocok untuk satu tipe baterai dapat menimbulkan risiko kebakaran jika digunakan pada baterai lainnya.
 - b. **Gunakan perkakas hanya dengan baterai yang ditujukan secara khusus.** Penggunaan baterai lainnya dapat menimbulkan risiko cedera dan kebakaran.
 - c. **Pada saat baterai tidak digunakan, jauhkan baterai dari benda logam seperti klip penjepit kertas, koin, kunci, unitu, sekrup, atau benda logam kecil lainnya yang dapat membuat hubungan dari satu terminal dengan terminal lainnya.** Menghubungkan kedua terminal baterai dengan kabel secara tidak semestinya dapat mengakibatkan luka bakar atau kebakaran.
 - d. **Pemakaian yang salah bisa menyebabkan kealuarnya cairan dari baterai; hindari kontak.** Jika tidak sengaja tersentuh, bilas dengan air. Jika cairan mengenai mata, carilah juga bantuan medis. Cairan yang keluar dari baterai dapat menyebabkan iritasi atau luka bakar.
 - e. **Jangan gunakan baterai atau alat yang rusak atau telah dimodifikasi.** Baterai yang rusak atau telah dimodifikasi dapat menunjukkan sifat yang tidak dapat diprediksi yang dapat mengakibatkan kebakaran, ledakan atau risiko cedera.
 - f. **Jangan dekatkan baterai atau perkakas ke api atau suhu berlebihan.** Paparan pada api atau suhu di atas 130 °C dapat menyebabkan ledakan.
 - g. **Ikuti semua petunjuk pengisian daya dan jangan isi baterai atau perkakas di luar rentang suhu yang ditetapkan dalam petunjuk.** Mengisi daya tidak semestinya atau pada suhu di luar rentang yang ditetapkan dapat merusak baterai dan meningkatkan risiko kebakaran.
6. **Servis**
 - a. **Perkakas listrik sebaiknya diservis oleh teknisi yang berkualifikasi dan hanya menggunakan komponen pengganti yang persis sama.** Hal ini akan membuat keamanan perkakas listrik selalu terjaga.
 - b. **Jangan pernah melakukan servis baterai yang rusak.** Servis baterai hanya dapat dilakukan oleh produsen atau penyedia layanan resmi.

Peringatan keamanan tambahan untuk pemasangan baut

- **Pegang perkakas listrik pada permukaan pegangan berinsulasi saat melakukan tindakan karena aksesoris pemotong dapat mengenai kabel yang tersembunyi**

atau kabelnya sendiri. Aksesori pemotong yang bersentuhan dengan kabel bertegangan listrik dapat mengalirkan arus listrik pada komponen logam perkakas listrik dan mengakibatkan sengatan listrik pada pengguna.

- **Pakai alat pelindung telinga saat mengebor tembok. Paparan pada bising bisa menyebabkan kehilangan pendengaran.**
- **Gunakan pegangan bantu yang disediakan bersama alat.** Kehilangan kendali bisa menyebabkan cedera pada diri.
- **Gunakan jepitan atau cara praktis lain untuk mengamankan dan menyangga benda kerja pada landasan yang stabil.** Memegang benda dengan tangan atau disandarkan pada tubuh Anda akan membuatnya tidak stabil dan dapat mengakibatkan hilangnya kendali.
- **Sebelum mengebor tembok, lantai, atau langit-langit, periksa dulu penempatan kabel dan pipa.**
- **Tujuan penggunaan dijelaskan dalam buku petunjuk ini.**
- **Menggunakan aksesori atau peralatan tambahan, maupun mengoperasikan perkakas ini dengan cara yang tidak sesuai dengan yang disarankan dalam panduan pengguna ini dapat menimbulkan risiko cedera tubuh dan/atau kerusakan benda-benda milik pribadi.**

1) Petunjuk Keselamatan untuk Semua Operasi

- a. **Pakai alat pelindung telinga saat mengebor tembok.** Paparan pada bising bisa menyebabkan kehilangan pendengaran.
- b. **Sokong alat dengan benar sebelum digunakan.** Alat ini menghasilkan gaya putaran yang tinggi dan bila alat tidak disokong dengan benar selama pemakaian, bisa terjadi kehilangan kendali yang mengakibatkan cedera pada diri.
- c. **Pegang perkakas listrik pada permukaan pegangan berpenyekat saat melakukan pengoperasian di mana aksesori pemotong dapat bersentuhan dengan kabel tersembunyi.** Aksesori pemotong yang bersentuhan dengan kabel bertegangan listrik dapat mengalirkan arus listrik pada komponen logam perkakas listrik dan mengakibatkan sengatan listrik pada pengguna.

2) Instruksi keamanan saat menggunakan mata bor panjang

- a. **Jangan pernah mengoperasikan alat pada kecepatan yang lebih tinggi dari tingkat kecepatan maksimal dari mata bor.** Pada kecepatan yang lebih tinggi, mata bor bisa membengkok bila dibuat berotasi dengan bebas tanpa berkontak dengan benda kerja, yang mengakibatkan cedera pada diri.
- b. **Selalu mulai mengebor pada kecepatan rendah dan dengan ujung mata bor berkontak langsung dengan benda kerja.** Pada kecepatan yang lebih tinggi, mata bor bisa membengkok bila dibuat berotasi dengan bebas

tanpa berkontak dengan benda kerja, yang mengakibatkan cedera pada diri.

- c. **Berikan tekanan hanya langsung sejalan dengan mata bor dan jangan berikan tekanan yang berlebihan.** Mata bor bisa membengkok yang menyebabkan kerusakan atau kehilangan kendali, yang mengakibatkan cedera pada diri.

Keselamatan orang lain

- Peralatan ini tidak ditujukan untuk pengguna (termasuk anak-anak) yang menderita kekurangan kemampuan fisik, sensorik, atau mental, atau kurang pengalaman dan pengetahuan, kecuali mereka diawasi atau diarahkan dalam penggunaan peralatan ini oleh pihak-pihak yang bertanggung jawab atas keselamatan mereka.
- Anak-anak harus diawasi agar mereka tidak bermain-main dengan peralatan ini.





Risiko-risiko lain

Risiko-risiko lain dapat timbul saat menggunakan alat, yang mungkin tidak tercantum dalam peringatan keselamatan yang disertakan. Risiko-risiko ini dapat diakibatkan oleh penyalahgunaan, penggunaan yang terlalu lama, dsb. Sekalipun peraturan keselamatan terkait sudah diterapkan dan peralatan pengaman sudah digunakan, risiko residual tertentu tidak dapat dihindari. Ini meliputi:

- Cedera yang diakibatkan karena menyentuh komponen apa pun yang berputar/bergerak.
- Cedera yang terjadi saat mengganti komponen, pemotong, atau aksesori.
- Cedera yang diakibatkan karena penggunaan alat untuk waktu lama. Jika menggunakan alat apa pun untuk waktu yang lama, pastikan Anda mengistirahatkannya secara berkala.
- Kerusakan indra pendengaran.
- Bahaya kesehatan yang disebabkan oleh menghirup debu yang ditimbulkan oleh penggunaan alat (contoh: mengampelas kayu, khususnya kayu oak, beech, dan MDF)

Label pada alat

Label pada alat Anda dapat memuat simbol-simbol berikut ini.

	PERINGATAN! Untuk mengurangi risiko cedera, pengguna harus membaca buku petunjuk sebelum digunakan.
	Kenakan kacamata pengaman atau pelindung.
	Gunakan pelindung telinga.
	Kenakanlah masker debu.

V	Voltase		Arus Langsung (DC)
A	Ampere	n_0	Kecepatan nominal
Hz	Hertz		Konstruksi Kelas II
W	Watts		Terminal Arde (Pentanahan)
min	menit		Simbol Waspada Keselamatan
	Arus Bolak-Balik (AC)	/min.	Putaran atau putaran bolak-balik per menit

Posisi kode tanggal

Kode Tanggal, yang juga mencantumkan tahun produksi, dicetak pada kerangka alat.

Contoh:

2023 XX JN
Tahun pembuatan

Petunjuk keselamatan tambahan untuk baterai dan pengisi daya

Baterai

- Jangan pernah membuka baterai dengan maksud apa pun.
- Jangan biarkan baterai terkena air.
- Jangan simpan di lokasi yang suhunya melebihi 40 °C.
- Lakukan pengisian daya hanya pada suhu lingkungan antara 10 °C hingga 40 °C.
- Hanya mengisi daya menggunakan alat pengisi daya yang disediakan bersama alat.
- Saat membuang baterai, ikuti petunjuk yang diberikan dalam bagian "Melindungi Lingkungan".

Pengisi daya

- Gunakan pengisi daya STanley FATMAX hanya untuk mengisi daya baterai dalam peralatan/alat yang diberikan bersama pengisi daya. Baterai lain dapat meledak, mengakibatkan cedera badan dan kerusakan
- Jangan coba mengisi daya baterai yang tidak dapat diisi ulang.
- Segera ganti kabel yang rusak.
- Jauhkan pengisi daya dari air.
- Jangan buka pengisi daya.
- Jangan tusuk pengisi daya.



Pengisi daya ini hanya ditujukan untuk penggunaan di dalam ruangan.



Bacalah buku petunjuk sebelum menggunakan.



Jangan pernah mengisi ulang daya baterai rusak.

Keselamatan kelistrikan



Pengisi daya Anda diisolasi secara ganda; karenanya tidak memerlukan kawat tanah. Selalu pastikan bahwa tegangan daya sesuai dengan tegangan pada pelat nilai arus. Jangan coba mengganti unit pengisi daya dengan konektor daya biasa

- Kabel daya yang rusak harus diganti oleh produsen atau Pusat Layanan resmi FatMax Service untuk menghindari bahaya.



Peringatan! Jangan pernah mencoba mengganti unit pengisi daya dengan steker utama biasa.

Fitur-fitur

Alat ini meliputi beberapa atau semua fitur-fitur berikut.

1. Saklar on/off
2. Tombol bolak-balik
3. Alat Penyesuaian Torsi
4. Pemilih Roda Gigi Rentang Ganda
5. Kepala Bor Tanpa Kunci
6. Baterai
7. Tombol Pelepasan Baterai
8. Lampu kerja LED

Gunakan



Peringatan! Biarkan alat bekerja dalam kecepatannya sendiri. Jangan berikan muatan berlebih.

Mengisi daya baterai (Gbr. A)

Daya baterai perlu diisi sebelum digunakan pertama kalinya dan kapanpun saat alat gagal menghasilkan daya yang cukup untuk pekerjaan yang dengan mudah dilakukan sebelumnya. Baterai bisa menjadi hangat saat pengisian daya; hal ini normal dan tidak menandakan adanya masalah.



Peringatan! Jangan mengisi daya baterai pada suhu ruangan di bawah 10°C atau diatas 40°C. Suhu pengisian daya yang direkomendasikan: sekitar 24°C.

Catatan: Pengisi daya tidak akan mengisi daya baterai bila suhu sel di bawah kurang lebih 10°C atau di atas 40°C.

Baterai harus ditinggalkan dalam pengisi daya dan pengisi daya akan mulai mengisi secara otomatis saat suhu sel mulai menghangat atau mendingin.

Catatan: Untuk memastikan performa maksimal dan masa hidup unit baterai litium-ion, isi daya unit baterai sampai penuh sebelum penggunaan pertama.

- Masukkan kabel pengisi daya (9) ke dalam outlet soket yang sesuai sebelum memasukkan unit baterai (6).
- Cahaya pengisian daya hijau (9a) akan berkedip terus-menerus yang menandakan bahwa proses pengisian daya sudah dimulai.

- Penyelesaian pengisian daya akan ditandai dengan lampu hijau pengisian daya (9a) yang terus MENYALA tanpa henti. Daya unit baterai (6) sudah terisi penuh dan bisa dilepaskan serta digunakan saat ini atau ditinggalkan dalam pengisi daya (9).
- Isi daya baterai yang habis dalam 1 minggu. Masa hidup baterai akan sangat berkurang bila disimpan dalam keadaan daya yang habis.

Mode LED Pengisi daya

Indikator untuk semua pengisi daya kecuali SC120

	pengisian Daya	— — — — —	
	Daya terisi penuh	—————	
	keterangan status battery Panas/Dingin	— — — ———	

Hanya Indikator Pengisi Daya SC120

	pengisian Daya	— — — — —	
	Daya terisi penuh	—————	
	keterangan status battery Panas/Dingin	— — — ———	

Catatan: Pengisi daya yang sesuai tidak akan mengisi daya unit baterai yang rusak. Pengisi daya akan menandakan bahwa unit baterai rusak dengan tidak menyalakan lampu.

Catatan: Hal ini juga bisa menandakan adanya masalah dengan pengisi daya. Bila pengisi daya memberi tanda adanya masalah, ambil pengisi daya dan unit baterai untuk diperiksa pada pusat layanan resmi.

Tinggalkan baterai dalam pengisi daya

Pengisi daya dan unit baterai bisa ditinggalkan terhubung dengan LED yang menyala terang tanpa batas waktu. Pengisi daya akan menjaga unit baterai tetap baru dengan daya terisi penuh. Perangkat ini hanya dimaksudkan untuk penggunaan pribadi, professional dan non-profesional

Pengaturan Unit Panas/Dingin

Saat pengisi daya menemukan bahwa baterai terlalu panas atau terlalu dingin, alat akan secara otomatis menyalakan Pengaturan Unit Panas/Dingin, LED hijau (9a) akan berkedip secara berulang kali, sembari LED merah (9b) akan menyala terus-menerus, menunda pengisian daya sampai baterai sudah mencapai suhu yang sesuai. Pengisi daya akan secara otomatis berganti mode menjadi mode pengisian unit. Fitur ini memastikan agar masa hidup baterai maksimal.

Indikator keadaan pengisian daya baterai (Gbr. B)

Baterai memiliki indikator keadaan pengisian daya untuk menentukan dengan cepat lamanya masa hidup baterai seperti yang diperlihatkan gambar B. Dengan menekan tombol keadaan pengisian daya (6a) anda bisa melihat

dengan mudah sisa pengisian daya seperti yang diilustrasikan gambar B.

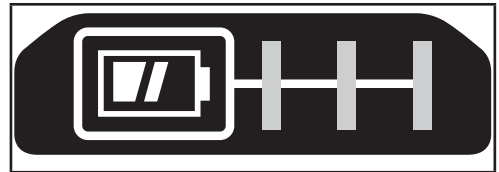
Pemasangan di dinding

Beberapa pengisi daya STANLEY FATMAX dirancang agar dapat dipasang di dinding atau diletakkan tegak di atas meja atau permukaan kerja. Jika dipasang di dinding, cari pengisi daya dalam jangkauan stopkontak listrik, dan jauh dari sudut atau penghalang lain yang dapat menghambat aliran udara. Gunakan bagian belakang.

Bentuk pengisi daya (Charger) sudah tersedia untuk lokasi sekrup pemasangan di dinding. Pasang pengisi daya dengan aman menggunakan sekrup drywall (dibeli terpisah) minimal dengan panjang 1" (25,4mm), dengan kepala sekrup diameter 0.28–0.35" (7–9 mm), disekrupkan ke kayu hingga kedalaman optimal menyisakan sekitar 7/32" (5,5 mm) sekrup terbuka. Sejajarkan slot di bagian belakang pengisi daya dengan sekrup yang terbuka dan pasang sepenuhnya di slot.

Catatan : Jangan mencoba memasang pengisi daya SC120 di bawah bangku atau meja

Catatan : Hanya pasang pengisi daya SC120 dengan lampu pengisi daya mengarah ke atas ke langit-langit (menghadap atas).



Memasang dan Melepaskan Unit Baterai dari alat



Peringatan! Pastikan tombol pengunci sudah terkunci untuk mencegah aktuasi saklar sebelum melepas atau memasang baterai.

Untuk memasang unit baterai (Gbr. C)

- Masukkan unit baterai dengan kuat ke dalam alat sampai terdengar bunyi klik yang diperlihatkan gambar C. Pastikan unit baterai terduduk sepenuhnya dan terkunci seluruhnya ke dalam posisi.

Untuk melepas unit baterai (Gbr. D)

- Tekan tombol pelepas baterai (7) seperti yang diperlihatkan gambar D dan tarik unit baterai keluar alat.

Sabuk pengait (Tambahkan aksesoris) (Gbr. E, F)



Peringatan! Untuk mengurangi risiko terjadinya cedera serius pada diri, tempatkan tombol maju/mundur dalam posisi terkunci atau matikan alat dan putuskan koneksi unit baterai sebelum membuat perubahan apapun atau sebelum melepas/memasang alat atau aksesoris tambahan. Penyalaan alat yang tidak disengaja bisa menyebabkan cedera.



Peringatan! Untuk mengurangi risiko terjadinya cedera serius pada diri, HANYA gunakan kait sabuk alat (10) untuk menggantung alat dari sabuk kerja. JANGAN gunakan kait sabuk (10) untuk mengamankan atau menautkan alat pada seseorang atau benda apapun selama penggunaan. JANGAN menggantung alat di atas atau menggantung benda dari kait sabuk.



Peringatan! Untuk mengurangi risiko terjadinya cedera serius pada diri, pastikan baut (11) yang menahan kait sabuk sudah kencang.

Catatan: Saat memasang atau mengganti kait sabuk (10), hanya gunakan baut (11) yang sudah disediakan. Pastikan untuk mengencangkan baut dengan ketat.

Kait sabuk mesin (10) bisa dipasang dengan digeser pada kedua sisi alat. Hanya gunakan baut (11) yang disediakan untuk mengakomodir pengguna kidal atau bertangan kanan. Bila anda tidak menginginkan untuk memakai kait sama sekali, kait bisa dilepas dari alat.

Untuk menggerakkan kait sabuk, lepaskan baut (11) yang menahan kait sabuk (10) pada tempatnya lalu susun ulang pada sisi yang berlawanan. Pastikan untuk mengencangkan baut dengan ketat (11).

Catatan: Tersedia beragam kait gantungan dinding dan susunan ruang penyimpanan.

Mohon kunjungi situs kami www.stanley.eu/3 untuk informasi lebih lanjut.

Kepala Bor Tanpa Kunci (Gbr. G)



Peringatan! Lepaskan pak baterai tertentu untuk mencegah aktuasi alat sebelum pemasangan atau pelepasan aksesoris.

Untuk memasukkan sebuah mata bor atau aksesoris lainnya:

- Genggam kepala bor (5) dan putar dalam arah yang berlawanan jarum jam, yang bisa dilihat dari ujung kepala bor.
- Masukkan mata bor atau aksesoris lainnya (13) sampai penuh ke dalam kepala bor dan kencangkan dengan aman dengan memutar kepala bor searah jarum jam yang bisa dilihat dari ujung kepala bor.



Peringatan! Jangan mencoba untuk mengencangkan atau melonggarkan mata bor (atau aksesoris lain apapun) dengan menggenggam bagian depan kepala bor dan menyalaikan alatnya.

Kerusakan pada kepala bor dan cedera pribadi bisa terjadi saat mengganti aksesoris.

Saklar pemicu & tombol bolak/balik (Gbr. H)

- Bor DINYALAKAN dan DIMATIKAN dengan menarik dan melepaskan saklar pemicu (1) yang diperlihatkan pada Gambar H. Semakin jauh saklar turun, semakin tinggi kecepatan bor.
- Tombol kendali bolak/balik (2) menentukan arah putaran alat dan juga sebagai tombol kunci.
- Untuk memilih rotasi maju, lepaskan saklar pemicu dan tekan tombol kendali bolak/balik pada sisi kanan alat.
- Untuk memilih terbalik, tekan tombol kendali bolak/balik pada sisi kiri alat.
- Posisi pusat dari tombol kendali mengunci alat pada posisi mati. Saat mengubah posisi tombol kendali, pastikan trigger dilepaskan.

Menyesuaikan kontrol torsi (Gbr. I)

Alat ini diselaraskan dengan alat penyesuaian torsi (3) untuk memilih mode operasional dan untuk mengatur torsi dalam mengencangkan baut. Baut besar dan bahan-bahan alat kerja yang keras memerlukan pengaturan torsi yang lebih tinggi dibandingkan dengan baut kecil dan bahan alat kerja yang lunak.

- Untuk mengebor kayu, logam dan plastik, atur collar (3) ke simbol posisi pengeboran.
- Untuk mengebor bata ringan, atur collar (3) pada posisi pengeboran beton.
- Untuk pemasangan baut, atur collar pada pengaturan yang diinginkan. Bila anda masih belum tahu pengaturan yang sesuai, ikuti langkah berikut ini:
 - Atur pengaturan collar pada torsi terendah.
 - Kencangkan baut pertama.
 - Bila kepala bor hanya bisa diputar searah sebelum mendapatkan hasil yang diinginkan, tingkatkan pengaturan collar dan lanjut kencangkan baut.
 - Ulangi sampai anda mencapai pengaturan yang tepat.
 - Gunakan pengaturan ini pada baut-baut yang tersisa.

Saklar rentang ganda (Gbr. J)

Fitur rentang ganda pada bor anda membuat anda bisa berganti roda gigi untuk fleksibilitas alat yang lebih banyak.

- Untuk pengaturan torsi tinggi, berkecepatan rendah (posisi 1), matikan alat dan biarkan alat berhenti. Geser tombol pengubah roda gigi (4) menjauhi kepala bor.

- Untuk memilih pengaturan torsi rendah, berkecepatan tinggi (posisi 2), matikan alat dan biarkan alat berhenti. Geser tombol pengubah roda gigi kembali kearah kepala bor.

Catatan: Jangan mengubah roda gigi saat alat sedang berjalan. Bila anda mengalami masalah mengganti roda gigi, pastikan tombol roda gigi rentang ganda terdorong maju seluruhnya atau terdorong ke belakang seluruhnya.

Pemasangan baut

- Untuk mengencangkan bor, tombol bolak/balik harus didorong ke kiri.
- Gunakan pemalik arah (tombol yang didorong ke kanan) untuk melepas pengunci.

Catatan: Saat bergerak dari depan ke belakang, atau sebaliknya, selalu lepas saklar pemicu terlebih dahulu.

Pengeboran

- Hanya gunakan mata bor yang tajam.
- Dukung dan amankan pekerjaan dengan tepat, sesuai yang diarahkan dalam Instruksi Keamanan.
- Gunakan alat keamanan yang tepat dan diperlukan, sesuai yang diarahkan dalam Instruksi Keamanan.
- Amankan dan jaga area kerja, sesuai yang diarahkan dalam Instruksi Keamanan.
- Jalankan bor secara perlahan sekali, hanya menggunakan tekanan yang ringan, sampai lubang mulai terbentuk untuk menjaga mata bor tidak tergelincir keluar.
- Berikan tekanan dalam garis lurus dengan mata bor. Gunakan tekanan yang cukup untuk menjaga tusukan mata bor tetapi tidak sebanyak sampai memperlambat motor atau memblokirkan mata bor.
- Tahan bor dengan kuat menggunakan kedua tangan, satu tangan pada gagang, dan tangan lainnya memegang bagian bawah sekitar baterai atau gagang bantu bila disediakan.
- **JANGAN KLIK TRIGGER DARI BOR MACET DENGAN MEMATIKAN DAN MENYALAKAN SEBAGAI USAHA MEMULAI BOR LAGI. BISA MENYABABKAN KERUSAKAN BOR.**
- Minimalisir kemacetan alat pada penerobosan dengan mengurangi tekanan dan mengebor secara perlahan melewati bagian ujung lubang.
- Jaga agar motor berjalan selama menarik mata bor keluar dari lubang. Hal ini akan membantu mengurangi terjadinya kemacetan.
- Pastikan tombol bisa menyalakan dan mematikan bor.

Mengebor kayu

Lubang dalam kayu bisa dibuat dengan mata bor putar yang sama yang digunakan pada logam atau dengan mata bor sekop. Mata bor ini harus tajam dan harus ditarik secara teratur saat mengebor untuk membersihkan serpihan dari galur bor.

Mengebor logam

Gunakan pelumas pemotongan saat mengebor logam. Pengecualiannya adalah besi cor dan kuningan yang harus dibor saat kering. Pelumas pemotongan yang bekerja paling baik adalah cairan minyak pemotongan belerang.

Mengebor bata

Untuk mengebor bata, atur collar (3) pada posisi pengeboran beton dengan mensejajarkan simbol pada tanda. Gunakan mata bor bata dengan ujung karbit. Jaga agar tekanan rata pada bor. Arus yang sama rata dan lancar dari abu menandakan laju pengeboran yang tepat.

Lampu kerja LED (Gbr. H)

Saat bor diaktivasi dengan menarik saklar pemicu (1), lampu kerja LED yang terintegrasi (8) akan menerangi area kerja secara otomatis.

Catatan: Lampu kerja berfungsi untuk penerangan permukaan kerja segera dan tidak diperuntukkan penggunaannya sebagai senter.

Pemecahan masalah

Masalah	Penyebab yang mungkin	Solusi yang mungkin
Unit tidak akan menyala	Pak baterai tidak dipasang dengan tepat.	Periksa pemasangan pak baterai.
	Pak baterai tidak diisi daya.	Periksa persyaratan pengisian daya pak baterai.
Unit langsung menyala saat memasukkan baterai	Saklar ditinggalkan pada posisi "on".	Saklar harus diubah ke posisi "off" untuk mencegah alat langsung menyala saat baterai dimasukkan.
Pak baterai tidak akan mengisi daya.	Pak baterai tidak dimasukkan ke dalam pengisi daya.	Masukkan pak baterai ke dalam pengisi daya sampai LED menyala.
	Pengisi daya tidak terpasang.	Colokkan pengisi daya ke dalam soket listrik.
	Suhu udara disekitar ruangan terlalu panas atau terlalu dingin.	Pindahkan pengisi daya dan pak baterai pada suhu udara ruangan di atas 45° C atau dibawah +40.5° C.
Unit mati mendadak	Pak baterai sudah mencapai batas suhu maksimalnya.	Biarkan pak baterai untuk mendingin.
	Kehabisan daya. (Untuk memaksimalkan daya hidup pak baterai, alat didesain untuk mati mendadak saat daya habis)	Letakkan pada pengisi daya dan biarkan untuk mengisi daya.

Pemeliharaan

Perkakas listrik STANLEY telah dirancang untuk penggunaan jangka panjang dengan pemeliharaan minimal. Pengoperasian yang memuaskan secara terus-menerus

bergantung pada cara pemeliharaan yang benar dan pembersihan alat secara teratur.

Pengisi daya anda tidak memerlukan pemeliharaan apapun selain pembersihan alat secara teratur.



Peringatan! Sebelum melakukan pemeliharaan apapun pada alat, lepaskan baterai dari alat. Cabut pengisi daya sebelum membersihkan alat.

- Bersihkan lubang angin di perangkat Anda secara teratur menggunakan sikat lembut atau kain kering.
- Bersihkan kerangka motor secara teratur dengan menggunakan kain bersih yang lembap.
- Jangan gunakan bahan pembersih abrasif atau pembersih berbahan dasar larutan apa pun.

Melindungi lingkungan



Pembuangan terpisah. Produk dan baterai yang ditandai dengan simbol ini tidak boleh dibuang bersama dengan sampah rumah tangga biasa.

Produk dan baterai berisi bahan yang dapat digunakan kembali atau didaur ulang yang mengurangi permintaan kebutuhan bahan baku. Harap mendaur ulang produk listrik dan baterai sesuai dengan ketentuan setempat. Informasi selengkapnya tersedia di www.2helpU.com

Data teknis

		SCD711	
Voltase	V_{DC}	18V (20V MAX)	
Kecepatan tanpa beban	Min^{-1}	0-400/0-1500	
Torsi maksimal	Nm	50	
Kapasitas kepala bor	mm	13	
Kapasitas Pengeboran Maksimal			
Baja/kayu/bata	mm	13/35/13	
Berat	kg	1.2	

Pengisi daya		SC125	SC200	SC400 SC401	SC120
Voltase Input	V_{AC}	220-240	220-240	220-240	220-240
Tegangan keluaran	V_{DC}	18V (20V MAX)	18V (20V MAX)	18V (20V MAX)	18V (20V MAX)
Arus	A	1.25	2	4	1.25

Baterai		SB201	SB202	SB204	SB206
Voltase	V_{DC}	18V (20V MAX)	18V (20V MAX)	18V (20V MAX)	18V (20V MAX)
Kapasitas	Ah	1.5	2.0	4.0	6.0
Tipe		Li-Ion	Li-Ion	Li-Ion	Li-Ion

INFORMASI LAYANAN

STANLEY FATMAX menawarkan sebuah jaringan penuh milik perusahaan dan berada di tempat layanan resmi. Semua Pusat Layanan STANLEY FATMAX diisi oleh petugas terlatih untuk memberikan

Layanan perkakas listrik yang efisien dan bisa diandalkan pada pelanggan. Untuk informasi lebih lanjut mengenai pusat layanan resmi kami dan bila anda memerlukan saran teknis, perbaikan atau penggantian bagian alat asli dari pabrik, hubungi lokasi STANLEY FATMAX terdekat anda atau kunjungi kami pada www.stanleytools.com.

วัตถุประสงค์ในการใช้งาน

ส่วนเจาะกระแทกรุ่น SCD711 ของ STANLEY FATMAX ของคุณได้รับการออกแบบมาสำหรับการใช้งานเป็น ไขควงและเจาะไม้ โลหะ พลาสติกและอัลู อปรกรณนี้ เหมาะสำหรับการใช้งานแบบมืออาชีพรองและส่วนบุคคลและ สำหรับผู้ใช้ที่ไม่ได้เป็นมืออาชีพ

ข้อปฏิบัติเพื่อความปลอดภัย

คำเตือนเพื่อความปลอดภัยสำหรับเครื่องมือ ไฟฟ้าทั่วไป



คำเตือน: อ่านคำเตือน ข้อปฏิบัติเพื่อ ความปลอดภัยทั้งหมด รวมทั้งภาพ ประกอบและข้อมูลที่มาพร้อมกับเครื่องมือ ไฟฟ้านี้ การไม่ปฏิบัติตามคำเตือนและข้อ ปฏิบัติเหล่านี้ อาจทำให้เกิดไฟฟ้าช็อต เกิด อัคคีภัย และ/หรือบาดเจ็บสาหัสได้

จัดเก็บเอกสารคำเตือนและคำแนะนำทั้งหมดไว้เพื่อ การอ้างอิงในภายหลัง

คำว่า "เครื่องมือไฟฟ้า" ในคำเตือน หมายถึง เครื่องมือ ไฟฟ้า (แบบมีสาย) ที่ทำงานผ่านแหล่งจ่ายไฟหลัก หรือ เครื่องมือไฟฟ้า (แบบไร้สาย) ที่ทำงานผ่านแบตเตอรี่

1. ความปลอดภัยในบริเวณที่ทำงาน

- รักษาความสะอาดและจัดให้มีแสงสว่างเพียงพอ ในบริเวณที่ทำงาน บริเวณที่มีดหรือมีช่องว่างระยะ ระยะเวลาทำให้เกิดอุบัติเหตุได้
- ห้ามใช้เครื่องมือไฟฟ้าในบริเวณที่อาจเกิดการ ระเบิด เช่น ในสถานที่ที่มีของเหลว แก๊ส หรือฝุ่น ละอองที่มีคุณสมบัติไวไฟ เครื่องมือไฟฟ้าจะทำให้ เกิดประกายไฟที่อาจทำให้เครื่องละลายไฟหรือเปลวไฟ ขึ้นได้
- ระวังไม่ให้เด็กและคนเดินผ่านไปมาเข้าใกล้ใน ขณะทำงานเครื่องมือไฟฟ้า สิ่งรบกวนอาจทำให้ คุณเสียสมาธิได้

2. ความปลอดภัยทางไฟฟ้า

- ปลั๊กไฟของเครื่องต้องเป็นชนิดเดียวกับตัวรับ ห้ามดัดแปลงปลั๊กไม่ว่าด้วยวิธีใด ห้ามใช้ปลั๊ก อะแดปเตอร์ใดๆ กับเครื่องมือไฟฟ้าที่ต่อสายดิน (ลงกราวด์) ปลั๊กที่ไม่มีการดัดแปลงและตัวรับชนิด เดียวกันจะช่วยลดความเสี่ยงจากการเกิดไฟฟ้าช็อต
- หลีกเลี่ยงการสัมผัสพื้นผิวที่ต่อสายดินหรือลง กราวด์ เช่น ท่อ หม้อน้ำ เตาหุงต้ม และตู้เย็น มีความเสี่ยงเพิ่มขึ้นที่จะเกิดไฟฟ้าช็อตหากร่างกาย เป็นสื่อเชื่อมต่อดังดินหรือลงกราวด์
- อย่าให้เครื่องมือไฟฟ้าถูกฝนหรืออยู่ในสภาพที่ เปียกชื้น น้ำที่เข้าเครื่องมือไฟฟ้าจะเพิ่มความเสี่ยง ในการเกิดไฟฟ้าช็อต

- ห้ามใช้สายไฟผิดวัตถุประสงค์ ห้ามใช้สายไฟ เพื่อการหิ้ว ดึง หรือถอดปลั๊กเครื่องมือไฟฟ้า เก็บสายไฟให้พ้นจากความร้อน น้ำมัน ของมีคม หรือ ชิ้นส่วนที่กำลังเคลื่อนที่ สายไฟที่ชำรุดหรือ พันกันเป็นการเพิ่มความเสี่ยงจากการถูกไฟฟ้าช็อต
- เมื่อใช้เครื่องมือไฟฟ้านอกอาคาร ให้ใช้สายต่อ พ่วงที่เหมาะสมสำหรับการใช้งานนอกอาคาร ใช้ สายไฟที่เหมาะสมสำหรับใช้นอกอาคารจะช่วยลดความ เสี่ยงต่อการเกิดไฟฟ้าช็อต
- หากไม่สามารถหลีกเลี่ยงการใช้เครื่องมือไฟฟ้า ในบริเวณที่ชื้นและได้ ให้ใช้อุปกรณ์ป้องกัน ไฟดูด (RCD) การใช้ RCD จะช่วยลดความ เสี่ยง ในการถูกไฟฟ้าช็อต

3. ความปลอดภัยส่วนบุคคล

- ตื่นตัวและระมัดระวังกับสิ่งที่คุณกำลังทำ รวมทั้ง ใช้สามัญสำนึกในขณะที่กำลังใช้งานเครื่องมือ ไฟฟ้า ห้ามใช้เครื่องมือไฟฟ้าในขณะที่คุณกำลัง เหนื่อยหรือได้รับอิทธิพลจากยา แอลกอฮอล์ หรือ การรักษาบางอย่าง การขาดความระมัดระวังในการ ใช้เครื่องมือไฟฟ้าแม้ชั่วขณะหนึ่งอาจทำให้บาดเจ็บ สาหัสได้
- ใช้อุปกรณ์คุ้มครองความปลอดภัยส่วนบุคคล สวมอุปกรณ์ป้องกันดวงตาเสมอ อุปกรณ์ป้องกัน เช่น หน้ากากกันฝุ่น รองเท้านิรภัยกันลื่น หมวกนิรภัย หรืออุปกรณ์ป้องกันเสียงดังที่ใช้ในสภาวะที่เหมาะสม จะช่วยลดอาการบาดเจ็บทางร่างกาย
- ป้องกันเครื่องเปิดทำงานโดยไม่ตั้งใจ สวิตช์ต้อง อยู่ในตำแหน่งปิดก่อนที่จะเสียบปลั๊กเข้ากับแหล่ง จ่ายไฟ และ/หรือ ชุดแบตเตอรี่ หรือก่อนจะยก หรือถือเครื่องมือ การยกเครื่องมือไฟฟ้าในขณะที่ นี้วอยู่สวิตช์ หรือใช้เครื่องมือไฟฟ้าที่สวิตช์เปิดอยู่ อาจทำให้เกิดอุบัติเหตุได้
- ถอดกุญแจปรับตั้งหรือประแจออกก่อนเปิดสวิตช์ เครื่องมือไฟฟ้า ประแจหรือกุญแจที่เสียบค้างอยู่ใน ชิ้นส่วนที่หมุนได้ของเครื่องมือไฟฟ้าอาจทำให้ได้รับ บาดเจ็บได้
- ห้ามยืนเขย่งเท้าขณะใช้เครื่อง ควรยืนในท่าที่ เหมาะสมและสมดุลตลอดเวลา เพื่อช่วยในการ ควบคุมเครื่องมือไฟฟ้าได้ดียิ่งขึ้นในสถานการณ์ที่ ไม่คาดคิด
- แต่งกายให้เหมาะสม ห้ามสวมเสื้อผ้าหลวมหรือ ใส่เครื่องประดับ รวบผมและเสื้อผ้าให้ห่างจาก ชิ้นส่วนที่กำลังหมุน เสื้อผ้าที่หลวมหรือยาวร่วมร่าม เครื่องประดับ หรือผมที่ยาวอาจเข้าไปพันกับชิ้นส่วน ที่กำลังหมุน
- หากมีอุปกรณ์สำหรับดูดและเก็บฝุ่น ต้องตรวจให้ แน่ใจว่าได้เชื่อมต่อและใช้งานอุปกรณ์นั้นอย่าง เหมาะสม การใช้อุปกรณ์เก็บฝุ่นจะช่วยลดอันตรายที่ เกี่ยวข้องกับฝุ่นได้

- h. ปล่อยให้ความเค้นจากการใช้งานทำให้คุณประมาทและละเลยการปฏิบัติตามหลักการเพื่อความปลอดภัย การใช้งานโดยไม่ระวังอาจทำให้เกิดการบาดเจ็บสาหัสได้ภายในเวลาเพียงเสี้ยววินาที
- 4. การใช้งานและการดูแลรักษาเครื่องมือไฟฟ้า**
- a. ห้ามฝืนใช้เครื่องมือไฟฟ้า เลือกรูปแบบใช้เครื่องมือไฟฟ้าที่ถูกต้องตรงกับลักษณะการใช้งานของคุณ เครื่องมือไฟฟ้าที่ถูกต้องย่อมทำงานได้ดีกว่าและปลอดภัยกว่า เมื่อใช้งานตามพิกัดที่เครื่องมือได้รับการออกแบบมา
- b. ห้ามใช้เครื่องมือไฟฟ้าถ้าสวิตช์เปิดปิดเครื่องไม่ทำงาน เครื่องมือไฟฟ้าที่ไม่สามารถควบคุมผ่านสวิตช์ได้ ถือว่ามีอันตรายและต้องส่งซ่อม
- c. ถอดปลั๊กของเครื่องมือไฟฟ้าออกจากแหล่งจ่ายไฟ และ/หรือหากถอดแบตเตอรี่ได้ ให้ถอดแบตเตอรี่ออกก่อนทำการปรับแต่ง เปลี่ยนอุปกรณ์เสริม หรือจัดเก็บเครื่องมือไฟฟ้า มาตรการเพื่อความปลอดภัยเชิงการป้องกันนี้จะช่วยลดความเสี่ยงในการเปิดเครื่องไฟฟ้าให้ทำงานโดยไม่ตั้งใจ
- d. เก็บเครื่องมือไฟฟ้าที่ไม่ได้ใช้งานไว้ในหิ้งมือเด็ก และไม่นิยมนำมาเล่นกับเด็กที่ไม่คุ้นเคยกับเครื่องมือไฟฟ้าหรือคำแนะนำเหล่านี้เป็นผู้ใช้เครื่องมือไฟฟ้าจะเป็นอันตรายหากอยู่ในมือผู้ใช้ที่ไม่มีความชำนาญ
- e. บำรุงรักษาเครื่องมือไฟฟ้าและอุปกรณ์เสริมต่างๆ ตรวจสอบว่าชิ้นส่วนที่เคลื่อนที่ได้มีการวางไม่ตรงแนวหรือติดขัดหรือไม่ ชิ้นส่วนที่แตกหัก และสกปรกอื่นใดที่อาจส่งผลกระทบต่อการทำงานของเครื่องมือไฟฟ้าหรือไม่ หากชำรุดเสียหาย ให้นำเครื่องมือไปส่งซ่อมก่อนนำมาใช้ อุบัติเหตุจำนวนมากเกิดจากการดูแลรักษาเครื่องมือไฟฟ้าไม่เพียงพอ
- f. เครื่องมือตัดต้องคมและสะอาดอยู่เสมอ เครื่องมือตัดที่ได้รับการดูแลรักษาอย่างถูกต้องและมีขอบตัดคม จะมีปัญหาตัดช้าตื้อและควบคุมได้ง่ายกว่า
- g. ใช้เครื่องมือไฟฟ้า อุปกรณ์เสริม และดอกสว่านของเครื่องมือ เป็นต้น ให้ตรงตามข้อปฏิบัติเหล่านี้ โดยพิจารณาถึงสภาพการทำงานและงานที่ทำเป็นสำคัญ การใช้เครื่องมือไฟฟ้าทำงานอื่นนอกเหนือจากที่กำหนดไว้อาจทำให้เกิดอันตรายได้
- h. ต้องดูแลให้มีจับและพื้นผิวที่จับนั้นแห้ง สะอาด ปราศจากน้ำมันและจาระบี มีฉนวนและผิวสัมผัสที่ลื่น อาจทำให้เกิดการใช้งานที่ไม่ปลอดภัยและทำให้ไม่สามารถควบคุมเครื่องมือในสถานการณ์คับขันได้อย่างถูกต้อง
- 5. การใช้และการดูแลรักษาแบตเตอรี่**
- a. ชาร์จแบตเตอรี่ด้วยเครื่องชาร์จที่ผู้ผลิตแนะนำเท่านั้น เครื่องชาร์จที่เหมาะสมกับแบตเตอรี่แบบหนึ่งอาจทำให้เกิดไฟไหม้ได้เมื่อนำมาใช้กับแบตเตอรี่อีกแบบหนึ่ง
- b. ใช้เครื่องมือไฟฟ้าเฉพาะกับก้อนแบตเตอรี่ที่ออกแบบมาเป็นพิเศษเท่านั้น การใช้แบตเตอรี่แบบอื่นอาจทำให้เกิดการบาดเจ็บหรือเกิดไฟไหม้ได้
- c. เมื่อไม่ใช้ก้อนแบตเตอรี่ ให้เก็บออกห่างจากรัดถ่วงอื่น ที่เป็นโลหะ เช่น คลิปหนีบกระดาษ เหรียญ กุญแจ เข็ม สกรูหรือวัตถุขนาดเล็กอื่นๆ ที่ทำจากโลหะที่อาจทำให้เกิดการเชื่อมต่องจากขั้วหนึ่งไปอีกขั้วหนึ่ง การลัดวงจรบริเวณขั้วแบตเตอรี่อาจทำให้เกิดรอยไหม้หรือไฟไหม้ได้
- d. เมื่ออยู่ภายใต้สภาวะที่ไม่เหมาะสม อาจมีของเหลวไหลออกมาจากแบตเตอรี่ ให้หลีกเลี่ยงการสัมผัสกับของเหลวนี้ หากบังเอิญสัมผัสโดยไม่ตั้งใจ ให้ล้างออกด้วยน้ำปริมาณมาก หากของเหลวกระเด็นเข้าตา ควรรีบไปพบแพทย์ ของเหลวที่ออกมาจากแบตเตอรี่อาจทำให้เกิดอาการระคายเคืองหรือรอยไหม้ได้
- e. ห้ามใช้แบตเตอรี่หรือเครื่องมือที่มีการชำรุดเสียหายหรือได้รับการดัดแปลง แบตเตอรี่ที่ชำรุดเสียหายหรือได้รับการดัดแปลงอาจทำให้เกิดเหตุการณ์ที่ไม่คาดคิด เช่น ไฟไหม้ ระเบิด หรือความเสี่ยงอันก่อให้เกิดการบาดเจ็บได้
- f. อย่าให้แบตเตอรี่หรือเครื่องมือถูกไฟไหม้หรืออยู่ในที่ที่มีอุณหภูมิสูงเกินไป หากแบตเตอรี่ถูกไฟไหม้หรืออยู่ในที่ที่มีอุณหภูมิสูงเกิน 130°C อาจทำให้เกิดการระเบิดได้
- g. ปฏิบัติตามคำแนะนำการชาร์จทุกขั้นตอนและไม่ชาร์จแบตเตอรี่หรือเครื่องมือในอุณหภูมิที่เกินจากที่กำหนดไว้ในคำแนะนำ การชาร์จที่ไม่ถูกต้องหรือในอุณหภูมิที่นอกเหนือจากที่กำหนดไว้อาจทำให้แบตเตอรี่เสียหายและเสี่ยงต่อการเกิดไฟไหม้ได้
- 6. การบริการ**
- a. ให้ช่างซ่อมที่มีความเชี่ยวชาญเป็นผู้ซ่อมเครื่องมือไฟฟ้า และใช้อะไหล่ของแท้เท่านั้น ซึ่งจะช่วยให้มั่นใจได้ว่าเครื่องมือไฟฟ้ายังมีความปลอดภัยอยู่เสมอ
- b. ห้ามซ่อมแบตเตอรี่ที่ชำรุด ควรให้ผู้ผลิตหรือผู้ให้บริการที่ผ่านการรับรองเป็นผู้ซ่อมแบตเตอรี่เท่านั้น.
- คำเตือนเพื่อความปลอดภัยเพิ่มเติมสำหรับไขควง**
- จับเครื่องมือไฟฟ้าตรงพื้นผิวส่วนที่ใช้จับซึ่งมีฉนวนป้องกันเท่านั้นเมื่อต้องใช้งานเครื่องมือในบริเวณที่อุปกรณ์เสริมสำหรับการตัด ซึ่งอาจสัมผัสทุกสายไฟที่ซ่อนอยู่ได้ อุปกรณ์เสริมสำหรับงานตัดที่สัมผัสทุกสายไฟ "ที่มีไฟฟ้า" อาจทำให้ส่วนที่เป็นโลหะของเครื่องที่ถูกสัมผัส "มีไฟฟ้า" และทำให้ผู้ใช้เครื่องมือถูกไฟฟ้าช็อตได้
 - สวมอุปกรณ์ป้องกันหูเมื่อทำการเจาะกระแทก การได้ยินเสียงดังสามารถก่อให้เกิดการสูญเสียการได้ยินได้
 - ใช้ตามจับเสริมที่จัดหาให้พร้อมกับเครื่องมือ

การสูญเสียการควบคุมสามารถก่อให้เกิดการบาดเจ็บส่วนบุคคลได้

- ใช้ตัวยึดจับชิ้นงานหรือวิธีอื่น ๆ ที่ได้ผลเพื่อยึดและหมุนชิ้นงานบนแท่นที่มั่นคง การใช้มือจับหรือให้ชิ้นงานพียงกับลำตัวจะไม่มั่นคงและอาจทำให้สูญเสียการควบคุมได้
- ก่อนเจาะผนัง พื้น หรือเพดาน ให้ตรวจตำแหน่งสายไฟและท่อน้ำ
- วัตถุประสงค์ในการใช้งานได้อธิบายไว้ในคู่มือแนะนำการใช้งานฉบับนี้
- การใช้งานอุปกรณ์เสริมหรืออุปกรณ์ต่อพ่วง หรือการใช้งานอื่นใดกับเครื่องมือนี้ นอกเหนือจากที่ได้แนะนำไว้ในคู่มือการใช้งานนี้ อาจทำให้เสี่ยงต่อการบาดเจ็บ และ/หรือความเสียหายของทรัพย์สินได้

1) ข้อปฏิบัติเพื่อความปลอดภัยสำหรับการใช้งานทุกประเภท

- สวมอุปกรณ์ป้องกันหูเมื่อทำการเจาะกระแทก การได้ยินเสียงดังสามารถก่อให้เกิดการสูญเสียการได้ยินได้
- ยึดเครื่องมืออย่างเหมาะสมก่อนที่จะใช้งาน เครื่องมือนี้จะก่อให้เกิดแรงบิดขาออกสูง หากไม่มีกรวยยึดเครื่องมืออย่างเหมาะสมในขณะที่ใช้งาน อาจเกิดการสูญเสียการควบคุมจนก่อให้เกิดการบาดเจ็บส่วนบุคคลได้
- จับเครื่องมือไฟฟ้าตรงพื้นผิวส่วนที่ใช้จับซึ่งมีฉนวนป้องกันเท่านั้นเมื่อต้องใช้งานเครื่องในบริเวณที่อุปกรณ์เสริมสำหรับการตัด ซึ่งอาจสัมผัสลูกสายไฟที่ซ่อนอยู่ได้ อุปกรณ์เสริมสำหรับงานตัดที่สัมผัสลูกสายไฟ “ที่มีไฟฟ้า” อาจทำให้ส่วนที่เป็นโลหะของเครื่องที่ถูกสัมผัส “มีไฟฟ้า” และทำให้ผู้ใช้เครื่องถูกไฟฟ้าช็อตได้

2) คำแนะนำเพื่อความปลอดภัยเมื่อใช้ดอกสว่านแบบยาว

- ห้ามใช้งานที่ความเร็วสูงกว่าความเร็วสูงสุดที่กำหนดของดอกสว่านอย่างเด็ดขาด เมื่อความเร็วสูงขึ้น ดอกกััดอาจจะบิดงอได้ง่ายหากปล่อยให้หมุนอย่างเป็นอิสระโดยไม่สัมผัสกับชิ้นงานจนก่อให้เกิดการบาดเจ็บส่วนบุคคลได้
- เริ่มต้นทำการเจาะที่ความเร็วต่ำอยู่เสมอโดยให้ปลายของดอกกััดสัมผัสกับชิ้นงาน เมื่อความเร็วสูงขึ้น ดอกกััดอาจจะบิดงอได้ง่ายหากปล่อยให้หมุนอย่างเป็นอิสระโดยไม่สัมผัสกับชิ้นงานจนก่อให้เกิดการบาดเจ็บส่วนบุคคลได้
- ใช้แรงดันในแนวตรงกับดอกกััดเท่านั้น และห้ามใช้แรงดันที่มากเกินไป ดอกกััดอาจบิดงอจนทำให้เกิดการแตกหักหรือการสูญเสียการควบคุมจนก่อให้เกิดการบาดเจ็บส่วนบุคคลได้

ความปลอดภัยของบุคคลอื่น

- เครื่องมือนี้ไม่ได้มีไว้เพื่อการใช้งานโดยบุคคล (ซึ่งรวมถึงผู้เยาว์) ที่มีความบกพร่องทางกายภาพ ทางความรู้สึก หรือความสามารถทางสมองบกพร่อง หรือบุคคลซึ่งขาดประสบการณ์และความรู้ เว้นเสียแต่ได้รับการควบคุมดูแลหรือคำแนะนำการใช้งานเครื่องมือจากผู้รับผิดชอบความปลอดภัยของบุคคลเหล่านั้น
- เด็กควรได้รับการควบคุมดูแลเพื่อให้แน่ใจว่าจะไม่เล่นเครื่องมือนี้

ความเสี่ยงอื่น ๆ ที่ยังมีอยู่

ความเสี่ยงอื่น ๆ ที่ไม่ใช่ระบุในคำเตือนเพื่อความปลอดภัยนี้ อาจเกิดขึ้นได้เมื่อใช้เครื่องมือ ความเสี่ยงเหล่านี้ อาจเกิดขึ้นจากการใช้งานอย่างไม่ถูกต้อง การใช้งานเป็นเวลานาน เป็นต้น


แม้ว่าจะปฏิบัติตามข้อกำหนดด้านความปลอดภัยที่เกี่ยวข้อง และใช้อุปกรณ์รักษาแล้ว แต่ก็ไม่สามารถหลีกเลี่ยงความเสี่ยงอื่น ๆ ที่ยังมีอยู่บางอย่างได้

ความเสี่ยงเหล่านี้ได้แก่:

- การบาดเจ็บที่เกิดจากการสัมผัสชิ้นส่วนที่หมุนหรือเคลื่อนที่
- การบาดเจ็บที่เกิดขึ้นขณะเปลี่ยนชิ้นส่วน ใบมีด หรืออุปกรณ์เสริมต่าง ๆ
- การบาดเจ็บที่เกิดจากการใช้เครื่องมือเป็นเวลานาน เมื่อใช้เครื่องมือเป็นระยะเวลานาน ต้องแน่ใจว่าคุณได้หยุดพักเป็นระยะ
- ความบกพร่องในการได้ยินเสียง
- อันตรายต่อสุขภาพที่เกิดจากการสูดดมฝุ่นจากการใช้เครื่องมือ (ตัวอย่างเช่น การทำงานกับไม้ โดยเฉพาะไม้โอ๊ค ไม้บีช และไม้ MDF)

สัญลักษณ์บนเครื่องมือ

แผนภูมิรูปภาพพร้อมรหัสวันที่ส่งต่อไปนี้จะได้รับการแสดงอยู่บนเครื่องมือ:

	คำเตือน! เพื่อลดความเสี่ยงต่อการบาดเจ็บ ผู้ใช้ต้องอ่านคู่มือการใช้งานเล่มนี้ก่อนใช้เครื่อง		
	สวมแว่นตานิรภัยหรือแว่นครอบตา		
	สวมอุปกรณ์ป้องกันเสียงดัง		
	สวมหน้ากากกันฝุ่น		
V	โวลต์	===	ไฟกระแสตรง
A	แอมแปร์	n_0	ความเร็วรอบ
Hz	เฮิร์ตซ์		โครงสร้างคลาส II

W	วัตต์		สายดิน
min	นาที		สัญลักษณ์เตือนความปลอดภัย
	ไฟกระแสสลับ	/min.	รอบการหมุนหรือรอบการทำงานต่อนาที

ตำแหน่งขอรหัสวันที่

รหัสวันที่ ซึ่งรวมถึงปีที่ผลิต จะพิมพ์อยู่บนตัวเครื่อง ตัวอย่างเช่น:

2023 XX JN
ปีที่ผลิต

ข้อปฏิบัติเพื่อความปลอดภัยเพิ่มเติมสำหรับแบตเตอรี่และที่ชาร์จ

แบตเตอรี่

- ห้ามพยายามเปิดไม่ว่าจะด้วยเหตุผลใดก็ตาม
- ห้ามให้แบตเตอรี่โดนน้ำ
- ห้ามจัดเก็บแบตเตอรี่ไว้ในที่ซึ่งอุณหภูมิอาจสูงเกิน 40°C
- ชาร์จแบตเตอรี่ที่อุณหภูมิโดยรอบระหว่าง 10°C ถึง 40°C เท่านั้น
- ชาร์จโดยใช้เฉพาะที่ชาร์จซึ่งจัดหามาให้พร้อมเครื่องมือเท่านั้น
- ในการกำจัดแบตเตอรี่ ให้ปฏิบัติตามข้อปฏิบัติซึ่งระบุไว้ในหัวข้อ "การปกป้องสิ่งแวดล้อม"

เครื่องชาร์จ

- ใช้เครื่องชาร์จ STANLEY FATMAX เพื่อชาร์จแบตเตอรี่ภายในเครื่องที่ให้มาพร้อมกันเท่านั้น การชาร์จแบตเตอรี่ชนิดอื่นๆ อาจทำให้แบตเตอรี่ระเบิดและเกิดการบาดเจ็บและความเสียหายได้
- ห้ามชาร์จ แบตเตอรี่ชนิดชาร์จซ้ำไม่ได้
- รีบเปลี่ยนสายที่ชำรุดเสียหายทันที
- อย่าให้เครื่องชาร์จสัมผัสน้ำ
- ห้ามแกะเปิดเครื่องชาร์จ
- ห้ามใช้สิ่งใดหย�เข้าไปในตัวเครื่องชาร์จ



ฐานเครื่องชาร์จนี้มีวัสดุประสงคเพื่อการใช้งานภายในห้องนั้น



อ่านคู่มือการใช้งานก่อนที่จะใช้งานอุปกรณ์



ห้ามพยายามชาร์จแบตเตอรี่ที่ชำรุดเสียหาย

ความปลอดภัยทางไฟฟ้า



ที่ชาร์จของคุณหมั่นจนสองชั้น ดังนั้นจึงไม่จำเป็นต้องมีการเดินสายดิน ต้องตรวจกำลังไฟเพื่อให้ตรงกับแรงดันไฟฟ้าบนแผ่นแสดงพิกัดเสมอ ห้ามเปลี่ยนสายปลั๊กไฟของ เครื่องชาร์จเป็นสายปลั๊กไฟธรรมดาโดยเด็ดขาด

- ถ้าสายไฟของตัวเครื่องชำรุดเสียหาย ต้องได้รับการเปลี่ยนโดยผู้ผลิตหรือศูนย์บริการของ STANLEY FATMAX ที่ได้รับอนุญาต เพื่อหลีกเลี่ยงอันตรายที่อาจเกิดขึ้นได้



คำเตือน! ห้ามพยายามเปลี่ยนที่ชาร์จด้วยปลั๊กไฟทั่วไป

ส่วนประกอบสำคัญ

เครื่องมือนี้ประกอบไปด้วยส่วนประกอบทั้งหมดหรือบางส่วนดังต่อไปนี้:

- สวิตช์ใช้งาน
- ปุ่มเดินหน้า/ถอยหลัง
- ปลอกปรับแรงบิด
- อุปกรณ์เลือกเกียร์ Dual Range
- หัวจับแบบไม่มีจำปา
- แบตเตอรี่
- ปุ่มปลดล็อกแบตเตอรี่
- ไฟส่องสว่าง LED

การใช้งาน



คำเตือน! ปล่อยให้เครื่องมือทำงานตามจังหวะของตัวเอง ห้ามโอเวอร์โหลด

การชาร์จแบตเตอรี่ (รูป A)

คุณต้องชาร์จแบตเตอรี่ก่อนที่จะใช้งานครั้งแรกและเมื่อใดก็ตามที่แบตเตอรี่ไม่สามารถให้พลังงานที่เพียงพอแก่การทำงานต่างๆ ที่เคยทำได้ง่าย ๆ มาก่อน แบตเตอรี่อาจอุ่นได้ในขณะที่กำลังชาร์จซึ่งถือเป็นเรื่องปกติ และไม่ได้เป็นปัญหาแต่อย่างใด



คำเตือน! ห้ามชาร์จแบตเตอรี่ที่อุณหภูมิโดยรอบต่ำกว่า 10°C หรือสูงกว่า 40°C อุณหภูมิสำหรับการชาร์จที่แนะนำ: ประมาณ 24°C

หมายเหตุ: ที่ชาร์จจะไม่ชาร์จแบตเตอรี่หากอุณหภูมิของแบตเตอรี่ต่ำกว่า ประมาณ 10°C หรือสูงกว่า 40°C คุณควรทิ้งแบตเตอรี่ไว้ในที่ชาร์จ และที่ชาร์จจะเริ่มชาร์จโดยอัตโนมัติเมื่ออุณหภูมิของแบตเตอรี่สูงขึ้นหรือเย็นตัวลง

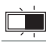





หมายเหตุ: เพื่อให้แน่ใจได้ถึงประสิทธิภาพและอายุการใช้งานสูงสุดของชุดแบตเตอรี่ลิเทียมไอออน คุณต้องชาร์จแบตเตอรี่ให้เต็มก่อนที่จะใช้งานครั้งแรก

- เสียบที่ชาร์จ (9) เข้าไปในตัวรับที่เหมาะสมก่อนที่จะใส่ชุดแบตเตอรี่ (6)







- ไฟชาร์จสีเขียว (9a) จะกะพริบต่อเนื่องแสดงว่ากระบวนการชาร์จได้เริ่มต้นขึ้นแล้ว
- การชาร์จเต็มแล้วจะได้รับสัญญาณโดยไฟชาร์จสีเขียว (9a) ที่ยังคงสว่างอย่างต่อเนื่อง ชุดแบตเตอรี่ (6) ใต้รับการชาร์จเต็มแล้ว คุณสามารถถอดแบตเตอรี่ออกและใช้งานเลย หรือทิ้งแบตเตอรี่ไว้ในที่ชาร์จ (9) ต่อ
- ชาร์จแบตเตอรี่ทั้งหมดแล้วภายใน 1 สัปดาห์ อายุการใช้งานของแบตเตอรี่จะลดลงเป็นอย่างมากหากเก็บแบตเตอรี่ไว้ทั้งที่แบตเตอรี่หมด

โหมดไฟ LED ของที่ชาร์จ

สัญลักษณ์สำหรับเครื่องชาร์จทุกรุ่น ยกเว้นรุ่น SC120

	กำลังชาร์จ	--- ---	
	ชาร์จเต็มแล้ว	=====	
	ชะลอการชาร์จ แบตเตอรี่ร้อน/เย็นเกินไป	--- --- ---	

สัญลักษณ์สำหรับเครื่องชาร์จรุ่น SC120 เท่านั้น

	กำลังชาร์จ	--- ---	
	ชาร์จเต็มแล้ว	=====	
	ชะลอการชาร์จ แบตเตอรี่ร้อน/เย็นเกินไป	--- --- ---	

หมายเหตุ: ที่ชาร์จที่สามารถเข้ากันได้จะไม่ชาร์จชุดแบตเตอรี่ที่ชาร์จ ที่ชาร์จจะระบุชุดแบตเตอรี่ที่ชาร์จโดยไม่มีไฟสว่าง

หมายเหตุ: สิ่งนี้จะหมายความว่ามีปัญหาเกี่ยวกับที่ชาร์จ หากที่ชาร์จแสดงถึงปัญหา ให้คุณนำที่ชาร์จและชุดแบตเตอรี่ของคุณไปทำการทดสอบที่ศูนย์บริการที่ได้รับอนุญาต

การทิ้งแบตเตอรี่ไว้ในที่ชาร์จ

คุณสามารถทิ้งที่ชาร์จและชุดแบตเตอรี่เอาไว้ได้โดยที่ไฟ LED จะสว่างอย่างต่อเนื่อง ที่ชาร์จจะคงสภาพของชุดแบตเตอรี่ และจะชาร์จชุดแบตเตอรี่จนเต็ม

ความล่าช้าที่เกิดจากชุดแบตเตอรี่ที่ร้อน/เย็น

เมื่อที่ชาร์จตรวจพบว่า แบตเตอรี่ร้อนเกินไปหรือเย็นเกินไป ที่ชาร์จจะเริ่มต้นความล่าช้าที่เกิดจากชุดแบตเตอรี่ที่ร้อนโดยอัตโนมัติ ไฟ LED สีเขียว (9a) จะสว่างเป็นช่วงๆ ในขณะที่ไฟ LED สีแดง (9b) จะยังคงสว่างอย่างต่อเนื่อง การชาร์จจะหยุดลงชั่วคราวจนกระทั่งแบตเตอรี่มีอุณหภูมิที่เหมาะสม จากนั้นที่ชาร์จจะเปลี่ยนไปเป็นโหมดการชาร์จชุดแบตเตอรี่โดยอัตโนมัติ คุณลักษณะนี้จะช่วยให้แน่ใจได้ถึงอายุการใช้งานสูงสุดของแบตเตอรี่

ไฟแสดงสถานะการชาร์จแบตเตอรี่ (รูป B)

แบตเตอรี่จะมีไฟแสดงสถานะการชาร์จเพื่อให้สามารถระบุอายุการใช้งานของแบตเตอรี่ได้อย่างรวดเร็วตาม

ที่แสดงในรูป B เมื่อกดปุ่มสถานะการชาร์จ (6a) คุณจะสามารดูการชาร์จที่เหลืออยู่ของแบตเตอรี่ได้อย่างง่ายดายตามที่แสดงในรูป B

การยึดติดกับผนัง

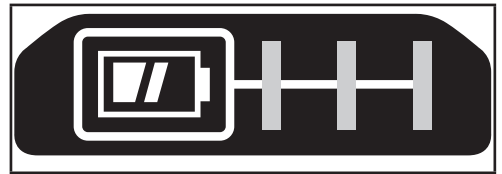
เครื่องชาร์จ STANLEY FATMAX บางรุ่นออกแบบมาให้สามารถติดผนัง หรือวางบนโต๊ะหรือบนพื้นผิวทางานทั่วไปได้

สำหรับการติดผนัง ให้ติดตั้งเครื่องชาร์จในระยะเวลาที่สายไฟสามารถเสียบเข้าตัวรับได้ หลีกเลี่ยงบริเวณมุมอับหรือจุดที่มีสิ่งกีดขวางไม่ให้อากาศถ่ายเท

ใช้บริเวณด้านหลังของเครื่องชาร์จเพื่อเป็นแบบในการติดตั้งและยึดสกรู ติดตั้งเครื่องชาร์จด้วยสกรูยาวอย่างน้อย 1 นิ้ว (25.4 มม.) ขนาดหัวสกรู 0.28-0.35 นิ้ว (7-9 มม.) โดยทิ้งหัวสกรูที่ยื่นออกจากผนังประมาณ 7/32 นิ้ว (5.5 มม.) ใส่เครื่องชาร์จโดยให้ช่องด้านหลังอยู่แนวเดียวกับหัวสกรู

หมายเหตุ: อย่าติดตั้งเครื่องชาร์จ SC120 บริเวณในโต๊ะหรือม้านั่ง

หมายเหตุ: ติดตั้งเครื่องชาร์จ SC120 โดยให้ไฟบอกสถานะการชาร์จชี้ขึ้นไปทีเพดานเท่านั้น



การใส่และการถอดชุดแบตเตอรี่ออกจากเครื่องมือ



คำเตือน! ตรวจสอบให้แน่ใจว่ากดปุ่มล็อคแล้ว เพื่อป้องกันการเริ่มต้นทำงานโดยไม่เจตนา ก่อนที่จะทำการถอดหรือการใส่แบตเตอรี่

การใส่ชุดแบตเตอรี่ (รูป C)

- ใส่ชุดแบตเตอรี่เข้าไปในเครื่องมือให้สุดจนกระทั่งได้ยินเสียงดังกริกตามทีแสดงในรูป C ตรวจสอบให้แน่ใจว่า ชุดแบตเตอรี่อยู่กับที่และอยู่ในตำแหน่งอย่างแน่นหนา

การถอดชุดแบตเตอรี่ (รูป D)

- กดปุ่มปลดล็อคแบตเตอรี่ (7) ตามที่แสดงในรูป D และดึงชุดแบตเตอรี่ออกจากเครื่องมือ

ตะขอสายรัด (ตัวเลือกพิเศษ) (รูป E, F)



คำเตือน! เพื่อลดความเสี่ยงจากการบาดเจ็บส่วนบุคคลร้ายแรง คุณต้องวางปมการเดินหน้า/การถอยหลังไว้ในตำแหน่งล็อคหรือปิดเครื่องมือและถอดชุดแบตเตอรี่ออกก่อนที่จะทำการปรับหรือการถอด/การใส่อุปกรณ์ยึดติดหรืออุปกรณ์เสริม การเริ่มต้นทำงานโดยไม่เจตนาอาจก่อให้เกิดการบาดเจ็บได้



คำเตือน! เพื่อลดความเสี่ยงจากการบาดเจ็บส่วนบุคคลร้ายแรง คุณต้องใช้ตะขอสายรัดของเครื่องมือ (10) ในการแขวนสายรัดที่ใช้ในการทำงานของเครื่องมือเท่านั้น ห้ามใช้ตะขอสายรัด (10) ในการผูกหรือยึดเครื่องมือไปยังคนหรือวัตถุในระหว่างการใช้งาน ห้ามแขวนเครื่องมือไว้เหนือศีรษะ หรือแขวนวัตถุต่างๆ โดยใช้ตะขอสายรัด



คำเตือน! เพื่อลดความเสี่ยงจากการบาดเจ็บส่วนบุคคลร้ายแรง คุณต้องตรวจให้แน่ใจว่า สกรู (11) ที่ยึดตะขอสายรัดแน่นและปลอดภัย

หมายเหตุ: เมื่อทำการใส่หรือการเปลี่ยนตะขอสายรัด (10) คุณต้องใช้เฉพาะสกรู (11) ที่ให้มาเท่านั้น ตรวจสอบให้แน่ใจว่า คุณขันสกรูจนแน่น คุณสามารถใส่ตะขอ (10) โดยการเลื่อนเข้าไปในช่องโดยใช้เฉพาะสกรู (11) ที่ให้มา เพื่ออำนวยความสะดวกให้แก่ผู้ใช้งานที่ถนัดซ้ายหรือ ถนัดขวา หากไม่ต้องการใช้ตะขอ คุณสามารถถอดตะขอ ออกจากเครื่องมือได้ในการถอดตะขอ ให้คุณถอดสกรู (11) ที่ยึด ตะขอสายรัด (10) ออก และประกอบใหม่บนด้านตรงกันข้าม ตรวจสอบให้แน่ใจว่า คุณได้ขันสกรู (11) จนแน่น

หมายเหตุ: คุณสามารถใช้ตะขอมันงและการปรับแต่งการจัดเก็บต่างๆ ได้

กรุณาไปที่เว็บไซต์ของเราที่ www.stanley.eu/3 สำหรับข้อมูลเพิ่มเติม

หัวจับแบบไม่มีจำปา (รูป G)



คำเตือน! ตรวจสอบให้แน่ใจว่า ได้ถอดชุดแบตเตอรี่ออกแล้วเพื่อป้องกันไม่ให้เครื่องมือทำงานก่อนที่จะใส่หรือถอดอุปกรณ์เสริม

การใส่ดอกสว่านหรืออุปกรณ์เสริมอื่นๆ:

- จับหัวจับ (5) และหมุนหัวจับทวนเข็มนาฬิกาตามที่สามารถเห็นได้จากปลายของหัวจับ
- ใส่ดอกสว่านหรืออุปกรณ์เสริมอื่นๆ (13) เข้าไปในหัวจับให้สุด และขันให้แน่นโดยการหมุนหัวจับตามเข็มนาฬิกาตามที่สามารถเห็นได้จากปลายของหัวจับ



คำเตือน! ห้ามพยายามขึ้นหรือคลายดอกสว่าน (หรืออุปกรณ์เสริมอื่นใดก็ตาม) โดยการจับที่ส่วนหน้าของหัวจับ และเปิดเครื่องมือ

อาจเกิดความเสียหายกับหัวจับและเกิดการบาดเจ็บส่วนบุคคลได้เมื่อทำการเปลี่ยนอุปกรณ์เสริม

สวิตช์สั่งงานและปมเดินหน้า/ถอยหลัง (รูป H)

- สว่านจะเปิดและปิดเครื่องโดยการดึงและการปล่อยสวิตช์สั่งงาน (1) ซึ่งแสดงในรูป H ยิ่งกดสวิตช์สั่งงานไกลออกไปมากเท่าใด ความเร็วของสว่านก็จะยิ่งสูงขึ้นเท่านั้น
- ปมควบคุมการเดินหน้า/การถอยหลัง (2) จะกำหนดทิศทางการหมุนของเครื่องมือ และจะทำหน้าที่เป็นปมล็อคไปพร้อมกัน
- หากต้องการเลือกการหมุนแบบเดินหน้า ให้คุณปล่อยสวิตช์สั่งงาน และกดปมควบคุมการเดินหน้า/การถอยหลังบนด้านขวาของเครื่องมือ
- หากต้องการเลือกการหมุนแบบถอยหลัง ให้คุณกดปมควบคุมการเดินหน้า/การถอยหลังบนด้านซ้ายของเครื่องมือ
- ตำแหน่งตรงกลางของปมควบคุมจะล็อคเครื่องมือให้อยู่ในตำแหน่งปิดเครื่อง เมื่อจะเปลี่ยนตำแหน่งของปมควบคุม คุณจะต้องตรวจสอบให้แน่ใจว่า ได้ปล่อยสวิตช์สั่งงานแล้ว

การปรับการควบคุมแรงบิด (รูป I)

เครื่องมือนี้มีปลอกปรับแรงบิด (3) สำหรับใช้ในการเลือกโหมดการทำงานและการตั้งค่าแรงบิดสำหรับการขันสกรู สกรูขนาดใหญ่และชิ้นงานที่มีความแข็งแรงต้องใช้การตั้งค่าแรงบิดที่สูงกว่าเมื่อเทียบกับสกรูขนาดเล็กและชิ้นงานซึ่งเป็นวัสดุที่ไม่แข็ง

- สำหรับการเจาะไม้ โลหะและพลาสติก คุณจะต้องตั้งค่าปลอก (3) ไปที่สัญลักษณ์ตำแหน่งการเจาะ
- สำหรับการเจาะอิฐมวลเบา คุณจะต้องตั้งค่าปลอก (3) ไปที่ตำแหน่งการเจาะกระแทก
- สำหรับการไขควง ให้คุณตั้งค่าปลอกไปที่การตั้งค่าที่ต้องการ หากคุณไม่ทราบการตั้งค่าที่เหมาะสม คุณจะต้องดำเนินการดังต่อไปนี้:
 - ตั้งค่าปลอกไปที่การตั้งค่าแรงบิดต่ำสุด
 - ขันสกรูตัวแรกให้แน่น
 - หากคลัตช์หมุนก่อนที่จะได้ผลลัพธ์ตามที่คุณต้องการ คุณจะต้องเพิ่มการตั้งค่าปลอก และทำการขันสกรูต่อไป
 - ทำซ้ำตามขั้นตอนข้างต้นจนกระทั่งคุณได้การตั้งค่าที่ถูกต้อง
 - ใช้การตั้งค่านี้กับสกรูตัวที่เหลือ

สวิตช์ Dual Range (รูป J)

คุณลักษณะ Dual Range ของสว่านของคุณจะทำให้คุณสามารถเปลี่ยนเกียร์เพื่อเพิ่มความสามารถในการทำงานให้มากขึ้นได้

- หากต้องการเลือกการตั้งค่าที่ความเร็วต่ำ แรงบิดสูง (ตำแหน่ง 1) คุณจะต้องปิดเครื่องมือ และปล่อยให้

เครื่องมือหยุด เลื่อนปุ่มคันโยกเกียร์ (4) ให้ออกไปจากหัวจับ

- หากต้องการเลือกการตั้งค่าที่ความเร็วสูง แรงบิดต่ำ (ตำแหน่ง 2) คุณจะต้องปิดเครื่องมือ และปล่อยให้เครื่องมือหยุด เลื่อนปุ่มคันโยกเกียร์กลับไปหาหัวจับ

หมายเหตุ: ห้ามเปลี่ยนเกียร์ในขณะที่เครื่องมือยังคงทำงานอยู่ หากคุณพบปัญหาในการเปลี่ยนเกียร์ คุณจะต้องตรวจสอบให้แน่ใจว่า ปุ่มเกียร์ Dual Range ได้รับการดันไปข้างหน้าจนสุดหรือได้รับการดันกลับไปยังหลังจนสุดหรือไม่

การไขควง

- สำหรับการใส่อุปกรณ์ยึด คุณจะต้องดันปุ่มเดินหน้า/ถอยหลังไปทางซ้าย
- ใช้การถอยหลัง (ดันปุ่มไปทางขวา) สำหรับการถอดอุปกรณ์ยึด

หมายเหตุ: เมื่อจะเปลี่ยนจากการเดินหน้าไปเป็นการถอยหลังหรือในทางกลับกัน คุณจะต้องปล่อยสวิตช์สั่งงานก่อนทุกครั้ง

การเจาะ

- ใช้เฉพาะดอกสว่านที่คมเท่านั้น
- ร่องรับและยึดชิ้นงานอย่างเหมาะสมตามที่ระบุไว้ในคำแนะนำเพื่อความปลอดภัย
- ใช้อุปกรณ์ความปลอดภัยที่เหมาะสมตามที่กำหนดตามที่ระบุไว้ในคำแนะนำเพื่อความปลอดภัย
- รักษาบริเวณสำหรับการทำงานให้ปลอดภัยตามที่ระบุไว้ในคำแนะนำเพื่อความปลอดภัย
- ทำงานกับสว่านอย่างช้าๆ โดยใช้แรงดันเบาๆ จนกระทั่งรูเริ่มมีขนาดใหญ่มากพอจนดอกกัดไม่หลุดออกมา
- ใช้แรงดันในแนวตรงกับดอกกัด ใช้แรงดันที่มากพอในการคงไว้ซึ่งการกัดของดอกกัด แต่จะต้องไม่ใช่แรงดันที่มากเกินไปจนทำให้มอเตอร์หยุดทำงานกลางคันหรือทำให้ดอกกัดเบี่ยงออก
- ถือสว่านให้แน่นโดยใช้มือทั้งสองข้างโดยให้มือข้างหนึ่งอยู่บนด้ามจับในขณะที่มืออีกข้างจับที่ด้านล่างตรงบริเวณของแบตเตอรี่หรือที่ด้ามจับเสริมหากมีการจัดมาให้พร้อมเครื่องมือนี้
- ห้ามกดสวิตช์สั่งงานของสว่านที่หยุดทำงานกลางคันเพื่อพยายามทำให้เครื่องมือเริ่มต้นทำงาน อาจทำให้เกิดความเสียหายกับสว่านได้
- ลดปัญหาการหยุดทำงานกลางคันโดยการลดแรงดันและค่อยๆ ทำการเจาะผ่านส่วนสุดท้ายของรู
- ปล่อยให้มอเตอร์ทำงานต่อไปในขณะที่ดึงดอกกัดออกจากรูที่เจาะ การทำเช่นนี้จะช่วยลดการติดขัดได้
- ตรวจสอบให้แน่ใจว่า สวิตช์สามารถเปิดและปิดสว่านได้อย่างเหมาะสม

การเจาะไม้

คุณสามารถเจาะรูในไม้ได้โดยการใช้ดอกสว่านแบบร่องเกลียวแบบเดียวกันกับที่ใช้กับโลหะ หรือโดยการใช้ดอกกัดแบบฟลวี้ ดอกกัดดังกล่าวจะต้องคม และจะต้องได้รับการดึงออกบ่อยครั้งเมื่อทำการเจาะเพื่อกำจัดเศษออกจากร่อง

การเจาะโลหะ

ใช้น้ำมันตัดกลึงโลหะเมื่อทำการเจาะโลหะ ยกเว้นในกรณีที่ เป็นเหล็กกล้าและทองเหลืองซึ่งควรได้รับการเจาะแบบแห้ง น้ำมันตัดกลึงโลหะที่มีประสิทธิภาพสูงสุดคือน้ำมันตัดกลึงโลหะที่มีส่วนผสมของซิลิเฟอร

การเจาะอิฐ

สำหรับการเจาะอิฐ คุณจะต้องตั้งค่าปลอก (3) ไปที่ตำแหน่งการเจาะกระแทกโดยการจัดตำแหน่งสัญลักษณ์กับเครื่องหมาย ใช้ดอกกัดสำหรับอิฐที่มีปลายคาร์ไบด์ รักษาแรงให้สม่ำเสมอส่วน การไหลออกของฝุ่นที่ราบเรียบและสม่ำเสมอแสดงถึงอัตราการเจาะที่เหมาะสม

ไฟส่องสว่าง LED

เมื่อเปิดใช้งานสว่านโดยการดึงสวิตช์สั่งงาน (1) ไฟส่องสว่าง LED แบบในตัว (8) จะทำให้บริเวณที่ทำงานสว่างโดยอัตโนมัติ

หมายเหตุ: ไฟส่องสว่างดังกล่าวมีไว้สำหรับการให้ความสว่างแก่บริเวณแบบทันที และไม่ได้มีเจตนาเพื่อใช้เป็นไฟฉายแต่อย่างใด

การแก้ปัญหา

ปัญหา	สาเหตุที่เป็นไปได้	วิธีแก้ไขที่เป็นไปได้
เครื่องมือไม่เริ่มต้นทำงาน	ไม่ได้ใส่ชุดแบตเตอรี่อย่างเหมาะสม ไม่ได้ชาร์จชุดแบตเตอรี่	ตรวจสอบการใส่ชุดแบตเตอรี่ ตรวจสอบข้อกำหนดการชาร์จแบตเตอรี่
อุปกรณ์เริ่มต้นทำงานทันทีหลังจากใส่แบตเตอรี่	สวิตช์ถูกทิ้งไว้ในตำแหน่ง "เปิดเครื่อง"	คุณจะต้องยับยั้งสวิตช์ไปที่ตำแหน่ง "ปิดเครื่อง" เพื่อป้องกันไม่ให้เครื่องมือทำงานในทันทีเมื่อใส่แบตเตอรี่
ชุดแบตเตอรี่ไม่ชาร์จ	ไม่ได้ใส่ชุดแบตเตอรี่ลงในที่ชาร์จ ไม่ได้เสียบปลั๊กที่ชาร์จ	ใส่ชุดแบตเตอรี่ลงในที่ชาร์จจนกระทั่งไฟ LED สว่าง เสียบปลั๊กที่ชาร์จเข้าไปในเต้ารับ
	อุณหภูมิอากาศล้นรอบร่อนเกินไปหรือเย็นเกินไป	ย้ายที่ชาร์จและชุดแบตเตอรี่ไปในที่ซึ่งมีอุณหภูมิอากาศล้นรอบสูงกว่า 45 °C หรือต่ำกว่า +40.5 °C

ปัญหา	สาเหตุที่เป็นไปได้	วิธีแก้ไขที่เป็นไปได้
เครื่องปิดในทันที	ชุดแบตเตอรี่ขึ้นถึงขีดจำกัดความร้อนสูงสุด ไม่มีประจุ เพื่อเพิ่มอายุการใช้งานของชุดแบตเตอรี่ ชุดแบตเตอรี่จึงได้รับการออกแบบมาให้ปิดลงทันทีเมื่อประจุที่ชาร์จไว้หมด	ปล่อยให้ชุดแบตเตอรี่เย็นตัวลง วางลงบนที่ชาร์จและปล่อยให้ชาร์จ

การบำรุงรักษา

อุปกรณ์ไร้สาย STANLEY FATMAX ของคุณได้รับการออกแบบมาสำหรับการใช้งานเป็นเวลานานโดยมีการบำรุงรักษาขั้นต่ำ การใช้งานที่นำพึงพอใจอย่างต่อเนื่องจะขึ้นอยู่กับกระดูและการทำความสะอาดเครื่องมืออยู่เป็นประจำ

ที่ชาร์จของคุณไม่จำเป็นต้องได้รับการบำรุงรักษาใดจนออกไปจากการทำความสะอาดเป็นประจำ



คำเตือน! ก่อนที่จะทำการบำรุงรักษาเครื่องมือ คุณต้องถอดแบตเตอรี่ออกจากเครื่องมือก่อน ถอดปลั๊กที่ชาร์จก่อนที่จะทำความสะอาดที่ชาร์จ

- ทำความสะอาดช่องระบายในอุปกรณ์/ที่ชาร์จของคุณอย่างสม่ำเสมอโดยใช้แปรงขนนุ่มหรือผ้าแห้ง
- ทำความสะอาดตัวเรือนมอเตอร์อย่างสม่ำเสมอโดยใช้ผ้าหมาด
- ห้ามใช้สารทำความสะอาดที่เป็นสารทำลายหรือออกฤทธิ์กัดกร่อน

การคุ้มครองสิ่งแวดล้อม



ทั้งแยกต่างหาก ห้ามนำผลิตภัณฑ์และแบตเตอรี่ที่มีสัญลักษณ์นี้ไปทิ้งรวมกับของเสียในบ้านตามปกติ

ผลิตภัณฑ์และแบตเตอรี่มีวัสดุที่สามารถนำมาใช้ใหม่ได้ หรือนำมารีไซเคิลได้เพื่อเป็นการลดความต้องการด้านวัตถุดิบ โปรดรีไซเคิลผลิตภัณฑ์ไฟฟ้าและแบตเตอรี่ตามข้อบังคับในท้องถิ่น โปรดดูข้อมูลเพิ่มเติมที่ www.2helpU.com

ข้อมูลด้านเทคนิค

		SCD711
แรงดันไฟฟ้า	V _{DC}	18V (20V MAX)
ความเร็วรอบสูงสุด	Min ⁻¹	0-400/0-1500
แรงบิดสูงสุด	Nm	50
ขนาดหัวจับดอกสว่าน	mm	13
สมรรถนะการเจาะสูงสุด		
เหล็ก/ไม้/อิฐ	mm	13/35/13
น้ำหนัก	kg	1.2

สายชาร์จ		SC125	SC200	SC400 SC401	SC120
แรงดันไฟฟ้าขาเข้า	V _{AC}	220-240	220-240	220-240	220-240
แรงดันไฟฟ้าขาออก	V _{DC}	18V (20V MAX)	18V (20V MAX)	18V (20V MAX)	18V (20V MAX)
กระแสไฟฟ้า	A	1.25	2	4	1.25

แบตเตอรี่		SB201	SB202	SB204	SB206
แรงดันไฟฟ้า	V _{DC}	18V (20V MAX)	18V (20V MAX)	18V (20V MAX)	18V (20V MAX)
ความจุ	Ah	1.5	2.0	4.0	6.0
ประเภท		Li-Ion	Li-Ion	Li-Ion	Li-Ion

ข้อมูลเกี่ยวกับบริการ

STANLEY FATMAX มีเครือข่ายศูนย์บริการซึ่งเป็นของบริษัทและที่ได้รับการอนุญาตจากบริษัท ศูนย์บริการทุกแห่งของ STANLEY FATMAX มีบุคลากรซึ่งได้รับการฝึกอบรมมาเป็นอย่างดีสำหรับ

ลูกค้าในเรื่องของการให้บริการเครื่องมือไฟฟ้าที่มีประสิทธิภาพและไว้วางใจได้ สำหรับข้อมูลเพิ่มเติมเกี่ยวกับศูนย์บริการที่ได้รับการอนุญาตของเรา และหากต้องการคำแนะนำเชิงเทคนิค การซ่อมแซม หรืออะไหล่ของแท้จากโรงงาน กรุณาติดต่อศูนย์บริการ the STANLEY FATMAX ที่ใกล้คุณที่สุดหรือไปที่ www.stanleytools.com.

Mục đích sử dụng

Máy khoan búa STANLEY FATMAX SCD711 của bạn đã được thiết kế cho các ứng dụng bắt vít và khoan gỗ, kim loại và khối xây dựng mềm. Thiết bị này dành cho người dùng chuyên nghiệp, không chuyên nghiệp và cá nhân.

Hướng dẫn an toàn

Cảnh báo chung về an toàn cho máy điện cầm tay



CẢNH BÁO! Vui lòng đọc kỹ mọi cảnh báo an toàn, hướng dẫn, hình minh họa và thông số kỹ thuật kèm theo dụng cụ điện cầm tay này.

Việc không tuân thủ tất cả các hướng dẫn liệt kê bên dưới có thể dẫn đến điện giật, cháy và/hoặc chấn thương nghiêm trọng.

Lưu giữ mọi cảnh báo và hướng dẫn để tham khảo sau này

Thuật ngữ “máy điện cầm tay” trong phần cảnh báo chỉ thiết bị chạy bằng điện nguồn (có dây điện) hoặc thiết bị chạy bằng pin (không có dây điện).

1. An toàn tại nơi làm việc

- Khu vực làm việc phải sạch sẽ và đủ ánh sáng.**
Những khu vực bừa bộn hoặc thiếu ánh sáng dễ gây tai nạn.
- Không vận hành máy điện cầm tay trong các môi trường dễ cháy nổ, như các môi trường có chất lỏng, khí hoặc bụi dễ cháy.** Máy điện cầm tay tạo ra các tia lửa điện có thể gây cháy bụi hoặc bốc khói.
- Không cho trẻ em và những người quan sát lại gần khi đang vận hành máy điện cầm tay.** Những lúc xao lãng có thể khiến bạn mất kiểm soát.

2. An toàn điện

- Phích cắm của máy điện cầm tay phải vừa với ổ cắm.** Không được sửa đổi phích cắm dưới bất kỳ hình thức nào. Không sử dụng các loại phích cắm nối cho máy điện cầm tay có nối đất. Phích cắm nguyên trạng và ổ cắm phù hợp sẽ giúp giảm nguy cơ bị điện giật.
- Tránh tiếp xúc với các bề mặt được nối đất như đường ống, lò sưởi, bếp nướng và tủ lạnh.** Nguy cơ bị điện giật sẽ cao hơn nếu cơ thể bạn nối đất.
- Không để các máy điện cầm tay ngoài trời mưa hoặc ở nơi ẩm ướt.** Nước vào trong máy điện cầm tay sẽ làm tăng nguy cơ bị điện giật.
- Không dùng dây điện cho các mục đích khác.** Tuyệt đối không sử dụng dây điện để mang, kéo hoặc rút phích cắm máy điện cầm tay. Để dây điện cách xa nguồn nhiệt, dầu mỡ, các cạnh sắc hoặc các bộ phận chuyển động. Dây điện bị hỏng hoặc bị vướng sẽ làm tăng nguy cơ bị điện giật.

- Khi vận hành máy điện cầm tay ngoài trời, hãy sử dụng dây nối dài phù hợp để sử dụng ngoài trời.** Sử dụng dây điện phù hợp để sử dụng ngoài trời sẽ giúp giảm nguy cơ bị điện giật.
- Nếu bắt buộc phải vận hành máy điện cầm tay ở nơi ẩm ướt, hãy sử dụng nguồn điện được bảo vệ bởi thiết bị ngắt mạch tự động (RCD).** Sử dụng RCD giúp giảm nguy cơ bị điện giật.

3. An toàn cá nhân

- Hãy tập trung, chú ý vào những gì bạn đang làm và tỉnh táo khi vận hành máy điện cầm tay.** Không sử dụng máy điện cầm tay khi bạn đang mệt hoặc chịu ảnh hưởng của rượu bia, ma túy hoặc chất kích thích. Chỉ một khoảnh khắc mất tập trung trong khi vận hành máy điện cầm tay cũng có thể dẫn đến chấn thương cá nhân nghiêm trọng.
- Sử dụng thiết bị bảo hộ cá nhân.** Luôn đeo kính bảo hộ. Thiết bị bảo hộ như mũ nện chống bụi, giày chống trượt, mũ cứng hoặc thiết bị bảo vệ tai, được sử dụng ở những điều kiện phù hợp, sẽ giúp giảm các chấn thương cá nhân.
- Tránh vô tình bật máy.** Đảm bảo rằng công tắc ở vị trí tắt trước khi nối với nguồn điện và/hoặc pin, khi cầm hoặc mang máy. Việc cầm máy điện cầm tay khi ngón tay đặt vào công tắc hoặc sạc pin cho máy điện cầm tay khi công tắc đang bật có thể gây tai nạn.
- Hãy tháo hết khóa điều chỉnh hoặc cờ lê trước khi bật máy điện cầm tay.** Cờ lê hoặc khóa vẫn để ở bộ phận quay của máy điện cầm tay có thể dẫn đến chấn thương cá nhân.
- Không được với tay.** Hãy đứng ở tư thế thích hợp và luôn giữ thăng bằng. Điều đó giúp kiểm soát máy điện cầm tay tốt hơn trong các tình huống bất ngờ.
- Mặc quần áo phù hợp.** Không mặc quần áo rộng hoặc đeo đồ trang sức. Giữ cho tóc và quần áo tránh xa các bộ phận di động. Quần áo rộng, đồ trang sức hoặc tóc dài có thể bị mắc vào các bộ phận di động.
- Nếu cần thiết bị được cung cấp để nối các phương tiện hút và gom bụi, hãy đảm bảo những thiết bị này được nối và sử dụng đúng cách.** Sử dụng thiết bị gom bụi có thể giảm các nguy cơ liên quan đến bụi.
- Không nên tự mãn vì đã dùng thành thạo máy mà bỏ qua các nguyên tắc an toàn của máy.** Một hành động bất cẩn cũng có thể gây ra thương tích nghiêm trọng trong tích tắc.

4. Sử dụng và bảo quản máy điện cầm tay

- Sử dụng máy điện cầm tay phù hợp.** Sử dụng máy điện cầm tay phù hợp với mục đích của bạn. Máy phù hợp sẽ giúp bạn làm việc hiệu quả và an toàn hơn theo đúng tốc độ được thiết kế.

- b. Không sử dụng máy điện cầm tay nếu công tắc không bật và tắt được. Những máy điện cầm tay không điều khiển được bằng công tắc đều rất nguy hiểm và cần phải được sửa chữa.
- c. Rút phích cắm khỏi nguồn điện và/hoặc tháo pin ra nếu có thể tháo rời khỏi máy điện cầm tay, trước khi thực hiện các điều chỉnh, thay đổi phụ kiện hoặc cất giữ máy điện cầm tay. Các biện pháp an toàn phòng ngừa đó giúp giảm nguy cơ khởi động máy điện cầm tay một cách tình cờ.
- d. Bảo quản các máy điện cầm tay không sử dụng xa tầm tay trẻ em và không cho phép những người không quen với máy điện cầm tay hoặc những hướng dẫn này vận hành máy điện cầm tay. Máy điện cầm tay sẽ rất nguy hiểm khi được sử dụng bởi những người chưa được huấn luyện.
- e. Bảo trì các phụ kiện và máy điện cầm tay. Kiểm tra các bộ phận chuyển động xem có bị lắp lệch hoặc kẹt không, các bộ phận có bị vỡ không và bất kỳ tình trạng nào khác có thể ảnh hưởng đến việc vận hành máy điện cầm tay. Nếu máy điện cầm tay bị hỏng, hãy sửa chữa trước khi sử dụng. Rất nhiều tai nạn xảy ra do công tác bảo trì các máy điện cầm tay kém.
- f. Đảm bảo các thiết bị cất luôn sắc và sạch sẽ. Các dụng cụ cất được bảo trì đúng cách với các cạnh cắt sắc sẽ ít bị kẹt hơn và dễ điều khiển hơn.
- g. Sử dụng máy điện cầm tay, các phụ kiện và mũi khoan, v.v.. theo hướng dẫn này, chú ý đến các điều kiện làm việc và công việc cần thực hiện. Sử dụng máy điện cầm tay sai mục đích có thể gây nguy hiểm.
- h. Giữ các tay cầm và bề mặt cầm nắm luôn khô ráo, sạch sẽ và không dính dầu mỡ. Các tay cầm và bề mặt cầm nắm trơn trượt không cho phép xử lý và kiểm soát máy an toàn trong những tình huống bất ngờ.

5. Sử dụng và bảo quản máy chạy bằng pin

- a. Chỉ sạc lại pin bằng bộ sạc do nhà sản xuất quy định. Bộ sạc chỉ thích hợp cho một loại pin. Nếu sử dụng với loại pin khác, có thể tạo nguy cơ hỏa hoạn.
- b. Chỉ sử dụng máy điện cầm tay với các loại pin được chỉ định cụ thể. Sử dụng loại pin khác có thể tạo nguy cơ bị chấn thương và hỏa hoạn.
- c. Khi không sử dụng pin, để pin tránh xa các vật dụng kim loại như kẹp giấy, tiền đồng, chìa khóa, đinh, vít, hay các vật dụng kim loại nhỏ khác có thể tạo kết nối từ cực này sang cực khác. Khi các cực của pin tiếp xúc với nhau có thể gây bỏng hoặc hỏa hoạn.
- d. Nếu lạm dụng pin, dung dịch có thể chảy ra từ pin; tránh tiếp xúc. Nếu vô tình tiếp xúc, hãy rửa bằng nước. Nếu chất lỏng dính vào mắt, hãy điều trị y tế ngay. Chất lỏng chảy ra từ pin có thể gây kích ứng hoặc bỏng da.

- e. Không sử dụng pin hoặc máy khi bị hỏng hoặc đã bị chỉnh sửa. Pin hỏng hoặc đã bị chỉnh sửa có thể gây ra những phản ứng khó lường, dẫn đến cháy nổ hoặc có nguy cơ gây chấn thương.
- f. Không để pin hoặc máy gần khu vực có lửa hoặc nhiệt độ quá cao. Tiếp xúc với lửa hoặc nhiệt độ trên 130 °C có thể gây nổ.
- g. Tuân theo mọi hướng dẫn về sạc pin và không được sạc máy quá phạm vi nhiệt độ được ghi trong hướng dẫn. Sạc pin không đúng cách hoặc ở các mức nhiệt độ nằm ngoài phạm vi chỉ định có thể làm hỏng pin và tăng nguy cơ hỏa hoạn.

6. Bảo dưỡng

- a. Hãy để nhân viên bảo dưỡng có chuyên môn tiến hành bảo dưỡng máy điện cầm tay cho bạn và chỉ sử dụng các bộ phận thay thế chính hãng. Điều này giúp đảm bảo độ an toàn của máy điện cầm tay đó.
- b. Tuyệt đối không bảo dưỡng pin đã hỏng. Việc bảo dưỡng pin phải được thực hiện bởi nhà sản xuất hoặc nhà cung cấp dịch vụ bảo dưỡng được ủy quyền

Cảnh báo an toàn bổ sung cho máy vận vít

- Giữ công cụ điện bằng các bề mặt kẹp cách điện, khi thực hiện thao tác trong đó phụ kiện cắt có thể tiếp xúc với dây dẫn. Phụ kiện cắt tiếp xúc với dây "trần" có thể làm cho các bộ phận kim loại tiếp xúc của công cụ điện "trần" và có thể khiến người vận hành bị điện giật.
- Đeo thiết bị bảo vệ tai khi khoan đập. Tiếp xúc với tiếng ồn có thể gây giảm thính lực.
- Sử dụng tay cầm phụ được cung cấp kèm công cụ. Mất kiểm soát có thể gây thương tích cá nhân.
- Sử dụng kẹp hoặc một cách thực tiễn khác để bảo đảm và đỡ chi tiết gia công đến một nền tảng ổn định. Giữ chi tiết gia công bằng tay hoặc ngược lại với cơ thể của bạn khiến nó không ổn định và có thể dẫn đến mất kiểm soát.
- Trước khi bắt ốc vít vào tường, sàn hoặc trần nhà, hãy kiểm tra vị trí của hệ thống dây điện và đường ống.
- Mục đích sử dụng được mô tả trong hướng dẫn này.
- Việc sử dụng bất kỳ phụ kiện hoặc vật tư đi kèm hoặc hiệu suất của bất kỳ thao tác nào với công cụ này ngoài những điều được đề xuất trong hướng dẫn sử dụng này có thể có nguy cơ gây thương tích cá nhân và/hoặc thiệt hại cho tài sản.

1) Hướng dẫn an toàn cho mọi hoạt động

- a. Đeo thiết bị bảo vệ tai khi khoan đập. Tiếp xúc với tiếng ồn có thể gây giảm thính lực.
- b. Cố định công cụ đúng cách trước khi sử dụng. Công cụ này tạo ra lực mô-men xoắn đầu ra cao và

nếu không được cố định công cụ đúng cách trong quá trình vận hành, có thể xảy ra việc mất kiểm soát dẫn đến thương tích cá nhân.

- c. **Giữ công cụ điện bằng các bề mặt kẹp cách điện, khi thực hiện thao tác trong đó dây buộc có thể tiếp xúc với dây trần.** Chốt tiếp xúc với dây “trần” có thể làm cho các bộ phận kim loại tiếp xúc của công cụ điện “trần” và có thể khiến người vận hành bị điện giật.

2) Hướng dẫn an toàn khi sử dụng mũi khoan dài

- a. **Không bao giờ được vận hành ở tốc độ cao hơn tốc độ tối đa của mũi khoan. Ở tốc độ cao hơn, mũi khoan có khả năng bị uốn cong nếu quay tự do mà không tiếp xúc với chi tiết gia công, dẫn đến thương tích cho người.**
- b. **Luôn bắt đầu khoan ở tốc độ thấp và đầu mũi khoan phải tiếp xúc với chi tiết gia công. Ở tốc độ cao hơn, mũi khoan có khả năng bị uốn cong nếu quay tự do mà không tiếp xúc với chi tiết gia công, dẫn đến thương tích cho người.**
- c. **Chỉ tạo áp lực theo phương thẳng với mũi khoan và không tạo áp lực quá mức. Các vết rạch có thể uốn cong gây gãy hoặc mất kiểm soát, dẫn đến thương tích cho người.**

An toàn của người khác

- Công cụ này không dành cho những người (kể cả trẻ em) bị suy giảm khả năng thể chất, cảm giác hoặc tinh thần, hoặc thiếu kinh nghiệm và kiến thức, trừ khi họ được người chịu trách nhiệm bảo vệ an toàn.
- Trẻ em cần được giám sát để đảm bảo rằng chúng không chơi cùng với công cụ này.

Các nguy cơ khác

Các nguy cơ khác có thể phát sinh khi sử dụng công cụ này có thể không được đưa vào trong cảnh báo an toàn kèm theo. Các nguy cơ này có thể phát sinh do sử dụng sai mục đích, sử dụng trong khoảng thời gian dài, v.v. Kể cả việc áp dụng các quy tắc an toàn liên quan và sử dụng các thiết bị an toàn cũng không thể tránh được một số nguy cơ khác. Những nguy cơ này bao gồm:

- Chấn thương do đụng vào các bộ phận quay/chuyển động.
- Chấn thương gây ra khi thay đổi các bộ phận, lưỡi dao hoặc phụ kiện.
- Chấn thương do sử dụng kéo dài một công cụ. Khi sử dụng bất kỳ công cụ nào trong thời gian dài, phải đảm bảo thời gian nghỉ thường xuyên.
- Suy giảm thính lực.
- Các mối nguy hiểm tới sức khỏe do hít phải bụi khi sử dụng công cụ của bạn (ví dụ: - làm việc với gỗ, đặc biệt là gỗ sồi, gỗ dẻ và gỗ công nghiệp.)

Nhãn trên công cụ

Các biểu tượng sau cùng với mã ngày được hiển thị trên công cụ:

	CẢNH BÁO! Để giảm nguy cơ chấn thương, người dùng phải đọc hướng dẫn trước khi sử dụng.		
	Đeo kính bảo hộ.		
	Đeo thiết bị bảo vệ tai.		
	Đeo mặt nạ chống bụi.		
V	Vôn	---	Dòng một chiều
A	Ampe	n ₀	Tốc độ định mức
Hz	Hertz		Thiết kế cách điện kép
W	Watt		Dây nối đất
min	phút		Biểu tượng cảnh báo an toàn
	Dòng xoay chiều	/min.	Số vòng quay hoặc Số lần qua lại trong một phút

Vị trí mã ngày

Mã ngày, bao gồm cả năm sản xuất, được in trên vỏ máy. Ví dụ:

2023 XX JN
Năm sản xuất

Hướng dẫn an toàn bổ sung cho pin và bộ sạc

Pin

- Không bao giờ thử tháo ra vì bất kỳ lý do.
- Không để pin tiếp xúc với nước.
- Không lưu trữ ở những nơi có nhiệt độ có thể vượt quá 40 °C.
- Chỉ sạc ở nhiệt độ môi trường từ 10 °C đến 40 °C.
- Chỉ sạc bằng bộ sạc đi kèm với công cụ.
- Khi rút bộ pin, hãy làm theo các hướng dẫn được đưa ra trong phần “Bảo vệ môi trường”.

Bộ sạc

- Chỉ sử dụng bộ sạc STanley FATMAX để sạc pin đi kèm với thiết bị/dụng cụ. Các pin khác có thể cháy nổ, gây thương tích cá nhân và hư hỏng.
- Tuyệt đối không cố sạc pin dùng một lần.
- Dây bị lỗi được thay thế ngay lập tức.
- Không để bộ sạc tiếp xúc với nước.

- Không mở bộ sạc ra.
- Không chọc que vào bộ sạc.



Đề sạc chỉ được thiết kế để sử dụng trong nhà.



Đọc hướng dẫn sử dụng trước khi sử dụng.



Không cố sạc pin đã bị hỏng.

An toàn điện



Bộ sạc của bạn được bọc cách điện kép; do đó không cần phải nối đất. Luôn kiểm tra xem điện áp nguồn có tương ứng với điện áp trên nhãn thông số định mức của bộ sạc. Tuyệt đối không tìm cách thay bộ sạc bằng phích cắm điện thông thường.

- Nếu dây điện bị hư hỏng, phải thay thế ngay phụ tùng chính hãng tại Trung Tâm Bảo Hành Ủy Quyền Stanley FatMax để tránh tai nạn nguy hiểm.



Cảnh Báo! Đừng cố gắng thay thế bộ sạc bằng phích cắm nguồn thông thường.

Tính năng

Dụng cụ này có một số hoặc tất cả những tính năng sau đây.

1. Công tắc khởi động
2. Nút tiến/lùi
3. Vòng kẹp điều chỉnh mô-men xoắn
4. Bộ chọn bánh răng phạm vi kép
5. Mâm cấp không chia
6. Pin
7. Nút tháo pin
8. Đèn làm việc LED

Sử dụng



Cảnh Báo! Hãy để công cụ hoạt động theo tốc độ của riêng nó. Đừng quá tải.

Sạc pin (Hình A)

Pin cần được sạc trước khi sử dụng lần đầu tiên và bắt cứ khi nào nó không tạo ra đủ năng lượng cho các công việc được thực hiện dễ dàng như trước đây. Pin có thể nóng lên khi đang sạc; điều này là bình thường và không phải là một vấn đề.



Cảnh Báo! Không sạc pin ở nhiệt độ môi trường xung quanh dưới 10 °C hoặc trên 40 °C. Nhiệt độ sạc đề xuất: xấp xỉ 24 °C.

Lưu ý: Bộ sạc sẽ không sạc pin nếu nhiệt độ của pin dưới khoảng 10 °C hoặc trên 40 °C.

Nên pin được để trong bộ sạc và bộ sạc sẽ bắt đầu sạc tự động khi nhiệt độ pin ấm lên hoặc nguội đi.

Lưu ý: Để đảm bảo hiệu suất và tuổi thọ tối đa của bộ pin lithium-ion, hãy sạc đầy bộ pin trước khi sử dụng lần đầu.

- Cắm bộ sạc (9) vào ổ cắm thích hợp trước khi lắp bộ pin (6).
- Đèn sạc màu xanh lá (9a) sẽ nhấp nháy liên tục cho biết quá trình sạc đã bắt đầu.
- Việc hoàn tất quá trình sạc sẽ được chỉ báo bằng đèn sạc màu xanh lá (9a) vẫn BẬT liên tục. Bộ pin (6) đã được sạc đầy và có thể được tháo ra và sử dụng tại thời điểm này hoặc để lại trong bộ sạc (9).
- Sạc pin đã xả trong vòng 1 tuần. Tuổi thọ của pin sẽ giảm đi rất nhiều nếu để ở trạng thái xả.

Chế độ đèn LED sạc

Thông báo trạng thái sạc cho tất cả các bộ sạc ngoại trừ SC120

	Đang sạc	-----	
	Đã sạc đầy	—————	
	Nhiệt độ nóng/lạnh pin	----- —————	

Trạng thái sạc chỉ dành cho SC120

	Đang sạc	-----	
	Đã sạc đầy	—————	
	Nhiệt độ nóng/lạnh pin	----- ————— -----	

Lưu ý: (Các) bộ sạc tương thích sẽ không sạc được bộ pin bị lỗi. Bộ sạc sẽ chỉ ra một bộ pin bị lỗi bằng cách không sáng.

Lưu ý: Điều này cũng có thể là sự cố với bộ sạc. Nếu bộ sạc có vấn đề, hãy mang bộ sạc và pin đi kiểm tra tại trung tâm dịch vụ được ủy quyền.

Đề pin trong bộ sạc

Bộ sạc và bộ pin có thể được kết nối với đèn LED phát sáng vô thời hạn. Bộ sạc sẽ giữ cho bộ pin luôn mới và được sạc đầy.

Độ trễ Bộ nguồn Nóng/Lạnh

Khi bộ sạc phát hiện thấy pin quá nóng hoặc quá lạnh, nó sẽ tự động khởi động Độ trễ Bộ nguồn Nóng/Lạnh, đèn LED màu xanh lá (9a) sẽ nhấp nháy liên tục, trong khi đèn LED màu đỏ (9b) sẽ vẫn sáng liên tục, tạm ngừng sạc cho đến khi pin đã đạt đến nhiệt độ thích hợp. Sau đó, bộ sạc sẽ tự động chuyển sang chế độ sạc bộ nguồn. Tính năng này đảm bảo tuổi thọ pin tối đa.

Trạng thái pin của đèn chỉ báo sạc (Hình B)

Pin bao gồm đèn chỉ báo trạng thái sạc để nhanh chóng xác định mức độ tuổi thọ của pin như trong hình B. Bằng cách nhấn nút trạng thái sạc (6a), bạn có thể dễ dàng xem

lượng điện còn lại trong pin như minh họa trong hình B.

Gắn vào tường

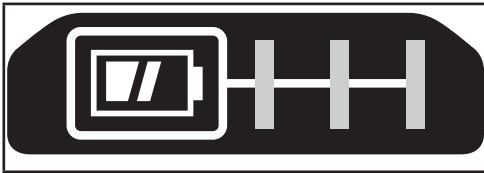
Một số bộ sạc STANLEY FATMAX được thiết kế để treo tường, hoặc có thể được đặt trên bàn hoặc trên bề mặt làm việc chung.

Nếu gắn tường, hãy đặt bộ sạc sao cho có thể cắm dây nguồn vào ổ cắm điện, tránh các góc khuất hoặc các điểm cản trở luồng không khí.

Sử dụng mặt sau của bộ sạc làm chuẩn để gắn và cố định các vít. Lắp bộ sạc bằng các vít dài ít nhất 1 inch (25,4 mm), đầu vít dài 0,28-0,35 inch (7-9 mm), để lại khoảng 7/32 inch của đầu vít nhô ra khỏi tường (5,5 mm). Căn chỉnh các khe cắm ở mặt sau của bộ sạc với các phần vít lộ ra ngoài sao cho khớp chặt vào nhau.

LƯU Ý: Không tìm cách gắn bộ sạc SC120 dưới băng ghế hoặc bàn.

LƯU Ý: Chỉ lắp bộ sạc SC120 với đèn sạc hướng lên trần nhà.



Lắp đặt và tháo bộ pin ra khỏi công cụ



Cảnh Báo! Đảm bảo rằng nút khóa tắt đã được đặt để ngăn việc kích hoạt công tắc trước khi tháo hoặc lắp pin.

Lắp bộ pin (hình C)

- Gắn chặt bộ pin vào công cụ cho đến khi nghe thấy tiếng tích như thể hiển trong hình C. Đảm bảo rằng bộ pin được đặt khớp hoàn toàn và được chốt hoàn toàn vào vị trí.

Tháo bộ pin (Hình D)

- Nhấn nút tháo pin (7) như thể hiện trong hình D và kéo mạnh bộ pin ra khỏi công cụ.

Móc đai (Tùy chọn thêm) (Hình E, F)



Cảnh Báo! Để giảm nguy cơ gây thương tích cá nhân nghiêm trọng, hãy đặt nút tiến/lùi ở vị trí khóa hoặc tắt công cụ và ngắt kết nối bộ pin trước khi thực hiện các điều chỉnh hoặc tháo/lắp các bộ phận hoặc phụ kiện. Việc khởi động không cẩn thận có thể gây ra chấn thương.



Cảnh Báo! Để giảm nguy cơ gây thương tích cá nhân nghiêm trọng, CHỈ sử dụng móc đai của công cụ (10) để treo công cụ khỏi dây đai. KHÔNG sử dụng móc dây đai (10) để buộc hoặc cố định công cụ với người hoặc đồ vật trong khi sử dụng. KHÔNG treo công cụ trên đầu hoặc treo đồ vật từ móc dây đai.



Cảnh Báo! Để giảm nguy cơ gây thương tích cá nhân nghiêm trọng, hãy đảm bảo vít (11) giữ móc dây đai được chắc chắn.

Lưu ý: Khi gắn hoặc thay thế móc dây đai (10), chỉ sử dụng vít (11) được cung cấp. Đảm bảo vặn chặt vít một an toàn.

Móc dây đai (10) có thể được gắn bằng cách hai bên của dụng cụ chỉ bằng cách sử dụng vít (11) được cung cấp, để phù hợp với người dùng thuận tay trái hoặc phải. Nếu không muốn cái móc nào cả, có thể tháo chúng ra khỏi công cụ.

Để di chuyển móc dây đai, hãy tháo vít (11) giữ móc dây đai (10) tại chỗ, sau đó lắp lại ở phía đối diện. Đảm bảo vặn chặt vít (11).

Lưu ý: Có nhiều cấu hình lưu trữ và đường móc tường khác nhau.

Vui lòng truy cập trang web của chúng tôi www.stanley.eu/3 để biết thêm thông tin.

Mâm cặp không chia (Hình G)



Cảnh Báo! Đảm bảo rằng bộ pin đã được tháo để ngăn việc kích hoạt công cụ trước khi lắp đặt hoặc tháo phụ kiện.

Để lắp mũi khoan hoặc phụ kiện khác:

- Nắm chắc mâm cặp (5) và xoay nó theo hướng ngược chiều kim đồng hồ, khi nhìn từ đầu mâm cặp.
- Lắp hoàn toàn mũi khoan hoặc phụ kiện khác (13) vào mâm cặp và vặn chặt bằng cách xoay mâm cặp theo chiều kim đồng hồ khi nhìn từ đầu mâm cặp.



Cảnh Báo! Không cố gắng siết chặt hoặc nới lỏng các mũi khoan (hoặc các phụ kiện khác) bằng cách nắm chặt phần trước của mâm cặp và bệt công cụ.

Có thể gây ra hư hỏng mâm cặp và gây thương tích cá nhân khi thay đổi phụ kiện.

Công tắc khởi động & nút tiến/lùi (Hình H)

- Máy khoan được BẬT và TẮT bằng cách kéo và thả công tắc khởi động (1) như được thể hiện trong hình H. Khi nhấn nút khởi động càng sâu, tốc độ của máy khoan càng cao.
- Nút điều khiển tiến/lùi (2) xác định hướng quay của công cụ và cũng đóng vai trò như một nút khóa.
- Để chọn xoay tiến, nhấn công tắc nút khởi động và nhấn nút điều khiển tiến/lùi ở phía bên phải của công cụ.

- Để chọn lùi, nhấn nút điều khiển tiến/lùi ở bên trái của công cụ.
- Vị trí trung tâm của nút điều khiển khóa công cụ ở vị trí tắt. Khi thay đổi vị trí của nút điều khiển, hãy đảm bảo rằng nút khởi động được nhả ra.

Điều chỉnh kiểm soát mô-men xoắn (Hình I)

Công cụ này được trang bị một vòng kẹp điều chỉnh lực mô-men xoắn (3) để chọn chế độ vận hành và cài đặt lực mô-men xoắn để siết chặt các vít. Vít lớn và vật liệu gia công cứng yêu cầu cài đặt lực mô-men xoắn cao hơn so với vít nhỏ và vật liệu gia công mềm.

- Để khoan gỗ, kim loại và nhựa, hãy đặt vòng kẹp (3) đến biểu tượng vị trí khoan.
- Để khoan khối vữa xây mỏng, hãy đặt vòng kẹp (3) đến vị trí khoan búa.
- Để bắt vít, hãy đặt vòng kẹp ở vị trí cài đặt mong muốn. Nếu bạn chưa biết cài đặt thích hợp, hãy tiến hành như sau:
 - Đặt vòng kẹp ở cài đặt lực mô-men xoắn thấp nhất.
 - Vận chặt vít đầu tiên.
 - Nếu bánh cóc ly hợp hoạt động trước khi đạt được kết quả mong muốn, hãy tăng cài đặt vòng kẹp và tiếp tục siết chặt vít.
 - Lặp lại cho đến khi bạn có được cài đặt chính xác.
 - Sử dụng cài đặt này cho các vít còn lại.

Công tắc phạm vi kẹp (Hình J)

Tính năng phạm vi kẹp của máy khoan cho phép bạn sang số để có tính linh hoạt cao hơn.

- Để chọn cài đặt tốc độ thấp, lực mô-men xoắn cao (vị trí 1), hãy tắt công cụ và cho phép dừng. Trượt nút sang số (4) ra khỏi mâm cặp.
- Để chọn tốc độ cao, lực mô-men xoắn thấp (vị trí 2), hãy tắt công cụ và cho phép dừng. Trượt nút sang số (4) trở lại về phía mâm cặp.

Lưu ý: Không thay đổi số khi công cụ đang chạy. Nếu bạn gặp sự cố khi thay đổi số, hãy đảm bảo rằng nút số phạm vi kẹp được đẩy hoàn toàn về phía trước hoặc hoàn toàn được đẩy về phía sau.

Bắt vít

- Để bắt vít nhanh hơn, hãy gath nút tiến/lùi sang bên trái.
- Sử dụng vận lùi (nút được đẩy sang bên phải) để tháo ốc vít.

Lưu ý: Khi chuyển từ tiến sang lùi hoặc ngược lại, luôn nhả công tắc nút khởi động trước.

Khoan

- Chỉ sử dụng mũi khoan sắc.
- Hỗ trợ và đảm bảo làm việc đúng cách, theo hướng dẫn trong Hướng dẫn An toàn.

- Sử dụng thiết bị an toàn thích hợp và theo yêu cầu, theo hướng dẫn trong Hướng dẫn An toàn.
- Đảm bảo và duy trì khu vực làm việc, theo hướng dẫn trong Hướng dẫn An toàn.
- Chạy máy khoan thật chậm, sử dụng áp lực nhẹ, cho đến khi lỗ bắt đầu đủ để giữ cho mũi khoan không bị trượt ra khỏi lỗ.
- Tạo áp lực theo phương thẳng với mũi khoan. Sử dụng đủ áp lực để giữ cho lưỡi khoan bắt vào nhưng không quá nhiều để làm chết máy hoặc lệch mũi khoan.
- Giữ chặt máy khoan bằng hai tay, một tay cầm trên tay cầm và tay kia nắm chặt đáy xung quanh khu vực pin hoặc tay cầm phụ nếu có.
- **KHÔNG BẮM VÀO NÚT KHỞI ĐỘNG CỦA KHOAN ĐÃ ĐƯỢC CÀI ĐẶT VÀ BẬT TRONG MỘT NỖ LỰC ĐỂ KHỞI ĐỘNG. CÓ THỂ GÂY HƯ HỎNG KHOAN.**
- Giảm thiểu việc kẹt khi xuyên thủng bằng cách giảm áp lực và khoan từ từ qua phần cuối cùng của lỗ.
- Giữ động cơ chạy trong khi kéo mũi khoan ra khỏi lỗ đã khoan. Điều này sẽ giúp giảm tình trạng bị kẹt.
- Đảm bảo rằng công tắc phải vận bật và tắt máy khoan.

Khoan gỗ

Các lỗ trên gỗ có thể được tạo ra bằng các mũi khoan xoắn tương tự được sử dụng cho kim loại hoặc bằng các mũi thuổng. Các mũi khoan này phải sắc và phải được kéo ra thường xuyên khi khoan để loại bỏ các phoi khỏi ống sáo.

Khoan kim loại

Sử dụng chất bôi trơn cắt khi khoan kim loại. Các vật liệu ngoại lệ là gang và đồng thau nên được khoan khô. Chất bôi trơn cắt tốt nhất là dầu cắt được sulphur hóa.

Khoan khối vữa xây

Để khoan khối vữa xây, hãy đặt vòng kẹp (3) vào vị trí khoan búa bằng cách căn chỉnh ký hiệu với đánh dấu. Sử dụng các mũi khoan để khoan khối vữa xây nghiêng cacbua. . Phân bổ lực đều trên mũi khoan. Một luồng bụi mịn, đều rơi ra cho thấy tốc độ khoan thích hợp.

Đèn làm việc LED (Hình H)

Khi máy khoan được kích hoạt bằng cách kéo công tắc nút khởi động (1), đèn làm việc LED tích hợp (8) sẽ tự động chiếu sáng khu vực làm việc.

Lưu ý: Đèn làm việc dùng để chiếu sáng bề mặt làm việc ngay lập tức và không được sử dụng làm đèn pin.

Khắc phục

Sự cố	Nguyên nhân có thể	Giải pháp khả thi
Thiết bị sẽ không khởi động	Bộ nguồn pin không được lắp đúng cách. Bộ pin không được sạc.	Kiểm tra lắp đặt bộ nguồn pin. Kiểm tra yêu cầu sạc của bộ pin.
Thiết bị khởi động ngay sau khi lắp pin	Công tắc đã được để ở vị trí "bật".	Công tắc phải được chuyển sang vị trí "tắt" để ngăn công cụ khởi động ngay khi lắp pin vào.
Bộ pin không được sạc.	Pin chưa được cắm vào bộ sạc. Chưa cắm bộ sạc. Nhiệt độ không khí xung quanh quá nóng hoặc quá lạnh.	Cắm bộ nguồn pin vào bộ sạc cho đến khi đèn LED sáng. Cắm bộ sạc vào ổ cắm đang hoạt động. Di chuyển bộ sạc và bộ pin đến nơi có nhiệt độ không khí xung quanh trên 45 °C hoặc dưới +40,5 °C.
Thiết bị tắt đột ngột	Bộ pin đã đạt đến giới hạn nhiệt độ tối đa. Ngừng s. (Để tối đa hóa tuổi thọ, bộ pin được thiết kế để ngắt đột ngột khi hết pin	Để bộ pin nguội. Đặt vào bộ sạc và cho phép sạc.

Bảo trì

Thiết bị/dụng cụ có dây/không dây của STANLEY FATMAX được thiết kế để hoạt động trong thời gian dài và ít phải bảo trì nhất. Việc vận hành liên tục theo ý muốn tùy thuộc vào việc bảo quản đúng cách và vệ sinh thường xuyên.

Ngoài việc phải vệ sinh thường xuyên, bộ sạc của bạn không cần bảo trì gì thêm.



Cảnh báo! Trước khi thực hiện bất kỳ sự bảo trì công cụ nào, hãy tháo pin ra khỏi công cụ. Rút phích cắm bộ sạc trước khi thực hiện vệ sinh nó.

- Thường xuyên lau chùi các khe thông gió trong thiết bị/bộ sạc bằng chổi mềm hoặc khăn khô.
- Thường xuyên lau chùi vỏ động cơ bằng khăn ẩm.
- Không dùng chất tẩy rửa có chất mài mòn hay có chứa dung môi

Bảo vệ môi trường



Thu gom riêng. Không được vứt bỏ các sản phẩm và pin có ký hiệu này cùng với rác thải sinh hoạt thông thường.

Các sản phẩm và pin chứa vật liệu có thể được thu hồi hoặc tái chế nhằm giảm nhu cầu về vật liệu thô. Vui lòng tái chế sản phẩm điện và pin theo các quy định tại địa phương. Để biết thêm thông tin, hãy truy cập www.2helpU.com

Thông số kỹ thuật

		SCD711
Điện áp	V _{DC}	18V (20V MAX)
Tốc độ không tải	Min ⁻¹	0-400/0-1500
Lực mô-men xoắn tối đa	Nm	50
Dung tích mâm cặp	mm	13
Công suất khoan tối đa		
Thép/gỗ/khối vữa xây	mm	13/35/13
Trọng lượng	kg	1.2

Bộ sạc		SC125	SC200	SC400 SC401	SC120
Điện áp đầu vào	V _{AC}	220-240	220-240	220-240	220-240
Điện áp đầu ra	V _{DC}	18V (20V MAX)	18V (20V MAX)	18V (20V MAX)	18V (20V MAX)
Dòng điện	A	1.25	2	4	1.25

Pin		SB201	SB202	SB204	SB206
Điện áp	V _{DC}	18V (20V MAX)	18V (20V MAX)	18V (20V MAX)	18V (20V MAX)
Công suất	Ah	1.5	2.0	4.0	6.0
Loại		Li-Ion	Li-Ion	Li-Ion	Li-Ion

THÔNG TIN DỊCH VỤ

STANLEY FATMAX cung cấp mạng lưới đầy đủ các địa điểm dịch vụ do công ty sở hữu và ủy quyền. Tất cả các Trung tâm Dịch vụ của STANLEY FATMAX đều có đội ngũ nhân viên được đào tạo để cung cấp cho khách hàng dịch vụ công cụ điện hiệu quả và đáng tin cậy. Để biết thêm thông tin về các trung tâm dịch vụ được ủy quyền của chúng tôi và nếu bạn cần tư vấn kỹ thuật, sửa chữa hoặc thay thế các bộ phận chính hãng của nhà máy, hãy liên hệ với địa điểm STANLEY FATMAX gần bạn nhất hoặc ghé thăm chúng tôi tại www.stanleytools.com.

