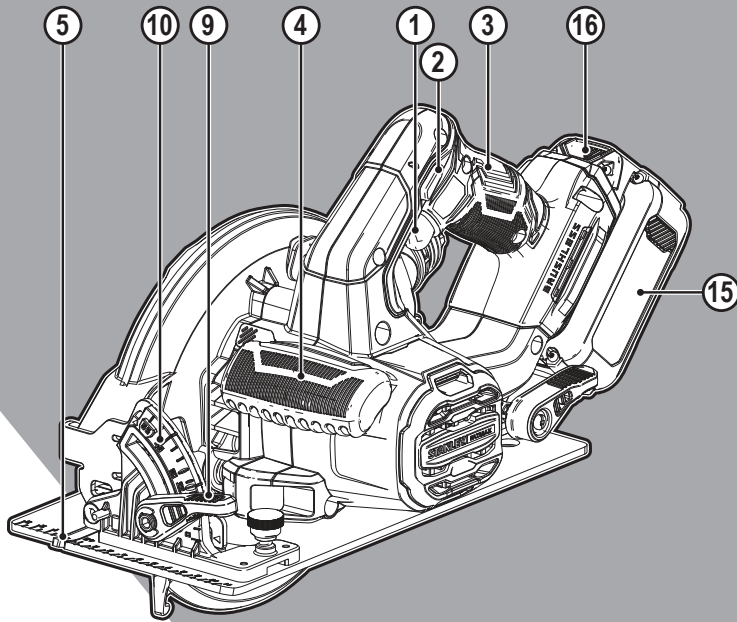


# STANLEY®

# FATMAX™

# V20

LITHIUM ION



[www.stanleytools.com](http://www.stanleytools.com)

## SBC550

---

English (*original instructions*)

6

---

繁體中文

14

---

한국어

20

---

Fig. A  
圖A  
그림 A

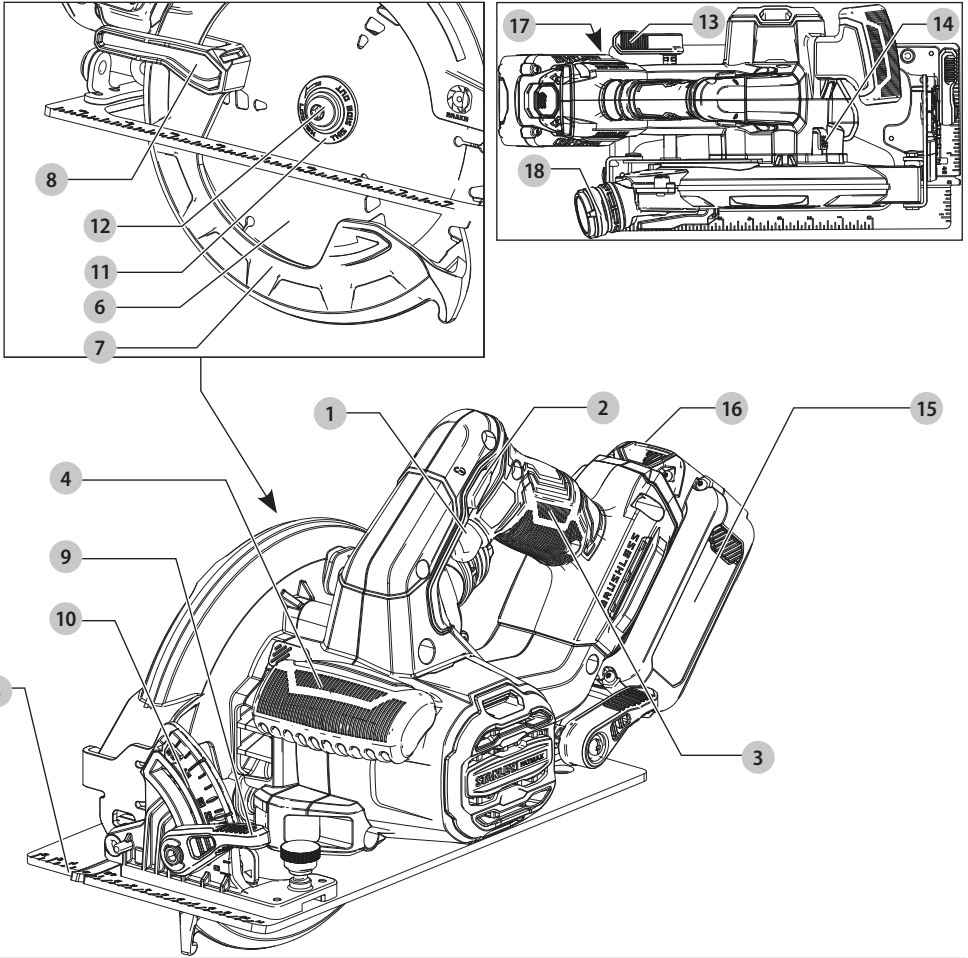


Fig. B  
圖B  
그림 B

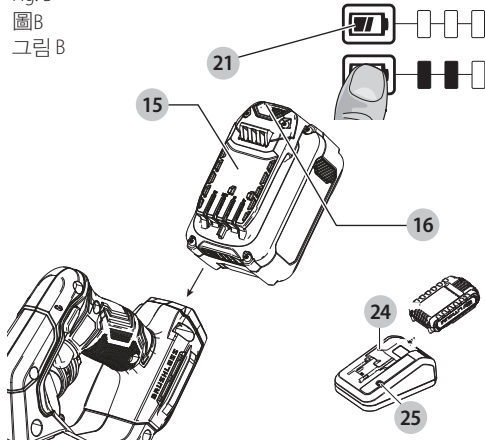


Fig. C  
圖C  
그림 C

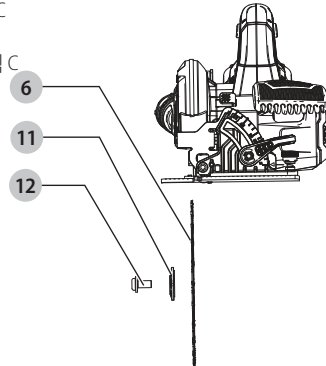


Fig. D  
圖D  
그림 D

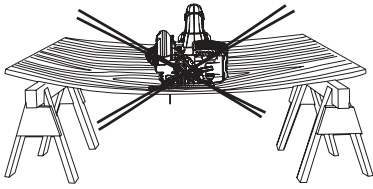


Fig. E  
圖E  
그림 E

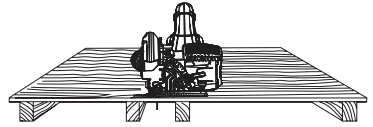


Fig. F  
圖F  
그림 F

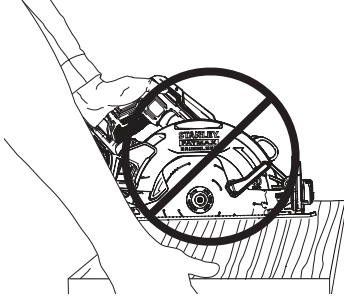


Fig. G  
圖G  
그림 G

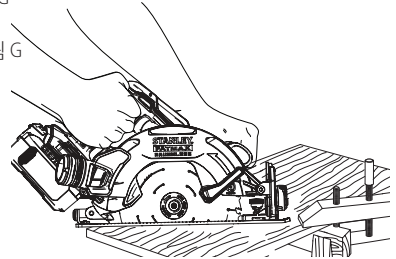


Fig. H  
圖H  
그림 H

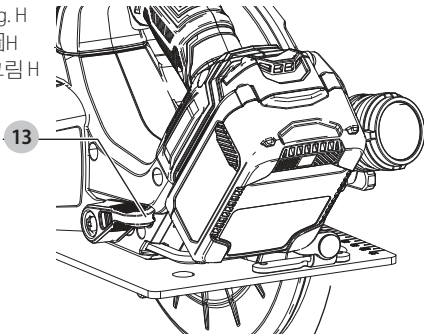


Fig. I  
圖I  
그림 I

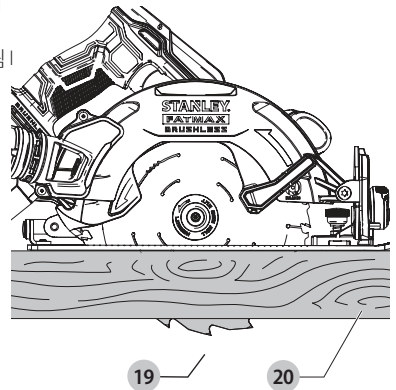


Fig. J  
圖J  
그림 J

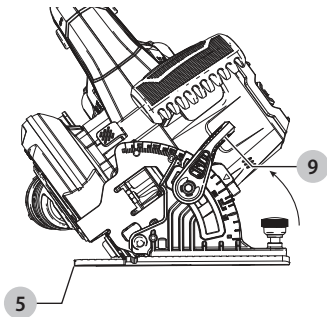


Fig. K  
圖K  
그림 K

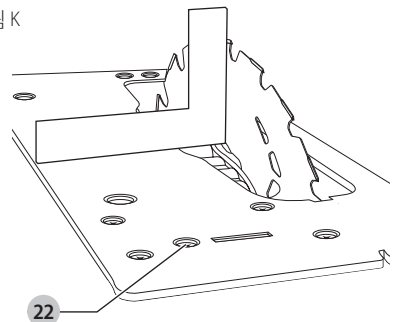


Fig. L  
圖L  
그림 L

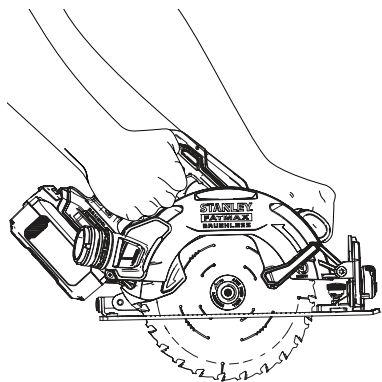
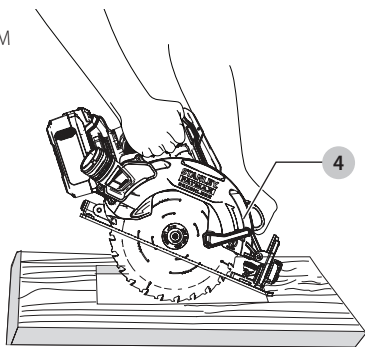


Fig. M  
圖M  
그림 M



## Intended use

Your STANLEY FATMAX SBC550 saw has been designed for sawing wood and wood products. This tool is intended for professional and private, non professional users.

## Safety instructions

### General power tool safety warnings



**Warning! Read all safety warnings, instructions, illustrations and specifications provided with this power tool.** Failure to follow all instructions listed below may result in electric shock, fire and/or serious injury.

### Save all warnings and instructions for future reference.

The term "power tool" in all of the warnings listed below refers to your mains operated (corded) power tool or battery operated (cordless) power tool.

#### 1. Work area safety

- Keep work area clean and well lit.** Cluttered or dark areas invite accidents.
- Do not operate power tools in explosive atmospheres, such as in the presence of flammable liquids, gases or dust.** Power tools create sparks which may ignite the dust or fumes.
- Keep children and bystanders away while operating a power tool.** Distractions can cause you to lose control.

#### 2. Electrical safety

- Power tool plugs must match the outlet. Never modify the plug in any way.**  
**Do not use any adapter plugs with earthed (grounded) power tools.** Unmodified plugs and matching outlets will reduce risk of electric shock.
- Avoid body contact with earthed or grounded surfaces such as pipes, radiators, ranges and refrigerators.** There is an increased risk of electric shock if your body is earthed or grounded.
- Do not expose power tools to rain or wet conditions.** Water entering a power tool will increase the risk of electric shock.
- Do not abuse the cord. Never use the cord for carrying, pulling or unplugging the power tool. Keep cord away from heat, oil, sharp edges or moving parts.** Damaged or entangled cords increase the risk of electric shock.
- When operating a power tool outdoors, use an extension cord suitable for outdoor use.** Use of a cord suitable for outdoor use reduces the risk of electric shock.

- If operating a power tool in a damp location is unavoidable, use a residual current device (RCD) protected supply.** Use of an RCD reduces the risk of electric shock.

#### 3. Personal safety

- Stay alert, watch what you are doing and use common sense when operating a power tool. Do not use a power tool while you are tired or under the influence of drugs, alcohol or medication.** A moment of inattention while operating power tools may result in serious personal injury.
- Use personal protective equipment. Always wear eye protection.** Protective equipment such as dust mask, non-skid safety shoes, hard hat, or hearing protection used for appropriate conditions will reduce personal injuries.
- Prevent unintentional starting. Ensure the switch is in the off-position before connecting to power source and/or battery pack, picking up or carrying the tool.** Carrying power tools with your finger on the switch or energising power tools that have the switch on invites accidents.
- Remove any adjusting key or wrench before turning the power tool on.** A wrench or a key left attached to a rotating part of the power tool may result in personal injury.
- Do not overreach. Keep proper footing and balance at all times.** This enables better control of the power tool in unexpected situations.
- Dress properly. Do not wear loose clothing or jewellery. Keep your hair, clothing and gloves away from moving parts.** Loose clothes, jewellery or long hair can be caught in moving parts.
- If devices are provided for the connection of dust extraction and collection facilities, ensure these are connected and properly used.** Use of dust collection can reduce dust-related hazards.
- Do not let familiarity gained from frequent use of tools allow you to become complacent and ignore tool safety principles.** A careless action can cause severe injury within a fraction of a second.

#### 4. Power tool use and care

- Do not force the power tool. Use the correct power tool for your application.**  
The correct power tool will do the job better and safer at the rate for which it was designed.
- Do not use the power tool if the switch does not turn it on and off.** Any power tool that cannot be controlled with the switch is dangerous and must be repaired.

- c. **Disconnect the plug from the power source and/or remove the battery pack, if detachable, from the power tool before making any adjustments, changing accessories, or storing power tools.** Such preventive safety measures reduce the risk of starting the power tool accidentally.
- d. **Store idle power tools out of the reach of children and do not allow persons unfamiliar with the power tool or these instructions to operate the power tool.** Power tools are dangerous in the hands of untrained users.
- e. **Maintain power tools and accessories. Check for misalignment or binding of moving parts, breakage of parts and any other condition that may affect the power tools operation. If damaged, have the power tool repaired before use.** Many accidents are caused by poorly maintained power tools.
- f. **Keep cutting tools sharp and clean.** Properly maintained cutting tools with sharp cutting edges are less likely to bind and are easier to control.
- g. **Use the power tool, accessories and tool bits etc. in accordance with these instructions, taking into account the working conditions and the work to be performed.**  
Use of the power tool for operations different from those intended could result in a hazardous situation.
- h. **Keep handles and grasping surfaces dry, clean and free from oil and grease.** Slippery handles and grasping surfaces do not allow for safe handling and control of the tool in unexpected situations.
5. **Battery tool use and care (only used for battery tools)**
- a. **Recharge only with the charger specified by the manufacturer.** A charger that is suitable for one type of battery pack may create a risk of fire when used with another battery pack.
- b. **Use power tools only with specifically designated battery packs.** Use of any other battery packs may create a risk of injury and fire.
- c. **When battery pack is not in use, keep it away from other metal objects, like paper clips, coins, keys, nails, screws, or other small metal objects, that can make a connection from one terminal to another.** Shorting the battery terminals together may cause burns or a fire.
- d. **Under abusive conditions, liquid may be ejected from the battery; avoid contact. If contact accidentally occurs, flush with water. If liquid contacts eyes, additionally seek medical help.** Liquid ejected from the battery may cause irritation or burns.
- e. **Do not use a battery pack or tool that is damaged or modified.** Damaged or modified batteries may exhibit unpredictable behaviour resulting in fire, explosion or risk of injury.
- f. **Do not expose a battery pack or tool to fire or excessive temperature.** Exposure to fire or temperature above 130 °C may cause explosion.
- g. **Follow all charging instructions and do not charge the battery pack or tool outside the temperature range specified in the instructions.** Charging improperly or at temperatures outside the specified range may damage the battery and increase the risk of fire.
6. **Service**
- a. **Have your power tool serviced by a qualified repair person using only identical replacement parts.** This will ensure that the safety of the power tool is maintained.
- b. **Never service damaged battery packs.** Service of battery packs should only be performed by the manufacturer or authorized service providers.
- Safety Instructions for All Saws**
- Cutting Procedures**
- a. **⚠ DANGER: Keep hands away from cutting area and the blade. Keep your second hand on auxiliary handle, or motor housing.** If both hands are holding the saw, they cannot be cut by the blade.
- b. **Do not reach underneath the workpiece.** The guard cannot protect you from the blade below the workpiece.
- c. **Adjust the cutting depth to the thickness of the workpiece.** Less than a full tooth of the blade teeth should be visible below the workpiece.
- d. **Never hold the workpiece in your hands or across your leg while cutting. Secure the workpiece to a stable platform.** It is important to support the work properly to minimize body exposure, blade binding, or loss of control.
- e. **Hold the power tool by insulated gripping surfaces, when performing an operation where the cutting tool may contact hidden wiring.** Contact with a “live” wire will also make exposed metal parts of the power tool “live” and could give the operator an electric shock.
- f. **When ripping always use a rip fence or straight edge guide.** This improves the accuracy of cut and reduces the chance of blade binding.
- g. **Always use blades with correct size and shape (diamond versus round) of arbour holes.** Blades that do not match the mounting hardware of the saw will run off-centre, causing loss of control.

- h. Never use damaged or incorrect blade washers or bolt.** The blade washers and bolt were specially designed for your saw, for optimum performance and safety of operation.

- g. Use extra caution when sawing into existing walls or other blind areas.** The protruding blade may cut objects that can cause kickback.

## Further Safety Instructions for All Saws

### Kickback Causes and Related Warnings

- Kickback is a sudden reaction to a pinched, jammed or misaligned saw blade, causing an uncontrolled saw to lift up and out of the workpiece toward the operator;
- When the blade is pinched or jammed tightly by the kerf closing down, the blade stalls and the motor reaction drives the unit rapidly back toward the operator;
- If the blade becomes twisted or misaligned in the cut, the teeth at the back edge of the blade can dig into the top surface of the wood causing the blade to climb out of the kerf and jump back toward the operator.

Kickback is the result of saw misuse and/or incorrect operating procedures or conditions and can be avoided by taking proper precautions as given below:

- a. Maintain a firm grip with both hands on the saw and position your arms to resist kickback forces. Position your body to either side of the blade, but not in line with the blade.**  
Kickback could cause the saw to jump backwards, but kickback forces can be controlled by the operator, if proper precautions are taken.
- b. When blade is binding, or when interrupting a cut for any reason, release the trigger and hold the saw motionless in the material until the blade comes to a complete stop. Never attempt to remove the saw from the work or pull the saw backward while the blade is in motion or kickback may occur.** Investigate and take corrective actions to eliminate the cause of blade binding.
- c. When restarting a saw in the workpiece, centre the saw blade in the kerf so that the saw teeth are not engaged into the material.** If a saw blade binds, it may walk up or kickback from the workpiece as the saw is restarted.
- d. Support large panels to minimise the risk of blade pinching and kickback.** Large panels tend to sag under their own weight. Supports must be placed under the panel on both sides, near the line of cut and near the edge of the panel.
- e. Do not use dull or damaged blades.** Unsharpened or improperly set blades produce narrow kerf causing excessive friction, blade binding and kickback.
- f. Blade depth and bevel adjusting locking levers must be tight and secure before making cut.** If blade adjustment shifts while cutting, it may cause binding and kickback.

## Safety Instructions for Saws with a Pendulum Blade Guard

### Lower Guard Function

- a. Check lower guard for proper closing before each use. Do not operate the saw if lower guard does not move freely and close instantly. Never clamp or tie the lower guard into the open position.** If the saw is accidentally dropped, lower guard may be bent. Raise the lower guard with the retracting handle and make sure it moves freely and does not touch the blade or any other part, in all angles and depths of cut.
- b. Check the operation of the lower guard spring. If the guard and the spring are not operating properly, they must be serviced before use.** Lower guard may operate sluggishly due to damaged parts, gummy deposits, or a build-up of debris.
- c. Lower guard may be retracted manually only for special cuts such as “plunge cuts” and “compound cuts”.** Raise lower guard by retracting handle and as soon as blade enters the material, the lower guard must be released. For all other sawing, the lower guard should operate automatically.
- d. Always observe that the lower guard is covering the blade before placing saw down on bench or floor.** An unprotected, coasting blade will cause the saw to walk backwards, cutting whatever is in its path. Be aware of the time it takes for the blade to stop after switch is released.

## Additional Safety Instructions for Circular Saws

- **Wear ear protectors.** Exposure to noise can cause hearing loss.
- **Wear a dust mask.** Exposure to dust particles can cause breathing difficulty and possible injury.
- **Do not use blades of larger or smaller diameter than recommended.** For the proper blade rating refer to the **technical data**. Use only the blades specified in this manual, complying with EN 847-1.
- **Use only saw blades that are marked with a speed equal or higher than the speed marked on the tool.**
- **Avoid overheating of blade tips.**
- **Install the dust extraction port onto the saw before use.**
- **Never use abrasive cut-off wheels.**
- **Do not use water feed attachments.**



- Use clamps or another practical way to secure and support the workpiece to a stable platform. Holding the work by hand or against your body leaves it unstable and may lead to loss of control.



Do not attempt to charge damaged batteries.

### Chargers

- Use your charger only to charge the battery in the tool with which it was supplied. Other batteries could burst, causing personal injury and damage.
- Never attempt to charge non-rechargeable batteries.
- Have defective cords replaced immediately.
- Do not expose the charger to water.
- Do not open the charger.
- Do not probe the charger.



The charger is intended for indoor use only.

### Electrical safety



This charger is double insulated; therefore no earth wire is required. Always check that the power supply corresponds to the voltage on the rating plate.

- If the supply cord is damaged, it must be replaced by the manufacturer or an authorised STANLEY FATMAX Service Centre in order to avoid a hazard.

### Description (Fig. A)



**Warning!** Never modify the power tool or any part of it. Damage or personal injury could result.

1. On/off switch
2. Lock off button
3. Main handle
4. Secondary handle
5. Shoe
6. Saw blade
7. Lower blade guard
8. Lower guard retracting lever
9. Bevel adjustment lever
10. Bevel angle scale
11. Outer blade clamp washer
12. Blade retaining bolt
13. Depth adjustment lever
14. Spindle lock button
15. Battery
16. Battery release button
17. Hex wrench
18. Dust extraction port



**Warning!** Do not cut any metals, masonry, glass, tile or plastic with this saw. A dull blade will cause slow, inefficient cutting overload on the saw motor, excessive splintering, and could increase the possibility of kickback.

### Residual risks

The following risks are inherent to the use of saws:

- Injuries caused by touching the rotating parts.

Even with the application of the relevant safety regulations and the implementation of safety devices, certain residual risks cannot be avoided. These are:

- Impairment of hearing.
- Risk of accidents caused by the uncovered parts of the rotating saw blade.
- Risk of injury when changing the blade.
- Risk of squeezing fingers when opening the guards.
- Health hazards caused by breathing dust developed when sawing wood, especially oak, beech and MDF.

### Safety of others

- This tool is not intended for use by persons (including children) with reduced physical, sensory or mental capabilities, or lack of experience and knowledge, unless they have been given supervision or instruction concerning use of the tool by a person responsible for their safety.
- Children should be supervised to ensure that they do not play with the appliance.

### Labels on tool

The following symbols are shown on the tool along with the date code:



**Warning!** To reduce the risk of injury, the user must read the instruction manual.

### Additional safety instructions for batteries and chargers

#### Batteries

- Never attempt to open for any reason.
- Do not expose the battery to water.
- Do not store in locations where the temperature may exceed 40 °C.
- Charge only at ambient temperatures between 10 °C and 40 °C.
- Charge only using the charger provided with the tool.
- When disposing of batteries, follow the instructions given in the section "Protecting the environment".

- **DO NOT** use any abrasive wheels.
- Use only blades designed for wood cutting.



**WARNING:** Cutting sap coated wood, and other materials may cause melted substances to accumulate on the blade tips and the body of the saw blade, increasing the risk of the blade overheating and binding while cutting.

**DO NOT** use under wet conditions or in presence of flammable liquids or gases.

**DO NOT** let children come into contact with the tool.

Supervision is required when inexperienced operators use this tool.

**DO NOT** use under wet conditions or in the presence of flammable liquids or gases.

**DO NOT** let children come into contact with the tool.

Supervision is required when inexperienced operators use this tool.

- **Young children and the infirm.** This appliance is not intended for use by young children or infirm persons without supervision.
- This product is not intended for use by persons (including children) suffering from diminished physical, sensory or mental abilities; lack of experience, knowledge or skills unless they are supervised by a person responsible for their safety. Children should never be left alone with this product.

## Fitting and removing the battery (Fig. B)

- ◆ To fit the battery (15), line it up with the receptacle on the tool. Slide the battery into the receptacle and push until the battery snaps into place.
- ◆ To remove the battery, push the release buttons (16) while at the same time pulling the battery out of the receptacle.

## Use



**WARNING:** Let the tool work at its own pace. Do not overload. This tool can be used in the right hand or the left hand.

## Charging the Battery (Fig. B)

The battery needs to be charged before first use and whenever it fails to produce sufficient power on jobs that were easily done before. The battery may become warm while charging; this is normal and does not indicate a problem.



**WARNING:** Do not charge the battery at ambient temperatures below 10 °C or above 40 °C.  
Recommended charging temperature: approx. 24 °C.

**Note:** The charger will not charge a battery if the cell temperature is below approximately 10 °C or above 40 °C. The battery should be left in the charger and the charger will begin to charge automatically when the cell temperature warms up or cools down.

- ◆ To charge the battery (15), insert it into the charger (24). The battery will only fit into the charger in one way. Do not force. Be sure that the battery is fully seated in the charger.

- ◆ Plug in the charger and switch on at the mains.

The charging indicator (25) will blink.

The charge is complete when the charging indicator (25) switches to continuously on. The charger and the battery can be left connected indefinitely. The LED will switch on as the charger occasionally tops up the battery charge.

- ◆ Charge discharged batteries within 1 week. Battery life will be greatly diminished if stored in a discharged state.

## Leaving the Battery in the Charger

The charger and battery pack can be left connected with the LED glowing indefinitely. The charger will keep the battery pack fresh and fully charged.

## Charger Diagnostics

If the charger detects a weak or damaged battery, the charging indicator (25) will flash red at a fast rate. Proceed as follows:

- ◆ Re-insert the battery (15).
- ◆ If the charging indicators continues flashing red at a fast rate, use a different battery to determine if the charging process works properly.
- ◆ If the replaced battery charges correctly, the original battery is defective and should be returned to a service centre for recycling.
- ◆ If the new battery gives the same indication as the original battery, take the charger to be tested at an authorised services centre.

**NOTE:** It may take as long as 30 minutes to determine that the battery is defective. If the battery is too hot or too cold, the LED will alternately blink red, fast and slow, one flash at each speed and repeat.

## Attaching and Removing the Blade (Fig. C)

1. Retract lower guard and assemble saw blade (6) and outer blade clamp washer (11) as shown in Figure C.
2. Depress the spindle lock button (14) while turning the blade retaining bolt (12) with the hex wrench (17) until the blade lock engages and the blade stops rotating.

**NOTE:** Hex wrench is stored on the saw as shown in Figure A. Tighten the blade retaining bolt securely with the hex wrench.

**NOTE:** Bolt has a right-handed thread. To loosen, turn counterclockwise. To tighten, turn clockwise.

**NOTE:** Never engage the blade lock while the saw is running, or engage in an effort to stop the tool. Never turn the tool on while the blade lock is engaged. Serious damage to your saw will result.

## Supporting Large Panels/Securing Workpiece (Fig. D-G)

Support large panels to minimize the risk of blade pinching and kickback. Large panels tend to sag under their own weight as shown in Figure D.

Supports must be placed under the panel on both sides, near the line of cut and near the edge of the panel (Figure E).



**WARNING:** To reduce the risk of injury Never hold the piece being cut with your hands or lay it across your leg (Figure F).

Secure the workpiece to a stable platform as shown in Figure G. It is important to support the work properly to minimize body exposure, blade binding, or loss of control.

## Cutting Depth Adjustment (Fig. G-I)

The depth of cut should be set according to the thickness of the workpiece.

1. Loosen the depth adjustment lever (13) to unlock the saw shoe (5).
2. Align the saw shoe with the desired depth of cut indicated on the scale markings on the depth strap.
3. Set depth adjustment of saw such that one tooth (19) of the blade projects below the workpiece (20) as shown in Figure I.
4. Tighten the depth adjustment lever to lock the saw shoe in place.

## Bevel Angle Adjustment (Fig. J)

This tool can be set to bevel angles between 0° and 56°.

1. Loosen the bevel adjustment lever (9) to unlock the saw shoe (5).
2. Move the saw shoe into the desired position corresponding with the bevel angle markings on the bevel angle scale (10).
3. Tighten the bevel adjustment lever to lock the saw shoe in place.
4. Confirm the accuracy of the setting by checking the bevel angle of an actual cut on a scrap piece of material.

## Shoe Adjustment for 90° Cuts (Fig. K)

The shoe (5) has been set by the factory to assure that the blade is perpendicular to the shoe at 0° bevel setting.

If realignment is needed:

1. Adjust the saw to 0° bevel.
2. Retract lower blade guard (7).
3. Loosen bevel adjustment lever (9). Place a square against the blade (6) and shoe (5) to adjust the 90° setting.
4. Turn the calibration screw (22) so that the shoe will stop at the proper angle.
5. Confirm the accuracy of the setting by checking the squareness of an actual cut on a scrap piece of material.

## On/Off Switch (Fig. A)

Saw is equipped with a switch lock-off feature to prevent unintentional operation.

1. To operate the tool, press in on the lock-off button (2) from either side of the saw and hold it in as you depress the trigger switch (1).
2. After you have depressed the trigger and the tool is running, release the lock-off button. The tool will continue to run as long as the trigger is depressed.
3. To turn the tool off, release the trigger switch.

**NOTE:** This tool has no provision for locking the tool on, and the switch should never be locked on by any other means.

## Automatic Electric Brake

Your saw is equipped with an electric blade brake which stops the saw blade within 1–2 seconds of trigger release. This is automatic and requires no adjustment.

## Lower Blade Guard



**WARNING:** Laceration Hazard. The lower blade guard is a safety feature which reduces the risk of serious personal injury. Never use the saw if the lower guard is missing, damaged, mis-assembled or not working properly. Do not rely on the lower blade guard to protect you under all circumstances. Your safety depends on following all warnings and precautions as well as proper operation of the saw. Check lower guard for proper closing before each use as outlined in **Further Safety Instructions for all Saws**. If the lower blade guard is missing or not working properly, have the saw serviced before using. To assure product safety and reliability, repair, maintenance and adjustment should be performed by an authorized service center or other qualified service organization, always using identical replacement parts.



**WARNING:** To minimize the risk of eye injury, always use eye protection. Carbide is a hard but brittle material. Foreign objects in the workpiece such as wire or nails can cause tips to crack or break. Only operate saw when proper saw blade guard is in place. Mount blade securely in proper rotation before using, and always use a clean, sharp blade.



**WARNING:** To reduce the risk of injury, It is important to support the work properly and to hold the saw firmly to prevent loss of control which could cause personal injury. Figure L illustrates typical hand support.



**WARNING:** To reduce the risk of serious personal injury, read, understand and follow all important safety warnings and instructions prior to using tool.

## Blade Selection

Your circular saw is designed for use with 185mm diameter blades. Blades must be rated for 6000 RPM operation (or higher). DO NOT use any abrasive wheels.

## General Cuts



**WARNING:** To reduce the risk of injury, remove the battery, and follow all assembly, adjustment and set up instructions.

Make sure lower guard operates. Select the proper blade for the material to be cut.

- Measure and mark work for cutting.
- Support and secure work properly (refer to *Supporting Large Panels/Securing Workpiece*).
- Use appropriate and required safety equipment (refer to *Additional Safety Information*).
- Secure and maintain work area (refer to *Safety Instructions for All Saws*).
- With battery inserted, make sure switch turns saw on and off.

## Sawing



**WARNING:** To reduce the risk of serious personal injury, always hold the tool with both hands.

- Keep your body positioned to either side of the blade, but not in line with the saw blade. Kickback could cause the saw to jump backwards. Refer to *Further Safety Instructions for all Saws* and *Kickback Causes and Related Warnings*.
- Let the blade run freely for a few seconds before starting the cut.
- Apply only a gentle pressure to the tool while performing the cut.
- Work with the shoe pressed against the workpiece.

## Hints for Optimum Use

- As some splintering along the line of cut on the top side of the workpiece cannot be avoided, cut on the side where splintering is acceptable.
- Where splintering is to be minimized, e.g. when cutting laminates, clamp a piece of plywood onto the top of the workpiece.

## Pocket Cutting (Fig. M)



**WARNING:** Never tie the blade guard in a raised position. Never move the saw backwards when pocket cutting. This may cause the unit to raise up off the work surface which could cause injury.

A pocket cut is one that is made when the edge of the material does not push the lower guard open, but the bottom edge of the rotating blade cuts into the middle of the material.

1. Adjust the shoe (5) so the blade cuts at desired depth.
2. Tilt the saw forward and rest front of the shoe on material to be cut.
3. Using the retracting lever, retract lower blade guard to an upward position. Lower rear of shoe until blade teeth almost touch cutting line.
4. Release the blade guard (its contact with the work will keep it in position to open freely as you start the cut). Remove hand from guard lever and firmly grip secondary handle (4), as shown in Figure M. Position your body and arm to allow you to resist kickback if it occurs.
5. Make sure blade is not in contact with cutting surface before starting saw.
6. Start the motor, allow saw to come to full speed, and then gradually lower the saw until its shoe rests flat on the material to be cut. Advance saw along the cutting line until cut is completed.
7. Release trigger and allow blade to stop completely before withdrawing the blade from the material.
8. When starting each new cut, repeat as above.

## Ripping

A rip fence is supplied with your tool.

Ripping is the process of cutting wider boards into narrower strips – cutting grain lengthwise. Hand guiding is more difficult for this type of sawing and the use of a rip fence is recommended.

## Dust Extraction



**WARNING:** Risk of dust inhalation. To reduce the risk of personal injury, **ALWAYS** wear an approved dust mask.



**Warning:** **ALWAYS** use a vacuum extractor designed in compliance with the applicable directives regarding dust emission when sawing wood. Vacuum hoses of most common vacuum cleaners will fit directly into the dust extraction outlet.

A dust extraction port (18) is supplied with your tool. The dust extraction port allows you to connect the tool to an external dust extractor.

## Maintenance

Your STANLEY FATMAX tool has been designed to operate over a long period of time with a minimum of maintenance. Continuous satisfactory operation depends upon proper tool care and regular cleaning.

Your charger does not require any maintenance apart from regular cleaning.



**WARNING:** Before performing any maintenance on the tool, remove the battery from the tool. Unplug the charger before cleaning it.

- Regularly clean the ventilation slots in your tool and charger using a soft brush or dry cloth.
- Regularly clean the motor housing using a damp cloth. Do not use any abrasive or solvent-based cleaner.

## Protecting the environment



Separate collection. Products and batteries marked with this symbol must not be disposed of with normal household waste.

Products and batteries contain materials that can be recovered or recycled, reducing demand for raw materials. Please recycle electrical products and batteries according to local provisions. Further information is available at [www.2helpU.com](http://www.2helpU.com)

## Technical data

		SBC550	
Input voltage	$V_{dc}$	18V (20V MAX)	
No-load speed	$\text{min}^{-1}$	5 000	
Max depth of cut	mm	65	
Max depth of cut at 45° bevel	mm	50	
Blade diameter	mm	185	
Blade bore(KR)	mm	19	
Blade bore(TW)	mm	25.4	
Blade bore(B1)	mm	20	
Blade tip width	mm	1.8	
Weight	kg	3.2	

Charger		SC125	SC200	SC400 SC401
Input Voltage	$V_{ac}$	220-240	220-240	220-240
Output Voltage	$V_{dc}$	18V (20V MAX)	18V (20V MAX)	18V (20V MAX)
Current	A	1.25	2	4

Battery		SB201	SB202	SB204	SB206
Voltage	$V_{dc}$	18V (20V MAX)	18V (20V MAX)	18V (20V MAX)	18V (20V MAX)
Capacity	Ah	1.5	2.0	4.0	6.0

Battery		SB201	SB202	SB204	SB206
Type		Li-Ion	Li-Ion	Li-Ion	Li-Ion

## SERVICE INFORMATION

STANLEY offers a full network of company-owned and authorized service locations. All STANLEY Service Centers are staffed with trained personnel to provide customers with efficient and reliable power tool service. For more information about our authorized service centers and if you need technical advice, repair, or genuine factory replacement parts, contact the STANLEY location nearest you or visit us at [www.stanleytools.com](http://www.stanleytools.com).

## 設計用途

您的STANLEY FATMAX SBC550圓鋸機僅被設計用於鋸切木材、塑料和有色金屬。該工具適用於專業用戶，同時也適合私人、非專業用戶使用。請注意！各地區上市產品/配件不盡相同，請依台灣繁體中文說明書的內容為主

## 安全說明

### 電動工具一般安全警告



**警告！** 閱讀隨該電動工具提供的所有安全警告、說明、圖解和規定。如不遵守以下任何警告和說明，可能會導致觸電、火災和/或嚴重傷害。

保存所有警告和說明書以備今後查閱。

以下所有警告中列出的“電動工具”指的是電驅動(有線)電動工具或電池驅動(無線)電動工具。

### 1. 工作場地安全

- 請保持工作場地清潔明亮。混亂或黑暗的場地會引發事故。
- 請勿在易爆環境，如有易燃液體、氣體或粉塵的環境中操作電動工具。電動工具產生的火花可能會引燃粉塵或煙霧。
- 請等待兒童和旁觀者離開之後才操縱電動工具。分心會導致你疏於控制。

### 2. 電氣安全

- 電動工具插頭必須與插座相符。切勿以任何方式改裝插頭。需接地的電動工具不能使用任何配接器插頭。使用未經改裝的插頭與相符的插座可降低觸電風險。
- 避免人體接觸接地表面，如管道、散熱片、爐灶和冰箱。若你的身體接地，會增加觸電的風險。
- 不得將電動工具暴露在雨中或潮濕環境中。水進入電動工具會增加觸電風險。
- 切勿濫用電線。請勿使用電線來搬運、拉動電動工具或拔出插頭。讓電線遠離熱、油、銳邊和活動部件。受損或纏繞的電線會增加觸電危險。
- 若要在戶外使用電動工具，請使用適合戶外使用的延長電線。採用適合室外使用的電線可降低觸電危險。
- 若必須在潮濕環境中操作電動工具，請使用受漏電保護器(RCD)保護的電源供應器。使用RCD可降低觸電風險。

### 3. 人身安全

- 保持警覺；在操作電動工具時，請留意所執行的操作並按照一般的程式執行。請勿在疲倦或在受到毒品、酒精或藥品的影響時使用電動工具。操作電動工具時，一時的注意力分散可能會導致嚴重人身傷害。
- 使用個人防護裝置。始終佩戴護目裝置。防護設備(例如在適當條件下使用的防塵面具、防滑安全鞋、安全帽或聽力保護裝置)可減少人身傷害。
- 避免意外啟動。連接電源及/或電池組、舉抬或搬運電動工具之前，請確定開關處於關閉位置。若搬運電動工具時將手指放在開關上，或者在電動工具開關開啟時將插頭插入電源插座，這兩種行為都會引發事故。

- 啟動電動工具之前，請卸下所有的調整鑰匙或扳手。遺留在電動工具旋轉部件上的扳手或鑰匙會導致人身傷害。
- 不要過度伸張雙手。時刻注意腳下與身體的平衡。如此可在意外情況下更好地控制電動工具。
- 適當穿著。請勿穿寬鬆衣服或佩戴飾品。讓你的頭髮、衣服和手套遠離活動部件。寬鬆衣服、佩飾或長髮可能會捲入活動部件中。
- 若配備用於連接排屑裝置、集塵設備的裝置，請確定正確連接和使用這些裝置。使用集塵設備可減少與粉塵有關的危險。
- 請勿因頻繁使用而對工具特別熟悉，讓你變得自滿而忽略工具的安全原則。粗心操作可以在片刻間造成嚴重傷害。

### 4. 電動工具的使用與注意事項

- 請勿超負荷使用電動工具。請根據你的應用使用正確的電動工具。若使用的電動工具正確無誤，該工具能以設計額定值更有效、更安全地執行工作。
- 若開關不能開啟或關閉電源，切勿使用該電動工具。若開關無法控制電動工具，則電動工具存在危險，必須予以維修。
- 在執行任何調整、更換配件或儲存工具之前，必須從電源上拔掉插頭及/或卸下電池組。此類防護性安全措施可降低電動工具意外啟動的風險。
- 將閒置的電動工具儲存在兒童無法接觸的地方，並且不要讓不熟悉電動工具或對這些使用指示不瞭解的人員操作電動工具。未經訓練的使用者操作電動工具會發生危險。
- 維護電動工具。檢查活動部件是否對準或卡住、是否存在任何破損情況，或任何能影響電動工具運行的其他情況。若有損毀，必須在使用之前修理電動工具。許多事故都是由於電動工具欠缺維護所導致。
- 保持切削工具鋒利和清潔。妥善維護、刀刃鋒利的刀具卡住的可能性更低，更易於控制。
- 使用電動工具、配件和工具刀頭等時，請遵循這些指示使用，且指示須包含工作環境和所要執行工作的注意事項。若使用電動工具執行與設計用途不相符的操作，會導致危險。
- 手柄和抓握表面都應保持乾燥、清潔及遠離油脂。光滑手柄和抓握表面不便在意外情況下對工具進行安全處理與控制。

### 5. 電池工具的使用與注意事項

- 只能使用製造廠商指定的充電器為電池充電。使用僅適合一種電池組的充電器為其他類型的電池組充電會導致火災危險。
- 請使用原廠的電動工具電池組。使用其他非原廠的電池組會導致人身傷害和火災危險。
- 不使用電池組時，請將其遠離如迴紋針、硬幣、鑰匙、釘子、螺絲以及其他可連通電池兩極的金屬物品。將電池兩極短路會導致灼傷或火災。

- d. 濫用電池的情況下，液體會從電池中噴出；避免與液體接觸。若不小心接觸液體，請用清水沖洗。若液體噴濺到眼睛上，沖洗之後還應進行治療。從電池噴出的液體會刺激皮膚或造成灼傷。
- e. 請勿使用已經損壞或改動的電池組或工具。損壞或改動的電池可能表現出不可預計的行為，導致火災、爆炸或傷害風險。
- f. 請勿讓電池組或工具暴露於火中或過高溫度的環境中。電池組暴露於火或高於130°C的高溫中，可能會導致爆炸。
- g. 請遵循所有充電說明，請勿在說明中規定的溫度範圍以外的環境對電池組或工具充電。不當或在指定範圍以外的溫度下充電，可能導致電池損壞並增加火災風險。

## 6. 檢修

- a. 電動工具之修理，僅可由認證的技術人員執行。請勿交由非STANLEY認證服務中心的技術人員進行修理、維護、調整。若產品經由非STANLEY認證的維修中心拆解、組裝、調整，恕無法適用STANLEY保修條款。為充份發揮其功能，修理、維護、調整請務必使用原廠零件。STANLEY認證服務中心擁有保修條款解釋權。
- b. 切勿維修損毀的電池組。電池組的維修應僅由製造商或授權服務提供商執行。

## 面向所有電鋸的安全指示

### 切割流程

- a. **△危險：請讓雙手遠離切割區域和鋸片。**另一只手始終握住輔助手柄或放在電機外殼上。如果雙手都握住電鋸，就不會被鋸片切到。
- b. 請勿觸碰工件下方區域。防護罩無法在工件下方為您提供保護。
- c. 根據工件厚度，調整切割深度。在工件下方應該只能看到稍稍露出的鋸片鋸齒。
- d. 在切割時，不得用手握住工件，或將工件放在腿上。請將工件固定在穩定的平臺上。應為作業提供恰當的支撐，讓身體暴露程度、鋸片纏繞或失控將到最低，這一點很重要。
- e. 當在切割附件有可能切割到暗線的場所進行操作時，要通過絕緣握持面來握住電動工具。切割附件碰到一根帶電導線可能會使電動工具的外露金屬零件帶電並使操作者發生觸電危險。
- f. 在割裂時，務必使用鋸柵或直邊導軌。這能提高切割精度，並降低鋸片纏繞的機率。
- g. 務必使用心軸孔大小和形狀（金鑽石形vs.圓形）都適合的鋸片。與電鋸安裝硬體不匹配的鋸片會偏離中心，造成失控。
- h. 不得使用受損或不正確的鋸片墊片或插銷。鋸片墊片和螺栓是專門針對您的電鋸而設計的，以實現最優性能，保證操作安全。

## 面向所有電鋸的進一步安全說明

### 造成反彈的原因和相關警告

- 反彈是對被夾住、纏繞或未能對齊的鋸片所做出的突然反應，這會造成電鋸失控而被拉起，離開工件並轉向操作人員。

- 當被切縫夾住或纏繞，鋸片就會停止，而由此產生的運動反應會讓工具迅速向操作人員回彈。
- 如果鋸片在切割中變得扭曲或未能對準，那麼鋸片後刃的鋸齒會紮入木材表面，讓鋸片爬出切縫並向操作人員回彈。

反彈是電動工具誤用和/或不正確操作工序或條件的結果，可以通過以下給出的適當預防措施得以避免。

- a. 雙手緊握電鋸，雙臂保持在正確位置，抵抗反彈力。讓自己站在鋸片的任何一側，但不要與鋸片處在同一條直線上。反彈會讓電鋸向後跳動，但如果操作人員採取適當的保護措施，則可以控制反彈力。
- b. 如果鋸片被卡住，或因任何原因導致切割終端，請鬆開扳機開關，並讓電鋸停留在材料中不要動，直到鋸片完全停止。決不要試圖在鋸片仍然旋轉時讓電鋸離開作業環境或將電鋸往回拉，否則會發生反彈。調查並採取校正措施以消除鋸片卡住的原因。
- c. 當在工件中重啟電鋸時，要讓電鋸處在切縫的正中央，不要讓鋸齒卡在材料中。如果鋸片被纏住，可能會在電鋸重啟時向上走或從工件中反彈。
- d. 支撐住板材可使得鋸片卡住和反彈的危險降到最低。大型板材會憑藉自重而下垂。必須在板材下的兩側，靠近切割線以及板材邊緣處放置支撐。
- e. 請勿使用鈍化或受損的鋸片。不鋒利或設置不當的鋸片會形成狹窄的切縫，進而產生過大的摩擦，導致鋸片被束縛或反彈。
- f. 在開始切割前，務必要確保鋸片的深度和斜角調整鎖定轉動桿是牢固的。如果在切割時，鋸片調整出現偏移，可能會造成束縛或反彈。
- g. 當切入現有的牆體或其他盲區時，要格外小心。伸出的鋸片可能會切到造成反彈的物體。

## 面向帶有擺葉鋸片護板的電鋸的安全說明

### 下護板功能

- a. 每次使用前，先檢查下防護罩，確保能正常關閉。如果下防護罩無法自由活動，不能順利關閉，那麼請勿使用該電鋸。不得用夾子或繩索將下防護罩固定在打開的位置。如果電鋸不慎掉落，會使下防護罩彎折。用伸縮手柄拉起下防護罩，確保它能自由活動，而且在任何角度和切割深度上，都不會觸碰到鋸片或任何其他部件。
- b. 檢查下防護罩彈簧的情況。如果防護罩和彈簧都無法正常活動，那麼必須在使用前先進行維修。下防護罩可能會因為受損部件、黏性沉積物或累積的碎屑而活動緩慢。
- c. 只有在進行特種切割時，才能手動拉起下防護罩，例如“切入式切割”和“複合切割”。用伸縮手柄拉起下防護罩，而且在鋸片切入材料時，必須立即鬆開下防護罩。對於所有其他的切割，下防護罩應該自動運轉。
- d. 在將電鋸放在工作臺或地板上之前，務必注意，下防護罩需要覆蓋鋸片。未受保護、向下滑行的鋸片會讓鋸片向後運行，並切割沿途的任何物體。應注意鬆開關閉後，鋸片停止轉動所需的時間。

## 面向圓鋸的附加安全說明

- 佩戴聽力保護器。暴露在雜訊環境中可能會造成聽力喪失。
- 佩戴防塵口罩。暴露在粉塵中可能會引起呼吸困難並可能導致受傷。
- 請勿使用大於或小於推薦直徑的鋸片。如需瞭解適當的鋸片額定值，請參見技術參數。僅使用手冊中規定的鋸片，遵守EN847-1的規定。
- 不得使用帶有研磨性的切割砂輪。
- 請勿使用給水附件。
- 使用夾具或其他實用的方法，將工件固定、支撐到穩定的平臺上。手持或用身體頂住工件都是不穩定的，會導致操作失控。
- 僅使用標記速度等於或高於工具上所標記的速度的鋸片。
- 避免鋸片尖端出現過熱。
- 使用前，在電鋸上安裝集塵接口。

- 應立即更換有缺陷的電線。
- 請勿讓充電器接觸到水。
- 請勿拆開充電器。



本工具僅供室內使用。

## 電氣安全



您的充電器是雙層絕緣；因此無需接電線。請務必檢查電源電壓是否和銘牌上的電壓一致。

- 如果電線損壞，必須由產商或授權STANLEY FATMAX服務中心負責更換，避免出現危險。

## 說明 (圖 A)



**警告：**請勿改動本電動工具或其任何部件，否則可能導致損壞或人身傷害。

1. 開關
2. 鎖定按鈕
3. 主要手柄
4. 次要手柄
5. 底座
6. 鋸片
7. 下鋸片護板
8. 下護板伸縮桿
9. 斜角調節桿
10. 斜角調整
11. 外鋸片夾墊片
12. 鋸片固定螺絲
13. 深度調節桿
14. 主軸鎖按鈕
15. 電池
16. 電池釋放按鈕
17. 六角扳手
18. 除塵口



**警告：**請勿用該電鋸鋸切任何金屬、磚石結構、玻璃、瓦片或塑料。鋸片鈍化會讓鋸切變得緩慢、低效，讓電鋸過載，產生過多碎屑，同時會增加回彈的風險。

- 請勿使用受損的打磨砂輪。
- 僅使用鋸切木材專用鋸片。



**警告：**鋸切帶有樹液塗層的木材和其他物料可能會導致融化的物質不斷累積在鋸齒和鋸片上，增加鋸片在鋸切時過熱和卡頓的風險。

請勿在潮濕環境中或在易燃液體或氣體存在的環境中使用本工具。請勿讓兒童接觸本工具。缺乏經驗的操作員需要在監督下使用本工具。

請勿在潮濕環境中或在易燃液體或氣體存在的環境中使用本工具。

請勿讓兒童接觸本工具。缺乏經驗的操作員需要在監督下使用本工具。

- 幼童和體弱者。幼童和體弱者不適合在無監督下使用本工具。

## 剩餘風險

以下風險是使用電鋸時存在的固有風險：

- 接觸旋轉/運動部件時所導致的傷害風險。

即使遵循相關安全規定並採用安全裝置，仍然無法避免某些剩餘風險。此類風險包括：

- 聽力受損。
- 轉動鋸片上未覆蓋零件造成事故的風險。
- 更換鋸片時的受傷風險。
- 打開護蓋時擠壓手指的風險。
- 吸入工具使用過程中產生的粉塵導致的健康危害 (例如，鋸切木材，特別是橡木、山毛櫸和中密度纖維板時)。

## 他人的安全

- 本產品不適合體力、感官或智力不足以及缺乏經驗、知識或技能的人員 (包括兒童) 使用，除非一旁有能為他們的安全負責的監督人員。
- 應看管好兒童，以確保他們不將此設備當做玩具來玩。

## 工具上的標籤

本工具上具有以下符號與日期代碼：



**警告！**為降低傷害風險，請用戶在使用前閱讀使用手冊。

## 針對電池和充電器的額外安全說明

### 電池

- 不得以任何理由嘗試拆開電池組。
- 請勿讓電池暴露在水中。
- 請勿存放在溫度超過40°C的環境中。
- 僅在溫度10°C到40°C之間的環境中充電。
- 僅用隨工具一同提供的充電器充電。
- 在處理電池時，請遵循“保護環境”部分的說明進行操作。



請勿試圖對損壞的電池充電。

### 充電器

- 僅用您的STANLEY FATMAX充電器為隨工具一同提供的電池充電。其它電池可能會引起爆裂，並導致人身傷害和損害。
- 不得試圖為不可充電的電池充電。



- 體力、感覺或智力不足，以及缺乏經驗、知識或技能的人員（包括兒童）不適合使用本產品，除非一旁有能為他們安全負責的監督人員。請勿讓兒童單獨接觸本工具。

## 安裝和拆除電池 (圖 B)

- 如需安裝電池 (15)，請將其與工具上的插座對齊。將電池滑入插座並推動電池，直到電池卡入位。
- 如需拆除電池，請按下釋放按鈕 (16)，同時將電池從插座中拔出。

## 使用



**警告：**讓工具按照自己的節奏運行。請勿超載。該工具可供慣用左手或右手的用戶使用。

## 為電池充電 (圖 B)

在首次使用以前，以及在電池不能提供順利完成工作所需的電力時，需要為電池充電。電池在充電時可能會發熱；這是正常現象，並非出現問題。



**警告：**請勿在溫度低於10°C或高於40°C的環境中為電池充電。建議充電溫度為：約24°C。

**注意：**如果電池溫度低於10°C或高於40°C，則充電器不會為電池充電。

應將電池留在充電器中，當電池溫度回升或冷卻後，充電器將自動為電池充電。

- 如需為電池 (15) 充電，請將其插入充電器 (24)。電池插入充電器的方式是唯一的。

請勿強行插入電池。確保電池被完全固定在充電器中。

- 插入充電器並接通電源。

充電指示燈 (25) 將開始閃爍。

充電指示燈 (25) 變成常亮時，表示充電完成。充電器和電池可以一直保持連接。當充電器偶爾為電池充電時，LED燈將會亮起。

- 當主機突然停止動作，或無法輕鬆完成以往的作業量時，請馬上充電。

## 將電池留在充電器中。

可以讓充電器和電池組始終保持聯通，同時LED會常亮。充電器將讓電池組維持電量剛被充滿的狀態。

## 充電診斷

如果充電器發現電池電量不足或受損，那麼充電指示燈 (25) 就會快速閃爍紅光。請按以下流程處理：

- 重新插入電池 (15)。
- 如果充電指示燈繼續快速閃爍紅光，請更換電池以確定充電過程能否正常運行。
- 如果更換後的電池能夠正常充電，那麼就表示原先的電池有故障，應將其送至服務中心進行回收處理。
- 如果更換新電池後，依然無法正常充電，請將充電器送至授權服務中心進行檢測。

**注意：**可能需要30分鐘才能確定電池是否損壞。如果電池過熱或過冷，LED燈會閃爍紅光並且會快慢交替地閃爍，每種速度閃爍一次，然後重複循環。

## 安裝和拆除鋸片 (圖 C)

1. 縮回下護板並安裝鋸片 (6) 和外鋸片夾緊墊片 (11)，如圖C所示。
2. 按下主軸鎖按鈕 (14)，同時用六角扳手 (17) 轉動鋸片固定螺絲 (12)，直到鋸片鎖啮合且鋸片停止轉動為止。

**注意：**六角扳手在電鋸上的存放位置如圖A所示。用六角扳手將鋸片固定螺絲擰緊。

**注意：**螺絲上帶有右旋螺旋紋。如需鬆開螺絲，請逆時針轉動。如需擰緊螺絲，請順時針轉動。

**注意：**不得在電鋸仍在運行時鎖上鋸片鎖，或試圖通過鎖上鋸片鎖以讓工具停止運轉。不得在鋸片鎖被鎖住時打開工具。這會對您造成嚴重傷害。

## 支撐大型板材/固定工件 (圖 D-G)

支撐住板材可將鋸片卡頓和回彈風險降到最低。大板材會由於自重而下垂，如圖D所示。

必須在板材靠近切割線處和靠近板材邊緣處提供支撐。



**警告：**為降低受傷風險，不得手持正被鋸切的工件，或將正被鋸切的工件置於腿上 (圖F)。

將工件固定在穩定平台上，如圖G所示。妥善支撐工件很重要，這樣能將身體暴露、鋸片卡頓或失控的可能降到最低。

## 鋸切深度調整 (圖 G-I)

應根據工件厚度設定鋸切深度。

1. 鬆開深度調節桿 (13)，解鎖電鋸底座 (5)。
2. 將電鋸底座與深度帶上比例標記的理想鋸切深度對齊。
3. 請這樣調整電鋸的鋸切深度：如圖I所示，讓一個鋸齒 (19) 能夠突破工件 (20)。
4. 擰緊深度調節桿 (13)，將電鋸底座鎖住並固定。

## 斜角調整 (圖 J)

該工具的斜角設定範圍在0°到56°之間。

1. 鬆開斜角調節桿 (9)，鬆開電鋸底座 (5)。
2. 將電鋸底座移動至理想位置，與斜角標尺 (10) 上的斜角標記相對應。
3. 擰緊斜角調節桿，將電鋸底座鎖住並固定。
4. 在廢料上進行試切，以檢查斜角設置是否準確。

## 調整底座進行90°鋸切 (圖 K)

工廠對底座 (5) 已進行設定，以確保電鋸在0°斜角上與底座保持垂直。

如需重新對齊：

1. 將電鋸調整到0°斜角。
2. 收回下護鋸片板 (7)。
3. 鬆開斜角調節桿 (9)。用一個方塊抵住鋸片 (6) 和底座 (5)，以調整90°的設置。
4. 擰緊校準螺絲 (22)，讓底座在適當角度上停住。
5. 在廢料上進行試切，以檢查實際鋸切的垂直度。

## 開關 (圖 A)

電鋸帶有開關鎖定特色功能，可預防意外啟動。

1. 如需操作工具，請按下位於電鋸任意一側的鎖定按鈕 (2)，並在扣下扳機開關 (1) 的同時按住該按鈕。
2. 扣下扳機開關後，工具開始運轉，此時鬆開鎖定按鈕。只要持續扣下扳機開關，工具就會一直運行。
3. 如需關閉工具，請鬆開扳機開關。

**注意：**該工具無法將開關鎖定在“開”的位置，而且不得用任何方式這樣做。

## 自動電氣制動

電鋸配有電氣鋸片制動，能夠在鬆開扳機開關後的1-2秒內讓鋸片停止轉動。這是自動機制，無需調整。

## 下鋸片護板



**警告：**撕裂傷危險。下鋸片護板是特色安全功能，可降低嚴重人員受傷的風險。如果下鋸片護板缺失、受損、安裝不當或無法正常運轉，不得使用電鋸。請勿希望通過下鋸片護板能在任何情況下保護您的安全。您的安全取決於遵守所有警告提示和預防措施，以及適當操作電鋸。請根據“**面向所有電鋸的進一步安全說明**”的指示，在每次使用前，先檢查下護板情況，看它能否順利關閉。如果下鋸片護板缺失或無法正常運轉，請先將電鋸送修，然後再使用。為確保產品的安全性和可靠性，它的維修、維護和調整均應由獲得授權的維修中心或其他具備資質的機構進行，務必使用相同的替換部件。



**警告：**為降低眼睛受傷的風險，務必採取眼部防護措施。碳合金是一種質地堅硬但易碎的物料。工件中的異物，例如電線或釘子，或讓鋸齒破裂或受損。僅在安裝有適當鋸片護板的情況下操作電鋸。使用前，請按照正確轉向牢固安裝鋸片，務必使用清潔、鋒利的鋸片。



**警告：**為降低受傷風險，務必要為工件提供妥善支撐，同時握緊電鋸，防止失控，從而導致嚴重人身傷害。圖L顯示的是典型的手部支撐。



**警告：**為降低嚴重人身傷害的風險，請先認真閱讀、理解並遵守所有重要的安全警告和說明，然後再使用工具。

## 鋸片選擇

您的圓鋸被設計與直徑為185 mm的鋸片搭配使用。鋸片額定轉速必須達到6000 RPM (或更高)。請勿使用任何打磨砂輪。

## 一般性的鋸切



**警告：**為降低受傷風險，請拆除電池，並遵守所有的組裝、調整和安裝說明。

確保下護板能夠正常運轉。針對待切割的材料選擇適當的鋸片。

- 測量待切工件並做好標記。
- 為工件提供適當的支撐和固定 (參見**支撐大型板材/固定工件**)。
- 請使用適當且符合要求的設備 (參見**額外安全信息**)。
- 固定並維持工作區 (參見**面向所有電鋸的安全說明**)。

- 在插入電池的情況下，請確保能通過開關開啟和關閉電鋸。

## 鋸切



**警告：**為了降低嚴重人身傷害的風險，請務必雙手握持工具。

- 讓身體位於鋸片的任一側，但請勿與鋸片對齊。回彈會導致電鋸向後跳起。參見“**面向所有電鋸的安全說明**”和“**回彈原因和相關警告**”。
- 先讓鋸片空轉數秒，再開始鋸切。
- 在鋸切時，輕輕地對工具施加壓力。
- 在工作時，請讓底座抵住工件。

## 最佳使用提示

- 在沿鋸切線鋸切工件頂部時，一些碎屑是無法避免的，因此請在能允許出現碎屑的一面鋸切。
- 將碎屑數量降到最低，例如鋸切層壓板時，將一塊膠合板夾在工件頂部。

## 盲切 (圖 M)



**警告：**不得將鋸片護板綁定在抬起的位置。不得在盲切時，向後移動電鋸。這可能會讓電鋸向上脫離工件表面，從而造成傷害。

當物料邊緣未能推開下護板，但轉動鋸片的底部邊緣卻切入物料的中間位置時，需要進行盲切。

1. 調整底座 (5)，讓鋸片能夠在理想深度上鋸切。
2. 向前傾斜電鋸並將底座證明置於待切物料上。
3. 用伸縮桿收回下鋸片護板，使其達到朝上的位置。放下底座後部，直到鋸齒幾乎觸碰到鋸切線為止。
4. 鬆開鋸片護板 (它與工件的接觸將使其在您開始鋸切時能保持在能夠自由開合的位置)。將手從護板上拿開，同時緊握次要手柄 (4)，如圖M所示。調整身體和手臂的位置，讓您在出現回彈的情況下能夠應對。
5. 在啟動電鋸前，請確保鋸片不要接觸待切表面。
6. 啟動電機，讓電鋸全速轉動，然後再緩慢下壓電鋸，直到底座置於待切物料上。沿著鋸切線向前推進，直到完成鋸切為止。
7. 鬆開扳機開關，讓鋸片完全停止，然後再請鋸片從物料中取出。
8. 每次開始新的鋸切前，請重複上述步驟。

## 縱切

您的工具會隨附鋸齒。

縱切是將較寬板材鋸切為細條的過程——沿紋理鋸切。針對這種鋸切的手部導向難度更高，建議使用鋸齒。

## 除塵



**警告：**粉塵吸入的風險為降低人身傷害的風險，務必穿戴獲得批准的防塵面罩。



**警告：**針對鋸切木材時的粉塵排放，請務必使用符合適用法令要求的真空除塵器。最常見的真空吸塵器的真空軟管能直接接入除塵出口。

您的工具附帶除塵口 (18)。除塵口讓您能將工具與外部除塵器連接。

## 維護

您的STANLEY FATMAX工具設計精良，可以長期使用，僅需極少維護。要持續獲得令人滿意的工作效果，需要進行合適的工具維護和定期清潔。

除了定期清潔，您的充電器無需任何維護。



**警告：**在對工具進行任何維護前，請從工具上拆除電池。先切斷充電器的電源，然後再進行清潔。

- 用軟刷或幹布定期清潔您工具和充電器的通風槽。
- 定期使用濕布清潔電機外殼。請勿使用任何研磨性或溶劑型清潔劑。

## 保護環境



分類回收由此符號標記的產品和電池不得與普通家庭垃圾一起處理。

產品和電池組合可恢復或回收的材料，從而降低對原材料的需求。請根據當地規定回收電子產品和電池。更多信息，請訪問 [www.2helpU.com](http://www.2helpU.com)。

## 技術參數

		SBC550
輸入電壓	V <sub>dc</sub>	18V (20V MAX)
空載轉速	min <sup>-1</sup>	5 000
最大鋸切深度	mm	65
最大鋸切深度，在45°斜角	mm	50
鋸片直徑	mm	185
鋸片孔徑 (KR)	mm	19
鋸片孔徑 (TW)	mm	25.4
鋸片孔徑 (B1)	mm	20
鋸齒寬度	mm	1.8
重量	kg	3.2

充電器		SC125	SC200	SC400 SC401
輸入電壓	V <sub>AC</sub>	110	110	110
輸出電壓	V <sub>DC</sub>	18V (20V MAX)	18V (20V MAX)	18V (20V MAX)

充電器		SC125	SC200	SC400 SC401
電流	A	1.25	2	4

電池		SB201	SB202	SB204	SB206
電壓	V <sub>DC</sub>	18V (20V MAX)	18V (20V MAX)	18V (20V MAX)	18V (20V MAX)
容量	Ah	1.5	2.0	4.0	6.0
類型		Li-Ion	Li-Ion	Li-Ion	Li-Ion

最大初始電池電壓 (在無工作負載的情況下測量) 為20V。標稱電壓為18V。

## 維修信息

STANLEY FATMAX提供完整的公司隸屬和授權的維修點網絡。所有STANLEY FATMAX服務中心均擁有經過訓練的人員，為您提供高效可靠的電動工具服務。如需瞭解有關我們授權維修中心的更多信息，而且如需獲得技術建議、維修或原廠更換部件，請聯繫距離您最近的STANLEY FATMAX。

**總經銷商：**永安實業股份有限公司  
**地址：**新北市三重區新北大道二段137號  
**電話：**02-2999-4633

**進口/委製廠商：**新加坡商百得電動工具(股)公司台灣分公司  
**地址：**台北市士林區德行西路33號2樓  
**電話：**02-2834-1741

## 용도

STANLEY FATMAX SBC550 톱은 목재 및 목재 제품을 절단하도록 설계되었습니다. 이 공구는 전문가 및 개인, 비전문 사용자를 위한 것입니다.

## 안전 지침

### 일반 안전 경고



**경고: 이 전동 공구와 함께 제공되는 모든 안전 경고와 지시사항, 설명 및 사양을 읽으십시오.** 아래 설명한 모든 지시 사항을 따르지 않으면 감전, 화재 및/또는 심각한 부상을 초래할 수 있습니다.

**향후 참고할 수 있도록 모든 경고 및 지시 사항을 보관해두십시오.** 경고에서 사용된 "전동 공구" 라는 용어는 주 공급 전원에 의해 전기가 공급되는(유선) 전동 공구 또는 충전식(무선) 전동 공구를 의미합니다.

### 1. 작업장 안전

- 작업장을 항상 청결하고 밝게 유지하십시오. 혼잡하거나 어두운 작업장에서는 사고가 발생하기 쉽습니다.
- 기연성 액체, 가스 또는 먼지 등이 있는 폭발성 대기에서 전동 공구를 사용하지 마십시오. 전동 공구에서 먼지나 가스를 발화시킬 수 있는 불꽃이 될 수 있습니다.
- 전동 공구로 작업하는 동안에는 어린이와 주변 사람들이 작업 영역에 가까이 들어오지 못하도록 하십시오. 주변이 산만해져 통제력을 잃을 수 있습니다.

### 2. 전기 안전

- 동공구의 플러그는 콘센트와 형식이 일치해야 하며, 플러그를 어떤 형태로도 개조하지 마십시오. 또한 접지된 전동공구에 다른 어댑터 플러그를 사용하지 마십시오. 개조되지 않은 플러그 및 형식이 일치하는 콘센트를 사용하면 감전 위험이 줄어듭니다.
- 파이프 관, 라디에이터, 렌치, 냉장고 등의 접지 표면에 물이 닿지 않도록 하십시오. 몸에 닿을 경우 감전이 될 위험이 높아집니다.
- 전동 공구를 비 또는 습한 환경에 노출하지 않도록 주의하십시오. 전동 공구에 물이 들어가면 감전 위험이 높아집니다.
- 코드를 함부로 다루지 마십시오. 코드를 사용하여 전동공구를 운반하거나, 코드를 과도하게 잡아당겨서 플러그를 뽑지 않도록 주의하십시오. 전열코드가 열기 또는 오일과 접촉되는 것을 피하고, 날카로운 모서리 또는 기기의 기동 부위에 닿지 않도록 주의 하십시오. 코드가 손상되거나 얽혀 있으면 감전 위험이 높아집니다.
- 전동 공구를 실외에서 사용할 때는 실외 사용에 적합한 연장 코드를 사용하십시오. 실외 사용에 적합한 코드를 사용하면 감전 위험이 줄어듭니다.
- 전동공구를 습한 공간에서 사용할 경우, 반드시 누전 차단기를 사용하십시오. 누전 차단기(RCD)를 사용하면 감전의 위험이 줄어듭니다. RCD를 사용하면 감전 위험이 줄어듭니다.

### 3. 신체 안전 사항

- 전동 공구로 작업할 때는 방심하지 말고 작업에 주의하면서 상식에 따르십시오. 피곤한 상태이거나 약물, 술, 치료제를 복용한 상태에서는 전동 공구를 사용하지 마십시오. 전동 공구를 사용하다 잠깐만 한 눈을 팔아도 심각한 부상을 당할 수 있습니다.
- 신체 보호 장비를 착용하십시오. 항상 보안경을 착용하십시오. 적합한 상황에서 방진 마스크, 미끄럼 방지 안전화, 안전모 또는 청력 보호 기구 등의 보호 장비를 사용하면 신체 부상 위험이 줄어듭니다.
- 의도하지 않은 장비 가동 방지. 전원 및/또는 배터리 팩에 연결한 상태로 공구를 선택 또는 운반할 때는 사전에 스위치가 꺼진 위치에 있는지 반드시 확인하십시오. 스위치가 켜진 위치에 있는 상태에서 스위치에 손가락이 닿은 상태로 전동 공구를 운반하거나 전동 공구에 전원을 공급하면 사고가 발생합니다.
- 전동 공구를 켜기 전에 모든 조정 기 또는 렌치를 제거하십시오. 전동 공구의 회전 부품에 렌치나 키가 부착되어 있으면 부상을 당할 수 있습니다.
- 무리하게 팔을 뻗지 마십시오. 항상 올바른 자세로 서서 균형을 유지하십시오. 안정된 자세로 작업을 할 경우 전동 공구를 안전하게 사용할 수 있습니다.
- 작업에 적절한 의복을 착용 하십시오. 헐렁한 옷이나 장신구를 착용하지 마십시오. 머리카락과 옷이 움직이는 부품에 닿지 않도록 유의하십시오. 헐렁한 옷, 장신구 또는 긴 머리가 움직이는 부품에 걸 수 있습니다.
- 먼지 배출 및 집진 시설 연결을 위한 장치가 제공된 경우, 이들 장치가 연결되어 적절히 사용되고 있는지 반드시 확인하십시오. 집진 장치를 사용하면 먼지와 관련된 위험을 줄일 수 있습니다.
- 장치를 자주 사용함으로써 생긴 익숙함으로 인해 현실에 안주하거나 공구 안전 원칙을 무시하지 않도록 하십시오. 부주의한 작동은 순식간에 심각한 부상을 야기할 수 있습니다.

### 4. 전동 공구 사용 및 관리

- 전동 공구에 무리한 힘을 가하지 마십시오. 해당 용도에 맞는 올바른 전동 공구를 사용하십시오. 올바른 전동 공구를 사용해야 설계된 속도로 작업을 더욱 안전하고 정확하게 수행할 수 있습니다.
- 켜지지 않거나 꺼지지 않는 경우 전동 공구를 사용하지 마십시오. 스위치로 제어되지 않는 전동 공구는 위험하므로 수리해야 합니다.
- 전동 공구를 조정하거나 액세서리를 변경하거나 보관하기 전에 전동 공구에서 분리되는 경우 전원에서 플러그를 뽑거나 또는 배터리 팩을 분리하십시오. 이러한 예방적 안전 조치를 따라야 전동 공구가 갑자기 작동할 위험이 줄어듭니다.
- 사용하지 않는 전동 공구는 어린이의 손이 닿지 않는 곳에 보관하고, 전동 공구나 본 지시 사항에 익숙하지 않은 사람이 전동 공구를 절대 사용하지 못하게 하십시오. 전동 공구는 훈련을 받지 않은 사용자가 다루면 위험합니다.
- 전동 공구 및 액세서리 유지 보수. 움직이는 부품의 잘못된 정렬이나 바인딩, 부품 파손 및 기타 전동 공구의 작동에 영향을 미칠 수 있는 기타 모든 상태를 확인하십시오.

손상된 부분이 있는 경우 사용하기 전에 전동 공구를 수리하십시오. 많은 사고는 전동 공구를 제대로 유지 보수하지 않아 발생합니다.

- f. 공구를 깨끗한 상태로 유지하십시오. 절삭 가장자리를 예리하게 잘 유지하면 절삭기를 사용할 때 바인딩이 적고 다루기가 용이합니다.
- g. 작업 환경과 수행할 작업을 고려하여, 본 지시 사항에 따라 전동 공구, 액세서리 및 롤 비트 등을 사용하십시오. 본 사용 설명서의 내용과 다른 용도로 전동 공구를 사용하면 위험한 상황이 발생할 수 있습니다.
- h. 핸들과 잡는 표면은 건조하고 깨끗한 상태를 유지하고 오일/기름이 묻지 않도록 하십시오. 미끄러운 핸들과 잡는 면은 예기치 못한 상황에서 안전한 취급과 공구 관리를 보장하지 않습니다.

## 5. 배터리 공구 사용 및 주의 사항

- a. 다시 충전할 때는 제조업체에서 지정한 충전기만 사용하십시오. 하나의 배터리 팩 유형에 적합한 충전기를 다른 배터리의 팩과 함께 사용할 경우 화재의 위험이 있습니다.
- b. 전동 공구를 사용할 때는 구체적으로 지정되어 있는 배터리 팩만 사용하십시오. 다른 배터리 팩을 사용하면 부상을 입거나 화재의 위험이 있습니다.
- c. 배터리 팩을 사용하지 않을 때에는 클립, 동전, 키, 못, 나사 등의 금속 물체나, 단자 간에 연결할 수 있는 작은 금속 물체가 닿지 않도록 멀리 두십시오. 배터리 단자가 단락되면 화상을 입거나 화재의 위험이 있습니다.
- d. 배터리를 과다 사용하면 액체가 배터리에서 흘러 나올 수 있으므로, 접촉을 피하십시오. 실수로 접촉한 경우에는물로 씻으십시오. 액체가 눈에 들어간 경우 치료를 받으십시오. 배터리에서 나온 액체는 통증을 유발하거나 화상을 입힐 수 있습니다.
- e. 손상되거나 변경된 배터리 팩 또는 공구를 사용하지 마십시오. 손상되거나 개조된 배터리는 예측할 수 없는 작용을 보여, 화재, 폭발 또는 부상 위험을 야기할 수 있습니다.
- f. 배터리 팩 또는 공구를 불이나 130 °C 가 넘는 온도에서 노출하지 마십시오.
- g. 따르고 배터리 팩 또는 공구를 설명서에 지정된 범위 밖의 온도에서 충전하지 마십시오. 적절하지 않게 충전하거나 지정된 범위 밖의 온도에서 충전하면 배터리가 손상되어 화재 위험이 증가될 수 있습니다.

## 6. 정비

- a. 자격을 갖춘 기술자가 동일 교체 부품을 사용하여 정비 작업을 수행해야 합니다. 그래야 전동 공구의 안전이 보장됩니다.
- b. 손상된 배터리 팩을 정비하지 마십시오. 배터리 팩은 제조업체 또는 공인 서비스 공급업체를 통해서만 점검을 받아야 합니다.

## 모든 톱에 대한 안전 지침

### 절단 절차

- a. △ 힘 절단 영역과 날에서 손을 멀리하십시오. 보조 손잡이 또는 모터 하우징에 초점을 유지하십시오. 양손이 톱을 잡고 있으면 날로 절단할 수 없습니다.
- b. 공작물 아래에 닿지 않도록 하십시오. 가드는 공작물 아래의 날로부터 사용자를 보호할 수 없습니다.
- c. 절삭 깊이를 공작물의 두께에 맞게 조정하십시오. 블레이드 톱니의 전체 톱니 미만이 공작물 아래에 보여야 합니다.
- d. 절단 중에 손이나 다리를 가로 질러 작업 물을 잡지 마십시오. 공작물을 안정적인 플랫폼에 고정하십시오. 신체 노출, 날 바인딩 또는 통제력 상실을 최소화하기 위해 작업을 올바르게 지원하는 것이 중요합니다.
- e. 절삭 공구가 숨겨진 배선과 접촉할 수 있는 작업을 수행 할 때는 절연 그림 표면으로 전동 공구를 잡으십시오. "실제" 와이어와 접촉하면 전동 공구의 금속 부분이 "실제로" 노출되어 작업자에게 감전될 수 있습니다.
- f. 추출할 때는 항상 림 펜스 또는 일자형 가이드를 사용하십시오. 이렇게 하면 절단 정확도가 향상되고 블레이드 바인딩 가능성이 줄어듭니다.
- g. 항상 정확한 크기와 모양 (다이아몬드 대 원형)의 아버 구멍이 있는 날을 사용하십시오. 톱의 장착 하드웨어와 맞지 않는 블레이드는 중앙에서 벗어나 작동을 제어할 수 없게 됩니다.
- h. 손상되었거나 잘못된 날 앞서 또는 볼트를 사용하지 마십시오. 블레이드 와셔와 볼트는 최적의 성능과 안전을 위해 톱에 맞게 특별히 설계되었습니다.

## 모든 톱에 대한 추가 안전 지침

### 반동 원인 및 관련 경고

- 킥백은 꼬이거나, 바운드되거나 잘못 정렬 된 톱날에 갑자기 적용되어 제어되지 않은 톱이 작업자를 향해 공작물을 들어 올려 들어옵니다.
  - 커팅이 달함으로써 날이 끼이거나 단단히 고정된 날이 멈추고 모터 반응으로 인해 장치가 작업자쪽으로 빠르게 되돌아갑니다.
  - 절단면에서 날이 비틀리거나 잘못 정렬되면 날의 뒤쪽 가장자리에 있는 톱니가 목재의 뒷면을 파고 날이 커팅에서 올라가 작업자쪽으로 튀어나올 수 있습니다.
- 반동은 톱 오용 및 / 또는 잘못된 작동 절차 또는 조건으로 이어질 수 있으며 아래에 제시된대로 적절한 예방 조치를 취하면 피할 수 있습니다.

- a. 양손으로 톱을 단단히 잡고 반동력에 저항하도록 팔을 위치 시키십시오. 몸을 일직선이 아닌 칼날 양쪽에 위치 시키십시오 블레이드, 기계 반동으로 인해 톱이 뒤로 뺄 수 있지만, 적절한 예방 조치를 취하면 작업자가 기계 반동력을 제어할 수 있습니다.
- b. 날이 제본될 때 또는 어떤 이유로든 절단을 중단할 때 트리거를 놓고 날이 완전히 멈출때까지 재료에서 톱을 움직이지 마십시오. 날이 움직이는 동안 톱을 작업 물에서 제거하거나 톱을 뒤로 당기지 마십시오. 반동이 발생할 수 있습니다. 블레이드 바인딩의 원인을 제거하기 위해 조사하고 수정 조치를 취하십시오

- c. 공작물에서 톱을 다시 시작할 때 톱날을 커프의 중앙에 놓고 톱나가 재료에 맞물리지 않았는지 확인하십시오. 톱날이 제분되면 톱이 다시 작동될 때 공작물에서 걷히거나 반동할 수 있습니다.
- d. 큰 패널을 지지하여 날 끼임 및 기계 반동의 위험을 최소화하십시오. 큰 패널은 자체 무게로 처지는 경향이 있습니다. 지지선은 절단 선 근처와 패널 가장자리 근처의 양쪽 패널 아래에 배치해야 합니다.
- e. 둔하거나 손상된 날을 사용하지 마십시오. 날이 날카롭지 않거나 부적절하게 설정된 블레이드는 커브가 좁아 저 마찰, 블레이드 바인딩 및 반동이 발생합니다.
- f. 절단하기 전에 날 깊이와 경사 조정 잠금 레버를 단단히 고정해야 합니다. 절단 중에 날 조정이 이동하면 바인딩 및 반동이 발생할 수 있습니다
- g. 기존 벽이나 다른 사각 지역을 절단 할 때는 특히 주의하십시오. 돌출 날이 기계 반동을 일으킬 수 있는 물체를 절단할 수 있습니다.

- 공구에 표시된 속도 이상의 속도로 표시된 톱날 만 사용하십시오.
- 날 끝의 과열을 피하십시오.
- 사용하기 전에 먼저 추출 포트를 톱에 설치하십시오.
- 거친 절단 톱을 사용하지 마십시오.
- 급수 장치를 사용하지 마십시오.
- 클램프 또는 다른 실용적인 방법을 사용하여 공작물을 안정적인 플랫폼에 고정하고 지지하십시오. 작업물을 손으로 또는 몸에 대면 불안정한 상태가되어 제어력을 잃을 수 있습니다.

## 진자 블레이드 가드가 있는 톱에 대한 안전 지침

### 하부 가드 기능

- a. 매번 사용하기 전에 하단 가드가 제대로 닫혀 있는지 확인하십시오. 하부 가드가 자유롭게 움직이지 않고 즉시 닫히지 않으면 톱을 작동하지 마십시오. 하부 가드를 열린 위치에 고정하거나 묶지 마십시오. 톱을 실수로 떨어뜨리면 하부 가드가 구부러질 수 있습니다. 리트랙 톱 핸들로 하부 가드를 올리고 자유롭게 움직이며 블레이드 또는 다른 부품에 모든 각도와 깊이로 닿지 않도록 하십시오.
- b. 하부 가드 스프링의 작동을 점검하십시오. 가드와 스프링이 제대로 작동하지 않으면 사용하기 전에 서비스를 받아야 합니다. 하부 가드는 손상 된 부품, 고무 같은 침전물 또는 잔해물로 인해 느리게 작동할 수 있습니다.
- c. "플런지 절단" 및 "복합 절단"과 같은 특수 절단에 대해서는 하부 보호대를 수동으로 수납할 수 있습니다. 리트랙 톱 핸들로 하부 가드를 올리고 블레이드가 재료에 들어가 자마자 하부 가드를 해제해야 합니다. 다른 모든 톱질의 경우 하부 가드가 자동으로 작동해야 합니다.
- d. 벤치 또는 바닥에 톱을 내려놓기 전에 항상 하부 가드가 닫혀 있고 있는지 확인하십시오. 보호되지 않은 코스팅 블레이드는 톱을 뒤로 걸으면서 경로에있는 모든 것을 자릅니다. 스위치를 해제한 후 날이 멈출 때까지 걸리는 시간에 유의하십시오.

## 원형 톱에 대한 추가 안전 지침

- 귀마개를 착용하십시오. 소음에 노출되면 청력이 손상될 수 있습니다.
- 방진 마스크를 착용하십시오. 먼지 입자에 노출되면 호흡 곤란 및 부상을 입을 수 있습니다.
- 권장 직경보다 크거나 작은 블레이드를 사용하지 마십시오. 적절한 블레이드 등급은 기술 데이터를 참조하십시오. EN847-1 을 준수하시고 이 설명서에 지정된 블레이드 만 사용하십시오.

## 기타 발생 가능한 위험

톱 사용에는 다음과 같은 위험이 있습니다.

- 회전 부품을 만져서 발생하는 부상
- 관련된 안전 규정을 준수하고 안전 장치를 사용한다고 해도 어떤 위험들은 피하지 못할 수도 있습니다. 이러한 위험으로는 다음과 같은 것들이 있습니다.
- 청력 손상.
- 회전하는 톱날의 덮개가 없는 부품으로 인한 사고 위험.
- 블레이드 교체시 부상 위험이 있습니다.
- 가드를 열 때 손가락이 눌릴 위험이 있습니다.
- 목재, 특히 참나무, 너도밤 나무 및 MDF를 톱질 할 때 발생하는 먼지 흡입으로 인한 건강 위험.

## 타인의 안전

- 이 기기는 안전을 책임지는 사람이 기기 사용에 대해 감독하거나 지지하지 않는 한 신체적, 감각적 또는 정신적 능력이 약하거나 경험과 지식이 부족한 사람(어린이 포함)이 사용하도록 설계되지 않았습니다.
- 어린이가 기기를 가지고 놀지 않도록 감독해야 합니다.

## 공구 라벨

날짜 코드와 함께 다음 기호가 공구에 표시됩니다.



**경고!** 부상 위험을 줄이려면 사용자는 사용 전에 사용 설명서를 주의 깊게 읽어야 합니다.

## 배터리 및 충전기에 대한 추가 안전 지침

### 배터리

- 어떤 이유로든 열지 마십시오.
- 배터리를 물에 노출시키지 마십시오.
- 온도가 40 °C를 초과할 수 있는 장소에 보관하지 마십시오.
- 주변 온도가 10 °C ~ 40 °C 인 경우에만 충전하십시오.
- 공구와 함께 제공된 충전기 만 사용하여 충전하십시오.
- 배터리를 폐기할 때는 "환경 보호" 섹션의 지침을 따르십시오.



손상된 배터리를 충전하지 마십시오

## 충전기

- 충전기는 제공된 도구로 배터리를 충전하는 데만 사용하십시오. 다른 배터리는 파열되어 부상을 입거나 손상될 수 있습니다.
- 비 충전식 배터리를 충전하지 마십시오.
- 결합이 있는 코드는 즉시 교체하십시오.
- 충전기를 물에 노출시키지 마십시오.
- 충전기를 열지 마십시오.
- 충전기를 조사하지 마십시오.



충전기는 실내 전용입니다.

## 전기 안전

충전기는 특정 전압에 맞게 설계되었습니다. 전원 전압이 명판의 전압과 일치하는지 항상 확인하십시오. 충전기를 일반 전원 플러그로 교체하지 마십시오.



- 전원 코드가 손상된 경우 위험을 피하기 위해 제조업체 또는 공인 된 STANLEY FATMAX 서비스 센터에서 교체해야 합니다.

## 설명 (그림 A)



**경고:** 전동 공구 또는 전동 공구의 어떤 부품도 절대 개조하지 마십시오. 제품이 파손되거나 신체 부상을 당할 수도 있습니다.

- On/off 스위치
- 잠금 해제 버튼
- 메인 핸들
- 보조 핸들
- 슈
- 튄날
- 하부 블레이드 가드
- 하부 가드 복귀 레버
- 베벨 조절 레버
- 베벨 각도 눈금
- 외날 클램프 와셔
- 블레이드 고정 볼트
- 깊이 조절 레버
- 스핀들 잠금 버튼
- 배터리
- 배터리 해제 버튼
- 육각 렌치
- 먼지 추출 포트



**경고:** 이 톱으로 금속, 벽돌, 유리, 타일 또는 플라스틱을 절단하지 마십시오. 무딘 날은 느린 비효율적인 절단, 톱 모터의 과부하, 과도한 뜨개짐을 유발하고 반동 가능성을 증가시킬 수 있습니다.

- 연마 휠을 사용하지 **마십시오**.
- 목재 절단 용으로 설계된 날만 사용하십시오.



**경고:** 수액 코팅 된 목재 및 기타 재료를 절단하면 녹은 물질이 톱날 끝과 톱날 본체에 축적되어 절단 중 날이 과열되거나 목일 위험이 높아집니다.

절대로 습한 환경이나 가연성 액체 또는 가스가 있는 곳에서 사용하지 **마십시오**.

어린이가 이 공구를 만지지 **않도록 하십시오**. 경험이 없는 작업자가 이 공구를 사용할 때는 감독자의 지도가 필요합니다.

- 어린이 및 노약자.** 본 제품은 어린이나 노약자가 사용하도록 설계되지 않았습니다. 이러한 사람이 사용할 때는 감독이 필요합니다.
- 본 제품은 안전 책임을 맡고 있는 사람이 감독을 하고 있지 않는 한 경험, 지식 또는 기술이 부족하고 신체적, 감각적 또는 정신적 능력이 미약한 사람(어린이 포함)이 사용하도록 고안된 것이 아닙니다. 이 제품과 함께 어린이만 혼자 두어서는 안됩니다.

## 배터리 장착 및 제거 (그림 B)

- 배터리 (15)를 장착하려면 공구의 콘센트에 맞춰 정렬하십시오. 배터리를 콘센트에 밀어 넣고 배터리가 제자리에 고정될 때까지 기다립니다.
- 배터리를 제거하려면 분리 버튼 (16)을 누르는 동시에 콘센트에서 배터리를 빼내십시오.

## 사용



**경고:** 공구가 자체 속도로 작동하도록하십시오. 과부하하지 마십시오. 이 공구는 오른손 또는 왼손으로 사용할 수 있습니다.

## 배터리 충전 (그림 B)

배터리는 처음 사용하기 전과 이전에 쉽게 수행했던 작업에서 충분한 전력을 공급하지 못할 때마다 충전해야 합니다. 충전하는 동안 배터리가 따뜻해질 수 있습니다. 이것은 정상적인 현상이며 문제를 나타내는 것이 아닙니다.



**경고!** 주변 온도가 10 °C 이하 또는 40 °C 이상인 장소에서는 배터리를 충전하지 마십시오. 권장 충전 온도: 약 24 °C.

**참고:** 배터리 온도가 약 10 °C 이하이거나 40 °C 이상이면 충전기가 배터리를 충전하지 않습니다.

배터리는 충전기에 그대로 두어야 하며 셀 온도가 예열되거나 냉각되면 충전기가 자동으로 충전되기 시작합니다.

- 배터리 (15)를 충전하려면 충전기 (24)에 삽입하십시오. 배터리는 한 방향으로 만 충전기에 맞습니다. 무리하게 작업하지 마십시오. 배터리가 충전기에 완전히 장착되었는지 확인하십시오.
- 충전기를 연결하고 전원을 켭니다.

충전 표시 등 (25)이 깜박입니다.

충전 표시 등 (25)이 계속 켜져 있으면 충전이 완료된 것입니다. 충전기와 배터리는 무기한 연결 상태로 둘 수 있습니다. 충전기가 때때로 배터리를 충전하므로 LED가 켜집니다.

- 방전 된 배터리는 1 주일 이내에 충전하십시오. 방전 된 상태로 보관하면 배터리 수명이 크게 줄어듭니다.

## 충전기에 배터리 보관

충전기와 배터리 팩은 LED 표시등이 점등된 상태로 연결되어 있을 수 있습니다. 충전기는 배터리 팩을 완전히 충전 된 상태로 유지합니다.

## 충전기 진단

충전기가 약하거나 손상된 배터리를 감지하면 충전 표시기 (25)가 빠른 속도로 빨간색으로 깜박입니다. 다음과 같이 진행하십시오.

- 배터리 (15)를 다시 삽입하십시오.
- 충전 표시등이 빠른 속도로 계속 빨간색으로 깜박이면 다른 배터리를 사용하여 충전
- 프로세스가 제대로 작동하는지 확인합니다. 교체 된 배터리가 올바르게 충전되면 원래 배터리에 결함이 있는 것이므로 재활용을 위해 서비스 센터에 반환해야 합니다.
- 새 배터리가 원래 배터리와 동일한 표시를 나타내는 경우 충전기를 가져가 공인 서비스 센터에서 테스트하십시오.

**참고:** 배터리에 결함이 있는지 확인하는 데 30 분 정도 걸릴 수 있습니다. 배터리가 너무 뜨겁거나 너무 차가우면 LED가 빨간색, 빠르게 나 느리게 번갈아 깜박이며 각 속도에서 한 번 깜박이고 반복됩니다.

## 블레이드 부착 및 제거 (그림 C)

1. 그림 C와 같이 하부 가드를 접고 톨날 (6)과 외부 날 클램프 와셔 (11)를 조립합니다.
2. 스프링 잠금 버튼 (14)을 누른 상태에서 육각 렌치 (17)로 블레이드 고정 볼트 (12)를 블레이드 잠금 장치가 맞물리고 블레이드가 회전을 멈출 때까지 돌립니다.

**참고:** 육각 렌치는 그림 A와 같이 톨에 보관됩니다. 육각 렌치로 블레이드 고정 볼트를 단단히 조입니다.

**참고:** 볼트에는 오른손 나사가 있습니다. 풀려면 시계 반대 방향으로 돌립니다. 조이려면 시계 방향으로 돌립니다.

**참고:** 톨이 작동하는 동안에는 날 잠금 장치를 잠그거나 공구를 멈추려고 하지 마십시오. 날 잠금 장치가 체결되어 있는 동안 공구를 켜지 마십시오. 톨에 심각한 손상이 발생합니다.

## 대형 패널 지원 / 공작물 고정 (그림 D-G)

블레이드가 끼거나 반동되는 위험을 최소화하기 위해 대형 패널을 지원합니다. 큰 패널은 그림 D와 같이 자체 무게로 인해 처지는 경향이 있습니다.

지지대는 양쪽 패널 아래, 절단 선 근처 및 패널 가장자리 근처에 배치해야 합니다 (그림 E).



**경고!** 부상 위험을 줄이려면 절단되는 부분을 손으로 잡거나 다리에 놓지 마십시오 (그림 F).

그림 G와 같이 작업 물을 안정적인 플랫폼에 고정합니다. 신체 노출, 블레이드 바인딩 또는 제어 상실을 최소화하기 위해 작업을 적절하게 지원하는 것이 중요합니다.

## 절단 깊이 조정 (그림 G-I)

절삭 깊이는 공작물의 두께에 따라 설정해야 합니다.

1. 레버 (13)를 풀어 톨 슈 (5)의 잠금을 해제합니다.
2. 깊이 스트랩의 눈금 표시에 표시된 원하는 절단 깊이에 톨 슈를 정렬합니다.
3. 그림 G와 같이 블레이드의 톨니 (19) 하나가 공작물 (20) 아래로 돌출되도록 톨의 깊이 조정을 설정합니다.
4. 깊이 조절 레버를 조여 톨 슈를 제자리에 고정합니다.

## 베벨 각도 조정 (그림 J)

이 공구는 0°에서 56° 사이의 베벨 각도로 설정할 수 있습니다.

1. 조절 레버 (9)를 풀어 톨 슈 (5)의 잠금을 해제합니다.
2. 베벨 각도 눈금 (10)의 베벨 각도 표시에 해당하는 원하는 위치로 톨 슈를 이동합니다.
3. 경사 조절 레버를 조여 톨 슈를 제자리에 고정합니다.
4. 스크랩 조각에 대한 실제 절단의 베벨 각도를 확인하여 설정의 정확성을 확인하십시오.

## 90° 절단을 위한 슈 조정 (그림 K)

슈 (5)는 공장에서 블레이드가 0° 베벨 설정에서 슈에 수직이 되도록 설정되어 있습니다.

재정렬이 필요한 경우 :

1. 0° 경사로 조정합니다.
2. 하부 날 보호대 (7)를 집어 넣습니다.
3. 베벨 조정 레버 (9)를 푼다. 90° 설정을 조정하려면 날 (6)과 슈 (5)에 정사각형을 놓습니다.
4. 슈가 적절한 각도에서 멈출 수 있도록 보정 나사 (22)를 돌립니다.
5. 스크랩 조각의 실제 절단 직각도를 확인하여 설정의 정확성을 확인하십시오.

## On/Off 스위치 (그림 A)

톨에는 의도하지 않은 작동을 방지하기 위해 스위치 잠금 기능이 있습니다.

1. 작동하려면 톨 양쪽에서 잠금 해제 버튼 (2)을 누른 상태에서 트리거 스위치 (1)를 누르십시오.
2. 트리거를 눌렀고 공구가 작동하면 잠금 해제 버튼을 놓습니다. 공구는 트리거를 누르고 있는 동안 계속 실행됩니다.
3. 공구를 끄려면 트리거 스위치를 놓습니다.

**참고:** 이 공구에는 공구를 잠그는 기능이 없으며 다른 방법으로 스위치를 잠그면 안 됩니다.

## 자동 전기 브레이크

톨에는 트리거 해제 후 1-2 초 이내에 톨날을 정지시키는 전기 블레이드 브레이크가 장착되어 있습니다. 이것은 자동이며 조정할 필요가 없습니다.

## 하부 블레이드 가드



**경고!** 열상 위험. 하부 날 보호대는 심각한 부상 위험을 줄이는 안전 기능입니다. 하부 보호대가 없거나 손상되었거나 잘못 조립되었거나 제대로 작동하지 않는 경우 톨을 사용하지 마십시오. 모든 상황에서 사용자를 보호하기 위해 하단 날 보호대에 의존하지 마십시오. 사용자의 안전은 톨의 올바른 작동뿐만 아니라 모든 경고 및 주의 사항을 따르는 데 달려 있습니다. 모든 톨에 대한 추가 안전 지침에 설명된 대로 매번 사용하기 전에 하단 가드가 제대로 닫혔는지 확인하십시오. 하단 날 보호대가 없거나 제대로 작동하지 않으면 사용하기 전에 톨을 정비 받으십시오. 제품 안전과 신뢰성을 보장하려면 항상 동일한 교체 부품을 사용하여 공인 서비스 센터 또는 기타 자격을 갖춘 서비스 기어에서 수리, 유지 보수 및 조정을 수행해야 합니다.





**경고:** 눈 부상의 위험을 최소화하려면 항상 보안경을 사용하십시오. 카바이드는 단단하지만 부서지기 쉬운 소재입니다. 공작물에 와이어 나 못과 같은 이물질이 있으면 팁이 갈라 지거나 부러 질 수 있습니다. 적절한 톱날 가드가 제자리에 있을 때만 톱을 작동하십시오. 사용하기 전에 블레이드를 적절한 회전으로 단단히 장착하고 항상 깨끗하고 날카로운 블레이드를 사용하십시오.



**경고:** 부상의 위험을 줄이려면 작업을 적절하게 지지하고 톱을 단단히 잡고 부상을 입을 수 있는 통제력 상실을 방지하는 것이 중요합니다. 그림 N은 일반적인 손 지지대를 보여줍니다.



**경고:** 심각한 부상의 위험을 줄이려면 공구를 사용하기 전에 모든 중요한 안전 경고 및 지침을 읽고 이해하고 따르십시오.

## 블레이드 선택

원형 톱은 185mm 직경의 블레이드와 함께 사용하도록 설계되었으며 블레이드는 6000RPM (또는 그 이상) 작동 등급이어야 합니다. 연마 휠을 사용하지 마십시오.

## 일반 킷



**경고!** 부상의 위험을 줄이려면 배터리를 제거하고 모든 조립, 조정 및 설정 지침을 따르십시오.

하부 가드가 작동하는지 확인하십시오. 절단 할 재료에 적합한 블레이드를 선택하십시오.

- 절단 작업을 측정하고 표시합니다.
- 공작물을 올바르게 지지하고 고정합니다 (**대형 패널 지원 / 공작물 고정** 참조).
- 적절하고 필요한 안전 장비를 사용하십시오 (**추가 안전 정보** 참조).
- 작업 영역을 확보하고 유지합니다 (**모든 톱에 대한 안전 지침** 참조).
- 배터리가 삽입 된 상태에서 스위치가 톱을 켜고 끄는 지 확인하십시오.

## 톱질



**경고!** 심각한 부상의 위험을 줄이려면 항상 두 손으로 공구를 잡으십시오.

- 몸을 톱날과 일직선이 아닌 날의 양쪽에 두십시오. 반동으로 인해 톱이 뒤로 튀어 나올 수 있습니다. **모든 톱과 반동 원인 및 관련 경고**에 대한 추가 안전 지침을 참조하십시오.
- 절단 작업을 시작하기 전에 칼날이 몇초동안 자유롭게 움직입니다.
- 절단을 수행하는 동안 공구에 약간의 압력 만 가하십시오.
- 공작물에 놀린 슈로 작업하십시오.

## 최적의 사용을 위한 힌트

- 공작물 상단의 절단 선을 따라 약간의 띄게짐을 피할 수 없으므로 띄게짐 수 있는 쪽에서 절단하십시오.
- 띄게짐을 최소화해야하는 경우 (예 : 라미네이트를 절단할 때 합판 조각을 공작물 상단에 고정합니다).

## 포켓 커팅 (그림 M)



**경고!** 날 보호대를 올려 진 위치에 묶지 마십시오. 포켓 절단시 톱을 뒤로 움직이지 마십시오. 이로 인해 장치가 공작물 표면에서 올라와 부상을 입을 수 있습니다.

포켓 컷은 재료의 가장자리가 하단 가드를 밀어 열리지 않고 회전하는 블레이드의 하단 가장자리가 재료의 중앙으로 절단 될 때 만들어지는 절단입니다.

1. 작업자가 원하는 깊이가 절단되도록 슈 (5)를 조정합니다.
2. 톱을 앞으로 기울이고 절단 할 재료 위에 슈 앞쪽을 놓습니다.
3. 후퇴 레버를 사용하여 하단 날 보호대를 왼쪽 위치로 후퇴시킵니다. 날 이빨이 절단 선에 거의 닿을 때까지 슈 뒷면을 내립니다.
4. 블레이드 가드를 해제합니다 (공작물과 접촉하면 절단을 시작할 때 자유롭게 열리는 위치에 유지됩니다). 가드 레버에서 손을 빼고 그림 M과 같이 보조 핸들 (4)을 단단히 잡습니다. 반동이 발생하는 경우 저항할 수 있도록 몸과 팔을 배치합니다.
5. 톱을 작동하기 전에 날이 절단면에 닿지 않았는지 확인하십시오.
6. 모터를 사용하고 톱이 최고 속도가되도록 한 다음 슈가 절단 할 재료에 평평하게 놓일 때까지 톱을 서서히 내립니다. 절단이 완료 될 때까지 절단 선을 따라 톱을 진행하십시오.
7. 재료에서 블레이드를 빼내기 전에 트리거를 놓고 블레이드가 완전히 멈출 때까지 기다리십시오.
8. 각각의 새로운 절단을 시작할 때 윗면과 같이 반복하십시오.

## 리핑

공구와 함께 립 펜스(작은 가이드) 제공됩니다.

리핑은 더 넓은 보드를 더 좁은 스트림으로 자르는 과정으로 공작물을 세로로 절단합니다. 이러한 유형의 톱질에서는 손으로 유도하는 것이 더 어렵고 립 펜스를 사용하는 것이 좋습니다.

## 먼지 추출



**경고!** 먼지 흡입 위험. 부상의 위험을 줄이려면 항상 승인 된 방진 마스크를 착용하십시오.



**경고:** 목재를 절단할 때 먼지 배출에 관한 해당 지침을 준수하도록 설계된 진공 추출기를 **항상** 사용하십시오. 가장 일반적인 진공 청소기의 진공 호스는 먼지 배출구에 직접 맞습니다.

구와 함께 먼지 추출 포트 (18)가 제공됩니다. 먼지 추출 포트를 사용하면 공구를 외부 먼지 추출기에 연결할 수 있습니다.

## 유지 보수

STANLEY FATMAX 공구는 최소한의 유지 보수로 장기간 작동하도록 설계되었습니다. 만족스러운 연속 작동은 적절한 공구 관리와 정기적인 청소에 따라 그 성능이 달라질 수 있습니다. 충전기는 정기적 인 청소 외에 유지 관리가 필요하지 않습니다.



**경고!** 공구에 대한 유지 관리를 수행하기 전에 공구에서 배터리를 제거하십시오. 청소하기 전에 충전기의 플러그를 뽑으십시오.

- 제품 / 공구 / 충전기의 환기 슬롯을 부드러운 솔이나 마른 천으로 정기적으로 청소하십시오.
- 젖은 천을 사용하여 모터 하우징을 정기적으로 청소하고 연마제나 솔벤트 기반 세제를 사용하지 마십시오.

## 환경 보호



분리 수거. 이 기호가 표시된 제품과 배터리를 일반 가정용 쓰레기와 함께 처리하면 안됩니다.

제품과 배터리에는 재활되거나 재활용되고 고철 자원에 대한 수요를 줄일 수 있는 자재가 포함되어 있습니다. 지역 규정에 따라 전기 제품을 재활용하십시오.

## 기술 데이터

		SBC550
입력 전압	$V_{dc}$	18V (20V MAX)
무부하 속도	$\text{min}^{-1}$	5 000
최대 절삭 깊이	mm	65
배벨에서 최대 절삭 깊이	mm	50
블레이드 직경	mm	185
블레이드 보어 (KR)	mm	19
블레이드 보어 (TW)	mm	25.4
블레이드 보어 (B1)	mm	20
블레이드 팁 너비	mm	1.8
무게	kg	3.2

충전기		SC125	SC200	SC400 SC401
입력 전압	$V_{AC}$	220-240	220-240	220-240
출력 전압	$V_{DC}$	18V (20V MAX)	18V (20V MAX)	18V (20V MAX)
전류	A	1.25	2	4

배터리		SB201	SB202	SB204	SB206
전압	$V_{DC}$	18V (20V MAX)	18V (20V MAX)	18V (20V MAX)	18V (20V MAX)
용량	Ah	1.5	2.0	4.0	6.0

배터리	SB201	SB202	SB204	SB206
유형	Li-Ion	Li-Ion	Li-Ion	Li-Ion

## 서비스 정보

STANLEY 고객들에게 가장 효율적이고 신뢰할 수 있는 서비스를 제공하기 위하여 훈련된 직원들로 센터를 구성하고 있습니다. 사용자의 안전 및 제품의 신뢰성을 보장하기 위하여 제품의 정비, 유지 보수 및 수리는 반드시 공인된 서비스센터에서 수행 해야 합니다. 자격이 없는 곳으로부터 받은 제품의 정비 및 수리는 사용자의 부상 위험 및 불이익을 초래할 수 있습니다. 당사의 공인 서비스 센터에 대한 자세한 정보와 기술 상담, 수리 또는 정품 교체 부품이 필요한 경우 가까운 STANLEY 대리점에 문의하거나 [www.stanleytools.co.kr](http://www.stanleytools.co.kr)을 방문하십시오.



