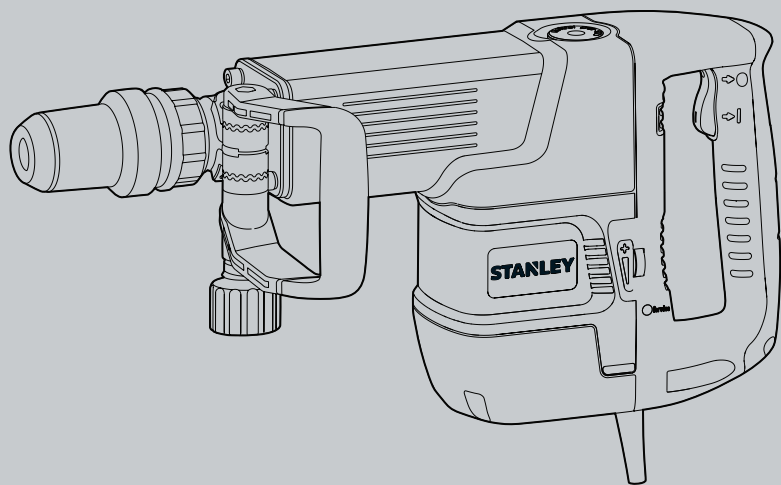


# STANLEY



STHM10

English 4  
简体中文 9

Figure 1

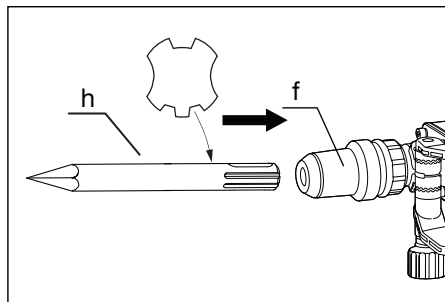
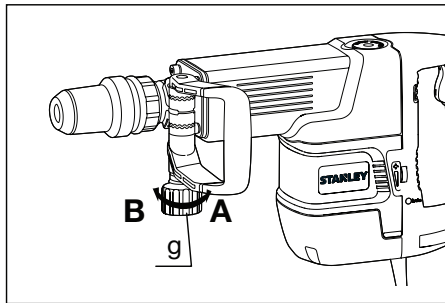
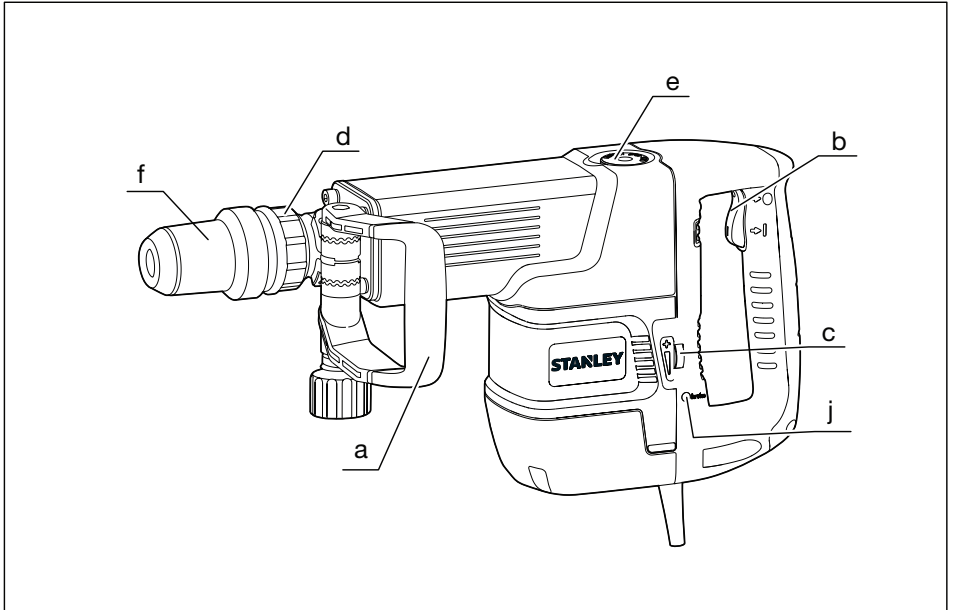


Figure 2

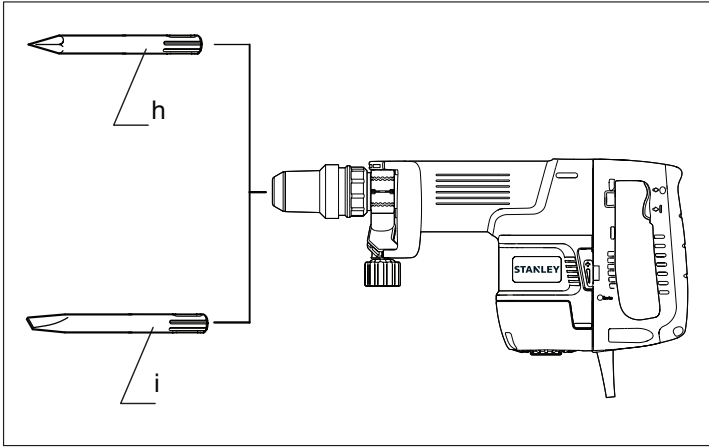


Figure 3

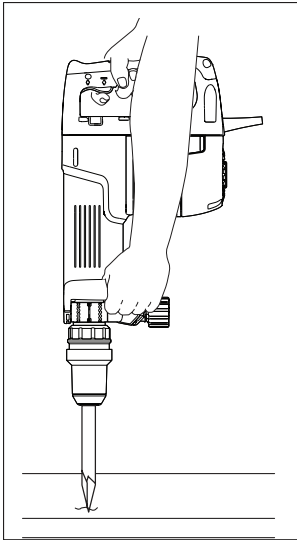
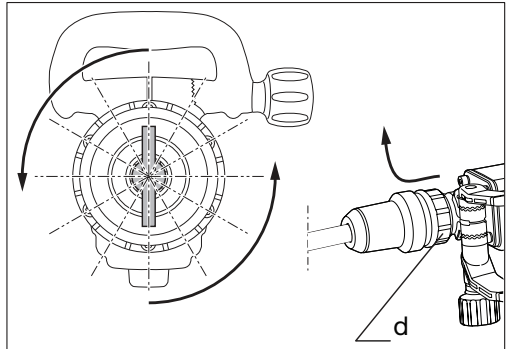


Figure 4



# Demolition Hammer STHM10

## Technical data

SPECIFICATION	STHM10-A9	
Voltage	V	220
Frequency	Hz	50
Power	W	1600
Impact rate	bpm	900-1890
Impact energy	J	5-25
Chisel positions		12
Chuck type		SDS Max
Weight	kg	10.5

## Intended use

Your Stanley Demolition Hammer has been designed for heavy duty demolition, chipping and chiseling applications in concrete, brick, stone and other masonry materials.

## General Power Tool Safety Warnings



**WARNING!** Read all safety warnings and instructions. Failure to follow the warnings and instructions may result in electric shock, fire and/or serious injury.

### SAVE ALL WARNINGS AND INSTRUCTIONS FOR FUTURE REFERENCE.

The term "power tool" in the warnings refers to your mains-operated (corded) power tool or battery-operated (cordless) power tool.

#### 1. Work area safety

- a. **Keep work area clean and well lit.** Cluttered or dark areas invite accidents.
- b. **Do not operate power tools in explosive atmospheres, such as in the presence of flammable liquids, gases or dust.** Power tools create sparks which may ignite the dust or fumes.
- c. **Keep children and bystanders away while operating a power tool.** Distractions can cause you to lose control.

#### 2. Electrical safety

- a. **Power tool plugs must match the outlet. Never**

**modify the plug in any way. Do not use any adapter plugs with earthed (grounded) power tools.** Unmodified plugs and matching outlets will reduce risk of electric shock.

- b. **Avoid body contact with earthed or grounded surfaces such as pipes, radiators, ranges and refrigerators.** There is an increased risk of electric shock if your body is earthed or grounded.
- c. **Do not expose power tools to rain or wet conditions.** Water entering a power tool will increase the risk of electric shock.
- d. **Do not abuse the cord. Never use the cord for carrying, pulling or unplugging the power tool. Keep cord away from heat, oil, sharp edges or moving parts.** Damaged or entangled cords increase the risk of electric shock.
- e. **When operating a power tool outdoors, use an extension cord suitable for outdoor use.** Use of a cord suitable for outdoor use reduces the risk of electric shock.
- f. **If operating a power tool in a damp location is unavoidable, use a residual current device (RCD) protected supply.** Use of an RCD reduces the risk of electric shock.

#### 3. Personal safety

- a. **Stay alert, watch what you are doing and use common sense when operating a power tool. Do not use a power tool while you are tired or under the influence of drugs, alcohol or medication.** A moment of inattention while operating power tools may result in serious personal injury.
- b. **Use personal protective equipment. Always wear eye protection.** Protective equipment such as dust mask, non-skid safety shoes, hard hat, or hearing protection used for appropriate conditions will reduce personal injuries.
- c. **Prevent unintentional starting. Ensure the switch is in the off-position before connecting to power source and/or battery pack, picking up or carrying the tool.** Carrying power tools with your finger on the switch or energising power tools that have the switch on invites accidents.
- d. **Remove any adjusting key or wrench before turning the power tool on.** A wrench or a key left attached to a rotating part of the power tool may result in personal injury.
- e. **Do not overreach. Keep proper footing and balance at all times.** This enables better control of the power tool in unexpected situations.

- f. **Dress properly. Do not wear loose clothing or jewellery. Keep your hair, clothing and gloves away from moving parts.** Loose clothes, jewellery or long hair can be caught in moving parts.
- g. **If devices are provided for the connection of dust extraction and collection facilities, ensure these are connected and properly used.** Use of dust collection can reduce dust-related hazards.
4. **Power tool use and care**
- a. **Do not force the power tool. Use the correct power tool for your application.** The correct power tool will do the job better and safer at the rate for which it was designed.
- b. **Do not use the power tool if the switch does not turn it on and off.** Any power tool that cannot be controlled with the switch is dangerous and must be repaired.
- c. **Disconnect the plug from the power source and/or the battery pack from the power tool before making any adjustments, changing accessories, or storing power tools.** Such preventive safety measures reduce the risk of starting the power tool accidentally.
- d. **Store idle power tools out of the reach of children and do not allow persons unfamiliar with the power tool or these instructions to operate the power tool.** Power tools are dangerous in the hands of untrained users.
- e. **Maintain power tools. Check for misalignment or binding of moving parts, breakage of parts and any other condition that may affect the power tools operation. If damaged, have the power tool repaired before use.** Many accidents are caused by poorly maintained power tools.
- f. **Keep cutting tools sharp and clean.** Properly maintained cutting tools with sharp cutting edges are less likely to bind and are easier to control.
- g. **Use the power tool, accessories and tool bits etc. in accordance with these instructions, taking into account the working conditions and the work to be performed.** Use of the power tool for operations different from those intended could result in a hazardous situation.
5. **Service**
- a. **Have your power tool serviced by a qualified repair person using only identical replacement parts.** This will ensure that the safety of the power tool is maintained.

## Hammer safety warnings

- ◆ **Wear ear protectors.** Exposure to noise can cause hearing loss.
- ◆ **Use auxiliary handle(s), if supplied with the tool.** Loss of control can cause personal injury.
- ◆ **Hold power tool by insulated gripping surfaces when performing an operation where the cutting accessory may contact hidden wiring or its own cord.** Cutting accessory contacting a "live" wire may make exposed metal parts of the power tool "live" and could give the operator an electric shock.
- ◆ Be certain that the material being drilled does not conceal electric or gas service and that their locations have been verified with the utility companies.
- ◆ **Keep a firm grip on the tool at all times. Do not attempt to operate this tool without holding it with both hands.** Operating this tool with one hand will result in loss of control. Breaking through or encountering hard materials such as re-bar may be hazardous as well. Tighten the side handle securely before use.
- ◆ Ensure the chisel is secured in place before operating the tool.
- ◆ In cold-weather conditions or when the tool has not been used for a longer period of time, let the tool run with no load for several minutes before use.
- ◆ When working above ground level ensure the area below is clear.
- ◆ Do not touch the chisel or the parts close to the chisel immediately after operation, as they may be extremely hot and cause burns to the skin.
- ◆ Always direct the power cable to the rear, away from the chisel.
- ◆ **Do not operate this tool for long periods of time.** Vibration caused by hammer action may be harmful to your hands and arms. Use gloves to provide extra cushion and limit exposure by taking frequent rest periods.

## Other risks

Additional residual risks may arise when using the tool which may not be included in the enclosed safety warnings. These risks can arise from misuse, prolonged use etc. In spite of the application of the relevant safety regulations and the implementation of safety devices, certain risks cannot be avoided. These are:

- ◆ Injuries caused by touching any rotating/moving parts.
- ◆ Injuries caused when changing any parts, blades or accessories.
- ◆ Injuries caused by prolonged use of a tool. When using any tool for prolonged periods ensure you take regular breaks.
- ◆ Impairment of hearing.

- ◆ Health hazards caused by breathing dust developed when using your tool (example:- working with wood, especially oak, beech and MDF.)

## MARKINGS ON TOOL

The following symbols are shown on the tool:



**WARNING!** To reduce the risk of injury, the user must read the instruction manual.

## POSITION OF DATE CODE

The Date Code, which also includes the year of manufacture, is printed into the housing.

Example:

2014 XX JN  
Year of manufacturing

## ELECTRONIC IMPACT ENERGY CONTROL

The electronic impact energy control (c) offers the following advantages:

- use of smaller accessories without risk of breakage
- minimised break-out when chiselling soft or brittle materials
- optimal tool control for precise chiselling

## SERVICE REMINDER LIGHT

When the service reminder light (j) lights up or blinks, this will indicate that the cut-out carbon brushes will switch off the tool in approximately 8 hours. After that period, the light will go off and the tool will stop running. The tool must then be sent to a service center for service.

## SOFT START FEATURE

The soft start feature allows the impact rate to build up more slowly, thus preventing the chisel or point from "bouncing" around on the masonry when starting up.

## ELECTRICAL SAFETY



This tool is double insulated; therefore no earth wire is required. Always check that the power supply corresponds to the voltage on the rating plate.

- ◆ If the supply cord is damaged, it must be replaced by the manufacturer or an authorised Stanley Service Centre in order to avoid a hazard.

## USING AN EXTENSION CABLE

If it is necessary to use an extension cable, please use an approved extension cable that fits the tool's power input specifications (please refer to the technical data). The minimum

cross-sectional area of the conducting wire is 1.5 sq. mm. Cables should be untangled before reeling up. Please refer to the following table.

Cable cross-sectional area (mm <sup>2</sup> )		Cable rated current (Ampere)					
0.75		6					
1.00		10					
1.50		15					
2.50		20					
4.00		25					
		Cable length (m)					
		7.5	15	25	30	45	60
Voltage	Amperes	Cable rated current (Ampere)					
115	0 - 2.0	6	6	6	6	6	10
	2.1 - 3.4	6	6	6	6	15	15
	3.5 - 5.0	6	6	10	15	20	20
	5.1 - 7.0	10	10	15	20	20	25
	7.1 - 12.0	15	15	20	25	25	-
	12.1 - 20.0	20	20	25	-	-	-
230	0 - 2.0	6	6	6	6	6	6
	2.1 - 3.4	6	6	6	6	6	6
	3.5 - 5.0	6	6	6	6	10	15
	5.1 - 7.0	10	10	10	10	15	15
	7.1 - 12.0	15	15	15	15	20	20
	12.1 - 20.0	20	20	20	20	25	-

## FEATURES

This tool includes some or all of the following features.

- Side Handle
- Switch
- Electronic impact energy control dial
- Chisel position index collar
- Lube oil-injection inlet
- Tool holder / sleeve
- Service indicator

## ASSEMBLY AND ADJUSTMENTS



**WARNING:** To reduce the risk of injury, turn unit off and disconnect machine from power source before installing and removing accessories, before adjusting or changing set-ups or when making repairs. Be sure the trigger switch is in the OFF position. An accidental start-up can cause injury.

## INSERTING AND REMOVING SDS-MAX ACCESSORIES (fig. 1)

This tool uses SDS-MAX chisels (refer to the inset in figure 1 for a cross-section of a chisel shank). We recommend to use professional accessories only.

- Clean and grease the chisel shank.



**CAUTION:** Do not apply lubricant to the machine.

2. Insert the chisel shank into the bit holder/tool sleeve (f). Press and turn the chisel slightly until the sleeve snaps into position.
3. Pull on the chisel to check if it is properly locked. The hammering function requires the chisel to be able to move axially several centimetres when locked in the tool holder.
4. To remove a chisel, pull back the tool holder/ sleeve (f) and pull the chisel out of the tool holder.



**WARNING:** Always wear gloves when you change accessories. The exposed metal parts on the tool and accessory may become extremely hot during operation.

### INDEXING THE CHISEL POSITION (fig. 4)

The chisel can be indexed and locked into 12 different positions.

1. Insert the chisel as described above.
2. Pull forward and rotate the chisel position collar (d) in the direction of the arrow until the chisel is in the desired position.

### SETTING THE ELECTRONIC IMPACT POWER CONTROL DIAL (fig. 1)

Turn the dial (c) to the desired level. The higher the number, the greater the impact energy. With dial settings from «1» (low) to «6» (full power) the tool is extremely versatile and adaptable for many different applications.

The required setting is a matter of experience, for example:

- when chiselling soft, brittle materials or when minimum break-out is required, set the dial to «1» or «2» (low);
- when breaking harder materials, set the dial to «6» (full power).

### FITTING THE SIDE HANDLE (fig. 1)

The side handle (a) can be mounted on the front of the machine to suit both RH- and LH-users.



**WARNING:** Always operate the machine with the side handle properly mounted..

1. Unscrew the side handle clamp knob (g).
2. Adjust the side handle (a) to the desired angle.
3. Slide and rotate the side handle to the desired position.
4. Lock the side handle in place by tightening the clamp knob (g).

## OPERATION INSTRUCTIONS FOR USE



**WARNING:**

- Always observe the safety instructions and applicable regulations.
- Be aware of the location of pipework and wiring.
- Apply a pressure of approx. 20 - 30 kg to the tool. Excessive force does not speed up chiselling but decreases tool performance and may shorten tool life.
- Always hold the tool firmly with both hands and ensure a secure stance (fig. 3). Always operate the tool with the side handle properly mounted.

### PROPER HAND POSITION (fig. 3)



**WARNING:** To reduce the risk of serious personal injury, **ALWAYS** use proper hand position as shown.



**WARNING:** To reduce the risk of serious personal injury, **ALWAYS** hold securely in anticipation of a sudden reaction.

Proper hand position requires one hand on the side handle (a), with the other hand on the main handle.

### SWITCHING ON AND OFF (fig. 1)

1. To run the tool, press the switch(b) and turn it in 'I' position.
2. To stop the tool, turn it in 'O' position and release the switch(b).

### DEMOLITION, CHISELING AND CHANNELLING (fig. 1)

1. Select the appropriate chisel, and clean and grease its shank.
2. Insert the chisel and check whether it is properly locked.
3. Set the desired impact energy level.
4. Fit and adjust the side handle (a) and make sure it is firmly tightened.
5. Hold the tool at main handle and side handle (a) and switch on. The tool now runs in continuous operation.
6. Always switch off the tool when work is finished and before unplugging.

Various types of chisels are available as an option.

Only Stanley recommended accessories should be used with this product.



**WARNING:**

- ◆ Do not use this tool to mix or pump easily combustible or explosive fluids (benzine, alcohol, etc.).
- ◆ Do not mix or stir inflammable liquids labelled accordingly.

## MAINTENANCE

Your Stanley corded/cordless appliance/tool has been designed to operate over a long period of time with a minimum of maintenance. To ensure satisfactory operations, the tool must be maintained and cleaned regularly.

- This machine is not user-serviceable. Take the tool to an authorised Stanley repair agent after approximately 100 hours of use. If problems occur before this time contact an authorised Stanley repair agent.

## ACCESSORY MAINTENANCE (fig. 2)

Accessory maintenance at the right time guarantees optimal results in application and a long and efficient accessory life. Grind the chisels on grinding discs. Refer to figure 2 for the appropriate angles of the following chisels:

- Pointed chisel (h)
- Flat chisel (i)



**WARNING:** These chisels can be reground only a limited number of times. If in doubt, contact your dealer for recommendations.



**WARNING:** Ensure that the cutting edge does not show discolouration caused by too much pressure. This may impair the hardness of the accessory.



## LUBRICATION

- ◆ Open the cap of the lube oil-injection inlet(e), check the lube oil in the gearbox, if the lube oil is dirty or insufficient, replace or add the adequate amount of lube oil provided by the company.



## CLEANING



**WARNING:** Blow dirt and dust out of the main housing with dry air as often as dirt is seen collecting in and around the air vents. Wear approved eye protection and approved dust mask when performing this procedure.



**WARNING:** Never use solvents or other harsh chemicals for cleaning the non-metallic parts of the tool. These chemicals may weaken the material of the parts. Use only mild soap and damp cloth to clean the tool. Never let any liquid get inside the tool; never immerse any part of the tool into liquid.

## OPTIONAL ACCESSORIES



**WARNING:** Since accessories, other than those offered by Stanley, have not been tested with this product, use of such accessories with this tool could be hazardous. To reduce the risk of injury, only Stanley recommended accessories should be used with this product.

Consult your dealer for further information on the appropriate accessories.

## PROTECTING THE ENVIRONMENT



Separate collection. This product must not be disposed of with normal household waste.

Should you find one day that your Stanley product needs replacement, or if it is of no further use to you, do not dispose of it with household waste. Make this product available for separate collection.



Separate collection of used products and packaging allows materials to be recycled and used again. Re-use of recycled materials helps prevent environmental pollution and reduces the demand for raw materials.

Local regulations may provide for separate collection of electrical products from the household, at municipal waste sites or by the retailer when you purchase a new product

## REMARKS

- ◆ Stanley's policy is one of continuous improvement to our products and as such, we reserve the right to modify product specifications without prior notice.
- ◆ Standard equipment and accessories may vary by country.
- ◆ Product specifications may differ by country.
- ◆ Complete product range may not be available in all countries. Contact your local Stanley dealers for range availability.



# STHM10

## 电镐

### 技术数据

电镐	STHM10-A9	
电压	V	220
频率	Hz	50
输入功率	W	1600
冲击率	bpm	900-1890
冲击能量	J	5-25
凿子位置		12
夹头类型		SDS Max
重量	kg	10.5

### 设计用途

您的史丹利重载电镐设计用于在混凝土、砖块和石头和其他砖石材料上进行重载破坏、切削和雕楼应用。

### 安全说明

#### 电动工具通用安全警告



**警告！** 阅读所有警告和所有说明。不遵照以下警告和说明会导致电击、着火和/或严重伤害。

保存所有警告和说明书以备查阅。在所有下列的警告中术语“电动工具”指市电驱动（有线）电动工具或电池驱动（无线）电动工具。

#### 1. 工作场地的安全

- 保持工作场地清洁和明亮。混乱和黑暗的场地会引发事故。
- 不要在易爆环境，如有易燃液体、气体或粉尘的环境下操作电动工具。电动工具产生的火花会点燃粉尘或气体。
- 让儿童和旁观者离开后操作电动工具。注意力不集中会使你失去对工具的控制。

#### 2. 电气安全

- 电动工具插头必须与插座相配。绝不能以任何方式改装插头。需接地的电动工具不能使用任何转换插头。未经改装的插头和相配的插座将减少电击危险。
- 避免人体接触接地表面，如管道、散热片和冰箱。如果你身体接地会增加电击危险。
- 不得将电动工具暴露在雨中或潮湿环境中。水进入电动工具将增加电击危险。
- 不得滥用电线。绝不能用电线搬运、拉动电动工具或拔出其插头。使电线远离热源、油、锐边或运动部件。受损或缠绕的软线会增加电击危险。
- 当在户外使用电动工具时，使用适合户外的使用的外接软线。适合户外使用的软线将减少电击危险。
- 如果在潮湿环境下操作电动工具是不可避免的，应使用剩余电流动作保护器（RCD）。使用RCD可减小电击危险。

#### 3. 人身安全

- 保持警觉，当操作电动工具时关注所从事的操作并保持清醒。当你感到疲倦，或在有药物、酒精或治疗反应时，不要操作电动工具。在操作电动工具时瞬间的疏忽会导致严重人身伤害。
- 使用个人防护装置。始终佩戴护目镜。安全装置，诸如适当条件下使用防尘面具、防滑安全鞋、安全帽、听力防护等装置能减少人身伤害。
- 防止意外起动。确保开关在连接电源和/或电池盒、拿起或搬运工具时处于关断位置。手指放在已接通电源的开关上或开关处于接通时插入插头可能会导致危险。
- 在电动工具接通之前，拿掉所有调节钥匙或扳手。遗留在电动工具旋转零件上的扳手或钥匙会导致人身伤害。
- 手不要伸展得太长。时刻注意立足点和身体平衡。这样在意外情况下能很好地控制电动工具。
- 着装适当。不要穿宽松衣服或佩戴饰品。让你的衣服、手套和头发远离运动部件。宽松衣服、配饰或长发可能会卷入运动部件中。
- 如果提供了与排屑、集尘设备连接用的装置，要确保他们连接完好且使用得当。使用这些装置可减少尘屑引起的危险。

#### 4. 电动工具使用和注意事项

- 不要滥用电动工具，根据用途使用适当的电动工具。选用适当设计的电动工具会使你工作更有效、更安全。
- 如果开关不能接通或关断工具电源，则不能使用该电动工具。不能用开关来控制的电动工具是危险的且必须进行修理。

- c. 在进行任何调节、更换附件或贮存电动工具之前，必须从电源上拔掉插头和/或使电池盒与工具脱开。这种防护性措施将减少工具意外起动的危险。
  - d. 将闲置不用的电动工具贮存在儿童所及范围之外，并且不要让不熟悉电动工具或对这些说明不了解的人操作电动工具。电动工具在未经培训的用户手中是危险的。
  - e. 保养电动工具。检查运动件是否调整到位或卡住，检查零件破损情况和影响电动工具运行的其他状况。如有损坏，电动工具应在使用前修理好。许多事故由维护不良的电动工具引发。
  - f. 保持切削刀具锋利和清洁。保养良好的有锋利切削刃的刀具不易卡住而且容易控制。
  - g. 按照使用说明书，考虑作业条件和进行的作业来使用电动工具、附件和工具的刀头等。将电动工具用于那些与其用途不符的操作可能会导致危险。
5. 维修
- a. 将你的电动工具送交专业维修人员，使用同样的备件进行修理。这样将确保所维修的电动工具的安全性。

## 锤类工具的安全警告

- ◆ 戴好耳罩。暴露在噪声中会引起听力损伤。
- ◆ 使用随工具提供的辅助手柄。操作失手会引起人身伤害。
- ◆ 在切削附件可能触及暗线或其自身软线之处进行操作时，要通过绝缘握持面来握持工具。切削附件碰到带电导线会使工具外露的金属零件带电从而使操作者受到电击。
- ◆ 钻具可能接触隐藏的电线或工具本身的电源线时，请握住绝缘手柄表面。钻具如果接触到“带电”导线，工具金属部件表面就会“带电”并使操作人员触电。
- ◆ 请注意要进行钻孔的材料是否具有隐藏的电线或煤气管，并且已经与公用事业局确认其位置。
- ◆ 时刻紧握工具。切勿尝试在不使用双手握住工具时操作此工具。单手操作此工具会导致失控。穿透或遇到坚硬材料（如钢筋）也可能发生危险。使用前请务必稳固旋转手柄。
- ◆ 操作工具前请确保凿子固定到位。
- ◆ 在寒冷天气中或在长时间不使用工具时，使用前应让工具空载运转数分钟。
- ◆ 在高于地面的位置操作时，请确保操作的下方区域无障碍。

- ◆ 在操作后不得立即触碰凿子或靠近凿子的部件，它们可能非常热且会导致皮肤灼伤。
- ◆ 始终将电缆放在后面，远离凿子。
- ◆ 切勿长时间操作此工具。锤打操作导致的振动可能会伤害您的手部和手臂。使用手套提供额外的衬垫保护。

## 其他风险

使用工具时，可能出现本安全警示之外的其他剩余风险。这些风险可能来自使用不当，使用时间过长等。尽管遵守了相关的安全法规并采用了安全装备，某些风险仍然是无法避免的。这些风险包括：

- ◆ 接触旋转/运动部件时所导致的伤害风险。
- ◆ 更换部件、锯片或附件时所导致的伤害风险。
- ◆ 长期使用工具所导致的伤害风险。长期使用任何工具时，均应定期休息。
- ◆ 听力损伤。
- ◆ 吸入工具使用过程中产生的粉尘导致的健康危害（例如，锯切木材，特别是橡木、山毛榉和中密度纤维板时）。

## 工具上的标签

工具上显示了下列符号：



**警告！**为降低伤害风险，用户必须阅读使用手册。

## 日期码位置

日期码印在工具外壳上，其中还包含制造年份。

例如： 2014 XX JN

制造年份

## 电子冲击能量控制

电子冲击能量控制提供下列好处：

- ◆ 使用较小型附件，无破损风险
- ◆ 在凿切软质或易脆材料时可最大程度降低破損。
- ◆ 是精确凿切的最佳工具。

## 保养提示灯

当保养提示灯 (j) 亮起或闪烁，这将表明，即将用完的碳刷将在约8小时后关闭该工具。然后，指示灯会熄灭，该工具将停止工作。

## 软启动功能

软启动功能允许更慢地建立冲击率，可在启动时防止凿子或尖端在砖石上“振跳”。

## 电气安全



本工具采用双重绝缘，因此无需接地线。请务必检查电源电压是否与铭牌上的电压一致。

- ◆ 如果电源线损坏，必须由制造商或史丹利授权服务中心更换，以避免发生危险。

## 使用延长线缆

如果需要使用延长线，请使用与此工具(参见技术资料)匹配的经认证延长线。导线最小横截面积为1.5平方毫米。使用线缆卷筒时，应将线缆完全展开。

导体尺寸 (mm <sup>2</sup> )	线缆标称值 (安培)						
0.75	6						
1.00	10						
1.50	15						
2.50	20						
4.00	25						
线缆长度 (米)	7.5 15 25 30 45 60						
电压	安培	线缆标称值 (安培)					
115	0-2.0	6	6	6	6	6	10
	2.1-3.4	6	6	6	6	15	15
	3.5-5.0	6	6	10	15	20	20
	5.1-7.0	10	10	15	20	20	25
	7.1-12.0	15	15	20	25	25	-
230	12.1-20.0	20	20	25	-	-	-
	0-2.0	6	6	6	6	6	6
	2.1-3.4	6	6	6	6	6	6
	3.5-5.0	6	6	6	6	10	15
	5.1-7.0	10	10	10	10	15	15
7.1-12.0	15	15	15	15	20	20	
12.1-20.0	20	20	20	20	25	-	

## 部件名称

本工具包含如下部分或全部部件：

- 侧手柄
- 开关
- 电子冲击能量控制盘
- 凿子位置标记轴环
- 油盖
- 工具固定器套管
- 保养提示灯

## 组装与调整



警告：为降低人身伤害的风险，在拆、装配件或调整、修理工具之前，请关闭工具并拔下工具插头。请确保触发开关处于关闭位置。意外启动容易造成人身伤害。

## 插入和取出SDS-Max附件 (图1)

本工具使用SDS-Max凿子（请参阅插图中的图1获取凿子的横截面图）。我们建议您仅使用专业附件。

1. 清洁和用油润滑凿子尾柄。

注意：切勿在机器上使用润滑剂。



2. 将凿子插入工具固定器 / 套管 (f)。按下并稍微转动凿子直到套管卡入定位。
3. 拉动凿子以检查它是否正确锁定。锤打功能需要凿子在锁定到工具固定器中时可以轴向移动数厘米。
4. 要取出凿子请向后拉工具固定器 / 套筒 (f)，然后将凿子从工具固定器中拉出。



警告：附件时请务必佩戴手套。工具和附件上的裸露金属部分可能会在操作过程中变得非常热。

## 标记凿子位置 (图4)

可标记凿子并将它锁定在12个不同的位置中。

1. 按照上述说明插入凿子。
2. 按照箭头方向旋转凿子位置轴环 (d)，直到凿子位于所需位置。

## 设置电子冲击能量控制盘 (图1)

将控制盘 (c) 转动至所需等级。号码越高，冲击能量就越大。控制盘设置从《1》（低）至《6》（全功率），使工具拥有各种功能并适用于许多不同应用。

依据经验设置所需操作，例如：

- 在凿切软质、易脆材料或在需要最大限度降低破损时，将控制盘设置至《1》（低）至《2》（低）；
- 在钻穿硬质材料时，将控制盘设置至《6》（全功率）。

## 安装侧手柄 (图1)

侧手柄 (a) 可安装在合适右手和左手用户使用的位置。



**警告：**在侧手柄未正确组装时，切勿使用工具。

1. 转松侧手柄夹钳旋钮 (g)。
2. 将侧手柄 (a) 调整至所需的角度。
3. 将侧手柄滑动和旋转至所需位置。
4. 通过转紧夹钳旋钮 (g) 将侧手柄锁定到位。

## 操作使用说明



**警告：**

- 请始终遵守安全守则以及适用规则的要求。
- 注意水管和电线的布线位置。
- 对工具施加约20-30千克的压力。过度用力不会加快凿切，而且会降低工具性能并可能缩短工具使用寿命。
- 务必用双手紧握工具并确保保持固定的位置 (图3)。务必在正确安装侧手柄后才操作工具。

## 正确手部位置 (图3)



**警告：**为降低严重的人身伤害风险，始终适用正确的手部位置，如图所示。



**警告：**为降低严重的人身伤害风险，始终紧握工具预防意外事件。

正确的手部位置要求一只手握住侧手柄 (a)，另一只手则握住主手柄。

## 打开和关闭 (图1)

1. 如果要使用工具，请按下开关(b)，使其呈开启模式 'I'。
2. 如果要停止工具，请转换为关闭模式 'O'，并放开开关(b)。

## 破坏、雕镂和凿槽 (图1)

1. 选择适当的凿子，并清洁和用油润滑凿杆。
2. 插入凿子并检查它是否正确锁定到位。
3. 设置所需的冲击能量等级。
4. 安装和调整侧手柄 (a) 并确定它稳固锁紧。
5. 用双手紧握主手柄和侧手柄并打开电源。现在，工具以连续操作运行。
6. 在工作完毕、拔下工具插头之前，请务必关闭工具开关。

备有各种类型的凿子选件供选择。  
本产品仅可使用史丹利推荐的附件。



**警告：**

- ◆ **警告：**切勿使用本工具混合或搅动易燃或易爆液体 (汽油、酒精等)。
- ◆ 切勿混合或搅拌具有易燃标签的液体。

## 维护

本史丹利有线/无线设备/工具设计精良，可以长期使用，而且只需极少的维护。要持续获得令人满意的工作效果，需要对工具进行适当的维护和定期清洁。

- ◆ 本工具不是用户可以检修的器具。在您的工具经过100小时的使用之后，请将它送往授权的史丹利维修代理。如果在这之前出现问题，请与授权的史丹利维修代理联系。

## 附件保养 (图2)

在正确时间进行附件保养，可确保应用的最佳结果以及长而有效的附件寿命。

用磨片研磨凿子。请参阅图2以获得下列凿子的适当角度：

尖凿 (h)

平凿 (i)



**警告：**这些凿子只能重新接地数次。若有疑问，请联络您的代理商以获得建议。



**警告：**确保刀刃不会因为过度压力而变色。这可能影响附件的硬度。



**润滑**

本电动工具无须另行润滑。



**清洁**



**警告！**一旦通风口和周围积聚了可见的粉尘请立即用干燥的压缩空气吹走主机外壳内的粉尘和灰尘。执行此过程时，需戴上经认可的护目装备和防尘面具。



**警告！**切勿使用溶剂或其他刺激性化学物质来清洁工具的非金属部件。这些化学物质可能会削弱这些部件使用的材料。请用布蘸中性的肥皂水擦拭。切勿让任何液体

渗入工具，切勿让工具的任何部分浸在液体中。

## 附件的选择



**警告！**由于非史丹利附件未经本产品匹配测试，本工具若使用此类附件，将存在隐患。为降低人身伤害风险，本产品仅可使用史丹利推荐的附件。

请向零售商咨询合适附件的更多信息。

## 保护环境



分类回收。本产品不得与普通家庭垃圾一起处理。

如果您发现您的史丹利产品需要更换或您已经不再需要使用这些产品，请不要将它们与家庭垃圾一起处理。请将它们单独分类回收。



分类回收使用过的产品和包装能够让材料得以再循环和再利用。再生材料的再利用有助于防止环境污染，并降低对原材料的需求。

当地法规可能要求由市政废物处理点或向您出售新产品的零售商提供从家庭中分类回收电气产品的服务。

## 备注

- ◆ 史丹利的政策是持续改善我们的产品，因此，我们保留随时变更产品规格的权利，恕不另行通知。
- ◆ 标准设备和配件可能会根据不同的国家而有所不同。
- ◆ 产品规格可能会根据不同的国家而有所不同。
- ◆ 并非所有的国家都有提供完整的产品系列。如需各产品系列的供应情况，请联络您当地的史丹利代理商。

制造商: 史丹利五金工具(上海)有限公司  
制造商地址: 上海市外高桥保税区泰谷路88号  
丰谷大楼六层676A室  
产地: 江苏启东





