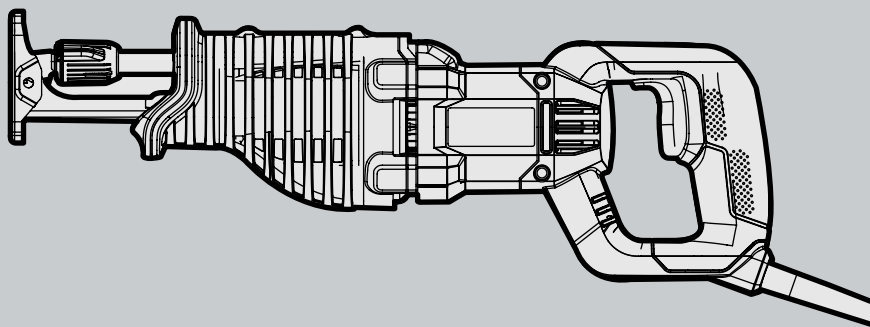


STANLEY

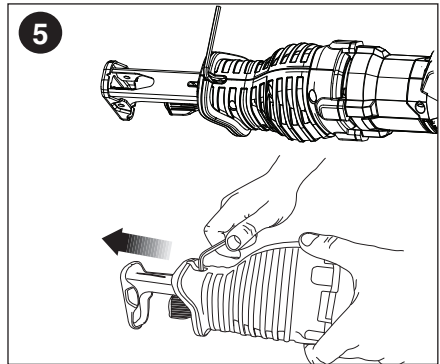
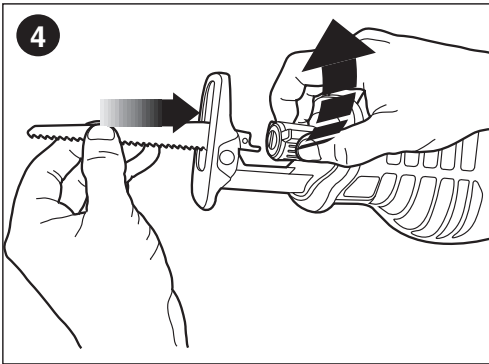
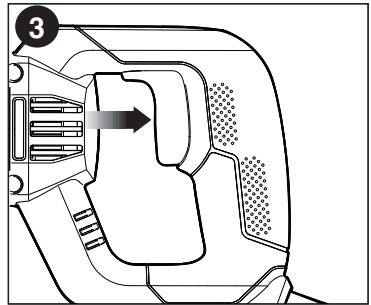
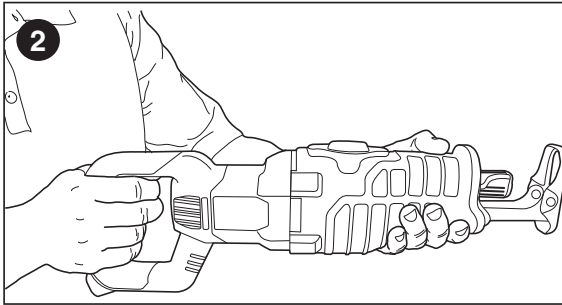
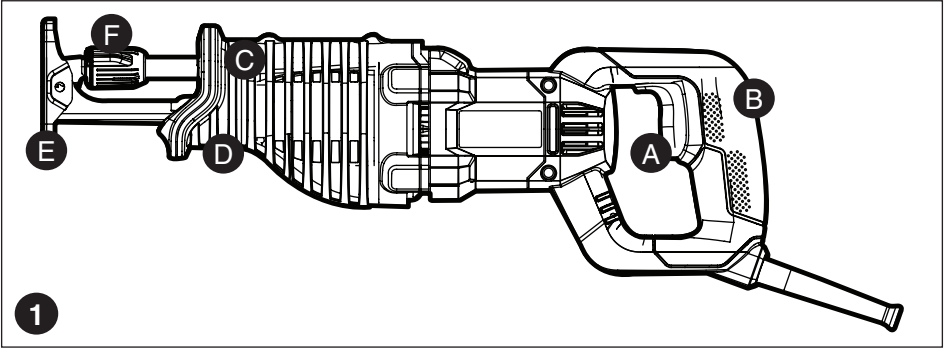
®

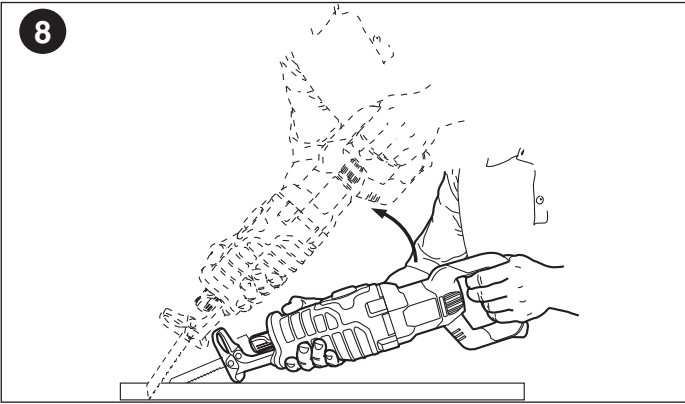
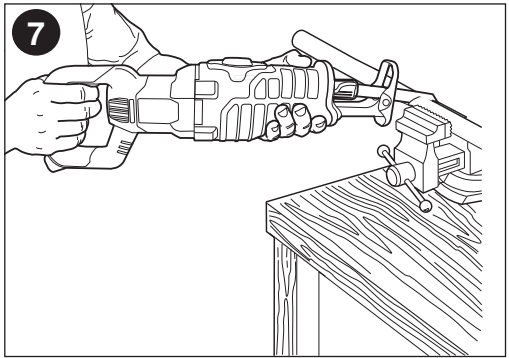
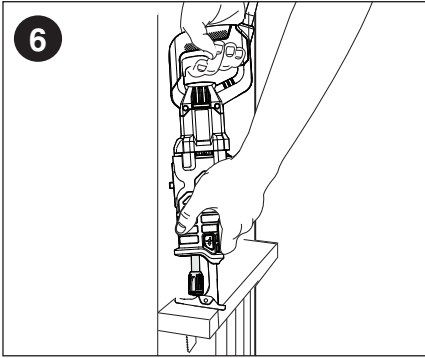


STEL365

English
简体中文

4
8





STEL365 Reciprocating Saw

TECHNICAL DATA

SPECIFICATION		STEL365
POWER	W	900
VOLTAGE	V	220-240
NO-LOAD SPEED	/min	0-3200
Weight	KG	3.2

INTENDED USE

Your Stanley hand-held saw has been designed for sawing wood, plastics and sheet metal.

GENERAL SAFETY RULES

Warning! Read all instructions. Failure to follow all instructions listed below may result in electric shock, fire and/or serious injury. The term “power tool” in all of the warnings listed below refers to your mains operated (corded) power tool or battery operated (cordless) power tool.

SAVE THESE INSTRUCTIONS


1. **Work area**
 - a. **Keep work area clean and well lit.** Cluttered and dark areas invite accidents.
 - b. **Do not operate power tools in explosive atmospheres, such as in the presence of flammable liquids, gases or dust.** Power tools create sparks which may ignite the dust or fumes.
 - c. **Keep children and bystanders away while operating a power tool.** Distractions can cause you to lose control.
2. **Electrical safety**
 - a. **Power tool plugs must match the outlet. Never modify the plug in any way. Do not use any adapter plugs with earthed (grounded) power tools.** Unmodified plugs and matching outlets will reduce risk of electric shock.
 - b. **Avoid body contact with earthed or grounded surfaces such as pipes, radiators, ranges and refrigerators.** There is an increased risk of electric shock if your body is earthed or grounded.
 - c. **Do not expose power tools to rain or wet conditions.** Water entering a power tool will increase the risk of electric shock.
 - d. **Do not abuse the cord. Never use the cord for carrying, pulling or unplugging the power tool. Keep cord away from heat, oil, sharp edges or moving parts.** Damaged or entangled cords increase the risk of electric shock.
 - e. **When operating a power tool outdoors, use an extension cord suitable for outdoor use.** Use of a cord suitable for outdoor use reduces the risk of electric shock.
- f. **If operating a power tool in a damp location is unavoidable, use a residual current device (RCD) protected supply.** Use of an RCD reduces the risk of electric shock.
3. **Personal safety**
 - a. **Stay alert, watch what you are doing and use common sense when operating a power tool. Do not use a power tool while you are tired or under the influence of drugs, alcohol or medication.** A moment of inattention while operating power tools may result in serious personal injury.
 - b. **Use safety equipment. Always wear eye protection.** Safety equipment such as dust mask, non-skid safety shoes, hard hat, or hearing protection used for appropriate conditions will reduce personal injuries.
 - c. **Prevent unintentional starting. Ensure the switch is in the off-position before connecting to power source and/or battery pack, picking up or carrying the tool.** Carrying power tools with your finger on the switch or energising power tools that have the switch on invites accidents.
 - d. **Remove any adjusting key or wrench before turning the power tool on.** A wrench or a key left attached to a rotating part of the power tool may result in personal injury.
 - e. **Do not overreach. Keep proper footing and balance at all times.** This enables better control of the power tool in unexpected situations.
 - f. **Dress properly. Do not wear loose clothing or jewellery. Keep your hair, clothing and gloves away from moving parts.** Loose clothes, jewellery or long hair can be caught in moving parts.
 - g. **If devices are provided for the connection of dust extraction and collection facilities, ensure these are connected and properly used.** Use of these devices can reduce dust related hazards.
4. **Power tool use and care**
 - a. **Do not force the power tool. Use the correct power tool for your application.** The correct power tool will do the job better and safer at the rate for which it was designed.
 - b. **Do not use the power tool if the switch does not turn it on and off.** Any power tool that cannot be controlled with the switch is dangerous and must be repaired.
 - c. **Disconnect the plug from the power source and/or the battery pack from the power tool before making any adjustments, changing accessories, or storing power tools.** Such preventive safety measures reduce the risk of starting the power tool accidentally.
 - d. **Store idle power tools out of the reach of children and do not allow persons unfamiliar with the power tool or these instructions to**

- operate the power tool.** Power tools are dangerous in the hands of untrained users.
- e. **Maintain power tools. Check for misalignment or binding of moving parts, breakage of parts and any other condition that may affect the power tools operation. If damaged, have the power tool repaired before use.** Many accidents are caused by poorly maintained power tools.
- f. **Keep cutting tools sharp and clean.** Properly maintained cutting tools with sharp cutting edges are less likely to bind and are easier to control.
- g. **Use the power tool, accessories and tool bits etc., in accordance with these instructions, taking into account the working conditions and the work to be performed.** Use of the power tool for operations different from those intended could result in a hazardous situation.

5. Service

- a. **Have your power tool serviced by a qualified repair person using only identical replacement parts.** This will ensure that the safety of the power tool is maintained.

Additional power tool safety warnings

 Warning! Additional safety warnings for hand-held saws.

- **Hold power tool by insulated gripping surfaces, when performing an operation where the cutting accessory may contact hidden wiring or its own cord.** Cutting accessory contacting a "live" wire may make exposed metal parts of the power tool "live" and could give the operator an electric shock.
- **Use clamps or another practical way to secure and support the work piece to a stable platform.** Holding the work by hand or against your body leaves it unstable and may lead to loss of control.
- **Hold saw firmly with both hands for all cutting operations.** During cutting operations, the blade may suddenly bind in the work and may cause the saw to kickback towards the operator.
- **Keep hands away from cutting area.** Never reach underneath the material for any reason. Hold front of saw by grasping the contoured gripping area. Do not insert fingers or thumb into the vicinity of the reciprocating blade and blade clamp. Do not stabilize the saw by gripping the shoe.
- **Keep blades sharp.** Dull blades may cause the saw to swerve or stall under pressure.
- **Use extra caution when cutting overhead** and pay particular attention to overhead wires, gas or water lines, which may be hidden from view. Anticipate the path of falling branches and debris ahead of time.

- **When cutting pipe or conduit** ensure that they are free from water, electrical wiring, etc.
- **Do not touch the work piece or the blade immediately after operating the tool.** They can become very hot.

Labels on tools



Warning! To reduce the risk of injury, the user must read the instruction manual.

Electrical safety








This tool is double insulated; therefore no earth wire is required. Always check that the power supply corresponds to the voltage on the rating plate.

- This appliance is not intended for use by young or infirm persons without supervision. Children must be supervised to ensure they do not play with the appliance.
- If the supply cord is damaged, it must be replaced by the manufacturer or an authorised Stanley Service Centre in order to avoid a hazard.

Symbols

The label on your tool may include the following symbols:

V	volts
A	Amperes
Hz	Hertz
W	Watts
min.	Minutes
	Alternating current
	Direct current
n_0	No load speed
	Class II Construction
	Earthing terminal
	Safety alert symbol
.../min	Revolutions or reciprocation per minute
.../bpm	Beats per minute

Features (Fig. 1)

- Trigger Switch
- Main Handle
- Secondary Gripping Handle
- Adjustable Shoe Screws
- Adjustable Shoe
- Blade Clamp

Assembly and Adjustment

⚠ WARNING: CUT HAZARD. Turn off and disconnect tool from power source before making any adjustments or removing or installing attachments or accessories.

⚠ WARNING: Hold saw firmly with both hands for all cutting operations.

⚠ WARNING: Inspect work area for hidden electrical wiring, gas pipes or water pipes before making blind or plunge cuts. Failure to do so may result in electrical shock, fire, explosion, or property damage.

⚠ WARNING: CUTHAZARD. Blade breakage may occur if the blade does not extend past the shoe and the workpiece during the cut. Increased risk of personal injury, as well as damage to the shoe and workpiece may result.

⚠ WARNING: ALWAYS use safety glasses. Everyday eyeglasses are NOT safety glasses. Also use face or dust mask if cutting operation is dusty. ALWAYS WEAR CERTIFIED SAFETY EQUIPMENT.

⚠ WARNING: CUT HAZARD. Before cutting any type of material, be sure it is firmly anchored or clamped to prevent slipping.

- Switch on saw motor before applying pressure.
- Place blade lightly against work to be cut.

⚠ WARNING: CUT HAZARD. Never hold and use the product with your fingers wrapped around shoe adjustment button. Always hold saw firmly with both hands while cutting as shown in **Figure 2**. Whenever possible, the saw shoe must be held firmly against the material being cut. This will prevent the saw from jumping or vibrating and minimize blade breakage.

VARIABLE SPEED SWITCH (fig.3)

The variable speed trigger switch will give you added versatility. The further the trigger is depressed the higher the speed of the saw. To turn the tool "OFF" release the trigger.

⚠ WARNING: CUTHAZARD. This tool has no provision to lock the switch in the ON position, and should never be locked in the ON position by any other means.

BLADE INSTALLATION AND REMOVAL (fig.4)

⚠ WARNING: CUT HAZARD. Turn off and disconnect tool from power source before making any adjustments or removing or installing attachments or accessories.

The blade should extend past the shoe and the thickness of the workpiece during the cut. Select the blade best suitable for the material to be cut and use the shortest blade suitable for the thickness of the material. Do not use jigsaw blades with this tool.

⚠ WARNING: CUT HAZARD. Blade breakage may occur if the blade does not extend past the shoe and the workpiece during the cut. Increased risk of personal injury, as well as damage to the shoe and workpiece may result.

TO INSTALL BLADE INTO SAW

1. Point tool away from body.
2. Rotate blade clamp collar in the direction shown in fig.4.
3. Insert blade shank fully into blade clamp collar.
4. Release blade clamp collar to lock blade into position.

NOTE: Blade can be installed with the teeth up to assist in flush-to cutting.

TO REMOVE BLADE FROM SAW

⚠ WARNING: CUTHAZARD. Turn off and disconnect tool from power source before making any adjustments or removing or installing attachments or accessories.

⚠ WARNING: Burn hazard. Do not touch the blade immediately after use. Contact with the blade may result in personal injury.

1. Rotate blade clamp collar to release position.
2. Remove blade.

ADJUSTABLE SHOE (fig.5)

⚠ WARNING: CUT HAZARD. Blade breakage may occur if the blade does not extend past the shoe and the workpiece during the cut. Increased risk of personal injury, as well as damage to the shoe and workpiece may result.

⚠ WARNING: CUT HAZARD. Turn off and disconnect tool from power source before making any adjustments or removing or installing attachments or accessories. The shoe will adjust to limit the depth of cut. Using a M4(5/32in.) hex wrench (not supplied), loosen the screws (Figure5) and slide the shoe out to the desired depth then retighten screws securely.

⚠ CAUTION: CUTHAZARD. To prevent loss of control, never use tool without shoe.

⚠ CAUTION: RISK OF PERSONAL INJURY AND PROPERTY DAMAGE. Ensure the shoe is locked into position before using tool.

FLUSH CUTTING (fig.6)

- The compact design of the reciprocating saw motor housing and pivoting shoe permit close cutting to floors, corners and other difficult areas.
- To maximize flush cutting capabilities, insert the blade shaft into the blade clamp with the teeth of the blade facing up.
- Turn the saw upside down so you are as close to the work surface as possible.

METALCUTTING (fig.7)

- Use a finer blade for ferrous metals and a coarse blade for non-ferrous materials.
- In thin gauge sheet metals it is best to clamp wood to the underside of the sheet. This will ensure a clean cut without excess vibration or tearing of metal.
- Avoid forcing cutting blade as this reduces blade life and causes costly blade breakage.

NOTE: Spread a thin film of oil or other coolant along the line ahead of the saw cut for easier operation and longer blade life.

POCKET CUTTING-WOODONLY (fig.8)

- Measure the surface area to be cut and mark clearly with a pencil, chalk or scribe.
- Insert blade in blade clamp and tighten blade clamp securely.
- Tip the saw backward until the back edge of the shoe is resting on the work surface and the fully extended moving blade will clear the surface.
- Grip unit with both hands, switch motor on permitting blade to obtain maximum speed.
- Begin a slow, deliberate upward swing with the main handle of the saw.
- The blade will begin to feed into material. Always be sure blade is completely through material before continuing with pocket cut.

NOTE: In areas where blade visibility is limited, use the edge of the shoe as a guide.

PROJECT TIPS

- Cut only with sharp blades; they cut cleaner, faster and put less strain on the motor while cutting.
- When cutting, always ensure that the shoe is held firmly against the workpiece and the workpiece is secured from moving/deflecting. This will improve operator control and minimize vibration.
- For longer blade life, use bi-metal blades. These utilize a carbon steel back welded to high speed steel teeth making the blade more flexible and less prone to breaking.

ACCESSORIES

This saw will accept up to a 12 inch long blade. Always use the shortest blade suitable for your project but long enough to keep the blade cutting through the material. Longer blades are more likely to be bent or damaged during use. During operation some longer blades may vibrate or shake if the saw is not kept in contact with the workpiece.

⚠ WARNING: Since accessories, other than those offered by Stanley, have not been tested with this product, use of such accessories with this tool could be hazardous. To reduce the risk of injury, only Stanley recommended accessories should be used with this product.

Maintenance

Your Stanley tool has been designed to operate over a long period of time with a minimum of maintenance. Continuous satisfactory operation depends upon proper tool care and regular cleaning.

Warning! Before performing any maintenance, switch off and unplug the tool.

- Regularly clean the ventilation slots in your tool using a soft dry brush or dry cloth.
- Regularly clean the motor housing using a clean damp cloth. Do not use any abrasive or solvent-based cleaner.

Service Information

Stanley offers a full network of company-owned and authorized service locations throughout Asia. All Stanley Service Centers are staffed with trained personnel to provide customers with efficient and reliable power tool service. Whether you need technical advice, repair, or genuine factory replacement parts, contact the Stanley location nearest to you.

Notes

- Stanley's policy is one of continuous improvement to our products and, as such, we reserve the right to change product specifications without prior notice.
- Standard equipment and accessories may vary by country.
- Product specifications may differ by country.
- Complete product range may not be available in all countries. Contact your local Stanley dealers for range availability.

STEL365 往复锯

技术参数

规格	STEL365	
功率	瓦特	900
电压	伏特	220
空载速度	/分钟	0-3200
重量	千克	3.2

设计用途

本史丹利手提式电锯的设计目的是锯切木材、塑料和金属板材。

一般安全规则

⚠ 警告！ 阅读所有警告和所有说明。不遵照以下警告和说明会导致电击、着火和/或严重伤害。

保存所有警告和说明书以备将来查阅。

在所有下列警告中术语“电动工具”指市电驱动（有线）电动工具或电池驱动（无线）电动工具。

a) 工作场地的安全

- 1) **保持工作场地清洁和明亮。** 混乱和黑暗的场地会引发事故。
- 2) **不要在易爆环境，如有易燃液体、气体或粉尘的环境下操作电动工具。** 电动工具产生的火花会点燃粉尘或气体。
- 3) **让儿童和旁观者离开后操作电动工具。** 注意力不集中会使操作者失去对工具的控制。

b) 电气安全

- 1) **电动工具插头必须与插座相配。绝不能以任何方式改装插头。** 需接地的电动工具不能使用任何转换插头。未经改装的插头和相配的插座将减少电击危险。
- 2) **避免人体接触接地表面，如管道、散热片、冰箱。** 如果你身体接地会增加电击危险。
- 3) **不得将电动工具暴露在雨中或潮湿环境中。** 水进入电动工具将增加电击危险。
- 4) **不得滥用电线。** 不能使用电线搬运、拉动电动工具或拔出其插头。使电线远离热源、油、锐边或运动部件。受损或缠绕的软线会增加电击危险。
- 5) **当在户外操作电动工具时，使用适合户外使用的外接软线。** 适合户外使用的软线将减少电击的危险。

- 6) **如果在潮湿的环境下操作电动工具是不可避免的，应使用剩余电流动作保护器 (RCD)。** 使用 RCD 可减小电击的危险。

c) 人身安全

- 1) **保持警觉。当操作电动工具时关注所从事的操作并保持清醒。当你感到疲倦，或在有药物、酒精或治疗反应时，不要操作电动工具。** 在操作电动工具时瞬间的疏忽会导致严重人身伤害。
 - 2) **使用个人防护装置。始终佩戴护目镜。** 安全装置，诸如适当条件下使用防尘面具、防滑安全鞋、安全帽，听力防护等装置能减少人身伤害。
 - 3) **防止意外起动。确保开关在连接电源和/或电池盒、拿起或搬运工具时处于关断位置。** 手指放在已经接通电源的开关上或开关处于接通时插入插头可能会导致危险。
 - 4) **在电动工具接通之前，拿掉所有调节钥匙或扳手。** 遗留在电动工具旋转零件上的扳手或钥匙会导致人身伤害。
 - 5) **手不要伸得太长。时刻注意立足点和身体平衡。** 这样在意外情况下能很好地控制电动工具。
 - 6) **着装适当。不要穿宽松的衣服或佩戴饰品。** 让衣服、手套和头发远离运动部件。宽松衣服、配饰或长发可能会卷入运动部件中。
 - 7) **如果提供了与排屑装置、集尘设备连接用的装置，要确保这些装置连接完好且使用得当。** 使用这些装置可减少碎屑引起的危险。
- #### d) 电动工具的使用和注意事项
- 1) **不要滥用电动工具。根据用途使用适当的电动工具。** 选用适当设计的电动工具会使你工作更有效、更安全。
 - 2) **如果开关不能接通或关断工具电源，则不能使用该电动工具。** 不能用开关来控制的电动工具是危险的且必须进行修理。
 - 3) **在进行任何调节、更换附件或贮存电动工具之前，必须从电源上拔掉插头和/或使电池盒与工具脱开。** 这种防护性措施将减少工具意外起动的危险。
 - 4) **将闲置不用的电动工具贮存在儿童所及范围之外，并且不要让不熟悉电动工具或对这些说明不了解的人操作电动工具。** 电动工具在未经培训的用户手中是危险的。
 - 5) **保养电动工具。检查运动部件是否调整到位或**

卡主、检查零件破损情况和影响电动工具运行的其他状况。如有损坏，电动工具应在使用前修理好。许多事故由维护不良电动工具所引发。

- 6) 保持切削刀具锋利和清洁。保养良好的有锋利切削刃的刀具不易卡住而且更容易控制。
 - 7) 按照使用说明书，考虑作业条件和进行的工作来使用电动工具、附件和工具的刀头等。将电动工具用于那些与其用途不符的操作可能会导致危险。
- e) 维修
- 1) 将你的电动工具送交专业维修人员，使用同样的备件进行修理。这将确保所维修的电动工具的安全性。

电动工具安全通则

 **警告！手提式电锯安全附则。**

- 在切割配件可能接触隐藏的导线或电动工具自身导线的情况下，请仅握持绝缘的把手表面。如果切割配件接触“带电”导线，工具暴露金属部件的表面会“带电”，并且导致操作员触电。
- 请使用夹钳或其它切实可行的方法来固定和支撑工件，将其固定到稳定的工作台上。用手抓住工件或用身体抵住工件并不稳定，可能会导致工件失控。
- 进行任何锯切作业时，请始终双手紧握电锯。锯切过程中，锯片会突然卡住并向操作人员反弹。
- 双手远离切割区域。禁止以任何理由将手伸到工件下面。请握住电锯前部的握持部位。禁止将手指或拇指插入往复运动的锯片和锯片夹头临近区域。禁止通过紧握导板来稳定工具。
- 保持锯片锋利。钝的或损坏的锯片会使电锯在压力下偏斜或停止。
- 仰面作业时，应格外当心，此外，还应特别注意上方可能隐藏的电线、气体管路或水管。预测锯屑与碎片掉落的路线。
- 当锯切管道或导管时，请确认其中无水或电线等障碍物。
使用完工具后，请勿立即接触工件或锯片。它们会变得很烫。

- 在切削附件可能触及暗线或其自身软线之处进行操作时，要通过绝缘握持面来握持工具。切削附件碰到带电导线会使工具外露的金属零件带电从而使操作者受到电击。

工具上的标志



警告！为降低伤害风险，使用前务必阅读使用手册。

电气安全






本工具为双重绝缘，因此无须接地线。随时检查并确保电源电压与铭牌上的使用电压相符。

- 在缺乏监督的情况下，年轻人或体弱的人不得使用本工具。必须看管孩子，不让他们玩耍本工具。
- 如果电源线损坏，必须由厂商或史丹利授权服务中心更换，以排除隐患。

符号

本工具上可能有如下符号：

V	伏特
A	安培
Hz	赫兹
W	瓦特
min	分钟
~	交流电
---	直流电
n₀	空载速度
	II 级结构
	接地终端
	安全警告标志
.../min	每分钟转数或往复次数
sfpm	每分钟击打次数

部件名称 (图1)

- A.** 触发开关
- B.** 主把手
- C.** 副把手
- D.** 导板调节螺钉
- E.** 可调导板
- F.** 锯片夹头

组装与调节步骤

- ⚠ **警告：割伤风险。**调节工具或装、卸任何附件与配件之前，请务必关闭工具开关并断开电源。
- ⚠ **警告：**任何操作情况下，必须双手紧握工具。
- ⚠ **警告：**进行盲锯或切入材料内部之前，必须检查工作区域是否存在隐藏的电气线路、气体管路或水管。否则会导致触电、火灾、爆炸或财产损失。
- ⚠ **警告：割伤风险。**锯切过程中，如果锯片不能全部穿过导板和工件，会导致锯片折断。人身伤害、导板及工件损坏的风险也会增加。
- ⚠ **警告：务必使用安全眼镜。**日常使用的眼镜不得作为安全眼镜使用。如果锯切会产生粉尘，还必须佩戴防尘面具。必须佩戴合格的安全装备。
- ⚠ **警告：割伤风险。**锯切任何类型的材料之前，必须保证材料锚固或夹持牢固，防止滑动。
 - 施加压力前，先启动电锯马达。
 - 使锯片轻轻接触工件。
- ⚠ **警告：割伤风险。握持或使用本产品时，禁止将手指包在导板调节按钮上。**锯切时，始终双手紧握电锯，如图2所示。任何可能的情况下，电锯导板必须紧靠材料。这会防止电锯跳动或振动，并降低锯片折断的风险。

调速开关（图3）

调速式触发开关可增加工具的功能性。触发开关按下越深，电锯的速度越大。要关闭工具，释放触发开关即可。

- ⚠ **警告：割伤风险。**本工具没有设计锁定运行功能。切勿以任何方法将工具锁定。

锯片安装与拆卸步骤（图4）

- ⚠ **警告：割伤风险。**调节工具或装、卸任何附件与配件之前，请务必关闭工具开关并断开电源。锯切过程中，锯片应穿过导板和工件的厚度。选择最适合工件材料的锯片，并且使用材料厚度允许的最短锯片。本工具禁止使用曲线锯锯片。
- ⚠ **警告：割伤风险。**锯切过程中，如果锯片不能全部穿过导板和工件，会导致锯片折断。人身伤害、导板及工件损坏的风险也会增加。

锯片安装步骤

1. 把工具指向身体以外的方向。
 2. 按图4所示的方向，旋转锯片夹头环。
 3. 把锯片柄完全插入夹头环。
 4. 释放夹头环，把锯片锁定到位。
- 注意：**安装锯片时，可使锯齿朝上，以便于齐边锯切。

锯片拆卸步骤

- ⚠ **警告：割伤风险。**调节工具或装、卸任何附件与配件之前，请务必关闭工具开关并断开电源。
 - ⚠ **警告：烫伤风险。**使用后，切勿立即接触锯片。否则，会导致人身伤害。
1. 转动锯片夹头环至释放位置。
 2. 取下锯片。

可调导板（图5）

- ⚠ **警告：割伤风险。**锯切过程中，如果锯片不能全部穿过导板和工件，会导致锯片折断。人身伤害、导板及工件损坏的风险也会增加。
- ⚠ **警告：割伤风险。**调节工具或装、卸任何附件与配件之前，请务必关闭工具开关并断开电源。可调节导板来限制锯切深度。使用M4（5/32英寸）六角扳手（未提供）松开螺钉（图5），向外滑动导板至所需深度后，重新拧紧螺钉。
- ⚠ **注意：割伤风险。**为防止工具失控，禁止取下导板使用工具。
- ⚠ **注意：人身伤害与财产损失风险。**使用工具前，确保导板锁定到位。

齐边锯切（图6）

- 本往复锯马达外壳结构紧凑，导板为枢轴式，可以在靠近地板、边角或其它受限区域使用。
- 为尽可能发挥齐边锯功能，在锯片插入夹头时，使锯齿朝上。
- 颠倒工具，以便尽可能接近工件表面。

锯切金属（图7）

- 锯切黑色金属时，使用细齿锯片；锯切有色金属时，使用粗齿锯片。
- 锯切薄金属板时，最好在板下面垫木板，这可以确保锯口整齐，防止振动过大或撕裂板材。

- 切勿对锯片强行用力，否则会缩短锯片寿命、导致锯片折断的代价。

说明：在锯切线路上抹少许油或其它冷却液，既便于操作又能延长锯片寿命。

开口锯切——仅限木材（图8）

- 测量锯切表面，使用铅笔、粉笔或划线器标清线路。
- 把锯片插入夹头，紧固夹头。
- 把电锯向后倾斜，直至导板的后缘与工件表面接触，并且运动的锯片完全伸出时，不接触材料表面。
- 双手紧握工具，启动马达，使锯片达到最大速度。
- 操控电锯主把手，缓慢地、小心地向上摆动。
- 锯片会切入材料中。继续进行开口锯切之前，务必确保锯片完全锯透材料。

说明：在锯片能见度有限时，可使用导板边缘做参照物。

操作提示

- 仅使用锋利的锯片；这样可以锯得更齐、更快，并且给马达造成的应力更小。
- 锯切时，务必确保导板紧靠工件，并且工件牢固固定，防止移动或偏斜。这能够增强工具可控性，降低振动。
- 要提高锯片使用寿命，可使用双金属锯片。这种锯片使用碳钢作为锯片背，在上面焊接高速钢锯齿，这样的锯片更有弹性，不易折断。

配件

本工具可使用最长12英尺的锯片。务必使用适合的最短锯片，但其长度应能够锯透材料。较长的锯片在使用时更容易弯曲、损坏。使用过程中，较长的锯片如果不接触工件，会发生振动或摇动。

⚠ 警告：由于非史丹利提供的配件未经本产品测试，在本工具上使用此类配件存在隐患。为降低人身伤害风险，本产品仅可使用史丹利推荐的配件。

维护

本史丹利电动工具设计精良，可以长期运作，而只需极少的维护。要取得连续的令人满意的工作效果，需要您做合适的保养和定期的清洁。

警告！开始任何维护工作前，请关闭工具开关并拔下插头。

- 定期使用干燥的软刷或干抹布清洁工具的通风口。
- 定期使用干净的湿抹布清洁马达外壳。切勿使用任何研磨型或溶剂型清洁剂。

服务资讯

史丹利完善的自有和授权服务网络遍布全亚洲。所有史丹利服务中心的员工都经过专门培训，可以为客户提供高效、可靠的电动工具服务。无论您需要技术咨询、维修或是正宗的原装配件，请联系您最近的史丹利服务站。

备注

- 史丹利的政策之一就是持续改善我们的产品，因此，我们保留随时变更产品规格的权利，恕不另行通知。
- 标准设备和配件可能会根据不同的国家而有所不同。
- 产品规格可能会根据不同的国家而有所不同。
- 并非所有国家都有提供完整的产品系列。如需各产品系列的供应情，请联络您当地的史丹利代理商。

制造商：百得美国公司

地址：701 E Joppa Rd, TW050 MD21286, Towson, 美国

产地：江苏苏州

