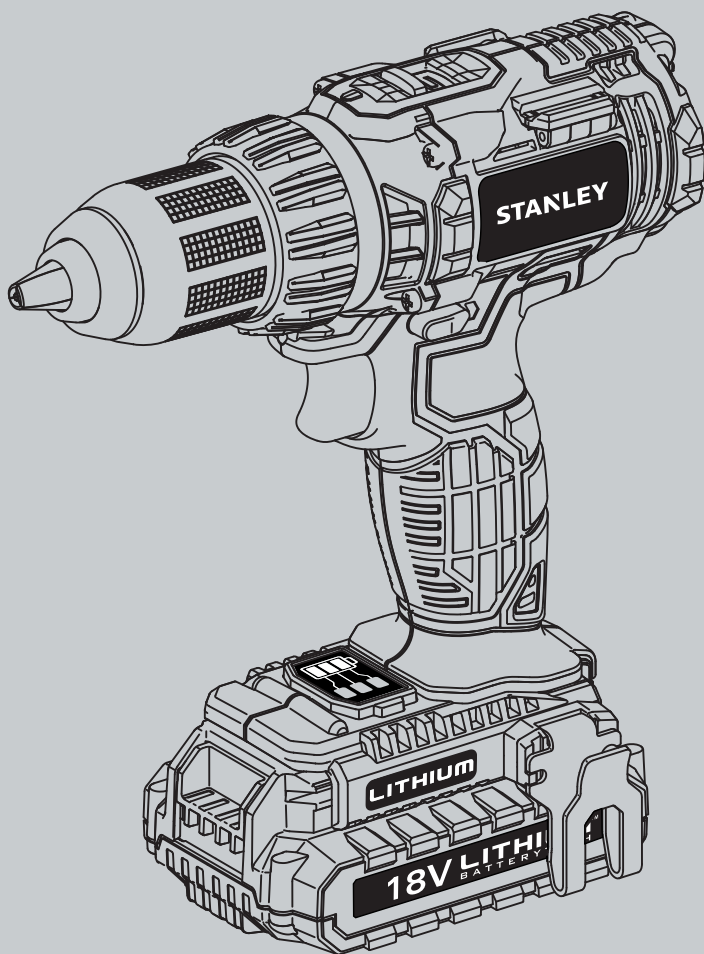


STANLEY



STDC1804
STDC1802

English
简体中文

3
10

FIG A

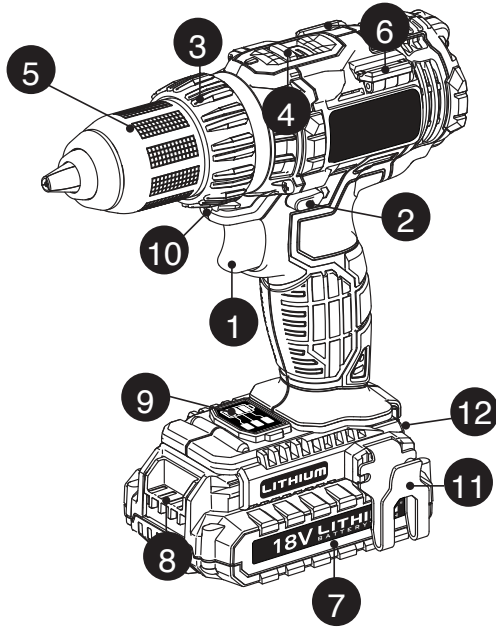


FIG B

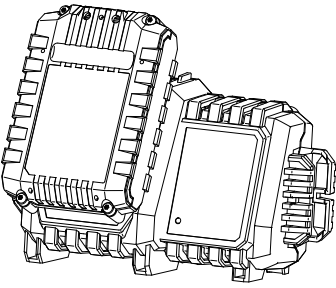


FIG C

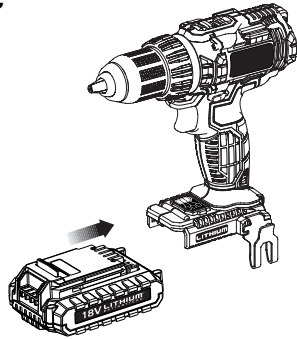


FIG D

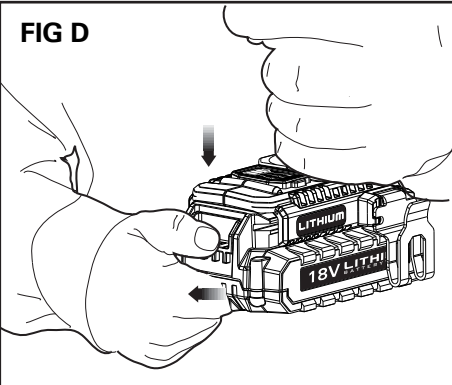
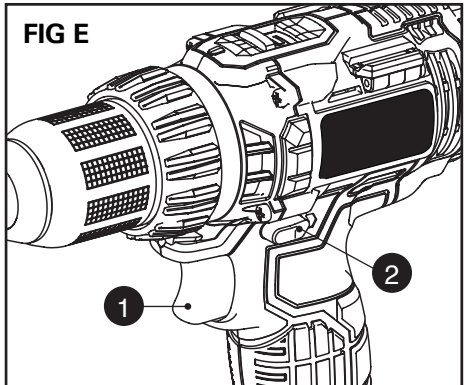
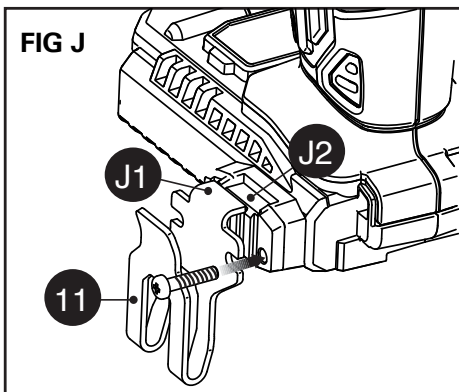
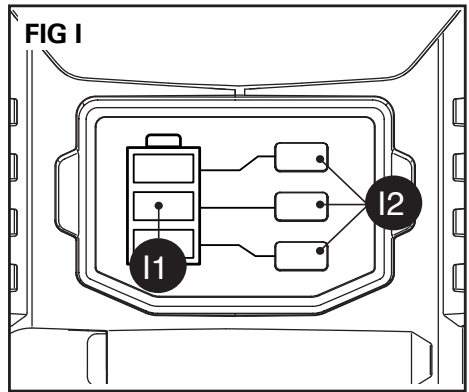
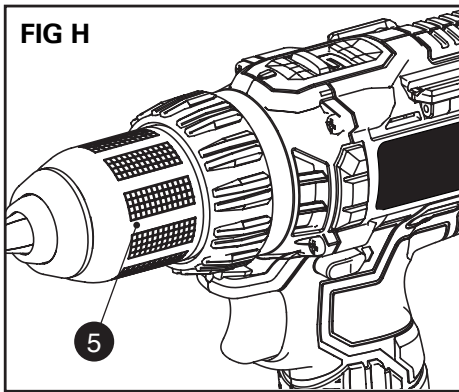
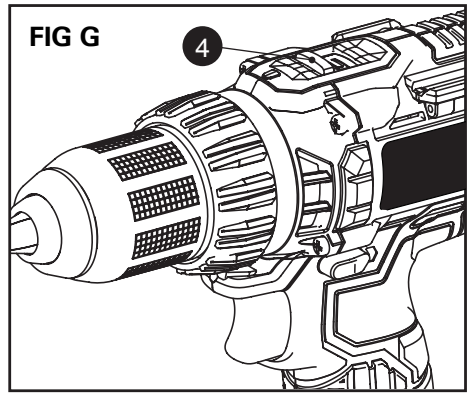
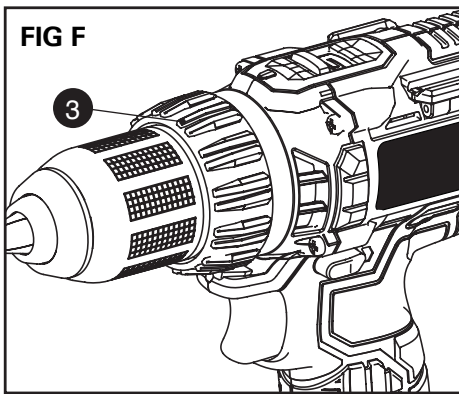


FIG E





STDC1804/STDC1802 18V LI-ION Cordless Drill/Driver

Technical data

		TYPE	
		STDC1804	STDC1802
Voltage	V_{DC}	18	18
No-load speed	/min	0-400/0-1600	0-400/0-1600
Max. torque (PTI Rating)	Nm	30	30
Chuck capacity	mm	13	13
Weight	kg	1.61 (with 2Ah battery) 1.90 (with 4Ah battery)	1.61
Charger			
Input Voltage	V_{AC}	220	220
Output Voltage	V_{DC}	20	20
Output Current(DC)	A	2	2
Approx. charge time	min	60-120	60
		STBL184L	STBL182L
Voltage	V_{DC}	18	18
Capacity	Ah	4.0	2.0
Type		Li-Ion	

Intended use

Your Stanley Cordless Drill/Driver has been designed for screwdriving and nut setting applications.

SAFETY INSTRUCTIONS

General power tool safety warnings



Warning! Read all safety warnings and all instructions. Failure to follow the warnings and instructions listed below may result in electric shock, fire and/or serious injury.

Save all warnings and instructions for future reference.

The term "power tool" in all of the warnings listed below refers to your mains operated (corded) power tool or battery operated (cordless) power tool.

1. Work area safety

- Keep work area clean and well lit.** Cluttered or dark areas invite accidents.
- Do not operate power tools in explosive atmospheres, such as in the presence of flammable liquids, gases or dust.** Power tools create sparks which may ignite the dust or fumes.
- Keep children and bystanders away while operating a power tool.** Distractions can cause you to lose control.

2. Electrical safety

- Power tool plugs must match the outlet. Never modify the plug in any way. Do not use any adapter plugs with earthed (grounded) power tools.** Unmodified plugs and matching outlets will reduce risk of electric shock.

- Avoid body contact with earthed or grounded surfaces such as pipes, radiators, ranges and refrigerators.** There is an increased risk of electric shock if your body is earthed or grounded.
- Do not expose power tools to rain or wet conditions.** Water entering a power tool will increase the risk of electric shock.
- Do not abuse the cord. Never use the cord for carrying, pulling or unplugging the power tool. Keep cord away from heat, oil, sharp edges or moving parts.** Damaged or entangled cords increase the risk of electric shock.
- When operating a power tool outdoors, use an extension cord suitable for outdoor use.** Use of a cord suitable for outdoor use reduces the risk of electric shock.
- If operating a power tool in a damp location is unavoidable, use a residual current device (RCD) protected supply.** Use of an RCD reduces the risk of electric shock.

3. Personal safety

- Stay alert, watch what you are doing and use common sense when operating a power tool. Do not use a power tool while you are tired or under the influence of drugs, alcohol or medication.** A moment of inattention while operating power tools may result in serious personal injury.
- Use personal protective equipment. Always wear eye protection.** Protective equipment such as dust mask, non-skid safety shoes, hard hat, or hearing protection used for appropriate conditions will reduce personal injuries.
- Prevent unintentional starting. Ensure the switch is in the off-position before connecting to power source and/or battery pack, picking up or carrying the tool.** Carrying power tools with your finger on the switch or energising power tools that have the switch on invites accidents.
- Remove any adjusting key or wrench before turning the power tool on.** A wrench or a key left attached to a rotating part of the power tool may result in personal injury.
- Do not overreach. Keep proper footing and balance at all times.** This enables better control of the power tool in unexpected situations.
- Dress properly. Do not wear loose clothing or jewellery. Keep your hair, clothing and gloves away from moving parts.** Loose clothes, jewellery or long hair can be caught in moving parts.
- If devices are provided for the connection of dust extraction and collection facilities, ensure these are connected and properly used.** Use of dust collection can reduce dust-related hazards.

4. Power tool use and care

- a. **Do not force the power tool. Use the correct power tool for your application.** The correct power tool will do the job better and safer at the rate for which it was designed.
- b. **Do not use the power tool if the switch does not turn it on and off.** Any power tool that cannot be controlled with the switch is dangerous and must be repaired.
- c. **Disconnect the plug from the power source and/or the battery pack from the power tool before making any adjustments, changing accessories, or storing power tools.** Such preventive safety measures reduce the risk of starting the power tool accidentally.
- d. **Store idle power tools out of the reach of children and do not allow persons unfamiliar with the power tool or these instructions to operate the power tool.** Power tools are dangerous in the hands of untrained users.
- e. **Maintain power tools. Check for misalignment or binding of moving parts, breakage of parts and any other condition that may affect the power tools operation. If damaged, have the power tool repaired before use.** Many accidents are caused by poorly maintained power tools.
- f. **Keep cutting tools sharp and clean.** Properly maintained cutting tools with sharp cutting edges are less likely to bind and are easier to control.
- g. **Use the power tool, accessories and tool bits etc. in accordance with these instructions, taking into account the working conditions and the work to be performed.** Use of the power tool for operations different from those intended could result in a hazardous situation.

5. Battery tool use and care

- a. **Recharge only with the charger specified by the manufacturer.** A charger that is suitable for one type of battery pack may create a risk of fire when used with another battery pack.
- b. **Use power tools only with specifically designated battery packs.** Use of any other battery packs may create a risk of injury and fire.
- c. **When battery pack is not in use, keep it away from other metal objects, like paper clips, coins, keys, nails, screws, or other small metal objects, that can make a connection from one terminal to another.** Shorting the battery terminals together may cause burns or a fire.
- d. **Under abusive conditions, liquid may be ejected from the battery; avoid contact. If contact accidentally occurs, flush with water. If liquid contacts eyes, additionally seek medical help.** Liquid ejected from the battery may cause irritation or burns.

6. Service

- a. **Have your power tool serviced by a qualified repair person using only identical replacement parts.** This will ensure that the safety of the power tool is maintained.

ADDITIONAL POWER TOOL SAFETY WARNINGS



Warning! Additional safety warnings for impact wrenches

- ◆ **Wear ear protectors with impact drills.** Exposure to noise can cause hearing loss.
- ◆ **Use auxiliary handles supplied with the tool.** Loss of control can cause personal injury.
- ◆ **Hold power tool by insulated gripping surfaces when performing an operation where cutting accessory may contact hidden wiring.** Cutting accessory contacting a "live" wire may make exposed metal parts of the power tool "live" and could give the operator an electric shock.
- ◆ **Use clamps or another practical way to secure and support the workpiece to a stable platform.** Holding the work by hand or against your body leaves it unstable and may lead to loss of control.
- ◆ This tool is not intended for use by persons (including children) with reduced physical, sensory or mental capabilities, or lack of experience and knowledge, unless they have been given supervision or instruction concerning use of the appliance by a person responsible for their safety. Children should be supervised to ensure that they do not play with the appliance.
- ◆ The intended use is described in this instruction manual. The use of any accessory or attachment or performance of any operation with this tool other than those recommended in this instruction manual may present a risk of personal injury and/or damage to property.

SAFETY OF OTHERS

- ◆ This appliance is not intended for use by persons (including children) with reduced physical, sensory or mental capabilities, or lack of experience and knowledge, unless they have been given supervision or instruction concerning use of the appliance by a person responsible for their safety.
- ◆ Children should be supervised to ensure that they do not play with the appliance.
- ◆ Impairment of hearing.
- ◆ Health hazards caused by breathing dust developed when using your tool (example:- working with wood, especially oak, beech and MDF.)

LABELS ON TOOL

The following symbols are shown on the tool:



Warning! To reduce the risk of injury, the user must read the instruction manual.

DATE CODE POSITION (Figure A)

The Date Code (12), which also includes the year of manufacture, is printed into the housing.

Example: 2013 XX XX

Year of Manufacture

Additional safety instructions for batteries and chargers

Batteries

- ◆ Never attempt to open for any reason.
- ◆ Do not expose the battery to water.
- ◆ Do not store in locations where the temperature may exceed 40 °C.
- ◆ Charge only at ambient temperatures between 10 °C and 40 °C.
- ◆ Charge only using the charger provided with the tool.
- ◆ When disposing of batteries, follow the instructions given in the section "Protecting the environment".



Do not attempt to charge damaged batteries.

CHARGERS

- ◆ Use your Stanley charger only to charge the battery in the tool with which it was supplied. Other batteries could burst, causing personal injury and damage.
- ◆ Never attempt to charge non-rechargeable batteries.
- ◆ Have defective cords replaced immediately.
- ◆ Do not expose the charger to water.
- ◆ Do not open the charger.
- ◆ Do not probe the charger.



The charger is intended for indoor use only.



Read the instruction manual before use.

Electrical safety



Your charger is double insulated; therefore no earth wire is required. Always check that the mains voltage corresponds to the voltage on the rating plate. Never attempt to replace the charger unit with a regular mains plug.

- ◆ If the supply cord is damaged, it must be replaced by the manufacturer or an authorised Stanley Service Centre in order to avoid a hazard.

FEATURES

This tool includes some or all of the following features (Figure A).

1. Trigger Switch
2. Forward/Reverse Button
3. Torque Adjust Collar
4. Dual Range Gear Selector
5. Keyless Chuck
6. Magnetic Bit Tip Holders (2)
7. Battery
8. Battery Release Button
9. Battery Fuel Gauge
10. LED Work Light
11. Belt Clip

IMPORTANT SAFETY INSTRUCTIONS FOR BATTERY CHARGERS

This appliance is not intended for use by persons (including children) with reduced physical, sensory or mental capabilities, or lack of experience and knowledge, unless they have been given supervision or instruction concerning use of the appliance by a person responsible for their safety. Children should be supervised to ensure that they do not play with the appliance.

SAVE THESE INSTRUCTIONS: This manual contains important safety instructions for battery chargers.

- ◆ Before using charger, read all instructions and cautionary markings on charger, battery pack, and product using battery pack.
- ⚠ **WARNING: Shock hazard.** Do not allow any liquid to get inside charger.
- ⚠ **CAUTION: Burn hazard.** To reduce the risk of injury, charge only designated **Stanley** batteries. Other types of batteries may burst causing personal injury and damage.
- ⚠ **CAUTION:** Under certain conditions, with the charger plugged in to the power supply, the charger can be shorted by foreign material. Foreign materials of a conductive nature such as, but not limited to, steel wool, aluminum foil, or any buildup of metallic particles should be kept away from charger cavities. Always unplug the charger from the power supply when there is no battery pack in the cavity. Unplug charger before attempting to clean.
- ◆ **DO NOT attempt to charge the battery pack with any chargers other than the ones in this manual.** The charger and battery pack are specifically designed to work together.
- ◆ **These chargers are not intended for any uses other than charging designated Stanley rechargeable batteries.** Any other uses may result in risk of fire, electric shock or electrocution.
- ◆ **Do not expose charger to rain or snow.**
- ◆ **Pull by plug rather than cord when disconnecting**

charger. This will reduce risk of damage to electric plug and cord.

- ◆ **Make sure that cord is located so that it will not be stepped on, tripped over, or otherwise subjected to damage or stress.**
- ◆ **Do not use an extension cord unless it is absolutely necessary.** Use of improper extension cord could result in risk of fire, electric shock, or electrocution.
- ◆ **An extension cord must have adequate wire size for safety.** The smaller the gauge number of the wire, the greater the capacity of the cable, that is 16 gauge has more capacity than 18 gauge. When using more than one extension to make up the total length, be sure each individual extension contains at least the minimum wire size.
- ◆ **Do not place any object on top of charger or place the charger on a soft surface that might block the ventilation slots and result in excessive internal heat. Place the charger in a position away from any heat source.** The charger is ventilated through slots in the top and the bottom of the housing.
- ◆ **Do not operate charger with damaged cord or plug —** have them replaced immediately.
- ◆ **Do not operate charger if it has received a sharp blow, been dropped, or otherwise damaged in any way.** Take it to an authorized service center.
- ◆ **Do not disassemble charger;** take it to an authorized service center when service or repair is required. Incorrect reassembly may result in a risk of electric shock, electrocution or fire.
- ◆ **Disconnect the charger from the outlet before attempting any cleaning.** This will reduce the risk of electric shock. Removing the battery pack will not reduce this risk.
- ◆ **NEVER attempt to connect 2 chargers together.**
- ◆ **The charger is designed to operate on standard household electrical power. Do not attempt to use it on any other voltage.**

SAVE THESE INSTRUCTIONS

Important Safety Instruction for Battery Packs

- ⚠ **WARNING:** For safe operation, read this manual and manuals originally supplied with tool before using the charger.

The battery pack is not fully charged out of the carton. Before using the battery pack and charger, read the safety instructions below. Then follow charging procedures outlined.

Read all Instructions

- ◆ **Do not incinerate the battery pack even if it is severely damaged or is completely worn out.** The battery pack can explode in a fire. Toxic fumes and materials are created when LI-ION battery packs are burned.

- ◆ **Do not charge or use battery in explosive atmospheres, such as in the presence of flammable liquids, gases or dust.** Inserting or removing the battery from the charger may ignite the dust or fumes.
- ◆ **If battery contents come into contact with the skin, immediately wash area with mild soap and water.** If battery liquid gets into the eye, rinse water over the open eye for 15 minutes or until irritation ceases. If medical attention is needed, the battery electrolyte for Li-ion batteries is composed of a mixture of liquid organic carbonates and lithium salts.
- ◆ **Contents of opened battery cells may cause respiratory irritation.** Provide fresh air. If symptoms persists, seek medical attention.
- ⚠ **WARNING: Burn hazard.** Battery liquid may be flammable if exposed to spark or flame.
- ◆ Charge the battery packs only in **Stanley** chargers.
- ◆ **DO NOT splash or immerse in water or other liquids.** This may cause premature cell failure.
- ◆ **Do not store or use the tool and battery pack in locations where the temperature may reach or exceed 105°F (40°C) (such as outside sheds or metal buildings in summer).**
- ⚠ **WARNING:** Never attempt to open the battery pack for any reason. If battery pack case is cracked or damaged, do not insert into charger. Do not crush, drop or damage battery pack. Do not use a battery pack or charger that has received a sharp blow, been dropped, run over or damaged in any way (i.e., pierced with a nail, hit with a hammer, stepped on). Damaged battery packs should be returned to service center for recycling.
- ⚠ **WARNING: Fire hazard. Do not store or carry battery so that metal objects can contact exposed battery terminals.** For example, do not place battery in aprons, pockets, tool boxes, product kit boxes, drawers, etc., with loose nails, screws, keys, etc. **Transporting batteries can possibly cause fires if the battery terminals inadvertently come in contact with conductive materials such as keys, coins, hand tools and the like.** NOTE: LI-ION batteries should not be put in checked baggage.


STORAGE RECOMMENDATIONS

1. The best storage place is one that is cool and dry away from direct sunlight and excess heat or cold.
2. Long storage will not harm the battery pack or charger.


CHARGING PROCEDURE

Stanley chargers are designed to charge

Stanley battery packs in 60-120 minutes depending on the pack being charged.

1. Plug the charger into an appropriate outlet before inserting the battery pack.
2. Insert the battery pack into the charger. (Fig. B)
3.  The LED will flash indicating that the battery is


being charged.

4.  The completion of charge is indicated by the LED remaining on continuously. The pack is fully charged and may be used at this time or left on the charger.


CHARGER DIAGNOSTICS

This charger is designed to detect certain problems that can arise with the battery packs or the power source. Problems are indicated by one LED flashing in different patterns.

BAD BATTERY

-  The charger can detect a weak or damaged battery. The LED flashes in the pattern indicated on the label. If you see this bad battery blink pattern, do not continue to charge the battery. Return it to a service center or a collection site for recycling.

HOT/COLD PACK DELAY

-  When the charger detects a battery that is excessively hot or excessively cold, it automatically starts a Hot/Cold Pack Delay, suspending charging until the battery has normalized. After this happens, the charger automatically switches to the Pack Charging mode. This feature ensures maximum battery life. The light flashes in the pattern indicated on the label.


LEAVING THE BATTERY IN THE CHARGER

The charger and battery pack can be left connected with the LED glowing indefinitely. The charger will keep the battery pack fresh and fully charged. This charger features an automatic tune-up mode which equals or balances the individual cells in the battery pack to allow it to function at peak capacity. Battery packs should be tuned up weekly or whenever the battery no longer delivers the same amount of work. To use the automatic tune-up mode, place the battery pack in the charger and leave it for at least 8 hours.

IMPORTANT CHARGING NOTES

1. Longest life and best performance can be obtained if the battery pack is charged when the air temperature is between 65°F and 75°F (18- 24°C). DO NOT charge the battery pack in an air temperature below +40°F (+4.5°C), or above +105°F (+40.5°C). This is important and will prevent serious damage to the battery pack.
2. The charger and battery pack may become warm to touch while charging. This is a normal condition, and does not indicate a problem. To facilitate the cooling of the battery pack after use, avoid placing the charger or battery pack in a warm environment such as in a metal shed, or an uninsulated trailer.
3. If the battery pack does not charge properly:
 - a. Check current at receptacle by plugging in a lamp or other appliance
 - b. Check to see if receptacle is connected to a light switch which turns power off when you turn out the lights.
 - c. Move charger and battery pack to a location where the surrounding air temperature is approximately 65 - 75°F

(18- 24°C).

- d. If charging problems persist, take the tool, battery pack and charger to your local service center.
 4. The battery pack should be recharged when it fails to produce sufficient power on jobs which were easily done previously. DO NOT CONTINUE to use under these conditions. Follow the charging procedure. You may also charge a partially used pack whenever you desire with no adverse affect on the battery pack.
 5. Foreign materials of a conductive nature such as, but not limited to, steel wool, aluminum foil, or any buildup of metallic particles should be kept away from charger cavities. Always unplug the charger from the power supply when there is no battery pack in the cavity. Unplug charger before attempting to clean.
 6. Do not freeze or immerse charger in water or any other liquid.
-  **WARNING: Shock hazard.** Do not allow any liquid to get inside charger. Never attempt to open the battery pack for any reason. If the plastic housing of the battery pack breaks or cracks, return to a service center for recycling.

OPERATING INSTRUCTIONS

Installing and Removing the Battery Pack From the Tool

CAUTION: Make certain the lock-off button is engaged to prevent switch actuation before removing or installing battery.

1. **TO INSTALL BATTERY PACK:** Insert battery pack (7) firmly into tool until an audible click is heard as shown in **figure C**.
2. **TO REMOVE BATTERY PACK:** Depress the battery release button (8) as shown in **figure D** and pull battery pack out of tool.
3. **Trigger Switch & forward/Reverse Button - figure E**
 - The drill is turned ON and OFF by pulling and releasing the trigger switch (1) shown in **figure E**. The farther the trigger is depressed, the higher the speed of the drill.
 - A forward/reverse control button (2) determines the rotational direction of the tool and also serves as a lock off button.
 - To select forward rotation, release the trigger switch and depress the forward/reverse control button on the right side of the tool.
 - To select reverse, depress the forward/reverse control button on the left side of the tool.
 - The center position of the control button locks the tool in the off position. When changing the position of the control button, be sure the trigger is released.
4. **Adjusting Torque Control - figure f**

This tool is fitted with a torque adjustment collar (3) to select the operating mode and to set the torque for tightening screws. Large screws and hard workpiece materials require a higher torque setting than small screws and soft workpiece materials.

- For drilling in wood, metal and plastics, set the collar to the drilling position symbol
- For screwdriving, set the collar to the desired setting. If you do not yet know the appropriate setting, proceed as follows:
- Set the collar to the lowest torque setting.
- Tighten the first screw.
- If the clutch ratchets before the desired result is achieved, increase the collar setting and continue tightening the screw. Repeat until you reach the correct setting. Use this setting for the remaining screws.

5. Dual Range Gearing - figure G

The dual range feature of your drill allows you to shift gears for greater versatility.

- To select low speed, high torque setting (position 1), turn tool off and permit to stop. Slide gear shifter button (4) away from the chuck.
- To select the high speed, low torque setting (position 2), turn tool off and permit to stop. Slide gear shifter button back toward the chuck.

NOTE: Do not change gears when tool is running. If you are having trouble changing gears, make sure that the dual range gear button is either completely pushed forward or completely pushed back.

6. keyless Chuck - figure H

- ⚠ WARNING:** Make certain the battery pack is removed to prevent tool actuation before installing or removing accessories.

To insert a drill bit or other accessory:

- Grasp the chuck (5) and rotate it in the counterclockwise direction, as viewed from the chuck end.
- Insert the bit or other accessory fully into the chuck, and tighten securely by rotating the chuck in the clockwise direction as viewed from the chuck end.

- ⚠ WARNING:** Do not attempt to tighten or loosen drill bits (or any other accessory) by gripping the front part of the chuck and turning the tool on. Damage to the chuck and personal injury may occur when changing accessories.

7. Screw Driving

- For driving fasteners, the forward/reverse button should be pushed to the left.
- Use reverse (button pushed to the right) for removing fasteners.

NOTE: When moving from forward to reverse, or vice versa, always release the trigger switch first.

8. Drilling

- Use sharp drill bits only.
- Support and secure work properly, as instructed in the Safety Instructions.
- Use appropriate and required safety equipment, as instructed in the Safety Instructions.
- Secure and maintain work area, as instructed in the Safety Instructions.
- Run the drill very slowly, using light pressure, until the hole is started enough to keep the drill bit from slipping out of it.

- Apply pressure in a straight line with the bit. Use enough pressure to keep the bit biting but not so much as to stall the motor or deflect the bit.
- Hold the drill firmly with two hands, one hand on the handle, and the other gripping the bottom around the battery area or the auxiliary handle if provided.
- **DO NOT CLICK THE TRIGGER OF A STALLED DRILL OFF AND ON IN AN ATTEMPT TO START IT. DAMAGE TO THE DRILL CAN RESULT.**
- Minimize stalling on breakthrough by reducing pressure and slowly drilling through the last part of the hole.
- Keep the motor running while pulling the bit out of a drilled hole. This will help reduce jamming.
- **Make sure switch turns drill on and off.**

1) Drilling in Wood

Holes in wood can be made with the same twist drill bits used for metal or with spade bits. These bits should be sharp and should be pulled out frequently when drilling to clear chips from the flutes.

2) Drilling in Metal

Use a cutting lubricant when drilling metals. The exceptions are cast iron and brass which should be drilled dry. The cutting lubricants that work best are sulfurized cutting oil or lard oil.

3) Drilling in Masonry

Use carbide tipped masonry bits. Refer to Drilling section. Keep even force on the drill but not so much that you crack the brittle material. A smooth, even flow of dust indicates the proper drilling rate.

9. LED Work Light

When drill is activated by pulling the trigger switch (1), the integrated LED work light (10) will automatically illuminate the work area.

NOTE: The work light is for lighting the immediate work surface and is not intended to be used as a flashlight.

10. Bit Tip Storage

Two magnetic bit storage slots (6) are built into the area on the top of the tool.

1) Battery fuel Gauge - figure I

The tool is equipped with a battery fuel gauge (9). This can be used to display the current level of charge in the battery during use and during charging. It does not indicate tool functionality and is subject to variation based on product components, temperature and end-user application.

Checking battery charge during use:

- Press the battery fuel gauge button (11).
- The three LEDs (12) will illuminate indicating the percent of charge in the battery (figure I).
- If LED light does not illuminate, charge battery.

NOTE: This battery is designed to not operate when a charge below 20% of its capacity is reached. After the battery charge is depleted, the tool will not operate until after the battery has been recharged.

2) Belt Clip - figure J

A belt clip (11) is provided which can be switched to either side

of the tool based on user preference for convenient access and storage during use.

- Place the front lip of the belt clip (J1) into the indentation of the base (J2).
- Secure the belt clip with the supplied screw and firmly tighten with a phillips screwdriver.

⚠ WARNING: Ensure the forward/reverse control button (2) is in the center lock position before attaching tool to belt.

MAINTENANCE

Your Stanley tool has been designed to operate over a long period of time with a minimum of maintenance.

Continuoussatisfactory operation depends upon proper tool care and regular cleaning.

Your charger does not require any maintenance apart from regular cleaning.

Warning! Before performing any maintenance on the tool, remove the battery from the tool. Unplug the charger before cleaning it.

- ◆ Regularly clean the ventilation slots in your tool and charger using a soft brush or dry cloth.
- ◆ Regularly clean the motor housing using a damp cloth. Do not use any abrasive or solvent-based cleaner.
- ◆ Regularly open the chuck and tap it to remove any dust from the interior.

PROTECTING THE ENVIRONMENTS



Separate collection. This product must not be disposed of with normal household waste.

Should you find one day that your Stanley product needs replacement, or if it is of no further use to you, do not dispose of it with household waste. Make this product available for separate collection.



Separate collection of used products and packaging allows materials to be recycled and used again. Re-use of recycled materials helps prevent environmental pollution and reduces the demand for raw materials.

BATTERIES



Run the battery down completely, then remove it from the tool.

NiCd, NiMH and Li-Ion batteries are recyclable. Take them to any authorised repair agent or a local recycling station.

SERVICE INFORMATION

Stanley offers a full network of company-owned and authorized service locations throughout Asia. All Stanley Service Centers are staffed with trained personnel to provide customers with efficient and reliable power tool service. Whether you need technical advice, repair, or genuine factory replacement parts, contact the Stanley

location nearest to you.

NOTES

- ◆ Stanley's policy is one of continuous improvement to our products and, as such, we reserve the right to change product specifications without prior notice.
- ◆ Standard equipment and accessories may vary by country.
- ◆ Product specifications may differ by country.
- ◆ Complete product range may not be available in all countries. Contact your local Stanley dealers for range availability.

STDC1804/STDC1802

18 伏锂电充电式电钻/起子

技术参数

	类型		
	STDC1804	STDC1802	
电压	伏特 (直流)	18	18
空载转速	/分	0-400/0-1600	0-400/0-1600
最大扭矩 (PTI 标称值)	牛米	30	30
夹头尺寸	毫米	13	13
重量	千克	1.61 (含 2 安时电池) 1.90 (含 4 安时电池)	1.61
充电器			
输入电压	伏特 (交流)	220	220
输出电压	伏特 (直流)	18	18
输出电流 (直流)	A	2	2
大约充电时间	分	60-120	60
电池			
		STBL184L	STBL182L
电压	伏特 (直流)	18	18
电池容量	安时	4.0	2.0
类型		锂离子	

设计用途

本士丹利无线电钻/起子的设计用途是钻孔、拧螺丝和螺母。

安全说明

电动工具一般安全警告



警告！请仔细阅读所有安全警告和说明。如不遵守以下任何警告和说明，可能会导致触电、火灾和/或严重伤害。

请妥善保存所有警告和说明，以备将来查阅。

下列所有警告中的“电动工具”一词是指电源驱动（有线）电动工具，或者电池驱动（无线）电动工具。

a) 工作场地的安全

- 1) **保持工作场地清洁和明亮。**混乱和黑暗的场地会引发事故。
- 2) **不要在易爆环境，如有易燃液体、气体或粉尘的环境下操作电动工具。**电动工具产生的火花会点燃粉尘或气体。

- 3) **让儿童和旁观者离开后操作电动工具。**注意力不集中会使你失去对工具的控制。

b) 电气安全

- 1) **电动工具插头必须与插座相配。绝不能以任何方式改装插头。**需接地的电动工具不能使用任何转换插头。未经改装的插头和相配的插座将减少电击危险。
- 2) **避免人体接触接地表面，如管道、散热片和冰箱。**如果你身体接地会增加电击危险。
- 3) **不得将电动工具暴露在雨中或潮湿环境中。**水进入电动工具将增加电击危险。
- 4) **不得滥用电线。绝不能用电线搬运、拉动电动工具或拔出其插头。**使电线远离热源、油、锐边或运动部件。受损或缠绕的软线会增加电击危险。
- 5) **当在户外使用电动工具时，使用适合户外使用的外接软线。**适合户外使用的软线将减少电击危险。
- 6) **如果在潮湿环境下操作电动工具是不可避免的，应使用剩余电流动作保护器（RCD）。**使用RCD可减小电击危险。

c) 人身安全

- 1) **保持警觉，当操作电动工具时关注所从事的操作并保持清醒。**当你感到疲倦，或在有药物、酒精或治疗反应时，不要操作电动工具。在操作电动工具时瞬间的疏忽会导致严重人身伤害。
- 2) **使用个人防护装置。始终佩戴护目镜。**安全装置，诸如适当条件下使用防尘面具、防滑安全鞋、安全帽、听力防护等装置能减少人身伤害。
- 3) **防止意外起动。确保开关在连接电源和/或电池组、拿起或搬运工具时处于关断位置。**手指放在已接通电源的开关上或开关处于接通时插入插头可能会导致危险。
- 4) **在电动工具接通之前，拿掉所有调节钥匙或扳手。**遗留在电动工具旋转零件上的扳手或钥匙会导致人身伤害。
- 5) **手不要伸展得太长。时刻注意立足点和身体平衡。**这样在意外情况下能很好地控制电动工具。

- 6) **着装适当。不要穿宽松衣服或佩戴饰品。让你的衣服、手套和头发远离运动部件。**宽松衣服、佩饰或长发可能会卷入运动部件中。
- 7) **如果提供了与排屑、集尘设备连接用的装置，要确保他们连接完好且使用得当。**使用这些装置可减少尘屑引起的危险。

d) 电动工具使用和注意事项

- 1) **不要滥用电动工具，根据用途使用适当的电动工具。**选用适当设计的电动工具会使你工作更有效、更安全。
- 2) **如果开关不能接通或关断工具电源，则不能使用该电动工具。**不能用开关来控制的电动工具是危险的且必须进行修理。
- 3) **在进行任何调节、更换附件或贮存电动工具之前，必须从电源上拔掉插头和/或使电池组与工具脱开。**这种防护性措施将减少工具意外起动的危险。
- 4) **将闲置不用的电动工具贮存在儿童所及范围之外，并且不要让不熟悉电动工具或对这些说明不了解的人操作电动工具。**电动工具在未经培训的用户手中是危险的。
- 5) **保养电动工具。检查运动件是否调整到位或卡住，检查零件破损情况和影响电动工具运行的其他状况。**如有损坏，电动工具应在使用前修理好。许多事故由维护不良的电动工具引发。
- 6) **保持切削刀具锋利和清洁。**保养良好的有锋利切削刃的刀具不易卡住而且容易控制。
- 7) **按照使用说明书，考虑作业条件和进行的作业来使用电动工具、附件和工具的刀头等。**将电动工具用于那些与其用途不符的操作可能会导致危险。

e) 电池式工具使用和注意事项：

- 1) **只用制造商规定的充电器充电。**将适用于某种电池组的充电器用到其他电池组时会发生着火危险。
- 2) **只有在配有专用电池组的情况下才使用电动工具。**使用其他电池组会发生损坏和着火危险。
- 3) **当电池盒不用时，将它远离其他金属物体，例如回形针、硬币、钥匙、钉子、螺钉或其他小金属物体，以防一端与另一端连接。**电池端部短路会引起燃烧或火灾。

- 4) **在滥用条件下，液体会从电池中溅出，避免接触。如果意外碰到了，用水冲洗。**如果液体碰到了眼睛，还要寻求医疗帮助。从电池中溅出的液体会发生腐蚀或燃烧。

f) 维修

- 1) **让专业维修人员使用相同的备件维修电动工具。**这将保证所维修的电动工具的安全。

电动工具附加安全警告



警告！冲击扳手附加安全警告

- ◆ **使用冲击电钻时请佩戴听力保护器。**暴露在噪声中会引起听力损伤。
- ◆ **请使用工具随附的辅助手柄。**操作失手会引起人身伤害。
- ◆ **在切割附件可能触及暗线之处进行操作时，要通过绝缘握持面来握持电动工具。**切割配件如果接触到“带电”导线，电动工具金属部件表面就会“带电”并使操作人员触电。
- ◆ **使用夹具或其它可行的方法，将工件固定并支撑到稳定的平台上。**手持或用身体顶住工件都是不稳定的，会导致操作失控。
- ◆ **本工具不适合体力、感官或智力不足以及缺乏经验、知识的人员（包括儿童），除非负责他们安全的人员已经为他们提供关于使用此设备的监督或指示。**应照看好儿童，以确保他们不将此设备当做玩具来玩。
- ◆ **本说明书描述了工具的设计用途。**使用非本使用手册所建议的任何其他附件或配件，或者使用本工具执行非手册建议的任何其他操作，都可能存在人身伤害和/或财产损失的危险。

他人安全

- ◆ **本设备不适合体力、感官或智力不足以及缺乏经验、知识的人员（包括儿童），除非负责他们安全的人员已经为他们提供关于使用此设备的监督或指示。**
- ◆ **必须监督儿童，确保他们不将此设备当做玩具来玩。**
- ◆ **听力损伤。**

- ◆ 在使用充电器之前，请先阅读所有指示以及充电器、电池组和使用电池组的产品上的警示标记。

△警告：触电危险。请勿让任何液体渗入充电器，

△警告：灼伤危险。为降低人身伤害风险，只能使用指定的**史丹利**电池充电。使用其它类型的电池可能会引起爆裂，并导致人身伤害和损害。

△警告：在某些情况下，充电器连接到电源时，充电器可能因为外来物件而短路。请勿让能导电的外来物件靠近充电器腔，这些外来物件包括但不限于钢棉、铝箔或任何金属颗粒的堆积物。充电器内没有电池组时，请断开充电器与电源的连接。清洗前，务必拔掉充电器。

- ◆ 请勿试图使用本手册指定的充电器以外的其他任何充电器为电池组充电。充电器和电池组都是专门设计的，互相配合使用。

- ◆ 除了史丹利充电式电池充电以外，这些充电器不能用于其他任何用途。否则，可能会导致火灾、触电或电击。

- ◆ 不要将充电器暴露在雨中或雪中。

- ◆ 断开充电器连接时，应拔下插头，切勿拉拽电源线。这将降低对插头和电线的损害风险。

- ◆ 确保电源线布置在不易踩踏、踢绊、拉扯或会受到损害或压力的位置。

- ◆ 非绝对必要条件下禁止使用延长电线。使用不正确的延长电源线可能导致火灾、触电或电击的风险。

- ◆ 延长线的尺寸必须适合以确保安全。电缆的线规编号越小，载流量越大，例如 16 号比 18 号电缆的载流量大。使用两段以上延长线以达到总长度时，确保每一段延长线都至少包含最小尺寸电缆。

- ◆ 不要将任何物件置放在充电器顶端或将充电器置放在软表面上，这可能阻挡通风槽并导致内部过热。将充电器放置在远离任何热源的位置。充电器外壳顶端和底端具有通风槽。

- ◆ 禁止使用电源线或插头已损坏的充电器 — 必须立即将其更换。

- ◆ 如果充电器受到强烈冲击、掉落或出现其它损坏情况，请不要使用充电器。将它送往授权维修中心。

- ◆ 请勿拆卸充电器；需要检修或维修时，请送往授权服务中心。重装不正确可能导致触电、电击或火灾风险。

- ◆ 尝试进行任何清洁之前将充电器从插座上拔下，以降低触电风险。取出电池组不会降低触电风险。

- ◆ 请勿尝试将 2 个充电器连接在一起。

- ◆ 充电器额定电压是标准家用电压。请勿试图在任何其他电压下使用充电器。

请妥善保管好这些说明

电池组的重要安全说明

△警告：为了安全操作，请在使用充电器之前阅读本手册和工具随附的手册。

包装箱内的电池组并未完全充电。使用电池组和充电器之前，请阅读下列安全说明，然后遵循所述的充电程序。

请阅读所有说明

- ◆ 即使电池组严重受损或完全损坏，也不要焚化电池组。电池组在火中会发生爆炸。锂离子电池组在燃烧时会释放有毒烟雾和物质。
- ◆ 不要在易爆环境中充电或使用电池，如有易燃液体、气体或粉尘的环境。在充电器中插入或取出电池时可能会点燃粉尘或气体。
- ◆ 如果皮肤接触到电池内部物质，请立即用中性肥皂和清水冲洗接触的地方。如果电池液体不慎进入眼睛，应睁开眼睛并用清水冲洗至少 15 分钟或直到刺激感消失。如果需要医疗救助，请告知医护人员。锂离子电池的电解质由液状有机碳酸盐和锂盐的混合物组成。
- ◆ 已打开电池的內部物质可能会导致呼吸道刺激。请转移至新鲜空气处。如果症状持续存在，请就医。
- △警告：灼伤危险。电池液如果接触到火花或火焰可能会燃烧。
- ◆ 只使用史丹利充电器为电池组充电。

◆ **不要喷溅或将其浸泡在水中或其它液体中。**这可能会导致电池过早失效。

◆ **请勿在温度可能达到或超过 105°F (40°C) 的地方（如夏天户外的棚子或金属建筑物中）存储或使用工具和电池组。**

△ **警告：**切勿以任何理由试图打开电池组。电池组外壳破裂或损坏时，请勿将电池组插入充电器。不要挤压、掉落或损坏电池组。请勿使用受过强烈重击、掉落、碾压或以任何其它方式（如被钉子穿破、受到锤子的重击、踩踏）受损的电池组或充电器。损坏的电池组应送回维修中心进行回收。

△ **警告：火灾危险。请勿在存储或搬运电池时让金属物品接触暴露的电池两极。**例如，请勿将电池放在围裙、口袋、工具箱、产品套件盒、抽屉等可能与散钉、螺丝、钥匙等物品接触的地方。**电池运输途中，如果电池两极意外接触钥匙、硬币、手持工具等导电材料，可能会引发火灾。**注：锂离子电池不应放在托运行李中。



存储建议

1. 最好将电池存放在阴凉、干燥、远离阳光直射、不会过热或过冷的地方。
2. 长期储存不会损害电池组或充电器。

充电程序

史丹利充电器设计用于为


史丹利电池组充电，充电时间为 60-120 分钟，具体视充电的电池组而定。

1. 放进电池组前，先将充电器的插头插到相应的电源插座上。
2. 将电池组插入充电器。（图 B）
3.  LED 灯将会闪烁，表示电池正在充电。
4.  LED 灯持续亮起，表示充电完成。此时电池组已完全充电，您可以使用电池组或将电池组留在充电器中。


充电器故障诊断

本充电器能够检测电池组或电源可能出现的一些问题。LED 灯不同的闪烁模式表示出现不同的问题。

电池损坏

 充电器可以检测电力不足或受损的电池。LED 灯按标签上所标示的模式闪烁。如果您看到电池损坏的闪烁模式，请不要继续为电池充电。请将电池送回维修中心或回收站进行回收。

热/冷电池组延迟

 当充电器检测到电池过热或过冷时，它会启动热/冷电池延迟模式，暂停充电，直到电池达到正常的温度。启动此模式后，充电器会自动切换到电池组充电模式。此功能可确保电池拥有最长的使用寿命。LED 按标签上所标示的模式闪烁。

将电池留在充电器中

充电器可以和电池组长期连接，此时 LED 指示灯常亮。充电器会减少电池损耗，保持电量充满。充电器具有一个自动调整模式，可以均衡或平衡电池组中的单个电池，以允许其在峰值容量下工作。电池组应每周调整一次，或在电池组的工作效率降低时进行调整。要使用自动调整模式，将电池组放在充电器内至少 8 个小时。

重要充电说明

1. 在空气温度为 65°F - 75°F (18- 24°C) 的环境中充电可以达到最长的电池组使用寿命和最佳效能。请勿在空气温度低于 +40°F (+4.5°C) 或高于 +105°F (+40.5°C) 的情况下为电池组充电。这很重要，可以防止电池组严重受损。
2. 充电时，充电器和电池组表面温度可能升高。这是正常现象，并不表示出现问题。要在使用后加快电池组冷却速度，应避免将充电器或电池组放在金属棚或绝缘拖车等温度较高的地方。
3. 如果电池组没有正常充电：
 - a. 在插座中插入灯具或其它电器的插头，以检查插座中是否有电流
 - b. 检查插座是否与灯具开关相连接，关闭灯具开关时会切断电源。

- c. 将充电器和电池组移至周围空气温度约为 65 - 75°F (18- 24°C) 的地方。
 - d. 如果充电问题仍然存在，请将工具、电池组和充电器送往当地维修中心。
4. 当电池组无法像从前一样为作业轻松提供足够的电量时，必须进行充电。在这些情况下请勿继续使用。请遵循充电程序。您可以为已消耗部分电量的电池组充电，这不会对电池组造成不良影响。
 5. 请勿让能导电的外来物件靠近充电器腔，这些外来物件包括但不限于钢棉、铝箔或任何金属颗粒的堆积物。充电器内没有电池组时，请断开充电器与电源的连接。清洗前，务必拔掉充电器。
 6. 请勿冻结充电器或将充电器浸泡在水或任何其他液体中。
- △警告：触电危险。** 请勿让任何液体渗入充电器，切勿以任何理由试图打开电池组。如果电池组的塑料外壳破损或开裂，请送回维修中心再循环利用。

操作说明

插入或取出工具上的电池组

警告： 安装或拆卸电池前，请确保锁定按钮已闭合以避免开关启动。

1. **安装电池组：** 如图 C 所示，将电池组 (7) 紧紧插入工具中，直至听到“咔嚓”声。
2. **取出电池组：** 如图 D 所示，按下电池释放按钮 (8)，然后从工具中拉出电池组。
3. **触发开关和正/反转按钮 - 图 E**

电钻通过按下和松开触发开关 (1) 开启和关闭，如图 E 所示。触发开关按得越深，钻孔速度就越快。

- 正/反转控制按钮 (2) 可确定工具旋转方向，并可作为锁定按钮使用。
- 若要选择正向旋转，请松开触发开关，然后按下工具右侧的正/反转控制按钮。
- 若要选择反向旋转，请按下工具左侧的正/反转控制按钮。

- 控制按钮的中心位置会将工具锁定在关闭状态。改变控制按钮的位置时，确保触发开关处于松开状态。

4. 调节扭矩控制 - 图 f

本工具配备用于选择操作模式以及设置扭矩以紧固螺钉的扭矩调节轴环 (3)。大螺丝和坚硬工件材料，比小螺丝和柔软工件材料需要更高的扭矩设置。

- 要在木材、金属和塑料上钻孔，可将轴环设置到钻孔位置符号处
- 要执行螺旋操作，请将轴环设置为所需设置。如果尚不知道相应设置，请执行下列操作：
- 将轴环设置到最低的扭矩设置。
- 拧紧第一个螺丝。
- 如果离合器在达到所需结果之前松脱，请增加轴环设置并继续拧紧螺丝。重复直到设置正确为止。对其余螺丝使用此设置。

5. 双档调速 - 图 G

电钻/起子机的双档功能可换挡以获得更大的适用性。

若要选择低速（高扭矩设置），请关闭工具并让它停止转动。将换挡器按钮 (4) 滑离夹头。

- 若要选择高速低扭矩设置（位置 2），请关闭工具并让它停止转动。将换挡器按钮滑回夹头处。
注： 工具运行时切勿换挡。如果无法换挡，请确保双速换挡按钮已完全向前推动或完全向后推动。

6. 自紧式夹头 - 图 H

△警告： 安装或拆卸零件前，请确保已取下电池组以避免开关启动。

要插入钻头或其他附件：

- 握紧夹头 (5) 并以逆时针方向（从夹头末端看）旋转。
- 将钻头或其他附件完全插入夹头，然后以顺时针方向（从夹头末端看）旋转夹头，将其拧紧。

△警告： 不要尝试通过握住夹头前端和打开工具来拧紧或拧松钻头（或任何其它附件）。更换附件时可能会导致夹头损坏和人身伤害。

7. 拧螺丝

- 要拧紧紧固件，应将正/反按钮拨到左边。
- 要拧松紧固件，则将反转按钮拨到右边。

注：转换方向时，必须先松开触发开关。

8. 钻孔

- 只使用锋利的钻头。
- 依照安全指示，适当地支撑和固定工件。
- 依照安全指示，使用适当、必要的安全设备。
- 依照安全指示，固定和维护工作区域。
- 慢慢地让电钻运转，轻轻地施压，直到所钻的洞不会让钻头滑出为止。
- 用力方向与钻头成一直线。请施加足够大的压力，保证钻头钻进所需，但不要大到马达失速或钻头倾斜。
- 双手牢牢握住电钻，一只手握住手柄，另一只手握住底部电池周围或辅助手柄（如果有）。
- **请勿试图通过按下、松开触发开关来启动失速的电钻，否则会损坏电钻。**
- 减轻压力并慢慢钻过洞的底部，以便将失速穿透的可能性降至最低。
- 将钻头从已钻好的洞拔出时，让电动机保持运转。这样有助于避免钻头卡住。
- **确保开关可以将电钻启动和关闭。**

1) 在木材上钻孔

木材钻孔可以使用和钢材钻孔一样的麻花钻头或扁钻头。钻头应锋利，且在钻孔时应经常拔出钻头来清理钻屑。

2) 在金属材料上钻孔

在金属上钻孔时，请使用切削润滑剂。但铸铁和黄铜材料例外，应干钻。效果最佳的切削润滑剂是硫化切削油或猪油。

3) 在砖石材料上钻孔

只使用碳化钻头或砖石钻头。请参阅“钻孔”部分。在电钻上均匀施力，但不要用力过猛，一面使易碎材料破裂。如果钻屑平滑、均匀地流出，则表明钻孔速度适当。

9. LED 工作灯

通过按下触发开关 (1) 启动电钻时，集成的 LED 工作灯 (10) 会自动亮起，照亮工作区域。

注意：工作灯用于照亮紧邻的工作表面，不能当做手电筒使用。

10. 钻头存储

工具顶部区域内置了两个磁性钻头存储槽 (6)。

1) 电池电量计 - 图 I

工具配备电池电量计 (9)。指示灯可用于在使用和充电过程中指示电池的当前充电水平。它并不表示该工具的功能，且将根据产品组件、温度和最终用户的使用情况而有所不同。

在使用过程中检查电池电量：

- 按下电池电量计按钮 (11)。
- 三个绿色 LED 灯 (12) 将亮起，指示电池的当前电量 (图 I)。
- 若 LED 灯未亮起，请为电池充电。

注：本电池设计为在电量低于电池容量的 20% 时不工作。电池电量不足后，该工具将不会操作，直至重新为电池充电。

2) 皮带夹 - 图 J

本工具提供皮带夹 (11)，可在使用过程中根据用户偏好切换到工具的任何一端，以便触及和存储。

- 将皮带夹的前唇 (J1) 置于底座凹口 (J2) 中。
- 使用提供的螺丝固定皮带夹，然后通过 Philips 螺丝起子将其拧紧。

△警告：在将工具与皮带连接之前，请确保正/反控制按钮 (2) 处于中心锁定位置。

维护

史丹利工具设计精良，可以长时间使用，而且只需极少的维护。要持续获得令人满意的工作效果，需要进行合适的工具维护和定期清洁。除了定期清洁外，本充电器无需其他保养。

警告：在工具上执行任何保养工作之前，请取出工具内的电池。清洁之前，先拔下充电器插头。

- ◆ 定期使用软刷或干布清洁工具和充电器内的通风槽。
- ◆ 定期使用湿布清洁电动机外壳。请不要使用任何研磨性或基于溶剂的清洁剂。
- ◆ 定期打开并轻拍夹头以清除内部粉尘。

保护环境



单独回收。本产品不得与普通家庭垃圾一起处理。

如果您发现您的史丹利产品需要进行替换，或您已经不再需要使用这些产品，请不要将它们与家庭废物一起处理。请将它们单独分类回收。



分类回收使用过的产品和包装能够让材料得以再循环和再利用。再生材料的再利用有助于防止环境污染，并降低对原材料的需求。

电池



耗尽电池的电力，然后将其从工具中取出。

镍镉、镍氢和锂离子电池可再循环利用。将电池送到任一授权维修代理或当地的回收站。

服务信息

史丹利提供覆盖整个亚洲的公司隶属和授权服务地点。所有史丹利服务中心都具有训练有素的人员，为客户提供高效和可靠的电动工具服务。不论您需要技术建议、维修还是原厂替换部件，都可以联系最靠近您的史丹利服务中心。

备注

- ◆ 史丹利的政策是持续改进我们的产品，因此，我们保留随时更改产品规格的权利，恕不另行通知。
- ◆ 标准设备和配件可能会因为不同的国家而有所不同。
- ◆ 产品规格可能会因为不同的国家而有所不同。
- ◆ 并非所有的国家都有提供完整的产品系列。有关各产品系列的供货情况，请联系您当地的史丹利代理商。

