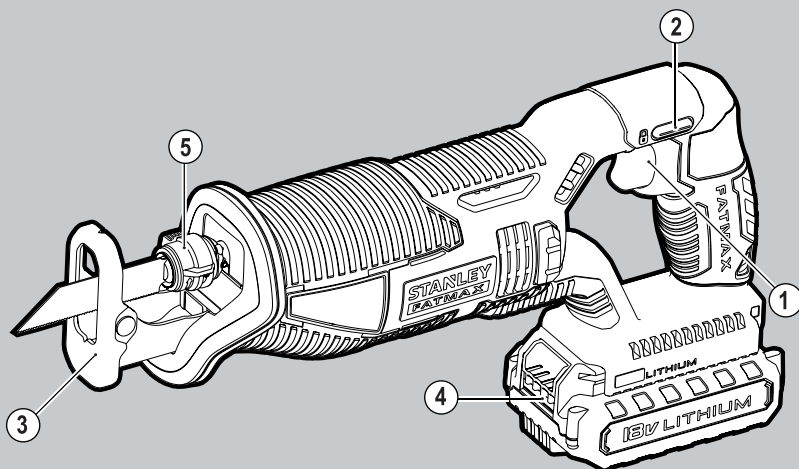
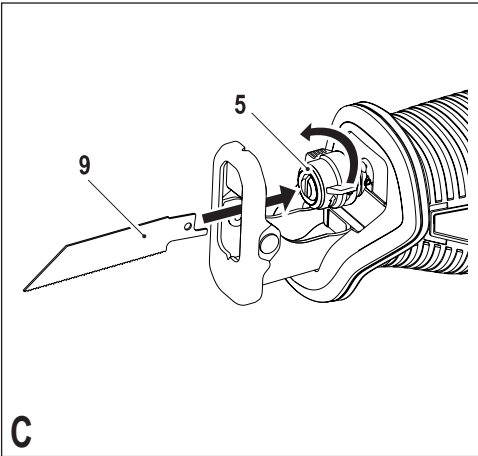
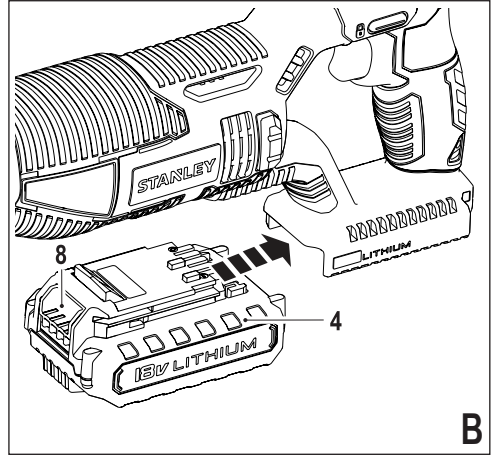
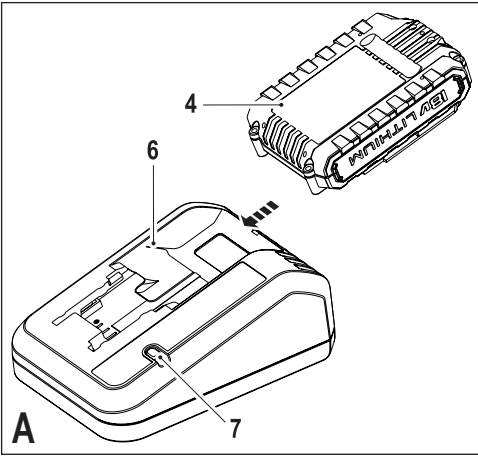


STANLEY





CORDLESS RECIPROCATING SAW

STCT1822

Technical Data

STCT1822		
Input power	V	18
No-load speed/rated speed	min ⁻¹	0-3000
Stroke length	mm	25
Weight	kg	2.0
charger		
Input power	V Ac	220
Output Voltage	Vdc	18
Current	A	2
Approx. charge time	min	60-120
Battery		
		STBL182L
Voltage	Vdc	18
Capacity	Ah	2.0
Type	Li-Ion	

Your Stanley cordless reciprocating saw has been designed for sawing wood, plastics and sheet metal. This tool is intended for professional and private, non professional users.

Safety instructions

General power tool safety warnings



WARNING! Read all safety warnings and all instructions. Failure to follow the warnings and instructions listed below may result in electric shock, fire and/or serious injury.

Save all warnings and instructions for future reference. The term "power tool" in all of the warnings listed below refers to your mains operated (corded) power tool or battery operated (cordless) power tool.

1. Work area safety

- a. **Keep work area clean and well lit.** Cluttered or dark areas invite accidents.
- b. **Do not operate power tools in explosive atmospheres, such as in the presence of flammable liquids, gases or dust.** Power

tools create sparks which may ignite the dust or fumes.

- c. **Keep children and bystanders away while operating a power tool.** Distractions can cause you to lose control.

2. Electrical safety

- a. **Power tool plugs must match the outlet. Never modify the plug in any way. Do not use any adapter plugs with earthed (grounded) power tools.** Unmodified plugs and matching outlets will reduce risk of electric shock.
- b. **Avoid body contact with earthed or grounded surfaces such as pipes, radiators, ranges and refrigerators.** There is an increased risk of electric shock if your body is earthed or grounded.
- c. **Do not expose power tools to rain or wet conditions.** Water entering a power tool will increase the risk of electric shock.
- d. **Do not abuse the cord. Never use the cord for carrying, pulling or unplugging the power tool. Keep cord away from heat, oil, sharp edges or moving parts.** Damaged or entangled cords increase the risk of electric shock.
- e. **When operating a power tool outdoors, use an extension cord suitable for outdoor use.** Use of a cord suitable for outdoor use reduces the risk of electric shock.
- f. **If operating a power tool in a damp location is unavoidable, use a residual current device (RCD) protected supply.** Use of an RCD reduces the risk of electric shock.

3. Personal safety

- a. **Stay alert, watch what you are doing and use common sense when operating a power tool. Do not use a power tool while you are tired or under the influence of drugs, alcohol or medication.** A moment of inattention while operating power tools may result in serious personal injury.
- b. **Use personal protective equipment. Always wear eye protection.** Protective equipment such as dust mask, non skid safety shoes, hard hat, or hearing protection used for appropriate conditions will reduce personal injuries.
- c. **Prevent unintentional starting. Ensure the switch is in the off position before connecting to power source and/or battery**

pack, picking up or carrying the tool.

Carrying power tools with your finger on the switch or energising power tools that have the switch on invites accidents.

- d. Remove any adjusting key or wrench before turning the power tool on.** A wrench or a key left attached to a rotating part of the power tool may result in personal injury.
- e. Do not overreach. Keep proper footing and balance at all times.** This enables better control of the power tool in unexpected situations.
- f. Dress properly. Do not wear loose clothing or jewellery. Keep your hair, clothing and gloves away from moving parts.** Loose clothes, jewellery or long hair can be caught in moving parts.
- g. If devices are provided for the connection of dust extraction and collection facilities, ensure these are connected and properly used.** Use of dust collection can reduce dust related hazards.

4. Power tool use and care

- a. Do not force the power tool. Use the correct power tool for your application.** The correct power tool will do the job better and safer at the rate for which it was designed.
- b. Do not use the power tool if the switch does not turn it on and off.** Any power tool that cannot be controlled with the switch is dangerous and must be repaired.
- c. Disconnect the plug from the power source and/or the battery pack from the power tool before making any adjustments, changing accessories, or storing power tools.** Such preventive safety measures reduce the risk of starting the power tool accidentally.
- d. Store idle power tools out of the reach of children and do not allow persons unfamiliar with the power tool or these instructions to operate the power tool.** Power tools are dangerous in the hands of untrained users.
- e. Maintain power tools. Check for misalignment or binding of moving parts, breakage of parts and any other condition that may affect the power tools operation. If damaged, have the power tool repaired before use.** Many accidents are caused by poorly maintained power tools.
- f. Keep cutting tools sharp and clean.** Properly

maintained cutting tools with sharp cutting edges are less likely to bind and are easier to control.

- g. Use the power tool, accessories and tool bits etc. in accordance with these instructions, taking into account the working conditions and the work to be performed.** Use of the power tool for operations different from those intended could result in a hazardous situation.

5. Battery tool use and care

- a) Recharge only with the charger specified by the manufacturer.** A charger that is suitable for one type of battery pack may create a risk of fire when used with another battery pack.
- b) Use power tools only with specifically designated battery packs.** Use of any other battery packs may create a risk of injury and fire.
- c) When battery pack is not in use, keep it away from other metal objects, like paper clips, coins, keys, nails, screws or other small metal objects, that can make a connection from one terminal to another.** Shorting the battery terminals together may cause burns or a fire.
- d) Under abusive conditions, liquid may be ejected from the battery; avoid contact.** If contact accidentally occurs, flush with water. If liquid contacts eyes, additionally seek medical help. Liquid ejected from the battery may cause irritation or burns.

6. Service


- a) Have your power tool serviced by a qualified repair person using only identical replacement parts.** This will ensure that the safety of the power tool is maintained.

Additional power tool safety warnings

Warning! Additional safety warnings for hand held saws

- ◆ **Hold power tool by insulated gripping surfaces, when performing an operation where the cutting accessory may contact hidden wiring.** Cutting accessory contacting a "live" wire may make exposed metal parts of the power tool "live" and could give the operator an electric shock.

- ◆ **Use clamps or another practical way to secure and support the workpiece to a stable platform.** Holding the work by hand or against your body leaves it unstable and may lead to loss of control.
- ◆ **Keep hands away from cutting area.** Never reach underneath the work piece any reason. Do not insert fingers or thumb into the vicinity of the reciprocating blade and blade clamp. Do not stabilize the saw by gripping the shoe.
- ◆ **Keep blades sharp.** Dull or damaged blades may cause the saw to swerve or stall under pressure. Always use the appropriate type of saw blade for the workpiece material and type of cut.
- ◆ **When cutting pipe or conduit, make sure that they are free from water, electrical wiring, etc.**
- ◆ **Do not touch the workpiece or the blade immediately after operating the tool.** They can become very hot.
- ◆ **Be aware of hidden hazards, before cutting into walls, floors or ceilings, check for the location of wiring and pipes.**
- ◆ **The blade will continue to move after releasing the switch.** Always switch the tool off and wait for the saw blade to come to a complete standstill before putting the tool down.

 **Warning!** The vibration emission value during actual use of the power tool can differ from the declared value depending on the ways in which the tool is used. The vibration level may increase above the level stated.

- ◆ **The intended use is described in this instruction manual.** The use of any accessory or attachment or performance of any operation with this tool other than those recommended in this instruction manual may present a risk of personal injury and/or damage to property.

Safety of others

- ◆ This appliance is not intended for use by persons (including children) with reduced physical, sensory or mental capabilities, or lack of experience and knowledge, unless they have been given supervision or instruction concerning use of the appliance by a person responsible for their safety.
- ◆ Children should be supervised to ensure that they do not play with the appliance.

Residual risks

Additional residual risks may arise when using the tool which may not be included in the enclosed safety warnings. These risks can arise from misuse, prolonged use etc. Even with the application of the relevant safety regulations and the implementation of safety devices, certain residual risks can not be avoided. These include:

- ◆ Injuries caused by touching any rotating/moving parts.
- ◆ Injuries caused when changing any parts, blades or accessories.
- ◆ Injuries caused by prolonged use of a tool. When using any tool for prolonged periods ensure you take regular breaks.
- ◆ Impairment of hearing. u Health hazards caused by breathing dust developed when using your tool (example: working with wood, especially oak, beech and MDF.)

Labels on tool

The following pictograms are shown on the tool:



Warning! To reduce the risk of injury, the user must read the instruction manual.

Additional safety instructions for batteries and chargers

Batteries

- ◆ Never attempt to open for any reason.
- ◆ Do not expose the battery to water.
- ◆ Do not store in locations where the temperature may exceed 40 °C.
- ◆ Charge only at ambient temperatures between 10 °C and 40 °C.
- ◆ Charge only using the charger provided with the tool.
- ◆ When disposing of batteries, follow the instructions given in the section "Protecting the environment".



Do not attempt to charge damaged batteries.

Chargers

- ◆ Use your Stanley charger only to charge the battery in the tool with which it was supplied. Other batteries could burst, causing personal injury and damage.
- ◆ Never attempt to charge non rechargeable batteries.
- ◆ Have defective cords replaced immediately.

- ◆ Do not expose the charger to water.
- ◆ Do not open the charger.
- ◆ Do not probe the charger.



The charger is intended for indoor use only.



Read the instruction manual before use.

Electrical safety



Your charger is double insulated; therefore no earth wire is required. Always check that the mains voltage corresponds to the voltage on the rating plate. Never attempt to replace the charger unit with a regular mains plug.

- ◆ If the supply cord is damaged, it must be replaced by the manufacturer or an authorised Stanley Service Centre in order to avoid a hazard.

Features

This tool includes some or all of the following features.

1. Variable speed switch
2. Lock-off button
3. Shoe
4. Battery
5. Blade clamp collar

Fig. A

6. Charger
7. Charging indicator

Assembly

Warning! Before assembly, remove the battery from the tool and make sure that the saw blade has stopped. Used saw blades may be hot.

Fitting the saw blade (fig. C)

- ◆ Hold the tool away from the body. Rotate the blade clamp collar (5) in the direction shown in figure C.
- ◆ Insert the shank of the blade (9) fully into the blade clamp collar (5).
- ◆ Release the blade clamp collar (5) to lock the blade into position.

Note: The blade can be installed with the teeth up to assist in flush cutting.

Removing the saw blade (fig. C)

Warning! Burn hazard: Do not touch the blade immediately after use. Contact with the blade may result in personal injury.

- ◆ Rotate the blade clamp collar (5) to the release position.
- ◆ Remove blade (9)

Lock-off button

The tool is equipped with a switch lock-off feature to prevent unintentional operation.

- ◆ To lock: push the lock-off button (2) to the locked position.
- ◆ To un-lock: push the lock-off button (2) to the un-locked position.

Fitting and removing the battery (fig. B)

- ◆ To fit the battery (4), line it up with the receptacle on the tool. Slide the battery into the receptacle and push until the battery snaps into place.
- ◆ To remove the battery, push the release buttons (8) while at the same time pulling the battery out of the receptacle.

Use

Warning! Let the tool work at its own pace. Do not overload.

Charging the battery (fig. A)

The battery needs to be charged before first use and whenever it fails to produce sufficient power on jobs that were easily done before. The battery may become warm while charging; this is normal and does not indicate a problem.

Warning! Do not charge the battery at ambient temperatures below 10 °C or above 40 °C. Recommended charging temperature: approx. 24 °C.

Note: The charger will not charge a battery if the cell temperature is below approximately 0 °C or above 40 °C. The battery should be left in the charger and the charger will begin to charge automatically when the cell temperature warms up or cools down.

- ◆ To charge the battery (4), insert it into the charger (6). The battery will only fit into the charger in one way. Do not force. Be sure that the battery is fully seated in the charger.
- ◆ Plug in the charger and switch on at the mains.

The charging indicator (7) will flash green (slowly). The charge is complete when the charging indicator (7) lights green continuously. The charger and the battery can be left connected indefinitely with the LED illuminated. The LED will change to flashing green (charging) state as the charger occasionally tops up the battery charge. The charging indicator (7) will be lit as long as the battery is connected to the plugged in charger.

- ◆ Charge discharged batteries within 1 week. Battery life will be greatly diminished if stored in a discharged state.

Leaving the battery in the charger

The charger and battery pack can be left connected with the LED glowing indefinitely. The charger will keep the battery pack fresh and fully charged.

Charger diagnostics

If the charger detects a weak or damaged battery, the charging indicator (7) will flash red at a fast rate. Proceed as follows:

- ◆ Reinsert the battery (4). If the charging indicators continues flashing red at a fast rate, use a different battery to determine if the charging process works properly.
- ◆ If the replaced battery charges correctly, the original battery is defective and should be returned to a service centre for recycling.
- ◆ If the new battery gives the same indication as the original battery, take the charger to be tested at an authorised services centre.

Note: It may take as long as 60 minutes to determine that the battery is defective. If the battery is too hot or too cold, the LED will alternately blink red, fast and slow, one flash at each speed and repeat.

Switching on and off

The variable speed on/off switch offers a choice of speeds for greatly improved cutting rates in various materials.

- ◆ To switch the tool on, squeeze the variable speed on/off switch (1).
- ◆ To switch the tool off, release the variable speed on/off switch (1).

Sawing

- ◆ Always hold the tool with both hands.
- ◆ Let the blade run freely for a few seconds before starting the cut.

- ◆ Apply only a gentle pressure to the tool while performing the cut.
- ◆ If possible, work with the shoe (3) pressed against the workpiece. This will improve tool control and reduce tool vibration, as well as prevent the blade from being damaged.

Hints for optimum use

Sawing wood

- ◆ Clamp the workpiece securely and remove all nails and metal objects.
- ◆ Holding the tool with both hands, work with the shoe (3) pressed against the workpiece.

Flush cutting

The compact design of the reciprocating saw motor housing and pivoting shoe permit close cutting to floors, corners and other difficult areas.

To maximize flush cutting capabilities:

- ◆ Insert the blade shaft into the blade clamp with the teeth of the blade facing up.
- ◆ Adjust the angle of the handle on the tool so you are as close to the work surface as possible.

Sawing metal

Be aware that sawing metal takes much more time than sawing wood.

- ◆ Use a saw blade suitable for sawing metal. Use a fine tooth saw blade for ferrous metals and a coarser saw blade for non ferrous metals.
- ◆ When cutting thin sheet metal, clamp a piece of scrap wood to the back surface of the workpiece and cut through this sandwich.
- ◆ Spread a film of oil along the intended line of cut.

Pocket cutting in wood

- ◆ Measure and mark the required pocket cut.
- ◆ Fit a saw blade suitable for pocket cutting.
- ◆ Rest the shoe (3) on the workpiece in such a position that the blade forms an appropriate angle for the pocket cut.
- ◆ Switch on the tool and slowly feed the blade into the workpiece. Make sure that the shoe (3) remains in contact with the workpiece at all times.

Cutting branches

Branches up to 25 mm in diameter can be cut with this tool. **Warning!** Do not use the tool while in a tree, on a ladder or on any other unstable surface.

Be aware of where the branch will fall.

- ◆ Cut downward and away from your body.
- ◆ Make the cut close to the main branch or tree body.

Vertical cutting

The tool allows close cutting to corners and other difficult areas.

- ◆ Insert the shank of the saw blade into the blade holder with the teeth of the blade facing upward.
- ◆ Hold the tool with the shoe (3) facing downward so that you are as close to the work surface as possible.
- ◆ Cut forward and away from your body.

Accessories

The performance of your tool depends on the accessory used. Stanley accessories are engineered to high quality standards and designed to enhance the performance of your tool. By using these accessories you will get the very best from your tool.

Blades

The saw will accept a blade up to 30 cm long. Always use the shortest blade suitable for your project but long enough to keep the blade cutting through the material. Longer blades are more likely to be bent or damaged during use. During operation some longer blades may vibrate or shake if the saw is not kept in contact with the workpiece.

Maintenance

Your Stanley corded/cordless appliance/tool has been designed to operate over a long period of time with a minimum of maintenance. Continuous satisfactory operation depends upon proper tool care and regular cleaning.

Warning! Before performing any maintenance on corded/cordless power tools:

- ◆ Switch off and unplug the appliance/tool.
- ◆ Or switch off and remove the battery from the appliance/tool if the appliance/tool has a separate battery pack.
- ◆ Or run the battery down completely if it is integral and then switch off.
- ◆ Unplug the charger before cleaning it. Your charger does not require any maintenance

apart from regular cleaning.

- ◆ Regularly clean the ventilation slots in your appliance/tool/charger using a soft brush or dry cloth.
- ◆ Regularly clean the motor housing using a damp cloth. Do not use any abrasive or solvent based cleaner.
- ◆ Regularly open the chuck and tap it to remove any dust from the interior (when fitted).

Protecting the environment



Separate collection. This product must not be disposed of with normal household waste.

Should you find one day that your Stanley product needs replacement, or if it is of no further use to you, do not dispose of it with household waste. Make this product available for separate collection.



Separate collection of used products and packaging allows materials to be recycled and used again. Reuse of recycled materials helps prevent environmental pollution and reduces the demand for raw materials.

Local regulations may provide for separate collection of electrical products from the household, at municipal waste sites or by the retailer when you purchase a new product.

Batteries



Stanley batteries can be recharged many times. At the end of their useful life, discard batteries with due care for our environment.

Service Information

Stanley offers a full network of company owned and authorized service locations throughout Asia. All Stanley Service Centers are staffed with trained personnel to provide customers with efficient and reliable power tool service. Whether you need technical advice, repair, or genuine factory replacement parts, contact the Stanley location nearest to you.

Notes

- ◆ Stanley's policy is one of continuous improvement to our products and, as such, we reserve the right to change product specifications without prior notice.
- ◆ Standard equipment and accessories may vary by country.
- ◆ Product specifications may differ by country.
- ◆ Complete product range may not be available in all countries. Contact your local Stanley dealers for range availability.

充电往复式电锯

STCT1822

技术参数

STCT1822		
输入功率	伏	18
空载转速/额定转速	转/分	0-3000
冲程长度	毫米	25
重量	千克	2.0

充电器

输入功率	伏特 (交流)	220
输出电压	伏特 (直流)	18
电流	A	2
大约充电时间	分钟	60-120

STBL182L		
电压	伏特 (直流)	18
电池容量	安时	2.0
类型	锂离子	

这款 Stanley 充电往复式电锯设计用于切割木材、塑料和金属板。本工具可供专业、私人以及非专业用户使用。

安全说明

电动工具通用安全警告



警告！阅读所有警告和所有说明。不遵照以下警告和说明会导致电击、着火和/或严重伤害。

保存所有警告和说明书以备查阅。

在所有下列的警告中术语“电动工具”指市电驱动（有线）电动工具或电池驱动（无线）电动工具。

a) 工作场地的安全

- 1) 保持工作场地清洁和明亮。混乱和黑暗的场地会引发事故。

- 2) 不要在易爆环境，如有易燃液体、气体或粉尘的环境下操作电动工具。电动工具产生的火花会点燃粉尘或气体。
- 3) 让儿童和旁观者离开后操作电动工具。注意力不集中会使你失去对工具的控制。

b) 电气安全

- 1) 电动工具插头必须与插座相配。绝不能以任何方式改装插头。需接地的电动工具不能使用任何转换插头。未经改装的插头和相配的插座将减少电击危险。
- 2) 避免人体接触接地表面，如管道、散热片和冰箱。如果你身体接地会增加电击危险。
- 3) 不得将电动工具暴露在雨中或潮湿环境中。水进入电动工具将增加电击危险。
- 4) 不得滥用电线。绝不能用电线搬运、拉动电动工具或拔出其插头。使电线远离热源、油、锐边或运动部件。受损或缠绕的软线会增加电击危险。
- 5) 当在户外使用电动工具时，使用适合户外使用的外接软线。适合户外使用的软线将减少电击危险。
- 6) 如果在潮湿环境下操作电动工具是不可避免的，应使用剩余电流动作保护器（RCD）。使用RCD可减小电击危险。

c) 人身安全

- 1) 保持警觉，当操作电动工具时关注所从事的操作并保持清醒。当你感到疲倦，或在有药物、酒精或治疗反应时，不要操作电动工具。在操作电动工具时瞬间的疏忽会导致严重人身伤害。
- 2) 使用个人防护装置。始终佩戴护目镜。安全装置，诸如适当条件下使用防尘面具、防滑安全鞋、安全帽、听力防护等装置能减少人身伤害。
- 3) 防止意外起动。确保开关在连接电源和/或电池盒、拿起或搬运工具时处于关断位置。手指放在已接通电源的开关上或开关处于接通时插入插头可能会导致危险。
- 4) 在电动工具接通之前，拿掉所有调节钥匙或扳手。遗留在电动工具旋转零件上的扳手或钥匙会导致人身伤害。

- 5) 手不要伸展得太长。时刻注意立足点和身体平衡。这样在意外情况下能很好地控制电动工具。
 - 6) 着装适当。不要穿宽松衣服或佩戴饰品。让你的衣服、手套和头发远离运动部件。宽松衣服、佩饰或长发可能会卷入运动部件中。
 - 7) 如果提供了与排屑、集尘设备连接用的装置，要确保他们连接完好且使用得当。使用这些装置可减少尘屑引起的危险。
- d) 电动工具使用和注意事项
- 1) 不要滥用电动工具，根据用途使用适当的电动工具。选用适当设计的电动工具会使你工作更有效、更安全。
 - 2) 如果开关不能接通或关断工具电源，则不能使用该电动工具。不能用开关来控制的电动工具是危险的且必须进行修理。
 - 3) 在进行任何调节、更换附件或贮存电动工具之前，必须从电源上拔掉插头和 / 或使电池盒与工具脱离。这种防护性措施将减少工具意外起动的危险。
 - 4) 将闲置不用的电动工具贮存在儿童所及范围之外，并且不要让不熟悉电动工具或对这些说明不了解的人操作电动工具。电动工具在未经培训的用户手中是危险的。
 - 5) 保养电动工具。检查运动件是否调整到位或卡住，检查零件破损情况和影响电动工具运行的其他状况。如有损坏，电动工具应在使用前修理好。许多事故由维护不良的电动工具引发。
 - 6) 保持切削刀具锋利和清洁。保养良好的有锋利切削刃的刀具不易卡住而且容易控制。
 - 7) 按照使用说明书，考虑作业条件和进行的作业来使用电动工具、附件和工具的刀头等。将电动工具用于那些与其用途不符的操作可能会导致危险。
- e) 电池式工具使用和注意事项：
- 1) 只用制造商规定的充电器充电。将适用于某种电池盒的充电器用到其他电池盒时会发生着火危险。
 - 2) 只有在配有专用电池盒的情况下才使用电动工具。使用其他电池盒会发生损坏和着火危险。
- 3) 当电池盒不用时，将它远离其他金属物体，例如回形针、硬币、钥匙、钉子、螺钉或其他小金属物体，以防一端与另一端连接。电池端部短路会引起燃烧或火灾。
 - 4) 在滥用条件下，液体会从电池中溅出，避免接触。如果意外碰到了，用水冲洗。如果液体碰到了眼睛，还要寻求医疗帮助。从电池中溅出的液体会发生腐蚀或燃烧。
- f) 维修
- 1) 让专业维修人员使用相同的备件维修电动工具。这将保证所维修的电动工具的安全。

电动工具附加安全警告



警告！手持式电锯附加安全警告

- ◆ 在切削附件可能触及暗线之处进行操作时，要通过绝缘握持面来握持电动工具。切削附件碰到带电导线会使工具外露的金属零件带电从而使操作者受到电击。
- ◆ 使用夹具或采取其他可行的方法，将工具可靠地固定在稳定的平台上。手持或用身体顶住工件都是不稳定的，会导致操作失控。
- ◆ 双手远离锯切区域。无论出于何种原因，都不能把手伸到工件下方。切勿将手指或拇指伸入正在往复切割的锯片和锯片夹周围。切勿通过抓住导板来稳定电锯。
- ◆ 保持锯片锋利。粗钝或损坏的锯片可能会导致电锯在压力下突然转向或停转。务必针对工件材料 and 切口类型使用合适类型的锯片。
- ◆ 锯切管道或导管时，请确保管道或导管中没有水或电线等障碍物。
- ◆ 使用完工具后，不要立即触碰工件或锯片。它们可能会变得很烫。
- ◆ 在墙上、地板或天花板上钻孔之前，请检查电线和管道位置，小心隐藏的危险。
- ◆ 释放开关后，锯片会继续转动。务必关闭工具电源并等待锯片完全静止后，再将工具放下。



警告！取决于工具的操作方式，实际使用电动工具时的振动发射值可能会与声明的值有所不同。振动值也许会高于声明的值。

- ◆ **本使用手册描述了工具的设计用途。**使用非本使用手册所建议的任何其他附件或配件，或者使用本工具执行非手册建议的任何其他操作，都可能存在人身伤害和/或财产损失的危险。

他人安全

- ◆ 本设备不适合体力、感官或智力不足以及缺乏经验、知识的人员（包括儿童），除非负责他们安全的人员已经为他们提供关于使用此设备的监督或指示。
- ◆ 监督儿童以确保他们不把设备当玩具。

其他风险

使用工具时，可能出现本安全警示之外的其他风险。这些风险可能来自使用不当，使用时间过长等。尽管遵守了相关的安全法规并采用了安全装备，某些其他风险仍然是无法避免的。这些风险包括：

- ◆ 接触旋转/移动部件时的伤害风险。
- ◆ 更换部件、锯片或配件时的伤害风险。
- ◆ 长期使用工具的伤害风险。长期使用任何工具时，均应定期休息。
- ◆ 吸入工具使用过程中产生的粉尘后，导致健康风险（例如：锯切木材，特别是橡木、山毛榉和中密度纤维板时）。

工具上的标签

工具上印有下列图形：



警告！为降低伤害风险，用户必须阅读说明手册。

电池和充电器的附加安全说明

电池

- ◆ 不论基于任何理由，都不要尝试打开电池。
- ◆ 不要将电池暴露在水中。
- ◆ 不要将电池存放在温度可能超过 40°C 的地方。
- ◆ 只在环境温度介于 10°C 和 40°C 之间的情况下充电。
- ◆ 只能使用本工具随附的充电器为电池充电。
- ◆ 处理电池时，请遵循“保护环境”部分所提供的说明进行。



不要尝试对损坏的电池充电。

充电器

- ◆ 只能使用工具随附的 Stanley 充电器为工具内的电池充电。其他非原厂电池可能会爆裂，导致人身伤害和损害。
- ◆ 切勿尝试为不可再充电的电池充电。
- ◆ 立即更换有缺陷的电源线。
- ◆ 不要将充电器暴露在水中。
- ◆ 不要打开充电器。
- ◆ 不要刺破充电器。



充电器仅供室内使用。



使用前请阅读使用手册。

电气安全



本充电器为双重绝缘，因此无需接地线。请务必检查电源电压是否与铭牌一致。切勿尝试使用一般的电源插头替换充电器。

- ◆ 如果电源线损坏，必须由制造商或 Stanley 授权维修中心更换，以避免发生危险。

功能部件

本工具包含如下部分或全部部件。

1. 变速开关
2. 锁止按钮
3. 导板
4. 电池
5. 锯片夹具轴环

图 A

6. 充电器
7. 充电指示灯

组装

警告！ 组装之前，请从工具上移除电池，并确保锯片已停止。用过的锯片可能会发热。

安装锯片（图 C）

- ◆ 握住工具，使其与身体保持一定距离，然后按照图 C 所示的方向旋转锯片夹具轴环 (5)。
- ◆ 将锯片 (9) 柄完全插入锯片夹具轴环 (5)。
- ◆ 松开锯片夹具轴环 (5) 以将锯片锁定到位。

注： 安装锯片时可将锯齿朝上以协助齐平切割。

拆除锯片（图 C）

警告！ 灼伤危险：使用工具后请勿马上去触摸锯片。接触锯片可能导致人身伤害。

- ◆ 将锯片夹具轴环 (5) 旋转到释放位置。
- ◆ 拆除锯片 (9)

锁止按钮

本工具配有锁止开关以防止意外操作。

- ◆ 锁定：将锁止按钮 (2) 推到锁定位置。
- ◆ 解锁：将锁止按钮 (2) 推到解锁位置。

安装及取出电池（图 B）

- ◆ 要安装电池 (4)，请将它与工具上的插座对齐。将电池滑入插座，然后推动直到电池卡入定位。
- ◆ 要取出电池，请按释放按钮 (8)，同时将电池从插座中拉出。

使用

警告！ 请让工具在自有速度下工作。切勿过载。

为电池充电（图 A）

电池在首次使用之前，以及无法像从前一样对工作轻松提供足够的电量时，都需要充电。电池在充电时可能会变热；这是正常现象，而且并不表示出现问题。

警告！ 请勿在环境温度低于 10°C 或高于 40°C 的情况下为电池充电。建议的充电温度大约 24°C。

注： 如果电池温度低于

约 0°C 或高于 40°C，则充电器不会为电池充电。

电池应留在充电器内，充电器会在电池温度升高或降低到合适温度时自动开始充电。

- ◆ 要为电池 (4) 充电，请将电池插入充电器 (6)。电池只能以一种方式插入充电器。请勿用力过猛。确保电池在充电器中完全到位。
- ◆ 插入充电器并打开电源。

充电指示灯 (7) 将闪烁绿色（缓慢）。充电指示灯 (7) 常亮绿色时表示充电完成。充电器可以和电池长期连接，此时 LED 指示灯常亮。在充电器不时为电池充电时，LED 指示灯会变成闪烁绿色（充电中）状态。只要设备连接插接电源的充电器，充电指示灯 (7) 就会亮起。

- ◆ 当电池电力耗尽时，请在 1 周内进行充电。在电力耗尽状态下保存会大大缩短电池寿命。

将电池留在充电器中

充电器可以和电池组长期连接，此时 LED 指示灯常亮。充电器会减少电池损耗，保持电量充满。

充电器故障诊断

充电器检测到脆弱或损坏的电池时，充电指示灯 (7) 会快速闪烁红色。请按以下步骤操作：

- ◆ 重新插入电池 (4)。如果充电指示灯仍然快速闪烁红色，请使用其他电池确定充电过程是否正常工作。
- ◆ 如果更换电池后可以正常充电，则原电池有缺陷，应送返服务中心进行回收处理。
- ◆ 如果更换电池后，指示灯仍然和原电池一样，则将充电器送至授权的服务中心进行测试。

注： 可能需要 60 分钟才能确定电池是否存在缺陷。如果电池太热或太冷，则 LED 会闪烁红色，闪烁频率为一快一慢相互交替。

开启和关闭

变速开关提供多种转速选择，可极大地提高各种材料的切割速率。

- ◆ 要开启工具电源，请挤压变速开关 (1)。
- ◆ 要关闭工具电源，请松开变速开关 (1)。

切割

- ◆ 务必双手握持电锯。
- ◆ 开始切割前让锯片空转数秒。
- ◆ 切割时仅对工具轻轻施压。
- ◆ 如果可以，用导板 (3) 压住工件。这样可以改善工具控制并减少工具振动，还能防止锯片损坏。

最佳使用提示

切割木材

- ◆ 牢固夹住工件，并清除所有钉子和金属物体。
- ◆ 双手握住工具，用导板 (3) 压住工件。

齐平切割

往复式电锯的电动机外壳和枢轴导板设计紧凑，可靠近地板、角落和其他难以操作的区域进行切割。要尽量发挥齐平切割功能：

- ◆ 将锯片轴插入锯片夹具，使锯齿朝上。
- ◆ 调整工具的握持角度，以便尽可能贴紧工件。

锯切金属

请注意，锯切金属花费的时间比锯切木材要长得多。

- ◆ 请使用适合锯切金属的锯片。对于含铁金属使用锯齿更精制的锯片，对于有色金属材料使用粗制锯片。
- ◆ 切割薄金属板时，在工件的背面垫一块废木料，然后将这两层材料一起切割。
- ◆ 沿着切割目标轨迹涂一层润滑油膜。

在木材中进行开口切割

- ◆ 测量并标记所需的切口。
- ◆ 安装适合开口切割的锯片。
- ◆ 将导板 (3) 贴近工件的合适位置，使锯片形成合适的角度，以便于进行开口切割。
- ◆ 开启工具，将锯片缓慢推入工件。确保导板 (3) 始终与工件接触。

切割树枝

本工具可切割最大直径 25 毫米的树枝。警告！请勿在树上、梯子上或任何其他不稳定的表面上使用本工具。请注意树枝下落的位置。

- ◆ 向下切割并与身体保持距离。
- ◆ 使切口贴近主干或树干。

垂直切割

本工具可以对角落及其他难以切割的区域进行切割。

- ◆ 保持锯齿朝前，将锯片柄尽可能插入锯片座中。
- ◆ 握住工具，使导板 (3) 朝下，以便您尽可能靠近工件表面。
- ◆ 向前切割并与身体保持距离。

附件

工具性能取决于所使用的附件。Stanley 附件按照高质量标准设计，旨在增强工具的性能。使用这些附件会令您的工具如虎添翼。

锯片

本电锯可以使用最长 30 厘米的锯片。务必使用适合切割的最短锯片，但要足够长以确保锯片穿透材料。较长的锯片在使用期间更可能弯折或损坏。操作过程中，如果电锯没有和工件保持接触，则某些较长的锯片可能振动或摇晃。

维护

Stanley 插电式/充电式设备/工具设计精良，可以长期使用，而且只需极少的维护。要连续获得令人满意的工作效果，需要进行合适的工具维护和定期清洁。

警告！对插电式/充电式电动工具进行任何维护工作之前，必须：

- ◆ 关闭电源并拔下设备/工具插头。
- ◆ 如果设备/工具配有独立电池组，请关闭电源并从设备/工具上取下电池。
- ◆ 如果设备/工具配有一体式电池，请将电池电量耗尽后，然后再关闭电源。

- ◆ 清洁之前，先拔下充电器插头。除了定期清洁外，本充电器无需其他保养。
- ◆ 定期使用软刷或干布清洁设备/工具/充电器内的通风槽。
- ◆ 定期使用湿布清洁电动机外壳。请勿使用任何研磨性或溶剂型清洁剂。
- ◆ 定期打开并轻拍夹头以清除内部粉尘（安装时）。

保护环境



分类回收。本产品不得与普通家庭垃圾一起处理。

如果您发现您的 Stanley 产品需要进行替换，或您已经不再需要使用这些产品，请不要将它们与家庭废物一起处理。请将它们单独分类回收。



分类回收使用过的产品和包装能够让材料得以再循环和再利用。再生材料的再利用有助于防止环境污染，并降低对原材料的需求。

当地法规可能要求由市政废物处理点或向您出售新产品的零售商提供从家庭中分类回收电气产品的服务。

电池



Stanley 电池可多次再充电。在电池使用寿命结束时，请妥善处理以保护我们的环境。

服务信息

Stanley 提供覆盖整个亚洲的公司隶属和授权服务地点。所有 Stanley 服务中心都具有训练有素的人员，为客户提供高效和可靠的电动工具服务。不论您是需要技术建议、维修或原厂替换部件，请联系最靠近您的 Stanley 服务中心。

备注

- ◆ Stanley 的政策是持续改进我们的产品，因此，我们保留随时更改产品规格的权利，恕不另行通知。
- ◆ 标准设备和配件可能会因为不同的国家而有所不同。
- ◆ 产品规格可能会因为不同的国家而有所不同。
- ◆ 并非所有的国家都有提供完整的产品系列。有关各产品系列的供货情况，请联系您当地的 Stanley 代理商。

