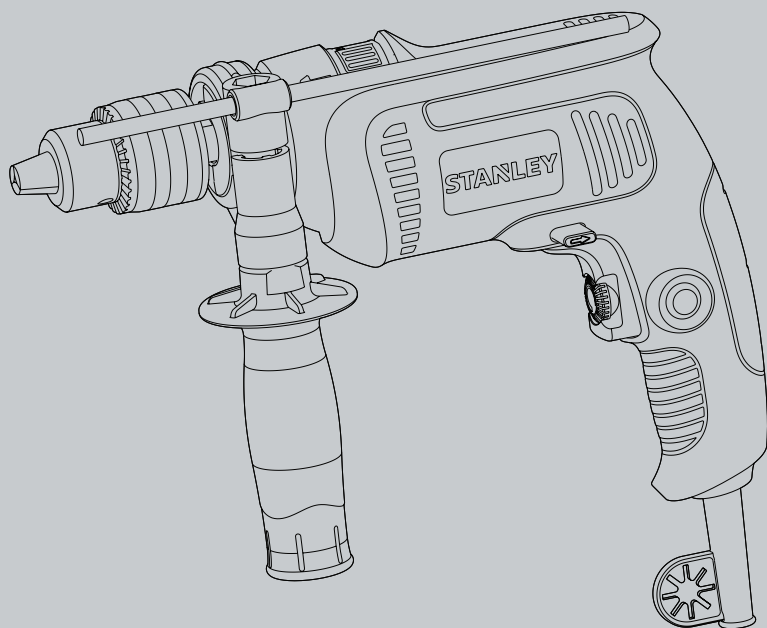
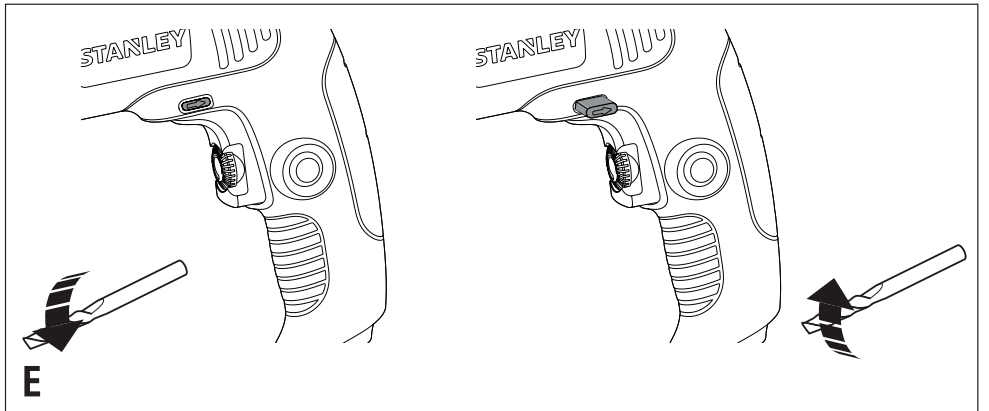
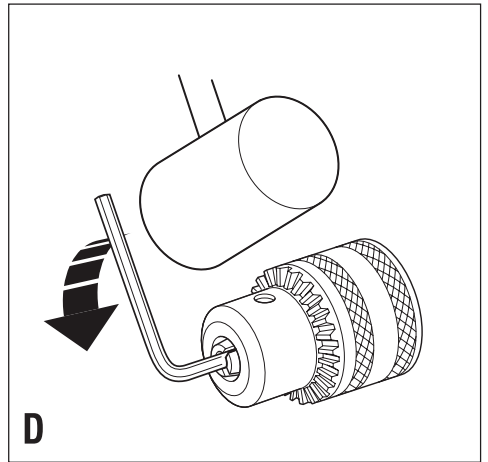
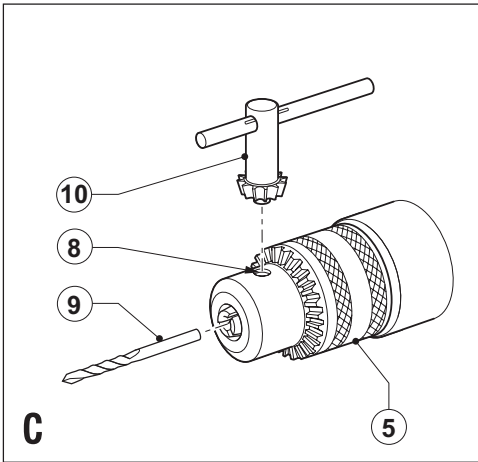
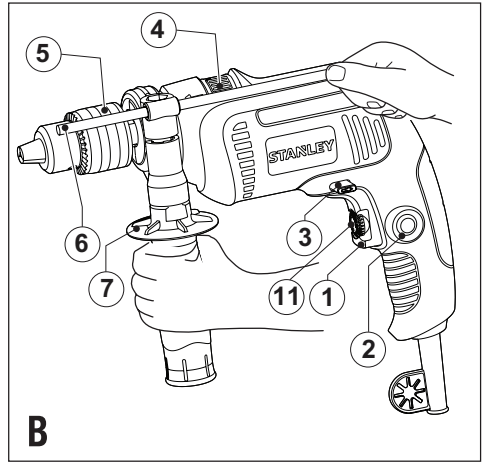
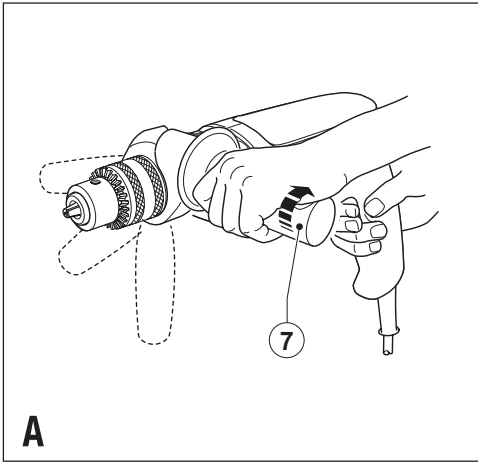


STANLEY



SDH600

English (Original Instruction)	3
简体中文	7
繁體中文	11
한국어	15
BAHASA INDONESIA	20
ภาษาไทย	26
TIẾNG VIỆT	31



SDH600 13mm Impact Drill

Technical data

SPECIFICATION		SDH600			
		-B1	-XD	-TW	-A9
Power	V	220-240	220-240	110	220
Frequency	Hz	50/60	50/60	60	50
Power	W				550
No-load speed	/min				0-2900
Impact rate	IPM				49300
Reverse/Forward rotation					Yes
Chuck capacity	mm				1.5-13
Max. Drilling Capacity					
Concrete/Metal/Wood	mm				13/13/25
Weight	kg				1.75

Intended use

Your Stanley Impact Drill has been designed for drilling in wood, metal, plastics and masonry.

Safety instructions

General Power Tool Safety Warnings



WARNING! Read all safety warnings and instructions. Failure to follow the warnings and instructions may result in electric shock, fire and/or serious injury.

SAVE ALL WARNINGS AND INSTRUCTIONS FOR FUTURE REFERENCE.

The term "power tool" in the warnings refers to your mains-operated (corded) power tool or battery-operated (cordless) power tool.

1. Work area safety

- Keep work area clean and well lit.** Cluttered or dark areas invite accidents.
- Do not operate power tools in explosive atmospheres, such as in the presence of flammable liquids, gases or dust.** Power tools create sparks which may ignite the dust or fumes.
- Keep children and bystanders away while operating a power tool.** Distractions can cause you to lose control.

2. Electrical safety

- Power tool plugs must match the outlet. Never modify the plug in any way. Do not use any adapter plugs with earthed (grounded) power tools.** Unmodified plugs and matching outlets will reduce risk of electric shock.
- Avoid body contact with earthed or grounded surfaces such as pipes, radiators, ranges and refrigerators.** There is an increased risk of electric shock if your body is earthed or grounded.
- Do not expose power tools to rain or wet conditions.** Water entering a power tool will increase the risk of electric shock.
- Do not abuse the cord. Never use the cord for carrying, pulling or unplugging the power tool. Keep cord away from heat, oil, sharp edges or moving parts.** Damaged or entangled cords increase the risk of electric shock.
- When operating a power tool outdoors, use an extension cord suitable for outdoor use.** Use of a cord suitable for outdoor use reduces the risk of electric shock.
- If operating a power tool in a damp location is unavoidable, use a residual current device (RCD) protected supply.** Use of an RCD reduces the risk of electric shock.

3. Personal safety

- Stay alert, watch what you are doing and use common sense when operating a power tool. Do not use a power tool while you are tired or under the influence of drugs, alcohol or medication.** A moment of inattention while operating power tools may result in serious personal injury.
- Use personal protective equipment. Always wear eye protection.** Protective equipment such as dust mask, non-skid safety shoes, hard hat, or hearing protection used for appropriate conditions will reduce personal injuries.
- Prevent unintentional starting. Ensure the switch is in the off-position before connecting to power source and/or battery pack, picking up or carrying the tool.** Carrying power tools with your finger on the switch or energising power tools that have the switch on invites accidents.
- Remove any adjusting key or wrench before turning the power tool on.** A wrench or a key left attached to a rotating part of the power tool may result in personal injury.
- Do not overreach. Keep proper footing and balance at all times.** This enables better control of the power tool in unexpected situations.
- Dress properly. Do not wear loose clothing or jewellery. Keep your hair, clothing and gloves away from moving parts.** Loose clothes, jewellery or long hair

can be caught in moving parts.

- g. **If devices are provided for the connection of dust extraction and collection facilities, ensure these are connected and properly used.** Use of dust collection can reduce dust-related hazards.
4. **Power tool use and care**
- a. **Do not force the power tool. Use the correct power tool for your application.** The correct power tool will do the job better and safer at the rate for which it was designed.
 - b. **Do not use the power tool if the switch does not turn it on and off.** Any power tool that cannot be controlled with the switch is dangerous and must be repaired.
 - c. **Disconnect the plug from the power source and/or the battery pack from the power tool before making any adjustments, changing accessories, or storing power tools.** Such preventive safety measures reduce the risk of starting the power tool accidentally.
 - d. **Store idle power tools out of the reach of children and do not allow persons unfamiliar with the power tool or these instructions to operate the power tool.** Power tools are dangerous in the hands of untrained users.
 - e. **Maintain power tools. Check for misalignment or binding of moving parts, breakage of parts and any other condition that may affect the power tools operation. If damaged, have the power tool repaired before use.** Many accidents are caused by poorly maintained power tools.
 - f. **Keep cutting tools sharp and clean.** Properly maintained cutting tools with sharp cutting edges are less likely to bind and are easier to control.
 - g. **Use the power tool, accessories and tool bits etc. in accordance with these instructions, taking into account the working conditions and the work to be performed.** Use of the power tool for operations different from those intended could result in a hazardous situation.
5. **Service**
- a. **Have your power tool serviced by a qualified repair person using only identical replacement parts.** This will ensure that the safety of the power tool is maintained.

ADDITIONAL POWER TOOL SAFETY WARNINGS



Warning! Additional safety warnings for drills and impact drills

- ◆ **Wear ear protectors when impact drilling.** Exposure to noise can cause hearing loss.
- ◆ **Use auxiliary handle(s), if supplied with the tool.** Loss of control can cause personal injury.

- ◆ **Hold power tool by insulated gripping surfaces when performing an operation where the cutting accessory may contact hidden wiring or its own cord.** Cutting accessory contacting a "live" wire may make exposed metal parts of the power tool "live" and could give the operator an electric shock.
- ◆ **Use clamps or another practical way to secure and support the workpiece to a stable platform.** Holding the work by hand or against your body leaves it unstable and may lead to loss of control.
- ◆ Before drilling into walls, floors or ceilings, check for the location of wiring and pipes.
- ◆ Avoid touching the tip of a drill bit just after drilling, as it may be hot.
- ◆ This tool is not intended for use by persons (including children) with reduced physical, sensory or mental capabilities, or lack of experience and knowledge, unless they have been given supervision or instruction concerning use of the appliance by a person responsible for their safety. Children should be supervised to ensure that they do not play with the appliance.
- ◆ The intended use is described in this instruction manual. The use of any accessory or attachment or performance of any operation with this tool other than those recommended in this instruction manual may present a risk of personal injury and/or damage to property.

LABELS ON TOOL

The label on your tool may include the following symbols:



WARNING! To reduce the risk of injury, the user must read the instruction manual.

POSITION OF DATE CODE

The Date Code, which also includes the year of manufacture, is printed into the housing.

Example :

2016 XX JN
Year of manufacturing

Electrical safety



This tool is double insulated; therefore no earth wire is required. Always check that the power supply corresponds to the voltage on the rating plate.

Features

This tool includes some or all of the following features.

- | | |
|---------------------------|----------------|
| 1. Variable speed switch | 5. Chuck |
| 2. Lock-on button | 6. Depth stop |
| 3. Forward/reverse button | 7. Side handle |
| 4. Drilling mode selector | |

Assembly



Warning! Before assembly, make sure that the tool is switched off and unplugged.

Fitting the side handle and depth stop (fig.A,B)

- ◆ Turn the grip counter clockwise until you can slide the side handle (7) onto the front of the tool as shown (fig.A).
- ◆ Rotate the side handle into the desired position.
- ◆ Insert the depth stop(6) into the mounting hole as shown (fig.B).
- ◆ Set the drilling depth as described below.
- ◆ Tighten the side handle by turning the grip clockwise.

Fitting a drill bit (fig.C)

- ◆ Open the chuck by turning the sleeve (5) counter clockwise.
- ◆ Insert the bit shaft (9) into the chuck (drill bit not included).
- ◆ Insert the chuck key(10) into each hole (8) in the side of the chuck and turn clockwise until it is tight.

Removing and refitting the chuck (fig.D)

- ◆ Open the chuck as far as possible.
- ◆ Remove the chuck retaining screw, located in the chuck, by turning it clockwise using a screwdriver.
- ◆ Tighten an Allen key into the chuck and strike it with a Impact as shown.
- ◆ Remove the Allen key. Remove the chuck by turning it counter clockwise.
- ◆ To refit the chuck, screw it onto the spindle and secure it with the chuck retaining screw.

Use



Warning! Let the tool work at its own pace. Do not overload.



Warning! Before drilling into walls, floors or ceilings, check for the location of wiring and pipes.

Selecting the direction of rotation (fig.E)

For drilling and for tightening screws, use forward (clockwise) rotation. For loosening screws or removing a jammed drill bit, use reverse (counter clockwise) rotation.

- ◆ To select forward rotation, push the forward/reverse button

(3) to the left position.

- ◆ To select reverse rotation, push the forward/reverse button (3) to the right. **Warning!** Never change the direction of rotation while the motor is running.

Selecting the drilling mode

- ◆ For drilling in masonry, set the drilling mode selector (4) to the **T** position.
- ◆ For drilling in other materials and for screwdriving, set the drilling mode selector to the **2** position.

Setting the drilling depth (fig.B)

- ◆ Slacken the side handle (7) by turning the grip counter clockwise.
- ◆ Set the depth stop(6) to the desired position. The maximum drilling depth is equal to the distance between the tip of the drill bit and the front end of the depth stop.
- ◆ Tighten the side handle by turning the grip clockwise.

Switching on and off

- ◆ To switch the tool on, press the variable speed switch(1). The tool speed depends on how far you press the switch. As a general rule, use low speeds for large diameter drill bits and high speeds for smaller diameter drill bits.
- ◆ For continuous operation, press the lock-on button (2) and release the variable speed switch. This option is available only at full speed in both forward and reverse modes.
- ◆ To switch the tool off, release the variable speed switch. To switch the tool off when in continuous operation, press the variable speed switch again and release it.
- ◆ Based on the different applications, turn around the speed dial(11) to control the maximum speed.

Drilling in metal

Start drilling with slow speed and increase to full power while applying firm pressure on the tool. A smooth even flow of metal chips indicates the proper drilling rate. Use a cutting lubricant when drilling metals. The exceptions are cast iron and brass which should be drilled dry.

NOTE: Large [5/16" (8 mm) to 1/2" (13 mm)] holes in steel can be made easier if a pilot hole [5/32" (4 mm) to 3/16" (5 mm)] is drilled first.

Drilling in wood

Start drilling with slow speed and increase to full power while applying firm pressure on the tool. Holes in wood can be made with the same twist drills used for metal. These bits may over-heat unless pulled out frequently to clear chips from the flutes. Work that is apt to splinter should be backed up with a block of wood.

Drilling in masonry

When drilling in masonry, use carbide-tipped bits rated for Impact drilling and be certain that the bits are sharp. Use a constant and firm force on the tool to drill most effectively. A smooth, even flow of dust indicates the proper drilling rate.

Screwdriving

- ◆ Select forward or reverse rotation.

Impact drilling (fig. A)

- ◆ Select the Impact mode.
- ◆ Press the switch (1).

Rotary drilling (fig. A)

- ◆ Select the rotary drilling mode.
- ◆ Proceed as described for Impact drilling.

MAINTENANCE

Your Stanley power tool has been designed to operate over a long period of time with a minimum of maintenance. Continuous satisfactory operation depends upon proper tool care and regular cleaning.

IMPORTANT

To ensure product SAFETY and RELIABILITY, repairs, maintenance and adjustment (other than those listed in this manual) should be performed by authorized service centers or other qualified organizations, always using identical replacement parts. Unit contains no user serviceable parts inside.



CLEANING



WARNING: Blow dirt and dust out of the main housing with dry air as often as dirt is seen collecting in and around the air vents. Wear approved eye protection and approved dust mask when performing this procedure.



WARNING: Never use solvents or other harsh chemicals for cleaning the non-metallic parts of the tool. These chemicals may weaken the material of the parts. Use only mild soap and damp cloth to clean the tool. Never let any liquid get inside the tool; never immerse any part of the tool into liquid.

OPTIONAL ACCESSORIES

The performance of any power tool is dependent upon the accessory used. Stanley accessories are engineered to high quality standards and are designed to enhance the performance of power tool.



CAUTION: The use of any other accessory not recommended for use with this tool could be hazardous.

PROTECTING THE ENVIRONMENT



Separate collection. This product must not be disposed of with normal household waste.

Should you find one day that your Stanley product needs replacement, or if it is of no further use to you, do not dispose of it with household waste. Make this product available for separate collection.



Separate collection of used products and packaging allows materials to be recycled and used again. Re-use of recycled materials helps prevent environmental pollution and reduces the demand for raw materials.

Local regulations may provide for separate collection of electrical products from the household, at municipal waste sites or by the retailer when you purchase a new product

Service Information

Stanley offers a full network of company-owned and authorized service locations throughout Asia. All Stanley Service Centers are staffed with trained personnel to provide customers with efficient and reliable power tool service. Whether you need technical advice, repair, or genuine factory replacement parts, contact the Stanley location nearest to you.

REMARKS

- ◆ Stanley's policy is one of continuous improvement to our products and as such, we reserve the right to modify product specifications without prior notice.
- ◆ Standard equipment and accessories may vary by country.
- ◆ Product specifications may differ by country.
- ◆ Complete product range may not be available in all countries. Contact your local Stanley dealers for range availability.

SDH600 冲击钻

技术参数

冲击钻	SDH600-A9	
电压	V	220
频率	Hz	50
输入功率	W	550
空载转速	r/min	0-2900
冲击率	IPM	49300
正反转		是
夹头尺寸	mm	1.5-13
最大钻孔能力		
混凝土/金属/木材	mm	13/13/25
重量	kg	1.75

设计用途

Stanley冲击钻设计用于在木材、金属和建筑砖石上钻孔。本工具仅供专业人士使用。

电动工具通用安全警告



警告！ 阅读所有警告和所有说明。不遵照以下警告和说明会导致电击、着火和/或严重伤害。

保存所有警告和说明书以备查阅。

在所有下列的警告中术语“电动工具”指市电驱动（有线）电动工具或电池驱动（无线）电动工具。

1. 工作场地的安全

- 保持工作场地清洁和明亮。混乱和黑暗的场地会引发事故。
- 不要在易爆环境，如有易燃液体、气体或粉尘的环境下操作电动工具。电动工具产生的火花会点燃粉尘或气体。
- 让儿童和旁观者离开后操作电动工具。注意力不集中会使你失去对工具的控制。

2. 电气安全

- 电动工具插头必须与插座相配。绝不能以任何方式改装插头。需接地的电动工具不能使用任何转换插头。未经改装的插头和相配的插座将减少电击危险。
- 避免人体接触接地表面，如管道、散热片和冰箱。如果你身体接地会增加电击危险。

- 不得将电动工具暴露在雨中或潮湿环境中。水进入电动工具将增加电击危险。
- 不得滥用电线。绝不能用电线搬运、拉动电动工具或拔出其插头。使电线远离热源、油、锐边或运动部件。受损或缠绕的软线会增加电击危险。
- 当在户外使用电动工具时，使用适合户外使用的外接软线。适合户外使用的软线将减少电击危险。
- 如果在潮湿环境下操作电动工具是不可避免的，应使用剩余电流动作保护器（RCD）。使用RCD可减小电击危险。

3. 人身安全

- 保持警觉，当操作电动工具时关注所从事的操作并保持清醒。当你感到疲倦、或在有药物、酒精或治疗反应时，不要操作电动工具。在操作电动工具时瞬间的疏忽会导致严重人身伤害。
 - 使用个人防护装置。始终佩戴护目镜。安全装置，诸如适当条件下使用防尘面具、防滑安全鞋、安全帽、听力防护等装置能减少人身伤害。
 - 防止意外启动。确保开关在连接电源和/或电池组、拿起或搬运工具时处于关断位置。手指放在已接通电源的开关上或开关处于接通时插入插头可能会导致危险。
 - 在电动工具接通之前，拿掉所有调节钥匙或扳手。遗留在电动工具旋转零件上的扳手或钥匙会导致人身伤害。
 - 手不要伸展得太长。时刻注意立足点和身体平衡。这样在意外情况下能很好地控制电动工具。
 - 着装适当。不要穿宽松衣服或佩戴饰品。让你的衣服、手套和头发远离运动部件。宽松衣服、配饰或长发可能会卷入运动部件中。
 - 如果提供了与排屑、集尘设备连接用的装置，要确保他们连接完好且使用得当。使用这些装置可减少尘屑引起的危险。
- #### 4. 电动工具使用和注意事项
- 不要滥用电动工具，根据用途使用适当的电动工具。选用适当设计的电动工具会使你工作更有效、更安全。
 - 如果开关不能接通或关断工具电源，则不能使用该电动工具。不能用开关来控制的电动工具是危险的且必须进行修理。
 - 在进行任何调节、更换附件或贮存电动工具之前，必须从电源上拔掉插头和/或使电池组与工具脱开。这种防护性措施将减少工具意外启动的危险。

- d. 将闲置不用的电动工具贮存在儿童所及范围之外，并且不要让不熟悉电动工具或对这些说明不了解的人操作电动工具。电动工具在未经培训的用户手中是危险的。
- e. 保养电动工具。检查运动件是否调整到位或卡住，检查零件破损情况和影响电动工具运行的其他状况。如有损坏，电动工具应在使用前修理好。许多事故由维护不良的电动工具引发。
- f. 保持切削刀具锋利和清洁。保养良好的有锋利切削刃的刀具不易卡住而且容易控制。
- g. 按照使用说明书，考虑作业条件和进行的作业来使用电动工具、附件和工具的刀头等。将电动工具用于那些与其用途不符的操作可能会导致危险。

5. 维修

- a. 将您的电动工具送交专业维修人员，使用同样的备件进行修理。这将确保所维修的电动工具的安全性。

电动工具附加安全警告



警告！ 电钻和冲击钻附加安全

- ◆ 使用冲击电钻时要戴好耳罩。暴露在噪声中会引起听力损伤。
- ◆ 使用随身工具提供的辅助手柄。操作失手会引起人身伤害。
- ◆ 当在钻削附件可能触及暗线或其自身软线之处进行操作时，要通过绝缘握持面来握持工具。钻削附件碰到带电导线会使工具外露的金属零件带电从而使操作者受到电击。
- ◆ 使用夹具或采取其他可行的方法，将工件固定、支撑到稳定的平台上。手持或用身体顶住工件都是不稳定的，会导致操作失控。
- ◆ 在墙上、地板或天花板上钻孔之前，请检查电线和管道位置
- ◆ 不要在钻孔后立刻碰触可能还发热的钻头尖端。
- ◆ 本工具不适合体力、感觉或智力不足，或者缺乏经验及知识的人员（包括儿童）使用，除非负责他们安全的人员已经为他们提供关于使用此设备的监督或指示。应看管好儿童，以确保他们不将此设备当做玩具来玩。
- ◆ 本使用手册描述了工具的设计用途。使用非本使用手册所建议的任何其他附件或配件，或者使用本工具执行非手册建议的任何其他操作，都可能存在人身伤害和/或财产损失的危险。

工具上的标签

工具上显示了下列符号：



警告！ 为降低伤害风险，用户必须阅读使用手册。

日期码位置（图A）

日期码(13)印在工具外壳上，其中还包含制造年份。

例如： 2016 XX JN

制造年份

电气安全



本工具采用双重绝缘，因此无需接地线。请务必检查电源电压是否与铭牌上的电压一致。

- ◆ 如果电源线损坏，必须由制造商或史丹利授权服务中心更换，以避免发生危险。

功能部件

本工具包括以下部分或所有功能部件。

1. 变速开关
 2. 锁定按钮
 3. 正/反转按钮
 4. 钻孔模式选择器
 5. 夹头
- 您的装置可能不附带以下附件。
6. 深度尺
 7. 侧手柄

装配



警告！ 装配之前，请确定已关闭工具电源并拔出工具插头。

安装侧手柄和深度尺（图A和图B）

- ◆ 逆时针转动手柄直到您可以将侧手柄(7)滑动至工具正面为止，如图所示(图A)。
- ◆ 将侧手柄转入所需位置。
- ◆ 将深度尺(6)插入安装孔，如图所示(图B)。
- ◆ 按照以下说明设置钻孔深度。
- ◆ 通过顺时针转动手柄转紧侧手柄。

安装钻头（图C）

- ◆ 通过逆时针转动套管(5)打开夹头。
- ◆ 将钻头轴(9)插入夹头(不附带钻头)。
- ◆ 将夹头锁匙(10)插入夹头的每个插孔(8)然后顺时针转紧。

卸下及装回夹头 (图D)

- ◆ 尽可能快的打开夹头。
- ◆ 用螺丝起子顺时针转动夹头的固定螺钉将夹头取出。
- ◆ 将内六角起子转紧到夹头内，然后用锤子打击，如图所示。
- ◆ 取出内六角起子。逆时针转动夹头将它取出。
- ◆ 要装回夹头，可将它旋入心轴，然后用夹头固定螺钉将它锁紧。

使用



警告！ 请让工具以它自己的速度工作。切勿使它过载。



警告！ 在墙上钻孔之前，请检查电线和钢管位置。

选择旋转方向 (图E)

- ◆ 如果要钻孔，使用向前(顺时针)旋转。如果要取出卡住的钻头，使用向后(逆时针)旋转。
- ◆ 要选择向前旋转，将正反转滑块(3)拨到左边。
- ◆ 要选择向后旋转，将正反转滑块拨到右边。**警告！**在马达运行时切勿更改旋转方向。

选择钻孔模式

- ◆ 在钻石上钻孔时，将钻孔模式选择器(4)设置到 **T** 位置。
- ◆ 在其他材料上钻孔以及执行平钻操作时，将钻孔模式选择器设置到 **A** 位置。

选择钻孔深度 (图B)

- ◆ 通过逆时针转动手柄转松侧手柄(7)。
- ◆ 将深度尺(6)设置到所需位置。最大钻孔深度相等与钻头尖端与深度尺前末端之间的距离。
- ◆ 通过顺时针转动手柄转紧侧手柄。

打开和关闭

- ◆ 要打开工具电源，请按下变速开关(1)。工具转速取决于您按下开关的程度。作为常规，使用大直径钻头时采用低速，使用小直径钻头时则采用高速。
- ◆ 要使工具连续运行，按下锁定按钮(2)然后松开变速开关。此选项只在向前和向后模式中以全速运作时可用。
- ◆ 要关闭工具电源，请放开变速开关。要在持续操作时关闭工具电源，请再次按下变速开关然后放开。

在金属上钻孔

开始钻孔时，采用较低速度，并在对工具施加稳固压力时，请增至全功率。如果金属屑平滑、均匀地流出，则表明钻孔速度适当。在金属上钻孔时请使用切割润滑剂。但铸铁和黄铜例外，应干钻。

注：在钢材上钻大孔 [5/16" (8 mm) 至 1/2" (13 mm)] 时，如果首先钻一个导向孔 [5/32" (4 mm) 至 3/16" (5 mm)]，则会比较容易进行。

在木材上钻孔

开始钻孔时，采用较低速度，对工具施加稳固压力的时请增至全功率。木材钻孔可以使用和钢材钻孔一样的麻花钻头。这些钻头可能会过热，除非你不断拔出钻头来清理钻屑。易碎裂材料应垫上木块。

在砖石上钻孔

在砖石上钻孔时，请使用适用于冲击钻孔专用的碳化钻头，并确保钻头保持尖锐。对工具施加恒定、稳固的力度可使钻孔操作获得最有效的结果。如果钻屑平滑、均匀地流出，则表明钻孔速度适当。

拧螺丝

- ◆ 选择正反转。

冲击钻孔 (图 A)

- ◆ 选择“冲击钻”模式。
- ◆ 按下开关 (1)。

电钻钻孔 (图 A)

- ◆ 选择“电钻”模式。
- ◆ 如冲击钻中所描述的方式一般进行钻孔。

维护

您的史丹利电动工具设计精良，可以长期使用，仅需极少维护。要连续获得令人满意的工作效果，需要您做合适的保养和定期的清洁。



警告！ 维护工具前，必须取下电池；清洁充电器前，请拔下插头。

- ◆ 定期使用软刷或干布清洁工具的通风槽。
- ◆ 定期使用湿布清洁马达外壳，但不得使用任何研磨性或溶剂型清洁剂。
- ◆ 定期打开并轻拍夹头，清楚内部灰尘。

本工具不可由用户进行维修。请将工具交给授权的史丹利修理机构。

除了定期清洁外，充电器不须其它维护。

重要说明

为确保产品的安全性和可靠性，应由授权的维修中

心或其他合格组织修理，维护和调整(非本手册所列项目)机器，并始终使用相同的备件。装置内不含有用户可维修部件。

清洁



警告！一旦通风口及其周围积聚可见的粉尘，请即用干燥的压缩空气吹走主机外壳内的粉尘和灰尘。进行这一步骤时，请佩戴经认可的护目装备和认可的面罩。



警告！切勿使用溶剂或其它刺激性化学品来清洁工具的非金属部件。这些化学品可能削弱零件中使用的材料。只能使用抹布蘸中型肥皂水进行清洁。勿使任何液体进入工具；勿使工具的任何部分浸入液体中。

配件

任何电动工具的性能均取决于采用的配件。史丹利配件符合高品质标准，其设计旨在增强电动工具的性能。

注意：配件的额定使用速度必须等于或高于安装配件的工具的铭牌所标转速。



注意！使用任何建议不与此工具一起使用的配件，将存在隐患。

保护环境



分类回收。本产品不得与普通家庭垃圾一起处理。

如果您发现您的史丹利产品需要更换或您已经不再需要使用这些产品，请不要将它们与家庭垃圾一起处理。请将它们单独分类回收。



分类回收使用过的产品和包装能够让材料得以再循环和再利用。再生材料的再利用有助于防止环境污染，并降低对原材料的需求。

当地法规可能要求由市政废物处理点或向您出售新产品的零售商提供从家庭中分类回收电气产品的服务。

维修信息

史丹利完善的自有和授权服务网络遍布全亚洲。所有史丹利服务中心的员工都经过专门培训，可以为客户提供高效、可靠的电动工具服务。无论您需要技术咨询、维修或是正宗的原装配件，请联系离您最近的史丹利服务站。

备注

- ◆ 史丹利的政策是持续改善我们的产品，因此，我们保留随时变更产品规格的权利，恕不另行通知。
- ◆ 标准设备和配件可能会根据不同的国家而有所不同。
- ◆ 产品规格可能会根据不同的国家而有所不同。
- ◆ 并非所有的国家都有提供完整的产品系列。如需各产品系列的供应情况，请联络您当地的史丹利代理商。

制造商: 史丹利五金工具(上海)有限公司

制造商地址: 上海市外高桥保税区泰谷路88号

丰谷大楼六层676A室

产地: 江苏启东

SDH600 13mm 電錘鑽

震動電鑽

規格		SDH600			
		-B1	-XD	-TW	-A9
電壓	V	220-240	220-240	110	220
頻率	Hz	50/60	50/60	60	50
功率		W		550	
空載速度		/min		0-2900	
衝擊率		IPM		49300	
反向/正向旋轉				有	
夾頭尺寸		mm		1.5-13	
最大鑽孔直徑					
混凝土/金屬/木材		mm		13/13/25	
重量		kg		1.75	

設計用途

您的 Stanley 電錘鑽設計用於在木材、金屬和磚石上鑽孔。

安全指示

電動工具一般安全警告



警告！ 請閱讀所有安全警告及指示。不遵循這些警告和說明可能會導致觸電、火災及/或嚴重傷害。

請妥善保存所有警告及說明以備將來查閱。

警告中的名詞「電動工具」是指電源驅動（插電）電動工具，或者電池驅動（充電）電動工具。

1. 工作場地安全

- 保持工作場地清潔明亮。混亂或黑暗的場地會引發事故。
- 請勿在易爆環境，如有易燃液體、氣體或粉塵的環境中操作電動工具。電動工具產生的火花會點燃粉塵或氣體。
- 請等待兒童和旁觀者離開之後才操縱電動工具。分心會導致您疏忽於控制。

2. 電氣安全

- 電動工具插頭必須與插座相符。切勿以任何方式改裝插頭。需接地的電動工具不能使用任何配接器插頭。未經改裝的插頭與相符的插座可降低觸電風險。

- 避免人體接觸接地表面，如管道、散熱片、爐灶和冰箱。若您的身體接地，可增加觸電危險。
- 請勿將電動工具暴露在雨中或潮濕環境中。水進入電動工具會增加觸電危險。
- 請勿濫用電線。請勿使用電線來搬運、拉動電動工具或拔出插頭。讓電線遠離熱、油、銳邊和活動部件。受損或纏繞的電線會增加觸電危險。
- 若要在戶外使用電動工具，請使用適合戶外使用的延長電纜。使用適合戶外使用的電纜可減少觸電危險。
- 若必須在潮濕場合使用電動工具，請使用漏電保護器（RCD）。使用 RCD 可降低觸電危險。

3. 人身安全

- 保持警覺；在操作電動工具時，請留意所執行的操作並按照一般的常識執行。請勿在疲倦，或受到藥物、酒精或治療的影響下操作電動工具。操作電動工具期間注意力分散會導致嚴重人身傷害。
 - 使用個人防護裝置。始終佩戴護目裝備。防護裝置，例如在適當條件下可使用的防塵面具、防滑安全鞋、安全帽或聽力保護等裝置可減少人身傷害。
 - 避免意外啟動。連接電源及/或電池組、撿取或搬運電動工具之前，請確定開關處於關閉位置。搬運電動工具時若將手指放在開關上，或是在接通開關電源時插入插頭都會引發危險。
 - 接通電動工具之前，請卸下所有的調整鑰匙或扳手。遺留在電動工具旋轉部件上的扳手或鑰匙會導致人身傷害。
 - 請勿過度伸張雙手。時刻注意腳下和身體的平衡。如此即可在發生意外的情況下更好地控制電動工具。
 - 適當穿著。請勿穿寬鬆衣服或佩戴飾品。讓您的頭髮、衣服和手套遠離活動部件。寬鬆衣服、佩飾和長髮可能會捲入活動部件。
 - 若配備用於連接排屑裝置、集塵設備的裝置，請確定正確連接和使用這些裝置。使用集塵設備可減少與粉塵有關的危險。
- #### 4. 電動工具的使用與注意事項
- 請勿超負荷使用電動工具。根據您的用途使用適當的電動工具。使用適當的電動工具在其設計可負荷的應用內，會讓您更有效、更安全地執行工作。
 - 若開關不能開啟或關閉電源，切勿使用該電動工具。不能用開關來控制的電動工具將存在危險，必須進行維修。
 - 在執行任何調整、更換配件或儲存工具之前，必須從電源上拔掉插頭及/或卸下電池組。這類防護性措施可降低電動工具意外啟動的風險。

- d. 請將閒置的電動工具儲存在兒童無法接觸的地方，並且勿讓不熟悉電動工具或對這些說明不瞭解的人員操作電動工具。電動工具在未經培訓的使用者手中會發生危險。
- e. 維護電動工具。檢查活動部件是否對準或卡住、是否存在任何破損情況，或任何能影響電動工具運行的其他情況。若有損毀，必須在使用之前修理電動工具。許多事故都是由於電動工具欠缺維護所導致。
- f. 保持切削工具鋒利和清潔。妥善維護、切削鋒利的切割工具不會輕易卡住並可更輕鬆控制。
- g. 遵循使用指示、特定類型電動工具的專用方式，以及工作條件和所要執行的工作來使用電動工具、配件和工具鑽頭等。不按照設計目使用電動工具將會導致危險。

5. 檢修

- a. 本電動工具必須由合格的維修人員並只採用相同的原廠零件來執行檢修。這將確保電動工具的安全性。

電動工具之附加安全警告



警告！ 電鑽與震動電鑽之附加安全警告

- ◆ 請在使用震動電鑽時佩戴聽力保護器。噪音會使聽力受損。
- ◆ 請使用工具隨附的輔助手柄。工具失控會導致人身傷害。
- ◆ 若在執行操作時切削配件可能會接觸隱藏的電線或它本身的電線，則從絕緣手柄表面握住電動工具。切削配件接觸到「帶電」導線，電動工具金屬部件表面就會「帶電」，從而導致操作人員觸電。
- ◆ 使用夾具或採取其他可行的方法，將工件固定、支撐到穩定的平台上。手持工件或用身體抵住工件會使工件不穩定並可能導致失控。
- ◆ 在牆上、地板和天花板上鑽孔前，請檢查電線和鋼管位置。
- ◆ 不要在鑽孔後立刻碰觸可能還帶熱的鑽頭尖端。
- ◆ 體力、感覺或智力不足，或者缺乏經驗及知識的人員（包括小孩）不適合使用本工具，除非負責他們安全的人員已經為他們提供關於使用此器具的監督或指示。必須監督小孩，確保他們沒有耍弄器具。
- ◆ 本說明書對器具的設計用途進行了描述。使用非本使用手冊所建議的任何其他配件或附件，或使用本工具執行非本使用手冊中所建議的任何其他操作，可能會有有人身傷害及/或財產損失的風險。

工具上的標籤

您的工具上可能包含下列符號：



警告！ 為了降低受傷的風險，使用者必須仔細閱讀使用手冊。

日期代碼的位置

日期代碼亦包括製造年份，已印刷在工具外殼上。

範例：

2016 XX JN

製造年份

電氣安全



本工具採用雙重絕緣，因此無需接地線。請務必檢查電源電壓是否與銘牌上的電壓一致。

功能部件

本工具包括以下部分或全部功能部件。

1. 變速開關
2. 鎖定按鈕
3. 正/反轉按鈕
4. 鑽孔模式選擇器
5. 夾頭
6. 限深器
7. 側手柄

組裝



警告！ 裝配之前，請確定已關閉工具電源並拔出插頭。

安裝側手柄和限深器（圖 A、B）

- ◆ 逆時針轉動手柄直到您可將側手柄（7）滑動至工具正面為止（圖 A）。
- ◆ 將側手柄旋轉至所需位置。
- ◆ 將限深器（6）插入安裝孔（圖 B）。
- ◆ 按照以下所述安裝鑽孔深度。
- ◆ 順時針轉動手柄，將側手柄轉緊。

安裝鑽頭（圖 C）

- ◆ 透過順時針轉動套管（5）以打開夾頭。
- ◆ 將鑽頭軸（9）插入夾頭（不隨附鑽頭）。
- ◆ 將夾頭扳手（10）插入夾頭側邊的孔（8）中，然後順時針轉緊。

卸下及裝回夾頭（圖 D）

- ◆ 盡可能用最快速度打開夾頭。
- ◆ 使用螺絲起子以順時針方向移除夾頭內的固定螺釘。
- ◆ 將內六角起子轉緊到夾頭內，然後用榔頭輕敲，如圖所示。
- ◆ 取出內六角起子。逆時針轉動夾頭將它卸下。
- ◆ 若要裝回夾頭，可將它旋入心軸，然後用夾頭固定螺釘將它鎖緊。

使用



警告！ 請勿使工具超出本身之設計速度操作。請勿使它過載。

警告！ 在牆上、地板和天花板上鑽孔之前，請檢查電線和鋼管位置。

選擇旋轉方向 (圖 E)

若要鑽孔和轉緊螺釘，請使用向前（順時針）旋轉。
若要轉鬆螺釘或取出卡住的鑽頭，請使用向後（逆時針）旋轉。

- ◆ 若要選擇向前旋轉，請將正/反轉開關 (3) 撥到左邊。
- ◆ 若要選擇向後旋轉，請將正/反轉按鈕 (3) 撥到右邊。**警告！** 當電動機運行時，請勿變更旋轉方向。

選擇鑽孔模式

- ◆ 若要在磚石上鑽孔，將鑽孔模式選擇器 (4) 設定至 **T** 位置。
- ◆ 若要在其他材料上鑽孔和執行螺旋操作，將鑽孔模式選擇器設定至 **1** 位置。

設定鑽孔深度 (圖 B)

- ◆ 逆時針轉動手柄，將側手柄 (7) 旋松。
- ◆ 將限深器 (6) 設定到所需位置。最大鑽孔深度相等於鑽頭尖端和限深器前端之間的距離。
- ◆ 順時針轉動手柄，將側手柄轉緊。

開啟與關閉

- ◆ 若要打開工具電源，請按下變速開關 (1)。工具轉速取決於您按下開關的程度。一般原則是，使用大直徑鑽頭時會採用低速，使用小直徑鑽頭時則會採用高速。
- ◆ 若要執行持續操作，請按下鎖定按鈕 (2) 並釋放變速開關。此選項只在向前和向後模式中以全速運行時有效。
- ◆ 若要關閉工具電源，請放開變速開關。若要在持續操作時關閉工具電源，請再次按下變速開關然後放開。
- ◆ 根據不同應用的需要，轉動轉速刻度盤 (11)

以控制工具的最大轉速。

在金屬上鑽孔

開始鑽孔時，採用較低速度，並在對工具施加穩固壓力的同時逐漸增加至全功率。如果金屬屑平滑、均勻地流出，則表明鑽孔速度適當。在金屬上鑽孔時使用切割潤滑劑。鑄鐵和黃銅是例外，它們應保持乾燥而直接鑽孔。

注： 如果先鑽一個導向孔 [5/32" (4 mm) 至 3/16" (5 mm)]，則在鋼材上鑽大孔時 [5/16" (8 mm) 至 1/2" (13 mm)] 會更容易。

在木材上鑽孔

開始鑽孔時，採用較低速度，並在對工具施加穩固壓力的同時逐漸增加至全功率。木材鑽孔可以使用和鋼材鑽孔一樣的麻花鑽頭。如果不經常拔出鑽頭來清理鑽屑，這些鑽頭可能會過熱。易碎裂材料應墊上木塊。

在磚石上鑽孔

在磚石上鑽孔時，請使用適用於衝擊鑽孔操作的硬合金鑽頭，並確保鑽頭保持鋒利。對工具施加恆定穩固的力度有助於獲得最有效的鑽孔效果。如果鑽屑平滑、均勻地流出，則表明鑽孔速度適當。

螺旋操作

- ◆ 選擇正向或反向旋轉。

衝擊鑽孔 (圖 A)

- ◆ 選擇衝擊模式。
- ◆ 按下開關 (1)。

旋轉鑽孔 (圖 A)

- ◆ 選擇旋轉鑽孔模式。
- ◆ 按衝擊鑽孔部分所述進行操作。

維護

Stanley 電動工具採用卓越的設計，能夠長時間使用，並且只需最少的維護。若要持續獲得滿意的操作效果，需進行正確的工具維護與定期的清潔。

重要

為了確保產品安全及可靠，所有的維修、維護和調整（除了本手冊中列出的之外），都應該由授權的檢修中心或合格機構執行，並始終使用相同的替換部件。本裝置內不含使用者可檢修的部件。



清潔



警告：一旦通風口及其周圍積聚可見的粉塵，請立即使用乾燥的壓縮空氣吹掉主機外殼內的粉塵和灰塵。執行此步驟時，請佩戴經認可的護目鏡和經認可的防塵面具。



警告：切勿使用溶劑或其他刺激性化學品來清潔工具的非金屬部件。這些化學品可能會削弱零件的材料。請僅使用中性肥皂和濕布清洗工具。請勿讓任何液體進入工具；亦勿讓工具的任何部分浸入液體中。

選購配件

任何電動工具的效能都取決於所使用的配件。Stanley 配件依據高品質標準進行規劃，並設計用於增強電動工具的效能。



小心：使用任何不建議與本工具配合使用的其他配件會導致危險。

保護環境



分類回收。本產品必須與一般家庭廢物分開處置。

若您發現您的 Stanley 產品需要進行更換，或您已經不再需要使用這些產品，請勿將其與家庭廢物一併處置。務必將本產品送往分類收集處。



分類收集用過的產品和包裝允許材料循環再生利用。重新使用回收的材料有助於防止環境污染，並降低對原材料的需

求。當地法規可能要求由市政廢物回收點，或由向您出售新產品的經銷商來提供將電子產品與家庭廢物分類收集的服務。

服務資訊

Stanley 提供覆蓋整個亞洲的公司隸屬和授權檢修地點。所有的 Stanley 服務中心都具有訓練有素的人員，為客戶提供高效和可靠的電動工具服務。不論您是需要技術建議、維修或原廠替換部件，請聯絡離您最近的 Stanley 站點。

附註

- ◆ Stanley 的政策是持續改善我們的產品，因此，我們保留隨時修改產品規格的權利，恕不另行通知。
- ◆ 標準設備及配件可能視國家/地區而有所不同。
- ◆ 產品規格可能會視國家/地區而有所不同。
- ◆ 並非在所有的國家/地區都將提供完整的產品系列。如需瞭解產品系列的可用性，請聯絡您當地的 Stanley 代理商。

進口商：新加坡商百得電動工具(股)台灣分公司

地址：台北市北投區裕民六路120號4F

電話：02-28201065

服務電話：02-29994633

總經銷商：永安實業股份有限公司

地址：新北市三重區新北大道二段137號

電話：02-29994633

SDH600 13mm 햄머 드릴 작업

기술 데이터

사양	SDH600				
	-B1	-XD	-TW	-A9	
전력	V	220-240	220-240	110	220
주파수	Hz	50/60	50/60	60	50
전력		W			550
무부하 속도		/분			0-2900
분당타격수		IPM			49300
후진/전진 회전					예
척 용량		mm			1.5-13
최대 드릴 용량					
콘크리트/금속/목재	mm				13/13/25
무게	kg				1.75

용도

스탠리 햄머 드릴은 나무, 금속 및 석재용으로 설계되었습니다.

안전 지침

전동 공구에 관한 일반 안전 경고



경고! 모든 안전 경고와 지시사항을 모두 읽으십시오. 경고와 지시 사항을 준수하지 않으면 감전, 화재 및/또는 심각한 부상을 초래할 수 있습니다.

향후 참고할 수 있도록 모든 경고 및 지시 사항을 보관해두십시오.

경고에서 사용된 "전동 공구"라는 용어는 주 공급 전원에 의해 전기가 공급되는(유선) 전동 공구 또는 충전식(무선) 전동 공구를 의미합니다.

1. 작업장 안전

- 작업 영역을 정렬하고 밝게 유지하십시오.**
혼잡하거나 어두운 작업장에서는 사고가 발생하기 쉽습니다.
- 가연성 액체, 가스 또는 먼지 등 폭발 가능성이 있는 환경에서 전동 공구를 사용하지 마십시오.**
전동 공구에서 먼지나 가스를 발화시킬 수 있는 불꽃이 될 수 있습니다.

- 전동 공구로 작업하는 동안에는 어린이와 주변 사람들이 작업 영역에 가까이 들어오지 못하도록 하십시오.** 주변이 산만해져 통제력을 잃을 수 있습니다.

2. 전기 안전

- 전동 공구의 플러그는 콘센트와 형식이 일치해야 합니다.** 플러그를 어떤 방식으로든 절대 개조하지 마십시오. 접지핀(지면 접지) 전동 공구에 어떤 어댑터 플러그도 사용하지 마십시오. 개조되지 않은 플러그 및 형식이 일치하는 콘센트를 사용하면 감전 위험이 줄어듭니다.
- 파이프, 라디에이터, 렌즈 및 냉장고 등과 같이 접지된 표면에 몸이 닿지 않도록 하십시오.** 신체가 접지되어 있으면, 감전 위험이 높아집니다.
- 전동 공구를 비 또는 습한 환경에 노출하지 않도록 주의하십시오.** 전동 공구에 물이 들어가면 감전 위험이 높아집니다.
- 코드를 함부로 다루지 마십시오.** 코드를 사용하여 전동 공구를 운반하거나 잡아당기거나 플러그를 뽑지 마십시오. 열, 오일, 날카로운 모서리 또는 움직이는 부품에서 멀리 떨어진 장소에 코드를 보관하십시오. 코드가 손상되거나 얽혀 있으면 감전 위험이 높아집니다.
- 전동 공구를 실외에서 사용할 때는 실외 사용에 적합한 연장 코드를 사용하십시오.** 실외 사용에 적합한 코드를 사용하면 감전 위험이 줄어듭니다.
- 어쩔 수 없이 습한 장소에서 전동 공구를 사용해야 하는 경우에는 누전 차단기(RCD)로 보호된 전원 공급 장치를 사용하십시오.** RCD를 사용하면 감전 위험이 줄어듭니다.

3. 신체 안전 사항

- 전동 공구로 작업할 때는 방심하지 말고 작업에 주의하면서 상식에 따르십시오.** 피곤한 상태이거나 약물, 술, 치료제를 복용한 상태에서는 전동 공구를 사용하지 마십시오. 전동 공구를 사용하다 잠깐만 한 눈을 팔아도 심각한 부상을 당할 수 있습니다.
- 신체 보호 장비를 착용하십시오.** 항상 보안경을 착용하십시오. 적절한 상황에서 방진 마스크, 미끄럼 방지 안전화, 안전모 또는 청력 보호 기구 등의 보호 장비를 사용하면 신체 부상 위험이 줄어듭니다.
- 갑작스러운 장비 가동을 방지하십시오.** 전원 및/또는 배터리 팩에 연결한 상태로 공구를 선택 또는 운반할 때는 사전에 스위치가 꺼진 위치에 있는지 반드시 확인하십시오. 스위치가 켜짐

위치에 있는 상태에서 스위치가 손가락이 닿은 상태로 전동 공구를 운반하거나 전동 공구에 전원을 공급하면 사고가 발생합니다.

- d. 전동 공구를 켜기 전에 모든 조정 키 또는 렌치를 제거하십시오. 전동 공구의 회전 부품에 렌치나 키가 부착되어 있으면 부상을 당할 수 있습니다.
- e. 무리하게 팔을 뻗지 마십시오. 항상 올바른 자세로 서서 균형을 유지하십시오. 그러면 예기치 않은 상황에서 전동 공구 제어 능력이 향상됩니다.
- f. 적절한 의복을 착용하십시오. 헐렁한 옷이나 장신구를 착용하지 마십시오. 머리카락, 옷 및 장갑이 움직이는 부품에 닿지 않도록 유의하십시오. 헐렁한 옷, 장신구 또는 긴 머리가 움직이는 부품에 걸 수 있습니다.
- g. 먼지 배출 및 집진 시설 연결을 위한 장치가 제공된 경우, 이들 장치가 연결되어 적절히 사용되고 있는지 반드시 확인하십시오. 집진 장치를 사용하면 먼지와 관련된 위험을 줄일 수 있습니다.

4. 전동 공구 사용 및 관리

- a. 전동 공구에 무리한 힘을 가하지 마십시오. 해당 용도에 맞는 올바른 전동 공구를 사용하십시오. 올바른 전동 공구를 사용하여 설계된 속도로 작업을 더욱 안전하고 정확하게 수행할 수 있습니다.
- b. 스위치 켜짐/꺼짐이 되지 않는 전동 공구는 사용하지 마십시오. 스위치로 제어되지 않는 전동 공구는 위험하며 수리해야 합니다.
- c. 전동 공구를 조정하거나 액세서리를 변경하거나 보관하기 전에 전원 및/또는 배터리 팩에서 플러그를 빼십시오. 이러한 예방적 안전 조치를 따라야 전동 공구가 갑자기 작동할 위험이 줄어듭니다.
- d. 사용하지 않는 전동 공구는 어린이의 손이 닿지 않는 곳에 보관하고, 전동 공구나 본 지시 사항에 익숙하지 않은 사람이 전동 공구를 절대 사용하지 못하게 하십시오. 전동 공구는 훈련을 받지 않은 사용자가 다루면 위험합니다.
- e. 전동 공구 유지 보수. 움직이는 부품의 잘못된 정렬이나 바인딩, 부품 파손 및 기타 전동 공구의 작동에 영향을 미칠 수 있는 상태가 있는지 확인하십시오. 손상된 부분이 있는 경우 사용하기 전에 전동 공구를 수리하십시오. 많은 사고는 전동 공구를 제대로 유지 보수하지 않아 발생합니다.
- f. 절단 공구를 예리하고 깨끗한 상태로 유지하십시오. 칩 부분을 깨끗하게 유지하면 작업 시 방해가 적고 다루기도 용이합니다.

- g. 작업 환경과 수행할 작업을 고려하여, 본 지시 사항에 따라 전동 공구, 액세서리 및 톨 비트 등을 사용하십시오. 본 사용 설명서의 내용과 다른 용도로 전동 공구를 사용하면 위험한 상황이 발생할 수 있습니다.

5. 정비

- a. 자격을 갖춘 기술자가 동일 교체 부품을 사용하여 정비 작업을 수행해야 합니다. 그래야 전동 공구의 안전이 보장됩니다.

전동 공구에 관한 추가 안전 경고



경고 드릴 및 임팩트 드릴에 대한 추가 안전 경고

- ◆ 임팩트 드릴 작업 시에는 귀 보호 장구를 착용하십시오. 소음에 노출되면 청력이 손상될 수 있습니다.
- ◆ 보조 핸들(공구와 함께 제공된 경우)을 사용하십시오. 제어력을 잃으면 신체 부상을 당할 수 있습니다.
- ◆ 절삭 액세서리가 숨겨진 배선 또는 자체 코드에 접촉할 수 있는 작업을 수행할 때는 절연된 손잡이 표면만 닿도록 하여 전동 공구를 잡으십시오. "전류가 흐르는" 전선에 접촉된 절삭 액세서리는 전동 공구의 노출된 금속 부품을 "전류가 흐르는" 상태로 만들어 작업자를 감전시킬 수 있습니다.
- ◆ 클램프 또는 다른 적절한 것을 사용하여 작업물을 작업대에 고정 및 지지하십시오. 작업물을 손으로 잡거나 몸으로 지탱하는 행동은 불안정하여 제어력을 잃을 수 있습니다.
- ◆ 벽, 바닥 또는 천장에 드릴 작업을 하기 전에 배선 및 파이프의 위치를 확인하십시오.
- ◆ 드릴 작업을 한 후에는 드릴 끝이 뜨거울 수 있으므로 만지지 마십시오.
- ◆ 이 공구는 신체, 지각 또는 정신 능력이 낮거나 경험 및 지식이 부족한 사람(어린이 포함)이 사용할도록 설계되지 않았습니다. 이러한 사람이 사용할 때는 안전 책임자의 감독 또는 제품 사용과 관련된 지시 사항이 필요합니다. 어린이가 본 제품을 가지고 놀지 못하도록 항상 주시해야 합니다.
- ◆ 본 사용 설명서에 제품의 용도가 설명되어 있습니다. 본 사용 설명서에서 권장하는 방식 이외의 다른 방식으로 본 공구를 조작하거나 액세서리 또는 부착물을 사용하는 경우 신체 부상의 위험이 있거나 재산상의 손해가 발생할 수 있습니다.

공구 라벨

공구에 장착된 라벨에 다음 기호가 사용됩니다.



경고! 부상 위험을 줄이려면 사용자는 사용 설명서를 주의 깊게 읽어야 합니다.

데이터 코드 위치

날짜 코드에는 제조년도도 포함되며 케이스에 인쇄되어 있습니다.

예:

2016 XX JN
제조년도

전기 안전



이 공구는 이중으로 절연되어 있으므로 접지선이 필요 없습니다. 전원이 전동기 라벨에 기재된 전압과 일치하는지 항상 확인하십시오.

기능

본 공구에는 다음 기능들 중 일부 또는 모두가 포함되어 있습니다.

1. 가변 속도 스위치
2. 잠금 버튼
3. 전진/후진 버튼
4. 드릴 모드 선택기
5. 척
6. 깊이 제한
7. 사이드 핸들

조립



경고! 조립하기 전에 공구 스위치가 꺼져 있고 플러그를 뽑았는지 반드시 확인하십시오.

사이드 핸들 및 깊이 제한 장착(그림 A, B)

- ◆ 그림과 같이 공구 앞으로 사이드 핸들(7)이 미끄러질 수 있을 때까지 그림 카운터를 시계 방향으로 돌립니다.
- ◆ 원하는 위치로 사이드 핸들을 돌립니다.
- ◆ 그림과 같이 데스 스톱(6)을 장착 구멍에 끼웁니다(그림 B).
- ◆ 아래의 설명에 따라 드릴 깊이를 설정합니다.
- ◆ 그림을 시계 방향으로 돌려서 사이드 핸들을 조입니다.

드릴 비트 장착(그림 C)

- ◆ 슬리브(5)를 시계 반대 방향으로 돌려 척을 여십시오.
- ◆ 비트 상크(9)를 척에 삽입합니다(드릴 비트는 미포함되어 있음).
- ◆ 척의 옆면에 있는 각 구멍(8)마다 척 키(10)를 끼우고 팍 조여질 때까지 시계 방향으로 돌리십시오.

척 분리 및 다시 장착(그림 D)

- ◆ 척을 최대한 엽니다.
- ◆ 드라이버로 척에 있는 척 고정 나사를 시계 방향으로 돌려서 분리합니다.
- ◆ 육각 렌치를 척에 조이고 그림과 같이 망치로 칩니다.
- ◆ 앨런 키를 분리합니다. 척을 시계 반대 방향으로 돌려서 분리합니다.
- ◆ 척을 다시 장착하려면 스펀들에 나사를 조이고 척 고정 나사로 고정합니다.

사용법



경고! 공구를 정상 속도로 가동하십시오. 과부하가 발생하면 안 됩니다



경고! 벽, 바닥 또는 천장에 드릴 작업을 하기 전에 배선 및 파이프의 위치를 확인하십시오.

회전 방향 선택(그림 E)

드릴 작업을 하고 나사를 조이려면 전진(시계 방향) 회전을 사용하십시오. 나사를 풀거나 팍 끼인 드릴 비트를 분리하려면 후진(시계 반대 방향) 회전을 사용하십시오.

- ◆ 전진 회전을 선택하려면 전진/후진 버튼(3)을 왼쪽으로 누릅니다.
- ◆ 후진 회전을 선택하려면 전진/후진 버튼(3)을 오른쪽으로 누릅니다. 경고! 모터 작동 중에는 절대 회전 방향을 변경하지 마십시오.

드릴 모드 선택

- ◆ 석재 드릴 작업 시에는, 드릴 모드 선택기(4)를 T 위치로 설정합니다.
- ◆ 기타 재료 드릴 및 나사 조임 작업 시에는, 드릴 모드 선택기를 1 위치로 설정합니다.

드릴 깊이 설정(그림 B)

- ◆ 그림을 시계 반대 방향으로 돌려서 사이드 핸들(7)을 쫓습니다.
- ◆ 댄스 스톱(6)을 원하는 위치로 설정합니다. 최대 드릴 깊이는 드릴 비트 끝과 깊이 조절 자 간 거리와 같습니다.
- ◆ 그림을 시계 방향으로 돌려서 사이드 핸들을 조입니다.

전원 켜기/끄기

- ◆ 공구 스위치를 켜려면 가변 속도 스위치(1)를 누릅니다. 공구 속도는 스위치를 누르는 속도에 따라 다릅니다. 일반적으로, 직경이 큰 드릴 비트에는 저속을 사용하고 직경이 작은 드릴 비트에는 고속을 사용합니다.
- ◆ 연속 작동시키려면 락온 버튼(2)을 누른 상태에서 변속 스위치에서 손을 떼십시오. 이 옵션은 전진 및 후진 모드 모두에서 최대 속도에서만 사용할 수 있습니다.
- ◆ 공구 스위치를 끄려면 가변 속도 스위치를 놓습니다. 연속 작업 중에 공구를 끄려면 변속 스위치를 다시 눌렀다 떼십시오.
- ◆ 다양한 용도에 맞게 속도 다이얼(11)을 돌려서 최대 속도를 제어합니다.

금속 드릴 작업

낮은 속도로 드릴 작업을 시작하고 공구를 힘껏 잡은 상태에서 트리거를 끝까지 당깁니다. 금속 조각이 균일하고 부드럽게 빠져나오면 드릴 속도가 적당한다는 것을 나타냅니다. 금속 드릴 작업 시에는 절삭 윤활유를 사용하십시오. 건조 상태로 드릴 작업을 해야 하는 주철과 황동의 경우는 예외입니다.

참고: 먼저 예비 구멍[5/32" (4 mm) ~ 3/16" (5 mm)]을 뚫어놓으면 큰 스틸 구멍[5/16" (8 mm) ~ 1/2" (13 mm)]을 뚫기가 쉬워집니다.

나무 드릴 작업

낮은 속도로 드릴 작업을 시작하고 공구를 힘껏 잡은 상태에서 트리거를 끝까지 당깁니다. 금속용 트위스트 드릴로 나무도 뚫을 수 있습니다. 비트를 자주 빼내어 나선형 홈에서 칩을 비우지 않으면 비트가 과열될 수 있습니다. 쪼개지기 쉬운 작업물은 나무 블록으로 지지해야 합니다.

석재 드릴 작업

석재 드릴 작업 시에는, 진동 드릴용의 정격 카바이트 팁 톨니 비트를 사용하고 비트가 날카로운지 확인하십시오. 가장 효과적으로 드릴 작업을 하려면 공구에 균일하고 흔들리지 않는 힘을 가하십시오. 먼지가 균일하고 부드럽게 빠져나오면 드릴 속도가 적당한 것입니다.

나사 조이기

- ◆ 전진 또는 후진 회전을 선택합니다.

임팩트 드릴(그림 A)

- ◆ 임팩트 모드를 선택합니다.
- ◆ 스위치(1)를 누릅니다.

회전 드릴 작업(그림 A)

- ◆ 전 드릴 모드를 선택합니다.
- ◆ 위의 설명에 따라 햄머드릴을 진행합니다.

유지 보수

Stanley 진동 공구는 최소한의 유지 보수로 장기간에 걸쳐 작업이 가능하도록 설계되어 있습니다. 만족스러운 연속 작동은 적절한 공구 관리와 정기적인 청소에 따라 그 성능이 달라질 수 있습니다.

중요

제품 안전과 신뢰성을 보장하기 위해 수리, 유지 보수 및 조정 작업(본 사용 설명서에서 다루지 않은 작업)은 공인 서비스 센터 또는 자격을 갖춘 다른 수리점에서 항상 동일한 교체 부품을 사용하여 수행해야 합니다. 본 기기 내부에는 사용자가 수리할 수 있는 부품이 없습니다.



옵션



경고: 통풍구 속이나 주변에 먼지가 쌓여있는 것이 보이면 가능한 한 자주 건조한 공기를 이용하여 몸체에서 먼지를 불어내십시오. 이 절차를 수행할 때에는 승인된 눈 보호 장구 및 승인된 방진 마스크를 착용하십시오.



경고: 공구의 금속 이외 부품을 청소할 때는 용제 등의 강력한 화학약품을 절대 사용하지 마십시오. 이러한 화학제품이 부품의 재질을 약화시킬 수 있습니다. 공구를 청소할 때는 중성 세척제와 젖은 헝겊만 사용하십시오. 공구 내부에 액체를 넣거나 공구 부품을 액체에 담그는 행동은 절대 금물입니다.

액세서리 청소

전동 공구의 성능은 사용한 액세서리에 따라 결정됩니다. Stanley 액세서리는 높은 품질 기준을 만족하도록 제조되었으며, 전동 공구의 성능을 향상시키도록 설계되었습니다.



주의: 본 공구와 함께 사용하도록 권장되지 않은 다른 액세서리를 사용할 경우 위험할 수 있습니다.

환경 보호



분리 수거. 본 제품을 일반 가정용 쓰레기로 처리하면 안됩니다.

스탠리 제품을 교체해야 하거나 더 이상 쓸모가 없어졌다고 판단될 때는 본 제품을 가정용 쓰레기와 함께 처리하지 마십시오. 이 제품은 분리 수거하십시오.



사용하던 제품과 포장을 분리 수거하면 자원을 재활용 및 재사용할 수 있습니다. 재활용 자원을 이용하면 환경 오염이 방지되고 고철 자원에 대한 수요를 줄일 수 있습니다.

지역에 따라 가정용 가전제품을 분리 수거하는 규정이 마련되어 있거나 새로운 제품을 구입할 때 판매점에서 폐기 방법을 알려줄 수 있습니다.

서비스 정보

스탠리는 대한민국 전역에 영업소를 자체 운영하거나 공인 서비스 센터를 두고 있습니다. 모든 스탠리 서비스 센터에는 교육을 이수한 전문 인원이 배치되어 있어 고객에게 효과적이고 믿을 수 있는 전동 공구 서비스를 제공하고 있습니다. 기술 지원, 수리 또는 순정 교체 부품이 필요한 모든 경우에 가까운 스탠리 서비스 센터로 연락하십시오.

비고

- ◆ 스탠리의 정책은 제품을 지속적으로 개선시키는 것이기 때문에 사전 통지 없이 제품 사양이 변경될 수 있습니다.
- ◆ 기본 장비 및 액세서리 구성은 국가에 따라 다를 수 있습니다.
- ◆ 제품 사양은 국가에 따라 다를 수 있습니다.
- ◆ 국가에 따라 판매하지 않는 제품도 있을 수 있습니다. 제품 판매 여부는 해당 지역에 있는 스탠리 판매점으로 문의하십시오.

SDH600 Bor Palu 13 mm

Data teknis

SPESIFIKASI	SDH600				
		-B1	-XD	-TW	-A9
Daya	V	220-240	220-240	110	220
Frekuensi	Hz	50/60	50/60	60	50
Daya		W		550	
Kecepatan tanpa beban		/mnt		0-2900	
Taraf tumbukan		IPM		49300	
Rotasi/Maju/Mundur				Ya	
Kapasitasgagang gerak		mm		1,5-13	
KapasitasPengeboran Maksimal					
Beton/Logam/Kayu		mm		13/13/25	
Berat		kg		1,75	

Tujuan penggunaan

Bor Palu Stanley dirancang sebagai bor kayu, logam, dan batu.

Petunjuk Keselamatan

Peringatan Keselamatan Alat Listrik Umum



PERINGATAN! Baca seluruh petunjuk dan peringatan keselamatan.

Kegagalan untuk mengikuti peringatan dan instruksi dapat mengakibatkan sengatan listrik, kebakaran, dan/atau cedera berat.

SIMPAN SELURUH PERINGATAN DAN INSTRUKSI UNTUK RUJUKAN DI MASA DEPAN.10}

Istilah "alat listrik" dalam peringatan merujuk pada alat listrik beroperasi listrik induk (berkabel) atau alat listrik beroperasi baterai (nirkabel).

1. Keselamatan area kerja

- Jaga agar area kerja tetap bersih dan terang.** Area yang berantakan atau gelap berpotensi mengakibatkan kecelakaan.

- Jangan mengoperasikan alat listrik di lingkungan yang mudah menimbulkan bahaya ledakan, seperti di tempat yang terdapat cairan, gas, atau debu yang mudah terbakar.** Alat listrik menimbulkan percikan api yang dapat menyulut debu atau asap.
- Jauhkan anak-anak dan orang yang berada di sekitar, sewaktu mengoperasikan alat listrik.** Gangguan dapat menyebabkan Anda kehilangan kendali.

2. Keselamatan kelistrikan

- Steker perkakas listrik harus sesuai dengan soketnya. Jangan pernah memodifikasi steker dengan cara apa pun. Jangan gunakan steker adaptor apa pun dengan alat listrik yang dibumikan (grounded).** Steker yang tidak dimodifikasi dan stop kontak yang sesuai akan mengurangi risiko sengatan listrik.
- Jagalah agar badan Anda tidak bersentuhan dengan permukaan yang dibumikan, seperti pipa, radiator, kompor, dan kulkas.** Risiko sengatan listrik dapat meningkat jika tubuh Anda bersentuhan dengan permukaan yang dibumikan.
- Jangan sampai alat listrik ini terkena hujan atau terpapar pada kondisi yang basah.** Air yang masuk ke alat listrik akan meningkatkan risiko sengatan listrik.
- Jangan menyalahgunakan kabel. Jangan sekali-kali menggunakan kabel untuk membawa, menarik, atau mencabut alat listrik. Jauhkan kabel dari panas, minyak, tepi tajam, atau komponen yang bergerak.** Kabel yang rusak atau terbelit meningkatkan risiko sengatan listrik.
- Bila mengoperasikan alat listrik di luar ruangan, gunakan kabel ekstensi yang sesuai untuk penggunaan di luar ruangan.** Menggunakan kabel yang sesuai untuk penggunaan di luar ruangan akan mengurangi risiko sengatan listrik.
- Jika penggunaan alat listrik di lokasi yang lembab tidak dapat dihindari, gunakan suplai yang terlindung oleh perangkat arus sisa (RCD).** Penggunaan RCD akan mengurangi risiko sengatan listrik.

3. Keselamatan diri

- a. **Tetap waspada, perhatikan apa yang Anda kerjakan dan gunakan akal sehat saat mengoperasikan perkakas listrik. Jangan mengoperasikan alat listrik bila Anda sedang lelah, atau berada di bawah pengaruh obat, alkohol, atau pengobatan.** Kelengahan sesaat saja ketika mengoperasikan alat listrik dapat menyebabkan cedera diri yang parah.
- b. **Gunakan peralatan pelindung diri. Selalu kenakan alat pelindung mata.** Peralatan pelindung, seperti masker debu, sepatu keselamatan antiselip, helm proyek, atau pelindung telinga yang digunakan untuk kondisi yang sesuai akan mengurangi risiko cedera diri.
- c. **Hindari menyalakan alat tanpa disengaja. Pastikan bahwa sakelar sudah dalam posisi mati sebelum menghubungkannya ke sumber listrik dan/atau baterai, mengambil, atau membawa alat.** Membawa alat listrik dengan jari Anda yang masih menempel pada sakelar atau menghidupkan alat listrik yang sakelarnya masih menyala akan berpotensi mengakibatkan kecelakaan.
- d. **Lepaskan semua kunci setelan atau kunci pas sebelum menghidupkan alat listrik.** Kunci pas atau kunci yang dibiarkan terpasang pada komponen alat listrik yang berputar dapat mengakibatkan cedera diri.
- e. **Jangan menjangkau melampaui batas. Selalu jaga pijakan dan keseimbangan yang baik.** Hal ini memungkinkan Anda untuk mengendalikan alat listrik dengan lebih baik dalam situasi yang tidak terduga.
- f. **Kenakan pakaian yang sesuai. Jangan mengenakan pakaian longgar atau perhiasan. Jauhkan rambut, pakaian dan sarung tangan dari komponen yang bergerak.** Pakaian yang longgar, perhiasan, atau rambut panjang dapat tersangkut pada komponen yang bergerak.
- g. **Jika disediakan perangkat untuk sambungan fasilitas pengeluaran dan pengumpulan debu, pastikan alat ini dihubungkan dan digunakan dengan sesuai.** Penggunaan alat pengumpul debu dapat mengurangi bahaya yang ditimbulkan oleh debu.

4. Penggunaan dan pemeliharaan alat listrik

- a. **Jangan menggunakan perkakas listrik dengan paksa. Gunakan alat listrik yang sesuai untuk aplikasi Anda.** Alat listrik yang tepat akan bekerja lebih baik dan aman pada tingkat kelajuan yang telah dirancang untuk alat itu.
 - b. **Jangan gunakan alat listrik ini jika sakelar tidak dapat menghidupkan dan mematikan alat.** Alat listrik apa pun yang tidak dapat dikendalikan dengan sakelar adalah berbahaya dan harus diperbaiki.
 - c. **Lepaskan stop kontak dari sumber listrik dan/atau baterai dari alat listrik sebelum melakukan penyetelan apa pun, mengganti aksesoris, atau menyimpan alat listrik.** Tindakan pencegahan untuk keselamatan seperti itu akan mengurangi risiko menyalakan alat listrik secara tidak disengaja.
 - d. **Simpan alat listrik yang tidak digunakan jauh dari jangkauan anak-anak, dan jangan membolehkan orang yang tidak memahami alat listrik atau petunjuk ini untuk mengoperasikannya.** Alat listrik bisa berbahaya bila digunakan oleh pengguna yang tidak terlatih.
 - e. **Rawat perkakas listrik. Lakukan pemeriksaan untuk mengetahui apakah ada komponen bergerak yang tidak sejajar atau bengkok, komponen yang patah, dan kondisi lainnya yang dapat memengaruhi pengoperasian perkakas listrik. Jika rusak, perbaiki alat listrik sebelum digunakan.** Banyak terjadi kecelakaan akibat alat listrik yang tidak terawat baik.
 - f. **Jaga ketajaman dan kebersihan alat pemotong.** Alat pemotong yang terawat dengan baik dengan mata potong yang tajam akan kecil kemungkinannya untuk macet serta lebih mudah untuk dikendalikan.
 - g. **Gunakan alat listrik, aksesoris, dan mata bor, dsb., sesuai instruksi-instruksi ini, dengan memperhitungkan persyaratan kerja dan jenis pekerjaan yang harus dilakukan.** Menggunakan alat listrik untuk pengoperasian yang berbeda dengan yang dimaksudkan akan mengakibatkan situasi yang membahayakan.
- ### 5. Servis
- a. **Alat listrik sebaiknya diservis oleh teknisi yang berkualifikasi dan hanya menggunakan komponen pengganti yang persis sama.** Ini akan menjamin keselamatan alat terpelihara.

PERINGATAN KESELAMATAN TAMBAHAN UNTUK ALAT LISTRIK



Peringatan! Peringatan keselamatan tambahan untuk bor dan bor tumbuk

- ◆ **Gunakan pelindung telinga saat menggunakan bor tumbuk.** Paparan terhadap kebisingan dapat menyebabkan kehilangan pendengaran.
- ◆ **Gunakan pegangan tambahan, bila disertakan dengan alat ini.** Hilangnya kendali dapat menimbulkan cedera diri.
- ◆ **Pegang alat listrik pada permukaan pegangan berpenyekat saat melakukan pengoperasian di mana aksesori pemotong dapat bersentuhan dengan kabel tersembunyi atau kabelnya sendiri.** Aksesori pemotong yang bersentuhan dengan kabel bertegangan listrik dapat mengalirkan arus listrik pada komponen logam dari alat listrik dan menyebabkan sengatan listrik pada pengguna.
- ◆ **Gunakan jepitan atau cara praktis lain untuk mengamankan dan menyangga benda kerja pada landasan yang stabil.** Memegang benda dengan tangan atau disandarkan pada tubuh Anda akan membuatnya tidak stabil dan dapat mengakibatkan hilangnya kendali.
- ◆ Sebelum mengebor tembok, lantai, atau langit-langit, periksa dulu penempatan kabel dan pipa.
- ◆ Hindari menyentuh ujung mata bor segera setelah mengebor, karena mungkin panas.
- ◆ Produk ini tidak ditujukan untuk penggunaan oleh orang (termasuk anak-anak) yang menderita kekurangan kemampuan fisik, sensorik, atau mental, atau kurang pengalaman dan pengetahuan, kecuali apabila mereka diawasi atau diarahkan dalam penggunaan peralatan ini oleh orang yang bertanggung jawab atas keselamatan mereka. Anak-anak harus diawasi agar mereka tidak bermain-main dengan peralatan ini.
- ◆ Tujuan penggunaan dijelaskan dalam buku petunjuk ini. Menggunakan aksesori atau peralatan tambahan, maupun mengoperasikan alat ini dengan cara yang tidak sesuai dengan yang disarankan dalam panduan pengguna ini dapat menimbulkan risiko cedera tubuh dan/atau kerusakan benda-benda milik pribadi.

LABEL PADA ALAT

Label pada alat Anda dapat memuat simbol-simbol berikut ini:



PERINGATAN! Untuk mengurangi risiko cedera, pengguna harus membaca buku petunjuk.

POSISI KODE TANGGAL

Kode Tanggal, yang juga mencantumkan tahun produksi, dicetak pada kerangka alat.

Contoh:

2016 XX JN
Tahun pembuatan

Keselamatan kelistrikan



Alat ini berisolasi ganda; sehingga kabel arde (ground) tidak diperlukan. Selalu periksa apakah catu daya sesuai dengan nilai tegangan yang tercantum pada papan nilai.

Fitur-Fitur

Alat ini memiliki beberapa atau semua fitur berikut ini.

1. Sakelar kecepatan variabel
2. Tombol pengunci
3. Tombol maju/mundur
4. Pemilih mode bor
5. Gagang gerek
6. Penghenti kedalaman
7. Pegangan samping

Perakitan



Peringatan! Sebelum dirakit, pastikan bahwa alat ini sudah dimatikan dan dicabut dari stop kontak.

Memasang pegangan samping dan pengatur kedalaman (gbr. A, B)

- ◆ Putar pegangan berlawanan arah jarum jam sampai Anda dapat menggeser pegangan samping (7) ke depan alat seperti yang ditunjukkan (gbr.A).
- ◆ Putar pegangan samping ke posisi yang diinginkan.
- ◆ Masukkan pengatur kedalaman (6) ke dalam lubang dudukan seperti yang ditunjukkan(gbr.B).
- ◆ Atur pengatur kedalaman seperti yang dijelaskan di bawah ini.
- ◆ Kencangkan pegangan samping dengan memutar pegangan searah jarum jam.

Memasang mata bor (gbr.C)

- ◆ Buka penjepit dengan memutar lengan (5) berlawanan arah jarum jam.
- ◆ Masukkan batang mata (9) ke dalam penjepit (namun tidak mata bor).
- ◆ Masukkan kunci gagang gerak (10) ke dalam setiap lubang (8) di sisi gagang gerak, lalu putar searah jarum jam hingga kencang.

Melepas dan memasang kembali gagang gerak(gbr.D)

- ◆ Buka tang gagang selebar mungkin.
- ◆ Lepas sekrup penahan gagang gerak (di dalam gagang gerak) dengan memutarnya searah jarum jam menggunakan obeng.
- ◆ Kencangkan kunci Allen ke dalam gagang gerak, lalu pukul dengan palu seperti yang ditunjukkan.
- ◆ Lepaskan kunci Allen. Lepas penjepit dengan memutarnya berlawanan arah jarum jam.
- ◆ Untuk memasang kembali gagang gerak, pasang ke pemutar menggunakan sekrup, lalu kencangkan dengan sekrup penahan gagang gerak.

Penggunaan



Peringatan! Biarkan alat bekerja sesuai kecepatannya. Jangan dibebani berlebihan.



Peringatan! Sebelum mengebor tembok, lantai, atau langit-langit, periksa dulu penempatan kabel dan pipa.

- ◆ Untuk memilih rotasi maju, dorong penggeser maju/mundur (3) ke posisi kiri.
- ◆ Untuk memilih putaran pelonggar, dorong tombol maju/mundur (3) ke kanan. Peringatan! Jangan pernah mengubah arah rotasi pada saat mesin menyala.

Memilih mode pengeboran

- ◆ Untuk mengebor dinding bata, atur pemilih mode pengeboran (4) ke posisi **T**.
- ◆ Untuk mengebor bahan lain dan digunakan sebagai obeng, atur pemilih mode pengeboran ke posisi **1**.

Mengatur kedalaman pengeboran (gbr. B)

- ◆ Longgarkan pegangan samping (7) dengan memutar pegangan berlawanan arah jarum jam.
- ◆ Setel penghenti kedalaman(6) ke posisi yang diinginkan. Kedalaman pengeboran maksimum sama dengan jarak antara ujung mata bor dengan ujung depan pembatas kedalaman.
- ◆ Kencangkan pegangan samping dengan memutar pegangan searah jarum jam.

Menyalakan dan mematikan

- ◆ Untuk menyalakan alat, tekan sakelar kecepatan variabel(1). Kecepatan alat tergantung pada seberapa jauh Anda menekan sakelar. Sebagai aturan umum, gunakan kecepatan rendah untuk mata bor berdiameter besar dan kecepatan tinggi untuk mata bor yang berdiameter lebih kecil.
- ◆ Untuk operasi terus menerus, tekan tombol pengunci (2) dan lepaskan sakelar kecepatan variabel. Pilihan ini tersedia hanya bila menggunakan kecepatan tinggi pada mode kencangkan dan longgarkan.
- ◆ Untuk mematikan alat, lepas sakelar kecepatan variabel. Untuk mematikan alat saat digunakan terus-menerus, tekan kembali sakelar kecepatan variabel, lalu lepas tombol.
- ◆ Berdasarkan aplikasi yang berbeda, putarlah tombol cepat (11) untuk mengendalikan kecepatan maksimum.

Memilih arah rotasi (gbr.E)

Untuk mengebor dan mengencangkan sekrup, gunakan rotasi maju (searah jarum jam). Untuk melonggarkan sekrup atau melepas kepala bor yang macet, gunakan putaran pelonggar (berlawanan arah jarum jam).

Mengebor logam

Mulailah mengebor dengan kecepatan rendah dan tingkatkan ke daya penuh sambil menekan erat-erat pada alat. Aliran serpihan logam yang lancar menunjukkan laju pengeboran yang tepat. Gunakan pelumas pemotong saat mengebor logam. Kecuali untuk besi tuangan dan kuningan yang harus dibor kering.

CATATAN: Lubang besar [5/16" (8 mm) sampai 1/2" (13 mm)] lubang di baja dapat dibuat dengan lebih mudah jika lubang percontohan [5/32" (4 mm) sampai 3/16" (5 mm)] dibor terlebih dahulu.

Mengebor kayu

Mulailah mengebor dengan kecepatan rendah dan tingkatkan ke daya penuh sambil menekan erat-erat pada alat. Lubang di kayu dapat dibuat dengan bor ulir yang sama yang digunakan untuk logam. Mata bor ini bisa menjadi terlalu panas kecuali sering ditarik keluar untuk membersihkan serpihan dari galur. Pekerjaan yang dapat menyerpih harus diberi alas dengan balok kayu.

Mengebor dinding bata

Saat mengebor batu, gunakan mata bor berujung karbit yang dinilai untuk pengeboran perkusi saat mengebor dinding dan pastikan mata bornya tajam. Gunakan kekuatan konstan dan tetap pada alat untuk pengeboran yang paling efektif. Aliran debu yang lancar menunjukkan laju pengeboran yang tepat.

Mengobeng

- ◆ Pilih rotasi maju atau mundur.

Pengeboran tumbuk (gbr. A)

- ◆ Pilih mode tumbuk.
- ◆ Tekan sakelar (1).

Pengeboran putar (gbr. A)

- ◆ Pilih mode pengeboran putar.
- ◆ Lanjutkan sama seperti pada pengeboran tumbuk.

PEMELIHARAAN

Alat listrik Stanley dirancang untuk pengoperasian jangka waktu panjang dengan pemeliharaan minimum. Pengoperasian yang memuaskan secara terus-menerus bergantung pada cara pemeliharaan yang benar dan pembersihan alat secara teratur.

PENTING

Untuk memastikan KEAMANAN dan KEANDALAN produk, perbaikan, pemeliharaan, serta penyesuaian (selain yang tercantum dalam buku petunjuk ini) harus dilakukan oleh pusat layanan resmi atau perusahaan berpengalaman lainnya, dengan selalu menggunakan suku cadang pengganti yang sama. Bagian dalam alat ini tidak mengandung komponen yang dapat diservis sendiri oleh pengguna.



PEMBERSIHAN



PERINGATAN: Semprot ke luar kotoran dan debu pada bodi utama dengan udara kering sesering mungkin saat kotoran terlihat mengendap di dalam dan di sekitar ventilasi udara. Gunakan pelindung mata yang sesuai dan masker debu yang sesuai bilamana mengerjakan prosedur ini.



PERINGATAN: Jangan gunakan pelarut atau bahan kimia keras lainnya untuk membersihkan bagian alat yang tidak terbuat dari logam. Bahan kimia ini dapat merapuhkan material komponen. Cukup gunakan sabun lembut dan kain yang agak basah untuk membersihkan alat. Jangan sampai bagian dalam alat kemasukan air; jangan pernah rendam komponen alat dalam cairan.

AKSESORI OPSIONAL

Kinerja alat listrik apa pun tergantung pada aksesori yang digunakan. Aksesori Stanley dibuat sesuai standar mutu yang tinggi dan dirancang untuk meningkatkan kinerja alat listrik.



PERHATIAN: Penggunaan aksesori lain yang tidak dianjurkan untuk digunakan bersama alat listrik ini dapat membahayakan.

MELINDUNGI LINGKUNGAN



Pengumpulan terpisah. Produk ini tidak boleh dibuang bersama limbah rumah tangga biasa.

Seandainya suatu hari Anda jumpai produk Stanley Anda butuh diganti, atau tidak lagi berguna bagi Anda, jangan buang alat ini bersama limbah rumah tangga biasa. Pisahkan pembuangan produk ini.



Pengumpulan produk dan kemasan bekas secara terpisah memungkinkan material untuk didaur ulang dan digunakan lagi. Penggunaan kembali bahan yang didaur ulang membantu mencegah pencemaran lingkungan dan mengurangi permintaan kebutuhan bahan baku.

Undang-undang setempat mungkin memfasilitasi pengumpulan produk-produk kelistrikan terpisah dari sampah rumah tangga, di tempat pembuangan sampah kota atau oleh pedagang ritel pada saat Anda membeli produk baru.

Informasi Servis

Stanley menawarkan jaringan lengkap milik perusahaan dan lokasi servis resmi di seluruh Asia. Semua Pusat Layanan Stanley memiliki personel terlatih untuk menyediakan layanan alat listrik yang efisien dan dapat diandalkan oleh pelanggan. Jika Anda membutuhkan nasihat teknis, perbaikan, atau penggantian komponen pabrik asli, hubungi kantor Stanley terdekat dengan Anda.

KETERANGAN

- ◆ Kebijakan Stanley adalah salah satu peningkatan yang berkelanjutan pada produk kami, dan karenanya, kami berhak mengubah spesifikasi produk tanpa pemberitahuan sebelumnya.
- ◆ Perlengkapan dan aksesoris standar mungkin akan berbeda menurut negara.
- ◆ Spesifikasi produk mungkin akan berbeda menurut negara.
- ◆ Pilihan produk lengkap mungkin tidak tersedia di semua negara. Hubungi dealer Stanley setempat untuk mengetahui rangkaian produk yang tersedia.

SDH600

สว่านเจาะกระแทก 13 มม.

ข้อมูลทางเทคนิค

ข้อมูลจำเพาะ	SDH600			
	-B1	-XD	-TW	-A9
แรงดันไฟ โวลต์	220-240	220-240	110	220
ความถี่ เฮิรตซ์	50/60	50/60	60	50
กำลังไฟ	วัตต์			550
ความเร็วขณะไม่มีโหลด	/นาที			0-2900
อัตราเจาะกระแทก	IPM			49300
การหมุนย้อนกลับ/การหมุนไปด้านหลัง				มี
ขนาดหัวจับดอกสว่าน	มม.			1.5-13
ความสามารถในการเจาะสูงสุด				
คอนกรีต/โลหะ/ไม้	มม.		13/13/25	
น้ำหนัก	กก.		1.75	

วัตถุประสงค์ในการใช้งาน

สว่านเจาะกระแทก Stanley ออกแบบมาเพื่อการเจาะไม้ โลหะ และปูน

ข้อปฏิบัติเพื่อความปลอดภัย**คำเตือนเพื่อความปลอดภัยทั่วไปสำหรับการใช้เครื่องมือไฟฟ้า**

คำเตือน! โปรดอ่านคำเตือนและข้อปฏิบัติเพื่อความปลอดภัยทั้งหมด การไม่ปฏิบัติตามคำเตือนและข้อปฏิบัติเหล่านี้ อาจทำให้ถูกไฟฟ้าช็อต เกิดเพลิงไหม้ และ/หรือได้รับบาดเจ็บสาหัสได้

โปรดเก็บรักษาคำเตือนและข้อปฏิบัติทั้งหมดนี้ไว้เพื่อการอ้างอิงในภายหลัง

คำว่า "เครื่องมือไฟฟ้า" ในคำเตือน หมายถึง เครื่องมือไฟฟ้า (แบบมีสาย) ที่ทำงานผ่านแหล่งจ่ายไฟหลัก หรือเครื่องมือไฟฟ้า (แบบไร้สาย) ที่ทำงานผ่านแบตเตอรี่

1. ความปลอดภัยในบริเวณที่ทำงาน

- พื้นที่ทำงานจะต้องสะอาดและมีแสงสว่างเพียงพอ บริเวณที่มีดินหรือมีของวางระเกะระกะอาจทำให้เกิดอุบัติเหตุได้
- ห้ามใช้เครื่องมือไฟฟ้าในบริเวณที่อาจเกิดการระเบิด เช่น เมื่อมีขงของเหลว แก๊ส หรือ ฝุ่นละอองที่ไวไฟ เครื่องมือไฟฟ้าจะทำให้เกิดประกายไฟที่อาจทำให้เกิดละอองไฟหรือเปลวไฟขึ้นได้

ค) ระวังไม่ให้เด็กเล็กและคนเดินผ่านไปมาเข้าใกล้ในขณะที่ใช้งานเครื่องมือไฟฟ้า สิ่งรอบกวนอาจทำให้คุณเสียสมาธิได้

2. ความปลอดภัยทางไฟฟ้า

- ปลั๊กไฟของเครื่องต้องเป็นชนิดเดียวกับตัวรับห้ามตัดแปลงปลั๊กไฟไม่ว่าด้วยวิธีใด ห้ามใช้ปลั๊กอะแดปเตอร์ใดๆ กับเครื่องมือไฟฟ้าที่ต่อสายดิน (ลงกราวด์) ปลั๊กที่ไม่มีการตัดแปลงและตัวรับชนิดเดียวกันจะช่วยลดความเสี่ยงจากการถูกไฟฟ้าช็อต
- หลีกเลี่ยงการสัมผัสพื้นผิวที่ต่อสายดินหรือลงกราวด์ เช่น ท่อ เครื่องทำความร้อน เตารีด และตู้เย็น มีความเสี่ยงเพิ่มขึ้นที่จะถูกไฟฟ้าช็อตหากร่างกายของคุณเป็นสื่อเชื่อมต่อลงดินหรือลงกราวด์
- อย่าให้เครื่องมือไฟฟ้าถูกฝนหรือเปียกน้ำ น้ำที่เข้าเครื่องมือไฟฟ้าจะทำให้มีความเสี่ยงในการถูกไฟฟ้าช็อตเพิ่มขึ้น
- ห้ามใช้สายไฟผิดวัตถุประสงค์ ห้ามใช้สายไฟเพื่อการหิ้ว ดึง หรือถอดปลั๊กเครื่องมือไฟฟ้า เก็บสายไฟให้ห่างจากความร้อน น้ำมัน ของมีคม หรือ ชิ้นส่วนที่เคลื่อนที่ สายไฟที่ขาดหรือพันกันเป็นการเพิ่มความเสี่ยงจากการถูกไฟฟ้าช็อต
- เมื่อใช้เครื่องมือไฟฟ้านอกอาคาร ให้ใช้สายต่อพ่วงที่เหมาะสมสำหรับการใช้งานนอกอาคาร การใช้สายไฟที่เหมาะสมสำหรับการใช้งานนอกอาคารจะช่วยลดความเสี่ยงต่อการเกิดไฟฟ้าช็อต
- หากไม่สามารถหลีกเลี่ยงการใช้เครื่องมือไฟฟ้าในบริเวณที่ชื้นและได้ ให้ใช้อุปกรณ์ป้องกันไฟฟ้าสะสม (RCD) ที่จัดให้ การใช้ RCD จะช่วยลดความเสี่ยงจากการถูกไฟฟ้าช็อต

3. ความปลอดภัยส่วนบุคคล

- ดินตัวและมีสมาธิกับสิ่งที่คุณกำลังทำ รวมทั้งใช้สามัญสำนึกในขณะที่กำลังใช้งานเครื่องมือไฟฟ้า ห้ามใช้เครื่องมือไฟฟ้าในขณะที่คุณกำลังเหนื่อยหรือได้รับอิทธิพลจากยา แอลกอฮอล์ หรือการรักษามานาน การขาดความระมัดระวังในการใช้เครื่องมือไฟฟ้าแม้ชั่วขณะหนึ่งอาจทำให้บาดเจ็บสาหัสได้
- ใช้อุปกรณ์คุ้มครองความปลอดภัยส่วนบุคคลสวมอุปกรณ์ป้องกันดวงตาเสมอ อุปกรณ์ป้องกัน เช่น หน้ากากกันฝุ่น รองเท้านิรภัยกันลื่น หมวกนิรภัย หรืออุปกรณ์ป้องกันเสียงดังสำหรับสภาพที่เหมาะสม จะช่วยลดอาการบาดเจ็บทางร่างกาย
- ป้องกันเครื่องเปิดทำงานโดยไม่ตั้งใจ สวิตช์ต้องอยู่ในตำแหน่งปิดก่อนที่จะเสียบปลั๊กของเครื่องเข้ากับแหล่งจ่ายไฟ และ/หรือแบตเตอรี่ หรือก่อนยกหรือหิ้วเครื่องมือ การยกเครื่องมือไฟฟ้าในขณะที่นิ้วอยู่ที่สวิตช์ หรือใช้เครื่องมือไฟฟ้าที่สวิตช์เปิดอยู่ อาจทำให้เกิดอุบัติเหตุได้
- ถอดกุญแจปรับตั้งหรือประแจออกก่อนเปิดสวิตช์เครื่องมือไฟฟ้า ประแจหรือกุญแจที่เสียบค้างอยู่ใน

ชิ้นส่วนที่หมุนในโซ่ของเครื่องมือไฟฟ้าอาจทำให้เกิดการบาดเจ็บได้

- จ) ห้ามยืนเขย่งเท้าขณะใช้เครื่อง ควรยืนในท่าที่เหมาะสมและสมดุลตลอดเวลา เพื่อช่วยในการควบคุมเครื่องมือไฟฟ้าได้ดียิ่งขึ้นในสถานการณ์ที่ไม่คาดคิด
- ฉ) แต่งกายให้เหมาะสม ห้ามสวมเสื้อผ้าหลวมหรือใส่เครื่องประดับ ครอบผม เสื้อผ้า และถุงมือให้ห่างจากชิ้นส่วนที่กำลังหมุน เสื้อผ้าที่หลวมหรือยาว รุ่มร่าม เครื่องประดับ หรือผมที่ยาวอาจเข้าไปพันกับชิ้นส่วนที่กำลังหมุน
- ช) หากมีอุปกรณ์สำหรับดูดและเก็บฝุ่น ต้องตรวจสอบให้แน่ใจว่าได้เชื่อมต่อและใช้งานอุปกรณ์นั้นอย่างเหมาะสม การใช้อุปกรณ์เก็บฝุ่นจะช่วยลดอันตรายที่เกี่ยวข้องกับฝุ่นได้

4. การใช้และการดูแลรักษาเครื่องมือไฟฟ้า

- ก) ห้ามฝืนใช้เครื่องมือไฟฟ้า เลือกใช้เครื่องมือไฟฟ้าที่ถูกต้องตรงกับลักษณะการใช้งานของคุณ เครื่องมือไฟฟ้าที่ถูกต้องย่อมทำงานได้ดีกว่าและปลอดภัยกว่า เมื่อใช้งานตามพิกัดที่เครื่องมือได้รับการออกแบบมา
- ข) ห้ามใช้เครื่องมือไฟฟ้าถ้าสวิตช์เปิดปิดเครื่องไม่ทำงาน เครื่องมือไฟฟ้าที่ไม่สามารถควบคุมผ่านสวิตช์ได้ ถือว่ามีอันตรายและต้องส่งซ่อม
- ค) ถอดปลั๊กของเครื่องมือไฟฟ้าออกจากแหล่งจ่ายไฟ และ/หรือ แบตเตอรี่ก่อนทำการปรับแต่ง เปลี่ยนอุปกรณ์เสริม หรือจัดเก็บ มาตรการเพื่อความปลอดภัยเชิงการป้องกันนี้จะช่วยลดความเสี่ยงในการเผลอเปิดเครื่องให้ทำงานโดยไม่ได้ตั้งใจ
- ง) เก็บเครื่องมือไฟฟ้าที่ไม่ใช้งานไว้ในพื้นมือเด็กและไม่อนุญาตให้บุคคลที่ไม่คุ้นเคยกับเครื่องมือไฟฟ้าหรือคำแนะนำเหล่านี้เป็นผู้ใช้เครื่องมือ เครื่องมือไฟฟ้าจะเป็นอันตรายหากอยู่ในมือผู้ใช้ที่ไม่มี ความชำนาญ
- จ) บำรุงรักษาเครื่องมือไฟฟ้า ตรวจสอบว่าชิ้นส่วนที่เคลื่อนที่ได้มีการวางไม่ตรงแนวหรือติดขัดหรือไม่มีชิ้นส่วนที่แตกหัก และสภาพอินไดที่อาจส่งผลต่อการทำงานของเครื่องมือไฟฟ้าหรือไม่ หากชำรุดเสียหาย ให้นำเครื่องมือไปส่งซ่อมก่อนนำมาใช้ อุบัติเหตุจำนวนมากเกิดจากการดูแลรักษาเครื่องมือไฟฟ้าไม่ดีพอ
- ฉ) เครื่องมือตัดต้องคมและสะอาดอยู่เสมอ เครื่องมือตัดที่ได้รับการดูแลรักษาอย่างถูกต้อง และมีขอบตัดคม จะมีปัญหาติดขัดน้อย และควบคุมได้ง่ายกว่า
- ช) ใช้เครื่องมือไฟฟ้า อุปกรณ์เสริมและชุดอุปกรณ์ต่างๆ ให้สอดคล้องกับคำแนะนำเหล่านี้และตรงตามวัตถุประสงค์การใช้งานของเครื่องมือไฟฟ้าแต่ละชนิด โดยพิจารณาถึงสภาพการทำงานและงานที่ทําเป็นสำคัญ การใช้เครื่องมือไฟฟ้าทำงานอื่นนอกเหนือจากที่กำหนดไว้อาจทําให้เกิดอันตรายได้

5. การบริการ

- ก) ให้ช่างซ่อมที่มีความเชี่ยวชาญเป็นผู้ซ่อมเครื่องมือ และใช้อะไหล่แท้เท่านั้น ซึ่งจะช่วยให้มั่นใจได้ว่าเครื่องมือไฟฟ้ายังมีความปลอดภัยอยู่

คำเตือนเพื่อความปลอดภัยเพิ่มเติมสำหรับการใช้เครื่องมือไฟฟ้า



คำเตือน! คำเตือนด้านความปลอดภัยเพิ่มเติมสำหรับสวานและสวานเจาะกระแทก

- ◆ สวมใส่อุปกรณ์ป้องกันเสียงดังเมื่อทำงานเจาะกระแทก การเผชิญกับเสียงดังมาก อาจทำให้สูญเสียการควบคุมเครื่องในการได้ยิน
- ◆ ใช้มือจับเสริม หากให้มาพร้อมกับเครื่อง การสูญเสียการควบคุมเครื่องอาจทําให้ได้รับบาดเจ็บได้
- ◆ จับเครื่องมือไฟฟ้าที่พื้นผิวส่วนที่ใช้จับซึ่งมีฉนวนป้องกัน เมื่อใช้งานเครื่องและอุปกรณ์เสริมที่ใช้กับงานตัดอาจสัมผัสกับสายไฟที่ซ่อนอยู่หรือสายไฟของตัวเครื่องเอง อุปกรณ์เสริมที่ใช้กับงานตัดที่สัมผัสกับสายไฟ "ที่มีไฟฟ้า" อาจทําให้ส่วนของโลหะที่ถูกล้มสับ "มีไฟฟ้า" และช็อตผู้ใช้เครื่องได้
- ◆ ใช้ตัวจับชิ้นงานหรือวิธีอื่นๆ ที่ได้ผลเพื่อยึดและหมุนชิ้นงานบนแท่นที่มั่นคง การใช้มือจับหรือให้ชิ้นงานพึ่งกับลำตัวจะไม่มั่นคงและอาจทําให้สูญเสียการควบคุมได้
- ◆ ก่อนเจาะผนัง พื้น หรือเพดาน ให้ตรวจหาตำแหน่งสายไฟและท่อน้ำ
- ◆ หลีกเลี่ยงการสัมผัสปลายดอกสวานหลังจากเพิ่งเจาะเสร็จ เนื่องจากดอกสวานอาจร้อน
- ◆ เครื่องมือนี้ไม่ได้มีไว้เพื่อการใช้งานโดยบุคคล (ซึ่งรวมถึงผู้เยาว์) ที่มีความบกพร่องทางร่างกาย ทางกายรับความรู้สึก หรือทางจิตประสาท หรือขาดประสบการณ์และความรู้ เว้นเสียแต่จะได้รับการควบคุมดูแลหรือคำแนะนำการใช้เครื่องมือโดยผู้รับผิดชอบความปลอดภัยของบุคคลเหล่านั้น เด็กควรได้รับการควบคุมดูแลเพื่อให้อุ่นใจว่าเด็กจะไม่เล่นเครื่องมือ
- ◆ วัตถุประสงค์ในการใช้งานได้อธิบายไว้ในคู่มือแนะนำการใช้งานฉบับนี้ การใช้งานอุปกรณ์เสริมหรืออุปกรณ์ต่อพ่วง หรือการใช้งานอื่นใดกับเครื่องมืออื่นนอกเหนือจากที่ได้นแนะนำไว้ในคู่มือการใช้งานนี้ อาจทําให้เสี่ยงต่อการบาดเจ็บ และ/หรือความเสียหายต่อทรัพย์สินได้

ป้ายสัญลักษณ์บนเครื่องมือ

ป้ายบนเครื่องมือของคุณอาจมีสัญลักษณ์ดังต่อไปนี้:



คำเตือน! เพื่อลดความเสี่ยงต่อการบาดเจ็บ ผู้ใช้ต้องอ่านคู่มือการใช้งานเล่มนี้

ตำแหน่งของรหัสรุ่นที่

รหัสรุ่นที่ ซึ่งรวมถึงปีที่ผลิต จะพิมพ์อยู่บนตัวเครื่อง

ตัวอย่างเช่น:

2016 XX JN
ปีที่ผลิต

ความปลอดภัยทางไฟฟ้า



เครื่องมือนี้มีฉนวนสองชั้น ดังนั้นจึงไม่จำเป็นต้องต่อสายดิน ต้องตรวจสอบกำลังไฟเพื่อให้ตรงกับแรงดันไฟฟ้าบนแผ่นแสดงพิกัดเสมอ

ส่วนประกอบสำคัญ

เครื่องมือนี้มีส่วนประกอบสำคัญบางอย่างหรือทั้งหมดดังต่อไปนี้

1. สวิตช์ปรับระดับความเร็ว
2. ปุ่มล็อค
3. ปุ่มเดินหน้า/ถอยหลัง
4. สวิตช์เลือกโหมดการเจาะ
5. ตัวจับดอกสว่าน
6. ก้านปรับระยะการเจาะ
7. มือจับเสริมด้านข้าง

การประกอบ



คำเตือน! ก่อนการประกอบ ตรวจสอบให้แน่ใจว่าเครื่องมือมีสวิตช์อยู่และถอดปลั๊กไฟแล้ว

การติดตั้งมือจับเสริมด้านข้างและก้านปรับระยะการเจาะ (รูป A, B)

- ◆ หมุนกริปทวนเข็มนาฬิกาจนกระทั่งสามารถเลื่อนมือจับเสริมด้านข้าง (7) เข้าที่ด้านหน้าของเครื่องมือ (รูป A)
- ◆ หมุนมือจับเสริมด้านข้างเข้าไปยังตำแหน่งที่ต้องการ
- ◆ เสียบอุปกรณ์ก้านปรับระยะการเจาะ (6) ลงในรูติดตั้งตามภาพ (รูป B)
- ◆ ตั้งค่าความลึกของการเจาะตามที่อธิบายด้านล่าง
- ◆ ขันมือจับเสริมด้านข้างให้แน่นโดยหมุนกริปตามเข็มนาฬิกา

การติดตั้งดอกสว่าน (รูป C)

- ◆ คลายตัวจับดอกสว่านโดยการหมุนปลอก (5) ทวนเข็มนาฬิกา
- ◆ สอดแกนดอกสว่าน (9) เข้าไปในตัวจับดอกสว่าน (ดอกสว่านไม่รวมอยู่ในชุดอุปกรณ์)
- ◆ เสียบจ่าปาขึ้นตัวจับดอกสว่าน (10) เข้าไปในรู (8) ด้านข้างตัวจับดอกสว่านแล้วหมุนตามเข็มนาฬิกาจนแน่น

การถอดและเปลี่ยนตัวจับดอกสว่าน (รูป D)

- ◆ เปิดตัวจับดอกสว่านให้กว้างที่สุดเท่าที่จะทำได้
- ◆ ถอดสกรูยึดตัวจับดอกสว่านซึ่งอยู่ภายในตัวจับดอกสว่านโดยใช้ไขควงขันไปตามเข็มนาฬิกา
- ◆ ขันประแจหกเหลี่ยมทรง L เข้าไปในตัวจับดอกสว่านให้แน่นแล้วดอกสว่านจะแสดงในรูป
- ◆ ถอดประแจหกเหลี่ยมทรง L ออก ถอดตัวจับดอกสว่านออกโดยหมุนทวนเข็มนาฬิกา
- ◆ เมื่อจะเปลี่ยนตัวจับดอกสว่าน ให้ขันตัวจับเข้ากับแกนหมุนแล้วยึดด้วยสกรูยึดตัวจับดอกสว่าน

การใช้งาน



คำเตือน! ปล่อยให้เครื่องมือทำงานตามความเร็วของเครื่อง ห้ามใช้งานเกินกำลัง



คำเตือน! ก่อนเจาะผนัง พื้น หรือเพดาน ให้ตรวจสอบตำแหน่งสายไฟและท่อน้ำ

การเลือกทิศทางการหมุน (รูป E)

สำหรับการเจาะและขันสกรูเข้า ให้ใช้การหมุนไปด้านหน้า (ตามเข็มนาฬิกา) สำหรับขันคลายสกรูหรือถอนดอกสว่านที่ติด ให้ใช้การหมุนย้อนกลับ (ทวนเข็มนาฬิกา)

- ◆ เมื่อต้องการเลือกให้หมุนไปด้านหน้า ให้ดันปุ่มเลื่อนเดินหน้า/ถอยหลัง (3) ไปทางด้านซ้าย
- ◆ ถ้าต้องการเลือกให้หมุนย้อนกลับ ให้ดันปุ่มเลื่อนเดินหน้า/ถอยหลัง (3) ไปทางด้านขวา คำเตือน! ห้ามเปลี่ยนทิศทางการหมุนขณะที่มีมอเตอร์กำลังหมุนโดยเด็ดขาด

การเลือกโหมดเจาะกระแทก

- ◆ สำหรับการเจาะลงไปวัสดุปูน ให้ปรับตัวเลือกโหมด (4) ไปที่ตำแหน่ง **T**
- ◆ สำหรับการเจาะลงไปวัสดุอื่นๆ และสำหรับการขันสกรู ให้ปรับตัวเลือกโหมดไปที่ตำแหน่ง **1**

การปรับตั้งความลึกของการเจาะ (รูป B)

- ◆ ขึ้นมือจับเสริมด้านข้าง (7) ให้แน่น โดยหมุนกริปทวนเข็มนาฬิกา
- ◆ ตั้งก้านปรับระยะการเจาะ (6) ไปยังค่าที่ต้องการ ระยะการเจาะลึกสุดคือระยะห่างระหว่างปลายดอกสว่านจนถึงด้านหน้าของก้านปรับระยะการเจาะ
- ◆ ขึ้นมือจับเสริมด้านข้างให้แน่นโดยหมุนกริปตามเข็มนาฬิกา

การเปิดและปิดเครื่อง

- ◆ เมื่อต้องการเปิดเครื่อง ให้กดสวิตช์ปรับระดับความเร็ว (1) ความเร็วของเครื่องมือจะขึ้นอยู่กับความลึกของสวิตช์ที่คุณกดลงไป โดยทั่วไป ให้ใช้ความเร็วต่ำสำหรับดอกสว่านขนาดใหญ่และความเร็วสูงสำหรับดอกสว่านขนาดเล็กกว่า
- ◆ หากต้องการใช้งานอย่างต่อเนื่อง ให้กดปุ่มล็อค (2) และปล่อยสวิตช์ปรับระดับความเร็ว ตัวล็อกนี้จะใช้งานได้ทีความเร็วยุติสุดเท่านั้น ทั้งโหมดเดินหน้าและถอยหลัง
- ◆ เมื่อต้องการปิดเครื่อง ให้ปล่อยสวิตช์ปรับระดับความเร็ว เมื่อจะปิดเครื่องระหว่างการใช้งานต่อเนื่อง ให้กดสวิตช์ปรับระดับความเร็วอีกหนึ่งครั้งแล้วปล่อย
- ◆ ให้หมุนปรับหน้าปัดความเร็ว (11) เพื่อควบคุมความเร็วสูงสุดสำหรับการใช้งานที่แตกต่างกัน

การเจาะโลหะ

เริ่มเจาะโดยใช้ความเร็วต่ำก่อนและเพิ่มเป็นความเร็วสูงสุดขณะที่ออกแรงกดที่เครื่องมือ เศษโลหะที่วิ่งออกมาอย่างต่อเนื่องแสดงว่าใช้อัตราการเจาะที่เหมาะสม ใช้สารหล่อลื่นสำหรับงานตัดขดและเจาะ ยกเว้นเหล็กหล่อและทองเหลืองที่ควรเจาะขณะแห้ง

หมายเหตุ: การเจาะรูขนาดใหญ่ [5/16" (8 มม.) ถึง 1/2" (13 มม.)] ในเหล็กจะสามารถทำได้ง่ายยิ่งขึ้นถ้าเจาะรูนำร่อง [5/32" (4 มม.) ถึง 3/16" (5 มม.)] ก่อน

การเจาะไม้

เริ่มเจาะโดยใช้ความเร็วต่ำก่อนและเพิ่มเป็นความเร็วสูงสุดขณะที่ออกแรงกดที่เครื่องมือ เจาะรูในงานไม้ได้ด้วยการใช้ดอกสว่านแบบเกลียวเช่นเดียวกับที่ใช้กับงานโลหะ ดอกสว่านเหล่านี้อาจร่อนเกินไปวนและดึงออกบ่อย ๆ เพื่อนำเศษไม้ออกจากร่อง ควรใช้ท่อนไม้รองงานไม้ที่จะเกิดเสียหาย

การเจาะเข้าไปในปูน

เมื่อเจาะเข้าไปในปูน ให้ใช้ดอกสว่านหัวควร์ไบต์ที่มีพิกัดสำหรับการเจาะกระแทก และตรวจสอบให้แน่ใจว่าดอกสว่านมีความคม ใช้แรงกดที่สม่ำเสมอและมั่นคงไปยังเครื่องมือในขณะที่เจาะเพื่อให้เกิดประสิทธิภาพสูงสุด ฝุ่นที่ออกมาอย่างต่อเนื่องบ่งบอกถึงอัตราการเจาะที่เหมาะสม

การขึ้นสกรู

- ◆ เลือกการหมุนไปด้านหน้าหรือย้อนกลับ

การเจาะกระแทก (รูป A)

- ◆ เลือกโหมดกระแทก
- ◆ กดสวิตช์ (1)

การเจาะป็น (รูป A)

- ◆ เลือกโหมดเจาะป็น
- ◆ ดำเนินการเช่นเดียวกับการเจาะกระแทก

การบำรุงรักษา

เครื่องมือไฟฟ้า Stanley ออกแบบมาเพื่อให้สามารถใช้งานได้ยาวนานต่อเนื่องโดยมีการบำรุงรักษาน้อยที่สุด การทำงานที่สร้างควมพึงพอใจอย่างต่อเนื่องจะขึ้นอยู่กับการดูแลรักษาที่เหมาะสมและการทำความสะอาดอย่างสม่ำเสมอ

ข้อสำคัญ

เพื่อให้มั่นใจว่าผลิตภัณฑ์มีความปลอดภัยและเชื่อถือได้ ควรให้ศูนย์บริการที่ได้รับการรับรองหรือองค์กรที่มีความชำนาญทำการซ่อม บำรุงรักษา และปรับแต่ง (นอกเหนือจากที่ระบุในคู่มือนี้) และใช้อะไหล่แท้เท่านั้น ชุดอุปกรณ์ไม่มีชิ้นส่วนที่ผู้ใช้สามารถซ่อมเองได้อยู่ภายใน



การทำความสะอาด



คำเตือน: หมั่นเป่าสิ่งสกปรกและฝุ่นละอองที่สะสมออกจากตัวเครื่องเป็นประจำด้วยลมแห้ง เนื่องจากสิ่งสกปรกมักสะสมอยู่ภายในและร่อนฯ ช่องระบายอากาศ สวมอุปกรณ์ป้องกันดวงตาและหน้ากากกันฝุ่นที่ได้มาตรฐานในขณะดำเนินการขั้นตอนนี้



คำเตือน: ห้ามใช้สารที่เป็นตัวทำละลายหรือสารเคมีที่มีฤทธิ์กัดกร่อนรุนแรงอื่นๆ ทำความสะอาดชิ้นส่วนของเครื่องมือที่ไม่ใช่โลหะ สารเคมีเหล่านี้อาจส่งผลต่อวัสดุที่ใช้ในชิ้นส่วนเหล่านี้ การทำความสะอาดเครื่องให้ใช้สบู่อ่อนและผ้าชุบน้ำหมาดๆ เท่านั้น อย่าให้มีของเหลวใดๆ เข้าไปในเครื่องมือเด็ดขาด ห้ามจุ่มส่วนใดๆ ของเครื่องมือลงในของเหลวเด็ดขาด

อุปกรณ์เสริม

สมรรถนะของเครื่องมือไฟฟ้าใดๆ ขึ้นอยู่กับอุปกรณ์เสริมที่ใช้ อุปกรณ์เสริมของ Stanley ได้รับการออกแบบทางวิศวกรรมให้มีมาตรฐานคุณภาพสูง และเพิ่มสมรรถนะของเครื่องมือไฟฟ้าของคุณ



ข้อควรระวัง: การใช้อุปกรณ์เสริมอื่นใดที่ไม่ได้นำมาใช้กับเครื่องมือนี้อาจทำให้เกิดอันตรายได้

การปกป้องสิ่งแวดล้อม



การเก็บรวบรวมแบบคัดแยก ห้ามทิ้งผลิตภัณฑ์นี้รวมกับขยะในครัวเรือนปกติ

หากวันหนึ่งคุณพบว่า จำเป็นต้องเปลี่ยนผลิตภัณฑ์ Stanley ของคุณ หรือถ้าเครื่องมือนี้ไม่เป็นประโยชน์สำหรับคุณอีกต่อไป อย่าทิ้งผลิตภัณฑ์นี้รวมกับขยะในครัวเรือน จัดการกับผลิตภัณฑ์นี้เพื่อให้พร้อมสำหรับการเก็บรวบรวมแบบคัดแยก



การเก็บรวบรวมแบบคัดแยกสำหรับบรรจุภัณฑ์และผลิตภัณฑ์ที่ใช้แล้วทำให้สามารถรีไซเคิลวัสดุและนำมาใช้งานอีกครั้ง การนำวัสดุรีไซเคิลมาใช้อีกครั้งจะช่วยป้องกันมลพิษต่อสิ่งแวดล้อมและลดความต้องการวัตถุดิบ

ตามกฎหมายท้องถิ่นอาจมีการจัดเตรียมสถานที่สำหรับการเก็บรวบรวมแบบคัดแยกอุปกรณ์ไฟฟ้าที่ใช้ภายในครัวเรือนไว้ ณ แหล่งรับขยะของเทศบาล หรืออาจมีการรับอุปกรณ์ใช้แล้วจากผู้ค้าปลีกในกรณีที่คุณซื้อผลิตภัณฑ์ชิ้นใหม่

ข้อมูลการบริการ

Stanley ให้บริการเครือข่ายศูนย์บริการของบริษัทเอง และศูนย์ฯ ที่ได้รับการรับรองเต็มรูปแบบทั่วทั้งทวีปเอเชีย ศูนย์บริการ Stanley ทุกแห่งมีพนักงานที่ผ่านการฝึกอบรมเพื่อให้บริการเกี่ยวกับเครื่องมือไฟฟ้าได้อย่างมีประสิทธิภาพและเชื่อถือได้ ไม่ว่าคุณจะต้องการคำแนะนำด้านเทคนิค การซ่อมแซม หรืออะไหล่แท้จากโรงงาน โปรดติดต่อศูนย์ Stanley ใกล้บ้านคุณ

ข้อสังเกต

- ◆ เนื่องจาก Stanley มีนโยบายพัฒนาปรับปรุงผลิตภัณฑ์อย่างต่อเนื่อง ดังนั้น เราจึงขอสงวนสิทธิ์ในการเปลี่ยนแปลงข้อมูลจำเพาะของผลิตภัณฑ์โดยไม่แจ้งให้ทราบล่วงหน้า
- ◆ อุปกรณ์มาตรฐานและอุปกรณ์เสริมอาจแตกต่างกันในแต่ละประเทศ
- ◆ ข้อมูลจำเพาะของผลิตภัณฑ์อาจแตกต่างกันในแต่ละประเทศ
- ◆ ตัวเลือกผลิตภัณฑ์อาจมีจำหน่ายไม่ครบทุกรายการ ในบางประเทศ โปรดสอบถามตัวเลือกผลิตภัณฑ์จากตัวแทนจำหน่ายของ Stanley ในประเทศของคุณ

SDH600 Máy khoan động lực 13mm

Thông số kỹ thuật

THÔNG SỐ KỸ THUẬT		SDH600			
		-B1	-XD	-TW	-A9
Công suất	V	220-240	220-240	110	220
Tần số	Hz	50/60	50/60	60	50
Công suất		W		550	
Tốc độ không tải		/phút		0-2900	
Tốc độ đập		lần/phút		49300	
Đào chiều thuận /ngịch					Có
Kích thước đầu kẹp		mm			1.5-13
Kích thước khoan tối đa					
Tường/Kim loại/Gỗ		mm		13/13/25	
Trọng lượng		kg			1,75

Mục đích sử dụng

Máy khoan động lực Stanley được thiết kế để khoan gỗ, kim loại, và tường.

Hướng dẫn an toàn

Cảnh báo chung về an toàn cho dụng cụ điện cầm tay



CẢNH BÁO! Hãy đọc tất cả các cảnh báo và hướng dẫn về an toàn. Việc không tuân thủ các cảnh báo và hướng dẫn có thể gây giật điện, cháy nổ và/hoặc chấn thương nghiêm trọng.

GIỮ LẠI MỌI CẢNH BÁO VÀ HƯỚNG DẪN ĐỂ SAU NÀY THAM KHẢO.

Thuật ngữ “dụng cụ điện cầm tay” trong phần cảnh báo chỉ thiết bị chạy bằng điện nguồn (có dây điện) hoặc thiết bị chạy bằng pin (không có dây điện).

1. An toàn tại nơi làm việc

- a. **Đảm bảo nơi làm việc luôn sạch sẽ và đủ ánh sáng.** Những khu vực bừa bộn hoặc thiếu ánh sáng dễ gây tai nạn.

- b. **Không vận hành dụng cụ điện cầm tay trong các môi trường dễ cháy nổ, như các môi trường có chất lỏng, khí ga hoặc bụi dễ cháy.** Dụng cụ điện cầm tay tạo ra các tia lửa điện có thể gây cháy bụi hoặc bốc khói.
- c. **Không cho trẻ em và những người quan sát lại gần khi đang vận hành dụng cụ điện cầm tay.** Những lúc xao lãng có thể khiến bạn mất kiểm soát.

2. An toàn điện

- a. **Phích cắm của dụng cụ điện cầm tay phải vừa với ổ cắm.** Không được sửa đổi phích cắm dưới bất kỳ hình thức nào. Không được sử dụng các phích cắm chuyên đổi với những dụng cụ điện cầm tay có nối đất. Phích cắm nguyên trạng và ổ cắm phù hợp sẽ giúp giảm nguy cơ bị điện giật.
- b. **Tránh tiếp xúc với các bề mặt được nối đất như đường ống, lò sưởi, bếp nướng và tủ lạnh.** Nguy cơ bị điện giật sẽ cao hơn nếu cơ thể bạn tiếp xúc trực tiếp với đất.
- c. **Không để các dụng cụ điện cầm tay ngoài trời mưa hoặc ở nơi ẩm ướt.** Nước vào trong dụng cụ điện cầm tay sẽ làm tăng nguy cơ bị điện giật.
- d. **Không dùng dây điện cho các mục đích khác.** Tuyệt đối không sử dụng dây điện để mang, kéo hoặc rút phích cắm dụng cụ điện cầm tay. Để dây điện cách xa nguồn nhiệt, dầu mỡ, các cạnh sắc hoặc các bộ phận chuyển động. Dây điện bị hỏng hoặc bị vướng sẽ làm tăng nguy cơ bị điện giật.
- e. **Khi vận hành dụng cụ điện cầm tay ngoài trời, hãy sử dụng dây nối dài phù hợp để sử dụng ngoài trời.** Sử dụng dây điện phù hợp để sử dụng ngoài trời sẽ giúp giảm nguy cơ bị điện giật.
- f. **Nếu bắt buộc phải vận hành dụng cụ điện cầm tay ở nơi ẩm ướt, hãy sử dụng nguồn được bảo vệ bởi thiết bị ngắt mạch tự động (RCD).** Sử dụng RCD giúp giảm nguy cơ bị điện giật.

3. An toàn cá nhân

- a. **Hãy tập trung, chú ý vào những gì bạn đang làm và tinh táo khi vận hành dụng cụ điện cầm tay. Không sử dụng dụng cụ điện cầm tay khi bạn đang mệt hoặc chịu ảnh hưởng của rượu bia, ma túy hoặc chất kích thích.** Chỉ một khoảnh khắc mất tập trung trong khi vận hành dụng cụ điện cầm tay cũng có thể dẫn đến chấn thương cá nhân nghiêm trọng.
- b. **Sử dụng thiết bị bảo hộ cá nhân. Luôn đeo kính bảo hộ.** Thiết bị bảo hộ như mặt nạ chống bụi, giày chống trượt, mũ cứng hoặc thiết bị bảo vệ tai - nếu được sử dụng ở những điều kiện phù hợp - sẽ giúp giảm các chấn thương cá nhân.
- c. **Tránh vô tình bật máy. Đảm bảo công tắc ở vị trí tắt trước khi nối với nguồn điện và/ hoặc pin, khi cầm lên hoặc mang dụng cụ.** Việc cầm dụng cụ điện cầm tay khi ngón tay đặt vào công tắc hoặc sạc pin cho dụng cụ điện cầm tay khi công tắc đang bật có thể gây tai nạn.
- d. **Hãy tháo hết khóa điều chỉnh hoặc cờ lê trước khi bật dụng cụ điện cầm tay. Cờ lê hoặc khóa vẫn để ở bộ phận quay của dụng cụ điện cầm tay có thể dẫn đến chấn thương cá nhân.**
- e. **Không được với tay. Hãy luôn đứng vững tư thế và giữ thăng bằng.** Điều đó giúp kiểm soát dụng cụ điện cầm tay tốt hơn trong các tình huống bất ngờ.
- f. **Mặc quần áo phù hợp. Không mặc quần áo rộng hoặc đeo đồ trang sức. Giữ cho tóc, quần áo và găng tay tránh xa các bộ phận chuyển động.** Quần áo rộng, đồ trang sức hoặc tóc dài có thể bị mắc vào các bộ phận chuyển động.
- g. **Nếu các thiết bị được cung cấp để nối các phương tiện hút và gom bụi, hãy đảm bảo những thiết bị này được nối và sử dụng đúng cách.** Sử dụng thiết bị gom bụi có thể giảm các nguy cơ liên quan đến bụi.

4. Sử dụng và bảo quản dụng cụ điện cầm tay

- a. **Sử dụng dụng cụ điện cầm tay phù hợp. Sử dụng dụng cụ điện cầm tay phù hợp với mục đích của bạn.** Dụng cụ điện cầm tay phù hợp sẽ giúp bạn làm việc hiệu quả và an toàn hơn theo đúng tốc độ được thiết kế.

- b. **Không sử dụng dụng cụ điện cầm tay nếu công tắc không bật và tắt được.** Mọi dụng cụ điện cầm tay không điều khiển được bằng công tắc đều rất nguy hiểm và cần phải được sửa chữa.
- c. **Rút phích cắm dụng cụ điện cầm tay khỏi nguồn điện và/hoặc pin trước khi thực hiện các điều chỉnh, thay đổi phụ kiện hoặc cất giữ dụng cụ.** Các biện pháp an toàn phòng ngừa đó giúp giảm nguy cơ khởi động dụng cụ điện cầm tay một cách tình cờ.
- d. **Bảo quản các dụng cụ điện cầm tay không sử dụng tránh xa tầm tay trẻ em và không cho phép những người không quen với dụng cụ điện cầm tay hoặc những hướng dẫn này vận hành dụng cụ điện cầm tay.** Dụng cụ điện cầm tay sẽ rất nguy hiểm khi được sử dụng bởi những người chưa được huấn luyện.
- e. **Bảo trì dụng cụ điện cầm tay. Kiểm tra các bộ phận di chuyển xem có bị lấp lách hoặc kẹt không, các bộ phận có bị vỡ không và bất kỳ tình trạng nào khác có thể ảnh hưởng đến việc vận hành dụng cụ. Nếu dụng cụ điện cầm tay bị hỏng, hãy sửa chữa trước khi sử dụng.** Rất nhiều tai nạn xảy ra do công tác bảo trì các dụng cụ điện cầm tay kém.
- f. **Đảm bảo các thiết bị cắt luôn sắc và sạch sẽ.** Các dụng cụ cắt được bảo trì đúng cách với các cạnh cắt sắc sẽ ít bị kẹt hơn và dễ điều khiển hơn.
- g. **Sử dụng dụng cụ điện cầm tay, các phụ kiện và mũi khoan, v.v. theo các hướng dẫn này, chú ý đến các điều kiện làm việc và công việc cần thực hiện.** Sử dụng dụng cụ điện cầm tay sai mục đích có thể gây nguy hiểm.

5. Bảo dưỡng

- a. **Hãy để nhân viên bảo dưỡng có chuyên môn tiến hành bảo dưỡng dụng cụ điện cầm tay cho bạn và chỉ sử dụng các bộ phận thay thế chính hãng.** Điều này giúp đảm bảo độ an toàn của dụng cụ điện cầm tay đó.

CẢNH BÁO BỔ SUNG VỀ AN TOÀN DỤNG CỤ ĐIỆN CẦM TAY



Cảnh báo! Các cảnh báo bổ sung về an toàn cho các máy khoan và máy khoan búa

- ◆ **Mang thiết bị bảo vệ tai khi làm việc với máy khoan búa.** Việc tiếp xúc với tiếng ồn có thể làm giảm thính lực.
- ◆ **Sử dụng (các) tay cầm phụ, nếu được cung cấp kèm theo dụng cụ.** Việc mất kiểm soát có thể gây chấn thương cá nhân.
- ◆ **Cầm dụng cụ điện cầm tay ở phần bề mặt tay cầm cách điện khi thực hiện thao tác mà phụ kiện cắt có thể tiếp xúc với hệ thống dây điện chìm hoặc dây điện của chính dụng cụ.** Phụ kiện cắt tiếp xúc với dây điện "có điện" có thể truyền điện cho các bộ phận kim loại hở của dụng cụ điện cầm tay và có thể khiến nhân viên vận hành bị điện giật.
- ◆ **Dùng kẹp hay áp dụng một biện pháp thực tế khác nhằm bảo đảm và cố định phôi gia công trên bàn máy.** Giữ phôi bằng tay hay dựa vào người bạn đều làm cho phôi không vững và có thể dẫn tới mất kiểm soát.
- ◆ Trước khi khoan vào tường, sàn hay trần nhà, hãy kiểm tra vị trí lắp đặt đường dây điện và đường ống.
- ◆ Tránh chạm vào đầu mũi khoan ngay sau khi khoan vì lúc này mũi khoan có thể vẫn nóng.
- ◆ Không cho phép những người (bao gồm cả trẻ em) bị suy giảm năng lực thể chất, trí tuệ hoặc cảm giác, hay người thiếu kinh nghiệm và kiến thức sử dụng dụng cụ điện cầm tay này, trừ khi có sự giám sát hoặc hướng dẫn của người chịu trách nhiệm về vấn đề an toàn của họ. Phải giám sát để đảm bảo trẻ không nghịch thiết bị.
- ◆ Mục đích sử dụng được mô tả trong hướng dẫn sử dụng này. Việc sử dụng bất kỳ phụ kiện hay đồ gá hoặc thực hiện bất kỳ thao tác nào với dụng cụ này không theo các mục đích sử dụng khuyến nghị trong hướng dẫn sử dụng này có thể dẫn đến nguy cơ chấn thương cá nhân và/hoặc hư hỏng tài sản.

KÝ HIỆU TRÊN DỤNG CỤ

Trên dụng cụ của bạn có thể có những ký hiệu sau:



CẢNH BÁO! Để giảm nguy cơ chấn thương, người dùng phải đọc hướng dẫn sử dụng.

VỊ TRÍ MÃ NGÀY

Mã ngày, bao gồm cả năm sản xuất, được in trên vỏ máy.

Ví dụ:

2016 XX JN

Năm sản xuất

An toàn điện



Do dụng cụ này được cách điện kép nên không cần dây nối đất. Luôn kiểm tra nguồn điện có tương ứng với điện áp trên biển thông số định mức hay không.

Tính năng

Dụng cụ này gồm một số hoặc tất cả những tính năng sau.

1. Công tắc điều tốc
2. Nút cố định tốc độ
3. Nút đảo chiều thuận/ngịch
4. Nút chọn chế độ khoan
5. Đầu kẹp
6. Thước chặn độ sâu
7. Tay cầm bên

Lắp ráp



Cảnh báo! Trước khi lắp ráp, đảm bảo đã tắt và rút phích nguồn của dụng cụ.

Lắp tay cầm bên và chốt chặn độ sâu

(hình A, B)

- ◆ Xoay chốt kẹp ngược chiều kim đồng hồ tới khi có thể đẩy tay cầm bên (7) lên phía trước của dụng cụ như hình vẽ (hình A).
- ◆ Xoay tròn tay cầm vào vị trí mình muốn.
- ◆ Lắp thước chặn độ sâu (6) vào lỗ gần như hình vẽ (hình B).

- ◆ Điều chỉnh độ sâu cần khoan như mô tả bên dưới.
- ◆ Xiết chặt tay cầm bằng cách xoay chốt kẹp theo chiều kim đồng hồ.

Lắp mũi khoan (hình C)

- ◆ Mở đầu kẹp bằng cách xoay khớp nối (5) ngược chiều kim đồng hồ.
- ◆ Lắp trực mũi khoan (9) vào đầu kẹp (chưa lắp mũi khoan).
- ◆ Lắp khóa đầu kẹp (10) vào từng lỗ (8) bên hông đầu kẹp và vặn chặt theo chiều kim đồng hồ.

Tháo và lắp đầu kẹp (hình D)

- ◆ Mở đầu kẹp hết cỡ.
- ◆ Tháo vít giữ đầu kẹp bằng cách dùng tuốc nơ vít vặn theo chiều kim đồng hồ.
- ◆ Vặn chặt chia vặn vào đầu kẹp rồi dùng búa đập như hình vẽ.
- ◆ Tháo chia vặn. Tháo đầu kẹp bằng cách xoay ngược chiều kim đồng hồ.
- ◆ Để lắp lại đầu kẹp, vặn chặt đầu kẹp vào trục máy rồi cố định bằng vít giữ đầu kẹp.

Cách sử dụng



Cảnh báo! Đảm bảo dụng cụ làm việc ở tốc độ cho phép. Không để quá tải.



Cảnh báo! Trước khi khoan vào tường, sàn hay trần nhà, hãy kiểm tra vị trí lắp đặt đường điện và đường ống.

Chọn hướng quay (hình E)

Để khoan hoặc bắt vít, chọn chiều quay thuận (theo chiều kim đồng hồ). Để nối lỏng vít hoặc tháo mũi khoan bị kẹt, chọn chiều quay nghịch (ngược chiều kim đồng hồ).

- ◆ Để chọn chiều quay thuận, đẩy nút đảo chiều thuận/ngịch (3) sang bên trái.
- ◆ Để chọn chiều quay nghịch, đẩy nút đảo chiều thuận/ngịch (3) sang bên phải. Cảnh báo! Tuyệt đối không được thay đổi hướng quay khi động cơ đang chạy.

Chọn chế độ khoan

- ◆ Để khoan tường, đặt nút chọn chế độ khoan (4) ở vị trí **T**.
- ◆ Để khoan các vật liệu khác và bắt vít, đặt nút chọn chế độ khoan ở vị trí **1**.

Thiết lập độ sâu khoan (hình B)

- ◆ Nới lỏng tay cầm bên (7) bằng cách xoay chốt kẹp ngược chiều kim đồng hồ.
- ◆ Đặt thước chặn độ sâu (6) ở vị trí mong muốn. Độ sâu khoan tối đa bằng khoảng cách từ đầu mũi khoan cho tới đầu phía trước của chốt chặn độ sâu.
- ◆ Xiết chặt tay cầm bên bằng cách xoay chốt kẹp theo chiều kim đồng hồ.

Bật và tắt

- ◆ Để bật dụng cụ, ấn công tắc điều tốc (1). Tốc độ của dụng cụ phụ thuộc vào lực ấn công tắc của bạn. Thông thường, dùng tốc độ thấp đối với các mũi khoan có đường kính lớn và tốc độ cao đối với các mũi khoan có đường kính nhỏ hơn.
- ◆ Để khoan liên tục, nhấn nút cố định tốc độ (2) và nhà công tắc điều chỉnh tốc độ. Thao tác này chỉ thực hiện được khi máy chạy tốc độ tối đa ở cả hai chế độ thuận và nghịch.
- ◆ Để tắt dụng cụ, nhà công tắc điều chỉnh tốc độ. Để tắt dụng cụ khi đang hoạt động liên tục, hãy ấn công tắc điều chỉnh tốc độ thêm một lần nữa và thả ra.
- ◆ Căn cứ vào các mục đích sử dụng khác nhau, xoay núm điều chỉnh tốc độ (11) để điều chỉnh tốc độ tối đa.

Khoan kim loại

Bắt đầu khoan với tốc độ chậm và tăng lên toàn bộ công suất khi sử dụng lực mạnh trên dụng cụ. Dòng phôi kim loại nhẵn đều cho thấy tốc độ khoan phù hợp. Khi khoan kim loại phải dùng một loại dầu bôi trơn cắt. Ngoại trừ gang và đồng thau, những chất liệu này nên được khoan khô.

LƯU Ý: Lỗ khoan lớn [5/16" (8 mm) đến 1/2" (13mm)] trong thép có thể được thực hiện một cách dễ dàng nếu khoan trước một lỗ thăm [5/32" (4 mm) đến 3/16" (5mm)].

Khoan gỗ

Bắt đầu khoan với tốc độ chậm và tăng lên toàn bộ công suất khi sử dụng lực mạnh trên dụng cụ. Có thể tạo các lỗ khoan trên gỗ bằng khoan xoắn sử dụng cho kim loại. Các mũi khoan này có thể gây ra hiện tượng quá nhiệt trừ khi được tháo ra thường xuyên để loại bỏ hết mặt vật liệu khỏi rãnh. Phôi gia công có thể bị vỡ vụn nên được gia cố bằng một khối gỗ.

Khoan tường

Khi khoan tường, sử dụng mũi khoan cacbua chuyên dùng cho khoan đập và phải đảm bảo rằng mũi khoan còn sắc. Ấn đều và mạnh lên dụng cụ để khoan được hiệu quả nhất. Dòng bụi nhẵn, đều cho thấy tốc độ khoan phù hợp.

Bắt vít

- ◆ Chọn chiều quay thuận hoặc nghịch.

Khoan động lực (hình A)

- ◆ Chọn chế độ ký hiệu hình cây búa.
- ◆ Ấn công tắc (1).

Chế độ khoan xoay (hình A)

- ◆ Chọn chế độ ký hiệu hình mũi khoan.
- ◆ Thực hiện như phần mô tả dành cho khoan động lực.

BẢO TRÌ

Dụng cụ điện cầm tay của Stanley được thiết kế để vận hành trong thời gian dài và ít phải bảo trì nhất. Dụng cụ vận hành liên tục theo ý muốn tùy thuộc vào việc bảo quản dụng cụ đúng cách và vệ sinh thường xuyên.

QUAN TRỌNG

Để đảm bảo sản phẩm AN TOÀN và TIN CẬY, công tác sửa chữa, bảo hành và hiệu chỉnh (ngoài các công tác được liệt kê trong sổ tay hướng dẫn này) cần được thực hiện bởi các trung tâm bảo hành được ủy quyền hoặc các tổ chức được chứng nhận khác, luôn sử dụng các bộ phận thay thế chính hãng. Người dùng không được tự ý bảo dưỡng các bộ phận bên trong dụng cụ.



VỆ SINH MÁY



CẢNH BÁO: Thường xuyên dùng khăn khô để thổi bụi bẩn khỏi vỏ dụng cụ khi thấy bám bụi trong và xung quanh các khe thông gió. Đeo kính bảo hộ và mặt nạ chống bụi được phê duyệt khi thực hiện quy trình này.



CẢNH BÁO: Tuyệt đối không sử dụng các dung môi và hóa chất mạnh để vệ sinh các bộ phận không phải kim loại của dụng cụ. Những hóa chất này có thể làm tổn hại đến vật liệu của các bộ phận. Chỉ sử dụng xà bông nhẹ và miếng bọt biển để vệ sinh dụng cụ. Tuyệt đối không để chất lỏng vào bên trong dụng cụ; không được ngâm các bộ phận của dụng cụ vào chất lỏng.

CÁC PHỤ KIỆN TỰ CHỌN

Hiệu suất của dụng cụ điện cầm tay phụ thuộc vào phụ kiện được sử dụng. Phụ kiện của Stanley được chế tạo theo tiêu chuẩn chất lượng cao và được thiết kế nhằm tăng cường hiệu suất làm việc cho dụng cụ điện cầm tay.



THẬN TRỌNG: Sử dụng bất kỳ phụ kiện nào không được khuyến nghị với dụng cụ này có thể dẫn đến nguy hiểm.

BẢO VỆ MÔI TRƯỜNG



Thu gom riêng. Không được thải bỏ sản phẩm này với rác thải sinh hoạt thông thường.

Nếu sản phẩm Stanley của bạn cần phải thay thế, hoặc bạn không sử dụng nó trong tương lai nữa, hãy nghĩ đến việc bảo vệ môi trường. Sản phẩm này phải được thu gom riêng.



Thu gom riêng sản phẩm và bao bì đóng gói đã qua sử dụng sẽ cho phép tái chế và tái sử dụng vật liệu. Tái sử dụng vật liệu tái chế giúp ngăn chặn ô nhiễm môi trường và giảm nhu cầu vật liệu thô.

Luật lệ địa phương có thể quy định việc thu gom riêng các sản phẩm điện gia dụng, tại các bãi rác thải đô thị hoặc bởi những người bán lẻ khi bạn mua sản phẩm mới

Thông tin dịch vụ

Stanley có sẵn một mạng lưới các trung tâm trực thuộc và ủy quyền trên khắp Châu Á. Tất cả các trung tâm dịch vụ của Stanley đều có đội ngũ nhân viên lành nghề để cung cấp tới khách hàng dịch vụ hiệu quả và đáng tin cậy. Khi cần tư vấn kỹ thuật, sửa chữa hoặc cần phụ kiện thay thế chính hãng, hãy liên hệ với trụ sở Stanley nơi gần nhất.

LƯU Ý

- ◆ Chính sách của Stanley không ngừng cải thiện với các sản phẩm và do đó, chúng tôi có quyền thay đổi thông số kỹ thuật sản phẩm mà không cần báo trước.
- ◆ Các thiết bị và phụ kiện chuẩn có thể khác nhau tùy theo từng quốc gia.
- ◆ Thông số kỹ thuật của sản phẩm có thể khác nhau giữa các quốc gia..
- ◆ Danh mục sản phẩm hoàn chỉnh có thể không có tại tất cả các quốc gia. Hãy liên hệ với các đại lý của Stanley tại quốc gia bạn để được cung cấp danh mục sản phẩm.