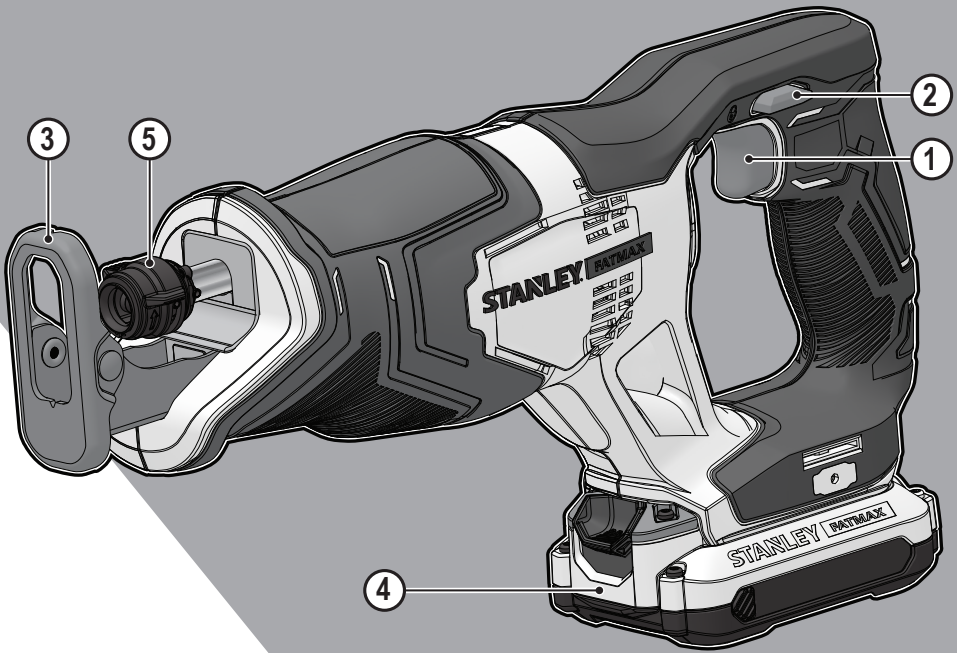


STANLEY[®]
FATMAX[™]

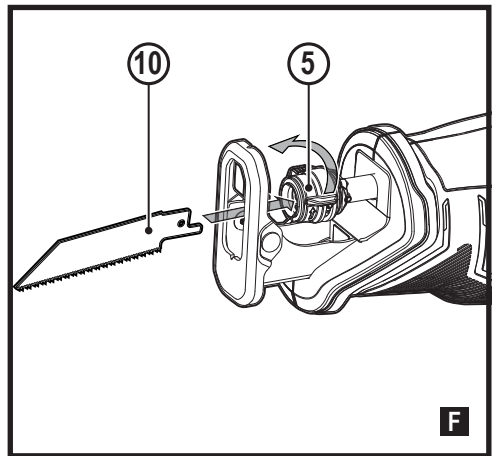
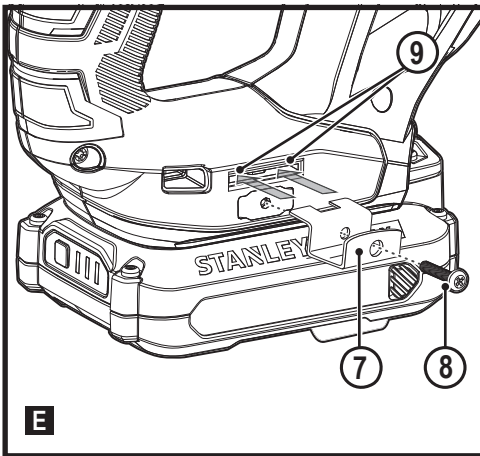
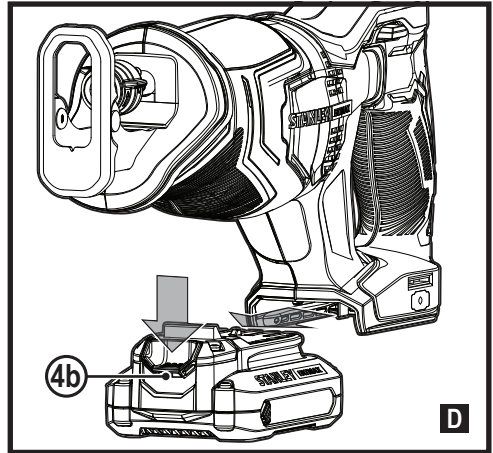
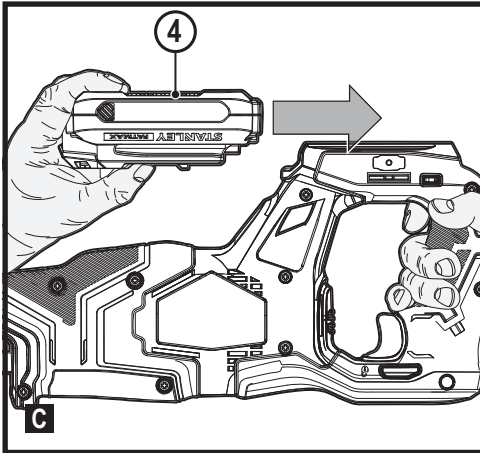
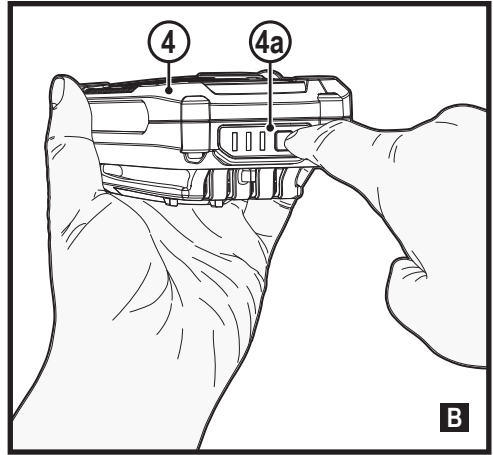
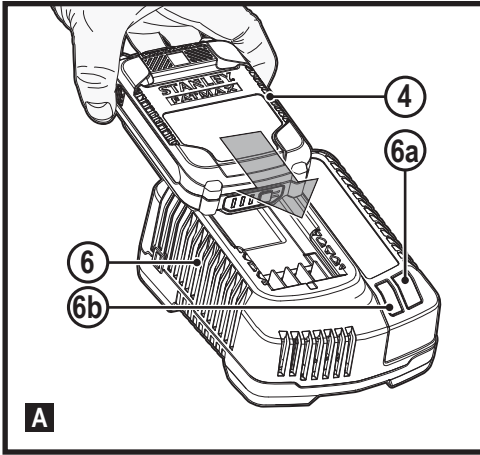
V20
LITHIUM ION



www.stanleytools.com

SCR300

English (<i>original instructions</i>)	4
简体中文	11
繁體中文	16
한국어	21



Intended use

Your STANLEY FATMAX SCR300 Reciprocating Saw has been designed for sawing wood, plastics and sheet metal. This tool is intended for professional and private, non professional users.

Safety instructions

General power tool safety warnings




Warning! Read all safety warnings, instructions, illustrations and specifications provided with this power tool. Failure to follow the warnings and instructions listed below may result in electric shock, fire and/or serious injury..

Save all warnings and instructions for future reference.

The term "power tool" in all of the warnings listed below refers to your mains operated (corded) power tool or battery operated (cordless) power tool.

1. **Work area safety**
 - a. **Keep work area clean and well lit.** Cluttered or dark areas invite accidents.
 - b. **Do not operate power tools in explosive atmospheres, such as in the presence of flammable liquids, gases or dust.** Power tools create sparks which may ignite the dust or fumes.
 - c. **Keep children and bystanders away while operating a power tool.** Distractions can cause you to lose control.
2. **Electrical safety**
 - a. **Power tool plugs must match the outlet. Never modify the plug in any way.**
Do not use any adapter plugs with earthed (grounded) power tools. Unmodified plugs and matching outlets will reduce risk of electric shock.
 - b. **Avoid body contact with earthed or grounded surfaces such as pipes, radiators, ranges and refrigerators.** There is an increased risk of electric shock if your body is earthed or grounded.
 - c. **Do not expose power tools to rain or wet conditions.**
Water entering a power tool will increase the risk of electric shock.
 - d. **Do not abuse the cord. Never use the cord for carrying, pulling or unplugging the power tool. Keep cord away from heat, oil, sharp edges or moving parts.** Damaged or entangled cords increase the risk of electric shock.
 - e. **When operating a power tool outdoors, use an extension cord suitable for outdoor use.** Use of a cord suitable for outdoor use reduces the risk of electric shock.
3. **Personal safety**
 - a. **Stay alert, watch what you are doing and use common sense when operating a power tool.**
Do not use a power tool while you are tired or under the influence of drugs, alcohol or medication. A moment of inattention while operating power tools may result in serious personal injury.
 - b. **Use personal protective equipment. Always wear eye protection.** Protective equipment such as dust mask, non-skid safety shoes, hard hat, or hearing protection used for appropriate conditions will reduce personal injuries.
 - c. **Prevent unintentional starting. Ensure the switch is in the off-position before connecting to power source and/or battery pack, picking up or carrying the tool.** Carrying power tools with your finger on the switch or energising power tools that have the switch on invites accidents.
 - d. **Remove any adjusting key or wrench before turning the power tool on.** A wrench or a key left attached to a rotating part of the power tool may result in personal injury.
 - e. **Do not overreach. Keep proper footing and balance at all times.** This enables better control of the power tool in unexpected situations.
 - f. **Dress properly. Do not wear loose clothing or jewellery. Keep your hair and clothing away from moving parts.** Loose clothes, jewellery or long hair can be caught in moving parts.
 - g. **If devices are provided for the connection of dust extraction and collection facilities, ensure these are connected and properly used.** Use of dust collection can reduce dust-related hazards.
 - h. **Do not let familiarity gained from frequent use of tools allow you to become complacent and ignore tool safety principles.** A careless action can cause severe injury within a fraction of a second.
4. **Power tool use and care**
 - a. **Do not force the power tool. Use the correct power tool for your application.**
The correct power tool will do the job better and safer at the rate for which it was designed.
 - b. **Do not use the power tool if the switch does not turn it on and off.** Any power tool that cannot be controlled with the switch is dangerous and must be repaired.
 - c. **Disconnect the plug from the power source and/or remove the battery pack, if detachable, from the power tool before making any adjustments, changing**
- f. **If operating a power tool in a damp location is unavoidable, use a residual current device (RCD) protected supply.** Use of an RCD reduces the risk of electric shock.

- accessories, or storing power tools. Such preventive safety measures reduce the risk of starting the power tool accidentally.
- d. **Store idle power tools out of the reach of children and do not allow persons unfamiliar with the power tool or these instructions to operate the power tool.** Power tools are dangerous in the hands of untrained users.
 - e. **Maintain power tools and accessories. Check for misalignment or binding of moving parts, breakage of parts and any other condition that may affect the power tools operation. If damaged, have the power tool repaired before use.** Many accidents are caused by poorly maintained power tools.
 - f. **Keep cutting tools sharp and clean.** Properly maintained cutting tools with sharp cutting edges are less likely to bind and are easier to control.
 - g. **Use the power tool, accessories and tool bits etc. in accordance with these instructions, taking into account the working conditions and the work to be performed.**
Use of the power tool for operations different from those intended could result in a hazardous situation.
 - h. **Keep handles and grasping surfaces dry, clean and free from oil and grease.** Slippery handles and grasping surfaces do not allow for safe handling and control of the tool in unexpected situations.
5. **Battery tool use and care**
 - a. **Recharge only with the charger specified by the manufacturer.** A charger that is suitable for one type of battery pack may create a risk of fire when used with another battery pack.
 - b. **Use power tools only with specifically designated battery packs.** Use of any other battery packs may create a risk of injury and fire.
 - c. **When battery pack is not in use, keep it away from other metal objects, like paper clips, coins, keys, nails, screws, or other small metal objects, that can make a connection from one terminal to another.**
Shorting the battery terminals together may cause burns or a fire.
 - d. **Under abusive conditions, liquid may be ejected from the battery; avoid contact. If contact accidentally occurs, flush with water. If liquid contacts eyes, additionally seek medical help.** Liquid ejected from the battery may cause irritation or burns.
 - e. **Do not use a battery pack or tool that is damaged or modified.** Damaged or modified batteries may exhibit unpredictable behaviour resulting in fire, explosion or risk of injury.
 - f. **Do not expose a battery pack or tool to fire or excessive temperature.** Exposure to fire or temperature above 130 °C may cause explosion.
 - g. **Follow all charging instructions and do not charge the battery pack or tool outside the temperature range specified in the instructions.** Charging improperly or at temperatures outside the specified range may damage the battery and increase the risk of fire.
6. **Service**
 - a. **Have your power tool serviced by a qualified repair person using only identical replacement parts.** This will ensure that the safety of the power tool is maintained.
 - b. **Never service damaged BATTERY packs. Service of BATTERY packs should only be performed by the manufacturer or authorized service providers.**
- Additional safety warnings for hand-held saws**
- **Hold power tool by insulated gripping surfaces, when performing an operation where the cutting accessory may contact hidden wiring.** Cutting accessory contacting a "live" wire may make exposed metal parts of the power tool "live" and could give the operator an electric shock.
 - **Use clamps or another practical way to secure and support the workpiece to a stable platform.** Holding the work by hand or against your body leaves it unstable and may lead to loss of control.
 - **Keep hands away from cutting area.** Never reach underneath the work piece any reason. Do not insert fingers or thumb into the vicinity of the reciprocating blade and blade clamp. Do not stabilize the saw by gripping the shoe.
 - **Keep blades sharp.** Dull or damaged blades may cause the saw to swerve or stall under pressure. Always use the appropriate type of saw blade for the workpiece material and type of cut.
 - **When cutting pipe or conduit, make sure that they are free from water, electrical wiring, etc.**
 - **Do not touch the workpiece or the blade immediately after operating the tool.** They can become very hot.
 - **Be aware of hidden hazards, before cutting into walls, floors or ceilings, check for the location of wiring and pipes.**
 - **The blade will continue to move after releasing the switch.** Always switch the tool off and wait for the saw blade to come to a complete standstill before putting the tool down.
-  **Warning!** The vibration emission value during actual use of the power tool can differ from the declared value depending on the ways in which the tool is used. The vibration level may increase above the level stated.

- The intended use is described in this instruction manual. The use of any accessory or attachment or performance of any operation with this tool other than those recommended in this instruction manual may present a risk of personal injury and/or damage to property.

Safety of others

- This appliance is not intended for use by persons (including children) with reduced physical, sensory or mental capabilities, or lack of experience and knowledge, unless they have been given supervision or instruction concerning use of the appliance by a person responsible for their safety.
- Children should be supervised to ensure that they do not play with the appliance.

Residual risks.

Additional residual risks may arise when using the tool which may not be included in the enclosed safety warnings. These risks can arise from misuse, prolonged use etc.

Even with the application of the relevant safety regulations and the implementation of safety devices, certain residual risks can not be avoided. These include:

- Injuries caused by touching any rotating/moving parts.
- Injuries caused when changing any parts, blades or accessories.
- Injuries caused by prolonged use of a tool. When using any tool for prolonged periods ensure you take regular breaks.
- Impairment of hearing.
- Health hazards caused by breathing dust developed when using your tool (example:- working with wood, especially oak, beech and MDF.)

Labels on tool

The label on your tool may include the following symbols:

	WARNING! To reduce the risk of injury, the user must read the instruction manual before use.		
	Wear safety glasses or goggles.		
	Wear ear protection.		
	Wear a dust mask.		
V	Volts		Direct Current
A	Amperes	n_0	No-Load Speed

Hz	Hertz		Class II Construction
W	Watts		Earthing Terminal
min	minutes		Safety Alert Symbol
	Alternating Current	/min.	Revolutions or Reciprocation per minute

Position of date code

The Date Code, which also includes the year of manufacture, is printed into the housing.

Example:

2024 XX JN

Year of manufacturing

Additional safety instructions for batteries and chargers

Batteries

- Never attempt to open for any reason.
- Do not expose the battery to water.
- Do not store in locations where the temperature may exceed 40 °C.
- Charge only at ambient temperatures between 10 °C and 40 °C.
- Charge only using the charger provided with the tool.
- When disposing of batteries, follow the instructions given in the section "Protecting the environment".

Chargers

- Use your STANLEY FATMAX charger only to charge the battery in the tool with which it was supplied. Other batteries could burst, causing personal injury and damage.
- Never attempt to charge non-rechargeable batteries.
- Have defective cords replaced immediately.
- Do not expose the charger to water.
- Do not open the charger.
- Do not probe the charger.



The charger is intended for indoor use only.



Read the instruction manual before use.



Do not attempt to charge damaged batteries.

Electrical safety



Your charger is double insulated; therefore no earth wire is required. Always check that the mains voltage corresponds to the voltage on the rating plate. Never attempt to replace the charger unit with a regular mains plug.

- If the supply cord is damaged, it must be replaced by the manufacturer or an authorised STANLEY FATMAX Service Centre in order to avoid a hazard.

Features

This tool includes some or all of the following features.

1. Variable speed switch
2. Lock-off button
3. Shoe
4. Battery
5. Blade clamp collar

Use



Warning! Let the tool work at its own pace. Do not overload.

Warning! Charging the battery (Fig. A)

The battery needs to be charged before first use and whenever it fails to produce sufficient power on jobs that were easily done before.

The battery may become warm while charging; this is normal and does not indicate a problem.



Warning! Do not charge the battery at ambient temperatures below 10 °C or above 40 °C. Recommended charging temperature: approx. 24 °C.







Note: The charger will not charge a battery if the cell temperature is below approximately 10 °C or above 40 °C.

The battery should be left in the charger and the charger will begin to charge automatically when the cell temperature warms up or cools down.

Note: To ensure maximum performance and life of lithium-ion battery packs, charge the battery pack fully before first use.

- Plug the charger (6) into an appropriate outlet before inserting battery pack (4).
- The green charging light (6a) will blink continuously indicating that the charging process has started.
- The completion of charge will be indicated by the green charging light (6a) remaining ON continuously. The battery pack (4) is fully charged and may be removed and used at this time or left in the charger (6).
- Charge discharged batteries within 1 week. Battery life will be greatly diminished if stored in a discharged state.

Charger LED Modes

	Charging: Green LED Intermittent	
	Fully Charged: Green LED Solid	
	Hot/Cold Pack Delay: Green LED Intermittent Red LED Solid	

Note: The compatible charger(s) will not charge a faulty battery pack. The charger will indicate a faulty battery pack by refusing to light.

Note: This could also mean a problem with a charger. If the charger indicates a problem, take the charger and battery pack to be tested at an authorized service centre.

Leaving the battery in the charger

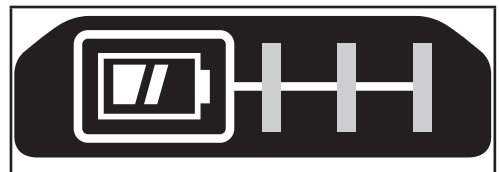
The charger and battery pack can be left connected with the LED glowing indefinitely. The charger will keep the battery pack fresh and fully charged.

Hot/Cold Pack Delay

When the charger detects a battery that is too hot or too cold, it automatically starts a Hot/Cold Pack Delay, the green LED (6a) will flash intermittently, while the red LED (6b) will remain on continuously, suspending charging until the battery has reached an appropriate temperature. The charger then automatically switches to the pack charging mode. This feature ensures maximum battery life.

Battery state of charge indicator (Fig. B)

The battery includes a state of charge indicator to quickly determine the extent of battery life as shown in figure B. By pressing the state of charge button (4a) you can easily view the charge remaining in the battery as illustrated in figure B.



Installing and Removing the Battery Pack from the tool



Warning! Make certain the lock-off button is engaged to prevent switch actuation before removing or installing battery.

To install battery pack (Fig. C)

- Insert battery pack firmly into tool until an audible click is heard as shown in figure C. Ensure battery pack is fully seated and fully latched into position.

To remove battery pack (Fig. D)

- Depress the battery release button (4b) as shown in figure D and pull battery pack out of tool.

Storage hook (Optional extra) (Fig. E)



Warning! To reduce the risk of serious personal injury, place the forward/reverse button in the lock-off position or turn tool off and disconnect battery pack before making any adjustments or removing/installing attachments or accessories. An accidental start-up can cause injury.



Warning! To reduce the risk of serious personal injury, ensure the screw (8) holding the storage hook is secure.

Note: When attaching or replacing the storage hook (7), use only the screw (8) that is provided. Be sure to securely tighten the screw.

To move the storage hook, remove the screw (8) that holds the storage hook (7) in place.

The Storage hook (7) can be attached by sliding the hook into the slots (9) on either side of the tool using only the screw (8) provided, to accommodate left- or right- handed users. If the hook is not desired at all, it can be removed from the tool.

Note: Various trackwall hooks and storage configurations are available.

Please visit our website www.stanleytools.eu/3 for further information.

Assembly



Warning! Before assembly, remove the battery from the tool and make sure that the saw blade has stopped. Used saw blades may be hot.

Fitting the saw blade (Fig. F)

- Hold the tool away from the body
- Rotate the blade clamp collar (5) in the direction shown in figure F.
- Insert the shank of the blade (10) fully into the blade clamp collar (5).

- Release the blade clamp collar (5) to lock the blade into position.

Note: The blade can be installed with the teeth up to assist in flush cutting.

Removing the saw blade


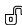


Warning! Burn hazard: Do not touch the blade immediately after use. Contact with the blade may result in personal injury.

- Rotate the blade clamp collar (5) to the release position
- Remove blade (10)

Lock-off button

The tool is equipped with a switch lock-off feature to prevent unintentional operation.

- To lock: push the lock-off button (2) to the locked position .
- To un-lock: push the lock-off button (2) to the un-locked position .

Switching on and off

The variable speed on/off switch offers a choice of speeds for greatly improved cutting rates in various materials.

- To switch the tool on, squeeze the variable speed on/off switch (1).
- To switch the tool off, release the variable speed on/off switch (1).

Sawing

- Always hold the tool with both hands.
- Let the blade run freely for a few seconds before starting the cut.
- Apply only a gentle pressure to the tool while performing the cut.
- If possible, work with the shoe (3) pressed against the workpiece. This will improve tool control and reduce tool vibration, as well as prevent the blade from being damaged.

Hints for optimum use

Sawing wood

- Clamp the workpiece securely and remove all nails and metal objects.
- Holding the tool with both hands, work with the shoe (3) pressed against the workpiece.

Flush cutting

The compact design of the reciprocating saw motor housing and pivoting shoe permit close cutting to floors, corners and other difficult areas.

To maximize flush cutting capabilities:

- Insert the blade shaft into the blade clamp with the teeth of the blade facing up.
- Adjust the angle of the handle on the tool so you are as close to the work surface as possible.

Sawing metal

Be aware that sawing metal takes much more time than sawing wood.

- Use a saw blade suitable for sawing metal. Use a fine-tooth saw blade for ferrous metals and a coarser saw blade for non-ferrous metals.
- When cutting thin sheet metal, clamp a piece of scrap wood to the back surface of the workpiece and cut through this sandwich.
- Spread a film of oil along the intended line of cut.

Pocket cutting in wood

- Measure and mark the required pocket cut.
- Fit a saw blade suitable for pocket cutting.
- Rest the shoe (3) on the workpiece in such a position that the blade forms an appropriate angle for the pocket cut.
- Switch on the tool and slowly feed the blade into the workpiece. Make sure that the shoe (3) remains in contact with the workpiece at all times.

Cutting branches

Branches up to 25 mm in diameter can be cut with this tool.



Warning! Do not use the tool while in a tree, on a ladder or on any other unstable surface. Be aware of where the branch will fall.

- Cut downward and away from your body.
- Make the cut close to the main branch or tree body.

Vertical cutting

The tool allows close cutting to corners and other difficult areas.

- Insert the shank of the saw blade into the blade holder with the teeth of the blade facing upward.
- Hold the tool with the shoe (3) facing downward so that you are as close to the work surface as possible.
- Cut forward and away from your body.

Accessories

The performance of your tool depends on the accessory used. STANLEY FATMAX accessories are engineered to high quality standards and designed to enhance the performance of your tool. By using these accessories you will get the very best from your tool.

Blades

The saw will accept a blade up to 30 cm long. Always use the shortest blade suitable for your project but long enough

to keep the blade cutting through the material. Longer blades are more likely to be bent or damaged during use. During operation some longer blades may vibrate or shake if the saw is not kept in contact with the workpiece.

Maintenance

Your STANLEY FATMAX tool has been designed to operate over a long period of time with a minimum of maintenance. Continuous satisfactory operation depends upon proper tool care and regular cleaning.

Your charger does not require any maintenance apart from regular cleaning.



Warning! Before performing any maintenance on the tool, remove the battery from the tool. Unplug the charger before cleaning it.

- Regularly clean the ventilation slots in your tool and charger using a soft brush or dry cloth.
- Regularly clean the motor housing using a damp cloth.
- Do not use any abrasive or solvent-based cleaner.
- Regularly open the chuck and tap it to remove any dust from the interior.

Protecting the environment



Separate collection. Products and batteries marked with this symbol must not be disposed of with normal household waste.

Products and batteries contain materials that can be recovered or recycled reducing the demand for raw materials. Please recycle electrical products and batteries according to local provisions. Further information is available at www.2helpU.com

Technical data

		SCR300	
Input Voltage	V_{DC}	18V (20V MAX)	
No-load speed	Min^{-1}	0 - 3 000	
Stroke length	mm	25.4	
Weight	kg	1.7	

Charger		SC125	SC200	SC400 SC401
Input Voltage	V_{AC}	220-240	220-240	220-240
Output Voltage	V_{DC}	18V (20V MAX)	18V (20V MAX)	18V (20V MAX)
Current	A	1.25	2	4

Battery		SB201	SB202	SB204	SB206
Voltage	V _{DC}	18V (20V MAX)	18V (20V MAX)	18V (20V MAX)	18V (20V MAX)
Capacity	Ah	1.5	2.0	4.0	6.0
Type		Li-Ion	Li-Ion	Li-Ion	Li-Ion

SERVICE INFORMATION

STANLEY FATMAX offers a full network of company-owned and authorized service locations. All STANLEY FATMAX Service Centers are staffed with trained personnel to provide customers with efficient and reliable power tool service.

For more information about our authorized service centers and if you need technical advice, repair, or genuine factory replacement parts, contact the STANLEY FATMAX location nearest you or visit us at www.stanleytools.com.

设计用途

您的STANLEY FATMAX SCR300 往复锯被设计用于锯切木材、塑料和金属板。该工具必须配备适当的防护罩。这款工具适用于专业和个人非专业用户。

安全说明

电动工具通用安全警告



警告！阅读随电动工具提供的所有安全警告、说明、图示和规定。不遵照以下所列说明会导致电击、着火和/或严重伤害。

保存所有警告和说明书以备查阅。

警告中的术语“电动工具”指市电驱动(有线)电动工具或电池驱动(无线)电动工具。

1. 工作场地的安全

- 保持工作场地清洁和明亮。杂乱和黑暗的场地会引发事故。
- 不要在易爆环境，如有易燃液体、气体或粉尘的环境下操作电动工具。电动工具产生的火花会点燃粉尘或气体。
- 操作电动工具时，远离儿童和旁观者。注意力不集中会使你失去对工具的控制。

2. 电气安全

- 电动工具插头必须与插座相配。绝不能以任何方式改装插头。需接地的电动工具不能使用任何转换插头。未经改装的插头和相配的插座将降低电击风险。
- 避免人体接触接地表面，如管道、散热片和冰箱。如果你身体接触接地表面会增加电击风险。
- 不得将电动工具暴露在雨中或潮湿环境中。水进入电动工具将增加电击风险。
- 不得滥用软线。绝不能用软线搬运、拉动电动工具或拔出其插头。使软线远离热源、油、锐边或运动部件。受损或缠绕的软线会增加电击风险。
- 当在户外使用电动工具时，使用适合户外使用的延长线。适合户外使用的电线将降低电击风险。
- 如果无法避免在潮湿环境下操作电动工具，应使用带有剩余电流装置(RCD)保护的电源。RCD的使用可降低电击风险。

3. 人身安全

- 保持警觉，当操作电动工具时关注所从事的操作并保持清醒。当你感到疲倦，或在有药物、酒精或治疗反应时，不要操作电动工具。在操作电动工具时瞬间的疏忽会导致严重人身伤害。
- 使用个人防护装置。始终佩戴护目镜。防护装置，诸如适当条件下使用防尘面具、防滑安全鞋、安全帽、听力防护等装置能减少人身伤害。
- 防止意外启动。在连接电源和/或电池盒、拿起或搬运工具前确保开关处于关闭位置。手指放在开关上搬运工具或开关处于接通时通电会导致危险。
- 在电动工具接通之前，拿掉所有调节钥匙或扳手。遗留在电动工具旋转零件上的扳手或钥匙会导致人身伤害。

- 手不要过分伸展。时刻注意立足点和身体平衡。这样能在意外情况下能更好地控制住电动工具。
- 着装适当。不要穿宽松衣服或佩戴饰品。让你的头发和衣服远离运动部件。宽松衣服、配饰或长发可能会卷入运动部件。
- 如果提供了与排屑、集尘设备连接用的装置，要确保其连接完好且使用得当。使用集尘装置可降低尘屑引起的危险。
- 不要因为频繁使用工具而产生的熟悉感而掉以轻心，忽视工具的安全准则。某个粗心的动作可能在瞬间导致严重的伤害。

4. 电动工具使用和注意事项

- 不要勉强使用电动工具，根据用途使用合适的电动工具。选用合适的按照额定值设计的电动工具会使你工作更有效、更安全。
- 如果开关不能接通或关断电源，则不能使用该电动工具。不能通过开关来控制的电动工具是危险的且必须进行修理。
- 在进行任何调节、更换附件或贮存电动工具之前，必须从电源上拔掉插头和/或卸下电池包(如可拆卸)。这种防护性的安全措施降低了电动工具意外启动的风险。
- 将闲置不用的电动工具贮存在儿童所及范围之外，并且不允许不熟悉电动工具和不了解这些说明的人操作电动工具。电动工具在未经培训的使用者手中是危险的。
- 维护电动工具及其附件。检查运动部件是否调整到位或卡住，检查零件破损情况和影响电动工具运行的其他状况。如有损坏，应在使用前修理好电动工具。许多事故是由维护不良的电动工具引发的。
- 保持切削刀具锋利和清洁。维护良好地有锋利切削刃的刀具不易卡住而且容易控制。
- 按照使用说明书，并考虑作业条件和要进行的作业来选择电动工具、附件和工具的刀头等。将电动工具用于那些与其用途不符的操作可能会导致危险情况。
- 保持手柄和握持表面干燥、清洁，不得沾有油脂。在意外的情况下，湿滑的手柄不能保证握持的安全和对工具的控制。

5. 电池式工具使用和注意事项

- 仅使用生产者规定的充电器充电。将适用于某种电池包的充电器用到其他电池包时可能会发生着火危险。
- 仅使用配有专用电池包的电动工具。使用其他电池包可能会产生伤害和着火危险。
- 当电池包不用时，将它远离其他金属物体，例如回形针、硬币、钥匙、钉子、螺钉或其他小金属物体，以防电池包一端与另一端连接。电池包端部短路会引起燃烧或着火。
- 在滥用条件下，液体可能会从电池包中溅出，应避免接触。如果意外碰到液体，用水冲洗。如果液体碰到了眼睛，还要寻求医疗帮助。从电池中溅出的液体可能会发生腐蚀或燃烧。
- 不要使用损坏或改装过的电池包或工具。损坏或改装过的电池包可能呈现无法预测的结果，导致着火、爆炸或伤害。
- 不要将电池包暴露于火或高温中。电池包暴露于火或高于130°C的高温中可能导致爆炸。
- 请遵循所有充电说明，请勿在说明书中规定的温度范围以外的环境对电池包或工具充电。不当或在指定范围以外的温度下充电，可能导致电池损坏并增加火灾风险。

6. 维修

- 让专业维修人员使用相同的备件维修电动工具。这将保证所维修的电动工具的安全。
- 决不能维修损坏的电池包。电池包仅能由生产者或其授权的维修服务商进行维修。

针对手持电锯的额外安全警告

- 当在锯割附件可能触及暗线的场合进行操作时,通过绝缘握持面握持工具。锯割附件碰到带电导线会使工具外露的金属零件带电,从而使操作者受到电击。
- 使用夹具或其他实用方法将工件固定和支撑在稳定的工作台面。用手或身体固定工件会使工件不稳引起失控。
- 请让双手远离切割区域。不要因为任何理由将手伸到工件下方。不可将手指或大拇指塞到转动锯片和锯片夹的附近区域。不得通过紧握底座来稳定曲线锯。
- 保持锯片锋利。钝化或受损的锯片可能会让曲线锯在压力下突然转向或停滞。务必根据工件材料来选用适当的锯片类型或切割类型。
- 如需切割管道或导管,请确保管中没有水、电线等。
- 请勿在运行工具后,用手触碰工件或锯片。它们可能会发热。
- 在墙面、地板或天花板上切割之前,请检查电线和管道位置,注意隐藏的危险。
- 在松开开关后,锯片会一直移动。务必先关闭工具,等待锯片完全停止,然后再放下工具。



警告!在实际使用该电动工具时的振动发射值可能会不同于设定值,这取决于使用该工具的方式。振动水平可能会高于该工具声称的水平。

- 本说明手册给出了设计用途。使用本说明手册推荐范围外的任何附件或配件,或用该工具进行任何推荐范围外的操作,可能存在导致人员受伤和/或财产损坏的风险。

他人安全

- 生理、感官或心理机能较差的人员(包括儿童),或者对该类产品缺少使用经验和知识的人员,除非由负责其安全的人员提供使用工具的监督或指示,否则不得使用此工具。
- 应看管好儿童,以确保他们不将此设备当做玩具来玩。

剩余风险

使用工具时,可能出现本安全警示之外的其他剩余风险。这些风险可能来自使用不当、使用时间过长等。

尽管遵守了相关的安全法规并采用了安全装备,某些剩余风险仍然是无法避免的。这些风险包括:

- 接触旋转/运动部件时所导致的伤害风险。
- 更换零件、锯片或配件时所导致的伤害风险。
- 长期使用工具所导致的伤害风险。长期使用任何工具时,均应定期休息。
- 听力损伤风险。
- 吸入工具使用过程中产生的粉尘导致的健康危害(例如,锯切木材,特别是橡木、山毛榉和中密度纤维板时)。

工具上的标记

您工具上的标签可能包含以下符号:

	警告!为降低伤害风险,用户在使用前,必须认真阅读手册。		
	佩戴安全眼镜或护目镜。		
	佩戴听力保护器。		
	佩戴防尘口罩。		
V	伏特		直流电
A	安培	n_0	额定转速
Hz	赫兹		II级构造
W	瓦特		接地端子
min	分钟		安全警示符号
	交流电	/min.	每分钟转速

日期码的位置

包含制造年份的日期,打印在工具外壳上。

示例:

2024 XX JN

制造年份

电池和充电器

电池

- 不论基于任何理由,都不要尝试打开电池。
- 请勿将电池暴露在水中。
- 请勿将电池存放在温度可能超过40°C的地方。
- 只在环境温度介于10°C和40°C之间的情况下充电。
- 仅用工具随附的充电器进行充电
- 处置电池时,请遵循“保护环境”部份所提供的说明进行。

充电器

- 只能使用Stanley FATMAX专属电池充电器为电池充电。其他电池可能会爆裂、导致人身伤害和损害。
- 切勿尝试为不可再充电的电池充电。
- 应立即更换有缺陷的电线。
- 请勿将充电器暴露在水中。
- 请勿打开充电器。
- 请勿刺破充电器。



充电器仅供室内使用。



使用前请阅读使用手册。



不要尝试对损坏的电池充电。

电气安全



本工具随附充电器(如有)为双重绝缘,因此无需接地线。请务必检查电源电压是否与铭牌上的电压一致。切勿尝试使用一般的电源插头替换充电器。是否与铭牌上的电压一致。

- 如果电源线损坏,必须让制造商或授权的STANLEY FATMAX服务中心更换以避免发生危险。

功能部件

本设备包含如下部分或全部部件。

- 变速开关
- 锁闭开关
- 底座
- 电池
- 锯片夹紧环

使用



警告!请让工具按照自有节奏工作。请勿超负荷。

为电池充电(图A)

电池在首次使用之前,以及无法像从前一样为轻松作业提供足够的电量时,都需要充电。电池在充电时可能会变热;这是正常现象,而且并不表示出现问题。



警告!请勿在环境温度低于10°C或高于40°C的状况下为电池充电。建议的充电温度为大约24°C。

注:若电池温度低于约10°C或高于40°C,充电器将不会为电池充电。

电池应留在充电器内,充电器会在电池温度升高或降低到合适温度时自动开始充电。

注意:为确保锂离子电池包能实现最高性能,延长使用寿命,请在首次使用前为电池包充满电。

- 先将充电器(6)插入适合的插座,然后再插入电池包(4)。
- 绿色充电指示灯(6A)持续闪烁,表示开始充电。
- 绿色充电指示灯(6A)常亮,表示充电完成。电池包(4)已充满电,可以取下使用,也可以留在充电器上(6)。
- 请在一周内对已放电的电池充电。如果电池长期处于放电状态,那么电池寿命将大大缩短。

充电器的LED灯模式

	充电中: 绿色LED闪烁	
	充电完成: 绿色LED常亮	
	高温/低温电池包延迟: 绿色LED闪烁 红色LED常亮	

注意:兼容充电器不会对故障电池包充电。充电器的指示灯不会亮起,表示电池包存在故障。

注意:这可能也表示充电器有问题。如果充电器显示有问题,请将充电器和电池包送到授权服务中心接受检测。

将电池留在充电器内

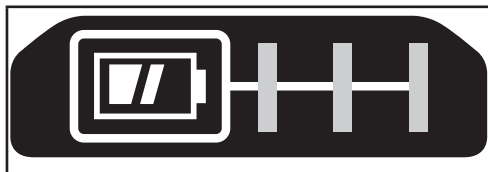
可以让充电器和电池包保持连通状态,LED持续闪烁。充电器将保持其中的电池包始终处于充满电量的状态。

高温/低温电池包延迟:

如果充电器检测到电池的温度过高或过低,充电器就会自动启动高温/低温电池包延迟,绿色LED(6a)将闪烁,同时红色LED(6b)将常亮,充电暂停,等待电池恢复到适当温度。之后,充电器会自动切换到电池包充电模式。这个特色功能可以最大限度地延长电池寿命。

电池充电状态指示灯(图B)

如图B所示,电池上有一个电量状态指示灯,能够快速确定电池寿命。按下电量状态按钮(6a),您就能查看电池中的剩余电量,如图B所示。



在工具上安装和拆除电池包



警告!先按下锁定按钮,防止触发开关,然后再拆除或安装电池。

安装电池包(图C)

- 如图C所示,将电池包插入工具,直至听见“咔哒”一声。确保电池包安装并锁定到位。

拆除电池包(图D)

- 如图D所示,按下电池释放按钮(4b)并将电池包从工具中取出。

安全带挂钩(可选附件)(图E)



警告!为降低严重人员受伤的风险,请让前进/后退按钮置于锁定位置,或关闭工具并取下电池包,然后再进行任何调整或拆除/安装附件或配件。意外启动可能会造成伤害。



警告!为降低严重人员受伤的风险,请确保固定安全带挂钩的螺栓(8)足够紧固。

注意:如要安装或更换安全带挂钩(7),只可使用工具提供的螺栓(8)。确保牢牢紧固螺栓。

如需拆除存放挂钩,请拆除固定该挂钩(7)的螺丝(8)。

要安装存放挂钩(7),可仅使用产品随附的螺丝(8)将挂钩滑入工具任一侧的槽(9)中,以方便惯用左手或右手的用户使用。如无需挂钩,则可将其从工具上拆下。

注意:有多种墙壁导轨挂钩和存放配置。

请访问网站www.stanley.eu/3,了解更多信息。

组装



警告!在组装前,先拆除工具中的电池,确保锯片已停止运行。用过的锯片可能很烫。

安装锯片(图F)

- 让工具远离身体。
- 按照图F所示方向转动锯片夹紧环(5)。
- 插入锯片的长柄(10)完全插入锯片夹紧环(5)。
- 释放锯片夹紧环(5),锁定锯片。

注意:安装锯片时,让锯齿向上,协助平切。

拆除锯片





警告!灼烧危险:请勿在使用锯片后立即触碰锯片。此时触碰锯片可能会使人员受伤。

- 将锯片夹紧环(5)转动到释放位置。
- 拆除锯片(10)。

锁闭开关

该工具带有开关锁闭功能,可预防工具意外运行。

- 锁定:将锁闭按钮(2)推到锁定位置 .
- 解锁:将锁闭按钮(2)推到解锁位置 .

开启和关闭

变速开关为您提供多种速度选项,可大大提高工具在各种材料上的切割速度。

- 按下变速开关(1),打开工具。
- 松开变速开关(1),关闭工具。

锯切

- 务必用双手握持该工具。
- 先让锯片空转几秒钟,然后再开始切割。
- 在切割时,向工具稍稍施加适当压力。
- 如果可能,将底座(3)抵住工件进行作业。这将提升对工具的控制,减少振动,并防止锯片受损。

最佳使用提示

锯切木材

- 将工件牢固固定,并清除其中的所有钉子和金属物件。
- 双手握住工具,并将底座(3)抵住工件进行作业。

平切

往复锯电机外壳采用紧凑设计,同时还有旋转底座,这让该工具可以对地板、拐角和其他难以处理的区域进行近距离切割。为最大限度地提升平切能力:

- 将锯片长柄插入锯片夹,并让锯齿朝上。
- 调整工具上手柄的角度,让您能够尽可能地贴近作业表面。

锯切金属

注意,锯切金属的耗时要长于锯切木材。

- 使用适合锯切金属的锯片。用细齿锯片锯切黑色金属,用粗齿锯片锯切有色金属。
- 在锯切薄金属片时,先将一块木头夹在工件背面,然后切开这个夹层。
- 沿着预定的切割线涂一层油膜。

木材的槽型面加工

- 对要求进行的槽型面加工进行测量并标记。
- 选用适合槽型面加工的锯片。
- 将底座(3)放在工件上,要让锯片为槽型面加工形成适当夹角。
- 打开工具,然后缓慢地将锯片切入工件。确保底座(3)与工件始终保持接触。

切割树枝

直径达25 mm的树枝可以用该工具切割。



警告!当您在树上、梯子上或任何其他不稳定表面上时,请勿使用该工具。请注意树枝将要掉落的区域。

- 请向下切割并让工具远离自己。
- 让切口靠近主枝或树干。

垂直切割

该工具可以让您对付拐角和其他难以处理的区域进行近距离切割。

- 将锯片长柄插入锯片夹,并让锯齿朝上。
- 握住工具,让底座(3)面朝下,让您能够尽可能地贴近作业表面。
- 请向前切割并让工具远离自己。

配件

您工具的性能取决于所用的配件。STANLEY FATMAX配件均依照高品质的标准制造，被设计用于增强您工具的性能。您可以通过使用这些配件让工具获得最佳表现。

锯片

该往复锯可以安装最长30 cm的锯片。务必使用适合您项目的最短锯片，但锯片的长度也要足以切入材料。较长的锯片在使用中容易弯折或受损。在操作中，如果锯片没有始终与工件保持接触，那么一些较长的锯片可能会震动或颤抖。

维护

您的STANLEY FATMAX 工具可长期使用，只需稍做保养即可。若要持续令人满意的工作效果，则需对工具进行适当的保养和定期清洁。

除定期清洁外，您的充电器无需任何维护。



警告!在对工具进行任何维护前，请先拆卸其中的电池。先拔下充电器，然后再进行清洁。

- 用软刷或干布定期清洁工具和充电器的通风槽。
- 定期使用湿布清洁电机外壳。
- 请勿使用任何研磨性或溶剂型清洁剂。
- 定期打开卡盘并轻拍，清除内部灰尘。

保护环境



分类回收。带有此符号标记的产品与电池不得与普通家庭垃圾一起处理。

产品和电池包含可恢复或回收的材料，从而降低对原材料的需求。请根据当地规定回收电气产品和电池。更多信息，请访问www.2helpU.com。

技术参数

		SCR300
输入电压	V_{DC}	18V (20V MAX)
空载转速	Min^{-1}	0 - 3 000
冲程长度	mm	25.4
重量	kg	1.7

充电器		SC125	SC200	SC400 SC401
输入电压	V_{AC}	220-240	220-240	220-240
输出电压	V_{DC}	18V (20V MAX)	18V (20V MAX)	18V (20V MAX)
电流	A	1.25	2	4

电池		SB201	SB202	SB204	SB206
电压	V_{DC}	18V (20V MAX)	18V (20V MAX)	18V (20V MAX)	18V (20V MAX)
容量	Ah	1.5	2.0	4.0	6.0
类型		Li-Ion	Li-Ion	Li-Ion	Li-Ion

服务信息

STANLEY FATMAX提供覆盖范围广泛的公司隶属和授权服务地点。所有STANLEY FATMAX 服务中心都具有训练有素的人员，为客户提供高效和可靠的电动工具服务。有关授权服务中心的详情，或若您需要技术建议、维修或原厂替换部件，请联系最靠近您的STANLEY FATMAX 地点或访问www.stanleytools.com。

制造商: 史丹利五金工具(上海)有限公司

制造商地址: 中国(上海)自由贸易试验区美盛路263号

产地: 江苏苏州

設計用途

您的STANLEY FATMAX SCR300單刀鋸被設計用於鋸切木材、塑料和金屬板。該工具適用於專業用戶，同時也適合私人、非專業用戶使用。

安全說明

電動工具一般安全警告



警告！閱讀隨該電動工具提供的所有安全警告、說明、圖解和規定。如不遵守以下任何警告和說明，可能會導致觸電、火災和/或嚴重傷害。

保存所有警告和說明書以備今後查閱。

以下所有警告中列出的“電動工具”指的是電驅動（有線）電動工具或電池驅動（無線）電動工具。

1. 工作場地安全

- 請保持工作場地清潔明亮。混亂或黑暗的場地會引發事故。
- 請勿在易爆環境，如有易燃液體、氣體或粉塵的環境中操作電動工具。電動工具產生的火花可能會引燃粉塵或煙霧。
- 請等待兒童和旁觀者離開之後才操縱電動工具。分心會導致你疏於控制。

2. 電氣安全

- 電動工具插頭必須與插座相符。切勿以任何方式改裝插頭。需接地的電動工具不能使用任何配接器插頭。使用未經改裝的插頭與相符的插座可降低觸電風險。
- 避免人體接觸接地表面，如管道、散熱片、爐灶和冰箱。若你的身體接地，會增加觸電的風險。
- 不得將電動工具暴露在雨中或潮濕環境中。水進入電動工具會增加觸電風險。
- 切勿濫用電線。請勿使用電線來搬運、拉動電動工具或拔出插頭。讓電線遠離熱、油、銳邊和活動部件。受損或纏繞的電線會增加觸電風險。
- 若要在戶外使用電動工具，請使用適合戶外使用的延長電線。採用適合室外使用的電線可降低觸電危險。
- 若必須在潮濕環境中操作電動工具，請使用受漏電保護器（RCD）保護的電源供應器。使用RCD可降低觸電風險。

3. 人身安全

- 保持警覺；在操作電動工具時，請留意所執行的操作並按照一般的程式執行。請勿在疲倦或在受到毒品、酒精或藥品的影響時使用電動工具。操作電動工具時，一時的注意力分散可能會導致嚴重人身傷害。
- 使用個人防護裝置。始終佩戴護目裝置。防護設備（例如在適當條件下使用的防塵面具、防滑安全鞋、安全帽或聽力保護裝置）可減少人身傷害。
- 避免意外啟動。連接電源及/或電池組、舉抬或搬運電動工具之前，請確定開關處於關閉位置。若搬運電動工具時將手指放在開關上，或者在電動工具開關啟動時將插頭插入電源插座，這兩種行為都會引發事故。
- 啟動電動工具之前，請卸下所有的調整鑰匙或扳手。遺留在電動工具旋轉部件上的扳手或鑰匙會導致人身傷害。

- 不要過度伸張雙手。時刻注意腳下與身體的平衡。如此可在意外情況下更好地控制電動工具。
- 適當穿著。請勿穿寬鬆衣服或佩戴飾品。讓你的頭髮、衣服和手套遠離活動部件。寬鬆衣服、佩飾或長髮可能會捲入活動部件中。
- 若配備用於連接排屑裝置、集塵設備的裝置，請確定正確連接和使用這些裝置。使用集塵設備可減少與粉塵有關的危險。
- 請勿因頻繁使用而對工具特別熟悉，讓你變得自滿而忽略工具的安全原則。粗心操作可以在片刻間造成嚴重傷害。

4. 電動工具的使用與注意事項

- 請勿超負荷使用電動工具。請根據你的應用使用正確的電動工具。若使用的電動工具正確無誤，該工具能以設計額定值更有效、更安全地執行工作。
- 若開關不能開啟或關閉電源，切勿使用該電動工具。若開關無法控制電動工具，則電動工具存在危險，必須予以維修。
- 在執行任何調整、更換配件或儲存工具之前，必須從電源上拔掉插頭及/或卸下電池組。此類防護性安全措施可降低電動工具意外啟動的風險。
- 將閒置的電動工具儲存在兒童無法接觸的地方，並且不要讓不熟悉電動工具或對這些使用指示不瞭解的人員操作電動工具。未經訓練的使用者操作電動工具會發生危險。
- 維護電動工具。檢查活動部件是否對準或卡住、是否存在任何破損情況，或任何可能影響電動工具運行的其他情況。若有損壞，必須在使用之前修理電動工具。許多事故都是由於電動工具欠缺維護所導致。
- 保持切削工具鋒利和清潔。妥善維護、刀刀鋒利的刀具卡住的可能性更低，更易於控制。
- 使用電動工具、配件和工具刀頭時，請遵循這些指示使用，且指示須包含工作環境和所要執行工作的注意事項。若使用電動工具執行與設計用途不相符的操作，會導致危險。
- 手柄和抓握表面都應保持乾燥、清潔及遠離油脂。光滑手柄和抓握表面不便在意外情況下對工具進行安全處理與控制。

5. 電池工具的使用與注意事項

- 只能使用製造廠商指定的充電器為電池充電。使用僅適合一種電池組的充電器為其他類型的電池組充電會導致火災危險。
- 請使用原廠的電動工具電池組。使用其他非原廠的電池組會導致人身傷害和火災危險。
- 不使用電池組時，請將其遠離如迴紋針、硬幣、鑰匙、釘子、螺絲以及其他可連通電池兩極的金屬物品。將電池兩極短路會導致灼傷或火災。
- 濫用電池的情況下，液體會從電池中噴出；避免與液體接觸。若不小心接觸液體，請用清水沖洗。若液體噴濺到眼睛上，沖洗之後還應進行治療。從電池噴出的液體會刺激皮膚或造成灼傷。
- 請勿使用已經損壞或改動的電池組或工具。損壞或改動的電池可能表現出不可預計的行為，導致火災、爆炸或傷害風險。
- 請勿讓電池組或工具暴露於火中或過高溫度的環境中。暴露於火中或溫度超過130°C的環境中可能導致爆炸。

- g. 請遵循所有充電說明，請勿在說明中規定的溫度範圍以外的環境對電池組或工具充電。不當或在指定範圍以外的溫度下充電，可能導致電池損壞並增加火災風險。

6. 檢修

- a. 電動工具之修理，僅可由認證的技術人員執行。請勿交由非STANLEY認證服務中心的技術人員進行修理、維護、調整。若產品經由非STANLEY認證的維修中心拆解、組裝、調整，恕無法適用STANLEY保條條款。為充份發揮其功能，修理、維護、調整請務必使用原廠零件。STANLEY認證服務中心擁有保條條款解釋權。
- b. 切勿維修損毀的電池組。電池組的維修應僅由製造商或授權服務提供商執行。

針對手持鋸的附加安全警告

- 如果操作中，切削配件或緊固件可能觸及暗線或工具上的電線，則要握住電動工具的絕緣握持面。切削配件如果接觸到“帶電”導線，電動工具金屬部件表面就會“帶電”，從而讓操作人員觸電。
- 請使用夾具或採取其他可行的方法，把工件牢牢地固定在穩定的平臺上。手持或用身體頂住工件都是不穩定的，會導致操作失控。
- 請讓雙手遠離切割區域。不要因為任何理由將手伸到工件下方。不可將手指或大拇指塞到轉動鋸片和鋸片夾的附近區域。不得通過緊握底座來穩定線鋸機。
- 保持鋸片鋒利。鈍化或受損的鋸片可能會讓線鋸機在壓力下突然轉向或停滯。務必根據工件材料來選用適當的鋸片類型或切割類型。
- 如需切割管道或導管，請確保管中沒有水、電線等。
- 請勿在運行工具後，用手觸碰工件或鋸片。它們可能會發燙。
- 在牆面、地板或天花板上切割之前，請檢查電線和管道位置，注意隱藏的危險。
- 在鬆開開關後，鋸片會一直移動。務必先關閉工具，等待鋸片完全停止，然後再放下工具。



警告！在實際使用該電動工具時的振動發射值可能會不同於設定值，這取決於使用該工具的方式。振動水準可能會高於該工具聲稱的水準。

- 該說明書介紹了這款工具的目的用途。搭配使用任何配件或附件，或用這款工具進行本說明書中目的用途以外的任何操作，可能存在人員受傷和/或財產損失的風險。

他人安全

- 生理、感覺或心理機能不健全的人員（包括兒童）或缺乏經驗及知識的人員，除非由負責其安全的人員提供有關使用此器具的監督或指示，否則不得使用本工具。
- 必須對兒童進行監督，以確保其不會玩耍本工具。

剩餘風險

使用本工具時，可能會出現隨附安全警告中所不包括的其他剩餘風險。誤用、長時間使用工具等因素會導致這些風險。即使遵循相關安全規定並採用安全裝置，仍然無法避免某些剩餘風險。此類風險包括：

- 接觸旋轉/活動部件引起的傷害。
- 變更任何零件、刀片或配件時引起的傷害。
- 長時間使用工具引起的傷害。若長時間使用工具，請確保定時休息。
- 聽力受損。
- 吸入使用工具時產生的粉塵引起的健康危害（譬如：在木材上使用時，尤其是樺木、山毛櫸和中密度纖維板（MDF））。

工具上的標籤

本工具顯示下列符號和日期碼：

	警告！為降低傷害風險，請用戶在使用前閱讀使用手冊。		
	佩戴安全眼鏡或護目鏡。		
	請佩戴聽力保護器。		
	佩戴防塵口罩。		
V	伏特	===	直流電
A	安培	n ₀	空載轉速
Hz	赫茲		II級構造
W	瓦特		接地端子
min	分鐘		安全警示符號
	交流電	/min.	每分鐘轉速

日期碼的位置

包含製造年份的日期，打印在工具外殼上。

示例：

2024 XX JN
製造年份 週數 號碼

針對電池和充電器的額外安全說明（未隨工具一同提供）

電池

- 不得以任何理由嘗試拆開電池組。
- 請勿讓電池暴露在水中。
- 請勿存放在溫度超過40°C的環境中。
- 僅在溫度10°C到40°C之間的環境中充電。
- 僅用隨工具一同提供的充電器充電。
- 在處理電池時，請遵循“保護環境”部分的說明進行操作。

充電器

- 僅用您的STANLEY FATMAX充電器為隨工具一同提供的電池充電。其它電池可能會引起爆裂，並導致人身傷害和損害。
- 不得試圖為不可充電的電池充電。

- 應立即更換有缺陷的電線。
- 請勿讓充電器接觸到水。
- 請勿拆開充電器。



本工具僅供室內使用。



請在使用前請閱讀使用手冊。



請勿試圖對損壞的電池充電。

電氣安全



您的充電器是雙層絕緣；因此無需接電線。請務必檢查電源電壓是否和銘牌上的電壓一致。不得試圖用常規電源插座替換充電器。

- 如果電線損壞，必須由產商或授權STANLEY FATMAX服務中心負責更換，避免出現危險。

功能部件

本工具包括以下部分或全部功能部件。

1. 變速開關
2. 鎖閉開關
3. 底座
4. 電池(包裝未拆)
5. 鋸片夾緊環

使用



警告!讓工具按照自己的節奏運行。請勿超載。

為電池充電 (圖 A)

在首次使用前，以及在電池不能提供順利完成工作所需的電力時，需要為電池充電。電池在充電時可能會發熱；這是正常現象，並非出現問題。



警告!請勿在溫度低於10°C或高於40°C的環境中為電池充電。建議充電溫度為：約24°C。

注意:如果電池溫度低於10°C或高於40°C，則充電器不會為電池充電。







應將電池留在充電器中，當電池溫度回升或冷卻後，充電器將自動為電池充電。

注意:為確保實現最高性能，最大限度地延長鋰離子電池的使用壽命，請在初次使用前，先為電池組充滿電量。

- 將充電器 (6) 插入適當的插座中，然後再插入電池組 (4)。
- 綠色充電指示燈 (6a) 會持續閃爍，表示充電已經開始。
- 綠色充電指示燈 (6a) 持續常亮，表示充電完成。電池組 (4) 電量已充滿，可以取出使用，也可以將其留在充電器內 (6)。
- 在電池用完電量後，建議馬上充電，鋰電池請勿過度放電，電力過度耗竭會導致鋰電池損壞。如果將電量耗盡的電池存放起來，將會極大縮短電池的壽命。
- 請將電池從機身卸下分開存放，若長時間未使用電池(1年以上)，請每6個月為電池充電一次，以確保電池壽命。

- 當主機突然停止動作，或無法輕鬆完成以往的作業量時，請馬上充電。

充電器的LED模式

	充電中: 綠色LED間歇亮起	
	電量已充滿 綠色LED常亮	
	熱/冷電池組延遲: 綠色LED間歇亮起 紅色LED常亮	

注意:此兼容充電器不能為故障的電池組充電。充電器指示燈不亮時表示電池組有故障。

注意:這也可能意味着充電器有故障。如果充電器提示存在故障，請將充電器和電池組送到授權的服務中心進行測試。

將電池留在充電器中。

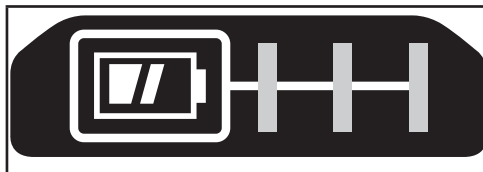
可以讓充電器和電池組始終保持聯通，同時LED會常亮。充電器將讓電池組維持電量剛被充滿的狀態。

熱/冷電池組延遲

當充電器檢測到電池過熱或過冷，它就會自動開啟熱/冷電池組延遲，綠色LED (6a) 將會閃爍，同時紅色LED (6b) 將常亮，充電將會暫停，直到電池恢復到適當溫度為止。然後，充電器將自動切換到電池組充電模式。該特色功能可以最大程度地延長電池組的使用壽命。

電池電量狀態指示燈 (圖B)

電池組含一個電量狀態指示燈，能夠快速確定電池壽命的情況，如圖B所示。按下電量狀態按鈕 (4a)，您就能輕鬆看到剩餘電量，如圖B所示。



插入或取出工具上的電池組



警告!先確保已按下鎖止按鈕，防止開關啟動，然後再拆除或安裝電池。

如需安裝電池組 (圖C)

- 將電池組插入工具，直至聽見啞聲為止，如圖C所示。確保電池組已被牢固安裝並鎖定位。

如需拆除電池組(圖D)

- 按下電池釋放按鈕(4b)，如圖D所示，並將電池組從工具中拉出。

皮帶鉤(額外可選物件)(圖E)



警告!為降低造成嚴重人身傷害的風險，在進行任何調整或拆卸/安裝附件或配件前，請關閉工具並拆除電池組。意外啟動可能會導致人身傷害。



警告!為降低嚴重人員受傷的風險，請確保固定安全帶掛鉤的螺栓(8)足夠緊固。

注意:如需安裝或更換安全帶掛鉤(7)，只可使用工具提供的螺栓(8)。確保牢牢緊固螺栓。

如需拆除安全帶掛鉤，請拆除固定安全帶掛鉤(7)的螺栓(8)。如需安裝存放掛鉤(7)，可僅使用產品隨附的螺絲(8)將掛鉤滑入工具任一側的槽(9)中，以便慣用左手或右手的用戶使用。如無需掛鉤，則可將其從工具上拆下。

注意:有多種牆壁導軌掛鉤和存放配置。

請訪問網站www.stanley.eu/3，瞭解更多資訊。

組裝



警告!在組裝前，先拆除工具中的電池，確保鋸片已停止運行。用過的鋸片可能很燙。

安裝鋸片(圖F)

- 讓工具遠離身體。
- 按照圖F所示方向轉動鋸片夾緊環(5)。
- 插入鋸片的長柄(10)完全插入鋸片夾緊環(5)。
- 釋放鋸片夾緊環(5)，鎖定鋸片。

注意:安裝鋸片時，讓鋸齒向上，協助平切。

拆除鋸片





警告!灼燒危險：請勿在使用鋸片後立即觸碰鋸片。此時觸碰鋸片可能會使人員受傷。

- 將鋸片夾緊環(5)轉動到釋放位置。
- 拆除鋸片(10)。

鎖閉開關

該工具帶有開鎖閉功能，可預防工具意外運行。

- 鎖定：將鎖閉按鈕(2)推到鎖定位置 。
- 解鎖：將鎖閉按鈕(2)推到解鎖位置 。

開啟和關閉

變速開關為您提供多種速度選項，可大大提高工具在各種材料上的切割速度。

- 按下變速開關(1)，打開工具。
- 鬆開變速開關(1)，關閉工具。

鋸切

- 務必用雙手握持該工具。
- 先讓鋸片空轉幾秒鐘，然後再開始切割。
- 在切割時，向工具稍稍施加適當壓力。

- 如果可能，將底座(3)抵住工件進行作業。這將提升對工具的控制，減少振動，並防止鋸片受損。

最佳使用提示

鋸切木材

- 將工件牢固固定，並清除其中的所有釘子和金屬物件。
- 雙手握住工具，並將底座(3)抵住工件進行作業。

平切

往復鋸電機外殼採用緊湊設計，同時還有旋轉底座，這讓該工具可以對地板、拐角和其他難以處理的區域進行近距離切割。

為最大限度地提升平切能力：

- 將鋸片長柄插入鋸片夾，並讓鋸齒朝上。
- 調整工具上手柄的角度，讓您能夠盡可能地貼近作業表面。

鋸切金屬

注意，鋸切金屬的耗時要長於鋸切木材。

- 使用適合鋸切金屬的鋸片。用細齒鋸片鋸切黑色金屬，用粗齒鋸片鋸切有色金屬。
- 在鋸切薄金屬片時，先將一塊木頭夾在工件背面，然後切開這個夾層。
- 沿著預定的切割線塗一層油膜。

木材的袋式切割

- 對要求進行的袋式切割進行測量並標記。
- 選用適合袋式切割的鋸片。
- 將底座(3)放在工件上，要讓鋸片為袋式切割形成適當夾角。
- 打開工具，然後緩慢地將鋸片切入工件。確保底座(3)與工件始終保持接觸。

切割樹枝

直徑達25 mm的樹枝可以用該工具切割。



警告!當您在樹上、梯子上或任何其他不穩定表面上時，請勿使用該工具。請注意樹枝將要掉落的區域。

- 請向下切割並讓工具遠離自己。
- 讓切口靠近主枝或樹幹。

垂直切割

該工具可以讓您對拐角和其他難以處理的區域進行近距離切割。

- 將鋸片長柄插入鋸片夾，並讓鋸齒朝上。
- 握住工具，讓底座(3)面朝下，讓您能夠盡可能地貼近作業表面。
- 請向前切割並讓工具遠離自己。

配件

警告!除了由STANLEY提供的配件外，其他附件均未接受過本產品的測試，因此與該工具搭配使用這些配件可能會導致風險。為降低人身傷害風險，本產品只可使用STANLEY推薦的配件。

鋸片

本機可以安裝最長30 cm的鋸片。務必使用適合您項目的最短鋸片，但鋸片的長度也要足以切入材料。較長的鋸片在使用中容易彎折或受損。在操作中，如果鋸片沒有始終與工件保持接觸，那麼一些較長的鋸片可能會震動或顫抖。

維護

您的STANLEY FATMAX工具可長期使用，只需稍做保養即可。如需持續獲得令人滿意的工作效果，需要進行合適的工具維護和定期清潔。

除了定期清潔，您的充電器無需任何維護。



警告! 在對工具進行任何維護前，請從工具上拆除電池。先切斷充電器的電源，然後再進行清潔。

- 用軟刷或乾布定期清潔您工具和充電器的通風槽。
- 定期使用濕布清潔電機外殼。
- 請勿使用任何研磨性或溶劑型清潔劑。
- 定期打開卡盤並輕拍，清除內部灰塵。

保護環境



分類回收由此符號標記的產品和電池不得與普通家庭垃圾一起處理。

產品和電池組合可恢復或回收的材料，從而降低對原材料的需求。請根據當地規定回收電子產品和電池。更多信息，請訪問 www.2helpU.com。

技術參數

		SCR300
輸入電壓	V_{DC}	18V (20V MAX)
空載轉速	Min^{-1}	0 - 3 000
衝程長度	mm	25.4
重量	kg	1.7

維修信息

STANLEY FATMAX提供完整的公司隸屬和授權的維修點網絡。所有STANLEY FATMAX服務中心均擁有經過訓練的人員，為您提供高效可靠的電動工具服務。如需瞭解有關我們授權維修中心的更多信息，而且如需獲得技術建議、維修或原廠更換部件，請聯繫距離您最近的STANLEY FATMAX，或訪問我們的網站

www.stanleytools.com。

總經銷商: 永安實業股份有限公司
地址: 新北市三重區新北大道二段137號
電話: 02-2999-4633

進口/委製廠商: 新加坡商百得電動工具(股)公司台灣分公司
地址: 台北市士林區德行西路33號2樓
電話: 02-2834-1741

용도

STANLEY FATMAX SCR300 왕복톱은 목재, 플라스틱 및 판금 절단 용으로 설계되었습니다. 이 공구는 전문가 및 개인, 비전문 사용자를 위한 것입니다.

안전 지침

일반 안전 경고



경고: 이 전동 공구와 함께 제공되는 모든 안전 경고와 지시사항, 설명 및 사양을 읽으십시오.
아래 설명한 모든 지시 사항을 따르지 않으면 감전, 화재 및/또는 심각한 부상을 초래할 수 있습니다.

항후 참고할 수 있도록 모든 경고 및 지시 사항을 보관해두십시오.
경고에서 사용된 "전동 공구"라는 용어는 주 공급 전원에 의해 전기가 공급되는(유선) 전동 공구 또는 충전식(무선) 전동 공구를 의미합니다.

1. 작업장 안전

- 작업장을 항상 청결하고 밝게 유지하십시오.** 혼잡하거나 어두운 작업장에서는 사고가 발생하기 쉽습니다.
- 가연성 액체, 가스 또는 먼지 등이 있는 폭발성 대기에서 전동 공구를 사용하지 마십시오.** 전동 공구에서 먼지나 가스를 발화시킬 수 있는 불꽃이 될 수 있습니다.
- 전동 공구로 작업하는 동안에는 어린이와 주변 사람들이 작업 영역에 가까이 들어오지 못하도록 하십시오.** 주변이 산만해져 통제력을 잃을 수 있습니다.

2. 전기 안전

- 동공구의 플러그는 콘센트와 형식이 일치해야 하며, 플러그를 어떤 형태로든 개조하지 마십시오.** 또한 접지된 전동공구에 다른 어댑터 플러그를 사용하지 마십시오. 개조되지 않은 플러그 및 형식이 일치하는 콘센트를 사용하면 감전 위험이 줄어듭니다.
- 파이프 판, 라디에이터, 렌지, 냉장고 등의 접지 표면에 물이 닿지 않도록 하십시오.** 몸에 닿을 경우 감전이 될 위험이 높아집니다.
- 전동 공구를 비 또는 습한 환경에 노출하지 않도록 주의하십시오.** 전동 공구에 물이 들어가면 감전 위험이 높아집니다.
- 코드를 함부로 다루지 마십시오.** 코드를 사용하여 전동공구를 운반하거나, 코드를 과도하게 잡아당겨서 플러그를 뽑지 않도록 주의하십시오. 전열코드가 열기 또는 오일과 접촉되는 것을 피하고, 날카로운 모서리 또는 기기의 기동 부위에 닿지 않도록 주의 하십시오. 코드가 손상되거나 얽혀 있으면 감전 위험이 높아집니다.
- 전동 공구를 실외에서 사용할 때는 실외 사용에 적합한 연장 코드를 사용하십시오.** 실외 사용에 적합한 코드를 사용하면 감전 위험이 줄어듭니다.
- 전동공구를 습한 공간에서 사용할 경우, 반드시 누전 차단기를 사용하십시오.** 누전 차단기(RCD)를 사용하면 감전의 위험이 줄어듭니다. RCD를 사용하면 감전 위험이 줄어듭니다.

3. 신체 안전 사항

- 전동 공구로 작업할 때는 방심하지 말고 작업에 주의하면서 상식에 따르십시오.** 피곤한 상태이거나 약물, 술, 치료제를 복용한 상태에서는 전동 공구를 사용하지 마십시오. 전동 공구를 사용하다 잠깐만 한 눈을 팔아도 심각한 부상을 당할 수 있습니다.
 - 신체 보호 장비를 착용하십시오.** 항상 보안경을 착용하십시오. 적합한 상황에서 방진 마스크, 미끄럼 방지 안전화, 안전모 또는 정력 보호 기구 등의 보호 장비를 사용하면 신체 부상 위험이 줄어듭니다.
 - 의도하지 않은 장비 가동 방지.** 전원 및/또는 배터리 팩에 연결한 상태로 공구를 선택 또는 운반할 때는 사전에 스위치가 꺼짐 위치에 있는지 반드시 확인하십시오. 스위치가 꺼짐 위치에 있는 상태에서 스위치에 손가락이 닿은 상태로 전동 공구를 운반하거나 전동 공구에 전원을 공급하면 사고가 발생합니다.
 - 전동 공구를 켜기 전에 모든 조정 키 또는 렌치를 제거하십시오.** 전동 공구의 회전 부품에 렌치나 키가 부착되어 있으면 부상을 당할 수 있습니다.
 - 무리하게 팔을 뻗지 마십시오.** 항상 올바른 자세로 서서 균형을 유지하십시오. 안정된 자세로 작업을 할 경우 전동 공구를 안전하게 사용할 수 있습니다.
 - 절한 의복을 착용하십시오.** 헐렁한 옷이나 장신구를 착용하지 마십시오. 머리카락과 옷이 움직이는 부품에 닿지 않도록 유의하십시오. 헐렁한 옷, 장신구 또는 긴 머리가 움직이는 부품에 걸 수 있습니다.
 - 먼지 배출 및 집진 시설 연결을 위한 장치가 제공된 경우, 이를 장치가 연결되어 적절히 사용되고 있는지 반드시 확인하십시오.** 집진 장치를 사용하면 먼지와 관련된 위험을 줄일 수 있습니다.
 - 장치를 자주 사용함으로써 생긴 익숙함으로 인해 현실에 안주하거나 공구 안전 원칙을 무시하지 않도록 하십시오.** 부주의한 작동은 순식간에 심각한 부상을 야기할 수 있습니다.
- ### 4. 전동 공구 사용 및 관리
- 전동 공구에 무리한 힘을 가하지 마십시오.** 해당 용도에 맞는 올바른 전동 공구를 사용하십시오. 올바른 전동 공구를 사용해야 설계된 속도로 작업을 더욱 안전하고 정확하게 수행할 수 있습니다.
 - 켜지지 않거나 꺼지지 않는 경우 전동 공구를 사용하지 마십시오.** 스위치로 제어되지 않는 전동 공구는 위험하므로 수리해야 합니다.
 - 전동 공구를 조정하거나 액세서리를 변경하거나 보관하기 전에 전동 공구에서 분리되는 경우 전원에서 플러그를 뽑거나 또는 배터리 팩을 분리하십시오.** 이러한 예방적 안전 조치를 따라야 전동 공구가 갑자기 작동할 위험이 줄어듭니다.
 - 사용하지 않는 전동 공구는 어린이의 손이 닿지 않는 곳에 보관하고, 전동 공구나 본 지시 사항에 익숙하지 않은 사람이 전동 공구를 절대 사용하지 못하게 하십시오.** 전동 공구는 훈련을 받지 않은 사용자가 다루면 위험합니다.
 - 전동 공구 및 액세서리 유지 보수.** 움직이는 부품의 잘못된 정렬이나 바인딩, 부품 파손 및 기타 전동 공구의 작동에 영향을 미칠 수 있는 기타 모든 상태를 확인하십시오. 손상된

부분이 있는 경우 사용하기 전에 전동 공구를 수리하십시오. 많은 사고는 전동 공구를 제대로 유지 보수하지 않아 발생합니다.

- f. **공구를 깨끗한 상태로 유지하십시오.** 절삭 가장자리를 예리하게 잘 유지하면 절삭기를 사용할 때 반딩이 적고 다루기가 용이합니다.
- g. **작업 환경과 수행할 작업을 고려하여, 본 지시 사항에 따라 전동 공구, 액세서리 및 톨 비트 등을 사용하십시오.** 본 사용 설명서의 내용과 다른 용도로 전동 공구를 사용하면 위험한 상황이 발생할 수 있습니다.
- h. **핸들과 잡는 표면은 건조하고 깨끗한 상태를 유지하고 오일/기름이 묻지 않도록 하십시오.** 미끄러운 핸들과 잡는 면은 예기치 못한 상황에서 안전한 취급과 공구 관리를 보장하지 않습니다.

5. 배터리 공구 사용 및 주의 사항

- a. **다시 충전할 때는 제조업체에서 지정한 충전기만 사용하십시오.** 하나의 배터리 팩 유형에 적합한 충전기를 다른 배터리 팩과 함께 사용할 경우 화재의 위험이 있습니다.
- b. **전동 공구를 사용할 때는 구체적으로 지정되어 있는 배터리 팩만 사용하십시오.** 다른 배터리 팩을 사용하면 부상을 입거나 화재의 위험이 있습니다.
- c. **배터리 팩을 사용하지 않을 때에는 클립, 동전, 키, 못, 나사 등의 금속 물체나, 단자 간에 연결할 수 있는 작은 금속 물체가 닿지 않도록 멀리 두십시오.** 배터리 단자가 단락되면 화상을 입거나 화재의 위험이 있습니다.
- d. **배터리를 과다 사용하면 액체가 배터리에서 흘러 나올 수 있으므로, 접촉을 피하십시오.** 실수로 접촉한 경우에는 물로 씻으십시오. 액체가 눈에 들어간 경우 치료를 받으십시오. 배터리에서 나온 액체는 통증을 유발하거나 화상을 입힐 수 있습니다.
- e. **손상되거나 변경된 배터리 팩 또는 공구를 사용하지 마십시오.** 손상되거나 개조된 배터리는 예측할 수 없는 작용을 보여, 화재, 폭발 또는 부상 위험을 야기할 수 있습니다.
- f. **배터리 팩 또는 공구를 불이나 과도한 온도에 노출하지 마십시오.** 불 또는 130 °C 이상의 온도에 노출되면 폭발할 수 있습니다.
- g. **모든 충전 지침을 따르고 배터리 팩 또는 공구를 설명서에 지정된 범위 밖의 온도에서 충전하지 마십시오.** 적절하지 않게 충전하거나 지정된 범위 밖의 온도에서 충전하면 배터리가 손상되어 화재 위험이 증가될 수 있습니다.

6. 정비

- a. **자격을 갖춘 기술자가 동일 교체 부품을 사용하여 정비 작업을 수행해야 합니다.** 그래야 전동 공구의 안전이 보장됩니다.
- b. **손상된 배터리 팩을 정비하지 마십시오.** 배터리 팩은 제조업체 또는 공인 서비스 공급업체를 통해서만 점검을 받아야 합니다.

후대용 쏘에 대한 추가 안전 경고

- **절단 액세서리가 숨겨진 배선과 접촉할 수 있는 작업을 수행할 때는 절연 그림 표면으로 전동 공구를 잡으십시오.** "전기가 통하는" 전선과 접촉하는 절단 액세서리는 전동 공구의 노출 된 금속 부분을 "통전"시켜 작업자가 감전될 수 있습니다.

- **클램프 또는 다른 실용적인 방법을 사용하여 공작물을 안정된 플랫폼에 고정하고 지지하십시오.** 공작물을 손으로 잡거나 몸에 대고 있으면 작업이 불안정해지고 통제력을 상실 할 수 있습니다.
- **절단 영역에서 손을 멀리하십시오.** 어떤 이유로 든 공작물 아래에 절대로 접근하지 마십시오. 완복 블레이드 및 블레이드 클램프 근처에 손가락이나 엄지 손가락을 넣지 마십시오. 쏘를 잡고 톨을 고정하지 마십시오.
- **날을 날카롭게 유지하십시오.** 무디거나 손상된 날은 톨이 압력을 받으면 휘거나 멈출 수 있습니다. 항상 공작물 재료 및 절단 유형에 적합한 유형의 톨날을 사용하십시오.
- **파이프 또는 도관을 절단할 때 물, 전기 배선 등이 없는지 확인하십시오.**
- **공구를 작동한 직후에 공작물이나 날을 만지지 마십시오.** 매우 뜨거워질 수 있습니다.
- **숨겨진 위험에 주의하고 벽, 바닥 또는 천장을 절단하기 전에 배선 및 파이프의 위치를 확인하십시오.**
- **블레이드는 스위치를 놓은 후에도 계속 움직입니다.** 공구를 내려 놓기 전에 항상 공구를 끄고 톨날이 완전히 멈출때까지 기다리십시오.



경고! 전동 공구를 실제로 사용하는 동안 발생하는 진동 값은 공구를 사용하는 방법에 따라 신고 된 값과 다를 수 있습니다. 진동 수준은 명시된 수준 이상으로 증가할 수 있습니다.

- 사용 목적은 이 사용 설명서에 설명되어 있습니다. 이 사용 설명서에서 권장하는 것 이외의 액세서리나 부착물을 사용하거나 이 공구로 작업을 수행하면 부상 및/또는 재산 피해의 위험이 있습니다.

타인의 안전

- 이 기기는 안전을 책임지는 사람이 기기 사용에 대해 감독하거나 지시하지 않는 한 신체적, 감각적 또는 정신적 능력이 약하거나 경험과 지식이 부족한 사람(어린이 포함)이 사용하도록 설계되지 않았습니다.
- 어린이가 기기를 가지고 놀지 않도록 감독해야 합니다.

기타 발생 가능한 위험

기기를 사용할 때 동봉된 안전 경고에 포함되어 있지 않은 기타 발생 가능한 위험들이 발생할 수 있습니다. 이러한 위험은 오용, 장시간 사용 등으로 인해 발생할 수 있습니다.

관련된 안전 규정을 준수하고 안전 장치를 사용한다고 해도 어떤 위험들은 피하지 못할 수도 있습니다. 이러한 위험으로는 다음과 같은 것들이 있습니다.

- 회전 부품이나 작동 부품을 만져 발생하는 부상.
- 부품, 톨날 또는 액세서리 변경으로 인한 부상.
- 장시간에 걸친 기기 사용으로 인한 부상. 어떤 기기이든 장시간에 걸쳐 사용할 때는 반드시 정기적인 휴식을 취하십시오.
- 청력 손상.
- 기기 사용 중에 발생하는 먼지를 호흡하여 유발되는 건강 위해성 (예: 목재, 특히 오크, 너도밤나무 및 MDF 가공 작업).

공구 라벨

공구에 장착된 라벨에 다음 기호가 사용됩니다.

	경고! 부상 위험을 줄이려면 사용자는 사용 전에 사용 설명서를 주의 깊게 읽어야 합니다.		
	항상 보호 안경 또는 고글을 착용하십시오.		
	귀 보호 장구를 착용하십시오.		
	방진 마스크를 착용하십시오.		
V	볼트		직류
A	암페어	n_0	평가 속도
Hz	헤르츠		클래스 II 건설 산업용
W	와트		접지 단차
min	분		안전 경고 기호
	교류 전류	/min.	분당 회전 또는 왕복 수

데이터 코드 위치

날짜 코드에는 제조년도도 포함되어 케이스에 인쇄되어 있습니다. 예:

2024 XX JN
제조년도

배터리 및 충전기에 대한 추가 안전 지침 (공구와 함께 제공되지 않음)

배터리

- 어떤 이유로든 열지 마십시오.
- 배터리를 물에 노출시키지 마십시오.
- 온도가 40 °C를 초과할 수 있는 장소에 보관하지 마십시오.
- 주변 온도가 10 °C ~ 40 °C 인 경우에만 충전하십시오.
- 공구와 함께 제공된 충전기 만 사용하여 충전하십시오.
- 배터리를 폐기할 때는 "환경 보호"섹션의 지침을 따르십시오.

충전기

- STANLEY FATMAX 충전기는 제공된 도구로 배터리를 충전하는 데만 사용하십시오. 다른 배터리는 파열되어 부상을 입거나 손상될 수 있습니다.
- 비 충전식 배터리를 충전하지 마십시오.
- 결함이 있는 코드는 즉시 교체하십시오.
- 충전기를 물에 노출시키지 마십시오.
- 충전기를 열지 마십시오.
- 충전기를 조사하지 마십시오.



충전기는 실내 전용입니다.



사용하기 전에 사용 설명서를 읽으십시오.



손상된 배터리를 충전하지 마십시오

전기 안전



충전기는 특정 전압에 맞게 설계되었습니다. 전원 전압이 명판의 전압과 일치하는지 항상 확인하십시오. 충전기를 일반 전원 플러그로 교체하지 마십시오.

- ◆ 전원 코드가 손상된 경우 위험을 피하기 위해 제조업체 또는 공인 된 STANLEY FATMAX 서비스 센터에서 교체해야 합니다.

기능

이 공구에는 다음 기능 중 일부 또는 모두가 포함되어 있습니다.

- 가변 속도 스위치
- 잠금 해제 버튼
- 슈
- 배터리
- 블레이드 클램프 칼라

사용



경고! 공구가 자체 속도로 작동하도록하십시오. 과부하하지 마십시오.

배터리 충전 (그림 A)

배터리는 처음 사용하기 전과 이전에 쉽게 수행했던 작업에서 충분한 전력을 공급하지 못할 때마다 충전해야 합니다. 충전하는 동안 배터리가 따뜻해질 수 있습니다. 이것은 정상적인 현상이며 문제를 나타내는 것이 아닙니다.



경고! 주변 온도가 10 °C 이하 또는 40 °C 이상인 장소에서는 배터리를 충전하지 마십시오. 권장 충전 온도 : 약 24 °C.

참고: 배터리 온도가 약 10 °C 이하이거나 40 °C 이상이면 충전기가 배터리를 충전하지 않습니다.

배터리는 충전기에 그대로 두어야 하며 셀 온도가 예열되거나 냉각되면 충전기가 자동으로 충전되기 시작합니다.

참고: 리튬 이온 배터리 팩의 최대 성능과 수명을 보장하려면 처음 사용하기 전에 배터리 팩을 완전히 충전하십시오.

- 배터리 팩 (6) 을 삽입하기 전에 충전기 (4) 를 적절한 콘센트에 꽂으십시오.
- 녹색 충전 표시등 (6a) 이 계속 깜빡이면 충전 프로세스가 시작되었음을 나타냅니다.
- 충전이 완료되면 녹색 충전 표시등 (6a) 이 계속 켜져 있습니다. 배터리 팩 (4) 은 완전히 충전되었으며 이때 분리하여 사용하거나 충전기 (6) 에 그대로 둘 수 있습니다.
- 방전 된 배터리는 1 주일 이내에 충전하십시오. 방전 된 상태로 보관하면 배터리 수명이 크게 줄어듭니다

충전기 LED 모드

	충전 중: 녹색 LED 간헐적	
	완전 충전: 녹색 LED 켜짐	
	핫 / 콜드 팩 지연: 녹색 LED 간헐적 빨간색 LED 점등	

참고: 호환되는 충전기는 결함이 있는 배터리 팩을 충전하지 않습니다. 충전기는 점등되지 않으므로써 배터리 팩에 결함이 있음을 나타냅니다.

참고: 이것은 또한 충전기 문제를 의미할 수도 있습니다. 충전기에 문제가 있는 것으로 나타내면 충전기와 배터리 팩을 가지고 공인 서비스 센터에서 테스트를 받으십시오.

충전기에 배터리 보관

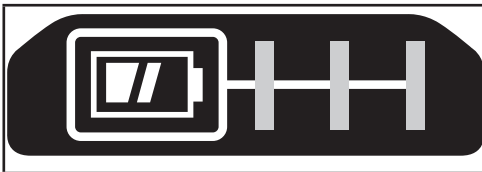
충전기와 배터리 팩은 LED 표시등이 점등된 상태로 연결되어 있을 수 있습니다. 충전기는 배터리 팩을 완전히 충전 된 상태로 유지합니다.

핫 / 콜드 팩 딜레이

충전기가 배터리가 너무 뜨겁거나 너무 차가움을 감지하면 자동으로 핫 / 콜드 팩 딜레이를 시작하고 녹색 LED (6a) 표시등이 간헐적으로 깜박이고 빨간색 LED (6b) 표시등이 계속 켜져 있습니다. 그러면 충전기가 자동으로 팩 충전 모드로 전환됩니다. 이 기능은 최대 배터리 수명을 보장합니다.

배터리 충전 상태 표시기 (그림 B)

배터리에는 그림 B와 같이 배터리 수명 범위를 빠르게 확인할 수 있는 충전 상태 표시기가 포함되어 있습니다. 충전 상태 버튼(4a)을 누르면 그림 B와 같이 배터리의 잔량을 쉽게 확인할 수 있습니다.



공구에서 배터리 팩 설치 및 제거



경고! 배터리를 제거하거나 설치하기 전에 스위치 작동을 방지하기 위해 잠금 해제 버튼이 잠겨 있는지 확인하십시오.

배터리 팩을 설치하려면 (그림 C)

- 그림 C와 같이 딸깍 소리가 날 때까지 배터리 팩을 공구에 단단히 삽입하십시오. 배터리 팩이 완전히 장착되고 제자리에 완전히 고정되었는지 확인하십시오.

배터리 팩을 제거하려면 (그림 D)

- 그림 D와 같이 배터리 해제 버튼(4b)을 누르고 배터리 팩을 공구에서 빼냅니다.

보관용 후크 (추가 옵션) (그림 E)



경고! 심각한 부상의 위험을 줄이려면 전진 / 후진 버튼을 잠금 해제 위치에 두거나 도구를 끄고 부착물 또는 액세서리를 제거 / 설치하기 전에 배터리 팩을 분리하십시오. 실수로 작동하면 부상을 입을 수 있습니다.



경고! 심각한 부상의 위험을 줄이려면 벨트 후크를 고정하는 나사 (8) 가 단단히 고정되었는지 확인하십시오.

참고: 벨트 후크 (7)를 부착하거나 교체할 때는 제공된 나사 (8) 만 사용하십시오. 나사를 단단히 조이십시오.

벨트 후크를 이동하려면 벨트 후크 (7)를 제자리에 고정하는 나사 (8)를.

보관용 고리 (7)는 제공된 나사(8) 만 사용하여 공구의 양쪽에 있는 슬롯(9)에 후크를 밀어 부착하여 왼손잡이 또는 오른 손잡이 사용자를 수용할 수 있습니다. 후크가 전혀 필요하지 않은 경우 공구에서 제거할 수 있습니다.

참고: 다양한 트랙 월 후크 및 스토리지 구성을 사용할 수 있습니다. 자세한 내용은 당사 웹 사이트 www.stanley.eu/3를 방문하십시오.

어셈블리



경고! 조립하기 전에 공구에서 배터리를 제거하고 톱날이 멈춘는지 확인하십시오. 사용한 톱날은 뜨거울 수 있습니다.

톱날 장착 (그림 F)

- 공구를 몸에서 멀리하십시오
- 블레이드 클램프 칼라 (5)를 그림 F에 표시된 방향으로 돌립니다.
- 블레이드 (10)의 생크를 블레이드 클램프 칼라 (5)에 완전히 삽입합니다.
- 블레이드 클램프 칼라 (5)를 풀어 블레이드를 제자리에 고정합니다.

참고: 날은 플러시 절단을 돕기 위해 톱니를 위로 하여 설치할 수 있습니다.

톱날 제거



경고! 화상 위험 : 사용 후 바로 칼날을 만지지 마십시오. 칼날에 닿으면 부상을 입을 수 있습니다.

- 블레이드 클램프 칼라 (5)를 해제 위치로 돌립니다
- 블레이드 제거 (10)

잠금 해제 버튼

공구에는 의도하지 않은 작동을 방지하기 위해 스위치 잠금 기능이 있습니다.

- 잠그려면: 잠금 해제 버튼 (2)을 잠금 위치 로 누릅니다.
- 잠금을 해제하려면: 잠금 해제 버튼 (2)을 잠금 해제 위치 로 누릅니다.

커기/끄기 스위칭

가변 속도 커기 / 끄기 스위치는 다양한 재료에서 절단 속도를 크게 향상시키기 위한 속도 선택 기능을 제공합니다.

- 공구를 켜려면 가변 속도 커기 / 끄기 스위치 (1)를 누릅니다.
- 공구를 끄려면 가변 속도 커기 / 끄기 스위치 (1)를 놓습니다.

톱질

- 항상 양손으로 공구를 잡으십시오.
- 절단을 시작하기 전에 칼날이 몇 초 동안 자유롭게 움직입니다.
- 절단을 수행하는 동안 공구에 약간의 압력 만 가하십시오.
- 가능하면 슈 (3)를 공작물에 대고 작업하십시오. 이렇게 하면 공구 제어가 향상되고 공구 진동이 감소할뿐만 아니라 블레이드가 손상되는 것을 방지할 수 있습니다.

최적의 사용을 위한 힌트

목재 톱질

- 공작물을 단단히 고정하고 모든 못과 금속 물체를 제거하십시오.
- 공구를 양손으로 잡고 슈 (3)를 공작물에 대고 작업합니다.

플러시 절단

왕복 톱 모터 하우징과 피벗 슈의 콤팩트한 디자인은 바닥, 모서리 및 기타 어려운 영역을 가깝게 절단할 수 있습니다.

플러시 절단 기능을 최대화하려면:

- 날의 톱니가 위로 향하게 하여 날 샤프트를 날 클램프에 삽입합니다.
- 가능한 한 작업 표면에 가까워지도록 공구의 핸들 각도를 조정하십시오.

금속 절단

금속을 절단하는 것은 목재를 절단하는 것보다 훨씬 더 많은 시간이 걸립니다.

- 금속 톱질에 적합한 톱날을 사용하십시오. 철 금속에는 가는 톱날을 사용하고 비철금속에는 거친 톱날을 사용하십시오.
- 얇은 판금을 절단할 때 고철 조각을 작업 물의 뒷면에 끼우고 이 샌드위치에 절단하십시오.
- 원하는 절단 선을 따라 기름막을 펴십시오.

목재 포켓 커팅

- 필요한 포켓 컷을 측정하고 표시합니다.
- 포켓 절단에 적합한 톱날을 장착하십시오.
- 블레이드가 포켓 절단에 적합한 각도를 형성하는 위치에 공작물 위에 슈 (3)를 놓습니다.
- 공구를 켜고 블레이드를 공작물에 천천히 넣습니다. 슈 (3)가 항상 공작물과 접촉하고 있는지 확인하십시오.

가지 절단

이 공구로 직경 25mm까지의 가지를 절단할 수 있습니다.



경고! 나무, 사다리 또는 기타 불안정한 표면에서 공구를 사용하지 마십시오. 가지가 어디로 떨어질지 주의하십시오.

- 작업자 몸에서 아래로 자르십시오.
- 주 가지 또는 나무에 가깝게 절단하십시오.

수직 절단

이 공구를 사용하면 모서리 및 기타 어려운 영역을 가깝게 절단할 수 있습니다.

- 톱날의 이빨이 위로 향하게 하여 톱날의 샌크를 날 홀더에 삽입합니다.
- 슈 (3)가 아래쪽을 향하게 하여 공구를 잡으면 가능한 한 작업 표면에 가까워집니다.
- 앞으로 향하여 작업하고 작업자 몸에서 멀리하십시오.

액세서리

공구의 성능은 사용 된 액세서리에 따라 다릅니다. STANLEY FATMAX 액세서리는 고품질 표준에 따라 설계되었으며 공구 성능을 항상 시키도록 설계되었습니다. 이러한 액세서리를 사용하면 공구에서 최상의 결과를 얻을 수 있습니다.

블레이드

톱은 최대 30cm 길이의 날을 수용합니다. 항상 작업에 적합한 가장 짧은 날을 사용하지만 날이 재료를 절단할 수 있을만큼 충분히 길어야 합니다. 긴 날은 사용중에 구부러지거나 손상 될 가능성이 더 큼니다. 작업중에 톱이 공작물과 접촉하지 않으면 더 긴 날이 진동하거나 흔들릴 수 있습니다.

유지 보수

STANLEY FATMAX 공구는 최소한의 유지 보수로 장기간 작동하도록 설계되었습니다. 만족스러운 연속 작동은 적절한 공구 관리와 정기적인 청소에 따라 그 성능이 달라질 수 있습니다

충전기는 정기적인 청소 외에 유지 관리가 필요하지 않습니다.



경고! 공구에 대한 유지 관리를 수행하기 전에 공구에서 배터리를 제거하십시오. 청소하기 전에 충전기의 플러그를 뽑으십시오.

- 제품 / 공구 / 충전기의 환기 슬롯을 부드러운 솔이나 마른 천으로 정기적으로 청소하십시오.
- 젖은 천을 사용하여 모터 하우징을 정기적으로 청소하고
- 연마제나 솔벤트 기반 세제를 사용하지 마십시오
- 척을 정기적으로 열고 두드려 내부의 먼지를 제거하십시오.

환경 보호



분리 수거. 이 기호가 표시된 제품과 배터리를 일반 가정용 쓰레기와 함께 처리하면 안됩니다.

제품과 배터리에는 재활용되거나 재사용되고 고철 자원에 대한 수요를 줄일 수 있는 자재가 포함되어 있습니다. 지역 규정에 따라 전기 제품을 재활용하십시오. 자세한 내용은 www.2helpU.com에서 찾아볼 수 있습니다.

기술 데이터

		SCR300
입력 전압	V _{DC}	18V (20V MAX)
무부하 속도	Min ⁻¹	0 - 3 000
스트로크 길이	mm	25.4

		SCR300
무게	kg	1.7

충전기		SC125	SC200	SC400 SC401
입력 전압	V_{AC}	220-240	220-240	220-240
출력 전압	V_{DC}	18V (20V MAX)	18V (20V MAX)	18V (20V MAX)
전류	A	1.25	2	4

배터리		SB201	SB202	SB204	SB206
전압	V_{DC}	18V (20V MAX)	18V (20V MAX)	18V (20V MAX)	18V (20V MAX)
용량	Ah	1.5	2.0	4.0	6.0
유형		리튬 이온	리튬 이온	리튬 이온	리튬 이온

서비스 정보

STANLEY FATMAX는 회사 소유 및 공인 서비스 지점의 전체 지역범위내의 서비스를 제공합니다. 모든 STANLEY FATMAX 서비스 센터에는 교육을 받은 적격 직원이 있습니다.

효율적이고 신뢰할 수 있는 전동 공구 서비스를 제공합니다. 당사의 공인 서비스 센터에 대한 자세한 정보와 기술 상담, 수리 또는 정품 교체 부품이 필요한 경우 가까운 STANLEY FATMAX 지점에 문의하거나 www.stanleytools.com을 방문하십시오.

