

**MAC**  
**TOOLS**

---



**[www.MACTOOLS.com](http://www.MACTOOLS.com)**

**MCM849**

---

---

English (***original instructions***)

3

---

Norsk (*oversatt fra de originale instruksjonene*)

14

---

Fig. A

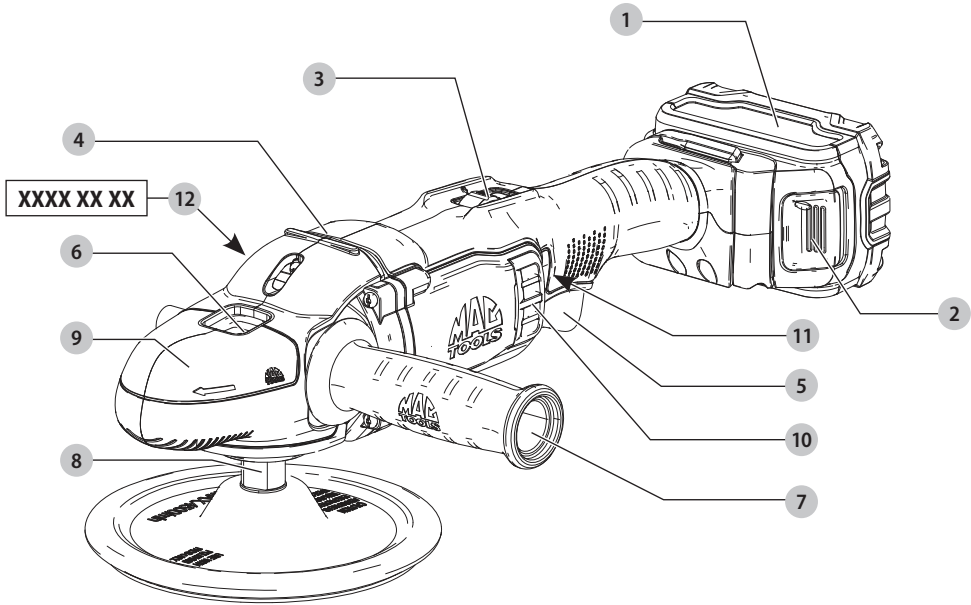


Fig. B

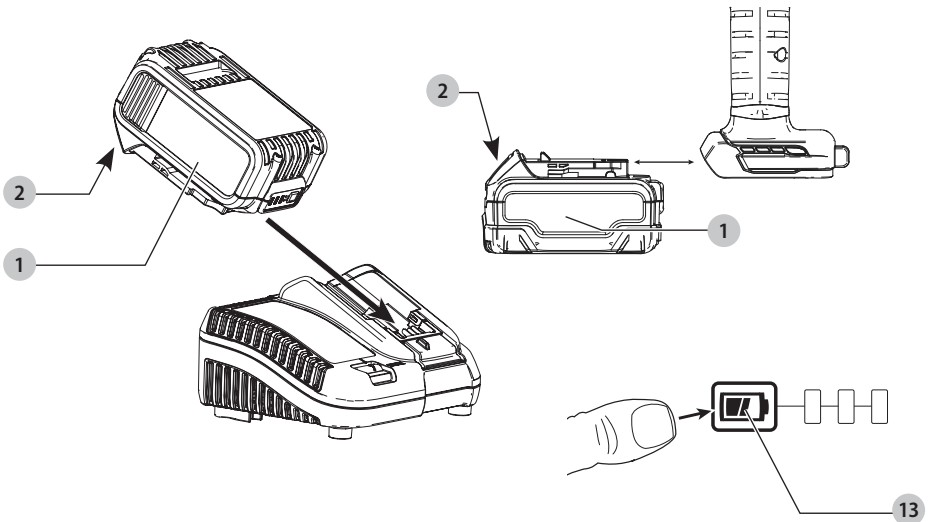


Fig. C

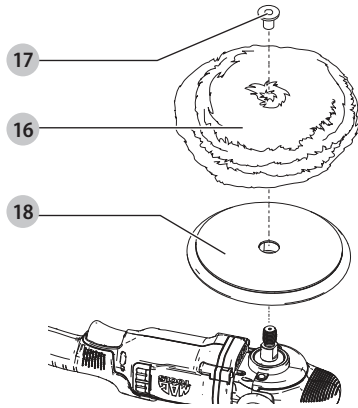


Fig. D

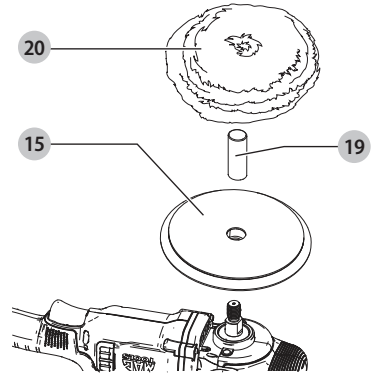
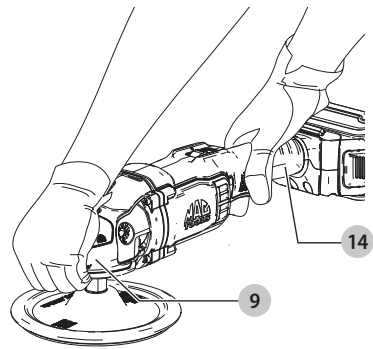
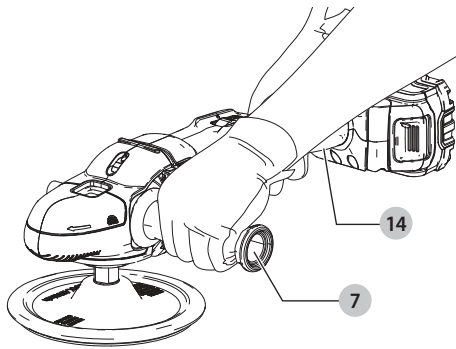


Fig. E



# POLISHER

## MCM849

### Congratulations!

You have chosen a Mac Tools tool. Years of experience, thorough product development and innovation make Mac Tools one of the most reliable partners for professional power tool users.

### Technical Data

		MCM849
Voltage	$V_{bc}$	18
Type		1
Battery type		Li-Ion
No-load speed	$\text{min}^{-1}$	800–2200
Rated speed	$\text{min}^{-1}$	2200
Max. backing pad diameter	mm	180
Spindle		M14
Weight (without battery pack)	kg	1.93
Noise values and/or vibration values (tri-ax vector sum) according to EN60745-2-3:		
$L_{pA}$ (emission sound pressure level)	dB(A)	78
$L_{WA}$ (sound power level)	dB(A)	89
K (uncertainty for the given sound level)	dB(A)	3
Vibration emission value $a_{hp} <$		
	$\text{m/s}^2$	2.5
Uncertainty K =	$\text{m/s}^2$	1.5

The vibration and/or noise emission level given in this information sheet has been measured in accordance with a standardised test given in EN60745 and may be used to compare one tool with another. It may be used for a preliminary assessment of exposure.

**⚠ WARNING:** The declared vibration and/or noise emission level represents the main applications of the tool. However if the tool is used for different applications, with different accessories or poorly maintained, the vibration and/or noise emission may differ. This may significantly increase the exposure level over the total working period.

An estimation of the level of exposure to vibration and/or noise should also take into account the times when the tool is switched off or when it is running but not actually doing the job. This may significantly reduce the exposure level over the total working period.

Identify additional safety measures to protect the operator from the effects of vibration and/or noise such as: maintain the tool and the accessories, keep the hands warm (relevant for vibration), organisation of work patterns.

### EC-Declaration of Conformity

#### Machinery Directive



#### Polisher MCM849

Mac Tools declares that these products described under **Technical Data** are in compliance with: 2006/42/EC, EN60745-1:2009+A11:2010, EN60745-2-3:2011 +A2:2013 +A11:2014+A12:2014 +A13:2015.

These products also comply with Directive 2014/30/EU and 2011/65/EU. For more information, please contact Mac Tools at the following address or refer to the back of the manual.

The undersigned is responsible for compilation of the technical file and makes this declaration on behalf of Mac Tools.

Markus Rompel  
Vice-President Engineering, PTE-Europa  
Mac Tools, Richard-Klinger-Straße 11,  
D-65510, Idstein, Germany  
08.08.2019



**WARNING:** To reduce the risk of injury, read the instruction manual.

### Definitions: Safety Guidelines

The definitions below describe the level of severity for each signal word. Please read the manual and pay attention to these symbols.



**DANGER:** Indicates an imminently hazardous situation which, if not avoided, **will** result in **death or serious injury**.



**WARNING:** Indicates a potentially hazardous situation which, if not avoided, **could** result in **death or serious injury**.



**CAUTION:** Indicates a potentially hazardous situation which, if not avoided, **may** result in **minor or moderate injury**.

**NOTICE:** Indicates a practice **not related to personal injury** which, if not avoided, **may** result in **property damage**.



Denotes risk of electric shock.



Denotes risk of fire.

Battery/Charger Matrix					
Batteries				Chargers/Charge Times (Minutes)	
Cat #	V <sub>DC</sub>	Ah	Weight (kg)	MCB101	MCB115
MB200	18	3.0	0.64	45	45
MBR183	18	2.0	0.40	40	40
MBR184	18	5.0	0.70	75	75

## GENERAL POWER TOOL SAFETY WARNINGS



**WARNING:** Read all safety warnings, instructions, illustrations and specifications provided with this power tool. Failure to follow all instructions listed below may result in electric shock, fire and/or serious injury.

### SAVE ALL WARNINGS AND INSTRUCTIONS FOR FUTURE REFERENCE.

The term "power tool" in the warnings refers to your mains-operated (corded) power tool or battery-operated (cordless) power tool.

#### 1) Work Area Safety

- Keep work area clean and well lit.** Cluttered or dark areas invite accidents.
- Do not operate power tools in explosive atmospheres, such as in the presence of flammable liquids, gases or dust.** Power tools create sparks which may ignite the dust or fumes.
- Keep children and bystanders away while operating a power tool.** Distractions can cause you to lose control.

#### 2) Electrical Safety

- Power tool plugs must match the outlet. Never modify the plug in any way. Do not use any adapter plugs with earthed (grounded) power tools.** Unmodified plugs and matching outlets will reduce risk of electric shock.
- Avoid body contact with earthed or grounded surfaces, such as pipes, radiators, ranges and refrigerators.** There is an increased risk of electric shock if your body is earthed or grounded.
- Do not expose power tools to rain or wet conditions.** Water entering a power tool will increase the risk of electric shock.
- Do not abuse the cord. Never use the cord for carrying, pulling or unplugging the power tool. Keep cord away from heat, oil, sharp edges or moving parts.** Damaged or entangled cords increase the risk of electric shock.
- When operating a power tool outdoors, use an extension cord suitable for outdoor use.** Use of a cord suitable for outdoor use reduces the risk of electric shock.
- If operating a power tool in a damp location is unavoidable, use a residual current device (RCD) protected supply.** Use of an RCD reduces the risk of electric shock.

#### 3) Personal Safety

- Stay alert, watch what you are doing and use common sense when operating a power tool. Do not**

**use a power tool while you are tired or under the influence of drugs, alcohol or medication.** A moment of inattention while operating power tools may result in serious personal injury.

- Use personal protective equipment. Always wear eye protection.** Protective equipment such as a dust mask, non-skid safety shoes, hard hat or hearing protection used for appropriate conditions will reduce personal injuries.
- Prevent unintentional starting. Ensure the switch is in the off-position before connecting to power source and/or battery pack, picking up or carrying the tool.** Carrying power tools with your finger on the switch or energising power tools that have the switch on invites accidents.
- Remove any adjusting key or wrench before turning the power tool on.** A wrench or a key left attached to a rotating part of the power tool may result in personal injury.
- Do not overreach. Keep proper footing and balance at all times.** This enables better control of the power tool in unexpected situations.
- Dress properly. Do not wear loose clothing or jewellery. Keep your hair and clothing away from moving parts.** Loose clothes, jewellery or long hair can be caught in moving parts.
- If devices are provided for the connection of dust extraction and collection facilities, ensure these are connected and properly used.** Use of dust collection can reduce dust-related hazards.
- Do not let familiarity gained from frequent use of tools allow you to become complacent and ignore tool safety principles.** A careless action can cause severe injury within a fraction of a second.

#### 4) Power Tool Use and Care

- Do not force the power tool. Use the correct power tool for your application.** The correct power tool will do the job better and safer at the rate for which it was designed.
- Do not use the power tool if the switch does not turn it on and off.** Any power tool that cannot be controlled with the switch is dangerous and must be repaired.
- Disconnect the plug from the power source and/or remove the battery pack, if detachable, from the power tool before making any adjustments, changing accessories, or storing power tools.** Such preventive safety measures reduce the risk of starting the power tool accidentally.

- d) **Store idle power tools out of the reach of children and do not allow persons unfamiliar with the power tool or these instructions to operate the power tool.** *Power tools are dangerous in the hands of untrained users.*
- e) **Maintain power tools and accessories. Check for misalignment or binding of moving parts, breakage of parts and any other condition that may affect the power tool's operation. If damaged, have the power tool repaired before use.** *Many accidents are caused by poorly maintained power tools.*
- f) **Keep cutting tools sharp and clean.** *Properly maintained cutting tools with sharp cutting edges are less likely to bind and are easier to control.*
- g) **Use the power tool, accessories and tool bits etc. in accordance with these instructions, taking into account the working conditions and the work to be performed.** *Use of the power tool for operations different from those intended could result in a hazardous situation.*
- h) **Keep handles and grasping surfaces dry, clean and free from oil and grease.** *Slippery handles and grasping surfaces do not allow for safe handling and control of the tool in unexpected situations.*
- b) **Never service damaged battery packs.** *Service of battery packs should only be performed by the manufacturer or authorized service providers.*

## ADDITIONAL SPECIFIC SAFETY RULES

### Safety Instructions for All Operations

- a) **This power tool is intended to function as a polisher. Read all safety warnings, instructions, illustrations and specifications provided with this power tool.** *Failure to follow all instructions listed below may result in electric shock, fire and/or serious injury.*
- b) **Operations such as grinding, sanding, wire brushing or cutting-off are not recommended to be performed with this power tool.** *Operations for which the power tool was not designed may create a hazard and cause personal injury.*
- c) **Do not use accessories which are not specifically designed and recommended by the tool manufacturer.** *Just because the accessory can be attached to your power tool, it does not assure safe operation.*
- d) **The rated speed of the accessory must be at least equal to the maximum speed marked on the power tool.** *Accessories running faster than their rated speed can break and fly apart.*
- e) **The outside diameter and the thickness of your accessory must be within the capacity rating of your power tool.** *Incorrectly sized accessories cannot be adequately guarded or controlled.*
- f) **Threaded mounting of accessories must match the grinder spindle thread. For accessories mounted by flanges, the arbor hole of the accessory must fit the locating diameter of the flange.** *Accessories that do not match the mounting hardware of the power tool will run out of balance, vibrate excessively and may cause loss of control.*
- g) **Do not use a damaged accessory. Before each use inspect the accessory such as abrasive wheel for chips and cracks, backing pad for cracks, tear or excess wear, wire brush for loose or cracked wires. If power tool or accessory is dropped, inspect for damage or install an undamaged accessory. After inspecting and installing an accessory, position yourself and bystanders away from the plane of the rotating accessory and run the power tool at maximum no-load speed for one minute.** *Damaged accessories will normally break apart during this test time.*
- h) **Wear personal protective equipment. Depending on application, use face shield, safety goggles or safety glasses. As appropriate, wear dust mask, hearing protectors, gloves and workshop apron capable of stopping small abrasive or workpiece fragments.** *The eye protection must be capable of stopping flying debris generated by various operations. The dust mask or respirator must be capable of filtering particles generated*
- 5) Battery Tool Use and Care**
- a) **Recharge only with the charger specified by the manufacturer.** *A charger that is suitable for one type of battery pack may create a risk of fire when used with another battery pack.*
- b) **Use power tools only with specifically designated battery packs.** *Use of any other battery packs may create a risk of injury and fire.*
- c) **When battery pack is not in use, keep it away from other metal objects, like paper clips, coins, keys, nails, screws or other small metal objects, that can make a connection from one terminal to another.** *Shorting the battery terminals together may cause burns or a fire.*
- d) **Under abusive conditions, liquid may be ejected from the battery; avoid contact. If contact accidentally occurs, flush with water. If liquid contacts eyes, additionally seek medical help.** *Liquid ejected from the battery may cause irritation or burns.*
- e) **Do not use a battery pack or tool that is damaged or modified.** *Damaged or modified batteries may exhibit unpredictable behaviour resulting in fire, explosion or risk of injury.*
- f) **Do not expose a battery pack or tool to fire or excessive temperature.** *Exposure to fire or temperature above 130 °C may cause explosion.*
- g) **Follow all charging instructions and do not charge the battery pack or tool outside the temperature range specified in the instructions.** *Charging improperly or at temperatures outside the specified range may damage the battery and increase the risk of fire.*
- 6) Service**
- a) **Have your power tool serviced by a qualified repair person using only identical replacement parts.** *This will ensure that the safety of the power tool is maintained.*

by your operation. Prolonged exposure to high intensity noise may cause hearing loss.

- i) **Keep bystanders a safe distance away from work area. Anyone entering the work area must wear personal protective equipment.** Fragments of workpiece or of a broken accessory may fly away and cause injury beyond immediate area of operation.
- j) **Position the cord clear of the spinning accessory.** If you lose control, the cord may be cut or snagged and your hand or arm may be pulled into the spinning accessory.
- k) **Never lay the power tool down until the accessory has come to a complete stop.** The spinning accessory may grab the surface and pull the power tool out of your control.
- l) **Do not run the power tool while carrying it at your side.** Accidental contact with the spinning accessory could snag your clothing, pulling the accessory into your body.
- m) **Regularly clean the power tool's air vents.** The motor's fan will draw the dust inside the housing and excessive accumulation of powdered metal may cause electrical hazards.
- n) **Do not operate the power tool near flammable materials.** Sparks could ignite these materials.
- o) **Do not use accessories that require liquid coolants.** Using water or other liquid coolants may result in electrocution or shock.
- p) **Always use side handle. Tighten the handle securely.** The side handle should always be used to maintain control of the tool at all times.

## FURTHER SAFETY INSTRUCTIONS FOR ALL OPERATIONS

### Causes and Operator Prevention of Kickback

Kickback is a sudden reaction to a pinched or snagged rotating wheel, backing pad, brush or any other accessory. Pinching or snagging causes rapid stalling of the rotating accessory which in turn causes the uncontrolled power tool to be forced in the direction opposite of the accessory's rotation at the point of the binding.

For example, if an abrasive wheel is snagged or pinched by the workpiece, the edge of the wheel that is entering into the pinch point can dig into the surface of the material causing the wheel to climb out or kick out. The wheel may either jump toward or away from the operator, depending on direction of the wheel's movement at the point of pinching. Abrasive wheels may also break under these conditions.

Kickback is the result of power tool misuse and/or incorrect operating procedures or conditions and can be avoided by taking proper precautions as given below:

- a) **Maintain a firm grip on the power tool and position your body and arm to allow you to resist kickback forces. Always use auxiliary handle, if provided, for maximum control over kickback or torque reaction**

**during start-up.** The operator can control torque reaction or kickback forces, if proper precautions are taken.

- b) **Never place your hand near the rotating accessory.** Accessory may kickback over your hand.
- c) **Do not position your body in the area where power tool will move if kickback occurs.** Kickback will propel the tool in direction opposite to the wheel's movement at the point of snagging.
- d) **Use special care when working corners, sharp edges etc. Avoid bouncing and snagging the accessory.** Corners, sharp edges or bouncing have a tendency to snag the rotating accessory and cause loss of control or kickback.
- e) **Do not attach a saw chain woodcarving blade or toothed saw blade.** Such blades create frequent kickback and loss of control.

### Safety Warnings Specific for Polishing Operations

- a) **Do not allow any loose portion of the polishing bonnet or its attachment strings to spin freely. Tuck away or trim any loose attachment strings.** Loose and spinning attachment strings can entangle your fingers or snag on the workpiece.

### Additional Specific Safety Instructions for Polishers

- **Clean out your tool often, especially after heavy use.** Dust and grit containing metal particles often accumulate on interior surfaces and could create an electric shock hazard.
- **Do not operate this tool for long periods of time.** Vibration caused by the operating action of this tool may cause permanent injury to fingers, hands and arms. Use gloves to provide extra cushion, take frequent rest periods and limit daily time of use.
- **Air vents often cover moving parts and should be avoided.** Loose clothes, jewellery or long hair can be caught in moving parts.
- **Ensure the switch is in the lock-off position when not in use and before connecting to the power source or battery pack.**

### Residual Risks

In spite of the application of the relevant safety regulations and the implementation of safety devices, certain residual risks cannot be avoided. These are:

- Impairment of hearing.
- Risk of personal injury due to flying particles.
- Risk of burns due to accessories becoming hot during operation.
- Risk of personal injury due to prolonged use.

**SAVE THESE INSTRUCTIONS**



## Chargers

Mac Tools chargers require no adjustment and are designed to be as easy as possible to operate.

### Electrical Safety

The electric motor has been designed for one voltage only. Always check that the battery pack voltage corresponds to the voltage on the rating plate. Also make sure that the voltage of your charger corresponds to that of your mains.



Your Mac Tools charger is double insulated in accordance with EN60335; therefore no earth wire is required.

If the supply cord is damaged, it must be replaced by a specially prepared cord available through the Mac Tools service organisation.

### Mains Plug Replacement (U.K. & Ireland Only)

If a new mains plug needs to be fitted:

- Safely dispose of the old plug.
- Connect the brown lead to the live terminal in the plug.
- Connect the blue lead to the neutral terminal.



**WARNING:** No connection is to be made to the earth terminal.

Follow the fitting instructions supplied with good quality plugs. Recommended fuse: 3 A.

### Using an Extension Cable

An extension cord should not be used unless absolutely necessary. Use an approved extension cable suitable for the power input of your charger (see **Technical Data**). The minimum conductor size is 1 mm<sup>2</sup>; the maximum length is 30 m.

When using a cable reel, always unwind the cable completely.

### Important Safety Instructions for All Battery Chargers

**SAVE THESE INSTRUCTIONS:** This manual contains important safety and operating instructions for compatible battery chargers (refer to **Technical Data**).

- Before using charger, read all instructions and cautionary markings on charger, battery pack, and product using battery pack.



**WARNING:** Shock hazard. Do not allow any liquid to get inside charger. Electric shock may result.



**WARNING:** We recommend the use of a residual current device with a residual current rating of 30mA or less.



**CAUTION:** Burn hazard. To reduce the risk of injury, charge only Mac Tools rechargeable batteries. Other types of batteries may burst causing personal injury and damage.




**CAUTION:** Children should be supervised to ensure that they do not play with the appliance.

**NOTICE:** Under certain conditions, with the charger plugged into the power supply, the exposed charging contacts inside the charger can be shorted by foreign


material. Foreign materials of a conductive nature such as, but not limited to, steel wool, aluminum foil or any buildup of metallic particles should be kept away from charger cavities. Always unplug the charger from the power supply when there is no battery pack in the cavity. Unplug charger before attempting to clean

- **DO NOT attempt to charge the battery pack with any chargers other than the ones in this manual.** The charger and battery pack are specifically designed to work together.
- **These chargers are not intended for any uses other than charging Mac Tools rechargeable batteries.** Any other uses may result in risk of fire, electric shock or electrocution.
- **Do not expose charger to rain or snow.**
- **Pull by plug rather than cord when disconnecting charger.** This will reduce risk of damage to electric plug and cord.
- **Make sure that cord is located so that it will not be stepped on, tripped over, or otherwise subjected to damage or stress.**
- **Do not use an extension cord unless it is absolutely necessary.** Use of improper extension cord could result in risk of fire, electric shock, or electrocution.
- **Do not place any object on top of charger or place the charger on a soft surface that might block the ventilation slots and result in excessive internal heat.** Place the charger in a position away from any heat source. The charger is ventilated through slots in the top and the bottom of the housing.
- **Do not operate charger with damaged cord or plug—** have them replaced immediately.
- **Do not operate charger if it has received a sharp blow, been dropped, or otherwise damaged in any way.** Take it to an authorised service centre.
- **Do not disassemble charger; take it to an authorised service centre when service or repair is required.** Incorrect reassembly may result in a risk of electric shock, electrocution or fire.
- In case of damaged power supply cord the supply cord must be replaced immediately by the manufacturer, its service agent or similar qualified person to prevent any hazard.
- **Disconnect the charger from the outlet before attempting any cleaning. This will reduce the risk of electric shock.** Removing the battery pack will not reduce this risk.
- **NEVER** attempt to connect two chargers together.
- **The charger is designed to operate on standard 230V household electrical power. Do not attempt to use it on any other voltage.** This does not apply to the vehicular charger.

### Charging a Battery (Fig. B)

1. Plug the charger into an appropriate outlet before inserting battery pack.
2. Insert the battery pack  into the charger, making sure the battery pack is fully seated in the charger. The red (charging)






light will blink repeatedly indicating that the charging process has started.

- The completion of charge will be indicated by the red light remaining ON continuously. The battery pack is fully charged and may be used at this time or left in the charger. To remove the battery pack from the charger, push the battery release button  on the battery pack.

**NOTE:** To ensure maximum performance and life of lithium-ion battery packs, charge the battery pack fully before first use.

## Charger Operation

Refer to the indicators below for the charge status of the battery pack.

Charge Indicators	
 Charging	
 Fully Charged	
 Hot/Cold Pack Delay*	

\*The red light will continue to blink, but a yellow indicator light will be illuminated during this operation. Once the battery pack has reached an appropriate temperature, the yellow light will turn off and the charger will resume the charging procedure.

The compatible charger(s) will not charge a faulty battery pack. The charger will indicate faulty battery by refusing to light.

**NOTE:** This could also mean a problem with a charger.

If the charger indicates a problem, take the charger and battery pack to be tested at an authorised service centre.

## Hot/Cold Pack Delay

When the charger detects a battery pack that is too hot or too cold, it automatically starts a Hot/Cold Pack Delay, suspending charging until the battery pack has reached an appropriate temperature. The charger then automatically switches to the pack charging mode. This feature ensures maximum battery pack life.

A cold battery pack will charge at a slower rate than a warm battery pack. The battery pack will charge at that slower rate throughout the entire charging cycle and will not return to maximum charge rate even if the battery pack warms.

## Electronic Protection System

Mac Tools Li-Ion tools are designed with an Electronic Protection System that will protect the battery pack against overloading, overheating or deep discharge.


The tool will automatically turn off if the Electronic Protection System engages. If this occurs, place the lithium-ion battery pack on the charger until it is fully charged.

## Wall Mounting

These chargers are designed to be wall mountable or to sit upright on a table or work surface. If wall mounting, locate the charger within reach of an electrical outlet, and away from a corner or other obstructions which may impede air flow. Use the back of the charger as a template for the location of the mounting screws on the wall. Mount the charger securely using drywall screws (purchased separately) at least 25.4 mm long

with a screw head diameter of 7–9 mm, screwed into wood to an optimal depth leaving approximately 5.5 mm of the screw exposed. Align the slots on the back of the charger with the exposed screws and fully engage them in the slots.

## Charger Cleaning Instructions

 **WARNING: Shock hazard. Disconnect the charger from the AC outlet before cleaning.** Dirt and grease may be removed from the exterior of the charger using a cloth or soft non-metallic brush. Do not use water or any cleaning solutions. Never let any liquid get inside the tool; never immerse any part of the tool into a liquid.

## Battery Packs

### Important Safety Instructions for All Battery Packs


When ordering replacement battery packs, be sure to include catalogue number and voltage.

The battery pack is not fully charged out of the carton. Before using the battery pack and charger, read the safety instructions below. Then follow charging procedures outlined.

### READ ALL INSTRUCTIONS

- **Do not charge or use battery in explosive atmospheres, such as in the presence of flammable liquids, gases or dust.** Inserting or removing the battery from the charger may ignite the dust or fumes.
- **Never force battery pack into charger. Do not modify battery pack in any way to fit into a non-compatible charger as battery pack may rupture causing serious personal injury.**
- Charge the battery packs only in Mac Tools chargers.
- **DO NOT splash or immerse in water or other liquids.**
- **Do not store or use the tool and battery pack in locations where the temperature may reach or exceed 40 °C (104 °F) (such as outside sheds or metal buildings in summer).**
- **Do not incinerate the battery pack even if it is severely damaged or is completely worn out.** The battery pack can explode in a fire. Toxic fumes and materials are created when lithium-ion battery packs are burned.
- **If battery contents come into contact with the skin, immediately wash area with mild soap and water.** If battery liquid gets into the eye, rinse water over the open eye for 15 minutes or until irritation ceases. If medical attention is needed, the battery electrolyte is composed of a mixture of liquid organic carbonates and lithium salts.
- **Contents of opened battery cells may cause respiratory irritation.** Provide fresh air. If symptoms persists, seek medical attention.

 **WARNING: Burn hazard.** Battery liquid may be flammable if exposed to spark or flame.

 **WARNING: Never attempt to open the battery pack for any reason.** If battery pack case is cracked or damaged, do not insert into charger. Do not crush, drop or damage battery pack. Do not use a battery pack or charger that

has received a sharp blow, been dropped, run over or damaged in any way (i.e., pierced with a nail, hit with a hammer, stepped on). Electric shock or electrocution may result. Damaged battery packs should be returned to service centre for recycling.



**WARNING: Fire hazard. Do not store or carry the battery pack so that metal objects can contact exposed battery terminals.** For example, do not place the battery pack in aprons, pockets, tool boxes, product kit boxes, drawers, etc., with loose nails, screws, keys, etc.



**CAUTION: When not in use, place tool on its side on a stable surface where it will not cause a tripping or falling hazard.** Some tools with large battery packs will stand upright on the battery pack but may be easily knocked over.

## Transportation



**WARNING: Fire hazard.** Transporting batteries can possibly cause fire if the battery terminals inadvertently come in contact with conductive materials. When transporting batteries, make sure that the battery terminals are protected and well insulated from materials that could contact them and cause a short circuit. **NOTE:** Lithium-ion batteries should not be put in checked baggage.

Mac Tools batteries comply with all applicable shipping regulations as prescribed by industry and legal standards which include UN Recommendations on the Transport of Dangerous Goods; International Air Transport Association (IATA) Dangerous Goods Regulations, International Maritime Dangerous Goods (IMDG) Regulations, and the European Agreement Concerning The International Carriage of Dangerous Goods by Road (ADR). Lithium-ion cells and batteries have been tested to section 38.3 of the UN Recommendations on the Transport of Dangerous Goods Manual of Tests and Criteria.

In most instances, shipping a Mac Tools battery pack will be excepted from being classified as a fully regulated Class 9 Hazardous Material. In general, only shipments containing a lithium-ion battery with an energy rating greater than 100 Watt Hours (Wh) will require being shipped as fully regulated Class 9. All lithium-ion batteries have the Watt Hour rating marked on the pack. Furthermore, due to regulation complexities, Mac Tools does not recommend air shipping lithium-ion battery packs alone regardless of Watt Hour rating. Shipments of tools with batteries (combo kits) can be air shipped as excepted if the Watt Hour rating of the battery pack is no greater than 100 Whr. Regardless of whether a shipment is considered excepted or fully regulated, it is the shipper's responsibility to consult the latest regulations for packaging, labeling/marketing and documentation requirements.

The information provided in this section of the manual is provided in good faith and believed to be accurate at the time the document was created. However, no warranty, expressed or implied, is given. It is the buyer's responsibility to ensure that its activities comply with the applicable regulations.

## Storage Recommendations

1. The best storage place is one that is cool and dry away from direct sunlight and excess heat or cold. For optimum battery performance and life, store battery packs at room temperature when not in use.
2. For long storage, it is recommended to store a fully charged battery pack in a cool, dry place out of the charger for optimal results.

**NOTE:** Battery packs should not be stored completely depleted of charge. The battery pack will need to be recharged before use.

## Labels on Charger and Battery Pack

In addition to the pictographs used in this manual, the labels on the charger and the battery pack may show the following pictographs:



Read instruction manual before use.



See **Technical Data** for charging time.



Do not probe with conductive objects.



Do not charge damaged battery packs.



Do not expose to water.



Have defective cords replaced immediately.



Charge only between 4 °C and 40 °C.



Only for indoor use.



Discard the battery pack with due care for the environment.



Charge Mac Tools battery packs only with designated Mac Tools chargers. Charging battery packs other than the designated Mac Tools batteries with a Mac Tools charger may make them burst or lead to other dangerous situations.



Do not incinerate the battery pack.

## Battery Type

The MCM849 operates on a 18 volt battery pack.

These battery packs may be used: MB200, MBR183, MBR184. Refer to **Technical Data** for more information.

## Package Contents

The package contains:

- 1 Polisher
- 1 Auxiliary handle
- 2 Wool ingestion shields
  - 1 180 mm hook and loop backing pad
  - 1 Li-Ion battery pack (C1, D1, L1, M1, P1, S1, T1, X1, Y1 models)
  - 2 Li-Ion battery packs (C2, D2, L2, M2, P2, S2, T2, X2, Y2 models)
  - 3 Li-Ion battery packs (C3, D3, L3, M3, P3, S3, T3, X3, Y3 models)
- 1 Instruction manual

**NOTE:** Battery packs, chargers and kitboxes are not included with N models. Battery packs and chargers are not included with NT models. B models include Bluetooth® battery packs.

**NOTE:** The Bluetooth® word mark and logos are registered trademarks owned by the Bluetooth®, SIG, Inc. and any use of such marks by Mac Tools is under license. Other trademarks and trade names are those of their respective owners.

- Check for damage to the tool, parts or accessories which may have occurred during transport.
- Take the time to thoroughly read and understand this manual prior to operation.

## Markings on Tool

The following pictograms are shown on the tool:



Read instruction manual before use.



Wear ear protection.



Wear eye protection.

## Date Code Position (Fig. A)

The date code **12**, which also includes the year of manufacture, is printed into the housing.

Example:

2019 XX XX  
Year of Manufacture

## Description (Fig. A)



**WARNING:** Never modify the power tool or any part of it. Damage or personal injury could result.

- 1 Battery
- 2 Battery release button
- 3 Speed control wheel
- 4 Protective tool rest
- 5 Variable speed trigger switch
- 6 Spindle lock button
- 7 Auxiliary handle
- 8 Spindle
- 9 Soft rubber gear case grip
- 10 Wool ingestion shield

- 11 Lock-on button

## Intended Use

Your MCM849 heavy-duty polisher has been designed for polishing painted or unfinished metal, fiberglass, and composite surfaces in professional applications. Common examples of use include but are not limited to: auto/marine/RV/motorcycle detailing and finish correction, boat construction and repair, and metal or concrete finishing.

**DO NOT** use under wet conditions or in the presence of flammable liquids or gases.

This heavy-duty polisher is a professional power tool.

**DO NOT** let children come into contact with the tool.

Supervision is required when inexperienced operators use this tool.

- **Young children and the infirm.** This appliance is not intended for use by young children or infirm persons without supervision.
- This product is not intended for use by persons (including children) suffering from diminished physical, sensory or mental abilities; lack of experience, knowledge or skills unless they are supervised by a person responsible for their safety. Children should never be left alone with this product.

## ASSEMBLY AND ADJUSTMENTS



**WARNING:** To reduce the risk of serious personal injury, turn tool off and disconnect battery pack before making any adjustments or removing/installing attachments or accessories. An accidental start-up can cause injury.



**WARNING:** Use only Mac Tools battery packs and chargers.

## Inserting and Removing the Battery Pack from the Tool (Fig. B)

**NOTE:** Make sure your battery pack **1** is fully charged.

### To Install the Battery Pack into the Tool Handle

1. Align the battery pack **1** with the rails inside the tool's handle (Fig. B).
2. Slide it into the handle until the battery pack is firmly seated in the tool and ensure that you hear the lock snap into place.

### To Remove the Battery Pack from the Tool

1. Press the release button **2** and firmly pull the battery pack out of the tool handle.
2. Insert battery pack into the charger as described in the charger section of this manual.

## Fuel Gauge Battery Packs (Fig. B)

Some Mac Tools battery packs include a fuel gauge which consists of three green LED lights that indicate the level of charge remaining in the battery pack.

To actuate the fuel gauge, press and hold the fuel gauge button **13**. A combination of the three green LED lights will illuminate designating the level of charge left. When the level of

charge in the battery is below the usable limit, the fuel gauge will not illuminate and the battery will need to be recharged.

**NOTE:** The fuel gauge is only an indication of the charge left on the battery pack. It does not indicate tool functionality and is subject to variation based on product components, temperature and end-user application.

## Auxiliary Handle (Fig. A)



**WARNING:** Before using the tool, check that the handle is tightened securely.

An auxiliary handle **7** is supplied with your tool and can be installed on either side of the gear case. This handle should be used at all times to maintain complete control of the tool.

## Wool Ingestion Shields (Fig. A)

The wool ingestion shields **10** are designed to reduce the amount of wool, dust, and debris that gets ingested by the motor during normal use.

Clean the shields as soon as you start to see buildup on the outside. To clean the wool ingestion shields:

Each ingestion shield can be easily removed for cleaning by slipping a finger or coin underneath the removal recess and pulling to release the cover.

## Spindle Lock Button (Fig. A)

**NOTICE:** To reduce the risk of damage to the tool, do not engage the spindle lock while the tool is operating. Damage to the tool will result and attached accessory may spin off possibly resulting in injury.

In order to prevent the spindle of the tool from rotating while installing or removing accessories, a spindle lock button **6** has been provided in the gear head of the machine.

To lock the spindle, depress and hold the lock button. NEVER DEPRESS THE SPINDLE LOCK BUTTON WITH THE TOOL RUNNING OR COASTING.

## Attaching and Removing Polishing Pads (Fig. A, C, D)



**WARNING:** To reduce the risk of serious personal injury, do not allow any loose portion of the polishing bonnet or its attachment strings to spin freely. Tuck away or trim any loose attachment strings. Loose and spinning attachment strings can entangle your fingers or snag on the workpiece.

Polishing pads with a diameter of up to 180 mm may be used with the MCM849.

**NOTE:** The MCM849 may use either type of polishing pad assembly described below.

### To Attach Polishing Pad With Rubber Backing Pad (Fig. A, C)

- Engage the hexagonal hole in the backing pad **18**. Holding the clamp washer **17** and backing pad firmly together, place the assembly on the tool spindle **8**.
- Hold the spindle lock button **6** while turning the backing pad and clamp washer clockwise to thread them completely on the spindle. Tighten firmly by hand.

- Fix the polishing pad **16** onto the backing pad.

### To Attach Polishing Pad With Hook And Loop Backing Pad (Fig. A, D)

- Insert the centring tube **19** into the centre hole in the hook and loop backing pad **15**.
- Line up the centre hole on the hook and loop pad **20** with the centring tube **19** and attach the pad to the hook and loop backing pad **15**.
- Screw backing pad onto spindle **8**, while depressing spindle lock button **6**.

### To Remove Pads

Turn the pads by hand in the opposite direction from normal rotation to allow lock button to engage spindle, then unscrew pads in normal direction for right-hand thread.

## Prior to Operation

- Be sure the polishing pad is mounted correctly.
- Make sure the pad rotates in the direction of the arrows on the accessory and the tool.
- Make sure any dirt is washed off the workpiece surface.

## OPERATION

### Instructions for Use



**WARNING:** Always observe the safety instructions and applicable regulations.



**WARNING:** To reduce the risk of serious personal injury, turn tool off and disconnect battery pack before making any adjustments or removing/installing attachments or accessories. An accidental start-up can cause injury.

### Proper Hand Position (Fig. E)



**WARNING:** To reduce the risk of serious personal injury, ALWAYS use proper hand position as shown.



**WARNING:** To reduce the risk of serious personal injury, ALWAYS hold securely in anticipation of a sudden reaction.

Proper hand position requires one hand on the auxiliary handle **7** with the other hand on the main handle **14** or one hand on the main handle and one hand on the soft rubber gear case grip **9**.

### Variable Speed Trigger Switch (Fig. A)

The variable speed trigger switch permits speed control from 0 to 2200 RPM.

To turn the tool on, squeeze the trigger switch **5**. The farther you depress the trigger, the faster it will operate. Releasing the trigger turns the tool off.

Use lower speeds for applying compounds, and higher speeds for polishing.

### Trigger Locking Button

The tool can be locked on for continuous use by squeezing the trigger switch **5** fully and depressing the lock button **11**.

shown in Figure A. Hold the lock button in as you gently release the trigger switch.

To turn the tool off from a locked-on position, squeeze and release the trigger switch once.

**NOTE:** The trigger switch can only be locked on with the tool running at the maximum RPM designated by the speed control wheel 3.

### Speed Control Wheel (Fig. A)

The maximum speed of your tool can be changed by rotating the speed control wheel 3 to the desired setting. For added versatility, the trigger switch 5 may be locked in its full on position and tool speed changed by means of the speed control wheel alone.

The speed control wheel can be set for any speed between 800 and 2200 RPM and the variable speed trigger switch will then control tool speed from zero to the wheel setting. For example: A control wheel setting of 2200 RPM will allow the variable speed trigger switch to operate the tool between zero and 2200 RPM, depending on how far the trigger switch is depressed.

### Electronic Speed Control

The electronic speed control feature functions whenever the trigger switch is fully depressed and the tool is running at the selected speed determined by the setting of the control wheel.

As you load the tool by pushing it down on the work surface, the tool will compensate for the loading and maintain the selected speed. If the speed selected by the control wheel is 2200 RPM, the tool will maintain 2200 RPM, as it is loaded.

- The electronic speed control operates only when the trigger switch 5 is fully depressed.
- The effect of electronic speed control is much easier to observe at lower speed settings (1400 RPM and below), than at high speeds.

A conventional polisher running at a typical no-load speed of 2200 RPM slows down to about 1800 RPM under a polishing load. Your polisher will continue to run at 2200 RPM (or any speed you select with the control wheel) as a load is applied. If the speed is too great, slow the tool down with either the trigger switch or the control wheel.

### Polishing (Fig. E)

1. Without turning the tool on, grasp the handles of the tool and pick it up.
2. Keep the tool away from your body and depress the trigger switch.
3. Make sure you have a firm grip on the handles.
4. Move the tool evenly over the surface of the workpiece, without applying pressure.
5. Switch off the machine before taking the tool from the surface.
6. Check your work at short intervals.

The auxiliary handle 7 can be easily changed to either side of the tool for left-handed or right-handed operation.

Use utmost care when power polishing around or over sharp objects and contours. It is very important to use the correct pressure while polishing various sections of an automobile body. For example, light pressure should be applied when polishing over sharp edges of body panels, or over edges of the rain gutter along the top.



**WARNING:** High-speed rubbing action of the polishing bonnet upon the workpiece surface can build a static charge on the metal portions of this tool resulting in a static shock when touched.

### MAINTENANCE

Your power tool has been designed to operate over a long period of time with a minimum of maintenance. Continuous satisfactory operation depends upon proper tool care and regular cleaning.



**WARNING:** To reduce the risk of serious personal injury, turn tool off and disconnect battery pack before making any adjustments or removing/ installing attachments or accessories. An accidental start-up can cause injury.

The charger and battery pack are not serviceable.



### Lubrication

Your power tool requires no additional lubrication.



### Cleaning



**WARNING:** Blow dirt and dust out of the main housing with dry air as often as dirt is seen collecting in and around the air vents. Wear approved eye protection and approved dust mask when performing this procedure.



**WARNING:** Never use solvents or other harsh chemicals for cleaning the non-metallic parts of the tool. These chemicals may weaken the materials used in these parts. Use a cloth dampened only with water and mild soap. Never let any liquid get inside the tool; never immerse any part of the tool into a liquid.

### Optional Accessories



**WARNING:** Since accessories, other than those offered by Mac Tools, have not been tested with this product, use of such accessories with this tool could be hazardous. To reduce the risk of injury, only Mac Tools recommended accessories should be used with this product.

Consult your dealer for further information on the appropriate accessories.

## Protecting the Environment



Separate collection. Products and batteries marked with this symbol must not be disposed of with normal household waste.

■ Products and batteries contain materials that can be recovered or recycled reducing the demand for raw materials. Please recycle electrical products and batteries according to local provisions. Further information is available at [www.2helpU.com](http://www.2helpU.com).

## Rechargeable Battery Pack

This long life battery pack must be recharged when it fails to produce sufficient power on jobs which were easily done before. At the end of its technical life, discard it with due care for our environment:

- Run the battery pack down completely, then remove it from the tool.
- Li-Ion cells are recyclable. Take them to your dealer or a local recycling station. The collected battery packs will be recycled or disposed of properly.

# SLIPEMASKIN

## MCM849

### Gratulerer!

Du har valgt et Mac Tools-verktøy. Mange års erfaring, grundig produktutvikling og innovasjon gjør Mac Tools til en meget pålitelig partner for profesjonelle brukere av elektrisk verktøy.

### Tekniske data

		MCM849
Spenning	V <sub>bc</sub>	18
Type		1
Batteritype		Li-Ion
Ubelastet hastighet	min <sup>-1</sup>	800–2200
Nominell hastighet	min <sup>-1</sup>	2200
Maks. støtteputediameter	mm	180
Spindel		M14
Vekt (uten batteripakke)	kg	1,93
Støyverdier og vibrasjonsverdier (triax vektor sum) i henhold til EN60745-2-3:		
L <sub>PA</sub> (lydtrykksnivå)	dB(A)	78
L <sub>WA</sub> (lydeffektnivå)	dB(A)	89
K (usikkerhet for det angitte støynivå)	dB(A)	3
Verdi vibrasjonsutslipp a <sub>v</sub> ,P <		
	m/s <sup>2</sup>	2,5
Usikkerhet K =	m/s <sup>2</sup>	1,5

Nivå for vibrasjon og/eller støytuslipp angitt i dette informasjonsbladet er blitt målt iht. standardiserte test gitt i EN60745, og kan brukes til å sammenligne ett verktøy med et annet. Det kan brukes til forberedende vurdering av eksponering.



**ADVARSEL:** Angitt nivå for vibrasjon og/eller støytuslipp gjelder for hovedbruksområdene for verktøyet. Dersom verktøyet brukes i andre bruksområder, med annet tilbehør eller er dårlig vedlikeholdt, kan vibrasjon og/eller støytuslipp avvike. Dette kan øke eksponeringsnivået betydelig for hele arbeidsperioden.

En vurdering av eksponeringsnivået for vibrasjon og/eller støy bør også tas med i beregningen når verktøyet er slått av eller når det går uten faktisk å gjøre en jobb. Dette kan redusere eksponeringsnivået betydelig for hele arbeidsperioden.

Kartlegg ekstra sikkerhetstiltak for beskyttelse av brukeren mot støy og/eller vibrasjonseffekter, så som vedlikehold av verktøy og tilbehør, holde hendene varme (relevant for vibrasjoner), organisering av arbeidsvanene.

### Overensstemmelseserklæring med EU

#### Maskineridirektiv



#### Slipemaskin MCM849

Mac Tools erklærer at de produktene som er beskrevet under **Tekniske data** er i samsvar med:

2006/42/EU, EN60745-1:2009+A11:2010, EN60745-2-3:2011 +A2:2013 +A11:2014+A12:2014 +A13:2015.

Disse produktene samsvarer også med direktiv 2014/30/EF og 2011/65/EF. For mer informasjon, vennligst kontakt Mac Tools på følgende adresser eller se baksiden av håndboken.

Undertegnede er ansvarlig for sammenstillingen av den tekniske filen og fremsetter denne erklæringen på vegne av Mac Tools.

Markus Rompel

Visedirektør for teknisk arbeid, PTE-Europa

Mac Tools, Richard-Klinger-Straße 11,

D-65510 Idstein, Tyskland

08.08.2019



**ADVARSEL:** Les bruksanvisningen slik at skaderisiko kan reduseres.

### Definisjoner: Retningslinjer for sikkerhet

Definisjonene nedenfor beskriver alvorlighetsnivået de enkelte signalordene er. Les brukerhåndboken og vær spesielt oppmerksom på disse symbolene.



**FARE:** Angir en eksisterende farlig situasjon som, og hvis den ikke unngås, vil føre til **dødsfall eller alvorlig personskade**.



**ADVARSEL:** Angir en potensielt farlig situasjon som, og hvis den ikke unngås, kan føre til **dødsfall eller alvorlig personskade**.



**FORSIKTIG:** Angir en potensielt farlig situasjon som, og hvis den ikke unngås, kan føre til **mindre eller moderat personskade**.

**MERK:** Angir en arbeidsmåte som ikke er relatert til personskader, men som kan føre til **skader på utstyr hvis den ikke unngås**.



Angir fare for elektrisk støt.



Angir brannfare.



Battery/Charger Matrix					
Batterier				Ladere/Ladetider (i minutter)	
Kat #	V <sub>DC</sub>	Ah	Vekt (kg)	MCB101	MCB115
MB200	18	3,0	0,64	45	45
MBR183	18	2,0	0,40	40	40
MBR184	18	5,0	0,70	75	75

## GENERELLE SIKKERHETSADVARSLER FOR ELEKTRISKE VERKTØY



**ADVARSEL:** Les alle sikkerhetsanvisninger, instruksjoner, illustrasjoner og spesifikasjoner som følger dette elektriske verktøyet. Manglende overholdelse av instruksjonene som er listet opp under kan resultere i elektrosjokk, ild og/eller alvorlig skade.

### TA VARE PÅ ALLE ADVARSLER OG INSTRUKSJONER FOR FREMTIDIG BRUK

Uttrykket "elektrisk verktøy" i advarslene henviser til ditt strømdrevne (med ledning) elektriske verktøy eller ditt batteridrevne (uten ledning) elektriske verktøy.

#### 1) Sikkerhet på arbeidsområdet

- Hold arbeidsområdet godt opplyst.** Rotete eller mørke områder er en invitasjon til ulykker.
- Ikke bruk elektriske verktøy i eksplosive omgivelser, slik som i nærheten av antenner, væsker, gasser eller støv.** Elektrisk verktøy skaper gnister som kan antenne støv eller gasser.
- Hold barn og tilskuere borte mens du bruker et elektrisk verktøy.** Distraksjoner kan føre til at du mister kontrollen.

#### 2) Elektrisk sikkerhet

- Støpselet til elektriske verktøy må passe til stikkkontakten. Aldri modifier støpselet på noen måte. Ikke bruk adaptere med jordede elektriske verktøy.** Umodifiserte støpsler og stikkontakter som passer vil redusere risikoen for elektrisk sjokk.
- Unngå kroppskontakt med jordete overflater slik som rør, radiatorer, komfyrer og kjøleskap.** Det finnes en økt risiko for elektrisk sjokk dersom kroppen din er jordet.
- Ikke eksponer elektriske verktøy for regn eller våte forhold.** Dersom det kommer vann inn i et elektrisk verktøy vil det øke risikoen for elektrisk sjokk.
- Ikke bruk ledningen feil. Aldri bruk ledningen til å bære, trekke eller dra ut støpselet til det elektriske verktøyet. Hold ledningen borte fra varme, olje, skarpe kanter eller bevegelige deler.** Skadede eller innviklede ledninger øker risikoen for elektrisk sjokk.
- Når du bruker et elektrisk verktøy utendørs, bruk en skjoteledning som er egnet for utendørs bruk.** Bruk av en skjoteledning beregnet for utendørs bruk reduserer risikoen for elektrisk sjokk.

- Dersom bruk av et elektrisk verktøy på et fuktig sted er uunngåelig, bruk en strømkilde med jordfeilbryter (RCD).** Bruk av jordfeilbryter (RCD) reduserer risikoen for elektrisk sjokk.

#### 3) Personlig sikkerhet

- Hold deg våken, hold øye med det du gjør og bruk sunn fornuft når du bruker et elektrisk verktøy. Ikke bruk et elektrisk verktøy dersom du er trøtt eller er påvirket av medikamenter, narkotika eller alkohol.** Ett øyeblikks uoppmerksomhet under bruk av elektriske verktøy kan føre til alvorlig personskade.
- Bruk personlig verneutstyr. Bruk alltid vernebriller.** Verneutstyr slik som støvmaske, sklislisire vernesko, hjelm, eller hørselsvern brukt under passende forhold vil redusere personskader.
- Unngå utilsiktet oppstart. Sikre at bryteren er i av-stillingen før du kobler til strømkilden og/eller batteripakken, plukker opp eller bærer verktøyet.** Å bære elektriske verktøy med fingeren på bryteren eller å sette inn støpselet mens elektriske verktøy har bryteren på øker faren for ulykker.
- Fjern eventuelle justeringsnøkler før du slår på det elektriske verktøyet.** En nøkkel som er festet til en roterende del av det elektriske verktøyet kan føre til personskade.
- Ikke strekk deg for langt. Ha godt fotfeste og stå støtt hele tiden.** Dette fører til at du har bedre kontroll over det elektriske verktøyet ved uventede situasjoner.
- Bruk egnet antrekk. Ikke ha på deg løstsittende klær eller smykker. Hold hår, antrekk og hansker borte fra bevegelige deler.** Løstsittende antrekk, smykker eller langt hår kan bli fanget opp av bevegelige deler.
- Hvis apparatet er utstyrt for tilkobling av støvutsugings- og -oppsamlingsinnretning, må du sørge for at disse er koblet til og ordentlig sikret.** Bruk av støvoppsamlere kan redusere støvrelaterte farer.
- Ikke la kunnskap som du har fått fra hyppig bruk av verktøy la deg bli for selvsikker slik at du ignorerer verktøyet sikkerhetsprinsipper.** En tankeløs handling kan føre til alvorlig personskade på brøkdelen av et sekund.

#### 4) Bruk og vedlikehold av elektriske verktøy

- Ikke bruk kraft på verktøyet. Bruk det elektriske verktøyet som situasjonen krever.** Det riktige elektriske verktøyet vil gjøre jobben bedre og tryggere ved den hastigheten det ble konstruert for.

- b) **Ikke bruk verktøyet hvis bryteren ikke kan slå verktøyet av eller på.** Ethvert elektrisk verktøy som ikke kan kontrolleres med bryteren er farlig og må repareres.
- c) **Koble støpselet fra strømkilden og/eller ta batteripakken av det elektriske verktøyet, hvis den er avtakbar, før du foretar noen justeringer, endrer tilbehør eller lagrer elektriske verktøy.** Slike preventive sikkerhetsforanstaltninger reduserer risikoen for å starte det elektriske verktøyet ved et uhell.
- d) **Lagre elektriske verktøy som ikke er i bruk, utilgjengelig for barn og la ikke personer som ikke er kjent med det elektriske verktøyet eller disse instruksjonene bruke det.** Elektriske verktøy er farlige i hendene på utrenede brukere.
- e) **Vedlikehold elektriske verktøy. Kontroller om bevegelige deler er feiljustert eller fastskjært, om deler er ødelagt eller andre forhold som kan påvirke driften av verktøyet. Dersom det er skadet, få verktøyet reparert før neste bruk.** Mange ulykker forårsakes av dårlig vedlikeholdte verktøy.
- f) **Hold skjæreverktøy skarpe og rene.** Godt vedlikeholdte skjæreverktøy med skarpe skjærekanter setter seg mindre sannsynlig fast og er lettere å kontrollere.
- g) **Bruk verktøyet, tilbehørene og bittene, osv., i samsvar med disse instruksjonene og ta i betraktning arbeidsforholdene og det arbeidet som skal utføres.** Bruk av det elektriske verktøyet for oppgaver som er forskjellige fra de som er tiltenkt kan føre til en farlig situasjon.
- h) **Hold håndtakene og gripeflatene tørre, rene og frie for olje og fett.** Glatte håndtak og gripeområder gir utrygg håndtering og manglende kontroll over verktøyet i uventede situasjoner.

## 5) Bruk og vedlikehold av batteridrevne verktøy

- a) **Bruk kun laderen som er spesifisert av produsenten.** En lader som passer for en type batteripakke kan føre til brannfare dersom den brukes med en annen batteripakke.
- b) **Bruk kun elektriske verktøy sammen med de spesifiserte batteripakkene.** Bruk av andre batteripakker kan skape risiko for skader eller brann.
- c) **Når batteripakken ikke er i bruk, hold den borte fra andre metallobjekter som binders, mynter, nøkler, spikere, skruer eller andre små metallobjekter som kan skape en forbindelse fra en batteripol til en annen.** Å kortslutte batteripolene kan føre til brannskader eller brann.
- d) **Ved hardhendt behandling kan det komme væske ut fra batteriet. Unngå kontakt med denne. Dersom du ved et uhell kommer i kontakt med væsken, skyll med vann. Dersom du får væsken i øynene, oppsøk lege umiddelbart.** Batterivæske kan føre til irritasjon eller forbrenninger.
- e) **Ikke bruk en batteripakke eller verktøy som er skadet eller modifisert.** Skadede eller modifiserte batterier kan

oppføre seg uforutsigbart og føre til brann, eksplosjon eller fare for personskade.

- f) **Ikke utsett en batteripakke eller et verktøy for ild eller for høy temperatur.** Ild eller temperatur over 130 °C kan føre til en eksplosjon.
- g) **Følg alle anvisninger for lading og lad ikke batteripakken eller verktøyet ved temperaturer som avviker fra området spesifisert i bruksanvisningen.** Feilaktig lading eller lading ved temperaturer utenfor det angitte område kan skade batteriet og øker brannfaren.

## 6) Vedlikehold

- a) **Få det elektriske verktøyet ditt vedlikeholdt av en kvalifisert reparatør som kun bruker originale reservedeler.** Dette vil sikre at verktøyet sikkerhet blir ivarettatt.
- b) **Utfør aldri vedlikehold på skadede batteripakker.** Vedlikehold av batteripakker skal kun utføres av produsenten eller autoriserte serviceverksteder.

## EKSTRA SPESIFIKKE SIKKERHETSREGLER

### Sikkerhetsinstruksjoner for all bruk

- a)  **Dette elektroverktøyet er beregnet for bruk til polering. Les alle sikkerhetsadvarsler, instruksjoner, illustrasjoner og spesifikasjoner som leveres med dette elektroverktøyet.** Manglende overholdelse av instruksjonene som er listet opp under kan resultere i elektroshock, ild og/eller alvorlig skade.
- b)  **Det anbefales ikke å bruke dette elektroverktøyet til sliping, stålborsting eller kapping.** Dersom elektroverktøyet brukes til andre oppgaver enn det er tiltenkt, kan det føre til fare og forårsake personskade.
- c)  **Ikke bruk tilbehør som ikke er spesifikt konstruert og anbefalt fra produsenten av verktøyet.** Selv om tilbehøret kan kobles til elektroverktøyet, sikrer ikke dette trygg drift.
- d)  **Merke hastighet på tilbehøret må være minst lik maksimal hastighet som er angitt på elektroverktøyet.** Tilbehør som går fortere enn merkehastigheten sin, kan bli ødelagt og fly i stykker.
- e)  **Utvending diameter og tykkelse på tilbehøret må være innenfor nominell kapasitet for elektroverktøyet.** Tilbehør av feil størrelse kan ikke sikres og kontrolleres tilstrekkelig.
- f)  **Gjenget feste på tilbehør må passe til slipemaskinens gjenger. For tilbehør montert på flens, må senterhullet på tilbehøret passe til diameteren på flensen.** Tilbehør som ikke passer monteringsdelene på elektroverktøyet, vil rotere eksentrisk, vibrere for mye og kan føre til at du mister kontrollen.
- g)  **Ikke bruk skadet tilbehør. Før hver bruk må du inspirere tilbehøret, som slipeskiven, for hakk og sprekker, festeplatene må inspiseres for sprekker, rifter eller slitasje, og stålborsten må inspiseres for løse eller sprukne tråder. Dersom elektroverktøyet eller tilbehøret slippes ved et uhell,**

**må du kontrollere om det er skadet eller montere uskadet tilbehør. Etter å ha inspisert og installert et tilbehør, still deg selv og eventuelle tilstedeværende bort fra banen til det roterende tilbehøret og kjør elektroverktøyet på maksimal, ubelastet hastighet i ett minutt. Skadet tilbehør vil normalt rives i stykker under denne testen.**

- h) **Bruk personlig verneutstyr. Avhengig av bruksområdet må du bruke ansiktsvern eller vernebriller. Bruk støvmaske, hørselvern, hansker og verkstedforkle som kan stoppe små slipefragmenter eller deler fra arbeidsstykket.** Øyebeskyttelsen må kunne stoppe flygende biter som kan løsne fra arbeidsstykket. Støvmasken eller åndedrettsvernet må kunne filtrere partikler som oppstår under arbeid. Langvarig eksponering for høyintensiv støy kan føre til hørselstap.
- i) **Hold tilskuere på trygg avstand fra arbeidsområdet. Personer som går inn i arbeidsområdet, må bruke personlig verneutstyr.** Fragmenter fra arbeidsstykket eller ødelagt tilbehør kan fly av gårde, og kan føre til skader langt ut over det umiddelbare arbeidsområdet.
- j) **Plasser ledningen slik at den ikke kommer i kontakt med roterende tilbehør.** Hvis du mister kontrollen, kan ledningen bli kuttet av eller henge seg fast, og hånden eller armen din kan bli dratt inn i det roterende tilbehøret.
- k) **Ikke legg elektroverktøyet ned før tilbehøret har stanset helt.** Det roterende tilbehøret kan ta tak i overflaten og trekke elektroverktøyet ut av kontrollen din.
- l) **Ikke la elektroverktøyet gå mens du bærer det langs siden din.** Utilsiktet kontakt med det roterende tilbehøret kan føre til at det kjører seg fast i klærne dine og trekker tilbehøret inn i kroppen din.
- m) **Luftåpningene på elektroverktøyet må rengjøres regelmessig.** Motorviften vil trekke støvet inn i kabinettet, og overskytende oppsamling av forstøvet metall kan føre til elektriske farlige situasjoner.
- n) **Ikke bruk elektroverktøyet i nærheten av antennelige materialer.** Gnister kan antenne dette materialet.
- o) **Ikke bruk tilbehør som krever flytende kjølemidler.** Bruk av vann eller andre flytende kjølemidler kan føre til elektrisk støt eller sjokk.
- p) **Bruk alltid sidehåndtaket. Trekk håndtaket godt til.** Sidehåndtaket bør alltid brukes for til en hver tid å ha kontroll på verktøyet.

## SIKKERHETSINSTRUKSJONER FOR ALL BRUK

### Årsaker til, og hvordan man unngår tilbakeslag

Tilbakeslag er en plutselig reaksjon på et fastklemt eller fastkjørt roterende skive, støttetallerken, børste eller annet tilbehør. Fastklemming eller fastkjøring forårsaker at det roterende tilbehøret stopper raskt, hvilket i sin tur forårsaker at det ukontrollerbare elektroverktøyet slynges i motsatt retning i forhold rotasjonsretningen på tilbehøret.

For eksempel, hvis en slipeskive kjøres fast eller klemmes fast i arbeidsstykket, kan kanten av den skiven som går inn i klempunktet grave seg inn i overflaten på materialet og føre til at skiven hopper ut eller kastes ut. Skiven kan enten hoppe mot eller bort fra brukeren, avhengig av hvilken vei skiven roterte da den klemte seg fast. Slipeskiver kan også bli ødelagt under slike forhold.

Tilbakeslag er resultatet av feil bruk av verktøyet og/eller feil driftsprosedyrer eller betingelser, og kan unngås ved å treffe skikkelige forholdsregler, som angitt nedenfor:

- Sørg for et godt grep på elektroverktøyet, og plasser kroppen og armene slik at du kan stå imot tilbakeslagskrefter. Bruk alltid hjelpehåndtaket, dersom montert, for maksimal kontroll på tilbakeslag eller momentreaksjon under oppstart.** Brukeren kan kontrollere momentreaksjonen eller tilbakeslagskreftene hvis det er tatt tilstrekkelige forholdsregler.
- Plasser aldri hånden i nærheten av det roterende tilbehøret.** Tilbehøret kan slå tilbake over hånden.
- Ikke plasser kroppen i det området elektroverktøyet vil bevege seg hvis det oppstår tilbakeslag.** Et tilbakeslag vil drive fram verktøyet i motsatt retning av skivens rotasjonsretning i det punktet der den kjørte seg fast.
- Vær særlig forsiktig under bearbeiding av hjørner, skarpe kanter osv. Unngå at tilbehøret hopper og kjører seg fast.** Hjørner, skarpe kanter eller hopping har en tendens til å kjøre fast det roterende tilbehøret og føre til tilbakeslag eller at du mister kontrollen.
- Ikke fest et sagkjedeblad eller et tannet sagblad.** Slike blad fører ofte til tilbakeslag og at du mister kontrollen.

### Spesifikke sikkerhetsadvarsler for polering

- Ikke la løse deler på poleringsshetten eller tilbehørsstrenger rotere fritt. Gjem eller kutt av løse tilbehørsstrenger.** Løse og roterende tilbehørsstrenger kan snurre seg rundt fingrene dine eller kjøre seg fast i arbeidsstykket.

### Ekstra sikkerhetsregler spesielt for poleringsmaskiner

- Rengjør verktøyet ofte, spesielt etter tung bruk.** Støv og smuss som inneholder metallpartikler kan ofte samle seg på innvendige flater og kan føre til fare for elektrisk støt.
- Ikke bruk dette verktøyet i lange perioder.** Vibrasjon på grunn av bruken av dette verktøyet kan føre til skader på fingre, hender og armer. Bruk hansker for å gi ekstra demping, ta ekstra hvileperioder og begrens daglig bruk.
- Luftehull dekker ofte bevegelige deler og skal unngås.** Løstsittende antrekk, smykker eller langt hår kan bli fanget opp av bevegelige deler.
- Sørg for at bryteren er i låseposisjon når enheten ikke er i bruk og før du kobler til strøm eller en batteripakke.**

## Restrisikoer

Til tross for at man følger relevante sikkerhetsbestemmelser og bruker sikkerhetsutstyr, er det bestemte farer som ikke kan unngås. De er:

- Hørselskader.
- Fare for personskade pga. flygende partikler.
- Fare for brannskader fordi utstyr blir varmt under bruk.
- Fare for personskade ved langvarig bruk.

### TA VARE PÅ DENNE BRUKSANVISNINGEN

## Ladere

Mac Tools ladere trenger ingen justeringer, og er designet til å være så enkle som mulig å bruke.

### Elektrisk sikkerhet

Den elektriske motoren er blitt konstruert for kun én spenning. Alltid kontroller at spenningen til batteripakken samsvarer med spenningen på merkeskiltet. Sørg også for at spenningen på laderen samsvarer med spenningen på strømmettet.



Din Mac Tools-lader er dobbeltisolert i samsvar med EN60335; det trengs derfor ikke noen jordledning.

Dersom tilførselsledningen er skadet, må den byttes i en spesialledning som fås via Mac Tools-serviceorganisasjon.

### Bruk av skjøteledning

Skjøteledning bør ikke brukes hvis det ikke er absolutt nødvendig. Bruk en godkjent skjøteledning som egner seg for kraftforsyningen til din lader (se **Tekniske data**). Minimum størrelse på ledere er 1 mm<sup>2</sup>; maksimum lengde er 30 m. Alltid vikle ut kabelen fullstendig når du bruker en kabeltrommel.

### Viktige sikkerhetsinstruksjoner for alle batteriladere

**TA VARE PÅ DENNE BRUKSANVISNINGEN:** Denne manualen inneholder viktige sikkerhetsanvisninger og bruksanvisninger for compatible batteriladere (se **Tekniske data**).

- Før du bruker laderen les alle instruksjoner og advarselmerker på laderen, batteripakken og produktet som bruker batteripakken.



**ADVARSEL:** Fare for støt. Ikke la væske komme inn i laderen. Det kan resultere i elektrisk støt.



**ADVARSEL:** Vi anbefaler bruk av en jordfeilsikring med en nominell strømverdi på 30mA eller mindre.



**FORSIKTIG:** Fare for brannskader. For å redusere faren for skader, lad kun Mac Tools oppladbare batterier. Andre type batterier kan sprekke og forårsake personskader og materielle skader.



**FORSIKTIG:** Barn må holdes under oppsyn, sørg for at de ikke leker med apparatet.

**MERK:** Under visse forhold, med laderen innpluggert i strømforsyningen, kan de eksponerte kontaktene i laderen kortsluttes av fremmedlegemer. Fremmedlegemer som kan lede strøm, inkludert, men ikke begrenset til stålull, aluminiumsfolie eller annen ansamling av metalliske

partikler, må holdes unna åpningene i laderen. Kople alltid laderen fra strømtilførselen når det ikke er en batteripakk i hulrommet. Kople fra laderen før rengjøring.

- **IKKE forsøk å lade batteripakken med andre ladere enn de som er nevnt i denne manualen.** Laderen og batteripakken er spesielt designet for å jobbe sammen.
- **Disse ladere er ikke ment for annen bruk enn lading av Mac Tools oppladbare batterier.** Annen bruk kan resultere i brannfare og/eller elektrisk støt.
- **Ikke utsett laderen for regn eller snø.**
- **Dra i kontakten og ikke ledningen når du kople laderen fra strømmen.** Dette reduserer faren for skade på kontakten og ledningen.
- **Påse at ledningen er plassert slik at den ikke trækkes på, snubles i, eller på annen måte utsettes for skade eller påkjenning.**
- **Ikke bruk skjøteledning med mindre det er helt nødvendig.** Bruk av feil skjøteledning kan resultere i brannfare og/eller elektrisk støt.
- **Ikke plasser noe på laderen og ikke plasser laderen på en myk overflate som kan blokkere ventilasjonsslissene og resultere i for høy innvendig temperatur.** Plasser laderen et sted unna varmekilder. Laderen ventileres gjennom slisser i toppen og bunnen av huset.
- **Ikke bruk lader med skadet ledning eller kontakt**—bytt dem ut med en gang.
- **Ikke bruk laderen dersom den har fått et slag, er mistet i gulvet eller skadet på annen måte.** Lever den på et autorisert serviceverksted.
- **Ikke ta laderen fra hverandre; lever den på et autorisert serviceverksted når service eller reparasjon trenges.** Å sette den sammen feil kan resultere i elektrisk støt eller brann.
- Dersom ledningen er skadet må den byttes ut med en gang av produsenten, dens serviceagent eller lignende kvalifisert person for å unngå farer.
- **Kople laderen fra strømtilførselen før du begynner med rengjøring.** Dette reduserer faren for elektrisk støt. Fjerning av batteripakken reduserer ikke denne faren.
- **ALDRI forsøk på kople 2 ladere sammen.**
- **Laderen er designet for å bruke standard 230V elektrisk strøm. Ikke forsøk å bruke den på annen spenning.** Dette gjelder ikke billaderen.

### Lade et batteri (Fig. B)

1. Plugg inn laderen i en passende stikkontakt for du setter inn batteripakken.
2. Sett batteripakken 1 i laderen, pass på at batteripakken sitter godt i laderen. Det røde (lade) lyset blinker gjentatt som indikasjon på at ladeprosessen er startet.
3. Fullført lading vises ved at det røde lyset er PÅ konstant. Pakken er da fullt oppladet og kan brukes, eller den kan bli stående i laderen. For å ta batteripakken ut av arbeidspakken, trykk inn og hold låseknappen 2 på batteripakken og ta den av.

**MERK:** For å sikre maksimum ytelse og levetid på Li-Ion batteripakker, lad batteripakken helt opp før første gangs bruk.

## Bruk av lader

Se indikatorene under for batteripakkens ladetilstand.

Ladeindikatorer	
	lading 
	fulladet 
	varm/kald lade-forsinkelse* 

\*Det røde lyset vil fortsette å blinke, men et gult indikatorlys vil lyse under denne operasjonen. Når batteriet har kjølt seg ned, vil det gule lyset bli slått av og laderen vil gjenoppta ladeprosedyren.

Kompatible ladere vil ikke lade en defekt batteripakke. Laderen vil indikere et defekt batteri ved at lyset ikke tennes.

**MERK:** Dette kan også tyde på et problem med laderen.

Dersom laderen indikerer et problem, ta med lader og batteripakke til et servicesenter for testing.

### Ventetid for varm/kald pakke

Dersom laderen detekterer et batteri som er for varmt eller for kaldt, vil den automatisk starte en "varm/kald pakke forsinkelse", og venter med å lade til batteriet har passende temperatur. Laderen vil deretter automatisk skifte til lademodus for pakken. Denne funksjonen sikrer maksimal levetid på batteriet.

En kald batteripakke vil lade langsommere enn en varm batteripakke. Batteripakken vil lade langsommere gjennom hele ladesyklusen, og vil ikke gå tilbake til maksimal ladehastighet selv om batteriet blir varmt.

### Elektronisk beskyttelsessystem

Mac tools Li-ione verktøy er designet med et elektronisk beskyttelsessystem som vil beskytte batteriet mot overlading, overoppvarming eller dyp utlading.

Verktøyet vil automatisk slå seg av dersom beskyttelsessystemet aktiveres (Electronic Protection System). Dersom det skjer, sett litium-ion batteriet på laderen til det er helt oppladet igjen.

### Veggmontering

Disse laderne er designet for å monteres på vegg eller stå på et bord eller arbeidsbenk. Dersom den skal monteres på veggen, plasser laderen innen rekkevidde fra en stikkontakt og unna hjørner eller andre hindringer som kan stoppe luftstrømmen. Bruk baksiden av laderen som mal for å bore hull i veggen for monteringsskruene. Monter laderen godt med gipskruer (må kjøpes separat) minst 25,4 mm lange med hodediameter 7–9 mm, som skrues inn i treverk til optimal dybde med omtrent 5,5 mm av skruen som stikker ut. Rett inn sporene på baksiden av laderen med de utstikkende skruene og lås på plass i sporene.

### Rengjøringsanvisninger for lader

**⚠ ADVARSEL: Fare for støt. Koble laderen fra strømuttaket før rengjøring.** Smuss og fett kan fjernes fra laderen ved hjelp av en klut eller en myk, metallfri børste. Ikke bruk vann eller rengjøringsvæsker. Aldri la

noen væske trenge inn i verktøyet; aldri dypp noen del av verktøyet i en væske.

## Batteripakke

### Viktige sikkerhetsinstruksjoner for alle batteripakker

Sørg for å inkludere katalognummer og spenning når du bestiller nye batteripakker.

Batteriet kommer ikke fullstendig ladet ut av pakningen. Les sikkerhetsinstruksjonene under før du bruker batteripakken og laderen. Følg deretter ladeprosedyrene som er beskrevet.

### LES ALLE INSTRUKSJONER

- **Ikke lad eller bruk batteriet i eksplosive omgivelser, slik som i nærheten av antenner, væsker, gasser eller støv.** Innsetting eller uttak av batteriet kan antenne støvet eller gassen.
- **Tving aldri batteripakken inn i laderen. Ikke modifier batteripakken på noen måte for å passe inn i en ikke-kompatibel lader idet batteripakken kan sprekke og forårsake alvorlig personskade.**
- *Lad batteripakkene kun i Mac Tools ladere.*
- **IKKE sprut på eller senke ned i vann eller andre væsker.**
- **Oppbevar og bruk ikke verktøyet og batteripakken på steder hvor temperaturen kan falle under 4 °C (34 °F) (slik som skur utendørs eller metallbygninger om vinteren) eller overskride 4 °C (34 °F) (slik som skur utendørs eller metallbygninger om sommeren).**
- **Ikke brenn batteripakken selv om den er alvorlig skadet eller fullstendig utslitt.** Batteripakken kan eksplodere i en brann. Giftige gasser og materialer oppstår når man brenner litium ion-batteripakker.
- **Hvis batteriets innhold kommer i kontakt med huden, vasker du området med mild såpe og vann.** Hvis du får batterivæske på øyet, skyller du det åpne øyet i 15 minutter eller til irritasjonen gir seg. I tillegg det trenge medisinsk tilsyn, er batteriets elektrolytt sammensatt av en blanding av organiske karbonater og litium-salter.
- **Innholdet i åpne battericeller kan forårsake irritasjon av luftveiene.** Skaff frisk luft. Søk medisinsk ettersyn hvis symptomene vedvarer.



**ADVARSEL:** Fare for brannskader. Batterivæskene kan antennes hvis den utsettes for gnister eller flammer.



**ADVARSEL:** Forsøk aldri å åpne batteripakken av noen årsak. Ikke sett i laderen dersom batteripakkens ytre er sprukket eller skadet. Ikke knus, slipp i gulvet eller skad batteripakken. Ikke bruk en batteripakke eller lader som har fått et slag, er mistet i gulvet, påkjørt eller skadet på annen måte (f.eks. gjennomboet av en spiker, slått med hammer, tråkket på). Det kan resultere i elektrisk støt. Skadede batteripakker skal leveres til servicesenteret for gjenvinning.



**ADVARSEL:** Fare for brann. Ikke lagre eller transporter batteripakken slik at batteripolene kan komme i kontakt med metallobjekter. For eksempel, ikke legg batteriet i forkle, lomme, verktøyskrin,

produktesker, skuffer etc. sammen med løse spikere, skruer, nøkler, etc.



**FORSIKTIG: Når det ikke er i bruk plasser verktøyet på siden på en stabil overflate der det ikke skaper fare for snubling eller fall.** Noen verktøy med store batteripakker kan stå på batteripakken, men kan lettes slås overende.

## Transport



**ADVARSEL: Fare for brann.** Transport av batterier kan kanskje føre til brann dersom batteripolene utilsiktet kommer i kontakt med elektrisk ledende materialer. Ved transport av batterier, pass på at batteripolene er beskyttet og godt isolerte fra materialer som kan komme i kontakt og føre til kortslutning.

**MERK:** Lithium-ione batterier skal ikke være med i innsjekket bagasje.

Mac Tools batterier samsvarer med alle aktuelle shipping-forskrifter som angitt av bransjen og lovregler, inkludert UN Recommendations on the Transport of Dangerous Goods; International Air Transport Association (IATA) Dangerous Goods Regulations, International Maritime Dangerous Goods (IMDG) Regulations, og European Agreement Concerning The International Carriage of Dangerous Goods by Road (ADR). Litium-ion celler og batterier er testet i henhold til avsnitt 38,3 i "UN Recommendations on the Transport of Dangerous Goods Manual of Tests and Criteria".

I de fleste tilfeller vil forsendelse av en Mac Tools batteripakke være unntatt fra klassifisering som en fullt regulert Class 9 Hazardous Material. Vanligvis vil bare forsendelser som inneholder et litium-ione batteri med høyere energiklassifisering enn 100 watt-timer (Wh) kreve forsendelse som fullt regulert Class 9. Alle litium-ione batterier har angitt watt-timer på pakken. Men på grunn av de kompliserte reglene anbefaler Mac Tools ikke å sende litium-ione batteripakker med fly, uansett watt-time klassifisering. Forsendelser av verktøy med batterier (kombinerte sett) kan unntaksvis sendes med fly dersom angitt watt-timer på batteripakken er under 100 Wh.

Uansett om en transport regnes som unntatt eller fullt regulert, er det senderens ansvar å sjekke de gjeldende reglene for pakking, etiketter/merking og dokumentasjon.

Informasjonen i dette avsnittet av manualen er gitt i god tro og ansett som nøyaktig på tidspunktet dokumentet ble opprettet. Men det gis ingen garantier, hverken eksplisitt eller implisitt. Det er kjøperens ansvar å sikre at aktivitetene samsvarer med de gjeldende retningslinjer.

## Batteritype

MCM849 bruker en 18 volt batteripakke.

Disse batteripakkene kan brukes: MB200, MBR183, MBR184. Se

**Tekniske data** for mer informasjon.

## Pakkens innhold

Pakken inneholder:

- 1 Poleringsmaskin
- 1 Sidehåndtak
- 2 Beskyttelsesplater mot lo

- 1 180 mm borrelås festeplate
- 1 Li-ion batteripakke (C1, D1, L1, M1, P1, S1, T1, X1, Y1 modeller)
- 2 Li-ion batteripakker (C2, D2, L2, M2, P2, S2, T2, X2, Y2 modeller)
- 3 Li-ion batteripakker (C3, D3, L3, M3, P3, S3, T3, X3, Y3 modeller)
- 1 Instruksjonshåndbok

**MERK:** Batteripakker, ladere og kofferter er ikke inkludert med N-modeller. Batteripakker og ladere er ikke inkludert med NT-modeller. B-modeller inkluderer Bluetooth® batteripakker.

**MERK:** Bluetooth® ordmerke og logoer er varemerker eiet av Bluetooth®, SIG, Inc. og all bruk av slike merker ved Mac Tools er under lisens. Andre varemerker og merkenavn er eiet av sine respektive eiere.

- Se etter skader på verktøyet, deler eller tilbehør som kan ha oppstått under transport.
- Ta deg tid til å lese grundig gjennom og forstå denne håndboken før bruk.

## Merking på verktøyet

Følgende piktogrammer vises på verktøyet:



Les instruksjonshåndboken før bruk.



Bruk hørselvern.



Bruk vernebriller.

## Datokode plassering (Fig. A)

Datokoden **12**, som også inkluderer produksjonsåret, er trykket på huset.

Eksempel:

2019 XX XX  
Produksjonsår

## Beskrivelse (Fig. A)



**ADVARSEL:** Aldri modifier elektroverktøyet eller noen del av det. Dette kan føre til materiell- eller personskader.

- 1 Batteripakken
- 2 Festeknapp for batteriet
- 3 Hastighetskontrollhjul
- 4 Beskyttende verktøystøtte
- 5 Avtrekksbryter for variabel hastighet
- 6 Spindellåseknapp
- 7 Ekstrahåndtak
- 8 Spindel
- 9 Mykt gummi girkassehåndtak
- 10 Beskyttelsesplate mot lo
- 11 Lås på-knapp

## Tiltenkt Bruk

Den kraftige MCM849 poleringsmaskinen er designet for profesjonelt bruk til polering av malte eller umalte metall-, glassfiber- og komposittflater. Vanlige eksempler inkluderer, men begrenser seg ikke til: detaljer og overflatebehandling av bil/båt/RV/motorsykel, båtbygging og reparasjon og sluttbehandling av metall og betong.

**IKKE** bruk når det er vått eller i nærheten av antenkelige væsker eller gasser.

Denne bestandige slipemaskinen er et profesjonelt elektroverktøy.

**IKKE** la barn komme i kontakt med verktøyet. Uerfarne operatører trenger tilsyn når de bruker dette verktøyet.

- Dette apparatet er ikke ment for bruk av personer (inkludert barn) med reduserte fysiske, sensoriske eller mentale evner, eller mangel på erfaring og kunnskap, med mindre de får tilsyn av en person ansvarlig for deres sikkerhet. Barn skal aldri forlates alene med dette produktet.

## MONTERING OG JUSTERING

**ADVARSEL:** For å redusere risikoen for alvorlig personskade, slå av verktøyet og koble fra batteripakken før du foretar eventuelle justeringer eller fjerner/installerer tilleggsutstyr eller tilbehør. En utilsiktet oppstart kan føre til personskader.

**ADVARSEL:** Bruk kun batteripakker og ladere fra Mac Tools.

## Sette inn og ta av batteripakke på verktøyet (Fig. B)

**MERK:** For best resultat, pass på at batteripakken 1 er helt oppladet før bruk.

### For å installere batteripakken i verktøyets håndtak

1. Rett inn batteripakken 1 mot skinnene i håndtaket (Fig. B).
2. Skyv den inn i håndtaket til batteripakken er godt festet i verktøyet, pass på at den ikke løsner.

### For å fjerne batteripakken fra verktøyet

1. Trykk batteriets festeknapp 2 og trekk batteriet bestemt ut av håndtaket.
2. Sett batteripakken i laderen som beskrevet i laderavsnittet i denne manualen.

## Ladeindikator batteripakker (Fig. B)

Noen Mac Tools batteripakker inkluderer en ladeindikator som består av tre grønne LED som indikerer hvor mye lading som er igjen i batteripakken.

For å aktivere ladeindikatoren, trykk og hold indikatorknappen 13. En kombinasjon av tre grønne LED-lys vil lyse og vise gjenværende lading. Dersom gjenværende lading av batteriet er under brukbar grense, vil ingen lys tennes og batteriet må lades opp.

**MERK:** Ladeindikatoren er bare en indikasjon av gjenværende lading i batteripakken. Den gir ingen indikasjon på om verktøyet fortsatt kan brukes, og kan variere med produktkomponentene, temperatur og brukerens bruksområde.

## Hjelpéhåndtak (Fig. A)

**ADVARSEL:** Før bruk av verktøyet, kontroller at håndtaket er forsvarlig festet.

Et hjelpéhåndtak 7 leveres med verktøyet og kan monteres på begge sider av girkassen. Dette håndtak skal alltid brukes for å beholde komplett kontroll over verktøyet.

## Beskyttelsesplater mot lo (Fig. A)

Beskyttelsesplatene mot lo 10 er designet for å redusere mengden med ull, støv og avfall som suges inn i motoren under vanlig bruk.

Rengjør platene så snart du ser at det bygger seg opp på utsiden. For å rengjøre beskyttelsesplatene mot lo:

Hver beskyttelsesplate kan enkelt tas av for rengjøring. Du kan skyve inn en finger eller mynt under demonteringsfordypningen for å koble fra dekslet.

## Spindel låseknap (Fig. A)

**MERK:** For å redusere risikoen for skade på verktøyet, slå ikke på spindellåsen når verktøyet er i bruk. Dette vil resultere i skader på verktøyet og tilbehøret kan komme til å rotere av og dermed forårsake personskade.

For å hindre verktøyets spindel i å rotere under montering eller demontering av tilbehør finnes en spindellåseknap 6 i verktøyets girhode.

For å låse spindelen trykk og hold låseknapen. TRYKK ALDRI SPINDELLÅSEKNAPPEN MENS VERKTØYET KJØRER.

## Sette på og ta av poleringsputer (Fig. A, C, D)

**ADVARSEL:** For å minske faren for alvorlig personskade la ikke løse deler på poleringsshetten eller tilbehørsstrenger rotere fritt. Gjem eller kutt av løse tilbehørsstrenger. Løse og roterende tilbehørsstrenger kan snurre seg rundt fingrene dine eller kjøre seg fast i arbeidsstykket.

Poleringsskiver med en diameter på opptil 180 mm kan brukes med MCM849.

**MERK:** MCM849. kan bruke de typer poleringsputer som er beskrevet nedenfor.

### Feste poleringsputen med gummi festeplate (Fig. A, C)

1. Sett inn i det sekskantede hullet i festeplaten 18. Hold festeskiven 17 og festeplaten godt sammen og plasser på verktøyets spindel 8.
2. Hold spindel låseknapen 6 mens du dreier festplaten og festskiven med klokken for å skru de helt inn på spindelen. Stram godt for hånd.
3. Fest poleringsputen 16 på festeplaten.

## Feste poleringspute til borrelås festeplaten (Fig. A, D)

1. Sett inn sentreringshylsen **19** i det midtre hullet i kroken og bakplaten **15**.
2. Innrett det midtre hullet på kroken og bakplaten **20** med sentreringshylsen **19**, og fest skiven på kroken, og bakplaten **15**.
3. Skru festeplaten på spindelen **8**, mens du trykker inn spindellåseknappen **6**.

## Fjerne putene

Vri putene for hånd i motsatte retning til normal rotasjon slik at låseknappen bringes i inngrep med spindelen, og skru av putene i normal retning for høyre gjenging.

## Før bruk

1. Påse at poleringsputen er riktig montert.
2. Påse at puten roterer i den retningen som angis av pilene på tilbehørsdelen og verktøyet.
3. Påse at overflaten på arbeidsstykket er helt rent.

## BRUK

### Bruksanvisning



**ADVARSEL:** Ta alltid hensyn til sikkerhetsinstruksjonene og gjeldende forskrifter.



**ADVARSEL:** For å redusere risikoen for alvorlig personskade, slå av verktøyet og koble fra batteripakken før du foretar eventuelle justeringer eller fjerner/installerer tilleggsutstyr eller tilbehør. En utilsiktet oppstart kan føre til personskader.

### Korrekt plassering av hendene (Fig. E)



**ADVARSEL:** For å redusere faren for alvorlig personskade, skal man **ALLTID** ha hendene i korrekt posisjon, som vist.



**ADVARSEL:** For å redusere faren for personskade, skal man **ALLTID** holde godt fast, for å være forberedt på en plutselig reaksjon.

Riktig stilling for hendene krever en hånd på sidehåndtaket **7** og den andre på hovedhåndtaket **14**, eller en hånd på hovedhåndtaket og en hånd på det myke gummigrepet **9** på girhuset.

## Avtrekkerbryter for variabel hastighet (Fig. A)

Avtrekkerbryter for variabel hastighet tillater hastighetskontroll fra 0 til 2200 RPM.

For å slå på verktøyet klem på avtrekkerbryteren **5**. Jo mer du klemmer avtrekkerbryteren, desto raskere roterer verktøyet. Ved å slippe avtrekkeren slås motoren av.

Bruk lavere hastigheter for å påføre blandinger, og høyere hastigheter for polering.

### Avtrekker låseknapp

Verktøyet kan låses på for kontinuerlig bruk ved å klemme avtrekkerbryteren **5** helt og trykke inn låseknappen **11**

vist i figur A. Hold låseknappen inne idet du forsiktig slipper avtrekkerbryteren.

For å slå av verktøyet når den er låst på, klem avtrekkeren og slipp avtrekkerbryteren en gang.

**MERK:** Avtrekkerbryteren kan kun låses på mens verktøyet kjører på maksimum RPM angitt av hastighetskontroll hjulet **3**.

## Hastighetskontroll hjul (Fig. A)

Verktøyets maksimum hastighet kan endres ved å rotere hastighetskontrollhjulet **3** til ønsket innstilling. For ekstra allsidighet kan avtrekkerbryteren **5** låses i på-stillingen, og du kan endre verktøyets hastighet ved bruk av hastighetskontrollhjulet alene.

Hastighetskontrollhjulet kan stilles inn på en hvilken som helst hastighet mellom 800 og 2200 RPM, og avtrekkerbryteren for variabel hastighet vil da kontrollere verktøyets hastighet fra null til innstillingen av hjulet. For eksempel: Innstilling av kontrollhjulet på 2200 RPM lar avtrekkerbryteren for variabel hastighet kontrollere verktøyets hastighet mellom null og 2200 RPM, avhengig av hvor langt inn avtrekkerbryteren trykkes.

### Elektronisk hastighetskontroll

Den elektroniske hastighetskontrollen fungerer når avtrekkerbryteren er trykket helt inn og verktøyet kjører i den valgte hastigheten bestemt av innstillingen til kontrollhjulet. Når du belaster verktøyet ved å trykke det ned på arbeidsflaten, kompenseres verktøyet for belastningen og beholder den valgte hastigheten. Dersom hastigheten valgt av kontrollhjulet er 2200 RPM, vil verktøyet beholde 2200 RPM idet det belastes.

- Den elektroniske hastighetskontrollen fungerer kun når avtrekkerbryteren **5** er trykket helt inn.
- Effekten av elektronisk hastighetskontroll er mye lettere å se ved lavere hastigheter (1400 RPM og lavere) enn ved høye hastigheter.

En konvensjonell poleringsmaskin som kjører i en ubelastet hastighet på 2200 RPM bremses til ca. 1800 RPM ved belastning under polering. Slipemaskinen fortsetter å kjøre i 2200 RPM (eller den hastigheten du har valgt med kontrollhjulet) når den settes under belastning. Dersom hastigheten er for høy, bremses farten enten med avtrekkerbryteren eller kontrollhjulet.

## Polering (Fig. E)

1. Uten å slå på verktøyet, ta tak i håndtakene på verktøyet og løft det opp.
2. Hold verktøyet unna kroppen og trykk avtrekkerbryteren.
3. Sørg for at du har et godt grep om håndtakene.
4. Beveg verktøyet jevnt over overflaten på arbeidsstykket, uten å trykke ned.
5. Slå av maskinen før du løfter verktøyet opp fra overflaten.
6. Kontroller arbeidet ofte.

Hjelpehåndtaket **7** kan enkelt byttes fra den ene til den andre siden, for venstre- eller høyrehendt bruk.

Utvis stor aktsomhet når du bruker elektroverktøyet rundt eller over skarpe objekter og konturer. Det er meget viktig å bruke riktig trykk ved polering av de forskjellige deler av et bilkarosseri.



## VEDLIKEHOLD

Ditt elektriske verktøy er designet for å virke over en lang tidsperiode med et minimum av vedlikehold. Kontinuerlig tilfredsstillende drift avhenger av tilfredsstillende stell av verktøyet og regelmessig renhold.



**ADVARSEL:** For å redusere risikoen for alvorlig personskade, slå av verktøyet og koble fra batteripakken før du foretar eventuelle justeringer eller fjerner/installerer tilleggsutstyr eller tilbehør. En utilsiktet oppstart kan føre til personskader.

Laderen og batteripakken er vedlikeholdsfrie.



## Smøring

Ditt elektriske verktøy trenger ikke ekstra smøring.



## Rengjøring



**ADVARSEL:** Blås skitt og støv ut av hovedkabinettet med tørr luft når skitt samles inne i og rundt luftåpningene. Bruk godkjent øyebeskyttelse og godkjent støvmaske når du utfører denne prosedyren.



**ADVARSEL:** Aldri bruk løsemidler eller sterke kjemikalier for å rengjøre ikke-metalliske deler av verktøyet. Disse kjemikaliene kan svekke materialene som brukes i disse delene. Bruk en klut som bare er fuktet med vann og mild såpe. Aldri la noen væske trenge inn i verktøyet; aldri dypp noen del av verktøyet i en væske.

## Tilleggsutstyr



**ADVARSEL:** Bruk av annet tilleggsutstyr enn det som tilbys av Mac Tools kan være farlig, ettersom dette ikke er testet sammen med dette verktøyet. For å redusere faren for skader, bør kun tilleggsutstyr som er anbefalt av Mac Tools brukes sammen med dette produktet.

Ta kontakt med din forhandler for ytterligere informasjon om egnet ekstrautstyr.

## Beskyttelse av miljøet



Separat innsamling. Produkter og batterier merket med dette symbolet skal ikke kastes i vanlig husholdningsavfall.

Produkter og batterier inneholder materialer som kan gjenvinnes eller gjenbrukes, som reduserer behovet for råmaterialer. Vennligst lever elektriske produkter og batterier til gjenbruk i henhold til lokale regler. Mer informasjon får du på [www.2helpU.com](http://www.2helpU.com).

## Oppladbar batteripakke

Denne langtidts batteripakken må lades på nytt når den ikke lenger produserer nok strøm til jobber som enkelt kunne utføres tidligere. Ta hensyn til miljøet når batteripakken må kasseres:

- Lad batteripakken helt ut, og ta den ut av verktøyet.
- Litium-ion celler kan gjenbrukes. Lever dem til forhandleren eller en lokal gjenbruksstasjon. De innleverte batteripakkene vil gjenbrukes eller avfallsbehandles korrekt.





