

**DEWALT**®

**XR**®

---

English ( <b>original instructions</b> )	3
--	---

---

Русский ( <i>перевод с оригинала инструкции</i> )	15
---	----

---

Українська ( <i>переклад з оригінальної інструкції</i> )	32
--	----

---

Fig. A

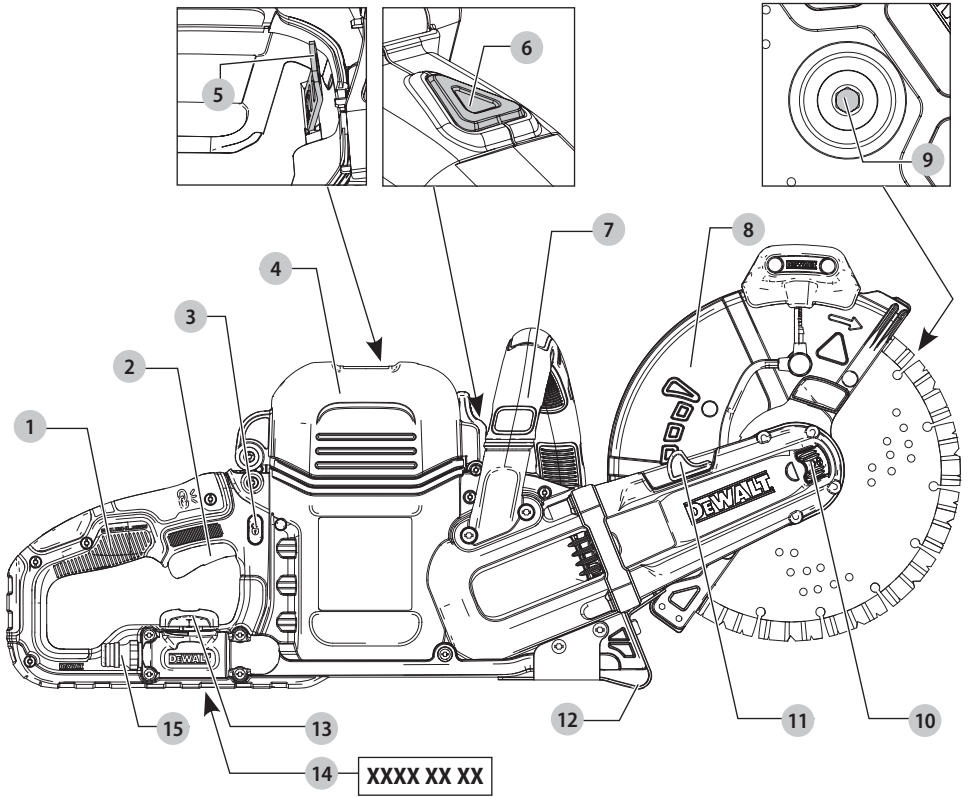


Fig. B

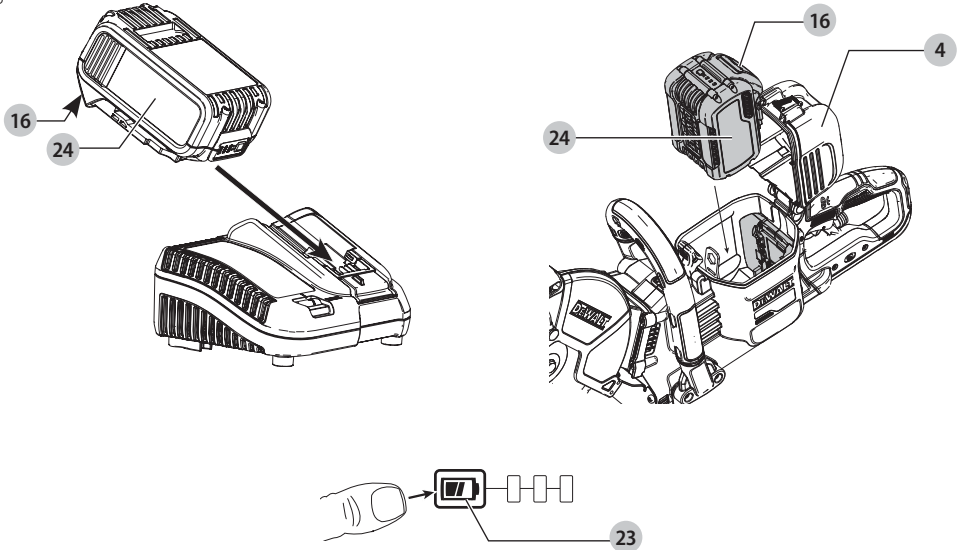


Fig. C

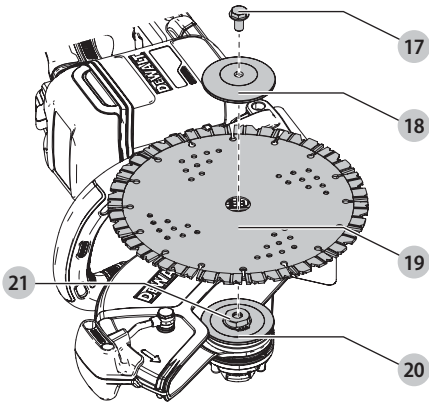


Fig. D

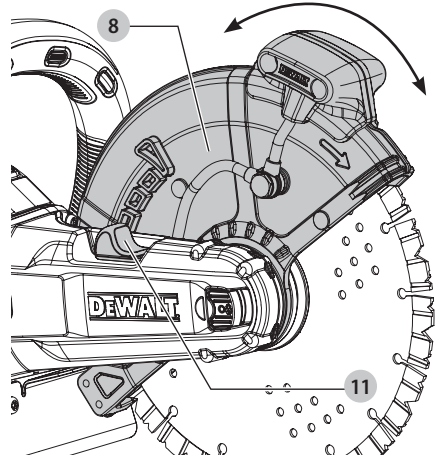


Fig. E

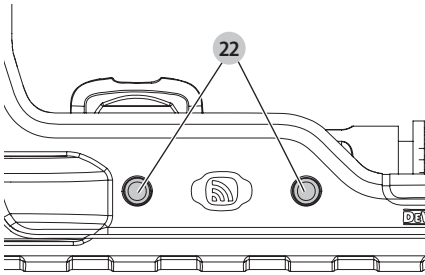


Fig. F

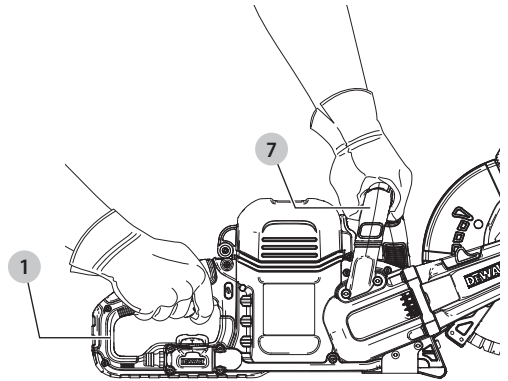


Fig. G

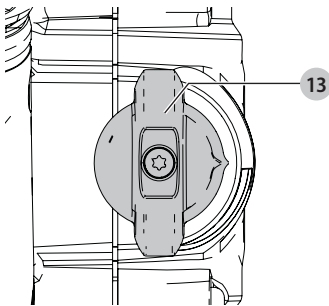
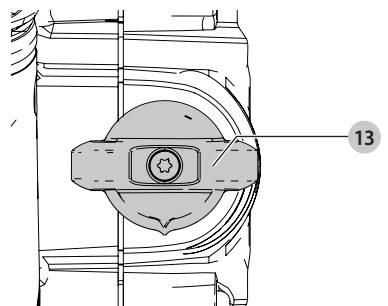


Fig. H



# CUT-OFF TOOL

## DCS691

### Congratulations!

You have chosen a DEWALT tool. Years of experience, thorough product development and innovation make DEWALT one of the most reliable partners for professional power tool users.

### Technical Data

	DCS691	
Voltage	$V_{DC}$	54
Type		1
Battery type		Li-Ion
Wheel diameter	mm	230
Wheel bore	mm	22.2
No load/rated speed	min <sup>-1</sup>	6600
Wheel perimeter thickness (max.)		
Metal	mm	3.6
Resin-bonded	mm	3.6
Thread size		M8
Water quick connector	mm	12.5
Wireless Tool Control Transmitter		
Frequency Band	MHz	433
Max. Power (EIRP)	mW	0.03
Weight (without battery pack)	kg	5.7

Noise values and vibration values under load (tri-ax vector sum) according to EN60745-2-22:

$L_{PA}$ (emission sound pressure level)	dB(A)	105
$L_{WA}$ (sound power level)	dB(A)	116
K (uncertainty for the given sound level)	dB(A)	3.0
Vibration emission value $a_h =$	$m/s^2$	5.0
Uncertainty K =	$m/s^2$	1.5

The vibration and/or noise emission level given in this information sheet has been measured in accordance with a standardised test given in EN60745 and may be used to compare one tool with another. It may be used for a preliminary assessment of exposure.



**WARNING:** The declared vibration and/or noise emission level represents the main applications of the tool. However, if the tool is used for different applications, with different accessories or is poorly maintained, the vibration and/or noise emission may differ. This may significantly increase the exposure level over the total working period.

An estimation of the level of exposure to vibration and/or noise should also take into account the times when the tool is switched off or when it is running but not actually doing the job. This may significantly reduce the exposure level over the total working period.

Identify additional safety measures to protect the operator from the effects of vibration and/or noise such as: maintain

the tool and the accessories, keep the hands warm (relevant for vibration), organisation of work patterns.

### EC-Declaration of Conformity

#### Machinery Directive and Radio Equipment Directive



#### Cut-Off Tool DCS691

DEWALT declares that these products described under **Technical Data** are in compliance with: 2006/42/EC, EN60745-1:2009+A11:2010, EN60745-2-22:2011+A11:2013.

These products also comply with Directive 2014/30/EU, 2014/53/EU and 2011/65/EU. For more information, please contact DEWALT at the following address or refer to the back of the manual.

The undersigned is responsible for compilation of the technical file and makes this declaration on behalf of DEWALT.

Markus Rompel  
Director Engineering  
DEWALT, Richard-Klinger-Straße 11,  
65510, Idstein, Germany  
15.03.2022



**WARNING:** To reduce the risk of injury, read the instruction manual.

### DECLARATION OF CONFORMITY THE SUPPLY OF MACHINERY (SAFETY) REGULATIONS 2008 AND RADIO EQUIPMENT REGULATION 2017

**UK  
CA**

#### Cut-Off Tool DCS691

DEWALT declares that these products described under **Technical Data** are in compliance with:

The Supply of Machinery (Safety) Regulations, 2008, S.I. 2008/1597 (as amended), EN60745-1:2009+A11:2010, EN60745-2-22:2011+A11:2013. These products conform to the following UK Regulations:

Batteries				Chargers/Charge Times (Minutes)**									
Cat #	V <sub>DC</sub>	Ah	Weight (kg)	DCB104	DCB107	DCB112/ DCB1102	DCB113	DCB115/ DCB1104	DCB116	DCB117	DCB118	DCB132	
DCB546	18/54	6.0/2.0	1.08	60	270	170	140	90	80	40	60	90	
DCB547/G	18/54	9.0/3.0	1.46	75*	420	270	220	135*	110*	60	75*	135*	
DCB548	18/54	12.0/4.0	1.46	120	540	350	300	180	150	80	120	180	
DCB549	18/54	15.0/5.0	2.12	125	730	450	380	230	170	90	125	230	

\*Date code 201811475B or later

\*\*Battery charge times matrix provided for guidance only; charge times will vary depending on temperature and condition of batteries.

Electromagnetic Compatibility Regulations, 2016, S.I.2016/1091 (as amended).

The Restriction of the Use of Certain Hazardous Substances in Electrical and Electronic Equipment Regulations 2012, S.I. 2012/3032 (as amended).

For more information, please contact DEWALT at the following address or refer to the back of the manual.

The undersigned is responsible for compilation of the technical file and makes this declaration on behalf of DEWALT.



Karl Evans  
Vice President Professional Power Tools EANZ GTS  
DEWALT UK, 270 Bath Road, Slough  
SL1 4DX  
England  
15.03.2022



**WARNING:** To reduce the risk of injury, read the instruction manual.

## Definitions: Safety Guidelines

The definitions below describe the level of severity for each signal word. Please read the manual and pay attention to these symbols.



**DANGER:** Indicates an imminently hazardous situation which, if not avoided, **will** result in **death or serious injury**.



**WARNING:** Indicates a potentially hazardous situation which, if not avoided, **could** result in **death or serious injury**.



**CAUTION:** Indicates a potentially hazardous situation which, if not avoided, **may** result in **minor or moderate injury**.

**NOTICE:** Indicates a practice **not related to personal injury** which, if not avoided, **may** result in **property damage**.



Denotes risk of electric shock.



Denotes risk of fire.

## GENERAL POWER TOOL SAFETY WARNINGS



**WARNING:** Read all safety warnings, instructions, illustrations and specifications provided with this power tool. Failure to follow all instructions listed below may result in electric shock, fire and/or serious injury.

### SAVE ALL WARNINGS AND INSTRUCTIONS FOR FUTURE REFERENCE

The term "power tool" in the warnings refers to your mains-operated (corded) power tool or battery-operated (cordless) power tool.

#### 1) Work Area Safety

- Keep work area clean and well lit.** Cluttered or dark areas invite accidents.
- Do not operate power tools in explosive atmospheres, such as in the presence of flammable liquids, gases or dust.** Power tools create sparks which may ignite the dust or fumes.
- Keep children and bystanders away while operating a power tool.** Distractions can cause you to lose control.

#### 2) Electrical Safety

- Power tool plugs must match the outlet. Never modify the plug in any way. Do not use any adapter plugs with earthed (grounded) power tools.** Unmodified plugs and matching outlets will reduce risk of electric shock.
- Avoid body contact with earthed or grounded surfaces, such as pipes, radiators, ranges and refrigerators.** There is an increased risk of electric shock if your body is earthed or grounded.
- Do not expose power tools to rain or wet conditions.** Water entering a power tool will increase the risk of electric shock.
- Do not abuse the cord. Never use the cord for carrying, pulling or unplugging the power tool. Keep cord away from heat, oil, sharp edges or moving parts.** Damaged or entangled cords increase the risk of electric shock.
- When operating a power tool outdoors, use an extension cord suitable for outdoor use.** Use of a cord suitable for outdoor use reduces the risk of electric shock.
- If operating a power tool in a damp location is unavoidable, use a residual current device (RCD) protected supply.** Use of an RCD reduces the risk of electric shock.

### 3) Personal Safety

- a) **Stay alert, watch what you are doing and use common sense when operating a power tool. Do not use a power tool while you are tired or under the influence of drugs, alcohol or medication.** A moment of inattention while operating power tools may result in serious personal injury.
- b) **Use personal protective equipment. Always wear eye protection.** Protective equipment such as a dust mask, non-skid safety shoes, hard hat or hearing protection used for appropriate conditions will reduce personal injuries.
- c) **Prevent unintentional starting. Ensure the switch is in the off position before connecting to power source and/or battery pack, picking up or carrying the tool.** Carrying power tools with your finger on the switch or energising power tools that have the switch on invites accidents.
- d) **Remove any adjusting key or wrench before turning the power tool on.** A wrench or a key left attached to a rotating part of the power tool may result in personal injury.
- e) **Do not overreach. Keep proper footing and balance at all times.** This enables better control of the power tool in unexpected situations.
- f) **Dress properly. Do not wear loose clothing or jewellery. Keep your hair and clothing away from moving parts.** Loose clothes, jewellery or long hair can be caught in moving parts.
- g) **If devices are provided for the connection of dust extraction and collection facilities, ensure these are connected and properly used.** Use of dust collection can reduce dust-related hazards.
- h) **Do not let familiarity gained from frequent use of tools allow you to become complacent and ignore tool safety principles.** A careless action can cause severe injury within a fraction of a second.

### 4) Power Tool Use and Care

- a) **Do not force the power tool. Use the correct power tool for your application.** The correct power tool will do the job better and safer at the rate for which it was designed.
- b) **Do not use the power tool if the switch does not turn it on and off.** Any power tool that cannot be controlled with the switch is dangerous and must be repaired.
- c) **Disconnect the plug from the power source and/or remove the battery pack, if detachable, from the power tool before making any adjustments, changing accessories, or storing power tools.** Such preventive safety measures reduce the risk of starting the power tool accidentally.
- d) **Store idle power tools out of the reach of children and do not allow persons unfamiliar with the power tool or these instructions to operate the power tool.** Power tools are dangerous in the hands of untrained users.
- e) **Maintain power tools and accessories. Check for misalignment or binding of moving parts, breakage of parts and any other condition that may affect the**

**power tool's operation. If damaged, have the power tool repaired before use.** Many accidents are caused by poorly maintained power tools.

- f) **Keep cutting tools sharp and clean.** Properly maintained cutting tools with sharp cutting edges are less likely to bind and are easier to control.
- g) **Use the power tool, accessories and tool bits, etc. in accordance with these instructions, taking into account the working conditions and the work to be performed.** Use of the power tool for operations different from those intended could result in a hazardous situation.
- h) **Keep handles and grasping surfaces dry, clean and free from oil and grease.** Slippery handles and grasping surfaces do not allow for safe handling and control of the tool in unexpected situations.

### 5) Battery Tool Use and Care

- a) **Recharge only with the charger specified by the manufacturer.** A charger that is suitable for one type of battery pack may create a risk of fire when used with another battery pack.
- b) **Use power tools only with specifically designated battery packs.** Use of any other battery packs may create a risk of injury and fire.
- c) **When battery pack is not in use, keep it away from other metal objects, like paper clips, coins, keys, nails, screws or other small metal objects, that can make a connection from one terminal to another.** Shorting the battery terminals together may cause burns or a fire.
- d) **Under abusive conditions, liquid may be ejected from the battery; avoid contact. If contact accidentally occurs, flush with water. If liquid contacts eyes, additionally seek medical help.** Liquid ejected from the battery may cause irritation or burns.
- e) **Do not use a battery pack or tool that is damaged or modified.** Damaged or modified batteries may exhibit unpredictable behaviour resulting in fire, explosion or risk of injury.
- f) **Do not expose a battery pack or tool to fire or excessive temperature.** Exposure to fire or temperature above 130 °C may cause explosion.
- g) **Follow all charging instructions and do not charge the battery pack or tool outside the temperature range specified in the instructions.** Charging improperly or at temperatures outside the specified range may damage the battery and increase the risk of fire.

### 6) Service

- a) **Have your power tool serviced by a qualified repair person using only identical replacement parts.** This will ensure that the safety of the power tool is maintained.
- b) **Never service damaged battery packs.** Service of battery packs should only be performed by the manufacturer or authorised service providers.

## Additional Specific Safety Instructions for Cut-Off Machines

- a) **The guard provided with the tool must be securely attached to the power tool and positioned for maximum safety, so the least amount of wheel is exposed towards the operator. Position yourself and bystanders away from the plane of the rotating wheel.** The guard helps to protect operator from broken wheel fragments and accidental contact with wheel.
- b) **Use only bonded reinforced wheels or diamond blades for your power tool.** Just because an accessory can be attached to your power tool, it does not assure safe operation.
- c) **The rated speed of the accessory must be at least equal to the maximum speed marked on the power tool.** Accessories running faster than their rated speed can break and fly apart.
- d) **Wheels must be used only for recommended applications. For example: do not grind with the side of cut-off wheel.** Abrasive cut-off wheels are intended for peripheral grinding, side forces applied to these wheels may cause them to shatter.
- e) **Always use undamaged wheel flanges that are of correct diameter for your selected wheel.** Proper wheel flanges support the wheel thus reducing the possibility of wheel breakage.
- f) **Do not use worn down reinforced wheels from larger power tools.** Wheels intended for a larger power tool are not suitable for the higher speed of a smaller tool and may burst.
- g) **The outside diameter and the thickness of your accessory must be within the capacity rating of your power tool.** Incorrectly sized accessories cannot be adequately guarded or controlled.
- h) **The arbor size of wheels and flanges must properly fit the spindle of the power tool.** Wheels and flanges with arbour holes that do not match the mounting hardware of the power tool will run out of balance, vibrate excessively and may cause loss of control.
- i) **Do not use damaged wheels. Before each use, inspect the wheels for chips and cracks. If power tool or wheel is dropped, inspect for damage or install an undamaged wheel. After inspecting and installing the wheel, position yourself and bystanders away from the plane of the rotating wheel and run the power tool at maximum no load speed for one minute.** Damaged wheels will normally break apart during this test time.
- j) **Wear personal protective equipment. Depending on application, use face shield, safety goggles or safety glasses. As appropriate, wear dust mask, hearing protectors, gloves and shop apron capable of stopping small abrasive or workpiece fragments. The eye protection must be capable of stopping flying debris generated by various operations. The dust mask or respirator must be capable of filtering particles generated by your operation.** Prolonged exposure to high intensity noise may cause hearing loss.
- k) **Keep bystanders a safe distance away from work area. Anyone entering the work area must wear personal protective equipment.** Fragments of workpiece or of a broken wheel may fly away and cause injury beyond immediate area of operation.
- l) **Hold the power tool by insulated gripping surfaces only, when performing an operation where the cutting accessory may contact hidden wiring.** Cutting accessory contacting a "live" wire may make exposed metal parts of the power tool "live" and could give the operator an electric shock.
- m) **Never lay the power tool down until the accessory has come to a complete stop.** The spinning wheel may grab the surface and pull the power tool out of your control.
- n) **Do not run the power tool while carrying it at your side.** Accidental contact with the spinning accessory could snag your clothing, pulling the accessory into your body.
- o) **Regularly clean the power tool's air vents.** The motor's fan will draw the dust inside the housing and excessive accumulation of powdered metal may cause electrical hazards.
- p) **Do not operate the power tool near flammable materials.** Sparks could ignite these materials.
- q) **Do not use accessories that require liquid coolants.** Using water or other liquid coolants may result in electrocution or shock.

## Kickback and Related Warnings

Kickback is a sudden reaction to a pinched or snagged rotating wheel. Pinching or snagging causes rapid stalling of the rotating wheel which in turn causes the uncontrolled power tool to be forced in the direction opposite of the wheel's rotation at the point of the binding.

For example, if an abrasive wheel is snagged or pinched by the workpiece, the edge of the wheel that is entering into the pinch point can dig into the surface of the material causing the wheel to climb out or kick out. The wheel may either jump toward or away from the operator, depending on direction of the wheel's movement at the point of pinching. Abrasive wheels may also break under these conditions.

Kickback is the result of power tool misuse and/or incorrect operating procedures or conditions and can be avoided by taking proper precautions as given below.

- a) **Maintain a firm grip on the power tool and position your body and arm to allow you to resist kickback forces. Always use auxiliary handle, if provided, for maximum control over kickback or torque reaction during start-up.** The operator can control torque reactions or kickback forces, if proper precautions are taken.



- b) **Never place your hand near the rotating accessory.** Accessory may kickback over your hand.
  - c) **Do not position your body in line with the rotating wheel.** Kickback will propel the tool in direction opposite to the wheel's movement at the point of snagging.
  - d) **Use special care when working corners, sharp edges etc. Avoid bouncing and snagging the accessory.** Corners, sharp edges or bouncing have a tendency to snag the rotating accessory and cause loss of control or kickback.
  - e) **Do not attach a saw chain, woodcarving blade, segmented diamond wheel with a peripheral gap greater than 10 mm or toothed saw blade.** Such blades create frequent kickback and loss of control.
  - f) **Do not "jam" the wheel or apply excessive pressure. Do not attempt to make an excessive depth of cut.** Overstressing the wheel increases the loading and susceptibility to twisting or binding of the wheel in the cut and the possibility of kickback or wheel breakage.
  - g) **When wheel is binding or when interrupting a cut for any reason, switch off the power tool and hold the power tool motionless until the wheel comes to a complete stop. Never attempt to remove the wheel from the cut while the wheel is in motion otherwise kickback may occur.** Investigate and take corrective action to eliminate the cause of wheel binding.
  - h) **Do not restart the cutting operation in the workpiece. Let the wheel reach full speed and carefully re-enter the cut.** The wheel may bind, walk up or kickback if the power tool is restarted in the workpiece.
  - i) **Support panels or any oversized workpiece to minimize the risk of wheel pinching and kickback. Large workpieces tend to sag under their own weight.** Supports must be placed under the workpiece near the line of cut and near the edge of the workpiece on both sides of the wheel.
  - j) **Use extra caution when making a "pocket cut" into existing walls or other blind areas.** The protruding wheel may cut gas or water pipes, electrical wiring or objects that can cause kickback.
- **Direct sparks away from operator, bystanders or flammable materials.** Sparks may be produced while using a sander or grinder. Sparks may cause burns or start fires.
  - **Always use front handle. Tighten the handle securely.** The front handle should always be used to maintain control of the tool at all times.
  - **Never cut into area that may contain electrical wiring or piping.** Serious injury may result.
  - **Clean out your tool often, especially after heavy use.** Dust and grit containing metal particles often accumulate on interior surfaces and could create an electric shock hazard.
  - **Do not operate this tool for long periods of time. Vibration caused by tool action may be harmful to your hands and arms.** Use gloves to provide extra cushion and limit exposure by taking frequent rest periods.
  - **Dust, crystalline material, vapor and smoke may be produced while working.** Always wear a dust mask or respiratory protection. Danger for health!

## Residual Risks

In spite of the application of the relevant safety regulations and the implementation of safety devices, certain residual risks cannot be avoided. These are:

- Impairment of hearing.
- Risk of personal injury due to flying particles.
- Risk of burns due to accessories becoming hot during operation.
- Risk of personal injury due to prolonged use.
- Health hazards caused by breathing dust developed when working in concrete and/or masonry.

## Chargers

DEWALT chargers require no adjustment and are designed to be as easy as possible to operate.

## Electrical Safety

The electric motor has been designed for one voltage only. Always check that the battery pack voltage corresponds to the voltage on the rating plate. Also make sure that the voltage of your charger corresponds to that of your mains.



Your DEWALT charger is double insulated in accordance with EN60335; therefore, no earth wire is required.

If the supply cord is damaged, it must be replaced only by DEWALT or an authorised service organisation.

## Mains Plug Replacement (U.K. & Ireland Only)

If a new mains plug needs to be fitted:

- Safely dispose of the old plug.
- Connect the brown lead to the live terminal in the plug.
- Connect the blue lead to the neutral terminal.



**WARNING:** No connection is to be made to the earth terminal.

Follow the fitting instructions supplied with good quality plugs. Recommended fuse: 3 A.

## Additional Safety Information

- **Do not use the upper quarter of the wheel for cutting.** Serious injury may result due to kickback.
- **Use of accessories not specified in this manual is not recommended and may be hazardous.** Use of power boosters that would cause the tool to be driven at speeds greater than its rated speed constitutes misuse.
- **Do not use circular saw blades with this tool.** Serious injury may result.
- **Avoid bouncing the wheel or giving it rough treatment.** If this occurs, stop the tool and inspect the wheel for cracks or flaws.

## Using an Extension Cable

An extension cord should not be used unless absolutely necessary. Use an approved extension cable suitable for the power input of your charger (refer to **Technical Data**). The minimum conductor size is 1 mm<sup>2</sup>; the maximum length is 30 m. When using a cable reel, always unwind the cable completely.

## Important Safety Instructions for All Battery Chargers

**SAVE THESE INSTRUCTIONS:** This manual contains important safety and operating instructions for compatible battery chargers (refer to **Technical Data**). Before using charger, read all instructions and cautionary markings on charger, battery pack, and product using battery pack.



**WARNING:** Shock hazard. Do not allow any liquid to get inside charger. Electric shock may result.



**WARNING:** We recommend the use of a residual current device with a residual current rating of 30 mA or less.



**CAUTION:** Burn hazard. To reduce the risk of injury, charge only DEWALT rechargeable batteries. Other types of batteries may burst, causing personal injury and damage.



**CAUTION:** Children should be supervised to ensure that they do not play with the appliance.

**NOTICE:** Under certain conditions, with the charger plugged into the power supply, the exposed charging contacts inside the charger can be shorted by foreign material. Foreign materials of a conductive nature such as, but not limited to, steel wool, aluminum foil or any buildup of metallic particles should be kept away from charger cavities. Always unplug the charger from the power supply when there is no battery pack in the cavity. Unplug charger before attempting to clean.

- **DO NOT attempt to charge the battery pack with any chargers other than the ones in this manual.** The charger and battery pack are specifically designed to work together.
- **These chargers are not intended for any uses other than charging DEWALT rechargeable batteries.** Any other uses may result in risk of fire, electric shock or electrocution.
- **Do not expose charger to rain or snow.**
- **Pull by plug rather than cord when disconnecting charger.** This will reduce risk of damage to electric plug and cord.
- **Make sure that cord is located so that it will not be stepped on, tripped over, or otherwise subjected to damage or stress.**
- **Do not use an extension cord unless it is absolutely necessary.** Use of improper extension cord could result in risk of fire, electric shock, or electrocution.
- **Do not place any object on top of charger or place the charger on a soft surface that might block the ventilation slots and result in excessive internal heat.** Place the charger in a position away from any heat source. The charger is ventilated through slots in the top and the bottom of the housing.

- **Do not operate charger with damaged cord or plug—** have them replaced immediately.
- **Do not operate charger if it has received a sharp blow, been dropped, or otherwise damaged in any way.** Take it to an authorised service centre.
- **Do not disassemble charger; take it to an authorised service centre when service or repair is required.** Incorrect reassembly may result in a risk of electric shock, electrocution or fire.
- **In case of damaged power supply cord, the supply cord must be replaced immediately by the manufacturer, its service agent or similar qualified person to prevent any hazard.**
- **Disconnect the charger from the outlet before attempting any cleaning. This will reduce the risk of electric shock.** Removing the battery pack will not reduce this risk.
- **NEVER attempt to connect two chargers together.**
- **The charger is designed to operate on standard 230V household electrical power. Do not attempt to use it on any other voltage.** This does not apply to the vehicular charger.

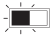





## Charging a Battery (Fig. B)

1. Plug the charger into an appropriate outlet before inserting battery pack.
2. Insert the battery pack **24** into the charger, making sure the battery pack is fully seated in the charger. The red (charging) light will blink repeatedly, indicating that the charging process has started.
3. The completion of charge will be indicated by the red light remaining ON continuously. The battery pack is fully charged and may be used at this time or left in the charger. To remove the battery pack from the charger, push the battery release button **16** on the battery pack.

**NOTE:** To ensure maximum performance and life of lithium-ion battery packs, charge the battery pack fully before first use.

## Charger Operation

Refer to the indicators below for the charge status of the battery pack.

Charge Indicators		
	Charging	
	Fully Charged	
	Hot/Cold Pack Delay*	

\*The red light will continue to blink, but a yellow indicator light will be illuminated during this operation. Once the battery pack has reached an appropriate temperature, the yellow light will turn off and the charger will resume the charging procedure. The compatible charger(s) will not charge a faulty battery pack. The charger will indicate faulty battery by refusing to light.

**NOTE:** This could also mean a problem with a charger. If the charger indicates a problem, take the charger and battery pack to be tested at an authorised service centre.

## Hot/Cold Pack Delay

When the charger detects a battery pack that is too hot or too cold, it automatically starts a Hot/Cold Pack Delay, suspending charging until the battery pack has reached an appropriate temperature. The charger then automatically switches to the pack charging mode. This feature ensures maximum battery pack life.

A cold battery pack will charge at a slower rate than a warm battery pack. The battery pack will charge at that slower rate throughout the entire charging cycle and will not return to maximum charge rate even if the battery pack warms.

The DCB118 charger is equipped with an internal fan designed to cool the battery pack. The fan will turn on automatically when the battery pack needs to be cooled. Never operate the charger if the fan does not operate properly or if ventilation slots are blocked. Do not permit foreign objects to enter the interior of the charger.

## Electronic Protection System

XR Li-Ion tools are designed with an Electronic Protection System that will protect the battery pack against overloading, overheating or deep discharge.

The tool will automatically turn off if the Electronic Protection System engages. If this occurs, place the lithium-ion battery pack in the charger until it is fully charged.

## Wall Mounting

These chargers are designed to be wall mountable or to sit upright on a table or work surface. If wall mounting, locate the charger within reach of an electrical outlet, and away from a corner or other obstructions which may impede air flow. Use the back of the charger as a template for the location of the mounting screws on the wall. Mount the charger securely using drywall screws (purchased separately) at least 25.4 mm long with a screw head diameter of 7–9 mm, screwed into wood to an optimal depth leaving approximately 5.5 mm of the screw exposed. Align the slots on the back of the charger with the exposed screws and fully engage them in the slots.

## Charger Cleaning Instructions



**WARNING: Shock hazard. Disconnect the charger from the AC outlet before cleaning.** Dirt and grease may be removed from the exterior of the charger using a cloth or soft non-metallic brush. Do not use water or any cleaning solutions. Never let any liquid get inside the tool; never immerse any part of the tool into a liquid.

## Battery Packs

### Important Safety Instructions for All Battery Packs

When ordering replacement battery packs, be sure to include catalogue number and voltage.

The battery pack is not fully charged out of the carton. Before using the battery pack and charger, read the safety instructions below. Then follow charging procedures outlined.

#### READ ALL INSTRUCTIONS

- **Do not charge or use battery in explosive atmospheres, such as in the presence of flammable liquids, gases or dust.** Inserting or removing the battery from the charger may ignite the dust or fumes.

- **Never force battery pack into charger. Do not modify battery pack in any way to fit into a non-compatible charger as battery pack may rupture, causing serious personal injury.**
- Charge the battery packs only in DeWALT chargers.
- **DO NOT splash or immerse in water or other liquids.**
- **Do not store or charge the battery pack in locations where the temperature may fall below 4 °C (39.2 °F) (such as outside sheds or metal buildings in winter), or reach or exceed 40 °C (104 °F) (such as outside sheds or metal buildings in summer).**
- **Do not incinerate the battery pack even if it is severely damaged or is completely worn out.** The battery pack can explode in a fire. Toxic fumes and materials are created when lithium-ion battery packs are burned.
- **If battery contents come into contact with the skin, immediately wash area with mild soap and water.** If battery liquid gets into the eye, rinse water over the open eye for 15 minutes or until irritation ceases. If medical attention is needed, the battery electrolyte is composed of a mixture of liquid organic carbonates and lithium salts.
- **Contents of opened battery cells may cause respiratory irritation.** Provide fresh air. If symptoms persist, seek medical attention.



**WARNING: Burn hazard.** Battery liquid may be flammable if exposed to spark or flame.



**WARNING: Never attempt to open the battery pack for any reason.** If battery pack case is cracked or damaged, do not insert into charger. Do not crush, drop or damage battery pack. Do not use a battery pack or charger that has received a sharp blow, been dropped, run over or damaged in any way (i.e., pierced with a nail, hit with a hammer, stepped on). Electric shock or electrocution may result. Damaged battery packs should be returned to service centre for recycling.



**WARNING: Fire hazard. Do not store or carry the battery pack so that metal objects can contact exposed battery terminals.** For example, do not place the battery pack in aprons, pockets, tool boxes, product kit boxes, drawers, etc., with loose nails, screws, keys, etc.



**CAUTION: When not in use, place tool on its side on a stable surface where it will not cause a tripping or falling hazard.** Some tools with large battery packs will stand upright on the battery pack but may be easily knocked over.

## Transportation



**WARNING: Fire hazard.** Transporting batteries can possibly cause fire if the battery terminals inadvertently come into contact with conductive materials. When transporting batteries, make sure that the battery terminals are protected and well-insulated from materials that could contact them and cause a short circuit. **NOTE:** Lithium-ion batteries should not be put in checked baggage.

DeWALT batteries comply with all applicable shipping regulations as prescribed by industry and legal standards, which include UN Recommendations on the Transport of Dangerous

Goods; International Air Transport Association (IATA) Dangerous Goods Regulations; International Maritime Dangerous Goods (IMDG) Regulations; and the European Agreement Concerning The International Carriage of Dangerous Goods by Road (ADR). Lithium-ion cells and batteries have been tested to section 38.3 of the UN Recommendations on the Transport of Dangerous Goods Manual of Tests and Criteria.

In most instances, shipping a DeWALT battery pack will be excepted from being classified as a fully regulated Class 9 Hazardous Material. In general, only shipments containing a lithium-ion battery with an energy rating greater than 100 Watt Hours (Wh) will require being shipped as fully regulated Class 9. All lithium-ion batteries have the Wh rating marked on the pack. Furthermore, due to regulation complexities, DeWALT does not recommend air shipping lithium-ion battery packs alone regardless of Wh rating. Shipments of tools with batteries (combo kits) can be air shipped as excepted if the Wh rating of the battery pack is no greater than 100 Wh.

Regardless of whether a shipment is considered excepted or fully regulated, it is the shipper's responsibility to consult the latest regulations for packaging, labeling/marketing and documentation requirements.

The information provided in this section of the manual is provided in good faith and believed to be accurate at the time the document was created. However, no warranty, expressed or implied, is given. It is the buyer's responsibility to ensure that its activities comply with the applicable regulations.

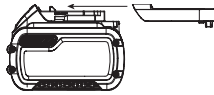
**Transporting the FLEXVOLT™ Battery**

The DeWALT FLEXVOLT™ battery has two modes: **Use** and **Transport**.

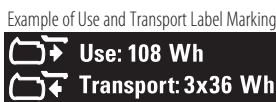
**Use Mode:** When the FLEXVOLT™ battery stands alone or is in a DeWALT 18V product, it will operate as an 18V battery. When the FLEXVOLT™ battery is in a 54V or a 108V (two 54V batteries) product, it will operate as a 54V battery.

**Transport Mode:** When the cap is attached to the FLEXVOLT™ battery, the battery is in Transport mode. Keep the cap for shipping.

When in Transport mode, strings of cells are electrically disconnected within the pack, resulting in 3 batteries with a lower Watt hour (Wh) rating as compared to 1 battery with a higher Watt hour rating. This increased quantity of 3 batteries with the lower Watt hour rating can exempt the pack from certain shipping regulations that are imposed upon the higher Watt hour batteries.



For example, the Transport Wh rating might indicate 3 x 36 Wh, meaning 3 batteries of 36 Wh each. The Use Wh rating might indicate 108 Wh (1 battery implied).



**Storage Recommendations**

1. The best storage place is one that is cool and dry away from direct sunlight and excessive heat or cold. For optimum battery performance and life, store battery packs at room temperature when not in use.
2. For long storage, it is recommended to store a fully charged battery pack in a cool, dry place out of the charger for optimal results.

**NOTE:** Battery packs should not be stored completely depleted of charge. The battery pack will need to be recharged before use.

**Labels on Charger and Battery Pack**

In addition to the pictographs used in this manual, the labels on the charger and the battery pack may show the following pictographs:



Read instruction manual before use.



Refer to **Technical Data** for charging time.



Do not probe with conductive objects.



Do not charge damaged battery packs.



Do not expose to water.



Have defective cords replaced immediately.



Charge only between 4 °C and 40 °C.



Only for indoor use.



Discard the battery pack with due care for the environment.



Charge battery packs only with designated DeWALT chargers. Charging battery packs other than the designated DeWALT batteries with a DeWALT charger may make them burst or lead to other dangerous situations.



Do not incinerate the battery pack.



USE (without transport cap). Example: Wh rating indicates 108 Wh (1 battery with 108 Wh).



TRANSPORT (with built-in transport cap). Example: Wh rating indicates 3 x 36 Wh (3 batteries of 36 Wh).

## Battery Type

These battery packs may be used: DCB181, DCB182, DCB183, DCB183B, DCB183G, DCB184, DCB184B, DCB184G, DCB184LR, DCB185, DCB187, DCB189, DCBP034, DCBP034G, DCBP518, DCBP518G. Refer to **Technical Data** for more information.

## Package Contents

The package contains:

- 1 Cut off tool
- 1 Diamond blade (X2 version only)
- 1 12.7 mm wrench
- 1 Battery charger (X2 version only)
- 2 Li-Ion battery packs (X2 version only)
- 1 Instruction manual

**NOTE:** Battery packs, chargers and kitboxes are not included with N models. Battery packs and chargers are not included with NT models. B models include Bluetooth® battery packs.

**NOTE:** The Bluetooth® word mark and logos are registered trademarks owned by the Bluetooth®, SIG, Inc. and any use of such marks by DEWALT is under license. Other trademarks and trade names are those of their respective owners.

- Check for damage to the tool, parts or accessories which may have occurred during transport.
- Take the time to thoroughly read and understand this manual prior to operation.

## Markings on Tool

The following pictograms are shown on the tool:



Read instruction manual before use.



Wear ear protection.



Wear eye protection.



Risk of dust emission.



Higher risk of kickback! Do not use the upper quarter of the wheel for cutting.

## Date Code Position (Fig. A)

The production date code **14** consists of a 4-digit year followed by a 2-digit week and is extended by a 2-digit factory code.

## Description (Fig. A)



**WARNING:** Never modify the power tool or any part of it. Damage or personal injury could result.

- |                   |                         |
|-------------------|-------------------------|
| 1 Main handle     | 7 Front handle          |
| 2 Trigger switch  | 8 Guard                 |
| 3 Lock-off button | 9 Arbor screw           |
| 4 Battery door    | 10 Spindle lock button  |
| 5 12.7 mm wrench  | 11 Guard rotation lever |
| 6 LED light       | 12 Shoe                 |

13 Water valve

15 Water inlet

14 Date code

## Intended Use

Your cut-off tool is designed for professional cutting applications. Only use wet cut method when cutting concrete. Dry cutting is possible when cutting metal.

**DO NOT** use in the presence of flammable liquids or gases.

Your cut-off tool is a professional power tool.

**DO NOT** let children come into contact with the tool.

Supervision is required when inexperienced operators use this tool.

- **Young children and the infirm.** This appliance is not intended for use by young children or infirm persons without supervision.
- This product is not intended for use by persons (including children) suffering from diminished physical, sensory or mental abilities; lack of experience, knowledge or skills unless they are supervised by a person responsible for their safety. Children should never be left alone with this product.
- **DO NOT** cut concrete without connecting the water supply system.

## ASSEMBLY AND ADJUSTMENTS



**WARNING:** To reduce the risk of serious personal injury, turn tool off and disconnect battery pack before making any adjustments or removing/installing attachments or accessories. An accidental start-up can cause injury.



**WARNING:** Use only DEWALT batteries and chargers.

## Inserting and Removing the Battery Pack from the Tool (Fig. B)



**WARNING:** Do not work with unlatched battery door. Prevent water entering into the battery compartment.

**NOTE:** Make sure your battery pack **24** is fully charged.

### To Install the Battery Pack into the Tool

1. Unlatch and open the battery door **4**.
2. To install the battery pack **24** into the tool, align the battery pack with the rails inside the tool and slide it in until the battery pack is firmly seated. Ensure that it does not disengage.
3. Close the battery door and ensure it is closed securely.

### To Remove the Battery Pack from the Tool

1. Unlatch and open the battery door.
2. Press the release button **16** and firmly pull the battery pack out of the tool.
3. Insert it into the charger as described in **Charging a Battery**.

Do not leave the battery door open.

### Fuel Gauge Battery Packs (Fig. B)

Some DEWALT battery packs include a fuel gauge which consists of three green LED lights that indicate the level of charge remaining in the battery pack.

To actuate the fuel gauge, press and hold the fuel gauge button **23**. A combination of the three green LED lights will illuminate designating the level of charge left. When the level of charge in the battery is below the usable limit, the fuel gauge will not illuminate and the battery will need to be recharged.

**NOTE:** The fuel gauge is only an indication of the charge left on the battery pack. It does not indicate tool functionality and is subject to variation based on product components, temperature and end-user application.

## Installing Wheels (Fig. A, C)



**WARNING:** Burn Hazard. Sharp parts. ALWAYS wear gloves when changing wheels. Wheels have sharp edges or may get extremely hot during operation, and may damage bare hands.

1. Lay unit on a firm surface, with the spindle **21** facing upward.
2. Hold spindle lock button **10** to keep the spindle from turning.
3. Using supplied 12.7 mm wrench **5** (located in the battery compartment), remove spindle nut **17**, outer clamp washer **18** and used wheel **19** if one is installed. Spindle threads are right hand.
4. The inner clamp washer **20** is held in place with a double D shaft and retaining ring.
5. Slip wheel over spindle. Be sure wheel goes over pilot diameter of inner clamp washer. Slip on outer clamp washer. Start threading on spindle nut which will self align outer clamp washer. Make sure the wheel is fitted in the correct orientation.
6. Engage spindle lock button and tighten nut with wrench. Do not over tighten spindle nut.
7. Turn wheel by hand to ensure it is properly centered. The wheel should not hit the shoe, guard or nut. The nut and flanges should be tight.



**CAUTION:** Only use 230 mm Type 1/41 wheels with 22.2 mm arbor hole with this tool. Never force a wheel onto the machine or alter the size of the arbor hole.

## Adjusting the Guard Angle (Fig. D)



**WARNING:** There is a higher risk of kickback when guard is moved backwards leading to wider opening. The guard must be opened wider only when required.

You can adjust the angle of the guard.

1. To adjust the angle of the guard, pull back the guard rotation lever **11** and hold it.
2. Grasp the guard **8** firmly and rotate to desired angle.
3. Release the guard rotation lever and make sure it engages, locking the guard in place. If the guard rotation lever doesn't engage, rotate the guard slightly until the guard rotation lever returns to the locked position.

## DEWALT Tool Tag Ready (Fig. G)

### Optional Accessory

Your cut-off tool comes with mounting holes **22** and fasteners for installing a DEWALT Tool Tag. You will need a T15 bit tip to install the tag. The DEWALT Tool Tag is designed for tracking and locating professional power tools, equipment, and machines using the DEWALT Tool Connect™ app. For proper installation of the DEWALT Tool Tag refer to the DEWALT Tool Tag manual.

## OPERATION

### Instructions for Use



**WARNING:** Always observe the safety instructions and applicable regulations.



**WARNING:** To reduce the risk of serious personal injury, turn tool off and disconnect battery pack before making any adjustments or removing/ installing attachments or accessories. An accidental start-up can cause injury.

### Proper Hand Position (Fig. F)



**WARNING:** To reduce the risk of serious personal injury, ALWAYS use proper hand position as shown.



**WARNING:** To reduce the risk of serious personal injury, ALWAYS hold securely in anticipation of a sudden reaction.

Proper hand position requires one hand on the main handle **1** and one hand on the front handle **7**.

### Wireless Tool Control (Fig. A)



**CAUTION:** Read all safety warnings, instruction and specifications of the appliance which is paired with the tool.

Your tool is equipped with a Wireless Tool Control transmitter which allows your tool to be wirelessly paired with another Wireless Tool Control device.

To pair your tool using Wireless Tool Control, press and hold the trigger switch **2** on the tool and the Wireless Tool Control pairing button on the separate device. An LED on the separate device will let you know when your tool has been successfully paired.

### Spindle Lock Button (Fig. A, C)

The spindle lock button **10** is used to lock the spindle **21** when changing accessories.

1. To engage the spindle lock button, remove the battery pack and make sure trigger switch is in OFF position.
2. Depress the spindle lock button and turn the wheel and spindle until the lock button engages the spindle.
3. Use supplied wrench **5** to unscrew the spindle nut **17** and remove or mount accessories. Spindle threads are right hand.

### Lock-Off Button (Fig. A)

Your cut-off tool is equipped with a lock-off button **3**. To lock the trigger switch in the OFF position, push the lock-off button

from the left side of the tool. To unlock the trigger switch, push the lock-off button from the right side of the tool.

## LED Light (Fig. A)

The LED light **6** will illuminate as a warning when the tool is being pushed too hard. Continuing to use the tool after the LED is lit could cause the tool to hot pack or shut down.

## To Operate (Fig. A)



**CAUTION:** Before attempting to start, grasp tool firmly with both hands before lifting.



**WARNING:** Edge cutting can be performed only with wheels that are designed and specified for this purpose. Protect yourself during edge cutting by directing the open side of the guard toward a surface.



**WARNING:** Wheels used for cutting may break or kick back if they bend or twist while the tool is being used to do cut-off work.



**WARNING:** Do not use edge cutting wheels for surface grinding applications because these wheels are not designed for side pressures encountered with surface grinding. Wheel breakage and injury may result.

1. Grasp main handle **1** and front handle **7** firmly.
2. Line up wheel with material to be cut. Be sure nothing is near or in line with the wheel.
3. To turn the tool on, depress the trigger switch **2**. Then slowly feed wheel into work with firm pressure. The shoe **12** may be used to help guide the tool when making cuts. Do not force the tool. For maximum efficiency and wheel life, keep the wheel speed high.
4. To stop tool, release trigger switch **2**.

## Wet Cut Method (Fig. A, G, H)



**CAUTION:** Never use the saw overhead. When using water, limit cutting to the horizontal position to reduce the risk of water entering the tool.



**WARNING:** Wet cut method is to be used only with a diamond blade.

1. Attach the water supply to the water inlet **15**.
2. To regulate the water flow, rotate the water valve **13** to the open position as shown in Figure G. To stop the flow of water, rotate the water valve to the closed position as shown in Figure H.
3. Proceed to cut as described in **To Operate**.
4. After work, disconnect the water supply from the tool.

## Applications



**WARNING:** NEVER cut magnesium with this tool. Magnesium particles may ignite causing personal injury.



**WARNING:** Cutting concrete must ONLY be done using the wet cut method.

- 3 mm max. gauge sheet metal
- Concrete, cinder blocks and bricks
- Reinforcing rod; generally under 25.4 mm diameter
- 3 mm diameter concrete wire mesh

- Corrugated floor and ceiling form (concrete forms)
- Electrical conduit 3 mm wall thickness
- 3 mm max. thick structural forms such as channel, angles, plate, etc.

**NOTE:** The cutting of materials heavier than those listed above are not recommended due to the possibility of electrical overloading.

## Transportation and Storage

During transportation and storage lock the trigger switch with the lock-off button.

Remove the battery pack during the tool storage.

## MAINTENANCE

Your power tool has been designed to operate over a long period of time with a minimum of maintenance. Continuous satisfactory operation depends upon proper tool care and regular cleaning.



**WARNING:** To reduce the risk of serious personal injury, turn tool off and disconnect battery pack before making any adjustments or removing/installing attachments or accessories. An accidental start-up can cause injury.

The charger and battery pack are not serviceable.

## Lubrication

Your power tool requires no additional lubrication.

## Cleaning



**WARNING:** Electrical shock and mechanical hazard. Remove the battery before cleaning.



**WARNING:** To ensure safe and efficient operation, always keep the electrical appliance and the ventilation slots clean.



**WARNING:** Never use solvents or other harsh chemicals for cleaning the non-metallic parts of the tool. These chemicals may weaken the materials used in these parts. Use a cloth dampened only with water and mild soap. Never let any liquid get inside the tool; never immerse any part of the tool into a liquid.

Ventilation slots can be cleaned using a dry, soft non-metallic brush and/or a suitable vacuum cleaner. Do not use water or any cleaning solutions. Wear approved eye protection and an approved dust mask.

## Optional Accessories



**WARNING:** Since accessories, other than those offered by DEWALT, have not been tested with this product, use of such accessories with this tool could be hazardous. To reduce the risk of injury, only DEWALT-recommended accessories should be used with this product.

Consult your dealer for further information on the appropriate accessories.

## Protecting the Environment



Products/batteries are recyclable, but if marked with the crossed-out bin, they must not be disposed of with normal household waste.

Run the batteries down completely and separate them, and separate any light sources from the product if possible. It is the user's responsibility to delete personal data from the product. Then take the waste to an official waste collection center or a participating retailer who will often accept it free of charge. Packaging should be discarded based on the marked material code. Operating and safety instructions should only be discarded once the applicable product is no longer in use.

Please check with your local community/municipality for waste management guidance. For further information, visit [www.2helpU.com](http://www.2helpU.com) and scan the above QR code.



# ОТРЕЗНОЙ ИНСТРУМЕНТ

## DCS691

### Поздравляем!

Вы приобрели инструмент DeWALT. Многолетний опыт, тщательная разработка изделий и инновации делают компанию DeWALT одним из самых надёжных партнеров для пользователей профессионального электроинструмента.

### Технические характеристики

		DCS691
Напряжение	$V_{\text{нокт. тока}}$	54
Тип		1
Тип аккумуляторной батареи		литий-ионный
Диаметр круга	мм	230
Отверстие в круге	мм	22,2
Скорость без нагрузки/номинальная скорость	об/мин	6600
Толщина периметра круга (макс.)		
Металлический	мм	3,6
Абразивный	мм	3,6
Размер резьбы		M8
Быстроразъемное соединения подачи воды	мм	12,5
Передачик беспроводного управления инструментом		
Частотный диапазон	МГц	433
Макс. мощность (ЭИИМ)	мВт	0,03
Вес (без аккумуляторной батареи)	кг	5,7

Значения шума и/или вибрации под нагрузкой (сумма векторов в трех плоскостях) в соответствии с EN60745-2-22:

$L_{PA}$ (уровень звукового давления)	дБ(A)	105
$L_{WA}$ (уровень акустической мощности)	дБ(A)	116
K (погрешность для заданного уровня мощности)	дБ(A)	3,0
Значение вибрационного воздействия $a_h =$		
	$m/c^2$	5,0
Погрешность K =		
	$m/c^2$	1,5

Значение шумовой эмиссии и/или эмиссии вибрации, указанное в данном справочном листке, было получено в соответствии со стандартным тестом, приведенным в EN60745, и может использоваться для сравнения инструментов. Кроме того, оно может использоваться для предельной оценки воздействия вибрации.



**ОСТОРОЖНО!** Заявленное значение шумовой эмиссии и/или эмиссии вибрации относится к основным областям применения инструмента. Однако, если инструмент используется для различных целей, с различными дополнительными принадлежностями или при ненадлежащем уходе, то уровень шума и/или вибрации может измениться.

*Это может привести к значительному увеличению уровня воздействия вибрации в течение всего рабочего периода.*

*При расчете приблизительного значения уровня воздействия шума и/или вибрации также необходимо учитывать время, когда инструмент выключен или то время, когда он работает на холостом ходу. Это может привести к значительному снижению уровня воздействия вибрации в течение всего рабочего периода.*

*Определите дополнительные меры техники безопасности для защиты оператора от воздействия шума и/или вибрации, а именно: поддержание инструмента и дополнительных принадлежностей в рабочем состоянии, создание комфортных условий работы (соответствующих вибрации), хорошая организация рабочего места.*

### Заявление о соответствии нормам ЕС

#### Директива по механическому оборудованию и директива по радиооборудованию



#### Отрезной инструмент DCS691

DeWALT заявляет, что продукция, описанная в разделе «Технические характеристики», соответствует: 2006/42/EC, EN60745-1:2009+A11:2010, EN60745-2-22:2011+A11:2013.

Эти изделия также соответствуют Директивам 2014/30/EU, 2014/53/EU и 2011/65/EU. За дополнительной информацией обращайтесь в компанию DeWALT по адресу, указанному ниже или приведенному на задней стороне обложки руководства.

Нижеподписавшийся несет ответственность за составление технической документации и составил данную декларацию по поручению компании DeWALT.

Маркус Ромпель  
Директор по разработке и производству  
DeWALT, Richard-Klinger-Straße 11,  
65510, Idstein, Германия  
15.03.2022

Батареи				Зарядные устройства/время зарядки (мин)**								
Кат. №	V <sub>пост. тока</sub>	Ah	Вес (kg)	DCB104	DCB107	DCB112/ DCB1102	DCB113	DCB115/ DCB1104	DCB116	DCB117	DCB118	DCB132
DCB546	18/54	6,0/2,0	1,08	60	270	170	140	90	80	40	60	90
DCB547/G	18/54	9,0/3,0	1,46	75*	420	270	220	135*	110*	60	75*	135*
DCB548	18/54	12,0/4,0	1,46	120	540	350	300	180	150	80	120	180
DCB549	18/54	15,0/5,0	2,12	125	730	450	380	230	170	90	125	230

\*Код даты 201811475В или новее

\*\*Матрица времени заряда батареи представлена только для ознакомления; время зарядки зависит от температуры и состояния батарей.



**ВНИМАНИЕ:** Во избежание риска получения травм ознакомьтесь с инструкцией.

(проводным) электроинструментам или работающим от аккумуляторной батареи (беспроводным) электроинструментам.

## Обозначения: правила техники безопасности

Ниже описывается уровень опасности, обозначаемый каждым из предупреждений. Прочитайте руководство и обратите внимание на данные символы.



**ОПАСНО:** Обозначает опасную ситуацию, которая неизбежно приведет к серьезной травме или смертельному исходу, в случае несоблюдения соответствующих мер безопасности.



**ВНИМАНИЕ:** Указывает на потенциально опасную ситуацию, которая, в случае несоблюдения соответствующих мер безопасности, может привести к серьезной травме или смертельному исходу.



**ПРЕДУПРЕЖДЕНИЕ:** Указывает на потенциально опасную ситуацию, которая, в случае несоблюдения соответствующих мер безопасности может стать причиной травм средней или легкой степени тяжести.

**ПОЯСНЕНИЕ:** Указывает на практики, использование которых не связано с получением травмы, но если ими пренебречь, могут привести к порче имущества.



Указывает на риск поражения электрическим током.



Указывает на риск возгорания.

## ОБЩИЕ ПРАВИЛА ТЕХНИКИ БЕЗОПАСНОСТИ ПРИ ИСПОЛЬЗОВАНИИ ЭЛЕКТРОИНСТРУМЕНТОВ



**ВНИМАНИЕ:** Прочитайте и просмотрите все предупреждения, инструкции, иллюстрации и спецификации по данному электроинструменту. Несоблюдение всех приведенных ниже инструкций может стать причиной поражения электрическим током, возгорания и/или тяжелой травмы.

### СОХРАНИТЕ ВСЕ ИНСТРУКЦИИ ДЛЯ ПОСЛЕДУЮЩЕГО ИСПОЛЬЗОВАНИЯ

Термин «электроинструмент» в предупреждениях относится к работающим от сети

### 1) Безопасность на рабочем месте

- Следите за чистой и хорошим освещением на рабочем месте.** Захламленное или плохо освещенное рабочее место может стать причиной несчастного случая.
- Запрещается работать с электроинструментами во взрывоопасных местах, например, вблизи легковоспламеняющихся жидкостей, газов и пыли.** Искры, которые появляются при работе электроинструментов могут привести к воспламенению пыли или паров.
- Следите за тем, чтобы во время работы с электроинструментом в зоне работы не было посторонних и детей.** Отвлекаясь от работы вы можете потерять контроль над инструментом.

### 2) Электробезопасность

- Штепсельная вилка электроинструмента должна соответствовать розетке. Никогда не меняйте вилку инструмента. Запрещается использовать переходники к вилкам для электроинструментов с заземлением.** Использование оригинальных штепсельных вилок, соответствующих типу сетевой розетки снижает риск поражения электрическим током.
- Избегайте контакта с заземленными поверхностями, такими как трубы, радиаторы и холодильники.** Если вы будете заземлены, увеличивается риск поражения электрическим током.
- Запрещается оставлять электроинструмент под дождем и в местах повышенной влажности.** При попадании воды в электроинструмент риск поражения электротоком возрастает.
- Берегите кабель от повреждений. Никогда не используйте кабель для переноски инструмента, не тяните за него, пытайтесь отключить инструмент от сети. Держите кабель подальше от источников тепла, масла, острых углов или движущихся предметов.** Поврежденный или запутанный кабель питания повышает риск поражения электрическим током.

- e) **При работе с электроинструментом на открытом воздухе используйте удлинитель, подходящий для использования на улице.**  
Использование кабеля питания, предназначенного для использования вне помещения, снижает риск поражения электрическим током.
- f) **Если использование электроинструмента в условиях повышенной влажности неизбежно, используйте устройства защитного отключения (УЗО) для защиты сети.**  
Использование УЗО сокращает риск поражения электрическим током.

### 3) Обеспечение индивидуальной безопасности

- a) **Будьте внимательны, смотрите, что делаете и не забывайте о здравом смысле при работе с электроинструментом. Запрещается работать с электроинструментом в состоянии усталости, наркотического, алкогольного опьянения или под воздействием лекарственных препаратов.** Невнимательность при работе с электроинструментом может привести к серьезным телесным повреждениям.
- b) **Используйте индивидуальные средства защиты. Всегда используйте защитные очки.** Средства защиты, такие как пылезащитная маска, обувь с нескользящей подошвой, каска и защитные наушники, используемые при работе, уменьшают риск получения травм.
- c) **Примите меры для предотвращения случайного включения. Перед тем как подключить электроинструмент к сети и/или аккумуляторной батарее, возьмите инструмент или перенести его на другое место, убедитесь в том, что выключатель находится в положении «Выкл.».** Если при переноске электроинструмента он подключен к сети, и при этом ваш палец находится на выключателе, это может стать причиной несчастных случаев.
- d) **Уберите все регулировочные или гаечные ключи перед включением электроинструмента.** Ключ, оставленный на вращающейся части электроинструмента, может привести к травме.
- e) **Не пытайтесь дотянуться до слишком удаленных поверхностей. Обувь должна быть удобной, чтобы вы всегда могли сохранять равновесие.** Это позволит лучше контролировать электроинструмент в непредвиденных ситуациях.
- f) **Одевайтесь соответствующим образом. Избегайте носить свободную одежду и ювелирные украшения. Следите за тем, чтобы волосы и одежда не попадали под движущиеся детали.** Возможно наматывание свободной одежды, ювелирных изделий и длинных волос на движущиеся детали.
- g) **При наличии устройств для подключения оборудования для удаления и сбора пыли необходимо обеспечить правильность их**

**подключения и эксплуатации.** Использование устройства для пылеудаления сокращает риски, связанные с пылью.

- h) **Не позволяйте хорошему знанию от частого использования инструментов стать причиной самонадеянности и игнорирования правил техники безопасности.** Небрежное действие может повлечь серьезные травмы за долю секунды.

### 4) Эксплуатация электроинструмента и уход за ним

- a) **Избегайте чрезмерной нагрузки электроинструмента. Используйте электроинструмент в соответствии с назначением.** Правильно подобранный электроинструмент выполнит работу более эффективно и безопасно при стандартной нагрузке.
- b) **Не пользуйтесь инструментом, если не работает выключатель.** Любый инструмент, управлять выключением и включением которого невозможно, опасен, и его необходимо отремонтировать.
- c) **Перед выполнением любых настроек, сменой аксессуаров или прежде чем убрать инструмент на хранение, отключите его от сети и/или снимите с него аккумуляторную батарею, если ее можно снять.** Такие превентивные меры безопасности сокращают риск случайного включения электроинструмента.
- d) **Храните электроинструмент в недоступном для детей месте и не позволяйте работать с инструментом людям, не имеющим соответствующих навыков работы с такого рода инструментами.** Электроинструмент представляет опасность в руках неопытных пользователей.
- e) **Поддерживайте электроинструмент и принадлежности в исправном состоянии. Проверьте, не нарушена ли центровка или не заклинены ли движущиеся детали, нет ли повреждений или иных неисправностей, которые могли бы повлиять на работу электроинструмента. В случае обнаружения повреждений, прежде чем приступить к эксплуатации электроинструмента, его нужно отремонтировать.** Большинство несчастных случаев происходит из-за электроинструментов, которые не обслуживаются должным образом.
- f) **Содержите режущий инструмент в остро заточенном и чистом состоянии.** Вероятность заклинивания инструмента, за которым следят должным образом и который хорошо заточен, значительно меньше, а работать с ним легче.
- g) **Используйте электроинструменты, принадлежности и насадки в соответствии с данными инструкциями, принимая во внимание условия работы и характер**

**выполняемой работы.** Использование электроинструмента для выполнения операций, для которых он не предназначен, может привести к созданию опасных ситуаций.

- h) **Все рукоятки и поверхности захватывания должны быть сухими и без следов смазки.** Скользкие рукоятки и поверхности захватывания не позволяют обеспечить безопасность работы и управления инструментом в непредвиденных ситуациях.

## 5) Использование аккумуляторных электроинструментов и уход за ними

- a) **Используйте для зарядки аккумуляторной батареи только указанное производителем зарядное устройство.** Использование зарядного устройства определенного типа для зарядки других батарей может привести к возгоранию.
- b) **Используйте для электроинструмента только батареи указанного типа.** Использование других аккумуляторных батарей может стать причиной травмы и пожара.
- c) **Обрезайте батарею от попадания в нее скрепок, монет, ключей, гвоздей, болтов или других мелких металлических предметов, которые могут вызывать замыкание контактов.** Короткое замыкание контактов аккумуляторной батареи может привести к пожару или получению ожогов.
- d) **При повреждении батареи, из нее может вытечь электролит. Не прикасайтесь к нему. При случайном контакте с электролитом смойте его водой. При попадании электролита в глаза обратитесь за медицинской помощью.** Жидкость, находящаяся внутри батареи, может вызвать раздражение или ожоги.
- e) **Не используйте поврежденные или измененные аккумуляторные батареи или инструменты.** Поврежденные или измененные аккумуляторные батареи могут работать непредсказуемо, что может привести к возгоранию, взрыву или риску получения травм.
- f) **Не подвешивайте аккумуляторные батареи или инструмент воздействию огня или повышенной температуры.** Открытый огонь или воздействие высокой температуры выше 130 °C может привести к взрыву.
- g) **Следуйте всем инструкциям по зарядке и не заряжайте аккумуляторную батарею или инструмент вне температурного диапазона, указанного в инструкции.** Неправильная зарядка или зарядка вне указанного температурного диапазона может привести к повреждению батареи и увеличить риск возгорания.

## 6) Обслуживание

- a) **Обслуживание электроинструмента должен проводить квалифицированный специалист с использованием только оригинальных запасных частей.** Это позволит

обеспечить безопасность обслуживаемого электрифицированного инструмента.

- b) **Не выполняйте обслуживание поврежденных электро батарей.** Обслуживание аккумуляторных батарей должно выполняться только производителем или авторизованными поставщиками услуг.

## Дополнительные специальные инструкции по технике безопасности для отрезных машин

- a) **Защитный кожух, поставляемый вместе с инструментом, должен быть надежно закреплен на электроинструменте и в целях максимальной безопасности расположен так, чтобы наименьшая часть колеса была направлена в сторону оператора. Не позволяйте людям находиться в плоскости вращения круга и не оставайтесь там сами.** Защитный кожух помогает защитить оператора от осколков круга и случайного контакта с ним.
- b) **Используйте с электроинструментом только армированные абразивные или алмазные круги.** Возможность установки принадлежности на электроинструмент не обеспечивает безопасности при ее использовании.
- c) **Номинальная скорость насадки должна, как минимум, равняться максимальной скорости, указанной на электроинструменте.** Насадка, которая вращается со скоростью, превышающей ее номинальную скорость вращения, может разрушиться и отлететь в сторону.
- d) **Используйте круги для выполнения только рекомендованных работ. Например, не выполняйте шлифование при помощи отрезного круга.** Абразивные отрезные круги предназначены для работы периферией круга; боковая нагрузка, прилагаемая к таким кругам, может привести к их разрушению.
- e) **Всегда используйте исправные фланцы для кругов, диаметр которых соответствует конкретному кругу.** Соответствующие фланцы надежно фиксируют круг, что снижает вероятность его поломки.
- f) **Не используйте изношенные абразивные круги от электроинструментов больших размеров.** Круги, предназначенные для электроинструмента больших размеров, не подходят для более высокой скорости, на которой работает инструмент меньшего размера, и поэтому могут разрушиться.
- g) **Внешний диаметр и толщина принадлежности должны соответствовать диапазону мощности электроинструмента.** Принадлежности неправильно подобранного

размера не закрываются защитным кожухом и не обеспечивают надлежащего контроля управления.

- h) **Размер оси кругов и фланцев должен точно соответствовать шпинделю электроинструмента.** Круги и фланцы с посадочными отверстиями, которые не подходят к монтажной арматуре электроинструмента, работают несбалансированно, слишком сильно вибрируют и могут привести к потере управления.
- i) **Не используйте поврежденные круги. Перед каждым использованием проверяйте круги на предмет сколов и трещин. В случае падения электроинструмента или принадлежности проверьте наличие повреждений круга или установите неповрежденный круг. После проверки и установки круга, оператор и посторонние лица не должны находиться на одной плоскости с вращающимся кругом. Запустите электроинструмент на максимальной скорости и дайте ему поработать одну минуту.** Поврежденные круги, как правило, ломаются в течение этого тестового периода.
- j) **Используйте средства индивидуальной защиты. В зависимости от типа выполняемых работ надевайте щиток для защиты лица или защитные очки. В соответствии с необходимостью надевайте пылезащитную маску, защитные наушники, перчатки и рабочий фартук, способный защитить от мелких абразивных частиц и фрагментов обрабатываемой детали. Средства защиты для глаз должны останавливать частицы, вылетающие при выполнении различных видов работ. Пылезащитная маска или респиратор должны обеспечивать фильтрацию твердых частиц, образующихся при выполнении работ.** Длительное воздействие громкого шума может привести к нарушениям слуха.
- k) **Не подпускайте посторонних лиц близко к рабочей месту. Любое лицо, входящее в рабочую зону, должно использовать средства индивидуальной защиты.** Фрагменты заготовки или разрушенного круга могут отлететь в сторону и стать причиной травмы даже за пределами рабочей зоны.
- l) **При выполнении работ, во время которых имеется вероятность контакта режущей принадлежности со скрытой электропроводкой, удерживайте инструменты только за изолированные ручки.** Если вы держитесь за металлические детали инструмента, то в случае перерезания находящегося под напряжением провода, возможно поражение оператора электрическим током.

- m) **Никогда не кладите электроинструмент, пока он полностью не остановится.** Вращающийся круг может задеть поверхность, из-за чего электроинструмент вырвется из рук.
- n) **Не включайте электроинструмент, если насадка направлена на вас.** Случайный контакт с вращающейся насадкой может привести к наматыванию одежды и контакту насадки с вашим телом.
- o) **Регулярно очищайте вентиляционные отверстия электроинструмента.** Вентилятор электродвигателя затягивает пыль внутрь корпуса, а скопление большого количества пыли на металлических частях электродвигателя повышает риск поражения электротоком.
- p) **Не используйте электроинструмент рядом с горючими материалами.** Искры могут привести к их воспламенению.
- q) **Не используйте насадки, требующие жидкостного охлаждения.** Использование воды или других жидких охлаждающих средств может привести к поражению электрическим током вплоть до смертельного исхода.

## Обратный удар и меры по его предотвращению

Обратный удар представляет собой внезапную реакцию в результате заклинивания или деформации вращающегося круга. Заклинивание или деформация вызывают мгновенную остановку вращающегося круга, что, в свою очередь, приводит к потере управления инструментом и резкому смещению инструмента в сторону, противоположную направлению вращения круга в точке заклинивания.

Например, в случае заклинивания или деформации абразивного круга в обрабатываемой детали, заклинивающий край круга может врезаться в поверхность материала, что приводит к поднятию или выталкиванию круга. Круг может отскочить в сторону оператора или в другом направлении, в зависимости от направления вращения круга в точке заклинивания. Это может также привести к поломке абразивных кругов.

Обратный удар является результатом неправильного использования инструмента и/или использованием неправильных методов или режимов работы; избежать этого явления можно путем выполнения указанных далее мер предосторожности.

- a) **Прочно удерживайте электроинструмент обеими руками и стойте таким образом, чтобы иметь возможность погасить энергию обратного удара. Для эффективного управления инструментом в случае возникновения обратного удара или реактивного крутящего момента во время запуска всегда пользуйтесь вспомогательной рукояткой, если таковая имеется.** Оператор может контролировать энергию крутящего

момента или обратного удара при соблюдении надлежащих мер предосторожности.

- b) **Никогда не держите руки вблизи вращающейся насадки.** Принадлежность может отскочить в направлении вашей руки.
- c) **Не стойте на одной линии с вращающимся кругом.** В результате обратного удара инструмент отскакивает в направлении, противоположном вращению круга в точке заклинивания.
- d) **Соблюдайте особую осторожность при обработке углов, острых кромок и т. д. Избегайте дрожания и заклинивания насадки.** Углы, острые кромки или дрожание могут вызвать заклинивание насадки в заготовке и привести к потере управления в случае возникновения обратного удара.
- e) **Не устанавливайте пильные цепи, диски для резки по дереву, сегментные алмазные круги с периферическими зазорами больше 10 мм или зубчатые отрезные диски.** Такие круги часто вызывают обратный удар и потерю контроля над инструментом.
- f) **Избегайте застревания круга в заготовке и не прилагайте чрезмерных усилий. Не пытайтесь выполнять разрез слишком большой глубины.** Слишком сильное нажатие на круг увеличивает нагрузку и возможность его деформации или заклинивания в заготовке, а также возможность возникновения обратного удара или поломки круга.
- g) **В случае заклинивания круга или прерывания резки по какой-либо причине, выключите электроинструмент и удерживайте его в неподвижном состоянии до полной остановки. Никогда не пытайтесь извлечь круг из разреза, когда он находится в движении. В противном случае, это может привести к возникновению обратного удара.** Выясните причину и примите надлежащие меры по устранению причины заклинивания круга.
- h) **Не возобновляйте работу, пока круг находится внутри заготовки. Дождитесь, пока круг наберет полные обороты, и осторожно поместите его в начатый разрез.** В случае заклинивания, круг может подскочить вверх из заготовки или привести к возникновению обратного удара при повторном запуске.
- i) **Для снижения риска заклинивания круга и возникновения обратного удара обеспечьте надлежащую опору для длинных панелей или прочих заготовок большого размера. Заготовки большого размера могут провисать под собственным весом. Опоры необходимо поместить под панель возле линии распила и возле края панели по обеим сторонам круга.**

- j) **Соблюдайте повышенную осторожность при выполнении врезного пиления стен или в других слепых зонах.** Можно случайно перерезать газовые или водопроводные трубы, электрическую проводку, а также предметы, которые могут вызвать обратный удар.

## Дополнительные правила безопасности

- **Не используйте верхнюю четверть круга для резки.** Возникновение обратного удара может привести к серьезной травме.
- **Использование принадлежностей, не указанных в данном руководстве, не рекомендуется и может представлять опасность.** Использование усилителей мощности, которые приводят к вращению инструмента на скорости выше максимально разрешенной, является неправильным использованием изделия.
- **Запрещается использовать полотна циркулярных пил с данным инструментом.** Это может привести к серьезной травме.
- **Не допускайте подпрыгивания круга и не делайте резких движений.** Если это происходит, остановите инструмент и проверьте круг на предмет поврежденный.
- **Направляйте искры в сторону от оператора, сторонних лиц или легковоспламеняющихся материалов.** При использовании шлифовальной машины или шлифовального станка могут образовываться искры. Искры могут стать причиной ожогов или возгорания.
- **Всегда пользуйтесь передней рукояткой. Надежно затягивайте рукоятку.** Для обеспечения полного контроля над инструментом во время работы всегда должна использоваться передняя рукоятка.
- **Не выполняйте резку в местах, которые могут содержать электропроводку или трубопроводы.** Это может привести к серьезной травме.
- **Часто прочищайте инструмент, особенно после интенсивного использования.** На внутренних поверхностях часто оседают пыль и грязь, содержащие металлические частицы, что может создать опасность поражения электрическим током.
- **Не используйте данный инструмент в течение длительных промежутков времени. Вибрация, вызываемая инструментом, может оказывать вредное воздействие на руки.** Используйте перчатки, для обеспечения дополнительной амортизации и старайтесь ограничивать вредное воздействие за счет частых перерывов в работе.
- **Во время работы может образовываться пыль, кристаллический материал, пар и дым.** Всегда надевайте пылезащитную маску или средства защиты органов дыхания. Опасно для здоровья!

## Остаточные риски

Несмотря на соблюдение соответствующих инструкций по технике безопасности и использование предохранительных устройств, некоторые остаточные риски невозможно полностью исключить. А именно:

- ухудшение слуха;
- риск травм от разлетающихся частиц;
- риск ожогов в результате нагревания инструмента в процессе работы;
- риск травмы в результате продолжительной работы;
- угроза здоровью вследствие вдыхания пыли, которая образуется при работе с бетоном и/или кирпичной кладкой.

## Зарядные устройства

Зарядные устройства DEWALT не требуют регулировки и максимально просты в использовании.

### Электробезопасность

Электродвигатель рассчитан на работу только при одном напряжении сети. Необходимо обязательно убедиться в том, что напряжение источника питания соответствует указанному на шильдике устройства. Необходимо также убедиться в том, что напряжение работы зарядного устройства соответствует напряжению в сети.



*Зарядное устройство DEWALT оснащено двойной изоляцией в соответствии с требованиями EN60335; поэтому провод заземления не требуется.*

В случае повреждения кабеля питания его необходимо заменить специально подготовленным кабелем, который можно приобрести в сервисных центрах DEWALT.

### Использование удлинительного кабеля

Используйте удлинитель только в случаях крайней необходимости. Используйте только утвержденные удлинители промышленного изготовления, рассчитанные на мощность не меньшую, чем потребляемая мощность зарядного устройства (см. **Технические характеристики**). Минимальное поперечное сечение провода электрического кабеля должно составлять 1 мм<sup>2</sup>; максимальная длина 30 м. При использовании кабельного барабана всегда полностью разматывайте кабель.

### Важные инструкции по технике безопасности для всех зарядных устройств

**СОХРАНИТЕ НАСТОЯЩЕЕ РУКОВОДСТВО.** В данном руководстве содержатся важные инструкции по технике безопасности для совместимых зарядных устройств (см. **Технические характеристики**).

- *Перед тем как использовать зарядное устройство, внимательно изучите все инструкции и предупреждающие этикетки на зарядном устройстве, батарее и инструменте, для которого используется батарея.*



**ВНИМАНИЕ:** Опасность поражения электрическим током. Не допускайте попадания жидкости

в зарядное устройство. Это может привести к поражению электрическим током.



**ВНИМАНИЕ:** Рекомендуется использовать устройство защитного отключения (УЗО) с током утечки до 30 мА.



**ВНИМАНИЕ:** Опасность ожога. Во избежание травм, следует использовать только аккумуляторные батареи производства DEWALT. Использование батарей другого типа может привести к взрыву, травмам и повреждениям.



**ПРЕДУПРЕЖДЕНИЕ:** Не позволяйте детям играть с данным устройством.

**ПОЯСНЕНИЕ:** В определенных условиях, при подключении зарядного устройства к источнику питания, может произойти короткое замыкание контактов внутри зарядного устройства посторонними материалами. Не допускайте попадания в полости зарядного устройства таких токопроводящих материалов, как стальная стружка, алюминиевая фольга или другие металлические частицы и т. п. Всегда отключайте зарядное устройство от источника питания, если в нем нет аккумуляторной батареи. Всегда отключайте зарядное устройство от сети перед тем, как приступить к очистке инструмента

- **НЕ ПЫТАЙТЕСЬ заряжать батарею с помощью каких-либо других зарядных устройств, кроме тех, которые указаны в данном руководстве.** Зарядное устройство и батарея предназначены для совместного использования.
- **Эти зарядные устройства не предназначены ни для какого другого использования, помимо зарядки аккумуляторных батарей DEWALT.** Использование любых других батарей может привести к возгоранию, поражению электротоком или гибели от электрического шока.
- **Не подвергайте зарядное устройство воздействию снега или дождя.**
- **При отключении зарядного устройства от сети всегда тяните за штепсельную вилку, а не за кабель.** Это поможет избежать повреждения штепсельной вилки и розетки.
- **Убедитесь в том, что кабель расположен таким образом, чтобы на него не наступили, не споткнулись об него, а также в том, что он не натянут и не может быть поврежден.**
- **Не используйте удлинительный кабель без крайней необходимости.** Использование удлинительного кабеля неподходящего типа может привести к пожару или поражению электрическим током.
- **Не ставьте на зарядное устройство никакие предметы и не устанавливайте зарядное устройство на мягкую поверхность, которая может закрыть вентиляционные отверстия и привести к перегреву.** Не размещайте зарядное устройство поблизости от источников тепла.

Вентиляция зарядного устройства происходит с помощью отверстий в верхней и нижней части корпуса.

- **Не используйте зарядное устройство при наличии поврежденной кабеля или штепсельной вилки** – в этом случае необходимо немедленно их заменить.
- **Не используйте зарядное устройство, если его роняли, либо если оно подвергалось сильным ударам или было повреждено каким-либо иным образом.** Обратитесь в авторизованный сервисный центр.
- **Не разбирайте зарядное устройство. При необходимости обратитесь в специализированный сервисный центр, если нужно провести обслуживание или ремонт инструмента.** Неправильная сборка может стать причиной пожара или поражения электрическим током.
- В случае повреждения кабеля питания его необходимо немедленно заменить у производителя, в его сервисном центре или с привлечением другого специалиста аналогичной квалификации для предотвращения несчастного случая.
- **Перед очисткой отключите зарядное устройство от сети. В противном случае, это может привести к поражению электрическим током.** Извлечение аккумуляторной батареи не приведет к снижению степени этого риска.
- **НИКОГДА** не пытайтесь соединить два зарядных устройства вместе.
- **Зарядное устройство предназначено для работы при стандартном напряжении сети в 230 В. Не пытайтесь использовать его при каком-либо ином напряжении.** Это не относится к автомобильному зарядному устройству.

## Зарядка батареи (Рис. [Fig.] В)

1. Перед установкой батареи подключите зарядное устройство к соответствующей сетевой розетке.
2. Вставьте аккумуляторную батарею **24** в зарядное устройство, убедившись в том, что она хорошо установлена. Красный индикатор зарядки начнет мигать. Это означает, что процесс зарядки начался.
3. По окончании зарядки красный индикатор будет гореть непрерывно, не мигая. Теперь батарея полностью заряжена, и ее можно использовать или оставить в зарядном устройстве. Чтобы извлечь аккумуляторную батарею из зарядного устройства, нажмите кнопку фиксатора батареи **16** и извлеките батарею.

**ПРИМЕЧАНИЕ:** Чтобы обеспечить максимальную производительность и срок службы литий-ионных батарей, перед первым использованием полностью зарядите аккумуляторную батарею.

## Работа с зарядным устройством

См. состояние зарядки аккумуляторной батареи на приведенных ниже индикаторах.

### Индикаторы зарядки



\*Красный индикатор продолжит мигать, но загорится желтый индикатор. После того, как батарея достигнет рабочей температуры, желтый индикатор погаснет, и зарядка продолжится.

Зарядное(-ые) устройство(-а) не может(-гут) полностью зарядить неисправную аккумуляторную батарею. При неисправной аккумуляторной батарее, индикатор на зарядном устройстве не загорится.

**ПРИМЕЧАНИЕ:** Также это может указывать на проблему с зарядным устройством.

Если зарядное устройство указывает на наличие проблемы, проверьте аккумулятор и зарядное устройство в специализированном сервисном центре.

### Температурная задержка

Если температура батареи слишком низкая или слишком высокая, зарядное устройство автоматически переходит в режим температурной задержки; при этом зарядка не начинается до тех пор, пока батарея не достигнет нужной температуры. После того, как нужный уровень температуры будет достигнут, устройство перейдет в режим зарядки. Данная функция обеспечивает максимальный срок эксплуатации батареи.

Зарядка холодной батареи занимает больше времени, чем теплой. Аккумуляторная батарея заряжается медленнее во время всего цикла зарядки и максимального заряда не удастся добиться даже после того, как аккумуляторная батарея нагреется.

Зарядное устройство DCB118 оснащено внутренним вентилятором для охлаждения батареи. Вентилятор включится автоматически, если батарея нуждается в охлаждении. Не используйте зарядное устройство, если вентилятор не функционирует или если забиты вентиляционные отверстия. Не позволяйте посторонним предметам попадать внутрь зарядного устройства.

### Система электронной защиты

Литий-ионные аккумуляторные батареи XR оснащены системой электронной защиты, которая защищает аккумуляторную батарею от перегрузки, перегрева или глубокой разрядки.

При срабатывании системы электронной защиты инструмент автоматически отключается. В этом случае поставьте литий-ионную батарею на зарядку до тех пор, пока она полностью не зарядится.

### Крепление на стену

Данные зарядные устройства могут крепиться на стены или устанавливаться на стол или рабочую поверхность. При креплении на стену расположите зарядное устройство



в пределах досягаемости розетки и подальше от углов и других препятствий, которые могут помешать потоку воздуха. Используйте заднюю часть зарядного устройства в качестве образца для положения монтажных болтов на стене. Надежно закрепите зарядное устройство при помощи саморезов (приобретаются отдельно) длиной минимум в 25,4 мм с диаметром шляпки самореза в 7–9 мм, вкрученных в дерево до оптимальной глубины, оставляющей на поверхности примерно 5,5 мм самореза. Совместите отверстия на задней стороне зарядного устройства с выступающими саморезами и полностью вставьте их в отверстия.

## Инструкции по очистке зарядного устройства



**ВНИМАНИЕ: Опасность поражения электрическим током. Перед чисткой отключите зарядное устройство от сети питания.** Грязь и жир можно удалить с наружной поверхности зарядного устройства с помощью тряпки или мягкой неметаллической щетки. Не используйте воду или чистящие растворы. Не допускайте попадания жидкости внутрь инструмента; никогда не погружайте никакие из деталей инструмента в жидкость.

## Аккумуляторные батареи

### Важные инструкции по технике безопасности для всех батарей

При заказе запасных батарей не забудьте указать номер по каталогу и напряжение.

При покупке батарея заряжена не полностью. Перед тем, как использовать батарею и зарядное устройство, прочтите следующие инструкции по технике безопасности. Затем выполните необходимые действия для зарядки.

### ВНИМАТЕЛЬНО ПРОЧИТЕ ВСЕ ИНСТРУКЦИИ

- **Не заряжайте и не используйте батарею во взрывоопасной атмосфере, например, при наличии горючих жидкостей, газов или пыли.** Установка или удаление батареи из зарядного устройства может привести к воспламенению пыли или газов.
- **Никогда не прилагайте больших усилий, вставляя батарею в зарядное устройство. Не вносите изменения в конструкцию батарей с целью установить их в зарядное устройство, к которому они не подходят. Это может привести к серьезным травмам.**
- Заряжайте батареи только с помощью зарядных устройств DEWALT.
- **НЕ ПРОЛИВАЙТЕ** на них и не погружайте их в воду или другие жидкости.
- **Не храните и не используйте данное устройство и батарею при температуре выше 40 °C (например, на внешних пристройках или на металлических поверхностях зданий в летнее время).**

- **Не сжигайте батареи, даже поврежденные или полностью обработанные.** При попадании в огонь батареи могут взорваться. При сжигании литий-ионных батарей образуются токсичные вещества и газы.
- **При попадании содержимого батареи на кожу, немедленно промойте это место водой с мылом.** При попадании содержимого батареи в глаза, необходимо промыть открытые глаза проточной водой в течение 15 минут или до тех пор, пока не пройдет раздражение. При необходимости обращения к врачу, может пригодиться следующая информация: электролит представляет собой смесь жидких органических углекислых и литиевых солей.
- **При вскрытии батареи, ее содержимое может вызвать раздражение дыхательных путей.** Обеспечьте наличие свежего воздуха. Если симптомы сохраняются, обратитесь к врачу.



**ВНИМАНИЕ: Опасность ожога.** Содержимое батареи может воспламениться при попадании искр или огня.



**ВНИМАНИЕ: Ни в коем случае не разбирайте батарею.** При наличии трещин или других повреждений батареи, не устанавливайте ее в зарядное устройство. Не роняйте батарею и не подвергайте ее ударам или другим повреждениям. Не используйте батарею или зарядное устройство после удара, падения или получения каких-либо других повреждений (например, после того, как ее проткнули гвоздем, ударили молотком или наступили на нее). Это может привести к электрическому шоку или смерти. Поврежденные батареи необходимо вернуть в сервисный центр для повторной переработки.



**ВНИМАНИЕ: Риск воспламенения. Избегайте замыкания выводов батарей металлическими предметами во время хранения или переноски.** Например, не кладите аккумуляторные батареи в передники, карманы, ящики для инструментов, выдвижные ящики и т. п. с гвоздями, гайками, ключами и т. п.



**ПРЕДУПРЕЖДЕНИЕ: Когда устройство не используется, кладите его на бок на устойчивую поверхность в таком месте, где оно не может упасть и об него нельзя споткнуться.** Некоторые устройства с батареями большого размера, стоят сверху на батарее, и могут легко упасть.

### Транспортировка



**ВНИМАНИЕ: Риск воспламенения.** При транспортировке аккумуляторных батарей может произойти возгорание, если терминалы аккумуляторных батарей случайно будут замкнуты электропроводящими материалами. При транспортировке аккумуляторных батарей убедитесь в том, что терминалы защищены

*и хорошо изолированы от материалов, контакт с которыми может привести к короткому замыканию.*

**ПРИМЕЧАНИЕ:** Литий-ионные аккумуляторные батареи запрещается сдавать в багаж.

Батареи DEWALT соответствуют всем применимым правилам транспортировки, как предусмотрено промышленными и юридическими стандартами, включая рекомендации ООН по транспортировке опасных грузов; Ассоциация международных авиаперевозчиков (IATA) правила перевозки опасных грузов, Международные правила перевозки опасных грузов морским путем (IMDG), и европейское соглашение о международной дорожной перевозке опасных грузов (ADR). Литий-ионные элементы и аккумуляторные батареи были протестированы в соответствии с разделом 38.3 Рекомендаций ООН по транспортировке опасных грузов руководства по тестам и критериям.

В большинстве случаев транспортировка аккумуляторных батарей DEWALT не попадает под классификацию, поскольку они не являются опасными материалами Класса 9. В целом, полностью под правила Класса 9 подпадают только перевозки литий-ионных батарей с энергоемкостью выше 100 Ватт час (Вт ч). Энергоемкость всех литий-ионных аккумуляторных батарей в Ватт-часах указана на упаковке. Кроме того, из-за сложности правил, DEWALT не рекомендует перевозку литий-ионных батарей по воздуху вне зависимости от их энергоемкости. Поставки инструментов с батареями (комбинированные наборы) могут перевозиться по воздуху согласно исключениям, если энергоемкость батареи не превышает 100 Вт ч.

Независимо от того, является ли перевозка исключением или выполняется по правилам, перевозчик должен уточнить последние требования к упаковке, маркировке и оформлению документации.

Информация, изложенная в данном руководстве обоснована и на момент создания данного документа может считаться точной. Но эта гарантия не является ни выраженной, ни подразумеваемой. Покупатель должен обеспечить то, что бы его деятельность соответствовала всем применимым законам.

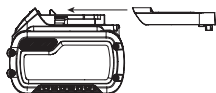
### Транспортировка батареи FLEXVOLT™

Батарея DEWALT FLEXVOLT™ оснащена двумя режимами: **эксплуатации и транспортировки.**

**Режим эксплуатации:** если батарея FLEXVOLT™ используется отдельно или в изделии DEWALT на 18 В, то она будет работать в качестве батареи 18 В. Если батарея FLEXVOLT™ используется в изделии на 54 В или 108 В (две батареи 54 В), то она будет работать в качестве батареи 54 В.

**Режим транспортировки:** если к батарее FLEXVOLT™ прикреплена крышка, то батарея находится в режиме транспортировки. Сохраните крышку для транспортировки.

При режиме транспортировки ряды элементов электрически отсоединяются внутри батареи, что в итоге дает



3 батареи с более низкой энергоемкостью в ватт-часах (Вт ч)

по сравнению с 1 батареей с более высокой емкостью в ватт-часах. Данное увеличенное количество в 3 батареи с более низкой энергоемкостью может исключить комплект из некоторых ограничений на перевозку, налагаемых на батарею с более высокой энергоемкостью.

Например, энергоемкость в режиме транспортировки указана как 3 × 36 Вт ч, что может означать 3 батареи с емкостью в 36 Вт ч каждая. Энергоемкость в режиме эксплуатации указана как 108 Вт ч (подразумевается 1 батарея).

Пример маркировки режимов эксплуатации и транспортировки



### Рекомендации по хранению

1. Лучшим местом для хранения является прохладное и сухое место, защищенное от прямых солнечных лучей, высокой или низкой температуры. Для оптимальной работы и продолжительного срока службы, храните неиспользуемые аккумуляторные батареи при комнатной температуре.
2. Для достижения максимальных результатов при продолжительном хранении рекомендуется полностью зарядить батарейный комплект и хранить его в прохладном сухом месте вне зарядного устройства.

**ПРИМЕЧАНИЕ:** Аккумуляторные батареи не должны храниться в полностью разряженном состоянии. Перед использованием аккумуляторная батарея требует повторной зарядки.

### Маркировка на зарядном устройстве и аккумуляторной батарее

Помимо пиктограмм, используемых в данном руководстве, на зарядном устройстве и батарее имеются следующие обозначения:



Перед началом работы прочтите руководство по эксплуатации.



Чтобы узнать время зарядки, см. **Технические характеристики.**



Не касайтесь токопроводящими предметами контактов батареи и зарядного устройства.



Не пытайтесь заряжать поврежденную батарею.



Не подвергайте электроинструмент или его элементы воздействию влаги.



Немедленно замените поврежденный кабель питания.



Зарядку осуществляйте только при температуре от 4 °С до 40 °С.



Для использования внутри помещений.



Утилизируйте отработанные батареи безопасным для окружающей среды способом.



Заряжайте аккумуляторные батареи DeWALT только с помощью соответствующих зарядных устройств DeWALT. Зарядка иных аккумуляторных батарей отличных от разработанных DeWALT может привести к возгоранию аккумуляторных батарей и возникновению других опасных ситуаций.



Не сжигайте аккумуляторную батарею.



**ЭКСПЛУАТАЦИЯ** (без крышки для транспортировки).  
Пример: емкость указана как 108 Вт ч (1 батарея с 108 Вт ч).



**ТРАНСПОРТИРОВКА** (с крышкой для транспортировки). Пример: емкость указана как 3 x 36 Вт ч (3 батареи по 36 Вт ч).

## Тип батареи

DCS691 работает от аккумуляторной батареи напряжением 54 В.

Могут применяться следующие типы батарей: DCB181, DCB182, DCB183, DCB183B, DCB183G, DCB184, DCB184B, DCB184G, DCB184LR, DCB185, DCB187, DCB189, DCBP034, DCBP034G, DCBP518, DCBP518G. Подробную информацию см. в **Технических характеристиках**.

## Комплект поставки

В комплект входят:

- 1 Отрезной инструмент
- 1 Алмазный диск (только для версии X2)
- 1 Ключ 12,7 мм
- 1 Зарядное устройство (только для версии X2)
- 2 Литий-ионные аккумуляторы (только для версии X2)
- 1 Руководство по эксплуатации

**ПРИМЕЧАНИЕ.** Аккумуляторные батареи, зарядные устройства и инструментальные ящики не входят в комплект поставки для моделей N. Аккумуляторные батареи и зарядные устройства не входят в комплект поставки для моделей NT. Модели B включают в себя аккумуляторные батареи Bluetooth®.

**ПРИМЕЧАНИЕ.** Словесный товарный знак и логотип Bluetooth® являются зарегистрированными товарными знаками Bluetooth®, SIG, Inc. любое использование этих знаков DeWALT лицензировано. Другие торговые марки и названия принадлежат их владельцам.

- Проверьте инструмент, детали и дополнительные принадлежности на предмет повреждений, которые могли произойти во время транспортировки.

- Перед эксплуатацией внимательно прочтите данное руководство.

## Маркировка на инструменте

На инструмент нанесены следующие обозначения:



Перед началом работы прочтите руководство по эксплуатации.



Используйте защитные наушники.



Используйте защитные очки.



Видимое излучение. Не направляйте луч в глаза.

## Местоположение кода даты (Рис. А)

Код даты изготовления **14** состоит из 4 цифр года, за которыми следуют 2 цифры недели и 2 цифры заводского кода.

## Описание (рис. А)



**ОСТОРОЖНО!** Никогда не вносите изменения в конструкцию электроинструмента или какой-либо его части. Это может привести к повреждениям или травмам.

- |   |                                    |
|---|------------------------------------|
| 1 Основная ручка  | 8 Защитный кожух                   |
| 2 Курковый пусковой выключатель                                   | 9 Ось винта                        |
| 3 Кнопка блокировки пускового выключателя в выключенном состоянии | 10 Кнопка блокировки шпинделя      |
| 4 Дверь батарейного отсека  | 11 Рычаг поворота защитного кожуха |
| 5 Ключ 12,7 мм  | 12 Подошва                         |
| 6 Светодиодная подсветка  | 13 Водяной клапан                  |
| 7 Передняя ручка  | 14 Код даты                        |
|   | 15 Водяной патрубков               |

## Назначение

Отрезной инструмент предназначен для профессиональных работ по резке. При резке бетона всегда подавайте воду. При резке металла возможна сухая резка.

**НЕ ИСПОЛЬЗУЙТЕ** вблизи от легковоспламеняющихся жидкостей или газов.


Данный отрезной инструмент является профессиональным электроинструментом.

**НЕ ПОЗВОЛЯЙТЕ** детям прикасаться к инструменту. Использование инструмента неопытными пользователями должно происходить под контролем опытного лица.


- **Малолетние дети и люди с ограниченными физическими возможностями.** Данное изделие не предназначено для использования маленькими детьми или людьми с ограниченными физическими возможностями, если они не находятся под присмотром лица, отвечающего за их безопасность.

- Данный инструмент не предназначен для использования лицами (включая детей) с ограниченными физическими, психическими и умственными возможностями, не имеющими опыта, знаний или навыков работы с ним, если они не находятся под наблюдением лица, ответственного за их безопасность. Никогда не оставляйте детей с этим инструментом без присмотра.
- **НЕ РЕЖЬТЕ** бетон без подключения к системе подачи воды.

## СБОРКА И РЕГУЛИРОВКА

-  **ВНИМАНИЕ:** Чтобы снизить риск получения серьезной травмы, необходимо выключить инструмент и отсоединить батарею, прежде чем выполнять какую-либо регулировку либо удалять/устанавливать какие-либо насадки или дополнительные принадлежности. Случайный запуск может привести к травме.

## Установка и извлечение аккумуляторной батареи из инструмента (рис. B)

-  **ОСТОРОЖНО!** Не работайте с открытой дверью батарейного отсека. Не допускайте попадания воды в батарейный отсек.

**ПРИМЕЧАНИЕ.** Убедитесь, что аккумуляторная батарея **24** полностью заряжена.

### Установка батареи в инструмент

1. Разблокируйте и откройте дверь батарейного отсека **4**.
2. Чтобы установить аккумуляторный блок **24** в инструмент, совместите аккумуляторный блок с направляющими внутри инструмента и вставьте его, чтобы аккумуляторный блок был надежно размещен в инструменте. Убедитесь, что он не выпадает.
3. Закройте дверь батарейного отсека и убедитесь, что она надежно закрыта.

### Извлечение аккумуляторного блока из инструмента

1. Разблокируйте и откройте дверь батарейного отсека.
2. Нажмите кнопку разблокирования батарейного отсека **16** и вытащите аккумуляторный блок из инструмента.
3. Вставьте его в зарядное устройство, как описано в разделе «Зарядка аккумуляторной батареи».

Не оставляйте крышку батарейного отсека открытой.

### Датчики уровня заряда аккумуляторной батареи (рис. B)


Некоторые аккумуляторные батареи DEWALT оборудованы датчиком текущего уровня заряда батареи в виде трех зеленых светодиодных индикаторов.

Для включения датчика заряда, нажмите и удерживайте кнопку датчика **23**. Комбинация из трех горящих зеленых светодиодных индикаторов обозначает текущий уровень


заряда батареи. Когда уровень заряда аккумуляторной батареи упадет ниже эксплуатационного предела, датчик погаснет, и батарее нужно будет зарядить.

**ПРИМЕЧАНИЕ.** Расходомер является индикатором только лишь уровня заряда, оставшегося в батарее. Он не является индикатором работоспособности инструмента и его показания могут меняться в зависимости от компонентов продукта, температуры и области применения.


## Установка кругов (рис. A, C)

-  **ОСТОРОЖНО!** Опасность ожога. Острые детали. При замене кругов **ОБЯЗАТЕЛЬНО** надевайте перчатки. Круги обладают острыми краями и могут крайне сильно нагреваться во время работы, поэтому они представляют опасность для голых рук.

1. Положите устройство на твердую поверхность шпинделем **21** вверх.
2. Зажмите кнопку блокировки шпинделя **10**, чтобы не дать шпинделю вращаться.
3. С помощью 12,7 мм ключа **5** (находится в батарейном отсеке) снимите гайку шпинделя **17**, внешнюю зажимную шайбу **18** и используемый круг **19**, если он установлен. Резьба шпинделя — правосторонняя.
4. Внутренняя зажимная шайба **20** удерживается валом с лысками и упорным кольцом.
5. Наденьте круг на шпиндель. Убедитесь, что диск проходит по посадочному диаметру внутренней зажимной шайбы. Наденьте внешнюю зажимную шайбу. Вставьте и немного вкрутите гайку шпинделя, который самостоятельно выравнивает внешнюю зажимную шайбу. Убедитесь, что круг установлен правильной стороной.
6. Нажмите на кнопку блокировки шпинделя и затяните гайку с помощью ключа. Не затягивайте гайку шпинделя слишком плотно.
7. Поверните круг вручную и убедитесь, что он правильно отцентрирован. Круг не должен касаться башмака, защитного кожуха или гайки. Гайка шпинделя и фланцы должны быть плотно затянуты.

-  **ВНИМАНИЕ!** Используйте с этим инструментом только круги 230 мм типа 1/41 с отверстием под ось 22,2 мм. Не применяйте силу для установки кругов на инструмент и не меняйте размер посадочного отверстия.

## Регулировка угла защитного кожуха (рис. D)

-  **ОСТОРОЖНО!** Смещение защитного кожуха назад с увеличением зазора повышает риск возникновения обратного удара. Защитный кожух следует открывать шире только в случае необходимости.

Угол наклона защитного кожуха можно отрегулировать.

1. Чтобы отрегулировать угол наклона защитного кожуха, оттяните рычаг поворота защитного кожуха **11** и удерживайте его.

2. Крепко возьмитесь за защитный кожух **8** и поверните его до нужного угла.
3. Отпустите рычаг поворота защитного кожуха и убедитесь, что он зафиксирован. Если рычаг поворота защитного кожуха не срабатывает, слегка поверните защитный кожух, пока рычаг поворота защитного кожуха не вернется в зафиксированное положение.

## Возможность установки метки инструмента DeWALT (рис. G)

### Дополнительные принадлежности

Ваш отрезной инструмент оснащен монтажными отверстиями **22** и крепежными фиксаторами для установки трекера инструмента DeWALT. Вам понадобится насадка T15 для установки трекера. Трекер инструмента DeWALT предназначена для отслеживания и поиска профессиональных электроинструментов, оборудования и машин с помощью приложения DeWALT Tool Connect™. Для правильной установки трекера инструмента DeWALT обратитесь к руководству трекера инструмента DeWALT.

## ЭКСПЛУАТАЦИЯ

### Инструкции по использованию



**ВНИМАНИЕ:** Всегда следуйте указаниям действующих норм и правил безопасности.



**ВНИМАНИЕ:** Чтобы снизить риск получения серьезной травмы, необходимо выключить инструмент и отсоединить батарею, прежде чем выполнять какую-либо регулировку либо удалять/устанавливать какие-либо насадки или дополнительные принадлежности. Случайный запуск может привести к травме.

### Правильное положение рук во время работы (рис. F)



**ОСТОРОЖНО!** Во избежание риска получения серьезных травм **ВСЕГДА** используйте правильное положение рук как показано на рисунке.



**ОСТОРОЖНО!** Во избежание риска получения серьезных травм **ВСЕГДА** крепко держите инструмент, предупреждая внезапную резкую отдачу.

При правильном расположении рук одна рука находится на основной рукоятке **1**, а другая рука на передней рукоятке **7**.

### Беспроводное управление инструментом (рис. A)



**ВНИМАНИЕ!** Прочтите все правила техники безопасности, инструкции и спецификации устройства, сопряженного с инструментом.

Ваш инструмент оборудован передатчиком беспроводного управления, с помощью которого он может быть сопряжен

с другим устройством беспроводного управления — например, пылесосом.

Для сопряжения инструмента посредством беспроводного управления, нажмите и удерживайте пусковой выключатель **2** на инструменте и кнопку сопряжения беспроводного управления на другом устройстве. Светодиодный индикатор на другом устройстве загорится, когда ваш инструмент будет успешно сопряжен.

### Кнопка блокировки шпинделя (рис. A, C)

Кнопка блокировки шпинделя **10** предназначена для блокировки шпинделя **21** во время замены дополнительных принадлежностей.

1. Чтобы задействовать кнопку блокировки шпинделя, извлеките аккумуляторную батарею и убедитесь, что пусковой выключатель находится в положении выключения.
2. Нажмите кнопку блокировки шпинделя и вращайте круг и шпиндель до тех пор, пока кнопка блокировки не зафиксирует шпиндель.
3. Используйте поставленный в комплекте ключ **5**, чтобы отвернуть гайку шпинделя **17** и снять или установить дополнительные принадлежности. Резьба шпинделя — правосторонняя.

### Кнопка блокировки пускового выключателя (рис. A)

Отрезной инструмент оснащен кнопкой блокировки **3**. Чтобы зафиксировать пусковой выключатель в положении OFF, нажмите на кнопку блокировки с левой стороны инструмента. Чтобы разблокировать пусковой выключатель, нажмите на кнопку блокировки с правой стороны инструмента.

### Светодиодный индикатор (рис. A)

Светодиодный индикатор **6** загорается как предупреждение о том, что идет чрезмерное давление на инструмент. Продолжение работы после того, как загорелась светодиодная подсветка, может привести к перегреву или отключению инструмента.

### Эксплуатация (рис. A)



**ВНИМАНИЕ!** Перед началом работы уверенно возьмитесь за инструмент обеими руками перед его подъемом.



**ОСТОРОЖНО!** Снятие фасок следует выполнять только со специально предназначенными для этого кругами. В целях безопасности, направляйте инструмент открытой стороной защитного кожуха к поверхности во время снятия фасок.



**ОСТОРОЖНО!** При изгибании или скручивании во время выполнения резки, круги могут разрушиться или привести к отдаче.



**ОСТОРОЖНО!** Не используйте круги для снятия фасок для шлифования поверхностей, так как данные круги не рассчитаны на боковые нагрузки,

*образующиеся при шлифовании поверхностей. Последствием этого может стать разрушение круга и получение травмы.*

1. Крепко возьмитесь за основную рукоятку **1** и переднюю рукоятку **7**.
2. Подведите круг к обрабатываемому материалу. Убедитесь в отсутствии посторонних предметов рядом с кругом или на одной линии с ним.
3. Чтобы включить инструмент нажмите на пусковой выключатель **2**. Затем медленно, с сильным нажимом введите круг в работу. Башмак **12** можно использовать для направления инструмента при выполнении пропилов. Избегайте чрезмерной нагрузки на инструмент. Поддерживайте высокую скорость вращения круга, чтобы обеспечить ему максимальную эффективность и срок службы.
4. Чтобы остановить инструмент, отпустите пусковой выключатель **2**.

### Принцип резки с подачей воды (рис. А, G, H)

**!** **ВНИМАНИЕ!** *Запрещается использовать пилу над головой. При использовании подачи воды используйте инструмент только в горизонтальном положении, чтобы предотвратить попадание воды в инструмент.*

**!** **ОСТОРОЖНО!** *Резку с подачей воды следует производить только с алмазным лезвием.*

1. Подсоедините подачу воды к водозаборнику **15**.
2. Чтобы регулировать поток воды, поверните водяной клапан **13** в открытое положение, как показано на рисунке G. Чтобы остановить поток воды, закройте водяной клапан, как показано на рисунке H.
3. Приступайте к резке, как описано в разделе «Эксплуатация».
4. После окончания работы отсоедините от инструмента подачу воды.

### Применения

**!** **ОСТОРОЖНО!** *Резка магнезия данным инструментом ЗАПРЕЩАЕТСЯ. Искры магнезия могут привести к травмированию людей.*

**!** **ОСТОРОЖНО!** *Резка бетона допускается ТОЛЬКО с подачей воды.*

- Листовой металл толщиной не более 3 мм
- Бетон, шлакоблоки и кирпичи
- Арматурный прут диаметром менее 25,4 мм
- Бетонная проволочная сетка диаметром 3 мм
- Гофрированные формы для пола и потолка (бетонные формы)
- Канал электропроводки с толщиной стенки 3 мм
- Конструкционные формы толщиной не более 3 мм, такие как швеллер, уголок, пластина и т. д.

**ПРИМЕЧАНИЕ.** Резка материалов тяжелее перечисленных выше не рекомендуется из-за возможности электрической перегрузки.

### Транспортировка и хранение

При транспортировке и хранении, фиксируйте пусковой выключатель кнопкой блокировки.

Извлекайте аккумуляторную батарею из инструмента перед тем, как убрать его на хранение.

### ТЕХНИЧЕСКОЕ ОБСЛУЖИВАНИЕ

Электроинструмент имеет длительный срок эксплуатации и требует минимальных затрат на техобслуживание. Для длительной безотказной работы необходимо обеспечить правильный уход за инструментом и его регулярную очистку.

**!** **ВНИМАНИЕ:** *Чтобы снизить риск получения серьезной травмы, необходимо выключить инструмент и отсоединить батарею, прежде чем выполнять какую-либо регулировку либо удалять/устанавливать какие-либо насадки или дополнительные принадлежности. Случайный запуск может привести к травме.*

Зарядное устройство и аккумуляторные батареи неремонтопригодны.

### Смазка

Ваш электроинструмент не требует дополнительной смазки.

### Чистка

**!** **ОСТОРОЖНО!** *Опасность поражения электрическим током и механического повреждения. Перед чисткой отсоедините электроприбор от источника питания.*

**!** **ОСТОРОЖНО!** *Для обеспечения безопасной и эффективной работы электроинструмента всегда содержите его и вентиляционные отверстия в чистоте.*

**!** **ОСТОРОЖНО!** *Никогда не пользуйтесь растворителями или другими сильнодействующими химическими веществами для чистки неметаллических частей инструмента. Химические вещества воздействуют на материалы, используемые в деталях. Для чистки пользуйтесь тканью, смоченной мягким мыльным раствором. Не допускайте попадания жидкости внутрь инструмента; никогда не погружайте какие-либо из деталей инструмента в жидкость.*

Вентиляционные отверстия можно очищать сухой мягкой неметаллической щеткой и/или подходящим пылесосом. Не используйте воду или чистящие растворы. Носите разрешенные средства защиты глаз и пылезащитную маску.

### Дополнительные принадлежности

**!** **ВНИМАНИЕ:** *Поскольку принадлежности, отличные от тех, которые предлагает DEWALT, не проходят тесты на данном изделии, то использование этих принадлежностей может привести к опасной ситуации. Во избежание риска получения травмы, с данным продуктом должны*

использоваться только рекомендованные DEWALT  
дополнительные принадлежности.

По вопросу приобретения дополнительных  
принадлежностей обращайтесь к Вашему дилеру.

## Защита окружающей среды



Изделия/аккумуляторные батареи подлежат вторичной переработке, однако при наличии символа перечеркнутого мусорного бака на маркировке их запрещается утилизировать с обычными бытовыми отходами.

Полностью разрядите батареи и отделите их, а также, если возможно, отделите все источники света от изделия. Пользователь несет ответственность за удаление личных данных из продукта. Затем отнесите отходы в официальный центр сбора мусора или к участвующему в программе розничному продавцу, который часто принимает их бесплатно. Упаковку следует выбросить в соответствии с обозначенным кодом материала. Инструкции по эксплуатации и правила техники безопасности следует утилизировать только в том случае, если изделие, к которому они относятся, больше не используется.

Пожалуйста, обратитесь в местное сообщество/ муниципалитет за рекомендациями по обращению с отходами. Для получения дополнительной информации посетите сайт [www.2helpU.com](http://www.2helpU.com) и отсканируйте приведенный выше QR-код.

## Дополнительная информация:

Дату изготовления (код даты) указан на корпусе инструмента. Код даты, который так же включает год изготовления, отштампован на поверхности корпуса изделия. Пример: 2021 46 XX, где 2021 – год изготовления, 46-неделя изготовления, XX – код завода изготовителя.

ТОВАР СЕРТИФИЦИРОВАН. Орган по сертификации "РОСТЕСТ- Москва", Адрес: 119049, г. Москва, улица Житная, д. 14, стр. 1; 117418, Москва, Нахимовский просп., 31 (факт.). Тел.: (499) 1292311, (495) 6682893, E-mail: office@rostest.ru

Изготовитель: Изготовитель: Блэк энд Деккер Холдингс ГмбХ, Германия, 65510, Идштайн, ул. Блэк энд Деккер, 40, тел. +496126212790.

Уполномоченное изготовителем юрлицо: ООО "Стэнли Блэк энд Деккер", 117485, город Москва, улица Обручева, дом 30/1, строение 2, Телефон: + 7 (495) 258-3981, факс: + 7 (495) 258-3984, E-mail: [inbox@dewalt.com](mailto:inbox@dewalt.com). Сведения о импортере указаны в сопроводительной документации и/ или на упаковке.



## ГАРАНТИЙНЫЙ ТАЛОН



1. Поздравляем Вас с покупкой высококачественного изделия DEWALT и выражаем признательность за Ваш выбор.
2. При покупке изделия требуйте проверки его комплектности и исправности в Вашем присутствии, инструкцию по эксплуатации и заполненный Гарантийный талон на русском языке. В гарантийном талоне должны быть внесены: модель, дата продажи, серийный номер, дата производства инструмента; название, печать и подпись торговой организации. При отсутствии у Вас правильно заполненного Гарантийного талона, а также несоответствия указанных в нем данных, мы будем вынуждены отклонить Ваши претензии по качеству данного изделия.
3. Во избежание недоразумений, убедительно просим Вас перед началом работы с изделием внимательно ознакомиться с инструкцией по его эксплуатации. Правовой основой настоящих гарантийных условий является действующее Законодательство. Гарантийный срок на данное изделие составляет 36 месяцев и исчисляется со дня продажи. В случае устранения недостатков изделия, гарантийный срок продлевается на период его нахождения в ремонте. Срок службы изделия составляет 5 лет со дня продажи.
4. В случае возникновения каких-либо проблем в процессе эксплуатации изделия рекомендуем Вам обращаться только к уполномоченным сервисным центрам DEWALT, адреса и телефоны которых Вы сможете найти на сайте [www.2helpU.com](http://www.2helpU.com) или узнать в магазине. Наши сервисные станции - это не только квалифицированный ремонт, но и широкий ассортимент запчастей и принадлежностей.
5. Производитель рекомендует проводить периодическую проверку и техническое обслуживание изделия в уполномоченных сервисных центрах.
6. Наши гарантийные обязательства распространяются только на неисправности, выявленные в течение гарантийного срока и вызванные дефектами производства и / или материалов.
7. Гарантийные условия не распространяются на неисправности изделия, возникшие в результате:
  - 7.1. Несоблюдения пользователем предписаний инструкции по эксплуатации изделия, применения изделия не по назначению, неправильном хранении, использования принадлежностей, расходных материалов и запчастей, не предусмотренных производителем.
  - 7.2. Механического повреждения (сколы, трещины и разрушения) внутренних и внешних деталей изделия, основных и вспомогательных рукояток, сетевого электрического кабеля, вызванного внешним ударным или любым иным воздействием.
  - 7.3. Попадания в вентиляционные отверстия и проникновение внутрь изделия посторонних предметов, материалов или веществ, не являющихся отходами, сопровождающими применение изделия по назначению, такими как: стружка, опилки, песок, и пр.
  - 7.4. Воздействий на изделие неблагоприятных атмосферных и иных внешних факторов, таких как: дождь, снег, повышенная влажность, нагрев, агрессивные среды, несоответствие параметров питающей электросети, указанных на инструменте.
  - 7.5. Стихийного бедствия. Повреждение или утрата изделия, связанное с непредвиденными бедствиями, стихийными явлениями, в том числе вследствие действия непреодолимой силы (пожар, молния, потоп и другие природные явления), а также вследствие перепадов напряжения в электросети и других причин, которые находятся вне контроля производителя.
8. Гарантийные условия не распространяются:
  - 8.1. На инструменты, подвергавшиеся вскрытию, ремонту или модификации вне уполномоченного сервисного центра.
  - 8.2. На детали и узлы, имеющие следы естественного износа, такие как: приводные ремни и колеса, угольные щетки, смазка, подшипники, зубчатое зацепление редукторов, резиновые уплотнения, сальники, направляющие ролики, муфты сцепления, бойки, толкатели, стволы, и т.п.
  - 8.3. На сменные и расходные части: цанги, зажимные гайки и фланцы, фильтры, ножи, шлифовальные подошвы, цепи, звездочки, пильные шины, защитные кожухи, пилки, абразивы, пильные и абразивные диски, фрезы, сверла, буры и т.п.
  - 8.4. На неисправности, возникшие в результате перегрузки инструмента (как механической, так и электрической), повлекшей выход из строя одновременно двух и более деталей и узлов, таких как ротора и статора, обеих обмоток статора, ведомой и ведущей шестерни редуктора или других узлов и деталей. К безусловным признакам перегрузки изделия относятся, помимо прочего: появление цветов побежалости, деформация или оплавление деталей и узлов изделия, потемнение или обугливание изоляции проводов электродвигателя под воздействием высокой температуры.

Товар получен в исправном состоянии, без видимых повреждений, в полной комплектации, проверен в моем присутствии, претензий по качеству товара не имею. С условиями гарантийного обслуживания ознакомлен и согласен.

Ф. И. О. и подпись покупателя \_\_\_\_\_

**Уважаемые клиенты, наша сеть авторизованных сервисных центров постоянно расширяется. Актуальную информацию об обслуживании в интересующем вас городе вы можете узнать на сайте**

**[www.2helpU.com](http://www.2helpU.com)**



Информация об инструменте

Наименование инструмента	
Модель	
Наименование продавца	
Дата продажи	

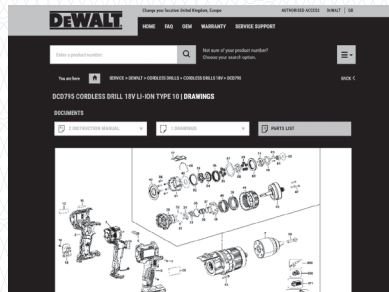
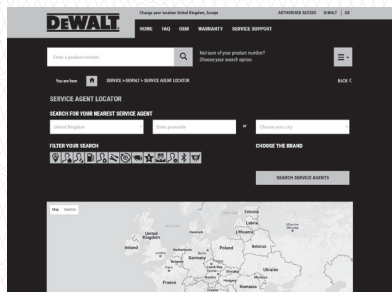
М.п.  
Продавца

Серийный номер / Дата производства

Инструмент	
Зарядное устройство	
Аккумулятор 1	
Аккумулятор 2	

На сайте [www.2helpU.com](http://www.2helpU.com) доступны следующие функции:

- Список авторизованных сервисных центров
- Удобный поиск ближайшего сервисного центра
- Руководство по эксплуатации
- Технические характеристики
- Список деталей и запасных частей
- Схема сборки инструмента



Также данную информацию вы можете получить, позвонив по телефону:  
**8(800) 1000 876**

ОТМЕТКА О ПРОВЕДЕНИИ СЕРВИСНОГО ОБСЛУЖИВАНИЯ

№1	№2	№3	№4
№ заказа	№ заказа	№ заказа	№ заказа
Дата поступления	Дата поступления	Дата поступления	Дата поступления
Дата ремонта	Дата ремонта	Дата ремонта	Дата ремонта
Печать и подпись сервисного центра	Печать и подпись сервисного центра	Печать и подпись сервисного центра	Печать и подпись сервисного центра

## ВІДРІЗНИЙ ІНСТРУМЕНТ

## DCS691

## Вітаємо вас!

Ви обрали інструмент виробництва компанії DEWALT. Ретельна розробка продукції, багаторічний досвід фірми у виробництві інструментів, різні вдосконалення, все це зробило інструменти DEWALT одними із найнадійніших помічників для тих, хто використовує електричні інструменти у своїй професії.

## Технічні дані

		DCS691
Напруга	$V_{\text{пост. струму}}$	54
Тип		1
Тип акумулятора		Літій-іонний
Діаметр диска	мм	230
Отвір диска	мм	22,2
Швидкість без навантаження/ номінальна швидкість	об/хв.-1	6600
Товщина периметра диска (макс.)		
Метал	мм	3,6
Абразивний	мм	3,6
Розмір нарізі		M8
Швидкорознімні з'єднання для підведення води	мм	12,5
Передавач Wireless Tool Control		
Діапазон частот	МГц	433
Макс. потужність (EIRP)	мВт	0,03
Маса (без акумулятора)	кг	5,7

Значення рівня шуму та вібрації під навантаженням (векторна сума трьох векторів) відповідно до стандарту EN60745-2-22:

$L_{PA}$ (рівень тиску звукового випромінювання)	дБ(A)	105
$L_{WA}$ (рівень звукового тиску)	дБ(A)	116
K (похибка для даного рівня звукового тиску)	дБ(A)	3,0
Значення вібрації $ah =$	$m/c^2$	5,0
Похибка K =	$m/c^2$	1,5

Значення вібрації та/або шуму, наведене в цьому документі, було виміряне згідно зі стандартизованим тестом, викладеним в EN60745 та може використовуватись для порівняння інструментів. Це значення вібрації можна також використовувати для попередньої оцінки впливу вібрації.

**⚠ ПОПЕРЕДЖЕННЯ:** Заявлене значення вібрації та/або шуму відповідає вимогам цільового використання інструмента. Однак якщо інструмент використовується для виконання інших завдань, або з іншими витратними матеріалами/насадками, або не обслуговується належним чином, значення вібрації та/або шуму може відрізнятись. Це може

значно збільшити рівень впливу протягом усього періоду роботи.

Оцінка рівня впливу вібрації та/або шуму має враховувати час, протягом якого інструмент є вимкненим, а також час, протягом якого він є ввімкненим, але не використовується. Це може значно зменшити рівень впливу протягом усього періоду роботи.

Визначення додаткових заходів безпеки для захисту оператора від впливу вібрації та/або шуму: технічне обслуговування інструмента та приладдя, утримання рук у теплі (має значення для вібрації), організація режиму роботи.

## Декларація про відповідність ЄС

Директива про машинне обладнання і Директива про машинне обладнання



## Відрізний інструмент DCS691

DEWALT заявляє, що описані в розділі «Технічні дані» пристрої відповідають стандартам: 2006/42/EC, EN60745-1:2009+A11:2010, EN60745-2-22:2011+A11:2013.

Ці продукти також відповідають вимогам Директив 2014/30/EU, 2014/53/EU та 2011/65/EU. Для отримання додаткової інформації зверніться до компанії DEWALT за вказаною нижче адресою або прочитайте інформацію на зворотній стороні цього посібника.

Нижчепідписаний несе відповідальність за упорядкування файлу технічних характеристик та робить цю заяву від імені компанії DEWALT.

Маркус Ромпель  
Технічний директор  
DEWALT, Richard-Klinger-Straße 11,  
65510, Ідштайн, Німеччина  
15.03.2022



**ПОПЕРЕДЖЕННЯ:** Уважно прочитайте керівництво з експлуатації для зменшення ризику отримання травм.


## Позначення: інструкції з техніки безпеки

Умовні позначення, наведені нижче, описують рівень важливості кожної попереджувальної вказівки. Прочитайте керівництво з експлуатації та зверніть увагу на символи, наведені нижче.


Батареї				Зарядні пристрої/час зарядки (у хвиликах)**								
Кат. №	V <sub>DC</sub>	Ah	Маса (kg)	DCB104	DCB107	DCB112/ DCB1102	DCB113	DCB115/ DCB1104	DCB116	DCB117	DCB118	DCB132
DCB546	18/54	6,0/2,0	1,08	60	270	170	140	90	80	40	60	90
DCB547/G	18/54	9,0/3,0	1,46	75*	420	270	220	135*	110*	60	75*	135*
DCB548	18/54	12,0/4,0	1,46	120	540	350	300	180	150	80	120	180
DCB549	18/54	15,0/5,0	2,12	125	730	450	380	230	170	90	125	230

\*Код дати 201811475В або пізніше

\*\*Таблиця часу заряджання батареї надається лише для ознайомлення; час заряджання залежить від температури та стану акумуляторів.

 **НЕБЕЗПЕЧНО:** Вказує на безпосередню загрозу, яка, якщо її не уникнути, призведе до смерті або серйозної травми.

 **ПОПЕРЕДЖЕННЯ:** Вказує на потенційну загрозу, ігнорування якої може призвести до смерті або серйозної травми.


 **УВАГА:** Вказує на потенційну загрозу, ігнорування якої може призвести до травми легкої або середньої тяжкості.

**ПРИМІТКА:** Вказує на ситуацію, не пов'язану з особою травмою, ігнорування цієї ситуації може призвести до пошкодження майна.

 Вказує на ризик ураження електричним струмом.

 Вказує на ризик виникнення пожежі.

## ЗАГАЛЬНІ ПРАВИЛА БЕЗПЕКИ ПРИ ЕКСПЛУАТАЦІЇ ЕЛЕКТРИЧНОГО ІНСТРУМЕНТА

 **ПОПЕРЕДЖЕННЯ:** Ознайомтеся з усіма попередженнями, інструкціями з техніки безпеки, зображеннями та специфікаціями, які поставляються з даним електричним інструментом. Невиконання нижченаведених інструкцій може призвести до ураження електричним струмом, пожежі та/або серйозних тілесних ушкоджень.

### ЗБЕРІГАЙТЕ ВСІ ПОПЕРЕДЖЕННЯ ТА ІНСТРУКЦІЇ ДЛЯ ПОДАЛЬШОГО ВИКОРИСТАННЯ

Термін «електричний інструмент» в усіх попередженнях стосується використовуваних вами інструментів, що живляться від мережі енергопостачання (з електричним кабелем) або від акумуляторів (без кабелю).

#### 1) Безпека робочої зони

- Робоча зона завжди має бути чистою та добре освітленою. Захаращена або темна робоча зона призводить до нещасних випадків.
- Не використовуйте електричні інструменти у вибухонебезпечній атмосфері, наприклад поруч із вогненебезпечними рідинами, газами та пилом. Електричні інструменти створюють іскри, що можуть запалити пил або пару.

- Тримайте дітей та сторонніх подалі від част використання інструмента. Відвернення уваги може призвести до втрати контролю.

#### 2) Електрична безпека

- Вилка мережевого кабелю електричного інструмента повинна відповідати розетці. Ніколи жодним чином не змінюйте вилку. Не використовуйте адаптери з замкнутими на землю (заземленими) електричними інструментами. Немодифіковані вилки та розетки, що підходять до них, зменшують ризик ураження електричним струмом.
- Уникайте контакту тіла з заземленими поверхнями, такими як труби, радіатори, плити та холодильники. Якщо ваше тіло заземлене, збільшується ризик ураження електричним струмом.
- Не залишайте електричні інструменти під дощем або в умовах підвищеної вологості. Вода, що потрапляє в електричний інструмент, підвищує ризик ураження електричним струмом.
- Не використовуйте кабелів живлення не за призначенням. Ніколи не переносьте, не тягніть та не відключайте електричний інструмент від розетки живлення за допомогою шнура. Тримайте шнур подалі від високих температур, мастила, гострих предметів та рухомих деталей. Пошкоджені або перекручені шнури підвищують ризик ураження електричним струмом.
- При використанні електричного інструмента на вулиці, використовуйте подовжувальний шнур, що підходить для використання на вулиці. Використання шнура, що призначений для використання поза приміщенням, знижує ризик ураження електричним струмом.
- Якщо неможливо уникнути використання електричного інструмента в умовах підвищеної вологості, використовуйте живлення, захищене пристроєм захисного відключення (ПЗВ). Використання ПЗВ знижує ризик ураження електричним струмом.

#### 3) Особиста безпека

- Будьте уважні, дивіться, що ви робите, та будьте розсудливі, працюючи з електричним інструментом. Не використовуйте електричний інструмент, коли ви втомлені

**або знаходиться під впливом наркотичних речовин, алкоголю або ліків.** Втрата уваги під час роботи з електричним інструментом може призвести до серйозних травм.

- b) **Використовуйте особисті засоби захисту. Завжди використовуйте засоби захисту очей.** Засоби захисту, такі як протипилова маска, неслизькі безпечні черевки, захисний шолом та засоби захисту слухового апарату при використанні для відповідних умов зменшують імовірність особистих травм.
- c) **Уникайте випадкового запуску. Переконайтесь в тому, що вимикач знаходиться в положенні Вимк., перш ніж підключати інструмент до джерела живлення та/або акумулятора, переміщувати або переносити.** Може статися нещасний випадок, коли ви переносите інструмент, тримаючи палець на вимикачі, або підключаєте електроінструменти до мережі живлення, коли увімкнений вимикач.
- d) **Зніміть усі ключі для регулювання або гайкові ключі, перш ніж вмикати електричний інструмент.** Гайковий ключ, що залишився прикріпленим до якоїсь деталі електричного пристрою, що обертається, може призвести до травм.
- e) **Не прикладайте надмірного зусилля. Завжди утримуйте правильну постановку ніг і рівновагу.** Це дає вам змогу краще контролювати інструмент в неочікуваних ситуаціях.
- f) **Одягайтеся відповідним чином. Не вдягайте вільний одяг або прикраси. Тримайте ваше волосся та одяг подалі від рухомих деталей.** Вільний одяг, прикраси або довге волосся можуть зачепитися за рухомі деталі.
- g) **Якщо передбачені пристрої для підключення до засобів видалення та збирання пилу, переконайтесь, що вони правильно підключені та використовуються.** Використання таких пристроїв зменшує ризик виникнення небезпечних ситуацій, що пов'язані з потраплянням пилу.
- h) **Навіть якщо ви добре знаєте інструмент та часто його використовуєте, не розслабляйтесь та не забувайте про принципи техніки безпеки.** Необережні дії можуть за долю секунди призвести до важких тілесних ушкоджень.

#### 4) Використання електричного інструмента та догляд за ним

- a) **Не прикладайте надмірних зусиль під час роботи з інструментом. Використовуйте електричний інструмент, який відповідає завданню, що виконується.** Правильно обраний інструмент виконає завдання краще та безпечніше за умов виконання робіт, для яких він був розроблений.
- b) **Не використовуйте інструмент, якщо його неможливо ввімкнути та вимкнути за**

**допомогою вимикача.** Будь-який електричний інструмент, яким неможливо керувати за допомогою вимикача, є небезпечним і має бути відремонтований.

- c) **Від'єднайте вилку від джерела живлення та/або вийміть акумуляторну батарею, якщо вона знімається, перед будь-якими налаштуваннями електроінструменту, зміни аксесуарів або зберіганням електроінструментів.** Ці профілактичні заходи зменшують ризик випадкового запуску електричного інструмента.
- d) **Зберігайте вимкнені електричні інструменти в недоступному для дітей місці та не дозволяйте особам, що не знайомі з електричним інструментом або цими інструкціями, використовувати електричний інструмент.** Електричні інструменти є небезпечними, якщо вони використовуються некваліфікованими користувачами.
- e) **Технічне обслуговування електричних інструментів та приладдя. Перевіряйте неспіввідповідність, заїдання рухомих деталей, наявність пошкоджених частин та інших факторів, які можуть впливати на роботу електричного інструменту. Якщо є пошкодження, відремонтуйте електричний інструмент перед використанням.** Нещасні випадки часто є результатом того, що інструмент не пройшов відповідного технічного обслуговування.
- f) **Різальні інструменти мають бути гострими та чистими.** Правильно доглянуті різальні інструменти з гострими різальними кромками мають меншу імовірність заїдання, та ними легше керувати.
- g) **Використовуйте електричний інструмент, додаткові інструменти та деталі інструменту тощо у відповідності до цих інструкцій та відповідно до даного типу електричних інструментів, зважаючи на умови використання та роботу, яка має бути виконана.** Використання електричних інструментів не за призначенням може призвести до виникнення небезпечних ситуацій.
- h) **Всі ручки та поверхні для тримання інструмента мають бути сухими, без залишків мастила.** Слизькі ручки та поверхні для тримання не дозволяють безпечно працювати та контролювати інструмент у неочікуваних ситуаціях.

#### 5) Використання та догляд за інструментом, що живиться від акумулятора

- a) **Заряджайте інструмент лише за допомогою зарядного пристрою, вказаного виробником.** Зарядний пристрій, що підходить до одного типу акумуляторів, може призвести до пожежі в разі використання з іншим акумулятором.
- b) **Використовуйте електричні інструменти лише з призначеними для них акумуляторами.**

Використання інших акумуляторів може призвести до травм або пожежі.

- c) **Коли акумулятори не використовуються, зберігайте їх подалі від металевих предметів, таких як скріпки, монети, ключі, цвяхи, гвинти або інші невеликі предмети, що можуть призвести до замикання двох контактів.** Коротке замикання клем акумулятора може призвести до вибуху або пожежі.

- d) **За невідповідних умов використання рідина може витікати з акумулятора; уникайте контакту з цією рідиною. Якщо контакт таки стався, промийте забруднену ділянку водою. Якщо рідина потрапила в очі, промийте водою та зверніться до лікаря.** Рідина, що витікає з акумулятора, може призвести до подразнень та опіків.

- e) **Не використовуйте пошкоджений або модифікований акумулятор або інструмент.** Пошкоджені або модифіковані акумулятори можуть поводити себе непередбачуваним чином, призводячи до пожежі, вибуху або тілесним ушкодженням.

- f) **Не піддавайте акумулятор та інструмент дії вогню та надмірних температур.** Дія вогню або температури вище 130 °C може спричинити вибух.

- g) **Виконуйте всі інструкції щодо зарядки; заряджайте акумулятор та інструмент тільки в межах температурного діапазону, вказаного в інструкціях.** Неналежна зарядка або зарядка поза межами вказаного температурного діапазону може пошкодити акумулятор та підвищити ризик пожежі.

## 6) Обслуговування

- a) **Надавайте ваш електричний інструмент для обслуговування кваліфікованим спеціалістом з ремонту та використовуйте тільки ідентичні заміні деталі.** Це забезпечить безпеку електричного пристрою.

- b) **Ніколи не обслуговуйте пошкоджені акумулятори самостійно.** Обслуговування акумуляторів мають виконувати представники виробника або працівники офіційного сервісного центру.

## Додаткові інструкції з техніки безпеки для відрізних машин

- a) **Захисний кожух, що надається в комплекті з інструментом, необхідно надійно прикріпити до електричного інструмента та розмістити для максимальної безпеки таким чином, щоб найменша частина диска була відкрита в сторону оператора. Відступіть на певну відстань та попросіть сторонніх відійти від площини обертання диска.** Захисний кожух захищає оператора від уламків диска та випадкового контакту з диском.

- b) **Для цього електричного інструмента використовуйте виключно армовані абразивні диски на клейовій основі або алмазні полотна.** Той факт, що приладдя можна під'єднати до електричного інструмента, не гарантує його безпечну роботу.
- c) **Номінальна швидкість приладдя повинна щонайменше дорівнювати максимальній швидкості, вказаній на електричному інструменті.** Приладдя, що працює з більшою за номінальну швидкістю, може зламатися та розлетітися.
- d) **Диски повинні використовуватись лише для рекомендованих видів діяльності.** Наприклад, не використовуйте бокову сторону різального диска для шліфування. Абразивні різальні диски призначені для шліфування периферійною ділянкою, причому бокові сили, застосовані до цих дисків, можуть їх розхитати.
- e) **Завжди використовуйте неушкоджені фланці диска відповідного діаметра для обраного диска.** Відповідно підібрані фланці диска підтримують диск, знижуючи ймовірність його поломки.
- f) **Не використовуйте зношені армовані диски більших електричних інструментів.** Диски, призначені для більших електричних інструментів, не підходять для менших інструментів, що працюють із більшою швидкістю, і можуть розірватися.
- g) **Зовнішній діаметр і товщина приладдя повинні відповідати номінальній потужності вашого електричного інструмента.** Приладдя неправильного розміру неможливо належним чином захистити або контролювати.
- h) **Розмір оправок дисків та фланців повинен точно відповідати шпинделю електричного інструмента.** Диски та фланці з отворами в оправці, що не відповідають елементам кріплення електричного інструмента, можуть втрачати баланс, надмірно вібрувати та призводити до втрати контролю.
- i) **Не використовуйте пошкоджені диски.** Перед кожним використанням перевіряйте диски на наявність пошкоджень та тріщин. Якщо електричний інструмент або диск падали, необхідно оглянути їх на пошкодження та встановити неушкоджений диск. Після огляду та встановлення диска відступіть на певну відстань та попросіть сторонніх відійти від площини обертання диска. Запустіть електричний інструмент на максимальній швидкості без навантаження на одну хвилину. Пошкоджені диски зазвичай ламаються під час цього запуску.

- j) **Використовуйте особисті засоби безпеки. В залежності від способу застосування використовуйте захисний щиток, захисні окуляри або захисну маску. За необхідності використовуйте протипилову маску, засоби захисту органів слуху, рукавиці або робочий фартух, що захистять вас від маленьких фрагментів абразиву або заготовки. Засоби захисту очей захистять вас від летючих уламків, що можуть утворитися під час виконання певних видів робіт. Протипилова маска або респіратор повинні фільтрувати частинки, що утворюються під час роботи.** Тривалий вплив шуму з високою інтенсивністю може призвести до втрати слуху.
- k) **Сторонні особи мають знаходитися на безпечній відстані від робочої зони. Всі особи, що входять до робочої зони, повинні використовувати особисті засоби безпеки.** Фрагменти заготовки або уламки диска можуть відлетіти та травмувати когось навіть за межами безпосередньої зони роботи.
- l) **Тримайте електричний інструмент виключно за ізольовану поверхню під час виконання операцій, коли різальне приладдя може контактувати зі схованою електропроводкою.** Контакт різального приладдя з електропроводкою під напругою може призвести до появи напруги в інструменті та ураження оператора електричним струмом.
- m) **Ніколи не кладіть інструмент до повної зупинки всього приладдя.** Диск, що обертається, може захопити поверхню та вирвати електричний інструмент з рук.
- n) **Не тримайте увімкнений електричний інструмент біля власного тіла.** Випадковий контакт з приладдям, що обертається, може зачепити одяг, притягнувши приладдя до тіла.
- o) **Регулярно очищуйте вентиляційні отвори електричного інструмента.** Вентилятор двигуна буде втягувати пил всередину корпусу, надмірна кількість металевих частинок може призвести до ризику ураження електричним струмом.
- p) **Не використовуйте електричний інструмент біля легкозаймистих матеріалів.** Іскри можуть спричинити спалах цих матеріалів.
- q) **Не використовуйте приладдя, що вимагає рідкого холодоагенту.** Використання води чи інших рідких холодоагентів може призвести до ураження електричним струмом, аж до летальних наслідків.

обертання диска, що, в свою чергу, викликає відхилення неконтрольованого електричного інструмента в напрямку протилежному напрямку обертання диска в точці заклинювання.

Наприклад, якщо абразивний диск затиснений заготовкою, його крайка, що потрапила у точку затиску, може врізатися у поверхню матеріалу і призвести до віддачі диска. При цьому диск може відкопити від оператора або на оператора, в залежності від напрямку руху диска в точці затиску. Крім того, абразивні диски можуть зламатися за таких умов.

Віддача – це результат неправильного використання електричного інструмента та/або неналежного порядку чи умов експлуатації. Її можна уникнути, дотримуючись належних запобіжних заходів, наведених нижче.

- a) **Міцно тримайте електричний інструмент та оберіть положення тіла і рук, яке дозволить протистояти віддачі. Завжди використовуйте додаткову ручку, якщо її передбачено, для максимального контролю віддачі або реактивного крутного моменту під час запуску.** Оператор може контролювати реактивний крутний момент або силу віддачі, якщо вжиті належні запобіжні заходи.
- b) **Ніколи не тримайте руки біля приладдя, що обертається.** Можлива віддача приладдя на руки.
- c) **Не розташовуйте тіло на одній лінії з диском, що обертається.** Віддача призведе до руху інструмента в напрямку протилежному руху диска у точці затиснення.
- d) **Будьте особливо обережні під час обробки кутів, гострих крайок тощо. Уникайте відстрибування та затиснення приладдя.** Кути, гострі крайки або відстрибування можуть спричинити затиснення приладдя, що обертається, та призвести до втрати контролю або віддачі.
- e) **Не використовуйте пильний ланцюг, полотно для різьблення по дереву, сегментний алмазний диск з периферійним зазором більше 10 мм або пильне полотно з зубцями.** Такі пильні полотна призводять до частих віддач та втрати контролю.
- f) **Не «затискуйте» диск та не застосовуйте надмірний тиск на інструмент. Не намагайтесь робити розрізи надмірної глибини.** Надмірний тиск на диск збільшує навантаження й вірогідність заїдання або заклинювання диска в розрізі та можливість віддачі або поломки диска.
- g) **У разі заклинювання диска або переривання різання з будь-якої причини, вимкніть електричний інструмент та не рухайте його до повної зупинки диска. До повної зупинки диска не намагайтесь втягнути диск із розрізу. Це може призвести до віддачі.** Встановіть причину заклинювання диска та прийміть відповідні заходи для її усунення.

## Віддача та відповідні попередження

Віддача – це раптова реакція на защемлення або затиснення диска, що обертається. Защемлення або затиснення викликає різке уповільнення швидкості

- h) **Не поновлюйте різання в заготовці. Дайте диску досягти повної швидкості та обережно виставте його в розпочатий розріз.** Поновлення роботи електричного інструмента в заготовці може спричинити заклинювання диска, відскакування або віддачу інструмента.
- i) **Використовуйте опори для панелей або великих заготовок, щоб мінімізувати ризик защемлення диска та віддачі. Великі заготовки мають властивість прогинатися під власною вагою.** Опори необхідно розташувати під заготовкою біля лінії розрізу та біля кінців заготовки з обох боків від диску.
- j) **Будьте особливо обережні під час виконання «врізання» в стіни або інші сліпі зони.** Диск, що виступає, може розрізати газову або водяну трубу, електричні кабелі або інші предмети та спричинити віддачу.

- **Під час роботи можуть утворюватися пил, кристалічні речовини, пара та дим.** Завжди використовуйте протипилову маску або респіратор. Небезпечно для здоров'я!

## Залишкові ризики

Дотримання всіх правил техніки безпеки та застосування пристроїв безпеки не гарантує уникнення певних залишкових ризиків. До такого переліку належать:

- *Порушення слуху.*
- *Ризик тілесних ушкоджень через частинки, які розлітаються.*
- *Ризик опіків через нагрівання приладдя під час роботи.*
- *Ризик тілесних ушкоджень через занадто тривале використання.*
- *Небезпека для здоров'я, спричинена вдиханням пилу, що утворюється під час роботи з бетоном та/або кладкою.*

## Додаткові інструкції з техніки безпеки

- **Не використовуйте для різання верхню чверть диска.** Віддача може призвести до серйозних травм.
- **Не рекомендується використання приладдя, не вказаного у цьому посібнику; це може бути небезпечним.** Використання підсилювачів потужності, що можуть призвести до перевищення номінальної швидкості, вважається неправильним використанням.
- **Не використовуйте полотна для дискових пилок з цим інструментом.** Це може призвести до серйозних травм.
- **Уникайте відстрибування диска та грубого поводження з ним.** Якщо це сталося, зупиніть інструмент і перевірте диск на наявність тріщин або задирків.
- **Намажайтеся спрямовувати іскри подалі від оператора, сторонніх осіб або легкозаймистих матеріалів.** Під час використання шліфувальної або полірувальної машини можуть вишкати іскри. Іскри можуть спричинити опіки або пожежу.
- **Завжди тримайте інструмент за передню ручку. Надійно затягуйте ручку.** Під час роботи завжди тримайте інструмент за передню ручку для забезпечення повного контролю над інструментом.
- **Ніколи не ріжте в місцях, де можуть знаходитись електричні кабелі або труби.** Це може призвести до серйозних травм.
- **Регулярно очищуйте інструмент, особливо після інтенсивного використання.** Пил та сміття, що містять частинки металу, часто накопичуються на внутрішніх поверхнях інструмента і можуть спричинити ураження електричним струмом.
- **Не використовуйте інструмент упродовж тривалого часу. Вібрація, спричинена інструментом, може нанести шкоду рукам.** Використовуйте рукавиці для додаткового захисту та обмежуйте вплив вібрації, роблячи часті перерви.

## Зарядні пристрої

DEWALT не вимагають налаштувань і розроблені для максимально простого використання.

### Електрична безпека

Електричний двигун розроблений для роботи лише з одним значенням напруги. Завжди перевіряйте, що напруга акумулятора відповідає напрузі, що вказана в технічних даних. Також переконайтесь, що напруга зарядного пристрою відповідає напрузі мережі живлення.



*Ваш зарядний пристрій DEWALT має подвійну ізоляцію відповідно до EN60335; тому заземлення не є необхідним.*

Якщо кабель живлення пошкоджений, він повинен бути замінений лише авторизованою DEWALT сервісною організацією.

### Використання електричного подовжувача

Використовуйте подовжувальний шнур лише за абсолютної необхідності. Використовуйте лише рекомендований подовжувальний шнур, що відповідає споживаній потужності вашого зарядного пристрою (див. **Технічні дані**). Мінімальний розмір перерізу провідника становить 1 мм<sup>2</sup>; максимальна довжина — 30 м.

При використанні кабельного барабану завжди витягуйте весь кабель.

### Важливі інструкції з техніки безпеки для всіх зарядних пристроїв

**ЗБЕРЕГАЙТЕ ЦІ ІНСТРУКЦІ:** У цьому керівництві містяться важливі інструкції з техніки безпеки та використання для сумісних зарядних пристроїв (див. «**Технічні дані**»).

- *Перед використанням зарядного пристрою прочитайте всі інструкції та попередження на зарядному пристрої, акумуляторах та продукті, для якого ці акумулятори використовуються.*



**ПОПЕРЕДЖЕННЯ:** Небезпека ураження електричним струмом. Не допускайте потрапляння рідини в

зарядний пристрій. Це може призвести до ураження електричним струмом.



**ПОПЕРЕДЖЕННЯ:** Ми рекомендуємо використовувати пристрій з керуванням диференційним струмом з номінальним значенням диференційного струму 30 мА або менше.



**УВАГА:** Небезпека опіку. Для зниження ризику виникнення травм заряджайте лише акумулятори DEWALT. Інші типи акумуляторів можуть вибухнути, спричинивши тілесні ушкодження та пошкодження майна.



**УВАГА:** Уважно слідкуйте за тим, щоб діти не гралися з пристроєм.

**ПРИМІТКА:** За певних умов, коли зарядний пристрій підключений до мережі живлення, незахищені контакти всередині зарядного пристрою можуть замкнутися будь-яким стороннім предметом. Сторонні предмети, що проводять струм, наприклад металева стружка, алюмінієва фольга або будь-які металеві деталі, необхідно зберігати подалі від зарядного пристрою. Завжди відключайте зарядний пристрій від розетки, коли батарея не встановлена в зарядний пристрій. Відключіть зарядний пристрій від мережі живлення перед його очищенням

- **НЕ намагайтесь заряджати акумулятор зарядними пристроями, що не вказані в цьому керівництві.** Зарядний пристрій та акумулятори даної моделі розроблені для сумісної експлуатації.
- **Ці зарядні пристрої не призначені ні для чого іншого, крім зарядки акумуляторів DEWALT.** Використання з іншими акумуляторами може призвести до виникнення пожежі або ураження електричним струмом.
- **Не піддавайте зарядний пристрій впливу дощу або снігу.**
- **При відключенні зарядного пристрою від мережі живлення тягніть за вилку, а не за кабель.** Це зменшить ризик пошкодження вилки та кабелю.
- **Переконайтесь, що кабель розміщений так, щоб на нього не наступали, не ходили по ньому та не піддавали його іншим фізичним впливам.**
- **Не використовуйте подовжувальний шнур окрім випадків, коли це абсолютно необхідно.** Використання невідповідних подовжувальних шнурів може призвести до пожежі або ураження електричним струмом.
- **Не кладіть будь-які предмети на зарядний пристрій та не залишайте зарядний пристрій на м'якій поверхні, що може заблокувати вентиляційні отвори та призвести до надмірного нагрівання.** Розташуйте зарядний пристрій подалі від джерел тепла. Зарядний пристрій вентилюється крізь отвори у верхній та нижній частинах корпусу.

- **Не використовуйте зарядний пристрій із пошкодженом кабелем або вилкою** — їх потрібно негайно замінити.
- **Не використовуйте зарядний пристрій, якщо той отримав різкий удар, впав або був пошкоджений іншим чином.** Віднесіть його до авторизованого сервісного центру.
- **Якщо зарядний пристрій вимагає технічного обслуговування або ремонту, не розбирайте його самотужки, а віднесіть до авторизованого сервісного центру.** Невідповідні способи використання можуть призвести до виникнення пожежі або ураження електричним струмом.
- Якщо кабель живлення пошкоджено, для уникнення небезпеки його необхідно негайно замінити, звернувшись до виробника, спеціаліста сервісного центру або іншого кваліфікованого спеціаліста.
- **Відключайте зарядний пристрій від розетки перед його очищенням. Це дозволяє знизити ризик ураження електричним струмом.** Видалення акумулятора не знижує ризик.
- **НИКОЛИ не намагайтесь з'єднувати два зарядні пристрої.**
- **Цей зарядний пристрій розрахований на роботу зі стандартною напругою побутової електромережі 230 В. Не намагайтесь використовувати його з іншою напругою.** Це не стосується автомобільних зарядних пристроїв.







### Зарядка акумулятора (Рис. [Fig.] B)

1. Підключіть зарядний пристрій до відповідної розетки перед встановленням акумулятора.
2. Вставте акумулятор **24** у зарядний пристрій до упору. Червоний індикатор («зарядка») буде блимати, вказуючи на початок процесу зарядки.
3. Коли зарядку завершено, червоний індикатор горить, не блимаючи. Це означає, що акумулятор повністю заряджений та може використовуватися одразу або залишатися в зарядному пристрої. Щоб витягнути акумулятор із зарядного пристрою, натисніть кнопку деблокування **16** на акумуляторі.

**ПРИМІТКА:** щоб забезпечити максимальну продуктивність та тривалість роботи літій-іонного акумулятора, повністю зарядіть його перед першим використанням.

### Робота зарядного пристрою

Нижче описані індикатори стану зарядки акумулятора.

Індикатори зарядки	
	Заряджається 
	Повністю заряджений 
	Затримка через надмірно високу/низьку температуру акумулятора* 



\*Червоний індикатор буде продовжувати миготіти, а жовтий індикатор буде горіти під час виконання цього завдання.

Коли акумулятор досягне прийнятної температури, жовтий індикатор згасне, а зарядний пристрій відновить процес зарядки.

Сумісний зарядний пристрій не буде заряджати несправний акумулятор. Зарядний пристрій розпізнає несправну батарею та не ввімкне світловий індикатор.

**ПРИМІТКА:** Це також може свідчити про проблему з зарядним пристроєм.

Якщо виявлено проблему із зарядним пристроєм, віднесіть зарядний пристрій та акумулятор для перевірки в авторизований сервісний центр.

### Затримка через надмірно високу/низьку температуру акумулятора

Якщо зарядний пристрій визначає, що акумулятор є надмірно гарячим або холодним, він автоматично вмикає режим температурної затримки, припиняючи процес зарядки, доки акумулятор не досягне відповідної температури. Після досягнення прийнятної температури зарядний пристрій автоматично перемикається в режим зарядки акумулятора. Ця функція забезпечує максимальний термін служби акумулятора.

Холодний акумулятор буде заряджатися повільніше порівняно з теплим акумулятором. Такий акумулятор буде заряджатися повільніше протягом всього циклу зарядки та не повернеться до максимального значення зарядки, навіть якщо нагріється.

Зарядний пристрій DCB118 оснащений внутрішнім вентилятором, призначеним для охолодження акумулятора. Вентилятор автоматично вмикається, коли акумулятор потребує охолодження. Ніколи не використовуйте зарядний пристрій, якщо вентилятор працює неналежним чином або вентиляційні отвори заблоковані. Уникайте потрапляння сторонніх предметів усередину зарядного пристрою.

### Електронна система захисту

Інструменти з літій-іонними акумуляторами XR розроблені з використанням електронної системи захисту, яка захищає акумулятор від перевантаження, перегрівання або глибокої розрядки.

Пристрій автоматично вимикається, якщо спрацює електронна система захисту. Якщо це сталося, встановіть літій-іонний акумулятор в зарядний пристрій до повної зарядки.

### Кріплення на стіну

Ці зарядні пристрої можна закріпити на стіні, чи поставити на стіл або іншу робочу поверхню. При кріпленні на стіну розташуйте зарядний пристрій недалеко від електричної розетки, а також подалі від кутів та інших перешкод, що заважають повітряному потоку. Скористайтеся задньою частиною зарядного пристрою в якості шаблону для розташування кріпильних гвинтів на стіні. Надійно зафіксуйте зарядний пристрій за допомогою шурупів (потрібно придбати окремо) довжиною приблизно 25,4 мм з голівкою діаметром 7–9 мм, що закручуються в дерев'яну поверхню

до оптимальної глибини, щоб залишилося приблизно 5,5 мм. Вирівняйте отвори на задній поверхні зарядного пристрою з виступаючими шурупами, після чого повністю вставте шурупи в отвори.

### Інструкції з очищення зарядного пристрою



**ПОПЕРЕДЖЕННЯ:** *Небезпека ураження електричним струмом. Відключіть зарядний пристрій від розетки змінного струму перед його очищенням. Бруд та жир можна видалити з поверхні зарядного пристрою за допомогою ганчірки або м'якої неметалевої щітки. Не використовуйте воду та мийні розчини. Не дозволяйте рідині потрапляти всередину інструмента та ніколи не занурюйте деталі інструмента в рідину.*

### Акумулятор

#### Важливі інструкції з техніки безпеки для різних типів акумуляторів

При замовленні змінних акумуляторів не забудьте вказати номер за каталогом та напругу.

Новий акумулятор заряджений не повністю. Перед використанням акумулятора та зарядного пристрою прочитайте всі нижче наведені інструкції з техніки безпеки. Після цього прочитайте всі вказані пункти процедури зарядки.

#### ПРОЧИТАЙТЕ ВСІ ІНСТРУКЦІЇ

- **Не заряджайте та не використовуйте акумулятор у вибухонебезпечних умовах, наприклад в присутності легкозаймистих рідин, газів або пилу.** Під час встановлення або виїмання батареї з зарядного пристрою може спалахнути пил або пара.
- **На прикладіть зусилля, вставляючи акумулятор в зарядний пристрій. Жодним чином не модифікуйте акумулятор, аби встановити його в несумісний зарядний пристрій, адже акумулятор може розірватися та спричинити серйозні травми.**
- Використовуйте тільки зарядні пристрої DEWALT для зарядження акумуляторів.
- **НЕ занурюйте акумулятор у воду та інші рідини та не бризкайте на нього.**
- **Не зберігайте та не використовуйте інструмент та акумулятор у місцях, де температура може сягати або перевищувати 40 °C (104 °F) (наприклад, біля гаражів або металевих будівель влітку).**
- **Не спалюйте акумулятор, навіть якщо він сильно пошкоджений або повністю зношений.** Акумулятор може вибухнути у вогні. Коли літій-іонні акумулятори горять, утворюються токсичні випаровування та речовини.
- **Якщо вміст акумулятора потрапив на шкіру, негайно промийте це місце м'яким милом та водою.** Якщо рідина з акумулятора потрапила в очі, промийте відкрите око протягом 15 хвилин або доки подразнення не зникне. Якщо необхідно звернутися до

лікаря, акумуляторний електроліт складається з суміші рідких органічних вуглекислих солей та солей літію.

- **Вміст відкритого акумулятора може спричинити подразнення дихальних шляхів.** Видіть на свіже повітря. Якщо симптоми не зникнуть, зверніться до лікаря.



**ПОПЕРЕДЖЕННЯ:** Небезпека опіку. Рідина з акумулятора може спалахнути, якщо на неї потрапить іскра або полум'я.



**ПОПЕРЕДЖЕННЯ:** За жодних умов не намагайтесь відкрити акумулятор. За будь-якого пошкодження акумулятора не встановлюйте його у зарядній пристрій. Не бийте, не кидайте та не пошкоджуйте акумулятор. Не використовуйте акумулятор та зарядний пристрій, якщо ті отримали різкий удар, впади або були пошкоджені іншим чином (наприклад, були проколоті цвяхом, вдарені молотком, на них наступили). Це може призвести до ураження електричним струмом. Пошкоджені акумулятори необхідно повернути до сервісного центру ля переробки.



**ПОПЕРЕДЖЕННЯ:** Небезпека виникнення пожежі. Зберігайте та переносьте акумулятор так, щоб металеві предмети не торкалися його відкритих контактів. Наприклад, не кладіть акумулятор у фартух, кишені, ящики з інструментами, коробки з наборами приладдя, шухляди тощо, де можуть бути цвяхи, гвинти, ключі тощо.



**УВАГА:** Коли інструмент не використовується, залишайте його на боці на стабільній поверхні в такому місці, де через нього не можна перечепитися та впасти. Деякі інструменти з великими акумуляторами можуть стояти на батареї, але їх можна легко перекинати.

## Транспортування



**ПОПЕРЕДЖЕННЯ:** Небезпека виникнення пожежі. Під час перевезення акумуляторів може виникнути пожежа, якщо контакти акумулятора випадково ввійдуть в контакт з електропровідним матеріалом. Під час перевезення акумуляторів переконайтесь, що їхні контакти захищені та добре ізольовані від матеріалів, які можуть увійти з ними в контакт та викликати коротке замикання.

**ПРИМІТКА:** При перевезенні літій-іонних акумуляторів не можна здавати їх в багаж.

Акумулятори DEWALT відповідають всім нормам перевезення, описаним у галузевих та законодавчих положеннях, включно з рекомендаціями ООН про перевезення небезпечних вантажів, правилами перевезення небезпечних вантажів Міжнародної організації повітряного транспорту (IATA), міжнародними правилами перевезення небезпечних вантажів водним транспортом (IMDG) та Європейській угоді про міжнародне дорожнє перевезення небезпечних вантажів (ADR). Літій-іонні елементи живлення та акумулятори були перевірені відповідно до розділу

38.3 керівництва з тестів та критеріїв щодо перевезення небезпечних вантажів Рекомендацій ООН.

У більшості випадків перевезення акумуляторів DEWALT може бути класифіковано як перевезення небезпечних речовин, що повністю підпадають під клас 9. Загалом тільки вантажі, що містять літій-іонні акумулятори ємністю більше за 100 ват-годин (Вт-год.), вимагають транспортування відповідно до норм перевезення небезпечних речовин, що повністю підпадають під Клас 9. На всі літій-іонні акумулятори нанесено значення ват-годин. Крім того, через складності законодавчих норм компанія DEWALT не рекомендує транспортування окремо літій-іонних акумуляторів повітряним транспортом, незалежно від показника ват-годин. Перевезення інструментів з акумуляторами (у комплекті) можна виконувати повітряним транспортом, якщо значення ват-годин не перевищує 100 Вт-год.

Незалежно від того, чи вантаж вважається виключеним або повністю регламентованим, вантажовідправник несе відповідальність за відповідність останнім нормам щодо вимог до упаковки, етикеток/маркування та документації. Інформація, що наводиться у цьому розділі керівництва, сумлінно перевірена та вважається дійсною на момент складання документації. Проте чинні нормативи можуть підлягати зміні. Покупець несе відповідальність за те, щоб його дії відповідали певним нормам.

### Транспортування батареї FLEXVOLT™

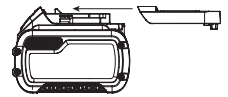
Батарея DEWALT FLEXVOLT™ має два режими: **використання та транспортування.**

**Режим використання.** при використанні батареї FLEXVOLT™ окремо або в продукті DEWALT 18В вона працює як батарея потужністю 18 В. Якщо батарею FLEXVOLT™ встановлено у пристрій потужністю 54 В або 108 В (дві батареї 54 В), вона буде працювати як батарея 54 В.

**Режим транспортування.** якщо на батарею FLEXVOLT™ встановлено кришку, вона знаходиться у режимі транспортування. Не знімайте цю кришку при транспортуванні.

У режимі транспортування послідовність електричних елементів акумулятора роз'єднана, що створює 3 акумулятори з меншим значенням Вт-год в порівнянні з 1 акумулятором із більшим значенням цього показника. Ці 3 акумулятори з нижчим значенням ват-годин можуть бути виключені з певних норм транспортування, що застосовуються для акумуляторів з більшим значенням ват-годин.

Наприклад, показник транспортування може бути 3 × 36 Вт-год, що означає 3 акумулятори по 36 Вт-год кожний. При цьому показник Вт-год в режимі використання може бути вказаний як 108 Вт-год (1 акумулятор).



Приклад маркування способів використання та транспортування



## Рекомендації щодо зберігання

1. Найкращим місцем для зберігання інструмента є прохолодне сухе місце, куди не потрапляють прямі сонячні промені та немає доступу тепла та холоду. Для оптимальної продуктивності та терміну служби батарей зберігайте їх за кімнатної температури, коли вони не використовуються.
2. При тривалому зберіганні для оптимального результату рекомендується помістити повністю заряджений акумулятор у сухе прохолодне місце поза зарядним пристроєм.

**ПРИМІТКА:** Не рекомендується зберігати акумулятор повністю розрядженим. Акумулятор потрібно перезарядити перед використанням.

## Етикетки на зарядному пристрої та акумуляторі

Крім символів, що використовуються у цьому керівництві, етикетки на зарядному пристрої та акумуляторі можуть містити наведені нижче позначки.



Прочитайте інструкції цього керівництва перед використанням.



Див. розділ «Технічні дані» щодо часу зарядки.



Не торкайтеся електропровідними предметами.



Не заряджайте пошкоджені акумулятори.



Не піддавайте впливу води.



Негайно замінійте пошкоджений дрід живлення.



Заряджайте акумулятор за температури 4–40 °С.



Лише для використання в приміщенні.



Утилізуйте акумулятори з належною турботою про навколишнє середовище.



Заряджайте акумулятори DEWALT лише за допомогою спеціальних зарядних пристроїв DEWALT. Зарядка інших акумуляторних батарей, ніж призначені DEWALT, у зарядному пристрої DEWALT може призвести до їх вибуху або інших небезпечних ситуацій.



Не спляйте акумулятори.



ВИКОРИСТАННЯ (без кришки для транспортування).  
Приклад: Значення Вт-год становить 108 Вт-год (1 акумулятор потужністю 108 Вт-год).



ТРАНСПОРТУВАННЯ (зі встановленою кришкою для транспортування). Приклад: Значення Вт-год становить 3 × 36 Вт-год (3 акумулятори потужністю 36 Вт-год).

## Тип акумулятора

Пристрій DCS691 працює від акумулятора DEWALT з напругою 54 вольт.

Для експлуатації придатні акумулятори наступних моделей: DCB181, DCB182, DCB183, DCB183B, DCB183G, DCB184, DCB184B, DCB184G, DCB184LR, DCB185, DCB187, DCB189, DCBP034, DCBP034G, DCBP518, DCBP518G. Див. додаткову інформацію у розділі **Технічні дані**.

## Комплект поставки

Комплект містить:

- 1 Відрізний інструмент
- 1 Алмазне полотно (лише версії X2)
- 1 Гайковий ключ на 12,7 мм
- 1 Зарядний пристрій (лише версії X2)
- 2 Літій-іонні акумулятори (лише версії X2)
- 1 Посібник з експлуатації

**ПРИМІТКА.** Акумулятори, зарядні пристрої й коробки для зберігання не входять до комплекту моделей N. Акумулятори й зарядні пристрої не входять до комплекту моделей NT. Моделі V включають акумулятори для приладів з підтримкою Bluetooth®.

**ПРИМІТКА.** Текстовий знак та логотипи Bluetooth® є зареєстрованими товарними знаками, що належать компанії Bluetooth®, SIG, Inc. Будь-яке використання таких знаків компанією DEWALT здійснюється згідно з ліцензією. Інші торгові марки й торгові назви належать відповідним власникам.

- *Перевірте інструмент, деталі та приладдя на пошкодження, що могли виникнути під час транспортування.*
- *Перед використанням уважно прочитайте та повністю зрозумійте цей посібник.*

## Маркування інструмента

На інструменті є наступні піктограми:



Прочитайте інструкції цього керівництва перед використанням.



Використовуйте засоби захисту органів слуху.



Використовуйте засоби захисту очей.



Видиме випромінювання. Не дивіться на джерело світла.

## Розташування коду дати (рис. А)

Код дати виробництва **14** складається із 4 цифр року, за якими йдуть 2 цифри тижня і додатково 2 цифри коду підприємства.

## Опис (рис. А)

**ПОПЕРЕДЖЕННЯ:** Ніколи не модифікуйте електричні інструменти та їх деталі. Інакше вони можуть стати причиною пошкодження майна або тілесних ушкоджень.

- |                                 |                                     |
|---------------------------------|-------------------------------------|
| 1 Основна ручка                 | 10 Кнопка блокування шпинделя       |
| 2 Тригерний перемикач           | 11 Важіль повороту захисного кожуха |
| 3 Кнопка блокування             | 12 Башмак                           |
| 4 Кришка акумуляторного відсіку | 13 Водяний клапан                   |
| 5 Гайковий ключ на 12,7 мм      | 14 Код дати                         |
| 6 Світлодіод                    | 15 Впускний клапан для води         |
| 7 Передня ручка                 |                                     |
| 8 Захисний кожух                |                                     |
| 9 Гвинт оправки                 |                                     |

## Область застосування

Цей відрізний інструмент призначений для професійного різання. Використовуйте метод вологого різання лише під час різання бетону. Метод сухого різання використовується під час різання металу.

**НЕ** використовуйте у присутності легкозаймистих рідин та газів.

Цей відрізний інструмент є професійним електричним інструментом.

**НЕ** дозволяйте дітям підходити та торкатися інструмента. Використання інструмента недосвідченими операторами потребує нагляду.

- **Діти та хворі люди.** Даний пристрій не призначений для експлуатації дітьми та особами з обмеженими розумовими та фізичними можливостями без стороннього контролю.
- Цей пристрій не призначений для використання особами (включаючи дітей) із зниженими фізичними, сенсорними або розумовими можливостями або особами, яким бракує досвіду або знань за винятком випадків, коли такі особи працюють під наглядом особи, яка несе відповідальність за їх безпеку. Не можна залишати дітей наодинці з цим пристроєм.
- **НЕ** різьте бетон, не підключивши інструмент до системи водопостачання.

## МОНТАЖ ТА НАЛАШТУВАННЯ

**ПОПЕРЕДЖЕННЯ:** Щоб знизити ризик серйозних тілесних ушкоджень, вимкніть інструмент та відключіть акумулятор перед виконанням будь-яких налаштувань або зніманням/встановленням додаткового обладнання або приладдя. Випадковий запуск може призвести до травм.

**ПОПЕРЕДЖЕННЯ:** Використовуйте тільки DeWALT акумулятори та зарядні пристрої.

## Встановлення акумулятора в інструмент та його виймання (рис. В)

**ПОПЕРЕДЖЕННЯ:** Не працюйте з відкритою кришкою акумуляторного відсіку. Уникайте потрапляння води в акумуляторний відсік.

**ПРИМІТКА.** Переконайтеся, що акумулятор **24** повністю заряджений.

### Встановлення акумулятора в інструмент

1. Відкрийте кришку акумуляторного відсіку **4**.
2. Щоб встановити акумулятор **24** в інструмент, вирівняйте акумулятор відповідно до направляючих всередині інструмента та вставте його до упору. Переконайтеся, що акумулятор не випадає.
3. Міцно закрийте кришку акумуляторного відсіку.

### Виймання акумулятора з інструмента

1. Відкрийте кришку акумуляторного відсіку.
2. Натисніть кнопку розблокування **16** та витягніть акумулятор з інструмента.
3. Вставте його в зарядній пристрій відповідно до вказівок у розділі «Зарядження акумулятора».

Не залишайте відкритою кришку акумуляторного відсіку.

### Акумулятори з індикатором рівня заряду (рис. В)

Деякі акумулятори DeWALT оснащені індикатором рівня заряду з трьох зелених світлодіодів, що вказують рівень заряду акумулятора, що залишився.

Щоб увімкнути індикатор заряду, натисніть та утримуйте кнопку індикатора заряду **23**. Три зелені світлодіоди будуть горіти відповідним чином, відображуючи рівень зарядки акумулятора. Коли рівень заряду акумулятора нижче відповідного ліміту, індикатор рівня заряду не горить, а акумулятор потрібно зарядити.

**ПРИМІТКА.** Індикатор рівня заряду показує лише рівень заряду, що залишився в акумуляторі. Він не показує функціональність інструмента, а його показники можуть змінюватись відповідно до комплекtnості інструмента, температури та способу застосування.

## Встановлення дисків (рис. А, С)

**ПОПЕРЕДЖЕННЯ:** *Небезпека опіку. Гострі деталі. ЗАВЖДИ надягайте рукавички при заміні дисків. Диски мають гострі краї або можуть сильно нагріватися під час роботи і пошкодити голі руки.*

1. Покладіть пристрій на тверду поверхню шпинделем **21** догори.
2. Утримуйте кнопку блокування шпинделя **10**, щоб шпиндель не обертася.
3. За допомогою гайкового ключа на 12,7 мм **5** (розташованого в акумуляторному відсіку), відкрутіть гайку шпинделя **17**, зніміть зовнішню затискну

шайбу **18** та використаний диск **19**, якщо його встановлено. Нарізь шпинделя правостороння.

4. Внутрішня затискача шайба **20** утримується на місці за допомогою подвійного D-подібного вала та стопорного кільця.
5. Встановіть диск на шпиндель. Переконайтеся, що диск проходить за посадковим діаметром внутрішньої затискачої шайби. Встановіть зовнішню затискачу шайбу. Почніть закручувати гайку шпинделя, яка самостійно вирівняє зовнішню затискачу шайбу. Переконайтеся, що диск встановлено з правильною орієнтацією.
6. Натисніть кнопку блокування шпинделя та затягніть гайку ключем. Не затягуйте гайку шпинделя занадто сильно.
7. Поверніть диск вручну, щоб переконатися, що він правильно відцентрований. Диск не повинен зачіпати башмак, захисний кожух або гайку. Гайка та фланці повинні бути добре затягнуті.

**⚠ УВАГА!** З цим інструментом використовуйте виключно диски типу 1/41 діаметром 230 мм з отвором в оправці 22,2 мм. Ніколи не встановлюйте диск на верстат із надмірним зусиллям та не змінюйте розмір отвору в оправці.

## Регулювання кута нахилу захисного кожуха (рис. D)

**⚠ ПОПЕРЕДЖЕННЯ:** Існує вищий ризик віддачі, коли захисний кожух перемикається назад, що призводить до широкого відкриття. Захисний кожух необхідно відкривати ширше лише за потреби.

Кут нахилу захисного кожуха можна відрегулювати.

1. Щоб відрегулювати кут нахилу захисного кожуха, потягніть назад важіль повороту захисного кожуха **11** та утримуйте його.
2. Міцно візьміться за захисний кожух **8** та поверніть його на потрібний кут.
3. Відпустіть важіль повороту захисного кожуха та переконайтеся, що він став на місце, зафіксувавши захисний кожух. Якщо важіль повороту захисного кожуха не стає на місце, злегка поверніть захисний кожух, доки він не повернеться в зафіксоване положення.

## Інструмент DEWALT готовий до використання трекера (рис. G)

### Додаткове приладдя

Цей відрізний інструмент має монтажні отвори **22** та кріпильні елементи для встановлення трекера інструментів DEWALT. Для встановлення трекера вам знадобиться насадка T15. Трекер інструментів DEWALT призначений для відстеження та визначення місцезнаходження професійних електроінструментів, обладнання та машин за допомогою застосунку DEWALT Tool Connect™. Додаткову інформацію щодо правильного встановлення трекера DEWALT див. у посібнику «Трекер інструментів DEWALT».

## РЕЖИМ РОБОТИ

### Інструкції з використання

- ⚠ ПОПЕРЕДЖЕННЯ:** Завжди дотримуйтесь усіх інструкцій з техніки безпеки та відповідних норм.
- ⚠ ПОПЕРЕДЖЕННЯ:** Щоб знизити ризик серйозних тілесних ушкоджень, вимкніть інструмент та відключіть акумулятор перед виконанням будь-яких налаштувань або зміннянням/встановленням додаткового обладнання або приладдя. Випадковий запуск може призвести до травм.

### Належне положення рук (рис. F)

- ⚠ ПОПЕРЕДЖЕННЯ:** Щоб знизити ризик серйозних травм, **ЗАВЖДИ** правильно розташуйте руки, як показано.
- ⚠ ПОПЕРЕДЖЕННЯ:** Щоб знизити ризик серйозних травм, **ЗАВЖДИ** надійно тримайте інструмент, щоб попередити випадкову віддачу.

При правильному положенні рук необхідно одну руку тримати на основній ручці **1**, а іншу – на передній ручці **7**.

### Передавач Wireless Tool Control (рис. A)

**⚠ УВАГА!** Прочитайте всі застереження щодо безпечного користування, інструкції та специфікації до пристрою, що входить до комплекту поставки інструмента.

Цей інструмент оснащено передавачем Wireless Tool Control, що дає змогу з'єднати його по бездротовій мережі з іншим пристроєм Wireless Tool Control.

Щоб з'єднати інструмент з іншим пристроєм Wireless Tool Control по бездротовій мережі, натисніть та утримуйте тригерний перемикач **2** на інструменті та кнопку з'єднання Wireless Tool Control на іншому пристрої. Про успішне з'єднання вашого інструмента повідомить світлодіод на іншому пристрої.

### Кнопка блокування шпинделя (рис. A, C)

Кнопка блокування шпинделя **10** використовується для блокування шпинделя **21** під час заміни приладдя.

1. Щоб задіяти кнопку блокування шпинделя, вийміть акумулятор та переконайтеся, що тригерний перемикач знаходиться у положенні «ВИМК».
2. Натисніть кнопку блокування шпинделя і повертайте диск та шпиндель, поки кнопка блокування не зафіксується на шпинделі.
3. За допомогою гайкового ключа з комплекту **5** відкрутіть гайку шпинделя **17** і зніміть або встановіть потрібне приладдя. Нарізь шпинделя правостороння.

### Кнопка блокування (рис. A)

Цей відрізний інструмент оснащено кнопкою блокування **3**. Щоб заблокувати тригерний перемикач в положенні ВИМК, натисніть кнопку блокування з лівого боку інструмента.

Щоб розблокувати тригерний перемикач, натисніть кнопку блокування з правого боку інструмента.

**Світлодіод (рис. А)**

Світлодіод **6** загоряється як попередження у разі занадто сильного тиску на інструмент. Продовження роботи з інструментом після ввімкнення світлодіода може спричинити перегрівання або відключення інструмента.

**Експлуатація (рис. А)**

**УВАГА!** Перед використанням міцно візьміться за інструмент обома руками.

**ПОПЕРЕДЖЕННЯ:** Зняття крайок можна виконувати лише дисками, призначеними для цієї мети. Захистіть себе під час відрізання крайок, спрямувавши захисний кожух відкритою стороною на поверхню.

**ПОПЕРЕДЖЕННЯ:** Диски, що використовуються для різання, можуть зламатися або спричинити віддачу, якщо вони зігнуться або скрутяться при використанні відрізного інструмента.

**ПОПЕРЕДЖЕННЯ:** Не використовуйте диски, що призначені для різання крайки, для шліфування поверхні, оскільки вони не розраховані на боковий тиск, що виникає при шліфуванні поверхні. Це може призвести до поломки диска та травм.

1. Міцно тримайте основну ручку **1** та передню ручку **7**.
2. Вирівняйте диск із матеріалом, який потрібно розрізати. Переконайтеся, що поруч із диском чи на одній лінії з ним нічого немає.
3. Щоб увімкнути інструмент, натисніть тригерний перемикач **2**. А потім повільно підведіть диск до заготовки, міцно натискаючи на нього. Башмак **12** можна використовувати для спрямування інструмента під час різання. Не прикладайте надмірних зусиль під час роботи з інструментом. Для максимальної ефективності та подовження терміну служби диска підтримуйте високу швидкість обертання диска.
4. Щоб зупинити інструмент, відпустіть тригерний перемикач **2**.

**Метод вологого різання (рис. А, G, H)**

**УВАГА!** Ніколи не використовуйте пилку над головою. При використанні води обмежте різання у горизонтальному положенні, щоб зменшити ризик потрапляння води в інструмент.

**Попередження. Метод вологого різання** використовується лише з алмазними полотнами.

1. Подайте воду на впускний клапан для води **15**.
2. Щоб регулювати потік води, поверніть водяний клапан **13** у відкрите положення, як показано на рисунку G. Щоб зупинити потік води, поверніть водяний клапан у закрите положення, як показано на рисунку H.
3. Продовжуйте різати відповідно до вказівок у розділі **Експлуатація**.
4. Після роботи відключіть подачу води до інструмента.

**Застосування**

**ПОПЕРЕДЖЕННЯ:** НІКОЛИ не різте магнії цим інструментом. Частинки магнію можуть спалахнути, що може призвести до тілесних ушкоджень.

**ПОПЕРЕДЖЕННЯ:** Розрізання бетону потрібно виконувати ЛІШЕ методом вологого різання.

- Макс. товщина листового металу 3 мм
- Бетон, пінобетонний блок та цегла
- Арматура; звичай діаметром до 25,4 мм
- Бетонна арматурна сітка діаметром 3 мм
- Профільована підлога та стеля (опалубка)
- Монтажний короб зі стінками товщиною 3 мм
- Форми конструкції макс. товщиною 3 мм, такі як швелер, кутовий профіль, пластини тощо

**ПРИМІТКА.** Не рекомендується розрізати матеріали, товщина яких перевищує вказані вище значення, через можливість електричного перевантаження.

**Транспортування та зберігання**

Під час транспортування та зберігання блокуйте тригерний перемикач кнопкою блокування.

Виймайте акумулятор під час зберігання інструмента.

**ТЕХНІЧНЕ ОБСЛУГОВУВАННЯ**

Ваш електричний інструмент призначений для роботи протягом довгого часу з мінімальним обслуговуванням. Довга задовільна робота приладу залежить від належного обслуговування приладу та регулярного його очищення.

**ПОПЕРЕДЖЕННЯ:** Щоб знизити ризик серйозних тілесних ушкоджень, вимкніть інструмент та відключіть акумулятор перед виконанням будь-яких налаштувань або зніманням/встановленням додаткового обладнання або приладдя. Випадковий запуск може призвести до травм.

Зарядний пристрій та акумулятор не підлягають обслуговуванню.

**Змащування**

Ваш електричний інструмент не вимагає додаткового змащування.

**Очищення**

**ПОПЕРЕДЖЕННЯ:** Небезпека ураження електричним струмом або механічного пошкодження. Перед очищенням від'єднайте електроприлад від джерела живлення.

**ПОПЕРЕДЖЕННЯ:** Для безпечної і продуктивної експлуатації електроприлад і вентиляційні отвори мають бути чистими.

**ПОПЕРЕДЖЕННЯ:** Ніколи не використовуйте розчинники та інші агресивні хімічні засоби для очищення неметалевих деталей інструмента. Такі хімічні засоби можуть негативно впливати на

матеріали, що використовуються в цих деталях.  
Користуйтеся тканиною, змоченою у м'якому  
мильному розчині. Не дозволяйте рідині потрапляти  
всередину інструмента і ніколи не занурюйте  
деталі інструмента в рідину.

Вентиляційні отвори потрібно очищати сухою м'якою  
нemetалічною щіткою та/або прийнятним пиломоском. Не  
використовуйте воду та мийні розчини. Використовуйте  
засоби захисту очей і рекомендовану протипилову маску.

## Додаткові аксесуари



**ПОПЕРЕДЖЕННЯ:** Оскільки інше приладдя, що не  
зазначене виробником DEWALT, не перевірялося  
з цим пристроєм, його використання з  
інструментом може бути небезпечним. Необхідно  
використовувати лише рекомендовані DEWALT  
приладдя з цим пристроєм, щоб знизити ризик  
отримання травми.

Зверніться до свого дилера для отримання подальшої  
інформації щодо відповідного приладдя.

## Захист навколишнього середовища



Пристрої/акумулятори підлягають переробці, але якщо вони  
позначені знаком із перекресленим контейнером для сміття,  
їх не можна викидати зі звичайними побутовими відходами.

Повністю розрядіть акумулятори і витягніть їх з приладу,  
а також витягніть будь-які джерела світла за можливості.  
Видалення будь-якої персональної інформації з виробу  
є відповідальністю користувача. Потім доставте їх до  
офіційного центру збору відходів або до представника  
роздрібною торгівлі, який безкоштовно приймає участь у  
зборі відходів. Упакування має бути утилізованим відповідно  
до коду маркування матеріалу. Інструкції з експлуатації та  
техніки безпеки мають бути утилізованими після припинення  
використання виробу.

Дізнайтеся про місцеві/муніципальні рекомендації щодо  
поводження з відходами. Для додаткової інформації  
завітайте на сайт [www.2helpU.com](http://www.2helpU.com) і відскануйте наведений  
вище QR-код.



Виробник:  
"Stanley Black & Decker Deutschland  
GmbH" Black-&-Decker Str.40, D-65510  
Idstein, Німеччина

060



ГАРАНТІЙНИЙ ТАЛОН

**3 РОКИ**  
**ГАРАНТІЇ**

- Вітаємо Вас з покупкою високоякісного виробу DEWALT і висловлюємо вдячність за Ваш вибір.
- При покупці виробу вимагайте перевірки його комплекстності і справності у Вашій присутності, інструкцію з експлуатації та заповнений гарантійний талон українською мовою. В гарантійному талоні повинні бути внесені: модель, дата продажу, серійний номер, дата виробництва інструменту, назва, печатка і підпис торгової організації. За відсутності у Вас правильно заповненого гарантійного талону, а також при невідповідності зазначених у ньому даних ми будемо змушені відхилити Ваші претензії щодо якості даного виробу.
- Щоб уникнути непорозумінь, переконливо просимо Вас перед початком роботи з виробом уважно ознайомитися з інструкцією з його експлуатації. Правовою основою справних гарантійних умов є чинне Законодавство. Гарантійний термін на даний виріб складає 36 місяці і обчислюється з дня продажу. У разі усунення недоліків виробу, гарантійний строк продовжується на період його перебування в ремонті. Термін служби виробу становить 5 років з дня продажу.
- У разі виникнення будь-яких проблем у процесі експлуатації виробу рекомендуємо Вам звертатися тільки в уповноважені сервісні центри DEWALT, адреси та телефони яких Ви зможете знайти в гарантійному талоні, на сайті [www.2helpU.com](http://www.2helpU.com) або дізнатися в магазині. Наші сервісні станції - це не тільки кваліфікований ремонт, але і широкий асортимент запчастин і аксесуарів.
- Виробник рекомендує проводити періодичну перевірку і технічне обслуговування виробу в уповноважених сервісних центрах.
- Наші гарантійні зобов'язання поширюються тільки на несправності, виявлені протягом гарантійного терміну і викликані дефектами виробництва та \ або матеріалів.
- Гарантійні умови не поширюються на несправності виробу, що виникли в результаті:
  - Недотримання користувачем приписів інструкції з експлуатації виробу, застосування виробу не за призначенням, неправильного зберігання, використання приладдя, витратних матеріалів і запчастин, що не передбачені виробником.
  - Механічного пошкодження (відколи, тріщини і руйнування) внутрішніх і зовнішніх деталей виробу, основних і допоміжних рукояток, мережевого кабелю, що викликані зовнішнім ударним або будь-яким іншим впливом
  - Потрапляння у вентиляційні отвори та проникнення всередину виробу сторонніх предметів, матеріалів або речовин, що не є відходами, які супроводжують застосування виробу за призначенням, такими як: стружка, тирса, пісок, тін.
  - Впливу на виріб несприятливих атмосферних і інших зовнішніх факторів, таких як дощ, сніг, підвищена вологість, нагрівання, агресивне середовище, невідповідність параметрів електромережі, що зазначені на інструменті.
  - Стихійного лиха. Пошкодження або втрати виробу, що пов'язані з непередбаченими лихами, стихійними явищами, у тому числі внаслідок дії непереборної сили (пожежа, блискавка, потоп і інші природні явища), а також внаслідок перепадів напруги в електромережі та іншими причинами, які знаходяться поза контролем виробника.
- Гарантійні умови не поширюються:
  - На інструменти, що піддавалися розкриттю, ремонту або модифікації поза уповноваженим сервісним центром.
  - На деталі, вузли та матеріали, що мають сліди природного зносу, такі як: приводні ремені і колеса, вугільні щітки, мастило, підшипники, зубчасті зчеплення редукторів, гумові ущільнення, сальники, направляючі ролики, муфти, вимикачі, бойки, штовхачі, столи тощо.
  - На змінні частини: патрони, цанги, затискні гайки і фланці, фільтри, ножі, шліфувальні підшви, ланцюги, зірокки, пильні шини, захисні кожухи, пилки, абразиви, пильні і абразивні диски, фрези, свердла, бури тощо
  - На несправності, що виникли в результаті перевантаження інструменту (як механічного, так і електричного), що спричинили вихід з ладу одночасно двох і більше деталей і вузлів, таких як: ротора і статора, обох обмоток статора, веденої і ведучої шестерень редуктора або інших вузлів і деталей. До безумовних ознак перевантаження виробу відносяться, крім інших: поява кольорів мінливості, деформація або оплвлення деталей і вузлів виробу, потемніння або обуглювання ізоляції проводів електродривуна під впливом високої температури.

Товар отриманий в справному стані, без видимих ушкоджень, в повній комплектації, перевірений у моїй присутності, претензії щодо якості товару не маю. З умовами гарантійного обслуговування ознайомлений і згоден.

П. І. Б. та підпис власника \_\_\_\_\_

**Шановні клієнти, наша мережа авторизованих сервісних центрів постійно розширюється. Актуальну інформацію про обслуговування в місті, що цікавить вас, ви можете дізнатися на сайті**

**[www.2helpU.com](http://www.2helpU.com)**

Редакція ВК/12-12-2018



**Інформація про інструмент**

Найменування інструменту	
Модель	
Найменування продавця	
Дата продажу	

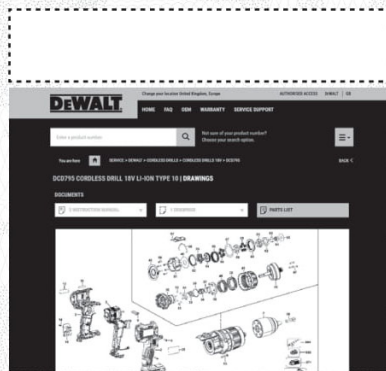
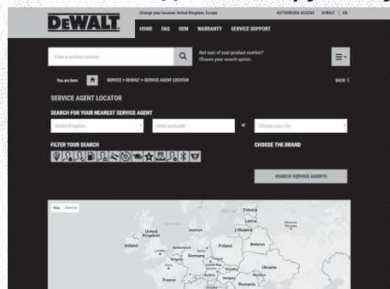
М.П.  
Продавця

**Серійний номер/Дата виробництва**

Інструмент	
Зарядний пристрій	
Акумулятор 1	
Акумулятор 2	

**На сайті [www.2helpU.com](http://www.2helpU.com) доступні наступні функції:**

- Список авторизованих сервісних центрів
- Зручний пошук найближчого сервісного центру
- Керівництво з експлуатації
- Технічні характеристики
- Список деталей і запасних частин
- Схема складання інструменту



**Також дану інформацію ви можете отримати, зателефонувавши за номером:  
0 (800) 211 521 в Україні**

**ВІДМІТКА ПРО ПРОВЕДЕННЯ СЕРВІСНОГО ОБСЛУГОВУВАННЯ**

№1	№2	№3	№4
№ замовлення	№ замовлення	№ замовлення	№ замовлення
Дата прийому	Дата прийому	Дата прийому	Дата прийому
Дата ремонту	Дата ремонту	Дата ремонту	Дата ремонту
Печатка і підпис сервісного центру	Печатка і підпис сервісного центру	Печатка і підпис сервісного центру	Печатка і підпис сервісного центру





