

Questions? See us on the World Wide Web at www.dewalt.com

INSTRUCTION MANUAL

DEWALT®

DW744XP-XE

HEAVY-DUTY 254 MM (10") JOB SITE TABLE SAW

Definitions: Safety Guidelines

The definitions below describe the level of severity for each signal word. Please read the manual and pay attention to these symbols.

⚠ DANGER: Indicates an imminently hazardous situation which, if not avoided, **will** result in **death or serious injury**.

⚠ WARNING: Indicates a potentially hazardous situation which, if not avoided, **could** result in **death or serious injury**.

⚠ CAUTION: Indicates a potentially hazardous situation which, if not avoided, **may** result in **minor or moderate injury**.

NOTICE: indicates a practice **not related to personal injury** which, if not avoided, **may** result in **property damage**.

IF YOU HAVE ANY QUESTIONS OR COMMENTS ABOUT THIS OR ANY DEWALT TOOL, CALL US AT: **1800 444 224** (Aust) or **0800 339 258** (NZ).

SAFETY INSTRUCTIONS

When using power tools, always observe the safety regulations applicable in your country to reduce the risk of fire, electric shock and personal injury. Read the following safety instructions before attempting to operate this product.

KEEP THESE INSTRUCTIONS IN A SAFE PLACE!

General

- 1. Keep work area clean.**
Cluttered areas and benches can cause accidents.
- 2. Consider work area environment.**
Do not expose power tools to humidity. Keep work area well lit. Do not use power tools in the presence of flammable liquids or gases.
- 3. Guard against electric shock.**
Prevent body contact with earthed surfaces (e.g., pipes, radiators, cookers and refrigerators). For use under extreme conditions (e.g., high humidity, when metal swarf is being produced, etc.) electric safety can be improved by inserting an isolating transformer or a (FI) earth-leakage circuit-breaker.
- 4. Keep children away.**
Do not let children come into contact with the tool or extension cord. Supervision is required for inexperienced operators.
- 5. Extension cords for outdoor use.**
When the tool is used outdoors, always use extension cords intended for outdoor use and marked accordingly.
- 6. Store idle tools.**
When not in use, power tools must be stored in a dry place and locked up securely, out of reach of children.
- 7. Dress properly.**
Do not wear loose clothing or jewellery. They can be caught in moving parts. Preferably wear rubber gloves and non-slip footwear when working outdoors. Wear protective hair covering to keep long hair out of the way.
- 8. Wear safety goggles.**
Also use a face or dust mask in case the operations produce dust or flying particles.
- 9. Beware of maximum sound pressure.**
Take appropriate measures for the protection of hearing if the sound pressure of 85 dB(A) is exceeded.
- 10. Secure workpiece.**
Keep proper footing and balance at all times.
- 11. Do not overreach.**
Always check that adjusting keys and wrenches are removed from the tool before operating the tool.
- 12. Avoid unintentional starting.**
Do not carry the plugged-in tool with a finger on the switch. Be sure that the switch is released when plugging in.
- 13. Stay alert.**
Watch what you are doing. Use common sense. Do not operate the tool when you are tired.

- 14. Disconnect tool.**
Shut off power and wait for the tool to come to a complete standstill before leaving it unattended. Unplug the tool when not in use, before servicing or changing accessories.
- 15. Remove adjusting keys and wrenches.**
Always check that adjusting keys and wrenches are removed from the tool before operating the tool.
- 16. Use appropriate tool.**
The intended use is described in this instruction manual. Do not force small tools or attachments to do the job of a heavy-duty tool. The tool will do the job better and safer at the rate for which it was intended.
WARNING! The use of any accessory or attachment or performance of any operation with this tool, other than those recommended in this instruction manual may present a risk of personal injury.
- 17. Do not abuse cord.**
Never carry the tool by its cord or pull it to disconnect from the socket. Keep the cord away from heat, oil and sharp edges.
- 18. Maintain tools with care.**
Keep the tools in good condition and clean for better and safer performance. Follow the instructions for maintenance and changing accessories. Inspect the tool cords at regular intervals and, if damaged, have them repaired by an authorized DEWALT repair agent. Inspect the extension cords periodically and replace them if damaged. Keep all controls dry, clean and free from oil and grease.
- 19. Check for damaged parts.**
Before using the tool, carefully check it for damage to ensure that it will operate properly and perform its intended function. Check for misalignment and seizure of moving parts, breakage of parts and any other conditions that may affect its operation. Have damaged guards or other defective parts repaired or replaced as instructed. Do not use the tool if the switch is defective. Have the switch replaced by an authorized DEWALT repair agent.
- 20. Have your tool repaired by an authorized DEWALT repair agent.**
This power tool is in accordance with the relevant safety regulations. To avoid danger, electric appliances must only be repaired by qualified technicians.

Additional Safety Rules for Saw Benches

- Do - protect the electrical supply line with a suitable fuse or circuit breaker.
- Do - make certain the blade rotates in the correct direction and that the teeth are pointing to the front of the saw bench.
- Do - be sure all clamp handles are tight before starting any operation.
- Do - be sure all blade and arbor collars are clean and the recessed sides of the collars are against the blade.
- Do - keep the saw blade sharp and properly set.
- Do - keep hands out of the path of the saw blade.
- Do - shut off the power and wait for the saw blade to stop before servicing or adjusting the tool.
- Do - disconnect the saw from the mains supply before changing the blade or carrying out maintenance.
- Don't - attempt to operate on anything other than the designated voltage.
- Don't - use blades larger or smaller than those which are recommended.
- Don't - force the cutting action. (Stalling or partial stalling of the motor can cause major damage. Allow the motor to reach full speed before cutting.)
- Don't - cut ferrous metals, non-ferrous metals or masonry.
- Don't - use abrasive wheels.
- Don't - apply lubricants to the blade when it is running.
- Don't - place either hand in the blade area when the saw is connected to the power source.
- Don't - use any blades other than those specified in this instruction manual.
- Don't - operate the saw without the guards in place.
- Don't - reach around behind the saw blade.
- Don't - place hands closer than 150 mm from the saw blade while cutting.
- Don't - use damaged or cracked saw blades.

Residual Risks

The following risks are inherent to the use of saws:

- injuries caused by touching the rotating parts

In spite of the application of the relevant safety regulations and the implementation of safety devices, certain residual risks cannot be avoided. These are:

- Impairment of hearing.
- Risk of accidents caused by the uncovered parts of the rotating sawblade.
- Risk of injury when changing the blade.
- Risk of squeezing fingers when opening the guards.
- Health hazards caused by breathing dust developed when sawing wood, especially oak, beech and MDF.

Package Contents

The package contains:

- 1 Partly assembled machine
- 1 Rip fence
- 1 Mitre gauge
- 1 TCT saw blade
- 1 Upper blade guard assembly
- 1 Table insert
- 1 Blade wrench
- 1 Arbor wrench
- 1 Dust extraction adapter
- 1 Instruction manual
- 1 Exploded drawing

- Check for damage to the tool, parts or accessories which may have occurred during transport.
- Take the time to thoroughly read and understand this manual prior to operation.

Description (fig. A1, A2)

Your DW744XP jobsite table saw has been designed to perform the four main sawing operations of ripping, cross-cutting, bevelling and mitring easily, accurately and safely in wood, wood products and plastics. This unit is designed for use with a 250 mm carbide-tipped blade.

A1

- 1 On/off switch
- 2 Mounting holes
- 3 Mitre gauge
- 4 Table
- 5 Upper blade guard
- 6 Table insert
- 7 Rip fence
- 8 Rip scale indicator
- 9 Fine adjustment knob
- 10 Combined elevating and bevel control wheel
- 11 Bevel lock lever
- 12 Ripping position lock lever

A2

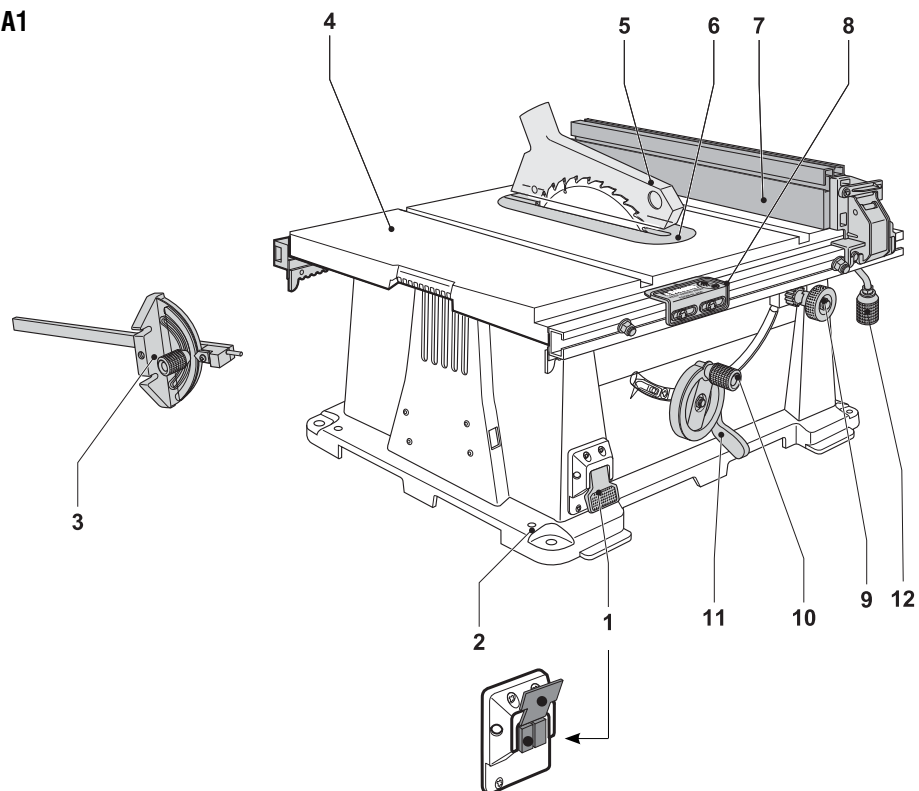
- 13 Rip fence latch
- 14 Dust extraction outlet (accepts dust extraction adaptor)
- 15 Blade/wrench storage
- 16 Fence rail
- 17 Locking knobs
- 18 Fence slot

ELECTRICAL SAFETY

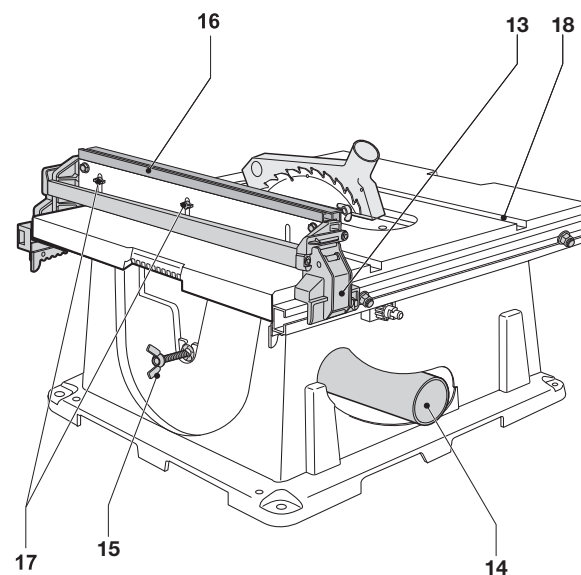
The electric motor has been designed for one voltage only. Always check that the power supply corresponds to the voltage on the rating plate. 230 V AC means your tool will operate on alternating current. As little as 10% lower voltage can cause loss of power and can result in overheating. All DEWALT tools are factory tested; if this tool does not operate, check the power supply. Your DEWALT tool is double insulated, therefore no earth wire is required.

- **Young children and the infirm.** This appliance is not intended for use by young children or infirm persons without supervision. Young children should be supervised to ensure that they do not play with this appliance.
- **Replacement of the supply cord.** If the supply cord is damaged, it must be replaced by the manufacturer or an authorised DEWALT Service Centre in order to avoid a hazard.

A1



A2



Extension Cords

CAUTION: Use only extension cords that are approved by the country's Electrical Authority. Before using extension cords, inspect them for loose or exposed wires, damaged insulation and defective fittings. Replace the cord if necessary.

For Cable length (m):	MINIMUM GAUGE FOR CORD SETS					
	7.5	15	25	30	45	60
Use Cable with minimum rating (Amperes)						
Tool Amperes						
0 - 3.4	7.5	7.5	7.5	7.5	7.5	7.5
3.5 - 5.0	7.5	7.5	7.5	7.5	10	15
5.1 - 7.0	10	10	10	10	15	15
7.1 - 12.0	15	15	15	15	20	20
12.1 - 20.0	20	20	20	20	25	-

WARNING: We recommend the use of a residual current device with a residual current rating of 30mA or less.

WARNING: ALWAYS wear approved protective safety equipment complying with the following standards:

- Eye protection: AS/NZS1337 Eye Protectors for Industrial Applications;
- Hearing protection: AS/NZS1270 Acoustics – Hearing Protection;
- Respiratory protection: AS/NZS1716 Respiratory Protective Devices.

WARNING: Some dust created by power sanding, sawing, grinding, drilling, and other construction activities contains chemicals known to cause cancer, birth defects or other reproductive harm. Some examples of these chemicals are:

- lead from lead-based paints,
- crystalline silica from bricks and cement and other masonry products, and
- arsenic and chromium from chemically-treated lumber.

Your risk from these exposures varies, depending on how often you do this type of work. To reduce your exposure to these chemicals: work in a well ventilated area, and work with approved safety equipment, such as those dust masks that are specially designed to filter out microscopic particles.

- **Avoid prolonged contact with dust from power sanding, sawing, grinding, drilling, and other construction activities. Wear protective clothing and wash exposed areas with soap and water.** Allowing dust to get into your mouth, eyes, or lay on the skin may promote absorption of harmful chemicals.

WARNING: Use of this tool can generate and/or disburse dust, which may cause serious and permanent respiratory or other injury. Always use NIOSH/OSHA approved respiratory protection appropriate for the dust exposure. Direct particles away from face and body.

WARNING: Always wear proper personal hearing protection that conforms to AS/NZS1270 during use. Under some conditions and duration of use, noise from this product may contribute to hearing loss.

ASSEMBLY AND ADJUSTMENT

WARNING: Prior to assembly and adjustment always unplug the tool.

The machine is fully assembled except for the blade, rip fence, upperblade guard and table insert.

Fitting the Rip Fence (Fig. B1, B2)

The rip fence (7) can be installed on the left or right side of your table saw.

1. Align the locator screw (19) on the fence rail with the fence head slot and align the latch (13) with the opening (22) (fig. B1, B2).
2. Secure the rip fence by snapping the latches onto the rails as shown in figure B2. Be sure to snap both front and rear latches in place.

Mounting the Saw Blade (fig. A1, C1, C2)

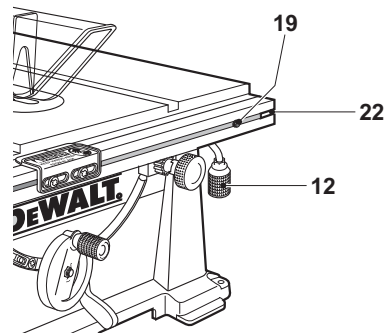
WARNING: Ensure the machine is disconnected from the power source.

WARNING: The teeth of a new blade are very sharp and can be dangerous.

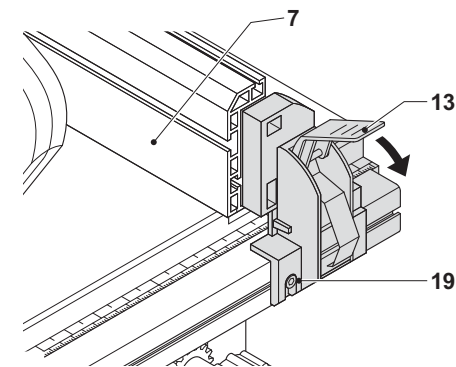
1. Raise the blade arbor to its maximum by rotating the control wheel (10) clockwise (fig. A1).
2. Place the saw blade onto the spindle in the order shown in figure C1. Make sure the teeth point down at the front of the table.
3. Hold the spindle using the open-ended wrench and tighten the arbor nut by rotating clockwise using the arbor wrench (fig. C2).
4. To remove the blade, proceed in reverse order.

WARNING: Always check the rip fence pointer and the riving knife after having changed the blade.

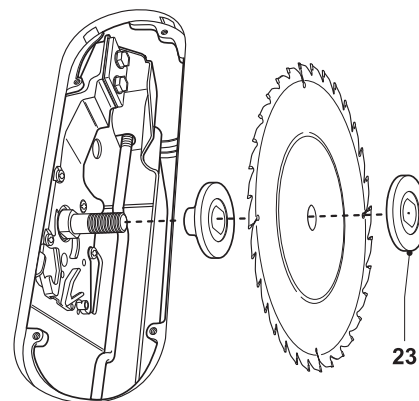
B1



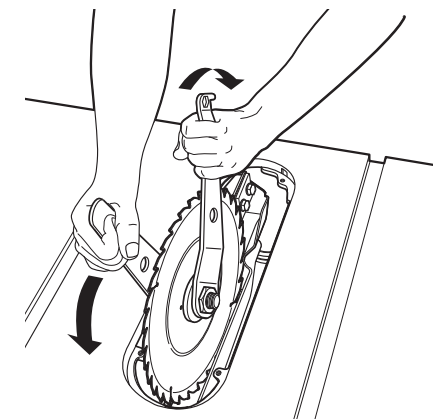
B2



C1



C2



Parallel Adjustment (fig. A2, D)

For optimum performance, the blade must be parallel to the mitre slots. This adjustment has been made at the factory. To re-adjust:

1. Place the unit in upright position.
2. Using a 10 mm socket wrench, slacken the bracket fasteners (25) slightly (fig. D).
3. Adjust the bracket (26) until the blade is parallel to the fence slot (18) (fig. A2).
4. Tighten the bracket fasteners (25) to 11 Nm (fig. D).

BLADE HEIGHT ADJUSTMENT (FIG. A1)

The blade can be raised and lowered by turning the combined elevating and bevel control wheel (10).

Make sure the top three teeth of the blade are just breaking through the upper surface of the workpiece when sawing. This will ensure that the maximum number of teeth are removing material at any given time, thus giving optimum performance.

Adjusting the Rip Scale (fig. A1, E)

1. Remove the blade guard.
2. Unlock the lock lever (12) by pulling it up (fig. A1).
3. Unlock the bevel lock lever (11) and set the bevel angle to 0°.
4. Move the fence (7) until it touches the blade.
5. Lock the lock lever (12).
6. Loosen the rip scale pointer screws (27) and set the pointer (28) to zero (fig. E).
7. Tighten the screws (27).

The rip scale reads correctly only when the fence is mounted to the right of the blade.

Mounting the Riving Knife Assembly (fig. A1, F)

1. Raise the blade arbor to its maximum by rotating the blade height adjustment wheel (10) clockwise (fig. A1).
2. Slacken the two bolts (29) (fig. F).
3. Align the slots (30) with the bolts (29) and insert the fence until the tops of the slots rest on the bolts (fig. F).
NOTE: When properly aligned, the riving knife will be in line with the blade at the table top and at the top of the blade. Check using a straight edge in all bevel and blade height positions.
4. If adjustment is required, remove the blade guard and adjust the shims (32).
5. Mount the blade guard on the bolts.
6. Retighten the bolts (29) securely.

⚠ WARNING: When properly aligned, the riving knife will be in line with the blade at the table top and at the top of the blade. Check using a straight edge in all bevel and blade height positions.

⚠ WARNING: Correct mounting and alignment of the riving knife and upper blade guard is essential to safe operation!

Mounting the Table Insert (fig. H)

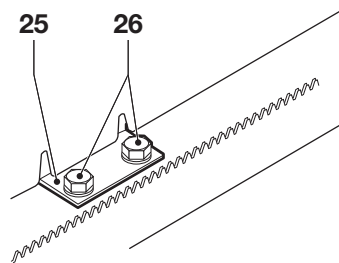
1. Align the table insert (6) as shown and insert the tabs of the back of the table insert into the holes on the back of the table.
2. Press down the front of the table insert.
3. The front of the table insert must be flush or slightly below the table top. The rear should be flush or slightly above the table top. Adjust using the four adjustment screws (33).
4. Turn the locking screw (see insert in fig. H) clockwise 90° to lock the table insert in place.

⚠ WARNING: Never use the machine without the table insert. Immediately replace the table insert when worn or damaged.

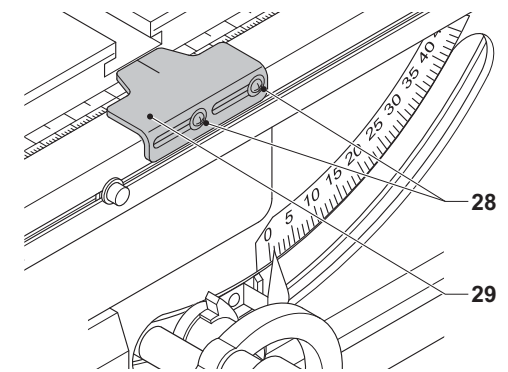
Bench Mounting (fig. A1)

- Holes (2) are provided in all four feet to facilitate bench mounting. Two different sized holes are provided to accommodate different sizes of bolts. Use either hole; it is not necessary to use both. Always mount your saw firmly to prevent movement. To enhance the portability, the tool can be mounted to a piece of 12.5 mm or thicker plywood which can then be clamped to your work support or moved to other job sites and re-clamped.
- When mounting your saw to a piece of plywood, make sure that the mounting screws do not protrude from the bottom of the wood. The plywood must sit flush on the work support. When clamping the saw to any work surface, clamp only on the clamping bosses where the mounting screw holes are located. Clamping at any other point will interfere with the proper operation of the saw.

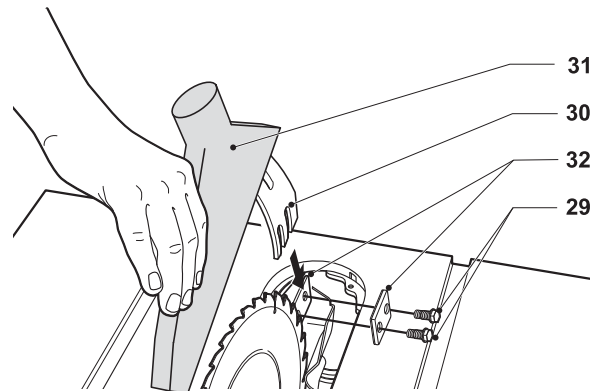
D



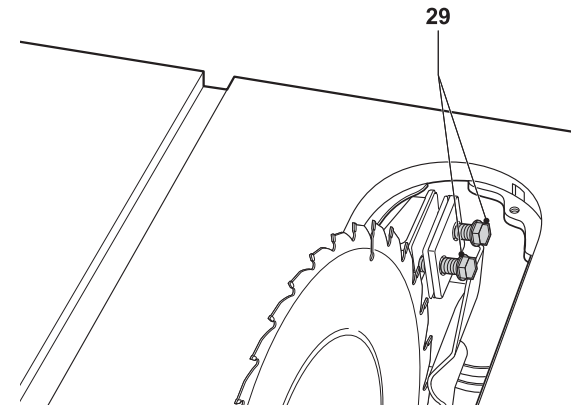
E



F



G



- To prevent binding and inaccuracy, be sure the mounting surface is not warped or otherwise uneven. If the saw rocks on the surface, place a thin piece of material under one saw foot until the saw is firm on the mounting surface.

⚠ WARNING: The mounting surface must have a 350 x 500 mm opening to allow dust to escape.

Rail Lock Adjustment (fig. A1, J)

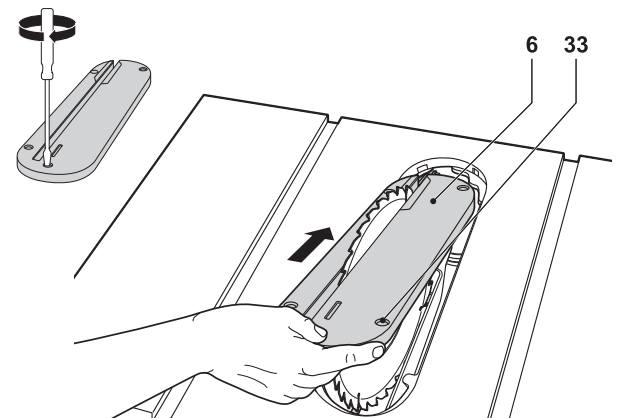
The rail lock has been factory-set. If you need to re-adjust, proceed as follows:

1. Lock the lock lever (12) by pushing it down (fig. A1).
2. Adjust the nut (34) on the underside of your saw until the gap between the Belleville washers (35) closes (fig. J).
3. Once the Belleville washers are almost touching, loosen the nut (34) half a turn.

Bevel Stop and Pointer Adjustment (fig. K1, K2)

1. Raise the blade to its maximum by rotating the blade height adjustment wheel (10) clockwise (fig. K1).
2. Unlock the bevel lock lever (11) by pushing it up and to the right.
3. Loosen the bevel stop screw (36).

H



- Place a set square (37) on the table and up against the blade (38) (fig. K2).
- Adjust the bevel angle using the bevel lock lever (11) until the blade is flat against the square.
- Tighten the bevel lock lever (11).
- Turn the bevel stop cam (39) until it firmly contacts the bearing block (fig. K1).
- Check the bevel angle scale. If adjustment is required, loosen the pointer screw (40) and set the pointer to 0°.
- Tighten the pointer screw (40).
- Repeat the procedure at 45° for the 45° bevel stop, but do not adjust the pointer.

Mitre Gauge Adjustment (fig. A3, L)

Your mitre gauge (3) is equipped with adjustable stops at 90° and 45°. To adjust these stops, loosen the lock nuts (41) and set the adjusting screws (42) as required.

Adjusting the Fence Parallel to the Blade (fig. A1)

(BLADE PARALLEL TO FENCE)

If you experience fence alignment problems and want to correct an out of parallel between the fence and the blade, be sure to check the alignment of the blade to the miter slot first. After confirming that those elements are aligned, proceed with alignment of the blade to the fence using the following procedure:

- Unlock the rail lock lever (12) and locate the two fence locator screws (19) that support the fence on the front and rear rails.
- Loosen the rear locator screw and adjust the position of the fence in the groove on the fence until it sets the fence face parallel to the blade. Make sure you measure from the fence face to the front and back of the blade to ensure alignment.
- Tighten the locator screw and repeat on the left side of the blade.
- Check rip scale pointer adjustment.

INSTRUCTIONS FOR USE

⚠ WARNING:

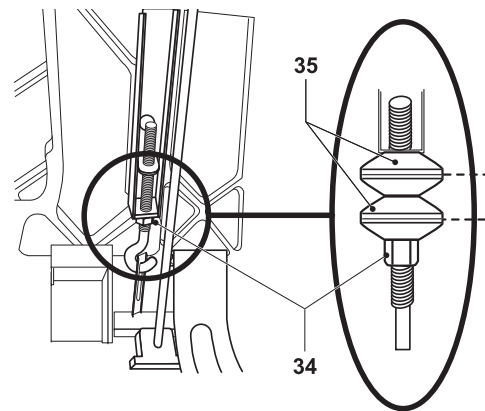
- Always observe the safety instructions and applicable regulations.
- Install the appropriate saw blade. Do not use excessively worn blades. The maximum rotation speed of the tool must not exceed that of the saw blade.
- Do not attempt to cut excessively small pieces.
- Allow the blade to cut freely. Do not force.
- Allow the motor to reach full speed before cutting.
- Make sure all locking knobs and clamp handles are tight.
- Never place either hand in the blade area when the saw is connected to the electrical power source.
- Never use your saw for freehand cuts!
- Do not saw warped, bowed or cupped workpieces. There must be at least one straight, smooth side to go against the rip fence or mitre fence.
- Always support long workpieces to prevent kickback.
- Do not remove any off-cuts from the blade area while the blade is running.

The attention of UK users is drawn to the "woodworking machines regulations 1974" and any subsequent amendments.

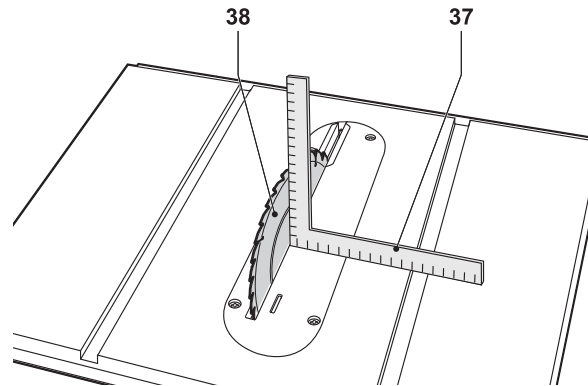
Switching on and off (fig. A1)

The on/off switch of your saw bench offers multiple advantages:

J



K2



- No-volt Release Function:** should the power be shut off for any reason, the switch has to be deliberately reactivated.
- Extra Safety:** the hinged safety enclosure plate can be locked by passing a padlock through the centre hasp. The plate also serves as an "easy to locate" emergency stop button as pressure on the front of the plate will depress the stop button.

To switch the machine on, press the green start button.

To switch the machine off, press the red stop button.

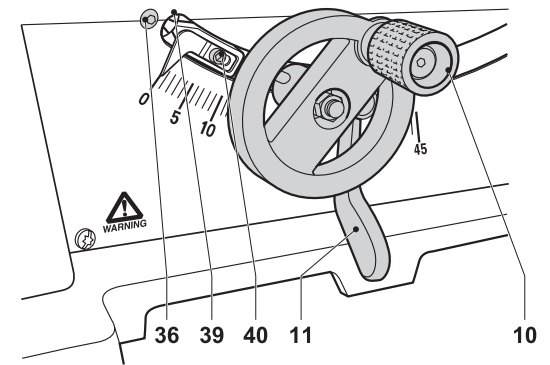
BASIC SAW CUTS

Ripping (fig. A1, A2, M1, M2)

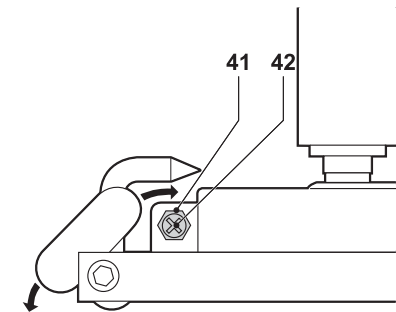
⚠ WARNING: Sharp edges.

- Set the blade to 0°.
- Lock the rip fence (7) (fig. A1).
- Raise the blade until it is about 3.2 mm higher than the top of the workpiece.
- Hold the workpiece flat on the table and against the fence. Keep the workpiece approx. 25 mm away from the blade.

K1



L



⚠ WARNING: Keep both hands away from the path of the blade (fig. M2).

- Press the green button to switch ON and allow the blade to reach full speed.
- Slowly feed the workpiece underneath the guard, keeping it firmly pressed against the rip fence. Allow the teeth to cut, and do not force the workpiece through the blade. The blade speed should be kept constant.
- Always use a push stick (43) when close to the blade (fig. M1).
- After completing the cut, switch the saw OFF, allow the blade to stop and remove the workpiece.

⚠ WARNING:

- Never push or hold the "free" or cut-off-side of the workpiece.
- Do not cut excessively small workpieces.
- Always use a push stick when ripping small workpieces.

Bevel Cuts

- Set the required bevel angle (refer to the section "Adjusting the rip scale").
- Proceed as for ripping.

Cross-cutting and Bevel Cross-cutting

1. Remove the rip fence and install the mitre gauge in the desired slot.
2. Lock the mitre gauge at 0°.
3. Proceed as for ripping.

Mitre Cuts (fig. A1)

1. Set the mitre gauge to the required angle.
2. Always hold the workpiece tightly against the face of the mitre gauge.
3. Proceed as for ripping.

Compound Mitre

This cut is a combination of a mitre and a bevel cut.

1. Set the bevel to the angle required.
2. Proceed as for a cross-cut mitre.

Support for Long Pieces

Always support long pieces.

Support long workpieces using any convenient means such as saw-horses or similar devices to keep the ends from dropping.

Dust Extraction (fig. A2)

The machine is provided with dust extraction outlets (5, 14). An adaptor is provided for outlet (14).

⚠ WARNING:

- Connect a suitable dust extraction device during all sawing operations.
- Whenever possible, connect a dust extraction device designed in accordance with the relevant regulations regarding dust emission.

Transporting (fig. A1)

- Always carry the machine at the hand indentations.

⚠ WARNING: Always transport the machine with the upper blade guard fitted.

MAINTENANCE

Your DEWALT machine has been designed to operate over a long period of time with a minimum of maintenance. Continuous satisfactory operation depends upon proper tool care and regular cleaning.

Lubrication (fig. N)

The motor and bearings require no additional lubrication. If raising and lowering the blade becomes difficult, clean and grease the height adjustment screws:

1. Turn the saw on its side.
2. Clean and grease the height adjustment threads as shown in figure N. Use general purpose grease.

Cleaning

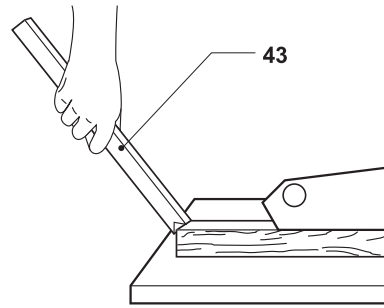
⚠ WARNING: To reduce the risk of serious personal injury, turn unit off and disconnect machine from power source before cleaning. An accidental start-up can cause injury.

To maintain correct operation of your saw, clean the table insert area regularly. Remove saw dust, chips and any other debris. If using compressed air, always wear approved eye protection.

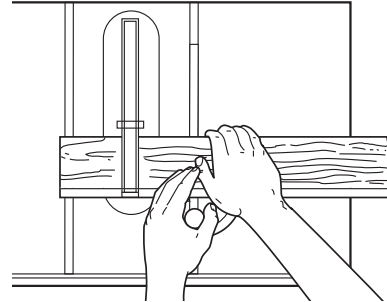
Regularly clean the dust collection system:

1. Turn the saw on its side.
2. Remove the screws (44) (fig. O).
3. Remove all dust and resecure the access door (45) using the screws (fig. O).

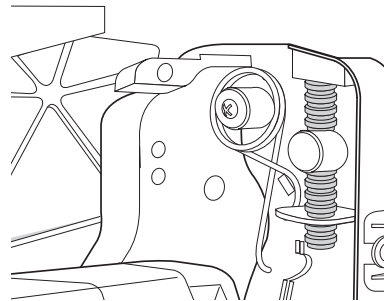
M1



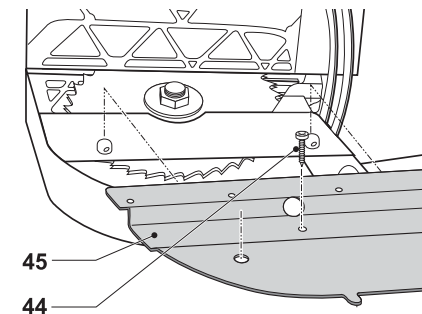
M2



N



O



IMPORTANT: The guard and throat plate must be placed in position before operating the saw.

Accessories

⚠ WARNING: Since accessories, other than those offered by DEWALT, have not been tested with this product, use of such accessories with this tool could be hazardous. To reduce the risk of injury, only DEWALT recommended accessories should be used with this product.

Recommended accessories for use with your tool are available at extra cost from your local service center. If you need any assistance in locating any accessory, please contact Stanley Black & Decker, 82 Taryn Drive, Epping, VIC 3076 Australia or call 1800 444 224 or (NZ) 0800 339 258.

The following attachments are available:

- legstand DE7440

⚠ WARNING: Sharp edges.

Unwanted Tools and the Environment

Take your tool to an authorized DEWALT repair agent where it will be disposed of in an environmentally safe way.

Service Information

Please have the following information available for all service calls:

Model Number _____ Serial Number _____

Date and Place of Purchase _____

Repairs

To assure product SAFETY and RELIABILITY, repairs, maintenance and adjustments should be performed by a DEWALT factory service center, a DEWALT authorized service center or other qualified service personnel. Always use identical replacement parts.

Specifications

	DW744XP-XE	
Voltage	V	220-240
Motor power (input)	W	2000
Motor power (output)	W	1300
No load speed	min ⁻¹	3000
Blade diameter	mm	250
Blade bore	mm	15.88 (5/8")
Depth of cut at 90°	mm	77
Depth of cut at 45°	mm	56
Ripping capacity	mm	610
Overall dimensions	mm	570 x 700 x 410
Weight	kg	29
L _{pa} (sound pressure)	db(A)	91
L _{wa} (sound pressure)	db(A)	104

- at operator's ear

Stanley Black & Decker

701 East Joppa Road, Baltimore, MD 21286 • 82 Taryn Drive, Epping, VIC 3076 Australia
(FEB11) Part No. N108804 DW744XP-XE Copyright © 2008, 2011 DEWALT

The following are trademarks for one or more DEWALT power tools: the yellow and black color scheme; the "D" shaped air intake grill; the array of pyramids on the handgrip; the kit box configuration; and the array of lozenge-shaped humps on the surface of the tool.