
DEWALT®

XR LI-ION

www.**DEWALT**.com

DCS331
DCS332

English (*original instructions*)

6

简体中文

18

Figure 1

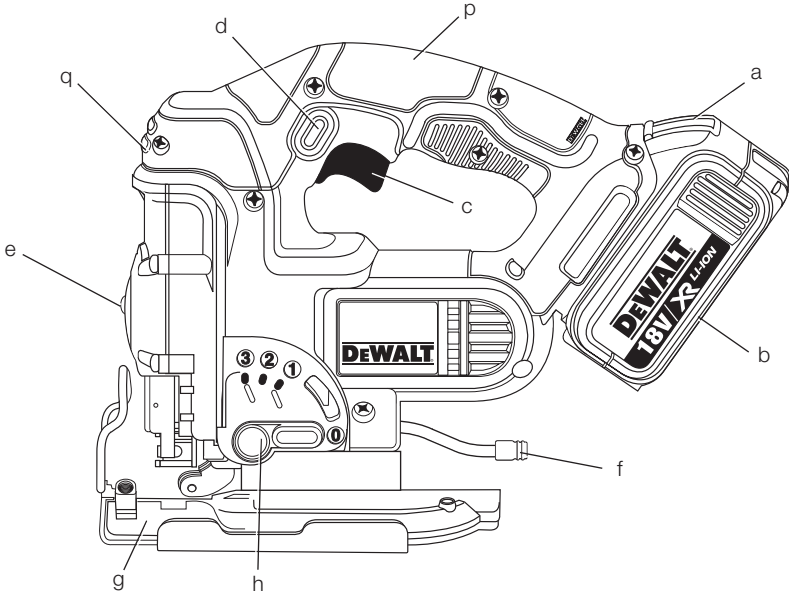


Figure 2

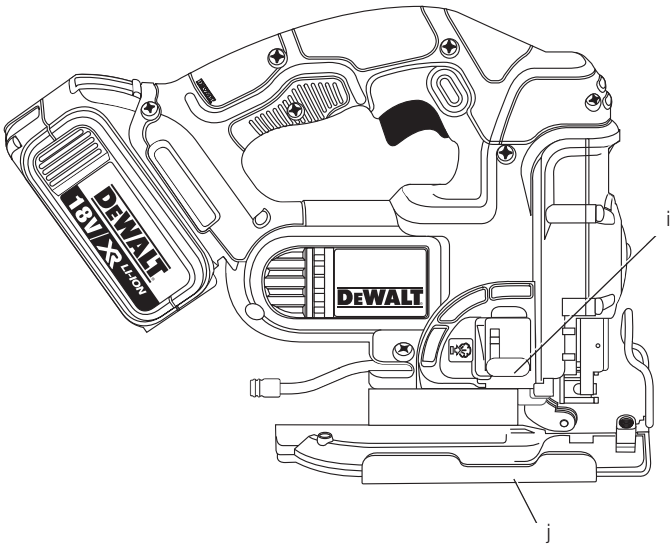


Figure 3

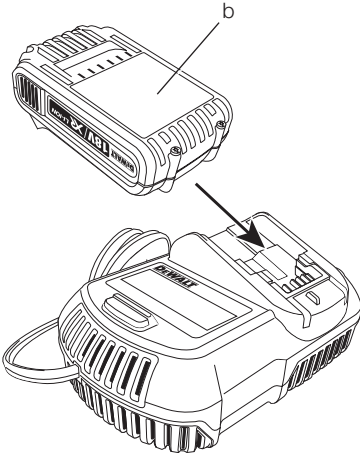


Figure 4

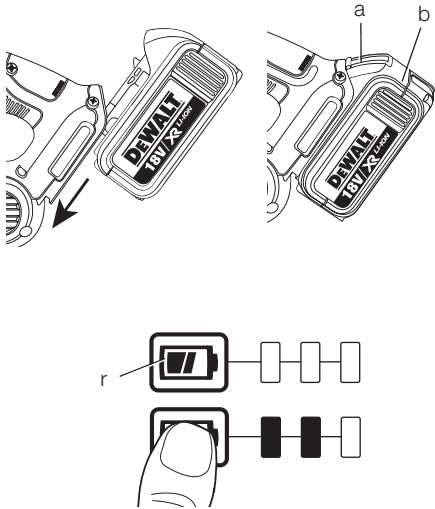


Figure 5

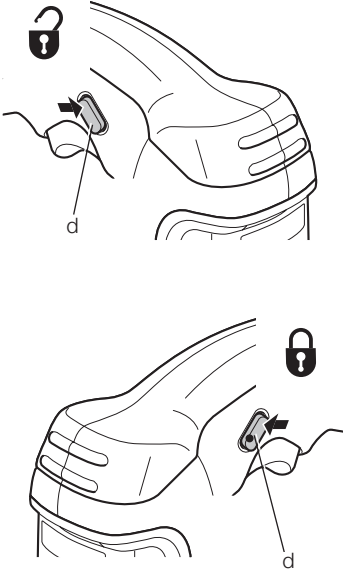


Figure 6

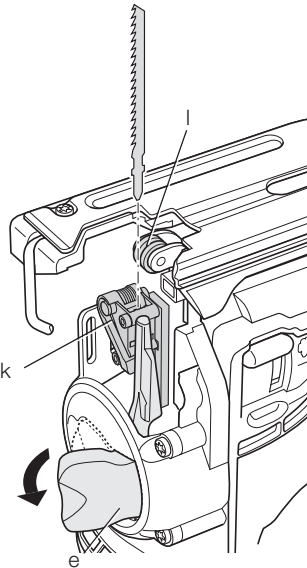


Figure 7

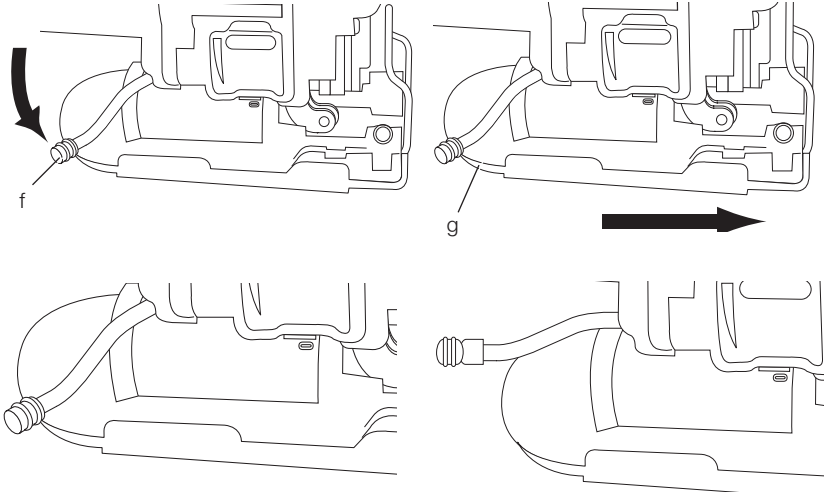


Figure 8

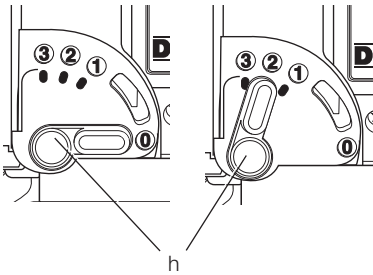


Figure 9

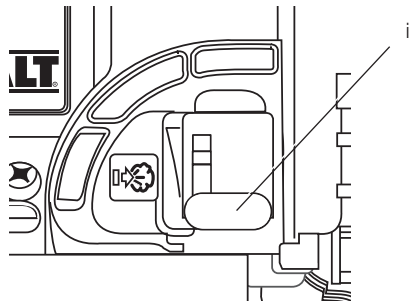


Figure 10

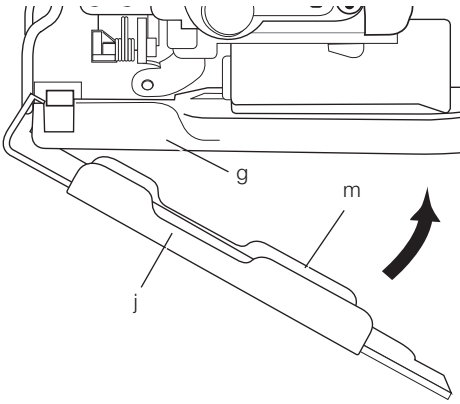


Figure 11

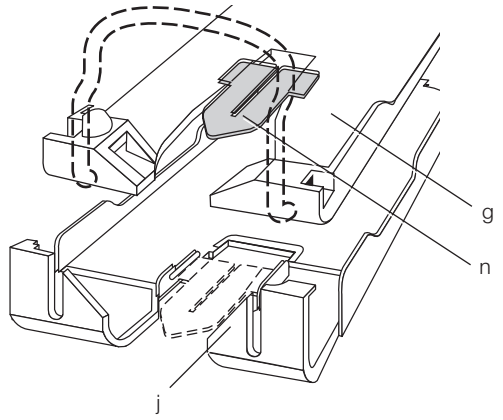


Figure 12

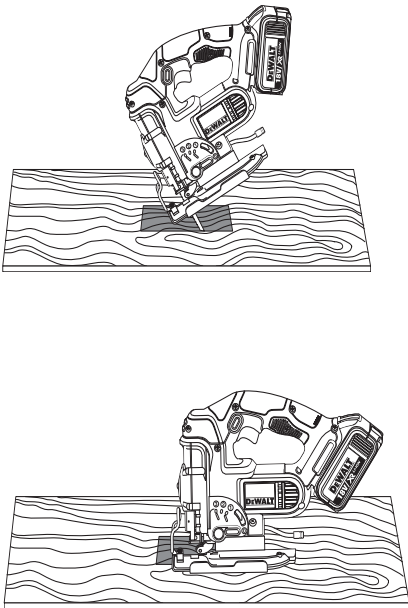


Figure 13

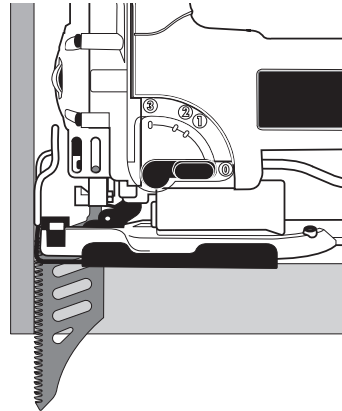
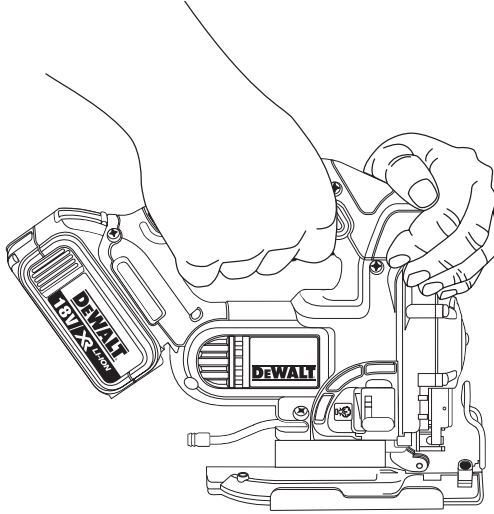


Figure 14



CORDLESS JIGSAW

DCS331, DCS332

Congratulations!

You have chosen a DEWALT tool. Years of experience, thorough product development and innovation make DEWALT one of the most reliable partners for professional power tool users.

Technical Data

		DCS332	DCS331
Voltage	V_{DC}	14.4	18
Type		1	1
Battery Type		Li-Ion	Li-Ion
No-load speed	min^{-1}	0–2500	0–3000
Stroke length	mm	26	26
Cutting depth in:			
– wood	mm	135	135
– aluminum	mm	25	25
– steel	mm	10	10
Bevel angle adjustment (l/r)	°	0–45	0–45
Weight (without battery pack)	kg	2.4	2.4
L_{PA} (sound pressure)	dB(A)	89	89
K_{PA} (sound pressure uncertainty)	dB(A)	3.0	3.0
L_{WA} (sound power)	dB(A)	100	100
K_{WA} (sound power uncertainty)	dB(A)	3.0	3.0

Vibration total values (triax vector sum) determined according to EN 60745:

Vibration emission value a_{h1}			
While cutting board			
$a_{h,B} =$	m/s^2	10.5	10.5
Uncertainty K =	m/s^2	3.0	3.0
Vibration emission value a_{h1}			
While cutting sheet metal			
$a_{h,M} =$	m/s^2	5.5	5.5
Uncertainty K =	m/s^2	1.5	1.5

The vibration emission level given in this information sheet has been measured in accordance with a standardised test given in EN 60745 and may be used to compare one tool with another. It may be used for a preliminary assessment of exposure.



WARNING: The declared vibration emission level represents the main applications of the tool. However if the tool is used for different applications, with different accessories or poorly maintained, the vibration emission may differ. This may significantly increase the exposure level over the total working period.

An estimation of the level of exposure to vibration should also take into account the times when the tool is switched off or when it is running but not actually doing the job. This may significantly reduce the exposure level over the total working period.

Identify additional safety measures to protect the operator from the effects of vibration such as: maintain the tool and the accessories, keep the hands warm, organisation of work patterns.

Battery pack	DCB140	DCB141	DCB142
Battery type	Li-Ion	Li-Ion	Li-Ion
Voltage	V_{DC} 14.4	14.4	14.4
Capacity	A_h 3.0	1.5	4.0
Weight	kg 0.53	0.30	0.54

Battery pack	DCB180	DCB181	DCB182
Battery type	Li-Ion	Li-Ion	Li-Ion
Voltage	V_{DC} 18	18	18
Capacity	A_h 3.0	1.5	4.0
Weight	kg 0.64	0.35	0.61

Charger	DCB105		
Mains voltage	V_{AC}	230 V	
Battery type	Li-Ion		
Approx. charging time	min	30 (1.5 Ah battery packs)	55 (3.0 Ah battery packs)
		70 (4.0 Ah battery packs)	
Weight	kg	0.49	

Definitions: Safety Guidelines

The definitions below describe the level of severity for each signal word. Please read the manual and pay attention to these symbols.



DANGER: Indicates an imminently hazardous situation which, if not avoided, **will** result in **death or serious injury**.



WARNING: Indicates a potentially hazardous situation which, if not avoided, **could** result in **death or serious injury**.



CAUTION: Indicates a potentially hazardous situation which, if not avoided, **may** result in **minor or moderate injury**.

NOTICE: Indicates a practice **not related to personal injury** which, if not avoided, **may** result in **property damage**.



Denotes risk of electric shock.



Denotes risk of fire.



WARNING: To reduce the risk of injury, read the instruction manual.

General Power Tool Safety Warnings



WARNING! Read all safety warnings and instructions Failure to follow the warnings and instructions may result in electric shock, fire and/or serious injury.

SAVE ALL WARNINGS AND INSTRUCTIONS FOR FUTURE REFERENCE

The term "power tool" in the warnings refers to your mains-operated (corded) power tool or battery-operated (cordless) power tool.

1) WORK AREA SAFETY

- Keep work area clean and well lit.** Cluttered or dark areas invite accidents.
- Do not operate power tools in explosive atmospheres, such as in the presence of flammable liquids, gases or dust.** Power tools create sparks which may ignite the dust or fumes.
- Keep children and bystanders away while operating a power tool.** Distractions can cause you to lose control.

2) ELECTRICAL SAFETY

- Power tool plugs must match the outlet. Never modify the plug in any way. Do not use any adapter plugs with earthed (grounded) power tools.** Unmodified plugs and matching outlets will reduce risk of electric shock.
- Avoid body contact with earthed or grounded surfaces such as pipes, radiators, ranges and refrigerators.** There is an increased risk of electric shock if your body is earthed or grounded.
- Do not expose power tools to rain or wet conditions.** Water entering a power tool will increase the risk of electric shock.
- Do not abuse the cord. Never use the cord for carrying, pulling or unplugging the power tool. Keep cord away from heat, oil, sharp edges or moving parts.** Damaged or entangled cords increase the risk of electric shock.
- When operating a power tool outdoors, use an extension cord suitable for outdoor use.** Use of a cord suitable for outdoor use reduces the risk of electric shock.
- If operating a power tool in a damp location is unavoidable, use a residual current device (RCD) protected supply.** Use of an RCD reduces the risk of electric shock.

3) PERSONAL SAFETY

- Stay alert, watch what you are doing and use common sense when operating a power tool. Do not use a power tool while you are tired or under the influence of drugs, alcohol or medication.** A moment of inattention while operating power tools may result in serious personal injury.
- Use personal protective equipment. Always wear eye protection.** Protective equipment such as dust mask, non-skid safety shoes, hard hat, or hearing protection used for appropriate conditions will reduce personal injuries.
- Prevent unintentional starting. Ensure the switch is in the off position before connecting to power source and/or battery pack, picking up or carrying the tool.** Carrying power tools with your finger on the switch or energising power tools that have the switch on invites accidents.
- Remove any adjusting key or wrench before turning the power tool on.** A wrench or a key left attached to a rotating part of the power tool may result in personal injury.

- e) **Do not overreach. Keep proper footing and balance at all times.** This enables better control of the power tool in unexpected situations.
- f) **Dress properly. Do not wear loose clothing or jewellery. Keep your hair, clothing and gloves away from moving parts.** Loose clothes, jewellery or long hair can be caught in moving parts.
- g) **If devices are provided for the connection of dust extraction and collection facilities, ensure these are connected and properly used.** Use of dust collection can reduce dust-related hazards.

4) POWER TOOL USE AND CARE

- a) **Do not force the power tool. Use the correct power tool for your application.** The correct power tool will do the job better and safer at the rate for which it was designed.
- b) **Do not use the power tool if the switch does not turn it on and off.** Any power tool that cannot be controlled with the switch is dangerous and must be repaired.
- c) **Disconnect the plug from the power source and/or the battery pack from the power tool before making any adjustments, changing accessories, or storing power tools.** Such preventive safety measures reduce the risk of starting the power tool accidentally.
- d) **Store idle power tools out of the reach of children and do not allow persons unfamiliar with the power tool or these instructions to operate the power tool.** Power tools are dangerous in the hands of untrained users.
- e) **Maintain power tools. Check for misalignment or binding of moving parts, breakage of parts and any other condition that may affect the power tool's operation. If damaged, have the power tool repaired before use.** Many accidents are caused by poorly maintained power tools.
- f) **Keep cutting tools sharp and clean.** Properly maintained cutting tools with sharp cutting edges are less likely to bind and are easier to control.
- g) **Use the power tool, accessories and tool bits etc., in accordance with these instructions taking into account the working conditions and the work to be performed.** Use of the power tool for operations different from those intended could result in a hazardous situation.

5) BATTERY TOOL USE AND CARE

- a) **Recharge only with the charger specified by the manufacturer.** A charger that is suitable for one type of battery pack may create a risk of fire when used with another battery pack.
- b) **Use power tools only with specifically designated battery packs.** Use of any other battery packs may create a risk of injury and fire.
- c) **When battery pack is not in use, keep it away from other metal objects like paper clips, coins, keys, nails, screws or other small metal objects that can make a connection from one terminal to another.** Shorting the battery terminals together may cause burns or a fire.
- d) **Under abusive conditions, liquid may be ejected from the battery, avoid contact. If contact accidentally occurs, flush with water. If liquid contacts eyes, additionally seek medical help.** Liquid ejected from the battery may cause irritation or burns.

6) SERVICE

- a) **Have your power tool serviced by a qualified repair person using only identical replacement parts.** This will ensure that the safety of the power tool is maintained.

Additional Safety Rules for Jigsaws

- **Hold power tool by insulated gripping surfaces when performing an operation where the cutting tool may contact hidden wiring.** Contact with a "live" wire will make exposed metal parts of the tool "live" and shock the operator.
- **Use clamps or another practical way to secure and support the workpiece to a stable platform.** Holding the work by hand or against your body leaves it unstable and may lead to loss of control.
- **Allow the motor to come to a complete stop before withdrawing the blade from the kerf (the slot created by cutting).** A moving blade may impact the workpiece causing a broken blade, workpiece damage or loss of control and possible personal injury.
- **Keep handles dry, clean, free from oil and grease.** This will enable better control of the tool.
- **Keep blades sharp.** Dull blades may cause the saw to swerve or stall under pressure.
- **Clean out your tool often, especially after**

heavy use. Dust and grit containing metal particles often accumulate on interior surfaces and could create an electric shock hazard.

- **Do not operate this tool for long periods of time.** *Vibration caused by the operating action of this tool may cause permanent injury to fingers, hands, and arms. Use gloves to provide extra cushion, take frequent rest periods, and limit daily time of use.*

Residual Risks

- *In spite of the application of the relevant safety regulations and the implementation of safety devices, certain residual risks cannot be avoided. These are:*
 - *Impairment of hearing.*
 - *Risk of accidents caused by the uncovered parts of the moving saw blade.*
 - *Risk of injury when changing the blade.*
 - *Risk of dust inhalation from materials that when cut, can be harmful.*

Markings on Tool

The following pictograms are shown on the tool:



Read instruction manual before use.

DATE CODE POSITION

The Date Code, which also includes the year of manufacture, is printed into the housing surface that forms the mounting joint between tool and battery.

Example:

2012 XX XX

Year of Manufacture

Important Safety Instructions for All Battery Chargers

SAVE THESE INSTRUCTIONS: *This manual contains important safety and operating instructions for the DCB105 battery charger.*

- *Before using the charger, read all instructions and cautionary markings on charger, battery pack and product using the battery pack.*



WARNING: *Shock hazard. Do not allow any liquid to get inside charger. Electric shock may result.*



CAUTION: *Burn hazard. To reduce the risk of injury, charge only DEWALT rechargeable battery packs. Other types*

of batteries may overheat and burst resulting in personal injury and property damage.



CAUTION: *Children should be supervised to ensure that they do not play with the appliance.*

NOTICE: *Under certain conditions, with the charger plugged in to the power supply, the exposed charging contacts inside the charger can be shorted by foreign material. Foreign materials of a conductive nature such as, but not limited to, steel wool, aluminum foil or any buildup of metallic particles should be kept away from charger cavities. Always unplug the charger from the power supply when there is no battery pack in the cavity. Unplug charger before attempting to clean.*

- **DO NOT attempt to charge the battery pack with any chargers other than the ones in this manual.** *The charger and battery pack are specifically designed to work together.*
- **These chargers are not intended for any uses other than charging DEWALT rechargeable batteries.** *Any other uses may result in risk of fire, electric shock or electrocution.*
- **Do not expose charger to rain or snow.**
- **Pull by plug rather than cord when disconnecting charger.** *This will reduce risk of damage to electric plug and cord.*
- **Make sure that cord is located so that it will not be stepped on, tripped over or otherwise subjected to damage or stress.**
- **Do not use an extension cord unless it is absolutely necessary.** *Use of improper extension cord could result in risk of fire, electric shock or electrocution.*
- **When operating a charger outdoors, always provide a dry location and use an extension cord suitable for outdoor use.** *Use of a cord suitable for outdoor use reduces the risk of electric shock.*
- **Do not block the ventilation slots on the charger. The ventilation slots are located on the top and sides of the charger.** *Place the charger in a position away from any heat source.*
- **Do not operate charger with damaged cord or plug** — *have them replaced immediately.*
- **Do not operate charger if it has received a sharp blow, been dropped or otherwise**

damaged in any way. Take it to an authorised service centre.

- **Do not disassemble the charger; take it to an authorised service centre when service or repair is required.** *Incorrect reassembly may result in a risk of electric shock, electrocution or fire.*
- *In case of damaged power supply cord the supply cord must be replaced immediately by the manufacturer, its service agent or similar qualified person to prevent any hazard.*
- **Disconnect the charger from the outlet before attempting any cleaning. This will reduce the risk of electric shock.** *Removing the battery pack will not reduce this risk.*
- **NEVER attempt to connect 2 chargers together.**
- **The charger is designed to operate on standard 230 V household electrical power. Do not attempt to use it on any other voltage.** *This does not apply to the vehicular charger.*

SAVE THESE INSTRUCTIONS

Chargers

The DCB105 charger accepts 10.8 V, 14.4 V and 18 V Li-Ion (DCB121, DCB123, DCB140, DCB141, DCB142, DCB180, DCB181 and DCB182) battery packs

This charger requires no adjustment and is designed to be as easy as possible to operate.





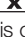
Charging Procedure (fig. 3)

1. Plug the charger into an appropriate 230 V outlet before inserting the battery pack.
2. Insert the battery pack (b) into the charger, making sure the pack is fully seated in the charger. The red (charging) light will blink continuously indicating that the charging process has started.
3. The completion of charge will be indicated by the red light remaining ON continuously. The pack is fully charged and may be used at this time or left in the charger.

NOTE: To ensure maximum performance and life of Li-Ion batteries, charge the battery pack fully before first use.

Charging Process

Refer to the table below for the state of charge of the battery pack.

State of charge	
	charging — — — —
	fully charged —————
	hot/cold pack delay — • — • — • — •
	problem pack or charger ••••••••••••
	problem powerline •• •• •• •• •• ••

This charger will not charge a faulty battery pack. The charger will indicate faulty battery by refusing to light or by displaying problem pack or charger blink pattern.

NOTE: This could also mean a problem with a charger.

If the charger indicates a problem, take the charger and battery pack to be tested at an authorised service centre.

Hot/Cold Pack Delay

When the charger detects a battery that is too hot or too cold, it automatically starts a hot/cold pack delay, suspending charging until the battery has reached an appropriate temperature. The charger then automatically switches to the pack charging mode. This feature ensures maximum battery life.

XR Li-Ion tools are designed with an Electronic Protection System that will protect the battery against overloading, overheating or deep discharge.

The tool will automatically turn off if the Electronic Protection System engages. If this occurs, place the Li-Ion battery on the charger until it is fully charged.

A cold battery pack will charge at about half the rate of a warm battery pack. The battery pack will charge at that slower rate throughout the entire charging cycle and will not return to maximum charge rate even if the battery warms.

Important Safety Instructions for All Battery Packs

When ordering replacement battery packs, be sure to include the catalog number and voltage.

The battery pack is not fully charged out of the carton. Before using the battery pack and charger, read the safety instructions below and then follow the charging procedures outlined.

READ ALL INSTRUCTIONS

- **Do not charge or use the battery pack in explosive atmospheres, such as in the presence of flammable liquids, gases or dust.** *Inserting or removing the battery pack from the charger may ignite the dust or fumes.*
- **Never force the battery pack into charger.**

Do not modify the battery pack in any way to fit into a non-compatible charger as battery pack may rupture causing serious personal injury.

- Charge the battery packs only in designated DEWALT chargers.
- **DO NOT** splash or immerse in water or other liquids.
- **Do not store or use the tool and battery pack in locations where the temperature may reach or exceed 40 °C (105 °F) (such as outside sheds or metal buildings in summer).**
- For best results, make sure the battery pack is fully charged before use.



WARNING: Never attempt to open the battery pack for any reason. If the battery pack case is cracked or damaged, do not insert it into the charger. Do not crush, drop or damage battery pack. Do not use a battery pack or charger that has received a sharp blow, been dropped, run over or damaged in any way (e.g., pierced with a nail, hit with a hammer, stepped on). Electric shock or electrocution may result. Damaged battery packs should be returned to the service centre for recycling.



CAUTION: When not in use, place tool on its side on a stable surface where it will not cause a tripping or falling hazard. Some tools with large battery packs will stand upright on the battery pack but may be easily knocked over.

SPECIFIC SAFETY INSTRUCTIONS FOR LITHIUM ION (Li-Ion)

- **Do not incinerate the battery pack even if it is severely damaged or is completely worn out.** The battery pack can explode in a fire. Toxic fumes and materials are created when lithium ion battery packs are burned.
- **If battery contents come into contact with the skin, immediately wash the area with mild soap and water.** If the battery liquid gets into the eye, rinse water over the open eye for 15 minutes or until irritation ceases. If medical attention is needed, the battery electrolyte is composed of a mixture of liquid organic carbonates and lithium salts.
- **Contents of opened battery cells may cause respiratory irritation.** Provide fresh air. If symptoms persists, seek medical attention.



WARNING: Burn hazard. Battery liquid may be flammable if exposed to spark or flame.

Battery Pack

BATTERY TYPE

The DCS332 operates on an 14.4 volt battery pack.

The DCS331 operates on an 18 volt battery pack.

The DCB140, DCB141, DCB142, DCB180, DCB181 or DCB182 battery packs may be used. Refer to **Technical Data** for more information.

Storage Recommendations

1. The best storage place is one that is cool and dry away from direct sunlight and excess heat or cold. For optimum battery performance and life, store battery packs at room temperature when not in use.
2. For long storage, it is recommended to store a fully charged battery pack in a cool, dry place out of the charger for optimal results.

NOTE: Battery packs should not be stored completely depleted of charge. The battery pack will need to be recharged before use.

Labels on Charger and Battery Pack

In addition to the pictographs used in this manual, the labels on the charger and the battery pack show the following pictographs:



Read instruction manual before use.



Charging.



Fully charged.



Hot/cold pack delay.



Problem pack or charger.



Problem powerline.



Do not probe with conductive objects.



Do not charge damaged battery packs.



Use only with DEWALT battery packs. Others may burst, causing personal injury and damage.



Do not expose to water.



Have defective cords replaced immediately.



Charge only between 4 °C and 40 °C.



Discard the battery pack with due care for the environment.



Do not incinerate the battery pack.



Li-Ion Charges Li-Ion battery packs.



See **Technical Data** for charging time.



Only for indoor use.

Package Contents

- 1 Cordless jigsaw
- 1 Anti-scratch shoe cover
- 1 Dust port
- 2 Batteries
- 1 Charger
- 1 Instruction manual
- 1 Exploded drawing

NOTE: Battery packs, chargers and kitboxes are not included with N-models.

- *Check for damage to the tool, parts or accessories which may have occurred during transport.*
- *Take the time to thoroughly read and understand this manual prior to operation.*

Description (fig. 1, 2, 6, 10, 11)



WARNING: Never modify the power tool or any part of it. Damage or personal injury could result.

- a. Battery release button
- b. Battery pack
- c. Trigger switch
- d. Trigger lock button

- e. Blade release lever
- f. Bevel lever
- g. Shoe
- h. Orbital action lever
- i. Dust blower control
- j. Anti-scratch shoe cover
- k. Clamp Mechanism
- l. Guide Roller
- m. Rear Tab
- n. Anti-Splinter Insert
- p. Main Handle
- q. Top Handle

INTENDED USE

Your DCS332 and DCS331 jig saws are designed for professional cutting of wood, steel, aluminium, plastic and ceramic material at various work sites (i.e., construction sites).

DO NOT use under wet conditions or in presence of flammable liquids or gases.

These heavy-duty jigsaws are professional power tools.

DO NOT let children come into contact with the tool. Supervision is required when inexperienced operators use this tool.

- This product is not intended for use by persons (including children) suffering from diminished physical, sensory or mental abilities; lack of experience, knowledge or skills unless they are supervised by a person responsible for their safety. Children should never be left alone with this product.

Electrical Safety

The electric motor has been designed for one voltage only. Always check that the battery pack voltage corresponds to the voltage on the rating plate. Also make sure that the voltage of your charger corresponds to that of your mains.



Your DEWALT charger is double insulated in accordance with EN 60335; therefore no earth wire is required.

If the supply cord is damaged, it must be replaced by a specially prepared cord available through the DEWALT service organisation.

Using an Extension Cable

An extension cord should not be used unless absolutely necessary. Use an approved extension cable suitable for the power input of your charger

(see **Technical Data**). The minimum conductor size is 1 mm²; the maximum length is 30 m.

When using a cable reel, always unwind the cable completely.

ASSEMBLY AND ADJUSTMENT



WARNING: To reduce the risk of serious personal injury, depress the trigger lock button and disconnect battery pack before making any adjustments or removing/installing attachments or accessories. An accidental start-up can cause injury.



WARNING: Use only DEWALT battery packs and chargers.

Inserting and Removing the Battery Pack from the Tool (fig. 4)

NOTE: For best results, make sure your battery pack is fully charged. The light will shut off without warning when the battery is fully discharged.

TO INSTALL THE BATTERY PACK INTO THE TOOL HANDLE

1. Align the battery pack (b) with the rails inside the tool's handle (fig. 4).
2. Slide it into the handle until the battery pack is firmly seated in the tool and ensure that it does not disengage.

TO REMOVE THE BATTERY PACK FROM THE TOOL

1. Press the battery release button (a) and firmly pull the battery pack out of the tool handle.
2. Insert battery pack into the charger as described in the charger section of this manual.

FUEL GAUGE BATTERY PACKS (FIG. 4)

Some DEWALT battery packs include a fuel gauge which consists of three green LED lights that indicate the level of charge remaining in the battery pack.

To actuate the fuel gauge, press and hold the fuel gauge button (r). A combination of the three green LED lights will illuminate designating the level of charge left. When the level of charge in the battery is below the usable limit, the fuel gauge will not illuminate and the battery will need to be recharged.

NOTE: The fuel gauge is only an indication of the charge left on the battery pack. It does not indicate tool functionality and is subject to variation based on product components, temperature and end-user application.

Blade Installation and Removal (fig. 6)

TO INSTALL A BLADE

NOTE: This jig saw uses only T-shank jig saw blades.

NOTE: The DT2074 flush cutting blade is for use with DEWALT DCS331, DCS332, DW331 and DC330 jig saws only.

NOTE: When installing flush cutting blades (DT2074), the anti-splinter insert must be removed and the shoe must be in the 0° positive stop position.

1. Lift the keyless blade release lever (e) as shown in figure 6.
2. Insert the T-shank blade into the clamp mechanism (k) while guiding the back of the blade into the groove of the guide rollers (l).
3. The T-shank should be completely inside the clamp mechanism as shown in Figure 6.
4. Release the keyless blade release lever.

TO REMOVE A BLADE



CAUTION: Do not touch used blades, they may be hot. Personal injury may result.

1. Lift the keyless blade release lever (e).
2. With a slight shake the blade will drop out.

Beveling the Shoe (fig. 7)

To unlock the shoe, pull the keyless bevel lever (f) to the side.

To lock the shoe, push the keyless bevel lever back under the body of the jigsaw.

TO BEVEL THE SHOE

1. Unlock the shoe.
2. Slide the shoe (g) forward to release it from the 0° positive stop position.
3. The shoe can be beveled to the left or to the right and has detents at 15°, 30° and 45°. The shoe can be manually stopped at any degree between 0° and 45°.
4. Once the desired bevel angle is achieved, lock the shoe into place.

TO SET SHOE BACK TO 0°

1. Unlock the shoe.
2. Rotate the shoe back to 0°.
3. Slide the shoe back into the 0° positive stop position.
4. Lock the shoe.

Cutting Action – Orbital or Straight (fig. 8)

This jig saw is equipped with four cutting actions, three orbital and one straight. Orbital action has a more aggressive blade motion and is designed for cutting in soft materials like wood or plastic. Orbital action provides a faster cut, but with a less smooth cut across the material. In orbital action, the blade moves forward during the cutting stroke in addition to the up and down motion.

NOTE: Metal or hardwoods should never be cut in orbital action.

To adjust the cutting action, move the orbital action lever (h) between the four cutting positions: 0, 1, 2, and 3. Position 0 is straight cutting. Positions 1, 2, and 3 are orbital cutting. The aggressiveness of the cut increase as the lever is adjusted from one to three, with three being the most aggressive cut.

Dust Blower (fig. 9)

The dust blower helps clear the cutting area of debris created from the blade.

NOTE: When cutting metal, turn the dust blower off so cutting fluids are not blown away from the blade.

To turn the dust blower on, slide the dust blower control (i) all the way to the top.

To turn the dust blower off, slide the dust blower control all the way to the bottom.

Removeable Anti-Scratch Shoe Cover (fig. 10)

The anti-scratch shoe cover (j) should be used when cutting surfaces that scratch easily, such as laminate, veneer or paint.

To attach anti-scratch shoe cover (j), place the front of the aluminum shoe (g) into the front of the anti-scratch shoe cover and lower the jig saw. The anti-scratch shoe cover will click securely onto the rear of aluminum shoe.

To remove anti-scratch shoe cover, grasp the anti-scratch shoe cover from the bottom; holding onto the two rear tabs (m) remove the anti-scratch shoe cover.

Anti-Splinter Insert (fig. 11)

NOTE: Do not use the anti-splinter insert with the flush cutting blade.

The anti-splinter insert (n) should be used when trying to minimize tear-out, especially when cutting veneer, laminate, or finished surfaces, such as paint. The anti-splinter insert should be installed into the

anti-scratch shoe cover (j). If the no-mar cover is not used, install anti-splinter insert into shoe (g).

Prior to Operation

- Make sure your battery pack is (fully) charged.

OPERATION



WARNING: To reduce the risk of serious personal injury, depress the trigger lock button and disconnect battery pack before making any adjustments or removing/installing attachments or accessories. An accidental start-up can cause injury.



WARNING: Always wear proper personal hearing protection. Under some conditions and duration of use, noise from this product may contribute to hearing loss.

Instructions for Use



WARNING:

- Always observe the safety instructions and applicable regulations.
- Make sure your workpiece is well secured. Remove nails, screws and other fasteners that may damage the blade.
- Check that there is sufficient space for the blade underneath the workpiece. Do not cut materials that are thicker than the maximum cutting depth.
- Use sharp saw blades only. Damaged or bent saw blades must be removed immediately.
- Never run your tool without a saw blade.
- For optimal results, move the tool smoothly and constantly over the workpiece. Do not exert lateral pressure on the saw blade. Keep the shoe flat on the workpiece. When sawing curves, circles or other round shapes, push the tool gently forward.
- Wait until the tool has come to a standstill before removing the saw blade from the workpiece. After sawing the blade may be very hot. Do not touch.

Proper Hand Position (fig. 1, 14)



WARNING: To reduce the risk of serious personal injury, **ALWAYS** use proper hand position as shown.



WARNING: To reduce the risk of serious personal injury, **ALWAYS** hold securely in anticipation of a sudden reaction.

Proper hand position requires one hand on the top handle (q), with the other hand on the main handle (p).

Trigger Switch (fig. 1)

To start the jig saw, squeeze the trigger switch (c).

To slow and stop the jig saw, release the trigger switch.

VARIABLE SPEED (FIG. 5)

As the trigger switch is pressed in, the strokes-per-minute continue to increase, but not to exceed the maximum speed of the tool. As the trigger is released, the blade strokes-per-minute reduce.

The trigger lock button (d) should be depressed whenever the tool is not in use to eliminate the chance of accidental starting.

Cutting



WARNING: The jig saw should not be operated with the shoe removed or serious personal injury may result.

POCKET CUTTING (FIG. 12)

A pocket cut is an easy method of making an inside cut. The saw can be inserted directly into a panel or board without first drilling a lead or pilot hole. In pocket cutting, measure the surface to be cut and mark clearly with a pencil. Next tip the saw forward until the front end of the shoe sits firmly on the work surface and the blade clears the work through its full stroke. Switch the tool on and allow it to attain maximum speed. Grip the saw firmly and lower the back edge of tool slowly until the blade reaches its complete depth. Hold the shoe flat against the wood and begin cutting. Do not remove blade from cut while it is still moving. Blade must come to a complete stop.

FLUSH CUTTING (FIG. 13)

A flush cut is necessary when finishing off cuts up to a wall or an obstacle, such as back-splash. One of the easiest ways to accomplish the flush cut is to use a flush cutting blade (DT2074). The flush cutting blade provides the reach necessary to cut right up to the front edge of the jig saw shoe. Remove the anti-splinter insert and return the shoe to the 0° positive stop position before installing and using the flush cutting blade. For the best cut quality the flush cutting blade should be used in the 0 or 1 orbital position. The flush cutting blade should not be used to start the cut because the flush cutting blade prevents the shoe from being supported by the work surface. Use wood cutting practices explained below.

WOOD CUTTING

Support the workpiece adequately at all times. Use the higher speed setting for cutting wood. Do not attempt to turn the tool on when blade is against material to be cut. This could stall the motor. Place the front of shoe on the material to be cut and hold the jig saw shoe firmly against the wood while cutting. Don't force the tool; let the blade cut at its own speed. When the cut is complete, turn the jig saw off. Let blade come to a complete stop and then lay the saw aside before loosening the work.

METAL CUTTING

In cutting thin gauge sheet metals, it is best to clamp wood to the bottom of sheet metal; this will insure a clean cut without the risk of vibration or tearing of metal. Always remember to use a finer blade for ferrous metals (for those that have a high iron content); and use a coarser blade for non-ferrous metals (those that do not have an iron content). Use a high speed setting for cutting soft metals (aluminum, copper, brass, mild steel, galvanized pipe, conduit sheet metal, etc.). Use lower speed to cut plastics, tile, laminate, hard metals, and cast iron.

MAINTENANCE

Your DEWALT power tool has been designed to operate over a long period of time with a minimum of maintenance. Continuous satisfactory operation depends upon proper tool care and regular cleaning.



WARNING: To reduce the risk of serious personal injury, depress the trigger lock button and disconnect battery pack before making any adjustments or removing/installing attachments or accessories. An accidental start-up can cause injury.

The charger and battery pack are not serviceable. There are no serviceable parts inside.



Lubrication

LUBRICATING THE GUIDE ROLLER (FIG. 6)

- Apply a drop of oil to the guide roller (l) at regular intervals to prevent jamming.



Cleaning



WARNING: Blow dirt and dust out of the main housing with dry air as often as dirt is seen collecting in and around the air vents. Wear approved eye protection and approved dust mask when performing this procedure.



WARNING: Never use solvents or other harsh chemicals for cleaning the non-metallic parts of the tool. These chemicals may weaken the materials used in these parts. Use a cloth dampened only with water and mild soap. Never let any liquid get inside the tool; never immerse any part of the tool into a liquid.

CHARGER CLEANING INSTRUCTIONS



WARNING: Shock hazard. Disconnect the charger from the AC outlet before cleaning. Dirt and grease may be removed from the exterior of the charger using a cloth or soft non-metallic brush. Do not use water or any cleaning solutions.

Optional Accessories



WARNING: Since accessories, other than those offered by DEWALT, have not been tested with this product, use of such accessories with this tool could be hazardous. To reduce the risk of injury, only DEWALT, recommended accessories should be used with this product.

Consult your dealer for further information on the appropriate accessories.

These include:

- DE3241 Parallel guide
- DE3242 Trammel bar
- 581281-00 Dust extraction adapter
- 581239-01 Dust extraction shroud
- 402140-00 Anti-splinter shoe insert
- 581268-00 Anti-scratch shoe cover

Protecting the Environment



Separate collection. This product must not be disposed of with normal household waste.

Should you find one day that your DEWALT product needs replacement, or if it is of no further use to you,

do not dispose of it with household waste. Make this product available for separate collection.



Separate collection of used products and packaging allows materials to be recycled and used again. Re-use of recycled materials helps prevent environmental pollution and reduces the demand for raw materials.

Local regulations may provide for separate collection of electrical products from the household, at municipal waste sites or by the retailer when you purchase a new product.

DEWALT provides a facility for the collection and recycling of DEWALT products once they have reached the end of their working life. To take advantage of this service please return your product to any authorised repair agent who will collect them on our behalf.

You can check the location of your nearest authorised repair agent by contacting your local DEWALT office at the address indicated in this manual. Alternatively, a list of authorised DEWALT repair agents and full details of our after-sales service and contacts are available on the Internet at: www.2helpU.com.



Rechargeable Battery Pack

This long life battery pack must be recharged when it fails to produce sufficient power on jobs which were easily done before. At the end of its technical life, discard it with due care for our environment:

- Run the battery pack down completely, then remove it from the tool.
- Li-Ion cells are recyclable. Take them to your dealer or a local recycling station. The collected battery packs will be recycled or disposed of properly.

18V锂电充电式曲线锯

DCS331, DCS332

技术参数

		DSC332	DCS331
电压	伏特(直流)	14.4	18
电池类型		锂离子	锂离子
空载转速	转/分	0-2500	0-3000
冲程长度	毫米	26	26
锯切深度:			
- 木材	毫米	135	135
- 铝材	毫米	25	25
- 钢材	毫米	10	10
坡口调节范围 (l/r)		0-45	0-45
重量(不含电池组)	千克	2.4	2.4
LPA(声压)	分贝	89	89
KPA(声压不确定度)	分贝	3.0	3.0
LWA(声压率)	分贝	100	100
KWA(声功率不确定度)	分贝	3.0	3.0
根据EN60745确定振动总值(三轴矢量和):			
振动发射值 ah			
锯切板材时			
ah,B =m/s ²		10.5	10.5
不确定值K=m/s ²		3.0	3.0
振动发射值 ah			
锯切金属薄板材时			
ah,M =m/s ²		5.5	5.5
不确定值K= m/s ²		1.5	1.5

定义：安全准则

下列定义解释了各警示词的严重程度。请仔细阅读本手册，并注意警示符号的出现。



危险：表示存在紧急的危险情况，如果不加以避免，则可能导致死亡或严重伤害。



警告：表示存在潜在的危险情况，如果不加以避免，则可能导致死亡或严重伤害。



警示：表示存在潜在的危险情况，如果不加以避免，则可能导致轻度或中度伤害。

注意：表示不涉及人身伤害的情况，如果不加以避免，可能导致财产损失。



表示存在触电的危险。



表示存在火灾的危险。



警告：为了减少受伤的危险，请阅读使用手册。

电动工具一般安全警告



警告！请仔细阅读所有安全警告和指示说明。如果不遵守下列警告和指示，则可能会导致触电，火灾和/或严重伤害的危险。

请保存所有警告和指示，以备将来查阅。

警告中的术语“电动工具”是指由市电驱动时(有线)电动工具，或由电池驱动时(无线)电动工具。

1) 工作场地

- a) **保持工作场地清洁和明亮。** 混乱和黑暗的场地会引发事故。
- b) **不要在易爆环境，如有易燃液体、气体或粉尘的环境下操作电动工具。** 电动工具产生的火花会点燃粉尘或气体。
- c) **让儿童和旁观者离开后操纵电动工具。** 分心会使你放松控制。

2) 电气安全

- a) **电动工具的插头必须与插座相配。绝不能以任何方式改装插头。需接地的电动工具不能使用任何转换插头。** 未经改装的插头和相配的插座将减少触电危险。
- b) **避免人体接触接地表面，如管道、散热片和冰箱。** 如果你身体接地会增加触电危险。
- c) **不得将电动工具暴露在雨中或潮湿环境中。** 水进入电动工具将增加触电危险。
- d) **不得滥用电线。绝不能用电线搬运、拉动电动工具或拔出其插头。让电动工具远离热、油、锐边或运动部件。** 受损或缠绕的电线会增加触电危险。
- e) **当在户外使用电动工具时，使用适合户外使用的外接电线。** 适合户外使用的电线将减少触电危险。
- f) **如果必须在潮湿场合使用电动工具，请使用漏电保护装置 (RCD)。** 使用漏电保护装置可减少触电的危险。

3) 人身安全

- a) **保持警觉。当操作电动工具时关注所从事的操作并保持清醒。切勿在疲倦，药物、酒精或治疗反应下操作电动工具。** 在操作电动工具期间精力分散会导致严重人身伤害。
- b) **使用安全装置。始终佩戴护目镜。** 安全装置，诸如适当条件下的防尘面具、防滑安全鞋、安全帽、听力保护等装置能减少人身伤害。
- c) **避免突然起动。确保开关在插入插头时处于关断位置。** 手指放在已接通电源的开关上或开关处于接通状态时插入插头可能会导致危险。

- d) **在电动工具接通之前，拿掉所有调节钥匙或扳手。** 遗留在电动工具旋转零件上的扳手可能会导致人身伤害。
- e) **手脚不要伸得太长。时刻注意脚下和身体平衡。** 这样在意外情况下才能更好地控制电动工具。
- f) **着装适当。不要穿宽松衣服或佩戴饰品。让您的头发、衣服和手套远离运动部件。** 宽松衣服、配饰或长发可能会卷入运动部件。
- g) **如果提供了与排屑装置、集尘设备连接用的装置，请确保他们连接完好且使用得当。** 使用这些装置可减少碎屑引起的危险。

4) 电动工具的使用以及注意事项

- a) **不要滥用电动工具。根据用途使用适当的电动工具。** 使用适当的设计额定值的电动工具会使你工作更有效、更安全。
- b) **若开关不能接通或关断电源工具，则不能使用该电动工具。** 不能用开关来控制的电动工具是危险的且必须进行修理。
- c) **在执行任何调整、更换附件或贮存电动工具之前，必须从电源上拔掉插头和/或将电池盒脱开电源。** 这种防护性措施将减少电动工具突然起动的风险。
- d) **将闲置的电动工具贮存在儿童所及范围之外，并且不要让不熟悉电动工具或对这些说明不了解的人操作电动工具。** 电动工具在未经培训的用户手中是危险的。
- e) **保养电动工具。检查运动件的安装偏差或卡住、零件破损情况和影响电动工具运行的其他条件。如有损坏，电动工具必须在使用前修理好。** 许多事故由维护不良的电动工具引发。
- f) **保持刀具锋利和清洁。** 保养良好的有锋利切削刃的刀具不易卡住而且容易控制。
- g) **按照使用说明书以及打算使用的电动工具的特殊类型要求的方式，考虑作业条件和进行的作业来使用电动工具、附件和工具的刀头等。** 将电动工具用

作那些与要求不符的操作可能会导致危险情况。

5) 电池工具的使用以及注意事项

- 确保开关在插入电池盒前处于断开状态。**将电池盒插入到开关状态为接通的电动工具上会引发事故。
- 只由制造商规定的充电器充电。**将适用于某种电池盒的充电器用到其他电池盒时会发生着火危险。
- 只使用配有特制电池盒的电动工具。**使用其他电池盒会发生损坏盒着火危险。
- 当电池盒不用时，将它远离其他金属物品，例如回形针、硬币、钥匙、钉子、螺钉或其他小金属物品，以防一端与另一端连接。**电池端子短路会引起燃烧或火灾。
- 在滥用条件下，液体会从电池中溅出；避免接触。如果无意间碰到了，用水冲洗。如果液体碰到眼睛，还要寻求医疗帮助。**从电池中溅出的液体会发生腐蚀或燃烧。

6) 维修

- 让专业维修人员使用特定备件维修电动工具。**这将保证所维修的电动工具的安全。

曲线锯安全细则

- 在切割配件可能接触隐藏的导线的情况下，请仅握持绝缘的把手表面。如果切割配件接触“带电”导线，工具暴露金属部件的表面会“带电”，并且导致操作员触电。
- 使用夹具或采取其它可行的方法，将工件固定、支撑到稳定的平台上。手持或用身体顶住工件都是不稳定的，会导致操作失控。
- 从锯缝（锯割产生的槽）中撤出锯片前，让马达完全停止。运动的锯片会影响工件，折断锯片，损坏工件，导致失控，并可能造成人身伤害。
- 手柄保持干燥、洁净、没有油和油脂。这有助于控制工具。
- 锯片保持锋利。钝的锯片会在压力下偏斜或停止。
- 请经常清洁工具，尤其是重度使用后，更应该清洁工具。含有金属颗粒的灰尘和锯屑常常聚集在工具的内表面上，会带来触电风险。
- 请勿长时间操作本工具。使用本工具时产生的振动可能导致手指、手部、手臂等的永久性损伤。请使用手套来提供额外缓冲。时常休息并限制每天的使用时间。

• 通风孔下通常有转动部件，请注意预防。宽松的衣服、首饰或长发容易被卷入运动的部件中。



警告：我们建议使用额定剩余电流小于等于30毫安的剩余电流漏电保护器。

电气安全



本电机设计只能使用一种电压。每次使用均应检查电源与铭牌上的电压是否相符。220–240 V AC表示本工具使用交流电。如果超过该电压范围，会导致动力丧失、过热。所有得伟工具均经过出厂检测。如果本工具不能使用，请检查电源。得伟工具为双重绝缘，因此无须接地线。

关于少年及身体虚弱的人。少年及身体虚弱的人不得在缺乏监护的情况下使用本工具。

– 除非其安全负责人进行工具使用方面的监督或指导，否则体力、感知能力或心智不足的人（包括儿童），以及缺乏经验与相关知识的人不得使用本工具。

– 应监护儿童，确保他们不拿本工具玩耍。

更换电源线。如果电源线或插头损坏，为避免危险，必须由制造商或得伟授权服务中心更换。

适用于所有电池组的重要安全守则

订购新电池组时，请务必提供目录上的商品编号和电压规格。有关充电器与电池组兼容性的问题，请参考本说明书末尾的表格。

从包装箱取出的电池组并非完全充电。使用电池组和充电器之前，请阅读下列安全守则。然后遵循所述的充电程序。

请阅读所有守则

- 禁止在易燃液体、气体或粉尘等存在的易爆环境中充电或使用电池组。在充电器中插入或取出电池会点燃粉尘或气体。
- 切勿将电池组强行插入充电器。禁止以任何方式改装电池组并将电池组插入不兼容的充电器中，这种操作可能会导致电池组破裂，造成严重的人身伤害。有关充电器与电池组兼容性的问题，请参考本说明书末尾的表格。
- 电池组只可在得伟充电器中充电。
- 切勿飞溅或浸没在水中或其他液体中。
- 禁止在温度可能达到或超过 40°C (105° F) 的地方（如夏天户外的棚子或金属建筑物中）存储或使用工具和电池组。为达到最佳使用寿命，请将电池组存放在阴凉干燥的地点。

注意: 禁止将电池组存放在工具中, 而同时触发开关锁定在打开状态。切勿用胶带将触发开关固定在打开位置。



警告: 火灾危险。不论基于任何理由, 都不要尝试打开电池组。电池组外壳破裂或损坏时, 禁止将电池组插入充电器中。请勿挤压、摔落或损坏电池组。禁止使用受过强烈重击、摔落、碾压或以任何其它方式(如被钉子穿破、受到锤子的重击、或被踩踏)受损的电池组或充电器。损坏的电池组应交回服务中心回收。



警告: 火灾风险。存放或携带电池组时, 避免金属物体接触暴露的电极。例如, 不得在围裙、口袋、工具箱、产品工具箱、抽屉等中把电池组与松散的钉子、螺钉或钥匙等放置在一起。搬运电池时, 如果电池电极意外接触钥匙、硬币、手工工具等导电材料, 可能会引发火灾。美国交通部危险材料条例(HMR)实际上禁止电池在未进行适当防短路保护的条件下, 进行商业或飞机运输(例如装于手提箱或随身携带的行李中)。因此, 在携带单个电池时, 请保护好电池电极, 与可能接触的短路材料绝缘。

锂离子电池组的附加安全守则 (Li-Ion)

不论电池组是严重受损或完全损坏, 切勿焚化电池组。电池组会在火中爆炸。锂离子电池组在燃烧时会释放有毒烟雾和物质。

如果皮肤接触到电池内含物质, 应立即用中性肥皂和清水冲洗。如果电池液沾到眼睛, 应睁开眼睛用清水冲洗至少15分钟或直到眼睛不会感到刺激为止。

若需要医疗帮助, 电池电解液是由液状有机碳酸盐和锂盐混合组成的。

电池打开后, 其内含物质可能会刺激呼吸系统。呼吸新鲜空气, 如果症状持续, 请寻求医疗帮助。



警告: 灼伤危险。如果暴露在火花或火焰中, 电池液可能会燃烧。

适用于所有电池充电器的重要安全守则

请妥善保管好这些说明: 本手册含有电池充电器的重要安全和操作守则。

使用充电器之前, 请阅读充电器、电池组以及使用电池组的所有守则和注意标示。



警告: 触电危险。切勿使任何液体进入充电器。这可能导致触电。



警告: 灼伤危险。要降低受伤的风险, 只使用得伟充电式电池充电。其他类型的电池可能会爆裂, 导致人身伤害和损害。

注意: 在某些情况下, 当充电器的插头插入电源插座时, 充电器内部裸露的充电接触点可能因为外来物件而短路。请勿让能导电的异物靠近充电器腔, 这些异物包括但不限于打磨产生的尘粒、金属屑、钢棉、铝箔或任何金属颗粒的堆积物。充电器腔中没有电池组时, 请断开充电器和电源。清洁充电器前请拔掉充电器插头。

- 切勿尝试使用本手册说明以外的任何充电器为电池组充电。充电器和电池组经特别设计以便配合工作。

- 除了为得伟充电式电池充电以外, 这些充电器并非设计用于其他用途。任何其他用途可能导火灾、触电或电击的风险。

- 不得将充电器暴露在雨中或雪中。

- 断开充电器连接时拔出插头, 切勿拉拽电线。这将减低对电插头和电源线的损害风险。

- 确保电源线布置在不易踩踏、踢绊、拉扯或会受到损害或压力的位置。

- 不得使用延长电源线, 除非有绝对的必要。使用不正确的延长电源线可能导致火灾、触电或电击的风险。

- 在室外使用充电器时, 应选择干燥的地点并使用适合室外使用的延长线。室外专用的延长线能够降低触电风险。

- 不得将任何物件置放在充电器顶端或将充电器放置在软表面上, 这可能阻挡通风槽和导致内部过热。将充电器放置在远离任何热源的位置。充电器外壳顶端和底端具有通风槽。

- 操作充电器时, 不得使用损坏的电源线或插头。

- 若充电器遭受重击、掉落或因任何方式引起的损坏, 切勿操作该充电器。将它送往授权的检修中心。

- 不得拆卸充电器; 在需要检修或维修时将它送往授权的检修中心, 错误的重装可能导致触电、电击或火灾的风险。

- 为避免发生危险, 电源线一旦损坏, 必须立即联系厂商、服务代理或类似有资质的人员更换。

- 禁止尝试将两个充电器连接在一起。

- 充电器设计用于采用230V家用电源操作。不得使用任何其他电压操作。上述不适用于车用充电器。

充电器

本工具使用得伟充电器。使用前, 请务必仔细阅读所有安全须知。有关充电器与电池组兼容性的问题, 请参考本说明书末尾的表格。

充电程序 (图1)

1. 插入电池组前, 请将充电器插到合适的插座上。
2. 如图1所示, 将电池组 (F) 插入到充电器中, 确定电池组完全就位。红色 (充电中) 指示灯将不断闪

烁，表示充电过程已经开始。

3. 红色灯持续亮起表示充电完成。此时电池组已完全充电，您可以使用电池组或将电池组留在充电器上。

图1



充电指示灯图解

充电中

已完全充电

热/冷电池组延迟

电池组或充电器故障

电源线故障

充电指示灯

本充电器设计有特定故障检测功能。故障时，充电器表现为红灯快速闪烁。一旦发生该情况，请把电池组重新插入充电器中。如果仍不能排除故障，用其它电池组来验证充电器是否正常。如果其它电池组可正常充电，说明原电池有故障，应送交服务中心或其它回收处回收。如果其它电池组充电时，存在与原电池组同样的问题指示，请到授权服务中心检测充电器和电池组。

热/冷电池组延迟

本充电器具有热/冷延迟特性：当充电器检测到电池过热时，它会启动热延迟模式，暂停充电，直到电池达到适当的温度。然后，充电器会自动切换到电池组充电模式。此功能可确保电池拥有最长的使用寿命。热/冷电池组延迟模式下，红灯会长、短间隔闪烁。

把电池组留在充电器中

充电指示灯显示“已完全充电”时，充电器和电池组仍可继续保持连接。

弱化的电池组：弱化的电池组可以继续使用，但其性能会打折扣。

故障电池组：本充电器不能为故障电池组充电。电池有故障时，充电器指示灯不亮或“故障电池组或充电器”指示灯闪烁。

注意：这也可能意味着充电器有故障。

电源线故障

某些类型的充电器设计有“电源线故障”指示灯。当使用某些便携式电源时，例如发电机或直流—交流转换电源，充电器会暂停工作，此时红灯快闪两次后加一停顿，说明电源超出限定范围。

重要充电提示

1. 在空气温度 18°C – 24°C (65°F 至 75°F)下充电，能够获得最长电池寿命与最佳电池性能。空气温度低于 $+4^{\circ}\text{C}$ ($+40^{\circ}\text{F}$)，或高于 $+40^{\circ}\text{C}$ ($+105^{\circ}\text{F}$)时，禁止给电池组充电。遵守这一要求很重要，可以防止电池组严重损坏。

2. 充电过程中，充电器和电池组可能变热发烫。这是正常现象，不表示故障。使用后，为便于冷却电池组，应避免把充电器或电池组置于温暖环境中，例如金属工棚或未隔热拖车中。

3. 冷电池组充电速率是温热的电池组充电速率的一半左右。电池组在整个充电周期的充电速度都会较慢，即使电池升温也不会返回到最高速度。

4. 电池组不能正常充电时：

a) 使用电灯或其它电器来检查插座是否有电。

b) 检查插座是否连接到电灯开关上，在您关灯时切断了电源。

c) 把充电器和电池组转移到气温大约为 18°C – 24°C (65°F – 75°F)的环境中。

d) 如果充电问题仍不能解决，请把工具、电池组和充电器送到当地服务中心维修。

5. 当电池不能产生充足电力来完成此前轻易完成的工作，应给电池充电。该情况下，禁止继续使用工具。请根据充电步骤充电。您可以在任何需要的时候给电量部分使用的电池组充电，这不会给电池组带来不利影响。

6. 请勿让能导电的异物靠近充电器腔，这些异物包括但不限于打磨产生的尘粒、金属屑、钢棉、铝箔或任何金属颗粒的堆积物。充电器腔中没有电池组时，请断开充电器和电源。清洁充电器前请拔掉充电器插头。

7. 充电器切勿冷冻、浸入水中或其它液体中。

警告：电击风险。禁止任何液体进入充电器，否则会带来触电风险。





警告： 烧伤风险。禁止将电池组浸入液体中，并且避免液体进入电池组。不论基于任何理由，都不要尝试打开电池组。如果电池组的塑料壳损坏或破裂，请将其交回服务中心回收。

存储建议

1. 最好将电池存放在阴凉、干燥、远离阳光直射、不会过热或过冷的地方。
2. 长期存储时，建议将完全充电的电池组从充电器中取出，存储在阴凉、干燥的地方，以达到电池组的最佳性能。

注意： 电池组存储时不能处于电荷完全耗尽的状态。在使用电池组之前，必须重新充电。

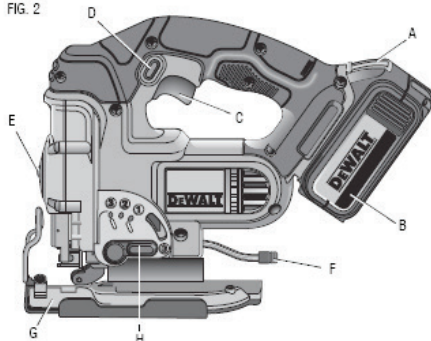
请保存好所有警告和指示，以备将来查阅。

马达

请确保您的电源与工具铭牌标示一致。如果电压降低超过10%，会导致动力丧失和过热。得伟电动工具经过出厂检测。如果工具不能使用，请检查电源状况。

部件名称 (图2)

FIG. 2



警告： 禁止修改本工具或其任何部分。否则会导致财产损失和人身伤害。

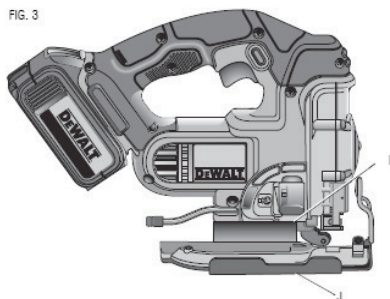
- A. 电池释放按钮
- B. 电池组
- C. 触发开关
- D. 开关锁定按钮
- E. 锯片无键释放手柄
- F. 坡口无键控制杆
- G. 底脚
- H. 轨道模式控制柄

I. 吹屑器控制拨杆

J. 防划伤底脚垫

图3

FIG. 3



预期用途

本DCS331/DCS332曲线锯设计用于专业级切割木材、钢材、铝材、塑料和陶瓷材料。

禁止在潮湿或存在易燃液体、气体的环境中使用未使用工具时，请务必按下工具的触发开关锁定按钮 (D)，以避免工具意外启动的风险。

本工具。本曲线锯是专业型电动工具。切勿让儿童接触本工具。缺乏经验的操作员需要在监督下使用此工具。

触发开关 (图2)

开启曲线锯请按下触发开关 (C)。

减速并停止曲线锯请释放触发开关。

调速功能 (图2、4)

按下触发开关的过程中，曲线锯的每分钟冲程数持续升高，但不会超过工具的最大速度。释放触发开关的过程中，锯片每分钟冲程数会降低。

图4

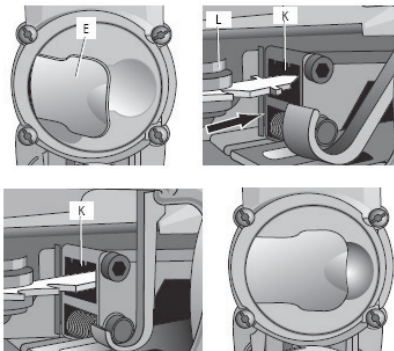


安装与调节步骤



警告: 为降低严重人身伤害的风险, 在拆、装附件、配件或调整工具之前, 请按下工具的触发开关锁定按钮, 并断开电池组。意外启动容易造成人身伤害。

锯片安装与拆卸步骤 (图5)



安装锯片

注意: 本曲线锯仅可使用T型柄曲线锯锯片。

注意: DT2074 齐边锯片仅可用于得伟 DCS331, DCS332, DW331 和 DC330曲线锯。

注意: 安装齐边锯片(DT2074)时, 必须拆下防开裂插件, 并且底脚必须位于0° 正停位置。

1. 抬起锯片无键释放手柄 (E), 如图5所示。
2. 把T型柄锯片插入夹持机构 (K), 同时引导锯片背面进入导向轮槽中。
3. T型柄必须完全进入夹持机构, 如图5所示。
4. 释放锯片无键释放手柄。

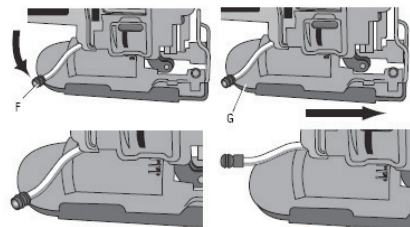
锯片拆卸步骤



警告: 锯片使用后 would 发烫, 切勿接触; 否则会导致人身伤害。

1. 抬起锯片无键释放手柄 (E)。
2. 轻轻摇动, 锯片会自行掉出。

底脚坡口调节步骤 (图6)



要松开底脚, 请把坡口无键控制杆 (F) 向侧面拉。
要锁定底脚, 请把坡口无键控制杆往回拉, 直至曲线锯身的下面。

锯片坡口设定步骤

1. 松开底脚。
2. 把底脚 (G) 向前滑动, 将其从0° 正停位置释放。
3. 底脚可左、右倾斜, 并有15°、30° 和45° 定位器。底脚可手动设定在0° 至45° 之间的任何角度。
4. 坡口角度设定好之后, 请把底脚锁定到位。

把底脚设定回0°

1. 松开底脚。
2. 转动底脚回0°。
3. 把底脚滑动回0° 正停位置。
4. 锁定底脚。

锯切模式——轨道式或直线式 (图7)

本曲线锯设计有四种锯切模式, 三种轨道式、一种直线式。轨道式锯片运动时, 锯切强度大, 可用于锯切软材料, 例如木材、塑料等。轨道式锯切速度更快, 但在材料上的截面不够光滑。在轨道模式下, 锯片在切削冲程中除了上下运动外, 还向前运动。

注意: 禁止使用轨道模式锯切金属或硬木。

锯切模式调整步骤: 将轨道模式控制柄 (H) 在四个模式0、1、2、3位置间移动。0位是直线锯切模式。1、2、3位是轨道模式。控制柄从1到3变化时, 锯切强度增加。3位时强度最大。

图7



吹屑器 (图3、8)

吹屑器有助于清除锯切区域产生的锯屑。

注意: 锯切金属时, 请关闭吹屑器, 避免吹掉锯片上的切削液。

要启动吹屑器, 请把吹屑器控制拨杆 (1) 滑动到最顶部。

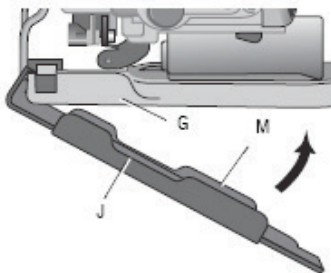
要关闭吹屑器, 请把吹屑器控制拨杆滑动到最底部。

图8



可拆卸式防划伤底脚垫 (图9)

FIG. 9



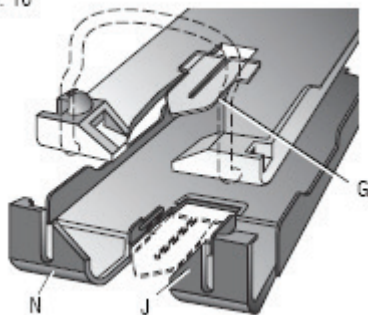
锯切易划伤表面时, 例如层压板、胶合板或油漆面等, 应使用防划伤底脚垫 (J)。

要安装防划伤底脚垫, 请将铝制底脚 (G) 的前部置于防划伤底脚垫 (J) 的前部内侧, 然后放下曲线锯。底脚垫将咔嚓一声, 牢牢卡到底脚的后部上。

要取下防划伤底脚垫, 请从底部抓住底脚垫; 抓牢两个后凸台 (M), 取下底脚垫。

防裂插件的安装与拆卸步骤 (图10)

FIG. 10



注意: 防裂插件不可与齐边锯片同时使用。需要尽可能防止材料开裂时, 特别是在锯割胶合板、层压板或抛光面时, 例如油漆面等, 可使用防裂插件 (N)。防裂插件应安装到防划伤底脚垫 (J) 上。如果不使用防划伤底脚垫, 请把防裂插件安装到底脚 (G) 上。

操作步骤



警告: 为了减少严重人身伤害的危险, 调整或拆卸/

安装附件或配件之前, 请按下触发开关锁定按钮并断开电池组。意外启动容易导致人身伤害。

电池组在工具上的拆、装步骤 (图11)

注意: 为达到最佳效果, 请确保电池组已充满电。

如需将电池组 (B) 安装到工具手柄中, 请把电池组与工具手柄内的轨道对正, 然后把电池组滑入手柄中, 直至牢固固定, 确保不会松脱。

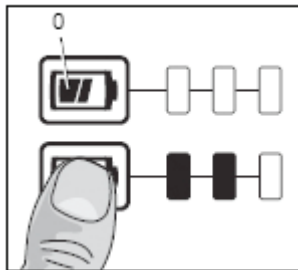
如需从工具上取下电池组, 请按下电池释放按钮 (A), 把电池组用力从工具手柄中拉出。按照本手册充电器部分的说明, 将电池组插入充电器。

图11



电池组电量计 (图 12)

FIG. 12



一些得伟电池组带有包含三个绿色 LED 灯的电量计，可以指示电池组的剩余电量。

按下电量计按钮 (O) 不要松开，即可启动电量计。三个绿色 LED 灯的组合将亮起，以指示剩余电量。当电池内的电量等级低于可用限制时，电量计的照明状态将不会显示，电池组则必须重新充电。

注意: 电量计仅指示电池组的剩余电量。它并不表示该工具的功能，且将根据产品组件、温度和最终用户的使用情况而有所不同。

如需了解电量计电池组的更多资料，请致电：800-820-4221 或者 400-620-4221。也可访问我们的官方网站 www.dewalt.com.cn。

锯割步骤



警告: 切勿在拆下底脚的情况下使用曲线锯，否则会造成严重人身伤害。

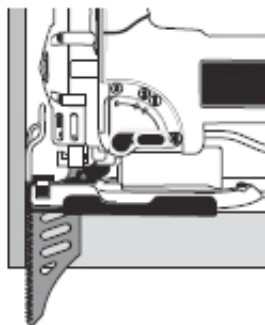
挖锯 (图13)

挖锯可以方便地进行内部锯割。本电锯可以直接插入板材，无须预先钻导向孔。挖锯时，请测量待锯表面，并用铅笔标示清楚。然后把工具前倾，直至底脚的前端紧靠在工件表面上，但锯片全冲程时不接触工件。启动工具，待其达到最大速度。紧握工具，降低工具后缘，直至锯片完全穿过材料。让底脚水平停在木材上，开始锯割。工具仍在运动时，切勿将锯片从锯缝中拔出。必须等锯片完全停止。

图13



齐边锯 (图14)



如果锯缝结束于墙面或后挡板等障碍物，需要进行齐边锯。实现齐边锯的最简单方法之一是使用齐边锯片 (DT2074)。齐边锯片可达到曲线锯底脚的前缘。安装、使用齐边锯片前，请取下防裂插件，把底脚设定回0° 正停位置。为获得最佳锯切质量，请采用0或1轨道模式使用齐边锯片。开始锯割时不可使用齐边锯片，因为使用齐边锯片时，底脚无法支撑到工件表面上。请参考下述木材锯切释例。

锯切木材步骤

任何条件下，均须充分固定工件。锯木材时请使用高速设定。切勿在锯片接触材料时启动工具，这会导致马达停转。锯割时，将底脚前部置于材料上，把曲线锯底脚顶紧木材。切勿对工具强行用力；让锯片在自有速度下工作。锯割结束时，关闭曲线锯；待锯片完全停止后，将曲线锯取下并放置一旁，然后再松开工件。

锯切金属步骤

锯割较薄的金属板材时，最好在薄板材底部夹上木板。这能够确保锯缝整齐、消除振动并防止撕裂金属板材。在锯切黑色金属 (含铁量高的金属) 时，请使用锯齿较细的锯片，而在锯割有色金属时 (不含铁的金属)，可采用锯齿较粗的锯片。锯割软金属 (铝、铜、黄铜、低碳钢、镀锌管、薄钢板等) 时，使用高速设定；锯割塑料、瓷砖、层压板、硬金属和铸铁时采用低速。

维护



警告: 为了减少严重人身伤害的危险, 调整或拆卸/安装附件或配件之前, 请按下触发开关锁定按钮并断开电池组。意外启动容易导致人身伤害。

润滑

本电动工具无需另行润滑。

清洁



警告: 至少每周一次, 使用洁净、干燥的空气吹掉所有通风口中的灰尘和碎屑。如此清洁时, 为尽可能避免眼睛受伤, 请务必佩戴经 AS/NZS51337 认证的护目镜。



警告: 切勿使用溶剂或其它刺激性化学制品来清洁工具的非金属部件。这些化学物质可能会削弱这些部位使用的材料。请用布蘸温和的肥皂水擦拭。切勿让任何液体进入工具, 禁止让工具的任何部分在液体中浸泡。

维修

为了确保本产品的安全性和可靠性, 工具的维修、维护和调整 (包括检查与更换碳刷) 应由授权服务中心或其它合格机构进行。请始终使用相同的备件。

配件



警告: 由于非得伟供应的配件未经本产品匹配测试, 将此类配件用于本工具可能造成伤害。为降低伤害风险, 本产品仅可使用非得伟推荐的配件。

本工具推荐使用的配件可从您当地服务中心另行购买。如您在查询配件时需要帮助, 请联系史丹利百得, 请致电: 800-820-4221 或者 400-620-4221。也可访问我们的官方网站 www.dewalt.com.cn

制造商: Stanley Black & Decker Deutschland GmbH

地址: Black & Decker Str.40 65510 Idstein, 德国

产地: 捷克

