

DEWALT®

XR®



www.DEWALT.com

DCMPW1600

Fig. A

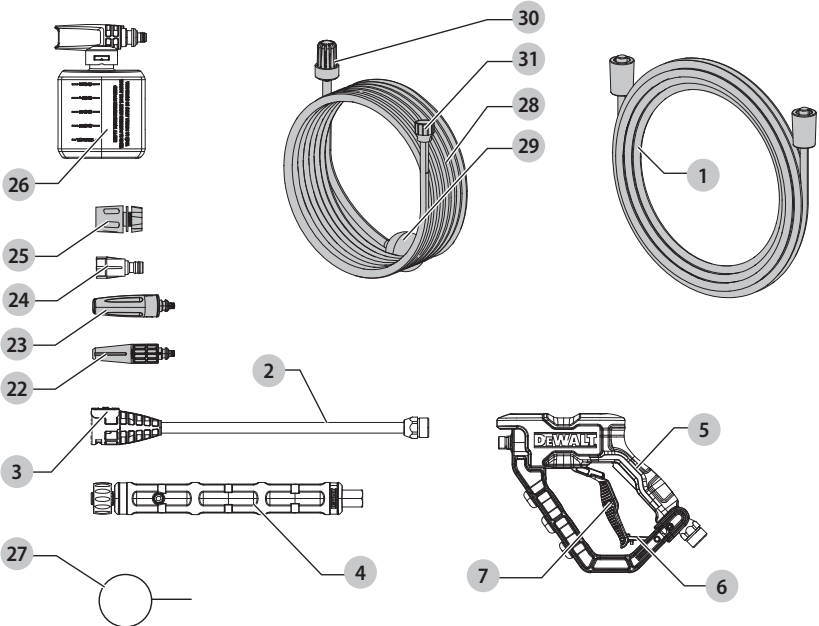
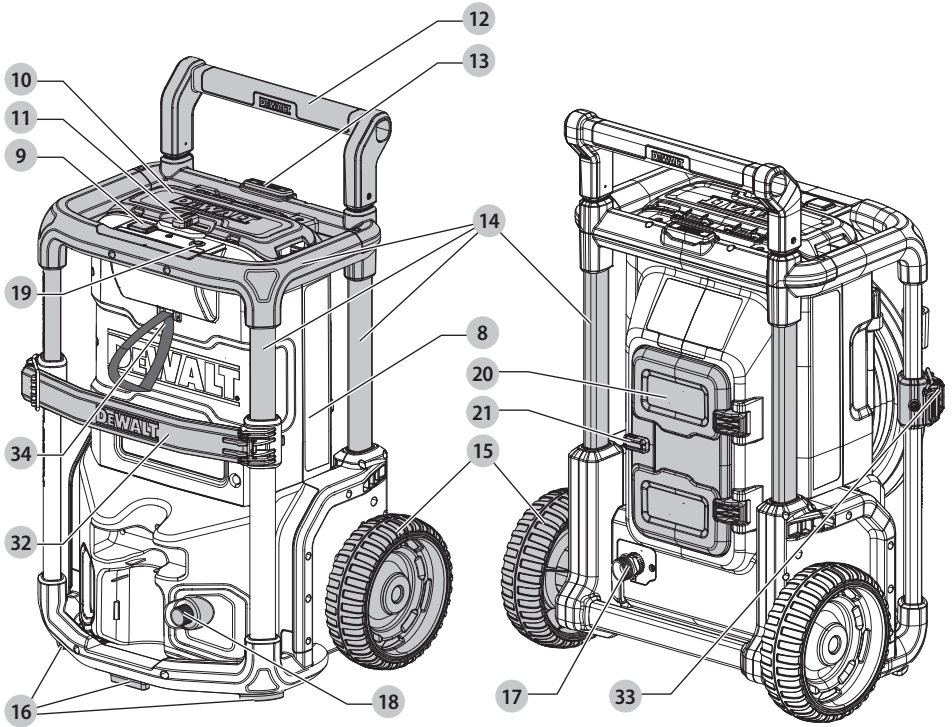


Fig. B

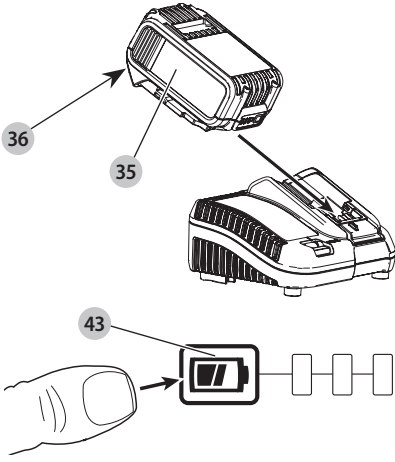


Fig. C

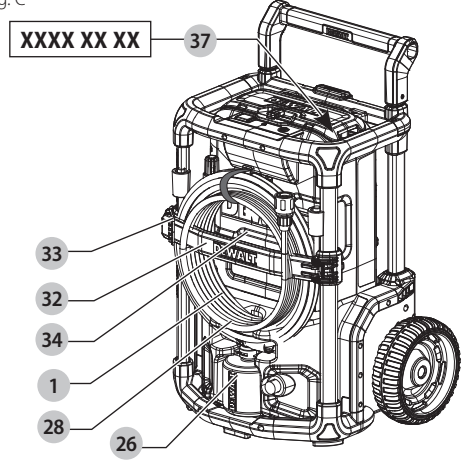


Fig. D

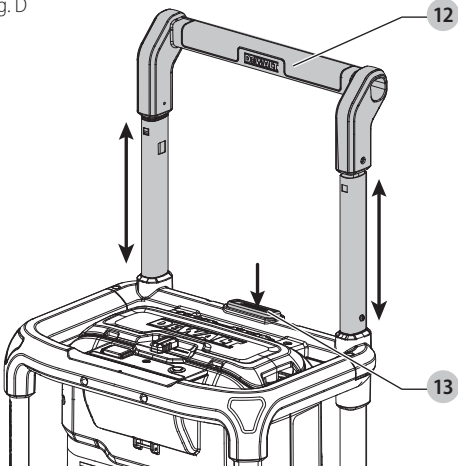


Fig. E

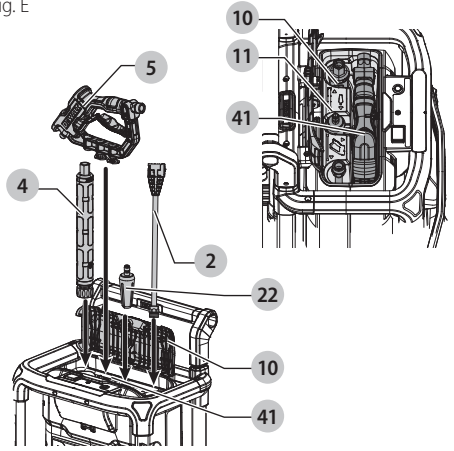


Fig. F

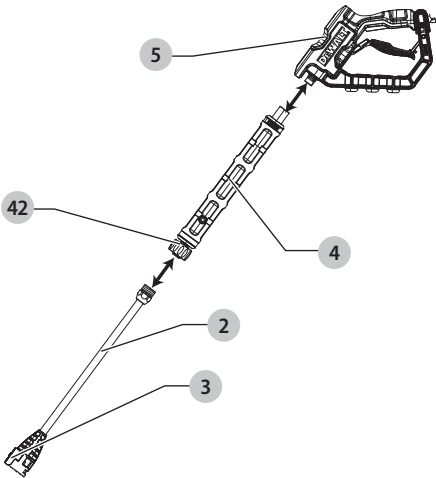


Fig. G

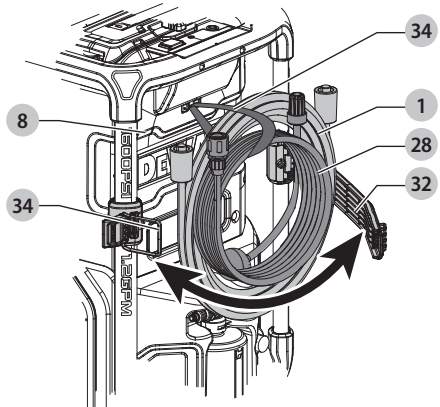


Fig. H

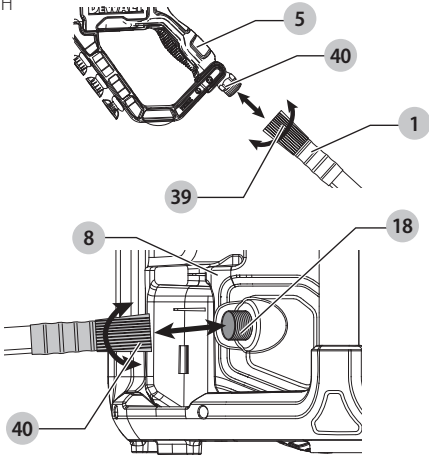


Fig. I

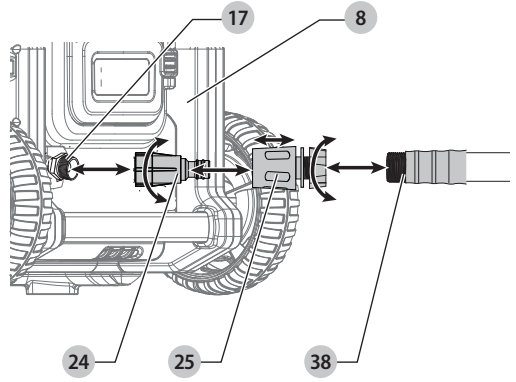


Fig. J

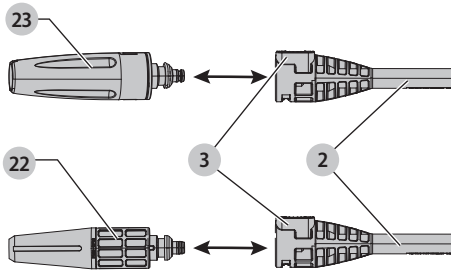


Fig. K

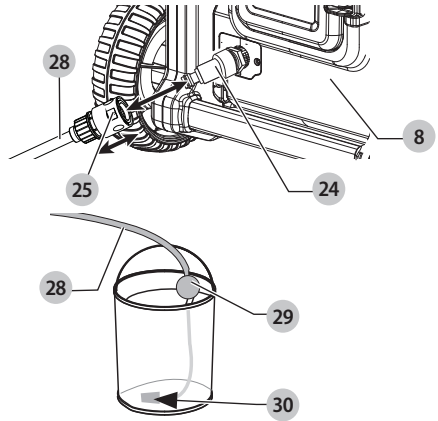


Fig. L

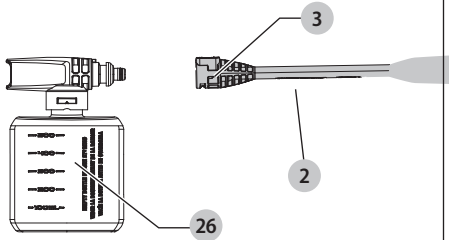


Fig. M

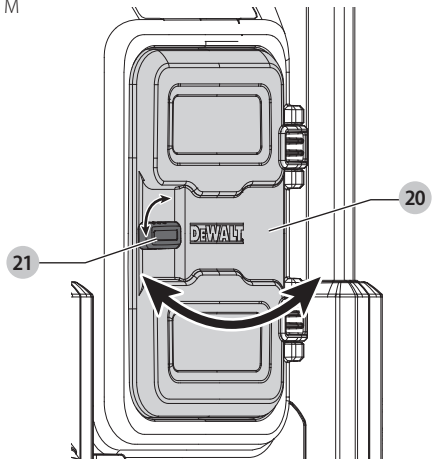


Fig. N

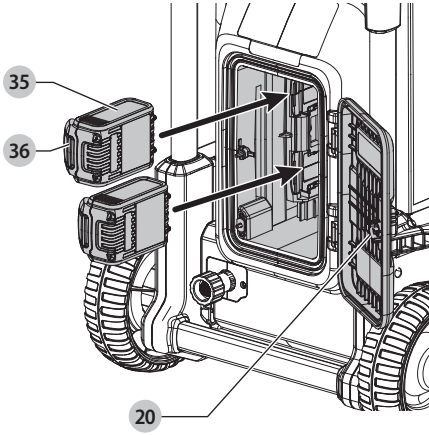


Fig. O

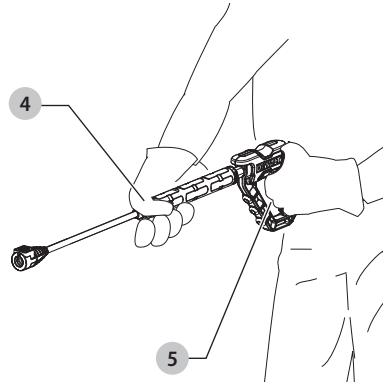


Fig. P

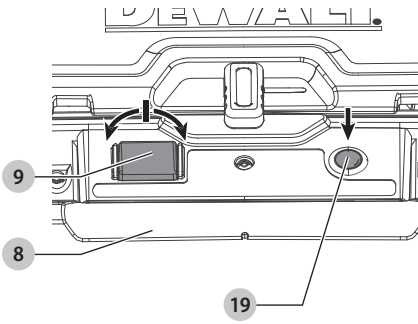


Fig. Q

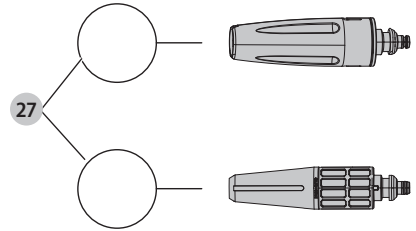


Fig. R

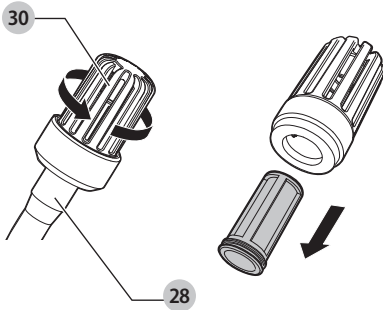
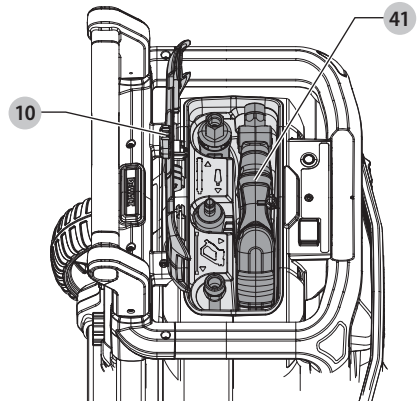


Fig. S



CORDLESS PRESSURE CLEANER

DCMPW1600

Congratulations!

You have chosen a DeWALT tool. Years of experience, thorough product development and innovation make DeWALT one of the most reliable partners for professional power tool users.

Technical Data

	DCMPW1600
Voltage Input	2x18 V _{DC}
Battery type	Li-Ion
Type	1
Rated Flow Rate	4.5 L/min
Max Water Flow Rate	5.5 L/min
Rated Pressure	110 Bar / 1600 PSI / 11 MPa
Maximum Pressure	165 Bar / 2390 PSI / 16.5 MPa
Maximum Inlet Temperature	50 °C
Maximum Input Pressure	1 Mpa (10 Bar)
Prepulsive Force of the Gun to the Maximum Pressure	21N
Motor Protection	IPX5
Inlet Water	Cold clear water
Weight	10,9 kg
Noise values and/or vibration values (triax vector sum) according to EN60335-2-79	

N&V test data:

Emission sound pressure level L_{pA} : 79.0 dB(A); K=3.0 dB(A)

Measured sound power level: L_{WA} : 93.0 dB(A); K=4.3 dB(A)

Vibration emission value ah: less than 2.5 m/s²; K=0.5 m/s²

The vibration and/or noise emission level given in this information sheet has been measured in accordance with a standardised test given in EN60335-2-79 and may be used to compare one tool with another. It may be used for a preliminary assessment of exposure.



WARNING: *The declared vibration and/or noise emission level represents the main applications of the tool. However, if the tool is used for different applications, with different accessories or is poorly maintained, the vibration and/or noise emission may differ. This may significantly increase the exposure level over the total working period.*

An estimation of the level of exposure to vibration and/or noise should also take into account the times when the tool is switched off or when it is running but not actually doing the job. This may significantly reduce the exposure level over the total working period.

Identify additional safety measures to protect the operator from the effects of vibration and/or noise such as: maintain the tool and the accessories, keep the hands warm (relevant for vibration), organisation of work patterns.

EC-Declaration of Conformity Machinery Directive



CORDLESS PRESSURE CLEANER DCMPW1600

DeWALT declares that these products described under **Technical Data** are in compliance with:

2006/42/EC, EN 60335-1:2012+A11:2014+A13:2017+A1:2019+A14:2019+A2:2019+A15:2021, EN60335-2-79:2012.

2000/14/EC, Annex V

L_{WA} (measured sound power level) 93 dB(A)

Uncertainty (K) = 4.3 dB(A)

L_{WA} (guaranteed sound power) 97 dB(A).

These products also comply with Directive 2014/30/EU and 2011/65/EU. For more information, please contact DeWALT at the following address or refer to the back of the manual.

The undersigned is responsible for compilation of the technical file and makes this declaration on behalf of DeWALT.

Markus Rompel

Vice-President Engineering, PTE-Europe

DeWALT, Richard-Klinger-Straße 11,

65510, Idstein, Germany

04.21.2023

DECLARATION OF CONFORMITY THE SUPPLY OF MACHINERY (SAFETY) REGULATIONS 2008



CORDLESS PRESSURE CLEANER DCMPW1600

DeWALT declares that these products described under **Technical Data** are in compliance with:

The Supply of Machinery (Safety) Regulations, 2008, S.I. 2008/1597 (as amended),

EN 60335-1:2012+A11:2014+A13:2017+A1:2019+A14:2019+A2:2019+A15:2021, EN60335-2-79:2012.

The Noise Emission in the Environment by Equipment for use Outdoors Regulations 2001, S.I. 2001/1701 (as amended). Schedule 8.

L_{WA} (measured sound power level) 93 dB(A)

Uncertainty (K) = 4.3 dB(A)

L_{WA} (guaranteed sound power) 97 dB(A).

These products conform to the following UK Regulations:

Batteries				Chargers/Charge Times (Minutes)***									
Cat #	V _{DC}	Ah	Weight (kg)	DCB104	DCB107	DCB112/ DCB1102	DCB113	DCB115/ DCB1104	DCB116	DCB117	DCB118	DCB132	DCB119
DCB546	18/54	6.0/2.0	1.08	60	270	170	140	90	80	40	60	90	X
DCB547/G	18/54	9.0/3.0	1.46	75*	420	270	220	135*	110*	60	75*	135*	X
DCB548	18/54	12.0/4.0	1.46	120	540	350	300	180	150	80	120	180	X
DCB549	18/54	15.0/5.0	2.12	125	730	450	380	230	170	90	125	230	X
DCB181	18	1.5	0.35	22	70	45	35	22	22	22	22	22	45
DCB182	18	4.0	0.61	60/40**	185	120	100	60	60/45**	60/40**	60/40**	60	120
DCB183/B/G	18	2.0	0.40	30	90	60	50	30	30	30	30	30	60
DCB184/B/G	18	5.0	0.62	75/50**	240	150	120	75	75/60**	75/50**	75/50**	75	150
DCB185	18	1.3	0.35	22	60	40	30	22	22	22	22	22	40
DCB187	18	3.0	0.54	45	140	90	70	45	45	45	45	45	90
DCB189	18	4.0	0.54	60	185	120	100	60	60	60	60	60	120
DCBP034/G	18	1.7	0.32	27	82	50	40	27	27	27	27	27	50
DCBP518/G	18	5.0	0.75	50	240	150	120	75	60	50	50	75	150

*Date code 201811475B or later

**Date code 201536 or later

***Battery charge times matrix provided for guidance only; charge times will vary depending on temperature and condition of batteries.

Electromagnetic Compatibility Regulations, 2016, S.I.2016/1091 (as amended).


The Restriction of the Use of Certain Hazardous Substances in Electrical and Electronic Equipment Regulations 2012, S.I. 2012/3032 (as amended).

For more information, please contact DEWALT at the following address or refer to the back of the manual.

The undersigned is responsible for compilation of the technical file and makes this declaration on behalf of DEWALT.





Paul Featherstone
 Product Director – Outdoor Products Group
 DEWALT UK, 270 Bath Road, Slough
 Berkshire, SL1 4DX
 England
 04.21.2023


 **WARNING:** To reduce the risk of injury, read the instruction manual.

Definitions: Safety Guidelines

The definitions below describe the level of severity for each signal word. Please read the manual and pay attention to these symbols.

 **DANGER:** Indicates an imminently hazardous situation which, if not avoided, **will** result in **death or serious injury**.

 **WARNING:** Indicates a potentially hazardous situation which, if not avoided, **could** result in **death or serious injury**.


 **CAUTION:** Indicates a potentially hazardous situation which, if not avoided, **may** result in **minor or moderate injury**.

NOTICE: Indicates a practice **not related to personal injury** which, if not avoided, **may** result in **property damage**.
















 Denotes risk of electric shock.

 Denotes risk of fire.

IMPORTANT SAFETY INSTRUCTIONS

 **WARNING:** When using this pressure washer, basic safety precautions should always be followed including the following:

- This machine is not intended for use by persons (including children) with reduced physical, sensory or mental capabilities, or lack of experience and knowledge.
- Children should be supervised to ensure that they do not play with the appliance.
- Read all the instructions before using the product.
- To reduce the risk of injury, close supervision is necessary when a product is used near children.
- Know how to stop the product and bleed pressures quickly. Be thoroughly familiar with the controls.
- Stay alert – watch what you are doing.
- Do not operate the product when fatigued or under the influence of alcohol or drugs.
- Keep operating area clear of all persons and animals.
- Do not overreach or stand on unstable support. Keep good footing and balance at all times.
- Follow the maintenance instructions specified in the manual.

-  **WARNING:** Risk of injection or injury – do not direct discharge stream at persons or animals.
-  **WARNING:** Read this entire manual before attempting to assemble, operate or install the product.
-  **WARNING:** This unit was designed for specific applications. It should not be modified and/or used for any application other than that which it was designed.
- NOTICE:** Always store your pressure washer in a location where the temperature will not fall below 4 °C (40 °F). freeze damage is not covered by the warranty.
-  **WARNING:** This machine has been designed for use with the cleaning agent supplied or recommended by the manufacturer. The use of other cleaning agents or chemicals may adversely affect the safety of the machine.
-  **WARNING:** During use of high pressure cleaners, aerosols may be formed. Inhalation of aerosols can be hazardous to health.
-  **WARNING:** High pressure jets can be dangerous if subject to misuse. The jet must not be directed at persons, live electrical equipment or the machine itself.
-  **WARNING:** Do not use the machine within range of persons unless they wear protective clothing.
-  **WARNING:** Do not direct the jet against yourself or others in order to clean clothes or foot-wear.
-  **WARNING:** Risk of explosion – Do not spray flammable liquids.
-  **WARNING:** High pressure cleaners shall not be used by children or untrained personnel.
-  **WARNING:** High pressure hoses, fittings and couplings are important for the safety of the machine. Use only hoses, fittings and couplings recommended by the manufacturer.
-  **WARNING:** To ensure machine safety, use only original spare parts from the manufacturer or approved by the manufacturer.
-  **WARNING:** Water that has flowed through backflow preventers is considered to be nonpotable.
-  **WARNING:** the machine shall be disconnected from its power source during cleaning or maintenance and when replacing parts.
-  **WARNING:** Do not use the machine if important parts of the machine are damaged, e.g. safety devices, high pressure hoses, trigger gun.
-  **WARNING:** Depending on the application, shielded nozzles can be used for high pressure cleaning, which will reduce the emission of hydrous aerosols dramatically. However, not all applications allow the use of such a device. If shielded nozzles are not applicable for the protection against aerosols, a respiratory mask of class FFP 2 or equivalent may be needed, depending on the cleaning environment.



According to the applicable regulations, the appliance must never be used on the drinking water network without a system separator. Use a separator as per IEC 61770. Water flowing through a system separator is considered not drinkable.

1. **Do not touch plug or outlet with wet hands.**
2. **Avoid accidental starts.** Move switch on unit to OFF position before connecting or disconnecting cord to electrical outlets.
3. Water spray must never be directed towards any electric wiring or directly towards the pressure washer machine itself or fatal electric shock may occur.
4. **The narrow pin point stream is very powerful.** It is not recommended for use on painted surfaces, wood surfaces or items attached with an adhesive backing.
5. **Keep operating area clear of all persons and animals.**
6. **Always use both hands when operating pressure washer to maintain complete control of the wand.**
7. **Do not touch nozzle or water spray while operating.** Never place hands in front of nozzle.
8. **Wear safety goggles while operating.** Wear protective clothing and footwear to protect against accidental spraying.
9. **Disconnect power plug from the outlet when not in use and prior to the detaching of the high pressure hose.**
10. **Never tie knots or kink the high pressure hose as damage could result. Inspect the high pressure hose regularly. Replace the hose immediately if it is damaged, worn or shows any signs of cracks, bubbles, pinholes, or other leakage.** Never grasp a high-pressure hose that is leaking or damaged.
11. **Do not operate or store this product in temperatures below 4 °C (40 °F).** Freeze damage is not covered by the warranty.
12. **Carefully observe all chemical instructions and warnings before using. Use only approved pressure washer cleaners. Do not use bleach, chlorine, or any cleaners containing acids. Always follow manufacturer's label recommendations for proper use of cleaners.** Always protect eyes, skin and respiratory system from cleaners.
13. **The pressure washer should not be used in areas where gas vapors may be present.** An electric spark could cause an explosion or fire.
14. **To minimize the amount of water getting into the pressure washer, the unit should be placed as far as possible from the cleaning site during operation.**
15. **To prevent accidental discharge, the spray gun should be secured by locking the trigger when not in use.**
16. **To allow free air circulation, the pressure washer should NOT be covered during operation.**
17. **Never touch, grasp or attempt to cover a pinhole or similar water leak on the high-pressure hose.** The stream of water IS under high pressure and WILL penetrate skin.
18. **Use only hoses and accessories rated for pressure higher than your pressure washer's PSI / Bar.** Never use with any other manufacturer's accessories or components.
19. **Never defeat the safety features of this product.**
20. **Do not operate machine with missing, broken or unauthorised parts.**
21. **Never spray flammable liquids or use pressure washer in areas containing combustible dust, liquid, or vapors.**

Safety of others

- This tool is not intended for use by persons (including children) with reduced physical, sensory or mental capabilities, or lack of experience and knowledge, unless they have been given supervision or instruction concerning use of the tool by a person responsible for their safety.
- Children should be supervised to ensure that they do not play with the appliance.

Vibration

The declared vibration emission values stated in the technical data and the declaration of conformity have been measured in accordance with a standard test method provided by EN60335-2-79 and may be used for comparing one tool with another. The declared vibration emission value may also be used in a preliminary assessment of exposure.



WARNING: The vibration emission value during actual use of the Pressure Washer can differ from the declared value depending on the ways in which the tool is used. The vibration level may increase above the level stated.

When assessing vibration exposure to determine safety measures required by 2002/44/EC to protect persons regularly using power tools in employment, an estimation of vibration exposure should consider, the actual conditions of use and the way the tool is used, including taking account of all parts of the operating cycle such as the times when the tool is switched off and when it is running idle in addition to the trigger time.

Residual Risks

In spite of the application of the relevant safety regulations and the implementation of safety devices, certain residual risks cannot be avoided. These are:

- Impairment of hearing.
- Risk of personal injury due to flying particles.
- Risk of burns due to accessories becoming hot during operation.
- Risk of personal injury due to prolonged use.

SAVE THESE INSTRUCTIONS

Chargers

DEWALT chargers require no adjustment and are designed to be as easy as possible to operate.

Electrical Safety

The electric motor has been designed for one voltage only. Always check that the battery pack voltage corresponds to the voltage on the rating plate. Also make sure that the voltage of your charger corresponds to that of your mains.



Your DEWALT charger is double insulated in accordance with EN60335; therefore, no earth wire is required.

If the supply cord is damaged, it must be replaced only by DEWALT or an authorised service organisation.

Mains Plug Replacement (U.K. & Ireland Only)

If a new mains plug needs to be fitted:

- Safely dispose of the old plug.
- Connect the brown lead to the live terminal in the plug.
- Connect the blue lead to the neutral terminal.



WARNING: No connection is to be made to the earth terminal.

Follow the fitting instructions supplied with good quality plugs. Recommended fuse: 3 A.

Using an Extension Cable

An extension cord should not be used unless absolutely necessary. Use an approved extension cable suitable for the power input of your charger (refer to **Technical Data**). The minimum conductor size is 1 mm²; the maximum length is 30 m. When using a cable reel, always unwind the cable completely.

Important Safety Instructions for All Battery Chargers

SAVE THESE INSTRUCTIONS: This manual contains important safety and operating instructions for compatible battery chargers (refer to **Technical Data**). Before using charger, read all instructions and cautionary markings on charger, battery pack, and product using battery pack.



WARNING: Shock hazard. Do not allow any liquid to get inside charger. Electric shock may result.



WARNING: We recommend the use of a residual current device with a residual current rating of 30 mA or less.



CAUTION: Burn hazard. To reduce the risk of injury, charge only DEWALT rechargeable batteries. Other types of batteries may burst, causing personal injury and damage.



CAUTION: Children should be supervised to ensure that they do not play with the appliance.

NOTICE: Under certain conditions, with the charger plugged into the power supply, the exposed charging contacts inside the charger can be shorted by foreign material. Foreign materials of a conductive nature such as, but not limited to, steel wool, aluminum foil or any buildup of metallic particles should be kept away from charger cavities. Always unplug the charger from the power supply when there is no battery pack in the cavity. Unplug charger before attempting to clean.

- **DO NOT attempt to charge the battery pack with any chargers other than the ones in this manual.** The charger and battery pack are specifically designed to work together.
- **These chargers are not intended for any uses other than charging DEWALT rechargeable batteries.** Any other uses may result in risk of fire, electric shock or electrocution.
- **Do not expose charger to rain or snow.**
- **Pull by plug rather than cord when disconnecting charger.** This will reduce risk of damage to electric plug and cord.
- **Make sure that cord is located so that it will not be stepped on, tripped over, or otherwise subjected to damage or stress.**

- **Do not use an extension cord unless it is absolutely necessary.** Use of improper extension cord could result in risk of fire, electric shock, or electrocution.
- **Do not place any object on top of charger or place the charger on a soft surface that might block the ventilation slots and result in excessive internal heat.** Place the charger in a position away from any heat source. The charger is ventilated through slots in the top and the bottom of the housing.
- **Do not operate charger with damaged cord or plug—** have them replaced immediately.
- **Do not operate charger if it has received a sharp blow, been dropped, or otherwise damaged in any way.** Take it to an authorised service centre.
- **Do not disassemble charger; take it to an authorised service centre when service or repair is required.** Incorrect reassembly may result in a risk of electric shock, electrocution or fire.
- In case of damaged power supply cord, the supply cord must be replaced immediately by the manufacturer, its service agent or similar qualified person to prevent any hazard.
- **Disconnect the charger from the outlet before attempting any cleaning. This will reduce the risk of electric shock.** Removing the battery pack will not reduce this risk.
- **NEVER** attempt to connect two chargers together.
- **The charger is designed to operate on standard 230V household electrical power. Do not attempt to use it on any other voltage.** This does not apply to the vehicular charger.







Charging a Battery (Fig. B)

1. Plug the charger into an appropriate outlet before inserting battery pack.
2. Insert the battery pack **35** into the charger, making sure the battery pack is fully seated in the charger. The red (charging) light will blink repeatedly, indicating that the charging process has started.
3. The completion of charge will be indicated by the red light remaining ON continuously. The battery pack is fully charged and may be used at this time or left in the charger. To remove the battery pack from the charger, push the battery release button **36** on the battery pack.

NOTE: To ensure maximum performance and life of lithium-ion battery packs, charge the battery pack fully before first use.

Charger Operation

Refer to the indicators below for the charge status of the battery pack.

Charge Indicators	
 Charging	— — — — — 
 Fully Charged	————— 
 Hot/Cold Pack Delay*	— — — — — ——— 

*The red light will continue to blink, but a yellow indicator light will be illuminated during this operation. Once the battery pack

has reached an appropriate temperature, the yellow light will turn off and the charger will resume the charging procedure. The compatible charger(s) will not charge a faulty battery pack. The charger will indicate faulty battery by refusing to light.

NOTE: This could also mean a problem with a charger.

If the charger indicates a problem, take the charger and battery pack to be tested at an authorised service centre.

Hot/Cold Pack Delay

When the charger detects a battery pack that is too hot or too cold, it automatically starts a Hot/Cold Pack Delay, suspending charging until the battery pack has reached an appropriate temperature. The charger then automatically switches to the pack charging mode. This feature ensures maximum battery pack life.

A cold battery pack will charge at a slower rate than a warm battery pack. The battery pack will charge at that slower rate throughout the entire charging cycle and will not return to maximum charge rate even if the battery pack warms.

The DCB118 charger is equipped with an internal fan designed to cool the battery pack. The fan will turn on automatically when the battery pack needs to be cooled. Never operate the charger if the fan does not operate properly or if ventilation slots are blocked. Do not permit foreign objects to enter the interior of the charger.

Electronic Protection System

XR Li-Ion tools are designed with an Electronic Protection System that will protect the battery pack against overloading, overheating or deep discharge.

The tool will automatically turn off if the Electronic Protection System engages. If this occurs, place the lithium-ion battery pack in the charger until it is fully charged.

Wall Mounting

These chargers are designed to be wall mountable or to sit upright on a table or work surface. If wall mounting, locate the charger within reach of an electrical outlet, and away from a corner or other obstructions which may impede air flow. Use the back of the charger as a template for the location of the mounting screws on the wall. Mount the charger securely using drywall screws (purchased separately) at least 25.4 mm long with a screw head diameter of 7–9 mm, screwed into wood to an optimal depth leaving approximately 5.5 mm of the screw exposed. Align the slots on the back of the charger with the exposed screws and fully engage them in the slots.

Charger Cleaning Instructions



WARNING: Shock hazard. Disconnect the charger from the AC outlet before cleaning. Dirt and grease may be removed from the exterior of the charger using a cloth or soft non-metallic brush. Do not use water or any cleaning solutions. Never let any liquid get inside the tool; never immerse any part of the tool into a liquid.

Battery Packs

Important Safety Instructions for All Battery Packs

When ordering replacement battery packs, be sure to include catalogue number and voltage.

The battery pack is not fully charged out of the carton. Before using the battery pack and charger, read the safety instructions below. Then follow charging procedures outlined.

READ ALL INSTRUCTIONS

- **Do not charge or use battery in explosive atmospheres, such as in the presence of flammable liquids, gases or dust.** Inserting or removing the battery from the charger may ignite the dust or fumes.
- **Never force battery pack into charger. Do not modify battery pack in any way to fit into a non-compatible charger as battery pack may rupture, causing serious personal injury.**
- Charge the battery packs only in DEWALT chargers.
- **DO NOT splash or immerse in water or other liquids.**
- **Do not store or use the tool and battery pack in locations where the temperature may fall below 4 °C (39.2 °F) (such as outside sheds or metal buildings in winter), or reach or exceed 40 °C (104 °F) (such as outside sheds or metal buildings in summer).**
- **Do not incinerate the battery pack even if it is severely damaged or is completely worn out.** The battery pack can explode in a fire. Toxic fumes and materials are created when lithium-ion battery packs are burned.
- **If battery contents come into contact with the skin, immediately wash area with mild soap and water.** If battery liquid gets into the eye, rinse water over the open eye for 15 minutes or until irritation ceases. If medical attention is needed, the battery electrolyte is composed of a mixture of liquid organic carbonates and lithium salts.
- **Contents of opened battery cells may cause respiratory irritation.** Provide fresh air. If symptoms persist, seek medical attention.



WARNING: Burn hazard. Battery liquid may be flammable if exposed to spark or flame.



WARNING: Never attempt to open the battery pack for any reason. If battery pack case is cracked or damaged, do not insert into charger. Do not crush, drop or damage battery pack. Do not use a battery pack or charger that has received a sharp blow, been dropped, run over or damaged in any way (i.e., pierced with a nail, hit with a hammer, stepped on). Electric shock or electrocution may result. Damaged battery packs should be returned to service centre for recycling.



WARNING: Fire hazard. Do not store or carry the battery pack so that metal objects can contact exposed battery terminals. For example, do not place the battery pack in aprons, pockets, tool boxes, product kit boxes, drawers, etc., with loose nails, screws, keys, etc.



CAUTION: When not in use, place tool on its side on a stable surface where it will not cause a tripping or falling hazard. Some tools with large battery packs will stand upright on the battery pack but may be easily knocked over.

Transportation



WARNING: Fire hazard. Transporting batteries can possibly cause fire if the battery terminals inadvertently come into contact with conductive materials. When transporting batteries, make sure that the battery terminals are protected and well-insulated from materials that could contact them and cause a short circuit. **NOTE:** Lithium-ion batteries should not be put in checked baggage.

DEWALT batteries comply with all applicable shipping regulations as prescribed by industry and legal standards, which include UN Recommendations on the Transport of Dangerous Goods; International Air Transport Association (IATA) Dangerous Goods Regulations; International Maritime Dangerous Goods (IMDG) Regulations; and the European Agreement Concerning The International Carriage of Dangerous Goods by Road (ADR). Lithium-ion cells and batteries have been tested to section 38.3 of the UN Recommendations on the Transport of Dangerous Goods Manual of Tests and Criteria.

In most instances, shipping a DEWALT battery pack will be excepted from being classified as a fully regulated Class 9 Hazardous Material. In general, only shipments containing a lithium-ion battery with an energy rating greater than 100 Watt Hours (Wh) will require being shipped as fully regulated Class 9. All lithium-ion batteries have the Wh rating marked on the pack. Furthermore, due to regulation complexities, DEWALT does not recommend air shipping lithium-ion battery packs alone regardless of Wh rating. Shipments of tools with batteries (combo kits) can be air shipped as excepted if the Wh rating of the battery pack is no greater than 100 Wh.

Regardless of whether a shipment is considered excepted or fully regulated, it is the shipper's responsibility to consult the latest regulations for packaging, labeling/marketing and documentation requirements.

The information provided in this section of the manual is provided in good faith and believed to be accurate at the time the document was created. However, no warranty, expressed or implied, is given. It is the buyer's responsibility to ensure that its activities comply with the applicable regulations.

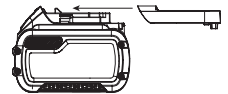
Transporting the FLEXVOLT™ Battery

The DEWALT FLEXVOLT® battery has two modes: **Use** and **Transport**.

Use Mode: When the FLEXVOLT™ battery stands alone or is in a DEWALT 18V product, it will operate as an 18V battery. When the FLEXVOLT™ battery is in a 54V or a 108V (two 54V batteries) product, it will operate as a 54V battery.

Transport Mode: When the cap is attached to the FLEXVOLT™ battery, the battery is in Transport mode. Keep the cap for shipping.

When in Transport mode, strings of cells are electrically disconnected within the pack,



resulting in 3 batteries with a lower Watt hour (Wh) rating as compared to 1 battery with a higher Watt hour rating. This increased quantity of 3 batteries with the lower Watt hour rating can exempt the pack from

certain shipping regulations that are imposed upon the higher Watt hour batteries.

For example, the Transport Wh rating might indicate 3 x 36 Wh, meaning 3 batteries of 36 Wh each.

The Use Wh rating might indicate 108 Wh (1 battery implied).

Example of Use and Transport Label Marking



Do not incinerate the battery pack.



USE (without transport cap). Example: Wh rating indicates 108 Wh (1 battery with 108 Wh).



TRANSPORT (with built-in transport cap). Example: Wh rating indicates 3 x 36 Wh (3 batteries of 36 Wh).

Storage Recommendations

1. The best storage place is one that is cool and dry away from direct sunlight and excessive heat or cold. For optimum battery performance and life, store battery packs at room temperature when not in use.
2. For long storage, it is recommended to store a fully charged battery pack in a cool, dry place out of the charger for optimal results.

NOTE: Battery packs should not be stored completely depleted of charge. The battery pack will need to be recharged before use.

Labels on Charger and Battery Pack

In addition to the pictographs used in this manual, the labels on the charger and the battery pack may show the following pictographs:



Read instruction manual before use.



Refer to **Technical Data** for charging time.



Do not probe with conductive objects.



Do not charge damaged battery packs.



Do not expose to water.



Have defective cords replaced immediately.



Charge only between 4 °C and 40 °C.



Only for indoor use.



Discard the battery pack with due care for the environment.



Charge DEWALT battery packs only with designated DEWALT chargers. Charging battery packs other than the designated DEWALT batteries with a DEWALT charger may make them burst or lead to other dangerous situations.

Battery Type

This DCMPW1600 is designed to operate on two 18-volt battery packs of equal capacity. The DCMPW1600 will not operate on a single battery pack, and if using different capacity 18-volt battery packs, the lower capacity battery pack, when depleted, will cause the unit to turn off. For optimum performance and runtime, we recommend using DCB547 9.0 AH battery packs. **NOTE:** For best results, make sure both of your battery packs are fully charged. These battery packs may be used: DCB181, DCB182, DCB183, DCB183B, DCB183G, DCB184, DCB184B, DCB184G, DCB185, DCB187, DCB189, DCBP034, DCBP034G, DCBP518, DCBP518G, DCB546, DCB547, DCB547G, DCB548, DCB549. Refer to **Technical Data** for more information.

Package Contents

The package contains:

- 1 Pressure washer unit
- 1 Spray handle
- 1 Spray wand
- 1 High pressure hose
- 1 Self priming suction hose
- 1 High pressure foam cannon
- 1 Water inlet filter
- 1 Adjustable spray nozzle
- 1 Turbo nozzle
- 1 Nozzle cleaning tool
- 1 Universal hose connector
- 1 Li-Ion battery pack (C1, D1, E1, G1, H1, L1, M1, P1, Q1, S1, T1, U1, X1, Y1, Z1 models)
- 2 Li-Ion battery packs (C2, D2, E2, G2, H2, L2, M2, P2, Q2, S2, T2, U2, X2, Y2, Z2 models)
- 3 Li-Ion battery packs (C3, D3, E3, G3, H3, L3, M3, P3, Q3, S3, T3, U3, X3, Y3, Z3 models)
- 1 Instruction manual

NOTE: Battery packs, chargers and kitboxes are not included with N models. Battery packs and chargers are not included with NT models. B models include Bluetooth® battery packs.

NOTE: The Bluetooth® word mark and logos are registered trademarks owned by the Bluetooth®, SIG, Inc. and any use of such marks by DEWALT is under license. Other trademarks and trade names are those of their respective owners.

- Check for damage to the tool, parts or accessories which may have occurred during transport.
- Take the time to thoroughly read and understand this manual prior to operation.

Markings on Tool

The following pictograms are shown on the tool:



Warning! To reduce the risk of injury, the user must read the instruction manual.



Wear eye protection.



Wear ear protection.



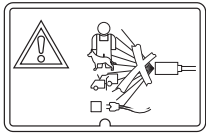
Machine not suitable for connection to the potable water mains.



Directive 2000/14/EC guaranteed sound power.
DCMPW1600



Always remove the battery from the appliance before performing any cleaning or maintenance.



Never direct the water jet at people, animals, the machine or electric components

Date Code Position (Fig. B)

The production date code **37** consists of a 4-digit year followed by a 2-digit week and is extended by a 2-digit factory code.

Description (Fig. A)

WARNING: Never modify the power tool or any part of it. Damage or personal injury could result.

- 1 High pressure hose
- 2 Spray wand
- 3 Nozzle button
- 4 Spray handle
- 5 Handle grip
- 6 Trigger lock-off
- 7 Trigger
- 8 Pressure washer unit
- 9 Speed selector switch
- 10 Storage door
- 11 Door latch
- 12 Telescoping handle
- 13 Handle release button
- 14 Cage
- 15 Transport wheels

- 16 Feet
- 17 Garden hose water intake
- 18 High pressure water outlet
- 19 Boost button
- 20 Battery port door
- 21 Battery door latch
- 22 Turbo nozzle
- 23 Adjustable spray nozzle
- 24 Water inlet filter
- 25 Quick connect hose adapter
- 26 High pressure foam cannon
- 27 Nozzle cleaning tool
- 28 Self priming suction hose
- 29 Float ball
- 30 Suction hose filter
- 31 Suction hose collar
- 32 Hose storage brace
- 33 Hose storage latch
- 34 Hose storage strap

Intended Use

This pressure washer is intended for cleaning boats, cars, decks, driveways, grills, house siding, motorcycles, patios, and outdoor furniture.

DO NOT use under wet conditions or in the presence of flammable liquids or gases.

DO NOT let children come into contact with the tool. Supervision is required when inexperienced operators use this tool.

- **Young children and the infirm.** This appliance is not intended for use by young children or infirm persons without supervision.
- This product is not intended for use by persons (including children) suffering from diminished physical, sensory or mental abilities; lack of experience, knowledge or skills unless they are supervised by a person responsible for their safety. Children should never be left alone with this product.

ASSEMBLY AND ADJUSTMENTS

WARNING: To reduce the risk of serious personal injury, turn tool off and disconnect battery pack before making any adjustments or removing/installing attachments or accessories. An accidental start-up can cause injury.

WARNING: Use only DeWALT batteries and chargers.

Cage Carrying Handles (Fig. C)

This pressure washer has a protective cage that protects the pressure washer from daily jobsite wear and tear but also provides multiple carry handle **14** options. Carry the pressure washer using whichever part of the cage that is convenient for your application.

DO NOT attempt to carry the pressure washer by the hose storage brace **32** or telescoping handle **12**.

Telescoping Handle (Fig. A, D)

This pressure washer has a convenient, built in telescoping handle and transport wheels.

- To unlock the telescoping handle **12**, press the handle release button **13** and slide the handle upwards. You will hear an audible click when it snaps into position.
- To store the telescoping handle **12**, press the handle release button **13** and slide the telescoping handle down and into the pressure washer body. You will hear an audible click when it snaps into position.
- To move the pressure washer **8**, tilt the unit so the transport wheels **15** are touching the ground and pull the unit by the telescoping handle.

Accessory Storage Compartment (Fig. E)

This pressure washer has a built in accessory storage compartment **41** to carry the spray wand, spray handle, handle grip and nozzles.

- To unlock the storage door **10**, rotate the door latch **11** counterclockwise and flip the door open to access the spray wand **2**, spray handle **4**, handle grip **5**, turbo nozzle **22** and adjustable spray nozzle **23**.
- To lock the storage door **10**, place the storage door in the closed position. Rotate the door latch **11** clockwise to lock the storage door into position.

Assembling Spray Wand (Fig. F)

- To connect the spray handle **4** to the handle grip **5**, insert the threaded end of the spray handle onto the threaded end of the handle grip. Rotate the spray handle **4** clockwise until fully tightened.
- To connect the spray wand **2** to the spray handle **4**, insert the threaded end of the spray wand into the threaded collar **42** of the spray handle. Rotate the threaded collar **42** clockwise until fully tightened.

High Pressure and Suction Hose Storage (Fig. G)

This pressure washer has a built in storage area to carry the high pressure hose. The coiled hose is secured between the hose storage brace **32** and the pressure washer unit **8**.

- To access the high pressure hose **1** or the suction hose **28**, unlock the hose storage latch **33** and swing the hose storage brace **32** away from the pressure washer unit **8**.
- Unwrap the hose storage strap **34** and remove the hose from the pressure washer unit **8**.
- Swing the hose storage brace **32** closed and lock the hose storage latch **33** securing the hose storage brace **32** to the pressure washer unit **8**.

Attaching High Pressure Hose (Fig. H)



CAUTION: NEVER PULL WATER SUPPLY HOSE TO MOVE pressure washer. This could damage hose and/or pump inlet.

NOTE: Uncoil the high pressure hose **1** before installation to prevent kinks.

NOTE: Avoid cross threading when installing the hose. Cross threading will cause leaks.

- To connect the high pressure hose **1** to the handle grip **5**, thread the hose collar **39** onto the inlet coupler **40**.
- To connect the high pressure hose to the pressure washer unit **8**, thread the hose collar **40** onto the high pressure water outlet **18**.

Attaching Garden Hose (Fig. I)

NOTE: Before connecting the garden hose to the pressure washer unit, run water through the garden hose for thirty seconds to clear any debris from inside the garden hose.

- To connect the garden hose **38** to the pressure washer **8**, first screw the water inlet filter **24** onto the water intake **17**.
- Unscrew the base of the quick connect hose adapter **25** and slide the base over the hose. Push the hose into the quick connect hose adapter until it stops. Screw the base onto the quick connect hose adapter **25** to clamp the hose into the quick connect hose adapter **25**.
- Push the quick connect hose adapter **25** into the water inlet filter **24** until it "clicks".

NOTE: Always disconnect the garden hose after usage.

Attaching Nozzles (Fig. J)



DANGER: Risk of fluid injection. Do not direct discharge stream toward persons, unprotected skin, eyes or any pets or animals. Serious injury will occur.



WARNING: Flying objects could cause risk of serious injury. DO NOT attempt to change nozzles while pressure washer is running. Turn pressure washer unit OFF before changing nozzles.

- To connect a nozzle to the spray wand **2** depress the nozzle button **3** on the spray wand and insert the appropriate nozzle.
- Release the nozzle button **3** to lock the nozzle in place.
- Give the nozzle a firm tug to ensure the nozzle is locked into place.

Nozzle Types	Suitable Applications
Adjustable Nozzle	For gentle wide angle cleaning
Turbo Nozzle	For abrasive cleaning

NOTE: The turbo nozzle **22** is suitable for cleaning concrete and masonry. It is not recommended to use this nozzle for vehicle cleaning as it can cause damage to the surface.

Adjusting Spray Pattern of the Adjustable Nozzle (Fig. J)

The angle of spray coming out of the nozzle may be adjusted by rotating the nozzle. This will vary the spray pattern from approximately a 0° narrow high impact stream to a 60° wide fan spray.

- A narrow pencil jet stream distributes the impact of the water in a concentrated area, resulting in a high impact force on the cleaning surface. Use a narrow pencil jet stream for deep cleaning in a concentrated area. However, use it cautiously, as it may damage some surfaces.

- A wide fan pattern distributes the impact of the water over a larger area, resulting in excellent cleaning action with a reduced risk of surface damage. Large surface areas can be cleaned more quickly using a wide fan pattern.

To Attach the Self Priming Suction Hose (Fig. K)

Use the self priming suction hose to pull water from a bucket or other fresh water source.

NOTICE: Do not use to suction soap, chemicals, dirty or corrosive liquids, such as window cleaner, plant food, fertilizers or bleach. Do not use with salt water.

NOTE: Avoid cross threading when installing the self priming suction hose **28**. Cross threading will cause leaks.

1. To connect the self priming suction hose **28** to the pressure washer unit **8**, thread the suction hose collar **31** onto the water intake **17**.
2. Securely tighten the suction hose collar **31** by hand.
NOTE: Always disconnect the suction hose after usage.
3. Place other end of suction hose, with the filter **30** on it, into a container of fresh water or a fresh water source.
4. Adjust the float ball **29** on the suction hose so the filter **30** stays covered in the liquid.
5. Select the correct nozzle to be used. **Attaching Nozzles**
6. After the job being performed is complete, place the suction hose into a container of clean water and draw the clean water through the system to rinse.

NOTE: When using the self priming suction hose, it may take a few minutes for the pressure washer to self prime. Ensure the pressure washer is turned on and the trigger on the spray wand it being pulled until primed.

Attaching High Pressure Foam Cannon (Fig. L)

1. To connect the high pressure foam cannon **26** to the spray wand **2**, press the nozzle button **3** and insert the soap bottle.
2. Release the nozzle button **3** to lock the high pressure foam cannon **26** in place.
3. Give the high pressure foam cannon **26** a firm tug after to ensure it is locked into place.

NOTE: The soap bottle should be positioned underneath the spray wand. Do not position the high pressure foam cannon above the spray wand as this will lead to soap dripping on the spray wand. The spray tip on the high pressure foam cannon **26** rotates for vertical or horizontal application.

OPERATION

Instructions for Use



WARNING: Always observe the safety instructions and applicable regulations.



WARNING: To reduce the risk of serious personal injury, turn tool off and disconnect battery pack before making any adjustments or removing/installing attachments or accessories. An accidental start-up can cause injury.

Installing and Removing the Battery Packs (Fig. M, N)

This pressure washer is designed to operate on two battery packs of equal capacity. The pressure washer will not operate on a single battery pack, and if using different capacity battery packs, the smaller capacity battery pack, when depleted, will cause the unit to turn off.

NOTE: For best results, make sure your battery packs are both fully charged.

To Install the Battery Packs



WARNING: Ensure speed selector switch is in the OFF, centered position, before installing battery packs.



CAUTION: Unit stops running when the battery port door is open. If the speed selector switch is in the HI or LO position the unit will power ON when the battery port door closes.



CAUTION: Do not hold the trigger when closing the battery port door.

1. Unlock the battery port door **20**, rotate the battery port door latch **21** counterclockwise and swing the battery port door open to access the battery port.
2. Align the battery packs **35** with the rails inside the battery port and slide them in until the battery packs are firmly seated in the tool and ensure that they will not disengage.
3. Lock the battery port door **20**, close the battery port door **20** so it seals to the pressure washer unit **8**.
4. Rotate the battery port door latch **21** clockwise to lock the battery port door. Ensure the battery port door is fully latched into position before starting tool.

NOTE: The unit will not operate if the battery port door is not fully closed and latched.

To Remove the Battery Packs

1. Rotate the battery port door latch **21** counterclockwise and pull the battery port door open to access the battery packs **35**.
2. Press the battery release buttons **36** on the battery packs **35** and firmly pull the battery packs out of tool.
3. Insert the batteries into a charger as described in the charger section of this manual.
4. Close the battery port door **20** so it seals to the pressure washer unit **8** and lock it. Ensure the battery port door is fully latched into position.


Fuel Gauge Battery Packs (Fig. B)


Some DEWALT battery packs include a fuel gauge, which consists of three green LED lights that indicate the level of charge remaining in the battery pack.

To actuate the fuel gauge, press and hold the fuel gauge button **43**. A combination of the three green LED lights will illuminate, designating the level of charge left. When the level of charge in the battery is below the usable limit, the fuel gauge will not illuminate and the battery will need to be recharged.

NOTE: The fuel gauge is only an indication of the charge left on the battery pack. It does not indicate tool functionality and is subject to variation based on product components, temperature and end-user application.

Proper Hand Position (Fig. 0)

 **WARNING:** To reduce the risk of serious personal injury, **ALWAYS** use proper hand position as shown.

 **WARNING:** To reduce the risk of serious personal injury, **ALWAYS** hold securely in anticipation of a sudden reaction.

Proper hand position requires one hand on the spray handle grip **5** and the other hand on the spray handle **4**.

Correct Pressure Washer Unit Position (Fig. A, C)

 **CAUTION:** Before operation:

Always keep the unit right-side up with its feet **16** and wheels **15** on the ground as shown in Fig. C.

NOTE: Never attempt to use the pressure washer while standing vertically, on its side, or flipped over on the ground.

Speed Selector Switch (Fig. A, P)

This pressure washer gives you the choice to operate at a high pressure or lower pressure for more delicate jobs, and can also boost pressure for high-performance cleaning.

The speed selector switch **9** toggles to three positions;

- Off, centered.
- HI, right side.
- LO, left side.

To turn the pressure washer ON, toggle the speed selector switch **9** to the right or left positions.

To turn the pressure washer OFF, toggle the speed selector switch **9** to the center position.

For higher pressure washing, press the speed selector switch **9** to the right to the "HI" position. This mode is best for applications that need higher pressure/Bar.

For lower pressure washing, press the speed selector switch **9** to the left to the "LO" position. This mode is best for projects that require a more delicate cleaning. This mode also generally offers more runtime.

NOTE: When in "HI" mode, runtime will be decreased as compared to when pressure washer is in "LO" mode.


To activate Boost mode, press the boost button **19**, the green LED will illuminate when activated. This mode is best for applications that require maximum available Bar.

NOTE: Boost mode will only function for up to ten minutes. You can press the boost button **19** again to exit boost mode before ten minutes and you will go back to the mode the speed selector switch **9** is set to. When you near the end of ten minutes the green LED will start to flash, and the unit will return to the mode the speed selector switch **9** is set to after boost mode times out.

NOTE: After boost mode is used for a full ten minutes, the unit can return to boost mode by re-pressing the boost button **19**.

NOTE: Overall runtime will be shortened by using boost mode.


Pressure Washing (Fig. A–P)


 **WARNING:** To reduce the risk of serious personal injury, turn unit off and remove the battery pack before making any adjustments or removing/installing attachments or accessories. An accidental start-up can cause injury.

Preparing Surface for Cleaning

- Remove objects from the area which could create a hazard such as children's toys or outdoor furniture.
- Insure that all doors and windows are closed tight. Protect all plants and trees in the adjacent area with a drop cloth ensuring that they will not be harmed by any overspray.
- Pre-rinse cleaning area with fresh water.
- Use only detergents formulated for pressure washers.
- Always test detergent in an inconspicuous area before use.

Preparing Pressure Washer Unit for Use

 **DANGER:** Risk of fluid injection and laceration. When using the high-pressure setting, DO NOT allow the high-pressure spray to come in contact with unprotected skin, eyes, or with any pets or animals. Serious injury will occur.

 **CAUTION:** Before operation:

1. Connect the high pressure hose to the pressure washer and the pressure wand. For instructions on connecting the high pressure hose to the pressure washer and pressure wand, please refer to **Attaching High Pressure Hose** under **Assembly and Adjustments**.
2. Connect the water supply to the pressure washer. For instructions on connecting the water supply to the pressure washer, please refer to **Attaching Garden Hose** under **Assembly and Adjustments**.
3. Install the two battery packs **35**. Close and lock the battery port door **20**. Ensure the door is fully latched into position, please refer to **To Install the Battery Packs** under **Installing and Removing the Battery Packs**.

Preparing Spray Wand (Fig. A, F)

IMPORTANT: Before turning on the pressure washer unit, disengage the trigger lock-off **6** and squeeze the trigger **7**.

1. Spray wand must be assembled before use. Please refer to **Assembling Spray Wand** under **Assembly and Adjustments**.
2. Disengage the trigger lock-off **6**.
3. Turn on the water supply.
4. Squeeze the trigger **7**. Hold the trigger for 30 seconds to purge the system of air.
5. If air is still found in the water stream, continue to run water through the spray wand.

Cleaning a Surface (Fig. P)

1. To start the pressure washer, toggle the speed selector switch **9** to the HI or LO position.
2. The best angle for spraying water against a cleaning surface is 45°.

- Spraying head on tends to cause dirt particles to imbed in the surface.
 - When working on vertical surfaces, it is best to apply detergent starting at the bottom and working upwards which will prevent the detergent from sliding down and causing streaks.
3. To disengage the spray handle, release the trigger.

Moving the Pressure Washer (Fig. A–D)

1. Turn OFF the pressure washer unit **8** toggle the speed selector switch **9** to the center position. Then turn off the water supply.
2. Point the spray wand **2** in a safe direction and pull the trigger **7** to release remaining water pressure.
3. When the spray wand is completely empty, pull up the telescoping handle **12** and pull the pressure washer unit using the wheels **15** to your next location.

Shutdown (Fig. A, H, I, N, P)

1. Turn OFF the pressure washer unit **8** by toggling the speed selector switch **9** to the center position. Then turn off the water supply and remove the battery packs from the pressure washer unit **8**.
2. Discharge residual pressure by squeezing the trigger **7** until no more water comes out of the spray wand **2**.
3. Engage the spray trigger lock-off **6**.
4. Disconnect the garden hose from the water intake **17**.
5. Disconnect the high pressure hose **1** from the high pressure water outlet **18** and drain hose.

Nozzle Cleaning (Fig. A, Q)



WARNING: To reduce the risk of serious personal injury, turn unit off and remove the battery pack before making any adjustments or removing/ installing attachments or accessories. An accidental start-up can cause injury.

If the nozzle becomes clogged with foreign materials, such as dirt, excessive pressure may develop. If the nozzle becomes partially clogged or restricted, the pump pressure will pulsate. Clean the nozzle immediately using the nozzle cleaner.

1. Turn OFF the pressure washer unit **8** by toggling the speed selector switch **9** to the center position.
2. Turn off the water supply and remove the battery packs from the pressure washer unit **8**.
3. Pull trigger **7** on spray handle **4** to relieve any water pressure.
4. Remove the nozzle from the spray wand **2** by depressing the nozzle button **3** on the spray wand and pulling the nozzle.
5. Using the nozzle cleaning tool **27**, unclog any debris from the nozzle.
6. Run water from a faucet or garden hose through the nozzle.

Suction Hose (Fig. K)

1. To clean the suction hose **28**, shut off the pressure washer.
2. Pull the trigger switch to relieve any water pressure.
3. Remove the suction hose **28** from the pressure washer.

4. To clean the suction hose, use water from a garden hose to thoroughly rinse out the suction hose and allow it to fully dry.

Suction Hose Filter (Fig. R)

1. Turn the filter **30** on the end of the suction hose **28** counterclockwise and remove.
2. Remove the strainer from inside of the filter.
3. Rinse all of the parts with clean water and reassemble.

MAINTENANCE

Your power tool has been designed to operate over a long period of time with a minimum of maintenance. Continuous satisfactory operation depends upon proper tool care and regular cleaning.



WARNING: To reduce the risk of serious personal injury, turn tool off and disconnect battery pack before making any adjustments or removing/ installing attachments or accessories. An accidental start-up can cause injury.

The charger and battery pack are not serviceable.

Lubrication

Your power tool requires no additional lubrication.

Cleaning



WARNING: Electrical shock and mechanical hazard. Disconnect the electrical appliance from the power source before cleaning.



WARNING: To ensure safe and efficient operation, always keep the electrical appliance and the ventilation slots clean.



WARNING: Never use solvents or other harsh chemicals for cleaning the non-metallic parts of the tool. These chemicals may weaken the materials used in these parts. Use a cloth dampened only with water and mild soap. Never let any liquid get inside the tool; never immerse any part of the tool into a liquid.

Ventilation slots can be cleaned using a dry, soft non-metallic brush and/or a suitable vacuum cleaner. Do not use water or any cleaning solutions. Wear approved eye protection and an approved dust mask.

Storage (Fig. C, E, S)

- Store in a dry, covered location above freezing temperature with the batteries removed. STORE INDOORS.
- Always completely empty water from high pressure hose, pressure washer unit, nozzles, and spray wand.
- Nozzles can be stored in the nozzle storage slots in the storage compartment **41** as shown in Fig. E and Fig. S.
- High pressure hose and suction hose can be stored coiled up and secured between the cage and the pressure washer unit **8** as shown in Fig. C.
- Spray wand can be stored, broken down into three pieces, in the storage compartment **41** as shown in Fig. E and Fig. S.
- High pressure foam cannon **26** can be stored empty, in the built in storage space in the pressure washer unit as shown in Fig. C.

Optional Accessories



WARNING: Since accessories, other than those offered by DEWALT, have not been tested with this product, use of such accessories with this tool could be hazardous. To reduce the risk of injury, only DEWALT-recommended accessories should be used with this product.

Consult your dealer for further information on the appropriate accessories.

Protecting the Environment



Separate collection. Products and batteries marked with this symbol must not be disposed of with normal household waste.

Products and batteries contain materials that can be

recovered or recycled, reducing the demand for raw materials. Please recycle electrical products and batteries according to local provisions. Further information is available at www.2helpU.com.

Rechargeable Battery Pack

This long-life battery pack must be recharged when it fails to produce sufficient power on jobs that were easily done before. At the end of its technical life, discard it with due care for our environment:

- Run the battery pack down completely, then remove it from the tool.
- Li-Ion cells are recyclable. Take them to your dealer or a local recycling station. The collected battery packs will be recycled or disposed of properly.

TROUBLESHOOTING



WARNING: Risk of Unsafe Operation. Before servicing unit unplug or disconnect electrical supply, turn water supply off, discharge residual pressure, and engage spray handle lock-off.

PROBLEM	CAUSE	CORRECTION
Motor does not start.	Battery packs not installed properly.	Check battery pack installation.
	Battery packs not charged.	Check battery pack charging requirements.
	Speed selector switch is in the OFF position.	Toggle switch to the HI or LO position.
	Wand trigger not being squeezed.	Squeeze trigger with switch in ON position.
	Battery port door is not latched.	Press battery port door fully closed and ensure the battery port door lock is in the locked position.
Unit does not reach high pressure.	Water faucet not fully turned on.	Open water valve fully.
	Water inlet filter clogged.	Remove filter and rinse to clean.
	Nozzle worn.	Replace with new nozzle.
	Pump is sucking air.	Check that hoses and fittings are air tight. Turn OFF machine and purge pump by squeezing trigger until a steady flow of water emerges from the nozzle.
	Water supply restricted.	Check water hose for kinks, leaks and blockage.
Output pressure varies high/low.	Not enough inlet water supply.	Turn water on full force – check hose for leaks and kinks.
	Pump is sucking air.	Check that hoses and fittings are air tight. Turn OFF machine and purge pump by squeezing trigger until a steady flow of water emerges from the nozzle.
	Water inlet screen clogged.	To unclog, rinse off with water.
	Discharge nozzle is obstructed.	Blow out or remove debris.
	Soap bottle is empty.	Add more detergent.
No detergent.	Soap bottle not properly connected.	Check connections. Ensure that the soap bottle is fully secured to the spray wand.
	Detergent is too thick.	Use detergent recommended for use in pressure washers only. Follow manufactures dilution directions.
	Damaged or clogged detergent suction ports.	Remove obstruction or debris and run warm water over the detergent suction ports.
	Discharge nozzle is obstructed.	Blow out or remove debris. Run warm water through nozzle to remove debris
	Flow control knob closed.	Adjust the flow control knob on the top of the high pressure foam cannon.
Garden hose connection leaks.	Loose fittings.	Tighten fittings.
	Missing/worn rubber washer.	Replace washer in hose adapter.
Suction hose does not self prime.	Loose fittings.	Tighten fittings.
	Filter not fully submerged.	Adjust float and ensure filter stays fully covered with liquid.
	Allow more time for pump to prime.	It could take several minutes at first to self prime. Ensure unit is on and trigger is being squeezed.
Spray wand or extension leaks.	Spray wand not properly attached.	Please refer to Assembling Spray Wand under Assembly and Adjustments .
	Broken O-ring.	Contact DEWALT customer service representative at 1-800-4-DEWALT (1-800-433-9258).
Pump is excessively noisy.	Pump is sucking air.	Check that hoses and fittings are air tight. Turn OFF machine and purge pump by squeezing trigger until a steady flow of water emerges from the nozzle.
Water leaks from pump.	Loose fittings.	Check that all fittings are tight.
	Water seals are damaged or worn.	Contact DEWALT customer service representative at 1-800-4-DEWALT (1-800-433-9258).
Oil leaks.	Oil seals are damaged or worn.	Contact DEWALT customer service representative at 1-800-4-DEWALT (1-800-433-9258).
Motor buzzes but fails to run.	System has residual pressure.	Turn unit off, squeeze trigger on spray wand to release pressure, then turn unit on.
	Pressure washer was not used for long periods.	Contact DEWALT customer service representative at 1-800-4-DEWALT (1-800-433-9258).

Australia & New Zealand

DeWALT

www.dewalt.com.au

www.dewalt.co.nz

810 Whitehorse Road Box Hill VIC 3128

Tel. 1800 654 155 (Aust) or Tel. 0800 339 258 (NZ)