
DEWALT®

www.DEWALT.com

DW349R

English (<i>original instructions</i>)	4
中文 (简体)	10
中文 (繁體)	15
한국어	21
BAHASA INDONESIA	27
ภาษาไทย	34
TIẾNG VIỆT	41

Figure 1

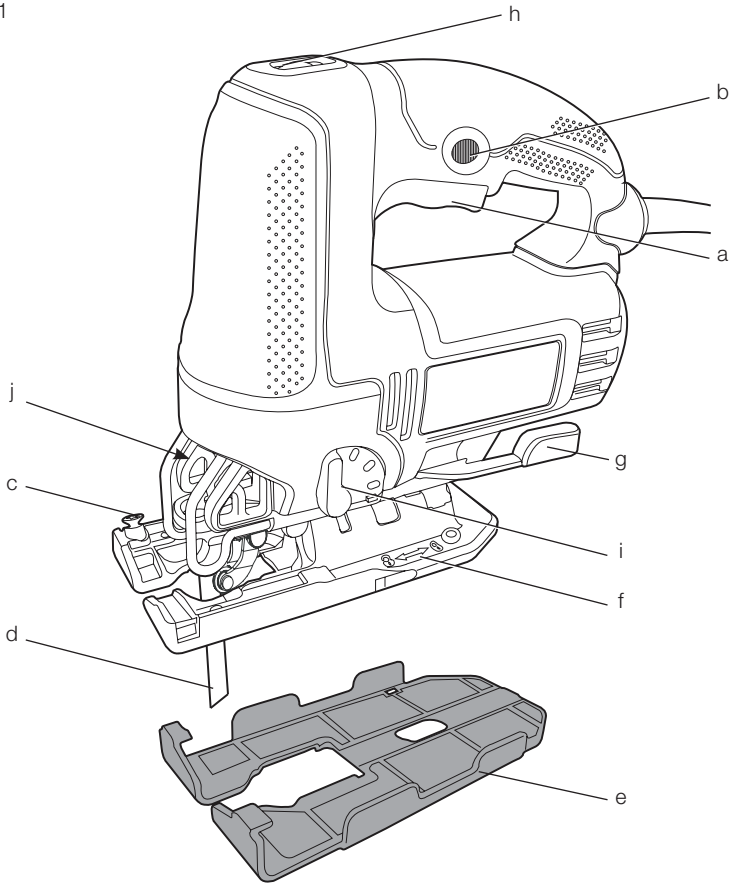


Figure 2

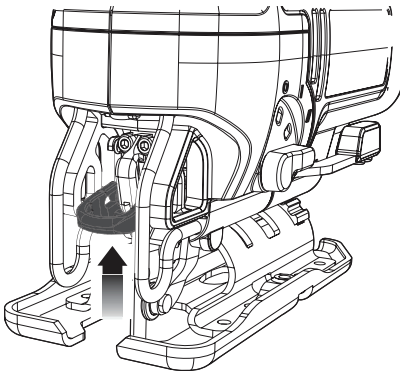


Figure 3

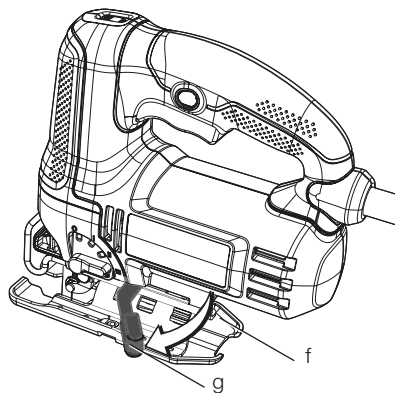


Figure 4

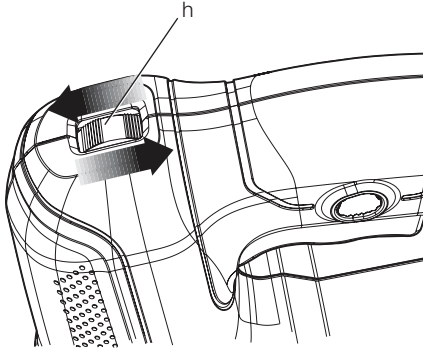


Figure 5

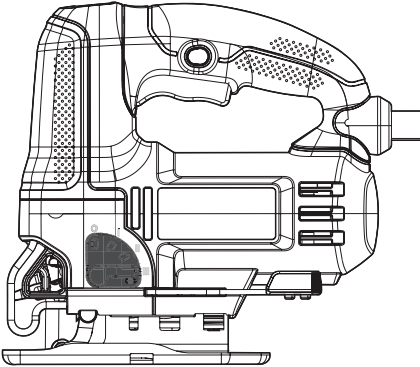


Figure 6

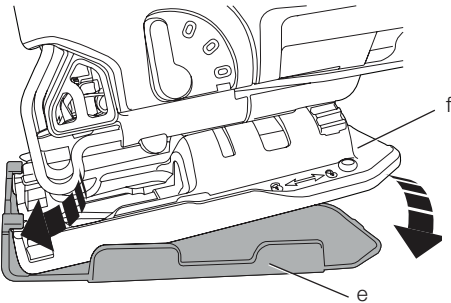


Figure 7

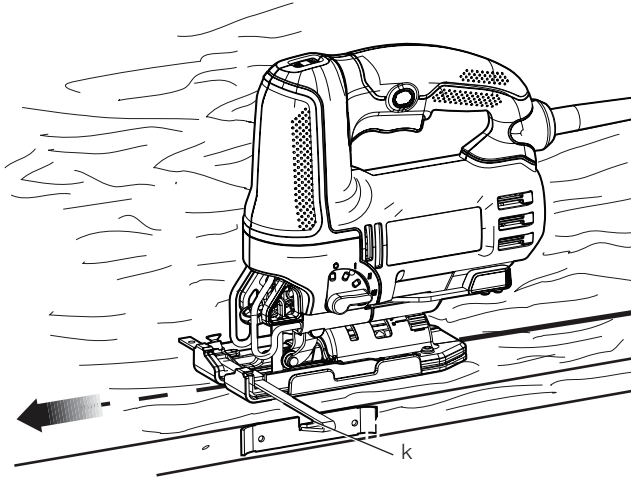
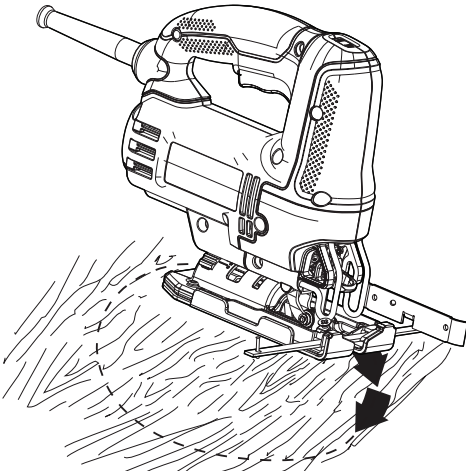


Figure 8



JIG SAW

DW349R

Congratulations!

You have chosen a DEWALT tool. Years of experience, thorough product development and innovation make DEWALT one of the most reliable partners for professional power tool users.

Technical Data

		DW349R-B1/XD	DW349R-KR	DW349R-A9	DW349R-TW
Voltage	V	220-240	220	220	110
Power input	W	500	500	500	500
Frequency	Hz	50	60	50	60
No-load speed	/min	800-3200	800-3200	800-3200	800-3200
Stroke length	mm	20	20	20	20
Weight	kg	2.7	2.7	2.7	2.7

Definitions: Safety Guidelines

The definitions below describe the level of severity for each signal word. Please read the manual and pay attention to these symbols.



DANGER: Indicates an imminently hazardous situation which, if not avoided, **will** result in **death or serious injury**.



WARNING: Indicates a potentially hazardous situation which, if not avoided, **could** result in **death or serious injury**.



CAUTION: Indicates a potentially hazardous situation which, if not avoided, **may** result in **minor or moderate injury**.

NOTICE: Indicates a practice **not related to personal injury** which, if not avoided, **may** result in **property damage**.



Denotes risk of electric shock.



Denotes risk of fire.



WARNING: To reduce the risk of injury, read the instruction manual.

General Power Tool Safety Warnings



WARNING Read all safety warnings and instructions Failure to follow the

warnings and instructions may result in electric shock, fire and/or serious injury.

SAVE ALL WARNINGS AND INSTRUCTIONS FOR FUTURE REFERENCE

The term "power tool" in the warnings refers to your mains-operated (corded) power tool or battery-operated (cordless) power tool.

1) WORK AREA SAFETY

- Keep work area clean and well lit.** Cluttered or dark areas invite accidents.
- Do not operate power tools in explosive atmospheres, such as in the presence of flammable liquids, gases or dust.** Power tools create sparks which may ignite the dust or fumes.
- Keep children and bystanders away while operating a power tool.** Distractions can cause you to lose control.

2) ELECTRICAL SAFETY

- Power tool plugs must match the outlet. Never modify the plug in any way. Do not use any adapter plugs with earthed (grounded) power tools.** Unmodified plugs and matching outlets will reduce risk of electric shock.
- Avoid body contact with earthed or grounded surfaces such as pipes, radiators, ranges and refrigerators.** There is an increased risk of electric shock if your body is earthed or grounded.
- Do not expose power tools to rain or wet conditions.** Water entering a power tool will increase the risk of electric shock.

- d) **Do not abuse the cord. Never use the cord for carrying, pulling or unplugging the power tool. Keep cord away from heat, oil, sharp edges or moving parts.** Damaged or entangled cords increase the risk of electric shock.
- e) **When operating a power tool outdoors, use an extension cord suitable for outdoor use.** Use of a cord suitable for outdoor use reduces the risk of electric shock.
- f) **If operating a power tool in a damp location is unavoidable, use a residual current device (RCD) protected supply.** Use of an RCD reduces the risk of electric shock.

3) PERSONAL SAFETY

- a) **Stay alert, watch what you are doing and use common sense when operating a power tool. Do not use a power tool while you are tired or under the influence of drugs, alcohol or medication.** A moment of inattention while operating power tools may result in serious personal injury.
- b) **Use personal protective equipment. Always wear eye protection.** Protective equipment such as dust mask, non-skid safety shoes, hard hat, or hearing protection used for appropriate conditions will reduce personal injuries.
- c) **Prevent unintentional starting. Ensure the switch is in the off position before connecting to power source and/or battery pack, picking up or carrying the tool.** Carrying power tools with your finger on the switch or energising power tools that have the switch on invites accidents.
- d) **Remove any adjusting key or wrench before turning the power tool on.** A wrench or a key left attached to a rotating part of the power tool may result in personal injury.
- e) **Do not overreach. Keep proper footing and balance at all times.** This enables better control of the power tool in unexpected situations.
- f) **Dress properly. Do not wear loose clothing or jewellery. Keep your hair, clothing and gloves away from moving parts.** Loose clothes, jewellery or long hair can be caught in moving parts.
- g) **If devices are provided for the connection of dust extraction and collection facilities, ensure these are connected and properly used.** Use of dust collection can reduce dust-related hazards.

4) POWER TOOL USE AND CARE

- a) **Do not force the power tool. Use the correct power tool for your application.** The correct power tool will do the job better and safer at the rate for which it was designed.
- b) **Do not use the power tool if the switch does not turn it on and off.** Any power tool that cannot be controlled with the switch is dangerous and must be repaired.
- c) **Disconnect the plug from the power source and/or the battery pack from the power tool before making any adjustments, changing accessories, or storing power tools.** Such preventive safety measures reduce the risk of starting the power tool accidentally.
- d) **Store idle power tools out of the reach of children and do not allow persons unfamiliar with the power tool or these instructions to operate the power tool.** Power tools are dangerous in the hands of untrained users.
- e) **Maintain power tools. Check for misalignment or binding of moving parts, breakage of parts and any other condition that may affect the power tool's operation. If damaged, have the power tool repaired before use.** Many accidents are caused by poorly maintained power tools.
- f) **Keep cutting tools sharp and clean.** Properly maintained cutting tools with sharp cutting edges are less likely to bind and are easier to control.
- g) **Use the power tool, accessories and tool bits etc., in accordance with these instructions taking into account the working conditions and the work to be performed.** Use of the power tool for operations different from those intended could result in a hazardous situation.

5) SERVICE

- a) **Have your power tool serviced by a qualified repair person using only identical replacement parts.** This will ensure that the safety of the power tool is maintained.

Additional Specific Safety Rules for Jig Saws

- **Hold power tools by insulated gripping surfaces, when performing an operation where the cutting accessory may contact hidden wiring or its own cord.** Cutting accessory contacting a "live" wire may make exposed metal parts of the power tool "live" and

could give the operator an electric shock.

- **Use clamps or another practical way to secure and support the work piece to a stable platform.** Holding the work by hand or against your body leaves it unstable and may lead to loss of control.
- **Keep hands away from cutting area.** Never reach underneath the material for any reason. Hold front of saw by grasping the contoured gripping area. Do not insert fingers or thumb into the vicinity of the reciprocating blade and blade clamp. Do not stabilize the saw by gripping the shoe.
- **Keep blades sharp.** Dull blades may cause the saw to swerve or stall under pressure.
- **When cutting pipe or conduit** ensure that they are free from water, electrical wiring, etc.
- **Allow the motor to come to a complete stop before withdrawing the blade from the kerf (the slot created by cutting).** A moving blade may impact the workpiece causing a broken blade, workpiece damage or loss of control and possible personal injury.
- **Do not touch the workpiece or the blade immediately after operating the tool.** They can become very hot.
- **Keep handles dry, clean, free from oil and grease.** This will enable better control of the tool.
- **Clean out your tool often, especially after heavy use.** Dust and grit containing metal particles often accumulate on interior surfaces and could create an electric shock hazard.
- **Do not operate this tool for long periods of time.** Vibration caused by the operating action of this tool may cause permanent injury to fingers, hands, and arms. Use gloves to provide extra cushion, take frequent rest periods, and limit daily time of use.
- **Avoid prolonged contact with dust from power sanding, sawing, grinding, drilling, and other construction activities. Wear protective clothing and wash exposed areas with soap and water.** Allowing dust to get into your mouth, eyes, or lay on the skin may promote absorption of harmful chemicals.

Symbols

The label on your tool may include the following symbols:

- V.....volts
- A.....amperes
- Hz.....hertz
- W.....watts
- min.....minutes
- ~alternating current
- ====direct current
- n_0no load speed
- ⓘClass I Construction
- ⊕earthing terminal (grounded)
- ⊞Class II Construction (double insulated)
- ⚠safety alert symbol
- .../minrevolutions or reciprocation per minute
- sfpm surface feet per minute

DATE CODE POSITION (FIG. 1)

The Date Code (n), which also includes the year of manufacture, is printed into the housing.

Example:

2010 XX XX

Year of Manufacture

Package Contents

The package contains:

- 1 Jig saw
- 1 Blade
- 1 Instruction manual
- 1 Warranty card
- 1 Service center list
- Check for damage to the tool, parts or accessories which may have occurred during transport.
- Take the time to thoroughly read and understand this manual prior to operation.

Markings on Tool

The following pictogram is shown on the tool:



Read instruction manual before use.

Description (fig. 1)



WARNING: Never modify the power tool or any part of it. Damage or personal injury could result.

- a. Trigger switch
- b. Lock-on button
- c. Saw blade locking lever
- d. Saw blade
- e. Shoe sleeve
- f. Shoe
- g. Shoe beveling lever
- h. Speed control wheel
- i. Cutting action lever
- j. LED Light

Electrical Safety



This tool is double insulated; therefore no earth wire is required. Always check that the power supply corresponds to the voltage on the rating plate

If the supply cord is damaged, it must be replaced by the manufacturer or an authorised DEWALT Service Centre in order to avoid a hazard.

INTENDED USE

This jig saw is designed for professional sawing applications.

DO NOT use under wet conditions or in presence of flammable liquids or gases.

This jia saw is a professional power tools.

DO NOT let children come into contact with the tool. Supervision is required when inexperienced operators use this tool.

- This tool is not intended for use by persons (including children) with reduced physical, sensory or mental capabilities, or lack of experience and knowledge, unless they have been given supervision or instruction concerning use of the appliance by a person responsible for their safety. children should be supervised to ensure that they do not play with the appliance.

OPERATION



Warning: Before attempting any of the following operations, make sure that the tool is switched off and unplugged and that the saw blade has stopped. used saw blades can be hot. The tool always is supplied via residual current device with a rated residual current 30mA or less.

Blade Installation (fig 2)

1. Push the saw blade locking lever (c) upward.
2. With teeth facing forward, insert the shank of the saw blade into the blade holder as far as it will go.
3. Release the lever.
4. Check to ensure blade is secure before cutting.

Adjusting the Shoe for Bevel Cuts (fig. 3)



WARNING: Never use the tool when the shoe is loose or removed. The shoe plate can be set to a left or right bevel angle of up to 45°.

TO SET THE BEVEL ANGLE

1. Pull the shoe beveling lever (g) out and away from the saw to unlock the shoe (f) as shown in Figure 3.
2. Slide the shoe forward to release it from the 0° positive stop position.
3. The shoe can be beveled to the left or to the right and has detents at 15°, 30° and 45°.
4. Set the shoe to the desired bevel angle. Use a protractor to verify angle accuracy.
5. Push the shoe beveling lever back towards the saw to lock the shoe.

TO RESET THE SHOE FOR STRAIGHT CUTS

1. Pull the shoe beveling lever (g) out and away from the saw to unlock the shoe (f) as shown in figure 3.
2. Rotate shoe to an angle of approximately 0° and then pull shoe backwards to engage the 0° positive stop.
3. Push the shoe beveling lever back towards the saw to lock the shoe.

Switching On and Off

1. To switch the tool on, squeeze the trigger switch (a).
2. For continuous operation, squeeze the trigger switch then depress the lock-on button (b). Once lock-on button is depressed, release the trigger switch.
3. To switch the tool off, release the trigger switch. To switch the tool off, when in continuous operation, squeeze the trigger and the lock will disengage.

Variable Speed Control (fig. 4)

A speed control wheel (h) is located on the top of the saw. The speed increases as the wheel is turned from a low speed setting of 1 to a high speed setting of 7.

Cutting Action – Orbital or Straight (fig. 5)



WARNING: Check that the tool is not locked **ON** before connecting it to a power supply. If the trigger switch is locked on when the tool is connected to the power supply, it will start immediately. Damage to your tool or personal injury may result. This jig saw is equipped with four cutting actions, three orbital and one straight. Orbital action has a more aggressive blade motion and is designed for cutting in soft materials like wood or plastic. Orbital action provides a faster cut, but with a less smooth cut across the material. In orbital action, the blade moves forward during the cutting stroke in addition to the up and down motion.

NOTE: Metal or hardwoods should never be cut in orbital action.

TO ADJUST THE CUTTING ACTION

1. Move the cutting action lever (i) between the four cutting positions: 0, 1, 2, and 3.
2. Position 0 is straight cutting.
3. Positions 1, 2, and 3 are orbital cutting.

The aggressiveness of the cut increases as the lever is adjusted from one to three, with three being the most aggressive cut.

LED Light

The jig saw is equipped with a light which projects on the cutting path.

The light will come on when the trigger switch is depressed and will go off when the trigger switch is released.

Removable Shoe Sleeve (fig. 6)

The non-marring shoe sleeve (e) should be used when cutting surfaces that scratch easily, such as laminate, veneer, or paint. It can also be used to protect the shoe surface during transportation and storage.

To attach shoe sleeve, place the front of the shoe (f) into the front of the shoe sleeve (e) and lower the jig saw as shown in figure 6. The shoe sleeve will click securely onto the rear of the shoe.

To remove shoe sleeve, grasp the sleeve from the bottom at the two rear tabs and pull down and away from the shoe.

Hints for Optimum Use

SAWING LAMINATES

As the saw blade cuts on the upward stroke, splintering may occur on the surface closest to the shoe plate.

- Use a fine-tooth saw blade.
- Saw from the back surface of the workpiece.
- To minimize splintering, clamp a piece of scrap wood or hardboard to both sides of the workpiece and saw through this sandwich.

SAWING METAL

- Be aware that sawing metal takes much more time than sawing wood.
- Use a saw blade suitable for sawing metal.
- When cutting thin metal, clamp a piece of scrap wood to the back surface of the workpiece and cut through this sandwich.
- Spread a film of oil along the intended line of cut for easier operation and longer blade life. For cutting aluminum, kerosene is preferred.

Rip/Circle Cutting (fig. 7, 8)

Ripping and circle cutting without a pencil line are easily done with the rip fence / circle guide (not included; available at extra cost).

Using the screw supplied with the accessory guide, position as shown in figure 7 and thread the screw into the shoe to clamp the fence securely.

When ripping, position as shown in figure 7 and slide the rip fence under the screw from either side of the saw. Set the cross bar (j) at desired distance from blade and tighten screw. For ripping, the cross bar should be down and against the straight edge of the workpiece as shown.

When circle cutting, adjust rip fence so that distance from blade to hole in fence arm (k) is at the desired radius and tighten screw. Place saw so that hole in fence arm is over center of circle to be cut (drill hole for blade or cut inward from edge of material to get blade into position). When saw is properly positioned, drive a small nail through hole in fence arm. Using rip fence as a pivot arm, begin cutting

circle. For circle cutting, the cross bar should be up, as shown in figure 8.

MAINTENANCE

Your DEWALT power tool has been designed to operate over a long period of time with a minimum of maintenance. Continuous satisfactory operation depends upon proper tool care and regular cleaning.

- Regularly clean the ventilation slots in your tool using a soft brush or dry cloth.
- Regularly clean the motor housing using a damp cloth. Do not use any abrasive or solvent-based cleaner.



Lubrication

Your power tool requires no additional lubrication.



Cleaning



WARNING: Blow dirt and dust out of the main housing with dry air as often as dirt is seen collecting in and around the air vents. Wear approved eye protection and approved dust mask when performing this procedure.



WARNING: Never use solvents or other harsh chemicals for cleaning the non-metallic parts of the tool. These chemicals may weaken the materials used in these parts. Use a cloth dampened only with water and mild soap. Never let any liquid get inside the tool; never immerse any part of the tool into a liquid.

Optional Accessories



WARNING: Since accessories, other than those offered by DEWALT, have not been tested with this product, use of such accessories with this tool could be hazardous. To reduce the risk of injury, only DEWALT, recommended accessories should be used with this product.

Consult your dealer for further information on the appropriate accessories.

Protecting the Environment



Separate collection. This product must not be disposed of with normal household waste.



Should you find one day that your DEWALT product needs replacement, or if it is of no further use to you, do not dispose of it with household waste. Make this product available for separate collection.



Separate collection of used products and packaging allows materials to be recycled and used again. Re-use of recycled materials helps prevent environmental pollution and reduces the demand for raw materials.

Local regulations may provide for separate collection of electrical products from the household, at municipal waste sites or by the retailer when you purchase a new product.

DEWALT provides a facility for the collection and recycling of DEWALT products once they have reached the end of their working life. To take advantage of this service please return your product to any authorised repair agent who will collect them on our behalf.

You can check the location of your nearest authorised repair agent by contacting your local DEWALT office at the address indicated in this manual. Alternatively, a list of authorised DEWALT repair agents and full details of our after-sales service and contacts are available on the Internet at: www.2helpU.com

曲线锯

DW349R

恭喜！

感谢您选购 DEWALT 工具。凭借多年的产品开发和创新能力，DEWALT 已经成为专业电动工具用户最可靠的合作伙伴之一。

技术参数

		DW349R-B1/XD	DW349R-KR	DW349R-A9	DW349R-TW
电压	V	220-240	220	220	110
输入功率	W	500	500	500	500
频率	Hz	50	60	50	60
空载转速	/min	800-3200	800-3200	800-3200	800-3200
冲程长度	mm	20	20	20	20
重量	kg	2.7	2.7	2.7	2.7

定义：安全指引

下列定义描述了各警示词的严重程度。请仔细阅读本手册，并注意这些警示符号。



危险：表示存在紧急危险情况，如果不加以避免，**将导致死亡或严重伤害。**



警告：表示存在潜在危险情况，如果不加以避免，**可能导致死亡或严重伤害。**



警示：表示存在潜在危险情况，如果不加以避免，**可能导致轻度或中度伤害。**

注意：表示不涉及人身伤害的情况，如果不加以避免，**可能导致财产损失。**



表示存在触电危险。



表示存在火灾危险。



警告：为降低伤害风险，**请阅读使用手册。**

电动工具通用安全警告



警告！阅读所有警告和所有说明。不遵照以下警告和说明会导致电击、着火和/或严重伤害。

保存所有警告和说明书以备将来查阅

在所有下列警告中术语“电动工具”指市电驱动（有线）电动工具或电池驱动（无线）电动工具。

1) 工作场地的安全

- 保持工作场地清洁和明亮。**混乱和黑暗的场所会引发事故。
- 不要在易爆环境，如有易燃液体、气体或粉尘的环境下操作电动工具。**电动工具产生的火花会点燃粉尘或气体。
- 让儿童和旁观者离开后操作电动工具。**注意力不集中会使操作者失去对工具的控制。

2) 电气安全

- 电动工具插头必须与插座相配。绝不能以任何方式改装插头。**需接地的电动工具不能使用任何转换插头。未经改装的插头和相配的插座将减少电击危险。
- 避免人体接触接地表面，如管道、散热片、冰箱。**如果你身体接地会增加电击危险。
- 不得将电动工具暴露在雨中或潮湿环境中。**水进入电动工具将增加电击危险。
- 不得滥用电线。绝不能使用电线搬运、拉动电动工具或拔出其插头。**使电线远离热源、油、锐边或运动部件。受损或缠绕的软线会增加电击危险。
- 当在户外操作电动工具时，使用适合户外使用的外接软线。**适合户外使用的软线将减少电击的危险。
- 如果在潮湿的环境下操作电动工具是不可避免的，应使用剩余电流动作保护器 (RCD)。**使用 RCD 可减小电击的危险。

3) 人身安全

- a) 保持警觉。当操作电动工具时关注所从事的操作并保持清醒。当你感到疲倦，或在有药物、酒精或治疗反应时，不要操作电动工具。在操作电动工具时瞬间的疏忽会导致严重人身伤害。
- b) 使用个人防护装置。始终佩戴护目镜。安全装置，诸如适当条件下使用防尘面具、防滑安全鞋、安全帽，听力防护等装置能减少人身伤害。
- c) 防止意外起动。确保开关在连接电源和/或电池盒、拿起或搬运工具时处于关断位置。手指放在已经接通电源的开关上或开关处于接通时插入插头可能会导致危险。
- d) 在电动工具接通之前，拿掉所有调节钥匙或扳手。遗留在电动工具旋转零件上的扳手或钥匙会导致人身伤害。
- e) 手不要伸得太长。时刻注意立足点和身体平衡。这样在意外情况下能很好地控制电动工具。
- f) 着装适当。不要穿宽松的衣服或佩戴饰品。让衣服、手套和头发远离运动部件。宽松衣服、配饰或长发可能会卷入运动部件中。
- g) 如果提供了与排屑装置、集尘设备连接用的装置，要确保这些装置连接完好且使用得当。使用这些装置可减少碎屑引起的危险。

4) 电动工具的使用和注意事项

- a) 不要滥用电动工具。根据用途使用适当的电动工具。选用适当设计的电动工具会使你工作更有效、更安全。
- b) 如果开关不能接通或关断工具电源，则不能使用该电动工具。不能用开关来控制的电动工具是危险的且必须进行修理。
- c) 在进行任何调节、更换附件或贮存电动工具之前，必须从电源上拔掉插头和/或使电池盒与工具脱开。这种防护性措施将减少工具意外起动的危险。
- d) 将闲置不用的电动工具贮存在儿童所及范围之外，并且不要让不熟悉电动工具或对这些说明不了解的人操作电动工具。电动工具在未经培训的用户手中是危险的。
- e) 保养电动工具。检查运动部件是否调整到位或卡主、检查零件破损情况和影响电动工具运行的其他状况。如有损坏，电动工具应在使用前修理好。许多事故由维护不良电动工具所引发。
- f) 保持切削刀具锋利和清洁。保养良好的有锋利切削刃的刀具不易卡住而且更容易控制。
- g) 按照使用说明书，考虑作业条件和进行的工作来使用电动工具、附件和工具的刀头等。将电动工具用于那些与其用途不符的操作可能会导致危险。

E) 维修

- a) 将你的电动工具送交专业维修人员，使用同样的备件进行修理。这样将确保所维修的电动工具的安全性。

曲线锯的附加安全细则

- 在切削附件可能触及暗线或其自身软线之处进行操作时，要通过绝缘握持面来握持工具。切削附件碰到带电导线会使工具外露的金属零件带电从而使操作者受到电击。
- 使用夹具或其他可行方法来固定和支撑工件，将其固定到稳定的平台上。用手抓住工件或用身体抵住工件并不稳定，可能会导致工件失控。
- 双手远离锯切区域。无论出于何种原因，都不能把手伸到材料下方。请握住电锯前部的波纹状握持区域。切勿将手指或拇指伸入正在往复切割的锯片和锯片夹周围。切勿通过抓住导板来稳定电锯。
- 保持锯片锋利。粗钝的锯片可能会导致电锯在压力下突然转向或停转。
- 锯切管道或导管时，请确保管道或导管中没有水或电线等障碍物。
- 等到电机完全停止后，再将锯片从切口（锯切产生的槽口）中抽出。运转中的锯片可能会冲击工件，从而导致锯片折断、工件损坏或失控，并且可能造成人身伤害。
- 使用完工具后，不要立即触碰工件或锯片。它们可能会变得很烫。
- 保持手柄干燥、清洁、无油或油脂。这样能够提高工具的操控性。
- 经常清洁工具，尤其是在长时间使用后。带有金属屑的粉尘和磨粒常常会在外表面聚积，并且可能会引起触电危险。
- 切勿长时间操作此工具。本工具运行引起的震动可能对手指、手部和手臂造成永久伤害。使用手套提供额外缓冲，经常停下休息，并限制使用时间。
- 避免长时间接触与电动砂光、锯切、磨削、钻孔及其他建筑活动产生的粉尘。身穿防护服，用肥皂和水清洗暴露在粉尘下的区域。粉尘进入您的嘴巴、眼睛或接触到您的皮肤可能会让您吸收到有害的化学物质。

工具上的标记

工具上显示了以下标志：



使用前请阅读使用手册。

符号

工具上的标签可能包含以下符号：

- V..... 伏特
- A..... 安培
- Hz..... 赫兹
- W..... 瓦特
- min..... 分钟
- ~ 交流电
- ==..... 直流电
- n_0 空载转速
- ⓘ I 级结构
- Ⓧ 接地端子（接地）
- Ⓜ II 级结构
（双重绝缘）
- △ 安全警示标志
- .../min... 每分钟旋转或往复
次数
- sfpm 每分钟表面切割长度（英尺）

日期码位置（图 1）

日期码 (n) 印在工具外壳上，其中还包含制造年份。

例如：

2013 XX XX
制造年份

包装内的物品

本产品包装内含有：

- 1 台曲线锯
- 1 片锯片
- 1 本使用手册
- 1 张保修卡
- 1 份服务中心列表
- 检查工具、部件或附件是否在运输过程中损坏。
- 操作前，请抽空仔细阅读并掌握本手册。

说明（图 1）



警告：切勿改装电动工具或其任何部件，否则可能会导致损坏或人身伤害。

- a. 触发开关
- b. 锁定按钮

- c. 锯片锁定杆
- d. 锯片
- e. 导板保护套
- f. 导板
- g. 导板倾角控制杆
- h. 调速轮
- i. 锯切模式拨杆
- j. LED 指示灯

电气安全



本工具采用双重绝缘，因此无需接地线。请务必检查电源电压是否与铭牌上的电压一致。

如果电源线损坏，必须让制造商或 DeWALT 授权服务中心更换以避免发生危险。

设计用途

此曲线锯设计用于专业锯切。

禁止在潮湿环境中或在有易燃液体或气体的环境中使用本工具。

此曲线锯是专业的电动工具。

请勿让儿童接触本工具。缺乏经验的操作员需要在监督下使用本工具。

- 体力、感官或智力不足，或者缺乏经验及知识的人员（包括儿童）不适合使用本工具，除非负责他们安全的人员已经为他们提供关于使用此设备的监督或指示。必须监督儿童，确保他们没有耍玩设备。

操作



警告：进行以下操作前，请确保本工具已关闭、断开电源且锯片已停止运转。刚用过的锯片可能会带有高温。工具应始终配备额定剩余电流小于或等于 30mA 的漏电保护器。

锯片安装（图 2）

1. 将锯片锁定杆 (c) 向上推。
2. 保持锯齿朝前，将锯片柄尽可能插入锯片座中。
3. 释放锁定杆。
4. 切割前，检查并确保锯片已固定。

调整导板以进行斜切（图 3）



警告：导板松动或卸下时，切勿使用本工具。导板最多可调设为向左或向右倾斜 45°。

下，锯片除了上下移动外，还会向前移动。

设定斜角

1. 如图 3 所示，将导板倾角控制杆 (g) 从电锯中拉出，解除导板 (f) 锁定。
2. 将导板向前滑动，以使其从 0° 前挡块位置释放。
3. 导板可以向左或向右倾斜，并且在 15°、30° 和 45° 的位置分别设有卡位装置。
4. 将导板设为所需的斜角。使用量角器来验证角度的准确性。
5. 将导板倾角控制杆朝电锯方向回推，以锁定导板。

重新设置导板，以进行直线切割

1. 如图 3 所示，将导板倾角控制杆 (g) 从电锯中拉出，解除导板 (f) 锁定。
2. 将导板旋至大约 0° 的位置，然后向后拉动导板，使 0° 前挡块啮合。
3. 将导板倾角控制杆朝电锯方向回推，以锁定导板。

开启和关闭

1. 若要开启工具，请按压触发开关 (a)。
2. 要进行连续操作，请按压触发开关，然后按下锁定按钮 (b)。按下锁定按钮后，松开触发开关。
3. 若要关闭工具，请松开触发开关。要进行连续操作，请按压触发开关，锁定将会解除。

变速控制（图 4）

电锯顶部设有调速轮 (h)。将调速轮从低速设定 1 转到高速设定 7 时，工具速度会随之增加。

锯切模式 – 轨道式或直线式（图 5）



警告：接通电源前，请确保工具未处于锁定状态。如果在触发开关处于锁定状态时接通电源，工具将会立即启动。这可能会造成工具损坏或人身伤害。本曲线锯具有四种锯切模式，包括三种轨道模式和一种直线模式。轨道式锯切的锯片动作更剧烈，该模式专用于切割木材或塑料等软质材料。轨道式锯切的切割速度更快，但切割材料的切口不够平滑。在轨道模式

下，锯片除了上下移动外，还会向前移动。

注：切勿在轨道模式下切割金属或硬木。

调整锯切模式

1. 将锯切模式拨杆 (i) 在以下四个模式位置之间移动：0、1、2 和 3。
2. 位置 0 是直线式切割。
3. 位置 1、2 和 3 都是轨道式切割。

随着拨杆从位置 1 调整到位置 3，切割强度会不断增加，在位置 3 时强度最大。

LED 指示灯

曲线锯配备一个指示灯，用于指示切割路径。

按下触发开关时，指示灯亮起；松开触发开关时，指示灯熄灭。

可拆卸导板保护套（图 6）

切割易划伤表面（如层压板、胶合板或油漆面）时，应使用防刮导板保护套 (e)。保护套也可以在运输和存放过程中保护导板表面。

要套上导板保护套，请将导板 (f) 的前部放入导板保护套 (e) 的前端，然后放下曲线锯，如图 6 所示。导板保护套将牢牢扣在导板后部。

要取下导板保护套，请从底部抓住保护套后侧的两个凸台，将其从导板中拉开。

最佳使用提示

切割层压板

电锯沿着上行轨迹切割时，在最靠近导板的表面可能会出现碎裂痕迹。

- 使用细齿锯片。
- 从工件的背面锯切。
- 为了减少碎裂情况，可在工件两面各用一块废木料或硬纸板夹紧，然后将此三层材料一起切割。

锯切金属

- 请注意，锯切金属花费的时间比锯切木材要长得多。
- 请使用适合锯切金属的锯片。
- 切割薄金属板时，在工件的背面垫一块废木料，然后将这两层材料一起切割。
- 沿着锯切线路涂一层油，可使操作更易进行，并且可以延长锯片寿命。如切割铝制材料，最好使用煤油。

纵向/圆周切割（图 7、8）

使用平行挡板/截圆器（未提供，需另行购买）可轻松进行纵向/圆周切割，无需画铅笔线。

使用附件指南随附的螺钉，按图 7 所示放置，然后将螺钉拧进导板中以夹紧挡板。

进行纵向切割时，将平行挡板按图 7 所示放置后，在螺钉下从电锯任一侧滑动平行挡板。根据需要调整横杆 (j) 与锯片之间的距离，然后拧紧螺钉。纵向锯切时，横杆应向下并顶住工件的直边（如图所示）。

进行圆周切割时，请调整平行挡板，使锯片与平行挡板臂 (k) 上的圆孔之间的距离等于所需半径，然后拧紧螺钉。调整电锯的位置，使挡板臂上的圆孔对准圆周的圆心（请钻孔放置锯片，或从材料边缘向内切割到所需位置）。将电锯放在适当的位置后，在圆孔中钉入一枚小钉子。把平行挡板用作枢轴臂，开始切割圆周。进行圆周切割时，横杆应向上，如图 8 所示。

维护

DeWALT 电动工具设计精良，可以长期使用，而且只需最少的维护。要持续获得令人满意的工作效果，需要对工具进行适当的保养和定期清洁。

- 定期使用软刷或干布清洁工具内的通风槽。
- 定期使用湿布清洁电机外壳。请勿使用任何研磨性或溶剂型清洁剂。



润滑

本电动工具无需另行润滑。



清洁



警告：一旦看到通风口及其周围积聚了尘屑，请用干燥的空气将灰尘和尘屑从主机外壳内吹出。执行此过程时，需戴上经认可的护目装备和防尘面具。



警告：切勿使用溶剂或其他刺激性化学制品来清洁工具的非金属部件。这些化学物质可能会削弱这些部件使用的材料。请用布蘸温和的肥皂水擦

拭。切勿让任何液体渗入工具，切勿让工具的任何部分浸在液体中。

可选附件



警告：由于非得伟附件未经本产品匹配测试，本工具若使用此类附件，将存在隐患。为降低伤害风险，本产品仅可使用得伟推荐的配件。

请向您的经销商咨询更多关于合适附件的信息。

环境保护



由于非得伟附件未经本产品匹配测试，本工具若使用此类附件，将存在隐患。为降低伤害风险，本产品仅可使用得伟推荐的配件。

如果您发现您的得伟产品需要进行更换，或您已经不再需要使用这些产品，请不要将它们与家庭垃圾一起处理。请将它们分类回收。



旧产品及包装的分类回收可使回收材料得以再度循环和利用。再生材料的再利用有助于防止环境污染，并降低对原材料的需求。

当地法规可能要求由市政废物处理点或向您出售新产品的零售商提供从家庭中分类回收电气产品的服务。

得伟提供设施收集和再循环利用使用寿命到期的得伟产品。若要享受这项服务，请将产品送回任一授权维修代理，他们将代表我们回收您的产品。

您可通过联系本手册中所载的当地得伟办事处查询最靠近您的授权维修代理的位置。您也可以通过网站获得得伟授权维修代理列表以及我们售后服务与联络人的完整详情，网址为：www.2helpU.com。

制造商：百得美国公司

地址：701 E Joppa Rd, TW050 MD 21286,

Towson, 美国

原产地：江苏苏州

線鋸機

DW349R

恭喜閣下！

感謝您選購 DEWALT 工具。憑藉多年的產品開發和創新經驗，DEWALT 已成為專業電動工具使用者最信賴的夥伴之一。

技術資料

		DW349R-B1/XD	DW349R-KR	DW349R-A9	DW349R-TW
電壓	伏特	220-240	220	220	110
功率輸入	瓦特	500	500	500	500
頻率	赫茲	50	60	50	60
空載轉速	轉/分	800-3200	800-3200	800-3200	800-3200
行程長度	公釐	20	20	20	20
重量	公斤	2.7	2.7	2.7	2.7

定義：安全指南

以下定義描述了每一個詞彙的嚴重程度。請閱讀本手冊並注意這些符號。



危險：表示緊急危險情況，若未能避免，將導致死亡或嚴重傷害。



警告：表示潛在危險情況，若未能避免，可能導致死亡或嚴重傷害。



小心：表示潛在危險情況，若未能避免，可能導致輕微或中度傷害。

注意：表示一種非人身傷害的行為，若未能避免，可能導致財產損失。



表示觸電危險。



表示火災危險。



警告：為了降低受傷的風險，必須仔細閱讀使用手冊。

電動工具一般安全警告



警告請閱讀所有安全警告及指示不遵循

這些警告和指示可能會導致觸電、火災及/或嚴重傷害。

請妥善保存所有的警告和使用手冊以備將來查閱

警告中的名詞「電動工具」是指電源驅動（插電）電動工具，或者電池驅動（充電）電動工具。

1) 工作場地安全

- 保持工作場地清潔和明亮。混亂或黑暗的場地會引發事故。
- 不要在易爆環境，如有易燃液體、氣體或粉塵的環境中操作電動工具。電動工具產生的火花可能會點燃粉塵或氣體。
- 請等待兒童和旁觀者離開之後才操作電動工具。分心會導致您疏於控制。

2) 電氣安全

- 電動工具插頭必須與插座相符。請勿以任何方式改裝插頭。需接地的電動工具不能使用任何配接器插頭。未經改裝的插頭和相符的插座可以減少觸電危險。
- 避免人體接觸接地表面，如管道、散熱片、爐灶和冰箱。若您的身體接地，會增加觸電危險。
- 不得將電動工具暴露在雨中或潮濕環境中。水進入電動工具會增加觸電危險。
- 請勿濫用電線。請勿使用電線來搬運、拉動電動工具或拔出插頭。讓電線遠離熱、油、銳邊或活動部件。受損或纏繞的電線會增加觸電危險。
- 若要在戶外使用電動工具，請使用適合戶外使用的延長電線。使用適合戶外使用的電線可減少觸電危險。
- 若必須在潮濕場合使用電動工具，請使用漏電保護器 (RCD)。使用 RCD 可降低觸電危險。

3) 人身安全

- a) 保持警覺；在操作電動工具時，請留意所執行的操作並按照一般的流程執行。不要在疲倦，或受到藥物、酒精或治療的影響下操作電動工具。操作電動工具期間注意力分散會導致嚴重人身傷害。
- b) 使用個人防護裝置。始終佩戴護目裝備。防護裝置，例如在適當條件下使用的防塵面具、防滑安全鞋、安全帽或聽力保護等裝置可減少人身傷害。
- c) 避免意外啟動。連接電源及/或電池組、舉抬或搬運電動工具之前，請確定開關處於關閉位置。搬運電動工具時若將手指放在開關上，或電動工具接通電源時開關處於開啟位置都會引發危險。
- d) 啟動電動工具之前，請卸下所有的調整鑰匙或扳手。遺留在電動工具旋轉部件上的扳手或鑰匙會導致人身傷害。
- e) 不要過度伸張雙手。時刻注意腳下和身體的平衡。如此即可在發生意外的情況下更好地控制電動工具。
- f) 適當穿著。不要穿寬鬆衣服或佩戴飾品。讓您的頭髮、衣服和手套遠離活動部件。寬鬆衣服、佩飾或長髮可能會捲入活動部件。
- g) 若配備用於連接排屑裝置、集塵設備的裝置，請確定正確連接和使用這些裝置。使用集塵設備可減少與粉塵有關的危險。

4) 電動工具的使用與維護

- a) 不要超負荷使用電動工具。根據您的用途使用適當的電動工具。使用適當的電動工具在其設計可負荷的應用內，會讓您更有效、更安全地執行工作。
- b) 若開關不能開啟或關閉電源，請勿使用該電動工具。不能用開關來控制的電動工具將存在危險，因此必須進行修理。
- c) 在執行任何調整、更換配件或儲存電動工具之前，請從電源上拔掉插頭及/或從電動工具上卸下電池組。這類防護性安全措施可降低電動工具意外啟動的風險。
- d) 將閒置的電動工具儲存在兒童無法接觸的地方，並且不要讓不熟悉電動工具或對這些使用指示不瞭解的人員操作電動工具。電動工具在未經培訓的使用者手中會發生危險。
- e) 維護電動工具。檢查活動部件是否對準或卡住、破損情況以及是否存在影響電動工具運行的其他情況。若有損毀，必須在使用之前修理電動工具。許多事故都是由於電動工具欠缺維護所導致。
- f) 保持切削工具鋒利和清潔。妥善維護的帶利刃的切削工具不會輕易卡住並可更輕鬆控制。

- g) 使用電動工具、配件和工具刀頭等時，請遵循這些指示使用，且指示須包含工作環境和所要執行工作的注意事項。不按照設計目的使用電動工具會導致危險。

5) 檢修

- a) 本電動工具必須由合格的維修人員並只採用相同的替換零件來執行檢修。這樣將確保電動工具的安全。

線鋸機的其他特殊安全規定

- 若在執行操作時切割配件可能會接觸隱藏的電線或它本身的電線，則只能從絕緣手柄表面握住電動工具。若切削配件接觸到「帶電」導線，電動工具金屬部件表面就會「帶電」，從而導致操作人員觸電。
- 使用夾具或採取其他可行的方法，將工件固定、支撐到穩定的平台上。手持工件或用身體抵住工件會使工件不穩定並可能導致失控。
- 請讓雙手遠離鋸切區域。不論因為任何理由，都不要接觸切割材料下方。握緊電鋸前部的波紋狀握持區。切勿將手指或拇指伸向正在往復切割的鋸片和鋸片夾的周圍。切勿透過抓住導板來穩固電鋸。
- 保持鋸片鋒利。粗鈍的鋸片可能會導致電鋸在壓力下突然轉向或停轉。
- 切割管道或導管時，請確保管道或導管裡無水、無電線等。
- 讓電機完全停止後，才將鋸片從切口（切割產生的槽口）中抽出來。運轉中的鋸片可能會衝擊工件，從而導致鋸片折斷、工件損壞或失控，並可能造成人身傷害。
- 操作工具後，不要立即觸碰工件或鋸片。工件或鋸片的溫度可能會非常高。
- 保持手柄乾燥、清潔、無油脂。如此即可更好地操控工具。
- 經常清潔工具，尤其是長時間使用後。帶有金屬屑的粉塵和磨粒常常會在外表面聚積，並且可能會引起觸電危險。
- 切勿長時間操作此工具。本工具運行引起的震動可能對手指、手部和手臂造成永久傷害。使用手套加強保護，不時停下休息，並限制每天使用的時間。
- 避免與電動砂光、切鋸、打磨、鑽孔以及其他建造操作所導致的粉塵長時間接觸。身穿防護服，用肥皂和水將所接觸到的區域清洗乾淨。別讓粉塵進入或接觸到您的嘴巴、眼睛或皮膚！您的身體可能會吸收有害的化學物質。

工具上的標誌





工具上可能會附帶下列圖示：



使用前請閱讀使用手冊。

符號

您的工具上可能包含下列符號：

- V..... 伏特
- A..... 安培
- Hz..... 赫茲
- W..... 瓦特
- min..... 分鐘
- ~ 交流電
- ==..... 直流電
- n_0 空載轉速
- ..... I 級結構
- ..... 接地終端（接地）
- ..... II 級結構
（雙重絕緣）
- ..... 安全警告符號
- .../min... 每分鐘旋轉
或鋸切數
- sfpm 每分鐘表面切割長度（英尺）

日期代碼位置（圖 1）

日期代碼 (n) 亦包括製造 年份，已印刷在工具外殼上。

範例：

2013 XX XX

製造年份

套裝內的物件

本套裝包括：

- 1 台線鋸機
- 1 片鋸片
- 1 本使用手冊

- 檢查工具、部件或配件有否在運送途中損壞。
- 操作前，請抽空徹底地閱讀和掌握本說明書的內容。

說明（圖 1）



警告：切勿改動本電動工具或其任何部件，否則可能導致損壞或人身傷害。

- a. 觸發開關
- b. 鎖定按鈕
- c. 鋸片鎖定桿
- d. 鋸片
- e. 導板保護套
- f. 導板
- g. 導板斜角控制桿
- h. 調速輪
- i. 鋸切模式撥桿
- j. LED 指示燈

電氣安全



本工具採用雙重絕緣，因此無需接地線。請務必檢查電源電壓是否與銘牌一致。

若電源線損毀，必須讓製造廠商或 DeWALT 授權服務中心進行更換以避免發生危險。

設計用途

此線鋸機專用於專業切割。

切勿在潮濕有水或存有易燃液體或氣體的環境下使用工具。

此線鋸機是專業的電動工具。

不要讓兒童接觸本工具。缺乏經驗的操作人員需要在監督下使用本工具。

- 體力、感覺或智力不足，或者缺乏經驗及知識的人員（包括小孩）不適合使用本工具，除非負責他們安全的人員已經為他們提供關於使用此工具的監督或指示。必須監督小孩，確保他們沒有耍玩本工具。

操作



警告：執行以下操作前，請確保本工具已關閉，斷開電源且鋸片已停止旋轉。剛使用過的鋸片可能會帶有很高溫度。工具應始終配備額定漏電動作電流為 30mA 或以下的漏電保護器。

鋸片安裝（圖 2）

1. 將鋸片鎖定桿 (c) 向上推。
2. 保持鋸齒朝前，將鋸片柄儘可能插入鋸片中。
3. 釋放鎖定桿。

4. 切割前請檢查以確保鋸片已固定。

鋸片的動作更劇烈，專用於切割軟質材料，例如木材或塑料等。軌道式作業的切割速度更快，但切割材料的切口不夠平滑。在軌道式作業中，除了上下移動外，鋸片在切割過程中還可向前移動。

調整導板以進行斜切（圖 3）



警告：導板鬆動或卸下時，切勿使用本工具。導板可調設為向左或向右最大 45° 斜角。

設定斜角

1. 如圖 3 所示，將導板斜角控制桿 (g) 從電鋸上拉出來，解除導板 (f) 的鎖定。
2. 將導板向前滑動，以使其從 0° 前擋塊位置脫離。
3. 導板可以向左或向右傾斜，並在 15°、30° 和 45° 的位置設有卡位裝置。
4. 將導板設為所需的斜角。使用量角器來檢驗角度的準確性。
5. 將導板斜角控制桿朝電鋸方向回推，以鎖定導板。

重設導板以進行直線切割

1. 如圖 3 所示，將導板斜角控制桿 (g) 從電鋸上拉出來，解除導板 (f) 的鎖定。
2. 將導板旋至大約 0° 度的位置，然後向後拉動導板，使 0° 前擋塊啮合。
3. 將導板斜角控制桿朝電鋸方向回推，以鎖定導板。

開啟和關閉

1. 若要啟動工具，請擠壓觸發開關 (a)。
2. 要進行連續操作，請擠壓觸發開關，然後按下鎖定按鈕 (b)。按下鎖定按鈕後，鬆開觸發開關。
3. 若要關閉工具電源，鬆開觸發開關即可。工具持續運轉時若要關閉工具電源，請擠壓觸發開關，鎖定將會解除。

變速控制（圖 4）

調速輪 (h) 在電鋸頂部。將調速輪從低速設定 1 轉到高速設定 7 時，工具速度會隨之增加。

鋸切模式 – 軌道模式或直線模式（圖 5）



警告：接通電源前，請檢查工具是否未鎖定。若連接電源後觸發開關已鎖定，工具將會立即啟動。這可能會造成工具損壞或人身傷害。本線鋸機配備四種鋸切模式，包括三種軌道模式和一種直線模式。進行軌道式作業的

註：切勿使用軌道式作業進行金屬或硬木切割。

調整鋸切模式

1. 將鋸切模式撥桿 (i) 在以下四個切割位置之間移動：0、1、2 和 3。
2. 位置 0 是指直線切割。
3. 位置 1、2 和 3 是軌道式切割。

隨著撥桿從 1 調整至 3，切割動作的劇烈程度會不斷增加，位於 3 時動作最劇烈。

LED 指示燈

線鋸機帶有一個指示燈，用於指示切割軌跡。

觸發開關按下時，指示燈發亮，觸發開關鬆開時，指示燈熄滅。

卸除式導板管套（圖 6）

切割易刮損表面（例如層壓板、膠合板或油漆面）時，應使用無損的導板保護套。導管保護套亦可用於在運輸和儲存期間保護導板表面。

要套上導板保護套，請將導板 (f) 的前部放在導板保護套 (e) 的前端，並如圖 6 所示放下線鋸機。導板保護套發出「卡嗒」一聲，並牢牢扣入導板後部。

要拆下導板保護套，請從底部抓住保護套後部兩個凸耳，將保護套從導板中拉出來。

最佳使用提示

切割層壓板

電鋸沿著上行軌跡切割時，在最靠近導板的表面可能會出現碎裂痕跡。

- 使用細齒鋸片。
- 從工件背面開始切割。
- 為了減少碎裂情況，可在工件的兩面各用一塊廢木料或硬紙板夾緊，然後切割此三層材料。

切割金屬

- 請注意，切割金屬比切割木材需花費更多時間。
- 使用適用於切割金屬的鋸片。

- 切割薄金屬時，在工件的背面夾一塊廢木料，然後切割此雙層材料。
- 沿著切割目標軌跡塗一層潤滑油膜，可使切割更易進行，並可延長鋸片壽命。如切割鋁製材料，則使用煤油更佳。

縱向/圓周切割 (圖 7、8)

使用平行擋板/截圓器 (未提供，需另行購買) 可輕鬆進行縱向/圓周切割，無需畫鉛筆線。

使用配件指南中提供的螺釘，按圖 7 所示放置，並將螺釘擰進導板中以夾緊擋板。

進行縱向切割時，平行擋板如圖 7 所示放置，並從電鋸的一旁使平行擋板在螺釘下面滑動。根據需要調整橫桿 (j) 與鋸片之間的距離，然後擰緊螺釘。進行縱向切割時，橫桿應向下，並如圖所示壓緊工件的直邊緣。

進行圓周切割時，請調整平行擋板，使鋸片到擋板桿上的孔 (k) 之間的距離為所需的半徑，然後擰緊螺釘。調整電鋸的位置，使擋板桿上的孔對準切割圓周的中心 (請鑽孔放置鋸片，或使鋸片從材料邊緣向內切割到適當的位置)。電鋸妥善放置好後，把一顆小釘釘入擋板桿上的孔中。將平行擋板作為一個樞軸臂來使用，開始切割圓周。進行圓周切割時，橫桿應向上，如圖 8 所示。

維護

DeWALT 電動工具採用卓越的設計，能夠長時間使用，並且只需最少的維護。若要持續獲得滿意的操作效果，需進行正確的工具維護和定期的清潔。

- 定期使用軟刷或乾布清潔工具內的通風槽。
- 定期使用濕布清潔電動機外殼。請勿使用任何研磨性或基於溶劑的清潔劑。



潤滑

本電動工具毋需額外潤滑。



清潔



警告：一旦通風口及其周圍積聚了可見的塵埃，請立即使用乾燥的壓縮空氣吹掉主機外殼內的塵埃和灰塵。執行此步驟時，請佩戴經認可的護目裝備和防塵面罩。



警告：請勿使用溶劑或其他刺激性化學品來清潔工具的非金屬部件。這些化學品可能會削弱零件中使用的材料。只能使用抹布蘸中性肥皂水進行清潔。不要讓任何液體進入工具；不要讓工具的任何部分浸入液體中。

選購配件



警告：由於非 DeWALT 提供的配件未在本產品上進行過使用測試，在本產品上使用這些附件可能發生危險。為降低傷害危險，在本產品上只應使用 DeWALT 所推薦的配件。

如需進一步瞭解適用配件的相關資訊，請洽詢當地經銷商。

保護環境



個別收集。本產品必須與一般家庭廢物分開處置。

若您發現您的 DeWALT 產品需要進行替換，或您已經不再需要使用這些產品，請不要將它們與家庭廢物一起處置。務必將本產品送往個別收集處。



個別收集用過的產品和包裝允許材料再循環利用。重新使用循環利用的材料有助於防止環境污染，並減少原始材料的需求。

當地法規可能要求由市政廢物回收點，或由向您出售新產品的經銷商來提供從家庭中個別收集電器產品的服務。

DeWALT 在其產品使用壽命結束時提供 DeWALT 產品收集和回收利用的便利。若要享受此項服務，請將產品送回任一授權維修中心，由其代表我們進行收集。

請根據本手冊上所提供地址與當地 DeWALT 辦事處聯絡，查詢離您最近的授權維修中心所在位置。亦可瀏覽網站查詢 DeWALT 授權維修中心清單和售後服務及聯絡資料之詳細資訊，網址是：

www.2helpU.com

進口商:新加坡商百得電動工具(股)公司台灣分公司

地址:台北市士林區德行西路33號2樓

電話:02-28341741

總經銷商:永安實業股份有限公司

地址:新北市三重區新北大道二段137號

電話:02-29994633

限用物質含有情況標示聲明書

Declaration of the Presence Condition of the Restricted Substances Marking

設備名稱：線鋸機		型號（型式）：DW349R				
Equipment name		Type designation (Type)				
單元 Unit	限用物質及其化學符號 Restricted substances and its chemical symbols					
	鉛Lead (Pb)	汞Mercury (Hg)	鎘Cadmium (Cd)	六價鉻Hexavalent chromium (Cr+6)	多溴聯苯 Polybrominated biphenyls (PBB)	多溴二苯醚 Polybrominated diphenyl ethers (PBDE)
外殼	○	○	超出0.01wt %	○	○	○
馬達	○	○	○	○	○	○
開關	○	○	○	○	○	○
電源線	○	○	○	○	○	○
電路板	○	○	○	○	○	○
內部配線	○	○	○	○	○	○
備考1. “超出0.1 wt %” 及 “超出0.01 wt %” 係指限用物質之百分比含量超出百分比含量基準值。 Note 1 : “Exceeding 0.1 wt %” and “exceeding 0.01 wt %” indicate that the percentage content of the restricted substance exceeds the reference percentage value of presence condition.						
備考2. “○” 係指該項限用物質之百分比含量未超出百分比含量基準值。 Note 2 : “○” indicates that the percentage content of the restricted substance does not exceed the percentage of reference value of presence.						
備考3. “—” 係指該項限用物質為排除項目。 Note 3 : The “—” indicates that the restricted substance corresponds to the exemption.						

직소

DW349R

축하합니다!

DEWALT 공구를 선택해 주셔서 감사합니다. DEWALT는 오랜 경험과 제품 개발 및 혁신을 통해 전문 전동 공구 사용자들이 인정하는 기업으로 자리잡아 왔습니다.

기술 데이터

		DW349R-B1/XD	DW349R-KR	DW349R-A9	DW349R-TW
전압	V	220-240	220	220	110
소비전력	W	500	500	500	500
주파수	Hz	50	60	50	60
무부하회전수	/min	800-3200	800-3200	800-3200	800-3200
스트로크 길이	mm	20	20	20	20
무게	kg	2.7	2.7	2.7	2.7

정의: 안전 지침

다음 정의는 각 경고 문구의 심각도를 설명합니다. 사용 설명서를 읽고 다음 기호들에 유의하십시오.



위험: 절박한 위험 상태를 나타내며, 방지하지 않으면 **사망 또는 심각한 부상을 초래합니다.**



경고: 잠재적 위험 상태를 나타내며, 방지하지 않으면 **사망 또는 심각한 부상을 초래할 수 있습니다.**



주의: 잠재적 위험 상태를 나타내며, 방지하지 않으면 **경미한 부상을 초래할 수 있습니다.**

참고: 신체 부상을 초래하지 않는 행위를 나타내며, 방지하지 않으면 **재산상의 손해가 발생할 수 있습니다.**



감전 위험을 나타냅니다.



화재 위험을 나타냅니다.



경고: 부상 위험을 줄이려면 사용 설명서를 숙지하십시오.

전동 공구에 관한 일반 안전 경고



경고 안전 경고와 지시사항을 모두 읽으십시오. 경고와 지시사항을

준수하지 않으면 감전, 화재 및/또는 심각한 부상을 초래할 수 있습니다.

향후 참고할 수 있도록 모든 경고 및 지시 사항을 보관해두십시오.

경고에서 사용된 "전동 공구"라는 용어는 주 공급 전원에 의해 전기가 공급되는(유선) 전동 공구 또는 충전식(무선) 전동 공구를 의미합니다.

1) 작업장 안전

- 작업 영역을 청결히 하고 조명을 밝게 유지하십시오.** 혼잡하거나 어두운 작업장에서는 사고가 발생하기 쉽습니다.
- 가연성 액체, 가스 또는 먼지 등이 있는 폭발성 대기에서 전동 공구를 사용하지 마십시오.** 전동 공구에서 먼지나 가스를 발화시킬 수 있는 불꽃이 될 수 있습니다.
- 전동 공구로 작업하는 동안에는 어린이와 주변 사람들이 작업 영역에 가까이 들어오지 못하도록 하십시오.** 주변이 산만해져 통제력을 잃을 수 있습니다.

2) 전기 안전

- 전동 공구의 플러그는 콘센트와 형식이 일치해야 합니다.** 플러그를 어떤 방식으로든 절대 개조하지 마십시오. 접지된(지면 접지) 전동 공구에 어떤 어댑터 플러그도 사용하지 마십시오. 개조되지 않은 플러그 및 형식이 일치하는 콘센트를 사용하면 감전 위험이 줄어듭니다.
- 파이프, 라디에이터, 렌지 및 냉장고 등과 같이 접지된 표면에 신체가 접촉하지 않도록 하십시오.** 신체가 접지되어 있으면 감전 위험이 높아집니다.
- 전동 공구를 비 또는 습한 환경에 노출하지 않도록 주의하십시오.** 전동 공구에 물이 들어가면 감전 위험이 높아집니다.
- 코드를 함부로 다루지 마십시오.** 코드를 사용하여 전동 공구를 운반하거나

잡아당기거나 플러그를 뽑지 마십시오. 열, 물, 날카로운 모서리 또는 움직이는 부품에서 멀리 떨어진 장소에 코드를 보관하십시오. 코드가 손상되거나 얽혀 있으면 감전 위험이 높아집니다.

- e) 전동 공구를 실외에서 사용할 때는 실외 사용에 적합한 연장 코드를 사용하십시오. 실외 사용에 적합한 코드를 사용하면 감전 위험이 줄어듭니다.
- f) 어쩔 수 없이 습한 장소에서 전동 공구를 사용해야 하는 경우에는 누전 차단기(RCD)로 보호된 전원 공급 장치를 사용하십시오. RCD(차단기)를 사용하면 감전 위험이 줄어듭니다.

3) 신체 안전

- a) 전동 공구로 작업할 때는 방심하지 말고 작업에 주의하면서 상식을 따르십시오. 피곤한 상태이거나 약물, 술, 치료제를 복용한 상태에서는 전동 공구를 사용하지 마십시오. 전동 공구를 사용하는 중에 주의력을 잃어 순간적으로 부상을 당할 수 있습니다.
- b) 신체 보호 장비를 착용하십시오. 항상 보안경을 착용하십시오. 적합한 상황에서 방진 마스크, 미끄럼 방지 안전화, 안전모 또는 청진 보호 기구 등의 보호 장비를 사용하면 신체 부상 위험이 줄어듭니다.
- c) 의도하지 않은 장비 가동 방지. 전원 및/또는 배터리 팩에 연결한 상태로 공구를 선택 또는 운반할 때는 사전에 스위치가 꺼짐 위치에 있는지 반드시 확인하십시오. 스위치가 켜짐 위치에 있는 상태에서 스위치에 손가락이 닿은 상태로 전동 공구를 운반하거나 전동 공구에 전원을 공급하면 사고가 발생합니다.
- d) 전동 공구를 켜기 전에 모든 조정 키 또는 렌치를 제거하십시오. 전동 공구의 회전 부품에 렌치나 키가 부착되어 있으면 부상을 당할 수 있습니다.
- e) 무리하게 팔을 뻗지 마십시오. 항상 올바른 자세로 서서 균형을 유지하십시오. 그러면 예기치 않은 상황에서 전동 공구에 대한 제어력이 향상됩니다.
- f) 적절한 작업복을 착용합니다. 헐렁한 옷이나 장신구를 착용하지 마십시오. 머리카락, 옷 및 장갑이 움직이는 부품에 닿지 않도록 유의하십시오. 헐렁한 옷, 장신구 또는 긴 머리카락이 움직이는 부품에 걸 수 있습니다.
- g) 먼지 배출 및 집진 시설 연결을 위한 장치가 제공된 경우, 이를 장치가 연결되어 적절히 사용되고 있는지 반드시 확인하십시오. 집진 장치를 사용하면 먼지와 관련된 위험을 줄일 수 있습니다.

4) 전동 공구 사용 및 관리

- a) 전동 공구에 무리한 힘을 가하지 마십시오. 해당 용도에 맞는 올바른 전동 공구를 사용하십시오. 올바른 전동 공구를 사용해야 설계된 속도로 작업을 더욱 안전하고 정확하게 수행할 수 있습니다.

- b) 켜지거나 꺼지지 않는 경우 전동 공구를 사용하지 마십시오. 스위치로 제어되지 않는 전동 공구는 위험하며 수리해야 합니다.
- c) 전동 공구를 조정하거나 액세스리클 변경하거나 보관하기 전에 전원 및/또는 배터리 팩에서 플러그를 뽑으십시오. 이러한 예방적 안전 조치를 따라야 전동 공구가 갑자기 작동할 위험이 줄어듭니다.
- d) 사용하지 않는 전동 공구는 어린이의 손이 닿지 않는 곳에 보관하고, 전동 공구나 본 지시 사항에 익숙하지 않은 사람이 전동 공구를 절대 사용하지 못하게 하십시오. 전동 공구는 훈련을 받지 않은 사용자가 다루면 위험합니다.
- e) 전동 공구 유지 보수. 움직이는 부품의 잘못된 정렬이나 바인딩, 부품 파손 및 기타 전동 공구의 작동에 영향을 미칠 수 있는 기타 모든 상태를 확인하십시오. 손상된 부분이 있는 경우 사용하기 전에 전동 공구를 수리하십시오. 많은 사고는 전동 공구를 제대로 유지 보수하지 않아 발생합니다.
- f) 절단 공구를 예리하고 깨끗한 상태로 유지하십시오. 절단자석 가장자리를 예리하게 잘 유지하면 절단기를 사용할 때 바인딩이 적고 다루기가 용이합니다.
- g) 작업 환경과 수행할 작업을 고려하여, 본 지시 사항에 따라 전동 공구, 액세스리클 및 톨 비트 등을 사용하십시오. 본 사용 설명서의 내용과 다른 용도로 전동 공구를 사용하면 위험한 상황이 발생할 수 있습니다.

5) 정비

- a) 자격을 갖춘 기술자가 동일 교체 부품을 사용하여 정비 작업을 수행해야 합니다. 그래야 전동 공구의 안전이 보장됩니다.

직소에 특정하게 적용되는 추가 안전 규칙

- 절삭 액세스리클이 숨겨진 배선 또는 자체 코드에 접촉할 수 있는 작업을 수행할 때는 절연된 손잡이 표면만 닿도록 하여 전동 공구를 잡으십시오. "전류가 흐르는" 전선에 접촉된 절삭 액세스리클은 전동 공구의 노출된 금속 부품을 "전류가 흐르는" 상태로 만들어 작업자를 감전시킬 수 있습니다.
- 클램프 또는 다른 적절한 방식을 이용하여 안정된 작업대에 작업 공구들을 고정 및 지지하십시오. 작업물을 손으로 잡거나 몸으로 지탱하는 행동은 불안정하여 제어력을 잃을 수 있습니다.
- 손은 절삭 부분에서 멀리 두십시오. 어떤 이유든 작업물 아래 손을 대지 마십시오. 톨의 앞쪽에 있는 곡선 형태의 손잡이 부분을 잡으십시오. 왕복 운동을 하는 톨날 및 톨날 클램프 근처에 손가락을 넣지 마십시오. 톨을 고정하기 위해 슈를 쥐지 마십시오.
- 톨날은 예리한 상태로 유지하십시오. 무딘 톨날은

톱에 압력을 가할 때 방향이 갑자기 바뀌거나
실속할 수 있습니다.

- **파이프나 도관을 자를 때는 물, 전기 배선 등이 들어 있지 않은지 확인하십시오.**
- **절단면(절단으로 인해 생긴 홈)에서 톱날을 거두기 전에 모터를 완전히 정지시키십시오.** 톱날이 움직일 경우 작업물과 부딪혀 날이 부러지거나 작업물이 손상되거나 통제력을 잃어 신체 부상을 입을 수 있습니다.
- **공구를 작동시킨 직후 작업물이나 톱날을 만지지 마십시오.** 매우 뜨거울 수 있습니다.
- **행들은 건조하고 깨끗한 상태를 유지하고 오일/기름이 묻지 않도록 하십시오.** 그래야 공구를 보다 잘 제어할 수 있습니다.
- **공구를 자주 청소하십시오.** 특히 거친 작업을 한 뒤에는 더 자주 하십시오. 금속 입자가 포함되어 있는 먼지와 티끌이 실내에 쌓여 감전을 일으키는 경우가 종종 있습니다.
- **본 공구를 장시간 사용하지 마십시오.** 본 공구가 작동할 때 생기는 진동으로 손가락, 손 및 팔이 영구적인 부상을 입을 수 있습니다. 장갑을 착용해서 충격을 흡수하고, 자주 휴식을 취하고, 일일 사용 시간을 제한해야 합니다.
- **전동 샌딩, 연마, 드릴 및 기타 건설 작업에 의해 발생하는 본진에 장시간 노출되지 않도록 하십시오.** 보호복을 착용하고 노출된 부위를 비눗물로 씻으십시오. 본진이 입이나 눈에 들어가거나 피부에 묻으면 해로운 화학물질이 체내로 쉽게 흡수될 수 있습니다.

공구에 표시된 마크

공구에는 다음과 같은 그림이 있습니다.



사용 전에 사용 설명서의 내용을 숙지하십시오.

기호

공구에 장착된 라벨에 다음 기호가 사용됩니다.

- V..... 볼트
- A..... 암페어
- Hz..... 헤르츠
- W..... 와트
- min..... 분
- ~ 교류 전류
- == 직류 전류
- n₀..... 무부하 속도
- Ⓜ..... 클래스 I 건설 산업용
- Ⓜ..... 접지 단자 (접지됨)
- Ⓜ..... 클래스 II 건설 산업용 (이중 절연)
- ⚠..... 안전 경고 기호

.../min.... 분당 회전수 또는
왕복 횟수
sfpm..... 표면선속도

날짜 코드 위치(그림 1)

날짜 코드(n)에는 제조년도가 포함되며 케이스에 인쇄되어 있습니다.

예: 2013 XX XX
제조년도

포장 내용물

포장에는 다음 내용물이 들어 있습니다.

- 작소 1개
- 톱날 1개
- 사용 설명서 1개
- 보증 카드 1개
- 서비스 센터 목록 1개
- 운반 중에 발생할 수 있는 공구, 부품 또는 액세서리의 손상 여부를 확인하십시오.
- 작동 전에 시간을 내어 본 사용 설명서를 읽고 숙지하십시오.

설명 (그림 1)



경고: 전동 공구 또는 전동 공구의 어떤 부품도 절대 개조하지 마십시오. 제품이 파손되거나 신체 부상을 당할 수 있습니다.

- a. 트리거 스위치
- b. 잠금 버튼
- c. 톱날 잠금 레버
- d. 톱날
- e. 슈 슬라이브
- f. 슈
- g. 슈 베벨링 레버
- h. 속도 제어 휠
- i. 절삭 작업 레버
- j. LED 조명

전기 안전



이 공구는 이중으로 절연되어 있으므로 접지선이 필요 없습니다. 전원이 전동기 네임 플레이트에 기재된 전압과 일치하는지 항상 확인하십시오.

전원 코드가 손상된 경우 사고가 발생하지 않도록 제조업체 또는 공인 DeWALT 서비스 센터에서 교체해야 합니다.

용도

이 직소는 전문적인 톱질을 위해 설계되었습니다.

습한 환경이나 가연성 액체 또는 가스가 있는 장소에서 사용하지 **마십시오**.

이 직소는 전문 전동 공구입니다.

어린이가 이 공구를 만지지 않도록 하십시오. 경험이 없는 작업자가 이 공구를 사용할 때는 감독자의 지도가 필요합니다.

- 이 공구는 신체, 지각 또는 정신 능력이 낮거나 경험 및 지식이 부족한 사람(어린이 포함)이 사용하도록 설계되지 않았습니다. 이러한 사람이 사용할 때는 안전 책임자의 감독 또는 제품 사용과 관련된 지시 사항이 필요합니다. 어린이가 본 제품을 가지고 놀지 못하도록 항상 주의해야 합니다.

작업



경고: 다음 작업을 시도하기 전에 공구 스위치가 꺼져 있고 플러그를 뽑았는지, 그리고 톱날이 정지되었는지 확인하십시오. 사용한 톱날은 뜨거운 수 있습니다. 공구에는 항상 30mA 이하의 정격 누설 전류가 흐릅니다.

톱날설치 (그림 2)

1. 톱날 잠금 레버 (c)를 위로 올립니다.
2. 톱날 홀더에 톱날이 위를 향하도록 톱날 상크를 최대한 깊이 끼우십시오.
3. 레버를 해제합니다.
4. 절단하기 전에 톱날이 고정되어 있는지 점검합니다.

베벨절단을 위한 슈 조절 (그림 3)



경고: 슈가 느슨하거나 제거되었을 때는 절대 공구를 사용하지 마십시오. 슈 플레이트는 좌, 우 베벨각 최대 45° 까지 설정할 수 있습니다.

베벨각을 설정하려면,

1. 그림 3에서와 같이 슈 베벨링 레버 (g)를 톱에서 멀리 당겨 슈 (f)를 잠금 해제합니다.
2. 슈를 앞으로 밀어 0° 포지티브 스탱 포지션에서 해제합니다.
3. 슈는 좌, 우로 베벨각을 가질 수 있으며 15° , 30° 및 45° 에 멈춤쇠가 있습니다.
4. 슈를 원하는 베벨각으로 설정합니다. 각도기를 사용해 각도가 정확하지 확인합니다.
5. 슈 베벨링 레버를 톱쪽으로 밀어 슈를 잠급니다.

슈를 직선 절단에 맞게 재설정하려면,

1. 그림 3에서와 같이 슈 베벨링 레버 (g)를 톱에서 멀리 당겨 슈 (f)를 잠금 해제합니다.
2. 슈를 약 0° 의 각도로 회전시킨 뒤 슈를 뒤로 당겨 0° 포지티브 스탱으로 연결합니다.
3. 슈 베벨링 레버를 톱쪽으로 밀어 슈를 잠급니다.

스위치 커짐/꺼짐

1. 공구를 켜려면 트리거 스위치 (a)를 꼭 짚십시오.
2. 계속 작업하려면 트리거 스위치를 꼭 친 뒤 잠금 버튼 (b)을 누릅니다. 잠금 버튼을 누른 채로 트리거 스위치를 놓으십시오.
3. 공구를 끄려면 트리거 스위치를 놓습니다. 연속 작업 중에 공구를 끄려면 트리거를 누릅니다. 그러면 잠금 해제됩니다.

변속 제어 (그림 4)

속도 제어 휠 (h)은 톱의 위쪽에 있습니다. 저속 설정인 1에서 고속 설정인 7쪽으로 휠을 돌리면 속도가 증가합니다.

절삭 작업 - 원형 또는 선형 (그림 5)



경고: 공구를 전원에 연결하기 전에 공구의 스위치가 **켜짐**으로 잠겨 있지 않은지 확인하십시오. 트리거 스위치가 잠긴 상태이면 전원에 연결할 때 공구가 갑자기 작동됩니다. 공구가 손상되거나 신체 부상을 초래할 수 있습니다. 이 직소는 원형 작업 3가지, 선형 작업 1가지의 4가지 절삭 작업이 가능합니다. 원형 작업에서는 톱날이 좀 더 역동적으로 움직이며 목재나 플라스틱과 같이 부드러운 자재의 절삭용으로 설계되었습니다. 원형 작업에서는 좀 더 빠른 절단 기능을 제공하지만 작업을 절단면은 상대적으로 거친 편입니다. 원형 작업에서는 절삭 중에 톱날이 위, 아래로 움직임과 동시에 앞으로도 움직입니다.

참고: 금속 또는 단단한 목재는 원형 작업으로는 절삭하지 말아야 합니다.

절삭 작업을 조정하려면,

1. 절삭 작업 레버 (i)를 네 가지 절삭 위치 0, 1, 2, 그리고 3 중 한 곳으로 옮깁니다.
2. 위치 0은 선형 절삭입니다.
3. 1, 2, 그리고 3은 원형 절삭 위치입니다.

레버를 1에서 3쪽으로 옮기면 절삭의 역동성이 증가하며 3으로 설정할 때 가장 역동적인 절삭 작업이 가능합니다.

LED 조명

이 직소에는 절삭 경로를 비춰 주는 조명이 부착되어 있습니다.

트리거 스위치를 누르면 조명이 켜지고 트리거 스위치에서 손을 떼면 꺼집니다.

착탈식 슈 슬리브(그림 6)

래미네이트, 베니퍼판 또는 도장면 같이 쉽게 긁힐 수 있는 것들을 절삭할 때는 훼손 방지용 슈 슬리브 (e)를 사용해야 합니다. 운반 및 보관 중에 슈 표면을 보호하는 데도 사용할 수 있습니다.

슈 슬리브를 부착하려면 그림 6에서와 같이 슈 슬리브 (e) 앞쪽에 슈 앞쪽 (f)을 놓고 직소를 내려 놓습니다. 슈 슬리브가 잘착하는 소리와 함께 슈 뒷쪽에 고정됩니다.

슈 슬리브를 분리하려면 바닥의 뒤쪽 탭 두 개를 쥐고 아래로 당겨 슈에서 분리합니다.

최적의 사용법

래미네이트 톱질

톱날은 위쪽으로 움직일 때 절삭을 하기 때문에 슈 플레이트 가장 가까운 면에 파편이 생깁니다.

- 톱니가 작은 톱날을 사용하십시오.
- 작업을 뒷면에서부터 톱질하십시오.
- 파편 발생을 최소화하기 위해 작업을 양면에 목재 조각이나 하드보드를 고정된 뒤 겹쳐진 상태에서 절단하십시오.

금속 톱질

- 금속 톱질에는 목재 톱질에 비해 훨씬 많은 시간이 소요됩니다.
- 금속 톱질에 적합한 톱날을 사용하십시오.
- 얇은 철판을 절단할 때는 목재 조각을 가공물 뒷면에 고정된 뒤 절단하십시오.
- 작업을 용이하게 하고 톱날 수명을 늘리려면 원하는 절단선을 따라 오일을 뿌려 주십시오. 알루미늄 절삭을 위해서는 등유를 사용하는 것이 좋습니다.

립/원형 절삭(그림 7, 8)

립 펜스/서클 가이드(포함되어 있지 않음, 별도 구매 가능)를 사용하면 연필선 없이 쉽게 리핑 및 원형 절삭을 할 수 있습니다.

액세서리 가이드와 함께 공급되는 나사를 사용하여 그림 7에서와 같이 배치한 뒤 슈에 나사를 박아 펜스를 단단히 고정합니다.

리핑 중에는 그림 8에서와 같이 배치한 뒤 톱의 한쪽에서 나사 아래로 립 펜스를 밀어 넣습니다. 톱날로부터 원하는 거리에 크로스 바 (j)를 설치하고 나사로 조입니다. 리핑을 하려면 크로스 바가 아래쪽을 향하고 그림에서와 같이 작업물의 직선 자 가이드를 향해야 합니다.

원형 절삭을 할 때는 톱날에서 펜스 암 (k)의 구멍까지 거리가 원하는 반경이 되도록 립 펜스를 조절된 뒤 나사를 조입니다. 펜스 암의 구멍이 절단할 원의 중심에 오도록 톱을 놓습니다(톱날용 구멍을 뚫거나 작업을 가장자리에서 안쪽으로 절단해 톱날을 제 위치에 오게 합니다). 톱이 제 위치에 왔으면 펜스 암의 구멍을 통해 작은 못을 박습니다. 립 펜스를 피복 암으로 사용해 원형 절단을 시작합니다. 원형 절삭을 위해서는 그림 8에서와 같이 크로스 바가 위를 향해야 합니다.

유지 보수

DEWALT 전동 공구는 최소한의 유지 보수로 장기간에 걸쳐 작업이 가능하도록 설계되어 있습니다. 만족스러운 연속 작동은 적절한 공구 관리와 정기적인 청소에 따라 그 성능이 달라질 수 있습니다.

- 부드러운 브러시와 마른 헝겊으로 공구의 환기구를 주기적으로 청소하십시오.
- 젖은 헝겊으로 모터 하우징을 주기적으로 청소하십시오. 연마재 및 유성 클리너를 사용하지 마십시오.



윤활방법

전동 공구는 별도의 윤활 작업이 필요하지 않습니다.



청소



경고: 동공구 속이나 주변에 먼지가 쌓여 있는 것이 보이면 가능한 한 자주 건조한 공기를 이용하여 몸체에서 먼지를 불어내십시오. 이 절차를 수행할 때에는 승인된 눈 보호 장구 및 승인된 방진 마스크를 착용하십시오.



경고: 공구의 금속 이외의 부품을 청소할 때는 용제 등의 강력한 화학약품을 절대 사용하지 마십시오. 그렇지 않으면 이러한 부분에 사용된 재료가 약해질 수 있습니다. 헝겊에 물과 순한 비누를 적셔 닦아주십시오. 공구 내부에 액체를 넣거나 공구 부품을 액체에 담그는 행동은 절대 금물입니다.

옵션 액세서리



경고: DEWALT에서 제공하지 않은 액세

서리는 본 제품에서 테스트되지 않았으므로 본 제품에서 이러한 액세서리를 사용하면 위험할 수 있습니다. 신체 부상의 위험을 줄이려면 본 제품에 DEWALT 권장 액세서리만 사용해야 합니다.

해당 액세서리에 대한 자세한 정보는 판매 대리점으로 문의하십시오.

환경 보호



분리 수거하십시오. 본 제품을 일반 가정용 쓰레기로 처리하면 안 됩니다.

DEWALT 제품을 교체해야 하거나 더 이상 쓸모가 없어졌다고 판단될 때는 본 제품을 가정용 쓰레기와 함께 처리하지 마십시오. 이 제품은 분리 수거하십시오.



사용하던 제품과 포장을 분리 수거하면 자원을 재활용 및 재사용할 수 있습니다. 재활용 자원을 이용하면 환경 오염이 방지되고 고철 자원에 대한 수요를 줄일 수 있습니다.

지역에 따라 가정용 가전제품을 분리 수거하는 규정이 마련되어 있거나 새로운 제품을 구입할 때 판매점에서 폐기 방법을 알려줄 수 있습니다.

DEWALT는 사용이 끝난 DEWALT 제품을 수집하여 재활용하기 위한 시설을 운영하고 있습니다. 이 서비스를 활용하려면 당사가 폐제품 수거를 위임한 공인 수리 대리점에 제품을 반환해 주십시오.

본 사용 설명서에 기재된 연락처로 가까운 DEWALT

센터에 연락하면 가까운 수리 지정점 위치를 찾을 수 있습니다. 또는 다음 웹 사이트를 방문하여 DEWALT 공인 수리 대리점 목록과 A/S 및 연락처 등 자세한 정보를 찾아볼 수 있습니다.

www.dewalt.co.kr

GERGAJI UKIR DW349R

Selamat!

Anda telah memilih perkakas DEWALT. Pengalaman bertahun-tahun, pengembangan produk menyeluruh, dan inovasi, menjadikan DEWALT salah satu rekan paling handal bagi para pengguna perkakas listrik profesional.

Data Teknis

		DW349R-B1/XD	DW349R-KR	DW349R-A9	DW349R-TW
Voltase	V	220-240	220	220	110
Masukan daya	W	500	500	500	500
Frekuensi	Hz	50	60	50	60
Kecepatan tanpa beban /menit		800-3200	800-3200	800-3200	800-3200
Panjang pemotongan	mm	20	20	20	20
Berat	kg	2.7	2.7	2.7	2.7

Definisi: Pedoman Keselamatan

Definisi berikut ini menjelaskan tingkat bahaya untuk setiap kata sinyal. Harap baca buku petunjuk dan perhatikan simbol-simbol ini.



BAHAYA: Mengindikasikan situasi berbahaya yang tak terelakkan, yang jika tidak dihindari, **pasti** mengakibatkan **kematian atau cedera parah**.



PERINGATAN: Mengindikasikan situasi berbahaya potensial, yang jika tidak dihindari, **dapat** mengakibatkan **kematian atau cedera berat**.



WASPADA: Mengindikasikan situasi berbahaya potensial, yang jika tidak dihindari, **mungkin** mengakibatkan **cedera ringan atau sedang**.

PEMBERITAHUAN: Mengindikasikan suatu praktik yang **tidak berhubungan dengan cedera pribadi**, yang jika tidak dihindari, **mungkin** mengakibatkan **kerusakan barang**.



Menunjukkan risiko sengatan listrik.



Menunjukkan risiko kebakaran.



PERINGATAN: Untuk mengurangi risiko cedera, baca buku petunjuk manual.



PERINGATAN Baca seluruh peringatan dan petunjuk keselamatan. Kegagalan untuk mengikuti

peringatan dan petunjuk dapat mengakibatkan sengatan listrik, kebakaran, dan/atau cedera serius.

SIMPAN SELURUH PERINGATAN DAN PETUNJUK UNTUK RUJUKAN DI MASA DEPAN

Istilah "perkakas listrik" dalam peringatan merujuk pada perkakas listrik beroperasi listrik induk (berkabel) atau perkakas listrik beroperasi baterai (nirkabel).

1) KESELAMATAN AREA KERJA

- Jaga area kerja agar tetap bersih dan terang.** Area yang berantakan atau gelap mengundang kecelakaan.
- Jangan mengoperasikan perkakas listrik ini di lingkungan yang mudah menimbulkan bahaya ledakan, seperti di tempat yang terdapat cairan mudah terbakar, gas atau debu.** Perkakas listrik memercikkan bunga api yang dapat membakar debu atau asap.
- Jauhkan anak-anak dan orang yang berada di sekitar, sewaktu mengoperasikan perkakas listrik.** Gangguan dapat mengakibatkan Anda kehilangan kendali.

2) KESELAMATAN KELISTRIKAN

- Steker perkakas listrik harus sesuai dengan soketnya.** Jangan pernah memodifikasi steker dengan cara apa pun. Jangan gunakan steker adaptor apa

Peringatan Keselamatan Perkakas Listrik Umum

pun dengan alat listrik yang dibumikan (grounded). Steker dan stop kontak yang tidak dimodifikasi dapat mengurangi risiko sengatan listrik.

- b) **Hindari kontak badan dengan permukaan yang dibumikan (grounded), seperti pipa, radiator, kompor dan kulkas.** Risiko sengatan listrik dapat bertambah jika tubuh Anda mengenai permukaan yang dibumikan (grounded).
- c) **Jangan sampai perkakas listrik ini terkena hujan atau terpapar ke kondisi yang basah.** Air yang masuk ke perkakas listrik akan meningkatkan risiko sengatan listrik.
- d) **Jangan menyalahgunakan kabel.** Jangan sekali-kali menggunakan kabel untuk membawa, menarik, atau mencabut alat listrik. Jauhkan kabel dari panas, minyak, tepi tajam atau komponen yang bergerak. Kabel rusak atau terbelit meningkatkan risiko sengatan listrik.
- e) **Bila mengoperasikan perkakas listrik di luar ruangan, gunakan kabel sambungan yang sesuai untuk penggunaan di luar ruangan.** Menggunakan kabel yang sesuai untuk penggunaan di luar ruangan akan mengurangi risiko sengatan listrik.
- f) **Jika terpaksa mengoperasikan perkakas listrik di lokasi lembap, gunakan catu daya yang dilindungi pemutus sirkuit arus sisa (RCD).** Penggunaan RCD akan mengurangi risiko sengatan listrik.

3) KESELAMATAN DIRI

- a) **Tetap waspada, perhatikan apa yang Anda kerjakan dan gunakan akal sehat saat mengoperasikan perkakas listrik.** Jangan mengoperasikan alat listrik bila Anda sedang lelah, atau berada di bawah pengaruh obat, alkohol, atau pengobatan. Kelengahan sesaat saja ketika mengoperasikan perkakas listrik dapat menyebabkan cedera diri yang parah.
- b) **Gunakan peralatan pelindung diri. Selalu kenakan alat pelindung mata.** Peralatan pelindung, seperti masker debu, sepatu keselamatan anti-selip, topi keras, atau pelindung telinga yang digunakan untuk kondisi yang sesuai akan menghindarkan cedera diri.
- c) **Hindarkan menyalakan perkakas tanpa disengaja.** Pastikan bahwa sakelar sudah dalam posisi mati sebelum menghubungkannya ke sumber listrik dan/atau kemasan baterai, mengambil, atau membawa perkakas. Membawa perkakas listrik dengan jari Anda pada sakelar atau menghidupkan perkakas listrik yang

sakelarnya masih menyala akan mengundang kecelakaan.

- d) **Lepaskan semua kunci setelan atau kunci pas sebelum menghidupkan perkakas listrik.** Kunci pas atau kunci setelan yang dibiarkan terpasang pada komponen perkakas listrik yang berputar dapat mengakibatkan cedera diri.
 - e) **Jangan melampaui batas. Selalu jaga pijakan dan keseimbangan yang baik.** Hal ini memungkinkan Anda untuk mengendalikan perkakas listrik dengan lebih baik dalam situasi yang tidak terduga.
 - f) **Kenakan pakaian yang sesuai. Jangan mengenakan pakaian longgar atau perhiasan. Jauhkan rambut, pakaian dan sarung tangan dari komponen yang bergerak.** Pakaian yang longgar, perhiasan, atau rambut panjang dapat terperangkap dalam komponen yang bergerak.
 - g) **Jika disediakan perangkat untuk sambungan fasilitas pengeluaran dan pengumpulan debu, pastikan perangkat ini dihubungkan dan digunakan dengan sesuai.** Penggunaan perangkat pengumpul debu dapat mengurangi bahaya yang ditimbulkan oleh debu.
- ### **4) PENGGUNAAN DAN PERAWATAN PERKAKAS LISTRIK**
- a) **Jangan menggunakan perkakas listrik dengan paksa. Gunakan alat listrik yang benar untuk aplikasi Anda.** Perkakas listrik yang tepat akan bekerja lebih baik dan aman pada tingkat kelajuan yang telah dirancang untuk perkakas itu.
 - b) **Jangan gunakan perkakas listrik ini jika sakelar tidak dapat menghidupkan dan mematikan perkakas.** Perkakas listrik apa pun yang tidak dapat dikendalikan dengan sakelar adalah berbahaya dan harus diperbaiki.
 - c) **Lepaskan stop kontak dari sumber listrik dan/atau kemasan baterai dari perkakas listrik sebelum melakukan penyetulan apa pun, mengganti aksesoris, atau menyimpan perkakas listrik.** Tindakan pencegahan demi keselamatan tersebut mengurangi risiko menjalankan perkakas listrik secara tak sengaja.
 - d) **Simpan perkakas listrik yang tidak digunakan jauh dari jangkauan anak-anak, dan jangan membolehkan orang yang tidak memahami perkakas listrik atau petunjuk ini untuk mengoperasikannya.** Perkakas listrik bisa berbahaya bila digunakan oleh pengguna yang tidak terlatih.
 - e) **Rawat perkakas listrik. Lakukan pemeriksaan untuk mengetahui apakah**

ada komponen bergerak yang tidak sejajar atau bengkok, komponen yang patah, dan kondisi lainnya yang dapat mempengaruhi pengoperasian perkakas listrik. Jika rusak, perbaiki dahulu perkakas listrik sebelum digunakan.

Banyak terjadi kecelakaan akibat alat listrik yang tidak terawat baik.

- f) **Jaga ketajaman dan kebersihan alat pemotong.** Alat pemotong yang dipelihara dengan baik, dengan pisau pemotong yang tajam, tidak gampang tersangkut dan lebih mudah dikendalikan.
- g) **Gunakan perkakas listrik, aksesoris, dan mata bor, dsb. sesuai instruksi-instruksi ini, dengan memperhatikan persyaratan kerja dan jenis pekerjaan yang harus dilakukan.** Menggunakan perkakas listrik untuk pengoperasian yang berbeda dengan yang dimaksudkan akan mengakibatkan situasi yang membahayakan.

5) SERVIS

- a) **Perkakas listrik sebaiknya diservis oleh teknisi yang mahir dan hanya menggunakan komponen pengganti yang persis sama.** Ini akan menjamin keselamatan perkakas terpelihara.

Aturan Keselamatan Tambahan Khusus untuk Gergaji Ukir

- **Pegang perkakas listrik pada permukaan pegangan berinsulasi saat melakukan operasi karena aksesoris pemotong dapat mengenai kabel yang tersembunyi atau kabelnya sendiri.** Aksesoris pemotong yang bersentuhan dengan kabel bertegangan listrik dapat mengalirkan arus listrik pada komponen logam perkakas listrik dan mengakibatkan sengatan listrik pada pengguna.
- **Gunakan penjepit atau cara praktis lain untuk mengencangkan dan menyangga benda kerja di permukaan yang stabil.** Memegang benda dengan tangan atau disandarkan pada tubuh Anda akan membuatnya tidak stabil dan dapat mengakibatkan hilangnya kendali.
- **Jauhkan kedua tangan dari area pemotongan.** Jangan pernah berada di bawah material kerja untuk tujuan apa pun. Tahan bagian depan gergaji dengan memegang area pegangan berkontur. Jangan memasukkan jari atau jempol ke sekitar pisau gergaji dan penjepit pisau gergaji yang bergerak maju mundur. Jangan menstabilkan gergaji dengan memegang bantalan gergaji.
- **Jaga agar pisau gergaji tetap tajam.** Pisau

gergaji yang tumpul dapat menyebabkan gergaji melenceng atau berhenti di bawah tekanan.

- **Ketika memotong pipa atau saluran,** pastikan bahwa semuanya bebas dari air, kabel listrik, dll.
- **Biarkan motor benar-benar berhenti sebelum menarik pisau gergaji dari alur potong (celah yang dihasilkan melalui pemotongan).** Pisau gergaji yang bergerak dapat berpengaruh pada benda kerja, sehingga menyebabkan pisau gergaji patah, kerusakan benda kerja, atau hilangnya kendali dan kemungkinan cedera diri.
- **Jangan sentuh benda kerja atau pisau gergaji segera setelah selesai mengoperasikan perkakas.** Keduanya bisa jadi sangat panas.
- **Jaga agar pegangan tetap kering, bersih, bebas dari minyak dan lemak.** Dengan kondisi seperti ini, perkakas akan mudah dikendalikan.
- **Bersihkan perkakas Anda sesering mungkin, terutama setelah penggunaan berat.** Debu dan pasir yang mengandung partikel logam sering mengumpul pada permukaan bagian dalam dan dapat menyebabkan bahaya sengatan listrik.
- **Janganoperasikan perkakas ini untuk jangka waktu yang lama.** Getaran yang disebabkan oleh pengoperasian perkakas ini dapat menyebabkan cedera permanen pada jari, tangan, dan lengan. Gunakan sarung tangan untuk memberikan bantalan tambahan, ambil waktu istirahat sesering mungkin, dan batasi waktu penggunaan sehari-hari.
- **Hindari kontak yang lama dengan debu dari pengampelasan, penggergajian, pengasahan, pengeboran, dan aktivitas konstruksi lain yang menggunakan daya listrik.** Gunakan pakaian pelindung dan cuci area yang terpapar dengan sabun dan air. Membiarkan debu masuk ke dalam mulut, mata, atau terkena kulit dapat mendorong penyerapan bahan kimia berbahaya.

Tanda pada Perkakas

Gambar-gambar berikut ini tertera pada perkakas:



Baca buku petunjuk sebelum penggunaan.

Simbol-simbol

Label pada perkakas Anda mungkin memuat simbol-simbol berikut ini:

- V volt
- A ampere
- Hz hertz
- W watt
- mnt menit
- ~ arus balik
- == arus searah
- n₀ kecepatan tanpa beban
- Ⓛ Konstruksi Kelas I
- Ⓜ terminal arde (diardekan)
- Ⓡ Konstruksi Kelas II (berinsulasi ganda)
- ⚠ simbol peringatan keselamatan
- .../mnt.... putaran atau pemutarbalikan per menit
- kppm kaki permukaan per menit

POSISI KODE TANGGAL (GBR. 1)

Kode Tanggal (n), yang juga mencantumkan tahun produksi, dicetak pada kerangka perkakas.

Contoh:

2013 XX XX

Tahun Pembuatan

Konten Kemasan

Kemasan memuat:

- 1 Gergaji ukir
- 1 Pisau gergaji
- 1 Buku petunjuk
- 1 Kartu garansi
- 1 Daftar pusat layanan
- Periksa kemungkinan adanya kerusakan pada perkakas, komponen, atau aksesoris yang bisa jadi terjadi selama transportasi.
- Ambil waktu untuk membaca seluruh isi buku petunjuk ini dan memahaminya sebelum pengoperasian.

Penjelasan (gambar 1)



PERINGATAN: Jangan pernah memodifikasi perkakas listrik atau komponennya. Ini dapat mengakibatkan kerusakan atau cedera pribadi.

- a. Sakelar pemicu
- b. Tombol pengunci
- c. Tuas pengunci pisau gergaji

- d. Pisau gergaji
- e. Selongsong bantalan
- f. Bantalan
- g. Tuas penyiku bantalan
- h. Roda kendali kecepatan
- i. Tuas tindakan pemotongan
- j. Lampu LED

Keselamatan Listrik



Perkakas ini berisolasi ganda; oleh sebab itu tidak perlu kabel arde (ground). Selalu periksa apakah catu daya sesuai dengan tegangan yang tercantum pada pelat spesifikasi.

Jika rusak, kabel daya harus diganti oleh produsen atau Pusat Layanan DeWALT resmi guna menghindari terjadinya bahaya.

TUJUAN PENGGUNAAN

Gergaji ukir ini dirancang untuk aplikasi penggergajian profesional.

JANGAN gunakan dalam kondisi basah atau di dekat cairan maupun gas yang mudah terbakar.

Gergaji ukir ini adalah perkakas listrik profesional.

JANGAN biarkan anak-anak bersentuhan dengan perkakas ini. Dibutuhkan pengawasan bilamana perkakas ini digunakan oleh pengguna yang belum berpengalaman.

- Perkakas ini tidak ditujukan untuk digunakan oleh orang (termasuk anak-anak) dengan keterbatasan kemampuan fisik, sensor, maupun mental, atau kurang pengalaman maupun pengetahuan, kecuali jika di bawah pengawasan atau menerima petunjuk tentang penggunaan peralatan oleh orang yang bertanggung jawab atas keselamatan mereka. Anak-anak harus diawasi untuk memastikan mereka tidak bermain dengan peralatan ini.

PENGOPERASIAN



Peringatan: Sebelum mencoba melakukan salah satu pengoperasian berikut, pastikan bahwa perkakas dimatikan dan dicabut dan pisau gergaji telah berhenti. Pisau gergaji yang digunakan bisa menjadi panas. Perkakas ini selalu disuplai melalui perangkat arus sisa dengan nilai arus sisa 30 mA atau kurang.

Pemasangan Pisau Gergaji (gbr 2)

- 1. Dorong tuas pengunci gergaji pisau (c) ke atas.

2. Dengan gerigi gergaji yang menghadap ke depan, masukkan batang pisau gergaji ke dalam penahan pisau sejauh mungkin.
3. Lepaskan tuas.
4. Periksa untuk memastikan pisau gergaji aman sebelum pemotongan.

Mengatur Bantalan untuk Pemotongan Sudut Siku (gbr. 3)



PERINGATAN: Jangan pernah menggunakan perkakas ini dengan kondisi bantalan yang longgar atau lepas. Pelat bantalan dapat diatur ke sudut siku kiri atau kanan hingga 45°.

UNTUK MENGATUR SUDUT SIKU

1. Tarik tuas penyiku bantalan (g) keluar dan jauh dari gergaji untuk membuka bantalan (f) seperti yang ditunjukkan dalam Gambar 3.
2. Geser bantalan ke depan untuk melepaskannya dari posisi henti positif 0°.
3. Bantalan dapat disikukan ke kiri atau ke kanan dan memiliki penahan pada 15°, 30°, dan 45°.
4. Atur bantalan ke sudut siku yang diinginkan. Gunakan busur derajat untuk memastikan akurasi sudut.
5. Dorong tuas penyiku bantalan kembali ke arah gergaji untuk mengunci bantalan.

UNTUK MENGATUR ULANG BANTALAN GUNA MENDAPATKAN PEMOTONGAN YANG LURUS

1. Tarik tuas penyiku bantalan (g) keluar dan jauh dari gergaji untuk membuka bantalan (f) seperti yang ditunjukkan dalam Gambar 3.
2. Putar bantalan ke sudut sekitar 0°, lalu tarik bantalan ke belakang untuk mengikat hentian positif 0°.
3. Dorong tuas penyiku bantalan kembali ke arah gergaji untuk mengunci bantalan.

Menyalakan dan Mematikan

1. Untuk menyalakan perkakas, tekan sakelar pemicu (a).
2. Untuk pengoperasian yang terus-menerus, tekan sakelar pemicu, lalu tekan tombol pengunci (b). Setelah tombol pengunci ditekan, lepaskan sakelar pemicu.
3. Untuk mematikan perkakas, lepaskan sakelar pemicu. Untuk mematikan perkakas saat dalam pengoperasian yang terus-menerus, tekan pemicu, dan kunci akan lepas dengan sendirinya.

Kontrol Kecepatan Variabel (gbr. 4)

Roda kontrol kecepatan (h) terletak di bagian atas gergaji. Kecepatan meningkat saat roda diubah dari pengaturan kecepatan rendah 1 ke pengaturan kecepatan tinggi 7.

Tindakan Pemotongan – Orbital atau Lurus (gbr. 5)



PERINGATAN: Pastikan bahwa perkakas tidak terkunci **MENYALA** sebelum menghubungkannya ke catu daya. Jika sakelar pemicu terkunci menyala saat perkakas dihubungkan ke catu daya, perkakas akan langsung hidup. Ini dapat mengakibatkan kerusakan perkakas atau cedera diri. Gergaji ukir ini dilengkapi dengan empat tindakan pemotongan, tiga orbital dan satu lurus. Tindakan orbital memiliki gerakan pisau yang lebih agresif dan dirancang untuk memotong material lunak seperti kayu atau plastik. Tindakan orbital memberikan pemotongan yang lebih cepat, tapi dengan pemotongan yang kurang halus di seluruh material. Dalam tindakan orbital, tiga gergaji bergerak maju selama pekerjaan pemotongan selain gerakan ke atas dan ke bawah.

CATATAN: Logam atau kayu keras tidak boleh dipotong dalam

tindakan orbital.

UNTUK MENGATUR TINDAKAN PEMOTONGAN

1. Pindahkan tuas tindakan pemotongan (i) antara empat posisi pemotongan: 0, 1, 2, dan 3.
2. Posisi 0 adalah pemotongan lurus.
3. Posisi 1, 2, dan 3 adalah pemotongan orbital.

Agresivitas pemotongan meningkat saat tuas diatur dari satu sampai tiga, dengan tiga sebagai pemotongan yang paling agresif.

Lampu LED

Gergaji ukir ini dilengkapi dengan lampu yang menyoroti jalur pemotongan.

Lampu ini akan menyala saat sakelar pemicu ditekan dan akan mati saat sakelar pemicu dilepaskan.

Selongsong Bantalan yang Dapat Dilepas (gbr. 6)

Selongsong bantalan yang tidak kasar (e) harus digunakan saat memotong permukaan yang menggores dengan mudah, seperti laminasi, vinir, atau cat. Selongsong ini juga dapat digunakan

untuk melindungi permukaan bantalan selama pengangkutan dan penyimpanan.

Untuk memasang selongsong bantalan, masukkan bagian depan bantalan (f) ke bagian depan selongsong bantalan (e) dan turunkan gergaji ukir seperti yang ditunjukkan dalam gambar 6. Selongsong bantalan akan terkunci erat pada bagian belakang bantalan.

Untuk melepas selongsong bantalan, pegang selongsong dari bawah pada dua tab belakang, lalu tarik ke bawah dan jauh dari bantalan

Petunjuk untuk Penggunaan Secara Optimal

PENGGERGAIAN LAMINASI

Saat pisau gergaji memotong pada langkah pemotongan ke atas, serpihan dapat terjadi pada permukaan yang paling dekat dengan pelat bantalan.

- Gunakan pisau gergaji dengan gerigi yang halus.
- Lakukan penggergajian dari permukaan belakang benda kerja.
- Untuk meminimalkan serpihan, sisipkan sebatang kayu sisa atau kardus ke kedua sisi benda kerja dan lakukan penggergajian melalui sisipan ini.

PENGGERGAIAN LOGAM

- Perlu diketahui bahwa penggergajian logam membutuhkan lebih banyak waktu daripada penggergajian kayu.
- Gunakan pisau gergaji yang sesuai untuk penggergajian logam.
- Ketika memotong logam tipis, sisipkan sebatang kayu sisa ke permukaan belakang benda kerja dan lakukan pemotongan melalui sisipan ini.
- Sebarkan selapis minyak di sepanjang garis pemotongan yang dituju untuk pengoperasian yang lebih mudah dan umur pisau yang lebih lama. Untuk pemotongan aluminium, lebih baik gunakan minyak tanah.

Pemotongan Robekan/Lingkar (gbr. 7, 8)

Pemotongan robekan dan lingkaran tanpa garis pensil mudah dilakukan dengan pembatas robekan/pemandu lingkaran (tidak disertakan; tersedia dengan biaya tambahan).

Dengan menggunakan sekrup yang disertakan bersama buku panduan aksesoris, tempatkan seperti yang ditunjukkan dalam gambar 7 dan ulirkan

sekrup ke dalam bantalan untuk menahan pembatas dengan aman.

Ketika melakukan perobekan, tempatkan seperti yang ditunjukkan dalam gambar 7 dan geser pembatas robekan di bawah sekrup dari kedua sisi gergaji. Atur sengkang (j) pada jarak yang diinginkan dari pisau gergaji, lalu kencangkan sekrup. Untuk melakukan perobekan, sengkang harus turun dan berlawanan dengan tepi lurus benda kerja seperti yang ditunjukkan.

Ketika melakukan pemotongan lingkaran, atur pembatas robekan sehingga jarak dari pisau gergaji ke lubang di lengan pembatas (k) berada pada radius yang diinginkan, lalu kencangkan sekrup. Tempatkan gergaji sehingga lubang di lengan pembatas berada di atas pusat lingkaran yang akan dipotong (lakukan pengeboran lubang untuk pisau gergaji atau potong ke dalam dari tepi material agar pisau gergaji mendapatkan posisinya). Ketika gergaji pada posisi yang benar, masukkan paku kecil melalui lubang di lengan pembatas. Dengan menggunakan pembatas robekan sebagai lengan poros, mulailah pemotongan lingkaran. Untuk pemotongan lingkaran, sengkang harus naik, seperti yang ditunjukkan dalam gambar 8.

PERAWATAN

Perkakas listrik DEWALT Anda telah dirancang untuk penggunaan jangka panjang dengan pemeliharaan minimal. Kelanjutan hasil pengoperasian yang memuaskan tergantung pada pemeliharaan alat yang benar serta pembersihan yang teratur.

- Bersihkan celah-celah ventilasi perkakas Anda secara berkala menggunakan sikat lembut atau kain kering.
- Bersihkan kerangka motor secara teratur dengan menggunakan kain bersih yang lembap. Jangan gunakan bahan pembersih abrasif atau pembersih berbahan dasar larutan apa pun.



Pelumas

Perkakas listrik Anda tidak membutuhkan pelumas tambahan.



Pembersihan



PERINGATAN: *Semprot ke luar kotoran dan debu pada bodi utama dengan udara kering sesering mungkin saat kotoran terlihat mengendap di dalam dan di sekitar ventilasi udara. Gunakan pelindung mata yang sesuai dan masker debu yang sesuai bilamana mengerjakan prosedur ini.*



PERINGATAN: *Jangan gunakan pelarut atau bahan kimia keras lainnya untuk membersihkan bagian alat yang tidak terbuat dari logam. Zat-zat kimia tersebut dapat merapuhkan material komponen-komponen ini. Gunakan kain yang dilembapkan dengan air dan sabun lembut. Jangan sampai bagian dalam perkakas kemasukan air; jangan pernah rendam komponen perkakas dalam cairan.*

Aksesori Opsional



PERINGATAN: *Berhubung aksesori-aksesori lain, di luar yang disediakan oleh DEWALT, belum pernah diuji coba menggunakan produk ini, maka penggunaan aksesori semacam itu dengan perkakas ini dapat berbahaya. Untuk mengurangi risiko cedera, gunakan hanya aksesori DEWALT yang disarankan dengan produk ini.*

Tanyakan pada dealer Anda untuk informasi selengkapnya seputar aksesori yang sesuai.

Melindungi Lingkungan



Pengumpulan terpisah. Produk ini tidak boleh dibuang bersama limbah rumah tangga biasa.

berguna bagi Anda, jangan buang bersama limbah rumah tangga. Pisahkan pengumpulan produk ini.



Pengumpulan produk dan kemasan bekas secara terpisah memungkinkan material untuk didaur ulang dan digunakan lagi. Penggunaan kembali bahan yang didaur ulang akan membantu mencegah pencemaran lingkungan serta mengurangi kebutuhan akan bahan baku.

Undang-undang setempat mungkin memfasilitasi pengumpulan produk-produk elektrik terpisah dari sampah rumah tangga, di tempat pembuangan sampah kota atau oleh pedagang ritel pada saat Anda membeli produk baru

DEWALT menyediakan fasilitas pengumpulan dan pendaurulangan produk-produk DEWALT setelah masa pakainya habis. Untuk memanfaatkan layanan ini, harap kembalikan produk Anda kepada agen reparasi resmi yang akan mengumpulkannya bagi kami.

Anda dapat menemukan lokasi agen reparasi resmi terdekat dengan Anda dengan menghubungi kantor DEWALT setempat di alamat yang tercantum pada buku petunjuk ini. Alternatif lainnya, Anda dapat melihat daftar agen reparasi DEWALT resmi dan keterangan lengkap layanan purna jual serta kontak kami yang tersedia di Internet, di: **www.2helpU.com**.

Seandainya suatu hari Anda menjumpai produk DEWALT Anda butuh diganti, atau tidak lagi

เลื่อยฉลุไฟฟ้า

DW349R

ขอแสดงความยินดี!

คุณได้เลือกใช้เครื่องมือจาก DEWALT ด้วยประสบการณ์หลายปีที่ผ่านมานี้ในการพัฒนาผลิตภัณฑ์และนวัตกรรมใหม่ๆ ทำให้ DEWALT เป็นหนึ่งในเครื่องมือไฟฟ้าที่ไวใจได้มากที่สุดสำหรับผู้ใช้เครื่องมือไฟฟ้าระดับมืออาชีพ

ข้อมูลด้านเทคนิค

		DW349R-B1/XD	DW349R-KR	DW349R-A9	DW349R-TW
แรงดันไฟฟ้า	V	220-240	220	220	110
กำลังไฟเข้า	W	500	500	500	500
ความถี่	Hz	50	60	50	60
ความเร็วขณะไม่มีโหลด	/นาที	800-3200	800-3200	800-3200	800-3200
ความยาวช่วงชัก	มม.	20	20	20	20
น้ำหนัก	กก.	2.7	2.7	2.7	2.7

คำจำกัดความ: ข้อแนะนำด้านความปลอดภัย

คำจำกัดความด้านล่างอธิบายถึงระดับความรุนแรงของคำแต่ละคำที่ใช้เรียกสัญลักษณ์ต่างๆ โปรดอ่านคู่มือและใส่ใจกับสัญลักษณ์เหล่านี้



อันตราย: หมายถึงสถานการณ์ที่ก่อให้เกิดอันตรายได้อย่างฉับพลัน ซึ่งหากไม่ระวังจะทำให้เสียชีวิตหรือบาดเจ็บสาหัสได้



คำเตือน: หมายถึงสถานการณ์ที่มีแนวโน้มว่าจะก่อให้เกิดอันตราย ซึ่งหากไม่ระวังอาจทำให้ได้รับบาดเจ็บเล็กน้อยถึงปานกลาง



ข้อควรระวัง: หมายถึงสถานการณ์ที่มีแนวโน้มว่าจะก่อให้เกิดอันตราย ซึ่งหากไม่ระวังอาจทำให้ได้รับบาดเจ็บเล็กน้อยถึงปานกลาง

ข้อสังเกต: หมายถึงการปฏิบัติที่ไม่เกี่ยวข้องกับการบาดเจ็บส่วนบุคคล ซึ่งหากไม่ระวังอาจทำให้ทรัพย์สินเสียหาย



แสดงถึงความเสี่ยงจากการถูกไฟฟ้าดูด



แสดงถึงความเสี่ยงจากการเกิดเพลิงไหม้



คำเตือน: เพื่อลดความเสี่ยงจากการบาดเจ็บ โปรดอ่านคู่มือการใช้งานเล่มนี้

คำเตือนเพื่อความปลอดภัยทั่วไปสำหรับการใช้เครื่องมือไฟฟ้า



คำเตือน โปรดอ่านคำเตือนและข้อปฏิบัติเพื่อความปลอดภัยทั้งหมด การไม่ปฏิบัติตามคำเตือนและข้อปฏิบัติเหล่านี้ อาจทำให้เกิดไฟฟ้าช็อต ไฟไหม้ และ/หรือบาดเจ็บสาหัสได้

โปรดเก็บรักษาคำเตือนและข้อปฏิบัติทั้งหมดไว้เพื่อใช้อ้างอิงในภายหลัง

คำว่า “เครื่องมือไฟฟ้า” ในคำเตือน หมายถึงเครื่องมือไฟฟ้าที่ทำงานผ่านสายเมน (มีสาย) หรือแบตเตอรี่ (ไม่มีสาย)

1) ความปลอดภัยในบริเวณที่ทำงาน

- รักษาความสะอาดและจัดให้มีแสงสว่างเพียงพอบนบริเวณที่ทำงาน บริเวณที่มีดหรือมีของวางระเกะระกะอาจทำให้เกิดอุบัติเหตุได้
- ห้ามใช้เครื่องมือไฟฟ้าในบริเวณที่อาจเกิดการระเบิด เช่น ในสถานที่ที่มีของเหลว แก๊ส หรือฝุ่นผงที่มีคุณสมบัติไวไฟ เครื่องมือไฟฟ้าจะทำให้เกิดประกายไฟที่อาจทำให้เกิดละอองไฟหรือเปลวไฟขึ้นได้
- ระวังไม่ให้เด็กเล็กและคนเดินผ่านไปมาเข้าใกล้ในขณะที่ใช้งานเครื่องมือไฟฟ้า สิ่งรบกวนอาจทำให้คุณเสียสมาธิได้

2) ความปลอดภัยทางไฟฟ้า

- ก) ปลั๊กไฟของเครื่องต้องเป็นชนิดเดียวกับเต้ารับ ห้ามดัดแปลงปลั๊กไม่ว่าด้วยวิธีใด ห้ามใช้ปลั๊กอะแดปเตอร์ใดๆ กับเครื่องมือไฟฟ้าที่ต่อสายดิน (ลงกราวด์) ปลั๊กที่ไม่มีการดัดแปลงและเต้ารับชนิดเดียวกันจะช่วยลดความเสี่ยงจากการเกิดไฟฟ้าช็อต
- ข) หลีกเลี่ยงการสัมผัสพื้นผิวที่ต่อสายดินหรือลงกราวด์ เช่น ท่อ หม้อน้ำ เตาหุงต้ม และตู้เย็น มีความเสี่ยงเพิ่มขึ้นที่จะเกิดไฟฟ้าช็อตหากร่างกายเป็นสื่อเชื่อมต่อดังนั้น
- ค) อย่าให้เครื่องมือไฟฟ้าถูกฝนหรืออยู่ในสภาพที่เปียกชื้น น้ำที่เข้าเครื่องมือไฟฟ้าจะเพิ่มความเสี่ยงในการเกิดไฟฟ้าช็อต
- ง) ห้ามใช้สายไฟผิดวัตถุประสงค์ ห้ามใช้สายไฟเพื่อการหิ้ว ดึง หรือถอดปลั๊กเครื่องมือไฟฟ้า เก็บสายไฟให้พ้นจากความร้อน น้ำมัน ของมีคม หรือชิ้นส่วนที่กำลังเคลื่อนที่ สายไฟที่ชำรุดหรือพันกันเป็นการเพิ่มความเสี่ยงต่อการเกิดไฟฟ้าช็อต
- จ) เมื่อใช้เครื่องมือไฟฟ้านอกอาคาร ให้ใช้สายต่อพ่วงที่เหมาะสมสำหรับการใช้งานนอกอาคาร ใช้สายไฟที่เหมาะสมกับการใช้งานนอกอาคารเพื่อลดความเสี่ยงต่อการเกิดไฟฟ้าช็อต
- ฉ) หากไม่สามารถหลีกเลี่ยงการใช้เครื่องมือไฟฟ้าในบริเวณที่ชื้นและได้ให้ใช้อุปกรณ์ป้องกันไฟดูด (RCD) ที่จัดไว้ให้ การใช้ RCD จะช่วยลดความเสี่ยงจากการถูกไฟดูด

3) ความปลอดภัยทางร่างกาย

- ก) ดินตัวและมีสมมติกับสิ่งที่คุณกำลังทำ รวมทั้งใช้สามัญสำนึกในขณะที่กำลังใช้งานเครื่องมือไฟฟ้า ห้ามใช้เครื่องมือไฟฟ้าในขณะที่กำลังเหนื่อยหรือได้รับอิทธิพลจากยา แอลกอฮอล์ หรือการรักษาบางอย่าง การขาดความระมัดระวังในการใช้เครื่องมือไฟฟ้าเพียงชั่วขณะอาจทำให้บาดเจ็บสาหัสได้
- ข) ใช้อุปกรณ์ป้องกันร่างกาย สวมอุปกรณ์ป้องกันดวงตาเสมอ อุปกรณ์ป้องกัน เช่น หน้ากากกันฝุ่น รองเท้านิรภัยกันลื่น หมวกนิรภัย หรืออุปกรณ์ป้องกันเสียงดังที่ใช้ในสภาวะที่เหมาะสมจะช่วยลดอาการบาดเจ็บทางร่างกาย

- ค) ป้องกันเครื่องเปิดทำงานโดยไม่ตั้งใจ สวิตช์ต้องอยู่ในตำแหน่งปิดก่อนที่จะเสียบปลั๊กของเครื่องเข้ากับแหล่งจ่ายไฟ และ/หรือชุดแบตเตอรี่ หรือก่อนการยกหรือถือเครื่องมือการยกเครื่องมือไฟฟ้าในขณะที่นิ้วอยู่ที่สวิตช์ หรือใช้เครื่องมือไฟฟ้าที่สวิตช์เปิดอยู่ อาจทำให้เกิดอุบัติเหตุได้
- ง) ถอดกุญแจปรับตั้งหรือประแจออกก่อนเปิดสวิตช์เครื่องมือไฟฟ้า ประแจหรือกุญแจที่เสียบค้างอยู่ในชิ้นส่วนที่หมุนได้ของเครื่องมือไฟฟ้าอาจทำให้ได้รับบาดเจ็บได้
- จ) ห้ามยืนเขย่งเท้าขณะใช้เครื่อง ควรยืนในท่าที่เหมาะสมและสมดุลตลอดเวลา เพื่อช่วยในการควบคุมเครื่องมือไฟฟ้าได้ดียิ่งขึ้นในสถานการณ์ที่ไม่คาดคิด
- ฉ) แต่งกายให้เหมาะสม ห้ามสวมเสื้อผ้าหลวมหรือใส่เครื่องประดับ รวบผม ซายเสื้อ และถุงมือให้ห่างจากชิ้นส่วนที่กำลังหมุน เสื้อผ้าที่หลวมหรือยาวรุ่มร่าม เครื่องประดับ หรือผมที่ยาวอาจเข้าไปพันกับชิ้นส่วนที่กำลังหมุน
- ช) หากมีอุปกรณ์สำหรับดูดและเก็บฝุ่น ต้องตรวจสอบให้แน่ใจว่าได้เชื่อมต่อและใช้งานอุปกรณ์นั้นอย่างเหมาะสม การใช้อุปกรณ์เก็บฝุ่นจะช่วยลดอันตรายที่เกี่ยวข้องกับฝุ่นได้

4) การใช้และการดูแลรักษาเครื่องมือไฟฟ้า

- ก) ห้ามฝืนใช้เครื่องมือไฟฟ้า เลือกใช้เครื่องมือไฟฟ้าที่ถูกต้องตรงกับลักษณะการใช้งานของคุณ เครื่องมือไฟฟ้าที่ถูกต้องย่อมทำงานได้ดีกว่าและปลอดภัยกว่า เมื่อใช้งานตามพิกัดที่เครื่องมือได้รับการออกแบบมา
- ข) ห้ามใช้เครื่องมือไฟฟ้าถ้าสวิตช์เปิดปิดเครื่องไม่ทำงาน เครื่องมือไฟฟ้าที่ไม่สามารถควบคุมผ่านสวิตช์ได้ มีอันตรายและต้องส่งซ่อม
- ค) ถอดปลั๊กของเครื่องมือไฟฟ้าออกจากแหล่งจ่ายไฟ และ/หรือ แบตเตอรี่ก่อนทำการปรับตั้ง เปลี่ยนอุปกรณ์เสริม หรือจัดเก็บ มาตราการเพื่อความปลอดภัยเชิงป้องกันนี้จะช่วยลดความเสี่ยงในการเผลอเปิดเครื่องให้ทำงานโดยไม่ตั้งใจ

- ง) เก็บเครื่องมือไฟฟ้าที่ไม่ได้ใช้งานไว้ให้พ้นมือเด็ก และไม่อนุญาตให้บุคคลที่ไม่คุ้นเคยกับเครื่องมือไฟฟ้าหรือข้อปฏิบัติเหล่านี้เป็นผู้ใช้เครื่องมือ เครื่องมือไฟฟ้าจะเป็นอันตรายหากอยู่ในมือผู้ใช้ที่ไม่มีความชำนาญ
- จ) บำรุงรักษาเครื่องมือไฟฟ้า ตรวจสอบว่าชิ้นส่วนที่เคลื่อนที่ได้มีการวางไม่ตรงแนวหรือติดขัดหรือไม่ มีชิ้นส่วนที่แตกหัก และสภาพอื่นใดที่อาจส่งผลกระทบต่อการทำงานของเครื่องมือไฟฟ้าหรือไม่ หากชำรุดเสียหาย ให้นำเครื่องมือไปส่งซ่อมก่อนนำมาใช้ อุบัติเหตุจำนวนมากเกิดจากการดูแลรักษาเครื่องมือไฟฟ้าไม่ดีพอ
- ฉ) เครื่องมือตัดต้องคมและสะอาดอยู่เสมอ เครื่องมือตัดที่ได้รับการดูแลรักษาอย่างถูกต้องและมีขอบตัดคม จะมีปัญหาติดขัดน้อย และควบคุมได้ง่ายกว่า
- ช) ใช้เครื่องมือไฟฟ้า อุปกรณ์เสริม และดอกสว่านหรือใบมีดของเครื่องมือ เป็นต้น ให้ตรงตามข้อปฏิบัติเหล่านี้ โดยพิจารณาถึงสภาพการทำงานและงานที่ทำเป็นสำคัญ การใช้เครื่องมือไฟฟ้าทำงานอื่นนอกเหนือจากที่กำหนดไว้อาจทำให้เกิดอันตรายได้

5) การบริการ

- ก) ให้ช่างซ่อมที่มีความเชี่ยวชาญเป็นผู้ซ่อมเครื่องมือและใช้อะไหล่แท้เท่านั้น ซึ่งจะช่วยรับประกันได้ว่าเครื่องมือไฟฟ้ายังมีความปลอดภัยอยู่

ข้อปฏิบัติเพื่อความปลอดภัยเพิ่มเติมสำหรับเลื่อยฉลุไฟฟ้า

- จับเครื่องมือไฟฟ้าที่พื้นผิวส่วนที่ใช้จับซึ่งมีฉนวนป้องกันเท่านั้น เมื่อทำงานประเภทใดก็ตามที่อุปกรณ์เสริมสำหรับงานตัดอาจสัมผัสกับสายไฟที่ซ่อนอยู่หรือสายไฟของตัวเครื่อง อุปกรณ์เสริมสำหรับงานตัดที่สัมผัสถูกสายไฟที่ "มีไฟฟ้า" อาจทำให้ส่วนที่เป็นโลหะที่ถูกสัมผัสของเครื่องมือไฟฟ้าที่ "มีไฟฟ้า" และทำให้ผู้ใช้เครื่องมือถูกไฟดูดได้
- ใช้ตัวจับชิ้นงานหรือวิธีอื่น ๆ ที่ได้ผลเพื่อยึดและหนุนชิ้นงานบนแท่นที่มั่นคง การใช้มือจับหรือให้ชิ้นงานพิงกับลำตัวจะไม่มั่นคงและอาจทำให้สูญเสียการควบคุมได้

- มือต้องอยู่ห่างจากบริเวณที่ตัดตลอดเวลา ห้ามสอดมือเข้าไปใต้ชิ้นงานเด็ดขาดไม่ว่าจะด้วยเหตุผลใดๆ จับด้านหน้าของเลื่อยด้วยการจับตรงบริเวณพื้นที่จับที่โค้งมน ห้ามสอดนิ้วมือหรือหัวแม่มือเข้าไปในช่องว่างระหว่างใบเลื่อยที่กำลังเคลื่อนที่และตัวจับใบเลื่อย ห้ามจับที่ฐานเพื่อให้ใบเลื่อยอยู่กับที่
- ใบเลื่อยต้องคมอยู่เสมอ ใบเลื่อยที่ที่อาจทำให้เลื่อยเปลี่ยนทิศทางหรือติดขัดเมื่อได้รับแรงกด
- เมื่อตัดท่อน้ำหรือท่อหุ้มสายไฟ ต้องตรวจสอบให้แน่ใจว่าท่อไม่มีน้ำ หรือสายไฟ หรือวัสดุอื่นอยู่ภายใน
- ปล่อยให้มอเตอร์หยุดให้สนิทก่อนที่จะถอดใบมีดออกจากรอยตัด (ช่องที่เกิดจากการตัด) ใบมีดที่กำลังเคลื่อนที่อาจกระแทกกับชิ้นงานทำให้ใบมีดหัก ชิ้นงานเสียหาย หรือสูญเสียการควบคุม และอาจทำให้บาดเจ็บได้
- อย่าสัมผัสชิ้นงานหรือใบเลื่อยทันทีหลังจากการใช้เครื่องมือ เพราะอาจร้อนมาก
- มือจับต้องแห้ง สะอาด ปราศจากน้ำมันและจาระบีเสมอ ซึ่งจะช่วยให้ควบคุมเครื่องมือได้ดียิ่งขึ้น
- ทำความสะอาดเครื่องมือบ่อยๆ โดยเฉพาะหลังจากการใช้งานหนัก ฝุ่นละอองและเศษวัสดุที่มีอนุภาคโลหะมักจะสะสมที่พื้นผิวภายใน และอาจทำให้เกิดอันตรายร้ายแรงจากไฟดูดได้
- อย่าใช้งานเครื่องมือนี้ต่อเนื่องเป็นเวลานาน การสัมผัสที่เนื่องจากการทำงานของเครื่องมือนี้อาจทำให้เกิดการบาดเจ็บถาวรที่นิ้ว มือ และแขน ใช้ถุงมือเพื่อดูดซับแรงสั่นสะเทือนบางส่วน หยุดเครื่องเป็นระยะๆ และจำกัดเวลาในการใช้งานแต่ละวัน
- หลีกเลี่ยงการสัมผัสฝุ่นละอองจากการขัดกระดาษทราย การเลื่อย การเจียร การเจาะ และกิจกรรมการก่อสร้างอื่นเป็นเวลานานๆ สวมชุดป้องกันและล้างบริเวณที่สัมผัสฝุ่นละอองด้วยสบู่และน้ำ การปล่อยให้ฝุ่นละอองเข้าปาก ตา หรือสัมผัสผิวหนัง อาจทำให้มีการติดเชื้อสาครเคมีที่เป็นอันตราย

สัญลักษณ์บนเครื่องมือ

รูปภาพต่อไปนี้จะปรากฏบนเครื่องมือ:



โปรดอ่านคู่มือแนะนำการใช้งานก่อนใช้งาน

สัญลักษณ์

สัญลักษณ์บนป้ายที่เครื่องมือของคุณมีดังต่อไปนี้

V.....	โวลต์
A.....	แอมแปร์
Hz.....	เฮิรตซ์
W.....	วัตต์
min.....	นาที
~	ไฟกระแสสลับ
====	ไฟกระแสตรง
no.....	ความเร็วขณะไม่มีโหลด
Ⓜ.....	โครงสร้างชั้น I
Ⓧ.....	ขั้วดิน (ลงกราวด์)
Ⓜ.....	โครงสร้างชั้น II (ฉนวนสองชั้น)
△.....	สัญลักษณ์เตือนความปลอดภัย
.../min....	รอบการหมุนหรือรอบการทำงาน ต่อนาที
sfpmm.....	ความเร็วที่ผิวในหน่วยฟุตต่อนาที

ตำแหน่งของรหัสวันที่ (ภาพ 1)

รหัสวันที่ (ก) ซึ่งรวมถึงปีที่ผลิต จะพิมพ์ไว้บนตัวเครื่อง
ตัวอย่างเช่น:

2013 XX XX
ปีที่ผลิต

สิ่งที่อยู่ในบรรจุภัณฑ์

ภายในบรรจุภัณฑ์ประกอบด้วย:

- เลื่อยจลไฟฟ้า 1 เครื่อง
- ใบเลื่อย 1 ชิ้น
- คู่มือการใช้งาน 1 เล่ม
- ใบรับประกัน 1 ใบ
- รายชื่อศูนย์บริการ 1 ชุด

- โปรดตรวจหาร่องรอยความเสียหายของเครื่องมือ
ชิ้นส่วน หรืออุปกรณ์เสริม ที่อาจเกิดขึ้นในระหว่าง
การขนส่ง
- โปรดอ่านและทำความเข้าใจคู่มือเล่มนี้ก่อนการใช้งาน

คำอธิบาย (รูป 1)



คำเตือน: ห้ามปรับแต่งเครื่องมือไฟฟ้าหรือ
ชิ้นส่วนใดๆ โดยเด็ดขาด เพราะอาจทำให้
เครื่องมือชำรุดหรือได้รับบาดเจ็บได้

- สวิทช์ไก
- ปุ่มล็อค
- ก้านล็อคใบเลื่อย
- ใบเลื่อย
- แผ่นครอบฐานเลื่อย
- ฐานเลื่อย
- ก้านปรับเอียงที่ฐานเลื่อย
- ล้อควบคุมความเร็ว
- ก้านปรับลักษณะการตัด
- ไฟ LED

ความปลอดภัยทางไฟฟ้า



เครื่องมือนี้มีฉนวนสองชั้น ดังนั้นจึงไม่จำเป็นต้องมีสายดิน ต้องตรวจสอบแรงดันไฟฟ้า
จากแหล่งจ่ายไฟให้ตรงกับแรงดันไฟฟ้าบน
แผ่นแสดงพิกัดเสมอ

หากสายไฟของตัวเครื่องชำรุดเสียหาย ต้องได้รับการเปลี่ยน
โดยผู้ผลิตหรือศูนย์บริการของ DEWALT ที่ได้รับอนุญาต
เพื่อหลีกเลี่ยงอันตรายที่อาจเกิดขึ้น

วัตถุประสงค์ในการใช้งาน

เลื่อยจลไฟฟ้านี้ได้รับการออกแบบมาสำหรับการเลื่อยระดับ
มืออาชีพ

ห้าม ใช้ในบริเวณที่เปียกชื้น หรือมีของเหลวหรือแก๊สไวไฟ
อยู่ในบริเวณดังกล่าว

เลื่อยจลนี้เป็นเครื่องมือไฟฟ้าสำหรับมืออาชีพ

ห้าม ปล่อยให้เด็กสัมผัสกับเครื่องมือ ผู้ใช้งานที่ไม่มี
ประสบการณ์มาก่อนต้องได้รับการแนะนำเมื่อจะใช้
เครื่องมือนี้

- เครื่องมือนี้ไม่ได้มีไว้เพื่อการใช้งานโดยบุคคล (ซึ่งรวม
ถึงผู้เยาว์) ที่มีความบกพร่องทางร่างกาย ความสามารถ
ทางการรับรู้หรือทางจิตประสาท หรือขาดประสบการณ์
และความรู้ เว้นเสียแต่จะได้รับการควบคุมดูแลหรือ
คำแนะนำการใช้เครื่องมือโดยผู้ที่รับผิดชอบต่อความ
ปลอดภัยของบุคคลเหล่านั้น

การใช้งาน



คำเตือน: ก่อนจะทำงานใดๆ ต่อไปนี้ โปรดตรวจดูว่าได้ปิดสวิตช์และถอดปลั๊กเครื่องมือและใบเลื่อยหยุดนิ่งแล้ว ใบเลื่อยที่ใช้อาจร้อน เครื่องมือควรได้รับการจ่ายไฟผ่านทางอุปกรณ์ป้องกันไฟดูดที่มีกระแสพิทักไม่เกิน 30mA เสมอ

การใช้ใบเลื่อย (รูป 2)

1. ผลักก้านลีดใบเลื่อย (c) ขึ้นบน
2. หันฟันของใบเลื่อยไปทางด้านหน้า แล้วสอดก้านของใบเลื่อยเข้าไปในตัวยึดใบเลื่อยให้มากที่สุดเท่าที่จะทำได้
3. ปลดก้านลีด
4. ตรวจดูให้แน่ใจว่าใบเลื่อยยึดแน่นก่อนเริ่มตัด

ปรับฐานเลื่อยสำหรับการตัดเป็นมุมเอียง (รูป 3)



คำเตือน: ห้ามใช้เครื่องมือเมื่อฐานเลื่อยหลวมหรือถูกถอดออก แผ่นฐานเลื่อยสามารถตั้งค่าให้เอียงไปทางซ้ายหรือขวาได้ถึง 45°

เพื่อปรับมุมเอียง

1. ดึงก้านปรับเอียง (g) ที่ฐานเลื่อยออก และออกจากตัวเลื่อยเพื่อปลดล๊อคฐานเลื่อย (f) ตามที่แสดงในรูป
2. เลื่อนฐานเลื่อยไปทางด้านหน้าเพื่อปลดออกจากตำแหน่งหยุดด้านบวก 0°
3. ฐานเลื่อยสามารถปรับเอียงไปทางซ้ายหรือขวาได้ และมีขั้นของการปรับที่ 15°, 30° และ 45°
4. ปรับฐานเลื่อยให้เอียงเป็นมุมที่ต้องการ ใช้ไม้บรรทัดวัดมุมเพื่อยืนยันความแม่นยำของมุม
5. ดันก้านปรับเอียงที่ฐานเลื่อยให้กลับเข้าหาเลื่อยเพื่อล๊อคฐานเลื่อย

การปรับตั้งฐานเลื่อยสำหรับการตัดตรง

1. ดึงก้านปรับเอียง (g) ที่ฐานเลื่อยออก และออกจากตัวเลื่อยเพื่อปลดล๊อคฐานเลื่อย (f) ตามที่แสดงในรูป 3
2. หมุนฐานเลื่อยให้เป็นมุมประมาณ 0° แล้วดึงฐานเลื่อยไปทางด้านหลังเพื่อล๊อคตำแหน่งหยุดด้านบวก 0°
3. ดันก้านปรับเอียงที่ฐานเลื่อยให้กลับเข้าหาเลื่อยเพื่อล๊อคฐานเลื่อย

การเปิดและปิดสวิตช์

1. ถ้าต้องการเปิดสวิตช์เครื่องมือ ให้บีบสวิตช์ไก (a)
2. สำหรับการใช้งานต่อเนื่อง ให้บีบสวิตช์ไกแล้วกดปุ่มล๊อค (b) เมื่อปุ่มล๊อคถูกกดแล้ว ให้ปล่อยสวิตช์ไก
3. ถ้าต้องการปิดสวิตช์เครื่องมือ ให้ปล่อยสวิตช์ไก ถ้าต้องการปิดสวิตช์เครื่องมือในกรณีที่ใช้งานต่อเนื่อง ให้บีบสวิตช์ไกแล้วปุ่มล๊อคจะถูกปลด

สวิตช์ปรับระดับความเร็ว (รูป 4)

ล้อควบคุมความเร็ว (h) อยู่ที่ด้านบนของเลื่อย ความเร็วจะเพิ่มขึ้นเมื่อหมุนล้อจากเลข 1 ซึ่งตั้งค่าความเร็วต่ำไปยังเลข 7 ซึ่งตั้งค่าความเร็วสูง

ลักษณะการตัด – Orbital หรือ Straight (รูป 5)



คำเตือน: ก่อนเชื่อมต่อแหล่งจ่ายไฟ ให้ตรวจสอบว่าเครื่องมือไม่ได้อยู่ที่ตำแหน่งเปิด (ON) เพราะหากสวิตช์ไกอยู่ที่ตำแหน่งเปิด (ON) ในขณะที่เชื่อมต่อกับแหล่งจ่ายไฟ เครื่องจะเริ่มทำงานทันที ซึ่งอาจทำให้เครื่องมือเสียหายหรือเกิดการบาดเจ็บได้ เสี่ยงลื่นไฟฟ้าที่มีลักษณะการตัดสี่แบบคือ แบบ Orbital สามลักษณะ และแบบ Straight หนึ่งในลักษณะการตัดแบบ Orbital มีการเคลื่อนที่ของใบเลื่อยที่รุนแรงกว่า และออกแบบมาสำหรับการตัดวัสดุอ่อนอย่างเช่นไม้หรือพลาสติก วิธีการตัด Orbital นี้ช่วยให้ตัดได้เร็วกว่า แต่รอยตัดบนวัสดุมีความเรียบน้อยกว่า และในระหว่างที่ตัด นอกจากใบเลื่อยจะเคลื่อนที่ขึ้น-ลงแล้วยังเคลื่อนไปข้างหน้าด้วย

หมายเหตุ: ห้ามตัดโลหะหรือไม้เนื้อแข็ง ด้วยวิธี Orbital เด็ดขาด

การปรับลักษณะการตัด

1. โยกก้านปรับลักษณะการตัด (i) ให้อยู่ที่ตำแหน่งการตัดตำแหน่งใดตำแหน่งหนึ่งในสี่ตำแหน่งคือ 0, 1, 2 และ 3
2. ตำแหน่ง 0 เป็นการตัดแบบ Straight
3. ตำแหน่ง 1, 2 และ 3 เป็นการตัดแบบ Orbital

ความรุนแรงของการตัดจะเพิ่มขึ้นเมื่อปรับก้านปรับจากหนึ่งไปสาม โดยที่สามเป็นการตัดที่รุนแรงที่สุด

ไฟ LED

เลือกใช้หลอดไฟฟ้านี้ติดตั้งไฟ LED ซึ่งจะยังแสงแสดงเส้นทาง การตัด

ไฟนี้จะสว่างเมื่อกดสวิตช์โก และจะดับเมื่อปล่อยสวิตช์โก

แผ่นครอบฐานเลื่อยที่ถอดออกได้ (รูป 6)

ควรรีใช้แผ่นครอบฐานเลื่อย (e) ป้องกันความเสียหายเมื่อตัด พื้นผิวที่เป็นรอยขีดข่วนง่าย เช่น แผ่นลามิเนต ไม้วีเนียร์ หรือ งานสี นอกจากนี้ ยังสามารถใช้ป้องกันพื้นผิวของฐานเลื่อย ระหว่างการขนส่งและจัดเก็บได้อีกด้วย

ถ้าต้องการใส่แผ่นครอบฐานเลื่อย ให้ใส่ด้านหน้าของฐาน เลื่อย (f) เข้าที่ด้านหน้าของแผ่นครอบฐานเลื่อย (e) และลด ระดับเลื่อยลดลงตามที่แสดงในรูป 6 แผ่นครอบฐานเลื่อยจะ ล็อคกับด้านหลังของฐานเลื่อยอย่างแน่นหนา

ถ้าต้องการเอาแผ่นครอบฐานเลื่อยออก ให้จับแผ่นครอบจาก ด้านล่างตรงแท็บสองแท็บที่อยู่ด้านหลัง แล้วดึงลงและถอด ออกจากฐานเลื่อย

คำแนะนำเพื่อการใช้งานอย่างมีประสิทธิภาพ สูงสุด

การเลื่อยแผ่นลามิเนต

ขณะที่ใบเลื่อยตัดในจังหวะชักขึ้น อาจเกิดการแตกบิ่นบน พื้นผิวที่ใกล้กับแผ่นฐานเลื่อย

- ให้ใช้ใบเลื่อยแบบฟันละเอียด
- เลื่อยจากด้านหลังของชิ้นงาน
- ถ้าต้องการให้มีการแตกบิ่นน้อยที่สุด ให้ใช้เศษไม้หรือ ไม้อัดประกบทั้งสองด้านของชิ้นงานเพื่อลดการแตก และเลื่อยผ่านไม้ที่ประกบกันไว้

การเลื่อยโลหะ

- พึงระลึกว่าการเลื่อยโลหะใช้เวลามากกว่าการเลื่อยไม้
- ใช้ใบเลื่อยที่เหมาะสมสำหรับการเลื่อยโลหะ
- เมื่อตัดแผ่นโลหะที่เป็นชิ้นบาง ให้ใช้เศษไม้ประกบที่ ด้านหลังของชิ้นงานและตัดผ่านชิ้นส่วนที่ประกบกันไว้
- ทาน้ำมันบางๆ ให้ทั่วแนวที่ต้องการตัดเพื่อให้ตัดง่ายขึ้น และอายุใบเลื่อยยาวนานขึ้น สำหรับการตัดอลูมิเนียม มักใช้น้ำมันกัด

การตัดเป็นแนวตรง/วงกลม (รูป 7, 8)

การตัดเป็นแนวตรงและวงกลมโดยไม่มีเส้นดินสอดสามารถ ทำได้ง่ายด้วยแผงกัน / แนววงกลม (ไม่ได้ให้มา ต้องซื้อแยก ต่างหาก)

ใช้สกรูที่ให้มาพร้อมกับตัวกำหนดแนว โดยให้อยู่ที่ตำแหน่ง ตามที่แสดงในรูป 7 และขันสกรูเข้าไปในฐานเลื่อยเพื่อยึด แผงกันให้แน่น

ในขณะที่ตัดเป็นแนวตรง ให้อยู่ที่ตำแหน่งตามที่แสดงใน รูป 7 และเลื่อนแผงกันภายใต้สกรูจากด้านใดด้านหนึ่งของ เลื่อย จัดคานขวาง (j) ให้อยู่ที่ระยะที่ต้องการจากใบเลื่อย และขันสกรูให้แน่น สำหรับการตัดแนวตรง คานขวางนี้ควร จะหันลงและแนบกับขอบตรงของชิ้นงานตามที่แสดง

เมื่อจะตัดเป็นวงกลม ให้ปรับแผงกันเพื่อให้ระยะห่างจาก ใบเลื่อยไปยังรูในแกนแผงกัน (k) ให้อยู่ที่รัศมีที่ต้องการ และ ขันสกรูให้แน่น วางเลื่อยในลักษณะที่รูในแกนแผงกันอยู่ เหนือจุดศูนย์กลางของวงกลมที่จะตัด (รูที่เจาะสำหรับใบเลื่อย หรือรอยตัดเข้าไปข้างในจากขอบของวัสดุเพื่อให้ใบเลื่อย อยู่ในตำแหน่ง) เมื่อวางเลื่อยให้อยู่ในตำแหน่งที่ถูกต้องแล้ว ตอกตะปูตัวเล็กๆ ผ่านทางรูในแกนแผงกัน ใช้แผงกันเป็น แกนหมุน แล้วเริ่มตัดเป็นวงกลม สำหรับการตัดเป็นวงกลม คานขวางควรจะหงายขึ้น ตามที่แสดงในรูป 8

การบำรุงรักษา

เครื่องมือไฟฟ้า DEWALT ออกแบบมาเพื่อให้สามารถใช้งาน ได้อย่างยาวนานโดยมีการบำรุงรักษาที่น้อยที่สุด การที่เครื่อง ทำงานได้ดีอย่างต่อเนื่องจะขึ้นอยู่กับการดูแลรักษาที่เหมาะสม และการทำความสะอาดอย่างสม่ำเสมอ

- ทำความสะอาดช่องระบายอากาศในเครื่องมือของคุณ เป็นประจำโดยใช้แปรงขนอ่อนหรือผ้าแห้ง
- ทำความสะอาดตัวมอเตอร์เป็นประจำโดยใช้ผ้าชุบน้ำหมาดๆ ห้ามใช้น้ำยาทำความสะอาดที่มีฤทธิ์กัดกร่อน หรือมีส่วนผสมของตัวทำละลาย



การหล่อลื่น

ไม่ต้องใช้สารหล่อลื่นเพิ่มเติมกับเครื่องมือไฟฟ้านี้



การทำความสะอาด



คำเตือน: ห้ามเป่าสิ่งสกปรกและฝุ่นละอองที่สะสมออกจากตัวเครื่องเป็นประจำด้วยลมแรง เนื่องจากสิ่งสกปรกมักสะสมอยู่ภายในและรอบๆ ช่องระบายอากาศ สวมอุปกรณ์ป้องกันดวงตาและหน้ากากกันฝุ่นที่เข้มมาตรฐานในขณะดำเนินการขั้นตอนนี้



คำเตือน: ห้ามใช้สารที่เป็นตัวทำลายหรือสารเคมีที่มีฤทธิ์กัดกร่อนรุนแรงอื่นๆ ทำความสะอาดชิ้นส่วนที่ไม่ใช่โลหะของเครื่องมือ สารเคมีเหล่านี้ อาจส่งผลต่อวัสดุที่ใช้ในส่วนเหล่านี้ ใช้เฉพาะผ้าชุบน้ำสบู่อ่อนๆ เท่านั้น อย่าให้มีของเหลวใดๆ เข้าไปในเครื่องมือเด็ดขาด ห้ามจุ่มส่วนใดๆ ของเครื่องมือลงในของเหลวเด็ดขาด

อุปกรณ์เสริม



คำเตือน: เนื่องจากอุปกรณ์เสริมอื่นนอกเหนือจากที่ DEWALT มีจำหน่าย ไม่ได้ผ่านการทดสอบร่วมกับผลิตภัณฑ์นี้ จึงอาจเป็นอันตรายหากใช้อุปกรณ์เสริมดังกล่าวร่วมกับเครื่องมือนี้ เพื่อเป็นการลดความเสี่ยงจากการได้รับบาดเจ็บ ให้ใช้อุปกรณ์เสริมเฉพาะที่ DEWALT แนะนำให้ใช้ร่วมกับผลิตภัณฑ์นี้เท่านั้น

โปรดติดต่อตัวแทนจำหน่ายหากต้องการข้อมูลเพิ่มเติมเกี่ยวกับอุปกรณ์เสริมที่เหมาะสม

การปกป้องสิ่งแวดล้อม



การเก็บรวบรวมแบบคัดแยก ห้ามทิ้งผลิตภัณฑ์นี้ร่วมกับขยะในครัวเรือนปกติ

หากวันหนึ่งคุณพบว่า จำเป็นต้องเปลี่ยนผลิตภัณฑ์ DEWALT ของคุณ หรือถ้าเครื่องมือนี้ไม่เป็นประโยชน์สำหรับคุณอีกต่อไป อย่าทิ้งผลิตภัณฑ์นี้ร่วมกับขยะในครัวเรือน จัดการกับผลิตภัณฑ์นี้เพื่อให้พร้อมสำหรับการเก็บรวบรวมแบบคัดแยก



การเก็บรวบรวมแบบคัดแยกสำหรับบรรจุภัณฑ์และผลิตภัณฑ์ที่ใช้แล้วทำให้สามารถรีไซเคิลวัสดุและนำมาใช้งานอีกครั้ง การนำวัสดุรีไซเคิลมาใช้อีกครั้งจะช่วยป้องกันมลพิษต่อสิ่งแวดล้อม

และลดความต้องการวัตถุดิบ

ตามกฎระเบียบท้องถิ่นอาจมีการจัดเตรียมสถานที่สำหรับการเก็บรวบรวมแบบคัดแยกอุปกรณ์ไฟฟ้าที่ใช้ภายในครัวเรือนไว้ ณ แหล่งรับขยะของเทศบาล หรืออาจมีการรับอุปกรณ์ใช้แล้วจากผู้ค้าปลีกในกรณีที่คุณซื้อผลิตภัณฑ์ชิ้นใหม่

DEWALT พร้อมให้ความสะดวกในการเก็บรวบรวมและรีไซเคิลผลิตภัณฑ์ DEWALT เมื่อผลิตภัณฑ์เหล่านั้นหมดอายุการใช้งาน หากต้องการบริการดังกล่าวจากเรา โปรดส่งผลิตภัณฑ์ของคุณคืนศูนย์บริการที่ได้รับอนุญาต ซึ่งจะทำหน้าที่เป็นตัวแทนของเราในการเก็บรวบรวมผลิตภัณฑ์

คุณสามารถตรวจสอบเช็คศูนย์บริการใกล้บ้านที่ได้รับอนุญาต โดยติดต่อไปที่สำนักงาน DEWALT ประจำพื้นที่ ตามที่อยู่ที่ให้ไว้ในคู่มือเล่มนี้ หรือคุณอาจตรวจสอบรายชื่อศูนย์บริการ DEWALT ที่ได้รับอนุญาต รวมทั้งรายละเอียดต่างๆ ของบริการหลังการขายได้ทางอินเทอร์เน็ต:

www.2helpU.com

MÁY CỬA LỘNG

DW349R

Xin chúc mừng!

Bạn đã chọn thiết bị của DEWALT. Qua nhiều năm kinh nghiệm, những đổi mới và phát triển sản phẩm một cách toàn diện đã khiến DEWALT trở thành một trong những đối tác tin cậy nhất đối với người sử dụng dụng cụ điện cầm tay chuyên nghiệp.

Thông số Kỹ thuật

		DW349R-B1/XD	DW349R-KR	DW349R-A9	DW349R-TW
Điện áp đầu vào	V	220-240	220	220	110
Công suất đầu vào	W	500	500	500	500
Tần số	Hz	50	60	50	60
Tốc độ không tải/phút	/min	800-3200	800-3200	800-3200	800-3200
Khả năng cắt	mm	20	20	20	20
Trọng lượng	kg	2.7	2.7	2.7	2.7

Định nghĩa : Hướng dẫn an toàn

Các định nghĩa dưới đây mô tả mức độ nghiêm trọng của từng ký hiệu. Vui lòng đọc hướng dẫn sử dụng và chú ý đến các ký hiệu này



NGUY HIỂM: Chỉ tình huống nguy hiểm sắp xảy ra mà, nếu không phòng tránh, có thể gây tử vong hoặc chấn thương nghiêm trọng.



CẢNH BÁO: Chỉ tình huống nguy hiểm tiềm ẩn mà, nếu không phòng tránh, có thể gây tử vong hoặc chấn thương nghiêm trọng.



CHÚ Ý: Chỉ tình huống nguy hiểm tiềm ẩn mà, nếu không phòng tránh, có thể gây chấn thương vừa và nhẹ.

LƯU Ý: Chỉ một hoạt động không liên quan đến chấn thương cá nhân mà, nếu không phòng tránh, có thể gây hư hỏng tài sản.



Biểu thị nguy cơ bị điện giật



Biểu thị nguy cơ hỏa hoạn.



CẢNH BÁO: Để giảm nguy cơ gây chấn thương, hãy đọc sổ tay hướng dẫn.

Cảnh báo chung về an toàn các dụng cụ điện cầm tay



CẢNH BÁO: Đọc cảnh báo an toàn và hướng dẫn. Việc không tuân theo các cảnh báo và hướng dẫn có

thể gây ra bị điện giật, cháy nổ và/hoặc thương tích nghiêm trọng.

GIỮ LẠI TẤT CẢ CÁC CẢNH BÁO VÀ HƯỚNG DẪN ĐỂ THAM KHẢO VỀ SAU

Thuật ngữ “dụng cụ điện cầm tay” trong phần cảnh báo chỉ thiết bị chạy bằng điện nguồn (có dây điện) hoặc thiết bị chạy bằng pin (không có dây điện).

1) AN TOÀN TẠI NƠI LÀM VIỆC

- Giữ khu vực làm việc sạch sẽ và đủ ánh sáng.**
Những khu vực bừa bộn hoặc thiếu ánh sáng dễ gây tai nạn.
- Không vận hành dụng cụ điện cầm tay trong các môi trường dễ cháy nổ, như các môi trường có chất lỏng, khí hoặc bụi dễ cháy.** Dụng cụ điện cầm tay tạo ra các tia lửa điện có thể gây cháy bụi hoặc bốc khói.
- Không cho trẻ em và những người không liên quan lại gần khi đang vận hành dụng cụ điện cầm tay.** Những lúc xao lãng có thể khiến bạn mất kiểm soát.

2) AN TOÀN VỀ ĐIỆN

- Phích cắm của dụng cụ điện cầm tay phải vừa với ổ cắm. Không được sửa đổi phích cắm dưới bất kỳ hình thức nào. Không được sử dụng các phích cắm tiếp hợp với những dụng cụ điện cầm tay có nối đất.** Việc sử dụng phích cắm nguyên gốc và ổ cắm phù hợp sẽ giảm nguy cơ bị điện giật.
- Tránh tiếp xúc với các bề mặt được nối đất như đường ống, lò sưởi, bếp nướng**

và tủ lạnh. Nguy cơ bị điện giật sẽ cao hơn nếu cơ thể bạn nổi đất.

- c) **Không để dụng cụ điện cầm tay trong những điều kiện ẩm ướt hoặc ngâm nước mưa.** Nước vào trong dụng cụ điện cầm tay sẽ làm tăng nguy cơ bị điện giật.
- d) **Không sử dụng dây nguồn cho các mục đích khác. Tuyệt đối không sử dụng dây điện để mang, kéo hoặc rút phích cắm dụng cụ điện cầm tay. Để dây điện cách xa nguồn nhiệt, dầu mỡ, các cạnh sắc hoặc các bộ phận chuyển động.** Dây điện bị hỏng hoặc bị vướng sẽ làm tăng nguy cơ bị điện giật.
- e) **Khi vận hành dụng cụ điện cầm tay ngoài trời, hãy sử dụng dây nối dài phù hợp để sử dụng ngoài trời.** Dây điện phù hợp để sử dụng ngoài trời sẽ giảm nguy cơ bị điện giật.
- f) **Nếu bắt buộc phải vận hành dụng cụ điện cầm tay ở nơi ẩm ướt, hãy sử dụng nguồn được bảo vệ bởi thiết bị ngắt mạch tự động (RCD).** Sử dụng RCD giúp giảm nguy cơ bị điện giật.

3) AN TOÀN CÁ NHÂN

- a) **Hãy tập trung, chú ý vào những gì bạn đang làm và tỉnh táo khi vận hành dụng cụ điện cầm tay.** Không được sử dụng dụng cụ điện cầm tay khi bạn đang mệt hoặc uống rượu bia, sử dụng ma túy hoặc chất kích thích. Một khoảnh khắc mất tập trung trong khi vận hành dụng cụ điện cầm tay có thể dẫn đến chấn thương cá nhân nghiêm trọng.
- b) **Sử dụng các thiết bị bảo hộ cá nhân.** Luôn đeo kính bảo hộ. Thiết bị bảo hộ như mũ chống bụi, giày chống trượt, mũ cứng, hoặc bảo vệ tai nếu được sử dụng ở những điều kiện phù hợp sẽ giảm các chấn thương cá nhân.
- c) **Đề phòng các trường hợp vô tình khởi động máy.** Đảm bảo rơng công tắc ở vị trí tắt trước khi nối với nguồn điện và/hoặc pin, khi cầm lên hoặc mang dụng cụ. Có thể xảy ra tai nạn nếu đặt ngón tay trên công tắc khi đang cầm dụng cụ điện cầm tay hoặc công tắc của dụng cụ điện cầm tay đang bật khi sạc pin.
- d) **Hãy tháo hết khóa điều chỉnh hoặc cờ lê trước khi bật dụng cụ điện cầm tay.** Cờ lê hoặc khóa vẫn để ở bộ phận quay của dụng cụ điện cầm tay có thể dẫn đến chấn thương cá nhân.
- e) **Không với quá tầm tay.** Hãy đứng ở tư thế thích hợp và luôn giữ thăng bằng.

Điều đó giúp kiểm soát dụng cụ điện cầm tay tốt hơn ở các tình huống không lường trước.

- f) **Mặc quần áo phù hợp. Không mặc quần áo rộng hoặc đeo đồ trang sức. Giữ cho tóc, quần áo và gang tay tránh xa khỏi các bộ phận chuyển động.** Quần áo rộng, đồ trang sức hoặc tóc dài có thể bị mắc vào các bộ phận chuyển động.
- g) **Nếu các dụng cụ được cung cấp để nối các phương tiện hút hoặc gom bụi, hãy đảm bảo những dụng cụ này được nối và sử dụng đúng cách.** Sử dụng dụng cụ gom bụi có thể giảm các nguy cơ liên quan đến bụi.

4) SỬ DỤNG VÀ BẢO QUẢN THIẾT BỊ ĐIỆN

- a) **Sử dụng dụng cụ điện cầm tay phù hợp.** Sử dụng dụng cụ điện cầm tay phù hợp cho ứng dụng của bạn. Dụng cụ điện cầm tay phù hợp sẽ giúp cho công việc tốt hơn và an toàn hơn theo đúng tốc độ được thiết kế.
- b) **Không sử dụng dụng cụ điện cầm tay nếu công tắc không bật và tắt được.** Những dụng cụ điện cầm tay không điều khiển được bằng công tắc đều rất nguy hiểm và cần phải được sửa chữa.
- c) **Rút phích cắm dụng cụ điện cầm tay khỏi nguồn điện và/hoặc pin trước khi thực hiện điều chỉnh, thay phụ kiện hoặc cất giữ dụng cụ.** Các biện pháp an toàn phòng ngừa này giúp giảm nguy cơ khởi động dụng cụ điện cầm tay một cách tình cờ.
- d) **Bảo quản các dụng cụ điện cầm tay không sử dụng tránh xa tầm tay trẻ em và không cho phép những người không quen với dụng cụ điện cầm tay hoặc những hướng dẫn này vận hành dụng cụ điện cầm tay.** Dụng cụ điện cầm tay sẽ rất nguy hiểm khi được những người chưa được huấn luyện sử dụng.
- e) **Bảo trì dụng cụ điện cầm tay.** Kiểm tra các bộ phận di chuyển xem có bị lắp lệch hoặc kẹt không, các bộ phận có bị vỡ không và bất kỳ tình trạng nào khác có thể ảnh hưởng đến việc vận hành dụng cụ điện cầm tay. Nếu dụng cụ điện cầm tay bị hỏng, hãy sửa chữa trước khi sử dụng. Rất nhiều tai nạn xảy ra do công tác bảo trì các dụng cụ điện cầm tay kém.
- f) **Đảm bảo các dụng cụ cất luôn sắc và sạch sẽ.** Các dụng cụ cất được bảo trì đúng cách với các cạnh cắt sắc sẽ ít bị kẹt hơn và dễ điều khiển hơn.

- g) **Sử dụng dụng cụ điện cầm tay, các phụ kiện và mũi khoan... theo các chỉ dẫn này, chú ý đến điều kiện làm việc và công việc cần thực hiện.** Việc sử dụng dụng cụ điện cầm tay cho các mục đích khác có thể dẫn đến tình huống nguy hiểm.

5) BẢO DƯỠNG

- a) **Hãy mang dụng cụ điện cầm tay đi bảo dưỡng bởi nhân viên bảo dưỡng có chuyên môn, chỉ sử dụng các phụ kiện thay thế chính hãng.** Điều này giúp duy trì mức độ an toàn của dụng cụ điện cầm tay.

Nội Quy An Toàn Cụ Thể Bổ Sung cho Máy Cưa Lông

- **Chỉ cầm dụng cụ điện cầm tay ở phần bề mặt tay cầm cách điện khi thực hiện thao tác mà phụ kiện cắt có thể tiếp xúc với hệ thống dây điện chìm hoặc dây điện của chính dụng cụ.** Phụ kiện cắt tiếp xúc với dây điện "có điện" có thể truyền điện cho các bộ phận kim loại hở của dụng cụ điện cầm tay và có thể khiến nhân viên vận hành bị điện giật.
- **Dùng kẹp hay áp dụng một biện pháp thực tế khác nhằm bảo đảm và cố định phôi gia công trên bàn máy.** Giữ phôi bằng tay hay dựa vào người bạn đều làm cho phôi không vững và có thể dẫn tới mất kiểm soát.
- **Tay phải để xa vùng cưa.** Không được chạm vào phía dưới phôi gia công vì bất cứ lý do gì. Giữ mặt trước của cưa bằng cách nắm chặt khi vực kẹp có viền. Không đặt các ngón tay hoặc ngón cái gần lưỡi cưa và kẹp lưỡi cưa. Không giữ cưa thẳng bằng cách kẹp chân đế.
- **Đảm bảo lưỡi cưa luôn sắc bén.** Lưỡi cưa cũn hoặc bị hỏng có thể khiến cưa bị chệch hoặc ngừng chạy khi tác dụng lực.
- **Khi cưa ống hoặc đường ống, phải đảm bảo rằng chúng không chứa nước, dây điện.**
- **Phải dừng động cơ lại hoàn toàn trước khi rút lưỡi cưa ra khỏi vết cưa (rãnh lưỡi cưa tạo ra).** Lưỡi cưa đang vận hành có thể tác động đến phôi gia công gây gãy vỡ lưỡi cưa, làm hỏng phôi gia công hoặc mất kiểm soát và có thể gây thương tích cho người.
- **Không chạm vào phôi gia công hoặc lưỡi cưa ngay sau khi vận hành xong dụng cụ.** Chúng có thể rất nóng.
- **Bảo quản bộ điều khiển khô ráo, sạch sẽ và không dính dầu mỡ.** Điều này giúp kiểm soát dụng cụ tốt hơn.
- **Vệ sinh dụng cụ thường xuyên, đặc biệt là sau khi sử dụng.** Bụi và các hạt cưa có

chứa những hạt kim loại tích tụ ở bề mặt bên trong và có thể gây ra nguy cơ bị điện giật.

- **Không vận hành dụng cụ này trong một thời gian dài.** Khi máy đang vận hành, độ rung của máy có thể gây những chấn thương lâu dài cho phần ngón tay, bàn tay hoặc cánh tay. Sử dụng găng tay để có thêm độ đệm, thường xuyên nghỉ giải lao, và hạn chế làm việc quá nhiều giờ trong ngày.
- **Tránh tiếp xúc với bụi từ các hoạt động chà nhám, cắt sắt, cắt, khoan và các hoạt động xây dựng khác trong thời gian dài.** **Đeo khẩu trang và cọ rửa các khu vực tiếp xúc bằng nước và xà phòng.** Nếu để bụi bay vào miệng, mắt hoặc bám vào da có thể sẽ tạo điều kiện cho các hóa chất độc hại xâm nhập.

Ký hiệu trên máy

Trên máy có các ký hiệu sau:



Đọc kỹ hướng dẫn sử dụng trước khi dùng.

Kí hiệu

Nhãn hiệu trên dụng cụ của bạn có thể có những ký hiệu sau:

- V.....Điện áp
- A.....Ampe
- Hz.....Héc
- W.....Watt
- min.....Phút
- ~Dòng xoay chiều
- ==Dòng một chiều
- Ωtốc độ không tải
- ⚠.....Chuẩn xây dựng loại I
- ⚡.....nối đất (được nối đất)
- ⏏.....Cấu tạo cách điện kép
(cách điện kép)
- ⚠.....Ký hiệu cảnh báo an toàn
.../phút.....Số vòng quay hoặc số lần qua lại ..
..... trong một phút
sfpm..... bề mặt cưa trên phút

VỊ TRÍ MÃ NGÀY (HÌNH 1)

Mã ngày (n), bao gồm cả năm sản xuất, được in trên vỏ máy.

Ví dụ:

2013 XX XX

Năm Sản Xuất

Thiết bị trong hộp

Hộp sản phẩm bao gồm:

- 1 Cưa máy
- 1 Lưỡi cưa
- 1 Hướng dẫn sử dụng
- 1 Thẻ bảo hành
- 1 Danh sách trung tâm bảo hành

- Kiểm tra dụng cụ, các bộ phận hoặc phụ kiện xem có bị hư hỏng do quá trình vận chuyển hay không.
- Dành thời gian đọc kỹ và hiểu rõ hướng dẫn sử dụng trước khi vận hành.

Mô tả (Hình 1)



CẢNH BÁO: Không chỉnh sửa dụng cụ điện cầm tay hay bất kỳ bộ phận nào của máy. Việc chỉnh sửa có thể làm hỏng máy hoặc gây chấn thương cá nhân.

- a. Công tắc khởi động
- b. Nút khóa công tắc
- c. Cần khóa lưỡi cưa
- d. Lưỡi cưa
- e. Lót đế
- f. Đế
- g. Cần nghiêng đế
- h. Con lăn điều khiển tốc độ
- i. Cần điều khiển kiểu cưa
- j. Đèn LED

An Toàn Điện



Do dụng cụ này được cách điện kép nên không cần dây nối đất #. Luôn kiểm tra nguồn điện vào tương ứng với điện áp trên tấm định mức

Dây điện bị hỏng phải được thay thế bởi nhà sản xuất hoặc trung tâm bảo hành DeWALT được ủy quyền để tránh nguy hiểm.

MỤC ĐÍCH SỬ DỤNG

Máy cưa lộng này được thiết kế cho việc sử dụng chuyên nghiệp.

KHÔNG ĐƯỢC sử dụng máy ở những nơi ẩm ướt hoặc có chất lỏng hoặc khí dễ cháy.

Cưa máy này là một dụng cụ cầm tay chuyên nghiệp.

KHÔNG ĐƯỢC để trẻ em lại gần dụng cụ. Cần phải có người giám sát khi dụng cụ này được vận hành bởi người chưa có kinh nghiệm.

- Không cho phép những cá nhân (bao gồm cả trẻ em) bị suy giảm khả năng thể chất, trí tuệ hoặc cảm giác, hay người thiếu kinh nghiệm và kiến thức sử dụng dụng cụ điện cầm tay này, trừ khi có sự giám sát hoặc hướng dẫn của người chịu trách nhiệm về vấn đề an toàn của những cá nhân này.

THAO TÁC



Cảnh báo: Trước khi tiến hành bất kỳ thao tác nào sau đây, phải đảm bảo rằng dụng cụ được tắt và đã rút phích cắm và lưỡi cưa không hoạt động. Lưỡi cưa sử dụng có thể bị nóng. Dụng cụ luôn được cấp nguồn qua thiết bị ngắt mạch tự động có dòng điện dự định mức tối đa là 30mA.

Lắp Ráp Lưỡi Cưa (Hình 2)

1. Ấn cần khóa lưỡi cưa (c) lên.
2. Lắp trục lưỡi cưa hết cỡ vào kẹp lưỡi cưa sao cho răng cưa hướng ra phía trước.
3. Nhả cần.
4. Kiểm tra đảm bảo rằng lưỡi cưa đã được lắp chắc chắn trước khi cưa.

Điều Chỉnh Đế Để Cưa Vát (Hình3)



CẢNH BÁO: Tuyệt đối không sử dụng dụng cụ khi đế bị lỏng hoặc đã bị tháo ra. Tấm đế có thể được lắp nghiêng sang bên trái hoặc bên phải một góc lên tới 45°.

ĐIỀU CHỈNH GÓC NGHIÊNG:

1. Kéo cần nghiêng đế (g) ra xa khỏi lưỡi cưa để tháo đế (f) như trong hình 3.
2. Trượt đế về phía trước để tháo ra từ vị trí dừng cố định 0°..
3. Có thể nghiêng đế sang bên trái hoặc bên phải rồi cố định ở 1 góc 15°, 30° và 45°.
4. Cố định đế theo góc nghiêng mong muốn. Sử dụng thước đo để xác định góc một cách chính xác
5. Ấn cần nghiêng đế ra sau hướng về phía lưỡi cưa để khóa đế lại.

LẮP LẠI ĐỂ ĐỂ CỬA THĂNG:

1. Kéo cần nghiêng để (g) ra xa khỏi lưỡi cửa để tháo để (f) như trong hình 3.
2. Xoay để về một góc xấp xỉ 0° và kéo để ra sau về vị trí dừng cố định 0°.
3. Ấn cần nghiêng để ra sau hướng về phía lưỡi cửa để khóa để lại.

Bật và tắt

1. Để bật dụng cụ lên, ấn công tắc khởi động(1).
2. Nếu muốn vận hành liên tục, hãy ấn công tắc khởi động và nhấn nút khóa công tắc (2). Nhà công tắc khởi động ra khi đã ấn nút khóa công tắc.
3. Để tắt dụng cụ, hãy nhấn công tắc khởi động. Ở chế độ vận hành liên tục, để tắt dụng cụ, hãy ấn công tắc khởi động và khóa sẽ nhả ra.

Kiểm Soát Tốc Độ Biến Đổi (Hình 4)

Con lăn điều khiển tốc độ (h) nằm ở trên đỉnh máy cửa. Tăng tốc độ bằng cách trượt con lăn từ mức 1 tốc độ thấp đến mức 7 tốc độ cao.

Kiểu Cửa – Cửa Theo Quỹ Đạo hoặc Cửa Thăng (Hình 5)



CẢNH BÁO: Kiểm tra đảm bảo công tắc dụng cụ không ở vị trí **ON** trước khi kết nối với nguồn điện. Nếu công

tắc khởi động đang ở vị trí ON khi kết nối dụng cụ với nguồn điện, ngay lập tức dụng cụ sẽ khởi động. Việc này có thể khiến dụng cụ bị hỏng hoặc gây chấn thương cá nhân. Máy cửa được trang bị bốn kiểu cửa, ba kiểu cửa theo quỹ đạo và một kiểu cửa thẳng. Kiểu cửa theo quỹ đạo có chuyển động lưỡi cửa linh hoạt hơn và được thiết kế để cửa các vật liệu mềm như gỗ hoặc nhựa. Kiểu cửa theo quỹ đạo cửa nhanh hơn như bề mặt cửa trên vật liệu lại kém mịn hơn. Ở kiểu theo quỹ đạo, ngoài việc lưỡi cửa chuyển động lên xuống, nó còn chuyển động ra sau trong suốt đường cửa.

LƯU Ý: Tuyệt đối không áp dụng kiểu cửa quỹ đạo cho kim loại hoặc gỗ cứng.

ĐIỀU CHỈNH KIỂU CỬA:

1. Di chuyển cần điều khiển kiểu cửa (i) giữa bốn vị trí cửa: 0, 1, 2, và 3.
2. Vị trí 0 là kiểu cửa thẳng..
3. Vị trí 2, và 3 là kiểu cửa theo quỹ đạo

Độ cửa linh hoạt tăng lên khi điều chỉnh cần từ mức một đến mức ba, trong đó mức ba là linh hoạt nhất

ĐÈN LED

Máy cửa được trang bị đèn chiếu lên đường cửa. Đèn sẽ sáng khi ấn công tắc khởi động và tắt khi nhà công tắc này.

Lót Đế Có Thể Tháo Rời (Hình 6)

Nên sử dụng lót đế (e) không bị xây xước khi cửa bề mặt dễ bị xước, như tấm mỏng, gỗ dán hoặc sơn. Cũng có thể sử dụng lót đế để bảo vệ bề mặt đế trong quá trình vận chuyển và bảo quản.

Đề gắn lót đế, đặt mặt trước của đế (f) vào mặt trước của lót đế (e) và hạ thấp hơn cửa máy như đã chỉ ra trong hình 6. Lót đế sẽ dính an toàn vào phía sau của đế.

Để tháo lót đế, cầm lót từ phía dưới ở hai mấu phía sau và kéo xuống ra khỏi đế.

Gợi ý để sử dụng tối ưu

CỬA TẮM MÔNG

Khi lưỡi cửa cửa ngược lên, bề mặt sát tắm để có thể bị bong tróc.

- Hãy sử dụng lưỡi cửa có răng cửa nhỏ.
- Cửa từ mặt sau của phôi gia công.
- Hãy kẹp một miếng gỗ nhỏ hoặc gỗ ép ở hai mặt của phôi gia công và cửa qua kết cấu lớp này.

CỬA KIM LOẠI

- Cần lưu ý rằng cửa kim loại mất rất nhiều thời gian hơn so với cửa gỗ.
- Sử dụng lưỡi cửa phù hợp để cửa kim loại.
- Khi cửa kim loại mỏng, hãy kẹp một miếng gỗ nhỏ vào mặt sau của phôi gia công và cửa qua kết cấu lớp này.
- Bôi một lớp dầu dọc đường định cửa để thực hiện dễ dàng hơn và kéo dài tuổi thọ của lưỡi cửa hơn. Tốt hơn là nên sử dụng dầu hỏa để cửa nhôm.

Cửa Dọc/Tròn(Hình 7 & 8)

Dễ dàng thực hiện cửa dọc và cửa theo đường tròn mà không cần vạch bút chì với tấm chắn dọc / thanh dẫn theo đường tròn (không cung cấp kèm theo - cần trả phụ phí để mua).

Sử dụng vít cung cấp kèm theo thanh dẫn phụ kiện, vị trí như trong hình 7 và vận vít vào để để kẹp tấm chắn một cách chắc chắn.

Khi cửa dọc, đặt vị trí như trong hình 7 và trượt tấm chắn dọc dưới vít từ mặt kia của máy cửa. Lắp thanh ngang (j) ở khoảng cách mong muốn

với lưới cửa và xiết chặt vít. Để cửa dọc, thanh ngang nên tỉ xuống cạnh thẳng của phiê gia công như trong hình.

Khi cửa theo đường tròn, hãy điều chỉnh tấm chắn dọc sao cho khoảng cách từ lưới cửa tới lỗ trong cần tấm chắn (k) có bán kính như mong muốn và xiết chặt vít lại. Đặt máy cửa sao cho lỗ trong cần tấm chắn ở phía trên tâm đường tròn định cửa (khoan lỗ cho lưới cửa hoặc cửa vào cạnh vật liệu để đặt lưới cửa vào đúng chỗ). Khi đã đặt cửa vào đúng vị trí, hãy đóng một chiếc đinh nhỏ vào lỗ của cần tấm chắn. Sử dụng tấm chắn dọc làm cần trục quay, bắt đầu cửa hoặc cửa vào đường tròn. Để cửa theo đường tròn, thanh ngang nên được đặt lên, như trong hình 8.

BẢO TRÌ

Dụng cụ điện cầm tay của DeWALT được thiết kế để vận hành trong thời gian dài và ít phải bảo trì nhất. Dụng cụ vận hành liên tục theo ý muốn tùy thuộc vào việc bảo quản dụng cụ đúng cách và vệ sinh thường xuyên.

- Thường xuyên lau chùi các khe thông gió trong dụng cụ bằng chổi mềm hoặc khăn khô.
- Thường xuyên lau chùi vỏ động cơ bằng khăn ẩm. Không dùng chất tẩy rửa có chứa dung môi hay chất mài mòn.



Tra dầu

Dụng cụ điện cầm tay này không cần tra thêm dầu.



Vệ sinh



CẢNH BÁO: Thường xuyên thổi bụi bẩn khỏi vỏ dụng cụ khi thấy bám bụi xung quanh các khe thông gió. Đeo mặt nạ bảo vệ mắt và chống bụi theo quy định khi thực hiện quy trình này.



CẢNH BÁO: Tuyệt đối không sử dụng các dung môi và hóa chất thô để vệ sinh các bộ phận không làm bằng kim loại của dụng cụ. Các hóa chất này có thể làm tổn hại đến các nguyên vật liệu sử dụng trong các bộ phận này. Chỉ sử dụng khăn được làm ẩm bằng nước và xà phòng có

tính tẩy nhẹ. Tuyệt đối không để chất lỏng lọt vào bên trong dụng cụ; không bao giờ ngâm các bộ phận của dụng cụ vào chất lỏng.

Các phụ kiện tùy chọn



CẢNH BÁO: Do các phụ kiện, không phải các phụ kiện do DEWALT cung cấp, chưa được kiểm nghiệm với sản phẩm này; nên việc sử dụng các phụ kiện đó với sản phẩm này có thể gây nguy hiểm. Để giảm nguy cơ chấn thương, chỉ được sử dụng các phụ kiện do DEWALT khuyến nghị cho sản phẩm này.

Hỏi ý kiến đại lý bạn để biết thêm thông tin về các phụ kiện phù hợp.

Bảo vệ môi trường



Thu gom riêng. Không được vứt bỏ sản phẩm này với rác thải gia đình thông thường.

Nếu sản phẩm DEWALT của bạn cần phải thay thế, hoặc bạn không sử dụng nó trong tương lai nữa, đừng thải bỏ cùng với rác thải sinh hoạt. Sản phẩm phải được thu gom riêng.



Thu gom riêng sản phẩm đã qua sử dụng và đóng gói lại sẽ cho phép tái chế và tái sử dụng vật liệu. Tái sử dụng vật liệu tái chế giúp ngăn chặn ô nhiễm môi trường và giảm nhu cầu vật liệu thô.

Luật lệ địa phương có thể quy định việc thu gom riêng các sản phẩm điện gia dụng, tại các bãi rác thải đô thị hoặc bởi những người bán lẻ khi bạn mua sản phẩm mới.

DEWALT đáp ứng nơi thu gom và tái chế các sản phẩm của DEWALT khi các sản phẩm này đã hết hạn sử dụng. Để sử dụng dịch vụ này, vui lòng trả lại sản phẩm cho đại lý sửa chữa được ủy quyền, nơi thu gom các sản phẩm này thay mặt công ty chúng tôi.

Bạn có thể kiểm tra vị trí của đại lý sửa chữa được ủy quyền gần nhất bằng cách liên hệ với văn phòng DEWALT tại nơi bạn sống theo địa chỉ cung cấp trong sổ tay hướng dẫn này. Ngoài ra, còn có danh sách các đại lý sửa chữa được ủy

quyền của DEWALT và đầy đủ thông tin chi tiết về dịch vụ hậu mãi và các thông tin liên hệ tại website: www.2helpU.com.

