
DEWALT®

D26411

D26414

English

4

简体中文

10

한글판

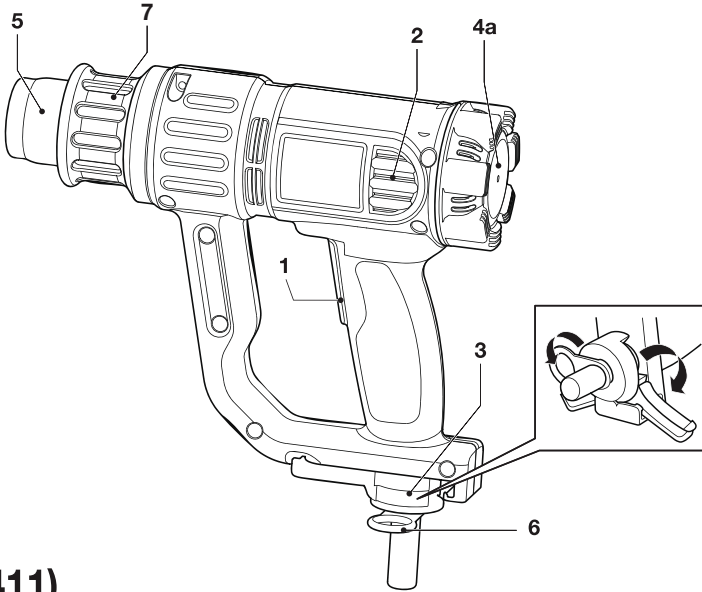
14

ไทย

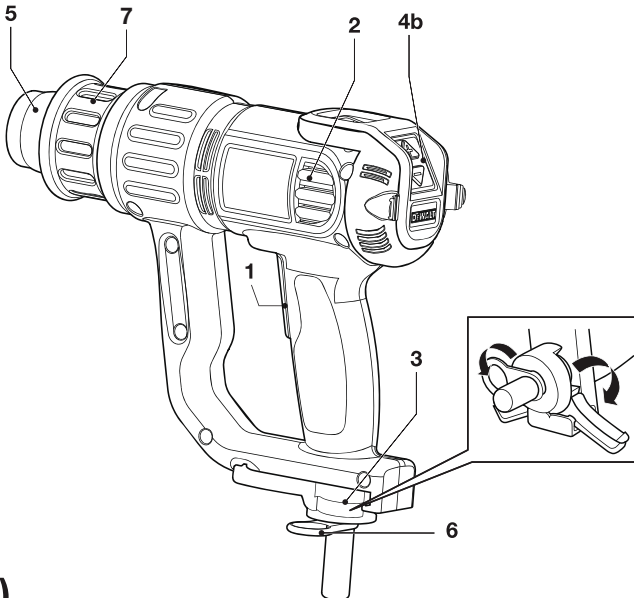
19

TIẾNG VIỆT

25

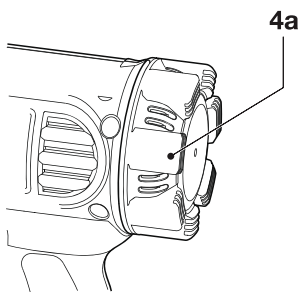


A1(D26411)

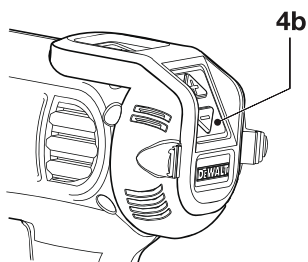


A2(D26414)

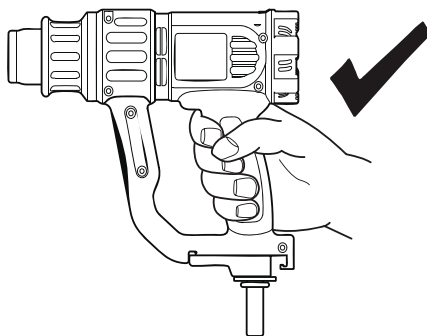
B1



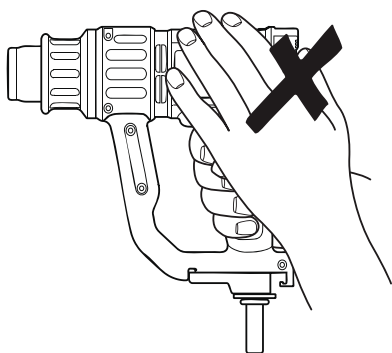
B2



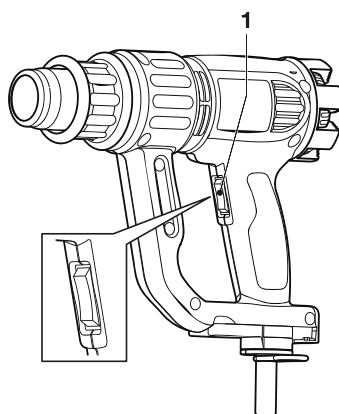
C



D



E



HEATGUN D26411/D26414

Congratulations!

You have chosen a DeWALT Power Tool. Years of experience, thorough product development and innovation make DeWALT one of the most reliable partners for professional Power Tool users.

Table of contents

Technical data	en - 1
Safety instructions	en - 2
Package contents	en - 3
Description	en - 3
Electrical safety	en - 4
Mains plug replacement (U.K. & Ireland only)	en - 4
Using an extension cable	en - 4
Assembly and adjustment	en - 4
Instructions for use	en - 5
Maintenance	en - 6
Guarantee	en - 6

Technical data

	D26411	D26414
Voltage	V 220-240	220-240
Power input	W 1,800	2,000
Air temperature range (at nozzle) °C	50-400 and 50-600	50-400 and 50-600
Weight	kg 0,74	0,78

In order to reach the specified maximum air temperatures, the units may take approximately 50 hours of use.

The following symbols are used throughout this manual:



Denotes risk of personal injury, loss of life or damage to the tool in case of non-observance of the instructions in this manual.



Denotes risk of electric shock.

Safety instructions

When using Power Tools, always observe the safety regulations applicable in your country to reduce the risk of fire, electric shock and personal injury. Read the following safety instructions before attempting to operate this product. Keep these instructions in a safe place! This tool used in indoor only.

General

1 Keep work area clean

Cluttered areas and benches can cause accidents.

2 Consider work area environment

Do not expose Power Tools to humidity. Keep work area well lit. Do not use Power Tools in the presence of flammable liquids or gases.

3 Guard against electric shock

Prevent body contact with earthed surfaces (e.g. pipes, radiators, cookers and refrigerators). For use under extreme conditions (e.g. high humidity, when metal swarf is being produced, etc.) electric safety can be improved by inserting an isolating transformer or a (FI) earth-leakage circuit-breaker.

4 Keep children away

Do not let children come into contact with the tool or extension cord. Supervision is required for those under 16 years of age.

5 Extension cords for indoor use

When the tool is used indoors, always use extension cords intended for indoor use and marked accordingly.

6 Store idle tools

When not in use, Power Tools must be stored in a dry place and locked up securely, out of reach of children.

7 Dress properly

Do not wear loose clothing or jewellery. They can be caught in moving parts. Preferably wear rubber gloves and non-slip footwear when working indoor. Wear protective hair covering to keep long hair out of the way.

8 Wear safety goggles

Also use a face or dust mask in case the operations produce dust or flying particles.

9 Beware of maximum sound pressure

Take appropriate measures for the protection of hearing if the sound pressure of 85 dB(A) is exceeded.

10 Secure workpiece

Use clamps or a vice to hold the workpiece. It is safer and it frees both hands to operate the tool.

11 Do not overreach

Keep proper footing and balance at all times.

12 Avoid unintentional starting

Do not carry the plugged-in tool with a finger on the switch. Be sure that the switch is released when plugging in.

13 Stay alert

Watch what you are doing. Use common sense. Do not operate the tool when you are tired.

14 Disconnect tool

Shut off power and wait for the tool to come to a complete standstill before leaving it unattended. Unplug the tool when not in use, before servicing or changing accessories.

15 Remove adjusting keys and wrenches

Always check that adjusting keys and wrenches are removed from the tool before operating the tool.

16 Use appropriate tool

The intended use is described in this instruction manual. Do not force small tools or attachments to do the job of a heavy-duty tool. The tool will do the job better and safer at the rate for which it was intended.

Warning! The use of any accessory or attachment or performance of any operation with this tool, other than those recommended in this instruction manual may present a risk of personal injury.

17 Do not abuse cord

Never carry the tool by its cord or pull it to disconnect from the socket. Keep the cord away from heat, oil and sharp edges.

18 Maintain tools with care

Keep the tools in good condition and clean for better and safer performance. Follow the instructions for maintenance and changing accessories. Inspect the tool cords at regular intervals and, if damaged, have them repaired by an authorized DeWALT repair agent. Inspect the extension cords periodically and replace them if damaged. Keep all controls dry, clean and free from oil and grease.

19 Check for damaged parts

Before using the tool, carefully check it for damage to ensure that it will operate properly and perform its intended function. Check for misalignment and seizure of moving parts, breakage of parts and any other conditions that may affect its operation. Have damaged guards or other defective parts repaired or replaced as instructed. Do not use the tool if the switch is defective. Have the switch replaced by an authorized DeWALT repair agent.

20 Have your tool repaired by an authorized DeWALT repair agent

This Power Tool is in accordance with the relevant safety regulations. To avoid danger, electric appliances must only be repaired by qualified technicians.

Additional safety instructions for heatguns

General

- Do not place your hand over the air vents or block the vents in any way.
- The nozzle and accessories of this tool become extremely hot during use. Let these parts cool down before touching.
- Always switch the tool off before putting it down.
- Do not leave the tool unattended while it is switched on.
- A fire may arise if the appliance is not used with care.
- Heat may be conducted to combustible materials that are out of sight. Do not use in a damp atmosphere, where flammable gases may be present or near combustible materials.
- This appliance is not intended for use by persons (including children) with reduced physical, sensory or mental capabilities, or lack of experience and knowledge, unless they have been given supervision or instruction concerning use of the appliance by a person responsible for their safety.

- Allow the tool to cool fully before storing.
- Ensure adequate ventilation as toxic fumes may be produced.
- Do not use as a hairdryer.
- Do not use to cook food.
- Do not obstruct either the air intake or nozzle outlet, as this may cause excessive heat build up resulting in damage to the tool.
- Do not direct the hot air blast at other people.
- Do not touch the metal nozzle as it becomes very hot during use and remains hot for up to 30 minutes after use.
- Do not place the nozzle against anything while using or immediately after use.
- Do not poke anything down the nozzle as it could give you an electric shock. Do not look down the nozzle while the unit is working because of the high temperatures being produced.
- Do not allow paint to adhere to the nozzle or scraper as it could ignite after some time.
- Do not remove the heat barrel cover during use.
- Do not apply to the same place for a long time.
- Do not use in presence of an explosive atmosphere.

Removing paint

- Do not use this tool to remove paint containing lead. The peelings, residue and vapours of paint may contain lead, which is poisonous. Any pre-1960 building may have been painted in the past with paint containing lead and covered with additional layers of paint. Once deposited on surfaces, hand to mouth contact can result in the ingestion of lead. Exposure even to low levels of lead can cause irreversible damage to the brain and nervous system. Young and unborn children are particularly vulnerable.
- When removing paint, ensure that the work area is enclosed. Preferably wear a dust mask.
- Do not burn the paint. Use the scraper provided and keep the nozzle at least 25 mm away from the painted surface. When working in a vertical direction, work downwards to prevent paint from falling into the tool and burning.
- Dispose of all paint debris safely and ensure that the work area is thoroughly cleaned after completing the work.

Package contents

The package contains:

- 1 Heatgun
- 1 Set of accessories
- 1 Instruction manual

- Check for damage to the tool, parts or accessories which may have occurred during transport.
- Take the time to thoroughly read and understand this manual prior to operation.

Description (fig. A)

Your DeWALT heatgun D26411/D26414 has been designed for stripping paint, soldering pipes, shrinking PVC, welding and bending plastics as well as general drying and thawing purposes.

- 1 On/off switch
- 2 Air vents
- 3 Kick-off stand
- 4a Air temperature adjustment knob
- 4b LCD air temperature indicator
- 5 Nozzle
- 6 Tool hanging Ring
- 7 Heat barrel cover

Electrical safety

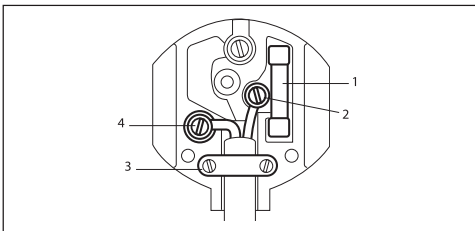
The electric motor has been designed for one voltage only. Always check that the power supply corresponds to the voltage on the rating plate.

If the supply cord is damaged, it must be replaced by the DEWALT service organization in order to avoid a hazard.

Mains plug replacement (U.K. & Ireland only)

- Should your mains plug need replacing and you are competent to do this, proceed as instructed below. If you are in doubt, contact an authorized DeWALT repair agent or a qualified electrician.
- Disconnect the plug from the supply.
- Cut off the plug and dispose of it safely; a plug with bared copper conductors is dangerous if engaged in a live socket outlet.

- Only fit 13 Amperes BS1363A approved plugs fitted with the correctly rated fuse (1).
- The cable wire colours, or a letter, will be marked at the connection points of most good quality plugs. Attach the wires to their respective points in the plug (see below). Brown is for Live (L) (2) and Blue is for Neutral (N) (4).
- Before replacing the top cover of the mains plug ensure that the cable restraint (3) is holding the outer sheath of the cable firmly and that the two leads are correctly fixed at the terminal screws.



		Cable length (m)					
		7.5	15	25	30	45	60
Voltage	Amperes	Cable rating (Amperes)					
115	0 - 2.0	6	6	6	6	6	10
	2.1 - 3.4	6	6	6	6	15	15
	3.5 - 5.0	6	6	10	15	20	20
	5.1 - 7.0	10	10	15	20	20	25
	7.1 - 12.0	15	15	20	25	25	-
	12.1 - 20.0	20	20	25	-	-	-
230	0 - 2.0	6	6	6	6	6	6
	2.1 - 3.4	6	6	6	6	6	6
	3.5 - 5.0	6	6	6	6	10	15
	5.1 - 7.0	10	10	10	10	15	15
	7.1 - 12.0	15	15	15	15	20	20
	12.1 - 20.0	20	20	20	20	25	-

Assembly and adjustment



Prior to assembly and adjustment always unplug the tool.

Setting the air temperature (fig. B 1)

The air temperature can be adjusted to suit a wide range of applications. Turn the air temperature adjustment knob either clockwise or anticlockwise for higher or lower heat. The table below suggests settings for different applications.

Setting	Applications
Low	<ul style="list-style-type: none"> • Drying paint and varnish • Removing stickers • Waxing and dewaxing • Drying wet timber prior to filling • Shrinking PVC wrapping and insulation tubes • Thawing frozen pipes
Medium	<ul style="list-style-type: none"> • Welding plastics • Bending plastic pipes and sheets • Loosening rusted or tightly fastened nuts and bolts
High	<ul style="list-style-type: none"> • Removing paint and lacquer • Soldering plumbing joints

For 115 V units with a power rating exceeding 1500 W, we recommend to fit a plug to BS4343 standard.

Using an extension cable

If an extension cable is required, use an approved 2-core extension cable suitable for the power input of this tool (see technical data).

The minimum conductor size is 1.5 mm².

When using a cable reel, always unwind the cable completely. Also refer to the table below.



Conductor size (mm ²)	Cable rating (Amperes)
0.75	6
1.00	10
1.50	15
2.50	20
4.00	25

Temperature setting (fig. B2) (Use for D26414 only)

- Set desired target temperature in steps of 10°C by pressing buttons 4b briefly.
- Pressing buttons 4b constantly increases/ decreases the target temperature continuously until the buttons are released or the minimum/ maximum temperature is reached.
- After the target temperature is set, display shows the actual rising/falling temperature until the desired temperature is reached.
- There is the “set and forget” temperature control system. The target temperature will be stored in the memory of the tool. Each time switching on the tool, the temperature heats up to the last selected target temperature in the respect of each air flow.
- If you are not sure about the correct setting, start with a low temperature setting and gradually increase the temperature until you achieve optimum results.

Mounting the correct accessory

This tool is supplied with a set of accessories for different applications.

Icon	Description	Purpose
	Cone nozzle	Welding, shrink sleeving (heat concentrated over small area)
	Fish tail surface nozzle	Drying, thawing (heat spread over wider area)

- Make sure that the tool is switched off and the nozzle has cooled down.
- Set the desired accessory onto the nozzle.

Instructions for use



- Always observe the safety instructions and applicable regulations.
- Use only one hand to hold the tool (fig. C). Do not place your other hand over the air vents (fig. D).

Prior to operation:

- Mount the correct accessory for the application.
- Set the desired air temperature.

Switching on and off (fig. E)

- To switch the tool on, set the on/off switch with 2 air flow settings. Switch on the tool by pushing switch 1 in desired position:
 - ⌋: 240 liter/min (50°C-400°C), 250 liter/min (50°C-400°C) (D26414)
A low air flow to heat up the workpiece slowly.
 - ⌋⌋: 450 liter/min (50°C-600°C), 500 liter/min (50°C-600°C) (D26414)
A high air flow to heat up the workpiece quickly.
- To switch the tool off, set the on/off switch to position O. Let the tool cool down before moving or storing it.

Stripping paint

- Mount an appropriate accessory.
- Set a high air temperature.
- Switch the tool on.
- Direct the hot air onto the paint to be removed.
- When the paint softens, scrape the paint away using a hand scraper.



- Do not strip metal window frames, as the heat may be conducted onto the glass and crack it.
- When stripping other window frames, use the glass protection nozzle.
- Do not keep the tool directed at one spot too long to prevent igniting the surface.
- Avoid collecting paint on the scraper accessory, as it may ignite. If necessary, carefully remove paint debris from the scraper accessory using a knife.

Stationary use

This tool can also be used in stationary mode.

- Open kick off stand as folding out supports 3.
- Place the tool onto the workbench as shown.
- Secure the cable to prevent pulling the tool off the workbench.
- Carefully switch the tool on.



- Make sure that the nozzle always points away from you and any bystanders.
- Make sure not to drop anything into the nozzle.

Constant heat control (overload protection)

Protects heating element from damage when tool is overloaded without having to stop it and/or let it cool down for a period of time.

- When the temperature gets too high, the heating element switches itself off, while the motor continues to run and produces cool air.
- When the temperature has fallen down sufficiently to operating temperature, the heating element will be switched on automatically.

Tool hanging ring (fig. A1-6, A2-6)

- For easy storage of the tool.



Allow the tool to cool down for at least 30 minutes before storage.

Cooling down

The nozzle and accessory become very hot during use. Let them cool down before attempting to move or store the tool.

- To reduce the cooling time, switch the tool on at the lowest air temperature setting and let it run for a few minutes.
- Switch the tool off and let it cool down for at least 30 minutes.

Consult your dealer for further information on the appropriate accessories.

Maintenance

Your DeWALT Power Tool has been designed to operate over a long period of time with a minimum of maintenance. Continuous satisfactory operation depends upon proper tool care and regular cleaning.

**Lubrication**

Your power tool requires no additional lubrication.

**Cleaning**

Keep the ventilation slots clear and regularly clean the housing with a soft cloth.

**Unwanted tools and the environment**

Take your tool to an authorized DeWALT repair agent where it will be disposed of in an environmentally safe way.

D26411/D26414 型热风枪

祝贺您!

您选购了得伟电动工具。经过多年的经验以及全面的产品开发与创新，得伟成为了电动工具专业用户最可靠的合作伙伴之一。

目录

技术参数	cn - 1
安全注意事项	cn - 2
装箱单	cn - 3
产品介绍	cn - 3
电气安全	cn - 4
电源插头更换（仅适用英国和爱尔兰）	cn - 4
使用延长电缆	cn - 4
安装与调试	cn - 4
使用说明	cn - 4
维护	cn - 4
保证	cn - 4

技术参数

	D26411型	D26414型
电压	V 220-240	220-240
功率输入	W 1,800	2,000
空气温度范围(喷嘴处) °C	50-400和50-600	50-400和50-600
重量	kg 0,74	0,78

可能需要使用第一个50小时左右后才能达到表中的最高空气温度。

在整个本手册中使用了下列符号：



表示如果不遵守本手册中的这些要求，则有可能造成人身伤亡或工具损坏。



表示有触电危险。

一般注意事项

- 保持工作区整洁**
工作区和工作台零乱可能会引起事故。
- 注意工作区环境**
不要将电动工具置于潮湿处。保持工作区充分照明。不要在有可燃液体或气体存在的场合使用电动工具。
- 防止触电**
避免身体与接地表面（例如，管道、散热器、电饭锅和电冰箱表面）接触。如果在极端条件下（例如，在高度潮湿环境或有金属屑产生时）使用，接入隔离变压器或（FI）漏电断路器，可以提高电气安全性。
- 不让儿童靠近**
不要让儿童触摸本工具或延长电缆。16岁以下的少年儿童必须实行监护。
- 室外使用时采用延长电缆**
在室外使用本工具时，务必采用室外专用并有相应标识的延长电缆。
- 闲置时妥善收藏**
电动工具闲置不用时，必须保存于干燥处，并安全上锁，以免儿童接触。
- 穿戴要求**
不要身着宽松衣服或佩戴首饰，以免卡入运动部件中。室外使用时，最好戴橡胶手套和穿防滑鞋。为避免长发被卷入本工具，应戴护发头罩。
- 戴安全防护眼镜**
如果操作时产生尘埃或扬尘，还应戴面具或防尘口罩。
- 当心最大声压**
如果声压超过85dB(A)，应采取适当措施，保护听力。
- 夹持工件**
用夹子或虎钳夹住工件，这样更加安全，而且，可以空出双手来操作工具。
- 不要过分伸展身体**
任何时候都应保持脚下重心稳定和身体平衡。
- 避免意外开机**
已如果工具已插上插头，提起时不要将手指放在开关上。如果已插上了插头，务必断开开关。
- 保持警觉**
工作时集中注意力。注意运用常识。疲劳时不要操作工具。
- 断开电源**
关闭电源，待工具完全停止运转后，操作人员才能走开。闲置不用时、维护保养前或更换配件前，必须拔下插头。
- 取下调整键和扳手**
在操作本工具之前，务必检查确保已从工具上取下了调整键和扳手。
- 选择适当型号的工具**
本使用手册介绍了工具的指定用途。不要强行用小型工具或附件来完成重型工具的工作。只有在额定速率下，工具使用的效率才更高，也更安全。
警告! 如果不按照本使用手册上的建议使用配件或附件或使用本工具，则可能存在人员伤害的危险。

17. 不要滥用用电

切勿用电线提起工具或从插座上强拽电线取下插头。不要让电线接近热源、油类和尖锐边角。

18. 细心维护工具

让工具处于完好和洁净状态，以保证更好的使用和安全性能。按照操作说明保养工具和更换配件。定期检查工具的电缆，如有破损，则由经授权的得伟维修代理进行修理。定期检查延长电缆，如有损坏，则更换。所有控制装置应保持干燥、洁净，避免与油脂类物质接触。

19. 检查部件的损坏情况

在使用本工具之前，仔细检查，看是否存在损坏情况，保证工具运行良好，能满足预期功能。检查运动部件是否存在错位和卡堵现象，是否存在部件破损和可能影响操作的其它状况。如果护罩已破损或部件存在缺陷，则按照要求进行修理或更换。如果开关出现故障，则不要使用本工具。应请得伟的授权维修代理来更换开关。

20. 由得伟的授权维修代理来维修工具

本动力工具符合相关的安全条例。为避免危险，电气产品只能由有资质的电工修理。

- 不要让涂料粘在喷嘴或刮刀上，因为时间长了，这些涂料可能会着火。
- 在使用期间，不要卸下隔热罩。
- 不要将喷嘴长时间对准同一位置操作。
- 不要在有爆炸危险的环境使用。

清除涂料

- 不要使用本工具清除含铅涂料。涂料剥落物、残渣和蒸气可能含有铅，而铅是一种毒性物质。1960年前建设的建筑物，其墙面涂料可能含有铅，而且墙面在后来又涂刷过多遍。一旦触碰这些墙面，手与嘴接触后可能会导致铅的摄入。即使接触低量的铅，也可能会对大脑和神经系统造成不可逆转的损坏。小孩和未出生的婴儿尤其容易受到损害。
- 在清除涂料时，务必将工作区封闭。最好戴上防尘面罩。
- 不要点燃涂料。使用随机提供的刮刀，让喷嘴与涂料墙面至少保持25毫米的距离。当垂直方向工作时，喷嘴朝下，以免涂料掉入工具中而被引燃。
- 将所有脱落的涂料弃置于安全处。工作结束后，务必将工作区打扫干净。

加热枪的其他安全注意事项

一般注意事项

- 不要将手盖住通气孔或以其他方式堵塞通气孔。
- 在使用过程中，本工具的喷嘴和附件将会高度发热。如果没有冷却，不得触摸这些部件。
- 在放下工具之前，务必关闭工具上的开关。
- 如果已打开开关，不得随意放置工具。
- 如果使用不慎，电气产品可能会引发火灾。
- 热量可能会传导至视线以外的可燃物。不要在潮湿的环境中、有易燃气体存在的场合或靠近可燃物使用工具。
- 患有残疾、感官或精神障碍的人、或缺乏相关经验和知识的人（包括儿童）不可使用本工具，除非在他们的安全负责人的监督或指导下使用，以确保安全。
- 收藏工具之前必须让其充分冷却。
- 务必保持通风良好，因为加工某些材料时可能会产生有毒烟雾。
- 不得将工具当作电吹风使用。
- 请勿用于加工食品。
- 不得阻塞空气入口或喷嘴出口，否则，会造成热量过度积聚，从而损坏工具。
- 不要将喷出的高温气体对准他人。
- 不要触碰金属喷嘴，因为在使用过程中金属喷嘴会发热，并且在使用后长达30分钟内持续保持高温。
- 在使用过程中或刚刚使用完后，不要将喷嘴触碰任何物品。
- 不要将任何物品插入喷嘴，否则，您可能会因此而触电。工具工作时，不要朝喷嘴内察看，因为会产生高温。

包装单

包装中包含：
热风枪，一支
附件，一套
使用手册，一本

- 检查工具、部件和附件是否在运输途中被损坏。
- 使用本工具之前，仔细阅读和理解本手册。

产品介绍（图A）

D26411/D26414型得伟加热枪用于清除涂料、焊接管道、收缩PVC管、塑料焊接和弯曲成形以及一般的干燥和解冻用途。

- 1 开关
- 2 通气孔
- 3 支架
- 4 a 空气温度调节旋钮
- 4 b 空气温度液晶显示器
- 5 喷嘴
- 6 工具挂环
- 7 隔热罩

电气安全

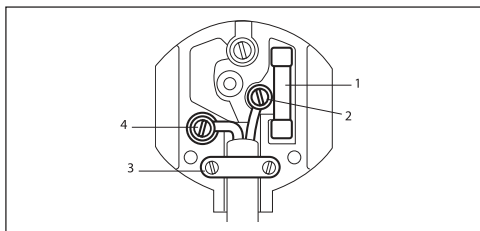
电动马达只适用于一种电压。检查电源，其电压必须符合铭牌上规定的额定电压。

如电源线损坏，请务必通过得伟服务中心购买特殊制备电源线替换。

电源插头更换

(仅适用于英国和爱尔兰)

- 如果电源插头需要更换，而且，您自己能够更换，则按如下说明进行。如果您有疑问，则与得伟授权的维修代理或有资质的电工联系。
- 从电源上拔下插头。
- 剪下插头，将其弃置于安全处；当插头处于有电的插座中时，插头的裸露铜片是危险的。
- 只采用符合BS1363A标准的13A插头，并使用额定规格的保险丝（1）。
- 大多数优质插头的接线端都用颜色或字母标识。将导线连接到插头中对应的接线部位（见下图）。棕色代表火线（L）（2），蓝色代表零线（N）（4）。
- 在盖上电源插头盖板之前，确保电缆夹片（3）牢固夹住了电缆外层护套，而且，两根导线正确地连接到接线柱上。



对于额定功率超过1500W、额定电压为115V的工具，我们建议使用符合BS4343标准的插头。

使用延长电缆

如果需要使用延长电缆，则应使用符合要求的两芯延长电缆，而且，该电缆必须适合本工具的功率输入（参见技术参数）。

导线的最小直径为1.5mm²。

如果使用电缆卷筒，务必将电缆完全松开。也请参见下表。

导线直径 (mm ²)	电缆额定电流 (A)
0.75	6
1.00	10
1.50	15
2.50	20
4.00	25
电缆长度 (m)	
7.5	15
25	30
45	60

电压	电流	电缆额定电流 (A)					
115	0 - 2.0	6	6	6	6	6	10
	2.1 - 3.4	6	6	6	6	15	15
	3.5 - 5.0	6	6	10	15	20	20
	5.1 - 7.0	10	10	15	20	20	25
	7.1 - 12.0	15	15	20	25	25	-
230	12.1 - 20.0	20	20	25	-	-	-
	0 - 2.0	6	6	6	6	6	6
	2.1 - 3.4	6	6	6	6	6	6
	3.5 - 5.0	6	6	6	6	10	15
	5.1 - 7.0	10	10	10	10	15	15
	7.1 - 12.0	15	15	15	15	20	20
	12.1 - 20.0	20	20	20	20	25	-

安装与调试



在安装与调试之前，务必拔下工具的插头。

设置空气温度 (图B1)

可以调节空气温度，使之适合多种用途。顺时针或逆时针旋转空气温度调节旋钮，可以设置更高或更低的温度。下表建议的设置适合不同用途。



空气温度设置	用途
低	<ul style="list-style-type: none"> • 吹干涂料和油漆 • 清除标签 • 上蜡和脱蜡 • 在填充之前吹干湿木材 • 收缩PVC包装材料和绝缘管线 • 解冻已冻结管道
中	<ul style="list-style-type: none"> • 焊接塑料部件 • 弯曲塑料管线和板材 • 松开已锈蚀的或已紧固的螺母和螺栓
高	<ul style="list-style-type: none"> • 清除涂料和油漆 • 焊接管道接缝

温度设置 (图B2)(只适用D26414)

- 短暂地按住按钮4b，设定所要求的目标温度。每按一次调整10°C。
- 一直按住按钮4b，则连续增加或降低目标温度，直至按钮被松开，或直至达到最低或最高温度。
- 在设定了目标温度后，显示屏显示出实际的温度上升或下降情况，直到达到所希望的温度。
- 本机配有“温度记忆”装置；机器每次重新启动时能自动加热到你在上一次设定的温度下工作（此功能均适用于2个档位的风速）。
- 如果您不确定如何正确设置，则从低温设置开始，逐渐升高温度，直至达到最佳效果。

安装正确的附件

本工具随机提供了一套附件，满足不同的应用要求。

图标	描述	用途
	锥形喷嘴	焊接、收缩套管 (热量集聚在小范围内)
	鱼尾形表面喷嘴	干燥、解冻 (热量分散在较大范围)

- 务必关闭工具的开关，并让喷嘴冷却。
- 将需要的附件安装在喷嘴上。

使用说明



- 务必遵守安全注意事项和适用的条例
- 只用一只手握住工具（图C）。不要将另一只手封住通气口（图D）。

在操作之前：

- 根据用途安装正确附件。
- 根据需要设定空气温度。

开启和关闭开关（图E）

- 打开开关时，从两档空气流量设置中选择开关设置。将开关“1”推到需要的位置，打开工具上的开关：
 - ||: 240升/分钟（50°C-400°C）
 - 250升/分钟（50°C-400°C）（D26414）
 - 采用低的空气流速，使工件缓慢加热。
 - ||: 450升/分钟（50°C-600°C）
 - 500升/分钟（50°C-600°C）（D26414）
 - 采用高的空气流速，使工件快速加热。
- 关闭工具开关时，将开关推到“O”的位置。务必让工具冷却后才能将其搬走或收藏。

清除涂料

- 安装合适的附件。
- 设置高的空气温度。
- 打开工具开关。
- 将高温气流对准需要清除的涂料。
- 待涂料变软以后，用手动刮刀刮除涂料。



- 不要用本工具清除金属窗框上的涂料，因为热量可能会传导到玻璃上，使玻璃破裂。
- 当清除其他窗框上的涂料时，使用能保护玻璃的喷嘴。
- 不要长时间将工具对准某一个点，以免引燃表面。
- 避免在刮刀附件上集聚涂料，因为涂料可能会被引燃。必要时，用小刀小心地清除刮刀附件上的涂料残留物。

固定模式使用

本工具也可以以固定模式使用。

- 将已折叠的支架3打开。
- 按所示的方法将工具置于工作台上。
- 固定好电缆，以免工具被电缆从工作台上拉下。
- 小心地打开工具上的开关。



- 切勿将喷嘴对着自己或他人。
- 切勿让异物落入喷嘴中。

恒温控制（过载保护）

当工具过载时，不必停下工具和（或）让其冷却，恒温控制装置将对加热元件提供保护，加热元件不会损坏。

- 如果温度过高，加热元件则自动关闭，而马达则持续运转，产生冷风。
- 当温度足够降低后（约需要几秒钟），加热元件则自动打开。

工具挂环（图A1-6，A2-6）



- 为了便于工具的收藏。

在收藏工具之前，至少必须冷却30分钟。

工具的冷却

在使用过程中，喷嘴和附件的温度会非常高。在试图搬走或收藏工具之前，必须让其冷却。

- 为了减少冷却时间，在最低的空气温度设置下，打开工具上的开关，让其运转数分钟。
- 关闭工具上的开关，至少让其冷却30分钟。

关于适当附件的进一步信息，请向经销商咨询。

维护

得伟电动工具可以使用较长时间而仅需要极少的维护。能否持续地满足使用要求，取决于适当保养和定期清洁。



润滑

本动力工具不需要额外的润滑。



清洁

保持通风槽板畅通，定期用柔布清洁外罩。



工具报废与环保

将报废工具送交得伟授权的维修代理，在那里将以环境安全的方式处置。

열풍기 D26411/D26414

축하합니다

귀하는 DEWALT 전동공구를 선택했습니다. 수년간의 경험과 완벽한 제품개발, 혁신을 통하여 DEWALT는 산업용 전동공구 사용자들의 가장 믿음만한 파트너로서 신뢰를 쌓아오고 있습니다.

목차

기술 데이터	KR-1
안전지침	KR-2
포장 내용	KR-3
설명	KR-3
전기 안전	KR-4
주 플러그 교체(영국 & 아일랜드)	KR-4
연장 케이블 사용	KR-4
조립 및 조정	KR-4
사용 설명서	KR-5
관리	KR-5
보증서	KR-5

기술 데이터

	D26411	D26414
전압	V 220-240	220-240
공급 전원	W 1,800	2,000
온도범위(노즐에서) °C	50-400 & 50-600	50-400 & 50-600
중량	kg 0.74	0.78

특정 최고온도에 도달하도록, 이 장비는 약 50시간 정도 사용하실 수 있습니다.

본 사용 설명서에서는 다음 기호들을 사용하고 있습니다.



본 사용 설명서의 지시사항을 준수하지 않을 경우 따를 수 있는 부상이나 사망, 전동공구의 손상 등의 위험을 나타냅니다.



감전의 위험을 나타냅니다.

안전 수칙

전동공구를 사용할 경우, 화재나 감전, 상해의 위험을 낮추도록 해당 나라의 안전 조항들을 항상 살펴보십시오. 제품을 사용하기 전에 아래 안전 수칙들을 읽어주십시오. 본 사용설명서를 보관하시어 향후 참조하십시오. 본 공구는 실내에서만 사용할 수 있습니다.

일반 수칙

- 작업 공간을 깨끗이 하십시오.**
작업 공간과 작업대가 산만하면 사고가 발생할 수 있습니다.
- 작업 공간 환경에 주의를 기울이십시오.**
습도가 높은 곳에 전동공구를 두지 마십시오. 작업 공간에는 불을 밝히십시오. 가연성 액체나 가스가 있는 곳에서는 전동공구를 사용하지 마십시오.
- 감전을 조심하십시오.**
접지된 표면(파이프, 라디에이터, 요리기기, 냉장고 등)에 신체를 접촉하지 마십시오. 극한 상황에서 사용하고자 할 때(금속 조각이 만들어질 때 높은 습도 등), 절연 변압기나 (FI) 누전회로차단기를 삽입하여 전기적 안전이 향상될 수 있습니다.
- 어린이가 가까이 오지 못하게 하십시오.**
아이들이 전동공구나 연장 코드를 건드리지 않도록 주의하십시오. 16세 미만의 아이들은 감독이 필요합니다.
- 실내 사용시 연장 코드를 사용하십시오.**
실내에서 전동공구를 사용할 때에는 항상 실내용 연장 코드를 표시된 대로 사용하십시오.
- 사용하지 않는 전동공구의 보관 전동공구를 사용하지 않을 때에는, 아이들의 손이 닿지 않는 건조하고 확실히 잠겨있는 곳에 보관해야 합니다.**
- 작업복을 갖추십시오.**
구동부위에 끼일 수 있으므로 헐렁한 옷이나 장신구를 착용하지 마십시오. 실외에서 작업할 때에는 고무 장갑이나 미끄럼 방지 신발을 신으십시오. 긴 머리카락이 빠져 나오지 않도록 보호 헬멧을 착용하십시오.
- 보안경을 쓰십시오.**
먼지나 날아다니는 입자들이 생기는 작업의 경우 얼굴마스크나 방진 마스크를 사용하십시오.
- 최대 음압을 알아두십시오.**
음압이 85dB(A)을 초과한다면 청력 보호를 위해 적절한 도구를 사용하십시오.
- 작업대상물을 확보하십시오.**
작업대상물을 잡는데 클램프나 바이스를 사용하면 더 안전하며 자유롭게 두 손으로 전동공구를 작동할 수 있습니다.

11. **무리하게 사용하지 마십시오.**
항상 적절한 발판과 균형을 유지하십시오.
12. **무심코 전동공구 작동을 하지 마십시오.**
스위치에 손을 둔 채로 전동공구를 들지 마십시오. 플러그를 꽂을 때, 스위치가 열려 있음을 확인하십시오.
13. **방심하지 마십시오.**
작업을 살펴보십시오. 상식적으로 사용하십시오. 피곤할 경우 전동공구를 작동하지 마십시오.
14. **전동공구의 플러그 빼기**
전원을 끄고 다른 일을 하기 전에 전동공구가 완전히 멈출 때까지 기다립니다. 사용하지 않을 때나 서비스를 받거나 부속품을 교환하기 전에 전동공구의 플러그를 빼놓습니다.
15. **조정키와 렌치를 제거하십시오.**
전동공구를 작동하기 전에 조정키와 렌치를 제거했는지 항상 확인하십시오.
16. **적절한 전동공구를 사용하십시오.**
본 사용설명서에는 제품의 용도가 설명되어 있습니다. 강력전동공구를 사용해야 하는 곳에 작은 기구나 부속품을 사용하여 힘을 가하지 마십시오. 용도에 맞는 전동공구를 사용함으로 보다 나은 안전한 작업을 하게 됩니다.
경고! 본 사용 설명서에서 권장하는 부속품이나 연결장치, 작업 수행 외에는 부상의 위험이 있을 수 있습니다.
17. **코드를 남용하지 마십시오.**
절대 코드를 이용해서 전동공구를 들거나 소켓에서 플러그를 뽑지 마십시오. 열이나 기름, 날카로운 모서리에서 코드를 멀리 두십시오.
18. **전동공구를 잘 관리하십시오.**
안전하고 더 나은 작업을 위해 전동공구를 잘 정비하고 깨끗하게 하십시오. 전동공구의 관리나 부속품 교환 시, 본 설명서를 따르십시오. 코드를 정기적으로 살펴보고 손상되었다면, DEWALT 수리점에서 수리를 받으십시오. 연장 코드를 주기적으로 살펴보고 손상되었다면 교체하십시오. 모든 제어 장치를 건조하고 깨끗하게 하시고, 기름이나 윤활제가 닿지 않도록 합니다.
19. **손상 부분 확인**
전동공구를 사용하기 전에, 용도에 맞게 제대로 작동하는지 주의 깊게 확인하십시오. 구동부위의 조정 불량이나 죄임 상태, 부속품의 파손, 가드나 스위치의 손상, 기타 작동에 영향을 줄 수 있는 상태 등을 확인하십시오. 스위치에 결함이 있을 경우 전동공구를 사용하지 마십시오.
DEWALT 수리점에서 손상된 부위나 결함 있는 부위를 교체하십시오.
20. **DEWALT 수리점에서 수리를 받으십시오.**
본 전동공구는 관계 안전 법규를 따르고 있습니다. 위험하지 않도록, 자격 있는 기술자 만이 전기 공구를 수리해야 합니다.

열풍기 부가 안전 수칙

일반

- 통기장치 위로 손을 두거나 어떤 방법으로든 막지 마십시오.
- 본 전동공구의 노즐과 부속품들은 사용하는 동안 매우 뜨겁게 됩니다. 만지기 전에 이 부위의 열을 식히십시오.
- 내려놓기 전에 공구의 스위치를 항상 끄십시오.
- 스위치가 켜져있는 동안 전동공구에 주의를 기울이십시오.
- 조심해서 사용하지 않으면 화재가 발생할 수 있습니다.
- 보이지 않는 곳에 있는 가연성 물질에 열이 전달될 수 있습니다. 가연성 물질이 있는 곳이나 그 근처에는 인화성 기체가 있을 수 있으므로 유독가스가 있는 곳에서 사용하지 마십시오.
- 본 공구는 신체적이나 정신적으로 결함이 있는 사람, 경험과 지식이 부족한 사람들이 사용하면 위험합니다. 이에 해당되는 사람들은 반드시 보호자의 감독이나 지도하에 공구를 사용해야 합니다.
- 보관하기 전에 공구를 완전히 식히십시오.
- 음식을 조리할 때 사용하지 마십시오.
- 독기가 발생할 수 있으므로, 적절히 환기를 하십시오.
- 헤어드라이어로 사용하지 마십시오.
- 공기가 들어가는 부분이나 노즐 아울렛을 막지 마십시오. 막힌 경우 열이 과도하게 발생하여 공구가 손상될 것입니다.
- 다른 사람에게 뜨거운 바람을 쏘이지 마십시오.
- 사용하는 도중, 사용 후 30분까지 그 열기가 남아있으므로 금속 노즐을 만지지 마십시오.
- 사용하고 있는 도중이나 사용 후 즉시 노즐을 다른 곳에 닿지 않도록 하십시오.
- 감전이 될 수 있으므로, 어떤 것으로든 노즐을 찌르지 마십시오. 작동 중에는 공구가 뜨거우므로 노즐을 보지 마십시오.
- 후에 발화할 수 있으므로, 노즐이나 스크래퍼에 페인트가 달라붙지 않도록 하십시오.
- 사용하는 동안 열 덮개를 제거하지 마십시오.
- 오랫동안 같은 곳에 열을 가하지 마십시오.
- 폭발성 대기에서는 사용하지 마십시오.

페인트 제거하기

- 납이 포함된 페인트를 제거하는데 본 전동공구를 사용하지 마십시오. 벗겨진 페인트나, 잔존 페인트, 증발된 페인트 등에도 독성이 있는 납이 있을 수 있습니다.
1960년대 이전의 건물에는 납이 포함된 페인트를 과거에 사용하고 그 위에 추가로 또 다른 페인트를 칠했을 수도 있습니다. 표면에 일단 침착이 되면, 손에서 입으로 납이 흡수될 수 있습니다. 소량의 납에 노출이 되더라도 뇌와 신경계에 비가역적인 손상을 줄 수 있습니다. 어린이와 태아가 특히 쉽게 영향을 받습니다.
- 페인트를 제거할 때, 작업 공간을 확실히 둘러 싸십시오. 방진마스크를 착용하시는 게 낫습니다.
- 페인트를 태우지 마십시오. 스크래퍼를 사용하고, 페인트 표면에서 최소한 25mm 노출이 떨어져 있도록 유지하십시오. 세로 방향으로 작업을 할 경우, 페인트가 공구로 떨어져 타지 않도록 아래쪽으로 작업하십시오.
- 모든 페인트 조각을 안전하게 버리고, 작업을 마친 후에는 작업 공간을 철저히 청소하십시오.

포장 내용

본 포장에는 다음 내용물이 들어있습니다.

- 열풍기 1
- 부속품 세트 1
- 사용 설명서 1

- 배송 시 일어날 수 있는 전동공구, 부품, 부속품 등에 손상이 있는지 확인하십시오.
- 작동하기 전에 본 사용설명서를 철저히 읽고 이해하십시오.

설명 (그림 A)

본 DEWALT 열풍기 D26411/D26414는 일반 건조나 해당 용도 이외에도 페인트를 벗겨내고, 파이프를 이어주고, PVC를 오그라들게 하며, 플라스틱을 용접하고 구부리는데 사용합니다.

- 1 On/off 스위치
- 2 통기장치
- 3 킥오프 스탠드
- 4a 온도 조정 노브
- 4b LCD 온도 지침
- 5 노출
- 6 공구길이 고리
- 7 열 덮개

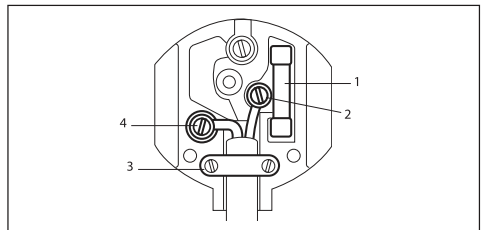
전기안전

전기 모터는 한 가지 전압에서만 작동하도록 디자인되었습니다. 계기판의 전압이 전원공급장치와 일치하는지 항상 확인하십시오.

만약 전원공급코드가 손상되면, 디칼트 서비스 센터를 통하여 반드시 적합한 코드제품으로 교체해야 합니다.

주 플러그 교체(영국과 아일랜드)

- 주 플러그를 교체해야 하고 귀하가 수월히 할 수 있다면, 다음 지침대로 따르십시오. 그렇지 않을 경우, 지정 DEWALT 서비스 센터나 기술자에게 연락하십시오.
- 전원 공급 장치에서 플러그를 제거하십시오.
- 플러그를 절단하고 안전하게 이를 처리하십시오. 구리 도선이 벗겨진 플러그는 전원이 있는 곳에 접촉하면 위험합니다.
- 13A BS1363A 플러그만을 적합한 퓨즈에 맞추십시오.
- 케이블 선의 색 혹은 글자는 가장 질 좋은 플러그의 연결 부위에 표시될 것입니다. 이 선들을 플러그의 해당 부위에(아래 참조) 놓습니다. 갈색은 Live (L) (2)이고, 파란색은 Neutral (N) (4)입니다.
- 주 플러그의 맨 위 뚜껑을 교체하기 전에 케이블 리스트레인트(3)를 케이블의 바깥쪽에 확실하게 고정했는지, 두 선이 끝에 제대로 고정되었는지 확인하십시오.



전원이 1500W를 초과하는 115V 공구의 경우, BS4343 기준에 맞는 플러그를 권장합니다.

연장케이블 사용

만약 연장케이블이 필요하다면, 본 전동공구의 소비전력에 적합한 승인받은 2코어 연장케이블을 사용하십시오. 최소 도체 크기는 1.5mm²입니다. 케이블릴 사용자시, 케이블을 완전히 풀어주십시오.

아래 표를 참조하시기 바랍니다.

도체 크기(mm2)	케이블 속도(암페어)					
0.75	6					
1.00	10					
1.50	15					
2.50	20					
4.00	25					
케이블 길이(m)						
	7.5	15	25	30	45	60
전압	전류	케이블 속도(암페어)				
115	0 - 2.0	6	6	6	6	10
	2.1 - 3.4	6	6	6	15	15
	3.5 - 5.0	6	6	10	15	20
	5.1 - 7.0	10	10	15	20	25
	7.1 - 12.0	15	15	20	25	-
230	0 - 2.0	6	6	6	6	6
	2.1 - 3.4	6	6	6	6	6
	3.5 - 5.0	6	6	6	6	10
	5.1 - 7.0	10	10	10	10	15
	7.1 - 12.0	15	15	15	15	20
12.1 - 20.0	20	20	20	25	-	

조립 및 조정



조립 및 조정을 하기 전에는 항상 전동공구의 플러그를 뽑으십시오.

온도 설정하기(그림 B1)

적용 범위에 맞게 온도를 조정할 수 있습니다. 온도를 올리거나 낮추려면 공기온도 조정 노브를 시계 방향이나 반시계 방향으로 돌리십시오. 아래 표에서는 각기 다른 사례에서 설정할 온도를 제시하고 있습니다.

설정	적용
낮음	<ul style="list-style-type: none"> 페인트와 니스 건조 스티커 제거 왁스칠 및 왁스 제거 채우기 전의 젖은 목재 말리기 PVC 랩핑과 절연 튜브 수축 언 파이프 녹이기
중간	<ul style="list-style-type: none"> 플라스틱 용접 플라스틱 파이프와 판 구부리기 녹슬거나 매우 조여져 있는 너트와 볼트 느슨하게 하기



- 높음
- 페인트와 래커 제거하기
 - 납 연결부위 땀납하기

온도 설정(그림 B2) (D26414에만 해당됩니다.)

- 4b 버튼을 잠깐 눌러 10° C씩 올려 원하는 온도를 설정하십시오.
- 버튼이 작동하지 않을 때까지 혹은 최소/최대 온도에 이를 때까지 4b 버튼을 계속 누르면 원하는 온도가 계속 올라가거나 내려갑니다.
- 목표 온도가 설정된 후, 디스플레이는그 온도에 도달할 때까지 실제 상승/하강 온도를 보여줍니다.
- 본 제품에는 온도설정 기억기능이 있습니다. 원하는 온도가 공구의 메모리에 저장됩니다. 공구의 전원을 켤 때마다, 제품의 온도는 마지막 설정된 온도까지 자동으로 가열됩니다.
- 설정이 제대로 되었는지 확인이 서지 않는다면, 저온 설정으로 시작해서 최적의 결과가 나올 때까지 온도를 점점 올려보십시오.

올바른 부속품 고정하기

본 전동공구에는 다른 작업에 적용하도록 부속품 세트가 있습니다.

아이콘	설명	용도
	콘 노즐	용접, 슬리브관 수축 (작은 면적에 열을 집중)
	물고기 꼬리모양 노즐	건조, 해동 (넓은 면적에 열을 공급)

- 본 전동공구의 스위치가 꺼졌는지, 노즐이 식었는지 확인하십시오.
- 원하는 부속품을 노즐에 끼우십시오.

사용 지침



- 항상 사용 지침과 관련 규규를 살펴보십시오.
- 한 손으로만 전동공구를 잡고 사용하십시오 (그림 C). 환기 장치 위에 다른 손을 두지 마십시오(그림 D).
- 안전을 보장해 줄 수 있는 사람이 감독 및 지시를 하지 않는 한, 신체 및 감각, 정신적인 능력이 떨어지거나 지식이나 경험이 부족한 사람(어린이 포함)이 본 공구를 사용해서는 안됩니다.
- 본 공구로 장난을 치지 않도록 어린이들을 살펴봐야 합니다.

작동 전:

- 용도에 맞는 부속품을 고정하십시오.
- 원하는 온도를 설정하십시오.

스위치 on/off (그림 E)

- 본 공구의 스위치를 켜려면, on/off 스위치와 1, 2 공기유동으로 맞추십시오. 스위치 1을 원하는 곳에 맞춰 눌러 공구의 스위치를 켜십시오.

I: 240 리터/분(50-400° C),

250리터/분(50-400° C)(D26414)

작업 대상물을 서서히 가열하는 낮은 공기유동

II: 450 리터/분(50-600° C)

500리터/분(50-600° C)(D26414)

작업 대상물을 신속하게 가열하는 높은 공기유동

전동공구의 전원을 끄려면, on/off 스위치를 O에 맞추십시오. 전동공구를 옮기거나 보관하기 전에 식히십시오.

페인트 벗겨내기

- 알맞은 부속품을 고정하십시오.
- 고온으로 설정하십시오.
- 스위치를 켜십시오.
- 제거하려는 페인트 위로 뜨거운 공기를 향하게 하십시오.
- 페인트가 연하게 되면, 스크래퍼로 벗겨내십시오.



- 열이 유리로 전달되어 갈라질 수 있으므로, 금속 창틀을 벗겨내지 마십시오.
- 기타 창틀을 벗길 때에는 유리보호노즐을 사용하십시오.

- 표면이 발화되지 않도록 한 곳에 너무 오래 열을 쬐이지 마십시오.
- 발화될 수 있으므로, 스크래퍼 부속품에 페인트가 쌓이지 않도록 하십시오, 필요하다면 칼로 스크래퍼에서 페인트 조각을 조심스럽게 제거하십시오.

고정 사용

본 전동공구는 또한 고정 모드로 사용할 수 있습니다.

- 접혀있는 킥오프 스탠드를 펴주십시오.
- 보이는 바와 같이 작업대에 전동공구를 두십시오.
- 전동공구가 작업대에서 벗어나지 않도록 케이블을 확보하십시오.
- 조심스럽게 전동공구의 스위치를 켜십시오.



- 노즐이 사용자나 그 옆에 있는 사람을 가리키지 않도록 항상 확인하십시오.
- 노즐에 어떤 것이든 떨어지지 않도록 확인하십시오.

일정한 열 제어(과부하 방지)

전동공구가 일정한 시간 동안 멈추거나 냉각되지 않은 채로 과부하 되었을 때 발열체의 손상을 방지합니다.

- 온도가 너무 높아지면, 모터가 계속 가동하고 차가운 공기를 생성하는 동안 발열체는 자동으로 꺼집니다.
- 온도가 작동 온도로 충분히 떨어지면, 발열체는 자동으로 켜지게 됩니다.

공구 걸어놓기(그림 A1-6, A2-6)

- 전동공구의 간편한 보관



보관하기 전에 최소 30분 정도 전동공구의 열을 식히십시오.

냉각하기

사용 도중 노즐과 부속품은 매우 뜨거워집니다. 전동공구를 옮기거나 보관하기 전에 냉각시키십시오.

- 냉각시간을 줄이려면, 최저 온도로 전동공구의 스위치를 켜고, 몇 분간 작동시키십시오.
- 스위치를 끄고, 최소 30분 간 열을 식히십시오.

적절한 부속품에 관한 자세한 내용은 판매자에게 문의하십시오.

관리

DEWALT 전동공구는 최소한의 관리로 오랜 기간 작동하도록 고안되었습니다. 올바른 기구 관리와 규칙적인 세척으로 계속 안전하게 사용하실 수 있습니다.



윤활제 처리하기

본 전동공구는 윤활제를 처리할 필요가 없습니다.



세척

환기부위를 깨끗이 하고, 보관 상자를 부드러운 천으로 정기적으로 깨끗이 닦아줍니다.



원하지 않는 도구와 환경

환경에 안전한 방법으로 버리시려면 전동공구를 DEWALT 수리점으로 가져오십시오.

เครื่องเป่าลมร้อน D26411/D26414

ยินดีด้วยครับ!

ท่านได้เลือกใช้เครื่องมือจาก DEWALT ด้วยประสบการณ์หลายปีที่ผ่านมาในการพัฒนาผลิตภัณฑ์และนวัตกรรมขั้นเลิศ ทำให้ DEWALT เป็นหนึ่งในเครื่องมือไฟฟ้าที่นำเชื่อถือสำหรับผู้ใช้งานระดับมืออาชีพมากที่สุด

สารบัญ

ข้อมูลทางด้านเทคนิค	th-1
ข้อปฏิบัติด้านความปลอดภัย	th-1
รายการอุปกรณ์	th-3
ลักษณะของเครื่อง	th-3
ความปลอดภัยทางไฟฟ้า	th-3
การเปลี่ยนปลั๊กสายไฟ (เฉพาะในอังกฤษและไอร์แลนด์)	th-3
การใช้สายไฟต่อพ่วง	th-4
การประกอบและการปรับตั้ง	th-4
ข้อแนะนำในการใช้งาน	th-5
การบำรุงรักษา	th-6

ข้อมูลทางด้านเทคนิค

		D26411	D26414
แรงดันไฟฟ้า	โวลต์	220-240	220-240
กำลังไฟเข้า	วัตต์	1,800	2,000
ช่วงอุณหภูมิของลมร้อน (ที่หัวพ่น)	°C	50-400 และ 50-600	50-400 และ 50-600
น้ำหนัก	กก.	0.74	0.78

เครื่องมือนี้จะสามารถเป่าลมร้อนถึงอุณหภูมิสูงสุดที่กำหนดไว้ได้เมื่อผ่านการใช้งานไปแล้วประมาณ 50 ชั่วโมง

สัญลักษณ์ด้านล่างนี้จะปรากฏอยู่ตลอดทั้งคู่มือฉบับนี้:



แสดงความเสี่ยงที่อาจเกิดการบาดเจ็บต่อบุคคล สูญเสียชีวิต หรือสร้างความเสียหายต่อเครื่องมือได้ หากไม่ได้ปฏิบัติตามข้อแนะนำในคู่มือเล่มนี้



แสดงความเสี่ยงที่อาจเกิดไฟฟ้าดูดได้

ข้อปฏิบัติด้านความปลอดภัย

เพื่อป้องกันความเสี่ยงต่อการเกิดเพลิงไหม้ การเกิดไฟฟ้าช็อต การบาดเจ็บต่อบุคคลและทรัพย์สิน จากการใช้งานเครื่องมือไฟฟ้า ท่านจะต้องปฏิบัติตามข้อกำหนดทางด้านความปลอดภัยในประเทศของท่าน อ่านข้อควรปฏิบัติทางด้านความปลอดภัยต่อไปนี้ ก่อนที่จะเริ่มใช้งานผลิตภัณฑ์นี้ กรุณาเก็บคู่มือเล่มนี้ไว้ในที่ที่ปลอดภัย!

เครื่องมือนี้มีไว้สำหรับใช้งานภายในร่มเท่านั้น

ข้อแนะนำทั่วไป

- รักษาความสะอาดพื้นที่ทำงาน**
พื้นที่และโต๊ะทำงานที่ระกระะกะอาจก่อให้เกิดอุบัติเหตุได้
- ตรวจสอบสภาพแวดล้อมของพื้นที่ในการทำงาน**
อย่าให้เครื่องมือไฟฟ้าสัมผัสกับความชื้น รักษาความสะอาดพื้นที่ทำงาน อย่าใช้เครื่องมือไฟฟ้าในบริเวณที่มีของเหลวหรือแก๊สที่ติดไฟได้
- ป้องกันอันตรายจากไฟฟ้าช็อต**
ป้องกันร่างกายไม่ให้สัมผัสกับพื้นผิวที่ถูกต่อลงดิน (เช่น ท่อ เครื่องนำความร้อน หม้อหุงข้าว และตู้เย็น) สำหรับการใช้งานภายใต้สภาพแวดล้อมที่รุนแรง (เช่น ความชื้นสูง หรือเมื่อมีเศษโลหะเกิดขึ้น เป็นต้น) สามารถเพิ่มความปลอดภัยทางไฟฟ้าได้โดยการใส่หม้อแปลงแยกวงจรหรืออุปกรณ์ตัดไฟรั่วลงดินเข้าไป
- เก็บอุปกรณ์ให้ห่างจากเด็ก**
อย่าให้เด็กเข้ามาสัมผัสเครื่องมือหรือสายไฟ กรณีที่ผู้ใช้งานที่มีอายุต่ำกว่า 16 ปี ควรจะอยู่ภายใต้การดูแลของผู้ใหญ่
- สายต่อสำหรับการใช้งานภายในร่ม**
เมื่อใช้เครื่องมือภายในร่ม ควรใช้สายไฟต่อพ่วงที่หุ้มขึ้นเพื่อการใช้งานในร่มและมีเครื่องหมายบอกไว้เท่านั้น
- เก็บเครื่องมือที่ไม่ได้ใช้งาน**
เมื่อไม่ได้ใช้งาน ให้เก็บเครื่องมือในบริเวณที่แห้งและปิดล็อคไว้อย่างปลอดภัยให้พ้นมือเด็ก
- แต่งกายให้เหมาะสม**
อย่าสวมเสื้อผ้าที่หลวมหรือสวมใส่เครื่องประดับ เพราะอาจจะถูกดึงเข้าไปในส่วนที่เคลื่อนได้ของเครื่องจักร ถ้าเป็นไปได้ให้สวมถุงมือยางและรองเท้านิรสน้ำ ในขณะกำลังทำงานกลางแจ้ง สวมที่คลุมผมเพื่อจัดเก็บผมที่ยาวไม่ให้เกะกะ
- สวมใส่แว่นครอบตา**
ใช้หน้ากากครอบหน้าหรือกันฝุ่นเมื่อต้องทำงานที่ก่อให้เกิดฝุ่นหรืออนุภาคที่ฟุ้งกระจาย

9. ระวังเสียงที่ดังมากเกินไป

กรณีที่มีความดันเสียงสูงเกินกว่า 85 dB(A) ผู้ใช้ควร
ต้องหาวิธีการที่เหมาะสมเพื่อการป้องกันการได้ยินด้วย

10. ยึดชิ้นงานให้แน่น

ใช้คีมหนีบหรือปากก้าจับชิ้นงานเพื่อยึดชิ้นงาน
เนื่องจากว่าจะปลอดภัยกว่าและช่วยให้สามารถใช้มือ
ทั้งสองข้างจับเครื่องมือได้

11. อย่าใช้งานโดยการเลื่อน

ขณะใช้เครื่องมือ ควรยืนให้มั่นคงและมีความสมดุลอยู่
ตลอดเวลา

12. หลีกเลี่ยงการเปิดเครื่องมือโดยไม่ได้ตั้งใจ

ไม่ควรถือเครื่องมือที่เสียบปลั๊กอยู่โดยวางนิ้วอยู่บนปุ่ม
เปิดปิด ตรวจสอบว่าได้ปิดสวิตช์เครื่องมือก่อนที่จะ
เสียบปลั๊กไฟ

13. ระวังแรงอยู่เสมอขณะที่ใช้เครื่องมือ

ให้มีสมาธิกับสิ่งที่กำลังทำ ใช้วิจารณญาณ ไม่ควรใช้
เครื่องขณะที่รู้สึกเหนื่อยล้า

14. ถอดสายไฟของเครื่องมือ

ปิดเครื่องและรอจนกระทั่งเครื่องมือหยุดนิ่งสนิท ก่อน
จะลงเครื่องไป ดึงสายไฟออกเมื่อไม่ใช้งาน หรือขณะ
ซ่อมแซมหรือเปลี่ยนชิ้นส่วน

15. ถอดกุญแจปรับและประแจต่างๆ ออก

ก่อนที่จะเปิดเครื่อง ควรจะตรวจสอบว่าได้ถอดประแจ
สำหรับปรับตั้งต่างๆ ออกเรียบร้อยแล้ว

16. ใช้เครื่องมือที่เหมาะสม

คู่มือเล่มนี้ได้อธิบายจุดประสงค์ในการใช้งานของ
เครื่องมือนี้ ไม่ควรพยายามใช้เครื่องมือสำหรับงานเบา
ไปใช้กับการทำงานหนัก เครื่องมือนี้จะทำงานได้ดีกว่า
และปลอดภัยกว่าหากใช้งานตามในพิภคที่ได้
กำหนดให้ใช้

คำเตือน! การใช้ชิ้นส่วนหรืออุปกรณ์เสริมหรือ
เครื่องมืออื่น ๆ ที่นอกเหนือจากที่ได้แนะนำไว้ในคู่มือ
ฉบับนี้อาจก่อให้เกิดความเสี่ยงต่อการบาดเจ็บของ
บุคคลได้

17. ห้ามใช้งานสายไฟของเครื่องมืออย่างผิดวิธี

ห้ามถือหรือหิ้วเครื่องมือโดยการจับที่สายไฟ หรือดึง
สายไฟเพื่อให้ปลั๊กหลุดจากเต้าเสียบ เก็บสายไฟให้
ห่างจากความร้อน น้ำมัน และวัตถุมีคม

18. เก็บรักษาและดูแลเครื่องมืออย่างดี

รักษาให้เครื่องมืออยู่ในสภาพดีและสะอาดเพื่อการใ้
งานที่มีประสิทธิภาพและปลอดภัย ทำตามข้อปฏิบัติใน
การดูแลรักษาเครื่องและการเปลี่ยนชิ้นส่วน ตรวจสอบ
สายไฟของเครื่องมืออย่างสม่ำเสมอ หากเครื่องมือเกิด
ความเสียหายขึ้น ต้องได้รับการซ่อมแซมจากตัวแทน
ซ่อมที่ได้รับอนุญาตจาก DEWALT เท่านั้น ตรวจสอบ
สายไฟต่อพ่วงอย่างสม่ำเสมอด้วย และหากเกิดความ
เสียหายให้เปลี่ยนสายไฟใหม่ รักษาเครื่องมือทุกส่วน
ให้แห้งและสะอาด ปรดจากน้ำมันหรือคราบมัน

19. ตรวจสอบชิ้นส่วนที่บกพร่อง

ก่อนการใช้งาน ให้ตรวจสอบตัวเครื่องและสายไฟ
อย่างระมัดระวังว่าไม่มีส่วนใดเสียหายและทำงานได้
ตามปกติ

ตรวจดูว่ามีส่วนที่บิดเบี้ยว มีการดัดขัดในส่วนที่
เคลื่อนไหวได้ มีชิ้นส่วนที่แตกหัก หรือมีสภาพอื่นใดที่
อาจมีผลต่อการใช้งานของเครื่องมือหรือไม่ ซ่อมหรือ
เปลี่ยนอุปกรณ์ป้องกันหรือชิ้นส่วนที่เกิดความเสียหาย
ตามที่ระบุไว้ในคู่มือ ห้ามใช้เครื่องมือนี้ถ้าสวิตช์เปิดปิด
ชำรุดบกพร่อง ให้ตัวแทนซ่อมที่ได้รับอนุญาตจาก
DEWALT ทำการเปลี่ยนสวิตช์ที่ชำรุดนั้น

**20. ให้ตัวแทนซ่อมที่ได้รับอนุญาตจาก DEWALT ทำ
การซ่อมแซมเครื่องมือ**

เครื่องมือไฟฟ้านี้ได้รับการออกแบบมาตามข้อกำหนด
เพื่อความปลอดภัยที่เกี่ยวข้อง การซ่อมเครื่องมือ
ไฟฟ้าจะต้องทำโดยช่างที่ได้รับอนุญาตเท่านั้นเพื่อ
หลีกเลี่ยงอันตรายที่อาจเกิดขึ้นได้

**ข้อแนะนำเพิ่มเติมด้านความปลอดภัยสำหรับเครื่อง
เป่าลมร้อน**

ข้อแนะนำทั่วไป

- อย่าให้มือของท่านอยู่เหนือช่องระบายอากาศ หรือบัง
ช่องระบายอากาศนี้โดยเด็ดขาด
- หัวพ่นและอุปกรณ์เสริมของเครื่องมือนี้จะร้อนขึ้นมา
ในระหว่างการใช้งาน ปล่อยให้เย็นลง
ก่อนที่จะหยิบจับ
- ปิดสวิตช์เครื่องมือทุกครั้งก่อนที่จะวางเครื่องมือลง
- ขณะที่ยังเปิดสวิตช์เครื่องมืออยู่ ห้ามปล่อยเครื่องมือ
ไว้โดยไม่มีผู้ดูแล
- หากไม่ใช้เครื่องมืออยู่ระยะมีดระวัง อาจเกิดเพลิงไหม้
ได้
- ความร้อนจากเครื่องมืออาจถูกนำไปถึงวัสดุที่ติดไฟได้
แม้วัสดุนั้นจะไม่ได้อยู่ใกล้ๆ ก็ตาม ห้ามใช้เครื่องมือนี้
ในสภาพอากาศที่ชื้นหรือบริเวณซึ่งอาจมีแก๊สไวไฟ
หรือใกล้กับวัสดุที่ติดไฟได้
- ผู้ที่มีสมรรถภาพลดถอยกว่าปกติทั้งทางร่างกาย ทาง
ประสาทสัมผัสหรือทางจิตใจ หรือขาดประสบการณ์
และความรู้ในการใช้งาน (รวมถึง เด็กๆ) ไม่ควรใช้
เครื่องมือนี้ เว้นแต่จะได้ใช้งานภายใต้การควบคุมดูแล
หรือได้รับคำแนะนำการใช้งานจากผู้ที่มีหน้าที่
รับผิดชอบด้านความปลอดภัยสำหรับผู้ใช้อุปกรณ์
- ปล่อยให้เครื่องมือเย็นสนิทก่อนที่จะนำไปเก็บ
- ห้ามนำไปใช้เป็นเครื่องเป่าผม
- อย่าให้ช่องลมเข้าหรือหัวพ่นลมออกอุดตัน เนื่องจาก
อาจทำให้เกิดความร้อนสะสมและก่อให้เกิดความ
เสียหายต่อเครื่องมือได้
- อย่าเป่าลมร้อนเข้าใส่บุคคลอื่น

- อย่าสัมผัสกับหัวพินลมที่เป็นโลหะ เนื่องจากหัวพินลมจะร้อนมากในระหว่างการใช้งานและจะยังคงร้อนต่อไปอีก 30 นาทีหลังการใช้งาน
- อย่าวางเครื่องโดยให้หัวพินสัมผัสกับสิ่งใดๆ ในขณะที่ใช้งานหรือเมื่อใช้งานเสร็จใหม่ๆ
- อย่าใช้วัสดุใดๆ แหย่เข้าไปในหัวพินลม เนื่องจากอาจเกิดไฟฟ้าช็อตได้ อย่ามองเข้าไปหัวพินลมในขณะที่ใช้งานเนื่องจากหัวพินจะปล่อยลมที่มีอุณหภูมิสูงมากออกมา
- อย่าให้สีติดกับหัวพินหรือที่ชุด เนื่องจากอาจเกิดการติดไฟได้
- อย่าถอดตัวล้ากของเครื่องมือออกขณะใช้งาน
- อย่าเป่าลมร้อนอยู่ที่ตำแหน่งเดิมเป็นเวลานานๆ
- ห้ามใช้เครื่องมือนี้ในสภาพอากาศที่มีโอกาสระเบิดได้

ตรวจดูว่ามีเครื่องมือ ชิ้นส่วน หรืออุปกรณ์ ได้รับความเสียหายในระหว่างการขนส่งหรือไม่

- อ่านและทำความเข้าใจคู่มือการใช้งานเล่มนี้อย่างละเอียดก่อนการใช้งาน

ลักษณะของเครื่อง (รูป A)

เครื่องเป่าลมร้อน DEWALT รุ่น D26411/D26414 ได้รับการออกแบบมาสำหรับใช้ในการขุดลอกสี เชื่อมประสานท่อ เป่าฟิล์มหัด เชื่อมและตัดพลาสติก ตลอดจนเพื่อวัตถุประสงค์ในการเป่าแห้งและหลอมละลายน้ำแข็ง

- 1 สวิตช์เปิด/ปิด
- 2 ช่องระบายอากาศ
- 3 ขาตั้ง
- 4a ปุ่มปรับอุณหภูมิ
- 4b จอ LCD บอกอุณหภูมิ
- 5 หัวพิน
- 6 แหวนสำหรับแขวนเครื่องมือ
- 7 ล้ากคล้องครอบกันความร้อน

ความปลอดภัยทางไฟฟ้า

มอเตอร์ไฟฟ้าของเครื่องมือรุ่นนี้ได้รับการออกแบบมาสำหรับแรงดันไฟฟ้าเพียงค่าเดียวเท่านั้น ควรตรวจสอบแรงดันของแหล่งจ่ายไฟทุกครั้งว่าตรงกับแรงดันที่อยู่บนแผ่นป้ายบอกพิกัดแรงดันของเครื่องหรือไม่



เครื่องมือนี้ต้องเชื่อมต่อเข้ากับเต้ารับที่ต่อสายดิน

การเปลี่ยนปลั๊กสายไฟ

(เฉพาะในอังกฤษและไอร์แลนด์)

- ถ้าท่านจำเป็นต้องเปลี่ยนปลั๊กไฟและสามารถที่จะทำได้ด้วยตนเอง ให้ท่านตามขั้นตอนด้านล่างนี้ หากมีข้อสงสัย กรุณาติดต่อตัวแทนซ่อมของ DEWALT หรือช่างที่มีความชำนาญ
- ถอดปลั๊กออกจากเต้าเสียบ
- ตัดปลั๊กออกและนำไปกำจัดอย่างปลอดภัย ปลั๊กที่มีลวดทองแดงเปลือยอยู่จะมีอันตรายได้ถ้าเสียบเข้าไปในเต้ารับที่มีไฟอยู่
- ให้ใช้ปลั๊ก BS1363A ขนาด 13 แอมแปร์ชนิดติดตั้งฟิวส์ซึ่งมีพิกัดที่ถูกต้อง (1)
- ปลั๊กที่มีคุณภาพดีส่วนใหญ่จะมีการทำเครื่องหมายสีของสายหรือตัวอักษรเอาไว้ที่จุดเชื่อมต่อ ต่อสายเข้าไปในปลั๊กให้ตรงกับจุดที่กำหนดสำหรับแต่ละสาย (ดูด้านล่าง) สีน้ำตาลคือสายที่มีไฟ (L) (2) และสีน้ำเงินคือสายนิวทรัล (N) (4)

การลอกสี

- ห้ามใช้เครื่องมือนี้ในการลอกสีที่มีส่วนผสมของตะกั่ว เนื่องจากสีที่หลุดล่อน สีตกค้างและไอระเหยของสีอาจมีสารตะกั่วอยู่ ซึ่งสารตะกั่วนี้เองเป็นสารที่มีพิษ อาคารต่างๆ ที่สร้างไว้ก่อนปี พ.ศ.2503 อาจจะมีสีที่มีส่วนผสมของตะกั่ว และเป็นไปได้ว่ามีการทาสีทับไว้หลายชั้นด้วย เมื่อสารตะกั่วติดค้างบนผิวหนึ่งและการสัมผัสจากมือเข้าปากอาจทำให้มีการกลืนสารตะกั่วเข้าปากได้ แม้ว่าร่างกายจะสัมผัสกับสารตะกั่วเพียงเล็กน้อย ก็อาจก่อความเสียหายต่อสมองและระบบประสาทอย่างถาวรได้ โดยเฉพาะอย่างยิ่ง ในเด็กเล็กและทารกในครรภ์
- เมื่อทำการลอกสี ควรตรวจสอบให้มั่นใจว่าได้ปิดล้อมพื้นที่ทำงานแล้ว นอกจากนี้ ควรสวมหน้ากากกันฝุ่นด้วย
- ระวังอย่าให้สีไหม้ไฟ ใช้เครื่องขุดสีที่เหมาะสมกับเครื่องมือ และถือเครื่องมือให้ส่วนของหัวพินลมห่างจากพื้นผิวที่ทาสีอย่างน้อย 25 มิลลิเมตร หากท่านลอกสีในแนวตั้ง ท่านควรจะทำการลอกลงด้านล่างเพื่อช่วยป้องกันไม่ให้สีไหลย้อนกลับเข้าไปในเครื่องเป่าลมร้อนและเกิดการไหม้ได้
- นำเศษสีทั้งหมดไปกำจัดอย่างปลอดภัย และตรวจสอบให้มั่นใจว่าพื้นที่ทำงานสะอาดเรียบร้อยหลังจากทำงานเสร็จ

รายการอุปกรณ์

อุปกรณ์ที่ให้มาประกอบด้วย:

เครื่องเป่าลมร้อน 1 เครื่อง

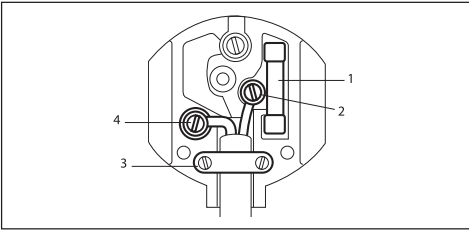
อุปกรณ์เสริม 1 ชุด

คู่มือการใช้งาน 1 เล่ม

แบบร่างอุปกรณ์แบบแยกชิ้นส่วน 1 ชุด

•

- ก่อนที่จะปิดฝาครอบของปลั๊ก ดูให้แน่ใจว่าที่รังสาย (3) รััดเปลี่ยนออกของสายอย่างแข็งแรงและลวดของสายไฟทั้งสองเส้นติดแน่นกับสกรูของขั้วต่อ



สำหรับเครื่องมือที่ใช้แรงดันไฟฟ้า 115 โวลต์ และที่มีพิกัดกำลังไฟเกินกว่า 1,500 วัตต์ ขอแนะนำให้ใช้กับปลั๊กไฟมาตรฐาน BS4343

การใช้สายไฟต่อฟวง

หากจำเป็นต้องใช้สายไฟต่อฟวง ให้ใช้เฉพาะสายฟวงชนิด 2 แกน ที่เหมาะสมกับกำลังไฟด้านเข้าของเครื่องมือรุ่นนี้เท่านั้น (ดูในข้อมูลทางด้านเทคนิค)

ลวดตัวนำในสายไฟจะต้องมีขนาดอย่างน้อย 1.5 ตร.มม. หากใช้สายไฟแบบดลัมม้วน ให้ดึงสายไฟออกมาจนสุดทุกครั้ง นอกจากนี้ ให้ดูตารางด้านล่างนี้ประกอบ

ขนาดสายไฟ (ตร.มม.)	พิกัดของสายไฟ (แอมป์)	ความยาวสายไฟ (ม.)						
0.75	6	7.5	15	25	30	45	60	
1.00	10							
1.50	15							
2.50	20							
4.00	25							
แรงดันไฟฟ้า	แอมแปร์	พิกัดของสายไฟ (แอมป์)						
115	0 - 2.0	6	6	6	6	6	10	
	2.1 - 3.4	6	6	6	6	15	15	
	3.5 - 5.0	6	6	10	15	20	20	
	5.1 - 7.0	10	10	15	20	20	25	
	7.1 - 12.0	15	15	20	25	25	-	
230	0 - 2.0	6	6	6	6	6	6	
	2.1 - 3.4	6	6	6	6	6	6	
	3.5 - 5.0	6	6	6	6	10	15	
	5.1 - 7.0	10	10	10	10	15	15	
	7.1 - 12.0	15	15	15	15	20	20	
	12.1 - 20.0	20	20	20	20	25	-	

การประกอบและการปรับตั้ง



ก่อนที่จะประกอบหรือปรับตั้งใดๆ ให้ถอดปลั๊กเครื่องมือก่อนทุกครั้ง

การตั้งอุณหภูมิ (รูป B1)

ท่านสามารถปรับตั้งอุณหภูมิให้เหมาะสมกับการใช้งานได้หลายประเภท หมุนปุ่มปรับอุณหภูมิตามหรือทวนเข็มนาฬิกาเพื่อปรับเพิ่มหรือลดระดับความร้อน ตารางด้านล่างนี้แสดงการตั้งอุณหภูมิระดับต่างๆ เพื่อการใช้งานที่แตกต่างกันไป



อุณหภูมิ	การใช้งาน
ต่ำ	<ul style="list-style-type: none"> • เป่าสีและสีเคลือบเงาให้แห้ง • ลอกสติกเกอร์ • เคลือบและลอกแวกซ์ • เป่าแผ่นไม้ให้แห้งก่อนนำไปติดตั้ง • เป่าฟิล์มหดเพื่อห่อหุ้มบรรจุภัณฑ์และฉนวนหุ้มท่อ • ละลายน้ำแข็งในท่อ
ปานกลาง	<ul style="list-style-type: none"> • เชื่อมพลาสติก • ตัดท่อและแผ่นพลาสติก • คลายเกลียวน็อตและสลักที่ขึ้นสนิมหรือติดแน่น
สูง	<ul style="list-style-type: none"> • ลอกสีและสีเคลือบเงา • เชื่อมประสานข้อต่อท่อประปา

การตั้งอุณหภูมิ (รูป B2) (ใช้ได้กับรุ่น D26414 เท่านั้น)

- ตั้งอุณหภูมิที่ต้องการได้คราวละ 10°C โดยการกดที่ปุ่ม 4b สั้นๆ
- หากกดปุ่ม 4b ดังไว้ ก็จะเป็นการเพิ่ม/ลดอุณหภูมิที่ต้องการอย่างต่อเนื่องได้ จนกว่าจะปล่อยปุ่มหรือตัวเลขเพิ่ม/ลดไปจนถึงอุณหภูมิสูงสุด/ต่ำสุดของเครื่อง
- หลังจากที่ตั้งอุณหภูมิเสร็จแล้ว หน้าจอจะแสดงอุณหภูมิจริงของเครื่องซึ่งกำลังเพิ่มขึ้น/ลดลงจนกระทั่งเครื่องมือมีอุณหภูมิถึงค่าที่ตั้งไว้
- หากท่านไม่แน่ใจว่าได้ตั้งค่าอุณหภูมิได้ถูกต้องเหมาะสมหรือไม่ ให้ท่านเริ่มใช้งานที่อุณหภูมิต่ำก่อนแล้วค่อยๆ เพิ่มอุณหภูมิขึ้นทีละน้อยจนกว่าจะได้อุณหภูมิที่ต้องการ

การต่ออุปกรณ์เสริมอย่างถูกต้อง

เครื่องมือนี้มาพร้อมกับการชุดอุปกรณ์เสริมเพื่อการเลือกใช้งานที่แตกต่างกัน

ไอคอน	รายละเอียด	วัตถุประสงค์
	หัวฟันรูปกรวย	งานเชื่อม งานเป่าลอคกรี๊ด (ให้ความร้อนสูงบริเวณพื้นที่ขนาดเล็ก)
	หัวฟันรูปหางปลา	งานเป่าแห้ง งานละลาย น้ำแข็ง (ให้ความร้อนกระจายเป็นบริเวณกว้าง)

- ก่อนการประกอบ ตรวจสอบให้มั่นใจว่าเครื่องมือมีปลั๊กสวิทช์อยู่และหัวฟันลมได้เย็นลงแล้ว
- ต่ออุปกรณ์ตามที่ต้องการเข้ากับหัวฟัน

ข้อแนะนำในการใช้งาน



- ให้ดูข้อแนะนำด้านความปลอดภัยในการทำงานและข้อกำหนดที่เกี่ยวข้อง
- ใช้มือเพียงข้างเดียวถือเครื่องมือเท่านั้น (รูป C) อย่าให้มือของท่านบังตำแหน่งของระบายอากาศ (รูป D)
- เครื่องมือนี้ไม่เหมาะสำหรับบุคคล (รวมทั้งเด็ก) ที่มีสมรรถภาพทางร่างกาย ทางประสาทสัมผัส หรือ ทางจิตใจ อยู่ในสภาพถดถอย หรือขาดประสบการณ์หรือความรู้ เว้นแต่ว่าบุคคลเหล่านั้นใช้เครื่องมือขณะอยู่ภายใต้การควบคุมดูแลหรือข้อแนะนำการใช้งานจากผู้ที่มีหน้าที่รับผิดชอบต่อความปลอดภัยของบุคคลนั้น
- สำหรับเด็กฯ ที่จะใช้เครื่องมือนี้ จำเป็นต้องมีผู้ดูแลเด็กเพื่อให้มั่นใจว่าเด็กจะไม่นำเครื่องมือไปเล่น

ก่อนการใช้งาน:

- การต่ออุปกรณ์เสริมให้เหมาะสมกับการใช้งาน
- ตั้งค่าอุณหภูมิตามที่ต้องการ

การเปิดและปิดเครื่อง (รูป E)

- ในการเปิดเครื่อง ให้กดสวิทช์เปิด/ปิด ตั้งค่าไหลเวียนอากาศได้ 2 แบบ ในการเปิดเครื่อง ให้กดสวิทช์ 1 ไปยังตำแหน่งที่ต้องการ:

|:240 ลิตร/นาที่ (50 °C - 400 °C), 250 ลิตร/นาที่ (50 °C - 400 °C) (สำหรับรุ่น D26414)
อากาศไหลเวียนช้า ทำให้ชิ้นงานร้อนช้า

||:450 ลิตร/นาที่ (50 °C - 600 °C), 500 ลิตร/นาที่ (50 °C - 600 °C) (สำหรับรุ่น D26414)
อากาศไหลเวียนเร็ว ทำให้ชิ้นงานร้อนเร็ว

- ในการปิดเครื่อง ให้เลื่อนสวิทช์เปิด/ปิด ไปยังตำแหน่ง "O" ปลั๊กสวิทช์ให้เครื่องมือเย็นลงก่อนที่จะเคลื่อนย้ายหรือนำไปเก็บ

การลอกสี

- ต่ออุปกรณ์ที่เหมาะสมเข้ากับเครื่องมือ
- ตั้งค่าอุณหภูมิลมให้ใช้อุณหภูมิสูง
- เปิดสวิทช์เครื่องมือ
- ให้ลมร้อนพุ่งโดยตรงไปยังบริเวณที่จะทำการลอกสี
- เมื่อสีอ่อนตัวลง ให้ทำการขูดสีออกโดยใช้เกรียงขูดสี



- อย่าใช้ลอกสีวงกลมหน้าต่างที่เป็นโลหะ เนื่องจากลมร้อนที่ออกมาจากเครื่องมือจะส่งความร้อนผ่านไปยังกระจกและอาจทำให้กระจกแตกได้
- เมื่อใช้ลอกสีวงกลมหน้าต่างชนิดอื่นๆ ให้ใช้หัวฟันชนิดป้องกันกระจกแตก
- อย่าฟันลมร้อนไว้ที่ตำแหน่งใดตำแหน่งหนึ่งเป็นเวลานานเกินไป เพื่อป้องกันไม่ให้เกิดผิวหนังบริเวณนั้นติดไฟ
- คอยหมั่นทิ้งเศษสีที่ค้างอยู่บนเกรียงออกอยู่เสมอ เพราะหากสะสมไว้มากอาจทำให้ติดไฟได้ หากจำเป็น ให้ใช้มีดขูดเศษสีออกจากเกรียง

การใช้งานแบบตั้งอยู่กับที่

เครื่องมือนี้สามารถใช้งานแบบอยู่กับที่ได้

- เปิดขาตั้งโดยกางสกรนรรับ 3 ออกมา
- วางเครื่องมือไว้บนโต๊ะทำงานดังแสดงในรูป
- ยึดสายไฟเอาไว้เพื่อป้องกันไม่ให้สายไฟมาดึงเครื่องเป่าลมร้อนหล่นจากโต๊ะ
- เปิดสวิทช์เครื่องมืออย่างระมัดระวัง



- ตรวจสอบให้มั่นใจว่าได้หันหัวฟันท่อออกจากตัวท่านและคนรอบข้างแล้ว
- ตรวจสอบให้มั่นใจว่าไม่ได้ทำสิ่งแปลกปลอมใดๆ หลุดเข้าไปอยู่ในหัวฟัน

การควบคุมความร้อนให้คงที่ (ป้องกันเครื่องทำงานเกินพิกัด)

ระบบนี้จะช่วยป้องกันชิ้นส่วนทำความร้อนจากความเสียหายเมื่อมีการใช้งานเครื่องมือเกินพิกัดโดยไม่ต้องหยุดเครื่องและปลั๊กเครื่องให้เย็นลง

- เมื่ออุณหภูมิสูงเกินไป ชิ้นส่วนทำความร้อนจะปิดการทำงานเอง แต่มอเตอร์ของเครื่องมือยังคงทำงานอยู่และปลั๊กอากาศเย็นออกมา

- เมื่ออุณหภูมิลดลงมากพอจนถึงอุณหภูมิใช้งานปกติ
ชิ้นส่วนทำความร้อนก็จะเริ่มทำงานเองโดยอัตโนมัติอีก
ครั้ง

แหวนสำหรับแขนเครื่องมือ (รูป A1-6, A2-6)

- แหวนนี้ใช้สำหรับเก็บเครื่องมือให้เรียบร้อยเท่านั้น



ปล่อยให้เครื่องมือเย็นลงอย่างน้อย 30 นาที
ก่อนที่จะนำไปเก็บ

การปล่อยให้เย็น

ฟิวฟนและชิ้นส่วนอุปกรณ์เสริมจะร้อนมากในระหว่างการใช้
งาน ปล่อยให้ชิ้นส่วนเหล่านั้นเย็นลงก่อนที่จะเคลื่อนย้าย
หรือนำไปเก็บ

- ท่านอาจจะย่นระยะเวลาในการปล่อยให้เย็นได้
โดยให้เปิดสวิตช์เครื่องมือและตั้งค่าอุณหภูมิลมให้ต่ำ
ที่สุด แล้วปล่อยให้เครื่องทำงานต่อไปสักสองสามนาที
- ปิดสวิตช์เครื่องมือ แล้วปล่อยให้เครื่องมือเย็นลงอย่าง
น้อย 30 นาที

สอบถามข้อมูลเพิ่มเติมเกี่ยวกับอุปกรณ์เสริมที่เหมาะสมได้
จากตัวแทนจำหน่าย

การบำรุงรักษา

เครื่องมือไฟฟ้า DeWALT ของท่านได้รับการออกแบบให้
สามารถใช้งานได้เป็นระยะเวลายาวนานโดยไม่ต้องมีการ
บำรุงรักษามากนัก การดูแลและทำความสะอาดเครื่องมือ
อย่างถูกต้องจะช่วยให้สามารถใช้งานเครื่องมือได้อย่าง
สมบูรณ์และต่อเนื่อง



การหล่อลื่น

เครื่องมือไฟฟ้าของท่านไม่จำเป็นต้องมีการหล่อลื่นเพิ่มเติม



การทำความสะอาด

ดูแลให้ช่องระบายอากาศไม่อุดตันและทำความสะอาด
ตัวเครื่องเป็นประจำด้วยผ้านุ่ม



เครื่องมือที่ไม่ใช่แล้วและการปกป้องสิ่งแวดล้อม

ให้นำเครื่องไปที่ตัวแทนซ่อมที่ได้รับอนุญาตจาก DEWALT
ซึ่งเครื่องของท่านจะได้รับการกำจัดทิ้งโดยไม่กระทบต่อ
สิ่งแวดล้อม

MÁY THÔI HƠI NÓNG D26411/D26414

Chúc mừng bạn!

Vì bạn đã lựa chọn dụng cụ DEWALT. Trải qua nhiều năm kinh nghiệm, phát triển và đổi mới sản phẩm toàn diện, DeWALT đã trở thành người bạn đồng hành đáng tin cậy của những người sử dụng dụng cụ điện cầm tay chuyên nghiệp.


Mục lục

Thông số kỹ thuật	VN-1
Độ an toàn	VN-2
Đóng gói	VN-3
Thuyết minh	VN-3
Điện	VN-4
Thay thế phích cắm chính (Chỉ áp dụng cho kiểu UK & Ireland)	VN-4
Sử dụng dây nối dài	VN-4
Lắp ráp và điều chỉnh	VN-4
Hướng dẫn sử dụng	VN-5
Bảo dưỡng	VN-6
Bảo hành	VN-6

Thông số kỹ thuật			
		D26411	D26414
Điện áp	V	220-240	220-240
Công suất đầu ra	w	1,800	2,000
Phạm vi nhiệt độ (tại đầu phun) °C		50-400 và 50-600	50-400 và 50-600
Khối lượng	kg	0.74	0.78

Để đạt được nhiệt độ không khí tối đa quy định thì dụng cụ phải được sử dụng khoảng 50 giờ.

Các ký hiệu dưới đây được sử dụng xuyên suốt tài sách hướng dẫn:

 Cảnh báo nguy hiểm tiềm ẩn gây ra thương tật hoặc chết người nếu không đọc kỹ hướng dẫn sử dụng này.

 Giật điện.

Hướng dẫn an toàn

Khi sử dụng thiết bị điện phải nắm vững các quy định về an toàn nhằm giảm thiểu rủi ro cháy nổ, điện giật và thương tật. Đọc kỹ hướng dẫn sử dụng trước khi vận hành thiết bị. Lưu giữ sách hướng dẫn để tham khảo. **Chỉ sử dụng dụng cụ này ở trong nhà.**

Tổng quát

1-Giữ nơi làm việc làm việc sạch và đủ ánh sáng

Nơi làm việc bừa bộn và tối tăm dễ gây ra tai nạn

2- Quan tâm đến môi trường khu vực công tác

Không được để dụng cụ điện cầm tay ẩm ướt. Không sử dụng dụng cụ ở khu vực có mặt của khí và chất lỏng dễ cháy nổ.

3- Bảo vệ chống điện giật

Tránh không để thân thể tiếp xúc với đất hay các vật có bề mặt tiếp đất (như đường ống, lò sưởi, nồi nấu, tủ lạnh). Khi sử dụng dụng cụ cầm tay ở điều kiện đặc biệt (như tạo ra mặt kim loại ở nơi độ ẩm cao) thì cần trang bị máy biến áp cách ly hoặc thiết bị ngắt dòng rò điện (FI)

4-Giữ trẻ em tránh xa khu vực công tác

Không để trẻ em tiếp xúc với dụng cụ điện cầm tay, cấp điện. Phải có giám sát đối với người sử dụng dưới 16 tuổi.

5- Dây nối dài sử dụng trong nhà

Khi sử dụng dụng cụ trong nhà, luôn luôn sử dụng dây nối dài dùng cho loại trong nhà.

6- Bảo quản dụng cụ

Khi không sử dụng phải cất giữ dụng cụ ở nơi khô ráo và có khóa an toàn, tránh xa tầm mắt của trẻ em

7- Trang phục phù hợp

Không mặc quần rộng lủng thùng hay mang trang sức. Sử dụng chụp bảo vệ tóc nếu tóc dài. Khi tiến hành thao tác ngoài trời thì phải đeo găng tay, giày chống trượt phù hợp

8- Đeo kính bảo vệ

Sử dụng mặt nạ bảo vệ chống bụi nếu có vật thể phát tán trong quá trình sử dụng.

9- Đề phòng áp suất âm thanh tối đa

Tiến hành các biện pháp thích hợp để bảo vệ tai nếu áp suất âm thanh vượt quá 85 dB(A).

10- An toàn phơi gia công

Sử dụng bàn kẹp/etô để giữ gia công. Sẽ an toàn hơn nếu thao tác được thực hiện bằng cả hai tay.

11- Không rướn người

Luôn luôn giữ tư thế đứng thích hợp và thẳng bằng

12- Tránh khởi động đột ngột

Đảm bảo tất công tắc của dụng cụ điện cầm tay trước khi ngắt điện dụng cụ.

13- Luôn tỉnh táo

Biết rõ mình đang làm gì và hãy sử dụng ý thức khi vận hành dụng cụ điện cầm tay

14- Ngắt điện dụng cụ

Tắt công tắc, đợi cho đến khu dụng cụ dừng hoàn toàn. Ngắt điện khi không sử dụng, trước khi thay thế các bộ phận, phụ kiện của dụng cụ.

15- Tháo chìa khóa điều chỉnh

Lấy mọi chìa khóa điều chỉnh ra trước khi mở điện dụng cụ điện cầm tay.

16- Sử dụng dụng cụ điện cầm tay đúng mục đích

Sử dụng dụng cụ điện cầm tay đúng loại theo đúng ứng dụng của máy. Không được ép máy. Dụng cụ điện cầm tay đúng chức năng sẽ làm việc tốt và an toàn hơn theo đúng tiến độ mà máy được thiết kế.

Cảnh báo! Sử dụng các phụ kiện hoặc thiết bị kết nối không đúng với khuyến cáo trong sách hướng dẫn có thể dẫn đến rủi ro thương tật.

17- Không lạm dụng dây dẫn điện

Không bao giờ được nắm dây dẫn để xách, kéo hay rút phích cắm điện nguồn điện cầm tay

18- Bảo dưỡng dụng cụ điện.

Luôn đảm bảo dụng cụ điện cầm tay trong điều kiện tốt nhất. Tuân thủ hướng dẫn bảo dưỡng là thay thế phụ kiện. Kiểm tra dây dẫn dụng cụ thường xuyên, nếu phát hiện hỏng hóc thì cần gọi cho Bộ phận sửa chữa DeWALT. Kiểm tra dây nối dài thường xuyên, thay thế nếu có hư hại. Đảm bảo tất cả các bộ phận khô ráo, sạch dầu mỡ.

19- Kiểm tra các bộ phận

Trước khi sử dụng dụng cụ, kiểm tra cẩn thận các bộ phận để đảm bảo dụng cụ được vận hành trong điều kiện tốt và đúng mục đích thiết kế. Kiểm tra các bộ phận chuyển động có bị sai lệch hay kẹt, các bộ phận bị rạn nứt và các tình trạng khác có thể ảnh hưởng đến sự vận hành của máy. Nếu các bộ phận bảo vệ bị hỏng thì phải được sửa chữa thay thế đúng theo hướng dẫn. Không sử dụng dụng cụ nếu không đảm bảo an toàn. Chỉ để thợ chuyên môn của DeWALT thay thế công tắc.

20- Chỉ để thợ chuyên môn của DeWALT sửa chữa dụng cụ của bạn

Dụng cụ điện cầm tay này được thiết kế phù hợp tiêu chuẩn an toàn. Tránh rủi ro, dụng cụ chỉ nên để thợ chuyên môn sửa chữa.

Chỉ dẫn bổ sung đảm bảo sử dụng máy thổi gió nóng an toàn

- Không đặt vật gì che chắn hoặc bịt lỗ thông khí.
- Đầu phun và phụ kiện dụng cụ sẽ bị nóng trong suốt quá trình sử dụng nên phải để nguội trước khi chạm vào các bộ phận này.
- Luôn tắt nguồn dụng cụ trước khi đặt dụng cụ xuống.
- Sử dụng không đúng có thể phát sinh hỏa hoạn.
- Không sử dụng dụng cụ ở khu vực có khí ẩm, khí dễ cháy, vật liệu dễ bắt lửa.
- Những người không có chuyên môn không được sử dụng nhằm giảm thiểu rủi ro. Đối với trẻ em, khi sử dụng phải có người giám sát đảm bảo an toàn.

- Làm mát dụng cụ trước khi cất giữ.
- Đảm bảo thông khí độc (nếu có) thích hợp
- Không sử dụng dụng cụ làm máy sấy tóc
- Không sử dụng dụng cụ để sấy thực phẩm
- Không làm tắc nghẽn đầu khí vào vào đầu phun. Nếu không có thể khiến nhiệt độ dụng cụ tăng cao khiến dụng cụ hư hỏng.
- Không thổi trực tiếp khí nóng vào người khác
- Không chạm vào đầu phun khi còn nóng, lúc đang sử dụng và phải để nguội dụng cụ trong khoảng 30 phút sau khi sử dụng.
- Không đặt đầu phun hướng vào bất kỳ vật gì khi đang sử dụng hoặc ngay sau khi sử dụng
- Không thọc bất cứ thứ gì vào đầu phun để tránh điện giật. Không nhìn trực tiếp vào đầu phun khi dụng cụ đang hoạt động tránh bị bỏng do nhiệt độ cao.
- Không để sơn dính vào đầu phun hoặc mũi tạo tránh đánh lửa sau một thời gian.
- Không tháo nắp chắn nhiệt trong quá trình sử dụng.
- Không sử dụng dụng cụ thời gian dài cho cùng một vị trí.
- Không sử dụng dụng cụ ở khu vực có khí cháy nổ.

Loại bỏ sơn

- Không sử dụng dụng cụ để loại bỏ sơn chứa chì. Vô, cặn, khí sơn có thể chứa chì rất độc hại.
- Những công trình xây dựng trước năm 1960 thường sử dụng sơn chứa chì làm phụ gia. Khi hợp chất này kết tủa trên bề mặt, tay và miệng người tiếp xúc, nuốt phải chì. Cho dù có ở nồng độ thấp thì chì cũng gây ảnh hưởng đến hệ thần kinh, não bộ, thậm chí con tổn thương đến cả thai nhi.
- Khi loại bỏ sơn, đảm bảo khu vực công tác được che chắn. Luôn đeo mặt nạ chống bụi.
 - Không đốt cháy sơn. Sửa dụng bộ phận tạo, giữ đầu phun cách bề mặt sơn ít nhất 25 mm. Khi tương tác theo phương dọc phải đảm bảo sơn không bị chảy vào trong dụng cụ gây cháy.
 - Loại bỏ mảnh vụn sơn an toàn, vệ sinh khu vực công tác sau khi hoàn thành công việc.

Các nội dung đóng gói

Đóng gói dụng cụ bao gồm:

- 1 Máy thổi hơi nóng
- 1 Bộ phụ kiện
- 1 Sách hướng dẫn
- Kiểm tra dụng cụ, các bộ phận, phụ kiện phát hiện hỏng hóc trong quá trình vận chuyển.
- Dành thời gian đọc hiểu hướng dẫn sử dụng trước khi vận hành dụng cụ.

Mô tả (Hình A)

Máy thổi hơi nóng DeWALT D26411/D26414 được thiết kế với mục đích tẩy sơn, hàn ống, làm cơ nhựa PVC, hàn và uốn cong nhựa, sấy khô, làm tan băng...

- 1 Công tắc bật/tắt
- 2 Lỗ thông khí
- 3 Giá
- 4a Núm xoay điều chỉnh nhiệt độ khí
- 4b Bộ chỉ nhiệt độ khí LCD
- 5 Đầu phun
- 6 Vòng treo dụng cụ
- 7 Vỏ ngăn nhiệt.

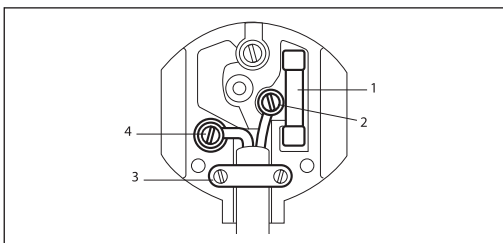
An toàn điện

Mô tơ điện đã được thiết kế sử dụng cho một loại điện áp duy nhất. Luôn luôn ghi nhớ kiểm tra nguồn cấp điện tương ứng với mức điện áp quy định trên biển thông số. Nếu dây điện bị hỏng thì phải được bộ phận kỹ thuật DeWALT thay thế tránh rủi ro.

Thay thế phích cắm chính (Chỉ áp dụng cho UK và Iceland)

- Nếu cần thay thế phích cắm chính thì bạn cần tiến hành theo các bước dưới đây. Nếu bạn không thể tự tiến hành thì hãy liên lạc với Bộ phận kỹ thuật DeWALT để được trợ giúp.
- Tháo kết nối phích cắm.
- Ngắt phích cắm và loại bỏ an toàn, phích cắm có dây dẫn bọc đồng có thể nguy hiểm nếu tiếp xúc với ổ cắm hở.

- Chỉ áp dụng 13 Amperes BS1363A cho phích cắm có cầu chì danh định (1)
- Đánh dấu màu sắc hoặc chữ cái dây điện ở vị trí kết nối đảm bảo chất lượng phích cắm. Kết nối dây dẫn vào vị trí thích hợp trên phích cắm (xem hình dưới). Màu nâu là có điện (L) (2) và Màu xanh da trời là trung tính (N) (4).
- Trước khi thay thế nắp đậy của phích cắm chính thì phải đảm bảo ngàm dây cáp (3) có lớp bọc bảo vệ và được cố định bằng vít.



Khuyến cáo sử dụng phích cắm tiêu chuẩn BS4343 đối với thiết bị 115V thì công suất danh định vượt quá 1500W

Sử dụng dây điện kéo dài

Sử dụng loại dây điện kéo dài 2 lõi thích hợp được công nhận cho đầu vào công suất của dụng cụ (tham khảo **Dữ liệu kỹ thuật**). Kích thước dây dẫn tối thiểu là 1.5mm². Khi sử dụng ống cuộn dây thì phải đảm bảo dây điện không bị quay trở lại. Đồng thời tham khảo bảng dưới đây.

Kích thước dây dẫn (mm ²)	Dây cáp danh định (Amperes)
0.75	6
1	10
1.5	15
2.5	20
4	25

Điện áp	Amperes	Chiều dài dây cáp (m)					
		7.5	15	25	30	45	60
115	-2.0	6	6	6	6	6	10
	2.1	-3.4	6	6	6	6	15
	3.5	-5.0	6	6	10	15	20
	5.1	-7.0	10	10	15	20	25
	7.1	-	15	15	20	25	25
230	12.1	-20	20	20	25	-	-
	0	-2.0	6	6	6	6	6
	2.1	-3.4	6	6	6	6	6
	3.5	-5.0	6	6	6	6	10
	5.1	-7.0	10	10	10	15	15
7.1	-	15	15	15	15	20	20
	12.1	-	20	20	20	20	25
	-	-	-	-	-	-	-

Lắp ráp và điều chỉnh

Luôn ngắt điện dụng cụ khi tiến hành lắp ráp và điều chỉnh

Cài đặt nhiệt độ không khí (Hình B1)

Có thể điều chỉnh nhiệt độ không khí như mong muốn. Xoay núm điều chỉnh nhiệt độ xuôi chiều hoặc ngược chiều kim đồng hồ để tăng hoặc giảm nhiệt độ. Áp dụng bằng nhiệt độ dưới đây để cài đặt nhiệt độ thích hợp.



Mức độ	Áp dụng
Thấp	Sấy khô sơn và vecni
	Loại bỏ chất kết dính
	Bôi sáp và loại bỏ sáp
	Sấy khô bề mặt gỗ
Trung bình	Làm cơ nhựa PVC trong cuộn và lắp đặt ống
	Làm tan băng ống
	Hàn nhựa
Cao	Uốn cong ống nhựa
	Nới lỏng nút bịt/bulông bị siết chặt
Cao	Khử sơn và sơn dầu
	Hàn liền kết đường ống

Cài đặt nhiệt độ (Hình 2) (Chỉ áp dụng cho máy seri D26414)

- Mỗi lần ấn nút 4b sẽ tăng nhiệt độ lên 10°C
- Ấn nút 4b tăng/giảm liên tục để nhiệt độ cuối cho đến khi các nút không ấn được hoặc đạt được nhiệt độ tối thiểu/tối đa.
- Sau khi đạt được nhiệt độ mong muốn, màn hình sẽ hiển thị sự tăng/giảm nhiệt độ cho đến khi đạt được nhiệt độ mong muốn.
- Có hệ thống điều chỉnh nhiệt độ “Cài đặt và bỏ qua”. Nhiệt độ cuối cùng được dụng cụ ghi nhớ. Mỗi lần bật dụng cụ thì nhiệt độ sẽ được tự động tăng đến nhiệt độ được lựa chọn gần nhất.
- Nếu bạn không chắc chắn thì hãy bắt đầu với nhiệt độ thấp, tăng dần nhiệt độ cho đến khi đạt được kết quả tối ưu.


Lắp phụ kiện

Dụng cụ có trang bị bộ phụ kiện cho các mục đích sử dụng khác nhau.

Biểu tượng	Mô tả	Mục đích
	Đầu phun	Để hàn, co ngót vật liệu (sử dụng cho khu vực gia nhiệt có diện tích nhỏ)
	Đuôi cá/ phun bề mặt	Sấy khô, làm tan băng (sử dụng cho khu vực gia nhiệt có diện tích lớn hơn)

- Đảm bảo tắt dụng cụ, làm nguội đầu phun.
- Lựa chọn phụ kiện mong muốn lắp vào đầu phun

Hướng dẫn sử dụng

-  - Luôn ghi nhớ hướng dẫn an toàn và các quy định sử dụng dụng cụ
- Chỉ sử dụng một tay để giữ dụng cụ (Hình C). Không đặt tay khác lên lỗ thông khí.

Giai đoạn vận hành:


- Lắp đúng phụ kiện.
- Cài đặt nhiệt độ mong muốn

Tắt bật dụng cụ (Hình E)

- Để bật dụng cụ, thiết lập công tắc bật/tắt với hai dòng khí. Bật dụng cụ bằng cách ấn công tắc về vị trí I
I: 240 lit/phút (50°C-400°C)
250 lit/phút (50°C-400°C) (D26414)
Một dòng khí nhẹ để gia nhiệt từ từ
II: 450 lit/phút (50°C-600°C)
500 lit/phút (50°C-600°C) (D26414)
Dòng khí mạnh để gia nhiệt nhanh.
- Để ngắt dụng cụ, thiết lập công tắc về vị trí O. Để nguội dụng cụ trước khi tháo rời hoặc đem cất.

Khử sơn

- Lắp phụ kiện thích hợp
- Cài đặt nhiệt độ khí mức cao
- Bật dụng cụ
- Hướng trực tiếp dòng khí nóng vào khu vực sơn cần loại bỏ
- Khi sơn mềm ra dùng thiết bị cạo để loại bỏ sơn.

-  - Không sử dụng để khử kim loại trên khung cửa sổ, vì kính có thể bị nứt vỡ do nhiệt nóng.
- Khi khử sơn khung cửa sổ thì phải sử dụng đầu phun bảo vệ kính.
- Không phun hơi nóng vào một bề mặt quá lâu để tránh đốt cháy bề mặt.
- Tránh để sơn rơi vào bộ phận cào vì có thể gây cháy. Nếu cần thiết phải dùng dao loại sơn cẩn thận ra khỏi bộ phận cào sơn

Sử dụng ổn định

Dụng cụ này có thể sử dụng ở trạng thái ổn định.

- Mở giá, gập phụ trợ 3.
- Đặt dụng cụ vào trong bàn máy
- Đảm bảo dụng cụ không bị tuột khỏi bàn máy
- Bật dụng cụ cẩn thận.



- Đảm bảo đầu phun luôn ở vị trí cách xa người sử dụng.
- Đảm bảo không có vật lạ rơi vào đầu phun.

Kiểm soát nhiệt độ cố định (Chống quá tải)

Đảm bảo gia nhiệt phù hợp công tránh hư hại khi dụng cụ quá tải mà không cần dừng/làm mát dụng cụ.

- Khi nhiệt độ quá cao thì tắt gia nhiệt trong khi động cơ vẫn tiếp tục hoạt động, sản sinh khí mát.
- Khi nhiệt độ giảm đủ đến nhiệt độ hoạt động thì quá trình gia nhiệt sẽ tự động được kích hoạt.

Vòng treo dụng cụ (Hình A1-6, A2-6)

- Để cất giữ dụng cụ dễ dàng



Khuyến cáo làm mát dụng cụ ít nhất 30 phút trước khi cất giữ

Làm mát

Đầu phun và phụ kiện rất nóng trong suốt quá trình sử dụng. Cần phải làm mát trước khi tháo rời, cất giữ.

- Để giảm thời gian làm mát, bật dụng cụ ở mức nhiệt độ thấp nhất và để dụng cụ chạy trong vài phút.
- Tắt dụng cụ và để dụng cụ nguội dần trong ít nhất 30 phút.

Để có thêm thông tin về bộ phụ kiện hãy tham khảo tư vấn nhà cung cấp.

Bảo dưỡng

Dụng cụ điện cầm tay DeWALT được thiết kế sử dụng trong thời gian dài mà ít phải bảo dưỡng. Giữ gìn dụng cụ đúng cách, vệ sinh thường xuyên để đảm bảo tuổi thọ dụng cụ.



Bôi trơn

Dụng cụ điện cầm tay không yêu cầu bôi trơn bổ sung.



Vệ sinh

Giữ vệ sinh lỗ thông hơi, thường xuyên vệ sinh bằng vải mềm.



Thải loại và bảo vệ môi trường

Gửi dụng cụ không sử dụng của bạn đến bộ phận sửa chữa DeWALT để đảm bảo vấn đề an toàn môi trường.

