

---

# **DEWALT®**

---

**D25721**

**D25722**

**D25723**

**D25761**

**D25762**

**D25763**

**D25871**

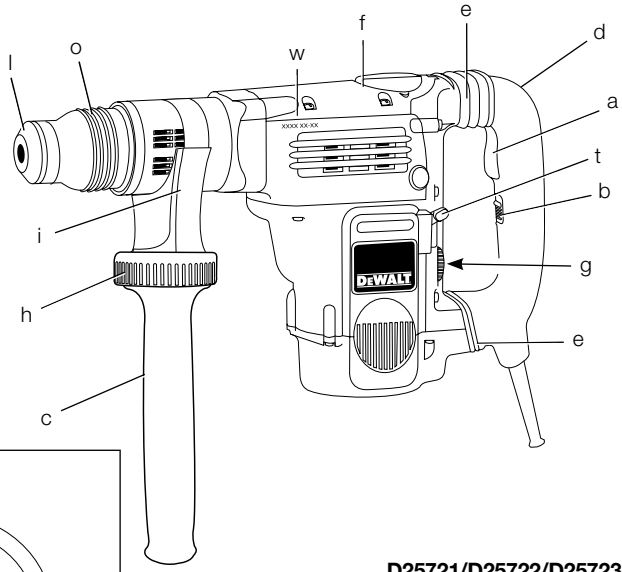
**[www.DEWALT.com](http://www.DEWALT.com)**

---

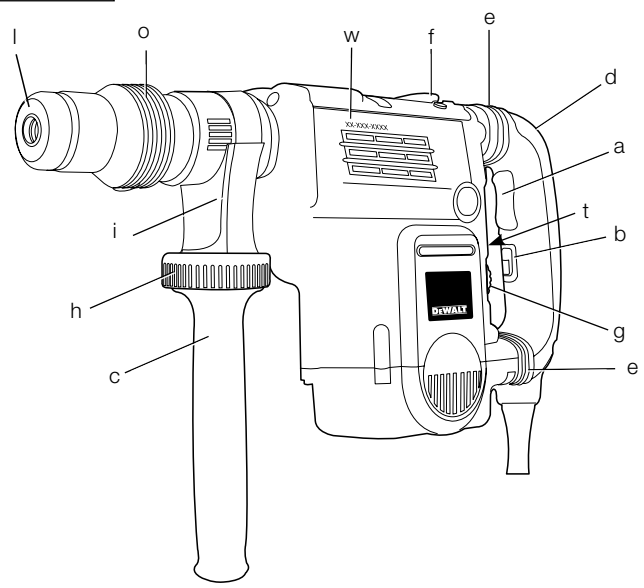
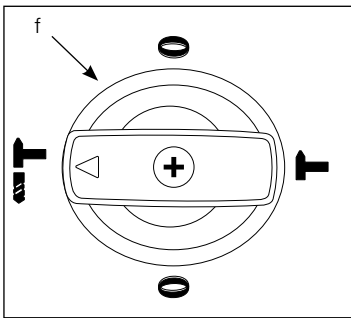
<b>English (<i>original instructions</i>)</b>	<b>5</b>
简体中文	14
繁體中文	23
한국어	32
ภาษาไทย	41

---

Figure 1A



**D25721/D25722/D25723**



**D25761/D25762/D25763**

Figure 1B

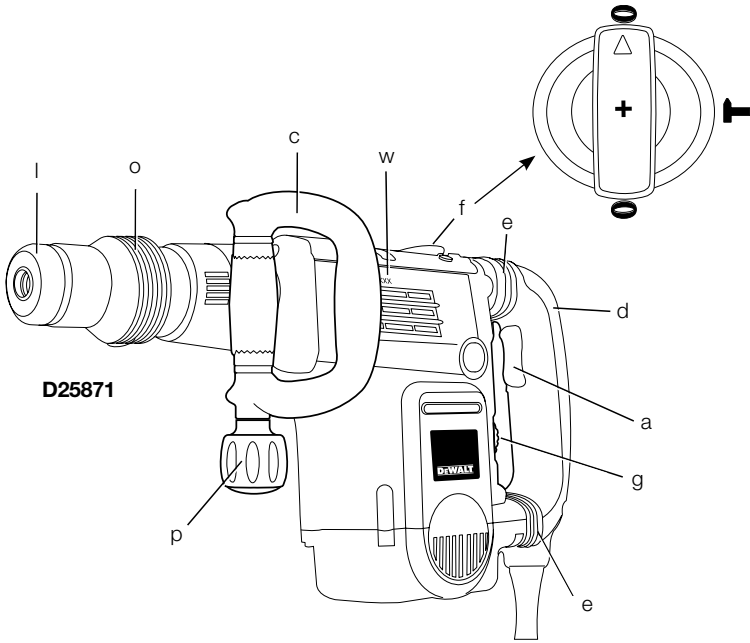


Figure 2A

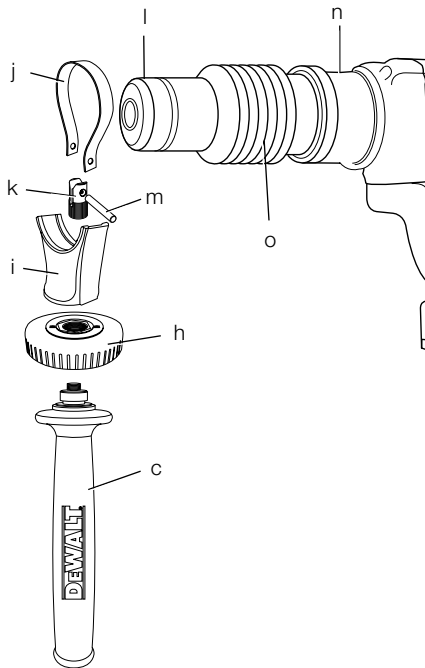


Figure 2B

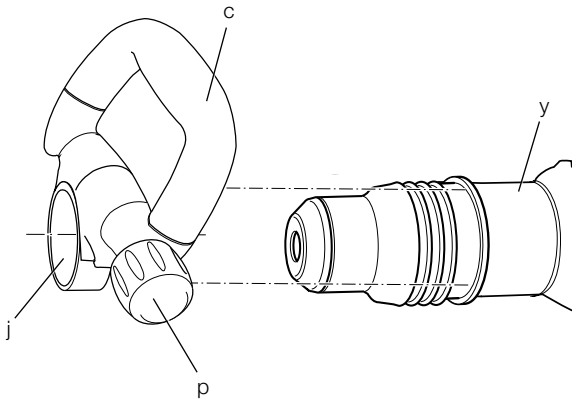


Figure 3

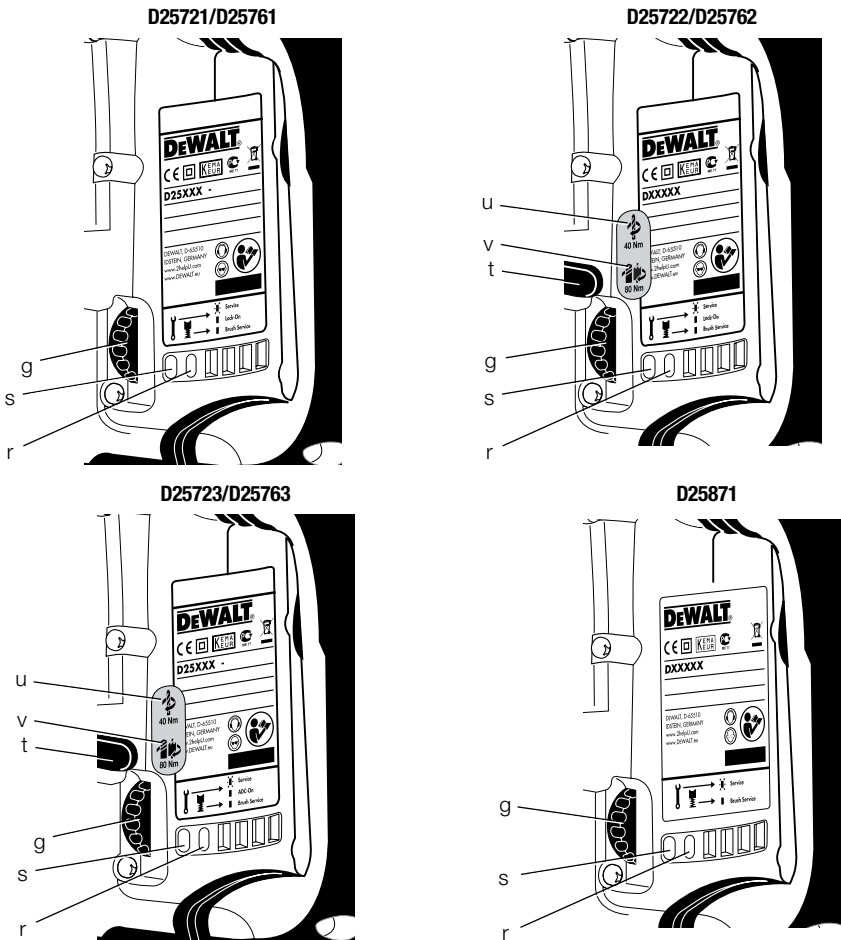


Figure 4A

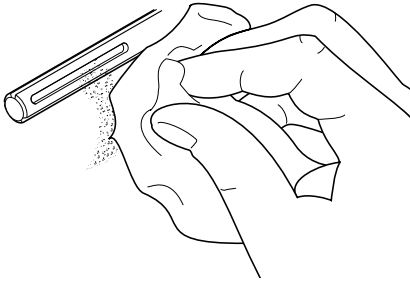


Figure 4B

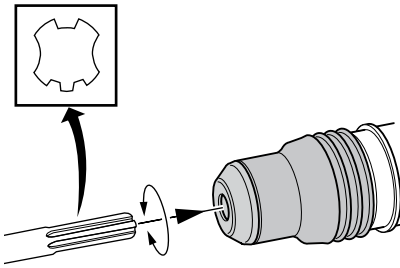


Figure 5

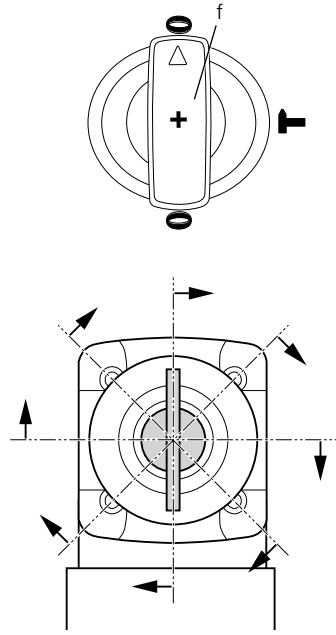
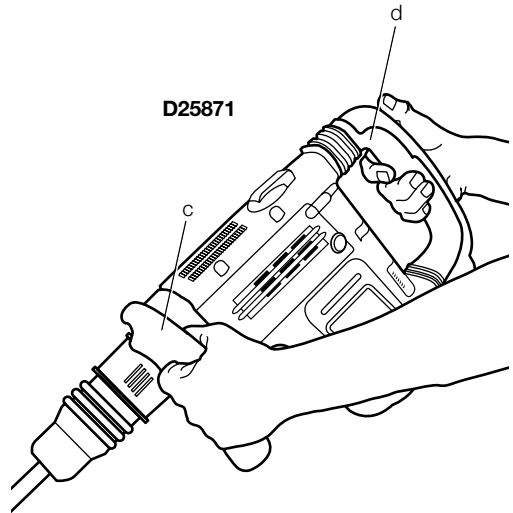
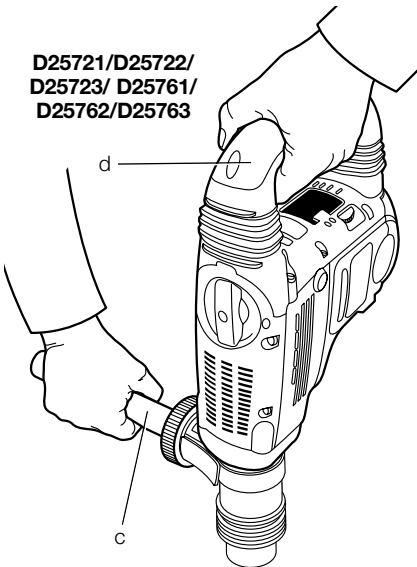


Figure 6



# SDS MAX® COMBINATION & CHIPPING HAMMERS

## D25721, D25722, D25723, D25761, D25762, D25763, D25871

### Congratulations!

You have chosen a DEWALT tool. Years of experience, thorough product development and innovation make DEWALT one of the most reliable partners for professional power tool users.

### Technical Data

		D25721	D25722	D25723	D25761	D25762	D25763	D25871
Voltage	V	220-240	220-240	220-240	220-240	220-240	220-240	220-240
Type		1	1	1	1	1	1	1
Power input	W	1350	1400	1400	1500	1500	1500	1400
Impact energy	J	1.5–15	1.5–15	1.5–15	3–18	3–18	3–18	1.5–15
Total drilling range in concrete:								
solid bits	mm	12–48	12–48	12–48	18-52	18-52	18-52	–
core bits	mm	40–115	40–125	40–125	40–150	40–150	40–150	–
Optimum drilling range in concrete:								
solid bits	mm	25–40	25–45	25–45	28–48	28–48	28-48	–
Chisel positions		24	24	24	24	24	24	24
Tool holder		SDS Max®	SDS Max®	SDS Max®	SDS Max®	SDS Max®	SDS Max®	SDS Max®
Weight	kg	8.7	9.1	9.1	9.9	9.9	9.9	8.0

### Definitions: Safety Guidelines

The definitions below describe the level of severity for each signal word. Please read the manual and pay attention to these symbols.



**DANGER:** Indicates an imminently hazardous situation which, if not avoided, **will result in death or serious injury.**



**WARNING:** Indicates a potentially hazardous situation which, if not avoided, **could result in death or serious injury.**



**CAUTION:** Indicates a potentially hazardous situation which, if not avoided, **may result in minor or moderate injury.**

**NOTICE:** Indicates a practice **not related to personal injury** which, if not avoided, **may result in property damage.**



Denotes risk of electric shock.



Denotes risk of fire.



**WARNING:** To reduce the risk of injury, read the instruction manual.

### General Power Tool Safety Warnings



**WARNING! Read all safety warnings and instructions.** Failure to follow the warnings and instructions may result in electric shock, fire and/or serious injury.

#### SAVE ALL WARNINGS AND INSTRUCTIONS FOR FUTURE REFERENCE

The term "power tool" in the warnings refers to your mains-operated (corded) power tool or battery-operated (cordless) power tool.

**1) WORK AREA SAFETY**

- a) **Keep work area clean and well lit.** Cluttered or dark areas invite accidents.
- b) **Do not operate power tools in explosive atmospheres, such as in the presence of flammable liquids, gases or dust.** Power tools create sparks which may ignite the dust or fumes.
- c) **Keep children and bystanders away while operating a power tool.** Distractions can cause you to lose control.

**2) ELECTRICAL SAFETY**

- a) **Power tool plugs must match the outlet. Never modify the plug in any way. Do not use any adapter plugs with earthed (grounded) power tools.** Unmodified plugs and matching outlets will reduce risk of electric shock.
- b) **Avoid body contact with earthed or grounded surfaces such as pipes, radiators, ranges and refrigerators.** There is an increased risk of electric shock if your body is earthed or grounded.
- c) **Do not expose power tools to rain or wet conditions.** Water entering a power tool will increase the risk of electric shock.
- d) **Do not abuse the cord. Never use the cord for carrying, pulling or unplugging the power tool. Keep cord away from heat, oil, sharp edges or moving parts.** Damaged or entangled cords increase the risk of electric shock.
- e) **When operating a power tool outdoors, use an extension cord suitable for outdoor use.** Use of a cord suitable for outdoor use reduces the risk of electric shock.
- f) **If operating a power tool in a damp location is unavoidable, use a residual current device (RCD) protected supply.** Use of an RCD reduces the risk of electric shock.

**3) PERSONAL SAFETY**

- a) **Stay alert, watch what you are doing and use common sense when operating a power tool. Do not use a power tool while you are tired or under the influence of drugs, alcohol or medication.** A moment of inattention while operating power tools may result in serious personal injury.

- b) **Use personal protective equipment. Always wear eye protection.** Protective equipment such as dust mask, non-skid safety shoes, hard hat, or hearing protection used for appropriate conditions will reduce personal injuries.
- c) **Prevent unintentional starting. Ensure the switch is in the off position before connecting to power source and/or battery pack, picking up or carrying the tool.** Carrying power tools with your finger on the switch or energising power tools that have the switch on invites accidents.
- d) **Remove any adjusting key or wrench before turning the power tool on.** A wrench or a key left attached to a rotating part of the power tool may result in personal injury.
- e) **Do not overreach. Keep proper footing and balance at all times.** This enables better control of the power tool in unexpected situations.
- f) **Dress properly. Do not wear loose clothing or jewellery. Keep your hair, clothing and gloves away from moving parts.** Loose clothes, jewellery or long hair can be caught in moving parts.
- g) **If devices are provided for the connection of dust extraction and collection facilities, ensure these are connected and properly used.** Use of dust collection can reduce dust-related hazards.

**4) POWER TOOL USE AND CARE**

- a) **Do not force the power tool. Use the correct power tool for your application.** The correct power tool will do the job better and safer at the rate for which it was designed.
- b) **Do not use the power tool if the switch does not turn it on and off.** Any power tool that cannot be controlled with the switch is dangerous and must be repaired.
- c) **Disconnect the plug from the power source and/or the battery pack from the power tool before making any adjustments, changing accessories, or storing power tools.** Such preventive safety measures reduce the risk of starting the power tool accidentally.
- d) **Store idle power tools out of the reach of children and do not allow persons unfamiliar with the power tool or these instructions to operate the power tool.** Power tools are dangerous in the hands of untrained users.



- e) **Maintain power tools. Check for misalignment or binding of moving parts, breakage of parts and any other condition that may affect the power tool's operation. If damaged, have the power tool repaired before use.** Many accidents are caused by poorly maintained power tools.
- f) **Keep cutting tools sharp and clean.** Properly maintained cutting tools with sharp cutting edges are less likely to bind and are easier to control.
- g) **Use the power tool, accessories and tool bits etc., in accordance with these instructions taking into account the working conditions and the work to be performed.** Use of the power tool for operations different from those intended could result in a hazardous situation.

## 5) SERVICE

- a) **Have your power tool serviced by a qualified repair person using only identical replacement parts.** This will ensure that the safety of the power tool is maintained.

## Additional Safety Instructions for Rotary Hammers

- **Wear ear protectors.** Exposure to noise can cause hearing loss.
- **Use auxiliary handle(s), if supplied with the tool.** Loss of control can cause personal injury.
- **Hold power tool by insulated gripping surfaces, when performing an operation where the cutting accessory may contact hidden wiring or its own cord.** Cutting accessory contacting a "live" wire may make exposed metal parts of the power tool "live" and could give the operator an electric shock.

## Residual Risks

The following risks are inherent to the use of rotary and chipping hammers:

- Injuries caused by touching the rotating parts or hot parts of the tool

In spite of the application of the relevant safety regulations and the implementation of safety devices, certain residual risks cannot be avoided. These are:

- Impairment of hearing.
- Risk of squeezing fingers when changing the accessory.
- Health hazards caused by breathing dust developed when working in concrete and/or masonry.

## Markings on Tool

The following pictograms are shown on the tool:



Read instruction manual before use.



Wear ear protection.



Wear eye protection.



Clutch Setting 40 Nm is designed for most drilling applications.



Clutch Setting 80 Nm is designed for higher torque applications.



Red service indicator LED. For detailed description see under **Service Indicator LED's**.



Yellow service indicator LED. For detailed description see under **Service Indicator LED's**.

## DATE CODE POSITION (FIG. 1)

The Date Code (w), which also includes the year of manufacture, is printed into the housing.

Example:

2013 XX XX

Year of Manufacture

## Package Contents

The package contains:

- 1 Rotary hammer (D25721, D25722, D25723, D25761, D25762, D25763)

or

- 1 Chipping Hammer (D25871)
- 1 Side handle
- 1 Kitbox (K-models only)
- 1 Pointed chisel (only D25871)
- 1 Instruction manual

- Check for damage to the tool, parts or accessories which may have occurred during transport.
- Take the time to thoroughly read and

understand this manual prior to operation.

## Description (fig. 1A, 1B, 2A, 2B)



**WARNING:** Never modify the power tool or any part of it. Damage or personal injury could result.

- a. Trigger switch (D25721, D25722, D25723, D25761, D25762, D25763)  
On/off rocker switch (D25871)
- b. Lock-on slider (D25721, D25722, D25723, D25761, D25762, D25763)
- c. Side handle
- d. Main handle
- e. Active vibration control
- f. Mode selector switch
- g. Electronic speed and impact control dial
- h. Clamp wheel
  - i. Side handle clamp
  - j. Steel ring
- k. Bush
- l. Tool holder
- m. Pin
- n. Collar
- o. Locking sleeve
- p. Side handle knob

### INTENDED USE

#### D25721, D25722, D25723, D25761, D25762, D25763

Your rotary hammer has been designed for professional rotary drilling and chipping applications.

#### D25871

Your chipping hammer has been designed for professional chipping, chiselling and demolition applications.

**DO NOT** use under wet conditions or in presence of flammable liquids or gases.

These hammers are professional power tools.

**DO NOT** let children come into contact with the tool. Supervision is required when inexperienced operators use this tool.

- This product is not intended for use by persons (including children) suffering from diminished physical, sensory or mental abilities; lack of experience, knowledge or skills unless they are supervised by a person responsible for their safety. Children should never be left alone with this product.

## Soft Start Feature

### D25722, D25723, D25761, D25762, D25763

The soft start feature allows the tool to accelerate slowly, thus preventing the drill bit from walking off the intended hole position when starting.

The soft start feature also reduces the immediate torque reaction transmitted to the gearing and the operator if the hammer is started with the drill bit in an existing hole.

## Electronic Speed and Impact Control (fig. 1, 3)

The electronic speed and impact control (g) offers the following advantages:

- use of smaller accessories without risk of breakage;
- minimised break-out when chiselling or drilling in soft or brittle materials;
- optimal tool control for precise chiselling.

## Torque Limiting Clutch



**WARNING:** The user must always maintain a firm grip on the tool when in operation.

The torque limiting clutch reduces the maximum torque reaction transmitted to the operator in case of jamming of a drill bit. This feature also prevents the gearing and electric motor from stalling.

**NOTICE:** Always turn the tool off before changing torque control settings or damage to tool may result.

### COMPLETE TORQUE CONTROL (CTC) (FIG. 3) D25722/D25761/D25762

Complete Torque Control (CTC) offers the user a two-stage mechanical clutch with adjustable torque options. Adjusting the torque provides increased control for various applications.

The low setting (40 Nm) allows the tool to operate at a reduced torque level increasing control for many solid drilling applications. The high setting (80 Nm) is available for more demanding applications such as core drilling and the use of large diameter solid bits.

Refer to **Setting the Two Stage Mechanical Clutch** for more information.

## ULTIMATE TORQUE CONTROL (UTC)

### D25723/D25763

In addition to the two-stage mechanical clutch, Ultimate Torque Control (UTC) offers increased user comfort and safety through an on-board, anti-rotation technology capable of detecting if the user loses control of the hammer. When a jam is detected, the torque and speed are reduced instantly. This feature prevents self rotation of the tool reducing the occurrence of wrist injuries.

## Service Indicator LEDs (fig. 3)

The yellow brushwear indicator LED (s) lights up when the carbon brushes are nearly worn out to indicate that the tool needs servicing within the next 8 hours of use.

### D25721, D25722, D25723, D25761, DD25762, D25763

The red service indicator LED (r) lights up if the lock-on button (b) is used in any mode except the chipping mode. On models fitted with Ultimate Torque Control (UTC), the red LED indicator (r) lights up if the anti-rotational device is activated. The red indicator starts to flash if there is a fault with the tool or the brushes have completely worn out (refer to **Brushes** under **Maintenance**).

### D25871

The red service indicator LED (r) lights up if there is a fault with the tool or the brushes have completely worn out (refer to **Brushes** under **Maintenance**).

## Fully Vibration-dampened Main Handle (fig. 1)

The dampers in the main handle (d) absorb the vibrations transmitted to the user. This improves user comfort during the operation.

## Electrical Safety

The electric motor has been designed for one voltage only. Always check that the power supply corresponds to the voltage on the rating plate.



Your DEWALT tool is double insulated in accordance with IEC 60745; therefore no earth wire is required.



**WARNING:** 115 V units have to be operated via a fail-safe isolating transformer with an earth screen between the primary and secondary winding.

If the supply cord is damaged, it must be replaced by a specially prepared cord available through the DEWALT service organisation.

## Using an Extension Cable

If an extension cable is required, use an approved 3-core extension cable suitable for the power input of this tool (see technical data). The minimum conductor size is 1.5 mm<sup>2</sup>; the maximum length is 30 m.

When using a cable reel, always unwind the cable completely.

## ASSEMBLY AND ADJUSTMENTS



**WARNING:** To reduce the risk of injury, turn unit off and disconnect machine from power source before installing and removing accessories, before adjusting or changing set-ups or when making repairs. Be sure the trigger switch is in the OFF position. An accidental start-up can cause injury.



**WARNING:** Tool bits may be hot and gloves should be worn when changing or removing them to avoid personal injury.

## Assembling and Fitting the Side Handle (fig. 2A, 2B)

The side handle (c) can be mounted on either side of the machine to suit both right- and left-handed users.



**WARNING:** Always operate the tool with the side handle properly assembled.

### D25721, D25722, D25723, D25761, D25762, D25763

#### MOUNTING IN FRONT POSITION (FIG. 2A)

1. Snap the steel ring (j) over the collar (n) behind the tool holder (l). Squeeze both ends together, mount the bush (k) and insert the pin (m).
2. Place the side handle clamp (i) and screw on the clamp wheel (h). Do not tighten.



**WARNING:** Once assembled, the side handle clamp should never be removed.

3. Screw the side handle (c) into the bush (k) and then into clamp wheel. Tighten securely.
4. Rotate the side handle mounting assembly to the desired position. For drilling horizontally with a heavy drill bit, we recommend to place the side handle at an angle of approximately 20° for optimum control.
5. Lock the side handle mounting assembly in place by tightening the clamp wheel (h).

**D25871 (FIG. 2B)**

1. Unscrew the side handle knob (p).
2. Slide the side handle assembly onto the machine locating the steel ring (j) in the mounting area (y). The correct position of the side handle is between head and middle of the tube.
3. Adjust the side handle (c) to the desired angle.
4. Slide and rotate the side handle to the desired position.
5. Lock the side handle in place by tightening the knob (p).

**Inserting and Removing SDS Max® Accessories (fig. 1, 4A, 4B)**

This machine uses SDS Max® bits and chisels (refer to the inset in figure 4B for a cross-section of an SDS Max® bit shank).

1. Clean the bit shank.
2. Pull back the locking sleeve (o) and insert the bit shank.
3. Turn the bit slightly until the sleeve snaps into position.
4. Pull on the bit to check if it is properly locked. The hammering function requires the bit to be able to move axially several centimetres when locked in the tool holder.
5. To remove a bit pull back the tool holder locking sleeve/collar (o) and pull the bit out of the tool holder (l).

**Selecting the Operating Mode (fig. 1)**

**T Hammerdrilling:**  
**D25721, D25722, D25723, D25761, D25762, D25763**  
 for concrete, brick, stone and masonry drilling operations.

**T Hammering only:**  
 for chiselling and demolition applications. In this mode the tool can also be used as a lever to free a jammed drill bit.

1. To select the operating mode, rotate the mode selector switch (f) until it points to the symbol of the required mode.

It may be necessary to twist the tool holder (l) slightly to allow the mode selector switch (f) to pass the **O** position.

2. Check that the mode selector switch (f) is locked in place.

**Indexing the Chisel Position (fig. 5)**

The chisel can be indexed and locked into 24 different positions.

1. Rotate the mode selector switch (f) until it points towards the **O** position.
2. Rotate the chisel in the desired position.
3. Set the mode selector switch (f) to the “hammering only” position.
4. Twist the chisel until it locks in position.

**Setting the Electronic Speed and Impact Control Dial (fig. 1, 3)**

Turn the dial (g) to the desired level. Turn the dial upwards for higher speed and downwards for lower speed. The required setting is a matter of experience, e.g.

- when chiselling or drilling in soft, brittle materials or when minimum break-out is required, set the dial to a low setting;
- when breaking or drilling in harder materials, set the dial to a high setting.

**Setting the Two Stage Mechanical Clutch (fig. 3)**

**D25722, D25723, D25761, D25762, D25763**

**NOTICE:** Always turn the tool off before changing torque control settings or damage to the tool may result.

Move the torque control lever (t) to setting 40 Nm or 80 Nm as needed for application.

- Clutch Setting 40 Nm (u) is designed for most drilling applications and is designed to easily clutch out when the drill bit encounters re-bar or other foreign substances.
- Clutch Setting 80 Nm (v) is designed for higher torque applications such as core-bits and deep hole drilling and is designed to clutch out at a higher torque threshold.

**NOTE:** If it is not possible to select position 80 Nm run the unit under load and try again.

Each time the tool is plugged in, it will automatically default to clutch setting 1 into clutch setting 40 Nm (u), the most sensitive setting.

## OPERATION

### Instructions for Use



**WARNING:** Always observe the safety instructions and applicable regulations.



**WARNING:** To reduce the risk of injury, turn unit off and disconnect machine from power source before installing and removing accessories, before adjusting or changing set-ups or when making repairs. Be sure the trigger switch is in the OFF position. An accidental start-up can cause injury.



**WARNING:** Tool bits may be hot and gloves should be worn when changing or removing them to avoid personal injury.



**WARNING:**

- Be aware of the location of pipework and wiring.
- Apply only a gentle pressure to the tool (approximately 20 kg). Excessive force does not speed up drilling but decreases tool performance and may shorten tool life.
- Always hold the tool firmly with both hands and ensure a secure stance. Always operate the tool with the side handle properly assembled.

**NOTE:** Operating temperature is  $-7^{\circ}$  to  $+40^{\circ}$  C ( $19^{\circ}$  to  $104^{\circ}$  F). Using the tool outside of this temperature range will decrease the life of the tool.

### Proper Hand Position (fig. 6)



**WARNING:** To reduce the risk of serious personal injury, **ALWAYS** use proper hand position as shown.



**WARNING:** To reduce the risk of serious personal injury, **ALWAYS** hold securely in anticipation of a sudden reaction.

Proper hand position requires one hand on the side handle (c), with the other hand on the main handle (d).

### Switching On and Off (fig. 1)

**D25721, D25722, D25723, D25761, D25762, D25763**

To turn the tool on, depress the trigger switch (a).

To stop the tool, release the trigger switch.

**D25721, D25722, D25723, D25761, D25762, D25763**

The lock-on slider (b) allows the trigger switch (a) to be locked on in chiselling mode only. If the lock-on button is activated in drilling mode, as a feature the tool will switch off automatically.

To turn the tool on, press the trigger switch (a).

To stop the tool, release the switch.

For continuous operation, press and hold down the switch (a), slide the lock-on button (b) upwards and release the switch.

To stop the tool in continuous operation, press the switch briefly and release it. Always switch off the tool when work is finished and before unplugging.

**D25871**

To turn the tool on, press the on/off rocker switch (a) at the lower part of the trigger.

To stop the tool, press the on/ off rocker switch at the upper part of the trigger.

### Hammerdrilling

To turn the tool on, press the on/off switch (a).

To stop the tool, release the switch.

### Drilling with a Solid Bit (fig. 1)

**D25721, D25722, D25723, D25761, D25762, D25763**

1. Insert the appropriate drill bit.
2. Set the mode selector switch (f) to the hammerdrilling position.
3. Set the electronic speed and impact control dial (g).
4. Fit and adjust the side handle (c).
5. Mark the spot where the hole is to be drilled.
6. Place the drill bit on the spot and switch on the tool.
7. Always switch off the tool when work is finished and before unplugging.

### Drilling with a Core Bit (fig. 1)

1. Insert the appropriate core bit.
2. Assemble the centerdrill into the core bit.
3. Set the mode selector switch (f) to the hammerdrilling position.
4. Turn the electronic speed and impact control dial (g) to a medium or high speed setting.
5. Fit and adjust the side handle (c).

6. Place the centerdrill on the spot and switch on the tool. Drill until the core penetrates into the concrete approximately 1 cm.
7. Stop the tool and remove the centerdrill. Place the core bit back into the hole and continue drilling.
8. When drilling through a structure thicker than the depth of the core bit, break away the round cylinder of concrete or core inside the bit at regular intervals.

To avoid unwanted breaking away of concrete around the hole, first drill a hole the diameter of the centerdrill completely through the structure. Then drill the cored hole halfway from each side.

9. Always turn the tool off when work is finished and before unplugging.

### Chipping and Chiselling (fig. 1)

1. Insert the appropriate chisel and rotate it by hand to lock it into one of 24 positions.
2. Set the mode selector switch (f) to the hammering only position.
3. Set the electronic speed and impact control dial (g).
4. Fit and adjust the side handle (c).
5. Turn the tool on and start working.
6. Always turn the tool off when work is finished and before unplugging.

### MAINTENANCE

Your DEWALT power tool has been designed to operate over a long period of time with a minimum of maintenance. Continuous satisfactory operation depends upon proper tool care and regular cleaning.



**WARNING:** To reduce the risk of injury, turn unit off and disconnect machine from power source before installing and removing accessories, before adjusting or changing set-ups or when making repairs. Be sure the trigger switch is in the OFF position. An accidental start-up can cause injury.

This machine is not user-serviceable. Take the tool to an authorised DEWALT repair agent after approximately 150 hours of use. If problems occur before this time, contact an authorised DEWALT repair agent.

### Brushes (fig. 3)

The carbon brushes are not user-serviceable. Take the tool to an authorized DEWALT repair agent.

The yellow brushwear indicator LED (s) lights up when the carbon brushes are nearly worn out. After a further 8 hours of use or after the brushes have completely worn out, the motor will automatically be shut off.

Tool maintenance needs to be carried out as soon as the service indicator (r) lights up.



### Lubrication

Your power tool requires no additional lubrication.



### Cleaning



**WARNING:** Blow dirt and dust out of the main housing with dry air as often as dirt is seen collecting in and around the air vents. Wear approved eye protection and approved dust mask when performing this procedure.



**WARNING:** Never use solvents or other harsh chemicals for cleaning the non-metallic parts of the tool. These chemicals may weaken the materials used in these parts. Use a cloth dampened only with water and mild soap. Never let any liquid get inside the tool; never immerse any part of the tool into a liquid.

### Optional Accessories



**WARNING:** Since accessories, other than those offered by DEWALT, have not been tested with this product, use of such accessories with this tool could be hazardous. To reduce the risk of injury, only DEWALT, recommended accessories should be used with this product.

Various types of SDS Max® drill bits and chisels are available as an option.

Consult your dealer for further information on the appropriate accessories.

## Protecting the Environment



Separate collection. This product must not be disposed of with normal household waste.

Should you find one day that your DEWALT product needs replacement, or if it is of no further use to you, do not dispose of it with household waste. Make this product available for separate collection.



Separate collection of used products and packaging allows materials to be recycled and used again. Re-use of recycled materials helps prevent environmental pollution and reduces the demand for raw materials.

Local regulations may provide for separate collection of electrical products from the household, at municipal waste sites or by the retailer when you purchase a new product.

DEWALT provides a facility for the collection and recycling of DEWALT products once they have reached the end of their working life. To take advantage of this service please return your product to any authorised repair agent who will collect them on our behalf.

You can check the location of your nearest authorised repair agent by contacting your local DEWALT office at the address indicated in this manual. Alternatively, a list of authorised DEWALT repair agents and full details of our after-sales service and contacts are available on the Internet at:

**[www.2helpU.com](http://www.2helpU.com)**.

# SDS MAX® 组合电镐

## D25721、D25722、D25723、D25761、D25762、D25763 和 D25871

### 祝贺您！

感谢您选购 DEWALT 工具。凭借多年的产品开发和创新能力，DEWALT 已经成为专业电动工具用户最可靠的合作伙伴之一。

### 技术参数

		D25721	D25722	D25723	D25761	D25762	D25763	D25871
电压	伏	220	220	220	220	220	220	220
类型		1	1	1	1	1	1	1
输入功率	瓦	1350	1400	1400	1500	1500	1500	1400
冲击能量	焦	1.5-15	1.5-15	1.5-15	3-18	3-18	3-18	1.5-15
混凝土中的最大钻深:								
实心钻头	毫米	12-48	12-48	12-48	18-52	18-52	18-52	-
空心钻头	毫米	40-115	40-125	40-125	40-150	40-150	40-150	-
混凝土中的最佳钻深:								
实心钻头	毫米	25-40	25-45	25-45	28-48	28-48	28-48	-
凿子位置		24	24	24	24	24	24	24
工具夹持器		SDS Max®	SDS Max®	SDS Max®	SDS Max®	SDS Max®	SDS Max®	SDS Max®
重量	千克	8.7	9.1	9.1	9.9	9.9	9.9	8.0

### 定义：安全守则

下列定义描述了各标志术语的严重程度。请仔细阅读本手册，并注意这些标志。



**危险：**表示紧急危险情况，如果不加以避免，**将导致死亡或严重伤害。**



**警告：**表示存在潜在的危险情况，如果不加以避免，**可能导致死亡或严重伤害。**



**警示：**表示存在潜在危险情况，如果不加以避免，**可能导致轻度或中度伤害。**

**注意：**表示**存在不涉及人身伤害的情况**，如果不加以避免，**可能导致财产损失。**



表示存在触电风险。



表示存在火灾风险。



**警告：**为降低伤害风险，请阅读使用手册。

### 电动工具通用安全警告



**警告！阅读所有警告和所有说明。**不遵照以下警告和说明会导致电击、着火和 / 或严重伤害。

**保存所有警告和说明书以备查阅。**

在所有下列的警告中术语“电动工具”指市电驱动（有线）电动工具或电池驱动（无线）电动工具。

#### a) 工作场地的安全

- 1) **保持工作场地清洁和明亮。**混乱和黑暗的场地会引发事故。



- 2) 不要在易爆环境，如有易燃液体、气体或粉尘的环境下操作电动工具。电动工具产生的火花会点燃粉尘或气体。
- 3) 让儿童和旁观者离开后操作电动工具。注意力不集中会使你失去对工具的控制。
- 4) 在电动工具接通之前，拿掉所有调节钥匙或扳手。遗留在电动工具旋转零件上的扳手或钥匙会导致人身伤害。
- 5) 遗留在电动工具旋转零件上的扳手或钥匙会导致人身伤害。这样在意外情况下能很好地控制电动工具。

#### b) 电气安全

- 1) 电动工具插头必须与插座相配。绝不能以任何方式改装插头。需接地的电动工具不能使用任何转换插头。未经改装的插头和相配的插座将减少电击危险。
- 2) 避免人体接触接地表面，如管道、散热片和冰箱。如果你身体接地会增加电击危险。
- 3) 不得将电动工具暴露在雨中或潮湿环境中。水进入电动工具将增加电击危险。
- 4) 不得滥用电线。绝不能用电线搬运、拉动电动工具或拔出其插头。使电线远离热源、油、锐边或运动部件。受损或缠绕的软线会增加电击危险。
- 5) 当在户外使用电动工具时，使用适合户外使用的外接软线。适合户外使用的软线将减少电击危险。
- 6) 如果在潮湿环境下操作电动工具是不可避免的，应使用剩余电流动作保护器（RCD）。使用 RCD 可减小电击危险。
- 6) 着装适当。不要穿宽松衣服或佩戴饰品。让你的衣服、手套和头发远离运动部件。宽松衣服、配饰或长发可能会卷入运动部件中。
- 7) 如果提供了与排屑、集尘设备连接用的装置，要确保他们连接完好且使用得当。使用这些装置可减少尘屑引起的危险。

#### d) 电动工具使用和注意事项

- 1) 不要滥用电动工具，根据用途使用适当的电动工具。选用适当设计的电动工具会使你工作更有效、更安全。
- 2) 如果开关不能接通或关断工具电源，则不能使用该电动工具。不能用开关来控制的电动工具是危险的且必须进行修理。
- 3) 在进行任何调节、更换附件或贮存电动工具之前，必须从电源上拔掉插头和 / 或使电池盒与工具脱开。这种防护性措施将减少工具意外起动的危险。
- 4) 将闲置不用的电动工具贮存在儿童所及范围之外，并且不要让不熟悉电动工具或对这些说明不了解的人操作电动工具。电动工具在未经培训的用户手中是危险的。
- 5) 保养电动工具。检查运动件是否调整到位或卡住，检查零件破损情况和影响电动工具运行的其他状况。如有损坏，电动工具应在使用前修理好。许多事故由维护不良的电动工具引发。
- 6) 保持切削刀具锋利和清洁。保养良好的有锋利切削刃的刀具不易卡住而且容易控制。
- 7) 按照使用说明书，考虑作业条件和进行的作业来使用电动工具、附件和工具的刀头等。将电动工具用于那些与其用途不符的操作可能会导致危险。

#### C) 人身安全

- 1) 保持警觉，当操作电动工具时关注所从事的操作并保持清醒。当你感到疲倦，或在有药物、酒精或治疗反应时，不要操作电动工具。在操作电动工具时瞬间的疏忽会导致严重人身伤害。
- 2) 使用个人防护装置。始终佩戴护目镜。安全装置，诸如适当条件下使用防尘面具、防滑安全鞋、安全帽、听力防护等装置能减少人身伤害。
- 3) 防止意外起动。确保开关在连接电源和/或电池盒、拿起或搬运工具时处于关断位置。手指放在已接通电源的开关上或开关处于接通时插入插头可能会导致危险。

### e) 维修

- 1) 将你的电动工具送交专业维修人员，使用同样的备件进行修理。这将保证所维修的电动工具的安全。

## 电锤的附加安全守则

- 请佩戴听力保护器。噪音会损伤听力。
- 使用工具随附的辅助手柄（如有）。操作失控会引起人身伤害。
- 在切削附件可能触及暗线或其自身软线之处进行操作时，要通过绝缘握持面来握持工具。切削附件碰到带电导线会使工具外露的金属零件带电从而使操作者受到电击。

## 剩余风险

使用电锤和电镐时具有下列固有危险：

- 碰触工具的旋转部件或发热部件会导致人身伤害

尽管遵守了相关的安全法规并采用了安全装备，某些剩余风险仍然是无法避免的。这些风险包括：

- 听力损伤。
- 更换附件时夹到手指的风险。
- 在混凝土和/或砖石环境中工作时，吸入粉尘导致的健康危害。

## 工具上的标识

工具上印有下列图形：



使用前请参阅说明手册。



请佩戴听力保护器。



请佩戴护目装备。



40 Nm

40 牛米的离合器设置适用于大部分钻孔应用。



80 Nm

80 牛米的离合器设置适用于需要较高扭矩的应用。



红色维修 LED 指示灯。要了解详细说明，请参阅“**维修 LED 指示灯**”的相关内容。



黄色维修 LED 指示灯。要了解详细说明，请参阅“**维修 LED 指示灯**”的相关内容。

### 日期代码位置（图 1）

包含制造年份的日期码 (w) 印在工具外壳上。

示例：

2014 XX XX

制造年份

## 包装内的物品

本产品包装内的物品有：

- 1 电锤 (D25721、D25722、D25723、D25761、D25762 和 D25763)

或

- 1 电镐 (D25871)
- 1 侧手柄
- 1 工具箱（仅适用于 K 型号）
- 1 尖凿（仅适用于 D25871）
- 1 使用手册

- 检查工具、部件或附件是否在运输过程中损坏。
- 操作前，请抽空仔细阅读并掌握本手册。

## 说明（图 1A、1B、2A、2B）



**警告：**切勿改装本电动工具或其任何部件，否则可能会导致损坏或人身伤害。

- a. 触发开关 (D25721、D25722、D25723、D25761、D25762 和 D25763)  
翘板开关 (D25871)
- b. 锁定滑块 (D25721、D25722、D25723、D25761、D25762 和 D25763)

- c. 侧手柄
- d. 主手柄
- e. 有源振动控制
- f. 模式选择器开关
- g. 电子变速器和冲击控制旋钮
- h. 紧固轮
- i. 侧手柄夹钳
- j. 钢环
- k. 衬套
- l. 工具夹持器
- m. 销
- n. 轴环
- o. 锁定套管
- p. 侧手柄旋钮

## 设计用途

### D25721、D25722、D25723、D25761、D25762 和 D25763

您的电锤设计用于专业旋转钻孔和切削应用。

### D25871

您的电镐设计用于专业切削、凿切和破碎应用。

**请勿**在潮湿环境中或在有易燃液体或气体的环境中使用。

这些电锤是专业型电动工具。

**请勿**让儿童接触本工具。缺乏经验的操作人员需要在监督下使用本工具。

- 本产品不适合体力、感官或智力不足以及缺乏经验、知识或技能的人员（包括儿童）使用，除非一旁有能为他们的安全负责的监督人员。不得在无人监管的情况下让儿童接触本产品。

## 软启动功能

### D25722、D25723、D25761、D25762 和 D25763

工具的软启动功能可以缓慢加速，以防钻头在工具启动时偏离钻孔位置。

如果电锤启动时钻头位于已有的孔中，则软启动功能还会降低直接传递到排挡和操作员的扭转效应。

## 电子变速器和冲击控制（图 1、图 3）

电子变速器和冲击控制 (g) 具有以下优点：

- 使用较小型附件，无破损风险；
- 在软质或易脆材料上凿切或钻孔时可最大程度降低破损；
- 是精确凿切的最佳工具控制装置。

## 扭矩限制离合器



**警告：** 操作员在操作期间必须始终握紧工具。

扭矩限制离合器可减少钻头卡住时传递到操作员的最大扭矩效应。此功能还可防止排挡和电机失速。

**注意：** 更改扭矩控制设置前必须关闭工具电源，否则可能损坏工具。

### 完全扭矩控制 (CTC) (图 3) D25722/D25761/D25762

完全扭矩控制 (CTC) 设有可调扭矩选项，为操作员提供两档机械离合器。调节扭矩有助于针对不同应用提高控制力。

低扭矩设置（40 牛米）允许在较低的扭矩水平下操作工具，从而增强对多种实心钻孔应用的控制力。高扭矩设置（80 牛米）适用于更严苛的应用，例如空心钻孔和使用大直径实心钻头的情况。

请参阅“[设置两档机械离合器](#)”了解更多信息。

### 终极扭矩控制 (UTC) D25723/D25763

除了两档机械离合器外，终极扭矩控制 (UTC) 采用嵌入式防旋转技术，可检测操作员是否失去电锤控制，使操作员更舒适更安全。系统检测到卡钻时，会立即降低扭矩和转速。此功能可防止工具自行旋转，降低手腕受伤的风险。

## 维修 LED 指示灯（图 3）

黄色电刷磨擦 LED 指示灯 (s) 在碳刷接近损坏时会亮起，表明工具需要在之后 8 个小时的使用中进行维修。

## D25721、D25722、D25723、D25761、DD25762 和 D25763

如果在除切削之外的任何模式下使用锁定按钮 (b)，则红色维修 LED 指示灯 (r) 会亮起。在配备终级扭矩控制 (UTC) 的工具上，如果激活了防旋转装置，则红色 LED 指示灯 (r) 会亮起。如果工具出现故障，或者电刷完全磨损，则红色指示灯会开始闪烁（请参阅“维护”中的“电刷”部分）。

### D25871

如果工具出现故障，或者电刷完全磨损，则红色维修 LED 指示灯 (r) 会亮起（请参阅“维护”中的“电刷”部分）。

## 减震主手柄（图 1）

主手柄 (d) 上的减震层可吸收传递至操作员的震动，提高操作员在操作过程中的舒适感。

## 电气安全

电机只适用一种工作电压。请务必检查电源电压是否与铭牌上的电压一致。



您的 DEWALT 工具依据 IEC 60745 标准设置双重绝缘，因此无须接地线。

若电源线损坏，必须交由 DEWALT 维修部门采用专门制备的电线进行更换。

## 使用延长线

如需使用延长电缆，请使用与本工具的输入电源（见技术参数）相符且经检验的 3 芯延长电缆。导线的最小尺寸为 1.5 平方毫米，最大长度为 30 米。

使用电缆卷筒时，请务必拉出所有的电缆。

## 组装和调整



**警告：为降低人身伤害的风险，在拆、装附件或调整、修理工具之前，请关闭工具并拔下工具插头。**请确保触发开关处于 OFF（关闭）位置。意外启动可能会导致人身伤害。



**警告：**工具钻头可能发热，因此更换或取下钻头时必须佩戴手套以防受伤。

## 组装和安装侧手柄（图 2A、图 2B）

侧手柄 (c) 可安装在机器的任一侧，以适合右手和左手操作员。



**警告：**务必在正确组装侧手柄后才操作工具。

### D25721、D25722、D25723、D25761、D25762 和 D25763

#### 安装在前端位置（图 2A）

1. 将钢环 (j) 夹在工具夹持器 (l) 后面的轴环 (n) 中。挤压两端，安装衬套 (k) 并插入销 (m)。
2. 将侧手柄夹钳 (i) 拧到紧固轮 (h) 上。请勿拧紧。



**警告：**组装好后，切勿取下侧手柄夹钳。

3. 将侧手柄 (c) 拧进衬套 (k)，再拧进紧固轮。然后拧紧。
4. 将侧手柄安装组件旋转至所需位置。在使用重型钻头进行水平钻孔时，我们建议将侧手柄调整到约 20° 的角度以便获得最好的控制。
5. 通过转紧紧固轮 (h) 将侧手柄安装组件锁定到位。

### D25871（图 2B）


1. 拧松侧手柄旋鈕 (p)。
2. 将侧手柄组件滑动到机器上，使钢环 (j) 位于安装区域 (y) 中。侧手柄的正确位置介于管的前端和中间的位置。
3. 将侧手柄 (c) 调整至所需的角度的。
4. 将侧手柄滑动和旋转至所需位置。
5. 通过转紧旋鈕 (p) 将侧手柄锁定到位。


## 插入和取下 SDS max® 附件（图 1、4A、4B）

本机器使用 SDS max® 钻头和凿子（请参阅插图 1 中的图 4B 获取 SDS Max® 钻头杆的横截面图）。

1. 清洁钻头杆。
2. 向后拉锁定套管 (o) 然后插入钻头杆。
3. 稍微转动钻头直到套管卡入到位。
4. 拉动钻头以检查它是否正确锁定。锤打功能需要钻头在锁定到工具夹持器中时可以轴向移动数厘米。
5. 要取下钻头，请向后拉工具夹持器锁定套管/轴环 (o)，然后从工具夹持器 (l) 中拉出钻头。

## 选择操作模式（图 1）

 **锤钻：** D25721、D25722、D25723、D25761、D25762 和 D25763 用于在混凝土和砖石上钻孔。

 **锤击：** 用于凿切和破碎作业。在此模式下，工具还可用作杠杆，便于取出卡住的钻头。

1. 要选择操作模式，请旋转模式选择器开关 (f) 直到其指向所需的模式符号。  
可能需要轻微扭转工具夹持器 (l) 才能让模式选择器开关 (f) 经过 **0** 位置。
2. 确保模式选择器开关 (f) 锁定到位。

## 标记凿子位置（图 5）

可标记凿子并将它锁定在 24 个不同的位置中。

1. 旋转模式选择器开关 (f) 直到它指向 **0** 位置。
2. 将凿子旋转至所需位置。
3. 将模式选择器开关 (f) 旋转到“锤击”位置。
4. 扭转凿子直到它锁定到位。

## 设置电子变速器和冲击控制旋钮（图 1、图 3）

将旋钮 (g) 转至所需等级。将旋钮向上旋转选择较高转速，向下旋转选择较低转速。依据经验设置所需操作，例如：

- 在软质、易脆材料上凿切或钻孔，或在需要最大限度降低破损时，将旋钮调整为低设置；
- 在硬质材料上钻孔或进行破碎时，将旋钮调整为高设置。

## 设置两档机械离合器（图 3）

D25722、D25723、D25761、D25762 和 D25763

**注意：** 更换扭矩控制设置前必须关闭工具电源，否则可能损坏工具。

根据应用需要移动扭矩控制杆 (t)，设置为 40 牛米或 80 牛米。

- 离合器设置为 40 牛米 (u) 的扭矩时适用于大多数钻孔应用，在钻头遇到钢筋或其他异物时容易松开离合器。
- 离合器设置为 80 牛米 (v) 的扭矩时适用于较高扭矩应用，例如空心钻孔和深层钻孔，离合器在较高扭矩作用下才会松开。

**注：** 如果无法选择 80 牛米设置，则在负载状态下运行工具然后重试。

每次接通工具电源时，工具会自动将离合器设置为敏感度最高的 1 级，即 40 牛米 (u)。

## 操作

### 使用说明



**警告：** 请务必遵守安全指示和适用法规。



**警告：** 为降低人身伤害的风险，在拆、装附件或调整、修理工具之前，请关闭工具并拔下工具插头。请确保触发开关处于 OFF（关闭）位置。意外启动可能会导致人身伤害。



**警告：**工具钻头可能发热，因此更换或取下钻头时必须佩戴手套以防受伤。



**警告：**

- 注意水管和电线的布线位置。
- 轻轻地对工具施加压力（约 20 千克）。过度用力不但不会加快钻孔的速度，而且会降低工具性能并可能缩短工具使用寿命。
- 务必用双手紧握工具并确保站稳。务必在正确组装侧手柄后才操作工具。

**注：**操作温度为 -7°C 至 +40°C (19°F 至 104°F)。在此温度范围外使用工具会降低工具的使用寿命。

## 正确的手持方式（图 6）



**警告：**为降低严重的人身伤害风险，请务必使用正确的手持方式，如图所示。



**警告：**为降低严重的人身伤害风险，请务必紧握工具以防止意外事件。

正确的手持方式是一只手放在主手柄 (d) 上，另一只手放在侧手柄 (c) 上。

## 启动与关闭（图 1）

**D25721、D25722、D25723、D25761、D25762 和 D25763**

要启动工具，请按触发开关 (a)。

要停止工具，请松开触发开关。

**D25721、D25722、D25723、D25761、D25762 和 D25763**

使用锁定滑块 (b) 可将触发开关 (a) 锁定在仅凿切模式。如果锁定按钮在钻孔模式下激活，则该功能会自动关闭工具。

要启动工具，请按触发开关 (a)。

要停止工具，请松开开关。

要使工具连续运转，按下开关 (a) 不要松开，同时向上滑动锁定按钮 (b)，然后松开开关。

要停止连续运转，短暂按下开关然后松开。作业结束后，务必先关闭工具开关，然后再拔下工具插头。

**D25871**

要启动工具，请按触发开关下部的翘板开关 (a)。

要停止工具，请按触发开关上部的翘板开关。

## 锤钻

要启动工具，请按开关 (a)。

要停止工具，请松开开关。

## 使用实心钻头钻孔（图 1）

**D25721、D25722、D25723、D25761、D25762 和 D25763**

1. 插入相应的钻头。
2. 将模式选择器开关 (f) 旋转到锤钻位置。
3. 设置电子变速器和冲击控制旋钮 (g)。
4. 安装和调整侧手柄 (c)。
5. 在要钻孔的位置做标记。
6. 将钻头对准标记并开启工具。
7. 作业结束后，务必先关闭工具开关，然后再拔下工具插头。

## 使用空心钻头钻孔（图 1）

1. 插入相应的空心钻头。
2. 将中心钻组装到空心钻头中。
3. 将模式选择器开关 (f) 旋转到锤钻位置。
4. 将电子变速器和冲击控制旋钮 (g) 旋转到中高级转速设置。
5. 安装和调整侧手柄 (c)。
6. 将中心钻对准钻孔位置并启动工具。进行钻孔操作直到钻心穿透混凝土大约 1 厘米。
7. 停止工具然后取下中心钻。将空心钻头放回孔中继续钻孔。
8. 当要钻孔的材料厚度大于空心钻头的深度时，可定期清理钻头内的圆柱体混凝土或材料。

要避免意外碎裂孔周围的混凝土，可先在材料上钻一个中心钻直径大小的孔，孔要完全穿透材料。然后使用空心钻头从两边往中心钻孔。

9. 完成工作时，务必先关闭工具再拔下电源插头。



## 润滑

本电动工具无需另行润滑。

## 切削和凿切（图 1）

1. 插入相应的凿子然后手动旋转直到凿子锁定到 24 个位置的其中一个。
2. 将模式选择器开关 (f) 设置为“锤击”位置。
3. 设置电子变速器和冲击控制旋钮 (g)。
4. 安装和调整侧手柄 (c)。
5. 启动工具然后开始作业。
6. 作业结束后，务必先关闭工具，然后再拔下工具插头。



## 清洁



**警告：**一旦看到通风口及其周围积聚了尘屑，请用干燥的空气将灰尘和尘屑从主机外壳内吹出。执行此过程时，需戴上经认可的护目装备和防尘面具。



**警告：**请勿使用溶剂或其它刺激性化学物质来清洁工具的非金属部件。这些化学物质可能会削弱这些部位使用的材料。请用布蘸温和的肥皂水擦拭。切勿让任何液体渗入工具，切勿让工具的任何部件浸在液体中。

## 保养

DEWALT 电动工具设计精良，可以长时间使用，而且只需极少的维护。要连续获得令人满意的工作效果，需要进行合适的工具维护和定期清洁。



**警告：为降低人身伤害的风险，在拆、装附件或调整、修理工具之前，请关闭工具并拔下工具插头。**请确保触发开关处于 OFF（关闭）位置。意外启动可能会导致人身伤害。

本工具不允许用户自行维修。在使用约 150 小时后，请将工具送交 DEWALT 授权维修代理。如果在此之前工具发生任何问题，请联系 DEWALT 授权维修代理。

## 电刷（图 3）

碳刷不可由用户自行维修。请将工具送交 DEWALT 授权维修代理。

黄色电刷磨损 LED (s) 指示灯会在碳刷接近损坏时亮起。之后再使用 8 小时或在电刷完全磨损后，电机自动关闭。

维修指示灯 (r) 亮起后，必须尽快对工具进行维护。

## 可选配件



**警告：**除了 DEWALT 提供的附件之外，其他附件都未经此产品兼容性测试，若将此类附件与本工具一起使用将存在安全隐患。为降低伤害风险，本产品只可使用 DEWALT 推荐的附件。

有各种不同类型的 Max® 钻头和凿子可供选购。

请向您的经销商咨询更多关于合适附件的信息。

## 保护环境



分类回收。本产品不得与普通家庭垃圾一起处理。

如果发现您的 DEWALT 产品需要更换或您已经不再需要使用这些产品，请勿将它们与家庭垃圾一起处理。请将它们单独分类回收。



分类回收使用过的产品和包装能够让材料得以再循环和再利用。再生材料的再利用有助于防止环境污染，并降低对原材料的需求。

当地法规可能要求由市政废物处理点或向您出售新产品的零售商提供从家庭中分类回收电气产品的服务。

DEWALT 提供设施收集和回收使用寿命到期的 DEWALT 产品。若要享受这项服务，请将产品送回任一授权维修代理处，他们将代表我们回收您的产品。

请根据本手册所提供的地址与当地 DEWALT 办事处联系，查询离您最近的授权维修代理的位置。或者，您也可以登陆以下网站查询 DEWALT 授权维修代理名单，以及我们的售后服务和联系方式的详细信息，网址是 [www.2helpU.com](http://www.2helpU.com)。

**制造商：百得德国公司**

**产地：捷克**



# SDS MAX® 雙模式電鎚鑽

## D25721、D25722、D25723、D25761、D25762、D25763 和 D25871

### 恭喜閣下！

感謝您選購 DEWALT 工具。憑藉多年的產品開發和創新經驗，DEWALT 已成為專業電動工具使用者最信賴的夥伴之一。

### 技術資料

		D25721	D25722	D25723	D25761	D25762	D25763	D25871
電壓	V	110	110	110	110	110	110	110
類型		1	1	1	1	1	1	1
輸入功率	W	1350	1400	1400	1500	1500	1500	1400
衝擊能量	J	1.5–15	1.5–15	1.5–15	3–18	3–18	3–18	1.5–15
在混凝土中的鑽孔範圍：								
實心鑽頭	mm	12–48	12–48	12–48	18–52	18–52	18–52	–
取芯鑽頭	mm	40–115	40–125	40–125	40–150	40–150	40–150	–
在混凝土中的最佳鑽孔範圍：								
實心鑽頭	mm	25–40	25–45	25–45	28–48	28–48	28–48	–
鑿子位置		24	24	24	24	24	24	24
工具夾持器		SDS Max®	SDS Max®	SDS Max®	SDS Max®	SDS Max®	SDS Max®	SDS Max®
重量	kg	8.7	9.1	9.1	9.9	9.9	9.9	8.0

### 定義：安全指南

以下定義描述了每一個詞彙的嚴重程度。請閱讀本手冊並注意這些符號。



**危險：**表示緊急危險情況，若未能避免，將導致**死亡或嚴重傷害**。



**警告：**表示潛在危險情況，若未能避免，可能導致**死亡或嚴重傷害**。



**小心：**表示潛在危險情況，若未能避免，可能導致**輕微或中度傷害**。

**注意：**表示一種**非人身傷害**的行為，若未能避免，可能導致**財產損失**。



表示觸電危險。



表示火災危險。



**警告：**為了降低受傷的風險，必須仔細閱讀使用手冊。

### 電動工具一般安全警告



**警告！請閱讀所有安全警告及使用指示。**不遵循這些警告和指示可能會導致觸電、火災及/或嚴重傷害。

**請妥善保存所有的警告和操作手冊  
以備將來查閱**

警告中的名詞「電動工具」是指電源驅動（插電）電動工具，或者電池驅動（充電）電動工具。

#### 1) 工作場地安全

- 保持工作場地清潔和明亮。**混亂或黑暗的場地會引發事故。

- b) 不要在易爆環境，如有易燃液體、氣體或粉塵的環境中操作電動工具。電動工具產生的火花會點燃粉塵或氣體。
- c) 請等待兒童和旁觀者離開之後才操縱電動工具。分心會導致您疏於控制。

## 2) 電氣安全

- a) 電動工具插頭必須與插座相符。切勿以任何方式改裝插頭。需接地的電動工具不能使用任何配接器插頭。未經改裝的插頭和相符的插座可以減少觸電危險。
- b) 避免人體接觸接地表面，如管道、散熱片、爐灶和冰箱。若您的身體接地，可增加觸電危險。
- c) 不得將電動工具暴露在雨中或潮濕環境中。水進入電動工具會增加觸電危險。
- d) 切勿濫用電線。請勿使用電線來搬運、拉動電動工具或拔出插頭。讓電線遠離熱、油、銳邊和活動部件。受損或纏繞的電線會增加觸電危險。
- e) 若要在戶外使用電動工具，請使用適合戶外使用的延長電纜。使用適合戶外使用的電纜可減少觸電危險。
- f) 若必須在潮濕場合使用電動工具，請使用漏電保護器 (RCD)。使用 RCD 可降低觸電危險。

## 3) 人身安全

- a) 保持警覺；在操作電動工具時，請留意所執行的操作並按照一般的常識執行。切勿在疲倦，或受到藥物、酒精或治療的影響下操作電動工具。操作電動工具期間注意力分散會導致嚴重人身傷害。
- b) 使用個人防護裝置。始終佩戴護目裝備。防護裝置，例如在適當條件下可使用的防塵面具、防滑安全鞋、安全帽或聽力保護等裝置可減少人身傷害。
- c) 避免意外啟動。連接電源及/或電池組、舉抬或搬運電動工具之前，請確定開關處於關閉位置。搬運電動工具時若將手指放在開關上，或是在接通開關電源時插入插頭都會引發危險。

- d) 接通電動工具之前，請卸下所有的調整鑰匙或扳手。遺留在電動工具旋轉部件上的扳手或鑰匙會導致人身傷害。
- e) 不要過度伸張雙手。時刻注意腳下和身體的平衡。如此即可在發生意外的情況下更好地控制電動工具。
- f) 適當穿著。不要穿寬鬆衣服或佩戴飾品。讓您的頭髮、衣服和手套遠離活動部件。寬鬆衣服、佩飾和長髮可能會捲入活動部件。
- g) 若配備用於連接排屑裝置、集塵設備的裝置，請確定正確連接和使用這些裝置。使用集塵設備可減少與塵埃有關的危險。

## 4) 電動工具的使用與維護

- a) 不要超負荷使用電動工具。根據您的用途使用適當的電動工具。使用適當的電動工具在其設計可負荷的應用內，會讓您更有效、更安全地執行工作。
- b) 若開關不能開啟或關閉電源，切勿使用該電動工具。不能用開關來控制的電動工具將存在危險，因此必須進行修理。
- c) 在執行任何調整、更換配件或儲存電動工具之前，請從電源上拔掉插頭及/或卸下電池組。這類防護性措施可降低電動工具意外啟動的風險。
- d) 將閒置的電動工具儲存在兒童無法接觸的地方，並且不要讓不熟悉電動工具或對這些使用指示不瞭解的人員操作電動工具。電動工具在未受培訓的使用者手中會發生危險。
- e) 維護電動工具。檢查活動部件是否對準或卡住、破損情況以及是否存在影響電動工具運行的其他情況。若有損毀，必須在使用之前修理電動工具。許多事故都是由於電動工具欠缺維護所導致。
- f) 保持刀具鋒利和清潔。妥善維護、切削鋒利的切割工具不會輕易卡住並可更輕鬆控制。
- g) 遵循使用指示以及工作條件和所要執行的工作使用電動工具、配件和工具刀頭等。不按照設計目使用電動工具將會導致危險。

## 5) 檢修

- a) **本電動工具必須由合格的維修人員並只採用相同的原廠部件來執行檢修。**這將確保電動工具的安全性。



扭矩為 80 Nm 的離合器專用於較高扭矩的應用。



紅色維修 LED 指示燈。如需詳細說明，請參閱「**維修 LED 指示燈**」。



黃色維修 LED 指示燈。如需詳細說明，請參閱「**維修 LED 指示燈**」。

## 電鎚之附加安全指示

- **請佩戴聽力保護器。**噪音會使聽力受損。
- **請使用工具隨附的輔助手柄。**工具失控會導致人身傷害。
- **若在執行操作時切割配件可能會接觸隱藏的電線或它本身的電線，則只能從絕緣手柄表面握住電動工具。**若切削配件接觸到「帶電」導線，電動工具金屬部件表面就會「帶電」，從而導致操作人員觸電。

## 剩餘風險

使用電鑽和電鎚有以下固有危險：

- 接觸工具的旋轉部件或高溫部件導致的傷害。

即使應用有關的安全規定並採用安全設備，仍然還有一些無法避免的剩餘風險。危險包括：

- 聽力受損。
- 更換配件時擠壓手指的危險。
- 在混凝土和/或磚石工作環境下產生的可吸入粉塵對健康的危害。

## 工具上的標誌

工具上會附帶下列圖示：



使用之前請閱讀使用手冊



請佩戴聽力保護器。



請佩戴護目鏡。



扭矩為 40 Nm 的離合器專用於大部分的鑽孔應用。

## 日期代碼位置 (圖 1)

日期代碼 (w)，包括 製造年份，已經印刷在工具外殼上。

範例：

2014 XX XX

製造年份

## 套裝內的物件

本套裝包括：

- 1 電鑽 (D25721、D25722、D25723、D25761、D25762 和 D25763)

或

- 1 電鎚 (D25871)
- 1 側手柄
- 1 工具箱 (僅適用於 K 型號)
- 1 尖鑿 (僅適用於 D25871)
- 1 使用手冊

- 檢查工具、部件或配件有否在運送途中損壞。
- 操作前，請抽空徹底地閱讀和掌握本手冊的內容。

## 說明 (圖 1A、1B、2A、2B)



**警告：**請勿改動本電動工具或其任何部件，否則可能導致損壞或人身傷害。

- a. 觸發開關 (D25721、D25722、D25723、D25761、D25762 和 D25763)  
翹板開關 (D25871)

- b. 鎖定滑塊 (D25721、D25722、D25723、D25761、D25762 和 D25763)
- c. 側手柄
- d. 主手柄
- e. 主動震動控制器
- f. 模式選擇器開關
- g. 電子變速和沖擊控制轉度盤
- h. 緊固輪
- i. 側手柄夾鉗
- j. 鋼環
- k. 導套
- l. 工具夾持器
- m. 固定銷
- n. 軸環
- o. 鎖定套筒
- p. 側手柄旋鈕

### 設計用途

**D25721、D25722、D25723、D25761、D25762 和 D25763**

您的電鑽設計用於專業旋轉鑽孔和鑿切應用。

### D25871

您的電鎚設計用於專業鑿切、鑿打、和破碎應用。

**切勿**在潮濕有水或存有易燃液體或氣體的環境下使用工具。

這些電鎚鑽是專業的電動工具。

**不要**讓兒童接觸本工具。缺乏經驗的操作人員需要在監督下使用本工具。

- 體力、感覺或智力不足，以及缺乏經驗、知識或技能的人員（包括兒童）不適合使用本產品，除非一旁有能為他們的安全負責的監督人員。切勿讓兒童單獨接觸本工具。

## 軟啟動功能

**D25722、D25723、D25761、D25762 和 D25763**

工具的軟啟動功能可以使工具緩慢加速，以防鑽頭在工具啟動時偏離鑽孔位置。

如果在鑽頭置於已有孔中的狀態下啟動電鎚鑽，軟啟動功能還可降低直接傳導至傳動裝置和操作員的扭矩作用力。

## 電子變速和沖擊控制器 (圖 1、3)

電子變速和沖擊控制器 (g) 具有以下優點：

- 使用較小附件，無破損風險；
- 在軟質或易碎材料上鑿打或鑽孔時可最大程度降低破損；
- 適用於精確鑿打作業的最佳工具控制器。

## 扭矩限制離合器



**警告：**操作員在操作期間必須始終握緊工具。

扭矩限制離合器可減少鑽頭卡住時傳導至操作員的最大扭矩反作用力。此功能還可防止傳動裝置和電機失速。

**注意：**更改扭矩控制設定前必須關閉工具電源，否則可能損壞工具。

## 完全扭矩控制 (CTC) (圖 3)

**D25722/D25761/D25762**

完全扭矩控制 (CTC) 設有可調整的扭矩選項，為操作員提供兩檔機械離合器。調整扭矩有助於針對不同應用提高控制力。

低扭矩設定 (40 Nm) 允許工具在較低的扭矩水平下操作，從而增強對多種實心鑽孔應用的控制力。高扭矩設定 (80 Nm) 適用於更高強度的應用，例如取芯鑽孔和使用大直徑實心鑽頭。

請參閱「**設定兩檔機械離合器**」瞭解更多資訊。

## 極限扭矩控制器 (UTC) D25723/D25763

除了兩檔機械離合器外，極限扭矩控制器 (UTC) 採用嵌入式防旋轉技術，可檢測操作員是否失去電鏈控制，使操作員作業更舒適更安全。當偵測到卡鑽時，會立即降低扭矩和轉速。此功能可防止工具自行旋轉，降低手腕受傷的風險。

## 維修 LED 指示燈 (圖 3)

黃色電刷磨損 LED 指示燈 (s) 在碳刷接近損壞時會亮起，表明工具需要在使用 8 個小時內進行維修。

### D25721、D25722、D25723、D25761、DD25762 和 D25763

如果在鑿切之外的任何模式下使用鎖定按鈕 (b)，則紅色維修 LED 指示燈 (r) 會亮起。在配備極限扭矩控制器 (UTC) 的型號上，如果防旋轉裝置被啟動，則紅色 LED 指示燈 (r) 會亮起。如果工具出現故障，或者電刷完全磨損，則紅色指示燈會開始閃爍（請參閱「維護」中的「電刷」部分）。

### D25871

如果工具出現故障，或者電刷完全磨損，則紅色維修 LED 指示燈 (r) 會亮起（請參閱「維護」中的「電刷」部分）。

## 減震手柄 (圖 1)

主手柄 (d) 上的減震層可吸收傳導至操作員的震動，提高操作員在操作過程中的舒適感。

## 電氣安全

電動機只適用一種電壓。請務必檢查電源電壓是否與銘牌一致。



DEWALT 工具根據 IEC 60745 進行雙重絕緣，因此不需要使用接地線。



**警告：**110 伏特裝置必須透過失靈安全隔離變壓器運作，在初級繞組和次級繞組之間使用接地屏蔽。

如果電源線損壞，必須使用 DEWALT 維修機構提供的專用電源線進行更換。

## 使用延長纜線

若需要使用延長電纜，使用適合本工具電源輸入使用的認證 3 芯延長電纜（參閱技術資料）。導體的最小尺寸為 1.5 mm<sup>2</sup>；最大長度為 30 m。

使用電纜捲筒時，每次必須把電纜完全展開。

## 組裝與調整



**警告：**若要降低傷害危險，請在安裝和移除配件前、調整或變更設定前或進行修理時關閉工具並斷開電源。請確保觸發開關處於關閉 (OFF) 位置。意外啟動工具可能會造成傷害。



**警告：**工具鑽頭可能發熱，因此更換或取下鑽頭時必須佩戴手套以防受傷。

## 組裝和安裝側手柄 (圖 2A、圖 2B)

側手柄 (c) 可安裝在工具的任一側，以適合右手和左手操作使用者。



**警告：**請務必在已正確地安裝側手柄的情況下操作本工具。

### D25721、D25722、D25723、D25761、D25762 和 D25763

#### 安裝在前端位置 (圖 2A)

1. 將鋼環 (j) 夾在工具夾持器 (l) 後面的軸環 (n) 中。擠壓兩端，安裝導套 (k) 並插入固定銷 (m)。
2. 將側手柄夾鉗 (i) 擰到緊固輪 (h) 上。不要擰緊。



**警告：**組裝好後，切勿取下側手柄夾鉗。

3. 將側手柄 (c) 擰進導套 (k)，再擰進緊固輪。牢固擰緊。
4. 將側手柄安裝組件旋轉至所需位置。在使用重型鑽頭進行水平鑽孔時，我們建議將側手柄調整到約 20° 的角度以便獲得最好的控制。
5. 轉緊緊固輪 (h) 將側手柄安裝組件鎖定位。

## D25871 (圖 2B)

1. 擰松側手柄旋鈕 (p)。
2. 將側手柄組件滑動到工具上，使鋼環 (i) 位於安裝區域 (y) 中。側手柄的正確位置是介於導套前端和中間之間的位置。
3. 將側手柄調整至所需角度。
4. 滑動側手柄並旋轉至所需位置。
5. 轉緊旋鈕 (p) 將側手柄鎖定到位。

## 插入和取下 SDS max<sup>®</sup> 附件 (圖 1、4A、4B)

本工具使用 SDS max<sup>®</sup> 鑽頭和鑿子 (請參閱插頁中的圖 4B，瞭解 SDS Max<sup>®</sup> 鑽頭桿的橫截面圖)。

1. 清潔鑽頭桿。
2. 向後拉鎖定套筒 (o) 然後插入鑽頭桿。
3. 稍微轉動鑽頭直到套筒卡入到位。
4. 拉動鑽頭以檢查它是否正確鎖定。要使用錘擊功能，鑽頭需要在工具夾持器中鎖定時軸向地移動數公分。
5. 要取下鑽頭，請向後拉工具夾持器鎖定套筒/軸環 (o)，然後從工具夾持器 (l) 中拉出鑽頭。

## 選擇操作模式 (圖 1)



**錘鑽：**

**D25721、D25722、D25723、D25761、  
D25762 和 D25763**

適用於在混凝土、磚塊、石頭和砌石上的鑽孔作業。



**鎚擊：**

適用於鑿打和破碎作業。在此模式下，工具還可用作撬桿，以便於取出卡住的鑽頭。

1. 若要選擇操作模式，請旋轉模式選擇器開關 (f) 直到其指向所需的模式符號。  
可能需要稍稍扭轉工具夾持器 (l) 才能讓模式選擇器開關 (f) 經過 **0** 位置。
2. 檢查模式選擇器開關 (f) 是否鎖定到位。

## 標記鑿子位置 (圖 5)

可標記鑿子並將它鎖定在 24 個不同的位置中。

1. 旋轉模式選擇器開關 (f) 直至指向 **0** 位置。
2. 將鑿子旋轉至所需位置。
3. 將模式選擇器開關 (f) 旋轉到「鎚擊」位置。
4. 旋轉鑿子直至鎖定到位。

## 設定電子變速和沖擊控制轉度盤 (圖 1、圖 3)

將轉度盤 (g) 轉至所需水平。向上旋轉轉度盤選擇較高轉速，向下旋轉選擇較低轉速。依據經驗設定所需操作，例如：

- 在軟質、易碎材料上鑿打或鑽孔，或在需要最大限度減少破損時，將轉度盤調整為低速設定；
- 在硬質材料上破碎或鑽孔作業時，將旋鈕調整為高速設定。

## 設定兩檔機械離合器 (圖 3)

### D25722、D25723、D25761、D25762 和 D25763

**注意：**更改扭矩控制設定前必須關閉工具電源，否則可能損壞工具。

根據應用需要移動扭矩控制桿 (t)，設定為 40 Nm 或 80 Nm。

- 扭矩設定為 40 Nm 的離合器 (u) 適用於大多數鑽孔應用，在鑽頭遇到鋼筋或其他異物時容易脫開離合器。
- 扭矩設定為 80 Nm 的離合器 (v) 適用於較高扭矩應用，例如取芯鑽頭和深層鑽孔，離合器在較高扭矩閾值下才會脫開。

**註：**如果無法選擇 80 Nm 設定，則在負載狀態下運行工具然後重試。

每次接通工具電源時，工具會自動將離合器預設為靈敏度最高的設定 1，即 40 Nm (u)。

## 操作

### 使用說明



**警告：**務必遵守安全指示和適用的規則。



**警告：**若要降低傷害危險，請在安裝和移除配件前、調整或變更設定前或進行修理時關閉工具並斷開電源。請確保觸發開關處於關閉 (OFF) 位置。意外啟動工具可能會造成傷害。



**警告：**工具鑽頭可能發熱，因此更換或取下鑽頭時必須佩戴手套以防受傷。



**警告：**

- 小心管道和佈線的所在位置。
- 僅對工具施加適當的力度（大約 20 kg）。過大力度並不會加快鑽孔的速度，並會降低工具的效能和縮短工具的壽命。
- 請務必使用雙手穩固地握住工具並站穩。請務必在已正確地安裝側手柄的情況下操作本工具。

**注：**操作溫度為  $-7^{\circ}$  至  $+40^{\circ}$  C ( $19^{\circ}$  至  $104^{\circ}$  F)。在此溫度範圍外使用會降低工具的使用壽命。

### 正確的雙手放置位置 (圖 6)



**警告：**為了減低造成嚴重人身傷害的風險，務必如圖示那樣正確放置雙手。



**警告：**為了減低造成嚴重人身傷害的風險，預期有突然反應時務必握緊。

正確的雙手放置位置是將一隻手放在側手柄 (c) 上，另一隻手放在主手柄 (d) 上。

### 開啟和關閉電源 (圖 1)

**D25721、D25722、D25723、D25761、D25762 和 D25763**

若要啟動工具，請按下觸發開關 (a)。

若要停止工具，請鬆開觸發開關。

**D25721、D25722、D25723、D25761、D25762 和**

**D25763**

使用鎖定滑塊 (b) 可將觸發開關 (a) 鎖定在鑿打模式。如果在鑽孔模式下啟動鎖定按鈕，則該功能會自動關閉工具。

若要啟動工具，請按下觸發開關 (a)。

若要停止運轉工具，請鬆開開關。

若要使工具連續運轉，按住觸發開關 (a)，同時向上滑動鎖定按鈕 (b)，然後松开觸發開關。

若要停止連續運轉，短暫按下觸發開關然後松开。工作完成後，拔出插頭前請務必關閉工具。

**D25871**

若要啟動工具，請按下觸發開關下部的翹板開關 (a)。

若要停止工具，請按下觸發開關上部的翹板開關。

### 鎚鑽

若要啟動工具，請按下電源開關 (a)。

若要停止運轉工具，請鬆開開關。

### 使用實心鑽頭鑽孔 (圖 1)

**D25721、D25722、D25723、D25761、D25762 和 D25763**

1. 插入相應的鑽頭。
2. 將模式選擇器開關 (f) 設定為「鎚鑽」位置。
3. 設定電子變速和沖擊控制轉度盤 (g)。
4. 安裝並調整側手柄 (c)。
5. 在要鑽孔的位置做標記。
6. 將鑽頭對準標記並啟動工具。
7. 工作完成後，拔出插頭前請務必關閉工具。

### 使用取芯鑽頭鑽孔 (圖 1)

1. 插入適合的取芯鑽頭。
2. 將中心鑽組裝到取芯鑽頭中。
3. 將模式選擇器開關 (f) 設定為「鎚鑽」位置。
4. 將電子變速器和沖擊控制轉度盤 (g) 轉到中高速設定的位置。

5. 安裝並調整側手柄 (c)。
6. 將中心鑽對準鑽孔位置並啟動工具。進行鑽孔操作直到鑽心穿透混凝土大約 1 cm。
7. 停止工具然後取下中心鑽。將取芯鑽頭對準孔中繼續鑽孔。
8. 當要鑽孔的材料厚度大於取芯鑽頭的深度時，可定期清理鑽頭內的圓柱體混凝土或芯材。  
若要避免意外碎裂孔周圍的混凝土，可先在材料上鑽一個中心鑽直徑大小的孔，孔要完全穿透材料。然後對已取芯的孔從兩邊往中心鑽孔。
9. 工作完成後及拔出插頭前，請務必關閉工具。

## 鑿切和鑿打 (圖 1)

1. 插入相應的鑿子，然後手動旋轉直到鑿子鎖定向 24 個位置的其中一個。
2. 將模式選擇器開關 (f) 旋轉到「鏈擊」位置。
3. 設定電子變速和沖擊控制轉度盤 (g)。
4. 安裝並調整側手柄 (c)。
5. 啟動工具並開始操作。
6. 工作完成後及拔出插頭前，請務必關閉工具。

## 維護

DeWALT 電動工具採用卓越的設計，能夠長時間使用，並且只需最少的維護。若要持續獲得滿意的操作效果，需進行正確的工具維護和定期的清潔。



**警告：若要降低傷害危險，請在安裝和移除配件前、調整或變更設定前或進行修理時關閉工具並斷開電源。**請確保觸發開關處於關閉 (OFF) 位置。意外啟動工具可能會造成傷害。

本機器不是使用者可檢修的裝置。在使用大約 150 小時後，請將工具送往 DeWALT 授權維修中心。如果在此之前工具發生任何問題請聯絡 DeWALT 授權維修中心。

## 電刷 (圖 3)

碳刷無法由使用者自行檢修。請將工具送往授權的 DeWALT 維修中心。

黃色電刷磨損 LED (s) 指示燈會在碳刷接近損壞時亮起。再使用 8 小時或在電刷完全磨損後，電機會自動關閉。

維修指示燈 (r) 亮起後，必須盡快對工具進行維護。



## 潤滑

本電動工具毋需額外潤滑。



## 清潔



**警告：**一旦通風口及其周圍積聚可見的塵埃，請立即使用乾燥的壓縮空氣吹掉主機外殼內的塵埃和灰塵。執行此步驟時，請佩戴經認可的護目裝備和防塵面罩。



**警告：**切勿使用溶劑或其他刺激性化學品來清潔工具的非金屬部件。這些化學品可能會削弱零件中使用的材料。只能使用抹布蘸中性肥皂水進行清潔。不要讓任何液體進入工具；不要讓工具的任何部分浸入液體中。

## 選購配件



**警告：**由於非 DeWALT 所提供的配件未在本產品上進行過使用測試，在本產品上使用這些配件可能會導致危險。為降低傷害危險，在本產品上只應使用 DeWALT 所推薦的配件。

您可選購不同種類的 SDS Max® 鑽頭以及鑿子。

如需進一步瞭解適用配件的相關資訊，請洽詢當地代理商。



## 保護環境



分類收集。本產品必須與一般家庭廢物分開處置。

若您發現您的 DeWALT 產品需要進行替換，或您已經不再需要使用這些產品，請不要將它們與家庭廢物一起處置。務必將本產品送往分類收集處。



分類收集用過的產品和包裝允許材料循環再生利用。重新使用循環利用的材料有助於防止環境污染，並減少原材料的需求。

當地法規可能要求由市政廢物回收點，或由向您出售新產品的經銷商來提供將電子產品與家庭廢物分類收集的服務。

DeWALT 提供設施收集和回收使用壽命結束的 DeWALT 產品。若要享受此項服務，請將產品送回任一授權維修中心，由其代表我們進行收集。

請根據本手冊上所提供地址與當地 DeWALT 辦事處聯絡，查詢離您最近的授權維修中心所在位置。您亦可瀏覽網站查詢 DeWALT 授權維修中心清單和售後服務及聯絡資料之詳細資訊，網址是：[www.2helpU.com](http://www.2helpU.com)。

**進口商：永安實業股份有限公司**

**地址：新北市三重區新北大道二段137號**

**電話：02-29994633**

# SDS MAX® 컴비네이션 및 치핑 햄머

## D25721, D25722, D25723, D25761, D25762, D25763, D25871

### 축하합니다!

DeWALT 공구를 선택해 주셔서 감사합니다. DeWALT는 오랜 경험과 제품 개발 및 혁신을 통해 전문 공구 사용자들이 인정하는 기업으로 자리잡아 왔습니다.

### 기술 데이터

		D25721	D25722	D25723	D25761	D25762	D25763	D25871
전압	V	220	220	220	220	220	220	220
종류		1	1	1	1	1	1	1
소비전력	W	1350	1400	1400	1500	1500	1500	1400
타격력	J	1.5-15	1.5-15	1.5-15	3-18	3-18	3-18	1.5-15
콘크리트에서 총 드릴 범위:								
슬리드 비트	mm	12-48	12-48	12-48	18-52	18-52	18-52	-
슬리드 비트	mm	40-115	40-125	40-125	40-150	40-150	40-150	-
콘크리트에서 최적의 드릴 범위:								
슬리드 비트	mm	25-40	25-45	25-45	28-48	28-48	28-48	-
치출 방향 선택		24	24	24	24	24	24	24
공구 홀더		SDS MAX®	SDS MAX®	SDS MAX®	SDS MAX®	SDS MAX®	SDS MAX®	SDS MAX®
무게	kg	8.7	9.1	9.1	9.9	9.9	9.9	8.0

### 정의: 안전 지침

다음 정의는 각 경고 문구의 심각도를 설명합니다. 사용 설명서를 읽고 다음 기호들에 유의하십시오.



**위험:** 임박한 위험 상태를 나타내며, 방지하지 않으면 **사망 또는 심각한 부상을 초래합니다.**



**경고:** 잠재적 위험 상태를 나타내며, 방지하지 않으면 **사망 또는 심각한 부상을 초래할 수 있습니다.**



**주의:** 잠재적으로 위험한 상태를 나타내며, 방지하지 않으면 **경미하거나 가벼운 부상을 초래할 수 있습니다.**

**참고:** 신체 부상을 초래하지 않는 행위를 나타내며 방지하지 않으면 **재산상의 손해가 발생할 수 있습니다.**



감전 위험을 나타냅니다.



화재 위험을 나타냅니다.

**경고:** 부상 위험을 줄이려면 사용 설명서를 숙지하십시오.

### 전동 공구에 관한 일반 안전 경고



**경고! 안전 경고와 지시사항을 모두 읽으십시오.** 경고와 지시 사항을 준수하지 않으면 감전, 화재 및/또는 심각한 부상을 초래할 수 있습니다.

**항후 참고할 수 있도록 모든 경고 및 지시 사항을 보관해두십시오.**

경고에서 사용된 "전동 공구"라는 용어는 주 공급 전원에 의해 전기가 공급되는(유선) 전동 공구 또는 충전식(무선) 전동 공구를 의미합니다.

#### 1) 작업장 안전

- 작업 영역을 청결하고 밝게 유지하십시오.** 혼잡하거나 어두운 작업장에서는 사고가 발생하기 쉽습니다.
- 가연성 액체, 가스 또는 먼지 등 폭발 가능성이 있는 환경에서 전동 공구를 사용하지 마십시오.** 전동 공구에서 먼지나 가스를 발화시킬 수 있는 불꽃이 될 수 있습니다
- 전동 공구로 작업하는 동안에는 어린이와 주변 사람들이 작업 영역에 가까이**

들어오지 못하도록 하십시오. 주변이  
산만해져 통제력을 잃을 수 있습니다.

## 2) 전기 안전

- a) **전동 공구의 플러그는 콘센트와 형식이 일치해야 합니다. 플러그를 어떤 방식으로든 절대 개조하지 마십시오. 접지된(지면 접지) 전동 공구에 어떤 어댑터 플러그도 사용하지 마십시오.** 개조되지 않은 플러그 및 형식이 일치하는 콘센트를 사용하면 감전 위험이 줄어듭니다.
- b) **파이프, 라디에이터, 렌치 및 냉장고 등과 같이 접지된 표면에 몸이 닿지 않도록 하십시오.** 신체가 접지되어 있으면 감전 위험이 높아집니다.
- c) **전동 공구를 비 또는 습한 환경에 노출하지 않도록 주의하십시오.** 전동 공구에 물이 들어가면 감전 위험이 높아집니다.
- d) **코드를 함부로 다루지 마십시오. 코드를 사용하여 전동 공구를 운반하거나 잡아당기거나 플러그를 뽑지 마십시오.** 열, 오일, 날카로운 모서리 또는 움직이는 부품에서 멀리 떨어진 장소에 코드를 보관하십시오. 코드가 손상되거나 얽혀 있으면 감전 위험이 높아집니다.
- e) **전동 공구를 실외에서 사용할 때는 실외 사용에 적합한 연장 코드를 사용하십시오.** 실외 사용에 적합한 코드를 사용하면 감전 위험이 줄어듭니다.
- f) **어쩔 수 없이 습한 장소에서 전동 공구를 사용해야 하는 경우에는 누전 차단기(RCD)로 보호된 전원 공급 장치를 사용하십시오.** RCD를 사용하면 감전 위험이 줄어듭니다.

## 3) 신체 안전

- a) **전동 공구로 작업할 때는 방심하지 말고 작업에 주의하면서 상식에 따르십시오.** 피곤한 상태이거나 약물, 술, 치료제를 복용한 상태에서는 전동 공구를 사용하지 마십시오. 전동 공구를 사용하는 중에 주의력을 잃어 순간적으로 부상을 당할 수 있습니다.
- b) **신체 보호 장비를 착용하십시오. 항상 보안경을 착용하십시오.** 적절한 상황에서 방진 마스크, 미끄럼 방지 안전화, 안전모 또는 청력 보호 기구 등의 보호 장비를 사용하면 신체 부상 위험이 줄어듭니다.
- c) **갑작스러운 장비 가동을 방지하십시오.** 전원 및/또는 배터리 팩에 연결한 상태로 공구를 선택 또는 운반할 때는 사전에

스위치가 꺼짐 위치에 있는지 반드시 **확인하십시오.** 스위치가 켜짐 위치에 있는 상태에서 스위치에 손가락이 닿은 상태로 전동 공구를 운반하거나 전동 공구에 전원을 공급하면 사고가 발생합니다.

- d) **전동 공구를 켜기 전에 모든 조정 키 또는 렌치를 제거하십시오.** 전동 공구의 회전 부품에 렌치나 키가 부착되어 있으면 부상을 당할 수 있습니다.
- e) **무리하게 팔을 뻗지 마십시오. 항상 올바른 자세로 서서 균형을 유지하십시오.** 그러면 예기치 않은 상황에서의 전동 공구 제어 능력이 향상됩니다.
- f) **적절한 의복을 착용하십시오. 헐렁한 옷이나 장신구를 착용하지 마십시오.** 머리카락, 옷 및 장갑이 움직이는 부품에 닿지 않도록 유의하십시오. 헐렁한 옷, 장신구 또는 긴 머리가 움직이는 부품에 걸 수 있습니다.
- g) **먼지 배출 및 집진 시설 연결을 위한 장치가 제공된 경우, 이들 장치가 연결되어 적절히 사용되고 있는지 반드시 확인하십시오.** 집진 장치를 사용하면 먼지와 관련된 위험을 줄일 수 있습니다.

## 4) 전동 공구 사용 및 관리

- a) **전동 공구에 무리한 힘을 가하지 마십시오. 해당 용도에 맞는 올바른 전동 공구를 사용하십시오.** 올바른 전동 공구를 사용해야 설계된 속도로 작업을 더욱 안전하고 정확하게 수행할 수 있습니다.
- b) **스위치 켜짐/꺼짐이 되지 않는 전동 공구는 사용하지 마십시오.** 스위치로 제어되지 않는 전동 공구는 위험하며 수리해야 합니다.
- c) **전동 공구를 조정하거나 액세서리를 변경하거나 보관하기 전에 전원 및/또는 배터리 팩에서 플러그를 빼십시오.** 이러한 예방적 안전 조치를 따라야 전동 공구가 갑자기 작동할 위험이 줄어듭니다.
- d) **사용하지 않는 전동 공구는 어린이의 손이 닿지 않는 곳에 보관하고, 전동 공구나 본지시 사항에 익숙하지 않은 사람이 전동 공구를 절대 사용하지 못하게 하십시오.** 전동 공구는 훈련을 받지 않은 사용자가 다루면 위험합니다.
- e) **전동 공구 유지 보수. 움직이는 부품의 잘못된 정렬이나 바인딩, 부품 파손 및 기타 전동 공구의 작동에 영향을 미칠 수 있는 기타 모든 상태를 확인하십시오.**

손상된 부분이 있는 경우 사용하기 전에 전동 공구를 수리하십시오. 많은 사고는 전동 공구를 제대로 유지 보수하지 않아 발생합니다.

- f) 절단 공구를 예리하고 깨끗한 상태로 유지하십시오. 절단석 가장자리를 예리하게 잘 유지하면 절단기를 사용할 때 바인딩이 적고 다루기가 용이합니다.
- g) 작업 환경과 수행할 작업을 고려하여, 본 지시 사항에 따라 전동 공구, 액세서리 및 톨 비트 등을 사용하십시오. 본 사용 설명서의 내용과 다른 용도로 전동 공구를 사용하면 위험한 상황이 발생할 수 있습니다.

5) 정비

- a) 자격을 갖춘 기술자가 동일 교체 부품을 사용하여 정비 작업을 수행해야 합니다. 그래야 전동 공구의 안전이 보장됩니다.

로타리 햄머 관련 추가 안전 지시 사항

- 귀 보호 장구를 착용하십시오. 소음에 노출되면 청력이 손상될 수 있습니다.
- 보조 핸들,(공구와 함께 제공된 경우)을 사용하십시오. 제어력을 잃으면 신체 부상을 당할 수 있습니다.
- 절삭 액세서리가 숨겨진 배선 또는 자체 코드에 접촉할 수 있는 작업을 수행할 때는 절연된 손잡이 표면만 닿도록 하여 전동 공구를 잡으십시오. "전류가 흐르는" 전선에 접촉된 절삭 액세서리는 전동 공구의 노출된 금속 부품을 "전류가 흐르는" 상태로 만들어 작업자를 감전시킬 수 있습니다.

기타 발생 가능한 위험

로타리 및 치핑 햄머 사용 시 다음과 같은 위험이 따를 수 있습니다.

- 공구의 회전부를 만지거나 가열된 부위에 닿아 발생한 부상.

관련된 안전 규정을 준수하고 안전 장치를 사용한다고 해도 특정한 위험은 피할 수 없습니다. 이러한 위험은 다음과 같습니다.

- 청력 손상.
- 액세서리 교체 시 손가락이 눌리는 위험
- 콘크리트 및/또는 석재 작업 시 발생하는 먼지를 호흡하여 유발되는 건강 위해성

공구에 표시된 마크

공구에는 다음과 같은 그림이 있습니다.



사용하기 전에 사용 설명서를 숙독하십시오.



귀 보호 장구를 착용하십시오.



보안경을 착용하십시오.



클러치 설정 40 Nm는 대부분의 드릴 작업용으로 고안되었습니다.



클러치 설정 80 Nm는 더 높은 토크 작업용으로 고안되었습니다.



빨간색 서비스 표시기 LED. 자세한 설명은 서비스 표시기 LED를 참조하십시오.



노란색 서비스 표시기 LED. 자세한 설명은 서비스 표시기 LED를 참조하십시오.

날짜 코드 위치(그림 1)

날짜 코드(w)에는 제조년도가 포함되며 케이스에 인쇄되어 있습니다.

예:

2014 XX XX

제조년도

포장 내용물

포장에는 다음 내용물이 들어 있습니다.

- 1 로타리 햄머 (D25721, D25722, D25723, D25761, D25762, D25763)
- 또는
- 1 치핑 햄머(D25871)
- 1 사이드 핸들
- 1 공구박스(K 모델만 해당)
- 1 뾰족한 치즐(D25871만 해당)
- 1 사용 설명서

- 운반 중에 발생할 수 있는 공구, 부품 또는 액세서리의 손상 여부를 확인하십시오.
- 작동 전에 시간을 내어 본 사용 설명서를 읽고 숙지하십시오.

## 설명(그림 1A, 1B, 2A, 2B)



**경고:** 전동 공구 또는 전동 공구의 어떤 부품도 절대 개조하지 마십시오. 제품이 파손되거나 신체 부상을 당할 수도 있습니다.

- 트리거 스위치(D25721, D25722, D25723, D25761, D25762, D25763)  
온/오프 로커 스위치(D25871)
- 잠금 슬라이더(D25721, D25722, D25723, D25761, D25762, D25763)
- 사이드 핸들
- 주 핸들
- 능동 진동 제어 장치
- 모드 선택기 스위치
- 전자 속도 및 임팩트 제어 다이얼
- 클램프 휠

  - 사이드 핸들 클램프
  - 강철 링
  - 부시
  - 공구 홀더

- 핀
- 칼라
- 록킹 슬리브
- 사이드 핸들 노브

### 용도

#### D25721, D25722, D25723, D25761, D25762, D25763

로타리 햄머는 전문적인 로타리 드릴 및 파쇄 작업에 사용할 수 있도록 설계되었습니다.

#### D25871

치핑 햄머는 전문적인 치핑, 치즐링 및 파피 작업에 사용할 수 있도록 설계되었습니다.

## 습한 환경이나 가연성 액체 또는 가스가 있는 장소에서 사용하지 마십시오.

이 햄머는 전문적인 전동 공구입니다.

**어린이가 이 공구를 만지지 않도록** 하십시오. 경험이 없는 작업자가 이 공구를 사용할 때는 감독자의 지도가 필요합니다.

- 본 제품은 안전 책임을 맡고 있는 사람이 감독을 하고 있지 않는 한 경험, 지식 또는 기술이 부족하고 신체적, 감각적 또는 정신적 능력이 미약한 사람(어린이 포함)이 사용하도록 고안된 것이 아닙니다. 이 제품과 함께 어린이만 혼자 두어서는 안됩니다.

## 소프트 스타트 기능

#### D25722, D25723, D25761, D25762, D25763

소프트 스타트 기능을 통해 공구를 천천히 가속할 수 있으므로, 시작할 때 드릴 비트가 의도한 구멍 위치에서 이탈하는 것을 방지해 줍니다.

또한 소프트 스타트 기능은 햄머가 기존의 구멍에서 드릴 비트로 시작할 경우 기어 및 작업자에 전달되는 직접적인 토크 반발력을 줄여 줍니다.

## 전자 속도 및 임팩트 제어 (그림 1, 3)

전자 속도 및 임팩트 제어 장치(g)는 다음과 같은 이점을 제공합니다.

- 파손 위험이 없는 더 작은 액세서리 사용
- 약하거나 부서지기 쉬운 자재를 치즐링하거나 드릴할 때 파손을 최소화함
- 정확한 치즐링을 위한 최적의 공구 제어.

## 토크 제한 클러치



**경고:** 작동 시 사용자는 항상 공구를 단단히 잡고 있어야 합니다.

토크 제한 클러치는 드릴 비트가 움직이지 않는 경우 작업자에 전송되는 최대 토크 반작용을 줄여줍니다. 이 기능 또한 전동 장치와 전기 모터가 꺼지지 않도록 방지합니다.

**참고:** 항상 토크 제어 설정을 변경하기 전에 도구를 끄십시오. 그렇지 않으면 공구가 손상될 수 있습니다.

### CTC (COMPLETE TORQUE CONTROL) (그림 3)

D25722/D25761/D25762

CTC (Complete Torque Control)는 사용자에게 조절 가능한 토크 옵션으로 2단계 기계식 클러치를 제공합니다. 토크를 조절하면 다양한 작업에 대해 제어력을 높여줍니다.

낮은 설정(40 Nm)은 다양한 솔리드 드릴 작업에 대해 제어력을 높이면서 낮은 토크 레벨에서 공구 조작을 가능하게 합니다. 높은 설정(80 Nm)은 코어 드릴 및 큰 직경의 솔리드 비트 사용 등 더 복잡한 작업에 사용할 수 있습니다.

자세한 내용은 **2단계 기계식 클러치 설정을** 참조하십시오.

### UTC (ULTIMATE TORQUE CONTROL)

D25723/D25763

2단계 기계식 클러치 외에, UTC (Ultimate Torque Control)는 사용자가 햄머를 제어하지 못하는 경우 이를 감지할 수 있는 회전 방지 기술(탐재되어 있음)을 통해 사용자 편의와 안전을 높여줍니다. 걸림이 감지되는 경우 토크 및 속도가 즉시 감소됩니다. 이 기능은 공구의 자체 회전을 방지하여 손목 부상의 발생을 줄여줍니다.

### 서비스 표시기 LED (그림 3)

노란색 브러시웨어 표시기 LED (s)는 카본 브러시가 거의 마모되었을 때 다음 8시간의 사용 이내에 공구 정비가 필요함을 나타내기 위해 점등됩니다.

D25721, D25722, D25723, D25761, D25762, D25763

빨간색 서비스 표시기 LED (r)는 잠금 버튼(b)이 치핑 모드를 제외한 모드에서 사용되는 경우 점등됩니다. UTC (Ultimate Torque Control)가 장착된 모델에서는, 빨간색 LED 표시기(r)는 회전 방지 장치가 작동되는 경우 점등됩니다. 빨간색 표시기는 공구에 결함이 있거나 브러시가 완전히 마모된 경우 점멸하기 시작합니다(유지보수 하의 브러시를 참조하십시오).

D25871

빨간색 서비스 표시기 LED (r)는 공구에 결함이 있거나 브러시가 완전히 마모된 경우에 점등됩니다 (유지보수 하의 브러시를 참조하십시오).

### 완전히 진동을 약화시키는 주 핸들(그림 1)

주 핸들(d)의 조절판이 사용자에게 전달되는 진동을 흡수합니다. 이 기능이 작업하는 동안 사용자의 편의를 높여줍니다.

## 전기 안전

전기 모터는 한 가지 전압에만 맞추어 설계되었습니다. 전원이 전동기 네임 플레이트에 기재된 전압과 일치하는지 항상 확인하십시오.



DEWALT 공구는 IEC 60745에 따라 이중 절연되어 있으므로, 접지선이 필요하지 않습니다.



**경고:** 115 V 기기는 1차 권선과 2차 권선 사이에 접지판이 있는 페일 셰이프 절연 변압기를 통해 작동되어야 합니다.

전원 코드가 손상된 경우에는 DEWALT 서비스 센터를 통해 특수 제작된 코드로 교체해야만 합니다.

## 연장 케이블 이용

연장 케이블이 필요할 경우 이 공구의 소비전력에 맞는 승인된 3 코어 연장 케이블을 사용하십시오 (기술 데이터 참조). 최소 도체 크기는 1.5 mm<sup>2</sup>, 최대 길이는 30 m입니다.

케이블 릴을 사용할 때는 항상 케이블을 완전히 푸십시오.

## 조립 및 조정



**경고:** 액세서리를 설치 및 제거하기 전, 설정 상태를 조정하거나 변경하기 전, 또는 수리 시 부상의 위험을 줄이려면 장치를 끄고 전원에서부터의 연결을 차단하십시오. 트리거 스위치가 꺼짐 위치에 있는지 반드시 확인하십시오. 공구가 갑자기 작동하여 부상을 당할 수 있습니다.



**경고:** 공구 비트가 뜨거울 수 있으므로 부상당하지 않으려면 교환하거나 분리할 때 장갑을 착용해야 합니다.

## 사이드 핸들 조립 및 장착(그림 2A, 2B)

사이드 핸들(d)은 장비 양쪽에 장착할 수 있어 오른손 및 왼손잡이 사용자 모두에 맞출 수 있습니다.



**경고:** 항상 사이드 핸들을 올바르게 조립된 상태에서 공구를 작동하십시오.

**D25721, D25722, D25723, D25761, D25762, D25763****전면 위치에 장착(그림 2A)**

1. 강철 링(j)을 공구 홀더 뒤의 칼라(n) 위에 고정합니다. 양쪽 끝을 함께 당기고, 부시(k)를 장착하고 핀(m)을 끼웁니다.

2. 사이드 핸들 클램프(i)를 놓고 클램프 휠(h)의 나사를 조입니다. 조이지 마십시오.



**경고:** 조립했으면 사이드 핸들을 절대로 분리해서는 안됩니다.

3. 사이드 핸들(c)을 부시(k)와 클램프 휠에 나사로 조입니다. 단단히 조입니다.

4. 사이드 핸들 장착 어셈블리를 원하는 위치로 돌립니다. 무거운 드릴 비트를 사용하여 수평으로 드릴하는 경우, 최적의 제어를 위해 사이드 핸들을 약 20°의 각도로 놓을 것을 권장합니다.

5. 클램프 휠(h)을 조여서 사이드 핸들 장착 어셈블리를 제자리에 잠급니다.

**D25871 (그림 2B)**

1. 사이드 핸들 노브(p)의 나사를 풀니다.

2. 사이드 핸들 어셈블리를 기기 위로 밀어서 강철 링(j)이 장착 영역(y)에 위치하도록 합니다. 사이드 핸들의 정확한 위치는 튜브의 위쪽과 중간 지점 사이입니다.

3. 사이드 핸들(c)을 원하는 각도로 조정합니다.

4. 사이드 핸들을 원하는 위치로 움직여서 돌립니다.

5. 노브(p)를 조여서 사이드 핸들을 제자리에 잠급니다.

**SDS Max® 액세서리 삽입 및 제거 (그림 1, 4A, 4B)**

본 기기는 SDS Max® 비트 및 치줄을 사용합니다 (SDS Max® 비트 샹크의 단면도는 그림 4B의 삽입도를 참조하십시오).

1. 비트 샹크를 청소합니다.
2. 록킹 슬리브(o)를 뒤로 당기고 비트 샹크를 삽입합니다.
3. 슬리브가 제자리에 고정될 때까지 비트를 약간 돌립니다.
4. 비트를 잡아 당겨 제대로 잠겼는지 확인하십시오. 햄머 기능을 사용하려면 공구 홀더에 잠겨 있을 때 비트를 축 방향으로 몇 센티미터 이동할 수 있어야 합니다.

5. 비트를 제거하려면 공구 홀더 록킹 슬리브/칼라(o)를 뒤로 당겨 비트를 공구 홀더(i)에서 뺍니다.

**작동 모드 선택 (그림 1)**

**햄머드릴:**

**D25721, D25722, D25723, D25761, D25762, D25763**

콘크리트, 벽돌, 돌 및 석재 드릴 작업 시.



**햄머 전용:**

치줄링 및 파피 용도. 이 모드에서는 팍 끼인 드릴 비트를 풀기 위해 공구를 레버로 사용할 수도 있습니다.

1. 작동 모드를 선택하려면, 모드 선택기 스위치(f)를 필요한 모드의 기호를 가리킬 때까지 돌립니다.

모드 선택기 스위치(f)가 0 위치를 통과할 수 있도록 공구 홀더(i)를 약간 구부려야 할 수 있습니다.

2. 모드 선택기 스위치(f)가 제자리에 잠겼는지 확인합니다.

**치줄 위치 표시 (그림 5)**

치줄은 24개의 다양한 위치로 표시하고 잠글 수 있습니다.

1. 0 위치 쪽을 가리킬 때까지 모드 선택기 스위치(f)를 돌립니다.
2. 치줄을 원하는 위치로 돌립니다.
3. 모드 선택기 스위치(f)를 “햄머 전용” 위치로 설정합니다.
4. 치줄이 제자리에서 잠길 때까지 비틀어 돌립니다.

**전자 속도 및 임팩트 제어 다이얼 설정(그림 1, 3)**

다이얼(g)을 원하는 레벨로 돌립니다. 속도를 더 높이려면 다이얼을 위쪽으로, 속도를 더 낮추려면 아래쪽으로 돌립니다. 필요한 설정은 경험에 달려 있습니다. 예를 들어,

- 약하고, 부서지기 쉬운 재재를 치줄하거나 드릴할 때 또는 최소한의 분쇄가 필요할 때는 다이얼을 낮은 설정으로 설정하고,
- 더 딱딱한 재질을 부수거나 드릴할 때는 다이얼을 높은 설정으로 설정합니다.

## 2단계 기계식 클러치 설정(그림 3)

D25722, D25723, D25761, D25762, D25763

**참고:** 토크 제어 설정을 변경하기 전에 항상 공구를 고십시오. 그렇지 않으면 공구가 손상될 수 있습니다.

작업 시 필요에 따라 토크 제어 레버(t)를 설정 40 Nm 또는 80 Nm으로 옮깁니다.

- 클러치 설정 40 Nm (u)는 대부분의 드릴 작업용으로 설계되었고 드릴 비트가 강철봉 또는 기타 이물질에 만날 때 쉽게 팍 조일 수 있도록 설계되었습니다.
- 클러치 설정 80 Nm (v)는 코어 비트 및 깊은 구멍 드릴 등 더 높은 토크 작업용으로 설계되었고 더 높은 토크 임계값에서 조일 수 있도록 설계되었습니다.

**참고:** 위치 80 Nm을 선택할 수 없는 경우, 부하 하에서 장치를 작동하고 다시 시도하십시오.

공구의 플러그를 콧 때마다 자동으로 클러치 설정 1이 클러치 설정 40 Nm (u) (가장 민감한 설정)으로 바뀝니다.

## 조작

### 사용 지침



**경고:** 안전 지시 사항과 해당 규정을 항상 준수하십시오.



**경고:** 액세서리를 설치 및 제거하기 전, 설정 상태를 조정하거나 변경하기 전, 또는 수리 시 부상의 위험을 줄이려면 장치를 끄고 전원에서부터의 연결을 차단하십시오. 트리거 스위치가 꺼짐 위치에 있는지 반드시 확인하십시오. 공구가 갑자기 작동하여 부상을 당할 수 있습니다.



**경고:** 공구 비트가 뜨거울 수 있으므로 부상당하지 않으려면 교환하거나 분리할 때 장갑을 착용해야 합니다.



**경고:**

- 파이프 구조 및 배선 위치를 알아 두십시오.
- 공구에 적당한 압력만 가하십시오(약 20 kg). 과도한 힘을 가하면 드릴 속도가 올라가지 않고 공구 성능이 감소하고 공구 수명이 단축될 수 있습니다.

- 항상 공구를 양손으로 단단히 잡고 안정된 자세를 취하십시오. 항상 사이드 핸들을 올바르게 조립된 상태에서 공구를 작동하십시오.

**참고:** 작동 온도는 -7° ~ +40° C (19° ~ 104° F)입니다. 이 온도 범위 밖에서 공구를 사용하면 공구 수명이 단축됩니다.

## 올바른 손의 위치(그림 6)



**경고:** 심각한 신체 부상의 위험을 줄이려면, 항상 그림과 같이 올바르게 손을 위치하십시오.



**경고:** 심각한 신체 부상의 위험을 줄이려면, 항상 급작스러운 반동을 예상하고 확실하게 잡으십시오.

올바른 손의 위치가 되려면 한 손은 사이드 핸들(c)을 잡고, 다른 손은 주 핸들(d)을 잡습니다.

## 전원 켜기 및 끄기(그림 1)

D25721, D25722, D25723, D25761, D25762, D25763

공구를 켜려면 트리거 스위치(a)를 누릅니다.

공구를 정지하려면, 트리거 스위치를 놓습니다.

D25721, D25722, D25723, D25761, D25762, D25763

치출링 모드에서만 잠금 슬라이더(b)를 통해 트리거 스위치(a)를 잠글 수 있습니다. 드릴 모드에서 잠금 버튼이 작동되는 경우, 공구가 자동으로 꺼집니다.

공구를 켜려면 트리거 스위치(a)를 누릅니다.

공구를 멈추려면 스위치를 풀어 줍니다.

연속 작동시키려면 스위치(a)를 누른 상태에서 잠금 버튼(b)을 위로 민 다음 스위치를 놓습니다

공구의 연속 작동을 멈추려면 스위치를 짧게 눌렀다 놓습니다. 작업이 끝나면 플러그를 빼기 전에 항상 공구 스위치를 꺼짐 위치로 놓습니다.

D25871

공구를 켜려면, 트리거 하부 부분에서 on/off 잠금 스위치(a)를 누릅니다.

공구를 정지하려면, 트리거 상부에서 on/ off 잠금 스위치를 누릅니다.

## 햄머드릴

공구를 켜려면 on/off 스위치(a)를 누릅니다.

공구를 멈추려면 스위치를 풀어 줍니다.



## 슬리드 비트로 드릴(그림 1)

D25721, D25722, D25723, D25761, D25762, D25763

1. 해당 드릴 비트를 삽입합니다.
2. 모드 선택기 스위치(℥)를 햄머 드릴 위치로 설정합니다.
3. 전자 속도 및 임팩트 제어 다이얼 (g) 설정
4. 사이드 핸들(c)을 장착 및 조정합니다.
5. 드릴 작업을 할 구멍의 지점을 표시합니다.
6. 드릴 비트를 그 지점에 놓고 공구의 전원 스위치를 켭니다.
7. 작업이 끝나면 플러그를 빼기 전에 항상 공구 스위치를 꺼짐 위치로 놓습니다.

## 코어 비트로 드릴(그림 1)

1. 해당 코어 비트를 끼웁니다.
2. 센터드릴을 코어 비트에 조립합니다.
3. 모드 선택기 스위치(℥)를 햄머 드릴 위치로 설정합니다.
4. 전자 속도 및 임팩트 제어 다이얼(g)을 중간 속도 또는 고속 설정으로 돌립니다.
5. 사이드 핸들(c)을 장착 및 조정합니다.
6. 센터드릴을 제 위치에 놓고 공구 스위치를 켭니다. 중심이 콘크리트 약 1 cm까지 뚫고 들어갈 때까지 드릴합니다.
7. 공구를 정지하고 센터드릴을 제거합니다. 코어 비트를 다시 구멍에 넣고 드릴을 계속합니다.
8. 코어 비트 길이보다 더 두껍게 구조물을 드릴할 때, 콘크리트의 둥근 원통 또는 비트 안쪽의 코어를 일정한 간격으로 절단합니다. 구멍 주변에서 콘크리트가 이탈하지 않도록 하려면, 먼저 구조물을 통해 센터 드릴의 직경으로 구멍을 드릴합니다. 그런 다음 각 면에서 중간 지점까지 중심 구멍을 뚫습니다.
9. 작업이 끝나면 플러그를 빼기 전에 항상 공구 스위치를 꺼짐 위치로 놓습니다.

## 치핑 및 치즐링(그림 1)

1. 해당 치즐을 삽입하고 24개의 위치 중 하나에 고정될 수 있도록 손으로 돌립니다.
2. 모드 선택기 스위치(℥)를 햄머 전용 위치로 설정합니다.
3. 전자 속도 및 임팩트 제어 다이얼 (g) 설정
4. 사이드 핸들(c)을 장착 및 조정합니다.

5. 공구를 켜고 작업을 시작합니다.
6. 작업이 끝나면 플러그를 빼기 전에 항상 공구 스위치를 꺼짐 위치로 놓습니다.

## 유지 보수

DeWALT 전동 공구는 최소한의 유지 보수로 장기간에 걸쳐 작업이 가능하도록 설계되어 있습니다. 만족스러운 연속 작동은 적절한 공구 관리와 정기적인 청소에 따라 그 성능이 달라질 수 있습니다.



**경고: 액세서리를 설치 및 제거하기 전, 설정 상태를 조정하거나 변경하기 전, 또는 수리 시 부상의 위험을 줄이려면 장치를 끄고 전원으로부터의 연결을 차단하십시오.** 트리거 스위치가 꺼짐 위치에 있는지 반드시 확인하십시오. 공구가 갑자기 작동하여 부상을 당할 수 있습니다.

본 공구는 사용자가 수리할 수 없습니다. 약 150 시간 사용 후에는 공인 DeWALT 수리 대리점에 수리를 의뢰하십시오. 이 시간 이전에 문제가 발생할 경우 공인 DeWALT 수리 대리점에 문의하십시오.

## 브러시(그림 3)

카본 브러시는 사용자가 수리할 수 없습니다. 공인 DeWALT 수리점에 수리를 의뢰하십시오.

카본 브러시가 거의 마모되면 노란색 브러시웨어 표시기 LED (s)가 점등됩니다. 추가 8시간 사용 후 또는 브러시가 완전히 마모되면 모터가 자동으로 차단됩니다.

공구 유지보수는 서비스 표시기(℥)이 점등되는 즉시 실시해야 합니다.



## 윤활방법

전동 공구는 별도의 윤활 작업이 필요하지 않습니다.



## 청소



**경고:** 통풍구 속이나 주변에 먼지가 쌓여있는 것이 보이면 가능한 한 자주 건조한 공기를 이용하여 몸체에서

먼지를 불어내십시오. 이 절차를 수행할 때에는 승인된 눈 보호 장구 및 승인된 방진 마스크를 착용하십시오.



**경고:** 공구의 금속 이외의 부품을 청소할 때는 용제 등의 강력한 화학약품을 절대 사용하지 마십시오. 그렇지 않으면 이러한 부분에 사용된 재료가 약해질 수 있습니다. 형겅에 물과 순한 비누를 적셔 닦아주십시오. 공구 내부에 액체를 넣거나 공구 부품을 액체에 담그는 행동은 절대 금물입니다.

본 사용 설명서에 기재된 연락처로 가까운 DEWALT 영업소에 연락하면 가까운 공인 수리 대리점 위치를 확인할 수 있습니다. 또는 다음 웹 사이트를 방문하여 DEWALT 수리 지정점 목록과 A/S 및 연락처 등 자세한 정보를 찾아볼 수 있습니다.

[www.dewalt.co.kr](http://www.dewalt.co.kr)

## 선택 액세서리



**경고:** DEWALT에서 제공되지 않은 액세서리는 이 제품에 테스트되지 않았으므로, 그러한 액세서리를 이 공구와 함께 사용하면 위험할 수 있습니다. 부상의 위험을 줄이려면, DEWALT에서 권장하는 액세서리만 이 제품에 사용해야 합니다.

다양한 종류의 SDS Max® 드릴 비트 및 치즐을 옵션으로 사용할 수 있습니다.

해당 액세서리에 대한 자세한 정보는 판매 대리점으로 문의하십시오.

## 환경 보호



분리 수거. 본 제품을 일반 가정용 쓰레기로 처리하면 안됩니다.

DEWALT 제품을 교체해야 하거나 더 이상 쓸모가 없어졌다고 판단될 때는 본 제품을 가정용 쓰레기와 함께 처리하지 마십시오. 이 제품은 분리 수거하십시오.



사용하던 제품과 포장을 분리 수거하면 자원을 재활용 및 재사용할 수 있습니다. 재활용 자원을 이용하면 환경 오염이 방지되고 고철 자원에 대한 수 있습니다.

지역에 따라 가정용 가전제품을 분리 수거하는 규정이 마련되어 있거나 새로운 제품을 구입할 때 판매점에서 폐기 방법을 알려줄 수 있습니다.

DEWALT는 사용이 끝난 DEWALT 제품을 수집하여 재활용하기 위한 시설을 운영하고 있습니다. 이 서비스를 활용하려면 당사가 폐제품 수거를 위임한 공인 수리 대리점에 제품을 반환해 주십시오.

# สว่านเจาะกระแทกและเจาะสกัด SDS MAX®

## D25721, D25722, D25723, D25761, D25762, D25763, D25871

### ขอแสดงความยินดี!

คุณได้เลือกใช้เครื่องมือ DEWALT ด้วยประสบการณ์หลายปีที่ผ่านมาในการพัฒนาผลิตภัณฑ์และนวัตกรรมใหม่ ๆ ทำให้ DEWALT เป็นหนึ่งในเครื่องมือไฟฟ้าที่นำเชื่อถือที่สุดสำหรับผู้ใช้เครื่องมือไฟฟ้าระดับมืออาชีพ

### ข้อมูลด้านเทคนิค

		D25721	D25722	D25723	D25761	D25762	D25763	D25871
แรงดันไฟฟ้า	โวลต์	220-240	220-240	220-240	220-240	220-240	220-240	220-240
ชนิด		1	1	1	1	1	1	1
กำลังไฟเข้า	วัตต์	1350	1400	1400	1500	1500	1500	1400
แรงกระแทก	J 1.5-15	1.5-15	1.5-15		3-18	3-18	3-18	1.5-15
ระยะการเจาะเข้าคอนกรีต:								
ดอกสว่าน	มม.	12-48	12-48	12-48	18-52	18-52	18-52	-
ดอกคอรูริง	มม.	40-115	40-125	40-125	40-150	40-150	40-150	-
ระยะการเจาะเข้าคอนกรีตที่เหมาะสมที่สุด:								
ดอกสว่าน	มม.	25-40	25-45	25-45	28-48	28-48	28-48	-
ตำแหน่งดอกสกัด		24	24	24	24	24	24	24
หัวจับดอกสว่าน		SDS Max®	SDS Max®	SDS Max®	SDS Max®	SDS Max®	SDS Max®	SDS Max®
น้ำหนัก	กก.	8.7	9.1	9.1	9.9	9.9	9.9	8.0

### คำจำกัดความ:

#### ข้อแนะนำด้านความปลอดภัย

คำจำกัดความด้านล่างอธิบายถึงระดับความรุนแรงของคำแต่ละคำที่ใช้เรียกสัญลักษณ์ต่าง ๆ โปรดอ่านคู่มือและใส่ใจกับสัญลักษณ์เหล่านี้



**อันตราย:** หมายถึงสถานการณ์ที่ก่อให้เกิดอันตรายได้อย่างฉับพลัน ซึ่งหากไม่ระวังจะทำให้เสียชีวิตหรือบาดเจ็บสาหัสได้



**คำเตือน:** หมายถึงสถานการณ์ที่มีแนวโน้มว่าจะก่อให้เกิดอันตราย ซึ่งหากไม่ระวังสามารถทำให้เกิดอันตรายถึงชีวิตหรือบาดเจ็บสาหัสได้



**ข้อควรระวัง:** หมายถึงสถานการณ์ที่มีแนวโน้มว่าจะก่อให้เกิดอันตราย ซึ่งถ้าไม่ระวัง อาจทำให้ได้รับบาดเจ็บเล็กน้อยหรือปานกลาง

**ข้อสังเกต:** หมายถึงการปฏิบัติที่ไม่ส่งผล

**ให้บุคคลได้รับบาดเจ็บ** แต่หากไม่ระวัง อาจทำให้ทรัพย์สินได้รับความเสียหายได้



แสดงถึงอันตรายจากการถูกไฟฟ้าช็อต



แสดงถึงอันตรายจากการเกิดเพลิงไหม้



**คำเตือน:** เพื่อลดความเสี่ยงจากการบาดเจ็บ โปรดอ่านคู่มือการใช้งานเล่มนี้

### คำเตือนเพื่อความปลอดภัยทั่วไปสำหรับการใช้เครื่องมือไฟฟ้า



**คำเตือน! โปรดอ่านคำเตือนและข้อปฏิบัติเพื่อความปลอดภัยทั้งหมด** การไม่ปฏิบัติตามคำเตือนและข้อปฏิบัติเหล่านี้ อาจทำให้ถูกไฟฟ้าช็อต เกิดเพลิงไหม้ และ/หรือบาดเจ็บสาหัสได้

**โปรดเก็บรักษาคำเตือนและข้อปฏิบัติทั้งหมดนี้ไว้  
เพื่อการอ้างอิงในภายหลัง**

คำว่า “เครื่องมือไฟฟ้า” ในคำเตือน หมายถึง เครื่องมือไฟฟ้า (แบบมีสาย) ที่ทำงานผ่านแหล่งจ่ายไฟหลัก หรือ เครื่องมือไฟฟ้า (แบบไร้สาย) ที่ทำงานผ่านแบตเตอรี่

**1) ความปลอดภัยในบริเวณที่ทำงาน**

- ก) รักษาความสะอาดและจัดให้มีแสงสว่างเพียงพอในบริเวณที่ทำงาน บริเวณที่มีดหรือมีของวางระเกะระกะอาจทำให้เกิดอุบัติเหตุได้
- ข) ห้ามใช้เครื่องมือไฟฟ้าในบริเวณที่อาจเกิดการระเบิด เช่น เมื่อมีของเหลว แก๊ส หรือฝุ่นละอองที่ไวไฟ เครื่องมือไฟฟ้าจะทำให้เกิดประกายไฟที่อาจทำให้เกิดละอองไฟหรือเปลวไฟขึ้นได้
- ค) ระวังไม่ให้เด็กเล็กและคนเดินผ่านไปมาเข้าใกล้ในขณะที่ใช้งานเครื่องมือไฟฟ้า สิ่งรบกวนอาจทำให้คุณเสียสมาธิได้

**2) ความปลอดภัยทางไฟฟ้า**

- ก) ปลั๊กไฟของเครื่องต้องเป็นชนิดเดียวกับเต้ารับ ห้ามตัดแปลงปลั๊กไม่ว่าด้วยวิธีใด ห้ามใช้ปลั๊กอะแดปเตอร์ใด ๆ กับเครื่องมือไฟฟ้าที่ต่อสายดิน (ลงกราวด์) ปลั๊กที่ไม่มีการตัดแปลงและเต้ารับชนิดเดียวกันจะช่วยลดความเสี่ยงจากการถูกไฟฟ้าช็อต
- ข) หลีกเลี่ยงการสัมผัสพื้นผิวที่ต่อสายดินหรือลงกราวด์ เช่น ท่อ หม้อน้ำ เตาหุงต้ม และตู้เย็น มีความเสี่ยงเพิ่มขึ้นที่จะถูกไฟฟ้าช็อตหากร่างกายเป็นสื่อเชื่อมต่อกับดินหรือลงกราวด์
- ค) อย่าให้เครื่องมือไฟฟ้าถูกฝนหรือเปียกน้ำ น้ำที่เข้าเครื่องมือไฟฟ้าจะเพิ่มความเสี่ยงในการเกิดไฟฟ้าช็อต
- ง) ห้ามใช้สายไฟผิดวัตถุประสงค์ ห้ามใช้สายไฟเพื่อการหิ้ว ดึง หรือถอดปลั๊กเครื่องมือไฟฟ้า เก็บสายไฟให้พ้นจากความร้อน น้ำมัน ของมีคม หรือ ชิ้นส่วนที่กำลังเคลื่อนที่ สายไฟที่ชำรุดหรือพันกันเป็นการเพิ่มความเสี่ยงต่อการเกิดไฟฟ้าช็อต
- จ) เมื่อใช้เครื่องมือไฟฟ้านอกอาคาร ให้ใช้สายต่อพ่วงที่เหมาะสมสำหรับการใช้งานนอกอาคาร การใช้สายไฟที่เหมาะสมสำหรับการใช้งานนอกอาคารจะช่วยลดความเสี่ยงต่อการเกิดไฟฟ้าช็อต

- ฉ) หากไม่สามารถหลีกเลี่ยงการใช้เครื่องมือไฟฟ้าในบริเวณที่ชื้นและได้ ให้ใช้อุปกรณ์ป้องกันไฟฟ้าสะสม (RCD) การใช้ RCD จะเป็นการลดความเสี่ยงจากการถูกไฟฟ้าช็อต

**3) ความปลอดภัยส่วนบุคคล**

- ก) ตื่นตัวและมีสมาธิกับสิ่งที่คุณกำลังทำ รวมทั้งใช้สามัญสำนึกในขณะที่กำลังใช้งานเครื่องมือไฟฟ้า ห้ามใช้เครื่องมือไฟฟ้าในขณะที่ถูกกำลังเหนี่ยวหรือได้รับอิทธิพลจากยา แอลกอฮอล์ หรือการรักษาบางอย่าง การขาดความระมัดระวังในการใช้เครื่องมือไฟฟ้าแม้ช่วงขณะหนึ่งอาจทำให้บาดเจ็บสาหัสได้
- ข) ใช้อุปกรณ์คุ้มครองความปลอดภัยส่วนบุคคลสวมอุปกรณ์ป้องกันดวงตาเสมอ อุปกรณ์ป้องกัน เช่น หน้ากากกันฝุ่น รองเท้านิรภัยกันลื่น หมวกนิรภัย หรืออุปกรณ์ป้องกันเสียงดังสำหรับสภาพที่เหมาะสมจะช่วยลดอาการบาดเจ็บทางร่างกาย
- ค) ป้องกันเครื่องเปิดทำงานโดยไม่ตั้งใจ สวิตช์ต้องอยู่ในตำแหน่งปิดก่อนที่จะเสียบปลั๊กของเครื่องเข้ากับแหล่งจ่ายไฟ และ/หรือแบตเตอรี่ หรือก่อนยกหรือหิ้วเครื่องมือ การยกเครื่องมือไฟฟ้าในขณะที่นิ้วอยู่ที่สวิตช์ หรือใช้เครื่องมือไฟฟ้าที่สวิตช์เปิดอยู่ อาจทำให้เกิดอุบัติเหตุได้
- ง) ถอดกุญแจปรับตั้งหรือประแจออกก่อนเปิดสวิตช์เครื่องมือไฟฟ้า ประแจหรือกุญแจที่เสียบค้างอยู่ในชิ้นส่วนที่หมุนได้ของเครื่องมือไฟฟ้า อาจทำให้ได้รับบาดเจ็บได้
- จ) ห้ามยืนเขย่งเท้าขณะใช้เครื่อง ควรยืนในท่าที่เหมาะสมและสมดุลตลอดเวลา เพื่อช่วยในการควบคุมเครื่องมือไฟฟ้าได้อย่างขึ้นในสถานการณ์ที่ไม่คาดคิด
- ฉ) แต่งกายให้เหมาะสม ห้ามสวมเสื้อผ้าหลวมหรือใส่เครื่องประดับ รวบผม ชายเสื้อ และถุงมือให้ห่างจากชิ้นส่วนที่กำลังหมุน เสื้อผ้าที่หลวมหรือยาวรุ่มร่าม เครื่องประดับ หรือผมที่ยาวอาจเข้าไปพันกับชิ้นส่วนที่กำลังหมุน
- ช) หากมีอุปกรณ์สำหรับดูดและเก็บฝุ่น ต้องตรวจสอบให้แน่ใจว่าได้เชื่อมต่อและใช้งานอุปกรณ์นั้นอย่างเหมาะสม การใช้อุปกรณ์เก็บฝุ่นจะช่วยลดอันตรายที่เกี่ยวข้องกับฝุ่นได้

#### 4) การใช้และการดูแลรักษาเครื่องมือไฟฟ้า

- ก) ห้ามฝืนใช้เครื่องมือไฟฟ้า เลือกใช้เครื่องมือไฟฟ้าที่ถูกต้องตรงกับลักษณะการใช้งานของคุณ เครื่องมือไฟฟ้าที่ถูกต้องย่อมทำงานได้ดีกว่า และปลอดภัยกว่า เมื่อใช้งานตามพิกัดที่เครื่องมือได้รับการออกแบบมา
- ข) ห้ามใช้เครื่องมือไฟฟ้าถ้าสวิตช์เปิดปิดเครื่องไม่ทำงาน เครื่องมือไฟฟ้า ที่ไม่สามารถควบคุมผ่านสวิตช์ได้ ถือว่ามีอันตรายและต้องส่งซ่อม
- ค) ถอดปลั๊กของเครื่องมือไฟฟ้าออกจากแหล่งจ่ายไฟ และ/หรือ แบตเตอรี่ก่อนทำการปรับแต่ง เปลี่ยนอุปกรณ์เสริม หรือจัดเก็บมาตรการเพื่อความปลอดภัยเชิงป้องกันนี้จะช่วยลดความเสี่ยงในการเปิดเครื่องให้ทำงานโดยไม่ตั้งใจ
- ง) เก็บเครื่องมือไฟฟ้าที่ไม่ได้ใช้งานไว้ให้พ้นมือเด็ก และไมอนุญาตให้บุคคลที่ไม่คุ้นเคยกับเครื่องมือไฟฟ้าหรือข้อปฏิบัติเหล่านี้เป็นผู้ใช้เครื่องมือ เครื่องมือไฟฟ้าจะเป็นอันตรายหากอยู่ในมือผู้ใช้ที่ไม่มีควมชำนาญ
- จ) บำรุงรักษาเครื่องมือไฟฟ้า ตรวจสอบว่าชิ้นส่วนที่เคลื่อนที่ได้มีการวางไม่ตรงแนวหรือติดขัดหรือไม่ มีชิ้นส่วนที่แตกหัก และสภาพอื่นใดที่อาจส่งผลกระทบต่อการทำงานของเครื่องมือไฟฟ้าหรือไม่ หากชำรุดเสียหายให้นำเครื่องมือไปส่งซ่อมก่อนนำมาใช้ อุบัติเหตุจำนวนมากเกิดจากการดูแลรักษาเครื่องมือไฟฟ้าไม่ดีพอ
- ฉ) เครื่องมือตัดต้องคมและสะอาดอยู่เสมอ เครื่องมือตัดที่ได้รับการดูแลอย่างถูกต้อง และมีขอบตัดคม จะมีปัญหาติดขัดน้อย และควบคุมได้ง่ายกว่า
- ช) ใช้เครื่องมือไฟฟ้า อุปกรณ์เสริม และชุดอุปกรณ์ต่างๆ ให้สอดคล้องกับคำแนะนำเหล่านี้ โดยพิจารณาถึงสภาพการทำงาน และงานที่ทำเป็นสำคัญ การใช้เครื่องมือไฟฟ้าทำงานอื่นนอกเหนือจากที่กำหนดไว้อาจทำให้เกิดอันตรายได้

#### 5) การบริการ

- ก) ให้ช่างซ่อมที่มีความเชี่ยวชาญเป็นผู้ซ่อมเครื่องมือ และใช้อะไหล่ที่แท้เท่านั้น ซึ่งจะช่วยให้มั่นใจได้ว่าเครื่องมือไฟฟ้ายังมีความปลอดภัยอยู่

#### คำแนะนำความปลอดภัยเพิ่มเติม สำหรับสว่านเจาะกระแทกโรตารี

- **สวมอุปกรณ์ป้องกัน** การเผชิญกับเสียงดังมาก ๆ อาจทำให้สูญเสียความสามารถในการได้ยิน
- **ใช้มือจับเสริม** หากให้มาพร้อมกับเครื่อง การสูญเสียการควบคุมเครื่องอาจทำให้ได้รับบาดเจ็บได้
- **จับเครื่องมือไฟฟ้าที่พื้นผิวส่วนที่ใช้จับซึ่งมีฉนวนป้องกัน** เมื่อใช้งานเครื่องและอุปกรณ์เสริมที่ใช้กับงานตัดอาจสัมผัสกับสายไฟที่ซ่อนอยู่หรือสายไฟของตัวเครื่องเอง อุปกรณ์เสริมที่ใช้กับงานตัดที่สัมผัสกับสายไฟ “ที่มีไฟฟ้า” อาจทำให้ส่วนของโลหะที่ถูกสัมผัส “มีไฟฟ้า” และทำให้ผู้ใช้เครื่องถูกไฟช็อตได้

#### ความเสี่ยงอื่น ๆ ที่ยังมีอยู่

การใช้งานสว่านเจาะกระแทกโรตารีและเครื่องสกัดอาจเป็นสาเหตุของความเสี่ยงดังต่อไปนี้:

- การบาดเจ็บจากการสัมผัสชิ้นส่วนของเครื่องมือที่กำลังหมุนหรือชิ้นส่วนที่มีความร้อน

แม้จะปฏิบัติตามข้อกำหนดด้านความปลอดภัยที่เกี่ยวข้อง และใช้อุปกรณ์นิรภัยแล้วก็ตาม แต่ก็ไม่สามารถหลีกเลี่ยงความเสี่ยงบางอย่างได้ ความเสี่ยงเหล่านั้นได้แก่:

- ความบกพร่องในการได้ยินเสียง
- ความเสี่ยงของการหนีบถูกนิ้วในขณะที่เปลี่ยนอุปกรณ์เสริม
- อันตรายต่อสุขภาพซึ่งมีสาเหตุจากการสูดหายใจเอาฝุ่นที่เกิดจากการทำงานกับคอนกรีต และ/หรือปูน

#### สัญลักษณ์บนเครื่องมือ

รูปภาพต่อไปนี้จะปรากฏบนเครื่องมือ:



อ่านคู่มือการใช้งานก่อนใช้เครื่อง



สวมอุปกรณ์ป้องกันเสียงดัง



สวมอุปกรณ์ป้องกันตา



ค่าคลัตช์ที่ 40 Nm ได้รับการออกแบบมา  
สำหรับงานเจาะส่วนใหญ่



ค่าคลัตช์ที่ 80 Nm ได้รับการออกแบบมา  
สำหรับงานที่ต้องใช้แรงบิดสูงขึ้น



ไฟ LED แสดงความผิดปกติสีแดง สำหรับ  
รายละเอียดเพิ่มเติม โปรดดูหัวข้อ **ไฟ LED**  
**แสดงความผิดปกติ**



ไฟ LED แสดงความผิดปกติสีเหลือง สำหรับ  
รายละเอียดเพิ่มเติม โปรดดูหัวข้อ **ไฟ LED**  
**แสดงความผิดปกติ**

### ตำแหน่งของรหัสวันที่ (รูป 1)

รหัสวันที่ (w) ซึ่งระบุ ปีที่ผลิตได้ด้วย จะถูกพิมพ์ไว้บน  
ตัวเครื่อง

ตัวอย่างเช่น:

2013 XX XX  
ปีที่ผลิต

### สิ่งที่อยู่ในบรรจุภัณฑ์

ภายในบรรจุภัณฑ์ประกอบด้วย:

สว่านเจาะกระแทก และเจาะสกัด 1 เครื่อง  
(D25721, D25722, D25723, D25761, D25762,  
D25763)

หรือ

สว่านเจาะสกัด (D25871) 1 เครื่อง

มือจับเสริมด้านข้าง 1 ชิ้น

กล่องชุดอุปกรณ์ (เฉพาะรุ่น K) 1 กล่อง

ดอกสกัดปลายแหลม (เฉพาะ D25871) 1 ชิ้น

คู่มือการใช้งาน 1 เล่ม

- โปรดตรวจหาร่องรอยความเสียหายของเครื่องมือ  
ชิ้นส่วน หรืออุปกรณ์เสริม ที่อาจเกิดขึ้นในระหว่าง  
การขนส่ง
- โปรดอ่านและทำความเข้าใจคู่มือเล่มนี้ก่อนการใช้  
งาน

### คำอธิบาย (รูป 1A, 1B, 2A, 2B)



**คำเตือน:** ห้ามดัดแปลงเครื่องมือไฟฟ้า  
หรือส่วนประกอบต่างๆ เพราะอาจทำให้  
เครื่องมือชำรุดหรือได้รับบาดเจ็บได้

- สวิตช์ (D25721, D25722, D25723, D25761,  
D25762, D25763)  
สวิตช์แยกเปิด/ปิด (D25871)
- ปุ่มล็อค (D25721, D25722, D25723, D25761,  
D25762, D25763)
- มือจับเสริมด้านข้าง
- ด้ามจับตัวหลัก
- ตัวควบคุมแรงสั่นสะเทือนแบบแอคทีฟ
- สวิตช์เลือกโหมด
- ปุ่มเลื่อนควบคุมความเร็วและแรงกระแทก  
แบบอิเล็กทรอนิกส์
- วงแหวนสำหรับยึด
- ตัวยึดมือจับเสริมด้านข้าง
- แหวนเหล็ก
- นูน
- หัวจับดอกสว่าน
- สลัก
- ปลอกสว่าน
- ปลอกล็อค
- หัวจับมือจับเสริมด้านข้าง

### วัตถุประสงค์ในการใช้งาน

#### D25721, D25722, D25723, D25761, D25762, D25763

สว่านเจาะกระแทก และเจาะสกัดของคุณได้รับการ  
ออกแบบมาเพื่อการใช้งานเจาะและงานสกัดอย่าง  
มืออาชีพ

#### D25871

สว่านเจาะสกัดของคุณได้รับการออกแบบมาเพื่อการ  
ใช้งานถาก งานสกัดและงานเจาะทำลายอย่างมืออาชีพ

**ห้าม**ใช้ในบริเวณที่เปียกชื้น หรือมีของเหลวหรือแก๊สที่  
ติดไฟได้อยู่ในบริเวณดังกล่าว

ส่วนไฟฟ้าเหล่านี้เป็นเครื่องมือไฟฟ้าสำหรับมืออาชีพ

**ห้าม**ปล่อยให้เด็กสัมผัสกับเครื่องมือ ผู้ใช้ที่ไม่มีประสพ-  
การณ์มาก่อนต้องได้รับการดูแลในขณะที่ใช้เครื่องมือนี้

- เครื่องมือนี้ไม่ได้มีไว้เพื่อการใช้งานโดยบุคคล (ซึ่งรวมถึงผู้เยาว์) ที่มีความบกพร่องทางร่างกาย ทางกรรับความรู้สึก หรือทางจิตประสาท หรือขาดประสบการณ์ ความรู้ และทักษะ เว้นเสียแต่จะได้รับการควบคุมดูแลหรือคำแนะนำการใช้เครื่องมือโดยผู้ที่รับผิดชอบ ต่อความปลอดภัยของบุคคลเหล่านั้น ห้ามปล่อยผู้เยาว์ไว้กับเครื่องมือนี้ตามลำพัง

## คุณสมบัติขอพท์สตาร์ท

D25722, D25723, D25761, D25762, D25763

คุณสมบัติขอพท์สตาร์ท ทำให้ฮัตตรากระแทกเกิดขึ้นช้าลง ดังนั้นจึงป้องกันดอกสว่านเลื่อนออกจากตำแหน่งที่ต้องการเจาะเมื่อเริ่มเดินเครื่อง

นอกจากนี้ คุณสมบัติขอพท์สตาร์ทยังช่วยลดปฏิกิริยาตอบสนองต่อแรงบิดระดับกลางที่ถูกส่งผ่านไปยังเพื่องเกียร์และผู้ปฏิบัติงาน หากสว่านเจาะกระแทกเริ่มเดินเครื่องโดยที่ดอกสว่านอยู่ในรูเดิม

## ตัวควบคุมความเร็วและแรงกระแทกแบบอิเล็กทรอนิกส์ (รูป 1, 3)

ตัวควบคุมความเร็วตัวควบคุมความเร็วและแรงกระแทกแบบอิเล็กทรอนิกส์ (g) มีข้อดีดังต่อไปนี้

- สามารถใช้อุปกรณ์เสริมขนาดเล็กลงได้โดยไม่เสี่ยงต่อการแตกหัก
- ลดการแตกหักเมื่อสกัดหรือเจาะวัสดุที่อ่อนหรือแตกง่าย
- สามารถควบคุมเครื่องมือได้ดียิ่งขึ้นเพื่อการสกัดที่แม่นยำ

## คลัตช์ควบคุมแรงบิด



**คำเตือน:** ผู้ใช้งานต้องจับที่มีข้อจับของเครื่องมือไฟฟ้าอย่างมั่นคงตลอดเวลาในขณะที่ใช้งาน

คลัตช์ควบคุมแรงบิดจะทำหน้าที่ลดปฏิกิริยาตอบสนองสูงสุดต่อแรงบิดที่ถูกส่งผ่านไปยังผู้ปฏิบัติงานในกรณีที่ดอกสว่านติดขัด คุณสมบัตินี้ยังช่วยป้องกันเกียร์และมอเตอร์ไฟฟ้าค้างอีกด้วย

**ข้อสังเกต:** ปิดสวิตช์เครื่องมือทุกครั้งก่อนเปลี่ยนการตั้งค่าควบคุมแรงบิด มิฉะนั้นอาจทำให้เครื่องมือเสียหายได้

## การควบคุมแรงบิดสมบูร์น (CTC) (รูป 3)

D25722/D25761/D25762

การควบคุมแรงบิดสมบูร์น (CTC) ทำให้ผู้ใช้สามารถใช้คลัตช์กลไกสองระดับที่มีตัวเลือกในการปรับแรงบิดได้ การปรับแรงบิดทำให้การควบคุมการทำงานประเภทต่าง ๆ ได้มากขึ้น

การตั้งค่าต่ำ (40 Nm) ทำให้เครื่องมือสามารถทำงานในระดับแรงบิดที่ลดลง ซึ่งจะเพิ่มการควบคุมการทำงานในการเจาะของแข็งได้หลายประเภท การตั้งค่าสูง (80 Nm) ทำให้เครื่องมือสำหรับการใช้งานที่ต้องการแรงบิดมากขึ้น เช่น การเจาะคอร์ริงและการใช้ดอกสว่านขนาดใหญ่

โปรดดูข้อมูลเพิ่มเติมใน **การตั้งค่าคลัตช์กลไกสองระดับ**

## การควบคุมแรงบิดสูงสุด (UTC)

D25723/D25763

นอกจากคลัตช์ที่มีกลไกสองระดับ การควบคุมแรงบิดสูงสุด (UTC) ยังเพิ่มความสะดวกรบายและความปลอดภัยผ่านเทคโนโลยีป้องกันการหมุนตัวขณะใช้งาน มีความสามารถในการตรวจจับในกรณีที่ผู้ใช้สูญเสียการควบคุมส่วนไฟฟ้าดังกล่าว เมื่อตรวจพบการติดขัด แรงบิดและความเร็วจะลดลงทันที คุณลักษณะนี้ยังป้องกันการหมุนตัวของเครื่องมือ ซึ่งจะช่วยลดการบาดเจ็บที่เกิดขึ้นกับข้อมือ

## ไฟ LED แสดงความผิดปกติ (รูป 3)

ไฟ LED สีเหลืองแสดงการสึกหรอของแปรง (s) จะติดสว่างเมื่อแปรงถ่านใกล้จะขาด ซึ่งหมายความว่าต้องนำเครื่องมือเข้ารับบริการภายในช่วง 8 ชั่วโมงของการใช้งานต่อไป

D25721, D25722, D25723, D25761, D25762, D25763

ไฟ LED สีแดงแสดงความผิดปกติ (r) จะติดสว่างหากมีการใช้งานปุ่มล็อค (b) ในโหมดใด ๆ ก็ตาม ยกเว้นโหมดสกัด ในรุ่นที่ติดตั้งการควบคุมแรงบิดสูงสุด (UTC) ไฟ LED สีแดง (r) จะติดสว่างขึ้นถ้าเปิดใช้งานอุปกรณ์ป้องกันการหมุนตัว ไฟ LED สีแดงจะเริ่มกะพริบหากมี

ความผิดปกติเกี่ยวกับเครื่องมือหรือแปรงถ่านชำรุดสึกหรอ  
เกือบทั้งหมด (โปรดดู **แปรงถ่าน** ในหัวข้อ **การบำรุงรักษา**)

**D25871**

ไฟ LED สีแดง (h) จะเริ่มกะพริบหากมีความผิดปกติเกี่ยวกับเครื่องมือหรือแปรงถ่านชำรุดสึกหรอเกือบทั้งหมด (โปรดดู **แปรงถ่าน** ในหัวข้อ **การบำรุงรักษา**)

**ด้ามจับตัวหลักที่ขับเคลื่อน  
ได้เต็มที่ (รูป 1)**

ตัวขับเคลื่อนที่ด้ามจับตัวหลัก (d) จะช่วยดูดซับแรงสั่นสะเทือนที่ถูกส่งผ่านไปยังผู้ใช้งาน ซึ่งช่วยให้ผู้ใช้รู้สึกสบายยิ่งขึ้นในระหว่างปฏิบัติงาน

**ความปลอดภัยทางไฟฟ้า**

มอเตอร์ไฟฟ้าออกแบบมาเพื่อใช้กับแรงดันไฟฟ้าขนาดเดียวกันนั้น ต้องตรวจสอบกำลังไฟเพื่อให้ตรงกับแรงดันไฟฟ้าบนแผ่นแสดงพิกัดเสมอ



เครื่องมือ DEWALT ใช้ระบบฉนวนสองชั้นที่ตรง ตามมาตรฐาน EN 60745 จึงไม่จำเป็นต้องใช้ สายดิน



**คำเตือน:** กรณีอุปกรณ์ที่ใช้ไฟ 115 โวลต์ ต้องใช้งานผ่านหม้อแปลงเดี่ยวแบบมีอุปกรณ์ป้องกัน พร้อมทั้งแผ่นสายดินระหว่างขดลวดหลักกับขดลวดรอง

ถ้าสายไฟของตัวเครื่องชำรุดเสียหาย ต้องเปลี่ยนเป็นสายไฟที่จัดเตรียมมาเป็นพิเศษซึ่งสั่งซื้อได้ที่ศูนย์บริการของ DEWALT

**การใช้สายพ่วง**

ในกรณีที่จำเป็นต้องใช้สายพ่วง ให้ใช้สายพ่วง 3 ขั้วที่มีการรับรองและเหมาะสมกับปริมาณไฟเข้าของอุปกรณ์ (ดูข้อมูลทางเทคนิค) ขนาดของสายนำไฟฟ้าต่ำสุดคือ 1.5 ตร.มม. ความยาวสูงสุดคือ 30 ม.

เมื่อมีการใช้อุปกรณ์ผ่านเก็บสายไฟ ให้คลายสายไฟออกจนหมดทุกครั้ง

**การประกอบและการปรับตั้ง**



**คำเตือน:** เพื่อลดความเสี่ยงจากการบาดเจ็บ ให้ปิดเครื่องมือและถอดปลั๊กออกจากแหล่งจ่ายไฟก่อนการประกอบและถอดอุปกรณ์เสริม ก่อนการปรับแต่งหรือเปลี่ยนชุดติดตั้ง หรือขณะทำการซ่อมแซม ตรวจสอบให้แน่ใจว่าสวิตช์อยู่ในตำแหน่ง “ปิด” การปลดเปิดเครื่องโดยไม่ตั้งใจอาจเป็นสาเหตุให้เกิดการบาดเจ็บได้



**คำเตือน:** ดอกสว่าน/ดอกสกัดอาจยังร้อนอยู่ ดังนั้นควรสวมถุงมือในขณะที่เปลี่ยนหรือถอดประกอบอุปกรณ์เหล่านั้น ทั้งนี้เพื่อป้องกันไม่ให้เกิดการบาดเจ็บ

**การประกอบและการติดตั้งมือจับเสริม  
ด้านข้าง (รูป 2A, 2B)**

มือจับเสริมด้านข้าง (c) สามารถติดตั้งที่ด้านหน้าหรือด้านหลัง ด้านซ้ายหรือด้านขวาของเครื่องมือก็ได้ เพื่อให้เหมาะสมกับผู้ใช้ทั้งที่ถนัดมือซ้ายและมือขวา



**คำเตือน:** ใช้งานเครื่องมือโดยมีมือจับเสริมด้านข้างติดตั้งอย่างถูกต้องเสมอ

**D25721, D25722, D25723, D25761, D25762, D25763**  
**การติดตั้งในตำแหน่งข้างหน้า (รูป 2A)**

1. ใส่แหวนเหล็ก (j) ลงบนปลอกสว่าน (n) ด้านหลังหัวจับดอกสว่าน (i) บีบปลายทั้งสองด้านของแหวนเหล็กเข้าหากัน ใส่บูช (k) และสลัก (m)
2. ใส่ตัวยึดมือจับเสริมด้านข้าง (j) แล้วขันเกลียววงแหวนสำหรับยึด (h) โดยยังไม่ต้องขันแน่น



**คำเตือน:** เมื่อประกอบอุปกรณ์ต่าง ๆ เสร็จแล้ว ไม่ควรถอดตัวยึดมือจับเสริมด้านข้างออกอีก

3. ขันเกลียวมือจับเสริมด้านข้าง (c) เข้าในบูช (k) จากนั้นขันเข้าในวงแหวนยึด โดยขันให้แน่น
4. หมุนมือจับเสริมด้านข้างเข้าไปยังตำแหน่งที่ต้องการ หากต้องการใช้ดอกสว่านสำหรับงานหนักในการเจาะแนวระนาบ ขอแนะนำให้ติดตั้งมือจับเสริมด้านข้างที่ 20 องศาโดยประมาณ เพราะจะเป็นตำแหน่งที่ควบคุมได้ดีที่สุด



5. ล็อคชุดติดตั้งมือจับเสริมด้านข้างเข้าในตำแหน่ง โดยการขันวงแหวนสำหรับยึด (h)

#### D25871 (รูป 2B)

1. คลายหัวจับของมือจับเสริมด้านข้าง (p)
2. เลื่อนชุดมือจับเสริมด้านข้างเข้าไปในเครื่องมือ โดยให้แหวนเหล็ก (j) อยู่ในบริเวณติดตั้ง (y) ตำแหน่งที่ถูกต้องของมือจับเสริมด้านข้างอยู่ระหว่างส่วนหัวและตรงกลางของท่อ
3. ปรับตั้งมือจับเสริมด้านข้าง (c) ให้ได้มุมที่ต้องการ
4. เลื่อนและหมุนมือจับเสริมด้านข้างไปยังตำแหน่งที่ต้องการ
5. ล็อคมือจับเสริมด้านข้างเข้าในตำแหน่งโดยการขันหัวจับให้แน่น (p)

### การใส่และการถอดประกอบอุปกรณ์เสริม SDS Max® (รูป 1, 4A, 4B)

เครื่องมือนี้ใช้ดอกสว่านและดอกสกัด SDS Max®

(โปรดดู กรอบเล็กในภาพ 4B ซึ่งแสดงภาพตัดขวางของ ก้านดอกสว่าน SDS Max®)

1. ทำความสะอาดก้านดอกสว่าน
2. ดึงปลอกล็อค (c) กลับ แล้วสอดก้านดอกสว่าน
3. หมุนดอกสว่านเล็กน้อยจนกระทั่งปลอกล็อคเข้าในตำแหน่ง
4. ลองดึงดอกสว่านออกเพื่อตรวจสอบว่าดอกสว่าน ล็อคอยู่ในตำแหน่งถูกต้องแล้ว สำหรับคุณสมบัติ การเจาะตอก ดอกสว่านจะต้องเคลื่อนตามแนวแกน ได้หลายเซนติเมตรเมื่อล็อคอยู่ในหัวจับดอกสว่าน
5. การถอดประกอบดอกสว่าน ให้ดึงปลอกล็อค (c) ตัวจับดอกสว่าน/ปลอกล็อคกลับ แล้วดึงดอกสว่าน ออกจากหัวจับดอกสว่าน (l)

### การเลือกโหมดการทำงาน (รูป 1)

**T** การเจาะกระแทก:  
D25721, D25722, D25723, D25761, D25762, D25763  
สำหรับการเจาะคอนกรีต อิฐ ก้อนหิน และ ปูน

**T** เฉพาะการเจาะสกัดเท่านั้น:  
สำหรับการถากและการสกัดเจาะทำลาย ในโหมดนี้ สามารถใช้เครื่องมือเป็นตัววัด ดอกสว่านที่ติดขัดอยู่ออกได้อีกด้วย

1. การเลือกโหมดการทำงาน ให้หมุนสวิตช์ปรับโหมด (f) จนกระทั่งเครื่องหมายอยู่ตรงกับสัญลักษณ์ของโหมดที่ต้องการ

อาจจำเป็นต้องบิดหัวจับดอกสว่าน (l) เล็กน้อย เพื่อให้สวิตช์ปรับโหมด (f) สามารถผ่านตำแหน่ง

○ ไปได้

2. ตรวจสอบว่าสวิตช์ปรับโหมด (f) ล็อคอยู่ในตำแหน่ง ดีแล้ว

### การกำหนดตำแหน่งของดอกสกัด (รูป 5)

ดอกสกัดสามารถกำหนดและล็อคตำแหน่งได้ถึง 24 ตำแหน่ง

1. หมุนสวิตช์ปรับโหมด (f) จนกระทั่งเครื่องหมายอยู่ตรง กับตำแหน่ง ○
2. หมุนดอกสกัดในตำแหน่งที่ต้องการ
3. ตั้งสวิตช์ปรับโหมด (f) ไปที่ตำแหน่ง “การเจาะตอกเท่านั้น”
4. บิดดอกสกัดจนกระทั่งดอกสกัดเข้าล็อคในตำแหน่ง

### การปรับตั้งปุ่มเลื่อนควบคุมความเร็วและแรงกระแทกแบบอิเล็กทรอนิกส์ (รูป 1, 3)

หมุนปุ่มเลื่อน (g) ไปยังระดับที่ต้องการ หมุนปุ่มเลื่อนขึ้น หากต้องการความเร็วเพิ่มขึ้น และหมุนปุ่มเลื่อนลง หากต้องการให้ความเร็วลดลง การปรับตั้งค่าที่จำเป็น ต้องอาศัยประสบการณ์เป็นสิ่งสำคัญ ตัวอย่างเช่น

- เมื่อสกัดหรือเจาะวัสดุที่อ่อนหรือแตกหักง่าย หรือเมื่อต้องการให้มีแรงแตกหักน้อยที่สุดให้ปรับตั้งปุ่มเลื่อนไปที่ค่าต่ำ
- เมื่อเจาะวัสดุที่แข็งมากขึ้นให้ปรับตั้งปุ่มเลื่อนไปที่ค่าสูง

## การตั้งค่าคลัชต์กลไกของระดับ (รูป 3)

D25722, D25723, D25761, D25762, D25763

**ข้อสังเกต:** ปิดเครื่องมือทุกครั้งก่อนที่จะปรับตั้งตัวควบคุมแรงบิด มิฉะนั้นเครื่องมืออาจชำรุดเสียหายได้

เลื่อนก้านควบคุมแรงบิด (t) ไปที่ค่า 40 Nm หรือ 80 Nm ตามการใช้งาน

- ค่าคลัชต์ที่ 40 Nm (u) ได้รับการออกแบบมาสำหรับการใช้งานเจาะส่วนใหญ่ และออกแบบมาให้ปล่อยคลัชต์ออกง่ายในกรณีที่ใช้ดอกสว่านเจาะถูกเหล็กเส้นหรือวัสดุแปลกปลอมอื่น ๆ
- ค่าคลัชต์ที่ 80 Nm (v) ได้รับการออกแบบมาสำหรับการใช้งานที่ต้องการแรงบิดสูง เช่น การเจาะคอนกรีต และการเจาะรูลึก ๆ อีกทั้งค่าคลัชต์นี้ยังออกแบบมาให้มีการปล่อยคลัชต์ที่จุดเริ่มเปลี่ยนแรงบิดที่สูงขึ้นด้วย

**หมายเหตุ:** ถ้าไม่สามารถเลือกตำแหน่ง 80 Nm ได้ ให้เครื่องมือทำงานขณะที่มีโหลดแล้วลองอีกครั้ง ทุกครั้งที่เสียบปลั๊ก เครื่องมือจะกลับไปเริ่มต้นที่ค่าคลัชต์ 40 Nm (u) โดยอัตโนมัติ ค่าการเจาะแบบหมุนเร็วที่สุด

## การใช้งาน

### วิธีการใช้เครื่องมือ



**คำเตือน:** ทำตามคำแนะนำด้านความปลอดภัยและข้อกำหนดที่บังคับใช้เสมอ



**คำเตือน:** เพื่อลดความเสี่ยงจากการบาดเจ็บ ให้ปิดเครื่องมือและถอดปลั๊กออกจากแหล่งจ่ายไฟก่อนการประกอบและถอดอุปกรณ์เสริม ก่อนการปรับแต่งหรือเปลี่ยนชุดติดตั้ง หรือขณะทำการซ่อมแซม ตรวจสอบให้แน่ใจว่าสวิตช์อยู่ในตำแหน่ง "ปิด" การผลเปิดเครื่องโดยไม่ตั้งใจอาจเป็นสาเหตุให้เกิดการบาดเจ็บได้



**คำเตือน:** ดอกสว่าน/ดอกสกัดอาจยังร้อนอยู่ ดังนั้นควรสวมถุงมือในขณะที่เปลี่ยนหรือถอดประกอบอุปกรณ์เหล่านั้น ทั้งนี้เพื่อป้องกันไม่ให้เกิดการบาดเจ็บ



### คำเตือน:

- ระวังตำแหน่งของระบบท่อน้ำและสายไฟ
- ออกแรงกดไปยังเครื่องมือเพียงเบา ๆ (ประมาณ 20 กก.) การออกแรงกดมากเกินไป ไม่ได้ช่วยให้สามารถเจาะได้เร็วขึ้น แต่ยังเป็นการลดประสิทธิภาพของเครื่องมือ และทำให้เครื่องมืออายุการใช้งานสั้นลงอีกด้วย
- จับเครื่องมือด้วยมือทั้งสองข้างให้แน่น และอยู่ในท่ายืนที่มั่นคง ใช้งานเครื่องมือโดยมีมือจับเสริมด้านข้างติดตั้งอย่างถูกต้องเสมอ

**หมายเหตุ:** อุณหภูมิที่เหมาะสมสำหรับการใช้งานคือ -7° ถึง 40° C (19° to 104° F) หากใช้เครื่องมือภายใต้อุณหภูมิที่นอกเหนือจากนี้ จะเป็นสาเหตุทำให้อายุการใช้งานของเครื่องมือสั้นลง

## ตำแหน่งของมือที่ถูกต้อง (รูป 6)



**คำเตือน:** เพื่อลดความเสี่ยงจากการได้รับบาดเจ็บสาหัส ให้จับเครื่องมือในตำแหน่งที่ถูกต้องดังแสดงในภาพเสมอ



**คำเตือน:** เพื่อลดความเสี่ยงจากการได้รับบาดเจ็บสาหัส จะต้องจับเครื่องมือให้แน่นทุกครั้ง เพื่อเตรียมพร้อมสำหรับแรงปฏิกิริยาที่เกิดขึ้นแบบทันทีทันใด

ตำแหน่งของการจับที่ถูกต้องคือ มือหนึ่งอยู่บนมือจับเสริมด้านข้าง (c) อีกมือหนึ่งอยู่บนมือจับตัวหลัก (d)

## การเปิดและปิดสวิตช์ (รูป 1)

D25721, D25722, D25723, D25761, D25762, D25763

กดสวิตช์ (a) ลง เพื่อเปิดเครื่อง  
ปล่อยสวิตช์เพื่อปิดเครื่อง

D25721, D25722, D25723, D25761, D25762, D25763

ปุ่มล็อค (b) ใช้สำหรับการล็อคสวิตช์ (a) ในโหมดการสกดเท่านั้น หากมีการใช้งานปุ่มล็อคในโหมดการเจาะ เครื่องมือจะปิดโดยอัตโนมัติ

กดสวิตช์ (a) ลง เพื่อเปิดเครื่อง  
ปล่อยสวิตช์เพื่อปิดเครื่อง

สำหรับการใช้งานอย่างต่อเนื่อง ให้กดสวิตช์ (a) ค้างไว้ เลื่อนปุ่มล็อก (b) ขึ้น แล้วปล่อยสวิตช์

เมื่อต้องการหยุดใช้งานเครื่องที่กำลังทำงานอย่างต่อเนื่อง ให้กดสวิตช์ช่วงสั้น ๆ แล้วปล่อย ปิดสวิตช์เครื่องมือทุกครั้งเมื่อทำงานเสร็จแล้ว และก่อนดึงปลั๊กออก

#### D25871

กดสวิตช์โยกเปิด/ปิด (a) ที่ส่วนล่างของสวิตช์ เพื่อเปิดเครื่อง

กดสวิตช์โยกเปิด/ปิดที่ส่วนบนของสวิตช์ เพื่อปิดเครื่อง

### การเจาะกระแทก

กดสวิตช์เปิด/ปิด (a) เพื่อเปิดเครื่อง

ปล่อยสวิตช์ เพื่อปิดเครื่อง

### การเจาะโดยใช้ดอกสว่าน (รูป 1)

#### D25721, D25722, D25723, D25761, D25762, D25763

1. ใช้ดอกสว่านที่เหมาะสม
2. ตั้งสวิตช์ปรับโหมด (f) ไปที่ตำแหน่งการเจาะกระแทก
3. ปรับตั้งปุ่มเลื่อนควบคุมความเร็วและแรงกระแทกแบบอิเล็กทรอนิกส์ (g)
4. ประกอบและปรับตั้งมือจับเสริมด้านข้าง (c)
5. ทำเครื่องหมายจุดที่ต้องการเจาะรู
6. แตะดอกสว่านลงบนจุดนั้น แล้วเปิดสวิตช์เครื่องมือ
7. ปิดสวิตช์เครื่องมือทุกครั้งเมื่อทำงานเสร็จแล้ว และก่อนดึงปลั๊กออก

### การเจาะโดยใช้ดอกคอรื้ง (รูป 1)

1. ใช้ดอกสว่านเจาะคว้านที่เหมาะสม
2. ประกอบดอกสว่านนำศูนย์เข้ากับดอกคอรื้ง
3. ตั้งสวิตช์ปรับโหมด (f) ไปที่ตำแหน่งการเจาะกระแทก
4. หมุนปุ่มเลื่อนควบคุมความเร็วและแรงกระแทกแบบอิเล็กทรอนิกส์ (g) ไปที่ค่าความเร็วปานกลางหรือความเร็วสูง
5. ประกอบและปรับตั้งมือจับเสริมด้านข้าง (c)
6. แตะดอกสว่านลงบนจุดนั้น แล้วเปิดสวิตช์เครื่องมือ เจาะเข้าไปจนกระทั่งดอกคอรื้งทะลุผ่านเข้าไปในคอนกรีตประมาณ 1 ซม.

7. หยุดเครื่องมือและนำดอกสว่านนำศูนย์ออก ให้ดอกคอรื้งกลับเข้าไปในช่องเจาะ แล้วเริ่มเจาะต่อไป

8. เมื่อเจาะผ่านโครงสร้างที่หนากว่าความลึกของดอกคอรื้ง ให้ถอนออกจากช่องทรงกระบอกในคอนกรีตหรือแกนคว้านภายในดอกคอรื้งที่ช่วงชักปกติ

เพื่อหลีกเลี่ยงไม่ให้คอนกรีตรอบ ๆ ช่องที่เจาะมีกรแตกออก ก่อนอื่นให้ใช้ดอกสว่านนำศูนย์เจาะรูตรงกลางจนทะลุผ่านโครงสร้าง จากนั้นเจาะแกนคว้านเพียงครึ่งหนึ่งเข้ามาจากแต่ละด้าน

9. ปิดสวิตช์เครื่องมือทุกครั้งเมื่อทำงานเสร็จแล้ว และก่อนดึงปลั๊กออก

### การสกัดและการถาก (รูป 1)

1. ใส่หัวสกัดที่เหมาะสม แล้วหมุนหัวสกัดด้วยมือเพื่อล็อกเข้าในตำแหน่งใดตำแหน่งหนึ่งใน 24 ตำแหน่ง
2. ตั้งสวิตช์ปรับโหมด (f) ไปที่ตำแหน่ง “การเจาะตอกเท่านั้น”
3. ปรับตั้งปุ่มเลื่อนควบคุมความเร็วและแรงกระแทกแบบอิเล็กทรอนิกส์ (g)
4. ประกอบและปรับตั้งมือจับเสริมด้านข้าง (c)
5. เปิดสวิตช์เครื่องมือและเริ่มทำงาน
6. ปิดสวิตช์เครื่องมือทุกครั้งเมื่อทำงานเสร็จแล้ว และก่อนดึงปลั๊กออก

### การบำรุงรักษา

เครื่องมือไฟฟ้า DEWALT ออกแบบมาเพื่อให้สามารถใช้งานได้อย่างยาวนานต่อเนื่องด้วยการบำรุงรักษาน้อยที่สุด การทำงานที่สร้างควมพึงพอใจอย่างต่อเนื่องจะขึ้นอยู่กับการดูแลรักษาที่เหมาะสมและการทำความสะอาดอย่างสม่ำเสมอ



**คำเตือน:** เพื่อลดความเสี่ยงจากการบาดเจ็บ ให้ปิดเครื่องมือและถอดปลั๊กออกจากแหล่งจ่ายไฟก่อนการประกอบและถอดอุปกรณ์เสริม ก่อนการปรับแต่งหรือเปลี่ยนชุดติดตั้ง หรือขณะทำการซ่อมแซม ตรวจสอบให้แน่ใจว่าสวิตช์อยู่ในตำแหน่ง “ปิด” การผลอเปิดเครื่องโดยไม่ตั้งใจอาจเป็นสาเหตุให้เกิดการบาดเจ็บได้

เครื่องมือนี้ผู้ใช้ไม่สามารถซ่อมเองได้ โปรดนำเครื่องมือไปยังศูนย์บริการ DEWALT ที่ได้รับอนุญาต เมื่อใช้งานเครื่องมือมาแล้วประมาณ 150 ชั่วโมง หากมีปัญหาเกิดขึ้นก่อนกำหนดดังกล่าว ให้ติดต่อศูนย์บริการ DEWALT ที่ได้รับอนุญาต

### แปรงถ่าน (รูป 3)

แปรงถ่านนี้ผู้ใช้ไม่สามารถซ่อมเองได้ โปรดนำเครื่องมือไปให้ศูนย์บริการ DEWALT ที่ได้รับอนุญาต

ไฟ LED สีเหลืองแสดงการสึกหรอของแปรงถ่าน (s) จะติดสว่าง เมื่อแปรงถ่านใกล้ชำรุดสึกหรอ หากใช้แปรงต่อไปอีก 8 ชั่วโมง หรือหากแปรงสึกหรอหมดแล้ว มอเตอร์จะปิดการทำงานโดยอัตโนมัติ

เครื่องมือต้องได้รับการซ่อมบำรุงทันทีที่ไฟแสดงความผิดปกติ (t) ติดสว่าง



### การหล่อลื่น

ไม่ต้องใช้สารหล่อลื่นเพิ่มเติมกับเครื่องมือไฟฟ้านี้



### การทำความสะอาด



**คำเตือน:** หมั่นเป่าสิ่งสกปรกและฝุ่นละอองที่สะสมออกจากตัวเครื่องเป็นประจำด้วยลมแห้ง เนื่องจากสิ่งสกปรกมักสะสมอยู่ภายในและรอบ ๆ ช่องระบายอากาศ สวมอุปกรณ์ป้องกันดวงตาและหน้ากากกันฝุ่นที่ได้มาตรฐานในขณะที่ดำเนินการขั้นตอนนี้



**คำเตือน:** ห้ามใช้สารที่เป็นตัวทำละลายหรือสารเคมีที่มีฤทธิ์กัดกร่อนรุนแรงอื่น ๆ ทำความสะอาดชิ้นส่วนที่ไม่ใช่โลหะของเครื่องมือ สารเคมีเหล่านี้อาจส่งผลกระทบต่อวัสดุที่ใช้ในชิ้นส่วนเหล่านี้ ใช้เฉพาะผ้าชุบน้ำสะอาดเท่านั้น อย่าให้มีของเหลวใด ๆ เข้าไปในเครื่องมือเด็ดขาด ห้ามจุ่มส่วนใด ๆ ของเครื่องมือลงในของเหลวเด็ดขาด

### อุปกรณ์เสริม



**คำเตือน:** เนื่องจากอุปกรณ์เสริมอื่นนอกเหนือจากที่ DEWALT เสนอไม่ได้ผ่านการทดสอบร่วมกับผลิตภัณฑ์นี้ จึงอาจเป็นอันตรายหากใช้อุปกรณ์เสริมดังกล่าวร่วมกับเครื่องมือนี้ เพื่อเป็นการลดความเสี่ยงจากการได้รับบาดเจ็บ ให้ใช้อุปกรณ์เสริมเฉพาะที่ DEWALT แนะนำให้ใช้ร่วมกับผลิตภัณฑ์นี้เท่านั้น

ดอกสว่านและดอกสกัด SDS Max® ชนิดต่าง ๆ มีจำหน่ายเป็นอุปกรณ์เสริม

โปรดติดต่อตัวแทนจำหน่ายหากต้องการข้อมูลเพิ่มเติมเกี่ยวกับอุปกรณ์เสริมที่เหมาะสม

### การปกป้องสิ่งแวดล้อม



การเก็บรวบรวมแบบคัดแยก ห้ามทิ้งผลิตภัณฑ์นี้ร่วมกับขยะในครัวเรือนปกติ

หากวันหนึ่งคุณจำเป็นต้องเปลี่ยนผลิตภัณฑ์ DEWALT ของคุณ หรือเครื่องมือนี้ไม่เป็นประโยชน์สำหรับคุณอีกต่อไป อย่าทิ้งผลิตภัณฑ์นี้ร่วมกับขยะในครัวเรือน จัดการกับผลิตภัณฑ์นี้เพื่อให้พร้อมสำหรับการเก็บรวบรวมแบบคัดแยก



การเก็บรวบรวมแบบคัดแยกสำหรับบรรจุภัณฑ์และผลิตภัณฑ์ที่ใช้แล้วทำให้สามารถรีไซเคิลวัสดุและนำมาใช้งานอีกครั้ง การนำวัสดุรีไซเคิลมาใช้ใหม่จะช่วยป้องกันมลพิษต่อสิ่งแวดล้อมและลดความต้องการวัตถุดิบ

ตามกฎหมายท้องถิ่นอาจมีการจัดเตรียมสถานที่สำหรับการเก็บรวบรวมแบบคัดแยกอุปกรณ์ไฟฟ้าที่ใช้ภายในครัวเรือนได้ ณ แหล่งรับขยะของเทศบาล หรืออาจมีการรับอุปกรณ์ใช้แล้วจากผู้ค้าปลีกในกรณีที่คุณซื้อผลิตภัณฑ์ชิ้นใหม่

คุณสามารถตรวจสอบที่อยู่ของตัวแทนซ่อมที่ได้รับอนุญาตที่อยู่ใกล้คุณมากที่สุดได้โดยการติดต่อสำนักงานของ DEWALT ในพื้นที่ของคุณตามที่อยู่ที่อยู่ในคู่มือนี้ นอกจากนี้ ยังมีรายชื่อตัวแทนซ่อมที่ได้รับอนุญาตของ

DEWALT และข้อมูลการบริการหลังการขายของเรา และ  
ข้อมูลการติดต่อโดยละเอียดแสดงบนทางอินเทอร์เน็ตที่  
**[www.2helpU.com](http://www.2helpU.com)**

