

DEWALT®

www.DEWALT.com

DWH205DH

English	3
简体中文	7
繁體中文	11
한국어	15

Fig. A
图 A
圖 A
그림 A

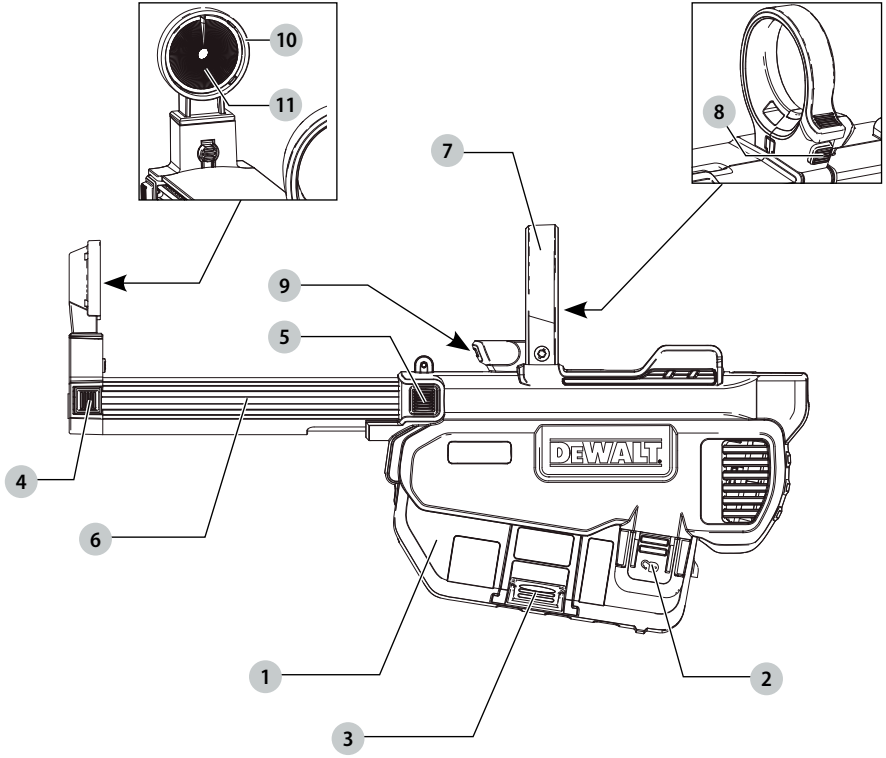


Fig. B
图 B
圖 B
그림 B

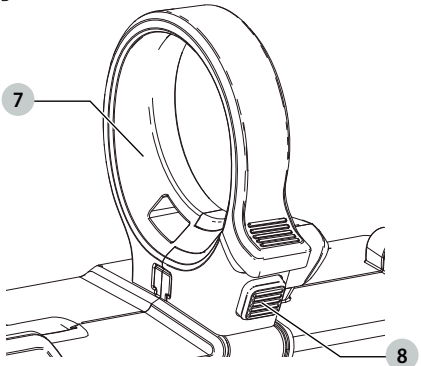


Fig. C
图 C
圖 C
그림 C

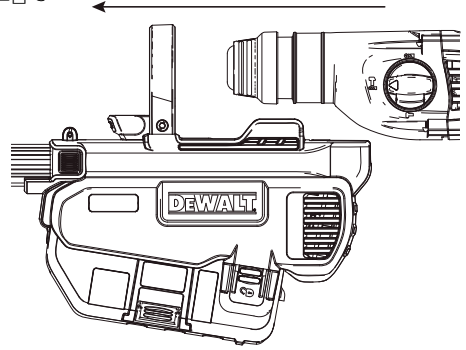


Fig. D
图 D
圖 D
그림 D

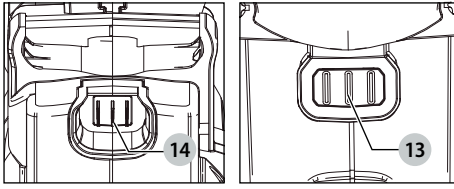


Fig. E
图 E
圖 E
그림 E

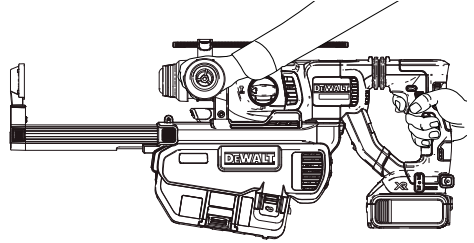


Fig. F
图 F
圖 F
그림 F

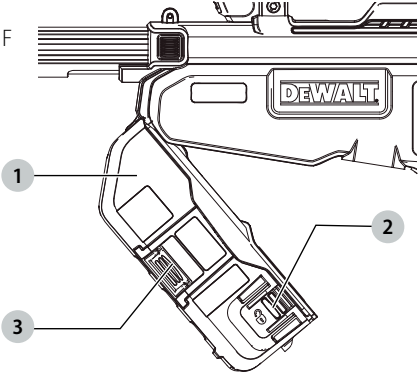


Fig. G
图 G
圖 G
그림 G

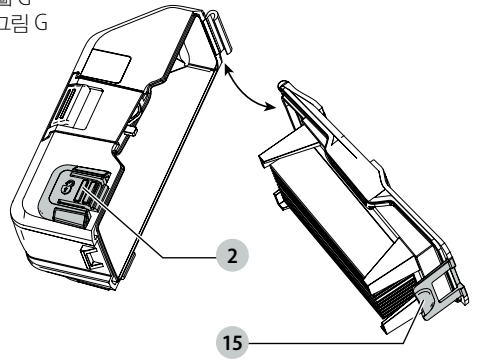
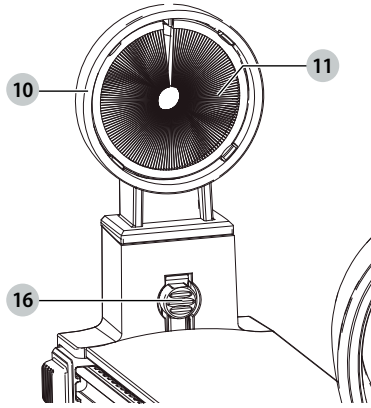


Fig. H
图 H
圖 H
그림 H



DUST EXTRACTOR

DWH205DH

Congratulations!

You have chosen a DEWALT tool. Years of experience, thorough product development and innovation make DEWALT one of the most reliable partners for professional power tool users.

Technical Data

		DWH205DH
Voltage	V _{DC}	18
Contact pressure	N	80
Small head		
Maximum drill bit diameter	mm	12
Maximum drill bit length (overall)	mm	180
Maximum drilling depth	mm	180
Standard head		
Maximum drill bit diameter	mm	26
Maximum drill bit length (overall)	mm	180
Maximum drilling depth	mm	180
Large head		
Maximum drill bit diameter	mm	38
Maximum drill bit length (overall)	mm	180
Maximum drilling depth	mm	180
Tool compatibility		DCH263 only
Weight	kg	1.5



WARNING: To reduce the risk of injury, read the instruction manual.

Definitions: Safety Guidelines

The definitions below describe the level of severity for each signal word. Please read the manual and pay attention to these symbols.



DANGER: Indicates an imminently hazardous situation which, if not avoided, **will** result in **death or serious injury**.



WARNING: Indicates a potentially hazardous situation which, if not avoided, **could** result in **death or serious injury**.



CAUTION: Indicates a potentially hazardous situation which, if not avoided, **may** result in **minor or moderate injury**.

NOTICE: Indicates a practice **not related to personal injury** which, if not avoided, **may** result in **property damage**.



Denotes risk of electric shock.



Denotes risk of fire.

Safety Instructions



WARNING! Always observe safety regulations applicable in your country to reduce the risk of fire, electric shock and personal injury.

Read all of this manual carefully before operating the attachment. Also refer to the manual of any power tool that will be used with this attachment.

SAVE THIS MANUAL FOR FUTURE REFERENCE

General Safety Rules

- Keep work area clear.** Cluttered areas and benches invite injuries.
- Keep children away. Do not let children come into contact with the tool or extension cord.** Supervision is required for those under 16 years of age.
- Use appropriate tool. The intended use is described in this instruction manual.** Do not force small tools or attachments to do the job of a heavy-duty tool. The tool will do the job better and safer at the rate for which it was intended.



WARNING: The use of any accessory or attachment or performance of any operation with this tool, other than those recommended in this instruction manual may present a risk of personal injury.

Additional Specific Safety Rules for Dust Extraction Systems

- Do not use the attachment for drilling applications in wood, steel or plastic.
- Do not use the attachment in core drilling applications.
- Do not use the attachment for chiselling applications.
- Use only power tools recommended by DEWALT with this attachment. For more information about DEWALT power tools compatible with this attachment, please contact your local dealer, refer to the addresses at the back of the manual or visit www.dewalt.com.
- Do not use the tool in damp or wet conditions.
- Do not allow to be used as a toy. Close attention is necessary when used by or near children.
- Use only as described in this manual. Use only manufacturer's recommended attachments.
- Do not put any object into openings. Do not use with any opening blocked; keep free of dust, lint, hair and anything that may reduce air flow.
- Keep hair, loose clothing, fingers and all parts of body away from openings and moving parts.
- Do not use to pick up flammable or combustible liquids, such as gasoline, or use in areas where they may be present.

Residual Risks

The following risks are inherent to the use of the dust extraction system:

- *Injuries caused by touching the rotating parts or hot parts of the tool*

In spite of the application of the relevant safety regulations and the implementation of safety devices, certain residual risks cannot be avoided. These are:

- *Impairment of hearing.*
- *Risk of squeezing fingers when changing the accessory.*
- *Health hazards caused by breathing dust developed when working in concrete and/or masonry.*

Package Contents

The package contains:

- 1 Dust extraction system
- 1 Instruction manual
- *Check for damage to the tool, parts or accessories which may have occurred during transport.*
- *Take the time to thoroughly read and understand this manual prior to operation.*

Markings on Dust Extraction System

The following pictograms are shown on the tool:



Read instruction manual before use.

Date Code Position (Fig. A)

The date code which also includes the year of manufacture, is printed into the housing.

Example:

2018 XX XX

Year of Manufacture

Description (Fig. A)



WARNING: Never modify the power tool or any part of it. Damage or personal injury could result.

- | | |
|---------------------------------------|--------------------------------------|
| 1 Dust collection box | 7 Dust extractor ring |
| 2 Dust collection box release buttons | 8 Dust extractor ring release button |
| 3 Filter cleaning mechanism | 9 Worklight |
| 4 Telescope | 10 Dust extraction head |
| 5 Depth adjustment button | 11 Dust brush |
| 6 Length adjustment button | |

Intended Use

Your dust extraction system DWH205DH has been designed for the extraction of dust in professional hammerdrilling in masonry or concrete, and with solid drill bits mounted to the power tool.

DO NOT use for drilling plastic, wood or metal. **DO NOT** use with hollow bits or core bits.

This dust extraction system will fit the DCH263 DeWALT 18V Max. cordless SDS PLUS hammer.

DO NOT use under wet conditions or in the presence of flammable liquids or gases.

The dust extraction system is an attachment for use with professional power tools.

DO NOT let children come into contact with the tool.

Supervision is required when inexperienced operators use this tool.

- **Young children and the infirm.** This appliance is not intended for use by young children or infirm persons without supervision.
- This product is not intended for use by persons (including children) suffering from diminished physical, sensory or mental abilities; lack of experience, knowledge or skills unless they are supervised by a person responsible for their safety. Children should never be left alone with this product.

Worklight (Fig. A)



CAUTION: Do not stare into worklight. Serious eye injury could result.

There is a worklight **9** located on the top of the dust extractor. The worklight is activated when the trigger switch is depressed, and will automatically turn off 20 seconds after the trigger switch is released. If the trigger switch remains depressed, the worklight will remain on.

NOTE: The worklight is for lighting the immediate work surface and is not intended to be used as a flashlight.

ASSEMBLY AND ADJUSTMENTS



WARNING: To reduce the risk of serious personal injury, turn tool off and disconnect tool from power source before making any adjustments or removing/installing attachments or accessories. Be sure the trigger switch is in the OFF position. An accidental start-up can cause injury.

Attaching and Removing the Dust Extraction System

To Attach the Dust Extraction System (Fig. B–D)



WARNING: To reduce the risk of personal injury, ALWAYS operate the tool with the side handle properly installed and securely tightened. Failure to do so may result in the side handle slipping during tool operation and subsequent loss of control. Hold tool with both hands to maximize control.

1. Remove the battery pack, drill bit, side handle and the depth adjustment rod, if attached to the rotary hammer.
2. Press the dust extractor ring release button **8** to open the dust extractor ring **7**.
3. Holding the front of the dust extractor, insert hammer into the dust extractor as shown in Figure C, ensuring that the electrical connectors **13** on the hammer align with the electrical connectors on the dust extractor **14**.

NOTE: Do not hold the dust extractor by the dust collection box when attaching it to the hammer.

4. With the hammer fully inserted in the dust extractor, press the dust extractor ring to close. It will click in place when secure.
5. Test to see if the dust extractor is properly installed on the rotary hammer:
 - a. Install the dust extractor.
 - b. Start your drilling operation and stop after 6 mm.
 - c. Lift the tool and check if the dust extraction is working. There should be no debris.
 - d. If the dust extractor is operating properly continue your work.

To Remove the Dust Extraction System (Fig. B)

To remove the dust extraction system, press the dust extractor ring release button **8** to open the dust extractor ring **7** and slide the hammer from the dust extractor.

The side handle must be removed to store the dust extractor properly in the kitbox.

OPERATION

Instructions for Use



WARNING: Always observe the safety instructions and applicable regulations.



WARNING: To reduce the risk of serious personal injury, turn tool off and disconnect tool from power source before making any adjustments or removing/installing attachments or accessories. Be sure the trigger switch is in the OFF position. An accidental start-up can cause injury.



WARNING: For your own safety, read the tool instruction manual before using any accessory. Failure to heed these warnings may result in personal injury and serious damage to the tool and the accessory. When servicing this tool, use only identical replacement parts.

Proper Hand Position (Fig. E)



WARNING: To reduce the risk of serious personal injury, ALWAYS use proper hand position as shown.



WARNING: To reduce the risk of serious personal injury, ALWAYS hold securely in anticipation of a sudden reaction.

Proper hand position requires one hand on the main handle and one hand on the side handle of the hammer. The side handle must be installed for proper use.

Switch

The extraction system automatically starts when the rotary hammer is turned on.

Filter Cleaning Mechanism

The filter cleaning mechanism is a feature that uses the motor in the rotary hammer to force air through the HEPA filter.

Refer to **Emptying the Dust Collection Box** for instructions on proper use.

Electronic Switch-Off Delay

After turning the rotary hammer off, the extraction system will run for a few seconds longer to vacuum the remaining dust particles in the internal parts and collect the dust in the dust collection box.

Setting the Drilling Depth (Fig. A)

1. Press the depth adjustment button **5** on side of the dust extractor and fully extend the telescope.
2. Press the depth adjustment button and move the telescope to the desired drilling depth.
3. Release the button.

Adjusting the Drill Length (Fig. A)

1. Insert the appropriate drill bit. The dust extractor head is designed for bits up to 25 mm diameter.
2. Hold the dust extraction head **10** against a wall.
3. Push the tool to make the drill bit touch the surface.
4. Press the length adjustment button **6** on the front of the telescope and move it to the desired length. Release the button.
5. Gently withdraw the tool assembly from the wall, taking care that the spring-loaded mechanism does not release.

Emptying the Dust Collection Box (Fig. F, G)



WARNING: Wear approved eye protection and approved dust mask when performing this procedure.



CAUTION: Do not clean with water or compressed air.

The dust collection box **1** should be emptied as soon as the performance has noticeably decreased or is full.

1. Press the dust collection box release buttons **2** and pull the dust collection box away from the dust extraction system. Once the catch mechanism is clear of the dust extraction system the upper joint will also release allowing the dust collection box to be removed completely.
2. To empty the dust collection box **1** position it over a suitable to catch the dust contained within it. Lift up the assembly release latch **16** to open the dust collection box, separating the canister from the lid. Gently tapping the dust collection box will encourage any dust trapped within the filter to also be removed. Once the filter lid and canister are empty reattach them, ensuring the assembly release latch **16** is securely fastened. Refer to Figure G.
3. To reattach the dust collection box to the dust extraction system first insert the rounded profile of the upper joint into the recess on the dust extraction system. Pivot the dust collection box down so that the release buttons click back into place. Refer to Figure F.
4. With the dust collection box properly installed, depress the filter cleaning mechanism **15** and squeeze trigger on tool. Allow the system to run for 5 seconds and release trigger. This should be done after every emptying of the dust collection box.

MAINTENANCE

Your DEWALTBLACK+DECKERBOSTITCHMAC TOOLS power tool has been designed to operate over a long period of time with a minimum of maintenance. Continuous satisfactory operation depends upon proper tool care and regular cleaning.

WARNING: To reduce the risk of serious personal injury, turn tool off and disconnect tool from power source before making any adjustments or removing/installing attachments or accessories. Be sure the trigger switch is in the OFF position. An accidental start-up can cause injury.

Your dust collector has been designed to operate over a long period of time with a minimum of maintenance. Continuous satisfactory operation depends on proper tool care and regular cleaning. Empty the dust extractor periodically or when the performance has noticeably decreased.

Replacing the Dust Collection Box Filter Assembly (Fig. F)

WARNING: Wear approved eye protection and approved dust mask when performing this procedure.

NOTE: The filter should be replaced after every 350 cycles of use.

1. Press the dust collection box release buttons **2** and pull the dust collection box away from the dust extraction system. Once the catch mechanism is clear of the dust extraction system the upper joint will also release allowing the dust collection box to be removed completely.
2. Discard dust collection box **1** replace with a new DWH302DH filter box.
3. Reattach the dust collection box to the dust extraction system. First insert the rounded profile of the upper joint into the recess on the dust extraction system. Pivot the dust collection box down so that the release buttons click back into place.

Attaching and Removing Small, Standard and Stop Bit Heads (Fig. H)

WARNING: Wear approved eye protection and approved dust mask when performing this procedure.

The dust brush **11** will wear during use and will need to be replaced at the same time as the filter.

- Insert the dust extraction head **10** into the end of telescope as shown in Figure H. The head will snap into place.
- To remove a dust extraction head from the unit, press and hold the release button **17**. Pull the dust extraction head out to remove.



Lubrication

Your dust extractor requires no additional lubrication.



Cleaning

WARNING: Wear approved eye protection and approved dust mask when performing this procedure.

WARNING: Do not use a brush to clean the dust collector or filter.

WARNING: Never use solvents or other harsh chemicals for cleaning the non-metallic parts of the tool. These chemicals may weaken the plastic materials used in these parts. Use a cloth dampened only with water and mild soap. Never let any liquid get inside the tool; never immerse any part of the tool into a liquid.

During intensive use the dust collector becomes clogged with dust. Refer to **Replacing The Dust Collector Box Filter Assembly**, under **Maintenance**.

Optional Accessories

WARNING: Since accessories, other than those offered by DEWALTBLACK+DECKERBOSTITCHMAC TOOLS, have not been tested with this product, use of such accessories with this tool could be hazardous. To reduce the risk of injury, only DEWALTBLACK+DECKERBOSTITCHMAC TOOLS recommended accessories should be used with this product.

Consult your dealer for further information on the appropriate accessories.

Protecting the Environment



Separate collection. Products and batteries marked with this symbol must not be disposed of with normal household waste.

Products and batteries contain materials that can be recovered or recycled reducing the demand for raw materials. Please recycle electrical products and batteries according to local provisions. Further information is available at www.2helpU.com.

集尘器


DWH205DH

恭喜!

感谢您选购 DeWALT 工具。凭借多年的产品开发和创新经验，DeWALT 已经成为专业电动工具用户最可靠的合作伙伴之一。


技术参数


DWH205DH		
电压	伏特 <small>直流</small>	18
接触压力	N	80
小型钻头		
最大钻头直径	毫米	12
最大钻头长度 (总长度)	毫米	180
最大钻孔深度	毫米	180
标准钻头		
最大钻头直径	毫米	26
最大钻头长度 (总长度)	毫米	180
最大钻孔深度	毫米	180
大型钻头		
最大钻头直径	毫米	38
最大钻头长度 (总长度)	毫米	180
最大钻孔深度	毫米	180
工具兼容性		仅限 DCH263
重量	千克	1.5


 **警告:** 为降低伤害风险，请阅读使用手册。

定义: 安全指南


下列定义描述了各标志术语的严重程度。请仔细阅读本手册，并注意这些标志。


 **危险:** 表示存在紧急危险情况，如果不加以避免，将导致死亡或严重伤害。

 **警告:** 表示存在潜在的危险情况，如果不加以避免，可能导致死亡或严重伤害。


 **警告:** 表示存在潜在的危险情况，如果不加以避免，可能导致轻度或中度伤害。

注意: 表示存在不涉及人身伤害的情况，如果不加以避免，可能导致财产损失。

 表示存在触电风险。

 表示存在火灾风险。

安全说明

 **警告!** 始终遵守您国家的适用安全规章，以降低火灾、触电和人身伤害的风险。

使用该附件前，请仔细阅读本手册。另请参阅将与该附件配套使用的任何电动工具的使用手册。

请保管好本手册，以备将来查阅。

安全总则

- 保持工作区整洁。** 杂乱的工作区及操作台会引发事故。
- 远离儿童。请勿让儿童接触本工具或延长线。** 16 岁以下的未成年人需在监督下操作本工具。
- 使用适当的工具。本使用手册描述了工具的设计用途。** 不要将小型工具或附加装置强制用于重型工具的作业中。使用与预期任务相适应的工具会让您更有效、更安全地执行工作。



警告: 使用本手册中所建议部件以外的任何其它配件、附加装置或执行任何操作，均可能存 在人身伤害的危险。

集尘系统附加安全细则

- 请勿将此附件用于在木材、钢材或塑料上进行钻孔。
- 请勿在岩心钻探应用中使用此附件。
- 请勿在凿切应用中使用此附件。
- 仅选择 DeWALT 推荐的电动工具与此附件搭配使用。如需了解更多与此附件兼容的 DeWALT 电动工具的相关信息，请参阅本手册背面所提供的地址以联系当地经销商，或访问 www.dewalt.com。
- 请勿在潮湿的环境中使用本工具。
- 请勿将其用作玩具。当儿童使用或靠近儿童时，必须进行密切注意。
- 仅按本手册中的说明进行使用。仅使用制造商推荐的附件。
- 请勿在吸嘴处放置任何物体。吸嘴出现堵塞情况时请勿使用；注意防止灰尘、线头、头发或任何可能阻挡气流的物体堵塞吸嘴。
- 头发、宽松衣物、手指和身体的所有部位都要远离吸嘴和运动部件。
- 请勿用于吸取易燃或易爆液体（如汽油）或将其用于存在上述物体的区域。

剩余风险

使用该集尘系统时具有下列风险：

- 碰触工具的旋转部件或发热部件会导致人身伤害 尽管遵守了相关的安全法规并采用了安全装备，某些 剩余风险仍然是无法避免的。这些风险包括：
- 听力损伤。
- 更换附件时夹到手指的风险。
- 在混凝土和/或砖石环境中工作时，吸入粉尘导致的 健康危害。

包装内的物品

包装内的物品包括：

- 1 个 集尘系统
- 1 本 说明手册
- 检查工具、部件或附件是否在运输过程中损坏。
- 操作前，请抽空仔细阅读并掌握本手册。

集尘系统上的标记

工具上印有下列图形：



使用前请阅读使用手册。

日期代码位置 (图 A)

包含制造年份的日期码打印在工具外壳上。

示例：

2018 XX XX
制造年份

说明 (图 A)



警告：切勿改装电动工具或其任何部件，否则可能会导致损坏或人身伤害。

- | | |
|-----------|------------|
| 1 集尘盒 | 7 集尘器环 |
| 2 集尘盒释放按钮 | 8 集尘器环释放按钮 |
| 3 过滤器清洁机制 | 9 工作灯 |
| 4 望远镜 | 10 集尘头 |
| 5 深度调节按钮 | 11 灰尘刷 |
| 6 长度调节按钮 | |

设计用途

您的集尘系统 DWH205DH 设计用于在砖石或混凝土专业钻锤中提取粉尘，并在电动工具上安装实心钻头。**请勿**用于在塑料，木材或金属上钻孔。**请勿**使用空心钻头或实心钻头。

该集尘系统适用于 DCH263 DeWALT 18V Max 充电式 SDS PLUS 电锤。

请勿在潮湿环境中或在易燃液体或气体存在的环境中使用本工具。

该集尘系统是用于专业电动工具的附件。

请勿让儿童接触本工具。缺乏经验的操作员需要在监督下使用本工具。

- **儿童和体弱者。**在没有他人监督的情况下，儿童或体弱者不适宜使用本产品。
- 本产品不适合体力、感官或智力不足以及缺乏经验、知识或技能的人员（包括儿童）使用，除非一旁有能为他们的安全负责的监督人员。不得在无人监督的情况下让儿童接触本产品。

工作灯 (图 A)



警示：切勿直视工作灯。这样可能会对眼睛造成严重伤害。

工作灯 9 位于集尘器的顶部。按压触发开关时，工作灯就会亮起，并将会在松开触发开关后的 20 秒自动关闭。如果触发开关处于按下状态，则工作灯会持续亮起。

注：工作灯用于照亮紧邻的工作表面，不能当做手电筒使用。

组装与调整



警告：为降低严重的人身伤害风险，在进行任何调整或取出/安装附件或配件之前，请关闭工具电源和断开工具电源连接。请确保触发开关处于 OFF（关闭）位置。意外启动可能会导致人身伤害。

安装及卸下集尘系统

安装集尘系统 (图 B-D)



警告：为降低人身伤害风险，请务必在正确安装并牢固拧紧侧手柄的情况下操作工具。否则，可能导致侧手柄在工具操作时滑动并随后失控。用双手握住工具以充分控制它。

1. 如果在电锤上进行安装，请取下电池组、钻头，侧手柄和深度调节杆。
2. 按下集尘器环释放按钮 8 以打开集尘器环 7。
3. 握住集尘器前部，并如图 C 所示将电锤插入集尘器，以确保电锤上的电气连接器 13 与集尘器 14 上的电气连接器对齐。
注：将集尘器连接到电锤时，请勿通过握持集尘盒固定集尘器。
4. 将电锤完全插入集尘器后，按下集尘器环以关闭工具。安全就位时电锤将正常卡入到位。
5. 须进行测试以确定集尘器是否正确安装在电锤上：
 - a. 安装集尘器。
 - b. 开始钻孔操作并在 6 毫米处停止。
 - c. 举起工具并检查集尘功能是否生效。集尘盒中应该没有碎片。
 - d. 如果集尘器正常运行，请继续操作。

拆卸集尘系统 (图 B)

如需拆卸集尘系统，请按下集尘器环释放按钮 8 以打开集尘器环 7，并将电锤从集尘器中平移取出。必须拆下侧手柄，以将集尘器正确存放于工具箱中。

操作

使用说明



警告：务必遵守安全指示和适用法规。



警告：为降低严重的人身伤害风险，在进行任何调整或取出/安装附件或配件之前，请关闭工具电源和断开工具电源连接。请确保触发开关处于关闭(OFF)位置。意外启动可能会导致人身伤害。



警告：为了您的自身安全，请先阅读使用手册，再操任何附件。如未遵守警告和说明，可能会导致人身伤害并严重损坏该工具和附件。维修时只能使用相同的替换部件。

正确的手持方式 (图 E)

警告: 为降低严重的人身伤害风险, 请务必使用正确的手持方式, 如图所示。

警告: 为降低严重的人身伤害风险, 请务必紧握工具以防止出现突然的反作用力。

正确的手持方式要求一只手握住主手柄, 另一只手则握住侧手柄。必须安装侧手柄才能正常使用。

开关

当电锤开启时, 集尘系统将自动启动。

过滤器清洁机制

过滤器清洁机制是通过电锤中的马达发动机迫使空气通过 HEPA 过滤器的一种工作原理。有关正确使用的说明, 请参阅 [清空集尘盒部分](#)。

电子关闭延迟

关闭电锤后, 集尘系统还将运行几秒钟, 以清除内部零件中的残余灰尘颗粒, 并将灰尘收集在集尘盒中。

设置钻孔深度 (图 A)

1. 按下集尘器侧面的深度调节按钮 **5**, 然后将望远镜完全伸展开。
2. 按下深度调节按钮, 将望远镜移动至所需的钻孔深度。
3. 释放按钮。

调节钻头长度 (图 A)

1. 插入相应的钻头。集尘器头设计用于直径达 25 毫米的钻头。
2. 将集尘器头 **10** 顶在墙面。
3. 推动工具使钻头接触表面。
4. 按下望远镜前的长度调节按钮 **6**, 并将其移动到所需的长度。释放按钮。
5. 轻轻地从墙上取下工具组件, 需注意弹簧加载机制不会松开。

清空集尘盒 (图 F, G)

警告: 执行此过程时, 需戴上经认可的护目装备和防尘面具。

警告: 不要用水或压缩空气清洁。

一旦性能明显降低或已集满灰尘, 应立即将集尘盒 **1** 清空。

1. 按下集尘盒释放按钮 **2**, 将集尘盒从集尘系统上拉出。一旦清除机制从集尘系统上移除, 上部接头也将松开, 使得集尘盒得以被完全取出。
2. 如需清空集尘盒 **1**, 请将其放置在适当的位置以便清除里面的灰尘。抬起组件释放门锁 **16** 以打开集尘盒, 并将盒子与盖子分开。轻轻拍打集尘盒以进一步清除过滤器内的残余灰尘。一旦过滤器盖子和盒子均被清空, 重新将其连接, 并确保组件释放门锁 **16** 已牢牢固定。参见图 G。

3. 如需将集尘盒重新连接到集尘系统, 首先将上部接头的圆形插头插入集尘系统的凹槽中。向下旋转集尘盒, 使释放按钮回归原位。参见图 F。

4. 正确安装集尘盒后, 按下过滤器清洁机制 **15** 并扣下工具上的扳机。先让系统运行 5 秒钟, 然后松开触发器。这一步骤应在每次清空集尘盒后进行。

维护

DEWALTBLACK+DECKERBOSTITCHMAC TOOLS 电动工具设计精良, 可以长期使用, 而且只需最少的维护。要持续获得令人满意的工作效果, 需要进行合适的工具维护和定期清洁。

警告: 为降低严重的人身伤害风险, 在进行任何调整或取出/安装附件或配件之前, 请关闭工具电源和断开工具电源连接。请确保触发开关处于 OFF (关闭) 位置。意外启动可能会导致人身伤害。

您的集尘器设计精良, 可以长期使用, 而且只需最少的维护。如需持续获得令人满意的工作效果, 需进行适当的工具维护和定期清洁。定期清空集尘器, 或当性能明显下降时进行清洁。

更换集尘盒过滤器组件 (图 F)

警告: 执行此过程时, 需戴上经认可的护目装备和防尘面具。

注: 每使用 350 次后, 应更换过滤器。

1. 按下集尘盒释放按钮 **2**, 将集尘盒从集尘系统上拉出。一旦清除机制从集尘系统上移除, 上部接头也将松开, 使得集尘盒得以被完全取出。
2. 丢弃集尘盒 **1**, 并以新的 DWH302DH 过滤盒取而代之。
3. 将集尘盒重新连接到集尘系统。首先将上部接头的圆形插头插入集尘系统的凹槽中。向下旋转集尘盒, 使释放按钮回归原位。

安装和拆卸小型, 标准和停止钻头 (图 H)

警告: 执行此过程时, 需戴上经认可的护目装备和防尘面具。

灰尘刷 **11** 在使用过程中会受到磨损, 需要与过滤器同时更换。

- 如图 H 所示, 将集尘头 **10** 插入望远镜的末端, 使集尘头卡入到位。
- 如需从设备上卸下集尘头, 请按住释放按钮 **17**。将集尘头扯出即可将其卸下。



润滑

您的集尘器无需另行润滑。



清洁



警告: 执行此过程时,需戴上经认可的护目装备和防尘面具。



警告: 请勿使用毛刷清洁集尘器或过滤器。



警告: 请勿使用溶剂或其它刺激性化学制品来清洁工具的非金属部件。这些化学物质可能会削弱这些部位使用的塑料材料。请用布蘸温和的肥皂水擦拭。切勿让任何液体渗入工具,切勿让工具的任何部件浸在液体中。

在密集且频繁的使用过程中,集尘器会被灰尘堵塞。请参阅**维护**部分中的**更换集尘盒过滤器组件**。

可选配件



警告: 除了 DEWALTBLACK+DECKERBOSTITCHMAC TOOLS 提供的附件之外,其他附件都未经此产品兼容性测试,若将此类附件与本工具一起使用将存在安全隐患。为降低人身伤害风险,本产品只可使用 DEWALTBLACK+DECKERBOSTITCHMAC TOOLS 推荐的附件。

请向您的经销商咨询更多关于合适附件的信息。

保护环境



分类回收。由此符号标记的产品和电池不得与普通家庭垃圾一起处理。

产品和电池包含可恢复或回收的材料,从而降低对原材料的需求。请根据当地供给回收电子产品和电池。要获得更多信息,请参看 www.2helpU.com。

塵屑收集器

DWH205DH

恭喜!

感謝您選購 DeWALT 工具。憑藉多年的經驗、完善的產品開發與創新，DeWALT 已成為專業電動工具使用者最可靠的合作夥伴之一。請注意! 各地區上市產品/配件不盡相同，請依台灣繁體中文說明書的內容為主。

技術資料

		DWH205DH
電壓	伏特 _{直流}	18
接觸壓力	N	80
小型鑽頭		
最大鑽頭直徑	公釐	12
最大鑽頭長度(總長度)	公釐	180
最大鑽孔深度	公釐	180
標準鑽頭		
最大鑽頭直徑	公釐	26
最大鑽頭長度(總長度)	公釐	180
最大鑽孔深度	公釐	180
大型鑽頭		
最大鑽頭直徑	公釐	38
最大鑽頭長度(總長度)	公釐	180
最大鑽孔深度	公釐	180
工具兼容性		僅限 DCH263
重量	kg	1.5



警告: 為了降低受傷的風險，必須仔細閱讀使用手冊。

定義：安全指南

以下定義描述了每一個詞彙的嚴重程度。請閱讀本手冊並注意這些符號。



危險: 表示緊急危險狀況，若未能避免，**將導致死亡或嚴重傷害**。



警告: 表示潛在危險情況，若未能避免，**可能導致死亡或嚴重傷害**。



小心: 表示潛在危險情況，若未能避免，**可能導致輕微或中度傷害**。

注意: 表示一種**非人身傷害**的行為，若未能避免，**可能導致財產損失**。



表示觸電危險。



表示火災危險。

安全說明



警告! 務必遵守您在國家/地區適用的安全規定，以降低火災、電擊和人身傷害的風險。

操作本附件前，請仔細閱讀本手冊全部內容。另請參閱將與此附件一起使用的任何電動工具的手冊。

請保存本手冊以備將來查閱

一般安全規則

- 請保持工作區域整潔。**凌亂的場所與工作臺可能導致傷害發生。
- 請讓兒童遠離工作區域。切勿讓兒童接觸本工具或延長線。**16 歲以下的未成年人需在監督下進行操作。
- 使用適合的工具。**本說明手冊中描述了設計用途。請勿超負荷使用小型工具或附件執行重型工具的工作。按設計能力使用本工具將能更好、更安全地完成工作。



警告: 使用非本說明書所推薦的任何其他配件或附件，或使用本工具執行任何其他操作，可能導致人身傷害。

集塵系統之其他特殊安全規定

- 請勿將本附件用於在木材、鋼材或塑料上鑽孔。
- 請勿在岩心鑽探應用中使用本附件。
- 請勿在擊打應用中使用本附件。
- 僅使用 DeWALT 推薦的電動工具與此附件一起使用。
- 請勿在潮濕環境下使用本工具。
- 請勿將其用作玩具。當兒童使用本工具或本工具靠近兒童時，必須密切注意。
- 請僅依本手冊規定使用工具。僅使用製造商推薦的附件。
- 請勿在裝置吸嘴處放入任何物件。吸嘴堵塞時請勿使用器具；注意防止灰塵、線頭、頭髮或任何可能阻擋氣流的物體堵塞吸嘴。
- 頭髮、寬松衣物、手指和身體的所有部位都要遠離吸嘴和活動部件。
- 請勿使用本產品吸取易燃或可燃液體（例如汽油）或在存在上述物質的區域使用本產品。

剩餘風險

使用此集塵系統有以下固有危險：

- 接觸工具的旋轉部件或高溫部件導致的傷害。即使應用有關的安全規定並採用安全設備，仍然還有一些無法避免的剩餘風險。危險包括：
- 聽力受損。
- 更換配件時擠壓手指的危險。
- 在混凝土和/或磚石工作環境下產生的可吸入粉塵對健康的危害。

套裝內的物件

本套裝包括：

- 1 個 集塵系統
- 1 本 使用手冊
- 檢查工具、部件或配件有否在運送途中損壞。
- 操作前，請抽空徹底地閱讀和掌握本手冊的內容。

集塵系統上的標記

工具上會附帶下列圖示：



使用前請閱讀使用手冊。

日期代碼位置 (圖 A)

日期代碼，包括製造年份，已經印刷在工具外殼上。

範例：

2018 XX XX

製造年份

說明 (圖 A)



警告：切勿改動本電動工具或其任何部件。否則可能導致損壞或人身傷害。

- | | |
|-----------|------------|
| 1 集塵盒 | 7 集塵器環 |
| 2 集塵盒釋放按鈕 | 8 集塵器環釋放按鈕 |
| 3 濾心清潔機構 | 9 工作燈 |
| 4 望遠鏡 | 10 集塵頭 |
| 5 深度調節按鈕 | 11 灰塵刷 |
| 6 長度調節按鈕 | |

設計用途

您的集塵系統 DWH205DH 設計用於在磚石或混凝土專業鑿鑽中提取粉塵，並在電動工具上安裝實心鑽頭。**請勿**用於在塑料，木材或金屬上鑽孔。**請勿**使用空心鑽頭或實心鑽頭。

該集塵系統適用於 DCH263 DeWALT 20V Max 充電式 SDS PLUS 電鑿鑽。20V Max 為最大初始電池電壓（無負載測量）。額定電壓為 18V。

請勿在潮濕有水或存有易燃液體或氣體的環境下使用本工具。

該集塵系統是用於專業電動工具的附件。

不要讓兒童接觸本工具。缺乏經驗的操作人員需要在監督下使用本工具。

- **兒童和體弱者。**兒童或體弱者在沒有他人監督的情況下不適宜使用本工具。
- 體力、感覺或智力不足，以及缺乏經驗、知識或技能的人員（包括兒童）不適合使用本產品，除非一旁有能為他們安全負責的監督人員。請勿讓兒童單獨接觸本工具。

工作燈 (圖 A)



小心：請勿凝視工作燈。可能導致嚴重的眼部傷害。

工作燈 9 位於集塵器的頂部。擠壓觸發開關時，工作燈就會亮起，並將會在鬆開觸發開關後的 20 秒自動關閉。如果觸發開關處於按下狀態，則工作燈會持續亮起。

註：工作燈用於照亮緊鄰的工作表面，而不是設計作為手電筒。

裝配與調整



警告：為了降低造成嚴重人身傷害的風險，在進行任何調整或卸下或安裝附件或配件之前，**切記關閉工具並斷開工具電源。**請確保觸發開關處於關閉 (OFF) 位置。意外啟動工具可能會造成傷害。

安裝和拆除集塵系統

安裝集塵系統 (圖 B-D)



警告：為減低受傷風險，務必在已正確地安裝並擰緊側手柄的情況下操作本工具。否則可能會導致側手柄在操作時鬆脫並失控。使用雙手操作本工具避免失控。

1. 如果在電鑿鑽上安裝，請取下電池組、鑽頭，側手柄和深度調節桿。
2. 按下集塵器環釋放按鈕 8 以打開集塵器環 7。
3. 如圖 C 所示，握住集塵器的前部，將電鑿鑽插入集塵器，確保電鑿鑽上的電氣連接器 13 與集塵器 14 上的電氣連接器對齊。
註：將集塵器連接到電鑿鑽時，請勿透過握住集塵器來固定集塵器。
4. 將電鑿鑽完全插入集塵器後，按下集塵器環以關閉。它會在固定時鎖定到位。
5. 需要測試以確定集塵器是否正確安裝在電鑿鑽上：
 - a. 安裝集塵器。
 - b. 開始鑽孔操作並在 6 公釐後停止。
 - c. 抬起工具並檢查集塵功能是否正常。不應該出現碎片。
 - d. 如果集塵器正常運行，請繼續工作。

拆下集塵系統 (圖 B)

若要拆下集塵系統，按下集塵器環釋放按鈕 8 以打開集塵器環 7，並將電鑿鑽從集塵器上滑下。

必須拆下側手柄，將集塵器正確存放在工具箱中。

操作

使用說明



警告：務必遵守安全指示和適用的規則。



警告：為了降低造成嚴重人身傷害的風險，在進行任何調整或卸下或安裝附件或配件之前，**切記關閉工具並斷開工具電源。**請確保觸發開關處於關閉 (OFF) 位置。意外啟動工具可能會造成傷害。

警告:為了您自身的安全,請先閱讀使用手冊,然後再對任何配件進行操作。若不注意以下警告,可能會導致人身傷害並導致工具和配件嚴重損壞。維修時,請僅使用完全一致的更換零件。

正確的雙手放置位置 (圖 E)

警告:為了減低嚴重人身傷害的風險,請務必如圖示那樣正確放置雙手。

警告:為了減低造成嚴重人身傷害的風險,預期有突然反作用力時務必握緊。

正確的雙手放置位置是一隻手放在側手柄上,另一隻手握住主手柄。必須安裝側手柄才能正常使用。

開關

當電鎚鑽開啟時,集塵系統將自動啟動。

濾心清潔機構

濾心清潔機構是使用電鎚鑽中的馬達迫使空氣通過 HEPA 濾心的工作原理。有關正確使用的說明,請參閱 **清空集塵盒**。

電子關閉延遲

關閉電鎚鑽後,集塵系統將繼續運行幾秒鐘,以清除內部零件中的剩餘灰塵顆粒,並將灰塵收集在集塵盒中。

設定鑽孔深度 (圖 A)

1. 按下集塵器側面的深度調節按鈕 **5**,然後完全伸展望遠鏡。
2. 按下深度調節按鈕,並將望遠鏡移動到所需的鑽孔深度。
3. 鬆開此按鈕。

調整電鑽深度 (圖 A)

1. 插入相應的鑽頭。集塵頭設計用於直徑達 25 公釐的鑽頭。
2. 將集塵頭 **10** 頂在牆面。
3. 推動工具使鑽頭接觸表面。
4. 按下望遠鏡前面的長度調節按鈕 **6** 並將其移動到所需的長度。鬆開此按鈕。
5. 輕輕地從牆上取下工具組件,注意彈簧加載機構不會鬆開。

清空集塵盒 (圖 F、G)

警告:執行此步驟時,請佩戴經認可的護目裝備和防塵面罩。

小心:請勿用水或壓縮空氣清潔。

一旦性能明顯降低或充滿灰塵,應將集塵盒 **1** 清空。

1. 按下集塵盒釋放按鈕 **2**,將集塵盒拉離集塵系統。一旦清潔機構從集塵系統中移除,上部接頭也將釋放,從而允許完全移除集塵盒。

2. 若要清空集塵盒 **1**,將其放置在合適的位置以便收集裡面的灰塵。抬起組件釋放門鎖 **16** 以打開集塵盒,將盒子與蓋子分開。輕輕拍打集塵盒以清除濾心內的殘留灰塵。一旦清空濾心蓋子和盒子,重新連接它們,確保組件釋放門鎖 **16** 牢牢固定。請參閱圖 G。
3. 若要將集塵盒重新連接到集塵系統,首先將上部接頭的圓形插頭插入集塵系統的凹槽中。向下旋轉集塵盒,使釋放按鈕彈回原位。請參閱圖 F。
4. 正確安裝集塵盒後,按下濾心清潔機構 **15** 並扣動工具上的觸發器。允許系統運行 5 秒鐘並釋放觸發器。每次清空集塵盒後都應該進行這一操作。

維護

DEWALT BLACK+DECKER BOSTITCH MAC TOOLS 電動工具採用卓越的設計,能夠長時間使用,並且只需最少的維護。若要持續獲得滿意的操作效果,需進行正確的工具維護和定期的清潔。

警告:為了降低造成嚴重人身傷害的風險,在進行任何調整或卸下或安裝附件或配件之前,切記關閉工具並斷開工具電源。請確保觸發開關處於關閉(OFF)位置。意外啟動工具可能會造成傷害。

您的塵屑收集器採用卓越的設計,能夠長時間使用,並且只需最少的維護。若要持續獲得滿意的操作效果,需進行正確的工具維護和定期的清潔。定期清空集塵器,或當性能明顯下降時進行清潔。

更換集塵盒濾心組件 (圖 F)

警告:執行此步驟時,請佩戴經認可的護目裝備和防塵面罩。

註:每使用 350 次後,應更換濾心。

1. 按下集塵盒釋放按鈕 **2**,將集塵盒拉離集塵系統。一旦清潔機構從集塵系統中移除,上部接頭也將釋放,從而允許完全移除集塵盒。
2. 丟棄集塵盒 **1**,並更換新的 DWH302DH 濾心盒。
3. 將集塵盒重新連接到集塵系統。首先將上部接頭的圓形插頭插入集塵系統的凹槽中。向下旋轉集塵盒,使釋放按鈕彈回原位。

安裝和拆卸小型、標準和停止位頭 (圖 H)

警告:執行此步驟時,請佩戴經認可的護目裝備和防塵面罩。

灰塵刷 **11** 在使用過程中會磨損,需要與濾心同時更換。

- 如圖 H 所示,將集塵頭 **10** 插入望遠鏡的末端,集塵頭將卡入到位。
- 若要從裝置上卸下集塵頭,請按住釋放按鈕 **17**。將集塵頭拉出以卸下。



潤滑

本集塵器毋需額外潤滑。



清潔



警告：執行此步驟時，請佩戴經認可的護目裝備和防塵面罩。



警告：請勿使用刷子清潔集塵盒或濾心。



警告：請勿使用溶劑或其他刺激性化學品來清潔工具的非金屬部件。這些化學品可能會削弱零件中使用的塑膠材料。只能使用抹布蘸中性肥皂水進行清潔。不要讓任何液體進入工具；不要讓工具的任何部分浸入液體中。

在密集使用過程中，集塵盒會被灰塵堵塞。請參閱維護中的**更換集塵盒濾心組件**。

選購配件



警告：由於非 DEWALTBLACK+DECKERBOSTITCHMAC TOOLS 所提供的配件未在本產品上進行過使用測試，在本產品上使用這些附件可能發生危險。為降低傷害危險，在本產品上只應使用 DEWALTBLACK+DECKERBOSTITCHMAC TOOLS 所推薦的配件。

如需進一步瞭解適用配件的相關資訊，請洽詢當地代理商。

保護環境



分開收集。帶有此標誌的產品和電池必須與一般家庭廢物分開處置。

產品和電池包含可重複使用或回收的材料，可降低對原材料的需求。請根據當地法規回收電氣產品和電池。更多資訊，請造訪

www.2helpU.com。

進口商：新加坡商百得電動工具(股)公司台灣分公司

地址：台北市士林區德行西路 33 號 2 樓

電話：02-28341741

總經銷商：永安實業股份有限公司

地址：新北市三重區新北大道二段 137 號

電話：02-29994633

집진기

DWH205DH

축하합니다!

DeWALT 공구를 선택해 주셔서 감사합니다. 제품 개발과 혁신을 통한 다년간의 경험은 DeWALT를 전문 전동 공구 사용자들이 가장 믿을 수 있는 제품으로 만들어 왔습니다.

기술 데이터

DWH205DH		
전압	V _{DC}	18
접지압	N	80
소형 헤드		
최대 드릴 비트 직경	mm	12
최대 드릴 비트 길이(전체)	mm	180
최대 드릴 깊이	mm	180
표준 헤드		
최대 드릴 비트 직경	mm	26
최대 드릴 비트 길이(전체)	mm	180
최대 드릴 깊이	mm	180
대형 헤드		
최대 드릴 비트 직경	mm	38
최대 드릴 비트 길이(전체)	mm	180
최대 드릴 깊이	mm	180
공구 호환	DCH263 만 해당	
무게	kg	1.5



경고: 부상 위험을 줄이려면 사용 설명서를 숙지하십시오.

정의: 안전 지침

다음 정의는 각 경고 문구의 심각도를 설명합니다. 사용 설명서를 읽고 다음 기호들에 유의하십시오.



위험: 절박한 위험 상태를 나타내며, 방지하지 않으면 **사망 또는 심각한 부상을 초래합니다.**



경고: 잠재적 위험 상태를 나타내며, 방지하지 않으면 **사망 또는 심각한 부상을 초래할 수 있습니다.**



주의: 잠재적으로 위험한 상태를 나타내며, 방지하지 않으면 **경미하거나 가벼운 부상을 초래할 수 있습니다.**



참고: 신체 부상을 초래하지 않는 행위를 나타내며, 방지하지 않으면 **재산상의 손해가 발생할 수 있습니다.**



감전 위험을 나타냅니다.



화재 위험을 나타냅니다.

안전 지침



경고! 화재, 감전 및 부상의 위험을 줄이려면 항상 해당 국가의 안전 규정을 준수하십시오.

부착물을 작동하기 전에 본 사용 설명서 전체 내용을 잘 읽고 숙지하십시오. 또한 이 부착물과 함께 사용용 전동 공구의 설명서도 참조하십시오.

향후 참고할 수 있도록 본 사용 설명서를 보관해두십시오.

일반 안전 규칙

- 작업 장을 깨끗하게 유지하십시오.** 어수선한 작업장과 작업대가 부상을 초래합니다.
- 어린이가 가까이 오지 못하게 하십시오. 어린이가 공구 또는 연장 코드를 만지지 않도록 하십시오.** 16세 미만의 작업자가 사용할 때는 감독자의 지도가 필요합니다.
- 적합한 공구를 사용하십시오.** 본 사용 설명서에 제품의 용도가 설명되어 있습니다. 고성능 공구로 수행할 작업을 위해 작은 공구 또는 부착물을 사용하여 힘을 가하지 마십시오. 용도에 맞는 속도로 작업할 때 작업을 더욱 안전하고 정확하게 수행할 수 있습니다.



경고: 사용 설명서에서 권장하는 방식 이외의 다른 방식으로 본 공구를 조작하거나 액세서리 또는 부착물을 사용하는 경우 신체 부상의 위험이 있을 수 있습니다.

집진장치에 특정하게 적용되는 추가 안전 규칙

- 목재, 철재 또는 플라스틱에서 드릴 작업을 할 때는 부착물을 사용하지 마십시오.
- 코어 드릴 작업에서는 부착물을 사용하지 마십시오.
- 치출링 작업에서는 부착물을 사용하지 마십시오.
- 이 부착물과는 DeWALT 에서 권장하는 전동 공구만 사용하십시오. 이 부착물과 호환되는 DeWALT 전동 공구에 대한 자세한 정보는, 해당 지역의 판매점에 문의하거나 본 설명서 뒤쪽에 있는 주소를 참조하거나 www.dewalt.com을 방문해 확인하십시오.
- 축축하거나 젖은 상태에서 공구를 사용하지 마십시오.
- 장난감으로 사용하지 않도록 하십시오. 어린이 옆이나 근처에서 사용할 때는 특별한 주의가 필요합니다.
- 본 설명서에서 설명한 대로 사용하길 권장합니다. 제조업체의 권장 부품만 사용하십시오.
- 틈새에 어떤 물체를 넣지 마십시오. 구멍을 막은 채로 사용하지 마십시오. 먼지, 실, 머리카락 및 기타 공기 흐름에 방해가 되는 것들을 제거하십시오.
- 머리카락, 털겨운 옷, 손가락 및 모든 신체 부분을 구멍 및 작동 부품으로부터 멀리 하십시오.
- 가솔린 등 인화성 또는 가연성 액체를 치우거나 그러한 물질이 있을 수 있는 곳에서 사용하지 마십시오.

기타 발생 가능한 위험

집진 장치 사용 시에는 다음과 같은 위험이 수반됩니다.

- 공구의 회전부를 만지거나 가열된 부위에 닿아 발생한 부상.

관련된 안전 규정을 준수하고 안전 장치를 사용한다고 해도 특정한 위험은 피할 수 없습니다. 이러한 위험은 다음과 같습니다.

- 청력 손상.
- 액세서리 교체 시 손가락이 눌리는 위험.
- 콘크리트 및/또는 석재 가공 시 발생한 먼지를 들이마셔서 발생할 수 있는 건강 위험.

포장 내용물

포장에는 다음 내용물이 들어 있습니다.

- 1 집진 장치
- 1 사용 설명서
- 운반 중에 발생할 수 있는 공구, 부품 또는 액세서리의 손상 여부를 확인하십시오.
- 작동 전에 시간을 내어 본 사용 설명서를 읽고 숙지하십시오.

집진 장치에 표시된 마크

공구에는 다음과 같은 그림이 있습니다.



사용 전에 사용 설명서의 내용을 숙지하십시오.

날짜 코드 위치(그림 A)

날짜 코드에는 제조연도가 포함되어 이 제조연도는 케이스에 인쇄되어 있습니다.

예:

2018 XX XX

제조연도

설명(그림 A)

경고: 전동 공구 또는 전동 공구의 어떤 부품도 절대 개조하지 마십시오. 제품이 파손되거나 신체 부상을 당할 수도 있습니다.

- | | |
|----------------|---------------|
| 1 집진 박스 | 7 집진기 링 |
| 2 집진 박스 탈착 버튼 | 8 집진기 링 탈착 버튼 |
| 3 필터 클리닝 기계 장치 | 9 작업등 |
| 4 망원경 | 10 집진 장치 헤드 |
| 5 깊이 조정 버튼 | 11 먼지 브러시 |
| 6 길이 조정 버튼 | |

용도

집진 장치 DWH205DH는 단단한 드릴 비트를 전동 공구에 장착한 상태에서 석재 또는 콘크리트에서 전문적인 햄머 드릴 작업 시 먼지를 배출하기 위한 용도로 설계되었습니다. 플라스틱, 목재 또는 금속을 드릴하는 데 사용하지 **마십시오**. 우묵한 비트 또는 코어 비트를 사용하지 **마십시오**.

이 집진 장치에는 DCH263 DeWALT 18V 최대 충전식 SDS PLUS 햄머가 장착됩니다.

습한 환경이나 가연성 액체 또는 가스가 있는 장소에서 사용하지 **마십시오**.

집진 장치는 전동 전동 공구와 함께 사용할 수 있도록 고안된 부착물입니다.

어린이가 이 공구를 만지지 않도록 하십시오. 경험이 없는 작업자가 이 공구를 사용할 때는 감독자의 지도가 필요합니다.

- 어린이 및 노약자.** 본 제품은 어린이나 노약자가 사용하도록 설계되지 않았습니다. 이러한 사람이 사용할 때는 감독이 필요합니다.
- 본 제품은 안전 책임을 맡고 있는 사람이 감독을 하고 있지 않은 한 경험, 지식 또는 기술이 부족하고 신체적, 감각적 또는 정신적 능력이 미약한 사람(어린이 포함) 이 사용하도록 고안된 것이 아닙니다. 이 제품과 함께 어린이만 혼자 두어서는 안됩니다.

작업등(그림 A)

경고: 작업등을 쳐다보지 마십시오. 심각한 눈 부상을 당할 수 있습니다.

작업등 9 은 집진기 위쪽에 있습니다. 트리거 스위치를 누르면 작업등이 켜지고 트리거 스위치에서 손을 떼면 20 초가 경과하면 자동으로 꺼집니다. 트리거 스위치를 누르고 있으면 작업등이 계속 켜집니다.

참고: 작업등은 인접한 작업대를 비추기 위한 것이며 손전등으로 사용하기 위한 것이 아닙니다.

조립 및 조정

경고: 심각한 신체 부상의 위험을 줄이려면 부착물 또는 액세서리를 조정하거나 제거/설치하기 전에 공구를 끄고 전원에서 공구 플러그를 빼십시오. 트리거 스위치가 꺼짐 위치에 있는지 반드시 확인하십시오. 공구가 갑자기 작동하여 부상을 당할 수 있습니다.

집진장치 장착 및 분리

집진 장치를 장착하려면(그림 B-D)

경고: 신체 부상의 위험을 줄이려면 항상 사이드 핸들이 제대로 설치되고 단단히 조여진 상태에서 공구를 작동하십시오. 그렇지 않으면 사이드 핸들이 공구 작업 중에 미끄러져 제어력을 잃을 수 있습니다. 제어력을 극대화하려면 공구를 두 손으로 잡으십시오.

- 로타리 햄머에 장착된 경우, 배터리 팩, 드릴 비트, 사이드 핸들 및 깊이 조절봉을 분리하십시오.
- 집진기 링 탈착 버튼 8 을 눌러서 집진기 링 7 을 엽니다.
- 집진기 앞쪽을 잡고, 그림 C 와 같이 햄머를 집진기에 끼우고, 햄머의 전기 커넥터 13 가 집진기 14 의 전기 커넥터와 맞추어 졌는지 확인하십시오.
참고: 햄머에 장착할 때 집진 박스로 집진기를 잡지 마십시오.
- 집진기에 햄머를 완전히 삽입한 상태에서, 집진기 링을 돌려 닫습니다. 고정되면 제자리에서 짹짹하는 소리가 납니다.
- 로타리 햄머에 집진기가 제대로 설치되었는지 확인하려면 다음과 같이 테스트합니다.

- a. 집진기를 설치합니다.
- b. 드릴 작업을 시작하고 6 mm 후 정지합니다.
- c. 공구를 들어 올려서 집진 기능이 작동 중인지 확인하십시오. 파편이 없어야 합니다.
- d. 집진기가 제대로 작동 중인 경우 작업을 계속하십시오.

집진 장치를 분리하려면(그림 B)

집진 장치를 분리하려면, 집진기 링 탈착 버튼 **8** 을 눌러서 집진기 링 **7** 을 열고 햄머를 집진기에서 뺍니다.

집진기를 키트박스에 넣어 제대로 보관하려면 사이드 핸들을 분리해야 합니다.

조작

사용 지침

- !** **경고:** 안전 지시 사항과 해당 규정을 항상 준수하십시오.
- !** **경고:** 심각한 신체 부상의 위험을 줄이려면 부착물 또는 액세서리를 조정하거나 제거/설치하기 전에 공구를 끄고 전원에서 공구 플러그를 빼십시오. 트리거 스위치가 꺼짐 위치에 있는지 반드시 확인하십시오. 공구가 갑자기 작동하여 부상을 당할 수 있습니다.
- !** **경고:** 안전을 위해서 액세서리를 사용하기 전에 공구 사용 설명서를 읽으십시오. 이러한 경고에 주의를 기울이지 않으면 부상을 입거나 공구와 액세서리가 심각하게 손상될 수 있습니다. 이 공구를 정비할 때는 동일한 교체 부품만 사용하십시오.

올바른 손의 위치(그림 E)

- !** **경고:** 심각한 신체 부상의 위험을 줄이려면 항상 그림과 같이 올바른 세 손을 위치하십시오.
- !** **경고:** 심각한 신체 부상의 위험을 줄이려면 항상 급작스러운 반동을 예상하고 확실하게 잡으십시오.

올바른 손의 위치가 되려면 한 손은 주 핸들을 놓고, 다른 손은 햄머의 사이드 핸들을 놓아야 합니다. 올바른 사용을 위해 사이드 핸들을 설치해야 합니다.

스위치

로타리 햄머가 켜지면 집진 장치가 자동으로 시작됩니다.

필터 클리닝 기계 장치

필터 클리닝 기계 장치는 공기가 HEPA 필터를 통과하도록 하기 위해 로타리 햄머에서 모터를 사용하는 기능입니다. 적절한 사용에 대한 지침은 **집진 박스 비우기**를 참조하십시오.

전자 스위치-꺼짐 지연

로타리 햄머를 끈 후에, 집진 장치는 내부 부품에 남아 있는 먼지입자를 진공 청소하고 집진 박스로 먼지를 모으기 위해 몇 초 간 더 작동됩니다.

드릴 깊이 설정(그림 A)

1. 집진기 측면에 있는 깊이 조정 버튼 **5** 을 누르고 망원경을 완전히 펴니다.

2. 깊이 조정 버튼을 누르고 망원경을 원하는 드릴 깊이까지 이동합니다.
3. 버튼을 놓습니다.

드릴 길이 조정(그림 A)

1. 적절한 드릴 비트를 삽입합니다. 집진기 헤드는 최대 25 mm 직경의 비트용으로 고안되었습니다.
2. 집진 장치 헤드 **10** 를 벽에 대고 잡습니다.
3. 공구를 밀어서 드릴 비트가 표면에 닿도록 만듭니다.
4. 망원경의 앞쪽에 길이 조정 버튼 **6** 을 누르고 원하는 길이로 이동합니다. 버튼을 놓습니다.
5. 스프링 부하식 기계 장치가 풀리지 않도록 주의하면서 벽에서 공구 어셈블리를 살짝 빼냅니다.

집진 박스 비우기(그림 F, G)

- !** **경고:** 이 절차를 수행할 때에는 승인된 눈 보호 장구 및 승인된 방진 마스크를 착용하십시오.
- !** **주의:** 물이나 압축 공기로 청소하지 마십시오.

집진 박스 **1** 는 성능이 크게 떨어지거나 내용물이 팍 차는 즉시 내용물을 비워야 합니다.

1. 집진 박스 탈착 버튼 **2** 을 누르고 집진 장치에서 집진 박스를 빼냅니다. 걸쇠 기계 장치가 집진 장치에 없으면, 상단 접합부 또한 집진 박스가 완전히 분리될 수 있도록 해제됩니다.
2. 집진 박스 **1** 의 내용물을 비우려면, 안에 들어있는 먼지를 쓸 수 있는 적합한 통 위에 놓습니다. 어셈블리 잠금 버튼 **16** 을 들어 올려서 집진 박스를 열고, 뚜껑에서 여과통을 분리합니다. 집진 박스를 살짝 두드려서 필터 내에 걸린 모든 먼지가 제거될 수 있도록 합니다. 필터 뚜껑과 금속 용기가 비워지면, 다시 장착하고 어셈블리 잠금 버튼 **16** 이 확실하게 잠겼는지 확인하십시오. 그림 G를 참조하십시오.
3. 집진 박스를 집진 장치에 다시 장착하려면, 먼지 상단 접합부의 동근 측면을 집진 장치의 우묵 들어간 곳에 끼웁니다. 탈착 버튼이 제자리에 다시 짚각하고 들어가도록 집진 박스를 돌립니다. 그림 F를 참조하십시오.
4. 집진 박스를 제대로 설치한 상태에서, 필터 클리닝 기계 장치 **15** 를 누르고 공구의 트리거를 짚습니다. 장치를 5초간 작동시킨 다음 트리거를 놓습니다. 이는 집진 박스를 비울 때마다 수행해야 합니다.

유지 보수

DEWALTBLACK+DECKERBOSTITCHMAC TOOLS 전동 공구는 최소한의 유지보수로 장기간에 걸쳐 작업이 가능하도록 설계되어 있습니다. 만족스러운 연속 작동은 적절한 공구 관리와 정기적인 청소에 따라 그 성능이 달라질 수 있습니다.

- !** **경고:** 심각한 신체 부상의 위험을 줄이려면 부착물 또는 액세서리를 조정하거나 제거/설치하기 전에 공구를 끄고 전원에서 공구 플러그를 빼십시오. 트리거 스위치가 꺼짐 위치에 있는지 반드시 확인하십시오. 공구가 갑자기 작동하여 부상을 당할 수 있습니다.

먼지 흡입부는 최소한의 유지 보수로 장기간에 걸쳐 작업이 가능하도록 설계되어 있습니다. 만족스러운 연속 작동은 적절한 공구 관리와 정기적인 청소에 따라 그 성능이 달라질 수 있습니다. 정기적으로 또는 성능이 크게 저하되면 집진기의 내용물을 비우십시오.

집진 박스 필터 어셈블리 교체하기 (그림 F)

경고: 이 절차를 수행할 때에는 승인된 눈 보호 장구 및 승인된 방진 마스크를 착용하십시오.

참고: 필터는 매 350회 사용 후 교체해야 합니다.

1. 집진 박스 탈착 버튼 **2** 을 누르고 집진 장치에서 집진 박스를 빼냅니다. 결쇠 기계 장치가 집진 장치에 없으면, 상단 접합부 또한 집진 박스가 완전히 분리될 수 있도록 해제됩니다.
2. 집진 박스 **1** 을 버리고 새 DWH302DH 필터 박스로 교체합니다.
3. 집진 박스를 집진 장치에 다시 장착합니다. 먼저 상단 접합부의 둥근 측면을 집진 장치의 우묵 들어간 곳에 끼웁니다. 탈착 버튼이 제자리에 다시 짚각하고 들어가도록 집진 박스를 돌립니다.

소형, 표준 및 스톱 비트 헤드 장착 및 분리(그림 H)

경고: 이 절차를 수행할 때에는 승인된 눈 보호 장구 및 승인된 방진 마스크를 착용하십시오.

먼지 브러시 **11** 는 사용 중에 마모되므로 필터와 동시에 교체해야 합니다.

- 그림 H와 같이 망원경 끝에 집진 장치 헤드 **10** 를 끼웁니다. 헤드가 제자리로 들어갑니다.
- 장치에서 집진 장치 헤드를 분리하려면, 탈착 버튼 **17** 을 누릅니다. 집진 장치 헤드를 당겨 빼서 분리합니다.



운할방법

집진기는 별도의 운할 작업이 필요하지 않습니다.



청소

- 경고:** 이 절차를 수행할 때에는 승인된 눈 보호 장구 및 승인된 방진 마스크를 착용하십시오.
- 경고:** 집진기 또는 필터를 청소하는 데 브러시를 사용하지 마십시오.
- 경고:** 공구의 금속 이외의 부품을 청소할 때는 용제 등의 강력한 화학약품을 절대 사용하지 마십시오. 그렇지 않으면 이러한 부분에 사용된 플라스틱 재료가 약해질 수 있습니다. 형광에 물과 순한 비누를 적셔 닦아주십시오. 공구 내부에 액체를 넣거나 공구 부품을 액체에 담그는 행동은 절대 금물입니다.

집중적으로 사용하면 집진기가 먼지로 막힐 수 있습니다. 유지보수 아래 **집진기 박스 필터 어셈블리 교체하기**를 참조하십시오.

선택 액세서리

- 경고:** DeWALTBLACK+DECKERBOSTITCHMAC TOOLS 에서 제공하지 않은 액세서리는 본 제품에서 테스트되지 않았으므로 본 제품에서 이러한 액세서리를 사용하면 위험할 수 있습니다. 신체 부상의 위험을 줄이려면 본 제품에 알맞은 액세서리만 사용해야 합니다.

해당 액세서리에 대한 자세한 정보는 판매 대리점으로 문의하십시오.

환경보호



분리 수거. 이 기호가 표시된 제품과 배터리를 일반 가정용 쓰레기와 함께 처리하면 안됩니다. 제품과 배터리에는 재용되거나 재활용되고 고철 자원에 대한 수요를 줄일 수 있는 자재가 포함되어 있습니다. 전기 제품과 배터리는 지역 규정에 따라 재활용하십시오. 자세한 내용은 www.2helpU.com에서 찾아 볼 수 있습니다.