
DEWALT®

DWE8100T
DWE8100S
DWE8110S

www.DEWALT.com

Figure 1

DWE8100S DWE8110S

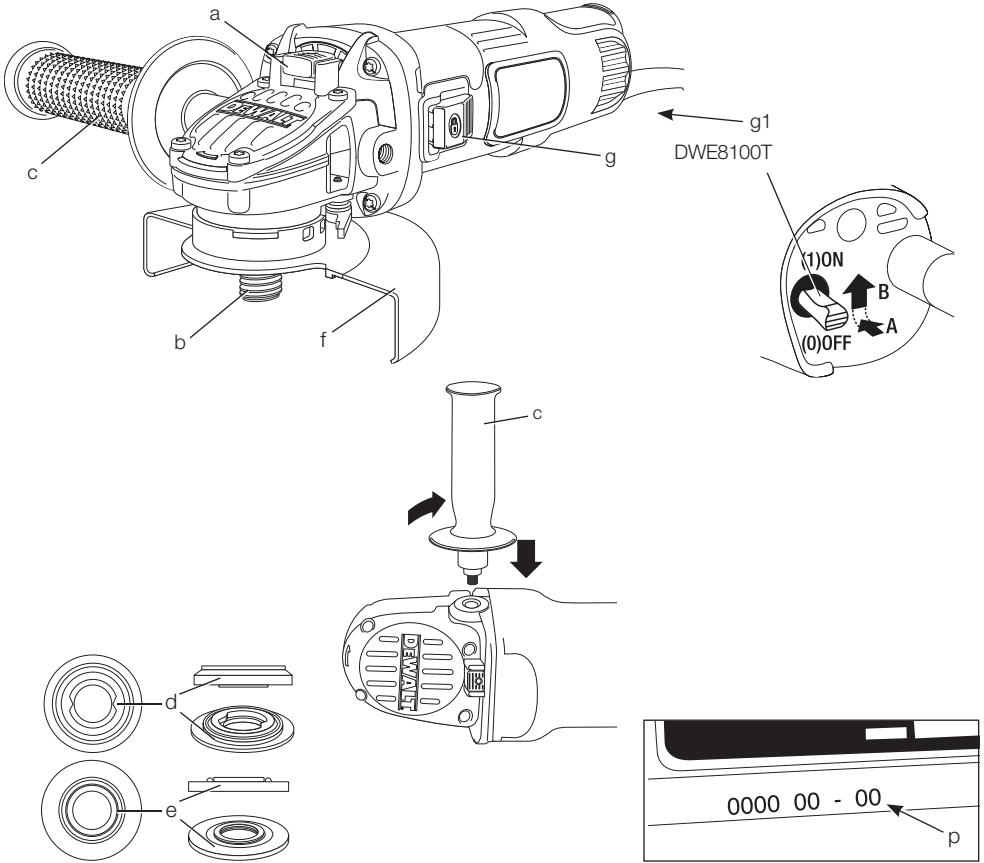


Figure 2

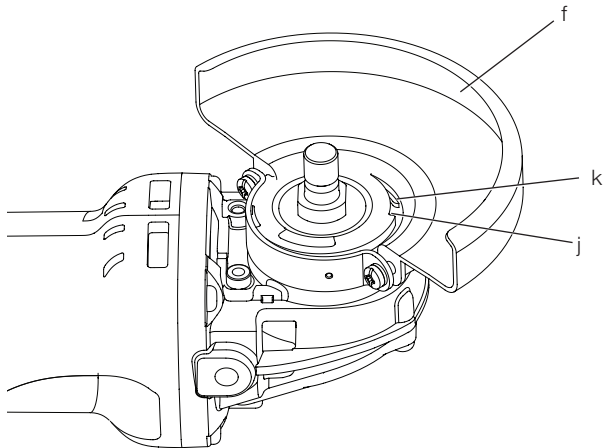
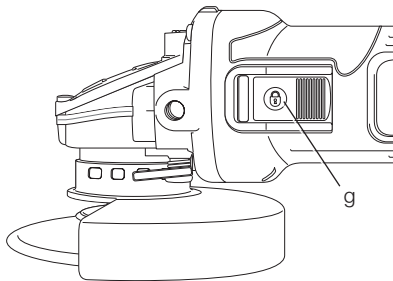


Figure 3

DWE8100S DWE8110S



DWE8100T

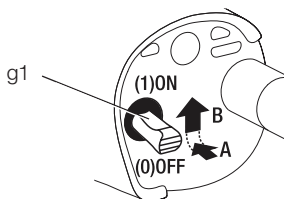


Figure 4

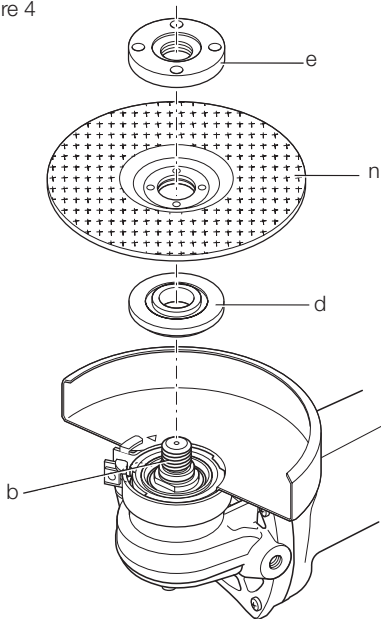


Figure 5

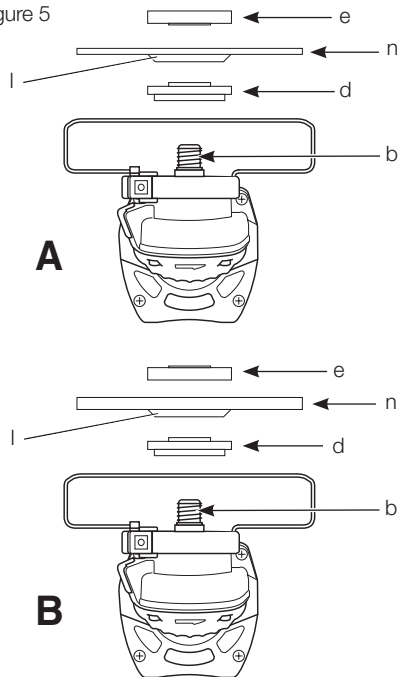
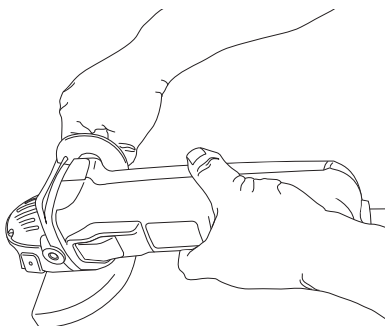


Figure 6



ANGLE GRINDERS

DWE8100T, DWE8100S, DWE8110S

Congratulations!

You have chosen a DEWALT tool. Years of experience, thorough product development and innovation make DEWALT one of the most reliable partners for professional power tool users.

Technical Data

		DWE8100T	DWE8100S	DWE8110S
Voltage	V	220	220	220
Type		1	1	1
Power input	W	720	720	720
No-load/rated speed	/min	12000	12000	12000
Wheel diameter	mm	100	100	125
Spindle diameter		M10	M10	M14
Switch style		toggle	slide	slide
Weight	kg	1.55*	1.58*	1.79*

* weight DWE8100T & DWE8100S without side handle, DWE8110S include guard and side handle

Definitions: Safety Guidelines

The definitions below describe the level of severity for each signal word. Please read the manual and pay attention to these symbols.



DANGER: Indicates an imminently hazardous situation which, if not avoided, **will result in death or serious injury.**



WARNING: Indicates a potentially hazardous situation which, if not avoided, **could result in death or serious injury.**



CAUTION: Indicates a potentially hazardous situation which, if not avoided, **may result in minor or moderate injury.**

NOTICE: Indicates a practice **not related to personal injury** which, if not avoided, **may result in property damage.**



Denotes risk of electric shock.



Denotes risk of fire.



WARNING: To reduce the risk of injury, read the instruction manual.

General Power Tool Safety Warnings



WARNING! Read all safety warnings and all instructions. Failure to follow the warnings and instructions may result in electric shock, fire and/or serious injury.

SAVE ALL WARNINGS AND INSTRUCTIONS FOR FUTURE REFERENCE

The term "power tool" in the warnings refers to your mains-operated (corded) power tool or battery-operated (cordless) power tool.

1) WORK AREA SAFETY

- Keep work area clean and well lit.** Cluttered or dark areas invite accidents.
- Do not operate power tools in explosive atmospheres, such as in the presence of flammable liquids, gases or dust.** Power tools create sparks which may ignite the dust or fumes.
- Keep children and bystanders away while operating a power tool.** Distractions can cause you to lose control.

2) ELECTRICAL SAFETY

- Power tool plugs must match the outlet. Never modify the plug in any way. Do not use any adapter plugs with earthed (grounded) power tools.** Unmodified plugs and matching outlets will reduce risk of electric shock.

- b) **Avoid body contact with earthed or grounded surfaces such as pipes, radiators, ranges and refrigerators.** There is an increased risk of electric shock if your body is earthed or grounded.
- c) **Do not expose power tools to rain or wet conditions.** Water entering a power tool will increase the risk of electric shock.
- d) **Do not abuse the cord. Never use the cord for carrying, pulling or unplugging the power tool. Keep cord away from heat, oil, sharp edges or moving parts.** Damaged or entangled cords increase the risk of electric shock.
- e) **When operating a power tool outdoors, use an extension cord suitable for outdoor use.** Use of a cord suitable for outdoor use reduces the risk of electric shock.
- f) **If operating a power tool in a damp location is unavoidable, use a residual current device (RCD) protected supply.** Use of an RCD reduces the risk of electric shock.

3) PERSONAL SAFETY

- a) **Stay alert, watch what you are doing and use common sense when operating a power tool. Do not use a power tool while you are tired or under the influence of drugs, alcohol or medication.** A moment of inattention while operating power tools may result in serious personal injury.
- b) **Use personal protective equipment. Always wear eye protection.** Protective equipment such as dust mask, non-skid safety shoes, hard hat, or hearing protection used for appropriate conditions will reduce personal injuries.
- c) **Prevent unintentional starting. Ensure the switch is in the off position before connecting to power source and/or battery pack, picking up or carrying the tool.** Carrying power tools with your finger on the switch or energising power tools that have the switch on invites accidents.
- d) **Remove any adjusting key or wrench before turning the power tool on.** A wrench or a key left attached to a rotating part of the power tool may result in personal injury.
- e) **Do not overreach. Keep proper footing and balance at all times.** This enables better control of the power tool in unexpected situations.
- f) **Dress properly. Do not wear loose clothing or jewellery. Keep your hair,**

clothing and gloves away from moving parts. Loose clothes, jewellery or long hair can be caught in moving parts.

- g) **If devices are provided for the connection of dust extraction and collection facilities, ensure these are connected and properly used.** Use of dust collection can reduce dust-related hazards.

4) POWER TOOL USE AND CARE

- a) **Do not force the power tool. Use the correct power tool for your application.** The correct power tool will do the job better and safer at the rate for which it was designed.
- b) **Do not use the power tool if the switch does not turn it on and off.** Any power tool that cannot be controlled with the switch is dangerous and must be repaired.
- c) **Disconnect the plug from the power source and/or the battery pack from the power tool before making any adjustments, changing accessories, or storing power tools.** Such preventive safety measures reduce the risk of starting the power tool accidentally.
- d) **Store idle power tools out of the reach of children and do not allow persons unfamiliar with the power tool or these instructions to operate the power tool.** Power tools are dangerous in the hands of untrained users.
- e) **Maintain power tools. Check for misalignment or binding of moving parts, breakage of parts and any other condition that may affect the power tool's operation. If damaged, have the power tool repaired before use.** Many accidents are caused by poorly maintained power tools.
- f) **Keep cutting tools sharp and clean.** Properly maintained cutting tools with sharp cutting edges are less likely to bind and are easier to control.
- g) **Use the power tool, accessories and tool bits etc., in accordance with these instructions taking into account the working conditions and the work to be performed.** Use of the power tool for operations different from those intended could result in a hazardous situation.

5) SERVICE

- a) **Have your power tool serviced by a qualified repair person using only identical replacement parts.** This will ensure that the safety of the power tool is maintained.

ADDITIONAL SPECIFIC SAFETY RULES

Safety Instructions for All Operations

- a) **This power tool is intended to function as a grinder, sander, wire brush, polisher or cut-off tool. Read all safety warnings, instructions, illustrations and specifications provided with this power tool.** Failure to follow all instructions listed below may result in electric shock, fire and/or serious injury.
- b) **Do not use accessories which are not specifically designed and recommended by the tool manufacturer.** Just because the accessory can be attached to your power tool, it does not assure safe operation.
- c) **The rated speed of the accessory must be at least equal to the maximum speed marked on the power tool.** Accessories running faster than their rated speed can break and fly apart.
- d) **The outside diameter and the thickness of your accessory must be within the capacity rating of your power tool.** Incorrectly sized accessories cannot be adequately guarded or controlled.
- e) **The arbour size of wheels, flanges, backing pads or any other accessory must properly fit the spindle of the power tool.** Accessories with arbour holes that do not match the mounting hardware of the power tool will run out of balance, vibrate excessively and may cause loss of control.
- f) **Do not use a damaged accessory. Before each use inspect the accessory such as abrasive wheel for chips and cracks, backing pad for cracks, tear or excess wear, wire brush for loose or cracked wires. If power tool or accessory is dropped, inspect for damage or install an undamaged accessory. After inspecting and installing an accessory, position yourself and bystanders away from the plane of the rotating accessory and run the power tool at maximum no-load speed for one minute.** Damaged accessories will normally break apart during this test time.
- g) **Wear personal protective equipment. Depending on application, use face shield, safety goggles or safety glasses. As appropriate, wear dust mask, hearing protectors, gloves and workshop apron capable of stopping small abrasive or workpiece fragments.** The eye protection must be capable of stopping flying debris generated by various operations. The dust mask or respirator must be capable of filtering particles generated by your operation. Prolonged exposure to high intensity noise may cause hearing loss.
- h) **Keep bystanders a safe distance away from work area. Anyone entering the work area must wear personal protective equipment.** Fragments of workpiece or of a broken accessory may fly away and cause injury beyond immediate area of operation.
- i) **Hold power tool by insulated gripping surfaces only, when performing an operation where the cutting accessory may contact hidden wiring or its own cord.** Cutting accessory contacting a "live" wire may make exposed metal parts of the power tool "live" and could give the operator an electrical shock.
- j) **Position the cord clear of the spinning accessory.** If you lose control, the cord may be cut or snagged and your hand or arm may be pulled into the spinning accessory.
- k) **Never lay the power tool down until the accessory has come to a complete stop.** The spinning accessory may grab the surface and pull the power tool out of your control.
- l) **Do not run the power tool while carrying it at your side.** Accidental contact with the spinning accessory could snag your clothing, pulling the accessory into your body.
- m) **Regularly clean the power tool's air vents.** The motor's fan will draw the dust inside the housing and excessive accumulation of powdered metal may cause electrical hazards.
- n) **Do not operate the power tool near flammable materials.** Sparks could ignite these materials.
- o) **Do not use accessories that require liquid coolants.** Using water or other liquid coolants may result in electrocution or shock.

FURTHER SAFETY INSTRUCTIONS FOR ALL OPERATIONS

Causes and Operator Prevention of Kickback

Kickback is a sudden reaction to a pinched or snagged rotating wheel, backing pad, brush or any other accessory. Pinching or snagging causes rapid stalling of the rotating accessory which in turn causes the uncontrolled power tool to be forced in the direction opposite of the accessory's rotation at the point of the binding.

For example, if an abrasive wheel is snagged or pinched by the workpiece, the edge of the wheel that is entering into the pinch point can dig into the surface of the material causing the wheel to climb out or kick out. The wheel may either jump toward or away from the operator, depending on direction of the wheel's movement at the point of pinching. Abrasive wheels may also break under these conditions.

Kickback is the result of tool misuse and/or incorrect operating procedures or conditions and can be avoided by taking proper precautions as given below:

- a) **Maintain a firm grip on the power tool and position your body and arm to allow you to resist kickback forces. Always use auxiliary handle, if provided, for maximum control over kickback or torque reaction during start up.** The operator can control torque reaction or kickback forces, if proper precautions are taken.
- b) **Never place your hand near the rotating accessory.** Accessory may kickback over your hand.
- c) **Do not position your body in the area where power tool will move if kickback occurs.** Kickback will propel the tool in direction opposite to the wheel's movement at the point of snagging.
- d) **Use special care when working corners, sharp edges etc. Avoid bouncing and snagging the accessory.** Corners, sharp edges or bouncing have a tendency to snag the rotating accessory and cause loss of control or kickback.
- e) **Do not attach a saw chain woodcarving blade or toothed saw blade.** Such blades create frequent kickback and loss of control.

Safety Warnings Specific for Grinding and Abrasive Cutting-Off Operations

- a) **Use only wheel types that are recommended for your power tool and the specific guard designed for the selected wheel.** Wheels for which the power tool was not designed cannot be adequately guarded and are unsafe.
- b) **The guard must be securely attached to the power tool and positioned for maximum safety, so the least amount of wheel is exposed towards the operator.** The guard helps to protect operator from broken wheel fragments and accidental contact with wheel.
- c) **Wheels must be used only for recommended**

applications. For example: do not grind with the side of cut-off wheel. Abrasive cut-off wheels are intended for peripheral grinding, side forces applied to these wheels may cause them to shatter.

- d) **Always use undamaged wheel flanges that are of correct size and shape for your selected wheel.** Proper wheel flanges support the wheel thus reducing the possibility of wheel breakage. Flanges for cut-off wheels may be different from grinding wheel flanges.
- e) **Do not use worn down wheels from larger power tools.** Wheel intended for larger power tool is not suitable for the higher speed of a smaller tool and may burst.

Additional Safety Warnings Specific for Abrasive Cutting-Off Operations

- a) **Do not "jam" the cut-off wheel or apply excessive pressure. Do not attempt to make an excessive depth of cut.** Overstressing the wheel increases the loading and susceptibility to twisting or binding of the wheel in the cut and the possibility of kickback or wheel breakage.
- b) **Do not position your body in line with and behind the rotating wheel.** When the wheel, at the point of operations, is moving away from your body, the possible kickback may propel the spinning wheel and the power tool directly at you.
- c) **When wheel is binding or when interrupting a cut for any reason, switch off the power tool and hold the power tool motionless until the wheel comes to a complete stop. Never attempt to remove the cut-off wheel from the cut while the wheel is in motion otherwise kickback may occur.** Investigate and take corrective action to eliminate the cause of wheel binding.
- d) **Do not restart the cutting operation in the workpiece. Let the wheel reach full speed and carefully reenter the cut.** The wheel may bind, walk up or kickback if the power tool is restarted in the workpiece.
- e) **Support panels or any oversized workpiece to minimize the risk of wheel pinching and kickback.** Large workpieces tend to sag under their own weight. Supports must be placed under the workpiece near the line of cut and near the edge of the workpiece on both sides of the wheel.
- f) **Use extra caution when making a "pocket cut" into existing walls or other blind areas.**

The protruding wheel may cut gas or water pipes, electrical wiring or objects that can cause kickback.

- **Always use side handle. Tighten the handle securely.** The side handle should always be used to maintain control of the tool at all times.

Safety Warnings Specific for Sanding Operations

- a) **Do not use excessively oversized sanding disc paper. Follow manufacturer's recommendations, when selecting sanding paper.** Larger sanding paper extending beyond the sanding pad presents a laceration hazard and may cause snagging, tearing of the disc or kickback.

Safety Warnings Specific for Polishing Operations

- a) **Do not allow any loose portion of the polishing bonnet or its attachment strings to spin freely. Tuck away or trim any loose attachment strings.** Loose and spinning attachment strings can entangle your fingers or snag on the workpiece.

Safety Warnings Specific for Wire Brushing Operations

- a) **Be aware that wire bristles are thrown by the brush even during ordinary operation. Do not overstress the wires by applying excessive load to the brush.** The wire bristles can easily penetrate light clothing and/or skin.
- b) **If the use of a guard is recommended for wire brushing, do not allow any interference of the wire wheel or brush with the guard.** Wire wheel or brush may expand in diameter due to work and centrifugal forces.

Additional Safety Rules for Grinders

- Threaded mounting of accessories must match the grinder spindle thread. For accessories mounted by flanges, the arbor hole of the accessory must fit the locating diameter of the flange. Accessories that do not match the mounting hardware of the power tool will run out of balance, vibrate excessively and may cause loss of control.
- The grinding surface of the centre depressed wheels must be mounted below the plane of the guard lip. An improperly mounted wheel that projects through the plane of the guard lip cannot be adequately protected.
- **Do not use Type 11 (flaring cup) wheels on this tool.** Using inappropriate accessories can result in injury.

Residual Risks

In spite of the application of the relevant safety regulations and the implementation of safety devices, certain residual risks cannot be avoided. These are:

- Impairment of hearing.
- Risk of personal injury due to flying particles.
- Risk of burns due to accessories becoming hot during operation.
- Risk of personal injury due to prolonged use.
- Risk of dust from hazardous substances.

Markings on Tool

The following pictograms are shown on the tool:



Read instruction manual before use.



Wear eye protection.

DATE CODE POSITION (FIG. 1)

The date code (p), which also includes the year of manufacture, is printed into the housing.

Example:

2012 XX XX

Year of Manufacture

Package Contents

The package contains:

- 1 Angle grinder
- 1 Guard
- 1 Side handle(DWE8110S only)
- 1 Flange set
- 1 Hex key(DWE8110S only)
- 1 Wrench (DWE8100S & DWE8100T only)
- 1 Instruction manual
- Check for damage to the tool, parts or accessories which may have occurred during transport.
- Take the time to thoroughly read and understand this manual prior to operation.

Description (fig. 1)



WARNING: Never modify the power tool or any part of it. Damage or personal injury could result.

- a. Spindle lock button
- b. Spindle
- c. Side handle(DWE8110S only)
- d. Backing flange
- e. Threaded clamp nut
- f. Guard
- g. Slider switch(DWE8100S & DWE8110S)
- g1. Toggle switch(DWE8100T)

INTENDED USE

The DWE8100S, DWE8100T, DWE8110S small angle grinders have been designed for professional grinding, sanding, wire brushing, polishing and cutting applications.

DO NOT use grinding wheels other than centre depressed wheels and flap discs.

DO NOT use under wet conditions or in the presence of flammable liquids or gases.

These heavy-duty angle grinders are professional power tools.

DO NOT let children come into contact with the tool. Supervision is required when inexperienced operators use this tool.

- This product is not intended for use by persons (including children) suffering from diminished physical, sensory or mental abilities; lack of experience, knowledge or skills unless they are supervised by a person responsible for their safety. Children should never be left alone with this product.

Electrical Safety

The electric motor has been designed for one voltage only. Always check that the power supply corresponds to the voltage on the rating plate.



This tool is double insulated; therefore no earth wire is required. Always check that the power supply corresponds to the voltage on the rating plate.



WARNING: 115 V units have to be operated via a fail-safe isolating transformer with an earth screen between the primary and secondary winding.

If the supply cord is damaged, it must be replaced by a specially prepared cord available through the DEWALT service organisation.

Using an Extension Cable

If an extension cable is required, use an approved 3-core extension cable suitable for the power input of this tool (see **Technical Data**). The minimum conductor size is 1.5 mm²; the maximum length is 30 m.

When using a cable reel, always unwind the cable completely.

ASSEMBLY AND ADJUSTMENTS



WARNING: To reduce the risk of serious personal injury, turn tool off and disconnect tool from power source before making any adjustments or removing/installing attachments or accessories. Before reconnecting the tool, depress and release the trigger switch to ensure that the tool is off.

Attaching Side Handle (fig. 1)



WARNING: Before using the tool, check that the handle is tightened securely.

Screw the side handle (c) tightly into one of the holes on either side of the gear case. The side handle should always be used to maintain control of the tool at all times.

Accessories and Attachments

It is important to choose the correct guards, backing pads and flanges to use with grinder accessories. Refer to chart at the end of this section for information on choosing the correct accessories.

Note: Edge grinding and cutting can be performed with Type 27 wheels designed and specified for this purpose.



WARNING: Accessories must be rated for at least the speed recommended on the tool warning label. Wheels and other accessories running over rated accessory speed may burst and cause injury. Threaded accessories must have a M10 hub (for DWE8100T, DWE8100S) or a M14 hub (for DWE8110S). Every unthreaded accessory must have a 22 mm arbor hole. If it does not, it may have been designed for a circular saw and should not be used. Use only the

accessories shown in chart at the end of this section. Accessory ratings must be above listed minimum wheel speed as shown on tool nameplate.

may result in damage to the tool or the wheel.

Mounting Guards (fig. 2)

WARNING: To reduce the risk of serious personal injury, turn tool off and disconnect tool from power source before making any adjustments or removing/installing attachments or accessories.

Before reconnecting the tool, depress and release the trigger switch to ensure that the tool is off.



CAUTION: Guards must be used with this grinder.

When using the DWE8100S or the DWE8100T or the DWE8110S grinder for cutting metal or masonry a Type 1 guard **MUST** be used. Type 1 guards are available at extra cost from DEWALT distributors.

NOTE: Please refer to the **Grinding and Cutting Accessory Chart** at the end of this section to see other accessories that can be used with these grinders.

MOUNTING CLOSED (TYPE 1) OR STANDARD (TYPE 27) GUARD



CAUTION: Turn off and unplug the tool before making any adjustments or removing or installing attachments or accessories. Before reconnecting the tool, turn the switch on and off to ensure that the tool is off.

Hubbed wheels install directly on the M10 (DWE8100T, DWE8100S), M14 (DWE8110S) spindle. Thread of accessory must match thread of spindle.

1. Loosen screw, until the guard lug (k) can rotate freely in the groove (j) on the gear case hub.
2. Rotate guard (f) into desired working position. The guard body should be positioned between the spindle and the operator to provide maximum operator protection.
3. Tighten the screw to secure the guard on the gear case cover. (Fasten torque no less than 2.5 N-M). You should be unable to rotate the guard by hand. Do not operate grinder with a loose guard.
4. To remove the guard, loosen screw and pull up on the guard.



CAUTION: Failure to properly seat the wheel before turning the tool on

Fitting and Removing a Grinding or Cutting Disc (fig. 1, 4, 5)



WARNING: Do not use a damaged disc.

1. Place the tool on a table, guard up.
2. Fit the backing flange (d) correctly onto the spindle (b) (fig. 4).
3. Place the disc (n) on the backing flange (d). When fitting a disc with a raised centre, make sure that the raised centre (l) is facing the backing flange (d).
4. Screw the threaded clamp nut (e) onto the spindle (b) (fig. 5):
 - a. The ring on the threaded clamp nut (e) must face towards the disc when fitting a grinding disc (fig. 5A);
 - b. The ring on the threaded clamp nut (e) must face away from the disc when fitting a cutting disc (fig. 5B).
5. Press the spindle lock button (a) and rotate the spindle (b) until it locks in position.
6. Tighten the threaded clamp nut (e) with the wrench or the hex key provided
7. Release the spindle lock.
8. To remove the disc, loosen the threaded clamp nut (e) with the wrench or the hex key provided.

NOTE: Edge grinding and cutting can be performed with Type 27 wheels designed and specified for this purpose; 6 mm thick wheels are designed for surface grinding while 3 mm wheels are designed for edge grinding. Cutting can also be performed by using a Type 1 wheel and a Type 1 guard.

The recommended diameter of grinding or cutting disc for the tool is 100mm (DWE8100S, DWE8100T) or 125mm (DWE8110S).

Mounting Wire Brushes and Wire Wheels

Wire cup brushes or wire wheels screw directly on the grinder spindle without the use of flanges. Use only wire brushes or wheels provided with a M10 (DWE8100S & DWE8100T) or M14 (DWE8110S) threaded hub. A Type 27 guard is required when using wire brushes and wheels.



CAUTION: Wear work gloves when handling wire brushes and wheels. They can become sharp.



CAUTION: Wheel or brush must not touch guard when mounted or while in use. Undetectable damage could occur to the accessory, causing wires to fragment from accessory wheel or cup.

1. Thread the wheel on the spindle by hand.
2. Depress spindle lock button and use a wrench on the hub of the wire wheel or brush to tighten the wheel.
3. To remove the wheel, reverse the above procedure.

NOTICE: Failure to properly seat the wheel hub before turning the tool on may result in damage to tool or wheel.

The recommended diameter of Wire Brushes and Wire Wheels for the tool is 100mm(DWE8100S, DWE8100T) or 125mm(DWE8110S) .

Fitting and Removing a Backing pad/Sanding sheet

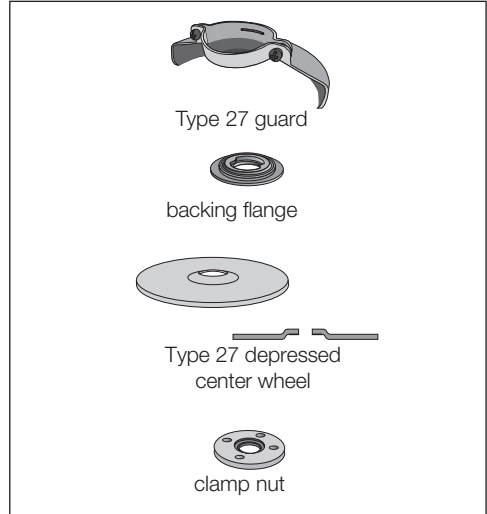
1. Place the tool on a table or flat surface, with the guard facing up.
2. Remove the backing flange (d).
3. Place the rubber backing pad correctly onto the spindle (b).
4. Place the sanding sheet on the rubber backing pad.
5. Screw the threaded clamp nut (e) onto the spindle. The ring on the threaded clamp nut must face towards the rubber backing pad.
6. Press the spindle lock button (a) and rotate the spindle (b) until it locks in position.
7. Tighten the threaded clamp nut (e) with the hex key provided or a two pin spanner.
8. Release the spindle lock.
9. To remove the rubber backing pad, loosen the threaded clamp nut (e) with the hex key provided or a two pin spanner.

The recommended diameter of backing pad/sanding sheet for the tool is 100mm(DWE8100S, DWE8100T) or 125mm(DWE8110S) .

Fitting a Wire Cup Brush

Screw the wire cup brush directly onto the spindle without the use of the spacer and threaded flange.

100mm Grinding Wheels



Type 27 guard

backing flange

Type 27 depressed center wheel

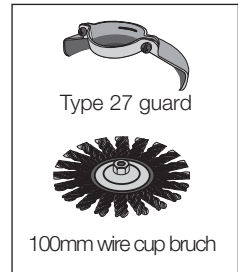
clamp nut

Wire Wheels



Type 27 guard

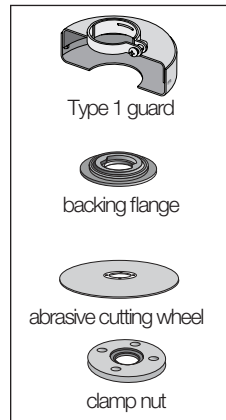
75mm wire cup brush



Type 27 guard

100mm wire cup brush

100mm Cutting Wheels

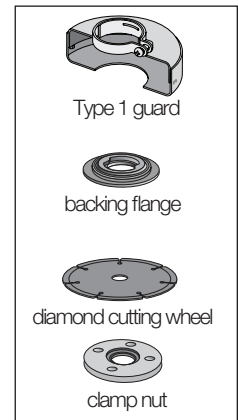


Type 1 guard

backing flange

abrasive cutting wheel

clamp nut



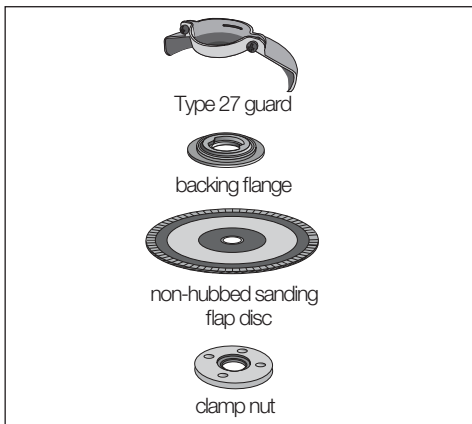
Type 1 guard

backing flange

diamond cutting wheel

clamp nut

100mm Sanding Flap Discs



create a hazard and cause personal injury.

- Apply only a gentle pressure to the tool. Do not exert side pressure on the disc.
- Avoid overloading. Should the tool become hot, let it run a few minutes under no load condition.

Proper Hand Position (fig. 6)



WARNING: To reduce the risk of serious personal injury, **ALWAYS** use proper hand position as shown.



WARNING: To reduce the risk of serious personal injury, **ALWAYS** hold securely in anticipation of a sudden reaction.

Proper hand position requires one hand on the side handle (figure 1), with the other hand on the body of the tool, as shown in figure 6.

Switches



CAUTION: Hold the body of the tool firmly to maintain control of the tool at start up and during use and until the wheel or accessory stops rotating. Make sure the wheel has come to a complete stop before laying the tool down.

NOTE: To reduce unexpected tool movement, do not switch the tool on or off while under load conditions. Allow the grinder to run up to full speed before touching the work surface. Lift the tool from the surface before turning the tool off. Allow the tool to stop rotating before putting it down.

SLIDER SWITCH DWE8100S & DWE8110S (FIG. 3)



WARNING: Before connecting the tool to a power supply, be sure the slider switch is in the off position by pressing the rear part of the switch and releasing. Ensure the slider switch is in the off position as described above after any interruption in power supply to the tool, such as the activation of a ground fault interrupter, throwing of a circuit breaker, accidental unplugging, or power failure. If the slider switch is locked on when the power is connected, the tool will start unexpectedly.

To start the tool, slide the slider switch (g) toward the front of the tool. To stop the tool, release the slider switch.

For continuous operation, slide the switch toward the front of the tool and press the forward part of the switch inward. To stop the tool while operating

Prior to Operation

- Install the guard and appropriate disc or wheel. Do not use excessively worn discs or wheels.
- Be sure the inner and outer flanges are mounted correctly.
- Make sure the disc or wheel rotates in the direction of the arrows on the accessory and the tool.

OPERATION

Instructions for Use



WARNING: Always observe the safety instructions and applicable regulations.



WARNING: To reduce the risk of serious personal injury, **turn tool off and disconnect tool from power source before making any adjustments or removing/installing attachments or accessories.** Before reconnecting the tool, depress and release the trigger switch to ensure that the tool is off.



WARNING:

- Ensure all materials to be ground or cut are secured in place.
- Secure and support the workpiece. Use clamps or a vice to hold and support the workpiece to a stable platform. It is important to clamp and support the workpiece securely to prevent movement of the workpiece and loss of control. Movement of the workpiece or loss of control may

in continuous mode, press the rear part of the slider switch and release.

TOGGLE SWITCH DWE8100T (FIG. 3)



WARNING: Before using the tool, check that the handle is tightened securely.

To turn on the tool, lift up the button(g1) to "1" position, to turn off the tool, push the toggle switch Button(g1) to "0" position.



WARNING: Do not switch the tool on or off when under load.

Spindle Lock (fig. 1)

The spindle lock (a) is provided to prevent the spindle from rotating when installing or removing wheels. Operate the spindle lock only when the tool is turned off, unplugged from the power supply, and has come to a complete stop.

NOTICE: To reduce the risk of damage to the tool, do not engage the spindle lock while the tool is operating. Damage to the tool will result and attached accessory may spin off possibly resulting in injury.

To engage the lock, depress the spindle lock button and rotate the spindle until you are unable to rotate the spindle further.

Metal Applications

When using the tool in metal applications, make sure that a residual current device (RCD) has been inserted to avoid residual risks caused by metal swarf.

If the power supply is shut off by the RCD, take the tool to authorised DEWALT repair agent.



WARNING: In extreme working conditions, conductive dust can accumulate inside the machine housing when working with metal. This can result in the protective insulation in the machine becoming degraded with a potential risk of an electrical shock.

To avoid build-up of metal swarf inside the machine, we recommend to clear the ventilation slots on a daily basis. Refer to **Maintenance**.

Using Flap Discs



WARNING: Metal dust build-up. Extensive use of flap discs in metal applications can result in the increased potential for electric shock. To reduce this risk, insert an RCD before use

and clean the ventilation slots daily by blowing dry compressed air into the ventilation slots in accordance with the below maintenance instructions.

MAINTENANCE

Your DEWALT power tool has been designed to operate over a long period of time with a minimum of maintenance. Continuous satisfactory operation depends upon proper tool care and regular cleaning.



WARNING: To reduce the risk of serious personal injury, turn tool off and disconnect tool from power source before making any adjustments or removing/installing attachments or accessories. Before reconnecting the tool, depress and release the trigger switch to ensure that the tool is off.

Pop-off Brushes

The motor will be automatically shut off indicating that the carbon brushes are nearly worn out and that the tool needs servicing. The carbon brushes are not user-serviceable. Take the tool to an authorised DEWALT repair agent.



Lubrication

Your power tool requires no additional lubrication.



Cleaning



WARNING: Blow dirt and dust out of the main housing with dry air as often as dirt is seen collecting in and around the air vents. Wear approved eye protection and approved dust mask when performing this procedure.



WARNING: Never use solvents or other harsh chemicals for cleaning the non-metallic parts of the tool. These chemicals may weaken the materials used in these parts. Use a cloth dampened only with water and mild soap. Never let any liquid get inside the tool; never immerse any part of the tool into a liquid.

Optional Accessories



WARNING: Since accessories, other than those offered by DEWALT, have not been tested with this product, use of such accessories with this tool could be hazardous. To reduce the risk of injury, only DEWALT recommended accessories should be used with this product.

Consult your dealer for further information on the appropriate accessories.

Protecting the Environment



Separate collection. This product must not be disposed of with normal household waste.

Should you find one day that your DEWALT product needs replacement, or if it is of no further use to you, do not dispose of it with household waste. Make this product available for separate collection.



Separate collection of used products and packaging allows materials to be recycled and used again. Re-use of recycled materials helps prevent environmental pollution and reduces the demand for raw materials.

Local regulations may provide for separate collection of electrical products from the household, at municipal waste sites or by the retailer when you purchase a new product.

DEWALT provides a facility for the collection and recycling of DEWALT products once they have reached the end of their working life. To take advantage of this service please return your product to any authorised repair agent who will collect them on our behalf.

You can check the location of your nearest authorised repair agent by contacting your local DEWALT office at the address indicated in this manual. Alternatively, a list of authorised DEWALT repair agents and full details of our after-sales service and contacts are available on the Internet at: **www.2helpU.com**.

앵글 그라인더 DWE8100T, DWE8100S, DWE8110S

축하합니다!

DeWALT 공구를 선택해 주셔서 감사합니다. DeWALT 는 오랜 경험과 제품 개발 및 혁신을 통해 전문 전동 공구 사용자들이 인정하는 기업으로 자리잡아 왔습니다.

기술 데이터

		DWE8100T	DWE8100S	DWE8110S
전압	V	220	220	220
유형		1	1	1
소비전력	W	720	720	720
무부하/정격 속도	/min	12000	12000	12000
휠 직경	mm	100	100	125
스핀들 직경		M10	M10	M14
스위치 스타일		토글	슬라이드	슬라이드
무게	kg	1.55*	1.58*	1.79*

* 무게 DWE8100T & DWE8100S (사이드 핸들 제외), DWE8110S (가드 및 사이드 핸들 포함)

정의: 안전 지침

다음 정의는 각 경고 문구의 심각도를 설명합니다. 사용 설명서를 읽고 다음 기호들에 유의하십시오.



위험: 절박한 위험 상태를 나타내며, 방지하지 않으면 **사망 또는 심각한 부상을 초래합니다.**



경고: 잠재적 위험 상태를 나타내며, 방지하지 않으면 **사망 또는 심각한 부상을 초래할 수 있습니다.**



주의: 잠재적 위험 상태를 나타내며, 방지하지 않으면 **경미한 부상을 초래할 수 있습니다.**

참고: 신체 부상을 초래하지 않는 행위를 나타내며, 방지하지 않으면 **재산상의 손해가 발생할 수 있습니다.**



감전 위험을 나타냅니다.



화재 위험을 나타냅니다.



경고: 부상 위험을 줄이려면 사용 설명서를 숙지하십시오.

전동 공구에 관한 일반 안전 경고



경고! 모든 안전 경고와 모든 지시사항을 읽으십시오. 경고와 지시사항을 준수하지 않으면 감전, 화재 및/또는 심각한 부상을 초래할 수 있습니다.

항후 참고할 수 있도록 모든 경고 및 지시 사항을 보관해두십시오.

경고에서 사용된 "전동 공구"라는 용어는 주 공급 전원 에 의해 전기가 공급되는(유선) 전동 공구 또는 충전식(무선) 전동 공구를 의미합니다.

1) 작업장 안전

- 작업 영역을 청결히 하고 조명을 밝게 유지하십시오.** 혼잡하거나 어두운 작업장에서는 사고가 발생하기 쉽습니다.
- 가연성 액체, 가스 또는 먼지 등이 있는 폭발성 대기에서 전동 공구를 사용하지 마십시오.** 전동 공구에서 먼지나 가스를 발사시킬 수 있는 불꽃이 될 수 있습니다.
- 전동 공구로 작업하는 동안에는 어린이와 주변 사람들이 작업 영역에 가까이 들어오지 못하도록 하십시오.** 주변이 산만해져 통제력을 잃을 수 있습니다.

2) 전기 안전

- 전동 공구의 플러그는 콘센트와 형식이 일치해야 합니다.** 플러그를 어떤 방식으로든 절대 개조하지 마십시오. 접지된 (지면 접지) 전동 공구에 어떤 어댑터 플러그도 사용하지 마십시오. 개조되지 않은 플러그

및 형식이 일치하는 콘센트를 사용하면 감전 위험이 줄어듭니다.

- b) 파이프, 라디에이터, 렌지 및 냉장고 등과 같이 접지된 표면에 신체가 접촉하지 않도록 하십시오. 신체가 접지되어 있으면 감전 위험이 높아집니다.
- c) 전동 공구를 비 또는 습한 환경에 노출하지 않도록 주의하십시오. 전동 공구에 물이 들어가면 감전 위험이 높아집니다.
- d) 코드를 함부로 다루지 마십시오. 코드를 사용하여 전동 공구를 운반하거나 잡아당기거나 플러그를 뽑지 마십시오. 열, 오일, 날카로운 모서리 또는 움직임은 부품에서 멀리 떨어진 장소에 코드를 보관하십시오. 코드가 손상되거나 얽혀 있으면 감전 위험이 높아집니다.
- e) 전동 공구를 실외에서 사용할 때는 실외 사용에 적합한 연장 코드를 사용하십시오. 실외 사용에 적합한 코드를 사용하면 감전 위험이 줄어듭니다.
- f) 어쩔 수 없이 습한 장소에서 전동 공구를 사용해야 하는 경우에는 누전 차단기(RCD)로 보호된 전원을 공급하십시오. RCD를 사용하면 감전 위험이 줄어듭니다.

3) 신체 안전

- a) 전동 공구로 작업할 때는 방심하지 말고 작업에 주의하면서 양식을 따르십시오. 피곤한 상태이거나 약물, 술, 치료제를 복용한 상태에서는 전동 공구를 사용하지 마십시오. 전동 공구를 사용하는 중에 주의력을 잃어 순간적으로 부상을 당할 수 있습니다.
- b) 신체 보호 장비를 착용하십시오. 항상 보안경을 착용하십시오. 적합한 상황에서 방진 마스크, 미끄럼 방지 안전화, 안전모 또는 청력 보호 기구 등의 보호 장비를 사용하면 신체 부상 위험이 줄어듭니다.
- c) 의도하지 않은 장비 가동 방지. 전원 및/또는 배터리 팩에 연결한 상태로 공구를 선택 또는 운반할 때는 사전에 스위치가 꺼짐 위치에 있는지 반드시 확인하십시오. 스위치가 켜짐 위치에 있는 상태에서 스위치에 손가락이 닿은 상태로 전동 공구를 운반하거나 전동 공구에 전원을 공급하면 사고가 발생할 수 있습니다.
- d) 전동 공구를 켜기 전에 모든 조정 키 또는 렌치를 제거하십시오. 전동 공구의 회전 부품에 렌치나 키가 부착되어 있으면 부상을 당할 수 있습니다.
- e) 무리하게 팔을 뻗지 마십시오. 항상 올바른 자세로 서서 균형을 유지하십시오. 그러면 예기치 않은 상황에서 전동 공구에 대한 제어력이 향상됩니다.

- f) 적절한 작업복을 착용합니다. 헐렁한 옷이나 장신구를 착용하지 마십시오. 머리카락, 옷 및 장갑이 움직이는 부품에 닿지 않도록 유의하십시오. 헐렁한 옷, 장신구 또는 긴 머리가 움직이는 부품에 걸 수 있습니다.
- g) 먼지 배출 및 집진 시설 연결을 위한 장치가 제공된 경우, 이들 장치가 연결되어 적절히 사용되고 있는지 반드시 확인하십시오. 집진 장치를 사용하면 먼지와 관련된 위험을 줄일 수 있습니다.

4) 전동 공구 사용 및 관리

- a) 전동 공구에 무리한 힘을 가하지 마십시오. 해당 용도에 맞는 올바른 전동 공구를 사용하십시오. 올바른 전동 공구를 사용해야 설계된 속도로 작업을 더욱 안전하고 정확하게 수행할 수 있습니다.
- b) 커져거나 꺼지지 않는 경우 전동 공구를 사용하지 마십시오. 스위치로 제어되지 않는 전동 공구는 위험하며 수리해야 합니다.
- c) 전동 공구를 조정하거나 액세서리를 변경하거나 보관하기 전에 전원 및/또는 배터리 팩에서 플러그를 뽑으십시오. 이러한 예방적 안전 조치를 따라야 전동 공구가 갑자기 작동할 위험이 줄어듭니다.
- d) 사용하지 않는 전동 공구는 어린이의 손이 닿지 않는 곳에 보관하고, 전동 공구나 본 지시 사항에 익숙하지 않은 사람이 전동 공구를 절대 사용하지 못하게 하십시오. 전동 공구는 훈련을 받지 않은 사용자가 다루면 위험합니다.
- e) 전동 공구 유지 보수. 움직이는 부품의 잘못된 정렬이나 바인딩, 부품 파손 및 기타 전동 공구의 작동에 영향을 미칠 수 있는 기타 모든 상태를 확인하십시오. 손상된 부분이 있는 경우 사용하기 전에 전동 공구를 수리하십시오. 많은 사고는 전동 공구를 제대로 유지 보수하지 않아 발생합니다.
- f) 절단 공구를 예리하고 깨끗한 상태로 유지하십시오. 절단식 가장자리를 예리하게 잘 유지하면 절단기를 사용할 때 바인딩이 적고 다루기가 용이합니다.
- g) 작업 환경과 수행할 작업을 고려하여, 본 지시 사항에 따라 전동 공구, 액세서리 및 톨 비트 등을 사용하십시오. 본 사용 설명서의 내용과 다른 용도로 전동 공구를 사용하면 위험한 상황이 발생할 수 있습니다.

5) 정비

- a) 자격을 갖춘 기술자가 동일 교체 부품을 사용하여 정비 작업을 수행해야 합니다. 그래야 전동 공구의 안전이 보장됩니다.

추가 특수 안전 규칙

모든 조작에서의 안전 지시 사항

- a) 이 전동 공구는 그라인더, 샌더, 와이어 브러쉬, 광택기 또는 절단 공구로 사용할 수 없습니다. 이 전동 공구와 함께 제공되는 모든 안전 경고와 지시사항, 설명 및 사양을 읽으십시오. 아래 설명한 모든 지시 사항을 따르지 않으면 감전, 화재 및/또는 심각한 부상을 초래할 수 있습니다.
- b) 공구 제조업체가 구체적으로 설계하고 권장하지 않은 액세서리는 사용하지 마십시오. 전동 공구에 부착할 수 있다고 해서 반드시 안전하게 조작할 수 있는 것은 아닙니다.
- c) 액세서리의 정격 속도는 최소한 전동 공구에 표기되어 있는 최대 속도와 같아야 합니다. 정격 속도보다 빠르게 작동하는 액세서리는 파손되어 튕겨 나갈 수 있습니다.
- d) 액세서리의 외경 및 두께는 사용하는 전동 공구의 용량 등급 이내이어야 합니다. 잘못된 규격의 액세서리는 제대로 보호하거나 제어할 수 없습니다.
- e) 휠, 플랜지, 이면 패드 또는 기타 액세서리의 주축 크기는 전동 공구의 스피들에 꼭 맞아야 합니다. 주축 구멍이 전동 공구에 장착할 하드웨어와 맞지 않는 액세서리는 균형을 잃어 과도하게 진동하며 통제할 수 없게 됩니다.
- f) 손상된 액세서리는 사용하지 마십시오. 사용 전에 항상 액세서리를 검사해 연삭 휠이 깎이거나 갈라지지 않았는지, 이면 패드가 갈라지거나 찢어지거나 과도하게 마모되지 않았는지, 와이어 브러시의 와이어가 느슨하거나 갈라지지 않았는지 확인하십시오. 전동 공구나 액세서리를 떨어뜨린 경우에는 손상된 부분이 없는지 검사하고 손상된 부분이 있을 경우 손상되지 않은 액세서리를 설치하십시오. 액세서리를 검사 및 설치한 뒤 회전하는 액세서리 작업대에서 멀리 거리를 유지하고 전동 공구를 1분 간 최대 무부하 속도로 작동시키십시오. 액세서리가 손상된 경우 보통 이 테스트 중에 떨어져 나갑니다.
- g) 신체 보호 장비를 착용하십시오. 용도에 따라 안면보호구, 안전 고글 또는 보안경을 이용하십시오. 필요에 따라 작은 연삭 또는 가공품 파편을 막을 수 있는 방진 마스크, 청력보호구, 장갑 및 작업용 앞치마를 착용하십시오. 보안경은 다양한 작업으로 인해 생성되는 비산 파편들을 차단할 수 있어야 합니다. 마스크나 방독 마스크는 작업으로 인해 생성되는 먼지를 거를 수 있어야 합니다. 높은 소음에 오랫동안 노출되면 청력이 손상될 수 있습니다.

- h) 주변 사람들이 작업 영역으로부터 안전 거리를 유지하게 하십시오. 작업 영역에 들어오는 사람들은 모두 신체 보호 장구를 착용해야 합니다. 가공품 또는 손상된 액세서리 파편이 작업 중인 곳을 벗어나 멀리 날아가 부상을 입힐 수 있습니다.
- i) 절삭 액세서리가 숨겨진 배선 또는 자체 코드에 접촉할 수 있는 작업을 수행할 때는 절연된 손잡이 표면만 닿도록 하여 전동 공구를 잡으십시오. "전류가 흐르는" 전선에 접촉된 절삭 액세서리는 전동 공구의 노출된 금속 부품을 "전류가 흐르는" 상태로 만들어 작업자를 감전시킬 수 있습니다.
- j) 코드는 회전하는 액세서리에 닿지 않게 하십시오. 통제를 하지 못할 경우 코드가 잘리거나 감겨 작업자의 손이나 팔이 회전하는 액세서리에 끌려 들어갈 수 있습니다.
- k) 절대 액세서리가 완전히 멈출 때까지 전동 공구를 내려 놓지 마십시오. 회전 액세서리가 표면에 튕겨 전동 공구를 제어하지 못하게 될 수 있습니다.
- l) 전동 공구를 허리에 차고 이동할 때 작동시키지 마십시오. 회전 액세서리와 실수로 닿게 되면 옷이 휘어져 액세서리가 신체에 박힐 수 있습니다.
- m) 전동 공구의 통풍구를 주기적으로 청소하십시오. 모터의 팬은 하우징 내부로 먼지를 흡입하는데 금속 가루가 너무 많이 쌓이면 전기 장치가 고장 날 수 있습니다.
- n) 가연성 물질 근처에서 전동 공구를 작동시키지 마십시오. 스파크로 인해 점화가 될 수 있습니다.
- o) 냉각용 액체가 필요한 액세서리는 사용하지 마십시오. 물이나 기타 액체 냉매를 이용하면 감전사 또는 감전될 수 있습니다.

모든 조작에서의 추가 안전 지시 사항

반동의 원인과 작업자의 예방 조치

반동이란 회전하는 휠, 이면 패드, 브러시 또는 기타 액세서리가 꼭 끼거나 장애물에 걸려 생기는 갑작스런 반작용을 의미합니다. 장애물에 끼거나 걸리면 회전하는 액세서리가 급속히 감속되어 통제력을 잃은 전동 공구가 걸린 지점에서 액세서리 회전 방향과 반대되는 방향으로 밀립니다.

예를 들어, 연삭 휠이 가공품에 걸리거나 낄 경우 긴 지점으로 들어가는 휠 가장자리가 가공물의 표면을 파고 들어 휠이 튀어 나올 수 있습니다.

끼인 지점에서의 휠 운동 방향에 따라 휠이 작업자 쪽 또는 반대 방향으로 될 수 있습니다. 이런 환경에서 연마 휠도 파손될 수 있습니다.

반동은 공구를 잘못 사용하거나 잘못된 조작 절차 또는 조건으로 인해 발생할 수 있으며 아래와 같은 올바른 예방 조치를 통해 막을 수 있습니다.

- a) 전동 공구를 꼭 쥐고 반발력에 저항할 수 있는 자세를 유지하십시오. 반동이나 시동 중의 토크 반발력을 최대한 제어할 수 있도록 보조 핸들이 있으면 항상 이용하십시오. 작업자가 적절한 예방 조치를 취하면 토크 반발력이나 반동력을 제어할 수 있습니다.
- b) 절대 회전하는 액세서리 가까이에 손을 두지 마십시오. 액세서리가 손에 될 수 있습니다.
- c) 반동에 의해 전동 공구가 튀 수 있는 곳에 자리잡지 마십시오. 반동은 휠이 걸린 지점에서의 휠 움직임과 반대 방향으로 공구가 튀게 합니다.
- d) 모서리, 날카로운 가장자리 등을 가공할 때는 특히 주의하십시오. 액세서리가 튀거나 떨어지 않게 하십시오. 모서리, 날카로운 가장자리 또는 탄력 있는 부분에는 회전 액세서리가 걸려 통제력을 잃거나 튀어 오르기 쉽습니다.
- e) 전기톱 목공용 날이나 톱니가 있는 톱날을 부착하지 마십시오. 이런 톱날은 반동이 작거나 통제력을 잃게 되는 경우가 잦습니다.

연마 및 연삭 절단 작업에 대한 안전 경고 사항

- a) 사용하는 전동 공구 및 선택한 휠용으로 설계된 보호커버용으로 권장하는 유형의 휠만 사용하십시오. 전동 공구의 설계에 적합하지 않은 휠은 제대로 보호할 수 없어 안전하지 않습니다.
- b) 최대한의 안전을 위해 가드는 전동 공구에 단단히 장착 및 위치해야 합니다. 그래야 최소한 양의 휠이 작업자 쪽으로 노출됩니다. 최고의 작업자가 휠과 실수로 닿거나 손상된 휠 파편으로부터 작업자를 보호해 줍니다.
- c) 휠은 권장 용도로만 사용해야 합니다. 예: 절단 휠의 측면으로 연마 작업을 하지 마십시오. 연삭 절단 휠은 원주 연삭용이며 휠의 측면에서 힘을 주면 산산이 부서질 수 있습니다.
- d) 선택한 휠에 맞는 크기와 모양의 손상되지 않은 휠 플랜지를 사용하십시오. 적합한 휠 플랜지는 휠을 지지해 휠 파손 가능성을 줄여줍니다. 절단 휠용 플랜지는 연마 휠 플랜지와 다를 수 있습니다.

- e) 더 큰 전동 공구에서 사용했던 마모된 휠을 사용하지 마십시오. 더 큰 전동 공구용으로 제작된 휠은 작은 공구의 높은 속도에 적합하지 않아 파열될 수 있습니다.

연삭 절단 작업에 대한 추가 안전 경고 사항

- a) 절단 휠이 "걸리게" 하거나 과도한 압력을 주지 마십시오. 지나치게 깊은 절단을 시도하지 마십시오. 휠에 과도한 압력을 가하면 부하가 증가해 휠이 뒤틀리거나 절단 부위에 고착되거나 반동 또는 휠이 파손될 수 있습니다.
- b) 회전하는 휠의 일직선 상이나 뒤에 있지 마십시오. 작업 위치에서 휠이 작업자의 몸에서 멀어져 가고 있을 경우 반동으로 인해 회전하는 휠과 전동 공구가 작업자에게로 될 수 있습니다.
- c) 어떤 이유로든 휠이 고착되거나 절단이 되지 않을 때는 전동 공구의 전원을 끄고 휠이 완전히 멈출 때까지 전동 공구를 움직이지 않게 하십시오. 휠이 움직이는 동안에는 절단 부위에서 절단 휠을 떼려 하지 마십시오. 그렇지 않으면 반동이 생길 수 있습니다. 검사를 받아서 휠 고착 원인을 제거하기 위한 조치를 취하십시오.
- d) 작업물에서 절단 작업을 다시 시작하지 마십시오. 휠이 최대 속도에 도달하도록 한 뒤 조심해서 절단을 다시 시작하십시오. 가공물에서 전동 공구를 다시 가동하면 휠이 고착되거나 가공물을 타고 휩 올라가거나 될 수 있습니다.
- e) 패널 또는 너무 큰 작업물은 휠이 끼여 반동이 생길 위험을 최소화할 수 있도록 받침대로 받쳐 주십시오. 가공물이 너무 크면 무게로 인해 처지곤 합니다. 지지대는 가공물 아래 절단선 가까이, 그리고 휠 양쪽의 가공물 가장자리 가까이에 배치해야 합니다.
- f) 기존의 벽 또는 다른 양이 안 보이는 영역에 "포켓 컷"을 할 때는 각별히 주의하십시오. 휠이 전진하면서 가스관이나 수도관, 전기 배선 또는 반동을 유발할 수 있는 물체를 자를 수 있습니다.

샌딩 작업에서의 안전 경고

- a) 과도하게 큰 샌딩 디스크 페이퍼를 사용하지 마십시오. 사포를 선택할 때는 제조업체의 권장 사항을 따르십시오. 샌딩 패드 이상으로 확장된 더 큰 사포를 사용할 경우 부상을 입을 위험이 있으며 디스크의 걸림, 찢어짐 또는 반동을 야기할 수 있습니다.

광택 작업에서의 안전 경고

- a) 폴리싱 보닛 또는 폴리싱 보닛의 부착용 스트링의 느슨한 부분이 마음대로 돌지 않게 하십시오. 느슨한 부착용 스트링은 모두 접어 넣거나 잘라내십시오. 부착용 스트링이 느슨해 들게 되면 손가락에 휘감기거나 가공품에 걸릴 수 있습니다.

와이어 브러싱 작업에서의 안전 경고

- a) 일반적인 작업 중에도 브러시에 의해 와이어 강모가 날린다는 점을 유념하십시오. 브러시에 과도한 부하를 적용해 와이어에 지나친 압력을 주지 마십시오. 와이어 강모는 얇은 옷감이나 피부를 쉽게 통과할 수 있습니다.
- b) 가드 사용이 와이어 브러싱에 권장되는 경우, 가드에 와이어 휠 또는 브러시의 간섭을 허용하지 마십시오. 와이어 휠 또는 브러시는 작업 및 원시력으로 인해 직경이 확대될 수 있습니다.

그라인더에 대한 추가 안전 규칙

- 액세서리의 나사산 장착은 그라인더 스피들 나사산과 일치해야 합니다. 플랜지로 장착한 액세서리의 경우 액세서리의 주축 구멍이 플랜지의 로케이팅 직경에 맞아야 합니다. 전동 공구에 장착할 하드웨어와 맞지 않는 액세서리는 균형을 잃어 과도하게 진동하며 통제할 수 없게 됩니다.
- 디프레스 센터 휠의 연마 표면은 가드 림의 평면 아래에 장착되어야 합니다. 가드 림의 평면을 통해 보호되는 잘못된 장착한 휠은 제대로 보호할 수 없습니다.
- 이 공구에 타입 11 (플레이어링 컵) 휠을 사용하지 마십시오. 부적합한 액세서리를 사용하면 부상을 당할 수 있습니다.
- 항상 사이드 핸들을 사용하십시오. 확실하게 핸들을 조이십시오. 항상 공구를 완벽히 제어하려면 항상 사이드 핸들을 사용해야 합니다.

기타 발생 가능한 위험

관련된 안전 규정을 준수하고 안전 장치를 사용한다고 해도 특정한 위험은 피할 수 없습니다. 이러한 위험은 다음과 같습니다.

- 청력 손상.
- 파편 날림으로 인한 신체 부상 위험.
- 작업 중 뜨거워지는 액세서리로 인한 화상 위험.

- 장시간 사용으로 인한 신체 부상의 위험.
- 유해 물질에서 발생하는 먼지 위험.

공구에 표시된 마크

공구에는 다음과 같은 그림이 있습니다.



사용 전에 사용 설명서의 내용을 숙지하십시오.



보안경을 착용하십시오.

날짜 코드 위치 (그림 1)

날짜 코드 (p)에는 제조년도가 포함되어 케이스에 인쇄되어 있습니다.

예:

2012 XX XX

제조년도

포장 내용물

포장에는 다음 내용물이 들어 있습니다.

- 1 앵글 그라인더
- 1 가드
- 1 사이드 핸들 (DWE8110S 만 해당)
- 1 플랜지 세트
- 1 육각 키 (DWE8110S 만 해당)
- 1 렌치 (DWE8100S 및 DWE8100T 만 해당)
- 1 사용 설명서
- 운반 중에 발생할 수 있는 공구, 부품 또는 액세서리의 손상 여부를 확인하십시오.
- 작동 전에 시간을 내어 본 사용 설명서를 읽고 숙지하십시오.

설명 (그림 1)



경고: 전동 공구 또는 전동 공구의 어떤 부품도 절대 개조하지 마십시오. 제품이 파손되거나 신체 부상을 당할 수 있습니다.

- a. 스피들 잠금 버튼
- b. 스피들
- c. 사이드 핸들 (DWE8110S 만 해당)
- d. 아래 만조
- e. 덮개 만조
- f. 가드
- g. 슬라이더 스위치 (DWE8100S 및 DWE8110S)
- g1. 토글 스위치 (DWE8100T)

용도

DWE8100S, DWE8100T, DWE8110S 소형 앵글 그라인더는 전문 연마, 샌딩, 와이어 브러싱, 광택 및 절삭용으로 고안되었습니다.

디프레스 센터 휠 및 플랩 디스크 이외에 연마 휠을 사용하지 **마십시오**.

습한 환경이나 가연성 액체 또는 가스가 있는 장소에서 사용하지 **마십시오**.

본 헤비듀티 앵글 그라인더는 전문가용 전동 공구입니다.

어린이가 이 공구를 만지지 **않도록 하십시오**. 경험이 없는 작업자가 이 공구를 사용할 때는 감독자의 지도가 필요합니다.

- 본 제품은 안전 책임을 맡고 있는 사람이 감독을 하고 있지 않은 경험, 지식 또는 기술이 부족하고 신체적, 감각적 또는 정신적 능력이 미약한 사람(어린이 포함)이 사용하도록 고안된 것이 아닙니다. 이 제품과 함께 어린이만 혼자 두어서는 안됩니다.

전기 안전

전기 모터는 한 가지 전압에만 맞추어 설계되었습니다. 전원이 전동기 네임 플레이트에 기재된 전압과 일치하는지 항상 확인하십시오.



이 공구는 이중으로 절연되어 있으므로 접지선이 필요 없습니다. 전원이 전동기 네임 플레이트에 기재된 전압과 일치하는지 항상 확인하십시오.



경고: 115 V 기기는 첫 번째 감은 것과 두 번째 감은 것 사이의 접지판과 함께 안전 페일 세이프 절연 변압기 통해 작동되어야 합니다.

전원 코드가 손상된 경우에는 DeWALT 서비스 센터를 통해 특수 제작된 코드로 교체해야만 합니다.

연장 케이블 이용

연장 케이블이 필요할 경우 이 공구의 소비전력에 맞는 승인된 3 코어 연장 케이블을 사용하십시오 (**기술 자료 참조**). 최소 도체 크기는 1.5 mm², 최대 길이는 30 m입니다.

케이블 릴을 사용할 때는 항상 케이블을 완전히 푸십시오.

조립 및 조정



경고: 심각한 신체 부상의 위험을 줄이려면 부착물 또는 액세서리를 조정하거나 제거/설치하기 전에 공구를 끄고 전원에서 공구 플러그를 뽑으십시오. 공구를 다시 연결하기 전에 트리거 스위치를 당겼다 놓아 공구가 꺼졌는지 확인하십시오.

사이드 핸들 장착(그림 1)



경고: 공구를 사용하기 전에 핸들이 단단히 조여졌는지 확인하십시오.

사이드 핸들 (c) 을 기어 케이스의 양쪽 구멍 중 하나에 나사로 단단히 조입니다. 항상 공구를 완벽히 제어하려면 항상 사이드 핸들을 사용해야 합니다.

액세서리 및 부착물

그라인더 액세서리와 함께 사용할 정확한 가드, 이면 패드 및 플랜지를 선택해야 합니다. 정확한 액세서리 선택에 대한 정보는 이 섹션의 끝 부분에 있는 차트를 참조하십시오.

참고: 가장자리 연마 및 절삭은 이 용도로 설계 및 지정된 유형 27 휠로 수행할 수 있습니다.



경고: 최소한 공구 경고 라벨에 권장되어 있는 속도에서 액세서리를 사용해야 합니다. 정격 액세서리 속도 이상에서 작동하는 휠 및 기타 액세서리는 갈라지거나 부상을 당할 수 있습니다. 나사산 액세서리에는 M10 허브(DWE8100T, DWE8100S 용) 또는 M14 허브(DWE8110S 용)가 있어야 합니다. 나사산이 없는 모든 액세서리에는 22 mm 주축 구멍이 있어야 합니다. 없을 경우, 원형 튼용으로 고안되었을 수 있으므로 사용해서는 안됩니다. 이 섹션의 끝 부분에 있는 표시한 액세서리만 사용하십시오. 액세서리는 등급은 공구 명판에 표시된 최소 휠 속도 이상이어야 합니다.

가드 장착 (그림 2)

경고: 심각한 신체 부상의 위험을 줄이려면 부착물 또는 액세서리를 조정하거나 제거/설치하기 전에 공구를 끄고 전원에서 공구 플러그를 뽑으십시오. 공구를 다시 연결하기 전에 트리거 스위치를 당겼다 놓아 공구가 꺼졌는지 확인하십시오.



주의: 가드는 이 그라인더와 함께 사용해야 합니다.

금속 또는 석재 절삭용으로 DWE8100S 또는 DWE8100T 또는 DWE8110S 그라인더를 사용할 때는 반드시 유형 1 가드를 사용해야 합니다. 유형 1 가드는 DeWALT 판매점에서 추가 비용을 부담하고 구입할 수 있습니다.

참고: 이 그라인더와 함께 사용할 수 있는 다른 액세서리를 보려면 이 단원의 끝부분에 있는 연마 및 절삭 액세서리 차트를 참조하십시오.

닫혀져 있는(유형 1) 또는 표준 (그림 27) 가드 장착



주의: 부착물이나 액세서리를 조정, 제거 또는 설치하기 전에 공구를 끄고 코드를 뽑으십시오. 공구를 다시 연결하기 전에 스위치를 껐다 켜서 공구가 꺼졌는지 확인하십시오.

중심 휠은 M10 (DWE8100T, DWE8100S), M14 (DWE8110S) 스팀들에 바로 설치됩니다. 액세서리 나사산은 스팀들 나사산과 일치해야 합니다.

1. 가드 러그 (k) 가 기어 케이스 허브의 홈 (j) 에서 자유롭게 돌 때까지 나사를 풀니다.
2. 가드 (f) 를 원하는 작업 위치로 돌립니다. 최대한 작업자를 보호하기 위해 스팀들과 작업자 사이로 가드 몸체의 위치를 잡아야 합니다.
3. 나사를 조여 가드를 기어 케이스 커버에 고정합니다. (2.5 N-M 이상의 토크로 조입니다). 손으로 가드를 돌릴 수 없어야 합니다. 가드를 쏜 상태에서 그라인더를 작동하지 마십시오.
4. 가드를 제거하려면 나사를 풀고 가드를 위로 당깁니다.



주의: 공구를 켜기 전에 휠을 제대로 끼우지 못하면 공구 또는 휠이 손상될 수 있습니다.

그라인딩 또는 절삭 디스크 장착 및 분리 (그림 1, 4, 5)



경고: 손상된 디스크는 사용하지 마십시오.

1. 가드가 위를 향하도록 테이블에 공구를 올려 놓습니다.
2. 스팀들 (b) 에 아래 만조 (d) 를 정확하게 장착합니다 (그림 4).
3. 디스크 (n) 를 아래 만조 (d) 에 놓습니다. 중앙을 올린 상태에서 디스크를 장착할 때는, 올려져 있는 중앙 (l) 이 아래 만조 (d) 를 향하고 있는지 확인하십시오.
4. 덮개 만조 (e) 를 스팀들 (b) 에 고정합니다 (그림 5):
 - a. 연마 디스크를 장착할 때 덮개 만조 (e) 의 링은 디스크 쪽을 향해야 합니다 (그림 5A).
 - b. 절삭 디스크를 장착할 때 덮개 만조 (e) 의 링은 디스크로부터 멀리 향해야 합니다 (그림 5B).

5. 스팀들 잠금 버튼 (a) 을 누르고 제자리에 잠길 때까지 스팀들 (b) 을 돌립니다.
6. 제공된 렌치 또는 육각 키를 사용하여 덮개 만조 (e) 를 조입니다.
7. 스팀들 잠금을 풀니다.
8. 디스크를 제거하려면, 제공된 렌치 또는 육각 키를 사용하여 덮개 만조 (e) 를 풀니다.

참고: 가장자리 연마 및 절삭은 이 용도로 지정된 유형 27 휠로 수행할 수 있습니다. 6 mm 두께의 휠은 표면 연마용이고 3 mm 휠은 가장자리 연마용으로 지정되어 있습니다. 또한 절삭은 유형 1 휠 및 유형 1 가드를 사용하여 수행할 수도 있습니다.

공구에 대한 그라인딩 또는 절삭 디스크의 권장 직경은 100mm(DWE8100S, DWE8100T) 또는 125mm(DWE8110S) 입니다.

와이어 브러시 및 와이어 휠 장착

와이어 컵 브러시 또는 와이어 휠은 플랜지를 사용하지 않고 그라인더 스팀들에 바로 나사로 고정합니다. M10 (DWE8100S & DWE8100T) 또는 M14 (DWE8110S) 나사산 허브와 함께 제공된 와이어 브러시 또는 휠만 사용하십시오. 와이어 브러시 및 휠을 사용할 때는 유형 27 가드가 필요합니다.



주의: 와이어 브러시 및 휠을 취급할 때는 작업용 장갑을 착용하십시오. 날카롭게 될 수 있습니다.



주의: 휠 또는 브러시가 장착 시 또는 사용 중에 가드에 닿아서는 안됩니다. 액세서리에 감지할 수 없는 손상이 발생할 수 있고, 와이어가 액세서리 휠 또는 컵에서 부서질 수 있도록 합니다.

1. 손으로 휠을 스팀들에 끼웁니다.
2. 스팀들 잠금 버튼을 누르고 와이어 휠 또는 브러시 허브에 있는 렌치를 사용하여 휠을 조입니다.
3. 휠을 제거하려면 위의 절차와 반대로 하십시오.

참고: 공구를 켜기 전에 휠 허브를 제대로 끼우지 못하면 공구 또는 휠이 손상될 수 있습니다.

공구에 대한 와이어 브러시 및 와이어 휠의 권장 직경은 100mm(DWE8100S, DWE8100T) 또는 125mm(DWE8110S) 입니다.

이면 패드/샌딩 시트 장착 및 분리

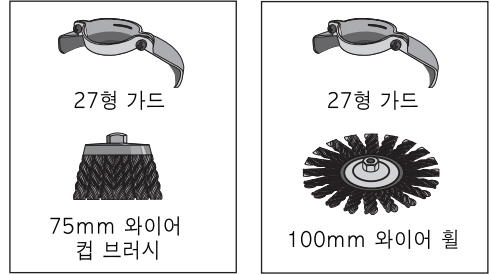
1. 가드가 위를 향하도록 테이블 또는 평면에 공구를 올려 놓습니다.
2. 아래 만조 (d) 를 분리합니다.
3. 스펀들 (b) 에 고무 이면 패드를 정확하게 놓습니다.
4. 고무 이면 패드에 사포를 놓습니다.
5. 덮개 만조 (e) 를 스펀들에 나사로 고정합니다. 덮개 만조의 링은 고무 이면 패드 쪽을 향해야 합니다.
6. 스펀들 잠금 버튼 (a) 을 누르고 제자리에 잠길 때까지 스펀들 (b) 을 돌립니다.
7. 제공된 육각 키 또는 두 개의 핀 스패너를 사용하여 덮개 만조 (e) 를 조입니다.
8. 스펀들 잠금을 놓습니다.
9. 고무 이면 패드를 제거하려면, 제공된 렌치 또는 육각 키 또는 두 개의 핀 스패너를 사용하여 덮개 만조 (e) 를 풉니다.

공구의 경우 이면 패드/사포의 권장 직경은 100mm(DWE8100S, DWE8100T) 또는 125mm(DWE8110S) 입니다.

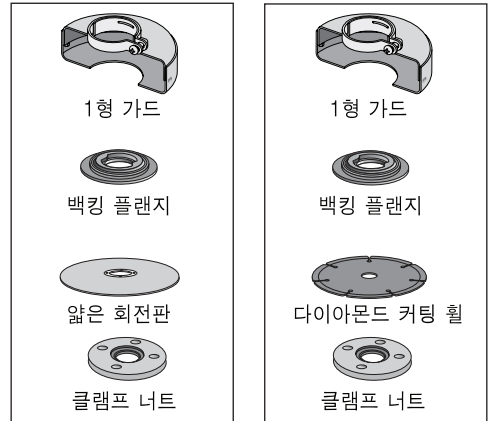
와이어 컵 브러시 장착

스페이서 및 나사산 플랜지를 사용하지 않고 와이어 컵 브러시를 스펀들에 직접 고정합니다.

와이어 휠



100mm 커팅 휠



100mm 그라인딩 휠



100mm 샌딩 플랩 디스크



작동을 하기 전에

- 가드와 적절한 디스크 또는 휠을 설치합니다. 과도하게 마모된 디스크 또는 휠을 사용하지 마십시오.
- 내부 및 외부 플랜지가 정확하게 장착되었는지 확인하십시오.
- 디스크 또는 휠이 액세서리 및 공구의 화살표 방향으로 회전하는지 확인하십시오.

작동

사용 지침



경고: 안전 지시 사항과 해당 규정을 항상 준수하십시오.



경고: 심각한 신체 부상의 위험을 줄이려면 부착물 또는 액세서리를 조정하거나 제거/설치하기 전에 공구를 끄고 전원에서 공구 플러그를 뽑으십시오. 공구를 다시 연결하기 전에 트리거 스위치를 당겼다 놓아 공구가 꺼졌는지 확인하십시오.



경고:

- 연마 및 절단할 모든 재료가 제자리에 고정되어 있는지 확인하십시오.
- 작업물을 고정하고 지지합니다. 클램프 또는 바이스를 사용해 안정된 작업대에 작업물을 고정 및 지지하십시오. 작업물의 이동 및 제어력 손실을 방지하려면 작업물을 단단히 고정하고 지지하는 것이 중요합니다. 작업물이 이동하거나 제어력을 잃으면 위험 요인이 생겨 신체 부상을 입을 수 있습니다.
- 공구에 적당한 압력만 가하십시오. 디스크에 축압을 가하지 마십시오.
- 과부하를 피하십시오. 공구가 가열되면 무부하 상태로 몇 분 정도 작동시키십시오.

올바른 손의 위치(그림 6)



경고: 심각한 신체 부상의 위험을 줄이려면 항상 그림과 같이 올바른게 손을 위치하십시오.



경고: 심각한 부상의 위험을 줄이려면 항상 급작스러운 반동을 예상하고 확실하게 잡으십시오.

적절한 손의 위치는 그림 6과 같이 한 손은 사이드 핸들 (그림 1) 에 두고, 다른 손은 공구의 몸체에 두어야 합니다.

스위치



주의: 공구 작동을 시작할 때 및 공구 사용 중에, 그리고 휠이나 액세서리가 회전을 멈출 때까지 공구를 통제할 수 있도록 공구 몸체를 단단하게 잡으십시오. 공구를 놓기 전에 휠이 완전히 멈추었는지 확인하십시오.

참고: 예기치 않은 공구의 움직임은 줄이려면 부하가 실려 있을 때는 공구를 켜거나 끄지 마십시오. 작업면에 닿기 전에 그라인더가 최대 속도로 작동하도록 하십시오. 공구를 끄기 전에 작업면에서 공구를 들어 올리십시오. 내려 놓기 전에 공구가 회전을 멈추게 하십시오.

슬라이더 스위치 DWE8100S & DWE8110S (그림 3)



경고: 공구를 전원에 연결하기 전에, 스위치의 뒤쪽을 눌렀다 놓아서 슬라이더 스위치가 꺼짐 위치에 있는지 확인하십시오. GFI (ground fault interrupter) 작동, 회로 누전 차단기 끊김, 우발적인 플러그 분리 또는 정전과 같은 원인으로 공구에 대한 전원 공급이 중단되면 위의 설명에서와 같이 슬라이더 스위치가 꺼짐 위치에 있는지 확인하십시오. 전원에 연결되었을 때 슬라이더 스위치가 잠긴 상태일 경우 공구가 갑자기 작동됩니다.

공구를 시작하려면, 슬라이더 스위치 (g) 를 공구 앞쪽으로 밀니다. 공구를 정지하려면, 슬라이더 스위치를 놓습니다.

연속 작동을 위해, 스위치를 공구 앞쪽으로 밀고 스위치 안쪽의 앞쪽을 누릅니다. 연속 모드에서 작동 중일 때 공구를 멈추려면 슬라이더 스위치의 뒤쪽을 눌렀다가 놓습니다.

토글 스위치 DWE8100T (그림 3)



경고: 공구를 사용하기 전에 핸들이 단단히 조여졌는지 확인하십시오.

공구를 켜려면, 버튼 (g1) 을 "1" 위치로 올리고, 공구를 끄려면 토글 스위치 버튼 (g1) 을 "0" 위치로 밀니다.



경고: 부하가 실려 있을 때는 공구를 켜거나 끄지 마십시오.

스핀들 잠금 (그림 1)

스핀들 잠금 (a) 은 휠을 설치하거나 제거할 때 스펀들이 회전하는 것을 방지하기 위한 것입니다. 공구가 꺼져 있고, 전원 공급 장치에서 플러그를 뽑고 완전히 정지했을 때만 스펀들 잠금을 작동하십시오.

참고: 공구 손상의 위험을 줄이려면, 공구가 작동되는 동안에는 스피들 잠금을 작동하지 마십시오. 공구 손상이 발생되고 장착한 액세서리가 가능한 대로 돌아서 부상을 당할 수 있습니다.

잠금을 작동하려면, 스피들 잠금 버튼을 누르고 스피들들을 더 돌릴 수 없을 때까지 스피들들을 돌립니다.

금속 응응

금속 응응에서 공구를 사용할 때는, 금속 잔여물로 인한 발생 가능한 위험을 방지하기 위해 RCD(차단기)가 꽂혀 있는지 확인하십시오.

전원 공급이 RCD로 인해 차단된 경우, 공인 DeWALT 수리점에 공구를 맡기십시오.



경고: 극심한 작업 조건에서는 금속 작업 시 전도성 먼지가 기계 하우징 내부에 축적될 수 있습니다. 이로 인해 기계에 보호용 절연이 발생해, 갑작의 잠재적인 위험으로 저하될 수 있습니다.

기계 안쪽에 금속 부스러기가 쌓이지 않도록 하려면, 매일 환기구를 청소하는 것이 좋습니다. 유지보수를 참조하십시오.

플랩 디스크 사용



경고: 금속 먼지가 쌓입니다. 금속 응응에서 플랩 디스크를 광범위하게 사용하면 잠재적인 감전 위험이 증가할 수 있습니다. 이러한 위험을 줄이려면, 아래의 유지보수 지침에 따라 사용하기 전에 RCD를 삽입하고 매일 환기구로 건조한 압축 공기를 불어서 환기구를 깨끗하게 청소하십시오.

유지 보수

DeWALT 전동 공구는 최소한의 유지 보수로 장기간에 걸쳐 작업이 가능하도록 설계되어 있습니다. 만족스러운 연속 작동은 적절한 공구 관리와 정기적인 청소에 따라 그 성능이 달라질 수 있습니다.



경고: 심각한 신체 부상의 위험을 줄이려면 부착물 또는 액세서리를 조정하거나 제거/설치하기 전에 공구를 끄고 전원에서 공구 플러그를 뽑으십시오. 공구를 다시 연결하기 전에 트리거 스위치를 당겼다 놓아 공구가 꺼졌는지 확인하십시오.

팝오프 브러시

모터는 카본 브러시가 거의 마모되었고 공구 정비에 필요하다는 것을 표시하면서 자동으로 정지됩니다. 카본 브러시는 사용자가 수리할 수 없습니다. 공인 DeWALT 수리 대리점에 수리를 의뢰하십시오.



운할방법

전동 공구는 별도의 운할 작업이 필요하지 않습니다.



청소



경고: 통풍구 속이나 주변에 먼지가 쌓여있는 것이 보이면 가능한 한 자주 건조한 공기를 이용하여 물체에서 먼지를 불어내십시오. 이 절차를 수행할 때에는 승인된 눈 보호 장구 및 승인된 방진 마스크를 착용하십시오.



경고: 공구의 금속 이외 부분을 청소할 때는 용제 등의 강력한 화학약품을 절대 사용하지 마십시오. 그렇지 않으면 이러한 부분에 사용된 재료가 약해질 수 있습니다. 헹굼에 물과 순한 비누를 적셔 닦아주십시오. 공구 내부에 액체를 넣거나 공구 부품을 액체에 담그는 행동은 절대 금물입니다.

옵션 액세서리



경고: DeWALT에서 제공하지 않은 액세서리는 본 제품에서 테스트되지 않았으므로 본 제품에서 이러한 액세서리를 사용하면 위험할 수 있습니다. 신체 부상의 위험을 줄이려면 본 제품에는 DeWALT 권장 액세서리만 사용해야 합니다.

해당 액세서리에 대한 자세한 정보는 판매 대리점으로 문의하십시오.

환경 보호



분리 수거하십시오. 본 제품을 일반 가정용 쓰레기로 처리하면 안됩니다.

DeWALT 제품을 교체해야 하거나 더 이상 쓸모가 없어졌다고 판단될 때는 본 제품을 가정용 쓰레기와 함께 처리하지 마십시오. 이 제품은 분리 수거하십시오.



사용하던 제품과 포장을 분리 수거하면 자원을 재활용 및 재사용할 수 있습니다. 재활용 자원을 이용하면 환경 오염이 방지되고 고철 자원에 대한 수요를 줄일 수 있습니다.

지역에 따라 가정용 가전제품을 분리 수거하는 규정이 마련되어 있거나 새로운 제품을 구입할 때 판매점에서 폐기 방법을 알려줄 수 있습니다.

DeWALT 는 사용이 끝난 DeWALT 제품을 수집하여 재활용하기 위한 시설을 운영하고 있습니다. 이 서비스를 활용하려면 당사가 폐제품 수거를 위임한 공인 수리 대리점에 제품을 반환해 주십시오.

본 사용 설명서에 기재된 연락처로 가까운 DeWALT 영업소에 연락하면 가까운 공인 수리 대리점 위치를 확인할 수 있습니다. 또는 다음 웹 사이트를 방문하여 DeWALT 공인 수리 대리점 목록과 A/S 및 연락처 등 자세한 정보를 찾아볼 수 있습니다. **www.2helpU.com**.

DeWALT 1-YEAR WARRANTY

DeWALT warrants this product for one year from date of purchase. We will repair, without charge, any defects due to faulty material and/or workmanship.

Please return the complete unit, transportation prepaid, to any local DeWALT Service Center with valid DeWALT warranty card AND invoice/receipt copy.

This warranty card MUST be completed with the following information:

- customer name, telephone no.;
- dealer name and chop;
- date of purchase;
- tool model and serial no.

This warranty DOES NOT apply to:

- normal wear and tear parts: e.g. carbon brush, cord, plug, chuck and battery;
- attachments and accessories;
- unauthorized repair, alteration/modification;
- damage caused by foreign objects, substances, accidents, obvious misuse, abuse, neglect and improper applications.

These terms only cover the general warranty policy in the Asia region. Details may vary from country to country. Please consult the local DeWALT Service Center for more details.

디월트 1년 품질보증

본 제품은 구매일로부터 1년간 품질을 보증하며 보증기간내에 제품의 제조상 하자로 발생한 결함에 대해서는 무상으로 수리해 드립니다.

본 보증카드를 완결하게 작성하시어 가까운 디월트 / 볼렉엔드머커 서비스 지점에 제출하여 주십시오. (제품 구입 영수증 또는 거래명세서상 반드시 첨부해 주셔야 합니다) 이 카드는 모든 서비스의 기초자료로 활용되거나 꼭 보내 주시기 바랍니다.


단, 아래 사항은 품질보증에 해당되지 않으므로 보증기간내이라도 무상수리를 받으실수 없습니다.

- 카본브러시, 코드, 플러그, 칩, 워머리 등의 소모품이 자연적으로 소모되었을 경우
- 액세서리가 파손되었을 경우
- 임의로 정상 및 구조를 변경하여 사용한 경우
- 외부의 충격, 사고, 화재지연, 강요진압으로 사용하지 아니한 경우, 소더지의 과열 및 휘급 부주의로 고장 또는 손상된 경우
- 본 품질보증내용은 디월트 / 볼렉엔드머커 한국지점에 한정되며, 각 나라별로 세부 내용은 다를수 있습니다. 더욱 자세한 내용을 알고 싶으시면 디월트 / 볼렉엔드머커 서비스센터로 문의해 주시기 바랍니다.
- 카본브러시, 코드, 플러그, 칩, 워머리 등의 소모품이 자연적으로 소모되었을 경우
- 액세서리가 파손되었을 경우
- 임의로 정상 및 구조를 변경하여 사용한 경우
- 외부의 충격, 사고, 화재지연, 강요진압으로 사용하지 아니한 경우, 소더지의 과열 및 휘급 부주의로 고장 또는 손상된 경우


본 품질보증내용은 볼렉엔드머커 한국지점에 한정되며, 각 나라별로 세부 내용은 다를수 있습니다. 더욱 자세한 내용을 알고 싶으시면 볼렉엔드머커 서비스센터로 문의해주시기 바랍니다.

Affix
Stamp
here
to
avoid
fraud
repairs



	Company Copy 공급사 보관용
Customer Name: Mr. <input type="checkbox"/> Miss <input type="checkbox"/> 고객이름: Mrs. <input type="checkbox"/>	
Address: 주소: _____	Tel. No.: _____ 전화번호: _____
Tool Model: 제품모델명: _____	Serial No. or Date Code: 제품일련번호 또는 제작일 코드번호: _____
Charger Model: 충전기 모델명: _____	Serial No. or Date Code: 충전기 일련번호 또는 제작일 코드번호: _____
Date Of Purchase: 제품구입일자: _____	* Invoice / Receipt No.: * 영수증 / 거래명세서: _____
Dealer's name: 제품구입 대리점명: _____	Tel. No.: _____ 전화번호: _____
Dealer Chop: 대리점 확인란: _____	

* Please return this warranty card together with copy of invoice or receipt to the local DeWALT Service centre within 14 days from purchase of your tool.
 * 본 보증카드를 제품구입 영수증 또는 거래명세서와 함께 디월트 서비스 지점점에 제출하시거나, 우편으로 제품 구입후 14일 이내에 발송해 주십시오.

	Customer Copy 고객 보관용
Customer Name: Mr. <input type="checkbox"/> Miss <input type="checkbox"/> 고객이름: Mrs. <input type="checkbox"/>	
Address: 주소: _____	Tel. No.: _____ 전화번호: _____
Tool Model: 제품모델명: _____	Serial No. or Date Code: 제품일련번호 또는 제작일 코드번호: _____
Charger Model: 충전기 모델명: _____	Serial No. or Date Code: 충전기 일련번호 또는 제작일 코드번호: _____
Date Of Purchase: 제품구입일자: _____	* Invoice / Receipt No.: * 영수증 / 거래명세서: _____
Dealer's name: 제품구입 대리점명: _____	Tel. No.: _____ 전화번호: _____
Dealer Chop: 대리점 확인란: _____	

NDW_2

397778-00