

DEWALT®

www.DEWALT.com

DW872

English

6

繁體中文

12

Fig. A
圖 A

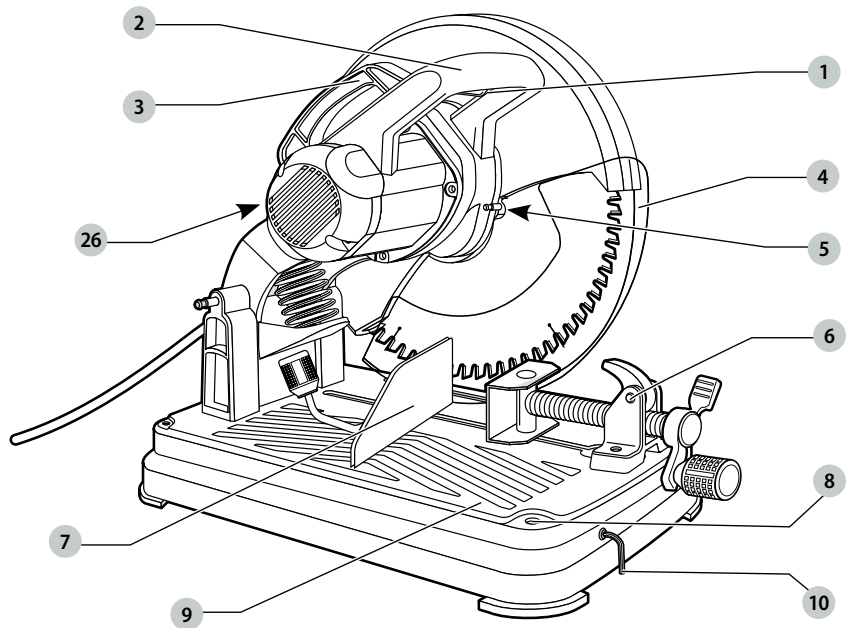


Fig. B1
圖 B1

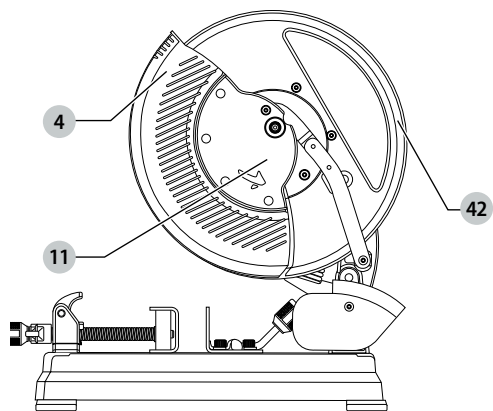


Fig. B2
圖 B2

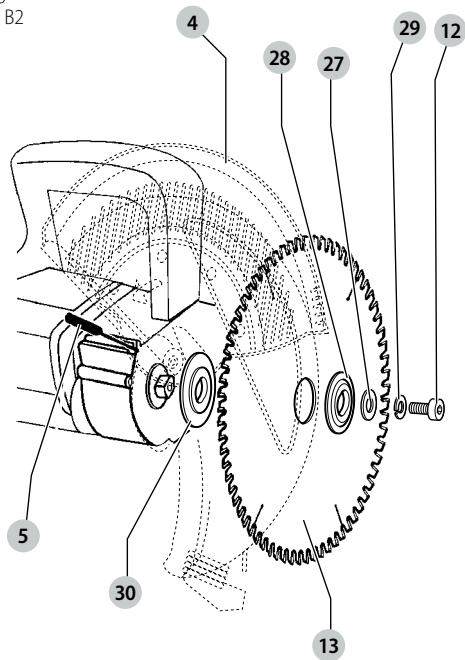


Fig. C1
圖 C1

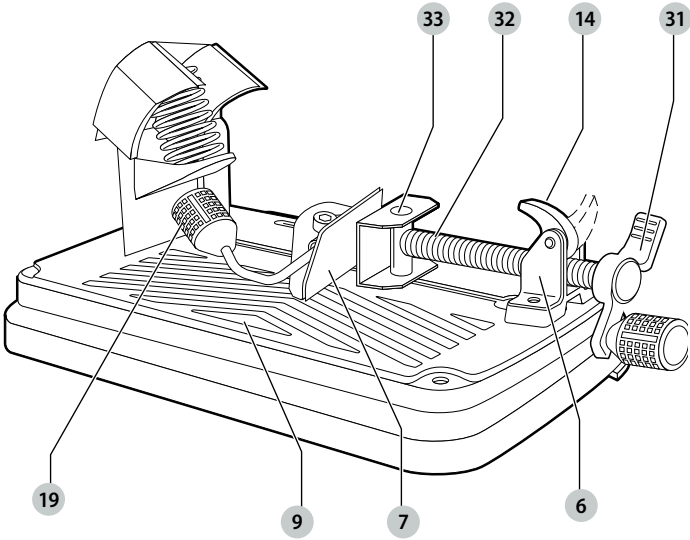


Fig. C2
圖 C2

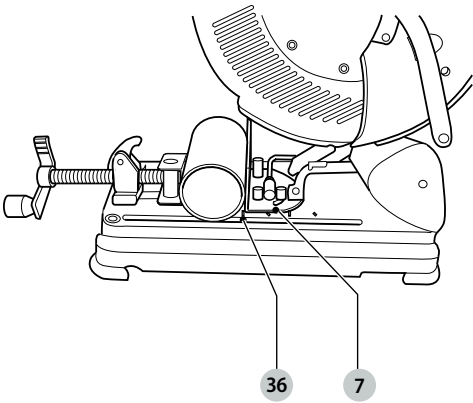


Fig. C3
圖 C3

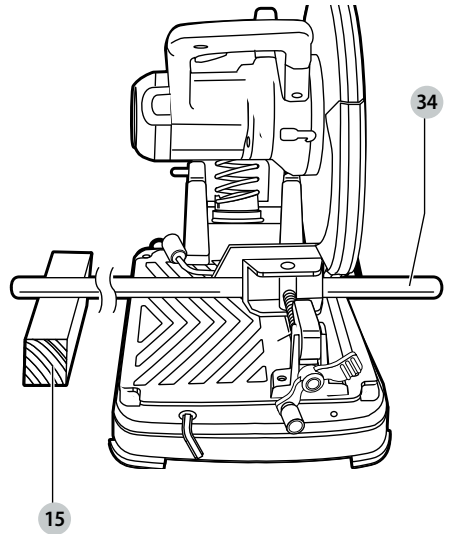


Fig. C4
圖 C4

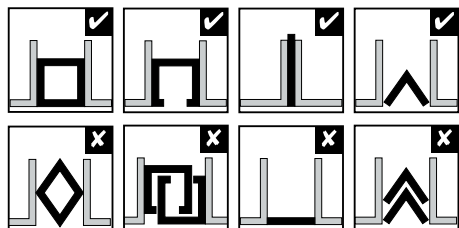


Fig. C5
圖 C5

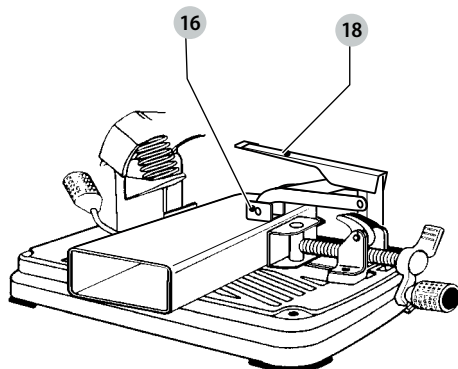


Fig. C6
圖 C6

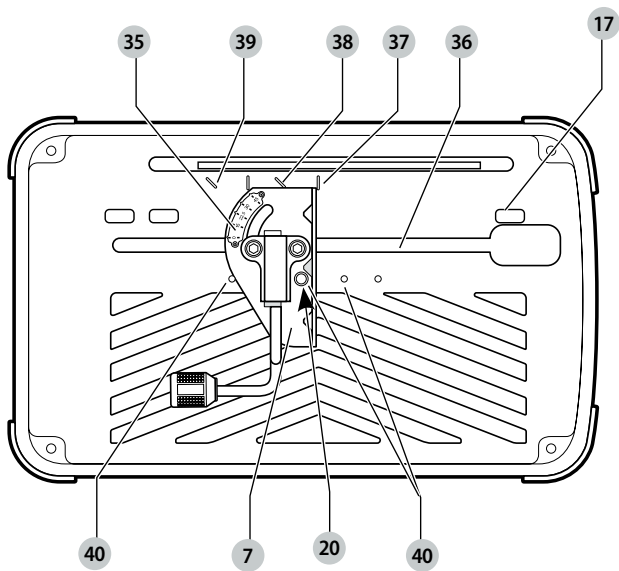


Fig. D1
圖 D1

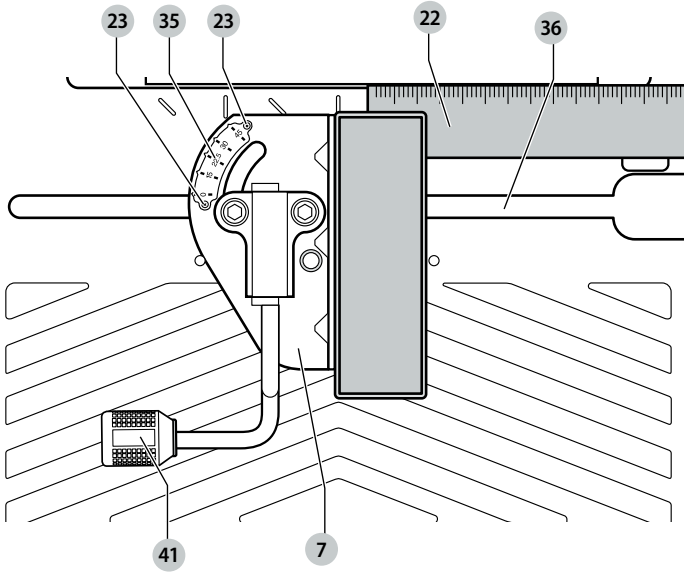


Fig.D2
圖 D2

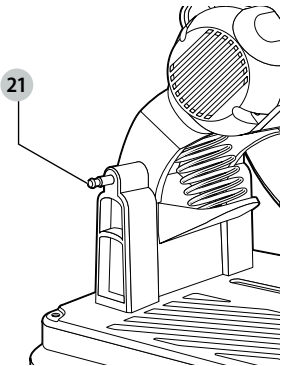


Fig. E
圖 E

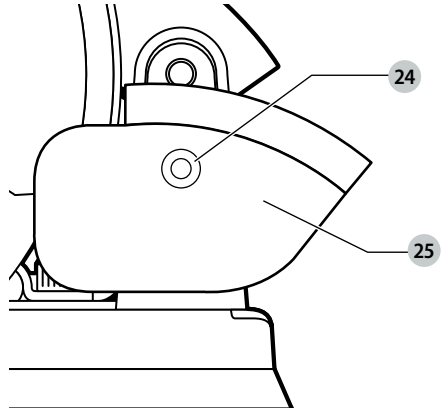


Fig. F
圖 F

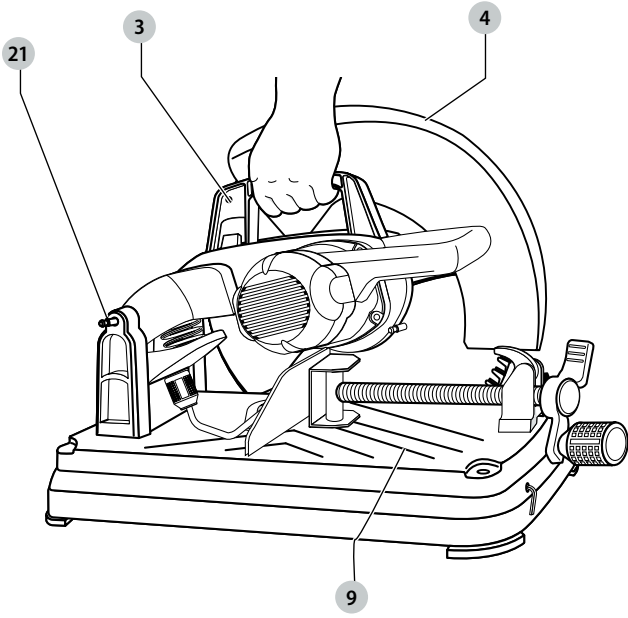
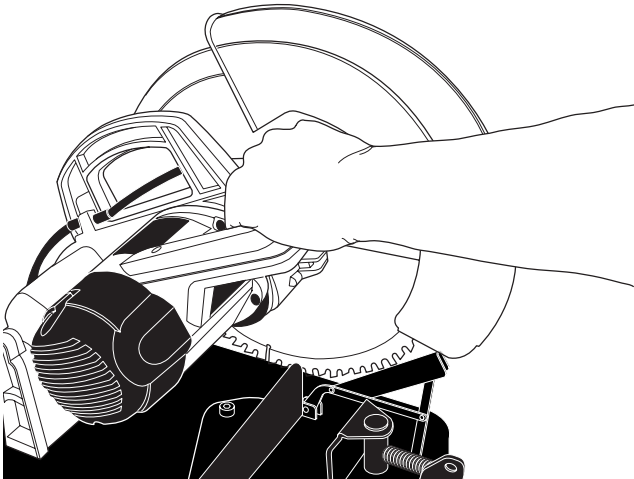


Fig. G
圖 G



TOOTHED CHOPSAW

DW872

Congratulations!

You have chosen a DEWALT tool. Years of experience, thorough product development and innovation make DEWALT one of the most reliable partners for professional power tool users.

Technical Data

	DW872	
Voltage	V _{AC}	220–240
Power Input	W	2200
No-load speed	min ⁻¹	1300
Blade diameter	mm	355
Blade bore	mm	25.4
Blade body thickness	mm	1.95
Blade kerf thickness	mm	2.31
No. of blade teeth		66
Cross-cutting capacity at 90°		
circular	mm	130
square	mm	100 x 100
rectangular	mm	75 x 130
angular	mm	92 x 92
Cross-cutting capacity at 45°		
circular	mm	79
square	mm	79 x 79
rectangular	mm	79 x 123
angular	mm	56 x 56
Weight	kg	22.5

Definitions: Safety Guidelines

The definitions below describe the level of severity for each signal word. Please read the manual and pay attention to these symbols.



DANGER: Indicates an imminently hazardous situation which, if not avoided, **will** result in **death or serious injury**.



WARNING: Indicates a potentially hazardous situation which, if not avoided, **could** result in **death or serious injury**.



CAUTION: Indicates a potentially hazardous situation which, if not avoided, **may** result in **minor or moderate injury**.

NOTICE: Indicates a practice **not related to personal injury** which, if not avoided, **may** result in **property damage**.



Denotes risk of electric shock.



Denotes risk of fire.

Safety Instructions



WARNING: When using electric tools basic safety precautions should always be followed to reduce the risk of fire, electric shock and personal injury including the following.

Read all these instructions before attempting to operate this product and save these instructions.

SAVE THIS MANUAL FOR FUTURE REFERENCE

General Safety Rules

- Keep work area clear.**
 - Cluttered areas and benches invite injuries.
- Consider work area environment.**
 - Do not expose the tool to rain. Do not use the tool in damp or wet conditions. Keep the work area well lit (250–300 Lux). Do not use the tool where there is a risk of causing fire or explosion, e.g., in the presence of flammable liquids and gases.
- Guard against electric shock.**
 - Avoid body contact with earthed surfaces (e.g., pipes, radiators, cookers and refrigerators). When using the tool under extreme conditions (e.g., high humidity, when metal swarf is being produced, etc.), electric safety can be improved by inserting an isolating transformer or a (FI) earth-leakage circuit-breaker.
- Keep other persons away.**
 - Do not let persons, especially children, not involved in the work, touch the tool or the extension cord and keep them away from the work area.
- Store idle tools.**
 - When not in use, tools must be stored in a dry place and locked up securely, out of reach of children.
- Do not force the tool.**
 - It will do the job better and safer at the rate to which it was intended.
- Use the right tool.**
 - Do not force small tools to do the job of a heavy duty tool. Do not use tools for purposes not intended; for example do not use circular saws to cut tree limbs or logs.
- Dress properly.**
 - Do not wear loose clothing or jewellery, as these can be caught in moving parts. Non-skid footwear is recommended when working outdoors. Wear protective hair covering to contain long hair.
- Use protective equipment.**
 - Always use safety glasses. Use a face or dust mask if working operations create dust or flying particles. If these particles might be considerably hot, also wear a heat-resistant apron. Wear ear protection at all times. Wear a safety helmet at all times.

10. Connect dust extraction equipment.

- If devices are provided for the connection of dust extraction and collecting equipment, ensure these are connected and properly used.

11. Do not abuse the cord.

- **Never yank the cord to disconnect it from the socket.** Keep the cord away from heat, oil and sharp edges. Never carry the tool by its cord.

12. Secure work.

- Where possible use clamps or a vice to hold the work. It is safer than using your hand and it frees both hands to operate the tool.

13. Do not overreach.

- Keep proper footing and balance at all times.

14. Maintain tools with care.

- Keep cutting tools sharp and clean for better and safer performance. Follow instructions for lubricating and changing accessories. Inspect tools periodically and if damaged have them repaired by an authorized service facility. Keep handles and switches dry, clean and free from oil and grease.

15. Disconnect tools.

- When not in use, before servicing and when changing accessories such as blades, bits and cutters, disconnect tools from the power supply.

16. Remove adjusting keys and wrenches.

- Form the habit of checking to see that adjusting keys and wrenches are removed from the tool before operating the tool.

17. Avoid unintentional starting.

- Do not carry the tool with a finger on the switch. Be sure that the tool is in the "off" position before plugging in.

18. Use outdoor extension leads.

- Before use, inspect the extension cable and replace if damaged. When the tool is used outdoors, use only extension cords intended for outdoor use and marked accordingly.

19. Stay alert.

- Watch what you are doing. Use common sense. Do not operate the tool when you are tired or under the influence of drugs or alcohol.

20. Check for damaged parts.

- Before use, carefully check the tool and mains cable to determine that it will operate properly and perform its intended function. Check for alignment of moving parts, binding of moving parts, breakage of parts, mounting and any other conditions that may affect its operation. A guard or other part that is damaged should be properly repaired or replaced by an authorized service centre unless otherwise indicated in this instruction manual. Have defective switches replaced by an authorized service centre. Do not use the tool if the switch does not turn it on and off. Never attempt any repairs yourself.



WARNING: The use of any accessory or attachment or performance of any operation with this tool other than those recommended in this instruction manual may present a risk of personal injury.

21. Have your tool repaired by a qualified person.

- This electric tool complies relevant safety rules. Repairs should only be carried out by qualified persons using original spare parts; otherwise this may result in considerable danger to the user.

Additional Safety for Metal Saws

- Do not use saw blades which are damaged or deformed;
- Use only saw blades recommended by the manufacturer which conform to EN 847-1;
- Do not use saw blades manufactured from high speed steel;
- Wear suitable personal protective equipment when necessary, this could include:
 - hearing protection to reduce the risk of induced hearing loss;
 - eye protection;
 - respiratory protection to reduce the risk of inhalation of harmful dust;
 - gloves for handling saw blades (saw blades shall be carried in a holder wherever practicable) and rough material;

Maintenance and Servicing

- Operator's instructions on factors influencing exposure to noise (e.g. use of saw blades designed to reduce the emitted noise, saw blade and machine maintenance);
- Report faults in the machine, including guards or saw blades, as soon as they are discovered.

Safe Operation

- Select the correct saw blade for the material to be cut;
- Do not use the saw to cut other materials than those recommended by the manufacturer;
- Lifting and transportation information. To lift and support the metal saw see Figure F.
- Do not use the saw without the guards in position, in good working order and properly maintained;
- Keep the floor area around the machine level, well maintained and free of loose materials e.g. chips and cut-offs;
- Provide adequate general or localised lighting;
- The operator is adequately trained in the use adjustment and operation of the machine;
- Use correctly sharpened saw blades. Observe the maximum speed marked on the saw blade;
- Ensure that any spacers and spindle rings used are suitable for the purpose as stated by the manufacturer;
- Refrain from removing any cut-offs or other parts of the workpiece from the cutting area while the machine is running and the saw head is not in the rest position;
- Ensure that the machine is always stable and secure. (e.g. fixed to a bench)

- To support long pieces see Figure C3.



WARNING: We recommend the use of a residual current device with a residual current rating of 30mA or less.

Residual Risks

The following risks are inherent to the use of saws:

- Injuries caused by touching the rotating parts
- Injuries caused by disruption of the cutting blade.

These risks are most evident:

- Withing the range of operation
- Within the range of the rotating machine parts

In spite of the application of the relevant safety regulations and the implementation of safety devices, certain residual risks cannot be avoided. These are:

- Impairment of hearing.
- Risk of accidents caused by the uncovered parts of the rotating saw blade.
- Risk of injury when changing the blade.
- Risk of squeezing fingers when opening the guards.

Electrical Safety

The electric motor has been designed for one voltage only. Always check that the power supply corresponds to the voltage on the rating plate.



Your DEWALT tool is double insulated in accordance with IEC61029; therefore no earth wire is required.



WARNING: 220-240V units have to be operated via a fail-safe isolating transformer with an earth screen between the primary and secondary winding.

If the supply cord is damaged, it must be replaced by a specially prepared cord available through the DEWALT service organisation.

Using an Extension Cable

If an extension cable is required, use an approved 3-core extension cable suitable for the power input of this tool (see **Technical Data**). The minimum conductor size is 1.5 mm²; the maximum length is 30 m.

When using a cable reel, always unwind the cable completely.

Package Contents

The package contains:

- 1 Toothed Chopsaw
- 1 Cutting blade
- 1 Hex key
- 1 Vertical clamp
- 1 Instruction manual
- Check for damage to the tool, parts or accessories which may have occurred during transport.
- Take the time to thoroughly read and understand this manual prior to operation.

Markings on Tool

The following pictograms are shown on the tool:



Read instruction manual before use.



Wear ear protection.



Wear eye protection.

Date Code Position (Fig. A)

The date code **26**, which also includes the year of manufacture, is printed into the housing.

Example:

2018 XX XX

Year of Manufacture

Description (Fig. A)



WARNING: Never modify the power tool or any part of it. Damage or personal injury could result.

- 1 On/off switch
- 2 Main handle
- 3 Carrying handle
- 4 Guard
- 5 Spindle lock
- 6 Material clamp
- 7 Fence
- 8 Mounting holes
- 9 Cutting table
- 10 Hex key

Intended Use

Your professional DEWALT toothed chopsaw has been designed for the cutting of variously shaped metal materials: water and gas pipes, angular iron, U-profiles, T-bars, rods, bolts, etc. Using the appropriate cutting blade, it can cut hot and cold rolled carbon steel, construction steels according to DIN 1700 (ST33, ST37-2, ST52-3), non-ferrous metals (i.e. aluminum, brass, copper), stainless steel and synthetic materials (i.e. PVC). This tool is not intended to be used in cast-iron, brick, tile or ceramic materials. The tool is never to be used for cutting magnesium work pieces

DO NOT use under wet conditions or in the presence of flammable liquids or gases.

These chopsaws are professional power tools.

DO NOT let children come into contact with the tool.

Supervision is required when inexperienced operators use this tool.

- **Young children and the infirm.** This appliance is not intended for use by young children or infirm persons without supervision.

- This product is not intended for use by persons (including children) suffering from diminished physical, sensory or mental abilities; lack of experience, knowledge or skills unless they are supervised by a person responsible for their safety. Children should never be left alone with this product.

ASSEMBLY AND ADJUSTMENTS

- ⚠ WARNING:** *To reduce the risk of serious personal injury, turn tool off and disconnect tool from power source before making any adjustments or removing/installing attachments or accessories. An accidental start-up can cause injury.*

Bench Mounting (Fig. A)

Mounting holes **8** have been provided to facilitate bench mounting.

Removing and Fitting a Cutting Blade (Fig. A, B1, B2)

1. With the arm in the rest position, use the lip **42** to slide the guard **4** back. Leave the guard retracted (Fig. B1).
2. Press and hold down the spindle lock **5** (Fig. B2).
3. Rotate the cutting blade until it locks.
4. Rotate the bolt cover **11** out of the way (Fig. B1).
5. Using the hex key **10**, remove the bolt **12** by turning counterclockwise and then remove the lock washer **29**, the flat washer **27** and the retaining flange **28** (Fig. B2).
6. Replace the cutting blade **13**. Make sure that the new blade is placed onto the flange **30** in correct rotational direction.
7. Secure the blade with the retaining flange **28**, the flat washer **27** and lock washer **29** and the bolt **12**.
8. Move the guard back down and release the spindle lock **5**.

- ⚠ WARNING:** *The teeth of a new blade are very sharp and can be dangerous.*

Clamping the Workpiece in Position (Fig. A, C1–C6)

The tool is equipped with a material clamp **6** (Fig. A).

1. Pull the lever **14** toward the handle **31** (Fig. C1).
2. Push the clamp shaft **32** forward until the jaw **33** is almost touching the workpiece.
3. Press the lever **14** toward the jaw **33** until it engages with the clamp shaft **32**.
4. Rotate the handle **31** clockwise and clamp the workpiece securely.
5. To release the workpiece, rotate the handle **31** counterclockwise.

- ⚠ WARNING:**
- *Clamp the workpiece as far towards the operator as possible.*
 - *Set the clamping position for cutting downstroke as long as the thickness of the workpiece is not exceeding the maximum downstroke cutting capacity (Fig. C2).*

- *The maximum downstroke cutting capacity is marked by slot **36**.*
- *Continue setting the clamping position as described below.*
- *Always attempt to clamp the workpiece in a way to minimize the number of teeth cutting through the material (Fig. C4).*
- *Support long workpieces using a piece of wood **15** (Fig. C3). Do not clamp the cut off end **34**.*

Vertical Clamp (Fig. C5, C6)

The vertical clamp **16** is used for upstroke cutting of wide and irregular shaped materials (Fig. C5).

1. Insert the vertical clamp in the hole **17** in the base (Fig. C6) until the clamp **16** rests on the workpiece (Fig. C5).
2. Pull the lever **18** down to clamp the workpiece.
3. Lift the lever **18** to release the clamp **16**.

- ⚠ WARNING:** *Always use the vertical clamp when cutting upstroke.*

Quick Travel Feature (Fig. C1)

The clamp has a quick travel feature.

- To release the clamp, rotate the handle **31** one or two turns counterclockwise and pull the lever **14** toward the handle **31**.

Setting the Clamping Position (Fig. C1, C6)

The clamping position can be set to match the cutting blade.

1. Pull the clamp lever **19** toward the handle **31** (Fig. C1) and pull out the location pin **20** to release the fence **7** (Fig. C6).
2. Move the fence **7** as required.
3. Push the clamp lever **19** back down to the cutting table **9** to lock the fence **7** (Fig. C1).

- ⚠ WARNING:** *If the clamp lever resistance is too light, slightly tighten the two adjusting bolts on the fence.*


Setting the Angle of Cut (Fig. C1, C6)

The tool can be used for mitre cuts up to 45°.

1. Pull the clamp lever **19** toward the handle **31** to release the fence **7** (Fig. C1).
2. Set the fence **7** to the required angle. The angle can be read on the scale **35**. Use the edge of the slot **36** as a reference (Fig. C6).
3. Push the clamp lever **19** back down to the cutting table **9** to lock the fence (Fig. C1).
4. If additional clamping is required, the angle of cut can be further fixed in the 90° and 45° cross-cut positions.
 - a. Align the fence **7** with slot **37**, slot **38** or slot **39** in order to fix the 90° or 45° cross-cut position (Fig. C6).
 - b. Place the pin **20** through the fence into one of the holes **40**.

Checking and Adjusting the Mitre Scale (Fig. C1, D1, D2)

1. Pull the clamp lever **19** toward the handle **31** to release the fence (Fig. C1).
2. Pull down the arm and lock it in this position by pushing in the lock-down pin **21** (Fig. D2).
3. Place a square **22** against the fence **7** and the left side of the cutting blade creating a perfect 90° (Fig. D1).

 **WARNING:** Do not touch the tips of the blade teeth with the square.

4. Push the clamp lever **19** back down to the cutting table **9** to lock the fence (Fig. C1).
5. Pull out the lock-down pin **21** and return the arm to its upper rest position (Fig. D2).
6. Check that the 0° marking on the scale **35** aligns with the edge of the slot **36** (Fig. D1).
7. If adjustment is required, proceed as follows:
 - a. Loosen the screws **23**.
 - b. Align the 0° marking on the scale **35** with the edge of the slot **36**.
 - c. Retighten the screws **23**.

Adjusting the Spark deflector (Fig. E)


1. Loosen the screw **24**.
2. Set the spark deflector **25** as appropriate.
3. Tighten the screw **24**.


Prior to Operation:

- Install the appropriate cutting blade. Only use sharp or correctly sharpened blades. The maximum rotation speed of the tool must not exceed that of the cutting blade.
- Make sure the blade rotates in the direction of the arrows on the accessory and the tool.
- Secure the workpiece.
- Make sure all locking knobs and clamp handles are tight.
- Always set the spark deflector correctly.
- Do not attempt to cut excessively small pieces. Never perform cuts on small workpieces bundled together.


OPERATION

Instructions for Use

 **WARNING:** Always observe the safety instructions and applicable regulations.

 **WARNING:** To reduce the risk of serious personal injury, turn tool off and disconnect tool from power source before making any adjustments or removing/installing attachments or accessories. An accidental start-up can cause injury.

 **WARNING:** Do not apply excessive pressure to the tool.

 **WARNING:** Avoid overloading. Should the tool become hot, let it run a few minutes under no load condition.

Performing a Cut (Fig. A)

1. Place the material to be cut against the fence **7** and as far towards the operator as possible. Secure using the material clamp **6**.
2. Switch on the machine and pull down the Main handle **2** to cut the workpiece. Allow the motor to reach full speed before cutting.
3. Allow the blade to cut freely. Do not force.
4. After completing the cut, switch off the machine and return the arm to its upper rest position.

Switching On and Off (Fig. A)

The on/off switch **1** is mounted in the Main handle **2**.

To run the tool, press the on/off switch **1**.

Keep the on/off switch depressed while performing the operation.

To stop the tool, release the switch.



WARNING: Do not switch the tool on or off when under load.



WARNING: Do not cut magnesium.

Transporting (Fig. F)

The tool is equipped with a lock-down pin **21** which locks the tool in closed-down position for carrying.

Lower the guard **4** onto the cutting table **9** and secure the tool in this position by pushing in the lock-down pin **21**.

Transport the tool using the carrying handle **3**.

To release the tool, pull out the lock-down pin **21**.

Proper Hand Position (Fig. A, G)



WARNING: To reduce the risk of serious personal injury, ALWAYS use proper hand position as shown.



WARNING: To reduce the risk of serious personal injury, ALWAYS hold securely in anticipation of a sudden reaction.

Proper hand position requires one hand on the main handle **2** and the other hand holding the workpiece away from the blade.



WARNING:

- Never place your hands near the cutting area.
- Hold the workpiece tightly to the table and the fence when cutting. Keep your hands in position until the switch has been released and the blade has completely stopped.
- Do not cross your hands.
- Keep both feet firmly on the floor and maintain proper balance.

MAINTENANCE

Your DeWALT power tool has been designed to operate over a long period of time with a minimum of maintenance. Continuous satisfactory operation depends upon proper tool care and regular cleaning.



WARNING: *To reduce the risk of serious personal injury, turn tool off and disconnect tool from power source before making any adjustments or removing/ installing attachments or accessories. An accidental start-up can cause injury. in the OFF position. An accidental start-up can cause injury.*



Lubrication

Your power tool requires no additional lubrication.



Cleaning



WARNING: *Blow dirt and dust out of the main housing with dry air as often as dirt is seen collecting in and around the air vents. Wear approved eye protection and approved dust mask when performing this procedure.*



WARNING: *Never use solvents or other harsh chemicals for cleaning the non-metallic parts of the tool. These chemicals may weaken the materials used in these parts. Use a cloth dampened only with water and mild soap. Never let any liquid get inside the tool; never immerse any part of the tool into a liquid.*

Optional Accessories



WARNING: *Since accessories, other than those offered by DeWALT, have not been tested with this product, use of such accessories with this tool could be hazardous. To reduce the risk of injury, only DeWALT recommended accessories should be used with this product.*

Consult your dealer for further information on the appropriate accessories.

Protecting the Environment



Separate collection. Products and batteries marked with this symbol must not be disposed of with normal household waste.

Products and batteries contain materials that can be recovered or recycled reducing the demand for raw materials. Please recycle electrical products and batteries according to local provisions. Further information is available at www.2helpU.com.

金屬切斷機

DW872

恭喜！

感謝您選購 DeWALT 工具。憑藉多年的經驗、完善的產品開發與創新，DeWALT 已成為專業電動工具使用者最可靠的合作夥伴之一。請注意！各地區上市產品/配件不盡相同，請依台灣繁體中文說明書的內容為主。

技術資料

		DW872
電壓	伏特 _{交流}	110
輸入功率	瓦特	2200
空載轉速	轉/分	1300
鋸片直徑	公釐	355
鋸片孔徑	公釐	25.4
鋸片厚度	公釐	1.95
鋸片縫厚度	公釐	2.31
鋸片齒數		66
90° 橫切範圍		
圓形	公釐	130
方形	公釐	100 x 100
矩形	公釐	75 x 130
尖角形	公釐	92 x 92
45° 橫切範圍		
圓形	公釐	79
方形	公釐	79 x 79
矩形	公釐	79 x 123
尖角形	公釐	56 x 56
重量	kg	22.5

定義：安全指南

以下定義描述了每一個詞彙的嚴重程度。請閱讀本手冊並注意這些符號。



危險：表示緊急危險狀況，若未能避免，**將導致死亡或嚴重傷害。**



警告：表示潛在危險情況，若未能避免，**可能導致死亡或嚴重傷害。**



小心：表示潛在危險情況，若未能避免，**可能導致輕微或中度傷害。**

注意：表示一種**非人身傷害**的行為，若未能避免，**可能導致財產損失。**



表示觸電危險。



表示火災危險。

安全說明



警告：使用電氣工具時，應始終遵循基本安全預防措施，以降低發生火災、觸電與人身傷害的風險。這些預防措施包括以下內容。

嘗試操作本產品前，請閱讀所有這些說明，並將其妥善保存。

請保存本手冊以備將來查閱

一般安全規則

- 保持工作區域整潔。**
 - 凌亂的場所與工作台可能導致傷害發生。
- 留意工作場所的環境。**
 - 請勿將工具暴露在雨中。請勿在潮濕環境下使用工具。保持工作場所明亮 (250-300 勒克斯)。如果可能導致火災或爆炸，例如有可燃液體和氣體存在，請勿使用工具。
- 防止觸電。**
 - 避免身體接觸接地表面，例如管道、暖氣片、炊具和冰箱。如在極端情形下 (例如高濕、會生成金屬碎片等) 使用工具，可透過插入一個絕緣變壓器或 (FI) 接地漏電斷路器來提昇用電安全性。
- 不可讓其他人員靠近。**
 - 請勿讓不參與工作的其他人員 (尤其是兒童) 接觸工具或延長線，並確保他們遠離工作區。
- 存放閒置工具。**
 - 不用時必須將工具存放在乾燥的地方，並牢固鎖好以防止兒童接觸。
- 請勿超負荷使用工具。**
 - 按設計能力使用本工具將能更好、更安全地完成工作。
- 請使用合適的工具。**
 - 請勿超負荷使用小型工具執行重型工具的工作。請勿將工具用於非預期用途；例如，不得使用圓鋸切割樹枝或原木。
- 適當穿著。**
 - 請勿穿著寬鬆的衣服或佩戴首飾，這些可能被移動部件所纏繞。室外工作時，建議穿防滑鞋。請佩戴保護頭套，將長髮束好。
- 請使用防護設備。**
 - 務必使用護目鏡。如果操作可能產生灰塵或飛屑，請使用面罩和防塵罩。如果碎屑非常熱，還必須穿著隔熱圍裙。任何時間都必須佩戴護耳裝置。任何時間都必須佩戴安全帽。
- 連接除塵設備。**
 - 若為連接除塵與集塵設備而提供了裝置，請確保妥善連接及正確使用這些裝置。
- 請勿以不當方式使用電線。**
 - 切勿以拉扯電線的方式從插座上拔下插頭。讓電線遠離高溫、油和尖銳邊緣。切勿以提拉電線的方式搬運工具。

12. 固定工件。

- 在可能的情况下，使用夾具或老虎鉗牢固鎖緊工件。這比用手固定更加安全，可解放雙手去操作工具。

13. 請勿過度伸張雙手。

- 時刻注意腳下與身體的平衡。

14. 請細心維護工具。

- 為更好、更安全地發揮工具效能，請保持切削工具鋒利、清潔。請遵循潤滑與更換配件的指示。請定期檢查工具，並在損壞的情況下交由經授權的維修工廠修理。請保持手柄及開關乾燥、清潔並遠離油與油脂。

15. 斷開工具的電源連接。

- 在不使用工具時、維修前以及在更換諸如鋸片、刀頭和刀具等配件時，請斷開工具與電源供應器的連接。

16. 卸下調整鑰匙與扳手。

- 請養成在操作工具前查看是否已從工具上卸下調整鑰匙和扳手的習慣。

17. 避免意外啟動。

- 搬運工具時請勿將手指放在開關上。接通電源前，請確保工具處於「關閉」狀態。

18. 使用室外延長電線。

- 使用前須檢查延長電纜，如有損壞請予替換。若在室外使用工具，請僅使用供室外使用且有相應標記的延長電線。

19. 保持警惕。

- 工作時時刻小心。遵守常識。切勿在疲倦時或在藥物或酒精的影響下操作本工具。

20. 檢查是否有損壞的零件。

- 使用前，請仔細檢查工具和電源纜線，確定其是否可正確工作並執行其預期功能。檢查活動部件是否錯位、夾鉗或破損，支架是否損壞，以及是否存在任何其它影響操作的情況。除本使用手冊特別說明外，損壞的護罩或其它部件應交由經授權的服務中心進行適當修理或更換。將有缺陷的開關交由經授權的服務中心進行更換。若開關不能開啟或關閉工具，請勿使用工具。切勿自行嘗試修理。



警告：若使用非本說明手冊所建議的任何配件或附件，或使用本工具執行非本說明手冊所建議的任何操作，可能會導致人身傷害風險。

21. 將工具交由合格人員進行修理。

- 本電動工具符合相關安全規定。應僅使用原廠備件並由合格人員進行修理；否則可能對使用者導致嚴重傷害。

金屬電鋸的其他安全說明

- 請勿使用已受損或變形的鋸片；
- 請僅使用製造商建議之符合 EN 847-1 的鋸片；
- 請勿使用採用高速鋼製造的鋸片；
- 在必要時，請佩戴適當的個人防護設備，這些設備可能包括：
 - 聽力保護設備，以降低聽力受損的風險；
 - 護目設備；
 - 呼吸保護設備，以降低吸入有害粉塵的風險；
 - 手套，以手持鋸片（在可行時應使用固定器搬運鋸片）及粗糙的材料；

維護及維修

- 有關噪聲影響因素的操作員說明（例如使用專為減少發出的噪聲而設計的鋸片、鋸片與機器維護）；
- 若發現機器（包括護罩或鋸片）發生故障，應立即報告。

安全操作

- 針對要切割的材料選取正確的鋸片；
- 請勿使用本電鋸切割非製造商建議的材料；
- 抬舉及運輸資訊。若要抬舉及支撐金屬電鋸，請參閱圖 F。
- 請勿在護罩不到位的狀況下使用電鋸，請遵循良好的工序並進行正確維護；
- 請保持機器周圍的地面處於水平狀態、維護良好並且無鋸屑及鋸除物等鬆軟材料；
- 提供充足的總體或局部照明；
- 操作員應在機器使用、調整及操作方面受過充分訓練；
- 使用恰當、鋒利的鋸片。觀察鋸片上標記的最大轉速；
- 確保使用的任何墊圈及軸環皆適合製造商所述用途；
- 避免在機器正在運作時以及鋸頭不在靜止位置時從切割區移除任何鋸除物或工件的其它部件；
- 確保機器始終平穩牢固。（例如可以固定在台面上）
- 若要支撐長工件，請參閱圖 C。



警告：我們建議使用漏電流額定值不超過 30mA 的漏電流保護裝置。

剩餘風險

使用斜切鋸時具有下列固有風險：

- 接觸旋轉部件導致的傷害
- 停止切割鋸片導致的傷害。

以下這些危險最為常見：

- 進入運作範圍
- 進入機器旋轉部件的範圍

即使應用有關的安全規定並採用安全設備，仍然還有一些無法避免的剩餘風險。此類風險包括：

- 聽力受損。
- 旋轉鋸片的未遮蔽部件導致的事故風險。
- 更換鋸片時的傷害風險。
- 開啟防護裝置時夾傷手指的危險。

電氣安全

電動機只適用一種電壓。請務必檢查電源電壓是否與銘牌一致。



本 DEWALT 工具已根據 IEC61029 進行雙重絕緣，因此不需要使用接地線。



警告：220-240V 裝置必須透過失靈安全隔離變壓器運作，在初級繞組與次級繞組之間使用接地屏蔽。

若電源線損壞，必須使用 DEWALT 維修機構提供的專用電線進行更換。

使用延長電纜

若需要使用延長電纜，請使用適合本工具功率輸入的認證 3 芯延長電纜（請參閱 **技術資料**）。導電體的最小橫截面積為 1.5 平方公釐；最大長度為 30 米。

使用電纜捲筒時，每次必須把電纜完全展開。

套裝內的物件

本套裝包括：

- 1 個 金屬切斷機
- 1 個 六角扳手
- 1 個 垂直夾具
- 1 本 使用手冊

- 檢查工具、部件或配件有否在運送途中損壞。
- 操作前，請抽空徹底地閱讀和掌握本手冊的內容。

工具上的標誌

工具上會附帶下列圖示：



使用前請閱讀使用手冊。



請佩戴聽力保護器。



請佩戴護目鏡。

日期代碼位置 (圖 A)

日期代碼 **26**，包括 製造年份，已經印刷在外殼上。

範例：

2019 XX XX
製造年份

說明 (圖 A)



警告：切勿改動本電動工具或其任何部件。否則可能導致損壞或人身傷害。

- 1 電源開關
- 2 主手柄
- 3 搬運手柄
- 4 防護罩
- 5 軸心鎖
- 6 材料夾具
- 7 擋板
- 8 安裝孔
- 9 切割台
- 10 六角扳手

設計用途

本專業 DEWALT 金屬切斷機專為切割不同形狀的以下金屬材料而設計：水管與煤氣管、角鐵、U 形鋼、T 形鐵、棒材、螺栓等。本電鋸使用適當的切割鋸片，可以切割熱/冷軋碳鋼、符合 DIN 1700 (ST33、ST37-2、ST52-3) 的結構鋼、非鐵金屬 (例如鋁、黃銅、銅)、不鏽鋼及合成材料 (例如 PVC)。本工具的設計目的不包括切割鑄鐵、磚塊、瓦片或陶瓷材料。切勿使用本工具切割鎂質工件。

請勿在潮濕有水或存有易燃液體或氣體的環境下使用本工具。

這些電鋸是專業的電動工具。

請勿讓兒童接觸本工具。缺乏經驗的操作人員需要在監督下使用本工具。

- **兒童和體弱者。** 兒童或體弱者在沒有他人監督的情況下不適宜使用本工具。
- 除非在負責安全的人員監督之下，否則體力、感覺或智力不足以及缺乏經驗、知識或技能的人員 (包括兒童) 不適合使用本產品。請勿讓兒童單獨接觸本工具。

裝配與調整



警告：為了降低造成嚴重人身傷害的風險，在進行任何調整或卸下或安裝附件或配件之前，切記關閉工具並斷開工具電源。意外啟動工具可能會造成傷害。

安裝工作台 (圖 A)

為方便工作台安裝，已提供安裝孔 **8**。

卸下與安裝切割鋸片 (圖 A、B1、B2)

1. 在鋸臂處於靜止位置時，利用罩邊 **42** 將護罩 **4** 滑回。保持護罩處於縮進狀態 (圖 B1)。
2. 按下並按住心軸鎖 **5** (圖 B2)。
3. 旋轉切割鋸片直至其鎖定位。
4. 將螺栓護罩 **11** 旋開 (圖 B1)。
5. 使用六角扳手 **10** 逆時鐘轉動以卸下螺栓 **12**，然後卸下防鬆墊圈 **29**、平墊圈 **27** 及固定凸緣 **28** (圖 B2)。
6. 更換切割鋸片 **13**。確保將新鋸片以正確的旋轉方向放置在凸緣 **30** 上。
7. 使用固定凸緣 **28**、平墊圈 **27**、防鬆墊圈 **29** 及螺栓 **12** 固定鋸片。
8. 將護罩朝下拉回並鬆開心軸鎖 **5**。



警告：新鋸片的齒非常鋒利，可能很危險。

將工件夾持到位 (圖 A、C1–C6)

本工具配有材料夾具 **6** (圖 A)。

1. 將控制桿 **14** 向手柄 **31** 方向拉動 (圖 C1)。
2. 向前推夾具軸 **32** 直到鉗夾 **33** 幾乎觸到工件為止。
3. 向鉗夾 **33** 方向按下控制桿 **14**，直到其與夾具軸 **32** 結合為止。
4. 順時鐘旋轉手柄 **31**，並將工件夾緊。
5. 若要鬆開工件，請逆時鐘旋轉手柄 **31**。



警告：

- 請盡可能在遠離操作者的位置夾持工件。
- 針對切割向下行程設定夾持位置，只要工件厚度不超過最大向下行程切割範圍即可 (圖 C2)。
 - 最大向下行程切割範圍以槽 **36** 進行標記。
 - 按照以下所述繼續設定夾持位置。
- 請始終嘗試以特定方式夾持工件，以便盡量減少對材料進行切割的齒數 (圖 C4)。
- 使用木料 **15** 支撐長工件 (圖 C3)。請勿夾持切割端 **34**。

垂直夾具 (圖 C5、C6)

垂直夾具 **16** 用於對寬的及形狀不規則的材料進行向上行程的切割 (圖 C5)。

1. 將垂直夾具插入到底座上的孔 **17** 中 (圖 C6)，直到夾具 **16** 位於工件上為止 (圖 C5)。
2. 向下拉控制桿 **18** 以夾持工件。
3. 抬舉控制桿 **18** 以鬆開夾具 **16**。

警告：在執行向上行程的切割時，請務必使用垂直夾具。

快速移動功能 (圖 C1)

夾具有快速移動功能。

- 若要鬆開夾具，請逆時鐘旋轉手柄 **31** 一或兩圈，然後向手柄 **31** 方向拉控制桿 **14**。

設定夾持位置 (圖 C1、C6)

可將夾持位置設定為與切割鋸片相符。

1. 將夾具控制桿 **19** 向手柄 **31** 方向拉動 (圖 C1)，然後拉出定位銷 **20** 以鬆開擋板 **7** (圖 C6)。
2. 視需要移動擋板 **7**。
3. 將夾具控制桿 **19** 向下拉回到切割台 **9**，以鎖定擋板 **7** (圖 C1)。

警告：若夾具控制桿阻力過小，請稍稍旋緊擋板上的兩枚調節螺栓。

設定切割角度 (圖 C1、C6)

本工具可以進行最大 45° 的斜切。

1. 將夾具控制桿 **19** 向手柄 **31** 方向拉動，以鬆開擋板 **7** (圖 C1)。
2. 將擋板 **7** 設定為所需角度。可從刻度尺 **35** 上讀取角度。使用槽 **36** 的邊緣作為參考 (圖 C6)。
3. 將夾具控制桿 **19** 向下拉回到切割台 **9**，以鎖定擋板 (圖 C1)。
4. 除了需要進一步夾持之外，還可以在 90° 與 45° 橫切位置進一步固定切割角度。
 - a. 將擋板 **7** 與槽 **37**、槽 **38** 或槽 **39** 對齊，以固定 90° 或 45° 橫切位置 (圖 C6)。
 - b. 將銷 **20** 穿過擋板，插入到其中一個孔 **40** 中。

檢查並調節斜切刻度尺 (圖 C1、D1、D2)

1. 將夾具控制桿 **19** 向手柄 **31** 方向拉動，以鬆開擋板 (圖 C1)。
2. 向下拉動鋸臂，並將其推入鎖定銷 **21** 以將其鎖定到位置 (圖 D2)。
3. 將直角尺 **22** 靠在擋板 **7** 上，讓切割鋸片的左側呈完美的 90° (圖 D1)。

警告：請勿讓直角尺接觸鋸齒尖端。

4. 將夾具控制桿 **19** 向下拉回到切割台 **9**，以鎖定擋板 (圖 C1)。
5. 拉出鎖定銷 **21**，並將鋸臂送回到其上方靜止位置 (圖 D2)。
6. 檢查刻度尺 **35** 上的 0° 標記是否與槽 **36** 的邊緣對齊 (圖 D1)。

7. 若需調整，按以下方式進行：

- a. 旋鬆螺絲 **23**。
- b. 將刻度尺 **35** 上的 0° 標記與槽 **36** 的邊緣對齊。
- c. 重新旋緊螺絲 **23**。

調節火花偏導器 (圖 E)

1. 旋鬆螺絲 **24**。
2. 適當設定火花偏導器 **25**。
3. 旋緊螺絲 **24**。

使用前的準備工作：

- 安裝合適的鋸片。請僅使用鋒利的或以正確方式磨快的鋸片。工具最大旋轉速度不得超過切割鋸片的最大旋轉速度。
- 確保切割鋸片按照配件與工具上的箭頭方向旋轉。
- 固定工件。
- 確保所有鎖定旋鈕與夾具手柄皆已旋緊。
- 務必正確設定火花偏導器。
- 請勿嘗試切割過小的工件。切勿對綁在一起的小工件執行切割。

操作

使用說明

警告：務必遵守安全指示和適用的規則。

警告：為了降低造成嚴重人身傷害的風險，在進行任何調整或卸下或安裝附件或配件之前，切記關閉工具並斷開工具電源。意外啟動工具可能會造成傷害。

警告：請勿對工具施加過大壓力。

警告：避免過載。若工具變熱，請讓其在空載狀況下運作幾分鐘。

執行切割 (圖 A)

1. 將待切割的材料靠在擋板 **7** 上，盡可能遠離操作者。使用材料夾具 **6** 進行固定。
2. 打開機器電源，拉下主手柄 **2** 以切割工件。切割前允許電動機達到全速。
3. 讓鋸片自由切割。請勿強行裝入。
4. 完成切割後，關閉機器電源，並將鋸臂送回其上方靜止位置。

開啟和關閉電源 (圖 A)

電源開關 **1** 安裝在主手柄 **2** 上。

若要運作工具，請按下電源開關 **1**。

執行操作時，請始終按住電源開關。

若要停止工具，請鬆開開關。

警告：請勿在有負載時間/關工具。

警告：請勿切割鋸材料。

運輸 (圖 F)

工具配備鎖定銷 **21**，可將工具鎖定在關閉狀態以方便搬運。
將護罩 **4** 放低到切割台 **9** 上，然後推入鎖定銷 **21** 將工具固定到位。

使用搬運手柄 **3** 運輸工具。

若要釋放工具，請拉出鎖定銷 **21**。

正確的雙手放置位置 (圖 A、G)



警告：為了減低嚴重人身傷害的風險，請**務必**如圖示那樣正確放置雙手。



警告：為了減低造成嚴重人身傷害的風險，預期有突然反作用力時**務必**握緊。

正確的雙手放置位置是一隻手放在主手柄 **2** 上，另一隻手握持工件上遠離鋸片的位置。



警告：

- 手切勿靠近切割區域。
- 切割時，請將工件牢牢固定在平臺上及擋板旁。將手放在適當的位置，直到鬆開開關且鋸片完全停止為止。
- 請勿交叉雙手。
- 請雙足平穩地站在地上，保持正常的身體平衡。

維護

DeWALT 電動工具採用卓越的設計，能夠長時間使用，並且只需最少的維護。若要持續獲得滿意的操作效果，需進行正確的工具維護和定期的清潔。



警告：為了降低造成嚴重人身傷害的風險，在進行任何調整或卸下或安裝附件或配件之前，切記關閉工具並斷開工具電源。意外啟動工具可能會造成傷害。處於關閉位置。意外啟動工具可能會造成傷害。



潤滑

本電動工具毋需額外潤滑。



清潔



警告：一旦通風口及其周圍積聚可見的粉塵，請立即使用乾燥的壓縮空氣吹掉主機外殼內的粉塵和灰塵。執行此步驟時，請佩戴經認可的護目裝備和防塵面罩。



警告：切勿使用溶劑或其他刺激性化學品來清潔工具的非金屬部件。這些化學品可能會削弱部件中使用的材料。只能使用抹布蘸中性肥皂水進行清潔。不要讓任何液體進入工具；不要讓工具的任何部分浸入液體中。

選購配件



警告：由於非 DeWALT 所提供的配件未在本產品上進行過使用測試，在本產品上使用這些配件可能會導致危險。為降低傷害危險，在本產品上只應使用 DeWALT 所推薦的配件。

如需進一步瞭解適用配件的相關資訊，請洽詢當地代理商。

保護環境



分開收集。帶有此標誌的產品和電池必須與一般家庭廢物分開處置。

產品和電池包含可重複使用或回收的材料，可降低對原材料的需求。請根據當地法規回收電氣產品和電池。更多資訊，請造訪 www.2helpU.com。

進口商：新加坡商百得電動工具（股）公司台灣分公司

地址：台北市士林區德行西路 33 號 2 樓

總經銷商：永安實業股份有限公司

地址：新北市三重區新北大道二段 137 號

電話：02-2999463

