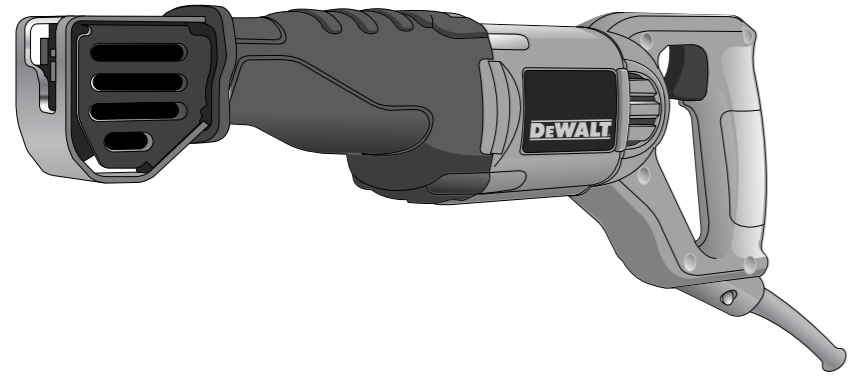




4 Position VS Reciprocating Saw

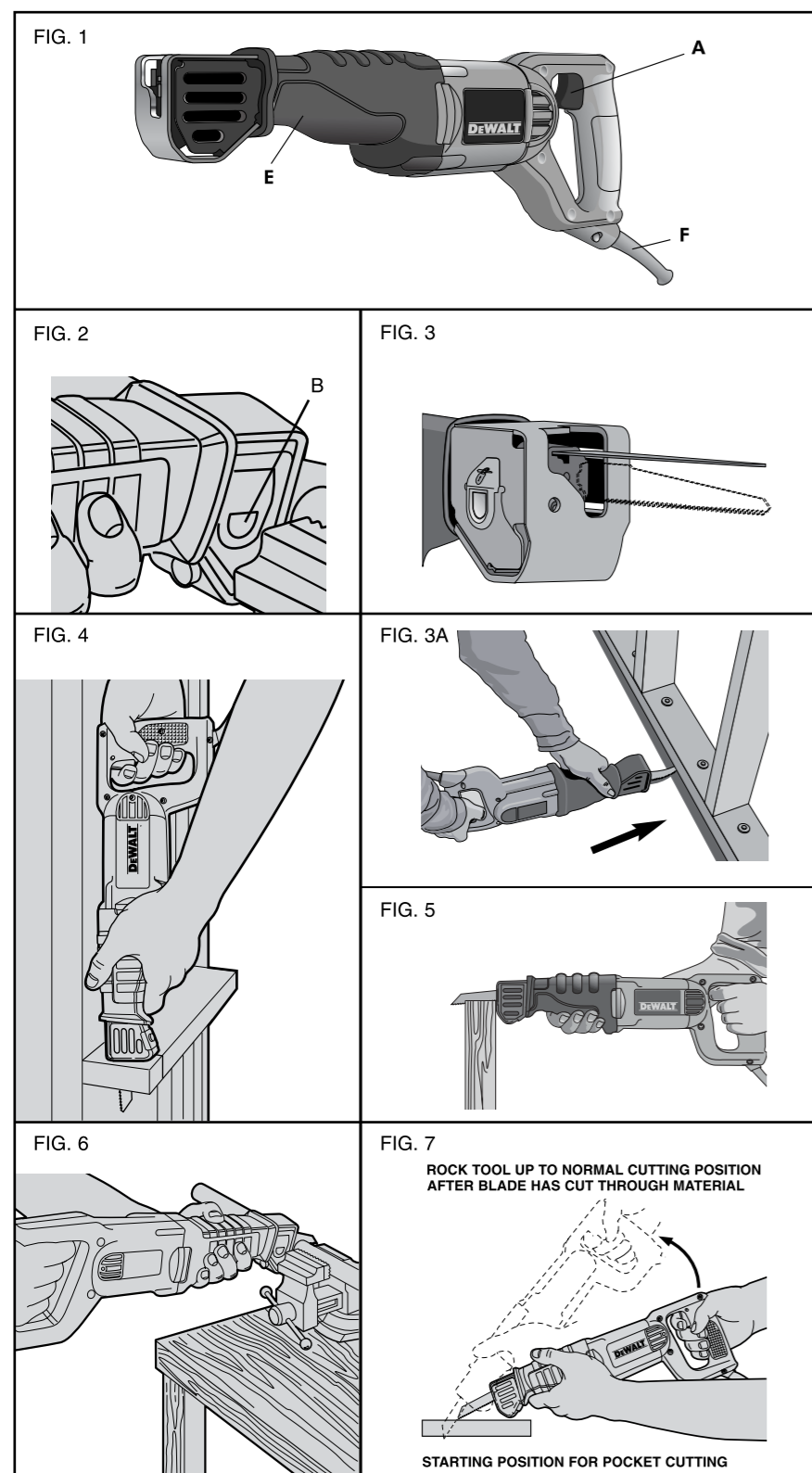


DW304PK

www.dewalt.com

DeWALT Industrial Tool Co., 701 East Joppa Road, Baltimore, MD 21286

(MAR10) Part No. N055726 Copyright © 2008, 2010 DeWALT



General Power Tool Safety Warnings

⚠ WARNING! Read all safety warnings and all instructions. Failure to follow the warnings and instructions may result in electric shock, fire and/or serious injury.

Save all warnings and instructions for future reference.

The term "power tool" in the warnings refers to your mains-operated (corded) power tool or battery-operated (cordless) power tool.

1) Work area safety

- Keep work area clean and well lit. Cluttered or dark areas invite accidents.
- Do not operate power tools in explosive atmospheres, such as in the presence of flammable liquids, gases or dust. Power tools create sparks which may ignite the dust or fumes.
- Keep children and bystanders away while operating a power tool. Distractions can cause you to lose control.

2) Electrical safety

- Power tool plugs must match the outlet. Never modify the plug in any way. Do not use any adapter plugs with earthed (grounded) power tools. Unmodified plugs and matching outlets will reduce risk of electric shock.
 - Avoid body contact with earthed or grounded surfaces, such as pipes, radiators, ranges and refrigerators. There is an increased risk of electric shock if your body is earthed or grounded.
 - Do not expose power tools to rain or wet conditions. Water entering a power tool will increase the risk of electric shock.
 - Do not abuse the cord. Never use the cord for carrying, pulling or unplugging the power tool. Keep cord away from heat, oil, sharp edges or moving parts. Damaged or entangled cords increase the risk of electric shock.
 - When operating a power tool outdoors, use an extension cord suitable for outdoor use. Use of a cord suitable for outdoor use reduces the risk of electric shock.
 - If operating a power tool in a damp location is unavoidable, use a residual current device (RCD) protected supply. Use of an RCD reduces the risk of electric shock.
- NOTE: The term "residual current device (RCD)" may be replaced by the term "ground fault circuit interrupter (GFCI)" or "earth leakage circuit breaker (ELCB)".

3) Personal safety

- Stay alert, watch what you are doing and use common sense when operating a power tool. Do not use a power tool while you are tired or under the influence of drugs, alcohol or medication. A moment of inattention while operating power tools may result in serious personal injury.
- Use personal protective equipment. Always wear eye protection. Protective equipment such as dust mask, non-skid safety shoes, hard hat, or hearing protection used for appropriate conditions will reduce personal injuries.
- Prevent unintentional starting. Ensure the switch is in the off-position before connecting to power source and/or battery pack, picking up or carrying the tool. Carrying power tools with your finger on the switch or energising power tools that have the switch on invites accidents.
- Remove any adjusting key or wrench before turning the power tool on. A wrench or a key left attached to a rotating part of the power tool may result in personal injury.
- Do not overreach. Keep proper footing and balance at all times. This enables better control of the power tool in unexpected situations.
- Dress properly. Do not wear loose clothing or jewellery. Keep your hair, clothing and gloves away from moving parts. Loose clothes, jewellery or long hair can be caught in moving parts.
- If devices are provided for the connection of dust extraction and collection facilities, ensure these are connected and properly used. Use of dust collection can reduce dust-related hazards.

4) Power tool use and care

- Do not force the power tool. Use the correct power tool for your application. The correct power tool will do the job better and safer at the rate for which it was designed.
- Do not use the power tool if the switch does not turn it on and off. Any power tool that cannot be controlled with the switch is dangerous and must be repaired.
- Disconnect the plug from the power source and/or the battery pack from the power tool before making any adjustments, changing accessories, or storing power tools. Such preventive safety measures reduce the risk of starting the power tool accidentally.
- Store idle power tools out of the reach of children and do not allow persons unfamiliar with the power tool or these instructions to operate the power tool. Power tools are dangerous in the hands of untrained users.
- Maintain power tools. Check for misalignment or binding of moving parts, breakage of parts and any other condition that may affect the power tool's operation. If damaged, have the power tool repaired before use. Many accidents are caused by poorly maintained power tools.
- Keep cutting tools sharp and clean. Properly maintained cutting tools with sharp cutting edges are less likely to bind and are easier to control.
- Use the power tool, accessories and tool bits etc. in accordance with these instructions, taking into account the working conditions and the work to be performed. Use of the power tool for operations different from those intended could result in a hazardous situation.

5) Service

- Have your power tool serviced by a qualified repair person using only identical replacement parts. This will ensure that the safety of the power tool is maintained.

Additional Specific Safety Rules

- Hold tool by insulated gripping surfaces when performing an operation where the cutting tool may contact hidden wiring or its own cord. Contact with a "live" wire will make exposed metal parts of the tool "live" and shock the operator.
- Do not operate this tool for long periods of time. Vibration caused by the operating action of this tool may cause permanent injury to fingers, hands, and arms. Use gloves to provide extra cushion, take frequent rest periods, and limit daily time of use.

⚠ CAUTION: Wear appropriate personal hearing protection during use. Under some conditions and duration of use, noise from this product may contribute to hearing loss.

⚠ WARNING: Some dust created by power sanding, sawing, grinding, drilling, and other construction activities contains chemicals known to cause cancer, birth defects or other reproductive harm. Some examples of these chemicals are:

- lead from lead-based paints,
- crystalline silica from bricks and cement and other masonry products, and
- arsenic and chromium from chemically-treated lumber (CCA).

Your risk from these exposures varies, depending on how often you do this type of work. To reduce your exposure to these chemicals: work in a well ventilated area, and work with approved safety equipment, such as those dust masks that are specially designed to filter out microscopic particles.

- Avoid prolonged contact with dust from power sanding, sawing, grinding, drilling, and other construction activities. Wear protective clothing and wash exposed areas with soap and water. Allowing dust to get into your mouth, eyes, or lay on the skin may promote absorption of harmful chemicals.

⚠ WARNING: Use of this tool can generate and/or disburse dust, which may cause serious and permanent respiratory or other injury. Always use NIOSH/OSHA approved respiratory protection appropriate for the dust exposure. Direct particles away from face and body.

- The label on your tool may include the following symbols.

V	volts	A	amperes
Hz	hertz	W	watts
min	minutes	~	alternating current
====	direct current	no	no load speed
Ⓜ	Class II Construction	⊕	earthing terminal
⚠	safety alert symbol	.../min.....	revolutions per minute

Switch (Variable Speed) (Fig. 1)

The variable speed trigger switch (A) will give you added versatility. The further the trigger is depressed the higher the speed of the saw. To turn the tool "OFF" release the trigger.

⚠ CAUTION: Use of very slow speed is recommended only for beginning a cut. Prolonged use at very slow speed may damage your saw.

Blade Clamp Release Lever DW304PK (Fig.2)

⚠ CAUTION: TURN OFF AND UNPLUG SAW.

To install blade into saw:

- Pull blade clamp release lever (B) up.
- Insert blade shank from the front.
- Push blade clamp release lever down.

To remove blade from saw:

- Open blade clamp release lever.
- Remove blade.

⚠ CAUTION: THE BLADE GUARD IS THERE FOR YOUR SAFETY. DO NOT REMOVE IT.

Cutting with Blade in Horizontal Position DW304PK (Fig. 3A)

Installing a blade in the horizontal orientation allows cutting close to floors, walls or ceilings where limited clearance is available. Ensure that the Blade Guard is pressed against the framing to avoid kickback.

Flush-To Cutting (Fig. 4)

The compact design of the saw motor housing and spindle housing permits extremely close cutting to floors, corners and other difficult areas.

⚠ CAUTION: When sawing into walls, floors or wherever "live" electrical wires may be encountered, DO NOT TOUCH ANY FRONT METAL PARTS OF THE TOOL! Hold the tool only by the plastic handle and housing to prevent electric shock if you saw into a "live" wire.

⚠ CAUTION: Always wear eye protection while operating this power tool.

Wood Cutting (Fig. 5)

Before cutting any type of wood, be sure it is firmly anchored or clamped to prevent slipping. Place blade lightly against work to be cut, switch on saw motor and allow it to obtain maximum speed before applying pressure. Always hold saw firmly with both hands while cutting. Whenever possible, the saw shoe must be held firmly against the material being cut. This will prevent the saw from jumping or vibrating and minimize blade breakage.

Metal Cutting (Fig. 6)

This unit has different metal cutting capacities depending upon type of blade used and the metal to be cut. Use a finer blade for ferrous metals and a coarse blade for non-ferrous materials. In thin gauge sheet metals it is best to clamp wood to both sides of sheet. This will insure a clean cut without excess vibration or tearing of metal. Always remember not to force cutting blade as this reduces blade life and causes costly blade breakage.

NOTE: It is generally recommended that when cutting metals you should spread a thin film of oil or other coolant along the line ahead of the saw cut for easier operation and longer blade life.

Pocket Cutting (Fig. 7) (Wood Only)

The initial step in pocket cutting is to measure the surface area to be cut and mark clearly with a pencil, chalk or scribe. Insert pocket cutting blade in blade clamp and tighten blade clamp securely. Next, tip the saw backward until the back edge of the shoe is resting on the work surface. Now switch motor on, always permitting blade to attain maximum speed. Grip handle steadily and begin a slow, deliberate upward swing with the handle of the saw. Blade will begin to feed into material. Always be sure blade is completely through material before continuing with pocket cut.

NOTE: In areas where blade visibility is limited, use the edge of the saw shoe as a guide. Lines for any given cut should be extended beyond edge of cut to be made.

MAINTENANCE

Lubrication

Your tool was properly lubricated before leaving the factory. In from two to six months, depending upon use, take or send your tool to a Service Center, or authorized service station, for a complete cleaning, inspection and lubrication. Tools used constantly on production jobs will need relubrication more often. Also, tools "out of service" for long periods should be relubricated before being put back to work.

Accessories

Recommended accessories for use with your tool are available at extra cost from your local service center.

⚠ CAUTION: The use of any non-recommended accessory may be hazardous.

Repairs

To assure product SAFETY and RELIABILITY, repairs, maintenance and adjustment (including brush inspection and replacement) should be performed by authorized service centers or other qualified service organizations, always using identical replacement parts.

SERVICE INFORMATION

DeWALT offers a full network of company-owned and authorized service locations throughout Asia. All DeWALT Service Centers are staffed with trained personnel to provide customers with efficient and reliable service. Whether you need technical advice, repair, or genuine factory replacement parts, contact the DeWALT location nearest to you.

UNWANTED TOOLS AND THE ENVIRONMENT

Should you find one day that the tool needs replacement or is of no further use, think of the protection of the environment. DeWALT recommends you to contact your local council for disposal information.

NOTES

- DeWALT's policy is one of continuous improvement to our products and, we reserve the right to change product specifications without prior notice.
- Standard equipment and accessories may vary by country.
- Product specifications may differ by country.
- Complete product range may not be available in all countries. Contact your local DeWALT dealers for range availability.

四向軍刀鋸

得偉DW304PK型

得偉DW304PK型四向軍刀鋸

得偉DW304PK型四向軍刀鋸

得偉DW304PK型四向軍刀鋸

得偉DW304PK型四向軍刀鋸

得偉DW304PK型四向軍刀鋸

得偉DW304PK型四向軍刀鋸

得偉DW304PK型四向軍刀鋸

得偉DW304PK型四向軍刀鋸

得偉DW304PK型四向軍刀鋸

得偉DW304PK型四向軍刀鋸

得偉DW304PK型四向軍刀鋸

得偉DW304PK型四向軍刀鋸

得偉DW304PK型四向軍刀鋸

得偉DW304PK型四向軍刀鋸

得偉DW304PK型四向軍刀鋸

得偉DW304PK型四向軍刀鋸

得偉DW304PK型四向軍刀鋸

得偉DW304PK型四向軍刀鋸

得偉DW304PK型四向軍刀鋸

得偉DW304PK型四向軍刀鋸

得偉DW304PK型四向軍刀鋸

得偉DW304PK型四向軍刀鋸

得偉DW304PK型四向軍刀鋸

得偉DW304PK型四向軍刀鋸

得偉DW304PK型四向軍刀鋸

得偉DW304PK型四向軍刀鋸

得偉DW304PK型四向軍刀鋸

得偉DW304PK型四向軍刀鋸

得偉DW304PK型四向軍刀鋸

得偉DW304PK型四向軍刀鋸

得偉DW304PK型四向軍刀鋸

得偉DW304PK型四向軍刀鋸

得偉DW304PK型四向軍刀鋸

得偉DW304PK型四向軍刀鋸

得偉DW304PK型四向軍刀鋸

得偉DW304PK型四向軍刀鋸

得偉DW304PK型四向軍刀鋸

得偉DW304PK型四向軍刀鋸

得偉DW304PK型四向軍刀鋸

得偉DW304PK型四向軍刀鋸

得偉DW304PK型四向軍刀鋸

得偉DW304PK型四向軍刀鋸

得偉DW304PK型四向軍刀鋸

得偉DW304PK型四向軍刀鋸

得偉DW304PK型四向軍刀鋸

得偉DW304PK型四向軍刀鋸

得偉DW304PK型四向軍刀鋸

得偉DW304PK型四向軍刀鋸

得偉DW304PK型四向軍刀鋸

得偉DW304PK型四向軍刀鋸

得偉DW304PK型四向軍刀鋸

得偉DW304PK型四向軍刀鋸

得偉DW304PK型四向軍刀鋸

得偉DW304PK型四向軍刀鋸

得偉DW304PK型四向軍刀鋸

得偉DW304PK型四向軍刀鋸

得偉DW304PK型四向軍刀鋸

得偉DW304PK型四向軍刀鋸

得偉DW304PK型四向軍刀鋸

得偉DW304PK型四向軍刀鋸

得偉DW304PK型四向軍刀鋸

得偉DW304PK型四向軍刀鋸

得偉DW304PK型四向軍刀鋸

得偉DW304PK型四向軍刀鋸

得偉DW304PK型四向軍刀鋸

得偉DW304PK型四向軍刀鋸

得偉DW304PK型四向軍刀鋸

得偉DW304PK型四向軍刀鋸

得偉DW304PK型四向軍刀鋸

得偉DW304PK型四向軍刀鋸

得偉DW304PK型四向軍刀鋸

得偉DW304PK型四向軍刀鋸

得偉DW304PK型四向軍刀鋸

得偉DW304PK型四向軍刀鋸

得偉DW304PK型四向軍刀鋸

得偉DW304PK型四向軍刀鋸

得偉DW304PK型四向軍刀鋸

得偉DW304PK型四向軍刀鋸

得偉DW304PK型四向軍刀鋸

得偉DW304PK型四向軍刀鋸

得偉DW304PK型四向軍刀鋸

得偉DW304PK型四向軍刀鋸

得偉DW304PK型四向軍刀鋸

得偉DW304PK型四向軍刀鋸

得偉DW304PK型四向軍刀鋸

得偉DW304PK型四向軍刀鋸

得偉DW304PK型四向軍刀鋸

得偉DW304PK型四向軍刀鋸

得偉DW304PK型四向軍刀鋸

得偉DW304PK型四向軍刀鋸

得偉DW304PK型四向軍刀鋸

得偉DW304PK型四向軍刀鋸

得偉DW304PK型四向軍刀鋸

（CCA）中所含有的砷和鉻。

您接觸這些物質的風險取決於您從事此類工作的頻率。為了降低接觸這些化學物質的風險：保持工作場所通風良好、採用認可的安全防護裝備，例如過濾細微顆粒的專用防塵面具。

• 避免與電動打磨、切割、研磨、鑽孔和其他一些建築活動所產生的灰塵有過長的接觸。穿戴防護服並且用水和肥皂清洗外露表面。如讓灰塵進入您的口、眼或停留在皮膚上可能會促進對有害化學物品的吸收。

警告：使用本工具可產生和/或釋放粉塵。這些粉塵可能導致嚴重的、永久性的呼吸系統損傷或其他傷害。請堅持佩戴經NIOSH/ OSHA批准的、適於粉塵環境的呼吸保護裝備。使粉塵顆粒遠離面部和身體。

得偉DW304PK型四向軍刀鋸

得偉DW304PK型四向軍刀鋸

得偉DW304PK型四向軍刀鋸

得偉DW304PK型四向軍刀鋸

得偉DW304PK型四向軍刀鋸

得偉DW304PK型四向軍刀鋸

得偉DW304PK型四向軍刀鋸

得偉DW304PK型四向軍刀鋸

得偉DW304PK型四向軍刀鋸

得偉DW304PK型四向軍刀鋸

得偉DW304PK型四向軍刀鋸

得偉DW304PK型四向軍刀鋸

得偉DW304PK型四向軍刀鋸

得偉DW304PK型四向軍刀鋸

得偉DW304PK型四向軍刀鋸

得偉DW304PK型四向軍刀鋸

得偉DW304PK型四向軍刀鋸

得偉DW304PK型四向軍刀鋸

得偉DW304PK型四向軍刀鋸

得偉DW304PK型四向軍刀鋸

得偉DW304PK型四向軍刀鋸

得偉DW304PK型四向軍刀鋸

得偉DW304PK型四向軍刀鋸

得偉DW304PK型四向軍刀鋸

得偉DW304PK型四向軍刀鋸

得偉DW304PK型四向軍刀鋸

得偉DW304PK型四向軍刀鋸

得偉DW304PK型四向軍刀鋸

得偉DW304PK型四向軍刀鋸

得偉DW304PK型四向軍刀鋸

得偉DW304PK型四向軍刀鋸

得偉DW304PK型四向軍刀鋸

得偉DW304PK型四向軍刀鋸

得偉DW304PK型四向軍刀鋸

得偉DW304PK型四向軍刀鋸

得偉DW304PK型四向軍刀鋸

得偉DW304PK型四向軍刀鋸

得偉DW304PK型四向軍刀鋸

得偉DW304PK型四向軍刀鋸

得偉DW304PK型四向軍刀鋸

得偉DW304PK型四向軍刀鋸

得偉DW304PK型四向軍刀鋸

得偉DW304PK型四向軍刀鋸

得偉DW304PK型四向軍刀鋸

得偉DW304PK型四向軍刀鋸

得偉DW304PK型四向軍刀鋸

得偉DW304PK型四向軍刀鋸

得偉DW304PK型四向軍刀鋸

得偉DW304PK型四向軍刀鋸

得偉DW304PK型四向軍刀鋸

得偉DW304PK型四向軍刀鋸

得偉DW304PK型四向軍刀鋸

得偉DW304PK型四向軍刀鋸

得偉DW304PK型四向軍刀鋸

得偉DW304PK型四向軍刀鋸

得偉DW304PK型四向軍刀鋸

得偉DW304PK型四向軍刀鋸

得偉DW304PK型四向軍刀鋸

得偉DW304PK型四向軍刀鋸

得偉DW304PK型四向軍刀鋸

得偉DW304PK型四向軍刀鋸

得偉DW304PK型四向軍刀鋸

得偉DW304PK型四向軍刀鋸

得偉DW304PK型四向軍刀鋸

得偉DW304PK型四向軍刀鋸

得偉DW304PK型四向軍刀鋸

得偉DW304PK型四向軍刀鋸

得偉DW304PK型四向軍刀鋸

得偉DW304PK型四向軍刀鋸

得偉DW304PK型四向軍刀鋸

得偉DW304PK型四向軍刀鋸

得偉DW304PK型四向軍刀鋸

得偉DW304PK型四向軍刀鋸

得偉DW304PK型四向軍刀鋸

得偉DW304PK型四向軍刀鋸

得偉DW304PK型四向軍刀鋸

得偉DW304PK型四向軍刀鋸

得偉DW304PK型四向軍刀鋸

得偉DW304PK型四向軍刀鋸

得偉DW304PK型四向軍刀鋸

得偉DW304PK型四向軍刀鋸

得偉DW304PK型四向軍刀鋸

得偉DW304PK型四向軍刀鋸

得偉DW304PK型四向軍刀鋸

得偉DW304PK型四向軍刀鋸

得偉

得偉

得偉

得偉

得偉

得偉

得偉

得偉

得偉

得偉

得偉

得偉

得偉

得偉

得偉

得偉

得偉

得偉

得偉

得偉

得偉

得偉

得偉

得偉

得偉

得偉

得偉

得偉

得偉

得偉

得偉

得偉

得偉

得偉

得偉

得偉

得偉

得偉

得偉

得偉

得偉

得偉

得偉

得偉

得偉

得偉

得偉

得偉

得偉

得偉

得偉

得偉

得偉

得偉

得偉

得偉

得偉

得偉

得偉

得偉

得偉

得偉

得偉

得偉

得偉

得偉

得偉

得偉

得偉

得偉

得偉

得偉

得偉

得偉

得偉

得偉

得偉

得偉

得偉

得偉

得偉

得偉

得偉

得偉

得偉

得偉

得偉

得偉

得偉

得偉

得偉

得偉

得偉

得偉

得偉

得偉

得偉

得偉

得偉

得偉

得偉

得偉

得偉

得偉

得偉

得偉

得偉

得偉

得偉

得偉