
DEWALT®

XR LI-ION

English (*original instructions*)

3

繁体中文

12

한국어

19

Fig. A
圖 A
그림 A

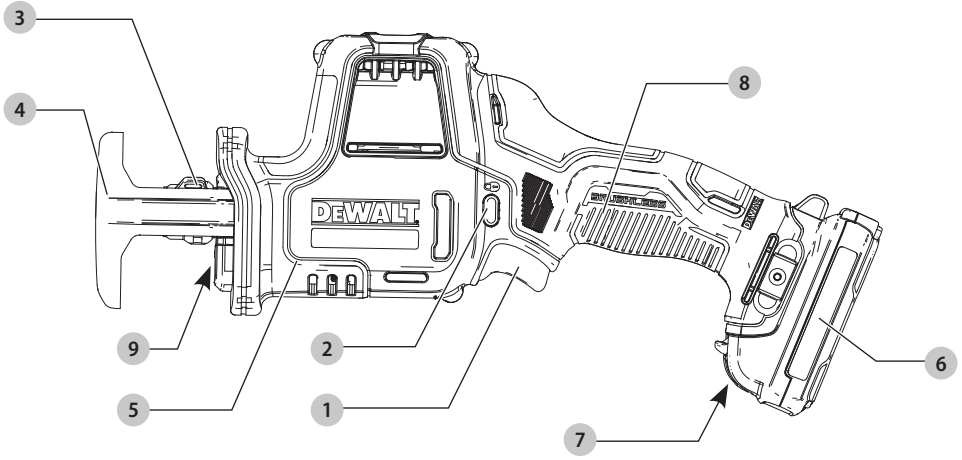


Fig. B
圖 B
그림 B

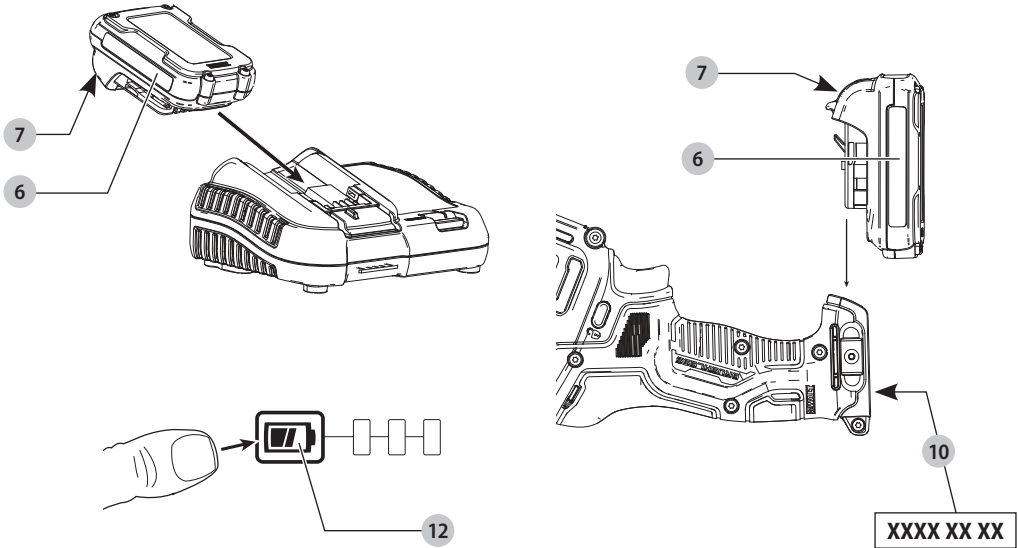


Fig. C
圖 C
그림 C

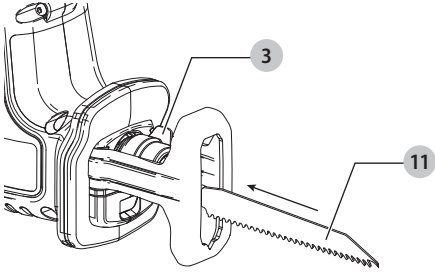


Fig. D
圖 D
그림 D

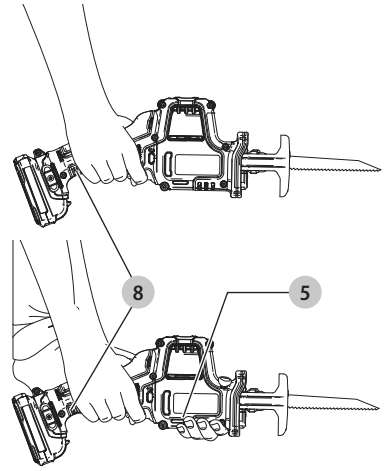


Fig. E
圖 E
그림 E

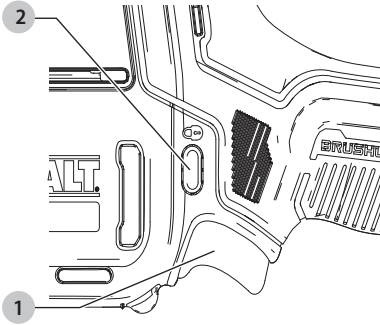


Fig. F
圖 F
그림 F

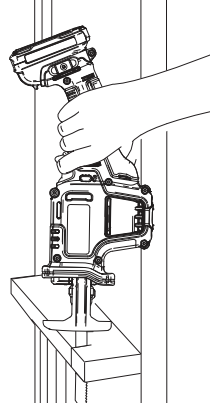


Fig. G
圖 G
그림 G

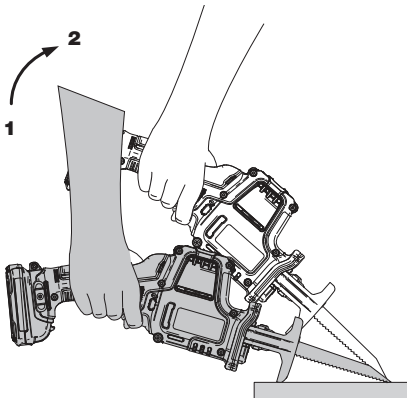
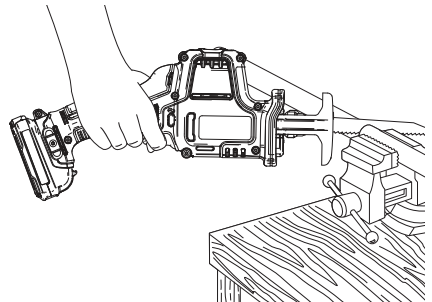


Fig. H
圖 H
그림 H



RECIPROCATING SABRE SAW

DCS312

Congratulations!

You have chosen a DEWALT tool. Years of experience, thorough product development and innovation make DEWALT one of the most reliable partners for professional power tool users.

Technical Data

			DCS312
Voltage	V _{DC}		10.8 (12 Max)
Battery type			Li-Ion
No-load speed	min ⁻¹		0–2800
Stroke length	mm		16
Cutting capacity in wood/metal profiles/plastic tubes	mm		90/40/90
Weight (without battery pack)	kg		1.38



WARNING: To reduce the risk of injury, read the instruction manual.

Definitions: Safety Guidelines

The definitions below describe the level of severity for each signal word. Please read the manual and pay attention to these symbols.



DANGER: Indicates an imminently hazardous situation which, if not avoided, **will** result in **death or serious injury**.



WARNING: Indicates a potentially hazardous situation which, if not avoided, **could** result in **death or serious injury**.



CAUTION: Indicates a potentially hazardous situation which, if not avoided, **may** result in **minor or moderate injury**.

NOTICE: Indicates a practice **not related to personal injury** which, if not avoided, **may** result in **property damage**.



Denotes risk of electric shock.



Denotes risk of fire.

Batteries				Chargers/Charge Times (Minutes)							
Cat #	V _{DC}	Ah	Weight (kg)	DCB104	DCB107	DCB112	DCB113	DCB115	DCB118	DCB132	DCB119
DCB122	10.8 (12 Max)	2.0	0.22	30	90	60	50	30	X	30	60
DCB124	10.8 (12 Max)	3.0	0.25	45	140	90	70	45	X	45	90
DCB125	10.8 (12 Max)	1.3	0.20	22	60	40	30	22	X	22	40
DCB127	10.8 (12 Max)	2.0	0.20	30	90	60	50	30	X	30	60

GENERAL POWER TOOL SAFETY WARNINGS



WARNING: Read all safety warnings, instructions, illustrations and specifications provided with this power tool. Failure to follow all instructions listed below may result in electric shock, fire and/or serious injury.

SAVE ALL WARNINGS AND INSTRUCTIONS FOR FUTURE REFERENCE.

The term "power tool" in the warnings refers to your mains-operated (corded) power tool or battery-operated (cordless) power tool.

1) Work Area Safety

- Keep work area clean and well lit.** Cluttered or dark areas invite accidents.
- Do not operate power tools in explosive atmospheres, such as in the presence of flammable liquids, gases or dust.** Power tools create sparks which may ignite the dust or fumes.
- Keep children and bystanders away while operating a power tool.** Distractions can cause you to lose control.

2) Electrical Safety

- Power tool plugs must match the outlet. Never modify the plug in any way. Do not use any adapter plugs with earthed (grounded) power tools.** Unmodified plugs and matching outlets will reduce risk of electric shock.
- Avoid body contact with earthed or grounded surfaces, such as pipes, radiators, ranges and refrigerators.** There is an increased risk of electric shock if your body is earthed or grounded.
- Do not expose power tools to rain or wet conditions.** Water entering a power tool will increase the risk of electric shock.
- Do not abuse the cord. Never use the cord for carrying, pulling or unplugging the power tool. Keep cord away from heat, oil, sharp edges or moving parts.** Damaged or entangled cords increase the risk of electric shock.
- When operating a power tool outdoors, use an extension cord suitable for outdoor use.** Use of a cord suitable for outdoor use reduces the risk of electric shock.

- f) **If operating a power tool in a damp location is unavoidable, use a residual current device (RCD) protected supply.** Use of an RCD reduces the risk of electric shock.

3) Personal Safety

- a) **Stay alert, watch what you are doing and use common sense when operating a power tool. Do not use a power tool while you are tired or under the influence of drugs, alcohol or medication.** A moment of inattention while operating power tools may result in serious personal injury.
- b) **Use personal protective equipment. Always wear eye protection.** Protective equipment such as a dust mask, non-skid safety shoes, hard hat or hearing protection used for appropriate conditions will reduce personal injuries.
- c) **Prevent unintentional starting. Ensure the switch is in the off-position before connecting to power source and/or battery pack, picking up or carrying the tool.** Carrying power tools with your finger on the switch or energising power tools that have the switch on invites accidents.
- d) **Remove any adjusting key or wrench before turning the power tool on.** A wrench or a key left attached to a rotating part of the power tool may result in personal injury.
- e) **Do not overreach. Keep proper footing and balance at all times.** This enables better control of the power tool in unexpected situations.
- f) **Dress properly. Do not wear loose clothing or jewellery. Keep your hair and clothing away from moving parts.** Loose clothes, jewellery or long hair can be caught in moving parts.
- g) **If devices are provided for the connection of dust extraction and collection facilities, ensure these are connected and properly used.** Use of dust collection can reduce dust-related hazards.
- h) **Do not let familiarity gained from frequent use of tools allow you to become complacent and ignore tool safety principles.** A careless action can cause severe injury within a fraction of a second.

4) Power Tool Use and Care

- a) **Do not force the power tool. Use the correct power tool for your application.** The correct power tool will do the job better and safer at the rate for which it was designed.
- b) **Do not use the power tool if the switch does not turn it on and off.** Any power tool that cannot be controlled with the switch is dangerous and must be repaired.
- c) **Disconnect the plug from the power source and/or remove the battery pack, if detachable, from the power tool before making any adjustments, changing accessories, or storing power tools.** Such preventive safety measures reduce the risk of starting the power tool accidentally.
- d) **Store idle power tools out of the reach of children and do not allow persons unfamiliar with the power**

tool or these instructions to operate the power tool. Power tools are dangerous in the hands of untrained users.

- e) **Maintain power tools and accessories. Check for misalignment or binding of moving parts, breakage of parts and any other condition that may affect the power tool's operation. If damaged, have the power tool repaired before use.** Many accidents are caused by poorly maintained power tools.
- f) **Keep cutting tools sharp and clean.** Properly maintained cutting tools with sharp cutting edges are less likely to bind and are easier to control.
- g) **Use the power tool, accessories and tool bits etc. in accordance with these instructions, taking into account the working conditions and the work to be performed.** Use of the power tool for operations different from those intended could result in a hazardous situation.
- h) **Keep handles and grasping surfaces dry, clean and free from oil and grease.** Slippery handles and grasping surfaces do not allow for safe handling and control of the tool in unexpected situations.

5) Battery Tool Use and Care

- a) **Recharge only with the charger specified by the manufacturer.** A charger that is suitable for one type of battery pack may create a risk of fire when used with another battery pack.
- b) **Use power tools only with specifically designated battery packs.** Use of any other battery packs may create a risk of injury and fire.
- c) **When battery pack is not in use, keep it away from other metal objects, like paper clips, coins, keys, nails, screws or other small metal objects, that can make a connection from one terminal to another.** Shorting the battery terminals together may cause burns or a fire.
- d) **Under abusive conditions, liquid may be ejected from the battery; avoid contact. If contact accidentally occurs, flush with water. If liquid contacts eyes, additionally seek medical help.** Liquid ejected from the battery may cause irritation or burns.
- e) **Do not use a battery pack or tool that is damaged or modified.** Damaged or modified batteries may exhibit unpredictable behaviour resulting in fire, explosion or risk of injury.
- f) **Do not expose a battery pack or tool to fire or excessive temperature.** Exposure to fire or temperature above 130 °C may cause explosion.
- g) **Follow all charging instructions and do not charge the battery pack or tool outside the temperature range specified in the instructions.** Charging improperly or at temperatures outside the specified range may damage the battery and increase the risk of fire.

6) Service

- a) **Have your power tool serviced by a qualified repair person using only identical replacement parts.** This will ensure that the safety of the power tool is maintained.

- b) **Never service damaged battery packs.** Service of battery packs should only be performed by the manufacturer or authorized service providers.

Additional Safety Instructions for Reciprocating Saws

- **Hold power tool by insulated gripping surfaces when performing an operation where the cutting accessory may contact hidden wiring.** Cutting accessory contacting a "live" wire will make exposed metal parts of the power tool "live" and could give the operator an electric shock.
- **Use clamps or another practical way to secure and support the workpiece to a stable platform.** Holding the work by hand or against your body leaves it unstable and may lead to loss of control.
- **ALWAYS wear a dust mask.** Exposure to dust particles can cause breathing difficulty and possible injury.
- **Never switch on the tool when the saw blade is jammed in the workpiece or in contact with the material.**
- **Keep hands away from moving parts.** Never place your hands near the cutting area.
- **Use extra caution when cutting overhead and pay particular attention to overhead wires which may be hidden from view.** Anticipate the path of falling branches and debris ahead of time.
- **Do not operate this tool for long periods of time.** Vibration caused by the operating action of this tool may cause permanent injury to fingers, hands, and arms. Use gloves to provide extra cushion, take frequent rest periods, and limit daily time of use.

Switching On and Off

- After switching off, never attempt to stop the saw blade with your fingers.
- Never put the saw down on a table or work bench unless switched off. The saw blade will keep running briefly after the tool has been switched off.

When Sawing

- When using saw blades specially designed for cutting wood remove all nails and metal objects from the workpiece before starting work.
- Wherever possible, use clamps and vices to fasten the workpiece securely.
- Do not attempt to saw extremely small workpieces.
- Do not bend too far forward. Make sure that you always stand firmly, particularly on scaffolding and ladders.
- Always hold the saw with both hands.
- For cutting curves and pockets, use an adapted saw blade.

Checking and Changing the Saw Blade

- Only use saw blades conforming to the specifications contained in these operating instructions.
- Only sharp saw blades in perfect working condition should be used; cracked or bent saw blades should be discarded and replaced at once.

- Ensure that the saw blade is securely fixed.

Residual Risks

In spite of the application of the relevant safety regulations and the implementation of safety devices, certain residual risks cannot be avoided. These are:

- Impairment of hearing.
- Risk of personal injury due to flying particles.
- Risk of burns due to accessories becoming hot during operation.
- Risk of personal injury due to prolonged use.

SAVE THESE INSTRUCTIONS CHARGERS

DEWALT chargers require no adjustment and are designed to be as easy as possible to operate.

Electrical Safety

The electric motor has been designed for one voltage only. Always check that the battery pack voltage corresponds to the voltage on the rating plate. Also make sure that the voltage of your charger corresponds to that of your mains.



Your DEWALT charger is double insulated in accordance with IEC60335; therefore no earth wire is required.

If the supply cord is damaged, it must be replaced by a specially prepared cord available through the DEWALT service organisation.

Using an Extension Cable

An extension cord should not be used unless absolutely necessary. Use an approved extension cable suitable for the power input of your charger (see **Technical Data**). The minimum conductor size is 1 mm²; the maximum length is 30 m.

When using a cable reel, always unwind the cable completely.

Important Safety Instructions for All Battery Chargers

SAVE THESE INSTRUCTIONS: This manual contains important safety and operating instructions for compatible battery chargers (refer to **Technical Data**).

- Before using charger, read all instructions and cautionary markings on charger, battery pack, and product using battery pack.



WARNING: Shock hazard. Do not allow any liquid to get inside charger. Electric shock may result.



WARNING: We recommend the use of a residual current device with a residual current rating of 30mA or less.



CAUTION: Burn hazard. To reduce the risk of injury, charge only DEWALT rechargeable batteries. Other types of batteries may burst causing personal injury and damage.



CAUTION: Children should be supervised to ensure that they do not play with the appliance.

NOTICE: Under certain conditions, with the charger plugged into the power supply, the exposed charging contacts inside the charger can be shorted by foreign material. Foreign materials of a conductive nature such as,

but not limited to, steel wool, aluminum foil or any buildup of metallic particles should be kept away from charger cavities. Always unplug the charger from the power supply when there is no battery pack in the cavity. Unplug charger before attempting to clean

- **DO NOT attempt to charge the battery pack with any chargers other than the ones in this manual.** The charger and battery pack are specifically designed to work together.
- **These chargers are not intended for any uses other than charging DEWALT rechargeable batteries.** Any other uses may result in risk of fire, electric shock or electrocution.
- **Do not expose charger to rain or snow.**
- **Pull by plug rather than cord when disconnecting charger.** This will reduce risk of damage to electric plug and cord.
- **Make sure that cord is located so that it will not be stepped on, tripped over, or otherwise subjected to damage or stress.**
- **Do not use an extension cord unless it is absolutely necessary.** Use of improper extension cord could result in risk of fire, electric shock, or electrocution.
- **Do not place any object on top of charger or place the charger on a soft surface that might block the ventilation slots and result in excessive internal heat.** Place the charger in a position away from any heat source. The charger is ventilated through slots in the top and the bottom of the housing.
- **Do not operate charger with damaged cord or plug—** have them replaced immediately.
- **Do not operate charger if it has received a sharp blow, been dropped, or otherwise damaged in any way.** Take it to an authorised service centre.
- **Do not disassemble charger; take it to an authorised service centre when service or repair is required.** Incorrect reassembly may result in a risk of electric shock, electrocution or fire.
- **In case of damaged power supply cord the supply cord must be replaced immediately by the manufacturer, its service agent or similar qualified person to prevent any hazard.**
- **Disconnect the charger from the outlet before attempting any cleaning. This will reduce the risk of electric shock.** Removing the battery pack will not reduce this risk.
- **NEVER attempt to connect two chargers together.**
- **The charger is designed to operate on standard 230V household electrical power. Do not attempt to use it on any other voltage.** This does not apply to the vehicular charger.

Charging a Battery (Fig. B)

1. Plug the charger into an appropriate outlet before inserting battery pack.
2. Insert the battery pack **6** into the charger, making sure the battery pack is fully seated in the charger. The red (charging) light will blink repeatedly indicating that the charging process has started.

3. The completion of charge will be indicated by the red light remaining ON continuously. The battery pack is fully charged and may be used at this time or left in the charger. To remove the battery pack from the charger, push the battery release button **7** on the battery pack.

NOTE: To ensure maximum performance and life of lithium-ion battery packs, charge the battery pack fully before first use.

Charger Operation

Refer to the indicators below for the charge status of the battery pack.

Charge Indicators	
	Charging  
	Fully Charged  
	Hot/Cold Pack Delay*  

*The red light will continue to blink, but a yellow indicator light will be illuminated during this operation. Once the battery pack has reached an appropriate temperature, the yellow light will turn off and the charger will resume the charging procedure. The compatible charger(s) will not charge a faulty battery pack. The charger will indicate faulty battery by refusing to light.

NOTE: This could also mean a problem with a charger.

If the charger indicates a problem, take the charger and battery pack to be tested at an authorised service centre.

Hot/Cold Pack Delay

When the charger detects a battery pack that is too hot or too cold, it automatically starts a Hot/Cold Pack Delay, suspending charging until the battery pack has reached an appropriate temperature. The charger then automatically switches to the pack charging mode. This feature ensures maximum battery pack life.

A cold battery pack will charge at a slower rate than a warm battery pack. The battery pack will charge at that slower rate throughout the entire charging cycle and will not return to maximum charge rate even if the battery pack warms.

Electronic Protection System

XR Li-Ion tools are designed with an Electronic Protection System that will protect the battery pack against overloading, overheating or deep discharge.

The tool will automatically turn off if the Electronic Protection System engages. If this occurs, place the lithium-ion battery pack on the charger until it is fully charged.

Wall Mounting

These chargers are designed to be wall mountable or to sit upright on a table or work surface. If wall mounting, locate the charger within reach of an electrical outlet, and away from a corner or other obstructions which may impede air flow. Use the back of the charger as a template for the location of the mounting screws on the wall. Mount the charger securely using drywall screws (purchased separately) at least 25.4 mm long with a screw head diameter of 7–9 mm, screwed into wood to an optimal depth leaving approximately 5.5 mm of the screw

exposed. Align the slots on the back of the charger with the exposed screws and fully engage them in the slots.

Charger Cleaning Instructions



WARNING: Shock hazard. Disconnect the charger from the AC outlet before cleaning. Dirt and grease may be removed from the exterior of the charger using a cloth or soft non-metallic brush. Do not use water or any cleaning solutions. Never let any liquid get inside the tool; never immerse any part of the tool into a liquid.

Battery Packs

Important Safety Instructions for All Battery Packs

When ordering replacement battery packs, be sure to include catalogue number and voltage.

The battery pack is not fully charged out of the carton. Before using the battery pack and charger, read the safety instructions below. Then follow charging procedures outlined.

READ ALL INSTRUCTIONS

- **Do not charge or use battery in explosive atmospheres, such as in the presence of flammable liquids, gases or dust.** Inserting or removing the battery from the charger may ignite the dust or fumes.
- **Never force battery pack into charger. Do not modify battery pack in any way to fit into a non-compatible charger as battery pack may rupture causing serious personal injury.**
- Charge the battery packs only in DEWALT chargers.
- **DO NOT splash or immerse in water or other liquids.**
- **Do not store or use the tool and battery pack in locations where the temperature may reach or exceed 40 °C (104 °F) (such as outside sheds or metal buildings in summer).**
- **Do not incinerate the battery pack even if it is severely damaged or is completely worn out.** The battery pack can explode in a fire. Toxic fumes and materials are created when lithium-ion battery packs are burned.
- **If battery contents come into contact with the skin, immediately wash area with mild soap and water.** If battery liquid gets into the eye, rinse water over the open eye for 15 minutes or until irritation ceases. If medical attention is needed, the battery electrolyte is composed of a mixture of liquid organic carbonates and lithium salts.
- **Contents of opened battery cells may cause respiratory irritation.** Provide fresh air. If symptoms persists, seek medical attention.



WARNING: Burn hazard. Battery liquid may be flammable if exposed to spark or flame.



WARNING: Never attempt to open the battery pack for any reason. If battery pack case is cracked or damaged, do not insert into charger. Do not crush, drop or damage battery pack. Do not use a battery pack or charger that has received a sharp blow, been dropped, run over or damaged in any way (i.e., pierced with a nail, hit with

a hammer, stepped on). Electric shock or electrocution may result. Damaged battery packs should be returned to service centre for recycling.



WARNING: Fire hazard. Do not store or carry the battery pack so that metal objects can contact exposed battery terminals. For example, do not place the battery pack in aprons, pockets, tool boxes, product kit boxes, drawers, etc., with loose nails, screws, keys, etc.



CAUTION: When not in use, place tool on its side on a stable surface where it will not cause a tripping or falling hazard. Some tools with large battery packs will stand upright on the battery pack but may be easily knocked over.

Transportation



WARNING: Fire hazard. Transporting batteries can possibly cause fire if the battery terminals inadvertently come in contact with conductive materials. When transporting batteries, make sure that the battery terminals are protected and well insulated from materials that could contact them and cause a short circuit. **NOTE:** Lithium-ion batteries should not be put in checked baggage.

DEWALT batteries comply with all applicable shipping regulations as prescribed by industry and legal standards which include UN Recommendations on the Transport of Dangerous Goods; International Air Transport Association (IATA) Dangerous Goods Regulations, International Maritime Dangerous Goods (IMDG) Regulations, and the European Agreement Concerning The International Carriage of Dangerous Goods by Road (ADR). Lithium-ion cells and batteries have been tested to section 38.3 of the UN Recommendations on the Transport of Dangerous Goods Manual of Tests and Criteria.

In most instances, shipping a DEWALT battery pack will be excepted from being classified as a fully regulated Class 9 Hazardous Material. In general, only shipments containing a lithium-ion battery with an energy rating greater than 100 Watt Hours (Wh) will require being shipped as fully regulated Class 9. All lithium-ion batteries have the Watt Hour rating marked on the pack. Furthermore, due to regulation complexities, DEWALT does not recommend air shipping lithium-ion battery packs alone regardless of Watt Hour rating. Shipments of tools with batteries (combo kits) can be air shipped as excepted if the Watt Hour rating of the battery pack is no greater than 100 Whr. Regardless of whether a shipment is considered excepted or fully regulated, it is the shipper's responsibility to consult the latest regulations for packaging, labeling/marketing and documentation requirements.

The information provided in this section of the manual is provided in good faith and believed to be accurate at the time the document was created. However, no warranty, expressed or implied, is given. It is the buyer's responsibility to ensure that its activities comply with the applicable regulations.

Storage Recommendations

1. The best storage place is one that is cool and dry away from direct sunlight and excess heat or cold. For optimum

battery performance and life, store battery packs at room temperature when not in use.

- For long storage, it is recommended to store a fully charged battery pack in a cool, dry place out of the charger for optimal results.

NOTE: Battery packs should not be stored completely depleted of charge. The battery pack will need to be recharged before use.

Labels on Charger and Battery Pack

In addition to the pictographs used in this manual, the labels on the charger and the battery pack may show the following pictographs:



Read instruction manual before use.



See **Technical Data** for charging time.



Do not probe with conductive objects.



Do not charge damaged battery packs.



Do not expose to water.



Have defective cords replaced immediately.



Charge only between 4 °C and 40 °C.



Only for indoor use.



Discard the battery pack with due care for the environment.



Charge DEWALT battery packs only with designated DEWALT chargers. Charging battery packs other than the designated DEWALT batteries with a DEWALT charger may make them burst or lead to other dangerous situations.



Do not incinerate the battery pack.

Battery Type

The DCS312 operates on a 10.8 volt (12V Max) battery pack. These battery packs may be used: DCB122, DCB124, DCB125, DCB127. Refer to **Technical Data** for more information.

Package Contents

The package contains:

- Cordless reciprocating saw
- Kitbox (C, D, L, M, P, S, T, X, Y, NT models)

- Charger (C, D, L, M, P, S, T, X, Y models)
- Li-Ion battery pack (C1, D1, L1, M1, P1, S1, T1, X1, Y1 models)
- Li-Ion battery packs (C2, D2, L2, M2, P2, S2, T2, X2, Y2 models)
- Li-Ion battery packs (C3, D3, L3, M3, P3, S3, T3, X3, Y3 models)
- Instruction manual

NOTE: Battery packs, chargers and kitboxes are not included with N models. Battery packs and chargers are not included with NT models. B models include Bluetooth® battery packs.

NOTE: The Bluetooth® word mark and logos are registered trademarks owned by the Bluetooth®, SIG, Inc. and any use of such marks by DEWALT is under license. Other trademarks and trade names are those of their respective owners.

- Check for damage to the tool, parts or accessories which may have occurred during transport.
- Take the time to thoroughly read and understand this manual prior to operation.

Markings on Tool

The following pictographs are shown on the tool:



Read instruction manual before use.



Wear ear protection.



Wear eye protection.



Visible radiation. Do not stare into light.

Date Code Position (Fig. B)

The date code **10**, which also includes the year of manufacture, is printed into the housing.

Example:

2020 XX XX

Year of Manufacture

Description (Fig. A, B)



WARNING: Never modify the power tool or any part of it. Damage or personal injury could result.

- Variable speed trigger switch
- Lock-off button
- Blade clamp
- Shoe
- Hand grip
- Battery pack
- Battery release button
- Main handle
- Worklight
- Datecode

Intended Use

Your DCS312 cordless reciprocating sabre saw has been designed for professional sawing of wood, metal and tubes. The

compact design permits cutting extremely close to the edge of difficult areas.


DO NOT use under wet conditions or in the presence of flammable liquids or gases.

This reciprocating saw is a professional power tool.

DO NOT let children come into contact with the tool. Supervision is required when inexperienced operators use this tool.

- **Young children and the infirm.** This appliance is not intended for use by young children or infirm persons without supervision.
- This product is not intended for use by persons (including children) suffering from diminished physical, sensory or mental abilities; lack of experience, knowledge or skills unless they are supervised by a person responsible for their safety. Children should never be left alone with this product.

ASSEMBLY AND ADJUSTMENTS

 **WARNING:** To reduce the risk of serious personal injury, turn tool off and disconnect battery pack before making any adjustments or removing/installing attachments or accessories. An accidental start-up can cause injury.

 **WARNING:** Use only DEWALT battery packs and chargers.

Inserting and Removing the Battery Pack from the Tool (Fig. B)

NOTE: Make sure your battery pack **6** is fully charged.

To Install the Battery Pack into the Tool Handle

1. Align the battery pack **6** with the rails inside the tool's handle (Fig. B).
2. Slide it into the handle until the battery pack is firmly seated in the tool and ensure that you hear the lock snap into place.

To Remove the Battery Pack from the Tool

1. Press the release button **7** and firmly pull the battery pack out of the tool handle.
2. Insert battery pack into the charger as described in the charger section of this manual.

Fuel Gauge Battery Packs (Fig. B)

Some DEWALT battery packs include a fuel gauge which consists of three green LED lights that indicate the level of charge remaining in the battery pack.

To actuate the fuel gauge, press and hold the fuel gauge button **12**. A combination of the three green LED lights will illuminate designating the level of charge left. When the level of charge in the battery is below the usable limit, the fuel gauge will not illuminate and the battery will need to be recharged.

NOTE: The fuel gauge is only an indication of the charge left on the battery pack. It does not indicate tool functionality and is subject to variation based on product components, temperature and end-user application.


Variable Speed Trigger Switch (Fig. E)

Lock-off Button and Trigger switch


Your saw is equipped with a lock-off button **2**.

To lock the trigger switch, press the lock-off button on the left. Always lock the trigger switch **1** when carrying or storing the tool to eliminate unintentional starting.

To unlock the trigger switch, press the lock-off button on the right. Pull the trigger switch to turn the motor ON. Releasing the trigger switch turns the motor OFF.

 **WARNING:** This tool has no provision to lock the switch in the ON position, and should never be locked ON by any other means.

The variable speed trigger switch will give you added versatility. The further the trigger is depressed the higher the speed of the saw.

 **CAUTION:** Use of very slow speed is recommended only for beginning a cut. Prolonged use at very slow speed may damage your saw.

Worklight (Fig. A)


There is a worklight **9** located on the end of the tool near the shoe. The worklight is activated when the trigger switch is depressed. When the trigger is released, the worklight will stay illuminated for up to 20 seconds.

NOTE: The worklight is for lighting the immediate work surface and is not intended to be used as a flashlight.

Blade Installation and Removal (Fig. C, F)

 **WARNING:** Remove battery before installing / Removing a blade.

Different blade lengths are available. Use the appropriate blade for the application. The blade should be longer than 90 mm and should extend past the shoe and the thickness of the workpiece during the cut. Do not use jigsaw blades with this tool.


 **WARNING:** Cut hazard. Blade breakage may occur if the blade does not extend past the shoe and the workpiece during the cut. Increased risk of personal injury, as well as damage to the shoe and workpiece may result.

To Install Blade into Saw

1. Twist open the blade clamp **3** to its full open position.
2. Insert blade **11** fully into blade clamp.
3. Release blade clamp. Gently tug on the blade to ensure blade is clamped securely.

NOTE: The blade can be installed upside-down for flush cutting. Refer to Figure F.

To Remove Blade from Saw

 **CAUTION:** Burn hazard. Do not touch the blade immediately after use. Contact with the blade may result in personal injury.

1. Twist open blade clamp **3** to its full open position.
2. Remove blade **11**.

OPERATION

Instructions for Use



WARNING: Always observe the safety instructions and applicable regulations.



WARNING: To reduce the risk of serious personal injury, turn tool off and disconnect battery pack before making any adjustments or removing/installing attachments or accessories. An accidental start-up can cause injury.

Proper Hand Position (Fig. D)



WARNING: To reduce the risk of serious personal injury, ALWAYS use proper hand position as shown.



WARNING: To reduce the risk of serious personal injury, ALWAYS hold saw securely in anticipation of a sudden reaction.

Proper hand position requires one hand on the main handle **8**, or one hand on the main handle and one hand on the hand grip **5**.

Cutting (Fig. D, F–H)



WARNING: Always use eye protection. All users and bystanders must wear approved eye protection.



WARNING: Exercise extra caution when cutting towards operator. Always hold saw firmly with both hands while cutting.

Before cutting any type of material, be sure it is firmly anchored or clamped to prevent slipping. Place blade lightly against work to be cut, switch on saw motor and allow it to obtain maximum speed before applying pressure. Whenever possible, the saw shoe must be held firmly against the material being cut. This will prevent the saw from jumping or vibrating and minimise blade breakage. Any cuts that put pressure on the blade such as angle or scroll cuts increase potential for vibration, kickback, and blade breakage.



WARNING: Use extra caution when cutting overhead and pay particular attention to overhead wires that may be hidden from view. Anticipate the path of falling branches and debris ahead of time.



WARNING: Inspect work site for hidden gas pipes, water pipes, or electrical wires before making blind or plunge cuts. Failure to do so may result in explosion, property damage, electric shock, and/or serious personal injury.

Flush-To Cutting (Fig. F)

The compact design of the saw motor housing and spindle housing permits extremely close cutting to floors, corners and other difficult areas.

Pocket/plunge Cutting – Wood Only (Fig. D, G)

The initial step in pocket cutting is to measure the surface area to be cut and mark clearly with a pencil, chalk or scribe. Use the appropriate blade for the application. The blade should be longer than 90 mm and should extend past the shoe and the thickness of the workpiece during the cut. Insert blade in blade clamp.

Next, tip the saw backward until the back edge of the shoe is resting on the work surface and the blade clears the work surface (position 1, Fig. G). Now switch motor on, and allow saw to come up to speed. Grip saw as shown in Figure D and begin a slow, deliberate upward swing with the handle of the saw, keeping the bottom of the shoe firmly in contact with the workpiece (position 2, Fig. G). Blade will begin to feed into material. Always be sure blade is completely through material before continuing with pocket cut.

NOTE: In areas where blade visibility is limited, use the edge of the saw shoe as a guide. Lines for any given cut should be extended beyond edge of cut to be made.

Metal Cutting (Fig. H)

Your saw has different metal cutting capacities depending upon type of blade used and the metal to be cut. Use a finer blade for ferrous metals and a coarse blade for non-ferrous materials. In thin gauge sheet metals it is best to clamp wood to both sides of sheet. This will ensure a clean cut without excess vibration or tearing of metal. Always remember not to force cutting blade as this reduces blade life and causes costly blade breakage.

NOTE: It is generally recommended that when cutting metals you should spread a thin film of oil or other lubricant along the line ahead of the saw cut for easier operation and longer blade life.

MAINTENANCE

Your power tool has been designed to operate over a long period of time with a minimum of maintenance. Continuous satisfactory operation depends upon proper tool care and regular cleaning.



WARNING: To reduce the risk of serious personal injury, turn tool off and disconnect battery pack before making any adjustments or removing/installing attachments or accessories. An accidental start-up can cause injury.

The charger and battery pack are not serviceable.



Lubrication

Your power tool requires no additional lubrication.



Cleaning



WARNING: Blow dirt and dust out of the main housing with dry air as often as dirt is seen collecting in and around the air vents. Wear approved eye protection and approved dust mask when performing this procedure.



WARNING: Never use solvents or other harsh chemicals for cleaning the non-metallic parts of the tool. These chemicals may weaken the materials used in these parts. Use a cloth dampened only with water and mild soap. Never let any liquid get inside the tool; never immerse any part of the tool into a liquid.

Optional Accessories



WARNING: *Since accessories, other than those offered by DeWALT, have not been tested with this product, use of such accessories with this tool could be hazardous. To reduce the risk of injury, only DeWALT recommended accessories should be used with this product.*

Consult your dealer for further information on the appropriate accessories.

Protecting the Environment



Separate collection. Products and batteries marked with this symbol must not be disposed of with normal household waste.

Products and batteries contain materials that can be recovered or recycled reducing the demand for raw materials. Please recycle electrical products and batteries according to local provisions. Further information is available at www.2helpU.com.

Rechargeable Battery Pack

This long life battery pack must be recharged when it fails to produce sufficient power on jobs which were easily done before. At the end of its technical life, discard it with due care for our environment:

- Run the battery pack down completely, then remove it from the tool.
- Li-Ion cells are recyclable. Take them to your dealer or a local recycling station. The collected battery packs will be recycled or disposed of properly.

無碳刷軍刀鋸

DCS312

恭喜！

感謝您選購 DeWALT 工具。憑藉多年的經驗、完善的產品開發與創新，DeWALT 已成為專業電動工具使用者最可靠的合作伙伴之一。

請注意！各地區上市產品/配件不盡相同，請依台灣繁體中文說明書的內容為主。

注意：12V Max 為最大初始電池電壓（無負載測量），標稱電壓為 10.8V。

技術資料

DCS312		
電壓	V _{oc}	10.8 (12 Max)
電池類型		鋰離子
無負荷轉速	min ⁻¹	0-2800
衝程長度	mm	16
在木材/金屬/型材/塑膠管上的切割能力	mm	90/40/90
重量(不包括電池)	kg	1.38



警告：為了降低受傷的風險，必須仔細閱讀使用手冊。

定義：安全指南

以下定義描述了每一個詞彙的嚴重程度。請閱讀本手冊並注意這些符號。



危險：表示緊急危險狀況，若未能避免，將導致**死亡或嚴重傷害**。



警告：表示潛在危險情況，若未能避免，可能導致**死亡或嚴重傷害**。



小心：表示潛在危險情況，若未能避免，可能導致**輕微或中度傷害**。

注意：表示一種非人身傷害的行為，若未能避免，可能導致**財產損失**。



表示**觸電危險**。



表示**火災危險**。

電池				充電器/充電時間（分鐘）							
目錄號	伏特 直流	安時	重量 (kg)	DCB104	DCB107	DCB112	DCB113	DCB115	DCB118	DCB132	DCB119
DCB122	10.8 (12 Max)	2.0	0.22	30	90	60	50	30	X	30	60
DCB124	10.8 (12 Max)	3.0	0.25	45	140	90	70	45	45	45	90
DCB125	10.8 (12 Max)	1.3	0.20	22	60	40	30	22	X	22	40
DCB127	10.8 (12 Max)	2.0	0.20	30	90	60	50	30	X	30	60

電動工具一般安全警告



警告！請閱讀安全警告及所有指示。不遵循下列的這些警告和指示可能會導致觸電、火災及/或嚴重傷害。

請保存所有警告與指示以備將來查閱。

以下列示所有警告中的術語「電動工具」是指電源驅動（插電）電動工具或電池驅動（充電）電動工具。

1) 工作場地安全

- 請保持工作場地清潔明亮。混亂或黑暗的場地會引發事故。
- 請勿在易爆環境，如有易燃液體、氣體或粉塵的環境中操作電動工具。電動工具產生的火花可能會引燃粉塵或煙霧。
- 請等待兒童和旁觀者離開之後才操縱電動工具。分心會導致您疏於控制。

2) 電氣安全

- 電動工具插頭必須與插座相符。切勿以任何方式改裝插頭。需接地的電動工具不能使用任何配接器插頭。使用未經改裝的插頭與相符的插座可降低觸電風險。
- 避免人體接觸接地表面，如管道、散熱片、爐灶和冰箱。若您的身體接地，會提高觸電的風險。
- 不得將電動工具暴露雨中或潮濕環境中。水進入電動工具會提高觸電風險。

- 切勿濫用電線。請勿使用電線來搬運、拉動電動工具或拔出插頭。讓電線遠離熱、油、銳邊和活動部件。受損或纏繞的電線會增加觸電危險。
- 若要在戶外使用電動工具，請使用適合戶外使用的延長電線。採用適合室外使用的電線可降低觸電危險。
- 若必須在潮濕環境中操作電動工具，請使用受漏電保護器（RCD）保護的電源供應器。使用RCD可降低觸電風險。

3) 人身安全

- 保持警覺；在操作電動工具時，請留意所執行的操作並按照一般的程式執行。請勿在疲倦或在受到毒品、酒精或藥品的影響時使用電動工具。操作電動工具時，一時的注意力分散可能會導致嚴重人身傷害。
- 使用個人防護裝置。始終佩戴防護目鏡。防護設備（例如在適當條件下使用的防護面具、防滑安全鞋、安全帽或聽力保護裝置）可減少人身傷害。
- 避免意外啟動。連接電源及/或電池組、舉抬或搬運電動工具之前，請確定開關處於關閉位置。若搬運電動工具時將手指放在開關上，或者在電動工具開關開啟時將插頭插入電源插座，這兩種行為都會引發事故。
- 啟動電動工具之前，請卸下所有的調整鑰匙或扳手。遺留在電動工具旋轉部件上的扳手或鑰匙會導致人身傷害。
- 不要過度伸張雙手。時刻注意腳下與身體的平衡。如此可在意外情況下更好地控制電動工具。

- f) 適當穿著。請勿穿寬鬆衣服或佩戴飾品。讓您的頭髮、衣服和手套遠離活動部件。寬鬆衣服、佩飾或長髮可能會捲入活動部件中。
- g) 若配備用於連接排屑裝置、集塵設備的裝置，請確定正確連接和使用這些裝置。使用集塵設備可減少與粉塵有關的危險。
- h) 請勿因頻繁使用而對工具特別熟悉，讓你變得自滿而忽略工具的安全原則。粗心操作可以在片刻間造成嚴重傷害。

4) 電動工具的使用與注意事項

- a) 請勿超負荷使用電動工具。請根據您的應用使用正確的電動工具。若使用的電動工具正確無誤，該工具能以設計額定值更有效、更安全地執行工作。
- b) 若開關不能開啟或關閉電源，切勿使用該電動工具。若開關無法控制電動工具，則電動工具存在危險，必須予以維修。
- c) 在執行任何調整、更換配件或儲存工具之前，必須從電源上拔掉插頭及/或卸下電池組。此類防護性安全措施可降低電動工具意外啟動的風險。
- d) 將開置的電動工具儲存在兒童無法接觸的地方，並且不要讓不熟悉電動工具或對這些使用指示不瞭解的人員操作電動工具。未經訓練的使用者操作電動工具會發生危險。
- e) 維護電動工具。檢查活動部件是否對準或卡住。是否存在任何破損情況，或任何能影響電動工具運行的其他情況。若有損毀，必須在使用之前修理電動工具。許多事故都是由於電動工具欠缺維護所導致。
- f) 保持切削工具鋒利和清潔。妥善維護、刀刃鋒利的刀具卡住的可能性更低，更易於控制。
- g) 使用電動工具、配件和工具刀頭等時，請遵循這些指示使用，且指示須包含工作環境和所要執行工作的注意事項。若使用電動工具執行與設計用途不相符的操作，會導致危險。
- h) 手柄和抓握表面都應保持乾燥、清潔及遠離油脂。光滑手柄和抓握表面不便於在意外情況下對工具進行安全處理與控制。

5) 電池工具的使用與注意事項

- a) 只能使用製造廠商指定的充電器為電池充電。使用僅適合一種電池組的充電器為其他類型的電池組充電會導致火災危險。
- b) 請使用原廠的電動工具電池組。使用其他非原廠的電池組會導致人身傷害和火災危險。
- c) 不使用電池組時，請將其遠離如週紋針、硬幣、鑰匙、釘子、螺絲以及其他可連通電池兩極的金屬物品。將電池兩極短路會導致灼傷或火災。
- d) 濫用電池的情況下，液體會從電池中噴出；避免與液體接觸。若不小心接觸液體，請用清水沖洗。若液體噴濺到眼睛上，沖洗之後還要進行治療。從電池噴出的液體會刺激皮膚或造成灼傷。
- e) 請勿使用已經損壞或改動的電池組或工具。損壞或改動的電池可能表現出不可預計的行為，導致火災、爆炸或傷害風險。
- f) 請勿讓電池組或工具暴露於火中或過高温度的環境中。暴露於火中或溫度超過 130°C 的環境中可能導致爆炸。
- g) 請遵循所有充電說明，請勿在說明中規定的溫度範圍以外的環境對電池組或工具充電。不當或在指定範圍以外的溫度下充電，可能導致電池損壞並增加火災危險。

6) 檢修

- a) 本電動工具必須由合格的維修人員並只採用相同的原廠零件來執行檢修。這將確保電動工具的安全性。
- b) 切勿維修損毀的電池組。電池組的維修應僅由製造商或授權服務提供商執行。

斜切軍刀鋸的額外安全說明

- 如果操作中，切削配件或緊固件可能觸及暗線，則要握住電動工具的絕緣握持面。切割配件如果接觸到“帶電”導線，電動工具金屬部件表面就會“帶電”，從而讓操作人員觸電。
- 請使用夾具或採取其他可行的方法，把工件牢牢地固定在穩定的平臺上。手持或用身體頂住工件都是不穩定的，會導致操作失控。
- 務必佩戴防塵面具。暴露於粉塵顆粒中會造成呼吸困難以及可能的傷害。
- 如果鋸片卡在工件中，或與材料接觸，絕不可啟動工具開關。
- 讓雙手遠離活動件。不可讓雙手接近切割區。
- 在進行頭頂上方的切割作業時，要格外小心，同時要特別注意頭頂上方的佈線。因為它們可能無法看見。預判樹枝和碎片的掉落路徑。
- 請勿長時間操作該工具。因操作該工具而產生的震動可能會對手指、手以及手臂造成永久性的傷害。帶好手套，提供額外緩衝，要注意休息，同時每天要限制使用時間。

啟動和關閉

- 關閉後，不可試圖用手指來停止鋸片。
- 不可將電鋸放在桌子或工作臺上，除非已經關掉開關。即使關掉開關，鋸片還是會繼續運行片刻。

在切割時

- 開始作業前，用木材切割專用鋸片從工件上移除所有釘子和金屬物件。
- 如有可能，用夾具和臺鉗將工件牢牢固定住。
- 請勿嘗試切割極小的工件。
- 請勿過分向前彎腰。確保務必站穩，尤其是在腳手架和梯子上作業時。
- 務必用雙手握著電鋸。
- 如要切割弧線和小容器，請使用經過調整的鋸片。

檢查和更換鋸片

- 僅使用產品隨附操作說明中指定規格的鋸片。
- 只可使用處於最佳狀態的鋒利鋸片；應丟棄出現破損或彎折的鋸片，並立即更換新鋸片。
- 確保鋸片安裝牢固。

剩餘風險

即使應用有關的安全規定並採用安全設備，仍然還有一些無法避免的剩餘風險。此類風險包括：

- 聽力受損。
- 飛散的顆粒引起的人身傷害風險。
- 操作過程中配件變熱引起的灼傷風險。
- 長時間使用引起的人身傷害風險。

妥善保存這些安全指示

DeWALT 充電器無需調節，專為盡可能輕鬆使用而設計。

電氣安全

電動馬達只適用一種電壓。請務必檢查電池組電壓是否與銘牌一致，並且確保充電器的電壓與電源電壓一致。

 DeWALT 充電器符合 IEC60335 雙重絕緣要求，因此無需使用接地線。

若電源線損壞，必須使用 DeWALT 維修機構提供的專用電線進行更換。

使用延長電纜

如非絕對必要，否則不要使用延長電線。請使用與充電器的輸入功率匹配的認可延長電纜（請參閱**技術資料**）。導體的最小橫截面尺寸為 1 平方公釐，最長為 30 米。

使用電纜捲筒時，每次必須把電纜完全展開。

所有電池充電器之重要安全指示

請妥善保管好這些說明：本手冊包含重要的相容電池充電器安全和操作說明（請參閱**技術資料**）。

- 在使用充電器之前，請先閱讀所有指示以及充電器、電池組和使用電池組的產品上的警告標記。



警告：觸電危險。切勿讓任何液體進入充電器，否則可能會導致觸電。



警告：建議使用漏電流額定值不超過 30mA 的漏電流保護裝置。



小心：燒傷危險。為了減低受傷風險，只可以使用 DeWALT 可充電電池。其他非原廠電池可能會爆裂，導致人身傷害和損害。



小心：必須監督兒童，確保他們沒有耍弄器具。

注意：在某些情況下，充電器連接到電源後，充電器內暴露的充電觸頭會被異物導致短路。導電的異物，包括但不限於鋼絲絨、鋁箔紙或任何由金屬粒子組成的物件，必須要遠離充電器範圍。充電器裡沒有電池組時，一定要拔掉充電器的電源。請先拔掉電源插頭後再清潔充電器。

- 請勿嘗試使用本手冊未提到的充電器為電池組充電。充電器和電池組是專為搭配使用而特別設計。
- 除了為 DeWALT 可充電電池充電之外，這些充電器不可以用於其他用途。否則可能會導致火災、觸電或觸電致死。
- 請勿將充電器暴露在雨或雪中。
- 中斷充電器的電源時，請拔除插頭而非拉扯電線。這樣會減低電源插頭和電線損壞的風險。
- 請確保電線的位置不會遭踐踏、令人絆倒或容易受到其他方式的損壞或受壓。
- 除非絕對需要，否則請勿使用延長電線。使用不適當的延長電線會引起火災、觸電或觸電致死。
- 請勿將任何物件放在充電器上面，或是把充電器放在可能會堵住通風槽的柔軟表面，導致充電器的內部過熱。請將充電器放到遠離熱源的位置。充電器透過外殼頂部及底部的槽散熱。
- 請勿操作電線或插頭損壞的充電器，請立即予以更換。
- 如果充電器受到重擊、墜落或出現其他損壞情況，請勿使用充電器，並應拿到授權維修中心修理。
- 請勿自行拆卸充電器。需要維護或修理時，請拿到授權維修中心。重新組裝不當可能會導致觸電、觸電致死或火災。
- 若電源線損毀，必須由製造商、服務代理或同等資質的人員立即更換以避免發生危險。

- 在清潔之前，請將充電器的插頭從電源插座上拔掉，這樣可以減低觸電風險。拆除電池組並不能夠降低這種風險。
- 切勿試圖將 2 個充電器連接在一起。
- 充電器是為標準 110 伏特的家用電源而設計。請勿試圖使用其他電壓。本規定不適用於車載充電器。

為電池充電 (圖 B)

1. 放入電池組前，先將充電器的插頭插入適當的插座。
2. 將電池組 6 放進充電器，確保電池組已完全放入。紅燈 (充電中) 會不斷閃爍，這表示充電程序已經開始。
3. 當紅燈持續亮起時，代表充電完成。此時，電池組的電力全滿，可以立即使用或是留在充電器裡。要從充電器上取下電池組，請按電池組上的電池釋放按鈕 7。

註：為了確保鋰離子電池組的效能及使用壽命最大化，在第一次使用電池組之前必須完全充電。

充電器操作

如需瞭解電池組的充電狀態，請參閱以下指示燈。

充電狀態指示燈



*紅燈會繼續閃爍，但在執行此操作期間黃色指示燈將亮起。電池組達到適當溫度後，黃色指示燈將熄滅，充電器將恢復充電程序。相容的充電器不會為有故障的電池組充電。充電器會透過不亮燈來表示電池組故障。

相容的充電器不會為有故障的電池組充電。充電器會透過不亮燈來表示電池組故障。

註：亦有可能是充電器發生故障。

如果充電器指示故障，請將充電器和電池組拿到授權維修中心進行測試。

電池組熱/冷延遲

若充電器偵測到電池組過熱或過冷，會自動啟動電池組熱/冷延遲，在電池組達到適合的溫度之前暫停充電。然後，充電器會自動轉換到電池組充電模式。此功能可確保電池組的使用壽命最大化。

冷電池組的充電速度大約是暖電池組的一半。在整個充電週期，電池組會以較慢的充電速度進行充電，即使電池組變暖，充電速度亦不會回復至最大充電速度。

電子保護系統


XR 鋰離子工具的設計具有電子保護系統，可保護電池組，避免過載、過熱或深度放電。

如果電子保護系統啟動，本工具會自動關閉。如果出現此情況，請將鋰離子電池組放進充電器直到電力全滿。

牆面安裝

這些充電器經過精心設計，可以安裝在牆面上或立在工作臺或工作表面上。若採用牆面安裝，請將充電器安裝在電源插座連接範圍內的位置，並遠離角落或可能阻礙空氣流動的障礙。將充電器的背面用作在牆面上確定安裝螺絲位置的型板。使用長度至少 25.4 公釐、螺頭直徑為 7-9 公釐的牆用螺絲 (另售) 牢固安裝充電器，旋進木料的最佳深度為螺絲大約有 5.5 公釐長度露在木料外。將露出的螺絲與充電器背面的槽對齊，並完全接合到槽中。

充電器清潔指示

-  **警告：觸電危險。**在清潔之前，請將充電器的插頭從電源插座上拔掉。使用軟布或非金屬軟刷，去除充電器外部的污垢和油脂。切勿讓任何液體滲入工具，切勿讓工具的任何部件浸在液體中。

電池組


所有電池組之重要安全指示


在訂購更換電池組時，請務必附上目錄型號和電壓。


包裝箱內的電池組並未完全充電。使用電池組和充電器之前，請閱讀下列安全指示，然後遵循所述的充電程式。


請閱讀所有指示

- **不要在易燃環境，如有易燃液體、氣體或粉塵的環境中進行充電或使用電池組。**將電池組放進充電器或從充電器中取出電池組可能會點燃粉塵或氣體。
- **切勿強行將電池組放進充電器。請勿以任何方式改裝電池組以在不相容的充電器中使用，否則電池組可能會破裂，導致嚴重人身傷害。**
- 請僅使用指定的 DeWALT 充電器為電池充電。
- **請勿將水分或其他液體飛濺到電池組或將電池組浸沒。**
- **請勿在溫度可能達到或超過 104°F (40°C) 的地方 (例如夏季時屋外的棚屋或金屬建築物) 儲存或使用本工具和電池組。**
- **即使電池組已嚴重損毀或磨損，也請勿焚燒電池組。**電池組可能會在火中爆炸。焚燒鋰離子電池組時會產生有毒氣體和物料。
- **若電池液體接觸到皮膚，請立即以中性肥皂與清水沖洗接觸範圍。**若電池液體進入眼睛，請睜開眼睛，用清水沖洗 15 分鐘或直到不適感消失為止。如果需要接受治療，電池的電解質由液化有機碳酸鹽和鋰鹽構成。
- **開啟的電池中的物質可能會導致刺激呼吸道。**請轉移至空氣流通處。如果症狀持續，請尋求醫療救助。


 **警告：灼燒危險。**電池液如遇到火花或火焰可能會引起燃燒。

 **警告：**不論是因為任何理由，都不要嘗試打開電池。如果電池組的外殼破裂或損毀，請勿放進充電器。切勿撞擊、摔落或損毀電池組。切勿使用受到重擊、墜落或出現其他損壞情況的電池組或充電器 (例如釘子刺穿、以鎚子敲打或踐踏)。否則可能會引起觸電或觸電致死。損毀的電池組應該送回維修中心進行回收。

 **警告：火災危險。**請勿在儲存或搬運電池組時讓金屬物件接觸暴露的電池兩極。例如，不要將電池組放在帶有鬆動的釘子、螺絲、鑰匙等的地方。

 **小心：不使用工具時，請將工具平放在沒有絆倒或跌落危險的穩定平面上。**一些具有大型電池組的工具可以直立但可能會輕易被撞到。

運輸

 **警告：火災危險。**搬運電池時若電池兩極意外接觸導電材料。運輸個別電池組時，請確保電池兩極受到保護並與可能接觸兩級並導致短路的材料隔絕。

注：鋰離子電池不應放在託運行李中。

DeWALT 電池符合行業和法律標準 (包括聯合國危險貨物運輸建議書、國際航空運輸協會 (IATA) 危險物品處理規則、國際海運危險物

品 (IMDG) 處理規則以及國際公路運送危險物品歐洲協議 (ADR)) 規定的所有適用運輸規章。鋰離子電池和電池組均已根據《聯合國危險貨物運輸建議書測試與標準手冊》第 38.3 節的規定進行測試。大多數情況下，不會將運輸 DeWALT 電池組分歸為完全管制的第 9 類危險品。一般只有在運輸中包含額定能量大於 100 瓦時 (Wh) 的鋰離子電池時，才會將其分歸為完全管制的第 9 類危險品。所有鋰離子電池外殼上均標註有瓦時等級。此外，由於規章的複雜性，DeWALT 不建議對鋰離子電池組單獨採用空運，不論其額定能量是多少瓦時，都是如此。若電池組的額定能量不超過 100 瓦時，可以同時空運工具與電池組 (組合套件)。

無論運輸是否納入完全管制範圍內，運輸方均有責任諮詢瞭解針對包裝、標籤/標記及單據要求的最新規定。手冊本節資訊基於良好商譽原則提供，在編製文件時被視為準確無誤，但不提供任何明示或暗示的保證。買方負有確保其行為遵守適用法規的責任。

儲存建議

1. 乾燥、涼爽、太陽不會直接照射、不會過熱或過冷的地方是電池組的最佳存放地點。為達到最大效能和使用壽命，不使用電池時請以室溫儲存電池組。
2. 如需長期儲存，建議將電力全滿的電池組從充電器卸下，儲存於涼爽、乾燥處，使電池組效能達到最佳。

注：電池組不應在電力耗盡的情況下儲存。在使用之前，電池組必須再次充電。

充電器和電池組上的標籤

除了本手冊的圖示之外，充電器及電池組上的標籤包含以下圖示：



使用前請閱讀使用手冊。



充電時間請見技術資料。



切勿插入導電體。



切勿為損毀的電池組充電。



切勿暴露在水中。



立即更換損壞的電線。



只在溫度介於 4°C 至 40°C 之間充電。



僅供室內使用。



棄置電池組時要顧及環保。



只使用指定的 DeWALT 充電器為 DeWALT 電池組充電。使用 DeWALT 充電器對指定的 DeWALT 電池以外的電池組充電會爆裂或導致其他危險情形。



切勿焚化電池組。

電池類型

DCS312 使用最大 10.8/12V 伏特電池組。這些電池組可用於：DCB122, DCB124, DCB125, DCB127。更多資訊請見 **技術資料**。

套裝內的物件

本套裝包括：

- 1 無線斜切軍刀鋸
- 1 工具箱 (C, D, L, M, P, S, T, X, Y, NT 型號)
- 1 充電器 (C, D, L, M, P, S, T, X, Y 型號)
- 1 鋰電池組 (C1, D1, L1, M1, P1, S1, T1, X1, Y1 型號)
- 2 鋰電池組 (C2, D2, L2, M2, P2, S2, T2, X2, Y2 型號)
- 3 鋰電池組 (C3, D3, L3, M3, P3, S3, T3, X3, Y3 型號)
- 1 使用手冊

注：N 型號不包括電池組、充電器和工具箱。NT 型號不包括電池組和充電器。B 型號包括 Bluetooth® 電池組。

注：Bluetooth® 文字標記和徽標是歸 Bluetooth®, SIG, Inc. 所有的註冊商標，DeWALT 對此類標記的任何使用均獲得許可。其他商標和商品名稱歸其各自所有者所有。

- 檢查集塵器、部件或附件是否在運輸過程中損壞。
- 操作前，請抽空仔細閱讀並掌握本手冊。

工具上的標誌

工具上會附帶下列圖示：



使用前請閱讀使用手冊。



請佩戴聽力保護器。



請佩戴護目鏡。



可見輻射。請勿直視光源。

日期代碼位置 (圖 B)

日期代碼 **10** 包括製造年份，已經印刷在工具外殼上。

範例

2020 XX XX

製造年份

說明 (圖 A, B)



警告：請勿改動本電動工具或其任何部件，否則可能導致損壞或人身傷害。

- 1 變速開關
- 2 鎖定按鈕
- 3 鋸片夾
- 4 底座
- 5 抓手
- 6 電池組
- 7 電池釋放按鈕
- 8 主要把手
- 9 工作燈
- 10 日期代碼

設計用途

您的 DCS312 無線斜切軍刀鋸為專業鋸切木材、金屬和管線而設計。其緊湊的設計使其能夠緊貼高難度區域進行切割。

請勿在潮濕有水或者存在易燃液體或氣體的環境下使用。此斜切軍刀鋸是專業的電動工具。

請勿讓兒童接觸此工具。缺乏經驗的操作人員需要在監督下使用本工具。

- **幼童和體弱者。**幼童和體弱者不適合在無監督下使用本工具。
- 體力、感覺或智力不足，以及缺乏經驗、知識或技能的人員（包括兒童）不適合使用本產品，除非一旁有能為他們安全負責的監督人員。請勿讓兒童單獨接觸本工具。

裝配與調整



警告：為了減低造成嚴重人身傷害的風險，在進行任何調整或取出/安裝附件或配件之前，請關閉裝置。意外啟動工具可能會造成傷害。



警告：請僅使用 DeWALT 電池組與充電器。

插入或取出工具上的電池組 (圖 B)

注：請確保您的電池組 **6** 已完全充電。

將電池組安裝到工具手柄中

1. 將電池組 **6** 對齊集塵器內的軌道 (圖 B)。
2. 將電池組滑入軌道內，使其牢牢地固定在工具內，並確保您聽到其鎖定到位的聲音。

從工具中取出電池組

1. 按下釋放按鈕 **7** 將電池組從工具手柄中穩妥地拉出。
2. 按本手冊充電器部分所述將電池組插入充電器中。

電量計電池組 (圖 B)

一些 DeWALT 電池組帶有包含三個綠色 LED 燈的電量計，可以指示電池組的剩餘電量。

若要啟用電量計，請按下並按住電量計按鈕 **12**。三個綠色 LED 燈將以組合方式亮起，以指示剩餘電量。電池電量低於可用限值時，電量計不會亮起，此時需要對電池充電。

注：電量計只指示電池組的剩餘電量。它並不指示工具功能，且根據工具組件、溫度和最終使用者的應用而有所不同。

變速開關 (圖 E)

鎖定按鈕和扳機開關

您的設備配有一個鎖定按鈕 **2**。

若要鎖定扳機開關，請按下左側的鎖定按鈕。在拿起或收納工具時，務必鎖定扳機開關 **1**，避免工具意外啟動。

若要解鎖扳機開關，請按下右側的鎖定按鈕。扣動扳機開關，啟動馬達。鬆開扳機開關，關閉馬達。



警告：該工具無法在“開”的位置鎖定開關，而且不可通過任何其他方式在“開”的位置鎖定。

變速開關將為您帶來更廣泛的用途。

越是用力扣下扳機開關，斜切軍刀鋸的轉速就越高。



注意：僅在開始切割時，才推薦使用低轉速。長時間保持低轉速可能會損壞您的斜切軍刀鋸。

工作燈 (圖 A)

在工具末端，靠近底座的地方有一個工作燈 **9**。

當扣下扳機開關，工作燈會亮起。當鬆開開關，工作燈會繼續亮 20 秒。

注：工作燈用作照亮眼前的作業表面，無法起到手電的功能。

更換或安裝新鋸片(圖 C, F)

警告：在安裝/拆卸鋸片前，請先取下電池。

我們提供不同長度的鋸片。根據應用場景，選用適當的鋸片。鋸片的長度不應超過90公釐，而且在切割時，應該超過底座和工件的厚度。請勿在該工具上使用線鋸的鋸片。

警告：切割危害。如果在切割時，鋸片沒有超過底座和工件，那麼可能會造成鋸片破損。可能會增加人身傷害，以及損壞底座工件的風險。

安裝鋸片

1. 將鋸片夾 **3** 擰到完全打開位置。
2. 將鋸片 **11** 完全插入鋸片夾中。
3. 鬆開鋸片夾，輕輕轉動鋸片，確保鋸片被夾牢。

注：可以反向安裝鋸片進行平切。參見圖F。

卸下鋸片

小心：灼燒危險。使用後，請勿立即觸碰鋸片。這可能會造成人員傷害。

1. 將鋸片夾 **3** 擰到完全打開位置。
2. 卸下鋸片 **11**。

操作

使用說明

警告：務必遵守安全指示和適用的規則。

警告：若要降低嚴重人身傷害的風險，請在運輸、進行調整、清潔、維修或卸下/安裝附件或配件之前，關閉工具並取出電池組或電源供應器。意外啟動工具可能會造成傷害。

正確的雙手放置位置(圖 D)

警告：為降低遭受嚴重人身傷害的風險，務必如圖示那樣正確放置雙手。

警告：為了減低造成嚴重人身傷害的風險，預期有突然反應時務必握緊。

正確的雙手放置位置是將一隻手放在主手柄 **8** 上。緊握工具 **5** 以控制其旋轉動作。

切割(圖 D, F-H)

警告：務必佩戴護目鏡。所有適用者和圍觀者必須佩戴經過批准的護目鏡。

警告：在面朝操作人員進行切割時，務必格外小心。在切割時，務必雙手握住電鋸。

在切割任何類型的材料時，確保其被牢固固定或夾住，防止打滑。將鋸片輕輕放在即將切割的工件上，啟動斜切車刀鋸的馬達並使其達到最高轉速，然後再開始用力切割。如有可能，必須將鋸的底座緊緊抵住被切割的材料。這樣可以防止鋸出現跳動或震動，將鋸片的損壞情況降到最低。任何向鋸片施加壓力的切割，例如斜角切割或滾動切割都會增加出現震動、彈回和鋸片損壞的可能性。

警告：在進行頭頂上方的切割作業時，要格外小心，同時要特別注意頭頂上方的布線。因為它們可能無法看見。預判樹枝和碎片的掉落路徑。

警告：檢查作業地點，了解隱藏的燃氣管、水管或電線，然後再進行盲切或直切。如果未能做到，可能會導致爆炸、財產損壞，和/或嚴重的人身傷害。

平切(圖 F)

電鋸馬達外殼和心軸外殼採用緊湊設計，使其能夠在地板、拐角和其他高難度區域進行近距離切割。

精細切割/直切——僅適用於木材(圖 D, G)

細切割的初始步驟是測量將要切割的表面積，並用鉛筆、粉筆或劃線器做好明確標記。根據應用場景，選用適當的鋸片。鋸片的長度應超過90公釐，而且在切割時，應該超過底座和工件的厚度。將鋸片完全插入鋸片夾中。

接下來，將電鋸向後傾斜，直到底座的後沿碰到作業表面，同時鋸片離開作業表面(位置1, 圖G)。現在，啟動馬達，提升電鋸轉速。根據圖D所示，握住電鋸把手，開始緩慢、小心地向上升攏，將底座的底部緊緊抵住工件

(位置2, 圖G)。鋸片開始切入材料。務必確保鋸片先完全切割材料，然後再進行精細切割。

注：在鋸片可見度受限的地方，可將鋸的底座的邊緣作為引導。切割範圍的劃線應該超出等待切割的邊緣。

金屬切割(圖 H)

根據所用的鋸片類型和所需切割的金屬類型，您的電鋸將展現出不同的金屬切割能力。請使用細鋸片切割含鐵金屬，使用粗鋸片切割非含鐵金屬。在薄鋼板上，最好從鋼板兩邊將木材夾住。這樣能讓切割乾淨利落，不會出現過度震動或金屬撕裂。謹記，請勿強行切割。這會縮短鋸片壽命，同時由此造成的鋸片破損會產生較高的成本。

注：一般建議，在切割金屬時，應該在切割前沿著劃線塗上一層薄薄的油膜或其他潤滑劑，讓操作更順暢，同時延長鋸片壽命。

維護

DEWALT 電動工具採用卓越的設計，能夠長時間使用，並且只需最少的維護。若要持續獲得滿意的操作效果，需進行正確的工具維護和定期的清潔。

警告：若要降低嚴重人身傷害的風險，請在運輸、進行調整、清潔、維修或卸下/安裝附件或配件之前，關閉工具並取出電池組。意外啟動工具可能會造成傷害。

充電器和電池組是不可檢修的裝置。



潤滑

本電動工具另需額外潤滑。



清潔

警告：每週至少一次使用清潔乾燥的空氣吹掉所有通風口與防護機制(若適用)內的塵埃和灰塵。若要最大程度降低眼部受傷的風險，在執行此步驟時請務必佩戴經核准的護目裝備與呼吸防護裝備。

警告：請勿使用溶劑或其他刺激性化學品來清潔工具的非金屬部件。這些化學品可能會削弱零件中使用的塑膠材料。只能使用抹布蘸中性肥皂水進行清潔。不要讓任何液體進入工具；不要讓工具的任何部分浸入液體中。

可選配件

警告：由於非 DEWALT 所提供的配件未在本產品上進行過使用測試，因此在本產品上使用這些配件可能會導致危險。為降低傷害危險，在本產品上只應使用 DEWALT 所推薦的配件。

如需進一步瞭解適用配件的相關資訊，請洽詢當地代理商。

保護環境



分類收集。帶有此標誌的產品和電池必須與一般家庭廢物分開處置。

產品和電池組包含可重複使用或回收的材料，可降低對原材料的需求。請根據當地法規回收電氣產品和電池。更多

資訊，請造訪 www.2helpU.com。

可充電電池組

本電池組使用壽命長，如無法完成理應輕鬆完成的工作時，必須為電池組充電。在使用壽命結束時，請妥善處置以保護我們的環境：

- 使電池完全放電，然後將它從工具中卸下。
- 鋰離子電池是可回收的。請將它們送往您的代理商或當地的回收站。所收集的電池組將會再循環利用或妥善處置。

進口商：新加坡商百得電動工具(股)公司台灣分公司

地址：台北市士林區德行西路33號2樓

電話：02-28341741

總經銷商：永安實業股份有限公司

地址：新北市三重區新北大道二段137號

電話：02-29994633

충전식 컷쏘

DCS312

축하합니다!

DeWALT 공구를 선택해 주셔서 감사합니다. DeWALT는 오랜 경험을 토대로 한 제품 개발 및 혁신을 통해 전문 사용자가 가장 인정하는 기업으로 자리잡아 왔습니다.

기술 데이터

		DCS312	
전압	V _{DC}	10.8V	(12V MAX)
배터리 유형		리튬 이온	
무부하 속도	분 ⁻¹	0~2800	
스트로크 길이	mm	16	
목재 / 금속 프로파일 / 플라스틱 튜브의 절단 용량	mm	90/40/90	
무게(배터리 팩 제외)	kg	1.38	



경고: 부상 위험을 줄이려면 사용 설명서를 숙지하십시오.

정의: 안전 지침

다음 정의는 각 경고 문구의 심각도를 설명합니다. 사용 설명서를 읽고 다음 기호들에 유의하십시오.



위험: 절박한 위험 상태를 나타내며, 방지하지 않으면 **사망 또는 심각한 부상을 초래합니다.**



경고: 잠재적 위험 상태를 나타내며, 방지하지 않으면 **사망 또는 심각한 부상을 초래할 수 있습니다.**



주의: 잠재적으로 위험한 상태를 나타내며, 방지하지 않으면 **경미하거나 가벼운 부상을 초래할 수 있습니다.**

참고: 신체 부상을 초래하지 않는 행위를 나타내며 방지하지 않으면 **재산상의 손해가 발생할 수 있습니다.**



감전 위험을 나타냅니다.



화재 위험을 나타냅니다.

배터리				충전기/충전 시간(분)							
카테고리 번호	V _{DC}	Ah	무게(kg)	DCB104	DCB107	DCB112	DCB113	DCB115	DCB118	DCB132	DCB119
DCB122	10.8 (최대12)	2.0	0.22	30	90	60	50	30	X	30	60
DCB124	10.8 (최대12)	3.0	0.25	45	140	90	70	45	X	45	90
DCB125	10.8 (최대12)	1.3	0.20	22	60	40	30	22	X	22	40
DCB127	10.8 (최대12)	2.0	0.20	30	90	60	50	30	X	30	60

전동 공구에 관한 일반 안전 경고



경고: 이 전동 공구와 함께 제공되는 모든 안전 경고와 지시사항, 설명 및 사양을 읽으십시오. 아래 설명한 모든 지시 사항을 따르지 않으면 감전, 화재 및/또는 심각한 부상을 초래할 수 있습니다.

항후 참고할 수 있도록 모든 경고 및 지시 사항을 보관해두십시오.

경고에서 사용된 "전동 공구"라는 용어는 주 공급 전원에 의해 전기가 공급되는(유선) 전동 공구 또는 충전식(무선) 전동 공구를 의미합니다.

1) 작업장 안전

- 작업장을 항상 청결하고 밝게 유지하십시오. 혼잡하거나 어두운 작업장에서는 사고가 발생하기 쉽습니다.
- 가연성 액체, 가스 또는 먼지 등이 있는 폭발성 대기에서 전동 공구를 사용하지 마십시오. 전동 공구에서 먼지나 가스를 발화시킬 수 있는 불꽃이 될 수 있습니다.
- 전동 공구로 작업하는 동안에는 어린이와 주변 사람들이 작업 영역에 가까이 들어오지 못하도록 하십시오. 주변이 산만해져 통제력을 잃을 수 있습니다.

2) 전기 안전

- 전동공구의 플러그는 콘센트와 형식이 일치해야 하며, 플러그를 어떤 형태로든 개조하지 마십시오. 또한 접지된 전동공구에 다른 어댑터 플러그를 사용하지 마십시오. 개조되지 않은 플러그 및 형식이 일치하는 콘센트를 사용하면 감전 위험이 줄어듭니다.

- 파이프 판, 라디에이터, 렌즈, 냉장고 등의 접지 표면에 물이 닿지 않도록 하십시오. 몸에 닿을 경우 감전이 될 위험이 높아집니다.
- 전동 공구를 비 또는 습한 환경에 노출하지 않도록 주의하십시오. 전동 공구에 물이 들어가면 감전 위험이 높아집니다.
- 코드를 함부로 다루지 마십시오. 코드를 사용하여 전동공구를 운반하거나, 코드를 과도하게 잡아당겨서 플러그를 뽑지 않도록 주의하십시오. 전열코드가 열기 또는 오일과 접촉되는 것을 피하고, 날카로운 모서리 또는 기기의 기동 부위에 닿지 않도록 주의 하십시오. 코드가 손상되거나 얽혀 있으면 감전 위험이 높아집니다.
- 전동 공구를 실외에서 사용할 때는 실외 사용에 적합한 연장 코드를 사용하십시오. 실외 사용에 적합한 코드를 사용하면 감전 위험이 줄어듭니다.
- 전동공구를 습한 공간에서 사용할 경우, 반드시 누전 차단기를 사용하십시오. 누전 차단기(RCD)를 사용하면 감전의 위험이 줄어듭니다. RCD를 사용하면 감전 위험이 줄어듭니다.

3) 신체 안전 사항

- 전동 공구로 작업할 때는 방심하지 말고 작업에 주의하면서 사식에 따르십시오. 피곤한 상태이거나 약물, 술, 치료제를 복용한 상태에서는 전동 공구를 사용하지 마십시오. 전동 공구를 사용하다 잠깐만 한 눈을 팔아도 심각한 부상을 당할 수 있습니다.
- 신체 보호 장비를 착용하십시오. 항상 보안경을 착용하십시오. 적절한 상황에서 방진 마스크, 미끄럼 방지 안전화,

안전도 또는 청력 보호 기구 등의 보호 장비를 사용하면 신체 부상 위험이 줄어듭니다.

- c) 의도하지 않은 장비 가동 방지. 전원 및/또는 배터리 팩에 연결한 상태로 공구를 선택 또는 운반할 때는 사전에 스위치가 꺼짐 위치에 있는지 반드시 확인하십시오. 스위치가 켜짐 위치에 있는 상태에서 스위치에 손가락이 닿은 상태로 전동 공구를 운반하거나 전동 공구에 전원을 공급하면 사고가 발생할 수 있습니다.
- d) 전동 공구를 켜기 전에 모든 조정 키 또는 렌치를 제거하십시오. 전동 공구의 회전 부품에 렌치가 끼가 부착되어 있으면 부상을 당할 수 있습니다.
- e) 무리하게 팔을 뻗지 마십시오. 항상 올바른 자세로 서서 균형을 유지하십시오. 안정된 자세로 작업을 할 경우 전동 공구를 안전하게 사용할 수 있습니다.
- f) 적절한 의복을 착용하십시오. 헐렁한 옷이나 장신구를 착용하지 마십시오. 머리카락과 옷이 움직이는 부품에 닿지 않도록 주의하십시오. 헐렁한 옷, 장신구 또는 긴 머리카락이 움직이는 부품에 걸릴 수 있습니다.
- g) 먼지 배출 및 집진 시설 연결을 위한 장치 가 제공된 경우, 이들 장치가 연결되어 적절히 사용되고 있는지 반드시 확인하십시오. 집진 장치를 사용하면 먼지와 관련된 위험을 줄일 수 있습니다.
- h) 장치를 자주 사용함으로써 생긴 익숙함으로 인해 현실에 अनु주하거나 공구 안전 원칙을 무시하지 않도록 하십시오. 부주의한 작동은 순식간에 심각한 부상을 야기할 수 있습니다.

4) 전동 공구 사용 및 관리

- a) 전동 공구에 무리한 힘을 가하지 마십시오. 해당 용도에 맞는 올바른 전동 공구를 사용하십시오. 올바른 전동 공구를 사용해야 설계된 속도로 작업을 더욱 안전하고 정확하게 수행할 수 있습니다.
- b) 켜지지 않거나 꺼지지 않는 경우 전동 공구를 사용하지 마십시오. 스위치로 제어되지 않는 전동 공구는 위험하므로 수리해야 합니다.
- c) 전동 공구를 조정하거나 액세서리를 변경하거나 보관하기 전에 전동 공구에서 분리되는 경우 전원에서 플러그를 뽑거나 또는 배터리 팩을 분리하십시오. 이러한 예방적 안전 조치를 따라야 전동 공구가 갑자기 작동할 위험이 줄어듭니다.
- d) 사용하지 않는 전동 공구는 어린이의 손이 닿지 않는 곳에 보관하고, 전동 공구나 본 지시 사항에 익숙하지 않은 사람이 전동 공구를 절대 사용하지 못하게 하십시오. 전동 공구는 훈련을 받지 않은 사용자가 다루면 위험합니다.
- e) 전동 공구 및 액세서리 유지 보수. 움직이는 부품의 잘못된 조정이나 바인딩, 부품 파손 및 기타 전동 공구의 작동에 영향을 미칠 수 있는 기타 모든 상태를 확인하십시오. 손상된 부분이 있는 경우 사용하기 전에 전동 공구를 수리하십시오. 많은 사고는 전동 공구를 제대로 유지 보수하지 않아 발생합니다.
- f) 공구를 깨끗한 상태로 유지하십시오. 절삭 가장자리를 예리하게 잘 유지하면 절삭기를 사용할 때 바인딩이 적고 다루기가 용이합니다.
- g) 작업 환경과 수행할 작업을 고려하여, 본 지시 사항에 따라 전동 공구, 액세서리 및 톨 비트 등을 사용하십시오. 본 사용 설명서의 내용과 다른 용도로 전동 공구를 사용하면 위험한 상황이 발생할 수 있습니다.
- h) 핸들과 잡는 표면은 건조하고 깨끗한 상태를 유지하고 오일/기름이 묻지 않도록 하십시오. 미끄러운 핸들과 잡는 면은

예기치 못한 상황에서 안전한 취급과 공구 관리를 보장하지 않습니다.

5) 배터리 공구 사용 및 주의 사항

- a) 다시 충전할 때는 제조업체에서 지정한 충전기만 사용하십시오. 하나의 배터리 팩 유형에 적합한 충전기를 다른 배터리 팩과 함께 사용할 경우 화재의 위험이 있습니다.
- b) 전동 공구를 사용할 때는 구체적으로 지정되어 있는 배터리 팩만 사용하십시오. 다른 배터리 팩을 사용하면 부상을 입거나 화재의 위험이 있습니다.
- c) 배터리 팩을 사용하지 않을 때에는 클립, 동전, 키, 못, 나사 등의 금속 물체나, 단자 간에 연결할 수 있는 작은 금속 물체가 닿지 않도록 멀리 두십시오. 배터리 단자가 단락되면 화상을 입거나 화재의 위험이 있습니다.
- d) 배터리를 과다 사용하면 액체가 배터리에서 흘러 나올 수 있으므로, 접촉을 피하십시오. 실수로 접촉한 경우에는 물로 씻으십시오. 액체가 눈에 들어간 경우 치료를 받으십시오. 배터리에서 나온 액체는 통증을 유발하거나 화상을 입힐 수 있습니다.
- e) 손상되거나 변경된 배터리 팩 또는 공구를 사용하지 마십시오. 손상되거나 개조된 배터리는 예측할 수 없는 작용을 보여, 화재, 폭발 또는 부상 위험을 야기할 수 있습니다.
- f) 배터리 팩 또는 공구를 불이나 과도한 온도에 노출하지 마십시오. 불 또는 130°C 이상의 온도에 노출되면 폭발할 수 있습니다.
- g) 모든 충전 지침을 따르고 배터리 팩 또는 공구를 설명서에 지정된 범위 밖의 온도에서 충전하지 마십시오. 적절하지 않게 충전하거나 지정된 범위 밖의 온도에서 충전하면 배터리가 손상되어 화재 위험이 증가될 수 있습니다.

6) 정비

- a) 자격을 갖춘 기술자가 동일 교체 부품을 사용하여 정비 작업을 수행해야 합니다. 그래야 전동 공구의 안전이 보장됩니다.
- b) 손상된 배터리 팩을 정비하지 마십시오. 배터리 팩은 제조업체 또는 공인 서비스 공급업체를 통해서만 점검을 받아야 합니다.

왕복 톱에 대한 추가 안전 지침

- 절단 부속품이 숨겨진 배선에 닿을 수 있는 작업을 수행 할 때는 절연 그림 표면으로 전동 공구를 잡으십시오. "실제"와이어에 접촉하는 절단 액세서리는 전동 공구의 금속 부분이 "실제"로 노출되어 작업자에게 감전 될 수 있습니다.
- 클램프 또는 다른 적절한 방식을 이용하여 안정된 작업대에 작업 공구들을 고정시키거나 지지하십시오. 작업물을 손으로 잡거나 몸으로 지탱하는 행동은 불안정하여 제어력을 잃을 수 있습니다.
- 항상 방진 마스크를 착용하십시오. 먼지 입자에 노출되는 경우, 호흡 곤란 및 부상의 원인이 될 수 있습니다.
- 톱날이 가공물에 걸리거나 재료에 닿을 때 공구를 켜지 마십시오.
- 움직이는 부품에서 손을 멀리하십시오. 손을 절단 영역 근처에 두지 마십시오.
- 가공선을 절단 할 때는 특히 주의를 기울이고 눈에 보이지 않는 가공선에 특히 주의하십시오. 떨어지는 가지와 잔해의 경로를 미리 예측하십시오.
- 이 도구를 장시간 사용하지 마십시오. 이 도구의 작동 동작으로 인한 진동은 손가락, 손 및 팔에 영구적 인 상해를 입힐 수 있습니다. 여분의 쿠션을 제공하기 위해 장갑을 사용하고,

자주 휴식을 취하십시오. , 매일 본 제품을 사용하는 시간을 제한하십시오.

전원 켜기/끄기

- 전원을 끈 후에는 절대 손가락으로 톱날을 멈추지 마십시오.
- 스위치를 끄지 않은 상태에서 톱을 테이블이나 작업대에 놓지 마십시오. 공구 전원을 끈 후에도 톱날이 일정한 시간동안 계속 작동합니다.

톱질 할 때

- 목재 절단 용으로 특별히 설계된 톱날을 사용하는 경우 작업을 시작하기 전에 공작물에서 손톱과 금속 물체를 모두 제거하십시오.
- 가능하면 클램프와 바이스를 사용하여 공작물을 단단히 고정하십시오.
- 매우 작은 공작물을 톱질하 지 마십시오.
- 너무 앞으로 구부리지 마십시오. 특히 발판과 사다리 위에 항상 단단히 서 있는지 확인하십시오.
- 항상 양손으로 톱을 잡으십시오.
- 커브와 포켓을 절단 할 때는 적합한 톱날을 사용하십시오.

톱날 점검 및 교체

- 이 사용 설명서에 포함 된 사양에 맞는 톱날 만 사용하십시오.
- 완벽한 작업 조건에서 날카로운 톱날 만 사용해야 합니다. 금이 가거나 구부러진 톱날은 폐기하고 즉시 교체해야 합니다.
- 톱날이 단단히 고정되어 있는지 확인하십시오.

기타 발생 가능한 위험

관련된 안전 규정을 준수하고 안전 장치를 사용한다고 해도 특정한 위험은 피할 수 없습니다. 이러한 위험은 다음과 같습니다.

- 정력 손상.
- 파편 날림으로 인한 신체 부상 위험.
- 작업 중 뜨거워지는 액세서리로 인한 화상 위험.
- 장시간 사용으로 인한 신체 부상의 위험.

본 지침을 잘 보관해 두십시오

충전기

DeWALT 충전기는 어떠한 조절 작업도 필요 없으며 최대한 작동하기 쉽게 설계되었습니다.

전기 안전

전기 모터는 한 가지 전압에만 맞추어 설계되었습니다. 배터리 팩 전압이 명판에 기재된 전압과 일치하는지 항상 확인하십시오. 또한 충전기의 전압이 주전원의 전압과도 일치하는지 확인하십시오.



DeWALT 충전기는 IEC60335 에 따라 이중 절연되어 있습니다. 따라서 접지선이 필요하지 않습니다.

전원 코드가 손상된 경우에는 DeWALT 또는 공인 서비스 센터를 통해서만 교체해야 합니다.

연장 케이블 이용

연장 코드는 가끔씩 사용하지 마십시오. 사용 중인 전원공급기 정격전원에 맞는 승인된 연장 코드를 사용하십시오 (**기술 데이터** 참조). 최소 도체 크기는 1mm², 최대 길이는 30m 입니다. 케이블 릴을 사용할 때는 항상 케이블을 완전히 푸십시오.

모든 배터리 충전기에 대한 중요한 안전 지침

본 지침을 잘 보관해 두십시오. 본 사용 설명서에는 호환이 되는 배터리 충전기에 대한 중요한 안전 및 작업 지침이 포함되어 있습니다 (**기술 데이터** 참조).

- 충전기를 사용하기 전에 충전기, 배터리 팩, 그리고 배터리 팩 관련 제품에 대한 지침과 주의 표시를 숙지하십시오.



경고: 감전 위험. 충전기 내부에 액체가 들어가지 않도록 하십시오. 감전될 수 있습니다.



경고: 정격 전류 전류가 30mA 미만인 누전 차단기를 사용하는 것이 좋습니다.



주의: 화상 위험. 신체 부상의 위험을 줄이려면 DeWALT 충전용 배터리로만 충전하십시오. 다른 유형의 배터리는 폭발로 인한 신체 부상과 손상을 초래할 수 있습니다.



주의: 어린이가 본 제품을 가지고 놀지 못하도록 항상 주시해야 합니다.

참고: 특정 조건에서, 충전기가 전원 공급기에 연결되어 있으면 충전기 내부에 노출된 충전 접점이 이물질에 의해 단락될 수 있습니다. 철부스러기, 알루미늄 호일, 금속 입자 축적물 등의 전도성 이물질은 충전기 캐비티에 닿지 않게 해야 합니다. 캐비티 안에 배터리 팩이 없을 경우 항상 배터리의 전원 공급기에서 충전기의 플러그를 뽑으십시오. 충전기를 청소할 때는 플러그를 뽑아야 합니다

- **본 사용 설명서에 명시된 충전기 외의 다른 충전기로 배터리 팩을 충전하지 마십시오.** 본 충전기와 배터리 팩은 함께 사용하도록 설계되었습니다.
- **이러한 충전기는 DeWALT 충전용 배터리 충전 이외의 용도로는 사용하지 않습니다.** 다른 용도로 사용하면 화재, 감전 또는 감전사의 위험이 있습니다.
- **충전기가 비나 눈을 맞지 않도록 하십시오.**
- **충전기를 분리할 경우 코드가 아니라 플러그를 뽑으십시오.** 그레아만 전기 플러그 및 코드 손상의 위험이 줄어듭니다.
- **코드가 밟히거나 걸리거나 기타 원인에 의해 손상되거나 압박을 받지 않도록 유의하십시오.**
- **불가피한 경우가 아니면 연장 코드를 사용하지 마십시오.** 연장 코드를 잘못 사용하면 화재, 감전 또는 감전사의 위험이 있습니다.
- **충전기 위에 물건을 올려놓거나 부드러운 표면에 충전기를 두면 환기 슬롯이 막혀 내부가 과열될 수 있습니다.** 충전기는 열원에 가까이 두지 마십시오. 충전기는 하우징의 상단과 하단에 있는 슬롯을 통해 환기됩니다.
- **코드나 플러그가 손상된 충전기를 작동시키지 마십시오** — 즉시 교체하십시오.
- **심한 충격을 받았거나 떨어뜨렸거나 어떠한 식으로든 손상된 경우에는 충전기를 작동시키지 마십시오.** 공인 서비스 센터로 가져가십시오.
- **충전기를 분해하지 마십시오.** 서비스나 수리가 필요한 경우에는 **공인 서비스 센터로 가져가십시오.** 잘못 제조하면 감전, 감전사 또는 화재의 위험이 있습니다
- 전원 코드가 손상된 경우 사고 방지를 위해 제조업체, 서비스 대리점 또는 이에 준하는 유자격 수리 기술자를 통해 즉시 교체하십시오.
- **청소하려면 먼저 충전기를 콘센트에서 분리하십시오. 그레아 감전 위험이 줄어듭니다.** 배터리 팩을 제거하는 것만으로 이러한 위험이 줄어들지는 않습니다.
- **절대로 충전기 두 개를 함께 연결하지 마십시오.**
- **충전기는 가정용 표준 전력(230V)으로 작동하도록 설계되어 있습니다. 다른 전압에서는 사용하지 마십시오.** 차량용 충전기는 제외됩니다.

배터리 충전 (그림 B)

1. 배터리 팩을 끼우기 전에 충전기를 적절한 콘센트에 꽂습니다.

- 충전기에 배터리 팩 6 을 끼우고 배터리 팩이 완벽히 장착되었는지 확인하십시오. 빨간색(충전 중) 표시등이 반박해서 깜박이면서 충전 프로세스가 시작되었음을 알립니다.
- 충전이 완료되면 빨간색 불이 계속 켜져 있습니다. 배터리 팩이 완전히 충전되면 바로 사용하거나 충전기에 그대로 둡니다. 배터리 팩을 충전기에서 분리하려면, 배터리 팩에 있는 배터리 탈착 버튼 7 을 누릅니다.

참고: 리튬이온 배터리 팩의 성능과 수명을 극대화하려면 처음 사용하기 전에 배터리 팩을 완전히 충전시키십시오.

충전기 작동

배터리 팩의 충전 상태는 아래 표시등을 참조하십시오.

충전 표시등	
 충전 중	
 완전 충전됨	
 냉/온 팩 지연*	

*빨간색 표시등이 계속 깜박거리지만, 노란색 표시등은 이 작동 동안 계속 켜져 있습니다. 배터리 팩이 적정 온도에 도달하면, 노란색 표시등이 꺼지고 충전기에서 충전 절차를 다시 시작합니다.

이 호환 충전기는 결함이 있는 배터리 팩은 충전하지 못합니다. 등이 켜지지 않도록 하여 배터리에 결함이 있음을 표시합니다.

참고: 이는 충전기 고장을 의미할 수도 있습니다.

충전기에 문제가 표시되는 경우 충전기와 배터리 팩을 공인 서비스 센터로 가져 가서 테스트를 받아 보십시오.

냉/온 팩 지연

충전기에서 너무 뜨겁거나 차가운 배터리 팩이 감지되면, 냉/온 팩 지연이 자동으로 시작되어 배터리 팩이 적절한 온도가 될 때까지 충전이 중단됩니다. 이 과정이 끝나면 충전기가 자동으로 팩 충전 모드로 전환됩니다. 이 기능은 배터리 팩 수명을 최대한으로 보장하기 위한 것입니다.

차가운 배터리 팩은 따뜻한 배터리 팩보다 더 느린 속도로 충전됩니다. 충전 사이클 전체에 걸쳐 배터리 팩은 이렇게 느린 속도로 충전되며 배터리 팩이 따뜻해지더라도 최대 충전 속도로 복원되지 않습니다.

전자 보호 시스템

XR 리튬이온 배터리 팩은 배터리에 과부하가 걸리거나 과열 또는 완전 방전되는 것을 방지하는 전자 보호 시스템으로 설계되었습니다. 이 공구는 전자 보호 시스템이 작동하면 자동으로 꺼집니다. 이러한 경우 리튬 이온 배터리가 완전히 충전될 때까지 충전기에 리튬 이온 배터리 팩을 넣으십시오.

벽 장착

이들 충전기는 테이블 또는 작업 표면에 똑바로 세우거나 벽에 장착할 수 있도록 설계되었습니다. 벽에 장착하는 경우, 충전기는 전기 콘센트에 닿을 수 있는 범위 내에 놓고, 공기 흐름이 방해될 수 있는 코너 또는 기타 장애물로부터 멀리 두십시오. 벽에서 장착 나사의 위치는 기본적으로 충전기의 뒤쪽을 사용하십시오. 나사 머리 직경이 7-9mm인 최소 25.4mm 길이의 석고보드 나사(별도 구매)를 사용해서 충전기를 단단히 장착하고, 노출된 나사의 약 5.5mm 를 남겨 두고 최적의 길이로 목재에 고정합니다. 충전기 뒤쪽의 구멍을 노출되어 있는 나사에 맞추고 구멍에 완전히 맞물리도록 하십시오.

충전기 청소 지침

경고: 감전 위험. 청소하려면 먼저 충전기를 AC 콘센트에서 분리하십시오. 형광이나 부드러운 비금속성 브러시로 충전기

외관 부분에 묻은 먼지 및 기름을 제거할 수 있습니다. 물이나 세척제를 사용하지 마십시오. 공구 내부에 액체를 넣거나 공구 부품을 액체에 담그는 행동은 절대 금물입니다.

배터리 팩

모든 배터리 팩에 대한 중요한 안전 지침

배터리 팩을 교체하기 위해 주둔할 때는 카탈로그 번호와 전압을 반드시 확인하고 표기해야 합니다.

배터리 팩은 포장박스에서 꺼낼 때 완전히 충전된 상태가 아닙니다. 배터리 팩과 충전기를 사용하기 전에 아래 안전 지침을 숙독하십시오. 그런 다음 설명된 충전 절차를 따르십시오.

모든 지시 사항을 읽으십시오

- 가연성 액체, 가스 또는 먼지 등 폭발 위험이 있는 환경에서 배터리를 충전하거나 사용하지 마십시오. 배터리를 끼우거나 충전기에서 분리할 때 먼지나 가스에 불이 붙을 수 있습니다.
- 충전기에 배터리 팩을 끼울 때 과도한 힘을 주지 마십시오. 어떤 형태로도 호환되지 않는 충전기에 사용하기 위해 배터리 팩을 개조하지 마십시오. 배터리 팩이 파열되어 심각한 부상을 유발할 수 있습니다.
- DEWALT 충전기에서만 배터리 팩을 충전하십시오.
- 물이나 기타 액체가 튀어 묻거나 액체에 빠지지 않도록 하십시오.
- 온도가 40 °C (104 °F)를 초과할 수 있는 곳(여름철 허름한 창고 또는 금속 건물 등)에 공구와 배터리 팩을 보관하거나 사용하지 마십시오.
- 배터리 팩이 심하게 손상되거나 완전히 낡았다더라도 절대 소각하지 마십시오. 배터리 팩은 불 속에서 폭발할 수 있습니다. 리튬이온 배터리 팩은 연소되면서 독성 연기와 물질을 발생시킵니다.
- 배터리 내용물이 피부에 닿으면 즉시 중성 세척제로 해당 부위를 씻으십시오. 배터리액이 눈에 들어갔을 경우, 15분 정도 또는 통증이 가실 때까지 눈을 뜨고 물로 씻어냅니다. 치료가 필요한 경우를 위해, 배터리 전해질은 액체 유기 탄산염과 리튬염의 혼합물로 구성되어 있음을 알아 두십시오.
- 열린 배터리 셀의 내용물은 호흡기 질환을 일으킬 수 있습니다. 신선한 공기를 마십시오. 증상이 계속되면 치료를 받으십시오.



경고: 화재 위험. 배터리액은 불꽃이나 화염에 노출되면 연소될 수 있습니다.



경고: 어떤 이유로든 배터리 팩을 절대 분해하지 마십시오. 배터리 팩 케이스가 깨지거나 손상되면 충전기에 넣지 마십시오. 배터리 팩을 문개거나 떨어뜨리거나 손상시키지 마십시오. 강한 충격을 받았거나, 떨어뜨렸거나, 차에 치였거나 기타의 원인으로 어떤 방식으로든 손상된 (못이 박히거나 맞지 않거나 발힘) 배터리 팩이나 충전기는 사용하지 마십시오. 감전 또는 감전사의 위험이 있습니다. 손상된 배터리 팩은 재활용을 위해 서비스 센터에 반환해야 합니다.



경고: 화재 위험. 배터리 팩을 보관하거나 휴대할 때는 노출된 배터리 단자에 금속 물체가 닿지 않도록 하십시오. 예를 들어, 못, 나사, 키 등이 있는 알침차, 주머니, 도구상자, 제품 키트 상자, 서랍 등에 배터리 팩을 두지 마십시오.



주의: 사용하지 않는 공구는 걸려 넘어지거나 떨어질 위험이 없는 안정된 표면에 놓여 두십시오. 배터리 팩이 큰 일부 공구들은 배터리 팩 위에 바로 서 있지만 쉽게 넘어질 수 있습니다.

운반



경고: 화재 위험. 배터리를 운반할 때 배터리 단자가 실수로 전도성 물질과 닿을 경우 화재 위험의 가능성이 있습니다. 배터리를 운반할 경우에는 배터리 단자가 보호되어 있고,

물체에 닿을 경우 단락을 일으킬 수 있는 물체로부터 제대로 절연되어 있는지 확인하십시오.

참고: 리튬이온 배터리는 검사된 수화물에 넣어야 합니다.

DeWALT 배터리는 UN의 위험물 운송에 관한 권고(Recommendations on the Transport of Dangerous Goods, RTDG), 국제 항공 운송 협회(IATA)의 위험물 규정, 국제해상위험물(International Maritime Dangerous Goods, IMDG) 규정 및 국제도로위험물품운송에 관한 유럽조약(European Agreement Concerning The International Carriage of Dangerous Goods by Road (ADR))을 포함하여 산업 표준 및 법적 기준에 따라 해당되는 모든 운송 규정을 준수합니다. 리튬 이온 전지 및 배터리는 위험 화물 테스트 및 기준 설명서에 대한 UN 권고 38.3항에 따라 테스트되었습니다.

대개의 경우에, DeWALT 배터리 팩 해상 운송은 완전 규제를 받는 Class 9 위험 물질로 분류되는 것에서 제외됩니다. 일반적으로, 에너지효율 등급이 100 와트시(Wh) 보다 큰 리튬 이온 배터리를 포함하는 수송품만 완전 규제를 받는 Class 9에 따라 운송되어야 합니다. 모든 리튬 이온 배터리에는 팩에 와트시 등급이 표시되어 있습니다. 뿐만 아니라, 규정의 복잡성으로 인해 DeWALT는 와트시 등급에 상관 없이 리튬 이온 배터리 팩을 단독으로 항공 운송하는 것을 권장하지 않습니다. 배터리 팩의 와트시 등급이 100 Whr 보다 크지 않을 경우는 제외되므로 배터리(폼보 키트)가 포함된 공구의 수송품은 항공 운송할 수 있습니다.

수송품이 예외로 고려되든지 또는 완전 규제를 받는지 여부와 상관 없이, 포장, 라벨링/표시 및 문서 요건에 관한 최신 규정을 찾아보는 것은 운송 회사의 책임입니다.

설명서의 본 섹션에서 제공하는 정보는 옳다고 믿고 제공되며 문서가 작성되었던 시기에는 정확한 것으로 간주됩니다. 단, 보증은 명시적이거나 함축적으로 제공되지 않습니다. 활동 시 해당 규정을 준수하는 것은 구매자의 책임입니다

보관 권장 사항

1. 보관 장소로는 직사광선을 받지 않고 지나치게 덥거나 춥지 않은 시원하고 건조한 곳이 가장 좋습니다. 최적의 배터리 성능과 수명을 위해, 사용하지 않을 때에는 배터리 팩을 실온에서 보관하십시오.
2. 장기간 보관하는 경우, 최적의 결과를 위해 완전히 충전된 배터리 팩을 충전기에서 분리하여 서늘하고, 건조한 장소에 보관하는 것이 좋습니다.

참고: 배터리 팩은 완전히 방전된 상태로 보관해서는 안됩니다. 사용 전에 배터리 팩을 재충전해야 합니다.

충전기 및 배터리 팩에 부착된 라벨

본 설명서에 사용된 그림 외에도 충전기 및 배터리 팩에 부착된 라벨에는 다음과 같은 그림이 표시되어 있습니다.



사용 전에 사용 설명서의 내용을 숙지하십시오.



충전 시간은 **기술 데이터를** 참조하십시오.



전도성 있는 물체로 시험하지 마십시오.



손상된 배터리 팩을 충전하지 마십시오.



물에 닿지 않도록 하십시오.



손상된 코드는 즉시 교체하십시오.



4 °C ~ 40 °C 사이에서만 충전하십시오.



실내 전용.



환경 보호 차원에서 배터리 팩을 폐기하십시오.

LI-ION



지정된 DeWALT 충전기뿐만 DeWALT 배터리 팩을 충전하십시오. DeWALT 충전기에 지정된 DeWALT 배터리 이외의 배터리 팩을 충전하면 폭발하여 다른 위험한 상황으로 이어질 수 있습니다.



배터리 팩을 소각하지 마십시오.

배터리 유형

DCS312 은 10.8 볼트 (최대 20V) 배터리 팩으로 작동됩니다. DCB122, DCB124, DCB125, DCB127이러한 배터리 팩을 사용할 수 있습니다. 자세한 정보는 **기술 데이터** 를 참조하십시오.

포장 내용물

포장에는 다음 내용물이 들어 있습니다.

- 1 무선 양복 톱
- 1 키트 박스 (C, D, L, M, P, S, T, X, Y, NT 모델)
- 1 충전기 (C, D, L, M, P, S, T, X, Y 모델)
- 1 리튬-이온 배터리 팩 (C1, D1, L1, M1, P1, S1, T1, X1, Y1 모델)
- 2 리튬-이온 배터리 팩 (C2, D2, L2, M2, P2, S2, T2, X2, Y2 모델)
- 3 리튬-이온 배터리 팩 (C3, D3, L3, M3, P3, S3, T3, X3, Y3 모델)
- 1 사용 설명서

참고: 배터리 팩, 충전기 및 공구박스는 N 모델에 포함되지 않습니다. 배터리 팩과 충전기는 NT 모델에 포함되지 않습니다. B 모델에는 Bluetooth® 배터리 팩이 포함됩니다.

참고: Bluetooth® 단어 마크 및 로고는 Bluetooth®, SIG, Inc.가 소유한 등록 상표이고 DeWALT는 허가 하에 그러한 모든 마크를 사용하고 있습니다. 기타 상표 및 상표명은 각 해당 소유주의 것입니다.

- 운반 중에 발생할 수 있는 공구, 부품 또는 액세서리의 손상 여부를 확인하십시오.
- 작동 전에 시간을 내어 본 사용 설명서를 읽고 숙지하십시오.

공구에 표시된 마크

공구에는 다음과 같은 그림이 있습니다.



사용 전에 사용 설명서의 내용을 숙지하십시오.



귀 보호 장구를 착용하십시오.



보안경을 착용하십시오.



가시 광선. 빛을 응시하지 마십시오.

날짜 코드 위치 (그림 B)

날짜 코드 **10**에는, 제조년도가 포함되어 이 제조년도는 케이스에 인쇄되어 있습니다.

예:

2020 XX XX
제조년도

설명 (그림 A, B)

! **경고:** 전동 공구 또는 전동 공구의 어떤 부품도 절대 개조하지 마십시오. 제품이 파손되거나 신체 부상을 당할 수도 있습니다.

- 1 가변 속도 트리거 스위치
- 2 잠금 버튼
- 3 블레이드 클램프
- 4 슈
- 5 핸들 그림
- 6 배터리 팩
- 7 배터리 분리 버튼
- 8 메인 핸들
- 9 작업용 조명
- 10 날짜 코드

용도

DCS312 무선 왕복 톱은 목재, 금속 및 튼튼의 전문 톱질을 위해 설계되었습니다. 컴팩트 한 디자인으로 까다로운 영역의 가장자리에 매우 가볍게 절단 할 수 있습니다.

습한 환경이나 가연성 액체 또는 가스가 있는 장소에서 사용하지 마십시오.

이 왕복 톱은 전문 전동 공구입니다.

어린이가 이 공구를 만지지 **않도록 하십시오**. 경험이 없는 작업자가 이 공구를 사용할 때는 감독자의 지도가 필요합니다.

- **어린이 및 노약자.** 본 제품은 어린이나 노약자가 사용하도록 설계되지 않았습니다. 이러한 사람이 사용할 때는 감독이 필요합니다.
- 본 제품은 안전 책임을 맡고 있는 사람이 감독을 하고 있지 않는 한 경험, 지식 또는 기술이 부족하고 신체적, 감각적 또는 정신적 능력이 미약한 사람(어린이 포함)이 사용하도록 고안된 것이 아닙니다. 이 제품과 함께 어린이만 혼자 두어서는 안됩니다.

조립 및 조정

! **경고:** 심각한 신체 부상의 위험을 줄이려면 공구를 조정하거나 부착물 또는 액세서리를 제거/설치하기 전에 공구를 끄고 배터리 팩을 분리하십시오. 공구가 갑자기 작동하여 부상을 당할 수 있습니다.

! **경고:** DeWALT 배터리 팩과 충전기만 사용하십시오.

배터리 팩 삽입 및 공구에서 배터리 팩 분리 (그림 B)

참고: 배터리 팩 **6** 이 완전히 충전되었는지 확인하십시오.

배터리 팩을 공구 핸들에 설치하려면

1. 공구 핸들 안쪽의 레일에 배터리 팩 **6** 을 맞춥니다 (그림 B)
2. 공구에 배터리 팩이 견고하게 장착될 때까지 핸들에 밀어 넣고 딸깍고 잠기는 소리가 들리는지 확인하십시오.

공구에서 배터리 팩을 분리하려면

1. 탈착 버튼 **7** 을 누르고 배터리 팩을 공구 핸들에서 완전히 빼냅니다.
2. 본 사용 설명서의 충전기 섹션에 설명된 대로 배터리 팩을 충전기에 삽입합니다.

잔량표시계 배터리 팩 (그림 B)

일부 DeWALT 배터리 팩에는 배터리 팩의 남아 있는 충전 레벨을 표시하는 세 개의 녹색 LED 등으로 구성된 연료계가 포함되어 있습니다.

잔량표시계를 작동시키려면, 잔량표시계 버튼 **12** 을 누릅니다. 녹색 LED 표시등 3 개가 조화되어 켜짐으로써 충전 잔량 수준을 나타냅니다. 배터리 잔량이 사용 가능한 한계치 미만이면 배터리 잔량표시계가 켜지지 않으므로 배터리를 재충전해야 합니다.

참고: 잔량표시계는 배터리 팩에 남아 있는 충전 레벨을 나타내는 것일 뿐입니다. 공구의 성능을 나타내는 것이 아니며 제품 구성품, 온도 및 최종 사용자의 용도에 따라 변경될 수 있습니다.

가변 속도 트리거 스위치 (그림 E)

잠금 버튼 및 트리거 스위치

톱에는 잠금 버튼 **2** 이 장착되어 있습니다

트리거 스위치를 잠그려면, 왼쪽의 잠금 해제 버튼을 누릅니다. 의도하지 않은 작동을 방지하기 위해 공구를 운반하거나 보관할 때는 항상 트리거 스위치 **1** 을 잠그십시오.

트리거 스위치를 잠금 해제하려면, 오른쪽의 잠금 해제 버튼을 누릅니다. 트리거 스위치를 닫겨 모터를 켭니다. 트리거 스위치를 해제하면 모터가 켜집니다.

! **경고:** 이 도구에는 스위치를 ON 위치에 잠그는 기능이 없으며 다른 방법으로 절대로 잠그면 안됩니다.

가변 속도 트리거 스위치는 다양한 기능을 제공합니다.트리거를 더 많이 누르면 톱의 속도가 빨라집니다.

! **주의:** 절단을 시작할 때만 매우 느린 속도를 사용하는 것이 좋습니다. 매우 느린 속도로 장시간 사용하면 톱이 손상 될 수 있습니다.

작업용 조명 (그림 A)

수 근처의 공구 끝에는 작업용 조명 **9** 이 있습니다. 트리거 스위치를 누르면 작업용 조명이 활성화됩니다. 트리거를 놓으면 작업등이 최대 20 초 동안 계속 켜져 있습니다.

참고: 작업용 조명은 작업대를 비추기 위한 것이며 손전등으로 사용되지는 않습니다.

블레이드 설치 및 제거 (그림 C, F)

! **경고:** 블레이드를 설치 / 제거하기 전에 배터리를 제거하십시오.

다른 블레이드 길이를 사용할 수 있습니다. 용도에 적합한 날을 사용하십시오. 날은 90mm 이상이어야 하며 절단 중 슈와 공작물의 두께를 지나 연장되어야 합니다. 이 도구와 함께 지그 톱 날을 사용하지 마십시오

! **경고:** 절단 위험. 절단 중에 블레이드가 슈와 공작물을 지나 확장되지 않으면 블레이드가 파손될 수 있습니다. 부상 및 작업 물 손상뿐만 아니라 부상의 위험이 증가 할 수 있습니다.

톱에 블레이드를 설치하려면

1. 날 클램프 **3** 을 완전 개방 위치로 비틀어 엽니다.
2. 블레이드 **11** 을 블레이드 클램프에 완전히 삽입하십시오.

3. 블레이드 클램프를 푼다. 날을 조심스럽게 잡아 당겨 날이 단단히 고정되도록 합니다.

참고 플러시 절단을 위해 블레이드를 거꾸로 설치할 수 있습니다. 그림 F를 참조하십시오.

톱에서 블레이드를 제거하려면

! **주의:** 화상 위험. 사용 직후에 날을 만지지 마십시오. 날에 닿으면 부상을 입을 수 있습니다.

- 열린 날 클램프 **3** 을 완전히 열린 위치로 돌리십시오.
- 블레이드 **11** 을 제거하십시오.

조작

사용 지침

! **경고:** 항상 안전 지시 사항과 해당 규정을 준수하십시오.

! **경고:** 심각한 신체 부상의 위험을 줄이려면 공구를 조정하거나 부착물 또는 액세서리를 제거/설치하기 전에 공구를 끄고 배터리 팩을 분리하십시오. 공구가 갑자기 작동하여 부상을 당할 수 있습니다.

올바른 손의 위치 (그림 D)

! **경고:** 심각한 신체 부상의 위험을 줄이려면 항상 그림과 같이 올바르게 손을 위치하십시오.

! **경고:** 심각한 신체 부상의 위험을 줄이려면, 항상 급작스러운 반응을 예상하고 확실하게 잡으십시오

어 올바른 손 위치는 메인 핸들 **8** 에 한 손, 또는 메인 핸들에 한 손, 핸드에 한 손이 필요합니다. 그림 **5**.

절단 (그림 D, F-H)

! **경고:** 항상 보안경을 착용하십시오. 모든 사용자와 방관자는 승인 된 보안경을 착용해야 합니다.

! **경고:** 작업자를 향해 절단 할 때는 특히 주의하십시오. 항상 양손으로 톱을 단단히 잡으십시오 절단하는 동안.

모든 유형의 재료를 절단하기 전에 미끄러지지 않도록 단단히 고정하십시오. 절단 할 작업에 날을 가볍게 놓고 톱 모터를 켜고 압력을 가하기 전에 최대 속도로 작동하도록 하십시오. 가능할 때마다 절단되는 재료에 톱 수를 단단히 고정시켜야 합니다. 이렇게 하면 톱이 튀거나 진동하는 것을 방지하고 날 파손을 최소화할 수 있습니다. 앵글 또는 스크롤 톱과 같이 블레이드에 압력을 가하는 것은 진동, 반동 및 블레이드 파손 가능성을 높일 수 있습니다.

! **경고:** 가공선을 절단 할 때는 특히 주의를 기울이고 보이지 않게 숨겨져있는 가공선에 특히 주의하십시오. 떨어지는 가지와 잔해의 경로를 미리 예측하십시오.

! **경고:** 블라인드 또는 플러시 절단을 하기 전에 작업장에서 눈에 보이지 않는 가스관, 수도관 또는 전선을 점검하십시오. 그렇지 않으면 폭발, 재산 피해, 감전 및 / 또는 심각한 부상을 초래할 수 있습니다.

플러시 절단 (그림 F)

톱 모터 하우징과 스피들 하우징의 컴팩트 한 디자인으로 바닥, 모서리 및 기타 까다로운 영역을 매우 가볍게 절단할 수 있습니다.

포켓/플 러시 절단-목재 만 (그림 D, G)

포켓 절단의 초기 단계는 절단 할 표면적을 측정하고 연필, 분필 또는 스크 라이버로 명확하게 표시하는 것입니다. 용도에 적합한 날을 사용하십시오. 블레이드는 90mm 보다 길어야 하며 절단 중 수와 공작물 두께를 지나서 연장되어야 합니다. 블레이드 클램프에 블레이드를 삽입하십시오.

다음으로, 슈의 뒤쪽 가장자리가 작업 표면에 놓여 블레이드가 작업 표면을 비을 때까지 톱을 뒤로 기울입니다 (위치 1, 그림 G). 그 다음으로 모터를 켜고 톱의 속도를 올립니다. 그림 D와 같이 그림 톱 슈의 바닥이 작업 물과 단단히 접촉하도록 톱의 손잡이로 천천히 고의적으로 위로 스윙을 시작하십시오 (위치 2, 그림 G). 블레이드가 재료에 적용되기 시작합니다. 포켓 절단을 계속하기 전에 항상 블레이드가 재료를 완전히 통과하는지 확인하십시오.

참고: 블레이드 시야가 제한적인 지역에서는 톱 슈의 가장자리를 가이드로 사용하십시오. 주어진 절단 선은 절단 모서리를 넘어야 합니다.

금속 절삭 (그림 H)

톱날은 사용되는 날의 종류와 절단 할 금속에 따라 금속 절삭 용량이 다릅니다. 비철금속의 경우에는 더 정밀한 날과 비철 재료의 경우에는 거친 날을 사용하십시오. 얇은 게이지 판금에서는 목재를 양쪽에 고정하는 것이 가장 좋습니다 이렇게 하면 과도한 진동이나 금속의 찌김이나 깨끗하게 절단할 수 있습니다. 블레이드 수명을 단축시키고 비용이 많이 드는 블레이드 파손을 유발하므로 항상 커링 블레이드를 강제로 사용하지 마십시오.

참고: 일반적으로 금속을 절단 할 때는 톱 절단 앞의 선을 따라 오일 또는 기타 윤활제를 얇게 펴서 작동하기 쉽고 블레이드 수명을 연장하는 것이 좋습니다.

유지 보수

DeWALT 전동 공구는 최소한의 유지 보수로 장기간에 걸쳐 작업이 가능하도록 설계되어 있습니다. 만족스러운 연속 작동은 적절한 공기 관리와 정기적인 청소에 따라 그 성능이 달라질 수 있습니다.

! **경고:** 심각한 신체 부상의 위험을 줄이려면 공구를 조정하거나 부착물 또는 액세서리를 제거/설치하기 전에 공구를 끄고 배터리 팩을 분리하십시오. 공구가 갑자기 작동하여 부상을 당할 수 있습니다.

충전기 및 배터리 팩은 수리할 수 없습니다.



윤활방법

전동 공구는 별도의 윤활 작업이 필요하지 않습니다.



청소

! **경고:** 통공구 속이나 주변에 먼지가 쌓여있는 것이 보이면 가능한 한 자주 건조한 공기를 이용하여 메인 하우징에서 먼지를 불어내십시오. 이 절차를 수행할 때에는 승인된 눈 보호 장구 및 승인된 방진 마스크를 착용하십시오.

! **경고:** 공구의 비금속성 부품을 청소할 때는 용제 등의 강력한 화학약품을 절대 사용하지 마십시오. 그렇지 않으면 이러한 부분에 사용된 재료가 약해질 수 있습니다. 형광에 물과 순한 비누를 적셔 닦아주십시오. 공구 내부에 액체를 넣거나 공구 부품을 액체에 담그는 행동은 절대 금물입니다.

선택 액세서리

! **경고:** DeWALT에서 제공하지 않은 액세서리는 본 제품에서 테스트되지 않았으므로 본 제품에서 이러한 액세서리를 사용하면 위험할 수 있습니다. 신체 부상의 위험을 줄이려면 본 제품에 알맞은 액세서리만 사용해야 합니다.

해당 액세서리에 대한 자세한 정보는 판매 대리점으로 문의하십시오.

환경 보호



분리 수거. 이 기호가 표시된 제품과 배터리를 일반 가정용 쓰레기와 함께 처리하면 안됩니다.

제품과 배터리에는 재용되거나 재활용되고 고철 자원에 대한 수요를 줄일 수 있는 자재가 포함되어 있습니다. 전기 제품과 배터리는 지역 규정에 따라 재활용하십시오. 자세한 내용은 www.2helpU.com 에서 찾아 볼 수 있습니다.

충전용 배터리 팩

이전에 쉽게 수행했던 작업에 대해 충분한 힘을 발휘하지 못하는 배터리 팩은 재충전해야 합니다. 배터리 수명이 다하면 환경 보호 차원에서 배터리 팩을 폐기하십시오.

- 배터리 팩을 완전히 사용하고 난 후 공구에서 분리하십시오.
- 리튬이온 전지는 재활용할 수 있습니다. 이 전지를 판매점이나 지역 재활용 센터로 가져가십시오. 수집된 배터리 팩은 재활용되거나 적절히 폐기됩니다.

정비 및 수리

DEWALT 는 고객들에게 가장 효율적이고 신뢰할 수 있는 서비스를 제공하기 위하여 훈련된 직원들로 센터를 구성하고 있습니다. 사용자의 안전 및 제품의 신뢰성을 보장하기 위하여 제품의 정비, 유지 보수 및 수리는 반드시 공인된 서비스센터에서 수행 해야 합니다. 자격이 없는 곳으로부터 받은 제품의 정비 및 수리는 사용자의 부상 위험 및 불이익을 초래할 수 있습니다. 가까운 DEWALT 서비스센터의 위치를 알아보려면, 제품과 함께 동봉된 전단을 통해 전화번호, 홈페이지 주소 및 기타 연락처 등을 확인 할 수 있습니다.